

400700 to 400799

Illustrated Parts List

Model Series

400700 to 400799

TYPE NUMBERS
0010, 0030, 0041, 0100, 0101,
0110 through 0131

TO FIND

THE CORRECT NUMBER OF THE PART YOU NEED:

FOLLOW THE INSTRUCTIONS BELOW

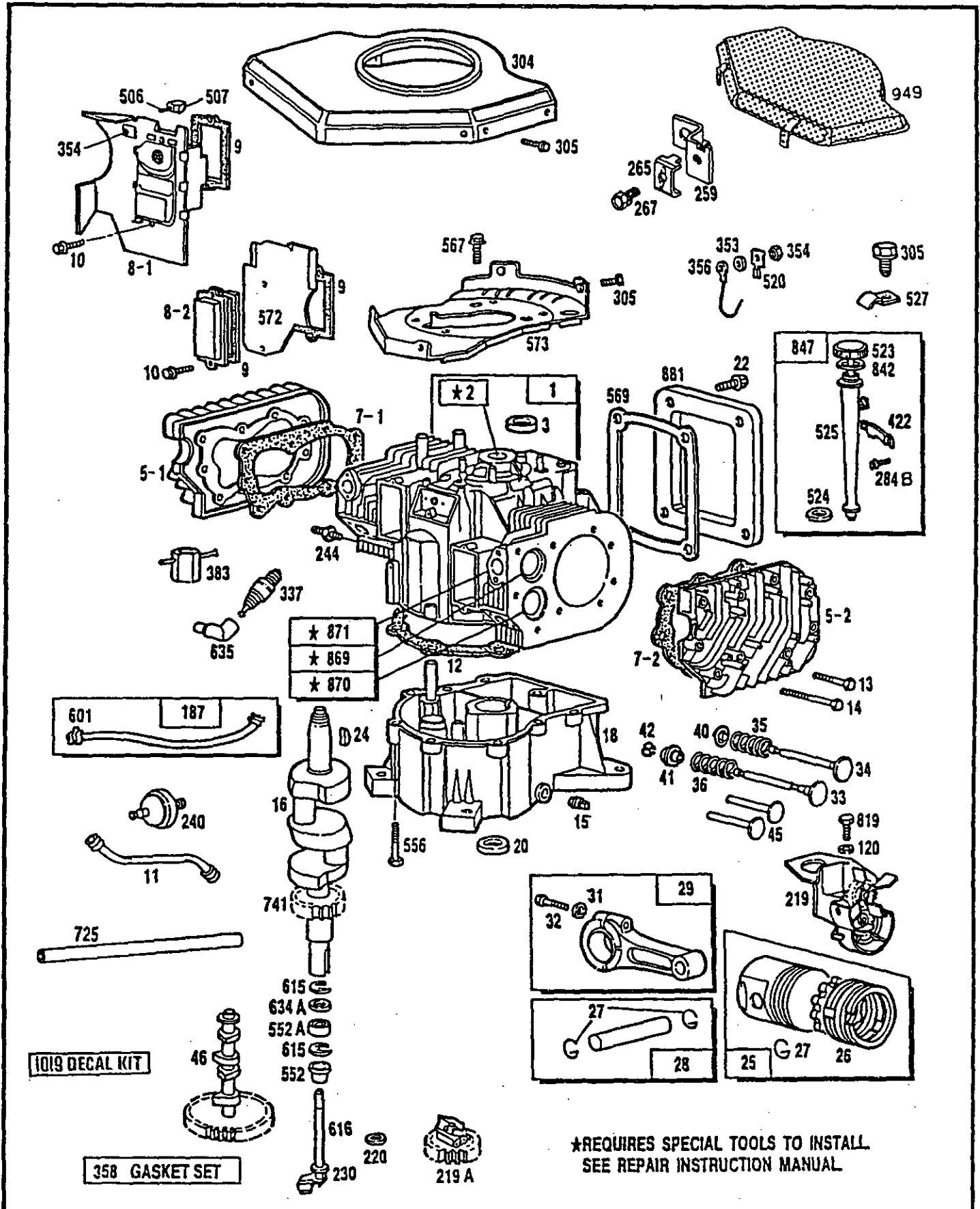
- A. Refer to Engine Model, Type and Code Number that is stamped on the blower housing of engine. Engine type numbers such as 012301 are listed herein only as 0123. The two digits (01 or 02, etc.) to the right of the space are not needed for parts identification. Then use the Illustrated Parts List covering the Model Series.
- B. Refer to Illustrated Parts section and compare the old part with illustration. The number on the illustration is the Reference Number. Assemblies include all parts shown in frames. All parts shown in assembly frames on which individual reference numbers are given can be purchased separately.
- C. After the Reference Number has been identified, refer to the Numerical Parts List, where Reference and Master Part Number are listed. THE MASTER PART IS USED ON ALL TYPE NUMBERS EXCEPT THOSE TYPE NUMBERS UNDER "NOTE".
- D. If a "Note" appears below the Master Part Number, this means that this part differs from the Master Part for certain types. If the Type number is listed under "Note", order the part referred to.
- E. If the Engine Type Number does not appear after any part number listed under "Note", use the Master Part Number.
- F. For Type Numbers higher than those covered by this book, please refer to the factory if you are unable to identify the part by comparison.

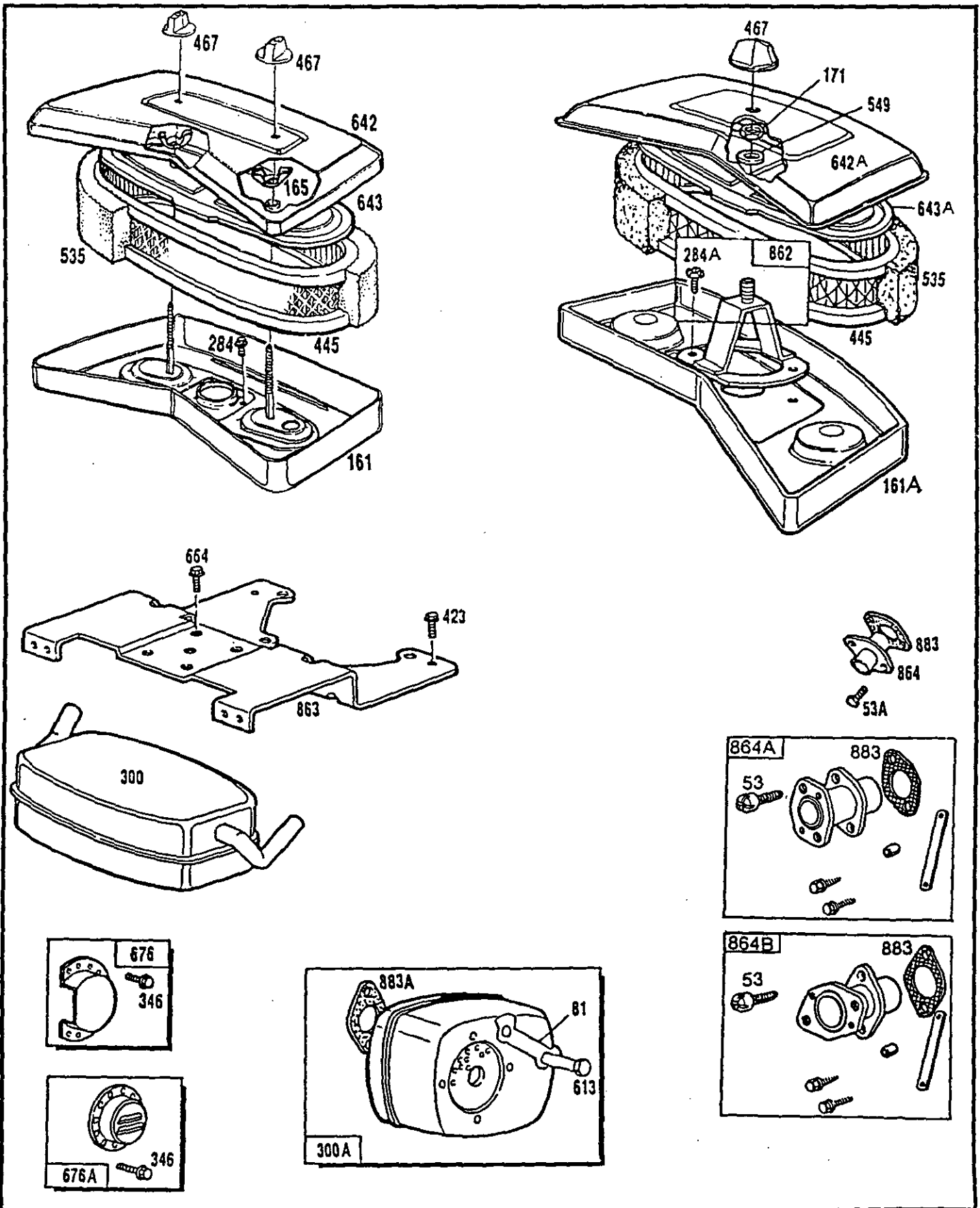
PRINTED IN U.S.A.

COPYRIGHT ©



400700 to 400799



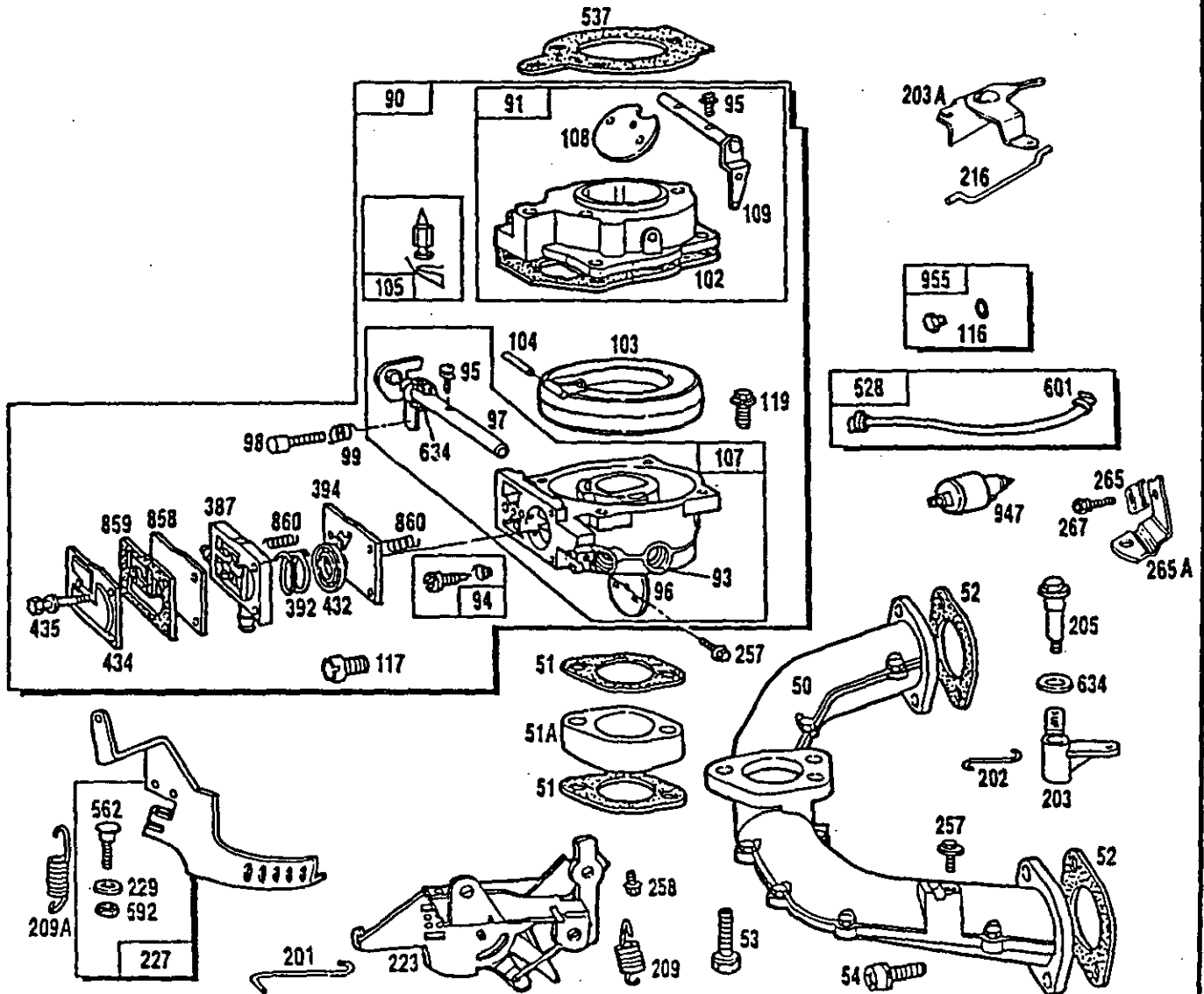


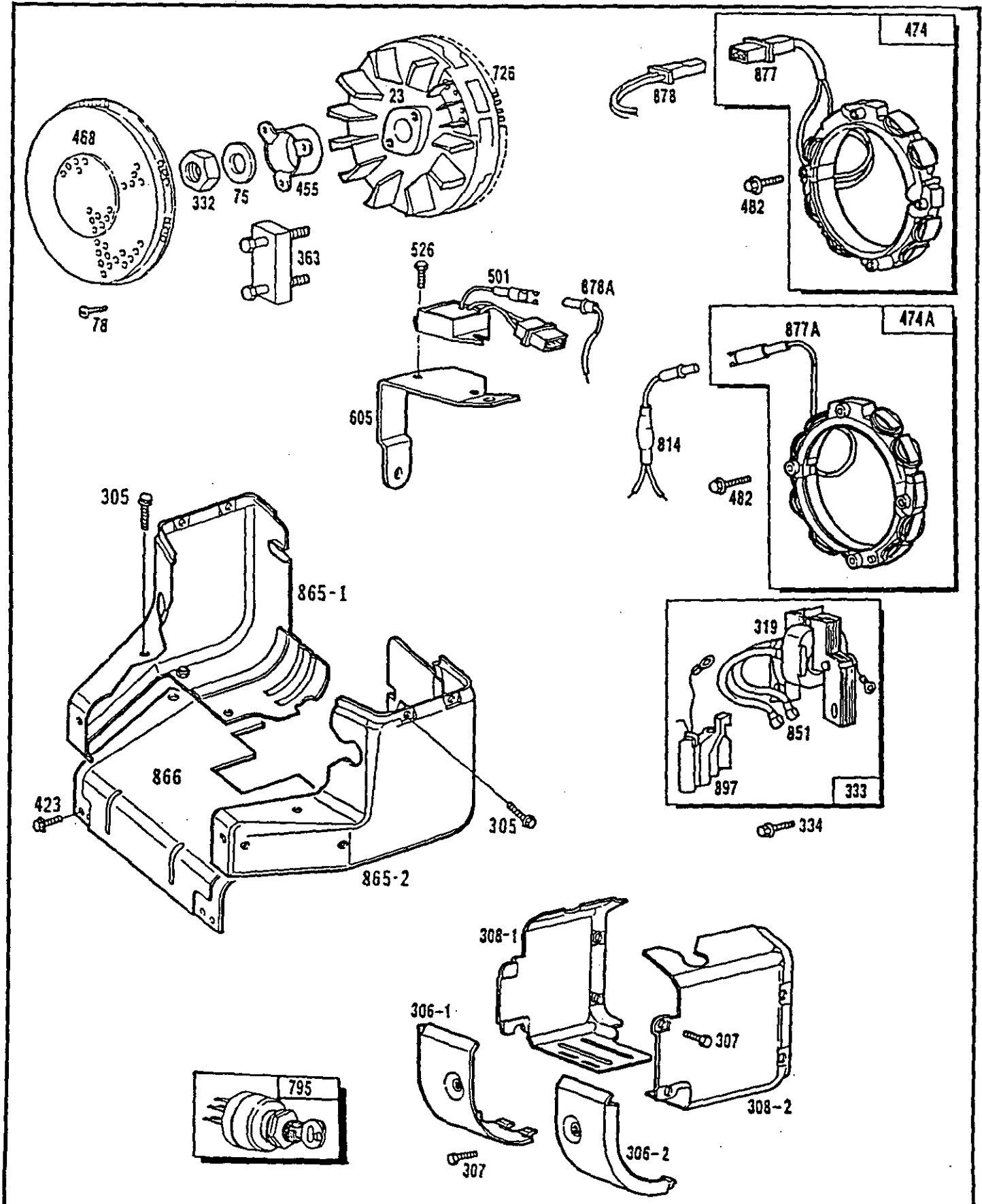
400700 to 400799

358 GASKET SET

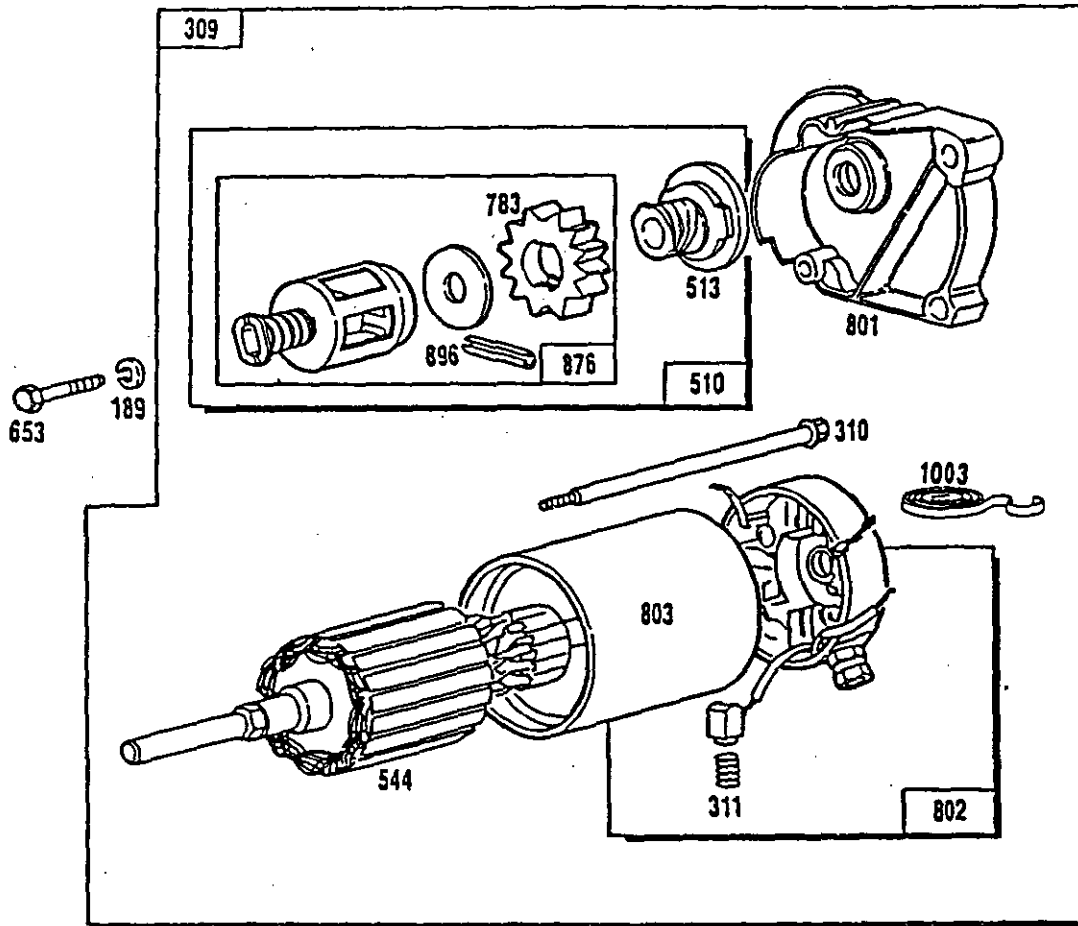
861 PUMP REPAIR KIT

121 CARBURETOR OVERHAUL KIT





400700 to 400799



Reference Number		309	310	311	544	801	802	803	1003
Manufacturer		Motor and Drive Ass'y.	Thru Bolt Assembly	Brush Assembly	Armature Assembly	Drive End Cap Assembly	End Cap Ass'y. Commutator	Housing Assembly	Brush Spring
Briggs & Stratton	Housing Length								
	12V 3-5/8"	394808	94003	395538	390837	394860	395537	393825	-
	12V 4-1/2"	399928	94169	490311	490309	394860	490310	399172	490316

Reference Number	510	513	783	876	896
Starter Motor Mfr.	Starter Drive Group	Clutch Assembly	Gear	Pinion Spring Kit	Roll Pin
Briggs & Stratton	396865	391135	280104	393254	93754

400700 to 400799

REF. NO.	PART NO.	DESCRIPTION	REF. NO.	PART NO.	DESCRIPTION	REF. NO.	PART NO.	DESCRIPTION
1	394941	Cylinder Assembly		394956	Piston Assy.—.010" O.S.			91488 Plug—Pipe Used on Type Nos. 0030, 0116.
2	261623	Bearing—Cylinder		394957	Piston Assy.—.020" O.S.			
3	391086	Seal—Oil		394958	Piston Assy.—.030" O.S.			
5-1	212461	Head—Cylinder #1				51	*† 271412	Gasket—Carburetor & Intake Elbow
5-2	212462	Head—Cylinder #2				51A	280319	Spacer—Carburetor
7-1	* 270984	Gasket—Cylinder Head #1				52	* 270884	Gasket—Intake Manifold Mtg.
7-2	* 270983	Gasket—Cylinder Head #2				53	93970	Screw—Hex. Head (Carb. to Manifold)
8-1	393370	Breather Assembly #1				53A	93415	Screw—Hex. Head
8-2	222892	Cover—Breather Cylinder #2 (Used only on Ref. 572 Air Baffle with Holes for Mounting)				54	93208	Screw—Intake Manifold Mtg. Sem
9	* 27803	Gasket—Valve Cover				75	222511	Washer—Spring
10	93394	Screw—Sem				78	93805	Screw—Sem
11	280225	Tube—Breather				81	223016	Lock—Muffler Screw
12	* 271142	Gasket—Crankcase Cover—1/64" thick				90	399229	Carburetor Assembly (Remote Choke)
	* 271188	Gasket—Crankcase Cover—.005" thick					Note:	398107 Carburetor Assy. (Used before Code Date 87020200.)
	* 271189	Gasket—Crankcase Cover—.009" thick				91	399327	Body Assembly— Upper Carburetor
13	93111	Screw—Cylinder Head (1-15/16" long)					Note:	399534 Body Assy.— Upper Carburetor (Used after Code Date 85082500 and before Code Date 87020200.)
14	93113	Screw—Cylinder Head (2-5/16" long)						398108 Body Assy.— Upper Carburetor (Used before Code Date 85082600.)
15	91084	Plug—Oil Drain				93	231209	Bushing—Throttle Shaft
16	393382	Crankshaft Note: Order 94196 Key or 231160 Pin for Timing Gear Retaining Device. 393523 Crankshaft Used on Type Nos. 0101, 0113, 0120, 0125.				94	† 292681	Valve Assembly— Carburetor Idle
18	393552	Base Assembly— Crankcase				95	93499	Screw—Throttle and Choke Valve Mtg. Sem
20	291675	Seal—Oil				96	223370	Valve—Throttle
22	93882	Screw—Crankcase Cover Mtg. Sem				97	392672	Shaft and Lever— Throttle
23	392956	Flywheel and Ring Gear Assy.—Magneto Note: 393480 Flywheel and Ring Gear Assy.— Magneto Used on Type Nos. 0030, 0116, 0128, 0131.				98	91920	Screw—Machine, Fil Hd.—8-32 x 5/8"
24	222698	Key—Flywheel				99	26157	Spring—Throttle Adjustment
25	394955	Piston Assy.—Standard				102	† 271609	Gasket—Carburetor Body
						103	298514	Float—Carburetor
						104	† 230896	Pin—Float Hinge
						105	† 394681	Valve—Fuel Inlet

* Included in Gasket Set—Part No. 394501.

† Included in Carburetor Overhaul Kit—Part No. 394502.

400700 to 400799

REF. NO.	PART NO.	DESCRIPTION	REF. NO.	PART NO.	DESCRIPTION	REF. NO.	PART NO.	DESCRIPTION
107	399625	Body—Lower Carburetor (Used after Code Date 85082500.)	240	394358	Filter—Fuel (In Fuel Line to Tank)	394	‡ 270988	Diaphragm
	Note:	398106 Body—Lower Carburetor (Used before Code Date 85082600.)	244	230318	Connector—Impulse Pump	422	222875	Clamp—Oil Filler
108	223534	Valve—Choke (Used after Code Date 85082500.)	257	93897	Screw—Sem	423	93876	Screw—Sem
	Note:	222010 Valve—Choke (Used before Code Date 85082600.)	258	93158	Screw—Sem	432	‡ 221377	Cap—Spring
109	392673	Shaft and Lever—Choke	259	223890	Bracket—Cable	434	222615	Cover—Diaphragm
116	280474	O-Ring	265	221535	Clamp—Casing	435	93829	Screw—Diaphragm Cover
117	231339	Jet—Needle Valve (Fixed)	265A	223893	Bracket—Control Cable	445	394019	Cartridge—Air Cleaner
	Note:	231337 Jet—Needle Valve (Fixed) (High Altitude)	267	93496	Screw—Hex. Hd.	455	222674	Cup—Screen Mounting
119	94152	Screw—Hex. Hd. Sem (10-32 x 3/4")	284	94166	Screw—Hex. Hd.	467	212706	Knob—Air Cleaner
120	92290	Washer—Lock No. 10 x 1/16 x 3/64	284A	93893	Screw—Sem	468	222673	Screen—Flush Rotating
121	394502	Carburetor Overhaul Kit	284B	93469	Screw—Hex. Hd.	474	393474	Stator—Alternator (Dual Circuit)
161	398826	Body—Air Cleaner	300	394164	Muffler—Exhaust		Note:	393295 Stator—Alternator (16 Amp) (Uses Ref. 878A)
161A	222861	Body—Air Cleaner	300A	394237	Muffler—Exhaust	474A	392595	Stator—Alternator (Tri-Circuit)
165	94289	Nut—Wing	302	261409	Locknut—Muffler	482	93621	Screw—Sem
171	93715	Nut—Hex.	304	393287	Housing—Blower	501	394890	Regulator—Alternator (A.C. or D.C.) (16 AMP)
187	299146	Line—Fuel (28") Cut to Required Length	305	93158	Screw—Sem	506	231174	Terminal
	Note:	393815 Line—Fuel (11") Cut to Required Length	306.1	222846	Shield—Cylinder	507	280180	Grommet—Insulator
189	90366	Lockwasher	306.2	222847	Shield—Cylinder	520	93722	Terminal—Spade
201	261586	Link—Governor		Note:	223784 Shield—Cylinder Used on Type Nos. 0010, 0030.	523	394020	Cap and Dipstick—Oil Filler
202	261587	Link—Throttle	307	93163	Screw—Sem	524	271157	Seal—Filler Tube
203	280320	Crank—Bell	308.1	222848	Cover—Air Guide	525	280224	Tube—Oil Filler
203A	490207	Crank—Bell	308.2	222849	Cover—Air Guide	526	93343	Screw—Regulator
205	93971	Screw—Hex. Head	309		Motor—Starting See Chart for Replacement Parts for Starting Motors on Illustrated Pages.	527	223167	Clamp—Fuel Pipe
209	261720	Spring—Governor	319	394988	Armature Assembly	528	393815	Impulse Line and Clamp Assembly
209A	261563	Spring—Governor Idle	332	230674	Nut—Hex.	535	271271	Element—Air Cleaner
216	223841	Link	333	394891	Armature Group (MAGNETRON® Ignition)	537	*† 271411	Gasket—Air Cleaner
219	393415	Oil Slinger Assembly	334	93381	Screw—Armature Mtg. Sem	549	271180	Washer
219A	394348	Gear—Governor	337	394539	Plug—Spark (Resistor)	552	261559	Lower Bushing—Governor
220	222773	Washer—Thrust	346	93705	Screw—Sem (8-32 x 3/8)	552A	261560	Upper Bushing—Governor
223	394538	Plate Assembly—Governor Control	353	92791	Washer—Lock—Shakeproof	556	93585	Screw—Hx. Hd. Sem
227	394470	Lever Assy.—Governor	354	90576	Nut—Hex.—8-32		Note:	93730 Stud 90366 Lockwasher 22963 Washer Used on Type Nos. 0110, 0112, 0114, 0117, 0121.
229	222289	Washer	356	391115	Wire—Ground	562	93853	Bolt—Governor Lever
230	220863	Washer—Gov. Crank (Inside)	358	394501	Gasket Set	567	93777	Screw—Hex. Head (Back Plate to Cyl.)
			363	19203	Puller—Flywheel (Optional Accessory)	569	* 270981	Gasket—Crankcase
			383	89838	Wrench—Spark Plug	572	222912	Baffle—Air (Cyl. #2)
			387	280197	Body—Pump	573	392934	Back Plate Assembly
			392	‡ 261395	Spring—Pump			

* Included in Gasket Set—Part No. 394501.

† Included in Carburetor Overhaul Kit—Part No. 394502.

‡ Included in Carb. Overhaul Kit—No. 394502 and Pump Repair Kit—No. 393397.

400700 to 400799

REF. NO.	PART NO.	DESCRIPTION	REF. NO.	PART NO.	DESCRIPTION	REF. NO.	PART NO.	DESCRIPTION
592	92278	Nut—Hex.—10-24	864A	490358	Adaptor Assy.—Muffler (Cyl. #1)			
601	93053	Clamp—Fuel Line	864B	490357	Adaptor Assembly—Muffler (Cyl. #2)			
605	222959	Bracket—Regulator	865.1	393288	Cover Assembly—Air Guide (Cyl. #1)			
613	93927	Screw—Muffler Mtg.	865.2	393289	Cover Assembly—Air Guide (Cyl. #2)			
615	93851	Retainer—E-Ring		Note:	399932 Cover Assembly—Air Guide (Cyl. #2)			
616	394349	Crank—Governor			Used on Type No. 0041.			
634	† 271013	Washer (Throttle Shaft)	866	393285	Top Plate Assembly			
634A	271316	Foam Seal—Governor Shaft	869	261463	Seat—Intake Valve (Standard)			
635	66538	Elbow—Spark Plug	870	210940	Seat—Exhaust Valve (Standard)			
642	223579	Cover—Air Cleaner	871	261961	Guide—Exhaust Valve (Only)			
642A	223002	Cover—Air Cleaner		Note:	231218 Guide—Intake (Brass)			
643	223714	Cartridge Plate—Air Cleaner			See Repair Manual			
643A	222859	Cartridge Plate—Air Cleaner	877	393456	Diode and Connector Assembly			
653	91162	Screw—Hex. Hd.—(5/16-18 x 1-1/2")	877A	393537	Connector Assembly (Tri-Circuit)			
664	93343	Screw—Sem	878	393362	Alternator Harness Assy. (Dual Circuit)			
676	393761	Deflector—Muffler (Side Outlet)	878A	393422	Alternator Harness Assembly			
676A	397630	Deflector—Muffler (Louvered Outlet)	881	222860	Cover Plate—Crankcase			
725	280692	Shield—Heat	883	271174	Gasket—Exhaust			
726	391362	Gear—Flywheel Ring (Includes Mounting Parts)	883A	270917	Gasket—Exhaust			
741	262221	Gear—Timing (Used with Key)	897	394970	Trigger Coil Assy. MAGNETRON® Ignition			
	Note:	231321 Gear—Timing (Used with Pin)	947	397266	Solenoid			
795	490066	Switch Assy.—Key	949	393330	Screen—Static Guard			
814	392606	Diode and Connector Assembly—Alternator (Tri-Circuit)	955	397882	Plug and Seal—Solenoid			
819	93686	Screw—Hex. Hd. (10-32 x 5/8")	1019	491260	Decal Kit			
842	271170	Seal—Oil Filler Cap						
847	394394	Dipstick and Tube Assembly						
851	221798	Terminal—Ignition Cable						
858	‡ 270989	Diaphragm—Damping						
859	‡ 271025	Gasket—Carb. Pump						
860	‡ 261358	Spring (2)						
861	393397	Repair Kit—Pump						
862	394546	Mounting Strap Assy.—Air Cleaner						
863	222865	Bracket—Muffler						
864	393483	Line Assembly—Exhaust Port						

† Included in Carburetor Overhaul Kit—Part No. 394502.

‡ Included in Carb. Overhaul Kit—No. 394502 and Pump Repair Kit—No. 393397.

