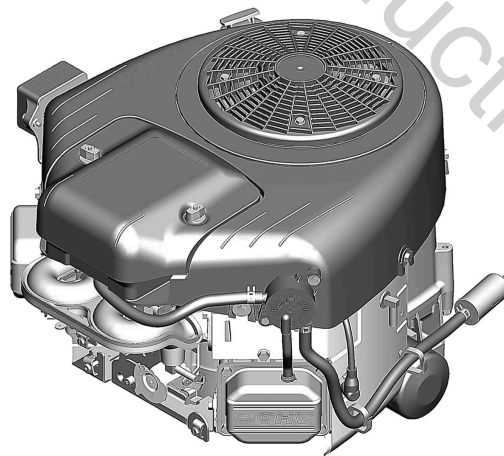
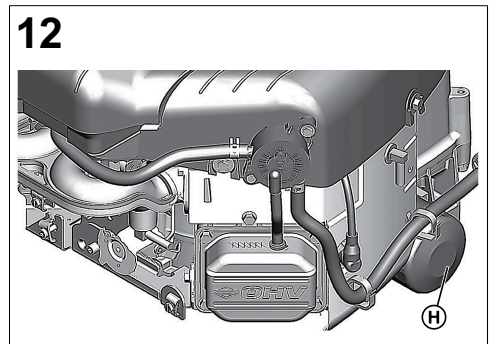
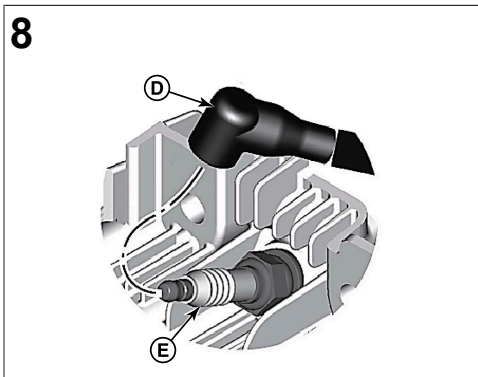
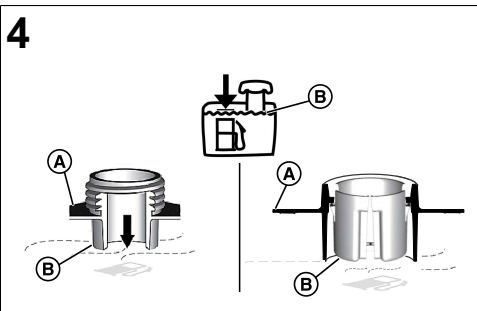
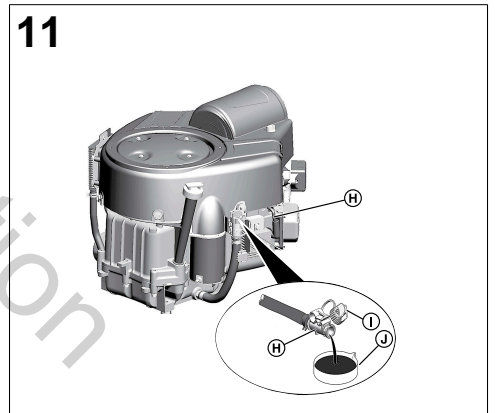
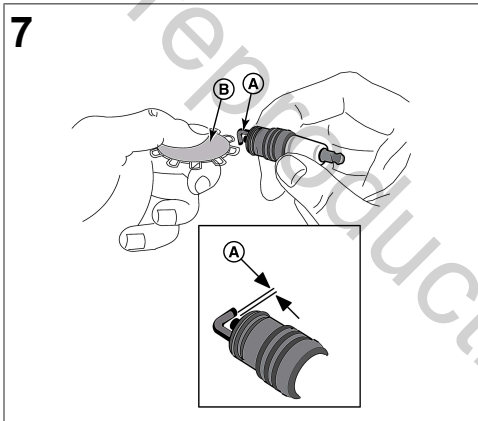
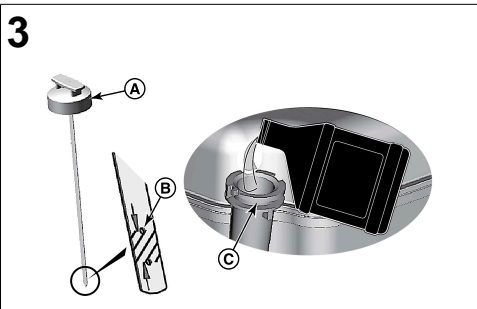
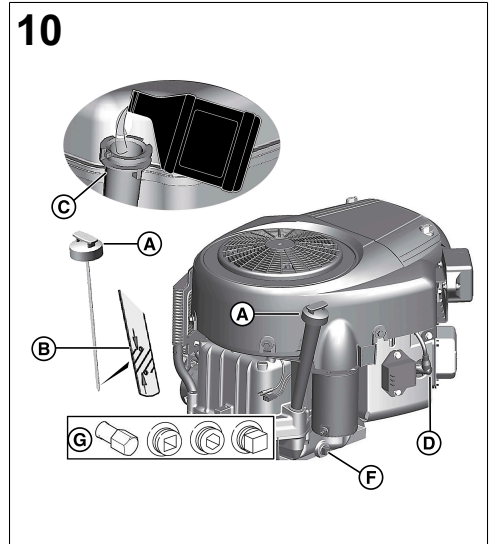
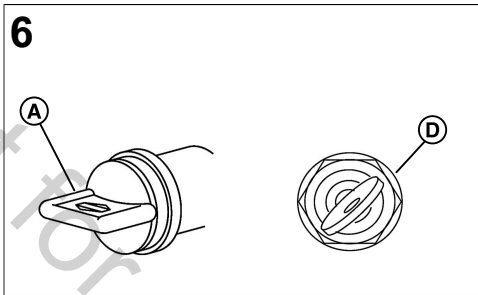
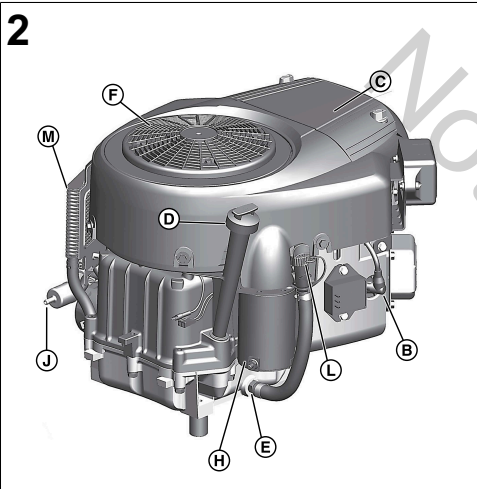
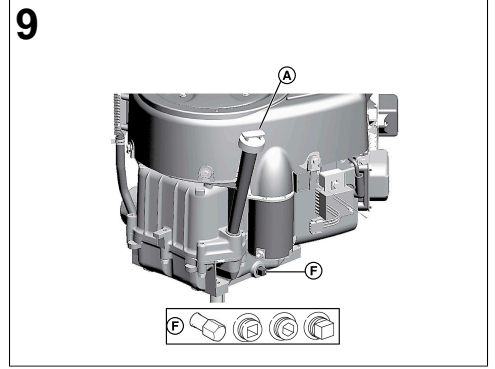
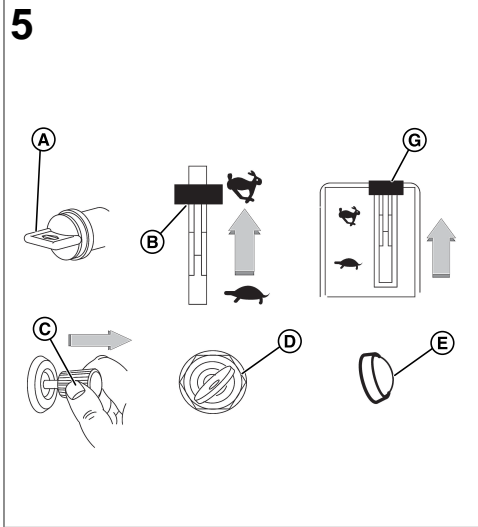
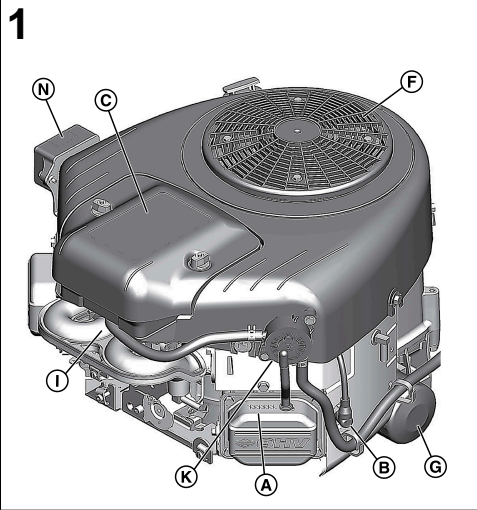


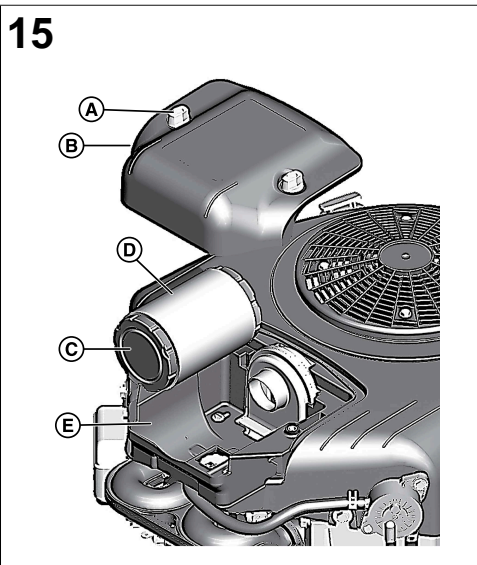
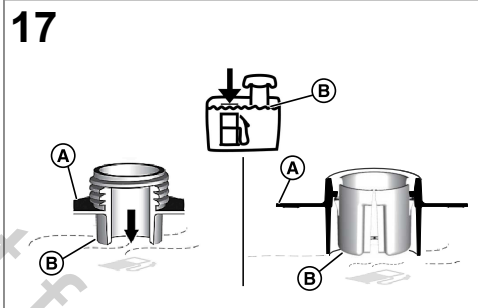
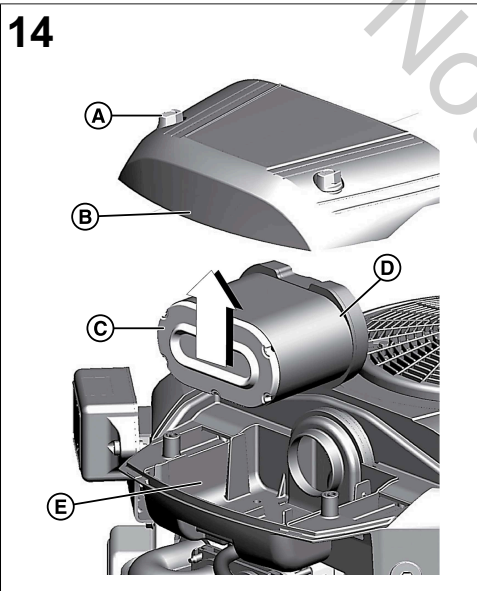
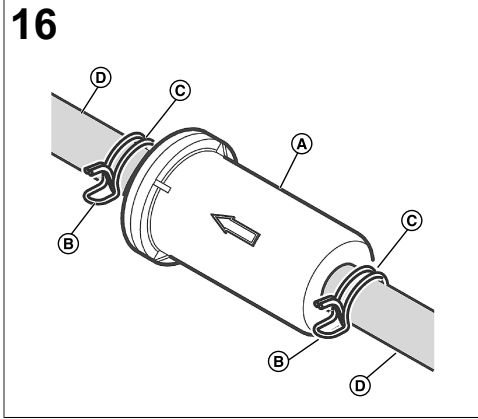
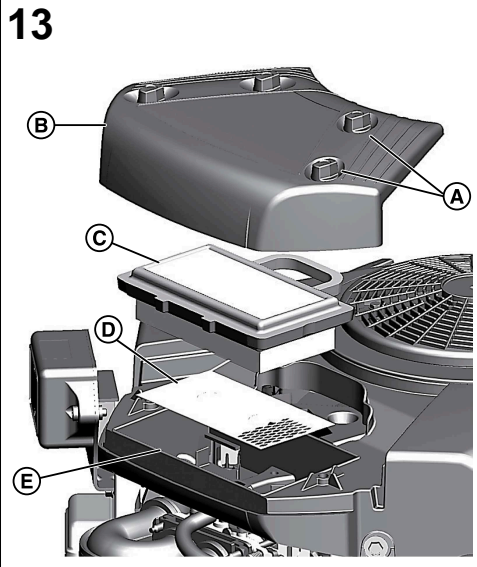


- | | | | |
|-----------|----------------------------|-----------|-----------------------------|
| en | Operator's Manual | lv | Operatora rokasgrāmata |
| bg | Инструкции за експлоатация | pl | Instrukcja obsługi |
| cs | Návod k obsluze | ro | Manual de utilizare |
| et | Kasutusjuhend | ru | Руководство по эксплуатации |
| hr | Priručnik za operatora | sk | Návod na obsluhu |
| hu | Kezelési útmutató | sl | Priručnik za uporabo |
| it | Naudojimo instrukcija | tr | Kullanma Kilavuz |

400000, 440000, 490000







General Information



This manual contains the safety information about the hazards and risks related to the engine and how to prevent them. It also contains the correct operation and maintenance of this engine. It is important that you read, understand, and obey these instructions. **Keep this manual for future reference.**

NOTE: The figures and illustrations in this manual are for information only and can be different from your model. Use the figures that align with your engine configuration. If it is necessary, speak to an Authorized Service Dealer.

Record the date of purchase, engine model, type, trim, and the engine serial number for replacement parts. These numbers are on your engine. Refer to the **Features and Controls** section.

Date of Purchase	
Engine Model - Type - Trim	
Engine Serial Number	

European Office Contact Information

For questions related to European emissions, contact our European office at:

Max-Born-Straße 2, 68519 Viernheim, Germany.

European Union (EU) Stage V (5): Carbon Dioxide (CO₂) Values

Enter CO₂ in the search window on BriggsandStratton.com to find carbon dioxide values of Briggs & Stratton EU Type-Approval Certificate engines.

Operator Safety

Safety Alert Symbol and Signal Words



The safety alert symbol identifies safety information about hazards that could result in personal injury. A signal word (**DANGER**, **WARNING**, or **CAUTION**) is used to indicate the likelihood and the potential severity of injury. In addition, a hazard symbol is used to represent the type of hazard.

DANGER indicates a hazard which, if not avoided, **will** result in death or serious injury.

WARNING indicates a hazard which, if not avoided, **could** result in death or serious injury.

CAUTION indicates a hazard which, if not avoided, **could** result in minor or moderate injury.

NOTICE indicates information considered important but not hazard-related.

Hazard Symbols and Meanings

Safety information about hazards that can result in personal injury.	Read and understand the Operator's Manual before operating or servicing the unit.
Fire Hazard	Explosion Hazard
Shock Hazard	Toxic Fume Hazard
Hot Surface Hazard	Kickback Hazard
Amputation Hazard - Moving Parts	Fuel Level - Maximum Do Not Overfill

Safety Messages



WARNING

Briggs & Stratton® Engines are not designed for and are not to be used to power: fun-karts; go-karts; children's, recreational, or sport all-terrain vehicles (ATVs); motorbikes; hovercraft; aircraft products; or vehicles used in competitive events not sanctioned by Briggs & Stratton. For information about competitive racing products, see www.briggsracing.com. For use with utility and side-by-side ATVs, please contact Briggs & Stratton Power Application Center, 1-866-927-3349. Incorrect engine use could result in serious injury or death.

Recycling Information

		Recycle all cartons, boxes, used oil, and batteries as specified by government regulations.
--	--	---

Features and Controls

Engine Controls

Compare the callout letters in Figures 1 and 2 to the engine controls in the list that follows:

- A. Engine Identification Numbers **Model - Type - Code**
- B. Spark Plug
- C. Air Cleaner
- D. Dipstick
- E. Oil Drain Plug
- F. Blower Housing Cover
- G. Oil Filter
- H. Electric Starter
- I. Carburetor
- J. Fuel Filter (if installed)
- K. Fuel Pump (if installed)
- L. Quick Oil Drain (if installed)
- M. Oil Cooler (if installed)
- N. Electric Control Unit (if installed)

Engine Control Symbols and Meanings

Engine Speed - FAST	Engine Speed - SLOW
Engine Speed - STOP	ON - OFF
Engine Start Choke CLOSED	Engine Start Choke OPEN
Fuel Cap Fuel Shut-off OPEN	Fuel Shut-off CLOSED

Operation



WARNING
Fuel vapors are flammable and explosive. Fire or explosion could result in burns or death.

If you smell gas

- Do not start the engine.
- Do not switch on electrical switches.
- Do not use a phone in the vicinity.
- Evacuate the area.
- Contact the fire department.

When you operate the equipment

- Do not tilt the engine or the equipment at an angle which causes fuel to spill.

When you move the location of the equipment

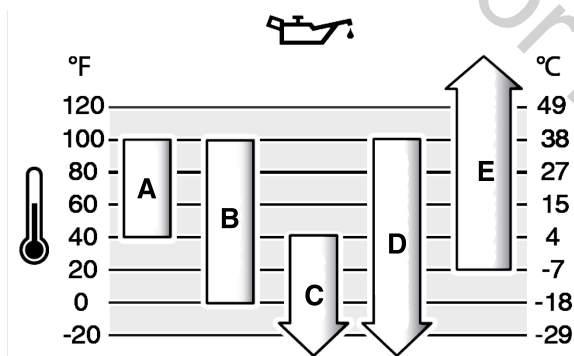
- Make sure that the fuel tank is EMPTY or that the fuel shut-off valve, if installed, is in the CLOSED position.

Oil Recommendations

Oil Capacity: Refer to the *Specifications* section.

We recommend the use of Briggs & Stratton® Warranty Certified oils for best performance. Other high-quality detergent oils are permitted if classified for service SF, SG, SH, SJ or higher. Do not use special additives.

Use the chart to select the best viscosity for the outdoor temperature range expected. Engines on most outdoor power equipment operate good with 5W-30 Synthetic oil. For equipment operated in hot temperatures, Vanguard® 15W-50 Synthetic oil gives the best protection.



A	SAE 30 - Below 40 °F (4 °C) the use of SAE 30 will result in hard starting.
B	10W-30 - Above 80 °F (27 °C) the use of 10W-30 may cause increased oil consumption. Check the oil level frequently.
C	5W-30
D	Synthetic 5W-30
E	Vanguard® Synthetic 15W-50

Check the Oil Level

Before you check or add oil

- Make sure the engine is level.
- Clean the oil fill area of debris.
- Refer to the *Specifications* section for oil capacity.

NOTICE

This engine was shipped from Briggs & Stratton without oil. Equipment manufacturers or dealers could have added oil to the engine. Before you start the engine for the first time, make sure that the oil is at the correct level. Add oil as specified by the instructions in this manual. If you start the engine without oil, damage will occur and the engine will not be repaired under warranty.

1. Remove the dipstick (A, Figure 3) and clean with a cloth.
2. Install and tighten the dipstick (A, Figure 3).
3. Remove the dipstick and check the oil level. Make sure that the oil level is at the top of the full indicator (B, Figure 3) on the dipstick.
4. If the oil level is low, slowly add oil into the engine oil fill (C, Figure 3). Do not add too much oil.
5. Wait one minute and check the oil level again. Make sure that the oil level is correct.

6. Install and tighten the dipstick (A, Figure 3).

Low Oil Protection System (if installed)

A low oil sensor is installed on some engines. If the oil is low, the sensor will show a warning light or stop the engine. Stop the engine and do the steps that follow before you start the engine.

- Make sure that the engine is level.
- Do an oil check. Refer to the *Check Oil Level* section.
- If the oil level is low, add the correct amount of oil. Start the engine and make sure that the warning light (if installed) does not come on.
- If the oil level is not low, do not start the engine. Contact a Briggs & Stratton Authorized Service Dealer to correct the oil problem.

Fuel Recommendations

Fuel must meet these requirements:

- Clean, fresh, unleaded gasoline.
- A minimum of 87 octane/87 AKI (91 RON). High altitude use, see below.
- Gasoline with up to 10% ethanol (gasohol) is permitted.

NOTICE

Do not use unapproved gasoline, such as E15 and E85. Do not mix oil in gasoline or change the engine to operate on alternate fuels. Use of unapproved fuels could result in damage to engine components, which will not be repaired under the warranty.

To protect the fuel system from gum formation, and corrosion, mix an alcohol-free fuel stabilizer and ethanol treatment into the fuel. Refer to the *Storage* section. All fuel is not the same. If start or performance problems occur, change fuel providers or brands. This engine is certified to operate on gasoline. The emissions control system for carbureted engines is EM (Engine Modifications). The emissions control systems for engines with electronic fuel injection are ECM (Engine Control Module), MFI (Multiport Fuel Injection), TBI (Throttle Body Fuel Injection) and if equipped an O2S (Oxygen Sensor).

High Altitude

At altitudes over 5,000 feet (1524 meters), a minimum 85 octane/85 AKI (89 RON) gasoline is permitted.

For carbureted engines, high altitude adjustment is required to maintain performance. Operation without this adjustment will cause decreased performance, increased fuel consumption, and increased emissions. Contact a Briggs & Stratton Authorized Service Dealer for high altitude adjustment information. Operation of the engine at altitudes below 2,500 feet (762 meters) with the high altitude adjustment is not recommended.

For Electronic Fuel Injection (EFI) engines, no high altitude adjustment is necessary.

Add Fuel



WARNING
Fuel and its vapors are flammable and explosive. Fire or explosion could result in burns or death.

When you add fuel

- Stop the engine. Before you remove the fuel cap, wait a minimum of two (2) minutes to make sure that the engine is cool.
- Fill the fuel tank outdoors or in an area that has good airflow.
- Do not put too much fuel in the tank. For expansion of the fuel, do not fill above the bottom of the fuel tank neck.
- Keep fuel away from sparks, open flames, pilot lights, heat, and other ignition sources.
- Frequently examine the fuel lines, fuel tank, fuel cap, and connections for cracks or leaks. Replace damaged parts.
- If fuel spills, wait until it dries before you start the engine.

1. Clean the fuel cap area of dirt and debris. Remove the fuel cap.
2. Fill the fuel tank (A, Figure 4) with fuel. Because fuel will expand, do not fill above the bottom of the fuel tank neck (B).
3. Install the fuel cap.

Start the Engine



WARNING

POISONOUS GAS HAZARD. Engine exhaust contains carbon monoxide, a poisonous gas that could kill you in minutes. Although you do not smell exhaust fumes, you could still be exposed to dangerous carbon monoxide gas. If you feel sick, dizzy, or weak while you use this product, get to fresh air **RIGHT AWAY**. See a doctor. You may have carbon monoxide poisoning.

- Carbon monoxide gas can collect in occupied spaces. To reduce the risk of carbon monoxide gas, **ONLY** operate this product outdoors and far away from windows, doors and vents.
- Install battery-operated carbon monoxide alarms or plug-in carbon monoxide alarms with battery back-up as specified by the manufacturer's instructions. Smoke alarms cannot sense carbon monoxide gas.
- **DO NOT** operate this product in homes, garages, basements, crawlspaces, sheds, or other closed spaces, even if you use fans or open doors and windows for ventilation. After the operation of this product, carbon monoxide can quickly collect in these spaces and stay for hours.
- **ALWAYS** put this product downwind and point the engine exhaust away from occupied spaces.



WARNING

Fuel and its vapors are flammable and explosive. Fire or explosion could result in burns or death.

When you start the engine

- Make sure that the spark plug, muffler, fuel cap and air cleaner (if equipped) are correctly installed.
- Do not crank the engine with the spark plug removed.
- If the engine is flooded, set the choke (if equipped) to the **OPEN** or **RUN** position. Move the throttle (if equipped) to the **FAST** position and crank until the engine starts.
- If there is natural or LP gas leakage in the area, do not start the engine.
- Because vapors are flammable, do not use pressurized starter fluids.



WARNING

Rotating parts can entangle hands, feet, hair, clothing, or accessories and result in traumatic amputation or laceration.

- Operate equipment with the guards correctly installed.
- Keep hands and feet away from rotating parts.
- Remove jewelry and make sure that long hair is away from all rotating parts.
- Do not wear loose clothes or items that could become caught.

1. Check the engine oil. Refer to the **Check the Oil Level** section.
2. Make sure that the equipment drive controls, if installed, are disengaged.
3. Turn the fuel shut-off valve (A, Figure 5), if installed, to the **OPEN** position
4. Move the throttle control (B, Figure 5), if installed, to the **FAST** position.
5. **For models with a choke control** (C, Figure 5), if installed, move the choke control to the **CLOSED** position. **For models with a combination choke/throttle control** (G, Figure 5) if installed, move the control to the **CHOKE** position. **For models with ReadyStart[®]**, go to the next step.

NOTE: The choke is usually not necessary when you start a warm engine.

6. To start the engine, turn the key switch (D, Figure 5), if installed, to the **ON / START** position, or push the button (E).
7. As the engine warms, move the choke control (C, Figure 5), if installed, to the **OPEN** position.

Stop the Engine



WARNING

Fuel and its vapors are flammable and explosive. Fire or explosion could result in burns or death.

- Do not choke the carburetor (if equipped) to stop the engine.
1. With the throttle control in the **SLOW** position, turn the electric start switch (D, Figure 6) if installed, to the **OFF** position.
 2. Remove the key and keep it in a safe location.
 3. After the engine stops, move the fuel shut-off (A, Figure 6), if installed, to the **CLOSED** position.

Maintenance

Maintenance Information



WARNING

Fuel and its vapors are flammable and explosive. Fire or explosion could result in burns or death.

During maintenance if it is necessary to tilt the unit, make sure that the fuel tank, if mounted on the engine, is empty and that the spark plug side is up. If the fuel tank is not empty, leakage can occur and could result in a fire or an explosion. If the engine is tilted in a different direction, it will not easily start because of oil or fuel contamination of the air filter or the spark plug.



WARNING

Accidental engine spark can cause an electric shock, fire or explosion and could result in entanglement, traumatic amputation or laceration.

Before you make adjustments or repairs:

- Disconnect all spark plug wires and keep them away from the spark plugs.
- Disconnect the battery wire from the negative battery terminal (only engines with electric start).
- Use only the correct tools.

When you check for spark:

- Use an approved spark plug tester.
- Do not check for spark with the spark plug removed.



WARNING

All the components used to assemble this engine must stay in the initial position for correct operation. Damage or injury can occur if you use incorrect parts or you do not replace all parts on the engine.

- Replacement parts must be of the same design and installed in the same position as initial parts.
- If installed, do not change the governor spring, links, or other parts to increase the engine speed.

See a Briggs & Stratton Authorized Service Dealer for all maintenance and servicing of the engine and engine parts.

Emissions Control Service

For maintenance, replacement, or repair of emissions control devices and systems, contact a qualified off-road engine repair establishment or service technician. However, for "no charge" emissions control service, the work must be done by a factory authorized dealer. Refer to the Emissions Control Statements.

Maintenance Schedule

First 5 Hours
<ul style="list-style-type: none">• Change engine oil¹.
Intervals of 8 Hours or Daily
<ul style="list-style-type: none">• Check the engine oil level.• Clean the area around the muffler and controls.• Clean the air intake grille.
Intervals of 25 Hours or Annually
<ul style="list-style-type: none">• Clean the air filter².• Clean the pre-cleaner².
Intervals of 50 Hours or Annually
<ul style="list-style-type: none">• Change the engine oil³.• Replace the oil filter (if installed)³.• Service the exhaust system.
Intervals of 100 Hours or Annually
<ul style="list-style-type: none">• Change the engine oil⁴.• Replace the oil filter (if installed)⁴.
Annually

- Replace the spark plug.
- Replace the air filter.
- Replace the pre-cleaner.
- Replace the fuel filter.
- Service the cooling system¹.
- Check the valve clearance⁵.

¹ Only engines without an oil filter.

² Clean more frequently in dusty conditions or when many particles are in the air.

³ Engines without oil filter or with standard black oil filter. See *Specifications* section for the part number.

⁴ Engines with high-efficiency yellow or orange oil filter. See *Specifications* section for the part number.

⁵ Not required unless engine performance problems occur.

Electronic Fuel Management System

The Electronic Fuel Management System monitors engine temperature, engine speed, and battery voltage to adjust the choke during engine start-up and warm-up. There are no adjustments on the system. If start-up or operation problems occur, speak to a Briggs & Stratton Authorized Service Dealer.

NOTICE Make sure that you follow these rules on the Electronic Fuel Management System could be damaged.

- DO NOT start the engine if the battery cables are loose.
- Before you connect the jump start cables, or disconnect or reconnect the battery cables, turn the ignition switch to the OFF position. When you charge the battery, turn the ignition switch to the OFF position.
- When you disconnect the battery cables from the battery, disconnect the negative (-) cable, and then disconnect the positive (+) cable to the battery. When you connect the battery cables to the battery, connect the positive (+) cable, and then the negative (-) cable to the battery.
- DO NOT use a battery charger to start the engine.
- DO NOT disconnect the battery cables during engine operation.
- DO NOT spray water directly on the Electronic Control Unit.

Carburetor and Engine Speed

Do not make adjustments to the carburetor, governor spring, linkages, or other parts to adjust the engine speed. If adjustments are necessary, contact a Briggs & Stratton Authorized Service Dealer for servicing.

NOTICE

The equipment manufacturer specifies the maximum speed for the engine as installed on the equipment. Do not exceed this speed. If you are not sure what the equipment maximum speed is, or what the engine speed is set to from the factory, contact a Briggs & Stratton Authorized Service Dealer for assistance. For safe and correct operation of the equipment, the engine speed should only be adjusted by a qualified service technician.

Servicing the Exhaust and Cooling Systems



WARNING During operation, the engine and muffler become hot. If you touch a hot engine, thermal burns can occur.

Combustible materials, such as leaves, grass and brush, can catch fire.

- Before you touch the engine or muffler, stop the engine and wait two (2) minutes. Make sure that the engine and muffler are safe to touch.
- Remove debris from the muffler and engine.

It is a violation of California Public Resource Code, Section 4442, to use or operate the engine on any forest-covered, brush-covered, or grass-covered land unless the exhaust system is equipped with a spark arrester, as defined in section 4442, maintained in effective working order. Other states or federal jurisdictions may have similar laws; reference Federal Regulation 36 CFR Part 261.52. Contact the original equipment manufacturer, retailer, or dealer to obtain a spark arrester designed for the exhaust system installed on this engine.

This is an air cooled engine. Dirt or unwanted material can prevent air flow and cause the engine to become too hot. This results in unsatisfactory performance and decreases the life of the engine. The cylinder cooling fins can collect unwanted material that cannot be removed without partial disassembly of the engine. Make sure that a Briggs & Stratton Authorized Service Dealer examines and cleans the air cooling system. Refer to the **Maintenance Schedule**.

1. Make sure that no combustible materials are around and behind the muffler.

2. Use a brush or dry cloth to remove all unwanted material from the blower housing cover, muffler and cylinder area. DO NOT use water to clean the engine.
3. Make sure that the linkage, springs, and controls are clean.
4. Examine the muffler for cracks, corrosion, or other damage.
5. Remove the deflector or the spark arrester, if installed, and examine for damage or carbon blockage. Make sure that you clean or install the replacement parts before you operate the equipment.
6. If Installed, make sure that the oil cooler fins are clean.

Servicing the Spark Plug

Check the spark plug gap (A, Figure 7) with a wire gauge (B). If necessary, set the spark plug gap. Install and tighten the spark plug to the correct torque. For gap and torque specifications, refer to the **Specifications** section.

Change Engine Oil



WARNING Fuel and its vapors are flammable and explosive. Fire or explosion could result in burns or death.

During operation, the engine and muffler become hot. If you touch a hot engine, thermal burns can occur.

- If you drain the oil from the top oil fill tube, the fuel tank must be empty. If it is not empty, fuel leakage can occur and cause a fire or an explosion.
- Before you touch the engine or muffler, stop the engine and wait two (2) minutes. Make sure that the engine and muffler are safe to touch.

Used oil is a hazardous waste product and must be discarded of correctly. Do not discard with household waste. Contact your local authorities, service center, or dealer for safe disposal or recycling facilities.

Remove Oil

1. With the engine OFF but warm, disconnect the spark plug wire(s) (D, Figure 8), and keep it away from the spark plugs (E).
2. Remove the dipstick (A, Figure 9).

Oil Drain Plug, if installed

1. Remove the oil drain plug (F, Figure 10). Drain the oil into an approved container.

NOTE: The oil drain plugs (G, Figure 10) can be installed in the engine.

2. After the oil has drained, install and tighten the oil drain plug (F, Figure 10).

Quick Oil Drain, if installed

1. Disconnect the quick oil drain hose (H, Figure 11) from the side of the engine.
2. Turn and remove the oil drain cap (I, Figure 11). Carefully lower the quick oil drain (H) into an approved container (J).
3. After the oil has drained, install the quick oil drain cap (I, Figure 11). Attach the quick oil drain hose (H) to the side of the engine.

Add Oil

- Make sure the engine is level.
- Clean the oil fill area of all debris.
- Refer to the **Specifications** section for oil capacity.

1. Remove the dipstick (A, Figure 3). Remove oil from the dipstick with a clean cloth.
2. Slowly add oil into the engine oil fill (C, Figure 3). **Do not put too much oil in the engine oil fill.** Wait one minute and then check the oil level.

NOTE: Do not add oil at the quick oil drain, if equipped.

3. Install and tighten the dipstick (A, Figure 3).
4. Remove the dipstick and check the oil level. The correct oil level is at the top of the full indicator (B, Figure 3) on the dipstick.
5. Install and tighten the dipstick (A, Figure 3).
6. Connect the spark plug wire(s) to the spark plug(s). See **Remove Oil** section.

Change the Oil Filter

1. Drain the oil from the engine. Refer to the **Remove Oil** section.
2. Remove the oil filter (H, Figure 12) and discard correctly.
3. Before you install the new oil filter, lightly lubricate the oil filter gasket with clean oil.
4. Install the oil filter by hand until the gasket touches the oil filter adapter, then tighten the oil filter 1/2 to 3/4 turns.
5. Add oil. Refer to the **Add Oil** section.

- Start and operate the engine. When the engine is warm, do a check for oil leaks.
- Stop the engine. Make sure that oil level is at the top of the full indicator on the dipstick. Refer to the **Add Oil** section.

Servicing the Air Filter

WARNING

Fuel vapors are flammable and explosive. Fire or explosion could result in burns or death.

- Do not start and operate the engine with the air cleaner assembly (if equipped) or the air filter (if equipped) removed.

NOTICE

Do not use pressurized air or solvents to clean the filter. Pressurized air could result in damage to the filter and solvents will dissolve the filter.

See the **Maintenance Schedule** for servicing requirements.

Different models will use a foam or a paper filter. Some models could also have an optional pre-cleaner that can be cleaned and used again. Compare the illustrations in this manual with the type installed on your engine and service as follows.

Paper Air Filter (with pre-cleaner)

- Loosen the fastener(s) (A, Figure 13).
- Remove the air filter cover (B, Figure 13).
- Remove the filter (C, Figure 13) and the pre-cleaner (D), if installed.
- To loosen unwanted material, lightly tap the filter on a hard surface. If the filter is dirty, replace it with a new filter.
- Clean the pre-cleaner (D, Figure 13), if installed, in liquid detergent and water. Let the pre-cleaner fully air dry. **DO NOT** lubricate the pre-cleaner.
- Assemble the dry pre-cleaner (D, Figure 13), if installed, and the filter (C) into the air filter base (E).
- Install the air filter cover (B, Figure 13) and attach with fastener(s) (A). Make sure that the fastener(s) is tight.

Air Filter Assembly (Cartridge with pre-cleaner)

- Loosen the fastener(s) (A, Figures 14, 15).
- Remove the air filter cover (B, Figures 14, 15).
- To remove the air filter (C, Figures 14, 15), lift the end of the filter.
- To loosen unwanted material, lightly tap the filter on a hard surface. If the filter is dirty, replace it with a new filter.
- Remove the pre-cleaner (D, Figures 14, 15) from the filter (C).
- Clean the pre-cleaner (D, Figures 14, 15) in liquid detergent and water. Let the pre-cleaner fully air dry. **DO NOT** lubricate the pre-cleaner.
- Assemble the dry pre-cleaner (D, Figures 14, 15), if installed, to the filter.
- Install the filter (C, Figures 14, 15) and pre-cleaner (D), if installed, into the filter base (E), and push down until you hear a click.
- Install the air filter cover (B, Figures 14, 15) and attach with fastener(s) (A). Make sure that the fastener(s) is tight.

Servicing the Fuel System

WARNING

Fuel and its vapors are flammable and explosive. Fire or explosion could result in burns or death.

- Keep fuel away from sparks, open flames, pilot lights, heat, and other ignition sources.
- Frequently examine the fuel lines, fuel tank, fuel cap, and connections for cracks or leaks. Replace damaged parts.
- If fuel spills, wait until it dries before you start the engine.

Fuel Filter, if installed

- Before you replace the fuel filter (A, Figure 16), drain the fuel tank or close the fuel shut-off valve. If the fuel tank is not drained, fuel leakage can occur and cause a fire or explosion.
- Squeeze the tabs (B, Figure 16) on the clamps (C) with pliers. Move the clamps away from the fuel filter (A).
- Twist and pull the fuel lines (D, Figure 16) off of the fuel filter.
- Examine the fuel lines (D, Figure 16) for cracks or leaks. If it is necessary, replace the fuel lines.
- Replace the fuel filter (A, Figure 16).

- Attach the fuel lines (D, Figure 16) with clamps (C).

Storage Fuel System

Refer to Figure: 17.

WARNING

Fuel and its vapors are flammable and explosive. Fire or explosion could result in burns or death.

Fuel Storage

- Because pilot lights or other ignition sources can cause explosions, keep fuel or equipment away from furnaces, stoves, water heaters or other appliances that have pilot lights.

Keep the engine level (normal operating position). Fill the fuel tank (A, Figure 17) with fuel. For fuel expansion, do not fill above the fuel tank neck (B).

Fuel can become stale when kept in a storage container for more than 30 days. The use of an alcohol-free fuel stabilizer and ethanol treatment in the fuel storage container is recommended to prevent fuel degradation and keep the fuel fresh.

When you fill the fuel container with fuel, add an alcohol-free fuel stabilizer as specified by the manufacturer's instructions. If gasoline in the engine has not been treated with a fuel stabilizer, it must be drained into an approved container. Operate the engine until it is out of fuel.

Engine Oil

While the engine is still warm, change the engine oil. Refer to **Change the Engine Oil** section.

Troubleshooting

Assistance

For assistance, contact your local dealer or go to BRIGGSandSTRATTON.COM or call 1-800-444-7774 (in USA).

Specifications and Service Parts

Specifications	Model: 400000	Model: 440000
Displacement	40.03 ci (656 cc)	44.18 ci (724 cc)
Bore	2.970 in (75,43 mm)	3.120 in (79,24 mm)
Stroke	2.890 in (73,41 mm)	2.890 in (73,41 mm)
Oil Capacity	62 - 64 oz (1,8 - 1,9 L)	62 - 64 oz (1,8 - 1,9 L)
Spark Plug Gap	.030 in (,76 mm)	.030 in (,76 mm)
Spark Plug Torque	180 lb-in (180 Nm)	180 lb-in (20 Nm)
Armature Air Gap	.008 - .012 in (,20 - ,30 mm)	.008 - .012 in (,20 - ,30 mm)
Intake Valve Clearance	.004 - .006 in (,10 - ,15 mm)	.004 - .006 in (,10 - ,15 mm)
Exhaust Valve Clearance	.004 - .006 in (,10 - ,15 mm)	.004 - .006 in (,10 - ,15mm)

Specifications	Model: 490000
Displacement	49.42 ci (810 cc)
Bore	3.300 in (83,81 mm)
Stroke	2.890 in (73,41 mm)
Oil Capacity	66 - 68 oz (1,9 - 2,0 L)
Spark Plug Gap	.030 in (,76 mm)
Spark Plug Torque	180 lb-in (180 Nm)
Armature Air Gap	.008 - .012 in (,20 - ,30 mm)
Intake Valve Clearance	.004 - .006 in (,10 - ,15 mm)
Exhaust Valve Clearance	.004 - .006 in (,10 - ,15 mm)

Service Parts

To purchase Briggs & Stratton service parts, find an Authorized Service Dealer at BRIGGSandSTRATTON.COM. You will need your identification number (model - type - trim). Refer to the **Features and Controls** section to find your engine identification number.

Power Ratings

The gross power rating for individual gasoline engine models is labeled in accordance with SAE (Society of Automotive Engineers) code J1940 Small Engine Power & Torque Rating Procedure, and is rated in accordance with SAE J1995. Torque values are derived at 2600 RPM for those engines with "rpm" called out on the label and 3060 RPM for all others; horsepower values are derived at 3600 RPM. The gross power curves can be viewed at www.BRIGGSandSTRATTON.COM. Net power values are taken with exhaust and air cleaner installed whereas gross power values are collected without these attachments. Actual gross engine power will be higher than net engine power and is affected by, among other things, ambient operating conditions and engine-to-engine variability. Given the wide array of products on which engines are placed, the gasoline engine may not develop the rated gross power when used in a given piece of power equipment. This difference is due to a variety of factors including, but not limited to, the variety of engine components (air cleaner, exhaust, charging, cooling, carburetor, fuel pump, etc.), application limitations, ambient operating conditions (temperature, humidity, altitude), and engine-to-engine variability. Due to manufacturing and capacity limitations, Briggs & Stratton may substitute an engine of higher rated power for this engine.

Warranty

Briggs & Stratton® Engine Warranty

Effective August 2022

Limited Warranty

Briggs & Stratton warrants that, during the warranty period specified below, it will repair or replace, free of charge, with a new, reconditioned or re-manufactured part, at the sole discretion of Briggs & Stratton, any part that is defective in material or workmanship or both. Transportation charges on product submitted for repair or replacement under this warranty must be borne by purchaser. This warranty is effective for and is subject to the time periods and conditions stated below. For warranty service, find the nearest Authorized Service Dealer in our dealer locator map at BRIGGSandSTRATTON.COM. The purchaser must contact the Authorized Service Dealer, and then make the product available to the Authorized Service Dealer for inspection and testing.

There is no other express warranty. Implied warranties, including those of merchantability and fitness for a particular purpose, are limited to one year from purchase, or to the extent permitted by law. All other implied warranties are excluded. Liability for incidental or consequential damages are excluded to the extent exclusion is permitted by law. Some states or countries do not allow limitations on how long an implied warranty lasts, and some states or countries do not allow the exclusion or limitation of incidental or consequential damages, so the above limitation and exclusion may not apply to you. This warranty gives you specific legal rights and you may also have other rights which vary from state to state and country to country.

Standard Warranty Terms ^{1, 2}
Vanguard®; Commercial Series
Consumer Use - 36 months
Commercial Use - 36 months
XR Series
Consumer Use - 24 months
Commercial Use - 24 months
All Other Engines Featuring Dura-Bore™ Cast Iron Sleeve
Consumer Use - 24 months
Commercial Use - 12 months
All Other Engines
Consumer Use - 24 months
Commercial Use - 3 months

¹These are our standard warranty terms, but occasionally there may be additional warranty coverage that was not determined at time of publication. For a listing of current warranty terms for your engine, go to BRIGGSandSTRATTON.COM or contact your Briggs & Stratton Authorized Service Dealer.

²There is no warranty for engines on equipment used for prime power in place of a utility; standby generators used for commercial purposes, utility vehicles exceeding 25 MPH, or engines used in competitive racing or on commercial or rental tracks.

* In Australia - Our goods come with guarantees that cannot be excluded under the Australian Consumer Law. You are entitled to a replacement or refund for a major failure and for compensation for any other reasonably foreseeable loss or damage. You are also entitled to have the goods repaired or replaced if the goods fail to be of acceptable quality and the failure does not amount to a major failure. For warranty service, find the nearest Authorized Service Dealer in our dealer locator map at BRIGGSandSTRATTON.COM, or by calling 1300 274 447, or by emailing or writing to salesenquiries@briggsandstratton.com.au, Briggs & Stratton Australia Pty Ltd, 1 Moorebank Avenue, Moorebank, NSW, Australia, 2170.

The warranty period begins on the date of purchase by the first retail consumer or commercial end user, and continues for the period of time stated in the table above. "Consumer use" means personal residential household use by a retail consumer. "Commercial use" means all other uses, including use for commercial, income producing or rental purposes. Once an engine has experienced commercial use, it shall thereafter be considered as a commercial use engine for purposes of this warranty.

No warranty registration is necessary to obtain warranty on Briggs & Stratton products. Save your proof of purchase receipt. If you do not provide proof of the initial purchase date at the time warranty service is requested, the manufacturing date of the product will be used to determine the warranty period.

About Your Warranty

This limited warranty covers engine-related material and/or workmanship issues only, and not replacement or refund of the equipment to which the engine may be mounted. Routine maintenance, tune-ups, adjustments, or normal wear and tear are not covered under this warranty. Similarly, warranty is not applicable if the engine has been altered or modified or if the engine serial number has been defaced or removed. This warranty does not cover engine damage or performance problems caused by:

1. The use of parts that are not original Briggs & Stratton parts;
2. Operating the engine with insufficient, contaminated, or an incorrect grade of lubricating oil;
3. The use of contaminated or stale fuel, gasoline formulated with ethanol greater than 10%, or the use of alternative fuels such as liquefied petroleum or natural gas on engines not originally designed/manufactured by Briggs & Stratton to operate on such fuels;
4. Dirt which entered the engine because of improper air cleaner maintenance or reassembly;
5. Striking an object with the cutter blade of a rotary lawn mower, loose or improperly installed blade adapters, impellers, or other crankshaft coupled devices, or excessive v-belt tightness;
6. Associated parts or assemblies such as clutches, transmissions, equipment controls, etc., which are not supplied by Briggs & Stratton;
7. Overheating due to grass clippings, dirt and debris, or rodent nests which plug or clog the cooling fins or flywheel area, or by operating the engine without sufficient ventilation;
8. Excessive vibration due to over-speeding, loose engine mounting, loose or unbalanced cutter blades or impellers, or improper coupling of equipment components to the crankshaft;
9. Misuse, lack of routine maintenance, shipping, handling, or warehousing of equipment, or improper engine installation.

Warranty service is available only through Briggs & Stratton Authorized Service Dealers. Locate your nearest Authorized Service Dealer in our dealer locator map at BRIGGSandSTRATTON.COM or by calling 1-800-444-7774 (in USA).

80114782 (Revision A)

Briggs & Stratton Emissions Warranty

California, U.S. EPA, and Briggs & Stratton, LLC Emissions Control Warranty - Your Warranty Rights and Obligations
For Briggs & Stratton Engine Models with "B" or "G" Trim Designation (Model-Type-Trim Representation xxxxxx xxxx Bx or xxxxxx xxxx Gx)

The California Air Resources Board, U.S. EPA, and Briggs & Stratton (B&S) are pleased to explain the exhaust emissions ("emissions") control system warranty on your 2022-2024 engine. In California, new small off-road engines and large spark ignited engines less than or equal to 1.0 liter must be designed, built, and equipped to meet the State's stringent anti-smog standards. B&S must warrant the emissions control system on your engine for the periods of time listed below provided there has been no abuse, neglect or improper maintenance of your small off-road engine or equipment leading to the failure of the emissions control system.

Your emissions control system may include parts such as the carburetor or fuel-injection system, the ignition system, catalytic converter, fuel tanks, fuel lines (for liquid fuel and fuel vapors), fuel caps, valves, canisters, filters, clamps and other associated components. Also included may be hoses, belts, connectors, and other emission-related assemblies.

Where a warrantable condition exists, B&S will repair your engine at no cost to you including diagnosis, parts, and labor.

Manufacturer's Warranty Coverage:

The exhaust emissions control system on your engine is warranted for two years. If any emissions-related part on your engine is defective, the part will be repaired or replaced by B&S.

Owner's Warranty Responsibilities:

- As the engine owner, you are responsible for the performance of the required maintenance listed in your owner's manual. B&S recommends that you retain all receipts covering maintenance on your engine, but B&S cannot deny warranty coverage solely for the lack of receipts or for your failure to ensure the performance of all scheduled maintenance.

- As the engine owner, you should however be aware that B&S may deny you warranty coverage if your engine or a part has failed due to abuse, neglect, or improper maintenance or unapproved modifications.
- You are responsible for presenting your engine to a B&S distribution center or service center as soon as the problem exists. The warranty repairs shall be completed in a reasonable amount of time, not to exceed 30 days. If you have a question regarding your warranty rights and responsibilities, you should contact B&S at 1-800-444-7774 (in USA) or BRIGGSandSTRATTON.COM.

Briggs & Stratton Emissions Control Warranty Provisions

The following are specific provisions relative to your Emissions Control Warranty Coverage. It is in addition to the B&S engine warranty for non-regulated engines found in the Operator's Manual.

1. Warranted Emissions Parts
Coverage under this warranty extends only to the parts listed below (the emissions control systems parts) to the extent these parts were present on the B&S engine.
 - a. Fuel Metering System
 - Cold start enrichment system (soft choke)
 - Carburetor or fuel injection system
 - Oxygen sensor
 - Electronic control unit
 - Fuel pump module
 - b. Air Induction System
 - Air cleaner
 - Intake manifold
 - c. Ignition System
 - Spark plug(s)
 - Magneto ignition system
 - d. Catalyst System
 - Catalytic converter
 - Exhaust manifold
 - Air injection system or pulse valve
 - e. Miscellaneous Items Used in Above Systems
 - Vacuum, temperature, position, time sensitive valves and switches
 - Connectors and assemblies
 - Electronic controls
2. Length of Coverage
Coverage is for a period of two years from the date of delivery to an ultimate purchaser, or for the time period listed in the respective engine or product warranty statement, whichever is greater. B&S warrants to the original purchaser and each subsequent purchaser that the engine is designed, built, and equipped so as to conform with all applicable regulations adopted by the Air Resources Board; that it is free from defects in material and workmanship that could cause the failure of a warranted part; and that it is identical in all material respects to the engine described in the manufacturer's application for certification. The warranty period begins on the date the engine or equipment is delivered to an ultimate purchaser.

The warranty on emissions-related parts is as follows:

- Any warranted part that is not scheduled for replacement as required maintenance in the Operator's Manual supplied, is warranted for the warranty period stated above. If any such part fails during the period of warranty coverage, the part will be repaired or replaced by B&S at no charge to the owner. Any such part repaired or replaced under the warranty will be warranted for the remaining warranty period.
- Any warranted part that is scheduled only for regular inspection in the Operator's Manual supplied, is warranted for the warranty period stated above. Any such part repaired or replaced under warranty will be warranted for the remaining warranty period.
- Any warranted part that is scheduled for replacement as required maintenance in the Operator's Manual supplied, is warranted for the period of time prior to the first scheduled replacement point for that part. If the part fails prior to the first scheduled replacement, the part will be repaired or replaced by B&S at no charge to the owner. Any such part repaired or replaced under warranty will be warranted for the remainder of the period prior to the first scheduled replacement point for the part.
- Add-on or modified parts that are not exempted by the Air Resources Board may not be used. The use of any non-exempted add-on or modified parts by the owner will be grounds for disallowing a warranty claim. The manufacturer will not be liable to warrant failures of warranted parts caused by the use of a non-exempted add-on or modified part.

3. Consequential Coverage
Coverage shall extend to the failure of any engine components caused by the failure of any warranted emissions parts.
4. Claims and Coverage Exclusions
Warranty claims shall be filed according to the provisions of the B&S engine warranty policy. Warranty coverage does not apply to failures of emissions parts that are not original equipment B&S parts or to parts that fail due to abuse, neglect, or improper maintenance as set forth in the B&S engine warranty policy. B&S is not liable for warranty coverage of failures of emissions parts caused by the use of add-on or modified parts.

Look For Relevant Emissions Durability Period and Air Index Information On Your Small Off-Road Engine Emissions Label

Engines that are certified to meet the California Air Resources Board (CARB) small off-road Emissions Standard must display information regarding the Emissions Durability Period and the Air Index. Briggs & Stratton makes this information available to the consumer on our emissions labels. The engine emissions label will indicate certification information.

The **Emissions Durability Period** describes the number of hours of actual running time for which the engine is certified to be emissions compliant, assuming proper maintenance in accordance with the Operator's Manual. The following categories are used:

Moderate:

Engines at or less than 80 cc displacement are certified to be emissions compliant for 50 hours of actual engine running time. Engines greater than 80 cc displacement are certified to be emissions compliant for 125 hours of actual engine running time.

Intermediate:

Engines at or less than 80 cc displacement are certified to be emissions compliant for 125 hours of actual engine running time. Engines greater than 80 cc displacement are certified to be emissions compliant for 250 hours of actual engine running time.

Extended:

Engines at or less than 80 cc displacement are certified to be emissions compliant for 300 hours of actual engine running time. Engines greater than 80 cc displacement are certified to be emissions compliant for 500 hours of actual engine running time.

For example, a typical walk-behind lawn mower is used 20 to 25 hours per year. Therefore, the **Emissions Durability Period** of an engine with an **intermediate** rating would equate to 10 to 12 years.

Briggs & Stratton engines are certified to meet the United States Environmental Protection Agency (USEPA) Phase 2 or Phase 3 emissions standards. The Emissions Compliance Period referred to on the Emissions Compliance label indicates the number of operating hours for which the engine has been shown to meet Federal emissions requirements.

For engines at or less than 80 cc displacement:

Category C = 50 hours, Category B = 125 hours, Category A = 300 hours

For engines greater than 80 cc displacement and less than 225 cc displacement:

Category C = 125 hours, Category B = 250 hours, Category A = 500 hours

For engines of 225 cc or more displacement:

Category C = 250 hours, Category B = 500 hours, Category A = 1000 hours

80111486 (Revision A)

Briggs & Stratton Emissions Warranty

California, U.S. EPA, and Briggs & Stratton, LLC Emissions Control Warranty - Your Warranty Rights and Obligations
For Briggs & Stratton Engine Models with "F" Trim Designation (Model-Type-Trim Representation xxxxxx xxxx Fx)

The California Air Resources Board, U.S. EPA, and Briggs & Stratton (B&S) are pleased to explain the exhaust and evaporative emissions ("emissions") control system warranty on your 2022-2024 engine. In California, new equipment that use small off-road engines must be designed, built, and equipped to meet the State's stringent anti-smog standards. B&S must warrant the emissions control system on your engine/equipment for the periods of time listed below provided there has been no abuse, neglect or improper maintenance of your small off-road engine or equipment leading to the failure of the emissions control system.

Your emissions control system may include parts such as the carburetor or fuel-injection system, the ignition system, catalytic converter, fuel tanks, fuel lines (for liquid fuel and fuel vapors), fuel caps, valves, canisters, filters, clamps and other associated components. Also included may be hoses, belts, connectors, and other emission-related assemblies.

Where a warrantable condition exists, B&S will repair your engine/equipment at no cost to you including diagnosis, parts, and labor.

Manufacturer's Warranty Coverage:

The exhaust and evaporative emissions control system on your engine/equipment is warranted for two years. If any evaporative emission-related part on your engine/equipment is defective, the part will be repaired or replaced by B&S.

Owner's Warranty Responsibilities:

- As the engine/equipment owner, you are responsible for the performance of the required maintenance listed in your owner's manual. B&S recommends that you retain all receipts covering maintenance on your engine, but B&S cannot deny warranty coverage solely for the lack of receipts or for your failure to ensure the performance of all scheduled maintenance.
- As the engine/equipment owner, you should however be aware that B&S may deny you warranty coverage if your engine/equipment or a part has failed due to abuse, neglect, or improper maintenance or unapproved modifications.
- You are responsible for presenting your engine/equipment to a B&S distribution center or service center as soon as the problem exists. The warranty repairs shall be completed in a reasonable amount of time, not to exceed 30 days. If you have a question regarding your warranty rights and responsibilities, you should contact B&S at 1-800-444-7774 (in USA) or BRIGGSandSTRATTON.COM.

Briggs & Stratton Emissions Control Warranty Provisions

The following are specific provisions relative to your Emissions Control Warranty Coverage. It is in addition to the B&S engine warranty for non-regulated engines found in the Operator's Manual.

1. Warranted Emissions Parts

Coverage under this warranty extends only to the parts listed below (the emissions control systems parts) to the extent these parts were present on the B&S engine and/or B&S supplied fuel system.

a. Fuel Metering System

- Cold start enrichment system (soft choke)
- Carburetor or fuel injection system
- Oxygen sensor
- Electronic control unit
- Fuel pump module
- Fuel line (for liquid fuel and fuel vapors), fuel line fittings, clamps
- Fuel tank, cap and tether
- Carbon canister and mounting bracket
- Pressure relief valves
- Liquid/Vapor separator

b. Air Induction System

- Air cleaner
- Intake manifold
- Purge and vent line

c. Ignition System

- Spark plug(s)
- Magneto ignition system

d. Catalyst System

- Catalytic converter
- Exhaust manifold
- Air injection system or pulse valve

e. Miscellaneous Items Used in Above Systems

- Vacuum, temperature, position, time sensitive valves and switches
- Connectors and assemblies
- Electronic controls

2. Length of Coverage

Coverage is for a period of two years from the date of delivery to an ultimate purchaser, or for the time period listed in the respective engine or product warranty statement, whichever is greater. B&S warrants to the original purchaser and each subsequent purchaser that the engine is designed, built, and equipped so as to conform with all applicable regulations adopted by the Air Resources Board; that it is free from defects in material and workmanship that could cause the failure of a warranted part; and that it is identical in all material respects to the engine described in the manufacturer's application for certification. The warranty period begins on the date the engine or equipment is delivered to an ultimate purchaser.

The warranty on emissions-related parts is as follows:

- Any warranted part that is not scheduled for replacement as required maintenance in the Operator's Manual supplied, is warranted for the warranty period stated above. If any such part fails during the period of warranty coverage, the part will be repaired or replaced by B&S at no charge to the owner. Any such part repaired or replaced under the warranty will be warranted for the remaining warranty period.
- Any warranted part that is scheduled only for regular inspection in the Operator's Manual supplied, is warranted for the warranty period stated above. Any such part repaired or replaced under warranty will be warranted for the remaining warranty period.
- Any warranted part that is scheduled for replacement as required maintenance in the Operator's Manual supplied, is warranted for the period of time prior to the first scheduled replacement point for that part. If the part fails prior to the first scheduled replacement, the part will be repaired or replaced by B&S at no charge to the owner. Any such part repaired or replaced under warranty will be warranted for the remainder of the period prior to the first scheduled replacement point for the part.
- Add-on or modified parts that are not exempted by the Air Resources Board may not be used. The use of any non-exempted add-on or modified parts by the owner will be grounds for disallowing a warranty claim. The manufacturer will not be liable to warrant failures of warranted parts caused by the use of a non-exempted add-on or modified part.

3. Consequential Coverage

Coverage shall extend to the failure of any engine components caused by the failure of any warranted emissions parts.

4. Claims and Coverage Exclusions

Warranty claims shall be filed according to the provisions of the B&S engine warranty policy. Warranty coverage does not apply to failures of emissions parts that are not original equipment B&S parts or to parts that fail due to abuse, neglect, or improper maintenance as set forth in the B&S engine warranty policy. B&S is not liable for warranty coverage of failures of emissions parts caused by the use of add-on or modified parts.

Look For Relevant Emissions Durability Period and Air Index Information On Your Small Off-Road Engine Emissions Label

Engines that are certified to meet the California Air Resources Board (CARB) small off-road Emissions Standard must display information regarding the Emissions Durability Period and the Air Index. Briggs & Stratton makes this information available to the consumer on our emissions labels. The engine emissions label will indicate certification information.

The **Emissions Durability Period** describes the number of hours of actual running time for which the engine is certified to be emissions compliant, assuming proper maintenance in accordance with the Operator's Manual. The following categories are used:

Moderate:

Engines at or less than 80 cc displacement are certified to be emissions compliant for 50 hours of actual engine running time. Engines greater than 80 cc displacement are certified to be emissions compliant for 125 hours of actual engine running time.

Intermediate:

Engines at or less than 80 cc displacement are certified to be emissions compliant for 125 hours of actual engine running time. Engines greater than 80 cc displacement are certified to be emissions compliant for 250 hours of actual engine running time.

Extended:

Engines at or less than 80 cc displacement are certified to be emissions compliant for 300 hours of actual engine running time. Engines greater than 80 cc displacement are certified to be emissions compliant for 500 hours of actual engine running time.

For example, a typical walk-behind lawn mower is used 20 to 25 hours per year. Therefore, the **Emissions Durability Period** of an engine with an **intermediate** rating would equate to 10 to 12 years.

Briggs & Stratton engines are certified to meet the United States Environmental Protection Agency (USEPA) Phase 2 or Phase 3 emissions standards. The Emissions Compliance Period referred to on the Emissions Compliance label indicates the number of operating hours for which the engine has been shown to meet Federal emissions requirements.

For engines at or less than 80 cc displacement:

Category C = 50 hours, Category B = 125 hours, Category A = 300 hours

For engines greater than 80 cc displacement and less than 225 cc displacement:

Category C = 125 hours, Category B = 250 hours, Category A = 500 hours

For engines of 225 cc or more displacement:

Category C = 250 hours, Category B = 500 hours, Category A = 1000 hours

80111491 (Revision A)

Not for reproduction

Обща информация



Това ръководство съдържа информация за безопасност относно свързаните с двигателя опасности и рискове, и тяхното предотвратяване. Също така съдържа информация за правилната работа и поддръжка на двигателя. Важно е да прочетете, разберете и спазвате тези инструкции. **Пазете това ръководство за бъдещи справки.**

ЗАБЕЛЕЖКА: Фигурите и илюстрациите в това ръководство са предоставени само за информация и може да се различават от модела, който притежавате. Използвайте фигурите, които съответстват на конфигурацията на вашия двигател. Ако е необходимо, се свържете с упълномощен сервизен представител.

Запишете датата на покупката, модела, типа, модификацията и серийния номер на двигателя при необходимост от резервни части. Тези номера се намират върху двигателя. Вижте раздела **Елементи и прибори за управление**.

Дата на закупуване	
Модел - Тип - Конструкция на двигателя	
Сериен номер на двигателя	

Информация за контакт на Европейската служба

За въпроси относно емисиите в Европейския съюз, се свържете с нашата Европейска служба на адрес:

Max-Born-Straße 2, 68519 Viernheim, Германия.

Стандарт Euro ниво V (5) на ЕС: Стойности на въглероден диоксид (CO₂)

Въведете „CO₂“ в полето за търсене на уебсайта BriggsandStratton.com, за да намерите стойностите на емисиите въглероден диоксид за двигателите на Briggs & Stratton, които имат сертификата за типово одобрение от ЕС.

Безопасност на оператора Предупредителен символ за опасност и сигнални думи



Предупредителният символ за безопасност обозначава информацията за безопасност, свързана с опасности, които могат да доведат до нараняване. Сигнализираща дума (**ОПАСНОСТ**, **ПРЕДУПРЕЖДЕНИЕ** или **ВНИМАНИЕ**) се поставя, за да посочи вероятността и потенциалната сериозност на нараняването. Освен това, даден символ за опасност се използва, за да се представи видът на опасността.

ОПАСНОСТ посочва опасност, която, ако не бъде избегната, **ще** доведе до смърт или сериозно нараняване.

ПРЕДУПРЕЖДЕНИЕ посочва опасност, която, ако не бъде избегната, **може** да доведе до смърт или сериозно нараняване.

ВНИМАНИЕ посочва опасност, която, ако не бъде избегната, **може** да доведе до малка или средна степен на нараняване.

ПРЕДУПРЕЖДЕНИЕ посочва информация, считана за важна, но несвързана с опасности.

Символи за опасности и техните значения

	Информация за безопасност относно опасности, които могат да доведат до телесно нараняване.		Прочетете и разберете Ръководството за оператора, преди да работите или правите техническо обслужване на машината.
	Опасност от пожар		Опасност от експлозия
	Опасност от електрически удар		Опасност от токсични пари

	Опасност от нагорещена повърхност		Опасност от откат
	Опасност от отрязване на крайник – Движещи се части		Ниво на горивото – Максимално Не препълвайте

Съобщения за безопасност



ПРЕДУПРЕЖДЕНИЕ

Двигателите на Briggs & Stratton® не са предназначени за и не трябва да се използват за захранване на: развлекателни картове; състезателни картове; детски, развлекателни или спортни всеходни превозни средства (ATV-та); мотоциклети; съдове на въздушна възглавница; продукти за авиацията или превозни средства, използвани в състезания, които не са разрешени от Briggs & Stratton. За информация относно изделия за състезателни цели, вижте www.briggsracing.com. При използване на превозни средства с общо предназначение и такива с повишена проходимост (ATV), моля свържете се с приложния център за захранване на Briggs & Stratton на тел. 1-866-927-3349. Неправилната употреба на двигателя може да доведе до сериозни наранявания или смърт.

Информация за рециклиране

		Рециклирайте всички кашони, кутии, използвано масло и батерии, както е посочено в правителствените разпоредби.
--	--	--

Елементи и прибори за управление

Управление на двигателя

Сравнете допълнителните букви на фигури 1 и 2 с приборите за управление на двигателя в списъка, по-долу:

- Маркировка на двигателя **Модел – Тип – Код**
- Запалителна свещ
- Въздушен филтър
- Нивопоказател
- Пробка за източване на маслото
- Кожух на вентилатора
- Маслен филтър
- Електрически стартер
- Карбуратор
- Горивен филтър (ако има такъв)
- Горивна помпа (ако има такава)
- Маркуч за бързо източване на маслото (ако има монтиран)
- Охладител на масло (ако има такъв)
- Електрически блок за управление (ако има монтиран)

Символи за управление на двигателя и техните значения

	Обороти на двигателя – БЪРЗИ		Обороти на двигателя – БАВНИ
	Обороти на двигателя – СПРЕНИ		ВКЛ. – ИЗКЛ.
	Стартиране на двигателя Смукач ЗАТВОРЕН		Стартиране на двигателя Смукач ОТВОРЕН



Капачка на резервоара за гориво
Кранче за подаване на гориво ОТВОРЕНО



Кранче за подаване на гориво ЗАТВОРЕНО

Експлоатация



ПРЕДУПРЕЖДЕНИЕ
Изпаренията на горивата са възпламеними и взривоопасни. Пожар или експлозия може да доведе до изгаряния или смърт.

Ако Ви замирише на газ

- Не стартирайте двигателя.
- Не включвайте електрическите ключове.
- Не използвайте телефон в непосредствена близост.
- Напуснете мястото.
- Свържете се с противопожарната охрана.

Когато работите с оборудването

- Не наклоняйте двигателя или машината под ъгъл, при който горивото се разлива.

Когато сменят мястото на оборудването

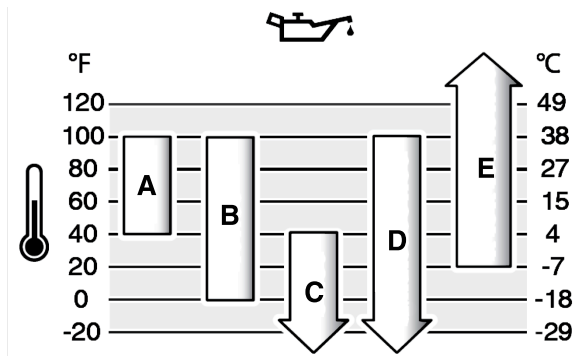
- Уверете се, че резервоарът за гориво е ПРАЗЕН и че кранчето за подаване на гориво е в позиция ЗАТВОРЕНО.

Препоръки за маслото

Вместимост на масло: Вижте раздел *Технически данни*.

За най-добра производителност препоръчваме да се използват сертифицирани с гаранция масла на Briggs & Stratton®. Разрешени са и други висококачествени почистващи масла от клас SF, SG, SH, SJ или по-висок. Не използвайте специални добавки.

Използвайте таблицата, за да изберете най-добрия вискозитет за очаквания диапазон на външна температура. Двигателите на повечето машини за използване на открито работят добре със синтетично масло 5W-30. Синтетичното масло Vanguard® 15W-50 осигурява най-добрата защита за оборудване, което се използва при високи температури.



A	SAE 30 – Употребата на SAE 30 при температури под 40°F (4°C) ще доведе до трудно стартиране.
B	10W-30 – Употребата на 10W-30 при температури над 80°F (27°C) може да предизвика повишен разход на масло. Проверявайте често нивото на маслото.
C	5W-30
D	Синтетично масло 5W-30
E	Синтетично Vanguard® 15W-50

Проверете нивото на маслото

Преди да проверите или да долеете масло

- Уверете се, че двигателят е разположен хоризонтално.
- Почистете от отпадъци мястото около отвора за наливане на масло.
- Вижте раздел *Технически данни* относно вместимостта за маслото.

ПРЕДУПРЕЖДЕНИЕ

Този двигател се доставя от Briggs & Stratton без масло. Производителите на оборудването или търговците може да са добавили масло в двигателя. Преди да стартирате двигателя за първи път, уверете се, че маслото е на правилното ниво. Добавяйте масло, както е посочено в инструкциите в това ръководство. Ако стартирате двигателя без масло, той ще се повреди и ремонтът няма да бъде покрит от гаранцията.

1. Извадете щеката на нивопоказателя (А, фигура 3) и я почистете с кърпа.
2. Поставете и затегнете щеката на нивопоказателя (А, Фигура 3).
3. Свалете нивопоказателя и проверете нивото на маслото. Уверете се, че нивото на маслото е до горната част на индикатора за напълване (В, фигура 3) върху щеката.
4. Ако нивото на маслото е ниско, бавно долейте през отвора за моторно масло (С, Фигура 3). Не добавяйте твърде много масло.
5. Изчакайте една минута и отново проверете нивото на маслото. Уверете се, че нивото на маслото е добре.
6. Поставете и затегнете щеката на нивопоказателя (А, Фигура 3).

Система за защита от ниско ниво на маслото (ако има такава)

На някои двигатели е инсталиран сензор за ниско ниво на маслото. Ако маслото е малко, сензорът ще изведе предупредителна светлина или ще спре двигателя. Спрете двигателя и следвайте тези стъпки, преди да стартирате двигателя.

- Уверете се, че двигателят е разположен хоризонтално.
- Проверете маслото. Вижте раздел *Проверка нивото на маслото*.
- Ако нивото на маслото е ниско, добавете необходимото количество масло. Стартирайте двигателя и се уверете, че не се включва предупредителната светлина (ако има такава).
- Ако нивото на маслото не е ниско, не стартирайте двигателя. Свържете се с упълномощен сервизен представител на Briggs & Stratton, за да отстраните проблема с маслото.

Препоръки за горивото

Горивото трябва да отговаря на следните изисквания:

- Чист, пресен, безоловен бензин.
- Минимум 87 октана/87 AKI (91 RON). За работа при голяма надморска височина вижте по-долу.
- Позволен е бензин с до 10% съдържание на етанол (бензоспирт).

ПРЕДУПРЕЖДЕНИЕ

Да не се използват неодобрени марки бензини, като E15 и E85. Не смесвайте масло с бензина и не променяйте двигателя за работа с алтернативни горива. Използването на неодобрени горива може да доведе до повреда на елементи от двигателя, чиито ремонт няма да бъде покрит от гаранцията.

За защита на горивната система от образуване на клей и корозия смесете стабилизатор на гориво без алкохол и етанолов разредител към горивото. Вижте раздел *Съхранение*. Всички горива са различни. Ако започнат да се появяват проблеми със стартирането или производителността, сменете доставчиците или марката на горивото. Този двигател е сертифициран за работа с бензин. Системата за контрол на емисиите за карбураторни двигатели е EM (Модификации на двигателя). Системите за контрол на емисиите за двигатели с електронно впръскване на горивото са ECM (модул за управление на двигателя), MFI (многоточково впръскване на горивото), TBI (впръскване на горивото в дроселовата клапа) и, ако има монтиран, O2S (кислороден сензор).

Голяма надморска височина

При надморски височини над 5 000 фута (1 524 метра), позволеният бензин е минимум 85 октана/85 AKI (89 RON).

При карбураторни двигатели е необходимо регулиране за големи надморски височини, за да се запази производителността. Работата без тази настройка ще доведе до понижена производителност, по-голям разход на гориво и повишени емисии. Свържете се с упълномощен сервизен представител на Briggs & Stratton за информация относно регулирането за големи надморски височини. Не се препоръчва работа на двигателя при надморска височина под 2 500 ход (762 м) с направено регулиране за голяма надморска височина.

При двигатели с електронно впръскване на горивото (EFI) не е необходима настройка за голяма надморска височина.

Доливане на гориво



ПРЕДУПРЕЖДЕНИЕ

Горивото и неговите пари са възпламеними и взривоопасни. Пожар или експлозия може да доведе до изгаряния или смърт.

Когато добавяте гориво

- Спрете двигателя. Преди да свалите капачката за гориво, изчакайте най-малко две (2) минути, за да си гарантирате, че двигателят се е охладил.
 - Напълнете резервоара за гориво на открито или в помещение с добра вентилация.
 - Не слагайте твърде много гориво в резервоара. За да оставите възможност за разширение на горивото, не пълнете над долната част на гърлото на резервоара за гориво.
 - Дръжте горивото далече от искри, открити пламъци, пилотни светлини, топлина и други източници на запалване.
 - Често преглеждайте горивопроводите, резервоара за гориво, капачката на горивото и връзките за наличие на пукнатини или течове. Подменете повредените части.
 - Ако горивото се разлее, изчакайте, докато се изпари преди да стартирате двигателя.
1. Почистете пространството около капачката на резервоара за гориво от мръсотия и остатъци. Свалете капачката на резервоара за гориво.
 2. Напълнете резервоара за гориво (А, фигура 4) с гориво. Тъй като горивото се разширява, не пълнете над долната част на гърлото на резервоара (В).
 3. Поставете обратно капачката за гориво.

Стартиране на двигателя



ПРЕДУПРЕЖДЕНИЕ

ОПАСНОСТ ОТ ОТРОВНИ ГАЗОВЕ. Отработените газове от двигателя съдържат въглероден оксид, отровен газ, който би могъл да Ви убие за минути. Дори ако не усещате отработените газове, все още можете да бъдете изложени на въздействието на отровен въглероден оксид. Ако усетите гадене, замаяване или слабост докато използвате този продукт, **ВЕДНАГА** излезте на чист въздух. Отидете на лекар. Възможно е да сте получили отравяне с въглероден оксид.

- Въглеродният оксид може да се натрупва в затворени помещения. Работете с този продукт САМО на открито, далече от прозорци, врати и вентилационни отвори, за да намалите риска от натрупване на въглероден оксид.
- Монтирайте сигнални уредби за наличие на въглероден оксид, захранвани с батерии или чрез щепсел, според инструкциите на производителя. Сигналните уредби за дим не могат да засичат въглероден оксид.
- НЕ работете с този продукт в домове, гаражи, мазета, непреходни коридори, хангари или други затворени помещения, дори при използване на вентилатори или при отворени врати и прозорци за вентилация. След работата с този продукт, въглеродният оксид може бързо да се натрупа в тези помещения и да остане с часове.
- **ВИНАГИ** поставяйте този продукт по посока на въздушното течение и насочвайте изгорелите газове от двигателя далече от обитаваните помещения.



ПРЕДУПРЕЖДЕНИЕ

Горивото и неговите пари са възпламеними и взривоопасни. Пожар или експлозия може да доведе до изгаряния или смърт.

Когато стартирате двигателя

- Уверете се, че запалителната свещ, шумозаглушителят, капачката на резервоара за гориво и въздушният филтър (ако има такива) са монтирани правилно.
- Не стартирайте двигателя без запалителна свещ.
- Ако двигателят е задавен, поставете смукача (ако има такъв) в положение ОТВОРЕНО или РАБОТА. Поставете прибора за управление на дроселната клапа в положение БЪРЗО (ако има такъв) и въртете, докато двигателят стартира.
- Ако в областта има изтичане на природен газ или газ LP, не стартирайте двигателя.
- Не използвайте течности за начално запалване под налягане, защото парите им са възпламеними.



ПРЕДУПРЕЖДЕНИЕ

Въртящите се части могат да захванат ръце, крака, коса, облекло или аксесоари и това може да доведе до травматична ампутация или сериозно нараняване.

- Работете с оборудването с правилно поставени предпазители.
 - Дръжте ръцете и краката си на разстояние от въртящите се части.
 - Свалете бижутата си и се уверете, че косата Ви е далече от всички въртящи се части.
 - Не носете широки дрехи или аксесоари, които могат да бъдат захванати.
1. Проверете моторното масло. Вижте раздел **Проверка нивото на маслото**.
 2. Уверете се, че задвижващите прибори за управление на оборудването, ако има такива, са деактивирани.
 3. Завъртете кранчето за подаване на гориво (А, Фигура 5), ако има такова, до позиция ОТВОРЕНО
 4. Преместете управлението на дроселната клапа (В, фигура 5), ако има такава, на позиция БЪРЗО.
 5. **При модели с лост за смукача** (С, Фигура 5), преместете лоста в положение ЗАТВОРЕНО. **При модели с комбиниран лост смукач/газ** (G, Фигура 5), преместете лоста в положение СМУКАЧ. **За модели с ReadyStart®**, отидете на следващата стъпка.
- ЗАБЕЛЕЖКА:** Обикновено, не е необходим смукач при стартиране на топъл двигател.
6. За да стартирате двигателя, завъртете ключа (D, Фигура 5) в положение ВКЛ/СТАРТ или натиснете бутона (E), според това дали е монтиран ключ или бутон.
 7. Щом двигателят загрее, поставете лоста на смукача (С, Фигура 5), ако има такъв, на позиция ОТВОРЕНО.

Спрете двигателя



ПРЕДУПРЕЖДЕНИЕ

Горивото и неговите пари са възпламеними и взривоопасни. Пожар или експлозия може да доведе до изгаряния или смърт.

- Не запушвайте карбуратора (ако има такъв) за да спрете двигателя.
1. При лост на газта в положение БАВНО, завъртете ключа за електрическо стартиране, ако има такъв, (D, фигура 6) до положение ИЗКЛ.
 2. Извадете ключа и го дръжте на безопасно място.
 3. След спирането на двигателя, завъртете кранчето за подаване на гориво (А, фигура 6), ако има такова, до позиция ЗАТВОРЕНО.

Техническо обслужване

Информация за техническо обслужване



ПРЕДУПРЕЖДЕНИЕ

Горивото и неговите пари са възпламеними и взривоопасни. Пожар или експлозия може да доведе до изгаряния или смърт.

По време на поддръжката, ако е необходимо да наклоните уреда, уверете се, че резервоарът за гориво, ако е монтиран на двигателя, е празен и че е изправен откъм страната на запалващата свещ. Ако резервоарът за гориво не е празен, може да изтече гориво и да причини пожар или експлозия. Ако двигателят е наклонен в друга посока, той няма лесно да се стартира поради замърсяване с масло или гориво на въздушния филтър или на запалителната свещ.



ПРЕДУПРЕЖДЕНИЕ

Случайна искра от двигателя може да причини токов удар, пожар или експлозия, и може да доведе до захващане, травматична ампутация или разкъсни наранявания.

Преди да извършвате настройки или поправки:

- Разкачете кабелите на всички запалителни свещи и ги дръжте далеч от тях.
- Разкачете кабела от отрицателната клемма на акумулатора (само при двигатели с електрически стартер).
- Използвайте само правилните инструменти.

Когато проверявате за искра:

- Използвайте одобрен тестер за свещи.
- Не проверявайте за искра при извадена запалителна свещ.



ПРЕДУПРЕЖДЕНИЕ

Резервните части трябва да бъдат със същата конструкция и да се монтират в същото положение, както оригиналните части. Другите части може да се повредят или да се причини нараняване.

ПРЕДУПРЕЖДЕНИЕ

Всички компоненти, използвани при производството на този двигател, трябва да бъдат на мястото си за правилната му работа.

За всякакви дейности по поддръжката и сервизното обслужване на двигателя и негови части се обръщайте към упълномощен сервизен представител на Briggs & Stratton.

Сервизно обслужване по контрола на вредните емисии

За поддръжка, смяна или ремонт на устройствата и системите за контрол на вредните емисии, се свържете с квалифициран ремонтен цех или техник, ремонтиращ двигатели, които не се използват за транспортни цели. Все пак, за „безплатно“ сервизно обслужване по контрола на вредните емисии, работата трябва да бъде изпълнена от упълномощен представител на завода. Вижте Отчетите по контрола на вредните емисии.

График за техническо обслужване

След първите 5 часа
<ul style="list-style-type: none"> Смяна на маслото на двигателя¹.
На интервали от 8 часа или ежедневно
<ul style="list-style-type: none"> Проверете нивото на моторното масло. Почистете повърхностите около шумозаглушителя и приборите за управление. Почистете решетката на отвора за въздух.
На интервали от 25 часа или годишно
<ul style="list-style-type: none"> Почистете въздушния филтър². Почистете предфилтъра².
На интервали от 50 часа или годишно
<ul style="list-style-type: none"> Сменете маслото на двигателя³. Сменете масления филтър (ако има монтиран)³. Обслужете изпускателната система.
На интервали от 100 часа или годишно
<ul style="list-style-type: none"> Сменете маслото на двигателя⁴. Сменете масления филтър (ако има монтиран)⁴.
Ежегодно
<ul style="list-style-type: none"> Сменете запалителната свещ. Сменете въздушния филтър. Сменете предфилтъра. Сменете горивния филтър. Обслужете охлаждащата система¹. Проверете луфтовете на клапаните⁵.

¹ Само за двигатели без маслен филтър.

² Почиствайте по-често в условия на запрашеност или когато във въздуха има много частици.

³ Двигатели без маслен филтър или със стандартен черен маслен филтър. За каталожния номер вижте раздел *Технически данни*.

⁴ Двигател с жълт или оранжев маслен филтър с висока ефективност. За каталожния номер вижте раздел *Технически данни*.

⁵ Не се изисква, освен ако не възникнат проблеми в работата на двигателя.

Система за електронно управление на горивото

Системата за електронно управление на горивото наблюдава температурата и оборотите на двигателя, както и напрежението на акумулатора, за да регулира смукача при стартиране и загряване на двигателя. Системата не се нуждае от

регулиране. Ако възникнат проблеми при стартирането или работата, свържете се с упълномощен сервизен представител на Briggs & Stratton.

ПРЕДУПРЕЖДЕНИЕ Уверете се, че следвате тези правила или системата за електронно управление на горивото може да се повреди.

- НЕ стартирайте двигателя при разхлабени кабели на акумулатора.
- Преди да свържете кабелите за стартиране или да разкачите или свържете отново кабелите на акумулатора, завъртете ключа за запалването до позиция ИЗКЛ. Когато зареждате акумулатора, завъртете ключа за запалването до позиция ИЗКЛ.
- При разкачване на кабелите на акумулатора, първо разкачете отрицателния (-), а след това положителния (+) кабел. При свързване на кабелите на акумулатора, първо свържете положителния (+), а след това отрицателния (-) кабел.
- НЕ използвайте зарядно устройство за акумулатора, за да стартирате двигателя.
- НЕ разкачвайте кабелите на акумулатора по време на работа на машината.
- НЕ пръскайте вода директно върху блока за електронно управление.

Карбуратор и обороти на двигателя

Не регулирайте карбуратора, пружината на центробежния регулатор, лостовите връзки или други части с цел регулиране оборотите на двигателя. Ако се налагат регулирания се свържете с упълномощен сервизен представител на Briggs & Stratton за обслужване.

ПРЕДУПРЕЖДЕНИЕ

Производителят на оборудването определя максималните обороти за двигателя, който е монтиран. Не превишавайте тези обороти. Ако не сте сигурни какви са максималните обороти на оборудването или какви обороти са регулирани от завода, свържете се с упълномощен сервизен представител на Briggs & Stratton за помощ. За безопасна и правилна работа на оборудването, оборотите на двигателя трябва да се регулират само от квалифициран сервизен техник.

Сервизно обслужване на изпускателната и охладителната системи



ПРЕДУПРЕЖДЕНИЕ

По време на работа, двигателят и шумозаглушителят се нагорещават. Ако докоснете горещ двигател, може да се изгорите.

Запалимите материали, като листа, трева и сухи клонки, могат да се запалят.

- Преди да докоснете двигателя или шумозаглушителя, спрете двигателя и изчакайте две (2) минути. Уверете се, че е безопасно да докосвате двигателя и шумозаглушителя.
- Отстранете отпадъците от шумозаглушителя и двигателя.

Според Правилника на Калифорния за обществените ресурси, раздел 4442, използването или работата с двигателя по залесени с гори, храсти или с тревни площи представлява нарушение, освен ако системата за отработени газове не е снабдена с искрогасител, поддържан в ефикасно работно състояние, както е определено в раздел 4442. Други щати или федерални юрисдикции могат да имат подобни закони; за справка – Федерален регламент 36 CFR, част 261.52. Свържете се с производителя, търговеца или продавача на оригинално оборудване, за да получите искроуловител, проектиран за системата за отработени газове на този двигател.

Това е двигател с въздушно охлаждане. Замърсявания или нежелани материали могат да възпрепятстват въздушния поток и да доведат до прекомерно загряване на двигателя. Това влошава работните характеристики и съкращава живота на двигателя. Между ребрата за охлаждане на цилиндъра могат да съберат нежелани замърсявания, които не могат да бъдат премахнати без частично разглобяване на двигателя. Системата за въздушно охлаждане трябва да се проверява и почиства само от упълномощен сервизен представител на Briggs & Stratton. Вижте *Графика за техническо обслужване*.

- Уверете се, че около и зад шумозаглушителя няма запалими материали.
- Използвайте четка и сух парцал, за да отстраните всички нежелани материали от зоната на кожата на вентилатора, на шумозаглушителя и на цилиндъра. НЕ ИЗПОЛЗВАЙТЕ вода за почистване на двигателя.
- Уверете се, че лостовите системи, пружините и органите за управление са чисти.
- Проверете шумозаглушителя за пукнатини, корозия или друг вид повреда.
- Свалете дефлектора или искрогасителя, ако има такива, и ги проверете за повреда или запушване със сажди. Преди да работите отново с оборудването се уверете, че сте извършили необходимото почистване или монтаж на резервните части.
- Ако има монтиран маслен радиатор, уверете се, че ребрата му не са замърсени.

Обслужване на запалителната свещ

Проверявайте искровата междина на запалителната свещ (А, фигура 7) с помощта на измервателен прибор за кабели (В). Ако е необходимо, регулирайте искровата междина на запалителната свещ. Монтирайте и затегнете запалителната свещ с препоръчвания въртящ момент. За спецификации за междината или въртящия момент, вижте раздел **Спецификации**.

Смяна на маслото на двигателя

ПРЕДУПРЕЖДЕНИЕ



Горивото и неговите пари са възпламеними и взривоопасни. Пожар или експлозия може да доведе до изгаряния или смърт.

По време на работа, двигателят и шумозаглушителят се нагорещават. Ако докоснете горещ двигател, може да се изгорите.

- Ако източвате маслото от горната тръба за пълнене на масло, резервоарът за гориво трябва да бъде празен. Ако не е празен, може да изтече гориво и да причини пожар или експлозия.
- Преди да докоснете двигателя или шумозаглушителя, спрете двигателя и изчакайте две (2) минути. Уверете се, че е безопасно да докосвате двигателя и шумозаглушителя.

Отработеното масло е опасен отпадъчен продукт и трябва да се изхвърля по подходящ начин. Да не се изхвърля с домакинските отпадъци. Свържете се с местните власти, обслужващият център или представител за безопасно депониране или рециклиране.

Раздел Източване на маслото

- При ИЗКЛ., но все още топъл двигател, откачете кабела (-те) на запалителната (-те) свещ (-и) (D, фигура 8) и го/ги дръжте далече от запалителната (-те) свещ (-и) (E).
- Извадете щеката на нивопоказателя (А, Фигура 9).

Пробка за източване на маслото, ако има монтирана

- Свалете пробката от отвора за източване на маслото (F, фигура 10). Източете маслото в подходящ контейнер.

ЗАБЕЛЕЖКА: Двигателят може да е снабден с пробки за източване на маслото (G, фигура 10).

- След като маслото се източи, завийте и затегнете пробката (F, фигура 10).

Маркуч за бързо източване, ако има монтиран

- Откачете маркуча за бързо източване на маслото (H, фигура 11), разположен отстрани на двигателя.
- Завъртете и свалете капачката му (I, фигура 11). Внимателно спуснете наведете отвора за бързо източване на маслото (H) в одобрен контейнер (J).
- След като маслото се източи, поставете отново капачката на маркуча (I, фигура 11). Закачете маркуча за бързо източване (H) към двигателя.

Доливане на масло

- Уверете се, че двигателят е разположен хоризонтално.
- Почистете от всички отпадъци мястото около отвора за наливане на масло.
- Вижте раздел **Технически данни** относно вместимостта за маслото.

- Извадете щеката на нивопоказателя (А, Фигура 3). С чиста кърпа почистете маслото от щеката на нивопоказателя.
- Бавно налейте масло в отвора за наливане на масло в двигателя (С, Фигура 3). **Не добавяйте прекалено много масло в резервоара за моторно масло.** Изчакайте една минута и отново проверете нивото на маслото.

ЗАБЕЛЕЖКА: Не добавяйте масло в бързото източване, ако има такова.

- Поставете и затегнете щеката на нивопоказателя (А, Фигура 3).
- Свалете нивопоказателя и проверете нивото на маслото. Коригирайте нивото на маслото до горния белег за напълване (В, фигура 3) върху нивопоказателя.
- Поставете и затегнете щеката на нивопоказателя (А, Фигура 3).
- Свържете кабела(ите) на запалителната (-те) свещ (-и) със запалителната (-те) свещ (-и). Вижте раздел **Източване на маслото**.

Смяна на масления филтър

- Източете маслото от двигателя. Вижте раздел **Източване на маслото**.
- Свалете масления филтър (H, фигура 12) и го изхвърлете правилно.
- Преди да поставите новия маслен филтър, леко намажете уплътнението му с чисто масло.

- Поставете масления филтър с ръка, докато уплътнението докосне адаптера му, след това затегнете масления филтър с 1/2 до 3/4 оборота.
- Долейте масло. Вижте раздел **Доливане на масло**.
- Двигателят трябва да се стартира и да работи. Докато двигателят загрява, проверете за течове на масло.
- Спрете двигателя. Уверете се, че нивото на маслото е до горната част на индикатора за напълване върху щеката. Вижте раздел **Доливане на масло**.

Обслужване на въздушния филтър

ПРЕДУПРЕЖДЕНИЕ



Изпаренията на горивата са възпламеними и взривоопасни. Пожар или експлозия може да доведе до изгаряния или смърт.

- Не стартирайте и не работете с двигателя при демонтиран комплект на въздушния филтър (ако има такъв) или със свален въздушен филтър (ако има такъв).

ПРЕДУПРЕЖДЕНИЕ

Не използвайте състен въздух или разтворители, за да почистите филтъра. Състеният въздух може да причини повреда на филтъра, а разтворителите да го разтворят.

Вижте **Графика за техническото обслужване** относно изискванията за обслужване.

Различните модели използват хартиен филтър или филтър от пенопласт. Някои модели са оборудвани и с предфилтър (по желание), който може да се почиства и използва отново. Сравнете илюстрациите в това ръководство с типа филтър, монтиран на Вашия двигател и го обслужвайте, както следва.

Хартиен въздушен филтър (с предфилтър)

- Освободете фиксатора/ите (А, фигура 13).
- Свалете капака на въздушния филтър (В, фигура 13).
- Свалете филтъра (С, фигура 13) и предфилтъра (D), ако има монтиран.
- Леко чукнете въздушния филтър върху твърда повърхност, за да изпаднат попадналият в него частици. Ако филтърът е замърсен, сменете го с нов.
- Промийте предфилтъра (D, фигура 13) във вода с разтворен в нея почистващ препарат. Оставете предфилтъра да изсъхне хубаво. **НЕ** омаслявайте предфилтъра.
- След като предфилтърът (D, фигура 13) изсъхне, го закрепете заедно с филтъра (С) към основата (E).
- Поставете капака на въздушния филтър (В, фигура 13) и го закрепете с фиксатора/ите (А). Уверете се, че фиксаторите са затегнати.

Монтаж на въздушен филтър (Касета с предфилтър)

- Освободете фиксатора/ите (А, фигури 14, 15).
- Свалете капака на въздушния филтър (В, фигури 14, 15).
- За да свалите въздушния филтър (С, фигури 14, 15), повдигнете края му.
- Леко чукнете въздушния филтър върху твърда повърхност, за да изпаднат попадналият в него частици. Ако филтърът е замърсен, сменете го с нов.
- Свалете предфилтъра (D, фигури 14, 15) от филтъра (С).
- Промийте предфилтъра (D, фигури 14, 15) във вода с разтворен в нея почистващ препарат. Оставете предфилтъра да изсъхне хубаво. **НЕ** омаслявайте предфилтъра.
- След като предфилтърът (D, фигури 14, 15) изсъхне, го монтирайте отново към филтъра.
- Поставете филтъра (С, фигури 14, 15) и предфилтъра (D) върху основата (E) и натиснете надолу, докато чуete щракване.
- Поставете капака на въздушния филтър (В, фигури 14, 15) и го закрепете с фиксатора/ите (А). Уверете се, че фиксаторите са затегнати.

Обслужване на горивната система

ПРЕДУПРЕЖДЕНИЕ



Горивото и неговите пари са възпламеними и взривоопасни. Пожар или експлозия може да доведе до изгаряния или смърт.

- Дръжте горивото далече от искри, открити пламъци, пилотни светлини, топлина и други източници на запалване.
- Често преглеждайте горивопроводите, резервоара за гориво, капачката на горивото и връзките за наличие на пукнатини или течове. Подменете повредените части.
- Ако горивото се разлее, изчакайте, докато се изпари преди да стартирате двигателя.

Горивен филтър, ако има такъв

1. Преди смяна на горивния филтър (А, Фигура 16) източете резервоара или затворете кранчето за подаване на гориво. Ако резервоарът не е източен, може да изтече гориво и да причини пожар или експлозия.
2. Стиснете с клещи краищата (В, Фигура 16) на скобите (С) и свалете скобите от горивния филтър (А).
3. Извадете (с въртене) горивопроводите (D, Фигура 16) от горивния филтър.
4. Проверете горивопроводите (D, Фигура 16) за пукнатини или течове. Ако е необходимо, сменете горивопроводите.
5. Сменете горивния филтър (А, Фигура 16).
6. Закачете горивопроводите (D, Фигура 16) със скобите (С).

Складиране Горивна система

Вижте Фигура 17.



ПРЕДУПРЕЖДЕНИЕ

Горивото и неговите пари са възпламеними и взривоопасни. Пожар или експлозия може да доведе до изгаряния или смърт.

Съхранение на горивото

- Тъй като сигналните светлини или други източници на запалване могат да причинят експлозии, дръжте горивото или оборудването далеч от пещи, печки, бойлери или други уреди, които имат сигнални светлини.

Поддържайте нивото на двигателя (нормално работно положение). Напълнете резервоара за гориво (А, фигура 17) с гориво. За да се даде възможност за топлинно разширение на горивото, не пълнете над гърлото на резервоара за гориво (В).

Горивото може да застои, когато се съхранява повече от 30 дни. За да се предотврати влошаването на качествата му, се препоръчва използването на стабилизатор на гориво, несъдържащ алкохол, както и на етанолова добавка.

Когато пълните туба с гориво, добавете стабилизатор на гориво, несъдържащ алкохол, съгласно инструкциите на производителя. Ако бензинът в двигателя не е третиран със стабилизатор, трябва да се източи в подходящ контейнер. Оставете двигателя да работи докато останалото в него гориво свърши.

Масло на двигателя

Докато двигателят е все още топъл, сменете маслото. Вижте раздел **Смяна на двигателното масло**.

Откриване и отстраняване на неизправности

Съдействие

За помощ, се свържете с Вашия местен търговец или отидете на BRIGGSandSTRATTON.COM, или се обадете на **1-800-444-7774** (в САЩ).

Спецификации и резервни части

Раздел Спецификации	Модел: 400000	Модел: 440000
Работен обем	40.03 куб. инча (656 куб. см)	44.18 куб. инча (724 куб. см)
Отвор	2.970 инча (75,43 мм)	3.120 инча (79,24 мм)
Работен ход на буталото	2.890 инча (73,41 мм)	2.890 инча (73,41 мм)
Вместимост за масло	62 - 64 унции (1,8 - 1,9 л)	62 - 64 унции (1,8 - 1,9 л)
Искрова междина на запалителната свещ	.030 инча (.76 мм)	.030 инча (.76 мм)
Въртящ момент за затягане на запалителната свещ	180 фунт-инч (180 Nm)	180 фунт-инч (20 Nm)
Въздушна междина между ротора и статора	.008 - .012 инча (.20 - .30 мм)	.008 - .012 инча (.20 - .30 мм)
Междина на всмукателния клапан	.004 - .006 инча (.10 - .15 мм)	.004 - .006 инча (.10 - .15 мм)
Междина на изпускателния клапан	.004 - .006 инча (.10 - .15 мм)	.004 - .006 инча (.10 - .15 мм)

Раздел Спецификации	Модел: 490000
Работен обем	49.42 куб. инча (810 куб. см)
Отвор	3.300 инча (83,81 мм)
Работен ход на буталото	2.890 инча (73,41 мм)
Вместимост за масло	66 - 68 унции (1,9 - 2,0 л)
Искрова междина на запалителната свещ	.030 инча (.76 мм)
Въртящ момент за затягане на запалителната свещ	180 фунт-инч (180 Nm)
Въздушна междина между ротора и статора	.008 - .012 инча (.20 - .30 мм)
Междина на всмукателния клапан	.004 - .006 инча (.10 - .15 мм)
Междина на изпускателния клапан	.004 - .006 инча (.10 - .15 мм)

Сервизни части

За да закупите резервни части на Briggs & Stratton, намерете упълномощен сервизен представител на BRIGGSandSTRATTON.COM. Ще е необходим идентификационен номер (модел - тип - модификация). За да намерите идентификационния номер на двигателя, вижте раздел **Функции и органи за управление**.

Номинална мощност

Общата номинална мощност за отделните модели бензинови двигатели се определя в съответствие с код J1940 от Процедура за оценка на мощността и въртящия момент на малки двигатели на SAE (Асоциация на автомобилните инженери) и се оценява в съответствие със SAE J1995. Стойностите на въртящия момент са отчетени при 2 600 об./мин. за двигателите, чито „об./мин.“ са посочени на етикета, и при 3 060 об./мин. за всички останали; мощностите в конски сили са отчетени при 3 600 об./мин. Кривите на общата мощност могат да се видят на: www.BRIGGSandSTRATTON.COM. Стойностите на нетната мощност са отчетени при инсталирани системи за отделяне на изгорели газове и за почистване на въздуха, докато стойностите на общата мощност се отчитат без тези прикачни устройства. Действителната обща мощност на двигателя е по-висока от нетната мощност и зависи, освен всичко друго, от условията на работната среда, както и от специфичните особености на всеки двигател. Имайки предвид голямото разнообразие от устройства, на които се инсталират такива двигатели, бензиновият двигател може да не е в състояние да развива общата номинална мощност, когато се използва в даден вид оборудване. Тези разлики се дължат на различни фактори, включително, но без ограничение до разнообразните компоненти на двигателите (системи за почистване на въздуха, за отделяне на изгорели газове, за зареждане, за охлаждане, карбуратор, горивна помпа и др.), ограничения на приложението, условия на работната среда (температура, влажност, надморска височина), както и от специфичните особености на всеки двигател. Вследствие на ограниченията за производство и капацитет, Briggs & Stratton може да замени този двигател с двигател с по-висока номинална мощност.

Гаранция

Гаранция за двигател Briggs & Stratton®

В сила от м. август 2022 г.

Ограничена гаранция

Фирма Briggs & Stratton гарантира, че по време на указания по-долу гаранционен период ще поправи или замени безплатно всяка част, оказала се дефектна по отношение на материалите или изработката, или и двете с нова, възстановена или преработена част, единствено по преценка на Briggs & Stratton. Транспортните разходи за изпратения за ремонт или за замяна продукт по тази гаранция трябва да бъдат поети от клиента. Тази гаранция е валидна за определения срок и се подчинява на изложените по-долу условия. За гаранционно обслужване намерете най-близкия упълномощен сервизен представител на картата в нашия указател на представителите в BRIGGSandSTRATTON.COM. Потребителят трябва да се свърже с упълномощен сервизен представител, на когото да предостави продукта за оглед и изпитване.

Няма друга изрична гаранция. Подразбиращите се гаранции, включително такива за годност за продажба или за определено предназначение, са ограничени до една година от датата на закупуване или до степента, разрешена от закона. Всички други подразбиращи се гаранции се изключват. Отговорността за непредвидени или закономерно настъпили вреди са изключени до степента на изключване, позволена от закона. Някои щати или държави не допускат ограничения за срока на валидност на подразбиращи се гаранции. Също така някои щати или държави не позволяват изключване или ограничаване на отговорността за случайни или закономерно настъпили повреди, така че горното ограничение и изключване може да не се отнася за Вас. Тази гаранция Ви дава определени законови права, а Вие можете да имате и други такива, които са различни в отделните щати и в отделните държави.

Стандартни гаранционни условия ^{1, 2}
Vanguard®; Серия за търговска употреба
Лична употреба - 36 месеца
Търговска употреба - 36 месеца
Серия XR
Лична употреба - 24 месеца
Търговска употреба - 24 месеца
Всички други двигатели с чугунена риза Dura-Bore™
Лична употреба - 24 месеца
Търговска употреба - 12 месеца
Всички други двигатели
Лична употреба - 24 месеца
Търговска употреба - 3 месеца

¹ Това са нашите стандартни гаранционни условия, но е възможно понякога да има допълнително гаранционно покритие, което не е било определено към момента на публикуване на този документ. За списък на текущите гаранционни условия за вашия двигател посетете BRIGGSandSTRATTON.com или се свържете с вашия упълномощен сервизен представител на Briggs & Stratton.

² Не се предоставя гаранция за двигатели, монтирани на оборудване, което се ползва като основен енергоизточник вместо централно електрозахранване; за резервни генератори, ползвани за търговски цели, за специализирани превозни средства с мощност над 25 к.с. или за двигатели, използвани за състезания, за търговски цели или за отдаване под наем.

* В Австралия – Нашите стоки се доставят с гаранции, които не могат да се изключват, по силата на австралийското законодателство за потребителите. При сериозен дефект имате право на замяна или възстановяване на сумата, както и на компенсация за всяка друга нормално предвидима загуба или повреда. Също така имате право на ремонт или замяна на стоката, в случай че тя не е с приемливо качество и повредата не може да се квалифицира като сериозен дефект. За гаранционно обслужване намерете най-близкия упълномощен сервизен представител на картата в нашия указател на представителите в BRIGGSandSTRATTON.COM или се обадете на 1300 274 447, изпратете имейл или пишете на salesenquiries@briggsandstratton.com.au, Briggs & Stratton Australia Pty Ltd, 1 Moorebank Avenue, Moorebank, NSW, Австралия, 2170.

Гаранционният период започва от датата на закупуване от първия потребител на дребно или от крайния потребител за търговски цели и продължава за периода, посочен в горната таблица. „Потребителска употреба“ означава употреба за лични и домашни цели от краен потребител. „Търговска употреба“ означава всеки друг вид употреба, включително за търговски цели, за генериране на доходи или за отдаване под наем. След като веднъж двигателят е бил ползван за търговска употреба, по-нататък той ще бъде считан като двигател за търговска употреба за целите на тази гаранция.

За да получите гаранция на продуктите Briggs & Stratton, не е необходима регистрация. Запазете касовата бележка като доказателство за покупката. Ако при заявяване на гаранционно обслужване не предоставите доказателство за датата на първоначално закупуване, за определяне на гаранционния срок ще бъде използвана датата на производство на продукта.

Относно Вашата гаранция

Тази ограничена гаранция покрива само употребен в двигателя дефектен материал и/или изработка, а не замяната или възстановяването на средствата за оборудването, към което двигателят може да е монтиран. Текущото техническо обслужване, регулировки, настройки или нормалното износване и изхабяване не са покрити от тази гаранция. Също така, гаранцията е невалидна, ако двигателят е видоизменян, преобразуван или серийният му номер е повреден или отстранен. Тази гаранция не покрива повреди или проблеми с работата на двигателите причинени от:

1. използването на части, които не са Briggs & Stratton
2. експлоатиране на двигателя с недостатъчно, замърсено или неправилно избрано масло за смазване;
3. Използване на замърсено или престояло гориво, на бензин, съдържащ над 10% етанол, или използването на алтернативни горива като втечен пропан-бутан или метан за двигатели, които поначало не са проектирани/ произведени от Briggs & Stratton да работят с такива горива;
4. Замърсявания попаднали в двигателя вследствие на неправилно техническо обслужване или неправилно сглобяване на въздушния филтър;
5. удяране на предмет с режещия нож на ротационната полева косачка, разхлабени или неправилно поставени адаптери за ножовете, лопатките или други устройства, свързани към коляновия вал, или от прекомерно натягане на трапецовидния ремък;
6. Свързани части или сборки, като съединители, трансмисии, органи за управление и други, които не са доставени от Briggs & Stratton;

7. прегряване, дължащо се на окосена трева, на замърсяване или отломки, или на гнезда на гризачи, които запушват или задръстват охлаждащите пластини или кожуха на маховика, или работа на двигателя без достатъчно охлаждане;
8. прекомерна вибрация, причинена от превишени обороти, хлабав монтаж на двигателя, хлабави или небалансирани ножове или перки, или неправилно свързване на елементите на оборудването към коляновия вал;
9. неправилна употреба, липса на редовно техническо обслужване, неправилно транспортиране, маневриране или складиране на оборудването или неправилен монтаж на двигателя.

Гаранционното обслужване се предоставя само чрез упълномощените сервизни представители на Briggs & Stratton. Намерете най-близкия упълномощен сервизен представител на картата в нашия указател на представителите в BRIGGSandSTRATTON.COM или като се обадите на 1-800-444-7774 (в САЩ).

80114782 (Версия А)

Obecné informace



Tato příručka obsahuje bezpečnostní informace o nebezpečí a rizicích, která souvisí s motorem, a jak ji předcházet. Obsahuje i pokyny, jak řádně motor používat a jak se něj starat. Je důležité, abyste si tyto pokyny přečetli, porozuměli jim a dodržovali je. **Návod si uschovejte pro budoucí potřebu.**

POZNÁMKA: Obrázky a ilustrace v tomto návodu slouží pouze pro referenční účely a mohou se lišit od vašeho specifického modelu. Použijte obrázky, které odpovídají konfiguraci vašeho motoru. V případě nutnosti kontaktujte autorizované servisní středisko.

Zapište si datum zakoupení, model motoru, typové a kódové číslo a sériové číslo motoru pro náhradní díly. Tato čísla jsou na motoru. Viz část **Funkce a ovládací prvky**.

Datum zakoupení	
Model motoru – typ – označení	
Sériové číslo motoru	

Kontaktní údaje evropské kanceláře

Pokud jde o dotazy ohledně emisí v Evropě, obraťte se prosím na naši evropskou kancelář na adrese:


Max-Born-Straße 2, 68519 Viernheim, Německo.

Emisní norma V (5) evropské unie (EU): Hodnoty oxidu uhličitého (CO₂)

Hodnoty oxidu uhličitého pro motory Briggs & Stratton se schváleným certifikátem EU najdete tak, že do vyhledávacího okna na webu BriggsandStratton.com zadáte CO₂.

Bezpečnost obsluhy

Bezpečnostní výstražné symboly a signální slova

Bezpečnostní varovná značka  uvádí bezpečnostní informace o rizicích, která mohou vést ke zranění osob. Signální slovo (**NEBEZPEČÍ**, **VAROVÁNÍ** nebo **POZOR**) upozorňuje na pravděpodobnost a možnost vážnosti poškození. Výstražný symbol se navíc používá k zobrazení typu rizika.

NEBEZPEČÍ ukazuje riziko, které, jestliže se mu nevyvarujete, **povede** ke smrti nebo vážnému poranění.

VAROVÁNÍ ukazuje na riziko, které, jestliže se mu nevyvarujete, **může vést** ke smrti nebo vážnému poranění.

POZOR ukazuje na riziko, které, jestliže se mu nevyvarujete, **může vést** ke menšímu či středně závažnému poranění.

UPOZORNĚNÍ označuje informace považované za důležité, ale nesouvisející s riziky.

Výstražné symboly a jejich význam

 Bezpečnostní informace o rizicích, která mohou vést k poraněním.	 Před provozem či prováděním servisu jednotky si přečtěte návod k obsluze.
 Riziko požáru	 Riziko výbuchu
 Nebezpečí zásahu elektrickým proudem	 Riziko toxických plynů
 Riziko horkého povrchu	 Nebezpečí zpětného rázu
 Riziko amputace – pohyblivé součásti	 Hladina paliva – maximum Nepřepĺnujte



Bezpečnostní upozornění



VAROVÁNÍ

Motory značky Briggs & Stratton® nejsou konstruovány pro pohánění následujících zařízení a nesmějí být tedy takto používány: vozítka, motokáry, dětská, rekreační nebo sportovní terénní vozidla (ATV), motocykly, vznášedla, letecké výrobky nebo vozidla používaná v soutěžích, které společnost Briggs & Stratton neschválila. Informace o soutěžních a závodních výrobcích naleznete na adrese www.briggsracing.com. Informace o používání ve čtyřkolkách a ATV vozidlech side-by-side získáte v Power Application Center, středisku pro aplikaci motorů společnosti Briggs & Stratton, tel. 1-866-927-3349. Nesprávné použití motoru by mohlo vést ke smrti či vážnému poranění.

Informace o recyklaci

		Veškeré kartony, krabice, použitý olej a baterie recyklujte v souladu s příslušnými předpisy.
---	--	---






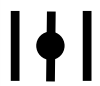


Funkce a ovládací prvky

Ovládací prvky motoru

Porovnejte písmena štítku na obrázcích 1 a 2 s ovládacími prvky motoru v následujícím seznamu:

- Identifikace motoru **Model - Typ - Kód**
- Zapalovací svíčka
- Vzduchový filtr
- Ponorná měrka oleje
- Vypouštěcí zátka oleje
- Kryt skříně ventilátoru
- Olejový filtr
- Elektrický spouštěč
- Karburátor
- Palivový filtr (je-li jím motor vybaven)
- Palivové čerpadlo (je-li jím motor vybaven)
- Rychlé vypuštění oleje (je-li jím motor vybaven)
- Chladič oleje (je-li jím motor vybaven)
- Elektrická řídicí jednotka (je-li jí motor vybaven)

Symbole ovládání motoru a jejich význam

 Rychlost motoru – RYCHLE	 Rychlost motoru – POMALU
 Rychlost motoru – STOP	 ZAPNUTO – VYPNUTO
 Spouštění motoru Sytič ZAVŘENÝ	 Spouštění motoru Sytič OTEVŘENÝ
 Zátka nádrže Palivový uzavírací ventil OTEVŘENÝ	 Palivový uzavírací ventil ZAVŘENÝ

Provoz



VAROVÁNÍ
Paliva jsou hořlavá a páry jsou výbušné. Oheň či exploze mohou způsobit vážné popáleniny nebo smrt.

Pokud ucítíte plyn

- Nespouštějte motor.
- Nezapínajte elektrické spínače.
- Netelefonujte v blízkosti zařízení.
- Opusťte prostor.
- Obrat'te se na hasiče.

Během provozu stroje

- Nenakláňajte motor ani zařízení tak, aby nedošlo k úniku paliva.

Při převážení zařízení

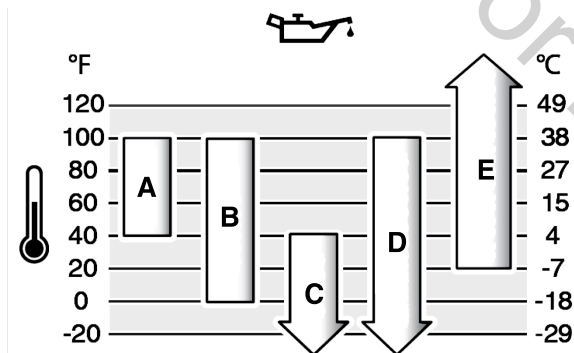
- Zajistěte, aby byla palivová nádrž PRÁZDNÁ nebo aby byl ZAVŘENÝ uzavírací palivový ventil, pokud je nainstalován.

Doporučení k oleji

Množství oleje: Viz část **Technické údaje**.

Pro nejlepší výkon doporučujeme použití olejů schválených pro použití s výrobky Briggs & Stratton®. Povolené jsou i jiné kvalitní oleje s čistícím aditivem za předpokladu, že jsou označené pro provoz ve třídě SF, SG, SH, SJ či vyšší. Nepoužívejte speciální aditiva.

K výběru nejlepší viskozity pro očekávanou venkovní teplotu použijte tabulku. Motory ve většině venkovních motorových strojů správně fungují se syntetickým olejem 5W-30. V zařízeních provozovaných při vysokých teplotách poskytují nejlepší ochranu syntetický olej Vanguard® 15W-50.



A	SAE 30 - Při teplotách pod 40 °F (4 °C) povede použití SAE 30 k obtížnému startování.
B	10W-30 - Při teplotách nad 80 °F (27 °C) povede použití 10W-30 k zvýšené spotřebě oleje. Hladinu oleje pravidelně kontrolujte.
C	5W-30
D	Syntetický 5W-30
E	Syntetický Vanguard® 15W-50

Kontrola množství oleje

Před kontrolou nebo doplněním oleje

- Zkontrolujte, zda je motor vyvážen a zda stojí rovně.
- Plochu pro plnění oleje vyčistěte.
- Množství oleje viz část **Technické údaje**.

UPOZORNĚNÍ

Tento motor byl z továrny Briggs & Stratton vyexpedován bez oleje. Je možné, že olej do motoru přidali výrobci zařízení nebo prodejci. Před prvním spuštěním motoru zkontrolujte správnou hladinu oleje. Doplněte olej podle pokynů v této příručce. Pokud spustíte motor bez oleje, může dojít k jeho neopravitelnému poškození, na které se nebude vztahovat záruka.

1. Vyjměte měрку (A, obrázek 3) a očistěte ji hadříkem.
2. Vrat'te zpět měрку a dotáhněte ji (A, obrázek 3).
3. Měрку vyndejte a překontrolujte množství oleje. Zkontrolujte, zda hladina oleje dosahuje k horní rýsce ukazatele naplnění (B, obrázek 3) na měrcce.
4. Pokud je hladina oleje nízká, nalévejte olej pomalu do plnicího otvoru (C, obrázek 3). Nepřidávejte příliš mnoho oleje.
5. Počkejte jednu minutu a znovu zkontrolujte hladinu oleje. Zkontrolujte, zda je hladina oleje správná.

6. Vrat'te zpět měрку a dotáhněte ji (A, obrázek 3).

System ochrany před nízkou hladinou oleje (je-li jím motor vybaven)

Na některých motorech je nainstalován senzor nízkého stavu oleje. V případě nízkého stavu oleje senzor rozsvítí výstražnou kontrolku nebo vypne motor. Vypněte motor a před dalším spuštěním proveďte následující kroky.

- Zajistěte, aby se motor nacházel ve vodorovné poloze.
- Zkontrolujte olej. Viz část **Kontrola stavu oleje**.
- Pokud se stav oleje nízký, doplňte správné množství oleje. Nastartujte motor a zkontrolujte, zda se nerozsvítí výstražná kontrolka (pokud je nainstalována).
- Pokud olej nemá nízký stav, nespouštějte motor. Požádejte autorizované servisní středisko Briggs & Stratton o odstranění problému s olejem.

Doporučení k palivu

Palivo musí splňovat následující požadavky:

- Čistý, čerstvý, bezolovnatý benzin.
- Minimálně 87 oktanů/87 AKI (91 RON). Pro použití ve vysokých nadmořských výškách, viz níže.
- Je povolen benzin s obsahem až 10 % etanolu.

UPOZORNĚNÍ

Nepoužívejte neschválené benziny, jako je například E15 nebo E85. Nepřidávejte do benzínu olej ani neupravujte motor pro provoz s alternativními palivy. Použití neschválených paliv může způsobit poškození součástí motoru, na které se nevztahuje záruka.

Na ochranu palivového systému před gumováním a korozi přimíchejte do paliva stabilizátor paliva bez alkoholu a etanol. Viz část **Skladování**. Všechna paliva nejsou stejná. Jestliže dojde k problémům se spuštěním či výkonem, změňte dodavatele či značku paliva. Schváleným palivem pro tento motor je benzin. Systém řízení emisí pro motory s karburátorem je EM (Modifikace motoru). Systémy řízení emisí pro motory s elektronickým vstřikováním paliva jsou ECM (řídící jednotka motoru), MFI (vícebodové vstřikování paliva), TBI (vstřikování paliva škrtkicí klapkou) a případně O2S (snímač obsahu kyslíku).

Vysoké nadmořské výšky

V nadmořských výškách nad 5 000 stop (1 524 metrů) je vyžadován benzin minimálně 85 oktanů/85 AKI (89 RON).

Motory s karburátory si pro udržení výkonu při vysoké nadmořské výšce vyžadují úpravy. Provoz bez této úpravy může snížit výkonnost, zvýšit spotřebu paliva a zvýšit vylučování emisí. Informace o seřízení pro vyšší nadmořské výšky získáte u autorizovaného prodejce značky Briggs & Stratton. Motor se seřízením pro vysoké nadmořské výšky se nedoporučuje používat při nadmořské výšce pod 2 500 stop (762 metrů).

U motorů vybavených elektronickým vstřikováním paliva (EFI) není seřízením pro velké nadmořské výšky nutné.

Přidávání paliva



VAROVÁNÍ
Palivo a jeho výpary jsou vysoce hořlavá a výbušná. Oheň či exploze mohou způsobit vážné popáleniny nebo smrt.

Při doplňování paliva

- Vypněte motor. Před sejmutím uzávěru palivové nádrže počkejte alespoň dvě (2) minuty, aby se motor ochladil.
- Palivovou nádrž doplňujte venku nebo na dobře větraném místě.
- Palivovou nádrž nepřelévajte. Aby se umožnila expanze paliva, netankujte nad spodní část hrdla nádrže.
- Palivo udržujte mimo jiskry, otevřený oheň, pilotní světla, teplo nebo jiné zdroje vzplanutí.
- Pravidelně kontrolujte, zda palivové potrubí, palivová nádrž, uzávěr palivové nádrže a spoje nejsou popraskané nebo zda nedochází k úniku. Poškozené díly vyměňte.
- Jestliže dojde k rozliti paliva, před dalším nastartováním motoru vyčkejte, než se palivo odpaří.

1. Odstraňte z oblasti kolem uzávěru palivové nádrže nečistoty a usazeniny. Sejměte palivovou zátku.
2. Do palivové nádrže (A, obrázek 4) dolejte palivo. Neplňte nad spodní část hrdla nádrže (B), protože palivo se rozpíná.
3. Namontujte kryt palivové nádrže.

Startování motoru



VAROVÁNÍ

RIZIKO VZNIKU JEDOVATÝCH PLYNŮ. Výfukové plyny z motoru obsahují oxid uhelnatý, jedovatý plyn, který může během několika minut zabít. I když výfukové plyny necítíte, přesto můžete být oxidu uhelnatému vystaveni. Jestliže při používání tohoto zařízení začnete cítit nevolnost, závratě či slabost, **OKAMŽITĚ** ho vypněte a jděte na čerstvý vzduch. Vyhledejte lékaře. Mohlo u vás dojít k otravě oxidem uhelnatým.

- Oxid uhelnatý se může hromadit v obytných prostorech. Tento produkt používejte VÝHRADNĚ v dostatečné vzdálenosti od oken, dveří a větracích otvorů.
- Nainstalujte alarmy na oxid uhelnatý (na baterie či síťové se záložním napájením z baterie) v souladu s pokyny výrobce. Detektory kouře nedokáží oxid uhelnatý odhalit.
- Tento produkt **NEPOUŽÍVEJTE** uvnitř domů, garáží, sklepů, stodol či jiných částečně uzavřených prostor, i když používáte větrák či máte otevřené dveře a okna pro větrání. Po používání tohoto výrobku se oxid uhelnatý může v těchto prostorech hromadit a zdržovat několik hodin.
- Tento produkt **VŽDY** umístěte po větru a výfuk namířte směrem mimo obydlené prostory.



VAROVÁNÍ

Palivo a jeho výpary jsou vysoce hořlavé a výbušné. Oheň či exploze mohou způsobit vážné popáleniny nebo smrt.

Když startujete motor

- Zkontrolujte, zda jsou správně nainstalované svíčky, tlumič výfuku, víčko palivové nádrže a vzduchový filtr (je-li ve výbavě).
- Nestartuje motor s demontovanými svíčkami.
- Pokud je motor přesytný, přesuňte ovladač sytiče do polohy OTEVŘENO nebo CHOD. Přemístěte ovládání plynu do polohy RYCHLE (je-li k dispozici) a protáčejte motor, dokud se nenastartuje.
- Jestliže je v oblasti únik zemního plynu nebo LPG, nespouštějte motor.
- Nepoužívejte stlačené startovací kapaliny, jejich páry jsou hořlavé.



VAROVÁNÍ

Otáčivé části se mohou dostat do styku nebo zachytit ruce, nohy, vlasy, oděv či výstroj. Může dojít k těžkým tržným ranám až amputacím končetin.

- Tento stroj provozujte se správně nasazenými chrániči.
- Udržujte ruce a nohy v dostatečné vzdálenosti od rotujících součástí.
- Odložte šperky a nepřibližujte se k točivým částem s volnými dlouhými vlasy.
- Nenoste volně vlající oděv nebo věci, které mohou být zachyceny.

- Překontrolujte motorový olej. Viz část **Kontrola stavu oleje**.
- Ujistěte se, že jsou deaktivovány ovládací prvky zařízení (je-li jimi motor vybaven).
- Otočte palivový uzavírací ventil (A, Obrázek 5), je-li jím zařízení vybaveno, do polohy OTEVŘENO
- Posuňte ovladač akcelérátoru (B, Obrázek 5), je-li jím motor vybaven, do polohy RYCHLE.
- U modelů s ovládáním sytiče** (C, Obrázek 5), je-li nainstalováno, posuňte ovladač sytiče do polohy ZAVŘENO. **U modelů s kombinací ovládání sytiče / plynu** (G, Obrázek 5), je-li nainstalováno, posuňte ovladač sytiče do polohy SYTIČ. **U modelů se systémem ReadyStart®** přejděte na další krok.

POZNÁMKA: Při opětovném startování zahřátého motoru již obvykle není nutné použít sytič.

- Otočte klíček zapalování (D, Obrázek 5), je-li jím zařízení vybaveno, do polohy ON/START, nebo stiskněte tlačítko (E).
- Když se motor zahřeje, přesuňte ovladač sytiče (C, Obrázek 5), je-li jím zařízení vybaveno, do polohy OTEVŘENO.

Vypněte motor



VAROVÁNÍ

Palivo a jeho výpary jsou vysoce hořlavé a výbušné. Oheň či exploze mohou způsobit vážné popáleniny nebo smrt.

- Motor se nesmí zastavovat zahlcením karburátoru, je-li jím motor vybaven.

- Přemístěte ovládání akcelérátoru do polohy POMALU a otočte spínač elektrického spouštění (D, Obrázek 6), je-li nainstalováno, do polohy VYPNUTO.

- Vyjměte klíč a uložte jej na bezpečném místě.
- Po zastavení motoru přepněte uzavírací palivový ventil (A, Obrázek 6), je-li jím motor vybaven, do polohy ZAVŘENO.

Údržba

Informace o údržbě



VAROVÁNÍ

Palivo a jeho výpary jsou vysoce hořlavé a výbušné. Oheň či exploze mohou způsobit vážné popáleniny nebo smrt.

Pokud je při údržbě nezbytné stroj naklonit, zajistěte, aby palivová nádrž, pokud je nainstalovaná na motoru, byla prázdná a aby byla strana zapalovací svíčky nahore. Pokud palivová nádrže není prázdná, může dojít k úniku paliva, což může vést k požáru nebo výbuchu. Pokud je motor nakloněn jiným směrem, nebude možné jej snadno nastartovat z důvodu znečištění vzduchového filtru nebo zapalovací svíčky olejem nebo palivem.



VAROVÁNÍ

Náhodná jiskra z motoru může způsobit úraz elektrickým proudem, požár nebo výbuch, zachycení, těžkou tržnou ránu nebo amputaci končetiny.

Před prováděním nastavení nebo oprav:

- Odpojte kabely zapalovacích svíček a uložte je mimo zapalovací svíčky.
- Odpojte kabel baterie od záporného pólu baterie (pouze motory s elektrostartérem).
- Používejte pouze správné nástroje.

Při kontrole jiskry:

- Použijte schválenou zkoušečku svíček.
- Nekontrolujte jiskru, když je zapalovací svíčka vyjmutá.



VAROVÁNÍ

Náhradní díly musí být stejné a namontované do stejné polohy jako původní část. Další součásti by mohly způsobit poškození nebo zranění.

UPOZORNĚNÍ

Aby motor správně pracoval, musí všechny jeho součásti zůstat na svém místě.

Svěřte veškerý servis a údržbu motorů a jejich dílů některému z autorizovaných servisních středisek Briggs & Stratton.

Servis kontroly emisí

Údržbu, výměnu nebo opravu zařízení a systému na kontrolu emisí může provést kterýkoli zařízení nebo jednotlivec, již se specializují na opravu motorů nepoužívaných na silnicích. Chcete-li však mít servis řízení emisí „zdarma“, musí práci provádět prodejce autorizovaný továrnou. Viz prohlášení o kontrole emisí.

Plán údržby

Prvních 5 hodin
<ul style="list-style-type: none">Vyměňte motorový olej¹.
V intervalech 8 hodin nebo denně
<ul style="list-style-type: none">Zkontrolujte hladinu motorového oleje.Vyčistěte oblast kolem tlumiče výfuku a ovládacích prvků.Vyčistěte mřížku přívodu vzduchu.
Po 25 hodinách nebo jednou za rok
<ul style="list-style-type: none">Vyčistěte vzduchový filtr².Vyčistěte předfiltr².
Po 50 hodinách nebo jednou za rok
<ul style="list-style-type: none">Vyměňte motorový olej³.Vyměňte olejový filtr (je-li nainstalován)³.Proveďte servis výfukové soustavy.
V intervalech 100 hodin nebo jednou za rok
<ul style="list-style-type: none">Vyměňte motorový olej⁴.Vyměňte olejový filtr (je-li nainstalován)⁴.
Jednou ročně

- Vyměňte zapalovací svíčku.
- Vyměňte vzduchový filtr.
- Vyměňte předstupný čistič.
- Vyměňte palivový filtr.
- Proveďte servis chladicí soustavy¹.
- Zkontrolujte vůli ventilů⁵.

¹ Pouze motory bez olejového filtru.

² Čistěte častěji v prašném prostředí nebo při velké koncentraci částic ve vzduchu.

³ Motory bez olejového filtru nebo se standardním černým olejovým filtrem. Číslo dílu naleznete v části *Technické údaje*.

⁴ Motory se žlutým nebo oranžovým vysoce účinným olejovým filtrem. Číslo dílu naleznete v části *Technické údaje*.

⁵ Není nutné, pokud nedojde k problémům s výkonem motoru.

Elektronicky řízený palivový systém

Elektronicky řízený palivový systém sleduje teplotu motoru, otáčky motoru a napětí akumulátoru a upravuje sytič během startování a zahřívání motoru. Tento systém není třeba seřizovat. Pokud se objeví problémy se startováním nebo chodem motoru, obraťte se na autorizovaný servis společnosti Briggs & Stratton.

UPOZORNĚNÍ Vždy dodržujte tato pravidla. V opačném případě by mohlo dojít k poškození elektronicky řízeného palivového systému.

- NESTARTUJTE motor, pokud jsou kabely akumulátoru uvolněné.
- Před připojením startovacích kabelů nebo před odpojením nebo opakovaným připojením kabelů baterie přepněte spínač zapalování do polohy VYPNUTO. Při nabíjení musí být spínač zapalování v poloze VYPNUTÝ.
- Když odpojíte kabely od baterie, nejprve odpojte kabel od záporného (+) pólu a potom odpojte kabel od kladného (-) pólu baterie. Když připojíte kabely k baterii, nejprve připojte kabel ke kladnému (+) pólu a pak připojte kabel k zápornému (-) pólu baterie.
- NESTARTUJTE motor pomocí nabíječky akumulátoru.
- NEODPOJUJTE kabel akumulátoru za běhu motoru.
- NESTŘÍKEJTE vodu přímo na elektronickou řídicí jednotku.

Karburátor a otáčky motoru

Neupravujte otáčky motoru úpravami karburátoru, pružiny regulátoru, táhel nebo jiných součástí. Pokud je nutné provést seřízení, požádejte o servis autorizované servisní středisko Briggs & Stratton.

UPOZORNĚNÍ

Výrobce zařízení, do kterého je motor osazen, uvádí maximální rychlost motoru vhodnou pro provoz daného zařízení. Nepřekračujte tuto rychlost. Pokud si nejste jisti, jaká je maximální rychlost zařízení nebo jaká rychlost motoru byla nastavena z výroby, požádejte o pomoc autorizované servisní středisko Briggs & Stratton. Aby zařízení bezpečně a správně fungovalo, měl by rychlost motoru vždy seřizovat pouze kvalifikovaný servisní technik.

Servis výfukového a chladicího systému



VAROVÁNÍ Během provozu se motor a výfuk zahřívají. V případě kontaktu s horkým motorem může dojít k popálení.

Hořlavý odpad, jako například listí, tráva a větve mohou chytit.

- Než se dotknete motoru nebo výfuku, vypněte motor a počkejte dvě (2) minuty. Zkontrolujte, zda se lze bezpečně dotknout motoru a výfuku.
- Odstraňte nečistoty z tlumiče a motoru.

Použití nebo provozování zařízení na jakékoli zalesněné či zatravněné ploše bez výfukového systému vybaveného účinným lapačem jisker v souladu s definicí v části 4442 je porušením předpisů Veřejných pravidel pro Kalifornii, část 4442. Jiné státy nebo federální jurisdikce mohou mít podobné zákony; viz též Federální předpis 36 CFR část 261.52. Chcete-li zakoupit lapač jisker vhodný pro výfukový systém nainstalovaný na tomto motoru, kontaktujte výrobce původního zařízení, prodejce nebo dodavatele.

Tento motor je chlazený vzduchem. Špína nebo nežádoucí materiál mohou omezovat proudění vzduchu a způsobit přehřátí motoru. To vede ke špatnému výkonu a snížení životnosti motoru. Nežádoucí materiál se může nahromadit v chladicích žebrech válce a nedají se odstranit bez částečného rozmontování motoru. Nechte systém chlazený vzduchem zkontrolovat a vyčistit autorizovaným servisním střediskem společnosti Briggs & Stratton. Viz část *Plán údržby*.

1. Ujistěte se, že okolo a za tlumičem výfuku nejsou žádné hořlavé materiály.

2. Pomocí kartáče nebo suchého hadříku odstraňte veškerý nežádoucí materiál z krytu skříně ventilátoru, tlumiče výfuku a válce. K čištění motoru **NEPOUŽÍVEJTE** vodu.
3. Zkontrolujte, zda jsou lanka, pružiny a ovládací prvky čisté.
4. Zkontrolujte, zda tlumič výfuku nevykazuje praskliny, korozi nebo jiné opotřebení.
5. Sejměte deflektor nebo lapač jisker, je-li nainstalován, a zkontrolujte, zda není poškozen nebo zanesen uhlíkovými usazeninami. Před dalším spuštěním stroje nezapomeňte vyčistit nebo nainstalovat náhradní díly.
6. V případě instalace udržujte žebra chladiče oleje v čistotě.

Servis zapalovací svíčky

Zkontrolujte odtrh (A, obrázek 7) pomocí drátové měrky (B). Je-li to nutné, odtrh znovu nastavte. Nainstalujte zapalovací svíčku a dotáhněte ji správným momentem. Informace o odtrhu a utahovacím momentu najdete v části *Technické údaje*.

Vyměňte motorový olej



VAROVÁNÍ Palivo a jeho výpary jsou vysoce hořlavé a výbušné. Oheň či exploze mohou způsobit vážné popáleniny nebo smrt.

Během provozu se motor a výfuk zahřívají. V případě kontaktu s horkým motorem může dojít k popálení.

- Jestliže vypouštíte olej z horní plnicí trubice, nádrž musí být prázdná. V opačném případě může dojít k úniku paliva, což může vést k požáru nebo výbuchu.
- Než se dotknete motoru nebo výfuku, vypněte motor a počkejte dvě (2) minuty. Zkontrolujte, zda se lze bezpečně dotknout motoru a výfuku.

Použitý olej je nebezpečný odpad a musí být správně zlikvidován. Použitý olej nepatří do domovního odpadu. Informace o zařízeních pro bezpečnou likvidaci nebo recyklaci vám poskytnou místní úřady, servisní středisko nebo prodejce.

Vypouštění oleje

1. Dokud je motor po VYPNUTÍ ještě teplý, odpojte kabel od zapalovací svíčky (D, obrázek 8) a uložte jej dále od zapalovacích svíček (E).
2. Vyměňte měrku (A, obrázek 9).

Vypouštění zátka oleje, je-li jí motor vybaven

1. Odstraňte zátka pro vypouštění oleje (F, obrázek 10). Olej vyprázdněte do schválené nádoby.

POZNÁMKA: Na motoru mohou být nainstalovány vypouštěcí zátka oleje (G, obrázek 10).

2. Po vypouštění oleje nasaďte a utáhněte vypouštěcí zátka (F, obrázek 10).

Rychlé vypouštění oleje, je-li jím motor vybaven

1. Odpojte hadici pro rychlé vypouštění oleje (H, obrázek 11) ze strany motoru.
2. Otočte a sejměte vypouštěcí zátka oleje (I, obrázek 11). Opatrně spusťte hadici rychlého vypouštění oleje (H) do schválené nádoby (J).
3. Po vypouštění oleje nasaďte zátka rychlého vypouštění oleje (I, obrázek 11). Připevňte hadici pro rychlé vypouštění oleje (H) ze strany motoru.

Doplnění oleje

- Zkontrolujte, zda je motor vyvážen a zda stojí rovně.
- Očistěte okolí otvoru pro plnění oleje.
- Množství oleje viz část *Technické údaje*.

1. Vyměňte měrku (A, obrázek 3). Otřete olej z měrky čistým hadříkem.
2. Pomalu nalévejte olej do plnicího otvoru (C, obrázek 3). **Nevlévejte příliš mnoho oleje do otvoru pro plnění.** Počkejte jednu minutu a poté překontrolujte hladinu.

POZNÁMKA: Nedoplňujte olej hadicí pro rychlé vypouštění oleje, je-li jí motor vybaven.

3. Vraťte zpět měrku a dotáhněte ji (A, obrázek 3).
4. Měrku vyndejte a překontrolujte množství oleje. Správná hladina oleje má dosahovat k horní rýsce hladiny (B, obrázek 3) na měrce.
5. Vraťte zpět měrku a dotáhněte ji (A, obrázek 3).
6. Připojte kabel(y) zapalovací svíčky k zapalovací svíčke (svíčkám). Viz část *Vypouštění oleje*.

Výměna olejového filtru

1. Z motoru vypusťte olej. Viz část *Vypouštění oleje*.

- Vyjměte olejový filtr (H, obrázek 12) a řádně jej zlikvidujte.
- Před vložením nového olejového filtru lehce namažte těsnění olejového filtru čistým olejem.
- Ručně namontujte olejový filtr tak, až se bude dotýkat adaptéru olejového filtru, pak ho utáhněte o 1/2 až 3/4 otáčky.
- Doplňte olej. Viz část **Doplnění oleje**.
- Nastartujte a provozujte motor. Po zahřátí motoru hledejte stopy úniku oleje.
- Vypněte motor. Zkontrolujte, zda hladina oleje dosahuje k horní rýse ukazatele naplnění na zásuvné měrce. Viz část **Doplnění oleje**.

Servis vzduchového filtru

VAROVÁNÍ

Paliva jsou hořlavá a páry jsou výbušné. Oheň či exploze mohou způsobit vážné popáleniny nebo smrt.

- Motor nikdy nespustíte ani nenecháte běžet s vyjmutou sestavou čističe vzduchu nebo s vyaným vzduchovým filtrem (pokud je jimi motor vybaven).

UPOZORNĚNÍ

K čištění filtru nepoužívejte stlačený vzduch či ředidla. Stlačený vzduch může poškodit filtr a ředidla ho mohou rozpustit.

Informace o servisních požadavcích najdete v **Plánu údržby**.

Různé modely jsou vybaveny pěnovým nebo papírovým filtrem oleje. Některé modely jsou také vybaveny předfiltrem, který je možné vyčistit a opětovně použít. Porovnejte ilustrace v této příručce s typem filtru, který je nainstalován ve vašem motoru a proveďte servis dle následujících informací.

Papírový vzduchový filtr (s předfiltrem)

- Uvolněte upevnění (A, obrázek 13).
- Sejměte kryt vzduchového filtru (B, obrázek 13).
- Vyjměte filtr (C, obrázek 13) a předfiltr (D), pokud je jím motor vybaven.
- K uvolnění nečistot opatrně poklepejte filtrem na tvrdém povrchu. Jestliže je vzduchový filtr nadměrně špinavý, vyměňte ho za nový.
- Vyperte předfiltr (D, obrázek 13), je-li jím motor vybaven, v tekutém čisticím prostředku a vodě. Nechte předfiltr zcela uschnout na vzduchu. Předfiltr **NEPROMAZÁVEJTE**.
- Sestavte suchý předfiltr (D, obrázek 13), je-li jím motor vybaven, a filtr (C) do základny vzduchového filtru (E).
- Nainstalujte kryt vzduchového filtru (B, obrázek 13) a upevněte (A). Ujistěte se, že je upevnění dobře zavřeno.

Sestavení vzduchového filtru (náplň s předčištění)

- Uvolněte upevnění (A, obrázky 14, 15).
- Sejměte kryt vzduchového filtru (B, obrázky 14, 15).
- Zdvihněte konec filtru a vyjměte filtr (C, obrázky 14, 15).
- K uvolnění nečistot opatrně poklepejte filtrem na tvrdém povrchu. Jestliže je vzduchový filtr nadměrně špinavý, vyměňte ho za nový.
- Vyjměte předfiltr (D, obrázky 14, 15) z filtru (C).
- Vyperte předfiltr (D, obrázky 14, 15) v tekutém čisticím prostředku a vodě. Nechte předfiltr zcela uschnout na vzduchu. Předfiltr **NEPROMAZÁVEJTE**.
- Sestavte suchý předfiltr (D, obrázky 14, 15) (je-li jím motor vybaven) a vložte jej do filtru.
- Nainstalujte filtr (C, obrázky 14, 15) a předfiltr (D) (je-li jím motor vybaven), do základny vzduchového filtru (E) a zatlačte na něj, dokud neuslyšíte cvaknutí.
- Nainstalujte kryt vzduchového filtru (B, obrázky 14, 15) a upevněte (A). Ujistěte se, že je upevnění dobře zavřeno.

Servis palivové soustavy

VAROVÁNÍ

Palivo a jeho výpary jsou vysoce hořlavé a výbušné. Oheň či exploze mohou způsobit vážné popáleniny nebo smrt.

- Palivo udržujte mimo jiskry, otevřený oheň, pilotní světla, teplo nebo jiné zdroje vzplanutí.
- Pravidelně kontrolujte, zda palivové potrubí, palivová nádrž, uzávěr palivové nádrže a spoje nejsou popraskané nebo zda nedochází k úniku. Poškozené díly vyměňte.
- Jestliže dojde k rozlití paliva, před dalším nastartováním motoru vyčkejte, než se palivo odpaří.

Palivový filtr, je-li jím motor vybaven

- Před výměnou palivového filtru (A, obrázek 16) vypusťte palivovou nádrž nebo zavřete palivový kohout. Pokud palivová nádrž není vypuštěna, může palivo vytékat a způsobit požár nebo výbuch.
- Kleštěmi stiskněte příchytky (B, obrázek 16) na svorkách (C). Posuňte svorky směrem od palivového filtru (A).
- Odkruťte a vytáhněte palivové potrubí (D, obrázek 16) z palivového filtru.
- Zkontrolujte, zda palivové hadičky (D, obrázek 16) nejsou popraskané nebo netěsné. V případě nutnosti vyměňte palivové potrubí.
- Nahradte palivový filtr (A, obrázek 16).
- Upevněte palivové hadičky (D, obrázek 16) svorkami (C) podle obrázku.

Skladování

Palivový systém

Viz obrázek: 17.

VAROVÁNÍ

Palivo a jeho výpary jsou vysoce hořlavé a výbušné. Oheň či exploze mohou způsobit vážné popáleniny nebo smrt.

Skladování paliva

- Skladujte mimo dosah pecí, kamen, ohříváčů vody či jiných zařízení, která mají velký plamínek, a mimo dosah jiných zdrojů zapálení, neboť by mohlo dojít ke vznícení výparů paliva.

Motor uchovávejte rovně (normální provozní poloha). Naplňte palivovou nádrž (A, obrázek 17) palivem. Nádrž nepřepřilňujte nad hrdlo, aby se palivo mohlo rozpínat (B).

Když je palivo ponecháno ve skladovací nádobě déle než 30 dní, může začít stárnout. V nádobě pro uchovávání paliva doporučujeme používat stabilizátor paliva bez obsahu alkoholu a etanolový přípravek, které brání degradaci paliva a udržují jej v čerstvém stavu.

Když plníte nádobu palivem, přidejte stabilizátor paliva bez obsahu alkoholu, který je uveden v pokynech výrobce. Jestliže nebyl do paliva v motoru stabilizátor přidán, palivo je třeba vypustit do schválené nádoby. Nechte motor běžet, dokud nedojde palivo.

Motorový olej

Motorový olej vyměňte, zatímco je motor stále teplý. Viz část **Výměna motorového oleje**.

Řešení problémů

Pomoc

Pokud potřebujete pomoc, kontaktujte svého místního prodejce, navštivte stránku **BRIGGSandSTRATTON.COM** nebo zavolejte na **1-800-444-7774** (v USA).

Specifikace a servisní díly

Technické údaje	Model: 400000	Model: 440000
Zdvihový objem	40.03 ci (656 cc)	44.18 ci (724 cc)
Vrtání	2.970 palce (75,43 mm)	3.120 palce (79,24 mm)
Zdvih	2.890 palce (73,41 mm)	2.890 palce (73,41 mm)
Objem oleje	62 - 64 oz (1,8 - 1,9 l)	62 - 64 oz (1,8 - 1,9 l)
Vzduchová mezera zapalovací svíčky	.030 palce (.76 mm)	.030 palce (.76 mm)
Dotahovací moment zapalovací svíčky	180 lb-palců (180 Nm)	180 lb-palců (20 Nm)
Vzduchová mezera zapalovací cívky	.008 - .012 palce (.20 - .30 mm)	.008 - .012 palce (.20 - .30 mm)
Vůle sacího ventilu	.004 - .006 palce (.10 - .15 mm)	.004 - .006 palce (.10 - .15 mm)
Vůle výfukového ventilu	.004 - .006 palce (.10 - .15 mm)	.004 - .006 in (.10 - .15 mm)

Technické údaje	Model: 490000
Zdvihový objem	49.42 ci (810 cc)
Vrtání	3.300 palce (83,81 mm)
Zdvih	2.890 palce (73,41 mm)
Objem oleje	66 - 68 oz (1,9 - 2,0 l)
Vzduchová mezera zapalovací svíčky	.030 palce (.76 mm)

Technické údaje	Model: 490000
Dotahovací moment zapalovací svíčky	180 lb-palců (180 Nm)
Vzduchová mezera zapalovací cívky	.008 - .012 palce (.20 - .30 mm)
Vůle sacího ventilu	.004 - .006 palce (.10 - .15 mm)
Vůle výfukového ventilu	.004 - .006 palce (.10 - .15 mm)

Náhradní součásti

Chcete-li zakoupit servisní díly Briggs & Stratton, vyhledejte autorizované servisní středisko na BRIGGSandSTRATTON.COM. Je zapotřebí vaše identifikační číslo (model – typ – označení). Pokyny pro zjištění identifikačního čísla vašeho motoru najdete v části **Funkce a ovládací prvky**.

Jmenovitý výkon

Celkový jmenovitý výkon jednotlivých modelů s benzínovými motory je označen v souladu s kódem J1940 SAE (Society of Automotive Engineers) pro hodnocení výkonu a točivého momentu malých motorů a hodnocení je v souladu s normou SAE J1995. Hodnoty točivého momentu jsou získány z hodnot při 2 600 otáčkách motoru za minutu pro otáčky uvedené na štítku a 3 060 za minutu pro všechny ostatní, hodnoty výkonu jsou získány při 3 600 otáčkách za minutu. Hrubé výkonové křivky naleznete na stránce www.BRIGGSandSTRATTON.COM. Hodnoty čistého výkonu jsou získány s namontovaným výfukem a čistícím vzduchu, zatímco hrubé hodnoty jsou bez těchto přídavných zařízení. Skutečný hrubý výkon motoru bude vyšší než čistý výkon motoru, mimo jiné na něj budou mít vliv okolní provozní podmínky a drobné rozdíly mezi jednotlivými motory. S ohledem na širokou řadu produktů, ve kterých jsou motory používány, nemusí benzínové motory dosáhnout stanovený hrubý výkon, když jsou používány jako součást zařízení. Tento rozdíl je výsledkem celé řady faktorů, mimo jiné včetně dalších komponent motoru (čistič vzduchu, výfuk, nabíjení, chlazení, karburátor, palivové čerpadlo atd.), omezení použití, okolních provozních podmínek (teplota, vlhkost, nadmožská výška) a rozdílů mezi jednotlivými motory. Vzhledem k omezením výroby a kapacity může společnost Briggs & Stratton motor nahradit silnějším motorem stejné série.

Záruka

Záruka na motor Briggs & Stratton®

Platné od srpna 2022

Omezená záruka

Společnost Briggs & Stratton zaručuje, že během níže uvedené záruční doby bezplatně opraví nebo vymění nový, repasovaný nebo znovu vyrobený díl, a to na základě výhradního uvážení společnosti Briggs & Stratton jakoukoli vadnou součást se závadou na materiálu nebo zpracování nebo oboje. Za přepravní náklady spojené s přepravou výrobku k opravě či náhradě při uplatnění záruky je odpovědný zákazník. Tato záruka je platná pro stanovená časová období a podléhá níže uvedeným podmínkám. Pro záruční servis se obračejte na nejbližší autorizované servisní středisko, které je uvedeno na mapě prodejců na adrese BRIGGSandSTRATTON.COM. Zákazník musí kontaktovat autorizovaného servisního dealera a pak mu produkt zpřístupnit pro inspekci a testy.

Neexistují jiné výslovné záruky. Implikované záruky, včetně těch týkajících se prodejnosti a vhodnosti pro určitý účel, jsou omezeny na jeden rok od zakoupení či v rozsahu povoleném zákonem. Všechny ostatní implikované záruky jsou vyloučeny. Zodpovědnost za vedlejší či následné škody je vyloučena v rozsahu povoleném zákony. Některé státy nepovolují omezení na délce trvání implikovaných záruk a některé státy nepovolují výjimky či omezení náhodných škod, takže výše uvedená výjimka a omezení se na vás nemusí vztahovat. Tato záruka vám poskytuje specifická práva, nicméně můžete mít i jiná práva, která se mohou v jednotlivých státech a zemích lišit.

Standardní záruční podmínky ^{1, 2}
Vanguard®; Řada pro komerční účely
Spotřebitelské používání – 36 měsíců
Komerční používání – 36 měsíců
Řada XR
Spotřebitelské používání – 24 měsíců
Komerční používání – 24 měsíců
Všechny ostatní motory vybavené litinovou vložkou válce Dura-Bore™
Spotřebitelské používání – 24 měsíců
Komerční používání – 12 měsíců
Všechny ostatní motory
Spotřebitelské používání – 24 měsíců
Komerční používání – 3 měsíce

¹ Toto jsou naše standardní záruční podmínky, ale v některých případech může existovat další záruční krytí, které nebylo v době vydání tohoto dokumentu stanoveno. Informace o aktuálních záručních podmínkách pro váš motor získáte na webu BRIGGSandSTRATTON.com nebo kontaktováním autorizovaného servisního střediska Briggs & Stratton.

² Není poskytována žádná záruka na motory zařízení používaných jako primární pohon místo užitkového zařízení, v záložních generátorech používaných ke komerčním účelům, v užitkových vozidlech přesahujících 25 mil/hod. ani na motory používané pro závodění nebo na komerčních či pronajímáných tratičích.

^{*} V Austrálii – Naše zboží je dodáváno se zárukami, které nelze vyloučit podle australských zákonů pro styk se zákazníky. Máte nárok na výměnu či vrácení peněz za větší selhání a kompenzaci za jakékoli jiné přiměřené předvídatelné ztráty či škody. Máte také nárok na opravy či výměnu zboží, jestliže nedosahuje přijatelné kvality a selhání nepředstavuje rozhodující selhání. Potřebujete-li záruční servis, vyhledejte naše nejbližší autorizované servisní středisko, které zjistíte na mapě na webové stránce BRIGGSandSTRATTON.COM nebo telefonicky na čísle 1300 274 447, případně zasláním e-mailu na adresu salesenquiries@briggsandstratton.com.au, Briggs & Stratton Australia Pty Ltd, 1 Moorebank Avenue, Moorebank, NSW, Austrálie, 2170.

Záruční lhůta začíná v den zakoupení prvním soukromým nebo komerčním konečným uživatelem a pokračuje po dobu uvedenou výše v tabulce. „Spotřebitelským používáním“ se rozumí osobní používání maloobchodním spotřebitelem v domácnosti. „Komerčním použitím“ se rozumí všechny ostatní druhy použití, a to včetně použití komerčního, výdělečného a v půjčovnách. Jakmile byl jednou motor použit pro komerční účely, musí být pro účely této záruky nadále považován za motor pro komerční použití.

Pro obdržení záruky na výrobky Briggs & Stratton není nutná registrace záruky. Uchovávejte si váš pokladní doklad. Jestliže při vyžádání záruky neposkytnete doklad s datem zakoupení, bude pro určení záruční lhůty produktu použito datum výroby.

O vaší záruce

Tato omezená záruka se vztahuje pouze na materiál a/nebo zpracování související s motorem, a nikoliv na výměnu nebo proplacení zařízení, na kterém může být motor namontován. Na běžnou údržbu, tuning, seřizování nebo normální opotřebení se tato záruka nevztahuje. Stejně tak se záruka nevztahuje na motor, který byl pozmeněn nebo upraven ani na motor, jehož sériové číslo bylo znečitelněno nebo odstraněno. Tato záruka se nevztahuje na poškození motoru ani na problémy s výkonem způsobené:

- Použitím jiných než Briggs & Stratton
- Provozováním motoru s kontaminovaným mazacím olejem, s nesprávným typem oleje nebo s jeho nedostatečnou hladinou;
- Použitím znečištěného nebo starého paliva, benzínu smíchaného s více než 10 % etanolu nebo použitím alternativních paliv, jako je zkopalněný nebo zemní plyn u motorů, které nebyly společností Briggs & Stratton zkonstruovány/vyrobeny pro použití těchto paliv;
- Nečistotou, která se dostala do motoru v důsledku nesprávné údržby nebo zpětné montáže vzduchového filtru;
- Úderem nože rotační sekačky na trávu do nějakého předmětu, uvolněními nebo nesprávně namontovanými nožovými adaptéry, oběžnými koly nebo jinými prvky spojenými s klikovým hřídelem nebo nadměrným napnutím klínového řemene;
- Souvisejícími součástmi nebo sestavami, například spojkami, převody, ovládacími zařízeními apod., které nebyly dodány společností Briggs & Stratton;
- Přehřátím vyvolaným kusy trávy, nečistotami, úlomky nebo hnízdy hlodavců ucpávajícími chladicí žebra nebo prostor setrvačnicku nebo provozováním motoru bez dostatečné ventilace;
- Nadměrnými vibracemi vyvolanými přílišnými otáčkami, uvolněným závěsem motoru, uvolněnými nebo nevyváženými noži či oběžnými koly nebo nesprávnou montáží součástí zařízení na klikový hřídel;
- Nesprávným používáním, nedostatečnou běžnou údržbou, přepravou, manipulací nebo skladováním zařízení nebo nesprávnou montáží motoru.

Záruční služby zajišťují pouze autorizovaní zástupci společnosti Briggs & Stratton. Nejbližší autorizované servisní středisko najdete na naší mapě na webové stránce BRIGGSandSTRATTON.COM nebo telefonicky na čísle 1-800-444-7774 (v USA).

80114782 (revize A)

Üldteave



See juhend sisaldab ohutusteavet mootoriga seotud ohtude ja riskide ning nende vältimise kohta. Lisaks sisaldab see juhiseid mootori õige kasutuse ja hoolduse kohta. On äärmiselt oluline need juhised läbi lugeda, endale selgeks teha ja neid järgida. **Hoidke käesolev juhend edaspidiseks kasutamiseks alles.**

MÄRKUS. Käesolevas juhendis olevad joonised ja illustratsioonid on üksnes illustratiivsed ja võivad teie konkreetsest mudelist erineda. Kasutage jooniseid, mis vastavad teie mootori konfiguratsioonile. Vajadusel pidage nõu volitatud hoolduskeskusega.

Kirjutage üles ostukuupäev, mootori mudel, tüüp, versioon ja seerianumber, sest neid läheb tarvis varuosade tellimisel. Need numbrid asuvad mootoril. Vt jaotist **Funktsioonid ja juhtseadised.**

Ostukuupäev	
Mootori mudel - tüüp - varustusklass	
Mootori seerianumber	

Euroopa kontori kontaktteave

Kui teil on küsimusi Euroopa heitkoguste kohta, võtke ühendust meie Euroopa bürooga aadressil:

Max-Born-Straße 2, 68519 Viernheim, Saksamaa.

Euroopa Liidu (EL) V (5.) etapp: Süsinikdioksiidi (CO₂) väärtused

Sisestage saidil BriggsandStratton.com otsinguväljale „CO₂“, et leida Briggs & Strattoni ELi tüübikinnitustunnistusega mootorite süsinikdioksiidi heite väärtused.

Operaatori ohutus

Hoiatusmärk ja märgusõnad



Hoiatussümbol tähistab ohutusteavet nende ohtude kohta, mis võivad põhjustada kehavigastusi. Märgusõna (OHT, HOIATUS või ETTEVAATUST) kasutatakse selleks, et viidata tervisekahjustuse tõenäosusele ning potentsiaalsele raskusele. Lisaks võib ohu tüübi tähistamiseks kasutada ka ohusümbolit.

OHTLIK viitab olukorrale, mis juhul, kui seda ei väldita, võib põhjustada raske vigastuse või surma.

HOIATUS viitab olukorrale, mis juhul, kui seda ei väldita, võib põhjustada raske vigastuse või surma.

ETTEVAATUST tähistab ohtu, mis juhul, kui seda ei väldita, võib kaasa tuua kerge või keskmise kehavigastuse.

MÄRKUS tähistab teavet, mis on oluline, kuid pole seotud ohuga.

Ohu sümbolid ja tähendused

	Ohutusteave olukordade kohta, mis võivad tekitada kehavigastusi.		Lugege kasutusjuhend enne masina käsitsemist või hooldamist tähelepanelikult läbi ja tehke see endale selgeks.
	Tuleoht		Plahvatusoht
	Elektrilöögi oht		Mürgise suitsu oht
	Kuuma pinna oht		Tagasilöögi oht

	Jäsemekaotuse oht – liikuvad osad		Kütusetase – maksimaalne Vältige ületäitmist
--	-----------------------------------	--	--

Ohutusteated



HOIATUS

Briggs & Stratton®-i mootorid ei ole mõeldud kasutamiseks järgmistel kasutusvaldkondadel: kardid; lastekardid; lastesõidukid, vaba aja või sportliikud maastikusõidukid (ATV-d); mootorrattad; hõljukid; õhusõidukid; või sõidukid, mida kasutatakse võistlustel, milleks Briggs & Stratton ei ole luba andnud. Võidusõidutoodete kohta leiate teavet aadressilt www.briggsracing.com. Tarbesõidukitel ja mitmekohalistel ATV-del kasutamiseks pidage nõu Briggs & Strattoni võimsuslahenduste keskusega, tel 1 866 927 3349. Mootori väärkasutus võib põhjustada rasket tervisekahjustust või surma.

Ringlussevõtmise teave



Viige kõik kastid, karbid, vana õli ja akud kooskõlas kohalike õigusaktidega ringlussevõtupunkti.

Funktsioonid ja juhtseadised

Mootori juhtimisseadmed

Võrrele joonistel 1 ja 2 tähtedega märgitud osi järgmises nimekirjas toodud mootori juhtseadistega.

- Mootori identifitseerimisnumbrid **Mudel - tüüp - kood**
- Süüteküünl
- Õhufilter
- Möötevarras
- Õli väljalaskeava kork
- Puhuri korpuse kate
- Õlifilter
- Elektristarter
- Karburaator
- Kütusefilter (kui see on olemas)
- Kütusepump (kui see on masina varustuses)
- Õli kiirväljalaskeava (kui see on olemas)
- Õlijahuti (kui see on olemas)
- Elektrooniline juhtplokk (kui see on olemas)

Mootori juhtseadiste sümbolid ja nende tähendused

	Mootori kiirus – KIIRE		Mootori kiirus – AEGLANE
	Mootori kiirus – SEISKAMINE		SEES – VÄLJAS
	Mootori käivitamine Õhuklapp SULETUD		Mootori käivitamine Õhuklapp AVATUD
	Kütusepaagi kork Kütusekraan AVATUD		Kütusekraan SULETUD

Kasutamine



HOIATUS

Kütuseaurud on tule- ja plahvatusohtlikud. Põleng või plahvatus võib tekitada põletushaavu või surma.

Kui tunnete gaasilõhna

- Ärge mootorit käivitage.
- Ärge elektrilüliteid lülitage.
- Ärge kasutage läheduses telefoni.
- Evakueerige piirkond.
- Võtke ühendust päästeteenistusega.

Masina kasutamisel

- Ärge kallutage mootorit ega masinat asendisse, milles kütus võib välja voolata.

Seadme asukoha muutmisel

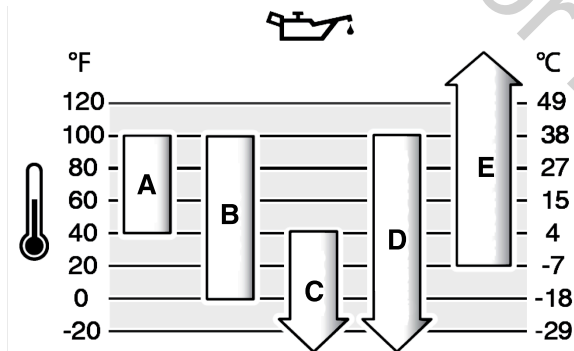
- Veenduge, et kütusepaak on TŪHI või kütusekraan, kui see on olemas, on asendis SULETUD.

Õlisoovitused

Õlimaht: Vt jaotist *Tehnilised andmed*.

Parima jõudluse tagamiseks on soovitatav kasutada Briggs & Stratton® garantiinõuetele vastavat sertifitseeritud õli. Muude kvaliteetsete detergentõlide kasutamine on lubatud, kui need vastavad klassi SF, SG, SH, SJ nõuetele või ületavad neid. Ärge kasutage lisandeid.

Kasutage tabelit, et valida oodatava välistemperatuuri vahemiku jaoks kõige sobivama viskoossusega õli. Enamik õues kasutatavatest masinastest töötab hästi 5W-30 sünteetilise õliga. Kui masinat kasutatakse kõrge temperatuuriga piirkonnas, tagab parima kaitse sünteetiline õli Vanguard® 15W-50.



A	SAE 30 – madalamal temperatuuril kui 40 °F (4 °C) on SAE 30 õli kasutamisel mootori käivitamine raskendatud.
B	10W-30 – kõrgemal temperatuuril kui 80 °F (27 °C) võib 10W-30 õli kasutamine õlitartvet suurendada. Kontrollige sageli õlitaset.
C	5W-30
D	Sünteetiline 5W-30
E	Vanguard® sünteetiline 15W-50

Õlitase kontrollimine

Enne õli kontrollimist või lisamist

- Veenduge, et mootor on rõhtasendis.
- Puhastage õlitäiteava ümbrus prahist.
- Õlimahtu vt jaotisest *Tehnilised andmed*.

MÄRKUS

Mootor tarnitakse Briggs & Strattoni tehases ilma õlita. Seadme tootjad või edasimüüjad võivad olla mootori õliga täitnud. Kontrollige enne mootori esmakordset käivitamist, et õlitase on sobiv. Lisage õli, nagu on kirjas käesolevas juhendis toodud juhistes. Kui käivitate mootori ilma õlita, saab see parandamatult kahjustada ning vajalikud remonditööd ei kuulu garantii alla.

1. Eemaldage õlivarras (A, joonis 3) ja pühkige see lapiga puhtaks.
2. Paigaldage õlivarras ja keerake kinni (A, joonis 3).
3. Eemaldage õlivarras ja kontrollige õlitaset. Veenduge, et õlitase ulatub õlivardal täistase tähistele ülaosas (B, joonis 3).
4. Kui õlitase on madal, lisage õli mootori õlitäiteavasse (C, joonis 3). Ärge lisage liiga palju õli.
5. Oodake üks minut ja kontrollige siis õlitaset uuesti. Veenduge, et õlitase on sobiv.

6. Paigaldage õlivarras ja keerake kinni (A, joonis 3).

Madala õlitase kaitse süsteem (kui see on olemas)

Osadel mootoritel on madala õlitase andur. Kui õlitase on madal, aktiveerib andur hoiatustule või seiskab mootori. Seisake mootor ja tehke enne mootori taaskäivitamist järgmised toimingud.

- Veenduge, et mootor on rõhtasendis.
- Kontrollige õlitaset. Vt jaotist *Õlitase kontrollimine*.
- Kui õlitase on madal, lisage piisavas koguses õli. Käivitage mootor ja veenduge, et hoiatustuli (kui see on olemas) ei sütti.
- Kui õlitase on madal, ärge mootorit käivitage. Pöörduge Briggs & Strattoni volitatud hoolduskeskuse, et õliga seotud probleem lahendada.

Kütuse soovitus

Kütus peab vastama järgmistele nõuetele.

- Puhas, värske pliivaba bensiin.
- Minimaalne oktaanarv 87 / 87 AKI (91 RON). Suurtel kõrgustel kasutatav, vt allpool.
- Lubatud on bensiin, mis sisaldab kuni 10% etanooli (gasohol).

MÄRKUS

Ärge kasutage ebasobivat bensiini, näiteks E15 või E85. Ärge lisage bensiinile õli ega kohandage mootorit kasutamiseks muude kütustega. Ebasobiva kütuse kasutamine tekitab mootoriosadel kahjustusi, millele garantii ei laiene.

Lisage kütusele alkoholivaba kütusestabilisaatorit ja etanoolisisaldusega kütusele mõeldud kütuselisandit, et kaitsta kütusesüsteemi vaigujääkide ladestumise ja korrosiooni eest. Vt jaotist *Ladustamine*. Kõik kütused ei ole ühesugused. Kui tekivad mootori käivitumise või jõudlusega seotud probleemid, vahetage kütuse tarnijat või kütuse marki. Mootor on sertifitseeritud töötama bensiiniga. Karburaatoriga mootoritel kasutatakse heitmete vähendamise süsteemi EM (mootori muudatused). Kütuse elektroonilise sissepritsega mootoritel kasutatakse heitkoguste vähendamise süsteemi ECM (mootori juhtmoodul), MFI (mitme pordiga sissepritse), TBI (monopritse) ning O2S (hapnikuandur).

Suured kõrgused

Kasutamisel kõrgemal kui 1524 m (5000 jalga) on lubatud bensiin, mille oktaanarv on vähemalt 85 / 85 AKI (89 RON).

Karburaatormootoreid tuleb jõudluse säilitamiseks suurtel kõrgustel töötamiseks sobivaks reguleerida. Reguleerimata kasutus põhjustab madalamat jõudlust, suuremat kütusekulu ja lubatust rohkem heidet. Mootori seadistamiseks suurtel kõrgustel töötamiseks võtke ühendust Briggs & Strattoni volitatud töökojaga. Mootorit pole soovitatav kasutada kõrgustel alla 2500 jalga (762 m), kui see on reguleeritud töötamiseks suurtel kõrgustel.

Elektroonilise sissepritsega (EFI) mootoritel pole reguleerimine vajalik, et töötada suurtel kõrgustel.

Kütuse lisamine



HOIATUS

Kütus ja selle aurud on kergesti süttivad ja plahvatusohtlikud. Põleng või plahvatus võib tekitada põletushaavu või surma.

Kütuse tankimisel

- Seisake mootor. Oodake enne kütusepaagi korgi eemaldamist vähemalt kaks (2) minutit veendumaks, et mootor on jahtunud.
- Tankige kütust õues või piisava ventilatsiooniga kohas.
- Ärge lisage kütusepaaki liiga palju kütust. Kütuse paisumiseks ruumi jätmiseks ärge täitke paaki kütusepaagi kaela alumisest servast kõrgemale.
- Hoidke kütus eemal sädemetest, lahtisest leegist, pliitõelikest, kuumusest ja muudest süütaallikatest.
- Kontrollige regulaarselt kütusevoolikuid, kütusepaaki, kütusepaagi korki ning liitmikke pragude ja lekete suhtes. Vahetage kahjustatud osad.
- Kütuse mahaloksumisel oodake selle aurustumiseni, enne kui mootori käivitate.

1. Puhastage kütusekorgi ala mustusest ja prahist. Eemaldage kütusepaagi kork.
2. Täitke kütusepaak (A, joonis 4) kütusega. Kuna kütus paisub, ärge täitke paaki kütusepaagi kaela (B) alumisest servast kõrgemale.
3. Paigaldage kütusepaagi kork tagasi.

Mootori käivitamine



HOIATUS

MÜRGISE GAASI OHT. Mootori heitgaasid sisaldavad süsinikmonoksiidi e. vingugaasi, mis on mürgine ja võib tappa mõne minuti jooksul. Isegi kui te ei tunne heitgaaside lõhna, võite siiski kokku puutuda ohtliku vingugaasiga. Kui tunnete masina kasutamisel iiveldust, peapööritust või nõrkust, minge VIIVITAMATA värske õhu kätte. Pöörduge arsti poole. Võimalik, et teil on vingugaasi mürgitus.

- Vingugaas võib koguneda aladele, kus viibivad inimesed. Vingugaasiga seotud ohtude vähendamiseks kasutage seda masinat AINULT välitingimustes, akendest, udest ja ventilatsiooniavadest eemal.
- Paigaldage akutoitel töötavad vingugaasialarmid või vooluvõrgutoitega vingugaasialarmid koos varutoiteakuga tootja juhiste kohaselt. Suitsualarmid ei suuda vingugaasi tuvastada.
- ÄRGE käituge seda masinat majades, garaazides, keldrites, madalates käikudes, kuurides ega muudes osaliselt suletud ruumides isegi siis, kui kasutate ventilaatoreid või avate õhutamiseks ukseid ja aknad. Vingugaas võib masina kasutamisel kiiresti sellistesse kohtadesse koguneda ning jääda sinna tundideks.
- Paigutage see masin ALATI allatuult ja suunake mootori heitgaasid eemale aladelt, kus viibivad inimesed.



HOIATUS

Kütus ja selle aurud on kergesti süttivad ja plahvatusohtlikud. Põleng või plahvatus võib tekitada põletushaavu või surma.

Mootori käivitamisel

- Veenduge, et süüteküünal, summuti, kütusepaagi kork ja õhupuhas (kui on masina varustuses) on õigesti paigaldatud.
- Ärge käituge mootorit, kui süüteküünal on eemaldatud.
- Kui mootori karburaator on üle ujutatud, seadke seguklapp (kui on masina varustuses) AVATUD või KÄITUSE asendisse. Keerake õhuklapp (kui on masina varustuses) asendisse KIIRE ja käituge starterit, kuni mootor käivitub.
- Kui läheduses on maagaasi või vedela naftagaasi leke, ärge mootorit käivitage.
- Ärge kasutage survestatud käivitusvedelikke, sest nende aurud on tuleohtlikud.



HOIATUS

Käed, jalad, juuksed, rõivad või ehted võivad pöörlevate osade vahele kinni jääda ning tulemuseks võib olla traumaatiline jäsemekaotus või rebend.

- Kasutage masinat ainult koos õigesti paigaldatud kaitsekaitetega.
- Hoidke käed ja jalad pöörlevatest osadest eemal.
- Eemaldage ehted ja veenduge, et pikad juuksed on kõigist pöörlevatest osadest eemal.
- Ärge kandke avaraid rõivaid ega midagi, mis võiks takerduda.

- Kontrollige mootoriõli. Vt jaotist **Õlitase kontrollimine**.
- Veenduge, et masina juhthoovad, kui need on masina varustuses, on lahutatud.
- Keerake kütusekraan (A, joonis 5), kui see on masina varustuses, AVATUD asendisse
- Viige seguklapi hoob (B, joonis 5), kui see on masina varustuses, asendisse KIIRE.
- Õhuklapi juhtseadisega mudelitel** (C, jn 5) lükake õhuklapi juhtseadis asendisse SULETUD. **Õhu-/seguklapi kombinatsiooniga mudelitel** (G, jn 5) lükake juhtseadis asendisse ÕHUKLAPP. **ReadyStart**[®]-iga mudelitel jätkake järgmisest sammust.

MÄRKUS. Sooja mootori käivitamisel ei ole õhuklapi sulgemine tavaliselt vajalik.

- Mootori käivitamiseks keerake süütevõti (D, joonis 5), kui see on olemas, asendisse SEES/KÄIVITA või vajutage nuppu (E).
- Kui mootor on üles soojenenud, seadke õhuklapi hoob (C, joonis 5), kui see on masina varustuses, AVATUD asendisse.

Mootori seiskamine



HOIATUS

Kütus ja selle aurud on kergesti süttivad ja plahvatusohtlikud. Põleng või plahvatus võib tekitada põletushaavu või surma.

- Ärge seisake mootorit karburaatori õhuklapi (kui on masina varustuses) sulgemisega.

- Kui seguklapi hoob on asendis AEGLANE, keerake elektriline käivituslülit (D, jn 6) asendisse VÄLJAS.

- Eemaldage võti ja hoidke seda turvalises kohas.
- Kui mootor on seiskunud, keerake kütusekraan (A, joonis 6), kui see on olemas, SULETUD asendisse.

Hooldus

Hooldusalane teave



HOIATUS

Kütus ja selle aurud on kergesti süttivad ja plahvatusohtlikud. Põleng või plahvatus võib tekitada põletushaavu või surma.

Kui hoolduse ajal on tarvis masinat kallutada, veenduge, et kütusepaak (kui see on mootori külge monteeritud) on tühi ja süüteküünalaga ots jääb üles. Kui kütusepaak ei ole tühi, võib kütus lekkida ning põhjustada põlengu või plahvatuse. Kui mootorit kallutada teises suunas, ei pruugi see hõlpsalt käivituda, sest õhufilter või süüteküünal on õli või kütusega saastunud.



HOIATUS

Juhuslik mootori tekitatud säde võib põhjustada elektrilöögi, põlengu või plahvatuse ning tuua kaasa takerdumise, traumaatilise amputatsiooni või rebendeid.

Enne reguleerimise või remonditööde alustamist:

- Eemaldage kõik süüteküünla juhtmed ja hoidke neid süüteküünaldest eemal.
- Ühendage lahti aku miinusklapp (ainult elektristarteriga mootorid).
- Kasutage ainult sobivaid tööriistu.

Sädet kontrollides:

- Kasutage tunnustatud süüteküünlatestrit.
- Ärge kontrollige sädet, kui süüteküünal on eemaldatud.



HOIATUS

Varuosad peavad olema sama kujuga ja paigaldatud samas asendis kui originaaldetailid. Muud osad võivad põhjustada kahjustusi või vigastusi.

MÄRKUS

Kõik mootori ehitamisel kasutatud osad peavad nõuetekohase talitluse tagamiseks jääma oma kohale.

Mootori ja mootori osade hoolduseks pöörduge Briggs & Strattoni volitatud hoolduskeskuse poole.

Heitmekontrollisüsteemi hooldus

Heitmekontrolli seadmete ja süsteemide hooldamiseks, vahetamiseks või remontimiseks pöörduge mitteliikluskvahendite mootoreid parandava asutuse või kvalifitseeritud hooldustehniku poole. Kuid tasuta heitmekontrolli teeninduseks tuleb pöörduda volitatud edasimüüja poole. Vt heitmekontrolli avaldusi.

Hooldusgraafik

Pärast esimest 5 tundi
<ul style="list-style-type: none">Vahetage mootoriõli¹.
Iga 8 töötunni järel või kord päevas
<ul style="list-style-type: none">Kontrollige mootoriõli taset.Puhastage summuti ja juhtseadiste ümbrus.Puhastage õhuvõtuvõre.
Iga 25 töötunni järel või kord aastas
<ul style="list-style-type: none">Puhastage õhufiltrit².Puhastage eelpuhastit².
Iga 50 töötunni järel või kord aastas
<ul style="list-style-type: none">Vahetage mootoriõli³.Vahetage õlifilter (kui see on olemas)³.Hooldage heitgaasisüsteemi.
Iga 100 töötunni järel või kord aastas
<ul style="list-style-type: none">Vahetage mootoriõli⁴.Vahetage õlifilter (kui see on olemas)⁴.
Kord aastas

- Vahetage süüteküünal.
- Vahetage õhufilter.
- Vahetage eelpuhasti.
- Vahetage kütusefilter.
- Hooldage jahutussüsteemi¹.
- Kontrollige klapi vahet⁵.

¹ Ainult ilma õlifiltrita mootoritel.

² Puhastage sagedamini tolmustes kasutustingimustes või juhul, kui õhus on palju osakesi.

³ Õlifiltrita või musta standardõlifiltriga mootorid. Varuosa tootekoodi vt jaotisest *Tehnilised andmed*.

⁴ Suure tõhususega kollase või oranži õlifiltriga mootorid. Varuosa tootekoodi vt jaotisest *Tehnilised andmed*.

⁵ Ei ole nõutav, kui mootor töötab tõrgeteta.

Kütuse elektrooniline juhtsüsteem

Kütuse elektrooniline juhtsüsteem jälgib mootori temperatuuri, mootori pöörlemissagedust ja aku pinget ning reguleerib enne mootori käivitamist ja soojendamist vastavalt sellele õhuklapi asendit. Süsteemi ei saa reguleerida. Kui mootori käivitamisel või töötamisel esineb probleeme, pöörduge Briggs & Strattoni volitatud hoolduskeskuse poole.

MÄRKUS Järgige kindlasti neid reegleid, sest vastasel juhul riskite kütuse elektroonilise juhtsüsteemi kahjustamisega.

- ÄRGE mootorit käivitage, kui akukaablid on lahutatud.
- Enne käivituskaablite ühendamist või aku lahutamist või tagasiühendamist tuleb keerata süütelüliti asendisse VÄLJAS. Aku laadimise ajal peab süütelüliti olema asendis VÄLJAS.
- Akukaablite lahutamisel aku küljest tuleb esimesena lahutada miinuskaabel (-) ning alles seejärel plusskaabel (+). Akukaablite ühendamisel tuleb akuga esimesena ühendada plusskaabel (+) ning alles seejärel miinuskaabel (-).
- ÄRGE kasutage mootori käivitamiseks akulaadijat.
- ÄRGE lahutage akukaableid, kui mootor töötab.
- ÄRGE pihustage vett otse elektroonilisele juhtploki.

Karburaator ja mootori pöörlemissagedus

Ärge püüdke reguleerida mootori pööreid karburaatori, regulaatori vedru, liigendite või mõne muu detaili muutmiseks. Kui on vaja midagi reguleerida, siis laske seda teha Briggs & Strattoni volitatud hoolduskeskuses.

MÄRKUS

Seadme tootja on määranud seadmele paigaldatud mootori suurima lubatud pöörlemissageduse. Ärge seda pöörlemissagedust ületage. Kui te ei tea seadme suurimat lubatud pöörlemissagedust või millisele pöörlemissagedusele on mootor tehases reguleeritud, pöörduge abi saamiseks Briggs & Strattoni volitatud hoolduskeskusesse. Seadme ohutu ja nõuetekohase töö tagamiseks tohib mootori pöörlemissagedust reguleerida ainult vastava kvalifikatsiooniga hooldustehnik.

Väljalaske- ja jahutussüsteemide hooldus



HOIATUS Mootor ja summuti võivad kasutamise ajal kuumaks muutuda. Kui puudutate kuuma mootorit, võite saada põletushaavu.

Süttivad materjalid, nagu lehed, rohi ja võsa, võivad süttida.

- Seisake mootor ja oodake kaks (2) minutit enne mootori või summuti puudutamist. Veenduge, et mootorit ja summutit on ohutu puudutada.
- Eemaldage kogunenud praht summuti ja mootori piirkonnast.

California avalike ressursside seaduse (California Public Resource Code) paragrahvi 4442 järgi on motoriseeritud seadme kasutamine metsa-, põõsa- või murualadel ja nende lähedal keelatud, kui selle väljalaskestüsteem ei ole varustatud nimetatud paragrahvi 4442 nõuetele vastava sädemepüüduriga. Teistes osariikides või föderaalpiirkondades võivad olla sarnased õigusaktid, vt USA föderaalõigusaktide koodeksi 36. jaotise osa 261.52. Võtke ühendust originaalvaruosade tootja, jaemüüja või edasimüüjaga, et hankida sellele mootorile paigaldatud väljalaskestüsteemile mõeldud sädemepüüdur.

See on õhkjahutusega mootor. Mustus või soovimatu praht võib õhuvoolu takistada ning põhjustada mootori ülekuumenemist. See toob kaasa jõudluse vähenemise ning vähendab mootori kasutusiga. Silindri jahutusribide vahele koguneb praht, mida ei saa eemaldada ilma mootori osalise lahtivõtmiseta. Laske Briggs & Strattoni volitatud hoolduskeskusel kindlasti õhkjahutussüsteemi kontrollida ja puhastada. Vt jaotist *Hooldusgraafik*.

1. Veenduge, et summuti ümbruses ja taga pole süttivaid materjale.
2. Kasutage harja või kuiva lappi, et puhastada puhuri korpuse kate, summuti ja silindri ümbrus prahist. ÄRGE kasutage mootori puhastamiseks vett.
3. Veenduge, et ühendusülid, vedrud ja juhtseadised on puhtad.
4. Kontrollige, kas summutil ei esine pragusid, roostet ega muid kahjustusi.
5. Eemaldage deflektor või sädemepüüdur, kui see on olemas, ja veenduge, et sellel ei esine kahjustusi ega tahmaummistusi. Kindlasti puhastage osad või asendage uutega, enne kui masinat uuesti kasutate.
6. Veenduge, et õlijahuti ribad, kui need on olemas, on puhtad.

Süüteküünla hooldus

Kontrollige süüteküünla sädemevahet (A, joonis 7) kaliibriga (B). Vajaduse korral reguleerige süüteküünla sädemevahet. Paigaldage süüteküünal ja pingutage soovitatava momendiga. Sädemevahe ja pingutusmomendi andmeid vt jaotisest *Tehnilised andmed*.

Mootoriõli vahetamine



HOIATUS Kütus ja selle aurud on kergestisüttivad ja plahvatusohtlikud. Põleng või plahvatus võib tekitada põletushaavu või surma.

Mootor ja summuti võivad kasutamise ajal kuumaks muutuda. Kui puudutate kuuma mootorit, võite saada põletushaavu.

- Kui kasutate õli eemaldamiseks ülemist õlitäitetoru, peab kütusepaak olema tühi. Kui see ei ole tühi, võib kütus lekkida ning põhjustada põlengu või plahvatuset.
- Seisake mootor ja oodake kaks (2) minutit enne mootori või summuti puudutamist. Veenduge, et mootorit ja summutit on ohutu puudutada.

Vana õli on ohtlik jääkprodukt ning seda tuleb käidelda nõuetekohaselt. Ärge visake seda olmejäätmete sekka. Ohutu kõrvaldamise ja/või ringlussevõetupunktide kohta saate teavet kohalikest omavalitsusest, hoolduskeskusest või edasimüüjalt.

Õlist tühjendamine

1. Kui mootor on SEISATUD, ent ikka veel soe, lahutage süüteküünla juhe / süüteküünalde juhtmed (D, joonis 8) ja hoidke seda/neid süüteküünlast/ süüteküünaldest (E) eemal.
2. Eemaldage õlivarras (A, joonis 9).

Õli väljalaskeava kork, kui see on olemas

1. Eemaldage õli väljalaskeava kork (F, joonis 10). Laske õli välja sobivasse mahutisse.

MÄRKUS. Mootorile saab paigaldada õli tühjenduskorgid (G, joonis 10).

2. Kui õli on välja voolanud, pange õli tühjenduskork (F, joonis 10) tagasi ja keerake kinni.

Õli kiirväljalaskeava, kui see on olemas

1. Eemaldage õli kiire väljalaskmise voolik (H, joonis 11) mootori küljelt.
2. Keerake õli väljalaskeava kork lahti ja eemaldage (I, joonis 11). Asetage õli kiirväljalaskevoolik (H) ettevaatlikult sobivasse mahutisse (J).
3. Kui õli on välja voolanud, paigaldage õli kiire väljalaskmise kork (I, joonis 11) tagasi. Kinnitage õli kiire väljalaskmise voolik (H) mootori küljele.

Õli lisamine

- Veenduge, et mootor on rõhtasendis.
- Puhastage õlitäiteava ümbrus prahist.
- Õli mahtu vt jaotisest *Tehnilised andmed*.

1. Eemaldage õlivarras (A, joonis 3). Puhastage õlivarras lapiga õlist.
2. Valage õli aeglaselt õlitäiteavasse (C, joonis 3). **Ärge valage mootoriõli täitetorusse liiga palju õli.** Oodake üks minut ja kontrollige siis õlitaset.

MÄRKUS. Õli ei tohi lisada õli kiirväljalaskeava kaudu, kui see on olemas.

3. Paigaldage õlivarras ja keerake kinni (A, joonis 3).
4. Eemaldage õlivarras ja kontrollige õlitaset. Õige õlitase on õlivarda täistaseme tähise ülaseravas (B, joonis 3).
5. Paigaldage õlivarras ja keerake kinni (A, joonis 3).
6. Ühendage süüteküünla juhe / süüteküünalde juhtmed süüteküünlaga/ süüteküünaldegaga. Vt jaotist *Õlist tühjendamine*.

Õlifiltri vahetamine

1. Laske õlil mootorist välja voolata. Vt jaotist *Õlist tühjendamine*.

- Eemaldage õlifilter (H, joonis 12) ning kõrvaldage see nõuetekohaselt.
- Enne uue õlifiltri paigaldamist niisutage õlifiltri tihendit kergelt puhta õliga.
- Keerake õlifiltrit käsitsi kinni, kuni tihend on õlifiltri adapteri vastas, seejärel pingutage õlifiltrit veel ½ kuni ¾ pöörde võrra.
- Lisage õli. Vt jaotist **Õli lisamine**.
- Käivitage ja käitage mootorit. Kui mootor on soojenenud, kontrollige õilikekideid.
- Seisake mootor. Veenduge, et õlitase ulatub õlivardal täistase tühise ülaosasse. Vt jaotist **Õli lisamine**.

Õhufiltri hooldus

HOIATUS

Kütuseaurud on tule- ja plahvatusohtlikud. Põleng või plahvatus võib tekitada põletushaavu või surma.

- Ärge käivitage ega käitage mootorit, kui õhupuhasti koost (kui on masina varustuses) või õhufilter (kui on masina varustuses) on eemaldatud.

MÄRKUS

Ärge kasutage filtri puhastamiseks suruõhku ega lahusteid. Suruõhk võib filtrit kahjustada ja lahustid lagundavad seda.

Hooldusnõudeid vt jaotisest **Hooldusgraafik**.

Eri mudelites kasutatakse vahtlemendiga või paberist filtrit. Mõnel mudelil võib olla ka lisavarustusse kuuluv eelpuhasti, mida on võimalik pesta ja uuesti kasutada. Võrreldes kasutusjuhendi jooniseid oma mootorile paigaldatud tüübiga ja hooldage sellele vastavalt.

Paberist õhufilter (eelpuhastiga)

- Vabastage sulgur(id) (A, joonis 13).
- Eemaldage õhufiltri kate (B, joonis 13).
- Eemaldage filter (C, joonis 13) ja eelpuhasti (D), kui see on olemas.
- Prahi eemaldamiseks koputage filtrit kergelt vastu kõva pinda. Kui filter on määrdunud, asendage see uue filtriga.
- Peske eelpuhastit (D, joonis 13), kui see on olemas, vedela pesuvahendi ja veega. Laske eelpuhastil õhu käes täielikult ära kuivada. **ÄRGE** määrige eelpuhastit.
- Paigaldage kuiv eelpuhasti (D, joonis 13), kui see on olemas, ja filter (C) filtri alusesse (E).
- Paigaldage õhufiltri kate (B, joonis 13) ja kinnitage sulguri(te)ga (A). Veenduge, et sulgur(id) on tihedalt kinni.

Õhufiltri koost (kassett koos eelpuhastiga)

- Vabastage sulgur(id) (A, joonised 14, 15).
- Eemaldage õhufiltri kate (B, joonised 14, 15).
- Tõstke filtri ots üles, et filter (C, joonised 14, 15) eemaldada.
- Prahi eemaldamiseks koputage filtrit kergelt vastu kõva pinda. Kui filter on määrdunud, asendage see uue filtriga.
- Eemaldage filtri (C) küljest eelpuhasti (D, joonised 14, 15).
- Puhastage eelpuhastit (D, joonised 14, 15) vedela pesuvahendi ja veega. Laske eelpuhastil õhu käes täielikult ära kuivada. **ÄRGE** määrige eelpuhastit.
- Paigaldage filtrile kuiv eelpuhasti (D, joonised 14, 15), kui see on olemas.
- Paigaldage filter (C, joonised 14, 15) ja eelpuhasti (D), kui see on olemas, filtri alusesse (E) ja vajutage koostu alla, kuni kuulete klõpsatust.
- Paigaldage õhufiltri kate (B, joonised 14, 15) ja kinnitage sulguri(te)ga (A). Veenduge, et sulgur(id) on tihedalt kinni.

Kütusesüsteemi hooldus

HOIATUS

Kütus ja selle aurud on kergestisüttivad ja plahvatusohtlikud. Põleng või plahvatus võib tekitada põletushaavu või surma.

- Hoidke kütus eemal sädemetest, lahtisest leegist, pilootleekidest, kuumusest ja muudest süüteallikatest.
- Kontrollige regulaarselt kütusevoolikuid, kütusepaaki, kütusepaagi korki ning liitmikke pragude ja lekete suhtes. Vahetage kahjustatud osad.
- Kütuse mahaloksumisel oodake selle aurustumiseni, enne kui mootori käivitate.

Kütusefilter, kui see on olemas

- Enne kütusefiltri (A, joonis 16) vahetamist tuleb kütusepaak tühjendada või kütusekraan sulgeda. Kui kütusepaaki ei tühjendata, võib kütus lekkida ning põhjustada tulekahju või plahvatus.

- Pigistage tangidega klambri (C) sakid (B, joonis 16) kokku. Seejärel tõmmake klambriid kütusefiltrilt (A) ära.
- Keerake kütusevoolikuid (D, joonis 16) ja tõmmake need kütusefiltri küljest ära.
- Veenduge, et kütusevoolikud (D, joonis 16) ei leki ega ole pragunenud. Vajadusel asendage kütusevoolikud.
- Asendage kütusefilter (A, joonis 16).
- Kinnitage kütusevoolikud (D, joonis 16) klambritega (C).

Hoiustamine Kütusesüsteem

Vt joonist: 17.

HOIATUS

Kütus ja selle aurud on kergestisüttivad ja plahvatusohtlikud. Põleng või plahvatus võib tekitada põletushaavu või surma.

Kütuse ladustamine

- Kuna pilootleegid jm süüteallikad võivad põhjustada plahvatusi, hoidke kütust ja masinaid eemal ahjustest, pliitidest, boileritest jt pilootleegiga seadmetest.

Hoidke mootorit horisontaalasendis (tavaline tööasend). Täitke kütusepaak (A, joonis 17) kütusega. Kütuse paisumise lubamiseks ärge täitke kütusepaagi kaela alumisest servast kõrgemale (B).

Kütus võib rikneda, kui seda hoitakse mahutis kauem kui 30 päeva. Kütusemahutisse on soovitatav lisada alkoholivaba kütusestabilisaatorit ja etanoolisaldusega kütusele mõeldud kütuselisandit, et vältida kütuse riknemist ja hoida kütust värskena.

Kui tangite kütusemahutisse kütust, lisage sinna alkoholivaba kütusestabilisaatorit vastavalt tootja juhiste. Kui mootoris olevale bensiinile pole kütusestabilisaatorit lisatud, siis tuleb kütus sobivasse mahutisse valada. Käitage mootorit, kuni kütus on otsas.

Mootoriõli

Vahetage mootoriõli, kui mootor on veel soe. Vt jaotist **Mootoriõli vahetamine**.

Törkeotsing Abi

Abi saamiseks võtke ühendust kohaliku edasimüüjaga või minge aadressil **BRIGGSandSTRATTON.COM** või helistage numbril **1-800-444-7774** (USA).

Tehnilised andmed ja varuosad

Spetsifikatsioonid	Mudel: 400000	Mudel: 440000
Töömaht	40,03 in ³ (656 cm ³)	44,18 in ³ (724 cm ³)
Kaliiber	2.970 in (75,43 mm)	3.120 in (79,24 mm)
Kolvi käik	2.890 in (73,41 mm)	2.890 in (73,41 mm)
Õli kogus	62 - 64 oz (1,8 - 1,9 l)	62 - 64 oz (1,8 - 1,9 l)
Süüteküünla sädemevahe	.030 in (,76 mm)	.030 in (,76 mm)
Süüteküünla pingutusmoment	180 lb-in (180 Nm)	180 lb-in (20 Nm)
Süütemagneeto õhupilu	.008 - .012 in (,20 - ,30 mm)	.008 - .012 in (,20 - ,30 mm)
Sisselaskeklapi vahe	.004 - .006 in (,10 - ,15 mm)	.004 - .006 in (,10 - ,15 mm)
Väljalaskeklapi vahe	.004 - .006 in (,10 - ,15 mm)	.004 - .006 in (,10 - ,15 mm)

Spetsifikatsioonid	Mudel: 490000
Töömaht	49,42 in ³ (810 cm ³)
Kaliiber	3.300 in (83,81 mm)
Kolvi käik	2.890 in (73,41 mm)
Õli kogus	66 - 68 oz (1,9 - 2,0 l)
Süüteküünla sädemevahe	.030 in (,76 mm)
Süüteküünla pingutusmoment	180 lb-in (180 Nm)
Süütemagneeto õhupilu	.008 - .012 in (,20 - ,30 mm)
Sisselaskeklapi vahe	.004 - .006 in (,10 - ,15 mm)
Väljalaskeklapi vahe	.004 - .006 in (,10 - ,15 mm)

Varuosad

Briggs & Strattoni varuosade ostmiseks leidke volitatud hoolduskeskus saidilt BRIGGSandSTRATTON.COM. Vajate oma masina identifitseerimisnumbrit (mudel – tüüp – versioon). Oma mootori identifitseerimisnumbri leidmise juhiseid vt jaotisest **Funktsioonid ja juhtseadised**.

Nimivõimsus

Üksikute bensiinimootorite nimivõimsused on märgitud kooskõlas SAE (USA Autoinseneride Liidu) standardiga J1940 (väikemootorite võimsuse ja pöördemomendi määramise protseduur) ja nimiväärtuste andmed on saadud ning korrigeeritud kooskõlas standardiga SAE J1995. Pöördemomendi väärtused on saadud kiirusel 2600 p/min nendel mootoritel, mille andmesildil on märgitud „rpm” ja kiirusel 3060 p/min kõigi teiste puhul; hobujõudude väärtused on saadud kiirusel 3600 p/min. Koguvõimsuse kõveraid saab vaadata aadressil www.BRIGGSandSTRATTON.COM. Tegelikku netovõimsust on mõõdetud koos väljalasketoru ja õhupuhastiga, brutovõimsust aga mõõdetakse ilma nende seadisteta. Mootori tegelik koguvõimsus on suurem kui netovõimsus ja sõltub muu hulgas keskkonnatingimustest ning mootorite individuaalsetest erinevustest. Arvestades laia tooteskaalat, milles mootoreid kasutatakse, ei pruugi bensiinimootor saavutada märgitud brutovõimsust konkreetses seadmes. See erinevus tuleneb mitmest tegurist, k.a mitmesugused mootori osad (õhupuhasti, väljalaskesüsteem, laadimine, jahutus, karburaator, kütusepump jne), kasutuspiirangud, keskkonnatingimused (temperatuur, niiskus, kõrgus) ning mootorite individuaalsed erinevused. Tootmis- ja mahupiirangute tõttu võib Briggs & Stratton asendada selle mootori kõrgema nimivõimsusega mootoriga.

Garantii

Briggs & Stratton® -i mootorigarantii

Kehtiv alates 2022. a augustist

Piiratud garantii

Briggs & Stratton garanteerib järgnevalt nimetatud garantiiperioodi jooksul mis tahes osa, millel on materjali- või tootmisdefekt või mõlemad, tasuta parandamise või asendamise uue, taastatud või remonditud osaga. Konkreetne parandusmeede valitakse Briggs & Strattoni ainuäranägemisel. Parandamiseks või asendamiseks saadetakse toote transpordikulud tasuta ostja. Käesolev garantii kehtib allpool nimetatud ajaperioodil ja tingimustel. Garantiiteeninduse saamiseks otsige lähim volitatud hoolduskeskus meie edasimüüjate kaardilt aadressil BRIGGSandSTRATTON.COM. Ostja peab võtma ühendust volitatud hooldustöökajaga ja andma seejärel toote volitatud hooldustöökajale kontrollimiseks ja testimiseks.

Käesolev garantii on ainus selgesõnaline garantii. Kaudsed garantiid, kaasa arvatud need, mis puudutavad turustatavust ja konkreetseks otstarbeks sobivust, kehtivad ostukuupäevast alates ühe aasta jooksul või seadusega nõutud perioodi kestel. Kõik muud kaudsed garantiid on välistatud. Vastutus ettenägematute või kaudsete kahjude eest on välistatud seadusega lubatud ulatuses. Mõned riigid või osariigid ei luba piiranguid kaudse garantii kehtivusajale ning mõned riigid või osariigid ei luba juhuslike või kaudsete kahjude välistamist või piiramist, mistõttu nimetatud piirang või välistamine ei pruugi teile kehtida. See garantii annab teile konkreetset juriidilist õigust ja teil võib olla ka muid õigusi olenevalt osariigist või riigist.

Garantii tüüptingimused^{1, 2}

Vanguard®; Commercial Series
Tarbijakasutus - 36 kuud
Kommertskasutus - 36 kuud
XR Series
Tarbijakasutus - 24 kuud
Kommertskasutus - 24 kuud
Kõik muud mootorid, millel on Dura-Bore™ malmist muhv
Tarbijakasutus - 24 kuud
Kommertskasutus - 12 kuud
Kõik muud mootorid
Tarbijakasutus - 24 kuud
Kommertskasutus - 3 kuud

¹ Need on meie üldised garantiitingimused, kuid vahel võivad lisanduda täiendavad garantiid, mis ei olnud juhendi ilmumise ajal kindlaks määratud. Kehtivad mootori garantiitingimused leiate veebisaidilt BRIGGSandSTRATTON.com. Teise võimalusena pöörduge kohaliku Briggs & Strattoni volitatud hoolduskeskuse poole.

² Garantii ei kehti mootoritele nendes masinates, mida kasutatakse peamise toiteallikana vooluvõrgu asemel; kommertseesmärkidel töötavate varugeneraatoritena ja teenindussõidukitena, mille kiirus ületab 25 mi/h. Garantii ei kehti ka mootoritele, mida kasutatakse võidusõitudel või äri- või rendiotstarbel.

* Austraalias – meie toodetel on garantiid, mida ei saa Austraalia tarbijaoiguse kohaselt välistada. Teil on õigus toote asendamisele või tagasimaksele suure rike korral ning kompensatsioonile mis tahes muude mõistlikult prognoosivate kadude või kahjude korral. Samuti on teil õigus toodete parandamisele või asendamisele, kui toodete kvaliteet ei ole vastuvõetaval tasemel ja rike ei ole suur. Garantiihoolduseks pöörduge lähima volitatud hoolduskeskuse poole, kasutades meie edasimüüjate kaarti aadressil BRIGGSandSTRATTON.COM või helistades numbril 1300 274 447 või saates e-kirja aadressil salesenquiries@briggsandstratton.com.au, Briggs & Stratton Australia Pty Ltd, 1 Moorebank Avenue, Moorebank, NSW, Austraalia, 2170.

Garantiiperiood algab esmase era- või ärikasutaja ostukuupäevast ning kestab eeltoodud tabelis näidatud aja jooksul. „Tavakasutus” tähendab isiklikku kasutamist kodumajapidamises jaetarbija poolt. „Kommertskasutus” tähendab kõiki teisi kasutusviise, kaasa arvatud ärilisel, tulu saamise või rentimise eesmärgil kasutamist. Kui mootorit on kasutatud mõnel perioodil kommertseesmärkidel, siis loetakse seda mootorit selle garantii mõttes ärikasutuses olevaks mootoriks.

Briggs & Strattoni toodetel pole garantii kehtivuseks garantii registreerimine vajalik. Hoidke ostmist tõendav tšekk alles. Kui teil puudub esmast ostukuupäeva tõendav dokument, siis lähtutakse garantiiteenindusel garantiiperioodi pikkuse määramisel toote tootmiskuupäevast.

Teie garantiist

See garantii laieneb üksnes mootoriga seotud materjali- või valmistusvigadele ning ei hõlma selle masina asendamist ega hüvitamist, millesse mootor paigaldati. Garantii ei hõlma jooksvat hooldust, häälestamist, reguleerimist ja mootori tavalist kulumist. Samuti ei kehti garantii juhul, kui mootorit on muudetud või modifitseeritud või kui selle seerianumber on rikutud või eemaldatud. Käesolev garantii ei kata mootori kahjustusi ega toimivusprobleeme, mis tulenevad:

1. Briggs & Strattoni mitte-originaal varuosade kasutamisest;
2. mootori kasutamisest õliga, mida on lisatud ebapiisavas koguses või mis on saastunud või vale kvaliteediklassiga;
3. saastunud või vana kütuse kasutamisest, bensiini kasutamisest, mis sisaldab üle 10% etanooli, või muude kütuste kasutamisest, nt vedelgaas või maagaas, mootoritel, mis pole Briggs & Stratton poolt algselt konstrueeritud/toodetud tööks selliste kütustega;
4. mustusest, mis on mootorisse sattunud õhupuhasti vale hoolduse tõttu või mootori uuesti kokkupanekul;
5. muruniiduki lõiketeraga objekti tabamisest, terakohandajate, tiivikute või teiste väntvõllile ühendatud seadiste ebaõigest paigaldusest, kiilrihma liigest pingusest;
6. muude kui Briggs & Stratton pakutavate abiosade või sõlmede, nt sidurite, jõuülekannete, seadme juhtseadiste jne kasutamisest;
7. ülekuumenemisest, mis on tekkinud niidetud muru, mustuse, prahi või jahutusribidest või hooratta alasse sattunud näriliste pesade tõttu või on tingitud mootori kasutamisest piisava ventilatsiooniga;
8. ülemäärases vibratsioonist, mis on tingitud liigest kiirusest, mootori lahtisest paigaldusest, lahtisest või tasakaalustamata lõiketeradest või tiivikutest või masinaosade valest ühendamisest väntvõllile;
9. väärkasutusest, regulaarse hoolduse puudumisest, laadimisest, käsitsemisest, masinate ladustamisest või mootori valest paigaldamisest.

Garantiinhooldust teostavad ainult Briggs & Stratton volitatud hoolduskeskused. Leidke lähim volitatud hoolduskeskus meie edasimüüjate kaardilt aadressil BRIGGSandSTRATTON.COM või helistades numbril 1-800-444-7774 (USA).

80114782 (redaktsioon A)

Opće informacije



Ovaj priručnik sadrži sigurnosne informacije o opasnostima i rizicima povezanih s ovim motorom i načinima sprječavanja tih opasnosti. Ovdje se također nalaze upute o tome kako na ispravan način koristiti i održavati motor. Važno je da pročitate, shvatite i pridržavate se ovih uputa. **Sačuvajte ovaj priručnik kako biste se ubuduće mogli njime poslužiti.**

NAPOMENA: Slike i ilustracije u ovom priručniku služe samo u informativne svrhe i mogu se razlikovati od vašeg modela. Koristite slike sukladne konfiguraciji vašeg motora. Po potrebi obratite se ovlaštenom serviseru.

Zapišite datum kupnje, model motora, vrstu, podešavanje motora i serijski broj jer će vam trebati za zamjenske dijelove. Ovi brojevi nalaze se na motoru. Pogledajte dio **Funkcije i upravljanje**.

Datum kupnje	
Model - vrsta - podešavanje motora	
Serijski broj motora	

Kontaktni podaci europskog ureda

Za pitanja vezana za emisije ispušnih plinova u Europi, kontaktirajte naš europski ured na adresi:


Max-Born-Straße 2, 68519 Viernheim, Njemačka.

Europska unija (EU) Faza V (5): Vrijednosti za ugljični dioksid (CO2)

Unesite CO2 u prozor za pretraživanje na stranici BriggsandStratton.com kako biste pronašli vrijednosti za ugljični dioksid za Briggs & Stratton motore s EU certifikatom tipnog odobrenja.

Sigurnost rukovatelja

Sigurnosni simboli upozorenja i signalne riječi

Sigurnosni simbol upozorenja  upotrebljava se za prikaz sigurnosnih informacija o opasnostima koje mogu izazvati tjelesne ozljede. Signalna riječ (**OPASNOST**, **UPOZORENJE**, ili **OPREZ**) se koristi za isticanje vjerojatnosti i težine potencijalne ozljede. Osim toga, simbol opasnosti se koristi za označavanje vrste opasnosti.









OPASNOST označava opasnost koja će, ukoliko se ne izbjegne, izazvati smrt ili tešku ozljedu.



UPOZORENJE označava opasnost koja može, ukoliko se ne izbjegne, izazvati smrt ili tešku ozljedu.

OPREZ označava opasnost koja može, u slučaju da se ne izbjegne, izazvati laku ili srednje tešku ozljedu.

OPASKA se odnosi na važnu informaciju koja nije povezana s opasnošću.

Simboli opasnosti i njihovo značenje

 Sigurnosne informacije o opasnostima koje mogu rezultirati tjelesnom ozljedom.	 Pročitajte i proučite korisnički priručnik prije upotrebe ili servisiranja uređaja.
 Opasnost od požara	 Opasnost od eksplozije
 Opasnost od strujnog udara	 Opasnost od otrovnog dima
 Opasnost od vruće površine	 Opasnost od povratnog udara

 Opasnost od amputacije - pokretni dijelovi	 Razina goriva - maksimalna Nemojte prepunjavati
---	---



Sigurnosne poruke



UPOZORENJE

Motori tvrtke Briggs & Stratton® nisu namijenjeni za i ne smiju se koristiti za pogon: fun-kart i go-kart karting vozila; dječjih, rekreacijskih ili sportskih ATV vozila; motocikala; lebdjelica; zrakoplova ili vozila koja se koriste u natjecanjima za koja tvrtka Briggs & Stratton nije dala odobrenje. Više pojedinosti o proizvodima za natjecateljsku vožnju potražite na www.briggsracing.com. U vezi s upotrebom na pomoćnim i paralelnim ATV vozilima kontaktirajte Centar za primjenu pogona tvrtke Briggs & Stratton na broj 1-866-927-3349. Nepravilna upotreba motora može rezultirati teškom ozljedom ili smrću.

Informacije o recikliranju

		Reciklirajte sve kartone, kutije, otpadno ulje i baterije kako je određeno u državnim propisima.
---	--	--








Funkcije i upravljanje

Upravljački elementi motora

Usporedite slova oznaka na slikama 1 i 2 s upravljačkim elementima motora na popisu kako slijedi:

- Brojevi za prepoznavanje motora **model - vrsta - šifra**
- Svjećica
- Filtar za zrak
- Štapić za mjerenje razine ulja
- Čep odvoda ulja
- Poklopac kućišta ventilatora
- Uljni filtari
- Elektropokretač
- Rasplinjač
- Filtar ulja (ako je ugrađen)
- Pumpa za gorivo (ako je ugrađena)
- Brzi ispušni ulja (ako je ugrađen)
- Hladnjak ulja (ako je ugrađen)
- Elektronička upravljačka jedinica (ako je ugrađena)

Simboli upravljanja motorom i njihovo značenje

 Brzina vrtnje motora - VISOKA	 Brzina vrtnje motora - NISKA
 Brzina vrtnje motora - ZAUSTAVLJEN	 Uključeno - Isključeno
 Pokretanje motora Čok ZATVOREN	 Pokretanje motora Čok OTVOREN
 Čep spremnika za gorivo Ventil za dovod goriva - OTVOREN	 Ventil za dovod goriva - ZATVOREN

Rukovanje



UPOZORENJE

Pare goriva su zapaljive i eksplozivne. Požar ili eksplozija mogu uzrokovati opekline ili smrt.

Ako namirišete plin

- Nemojte pokretati motor.
- Nemojte uključivati električne prekidače.
- Nemojte u blizini koristiti telefon.
- Evakuirajte područje.
- Obratite se vatrogascima.

Kad rukujete opremom

- Ne naginjte motor ili opremu pod kutom koji može izazvati izlivanje goriva.

Kada premjestite lokaciju opreme

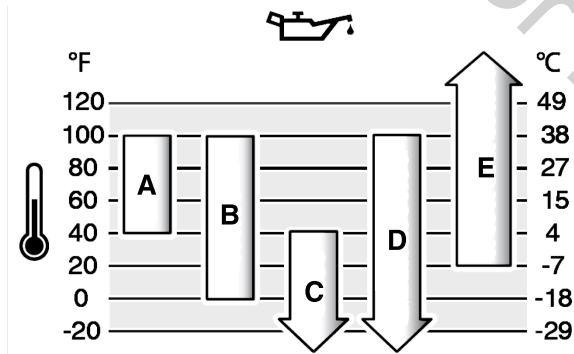
- Pazite da spremnik za gorivo bude PRAZAN ili da ventil za zatvaranje dovoda goriva, ako je ugrađen, bude u položaju ZATVORENO.

Preporučena ulja

Kapacitet spremnika ulja: Pogledajte odjeljak **Tehnički podaci**.

Za postizanje najboljeg radnog učinka preporučujemo uporabu ulja tvrtke Briggs & Stratton® koja su odobrena jamstvom. Dopuštena su i druga visokokvalitetna motorna ulja s aditivima deterdženta ako im je oznaka kvalitete SF, SG, SH, SJ ili viša. Ne koristite posebne aditive.

Koristite grafikon za odabir najbolje viskoznosti u skladu s očekivanim rasponom vanjske temperature. Motori za većinu opreme za vanjsku primjenu dobro rade sa sintetičkim uljem 5W-30. Za opremu kojom se rukuje na visokim temperaturama, najbolju zaštitu daje sintetičko ulje Vanguard® 15W-50.



A	SAE 30 - Upotreba ulja SAE 30 na temperaturi ispod 40 °F (4 °C) izazvat će teškoće s pokretanjem.
B	10W-30 - Upotreba ulja 10W-30 na temperaturi iznad 80 °F (27 °C) može povećati potrošnju ulja. Često provjeravajte razinu ulja.
C	5W-30
D	Sintetičko ulje 5W-30
E	Vanguard® sintetičko ulje 15W-50

Provjerite razinu ulja

Prije nego provjerite ili dolijete ulje

- Pazite da motor bude u vodoravnom položaju.
- Iz područja za ulijevanje ulja očistite nečistoće.
- Pogledajte odjeljak **Tehnički podaci** za količinu ulja.

OPASKA

Ovaj se motor iz tvrtke Briggs & Stratton isporučuje bez ulja. Moguće je da su proizvođači opreme ili prodajni zastupnici dodali ulje u motor. Prije nego prvi put pokrenete motor, provjerite je li razina ulja ispravna. Dolijte ulje kako je navedeno u uputama iz ovog priručnika. Ako motor pokrenete bez ulja, on će se oštetiti, i neće biti moguć popravak pokriven jamstvom.

1. Izvadite štapić za mjerenje razine ulja (A, slika 3a) i očistite ga krpom.
2. Postavite i stegnite štapić za mjerenje razine ulja (A, slika 3).
3. Izvadite štapić za mjerenje razine ulja i provjerite razinu ulja. Pripazite da razina ulja bude do vrha indikatora napunjenosti (B, slika 3) na štapiću za mjerenje razine ulja.
4. Ako je razina ulja niska, polako dolijevajte ulje u otvor za ulijevanje ulja na motoru (C, slika 3). Nemojte uliti previše ulja.

5. Pričekajte jednu minutu, zatim ponovo provjerite razinu ulja. Provjerite je li razina ulja ispravna.
6. Postavite i stegnite štapić za mjerenje razine ulja (A, slika 3).

Sustav zaštite od preniske razine ulje (ako je ugrađen)

Na neke motore je ugrađen indikator niske razine ulja. Ako je razina ulja niska, indikator (osjetnik) će pokazati upozoravajuće svjetlo ili zaustaviti rad motora. Zaustavite motor i napravite ove korake prije pokretanja motora.

- Pazite da motor bude u vodoravnom položaju.
- Provjerite razinu ulja. Pogledajte odjeljak **Provjera razine ulja**.
- Ako je razina ulja niska, ulijte odgovarajuću količinu ulja. Pokrenite motor i pazite da lampica upozorenja (ako je ugrađena) ne svijetli.
- Ako razina ulja nije niska, nemojte pokretati motor. Kontaktirajte ovlaštenog servisera Briggs & Stratton kako bi ispravio problem s uljem.

Preporučena goriva

Gorivo mora zadovoljiti ove zahtjeve:

- Čist, svjež bezolovni benzin.
- Najmanje 87 oktana / 87 AKI (91 RON). Uporaba na velikoj nadmorskoj visini, vidi dolje.
- Dozvoljen je benzin s najviše 10% etanola (gazohol).

OPASKA

Nemojte rabiti neodobrene benzine, primjerice, E15 i E85. Ne miješajte ulje i benzin te ne mijenjajte motor kako bi ga pokretala alternativna goriva. Upotreba neodobrenih goriva može dovesti do oštećenja dijelova motora, koji se neće popraviti u okviru jamstva.

Za zaštitu sustava dovoda goriva od stvaranja gume i korozije, pomiješajte stabilizator goriva koji ne sadrži alkohol i etanol s gorivom. Pogledajte odjeljak **Pohrana**. Nisu sva goriva jednaka. Ako dođe do problema prilikom paljenja ili rada, promijenite dobavljača goriva ili robnu marku goriva. Ovaj motor je certificiran za rad na benzin. Sustav kontrole emisija za motore s rasplinjačem je EM (preinake motora). Sustavi kontrole emisija za motore s elektroničkim ubrizgavanjem goriva su ECM (upravljački modul motora), MPI (ubrizgavanje u više točaka), TBI (ubrizgavanje putem kućišta prigušne zaklopke) i O2S (lambda sonda), ako je motor njome opremljen.

Velika nadmorska visina

Na visinama iznad 5.000 stopa (1524 metra) dozvoljen je benzin s minimalno 85 oktana / 85 AKI (89 RON).

Za motore koji su karburirani, nužno je izvršiti podešavanje za visoke nadmorske visine kako bi se zadržale performanse. Rad bez ovih podešavanja izazvat će smanjenje performansi, povećat će potrošnju goriva i emisiju plinova. Za više informacija o podešavanju na velikim nadmorskim visinama kontaktirajte ovlaštenog zastupnika tvrtke Briggs & Stratton. Na nadmorskim visinama ispod 2500 stopa (762 metra) ne preporučuje se rad s podešavanjima za visoke nadmorske visine.

Za motore s elektroničkim ubrizgavanjem goriva (EFI) nije potrebno podešavanje za visoke nadmorske visine.

Dolijte ulje



UPOZORENJE

Gorivo i njegove pare su zapaljivi i eksplozivni. Požar ili eksplozija mogu uzrokovati opekline ili smrt.

Kad dodajete ulje

- Zaustavite motor. Prije uklanjanja čepa za gorivo, pričekajte najmanje dvije (2) minute kako biste se uvjerali da je motor hladan.
- Spremnik za gorivo punite vani ili u području s dobrim protokom zraka.
- Nemojte ulijevati previše goriva u spremnik. Radi ekspanzije goriva, ne punite spremnik iznad donjeg dijela grla spremnika za gorivo.
- Gorivo držite podalje od iskri, otvorenog plamena, plinskog plamena, topline ili drugih izvora zapaljenja.
- Često ispitujte cijevi za gorivo, spremnik za gorivo, čep za ulje, i spojeve na pukotine ili curenje. Zamijenite oštećene dijelove.
- Ako se gorivo prolje, pričekajte dok se ne osuši prije pokretanja motora.

1. Očistite nečistoće i ostatke s površine čepa spremnika za gorivo. Uklonite čep spremnika za gorivo.
2. Spremnik za gorivo (A, slika 4) napunite gorivom. Budući da će gorivo expandirati, ne punite spremnik iznad donjeg dijela grla spremnika za gorivo (B).
3. Vratite čep spremnika za gorivo.

Pokretanje motora



UPOZORENJE

OPASNOST OD OTROVNOG PLINA. Ispušni plinovi motora sadrže ugljični monoksid, otrovni plin koji vas može usmrtniti za nekoliko minuta. Iako ne osjećate miris ispušnih plinova, ipak možete biti izloženi opasnom ugljičnom monoksidu. Ako osjećate mučninu, vrtoglavicu ili slabost kada koristite ovaj proizvod, ODMAH izađite na svjež zrak. Potražite pomoć liječnika. Možda ste se otrovali ugljičnim monoksidom.

- Plin ugljični monoksid skuplja se u prostorima u kojima borave ljudi. Da biste smanjili opasnost od nakupljanja ugljičnog monoksida, ovaj proizvod koristite ISKLJUČIVO na otvorenom, na velikoj udaljenosti od prozora, vrata i ventilacijskih otvora.
- Montirajte detektore (alarme) ugljičnog monoksida pokretane baterijom ili utični detektor (alarm) ugljičnog monoksida s baterijom kao što je navedeno u uputama proizvođača. Detektori dima ne mogu osjetiti prisutnost ugljičnog monoksida.
- NE rukujte ovim proizvodom u kućama, garažama, podrumima, u skućenim prostorima, ostavama ili drugim djelomično zatvorenim prostorima čak i ako koristite ventilatore ili držite otvorenim vrata i prozore radi ventilacije. Nakon upravljanja ovim proizvodom, ugljični monoksid se može brzo nakupiti u ovim prostorima i ostati tamo satima.
- Proizvod UVIJEK stavljajte niz vjetar i usmjerite ispuh motora dalje od mjesta u kojemu borave ljudi.



UPOZORENJE

Gorivo i njegove pare su zapaljivi i eksplozivni. Požar ili eksplozija mogu uzrokovati opekline ili smrt.

Prilikom pokretanja motora

- Provjerite jesu li svječića, prigušivač, čep spremnika za gorivo i filtar zraka (ako je ugrađen) ispravno postavljeni.
- Ne pokušavajte pokrenuti motor okretanjem ako je svječića izvađena.
- Ako je motor potopljen, postavite čok (ako je ugrađen) u položaj OTVORENO ili RAD. Čok prebacite (ako je ugrađen) u položaj BRZO, i verglajte sve dok se motor ne pokrene.
- Ako je prisutno ispuštanje prirodnog plina ili ukapljenog naftnog plina u području rada, tada ne pokrećite motor.
- Budući da su pare zapaljive, ne koristite tekućine za pokretanje pod tlakom.



UPOZORENJE

Dijelovi koji se vrte mogu zahvatiti ruke, noge, kosu, odjeću ili pomagala, i uzrokovati traumatsku amputaciju ili otvorene ozljede.

- Rukujte opremom s pravilno postavljenim štitnicima.
- Ruke i noge držite podalje od rotirajućih dijelova.
- Skinite nakit i pazite da duga kosa bude udaljena od svih okretnih dijelova.
- Ne nosite labavu odjeću ili predmete koji bi mogli biti zahvaćeni.

1. Provjerite motorno ulje. Pogledajte odjeljak **Provjera razine ulja**.
2. Provjerite jesu li upravljačke kontrole pogona stroja, ako su ugrađene, isključene.
3. Okrenite zaporni ventil za gorivo (A, slika 5), ako je ugrađen, u položaj OTVORENO
4. Pomaknite regulator gasa (B, slika 5), ako je ugrađen, u položaj BRZO.
5. **Za modele s čokom** (C, slika 5), ako je ugrađen, pomaknite čok u položaj ZATVORENO. **Za modele s kombiniranim regulatorom čok / gas** (G, slika 5), ako je ugrađen, regulator pomaknite u položaj ČOK. **Za modele s ReadyStart®**, idite na sljedeći korak.

NAPOMENA: Čok je obično nepotreban kad palite topli motor.

6. Za pokretanje motora okrenite sklopku s ključem (D, slika 5), ako je ugrađena, u položaj UKLJUČENO / POKRENI ili pritisnite gumb (E).
7. Kako se motor zagrijava, pomaknite regulator čoka (C, slika 5), ako je ugrađen, u položaj OTVORENO.

Zaustavite motor



UPOZORENJE

Gorivo i njegove pare su zapaljivi i eksplozivni. Požar ili eksplozija mogu uzrokovati opekline ili smrt.

- Motor nemojte zaustavljati gušenjem rasplinjača (ako je ugrađen).
1. Dok se regulator gasa nalazi u položaju za malu brzinu SPORO, sklopku za električno pokretanje (D, slika 6), ako je ugrađena, okrenite u položaj ISKLJUČENO.

2. Izvadite ključ i držite ga na sigurnom mjestu.
3. Kada se rad motora zaustavi, okrenite ventil za dovod goriva (A, slika 6), ako je ugrađen, u položaj ZATVORENO.

Održavanje Podaci o održavanju



UPOZORENJE

Gorivo i njegove pare su zapaljivi i eksplozivni. Požar ili eksplozija mogu uzrokovati opekline ili smrt.

Ako je tijekom održavanja potrebno nagnuti uređaj, pazite da spremnik za gorivo (ako je ugrađen na motor) bude prazan i da je strana sa svjećicom okrenuta prema gore. Ako spremnik za gorivo nije prazan, može doći do curenja, a posljedično i do požara ili eksplozije. Ako se motor nagne u drugom smjeru, neće se lako pokrenuti zbog onečišćenja filtra zraka ili svjećice uljem ili gorivom.



UPOZORENJE

Slučajna iskra motora može izazvati strujni udar, požar ili eksploziju, te može doći do zaplitanja, traumatske amputacije ili otvorene ozljede.

Prije nego što izvršite podešavanja ili popravke:

- Odvojite sve kabele svjećica i držite ih podalje od svjećica.
- Odspojite kabel akumulatora na negativnom priključku akumulatora (samo za motore s električnim pokretanjem).
- Koristite samo odgovarajuće alate.

Kad provjeravate ima li iskrenja:

- Koristite odobreni ispitivač svjećica.
- Ne provjeravajte ima li iskrenja kada je svjećica uklonjena.



UPOZORENJE

Zamjenski dijelovi moraju biti jednakog dizajna kao originalni i moraju se postaviti na isto mjesto kao i originalni dijelovi. Drugi dijelovi se pak mogu pokvariti ili uzrokovati ozljedu.

OPASKA

Svi sastavni dijelovi moraju biti na svom mjestu kako bi ovaj motor radio ispravno.

Obratite se ovlaštenom serviseru tvrtke Briggs & Stratton za održavanje i servis motora i dijelova motora.

Servis sustava za kontrolu emisija

Za održavanje, zamjenu ili popravak uređaja i sustava za kontrolu emisija, obratite se stručnoj radionici ili osobi koja se bavi popravcima malih motora. Ipak, za „besplatan“ servis sustava za kontrolu emisije radove mora obaviti ovlašteno serviser tvornice. Pogledajte izjave o kontroli emisije.

Plan održavanja

Nakon prvih 5 sati rada
<ul style="list-style-type: none">• Promijenite motorno ulje¹.
U razmacima od 8 sati ili dnevno
<ul style="list-style-type: none">• Provjerite razinu ulja u motoru.• Očistite područje oko prigušivača i kontrola upravljanja.• Očistite rešetku na usisu zraka.
U razmacima od 25 sati ili godišnje
<ul style="list-style-type: none">• Očistite filtar zraka².• Očistite predfilter².
U razmacima od 50 sati ili godišnje
<ul style="list-style-type: none">• Zamijenite motorno ulje³.• Zamijenite filtar ulja (ako je ugrađen)³.• Servisirajte ispušni sustav.
U razmacima od 100 sati ili godišnje
<ul style="list-style-type: none">• Zamijenite motorno ulje⁴.• Zamijenite filtar ulja (ako je ugrađen)⁴.
Jednom godišnje

- Zamijenite svječiću.
- Zamijenite filter zraka.
- Zamijenite pročistač.
- Zamijenite filter goriva.
- Servisirajte sustav hlađenja¹.
- Provjerite zazor ventila⁵.

¹ Samo motori s filtrom ulja.

² Čistite češće u prašnjavim uvjetima ili kad u zraku ima mnogo čestica.

³ Motori bez filtra ulja ili sa standardnim crnim filtrom ulja. Pogledajte odjeljak *Tehnički podaci* za broj dijela.

⁴ Motori s visokoučinkovitim žutim ili narančastim filtrom ulja. Broj dijela potražite u odjeljku *Tehnički podaci*.

⁵ Nije potrebno osim ako se pojave problemi u radu motora.

Sustav elektroničkog upravljanja gorivom

Sustav za elektroničko upravljanje gorivom nadzire temperaturu motora, brzinu motora i napon baterije zbog podešavanja čoka tijekom pokretanja i zagrijavanja motora. Sustav nema mogućnost prilagodbe. Ako se pojavi problem s pokretanjem ili radom, obratite se ovlaštenom serviseru tvrtke Briggs & Stratton.

OPASKA Svakako slijedite ova pravila jer bi u protivnom moglo doći do oštećenja elektroničkog sustava upravljanja gorivom.

- NE pokrećite motor ako su kabeli baterije olabavljeni.
- Prije nego što spojite kabele za premošteno pokretanje, ili odspojite ili ponovo spojite kabele akumulatora, prekidač s ključem okrenite u položaj ISKLJUČENO. Kada puniti akumulator, prekidač s ključem okrenite u položaj ISKLJUČENO.
- Kada odspajate kabele s akumulatora, odspojite negativni (-) kabel, a zatim odspojite pozitivni (+) kabel. Kada spajate kabele na akumulator, spojite pozitivni (+) kabel, a zatim negativni (-) kabel.
- NE koristite punjač baterije za pokretanje motora.
- NE odvajajte kabele baterije dok motor radi.
- NE prskajte vodom izravno po elektroničkoj upravljačkoj jedinici.

Rasplinjač i brzina vrtnje motora

Nikad ne radite podešavanja na rasplinjaču, opruzi regulatora, polužuju ili drugim dijelovima radi podešavanja brzine motora. Ako su potrebna bilo kakva podešavanja, obratite se ovlaštenom servisnom centru Briggs & Stratton za servis.

OPASKA

Proizvođač opreme propisuje maksimalnu brzinu vrtnje motora koji je montiran na opremi. Nemojte prekoračiti ovu brzinu. Ako niste sigurni kolika je maksimalna brzina vrtnje opreme ili na koju je brzinu vrtnje motor podešen u tvornici, obratite se ovlaštenom servisnom centru Briggs & Stratton radi pomoći. Kako bi se osigurao siguran i pravilan rad opreme, brzinu vrtnje smije podešavati samo kvalificirani serviser.

Servisiranje ispušnog i rashladnog sustava



UPOZORENJE Tijekom rada, motor i prigušivač postaju vrući. Ako dodirujete vrući motor, može doći do opekline.

Zapaljivi materijali, poput lišća, trave, grmlja mogu se zapaliti.

- Prije nego dodirnete motor ili prigušivač, zaustavite motor i pričekajte dvije (2) minute. Provjerite jesu li motor i prigušivač sigurni za dodirivanje.
- Odstranite ostatke s prigušivača i motora.

Uporaba ili rukovanje motorom na bilo kojem zemljištu prekrivenom šumom, grmljem ili travom smatra se kršenjem kalifornijskog zakona o javnim resursima dio 4442 (California Public Resource Code Section 4442), osim ako ispušni sustav nije opremljen hvatačem iskri kao što je to definirano u dijelu 4442 gornjeg zakona, koji treba održavati u dobrom radnom stanju. Druge države ili federalna zakonodavstva mogu imati slične zakone, pogledajte zadovoljavaju li zahtjeve američkih saveznih propisa 36 CFR dio 261.52. Kontaktirajte proizvođača originalne opreme, trgovca ili zastupnika i pribavite hvatač iskri osmišljen za ispušni sustav postavljen na ovom motoru.

Ovo je motor sa zračnim hlađenjem. Prljavština i nečistoće mogu spriječiti protok zraka i izazvati pregrijavanje motora. To rezultira nezadovoljavajućim radom i kraćim vijekom trajanja motora. Na rebrima cilindra hladnjaka može se nakupiti neželjeni materijal koji se ne može ukloniti bez djelomičnog rastavljanja motora. Osigurajte da ovlaštenu servisnu tvrtku Briggs & Stratton pregleda i očisti sustav zračnog hlađenja. Pogledajte *Raspored održavanja*.

1. Pazite da oko i iza prigušivača nema nikakvih zapaljivih materijala.

2. Četkom ili suhom krpom odstranite neželjene materijale sa kućišta ventilatora, prigušivača i iz područja prigušivača. NE čistite motor vodom.
3. Pazite da polužje, opruge i regulatori budu čisti.
4. Pregledajte da na prigušivaču nema pukotina, korozije ili drugih oštećenja.
5. Skinite deflektor ili hvatač iskre, ako je ugrađen i pregledajte da nema oštećenja ili začepljenosti ugljičnim naslagama. Obvezno očistite i montirajte zamjenske dijelove prije rukovanja opremom.
6. Ako postoje, pazite da su rebra hladnjaka ulja čista.

Servisiranje svječice

Razmak elektroda (A, slika 7) provjerite žičanim mjeračem (B). Ako je potrebno, podesite zazor svječice. Montirajte svječiću i pritegnite je odgovarajućim momentom. Informacije o potrebnom zazoru i momentu potražite u odjeljku *Tehnički podaci*.

Zamjena motornog ulja



UPOZORENJE

Gorivo i njegove pare su zapaljivi i eksplozivni. Požar ili eksplozija mogu uzrokovati opekline ili smrt.

Tijekom rada, motor i prigušivač postaju vrući. Ako dodirujete vrući motor, može doći do opekline.

- Ako ulje praznite kroz gornju cijev za dolijevanje ulja, spremnik za gorivo mora biti prazan. Ako nije prazan, može doći do curenja goriva i može uzrokovati požar ili eksploziju.
- Prije nego dodirnete motor ili prigušivač, zaustavite motor i pričekajte dvije (2) minute. Provjerite jesu li motor i prigušivač sigurni za dodirivanje.

Iskorišteno ulje opasan je otpad i mora se odbaciti na pravilan način. Ne bacajte u kućni otpad. Obratite se mjesnim vlastima, servisnom centru ili prodavatelju za sigurno odlaganje ili reciklažu.

Ispuštanje ulja

1. Kad je motor ISKLJUČEN, ali je još uvijek topao, odvojite žicu(e) svječice (D, slika 8) i odložite ih dalje od svječica (E).
2. Izvadite štapić za mjerenje razine ulja (A, slika 9).

Čep za ispuštanje ulja, ako je ugrađen

1. Skinite čep za ispuštanje ulja (F, slika 10). Ulje ispuštite u odgovarajuću posudu.

NAPOMENA: Čepovi za ispuštanje ulja (G, slika 10) može biti postavljen na motoru.

2. Kada ispuštite ulje, postavite i zategnite čep za ispuštanje ulja (F, slika 10).

Brzi ispušt ulja, ako je ugrađen

1. Odvojite crijevo s otvora za brzo ispuštanje ulja (H, slika 11) na bočnoj strani motora.
2. Okrenite i uklonite čep za ispuštanje ulja (I, slika 11). Pažljivo spustite crijevo za brzo ispuštanje ulja (H) u odgovarajuću posudu (J).
3. Kada ispuštite ulje, montirajte čep na otvor za brzo ispuštanje ulja (I, slika 11). Spojite crijevo na otvor za brzo ispuštanje ulja (H) na bočnoj strani motora.

Dolijevanje ulja

- Pazite da motor bude u vodoravnom položaju.
- Iz područja za ulijevanje ulja očistite sve nečistoće.
- Pogledajte odjeljak *Tehnički podaci* za količinu ulja.

1. Izvadite štapić za mjerenje razine ulja (A, slika 3). Ulje sa štapića za mjerenje razine ulja uklonite čistom krpom.
2. Polako ulijevajte ulje u otvor za ulijevanje ulja u motor (C, slika 3). **Ne stavljajte previše ulja u otvor za ulijevanje ulja.** Pričekajte jednu minutu i zatim provjerite razinu ulja.

NAPOMENA: Ne ulijevajte ulje u otvor za brzo ispuštanje ulja, ako postoji.

3. Postavite i stegnite štapić za mjerenje razine ulja (A, slika 3).
4. Izvadite štapić za mjerenje razine ulja i provjerite razinu ulja. Propisana razina ulja nalazi se na gornjem dijelu pokazatelja napunjenosti (B, slika 3) na štapiću za mjerenje razine ulja.
5. Postavite i stegnite štapić za mjerenje razine ulja (A, slika 3).
6. Spojite kabel(e) svječice na svječiću. Pogledajte odjeljak *Ispuštanje ulja*.

Zamjena filtra ulja

1. Ispustite ulje iz motora. Pogledajte odjeljak *Ispuštanje ulja*.

- Uklonite filtar ulja (H, slika 12) i pravilno ga zbrinite.
- Prije montiranja novog uljnog filtra, lagano podmažite brtvu uljnog filtra čistim uljem.
- Ručno montirajte filtar ulja sve dok brtva ne dira adapter filtra ulja, a zatim stegnite filtar ulja s 1/2 do 3/4 okreta.
- Dolijte ulje. Pogledajte odjeljak **Dolijevanje ulja**.
- Pokrenite motor. Kad se motor zagrije, provjerite curi li ulje.
- Zaustavite motor. Pripazite da razina ulja bude do vrha indikatora napunjenosti na štapiću za mjerenje razine ulja. Pogledajte odjeljak **Dolijevanje ulja**.

Servisiranje filtra za zrak



UPOZORENJE

Pare goriva su zapaljive i eksplozivne. Požar ili eksplozija mogu uzrokovati opekline ili smrt.

- Ne pokrećite ili ne rukujte motorom kada je uklonjen sklop pročištača zraka (ako je ugrađen) ili zračni filtar (ako je ugrađen).

OPASKA

Za čišćenje filtra ne upotrebljavajte stlačeni zrak ili otapala. Komprimirani zrak može dovesti do oštećenja filtra, a otapala ga mogu rastvoriti.

Pogledajte **Plan održavanja** radi utvrđivanja potrebnih servisa.

Različiti modeli će upotrebljavati spužvasti ili papirnati filtar. Neki modeli mogu biti opremljeni i predfiltrom koji se može oprati i ponovo koristiti. Usporedite slike u ovom priručniku s tipom koji je montiran na motoru i servisirajte ga prema uputama.

Papirnati filtar zraka (s predfiltrom)

- Otpustite pritezač(e) (A, slika 13).
- Skinite poklopac filtra zraka (B, slika 13).
- Uklonite filtar (C, slika 13) i predfiltr (D), ako je ugrađen.
- Odvajite prljavštinu laganim udarcima filtra o tvrdu površinu. Ako je filtar pretjerano zaprljan, zamijenite ga novim filtrom.
- Očistite predfiltr (D, slika 13), ako je ugrađen, u tekućem deterdžentu i vodi. Pustite da se prečištač osuši na zraku. **NE** podmazujte predfiltr zraka.
- Montirajte suhi predfiltr (D, slika 13), ako je ugrađen i filtar (C) na osnovu filtra zraka (E).
- Montirajte poklopac filtra zraka (B, slika 13) i pričvrstite ga pritezačem(ima) (A). Provjerite je(su) li pritezač(i) dobro zategnut(i).

Sklop zračnog filtra (uložak s predfiltrom)

- Otpustite pritezač(e) (A, slike 14, 15).
- Skinite filtar zraka (B, slike 14, 15).
- Ako želite skinuti filtar zraka (C, slike 14, 15), podignite kraj filtra.
- Odvajite prljavštinu laganim udarcima filtra o tvrdu površinu. Ako je filtar pretjerano zaprljan, zamijenite ga novim filtrom.
- Uklonite predfiltr (D, slike 14, 15) s filtra (C).
- Operite predfiltr (D, slike 14, 15) u tekućem deterdžentu i vodi. Pustite da se prečištač osuši na zraku. **NE** podmazujte predfiltr zraka.
- Montirajte suhi predfiltr (D, slike 14, 15), ako je ugrađen, na filtar.
- Montirajte filtar (C, slika 14, 15) i predfiltr (D), ako je ugrađen, na osnovu filtra zraka (E) i gurajte ga dolje dok ne čujete klik.
- Montirajte poklopac filtra zraka (B, slike 14, 15) i pričvrstite ga pritezačem(ima) (A). Provjerite je(su) li pritezač(i) dobro zategnut(i).

Servisiranje sustava za gorivo



UPOZORENJE

Gorivo i njegove pare su zapaljivi i eksplozivni. Požar ili eksplozija mogu uzrokovati opekline ili smrt.

- Gorivo držite podalje od iskri, otvorenog plamena, plinskog plamena, topline ili drugih izvora zapaljenja.
- Često ispitujte cijevi za gorivo, spremnik za gorivo, čep za ulje, i spojeve na pukotine ili curenje. Zamijenite oštećene dijelove.
- Ako se gorivo prolje, pričekaite dok se ne osuši prije pokretanja motora.

Filtar goriva, ako je ugrađen

- Prije nego zamijenite filtar goriva (A, slika 16), ispuštite gorivo iz spremnika ili zatvorite zaporni ventil goriva. Ako gorivo nije ispušteno iz spremnika, ono može istjecati i izazvati požar ili eksploziju.

- Stisnite jezičke (B, slika 16) na obujmicama (C) kliještim. Uklonite obujmice s filtra goriva (A).
- Svinite i odvojite vodove za gorivo (D, slika 16) s filtra za gorivo.
- Ispitajte ima li na crijevima za gorivo (D, slika 16) pukotina ili propuštanja. Po potrebi zamijenite vodove za gorivo.
- Zamijenite filtar za gorivo (A, slika 16).
- Stezaljka (C) pričvrstite crijeva za gorivo (D, slika 16).

Skladištenje Sustav dovoda goriva

Pogledajte sliku: 17.



UPOZORENJE

Gorivo i njegove pare su zapaljivi i eksplozivni. Požar ili eksplozija mogu uzrokovati opekline ili smrt.

Skladištenje goriva

- Budući da žišci ili drugi izvori paljenja mogu izazvati eksploziju, gorivo ili opremu držite dalje od peći, štednjaka, grijača vode (bojlera) i drugih uređaja koji imaju žiške.

Motor držite u vodoravnom položaju (normalni radni položaj). Spremnik za gorivo (A, slika 17) napunite gorivom. Zbog ekspanzije goriva, ne puniti spremnik iznad donjeg dijela dna grla spremnika za gorivo (B).

Gorivo može postati ustajalo ako se čuva u spremniku duže od 30 dana. Preporučuje se uporaba stabilizatora goriva bez alkohola i etanola u spremniku za gorivo radi održavanja svježine goriva.

Kad puniti spremnik gorivom, dodajte stabilizator goriva bez alkohola kako je navedeno u uputama proizvođača. Ako benzin u motoru nije tretiran stabilizatorom goriva, mora se ispuštiti u odobrenu posudu. Rukujte motorom dok ne ponestane goriva.

Motorno ulje

Promijenite motorno ulje dok je motor još topao. Pogledajte dio **Provjera i dolijevanje motornog ulja**.

Rješavanje problema

Pomoć

Za pomoć se obratite lokalnom zastupniku ili idite na **BRIGGSandSTRATTON.COM** ili nazovite **1-800-444-7774** (u SAD-u).

Tehnički podaci i servisni dijelovi

Tehnički podaci	Model: 400000	Model: 440000
Radni volumen	40.03 ci (656 cm ³)	44.18 ci (724 cm ³)
Provrta	2.970 in (75,43 mm)	3.120 in (79,24 mm)
Hod klipa	2.890 in (73,41 mm)	2.890 in (73,41 mm)
Kapacitet spremnika ulja	62 - 64 oz (1,8 - 1,9 L)	62 - 64 oz (1,8 - 1,9 L)
Zazor svjeće	.030 in (,76 mm)	.030 in (,76 mm)
Zatezni moment svjeće	180 lb-in (180 Nm)	180 lb-in (20 Nm)
Zazor rotora	.008 - .012 in (,20 - ,30 mm)	.008 - .012 in (,20 - ,30 mm)
Zazor usisnog ventila	.004 - .006 in (,10 - ,15 mm)	.004 - .006 in (,10 - ,15 mm)
Zazor ispušnog ventila	.004 - .006 in (,10 - ,15 mm)	.004 - .006 in (,10 - ,15 mm)

Tehnički podaci	Model: 490000
Radni volumen	49.42 ci (810 cm ³)
Provrta	3.300 in (83,81 mm)
Hod klipa	2.890 in (73,41 mm)
Kapacitet spremnika ulja	66 - 68 oz (1,9 - 2,0 L)
Zazor svjeće	.030 in (,76 mm)
Zatezni moment svjeće	180 lb-in (180 Nm)
Zazor rotora	.008 - .012 in (,20 - ,30 mm)
Zazor usisnog ventila	.004 - .006 in (,10 - ,15 mm)
Zazor ispušnog ventila	.004 - .006 in (,10 - ,15 mm)

Servisni dijelovi

Za kupnju Briggs & Stratton servisnih dijelova, pronađite ovlaštenog servisera na adresi BRIGGSandSTRATTON.COM. Bit će vam potreban identifikacijski broj (model - vrsta - podešavanje). Pogledajte odjeljak **Funkcije i upravljanje** za upute o pronalazi identifikacijskog broja.

Vrijednosti snage

Vrijednost bruto snage za pojedinačne modele benzinskih motora označena je u skladu s kodeksom J1940 Postupak određivanja snage i zakretnog momenta za male motore društva SAE (Society of Automotive Engineers) i određuje se u skladu s kodeksom SAE J1995. Vrijednosti okretnog momenta dobivene su pri 2600 o/min za one motore gdje su vrijednosti za „o/min“ istaknute na naljepnici, a pri 3060 o/min za ostale; vrijednosti snage motora dobivene su pri 3600 o/min. Krivulje bruto snage mogu se vidjeti na www.BRIGGSandSTRATTON.COM. Neto vrijednosti snage dobivene su uz postavljenu ispušnu cijev i filter zraka dok su bruto vrijednosti snage dobivene bez ovih priključaka. Stvarna bruto snaga motora bit će viša od neto snage i na nju, između ostalog, utječu radni uvjeti u okolini i razlike između motora. S obzirom na široki asortiman proizvoda u koje su ugrađeni naši motori, benzinski motor možda neće moći razviti nazivnu bruto snagu prilikom korištenja na određenom radnom stroju. Ova razlika nastaje zbog različitih čimbenika koji - bez ograničenja - uključuju različite dijelove motora (filter zraka, ispušna cijev, punjenje, hlađenje, rasplinjač, pumpa za gorivo, itd.), ograničenja u primjeni, uvjeti u radnom okruženju (temperatura, vlažnost zraka, nadmorska visina) i razlike između motora. Zbog ograničenja u proizvodnji i kapacitetima, tvrtka Briggs & Stratton može izvršiti zamjenu nekog motora više nominalne snage ovim motorom.

Jamstvo

Jamstvo za motor Briggs & Stratton®

Stupa na snagu u kolovozu 2022.

Ograničeno jamstvo

Tvrtka Briggs & Stratton jamči da će, u dolje navedenom jamstvenom razdoblju, besplatno popraviti ili zamijeniti bilo koji manjkavi dio uslijed nedostataka u materijalu i/ili izradi, novim, obnovljenim ili ponovno proizvedenim dijelom prema vlastitom nahođenju. Troškove prijevoza proizvoda poslanog na popravak ili zamjenu u smislu ovog jamstva mora snositi kupac. Ovo jamstvo vrijedi unutar dolje navedenog vremenskog razdoblja i pod dolje navedenim uvjetima. Za servis obuhvaćen jamstvom potražite najbliži ovlašten servis pomoću karte lokatora servisa na adresi BRIGGSandSTRATTON.COM. Kupac se mora obratiti ovlaštenom servisu te dostaviti proizvod radi pregleda i provjere.

Ne postoje druga izričita jamstva. Implicirana jamstva, uključujući utrvost i prikladnost za određenu svrhu ograničena su na jednu godinu od kupnje ili u obimu dopuštenom zakonom. Isključena su sva ostala implicirana jamstva. Odgovornost za slučajnu ili posljedičnu štetu je isključena u opsegu dozvoljenom zakonom. U nekim državama ili zemljama nije dozvoljeno ograničenje impliciranog jamstva, a neke države ili zemlje ne dozvoljavaju ograničenje ili izuzeće slučajnih ili posljedičnih šteta stoga se gornja ograničenja ili izuzeća možda neće odnositi na vas. Ovo jamstvo pruža vam određena zakonska prava, a ostala prava, koja možda imate, razlikuju se od države do države.

Uvjeti standardnog jamstva^{1, 2}

Vanguard®; komercijalna serija

Privatna uporaba - 36 mjeseci

Komercijalna uporaba - 36 mjeseci

Serija XR

Privatna uporaba - 24 mjeseca

Komercijalna uporaba - 24 mjeseca

Svi drugi motori Briggs & Stratton koje karakterizira Dura-Boret košuljica od lijevanog željeza

Privatna uporaba - 24 mjeseca

Komercijalna uporaba - 12 mjeseci

Svi ostali motori

Privatna uporaba - 24 mjeseca

Komercijalna uporaba - 3 mjeseca

¹ Ovo su naši standardni uvjeti jamstva, no ponekad može postojati obuhvaćenost jamstvom koja nije bila definirana u vrijeme objave ovog materijala. Popis trenutnih jamstvenih uvjeta potražite na adresi BRIGGSandSTRATTON.com ili kontaktirajte ovlaštenog servisera tvrtke Briggs & Stratton.

² Jamstvo ne vrijedi za motore na opremi koja se koristi kao primarni izvor napajanja umjesto mrežnog napajanja, za pričuvne generatore koji se upotrebljavaju za komercijalne svrhe, komercijalna vozila čija brzina prelazi 25 MPH (milja/h), kao ni za motore koji se koriste za natjecanja, u komercijalne svrhe ili za iznajmljivanje.

* U Australiji – naši su proizvodi obuhvaćeni jamstvima koja ne mogu biti izuzeta iz australskog zakona o potrošačima. Imate pravo na zamjenu ili povrat novca u slučaju velikog kvara te na odštetu u slučaju bilo kakvog razumno predviđivog gubitka ili oštećenja. Također, imate pravo na popravak proizvoda ili zamjenu proizvoda ako njegova kvaliteta nije na prihvatljivoj razini i ako kvar nije velik. Usluge popravka obuhvaćene jamstvom ostvarit ćete u najbližem ovlaštenom serviseru kojega možete pronaći na mapi lokatora servisa na stranici BRIGGSandSTRATTON.COM, pozivom na broj 1300 274 447 ili slanjem poruke e-pošte na adresu salesenquiries@briggsandstratton.com.au, Briggs & Stratton Australia Pty Ltd, 1 Moorebank Avenue, Moorebank, NSW, Australia, 2170.

Jamstveno razdoblje počinje danom kupnje prvog korisnika ili komercijalnog krajnjeg korisnika i traje do isteka razdoblja naznačenog u gornjoj tablici. Korišten u ovoj polici, izraz „privatna uporaba“ označava uporabu od strane prvog vlasnika u vlastitom kućanstvu. „Komercijalna uporaba“ označava sve ostale uporabe, uključujući uporabu u komercijalne svrhe radi ostvarivanja zarade ili iznajmljivanja. Kada se motor jednom upotrijebi u komercijalne svrhe, za potrebe ovog jamstva smatra se motorom u komercijalnoj uporabi.

Nije potrebna nikakva registracija jamstva kako biste ostvarili jamstvo za proizvode tvrtke Briggs & Stratton. Sačuvajte račun kao dokaz kupnje. Ako prilikom traženja usluge popravka u jamstvenom razdoblju ne predložite dokaz o datumu prve kupnje, jamstveno razdoblje utvrdit će se sukladno datumu proizvodnje.

Više o vašem jamstvu

Ovo ograničeno jamstvo obuhvaća samo greške u materijalu i/ili izradi motora, a ne zamjenu ili naknadu opreme na koju je motor postavljen. Redovito održavanje, podešavanje, prilagodbe i normalno habanje nisu pokriveni ovim jamstvom. Također, jamstvo ne vrijedi ako je motor izmijenjen ili modificiran ili ako je serijski broj nečitak ili uklonjen. Ovim jamstvom nisu obuhvaćena oštećenja motora ili problemi u radu koje su izazvali:

1. uporaba dijelova koji nisu Briggs & Stratton
2. rad motora s nedovoljnom količinom ulja ili s onečišćenim uljem ili s uljem za podmazivanje nedovoljne gradacije;
3. Uporaba onečišćenog ili ustajalog goriva, mješavine benzina s više od 10% etanola ili upotreba alternativnih goriva kao što je ukapljeni naftni ili prirodni plin u motorima koji izvorno nisu projektirani/izrađeni za rad s takvim gorivima u Briggs & Stratton;
4. Nečistoća koja je prodrla u motor zbog nepropisnog održavanja ili ponovne montaže;
5. udarac oštrice noža kosilice u neki tvrdi predmet na travnjaku koji se kosi, olabavljeni ili nepravilno postavljeni adapteri noža, rotora ili drugih elemenata spojenih na radilicu ili prezategnutos klinastih remena;
6. Povezani dijelovi ili sklopovi poput spojki, prijenosa, upravljačkih dijelova uređaja itd., koje nije isporučila Briggs & Stratton;
7. pregrijavanje zbog nakupine pokošene trave, prljavštine i otpada, gnijezda glodavaca što može izazvati začepljenje rashladnih lamela ili područja zamašnjaka ili rad motora bez dovoljne ventilacije;
8. jaka vibracija zbog prekoračenja brzine, olabavljenih nosača motora, olabavljenih ili nebalansiranih noževa ili rotora ili nepropisnog načina povezivanja dijelova oprema na vratilo motora;
9. neprimjerena uporaba, pomanjkanje redovitog održavanja, otprema, rukovanje ili skladištenje opreme ili nepropisna montaža motora.

Popravak obuhvaćen jamstvom dostupan je samo u ovlaštenim servisima Briggs & Stratton. Pronađite najbližeg ovlaštenog servisera na mapi ovlaštenih servisera na BRIGGSandSTRATTON.COM ili nazovite 1-800-444-7774 (u SAD-u).

80114782 (izmjena A)

Általános információk



Ez az útmutató biztonsági tudnivalókat tartalmaz a motorhoz kapcsolódó veszélyekre és kockázatokra, illetve ezek elkerülési módjára vonatkozóan. A motor helyes karbantartására és használatára vonatkozó utasításokat is tartalmaz. Fontos, hogy elolvassa, megértse és betartsa ezeket az utasításokat. **Őrizze meg ezt a kézikönyvet későbbi tájékozódás céljából.**

MEGJEGYZÉS: Az útmutatóban található számok és ábrák csak tájékoztató jellegűek, és eltérhetnek az Ön tulajdonában lévő modelltől. Azokat az ábrákat használja, amelyek összhangban vannak a motor konfigurációjával. Ha szükséges, forduljon egy hivatalos szervizképviselőhöz.

Jegyezze fel a vásárlás dátumát, a motor modelljét, típusát, burkolatát és a motor sorozatszámát a pótalkatrészekhez. Ezek a számok a motoron találhatóak. Lásd a **Funkciók és kezelőszervek** szakaszt.

Vásárlás dátuma:	
Motor modell/típus/trim	
Motor sorozatszám	

Az európai iroda elérhetőségei

Ha az európai kibocsátásokkal kapcsolatos kérdései vannak, a következő címre írjon európai irodánknak:

Max-Born-Straße 2, 68519 Viernheim, Németország.

Európai Unió (EU) V. (5) fázis: Szén-dioxid (CO2) értékek

Írjon be CO2-t a keresési ablakba a BriggsandStratton.com webhelyen a Briggs & Stratton EU típusjóváhagyás szerinti tanúsítványával rendelkező motorok szén-dioxidkibocsátási értékeinek megtalálásához.

A kezelő biztonsága

Biztonsági figyelmeztető jel és figyelmeztető szavak



A **!** biztonsági riasztási szimbólum az esetleges személyi sérüléssel járó veszélyekre vonatkozó biztonsági tudnivalók jelzésére szolgál. A figyelmeztető szó (**VESZÉLY, FIGYELMEZTETÉS** vagy **VIGYÁZAT**) használatos annak jelzésére, hogy mekkora a lehetséges sérülés valószínűsége és súlyossága. Ezenkívül veszélyjelző szimbólumot is alkalmazunk a veszély típusának bemutatására.

VESZÉLY olyan veszélyre utal, mely, ha nem sikerül elkerülni, **akkor halált, vagy súlyos sérülést okoz.**

FIGYELMEZTETÉS olyan veszélyre utal, mely, ha nem sikerül elkerülni, **akkor halált, vagy komoly sérülést okozhat.**

VIGYÁZAT olyan veszélyre utal, amely, ha nem sikerül elkerülni, **kisebbségi vagy közepes sérülést okozhat.**

MEGJEGYZÉS Fontosnak minősülő, de nem veszéllyel kapcsolatos információra utal.

Figyelmeztető jelek és jelentésük

	Biztonsági információk a személyesérülést okozni képes veszélyekkel kapcsolatban.		A készülék üzemeltetése vagy szervizelése előtt olvassa el és értse meg a használati útmutatót.
	Tűzveszély		Robbanásveszély
	Áramütés veszélye		Mérgező gázok veszélye
	Forró felület okozta veszély		Visszarúgás veszélye

	Amputáció veszélye – mozgó alkatrészek		Üzemanyagszint – maximális Ne töltse túl
--	--	--	---

Biztonsági üzenetek



FIGYELMEZTETÉS

A Briggs & Stratton motorjait nem a következő járművekhez tervezték és így nem is használhatók azok hajtására: szórakoztató kartok; gokartok; gyermek-, szabadidős vagy sportterepjárók (ATV-k); motorkerékpárok; légpárnás járművek; repülő járművek; vagy a Briggs & Stratton által nem szankcionált, versenyeken használt járművek. A versenytermékekre vonatkozó további tudnivalóért keresse fel a www.briggsracing.com webhelyet. Hasznójárművekben és side-by-side terepjárókban történő használat esetén forduljon a Briggs & Stratton motoralkalmazási központjához a következő telefonszámon: 1-866-927-3349. A motor helytelen használata súlyos sérüléseket vagy halálos balesetet okozhat.

Újrahasznosítási információk

		Minden karton, doboz, használt olaj és akkumulátor újrahasznosítható, a kormányzati rendelkezéseknek megfelelően.
--	--	---

Funkciók és kezelőszervek

A motor kezelőszervei

Hasonlítsa össze az 1. és 2. ábrán látható feliratok betűit a motor kezelőszerveivel a következő lista szerint:

- Motor azonosítószámok **Modell – Típus – Kódszám**
- Gyújtógyertya
- Levegőszűrő
- történő olajellenőrzés
- Olajleeresztő dugó
- Fűvóház fedele
- Olajszűrő
- Elektromos önindító
- Karburátor
- Üzemanyagszűrő (ha be van szerelve)
- Üzemanyagszivattyú (ha be van szerelve)
- Gyors olajleeresztő (ha be van szerelve)
- Gyors olajleeresztő (ha be van szerelve)
- Elektronikus vezérlőegység (ha be van szerelve)

Motorvezérlési szimbólumok és jelentésük

	Motorfordulatszám – GYORS		Motorfordulatszám – LASSÚ
	Motorfordulatszám – LEÁLLÍTÁS		BE - KI
	Motorindítás Szívató ZÁRVA		Motorindítás Szívató NYITVA
	Üzemanyagtartály-sapka Üzemanyag-elzáró csap NYITVA		Üzemanyag-elzáró csap ZÁRVA

Üzemeltetés



FIGYELMEZTETÉS

Az üzemanyagok gőzei gyúlékonyak és robbanásveszélyesek. A tűz vagy robbanás égési sérüléseket vagy halálos balesetet okozhat.

Ha gázszagot érez

- Ne indítsa be a motort.
- Ne kapcsolja be az elektromos kapcsolókat.
- Ne használjon telefont a közelben.
- Ūrítse ki a területet.
- Forduljon a tűzoltósághoz.

A berendezés működtetésekor

- Ne döntse meg a motort vagy a berendezést akkora szögben, hogy az üzemanyag kilöttyenjen.

Amikor áthelyezi a berendezést

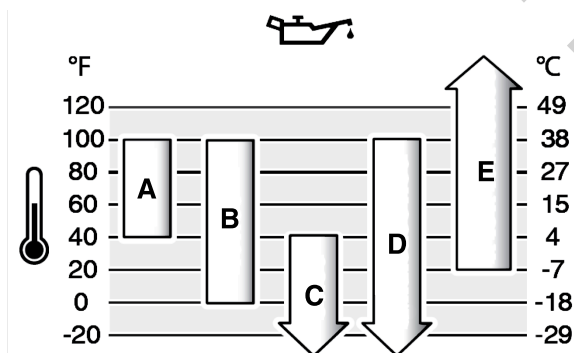
- Gondoskodjon róla, hogy az üzemanyagtartály ÜRES, illetve hogy az üzemanyag-elzáró szelep (ha be van szerelve) ZÁRVA legyen.

Az olajra vonatkozó javaslatok

Olajkapacitás: Lásd a *Műszaki jellemzők* szakaszt.

A minél jobb teljesítmény érdekében használjon Briggs & Stratton® szavatossággal jóváhagyott olajokat. Más jó minőségű, detergenstartalmú olajok akkor használhatók, ha teljesítményszint-besorolásuk SF, SG, SH, SJ vagy magasabb. Ne használjon speciális adalékokat.

A diagram segítségével válassza ki a legjobb viszkozitást, ami a várható kültéri hőmérséklet-tartománynak megfelel. A legtöbb kültéri berendezés motorja 5W-30-as szintetikus olajjal üzemel megfelelően. A meleg hőmérsékleten üzemeltetett berendezésekhez a legjobb védelmet a Vanguard® 15W-50-es szintetikus olaj biztosítja.



A	SAE 30 – 40 °F (4 °C) alatt az SAE 30 használata nehéz indítást eredményez.
B	10W-30 – 80 °F (27 °C) felett a 10W-30 használata megnövekedett olajfogyasztást eredményezhet. Ellenőrizze az olajsintet gyakran.
C	5W-30-as
D	Szintetikus 5W-30-as
E	Vanguard® Szintetikus 15W-50

Ellenőrizze az olajsintet

Mielőtt ellenőrizné vagy betöltené az olajat,

- Ellenőrizze, hogy szintben van-e a motor.
- Tisztítsa meg az olajbetöltő nyílás környékét a szennyeződéstől.
- Lásd a *Műszaki jellemzők* fejezetet az olajkapacitással kapcsolatban.

MEGJEGYZÉS

A Briggs & Stratton vállalat a motort motorolaj nélkül szállítja. Előfordulhat, hogy a berendezés gyártói vagy a márkakereskedők motorolajat töltek a motorba. A motor első indítása előtt ellenőrizze, hogy az olajsintet megfelelő-e. Töltsön bele olajat a kézikönyv utasításai szerint. Ha olaj nélkül indítja a motort, akkor a motor javíthatatlan károsodást szenved, és nem esik a garancia hatálya alá.

1. Húzza ki az olajsintjelző pálcát (A, 3 ábra), majd tisztítsa meg egy tiszta ruhával.
2. Dugja vissza és húzza meg az olajsintjelző pálcát (A, 3 ábra).
3. Vegye ki az olajsintjelző pálcát, és ellenőrizze az olajsintet. Győződjön meg róla, hogy az olajsint a tele jelzés tetéjéig ér (B, 3 ábra) az olajsintjelző pálcán.
4. Ha alacsony az olajsint, akkor lassan töltsön motorolajat a töltőnyílásba (C, 3 ábra). Ne öntsön be túlságosan sok olajat.

5. Várjon egy percre, majd ismét ellenőrizze az olajsintet. Ellenőrizze, hogy az olajsint megfelelő-e.
6. Dugja vissza és húzza meg az olajsintjelző pálcát (A, 3 ábra).

Alacsony olajsint elleni védelem (ha be van szerelve)

Bizonyos motorokon alacsonyolajsint-érzékelő található. Ha az olajsint alacsony, az érzékelő figyelmeztető jelzőfényt aktivál, vagy leállítja a motort. Állítsa le a motort, és hajtsa végre a következő lépéseket a motor indítása előtt.

- Ellenőrizze, hogy szintben van-e a motor.
- Ellenőrizze az olajsintet. Lásd az *Olajsint ellenőrzése* c. fejezetet.
- Ha az olajsint alacsony, töltsön be megfelelő mennyiségű olajat. Indítsa be a motort, és ellenőrizze, hogy a figyelmeztető jelzőfény (ha van ilyen) kigyullad-e.
- Ha az olajsintet nem alacsony, ne indítsa be a motort. Az olajnyomás probléma javíttatásához forduljon a Briggs & Stratton valamelyik hivatalos szervizképviselőjéhez.

Javasolt üzemanyagok

Az üzemanyagra vonatkozó követelmények:

- Tiszta, friss, ólommentes benzín.
- Legalább 87-es oktánszám/87 AKI (91 RON). Nagy magasságban való működtetés, lásd alább.
- Legfeljebb 10% etanolt (benzín-alkohol keveréket) tartalmazó benzín használható.

MEGJEGYZÉS

Ne használjon nem jóváhagyott benzint, például E15-öt vagy E85-öt. Ne keverjen olajat a benzínbe, illetve ne módosítsa a motort, hogy más üzemanyagokkal is működhessen. A nem jóváhagyott üzemanyagok használata károsíthatja a motor alkatrészeit, amelyek nem javíthatók a garancia értelmében.

Keverjen alkoholmentes üzemanyagstabilizáló adalékot és etanolos kezelőt az üzemanyagba, hogy megóvja az üzemanyagrendszert a gumilerakódástól és a korróziótól. Lásd a *Tárolás* c. fejezetet. Az üzemanyagok nem egyformák. Ha gondolja adódnak az indítással vagy a teljesítménnyel kapcsolatban, váltson üzemanyag-beszállítót vagy üzemanyagmárkát. A motort benzines üzemeltetésre hitelesítették. A karburátoros motor károsanyag-kibocsátást szabályozó rendszere az EM (motormódosítások). Az elektronikus üzemanyag-befecskendezéses motorok károsanyag-kibocsátást szabályozó rendszerei az ECM (motorvezérlő-egység), az MFI (többfűvőkás üzemanyag-befecskendezés), a TBI (gázadagoló üzemanyag-befecskendezés) és ha fel van szerelve, egy O2S (oxigénérzékelő).

Nagy magasságban

Az 1524 métert meghaladó magasságokban használt benzín oktánszáma legalább 85 oktán/85 AKI (89 RON) legyen.

Porlasztós motoroknál nagy magassághoz megfelelő beállítás szükséges a teljesítmény fenntartásához. Az e beállítás nélküli üzemeltetés csökkenő teljesítményt, növekvő üzemanyag-fogyasztást és megnövekedett károsanyag-kibocsátást eredményez. Forduljon egy Briggs & Stratton hivatalos szakkereskedéshez a magas tengerszint feletti magasságban történő használathoz szükséges szabályozással kapcsolatban. Nem javasolt a motor üzemeltetése 2500 láb (762 méter) magasság alatt, a nagy magasságú használathoz beállítva.

Az elektronikus üzemanyag-befecskendezéses (EFI) motoroknál szükségtelen a magas tengerszint feletti magasság számára megfelelő beállítás elvégzése.

Az üzemanyag betöltése



FIGYELMEZTETÉS

Az üzemanyag és gőzei gyúlékonyak és robbanásveszélyesek. A tűz vagy robbanás égési sérüléseket vagy halálos balesetet okozhat.

Ha üzemanyagot tölt be

- Állítsa le a motort. A tanksapka eltávolítása előtt várjon legalább két (2) percre, mert így biztosítható, hogy a motor lehűl.
 - Az üzemanyagtartályt a szabadban vagy olyan helyen tölts fel, ahol jó a légáramlás.
 - Ne töltsön túl sok üzemanyagot a tartályba. Az üzemanyag tágulásának lehetővé tétele érdekében ne töltsön üzemanyagot a tartálynyak alja fölé.
 - Az üzemanyagot tartsa távol szikrától, nyílt lángtól, gyújtólángtól, hőtől és más gyújtóforrásoktól.
 - Gyakran ellenőrizze az üzemanyag-vezetékeket, az üzemanyagtartályt, a tanksapkát és a csatlakozásokat repedések vagy szivárgások szempontjából. Cserélje ki a hibás alkatrészeket!
 - Ha az üzemanyag kiömlik, várja meg, amíg felszárad, mielőtt beindítaná a motort.
1. Tisztítsa meg az üzemanyagtartály-sapka környékét a kosztól és a szennyeződésektől. Vegye le a tanksapkát.

- Töltse fel az üzemanyagtartályt (A, 4 ábra) üzemanyaggal. Mivel az üzemanyag tágul, ne töltsön az üzemanyag-tartály nyakának alja (B) fölé.
- Tegye fel a tanksapkát.

A motor indítása



FIGYELMEZTETÉS

MÉRGEZŐ GÁZ VESZÉLYE. A motor kipufogógáza szén-monoxidot tartalmaz, amely mérgező gáz, és percek alatt halálos mérgezést okozhat. Még ha nem is érzi a kipufogógázt, akkor is ki lehet téve a veszélyes szén-monoxid gáz hatásának. Amennyiben a termék használata közben szédülést, rosszulletet vagy gyengeséget tapasztal, **AZONNAL** menjen a friss levegőre. Forduljon orvoshoz. Előfordulhat, hogy szén-monoxid-mérgezése van.

- Az emberi tartózkodásra szolgáló terekben szén-monoxid gáz halmozódhat fel. A terméket KIZÁRÓLAG a szabadban, ablaktól, ajtóktól és szellőzőnyílásoktól távol alkalmazza, hogy csökkenthesse a szénmonoxid gáz felgyülemelésének veszélyét.
- Telepítsen elemmel működő szén-monoxid-érzékelőket vagy bedugható szén-monoxid-riasztókat tartalékelemmel a gyártó utasításai szerint. A füstjelzők nem érzékelik a szén-monoxid gázt.
- NE üzemeltesse a terméket lakóépületekben, garázsokban, pincékben, kúszóterekben, fészerekben vagy más, részben zárt helyiségekben, még akkor sem, ha ventilátorokat vagy nyitott ajtókat és ablakokat használ a szellőztetéshez. A termék üzemeltetése után a szén-monoxid gyorsan felhalmozódhat ezeken a helyeken, és órákon át ott is maradhat.
- MINDIG a hátszél irányába, illetve úgy fordítsa a terméket, hogy ne áramoljon emberi tartózkodásra szolgáló hely felé a a motor kipufogógáza.



FIGYELMEZTETÉS

Az üzemanyag és gőzei gyúlékonyak és robbanásveszélyesek. A tűz vagy robbanás égési sérüléseket vagy halálos balesetet okozhat.

A motor indításakor

- Győződjön meg arról, hogy a gyújtógyertya, a kipufogódob, a tanksapka és a légtisztító (ha vannak ilyenek), megfelelően vannak beszerelve.
- Ne indítsa be a motort, ha a gyújtógyertya nincs a helyén.
- Ha a motor el van árasztva, állítsa a szívatót (ha van ilyen) NYITVA vagy JÁRATÁS állásba. Fordítsa a gázkart (ha van ilyen) a GYORS állásba, és indítózson, amíg a motor be nem indul.
- Ha a környezetben természetes vagy cseppfolyósított petróleumalapú gázzivárgás van, ne indítsa be a motort.
- Ne használjon nyomás alatt lévő indítófolyadékokat, mert a gőzök gyúlékonyak.



FIGYELMEZTETÉS

A forgó alkatrészek érintkezésbe kerülhetnek vagy beakadhatnak a kezébe, lábába, hajába, ruhájába vagy a kiegészítőbe. Baleseti csonkolás vagy súlyos zúzódás lehet ennek a következménye.

- A berendezést úgy működtesse, hogy a védőberendezések megfelelően legyenek felszerelve.
- Kezét és lábát tartsa távol a forgó alkatrészekről.
- Vegye le az ékszereit, és ügyeljen arra, hogy amennyiben hosszú a haja, az legyen távol minden forgó résztől.
- Ne viseljen laza ruhát vagy olyan tárgyakat, amelyek beakadhatnak.

- Ellenőrizze a motor olajsztintjét. Lásd az **Olajsztint ellenőrzése** c. szakaszt.
- Ellenőrizze a berendezés hajtásszabályozóit – ha be vannak szerelve –, hogy szét vannak-e kapcsolva.
- Állítsa az üzemanyag-elzáró csapot (A, ábra 5), ha be van szerelve, a NYITVA állásba
- Állítsa a gázadagolót (B, 5. ábra), ha be van szerelve, a GYORS állásba.
- Szívatókkal rendelkező modellek esetén** (C, 5. ábra) a szívatókart állítsa a ZÁRVA állásba. **Kombinált szívató/gázadagoló karral** (G, 5. ábra) rendelkező modellek esetén a kart (ha be van szerelve) állítsa a SZÍVATÓ állásba. **ReadyStart®** funkcióval rendelkező modellek esetén folytassa a következő lépéssel.

MEGJEGYZÉS: Meleg motor indításához általában nincs szükség szívatóra.

- Fordítsa az indítókulcsot (ha be van szerelve) (D, 5. ábra) a BE / INDÍTÁS állásba, illetve nyomja meg a gombot (E).
- Amint a motor felmelegedett, állítsa a szívatókart (C, ábra 5), ha be van szerelve, a NYITVA állásba.

Állítsa le a motort



FIGYELMEZTETÉS

Az üzemanyag és gőzei gyúlékonyak és robbanásveszélyesek. A tűz vagy robbanás égési sérüléseket vagy halálos balesetet okozhat.

- (Ha van ilyen) ne szívassa túl a karburátort a motor leállításához.
- A gázadagoló kar LASSÚ állásában fordítsa az indítókulcsot (ha be van szerelve) (D, 6. ábra) a KI állásba.
 - Vegye ki a kulcsot, és tartsa biztonságos helyen.
 - Miután leállt a motor, az üzemanyag-elzáró csapot (A, 6 ábra), ha van ilyen, fordítsa ZÁRVA állásba.

Karbantartás

Karbantartási információk



FIGYELMEZTETÉS

Az üzemanyag és gőzei gyúlékonyak és robbanásveszélyesek. A tűz vagy robbanás égési sérüléseket vagy halálos balesetet okozhat.

Ha a karbantartás során meg kell dönteni az egységet, akkor gondoskodjon róla hogy az üzemanyagtartály - ha a motorra van rászelve - üres legyen, és hogy a gyújtógyertyás oldal felfelé legyen. Ha az üzemanyagtartály nem üres, üzemanyag-szivárgás léphet fel, ami tüzet vagy robbanást okozhat. Ha a motort más irányba billenti, akkor az nem indul be könnyen a levegőszűrő vagy a gyújtógyertya olaj vagy üzemanyag okozta szennyeződése miatt.



FIGYELMEZTETÉS

A motorból véletlenül kipattanó szikra áramütést, tüzet vagy robbanást okozhat, és belegabalyodást, sérüléssel amputációt vagy zúzódást eredményezhet.

Mielőtt beállítást vagy javítást végezne:

- Válassza le az összes gyújtógyertya vezetőket és tartsa a gyújtógyertya vezetőket távol a gyújtógyertyáktól.
- Válassza le az akkumulátorvezetőket az akkumulátor negatív pólusáról (csak az elektromos indítású motorok esetében).
- Kizárólag megfelelő szerszámokat használjon.

Ha a szikrát ellenőriz:

- Engedélyezett gyújtógyertyatesztet alkalmazzon.
- Ne ellenőrizze a szikrát, ha a gyújtógyertya ki van csavarva.



FIGYELMEZTETÉS

A pótalkatrészek legyenek ugyanolyan kivitelűek, mint az eredeti alkatrészek, valamint az eredeti alkatrészekkel megegyező helyzetben kell felszerelni azokat. Más alkatrészek pedig károsodást vagy sérülést okozhatnak.

MEGJEGYZÉS

Minden alkatrésznek, melyet ebbe a motorba építettek, a helyén kell maradnia a megfelelő működés érdekében.

A motor és motoralkatrészek minden karbantartását és szervizelését a Briggs & Stratton hivatalos szervizképviselőjénél végeztesse.

A károsanyag-kibocsátás szabályozás szervizelése

A károsanyag-kibocsátást szabályozó eszközök és rendszerek karbantartását, cseréjét vagy javítását elvégezheti bármely, a nem közutakon használt motorok javításával foglalkozó vállalat vagy szerviztechnikus. Azonban a károsanyag-kibocsátás szabályozásának „ingyenes” javításához a munkát a gyár hivatalos szakszervizével kell elvégeztetni. Lásd a károsanyag-kibocsátási nyilatkozatokat.

A karbantartás ütemezése

Az első 5 üzemóra
<ul style="list-style-type: none"> Cserélje ki a motorolajat¹.
8 óránként vagy naponta
<ul style="list-style-type: none"> Ellenőrizze a motorolajsztintet. Tisztítsa meg a kipufogódob és a kezelőszervek körüli területet. Tisztítsa meg a légbeszívó nyílás rácsát.
25 óránként vagy évente

<ul style="list-style-type: none"> • Tisztítsa meg a levegőszűrőt². • Tisztítsa meg az előszűrőt².
50 óránként vagy évente
<ul style="list-style-type: none"> • Cserélje le a motorolajat³. • Cserélje ki az olajszűrőt (ha be van szerelve)³. • Végezze el a kipufogórendszer szervizelését.
100 óránként vagy évente
<ul style="list-style-type: none"> • Cserélje le a motorolajat⁴. • Cserélje ki az olajszűrőt (ha be van szerelve)⁴.
évente
<ul style="list-style-type: none"> • Cserélje ki a gyújtógyertyát. • Cserélje ki a levegőszűrőt. • Cserélje ki az előtisztítót. • Cserélje ki az üzemanyagszűrőt. • A hűtőrendszer karbantartása¹. • Ellenőrizze a szelephézagot.⁵

¹ Csak olajszűrő nélküli motorok esetén.

² Poros körülmények között, vagy ha sok részecske van a levegőben, gyakrabban tisztítsa.

³ Olajszűrő nélküli vagy normál fekete olajszűrővel ellátott motorok. Az alkatrészszámot lásd a *Műszaki adatok* című részben.

⁴ Nagy hatékonyságú, sárga vagy narancssárga olajszűrővel ellátott motorok esetén az alkatrészszámot lásd a *Műszaki adatok* című részben.

⁵ Nem szükséges, kivéve, ha a motor teljesítményével kapcsolatos problémák merülnek fel.

Elektronikus üzemanyag-ellátó rendszer

Az elektronikus üzemanyag-ellátó rendszer ellenőrzi a motor hőmérsékletét, a motor fordulatszámát és az akkumulátor feszültségét a szivató beállításához a motor beindítása és a bemelegedés során. A rendszerben nincsen beállítási lehetőség. Indítási vagy üzemeltetési problémák esetén forduljon hivatalos Briggs & Stratton hivatalos szervizképviselőhöz.

MEGJEGYZÉS Ügyeljen ezen szabályok betartására, ellenkező esetben az elektronikus üzemanyag-ellátó rendszer károsodhat.

- NE indítsa be a motort, ha az akkumulátorkábel csatlakozásai lazák.
- Mielőtt csatlakoztatná a bikakábel, illetve leválasztaná vagy újból csatlakoztatná az akkumulátorkábeleket, fordítsa a gyújtáskapcsolót KI állásba. Az akkumulátor töltése közben a gyújtáskapcsolónak a KI állásban kell lennie.
- Amikor az akkumulátorkábeleket leválasztja az akkumulátorról, először a negatív (-), majd a pozitív (+) kábelt válassza le az akkumulátorról. Amikor az akkumulátorkábeleket csatlakoztatja az akkumulátorhoz, először a pozitív (+), majd a negatív (-) kábelt csatlakoztassa az akkumulátorhoz.
- NE használjon akkumulátortöltőt a motor beindítására.
- NE válassza le az akkumulátor kábeleit a motor működése közben.
- NE fecskendezzen vizet közvetlenül az elektronikus vezérlőegységre.

Porlasztó és motor fordulatszám

Ne módosítsa a karburátort, a szabályozórugókat a rudazatokat vagy más alkatrészeket a motor fordulatszámának megváltoztatása érdekében. Ha bármilyen beállítás szükséges, szervizelés céljából forduljon egy Briggs & Stratton hivatalos szervizképviselőhöz.

MEGJEGYZÉS

A berendezés gyártója megadja a motor maximális fordulatszámát a berendezésre történő telepítésekor. Ne lépje túl ezt a fordulatszámot. Ha nem biztos a berendezés maximális fordulatszámában, vagy hogy gyárilag milyen fordulatszámra lett a motor beállítva, támogatásért forduljon a Briggs & Stratton valamelyik hivatalos szakszervizéhez. A berendezés biztonságos és megfelelő működése érdekében kizárólag szakképzett szerviztechnikus végezheti a motor fordulatszámának beállítását.

A kipufogórendszer és a hűtőrendszer szervizelése



FIGYELMEZTETÉS

Működés közben a motor és a kipufogódob felmelegszik. Ha megérinti a forró motort, égési sérülések keletkezhetnek.

Az olyan éghető anyagok, mint a levelek, fű és bozót, lángra lobbannhatnak.

- Mielőtt megérinti a motort vagy a kipufogódobot, állítsa le a motort, és várjon két (2) percig. Ügyeljen arra, hogy a motor és a kipufogódob biztonságosan megérinthető legyen.
- Távolítsa el a nyereséket a kipufogódobról és a motorról.

A California Public Resource Code 4442. szakasz megsértésének minősül, ha a motort erdős, bokros vagy füves területen használja vagy üzemelteti, kivéve, ha a kipufogó rendszer megfelelő állapotban lévő szikrafogóval van felszerelve a 4442. szakaszban meghatározottak szerint. Hasonló törvényeket más államok vagy szövetségi fennhatóság alá tartozó területek is előírhatnak; tekintse meg a szövetségi törvénykönyv 36 CFR-jének 261.52-es részét. Lépjen kapcsolatba az eredeti gyártóval, kiskereskedővel vagy viszonteladóval ezen motor kipufogórendszeréhez meghatározott szikrafogó beszerzése érdekében.

Ez egy léghűtéses motor. A szennyeződés vagy a nem kívánt anyag megakadályozhatja a levegő áramlását, és a motor túlmelegedését okozhatja. Ez nem kielégítő teljesítményt eredményez, és csökkenti a motor élettartamát. A henger hűtőbordái összegyűjthetik a nem kívánt anyagokat, amelyeket nem lehet eltávolítani a motor részleges szétszerelése nélkül. Gondoskodjon arról, hogy egy Briggs & Stratton hivatalos szervizképviselő megvizsgálja és megtisztítja a léghűtéses rendszert. Lásd a **Karbantartás ütemezése** c. szakaszt.

1. Győződjön meg róla, hogy nem maradt éghető anyagok a kipufogódob körül és mögött.
2. Kéfével vagy száraz kendővel távolítsa el minden nem kívánt anyagot a fűvóház fedeléről, a kipufogódobról és a henger területéről. NE használjon vizet a motor tisztításához.
3. Győződjön meg róla, hogy rudazat, a rugók és a kezelőszervek tiszták.
4. Ellenőrizze a kipufogódobot, hogy nincsenek-e rajta repedések, korróziós károsodások vagy más sérülések.
5. Szerelje le a terelet vagy a szikrafogót, ha be van szerelve, és ellenőrizze a sérüléseket vagy a széntől származó eltömődéseket. Gondoskodjon róla, hogy a berendezés működtetése előtt megtisztítja vagy beszereli a cseralkatrészeket.
6. Ha be van szerelve, gondoskodjon róla, hogy az olajhűtő bordái tiszták legyenek.

A gyújtógyertya szervizelése

Hézagmérővel (B) ellenőrizze a gyertyahézagot (A, 7 ábra). Ha szükséges, akkor állítson a gyertyahézagon. Szerelje be, és húzza meg az ajánlott nyomatékkal a gyújtógyertyát. A hézagra és a nyomatéokra vonatkozóan lásd a *Műszaki adatok* c. szakaszt.

Cserélje ki a motorolajat



FIGYELMEZTETÉS

Az üzemanyag és gőzei gyúlékonyak és robbanásveszélyesek. A tűz vagy robbanás égési sérüléseket vagy halálos balesetet okozhat.

Működés közben a motor és a kipufogódob felmelegszik. Ha megérinti a forró motort, égési sérülések keletkezhetnek.

- Amikor az olajat kiürítik a felső olajbetöltő csőből, az üzemanyagtartálynak üresnek kell lennie. Ha nem üres, akkor üzemanyag-szivárgás léphet fel, ami tüzet vagy robbanást okozhat.
- Mielőtt megérinti a motort vagy a kipufogódobot, állítsa le a motort, és várjon két (2) percig. Ügyeljen arra, hogy a motor és a kipufogódob biztonságosan megérinthető legyen.

A használt olaj veszélyes hulladék, gondoskodni kell a megfelelő ártalmatlanításáról. Ne dobja ki a háztartási szeméttel együtt. Keresse fel a helyi önkormányzatot, szervizközpontot vagy szakkereskedést a biztonságos gyűjtő-/újrahasznosító telepekre vonatkozó információkért.

Olaj eltávolítása

1. KIKAPCSOLT, de még meleg motornál válassza le a gyújtógyertya kábel csatlakozóit (D, 8 ábra), és tartsa távol őket a gyújtógyertya(k)tól (E).
2. Húzza ki az olajsztjelző pálcat (A, 9 ábra).

Olajleeresztő csavar, ha be van szerelve

1. Csavarja ki az olajleeresztő csavart (F, 10 ábra). Az olajat egy engedélyezett tartályba engedje le.

MEGJEGYZÉS: Az ábrán szereplő olajleeresztő csavarok (G, 10. ábra) beszerelhetők a motorba.

2. Az olaj leeresztése után csavarja be és húzza meg az olajleeresztő csavart (F, 10. ábra).

Gyors olajleeresztő, ha be van szerelve

1. Válassza le az olajleeresztő tömlőt (H, 11. ábra) motor oldalán található csatlakozását.
2. Fordítsa el és vegye le az olajleeresztő sapkát (I, 11. ábra). Körültekintően engedje le az olajleeresztő tömlőt (H) egy jóváhagyott tartályba (J).
3. Az olaj leeresztése után tegye vissza a gyors olajleeresztő sapkát (I, 11. ábra). Csatlakoztassa a gyors olajleeresztő tömlőt (H) a motor oldalához.

Olaj betöltése

- Ellenőrizze, hogy szintben van-e a motor.
- Tisztítsa meg az olajbetöltő nyílás környékét a nyesedéktől.
- Lásd a **Műszaki jellemzők** fejezetet az olajkapacitással kapcsolatban.

1. Húzza ki az olajsztintjelző pálcát (A, 3 ábra). Törölje le az olajat a szintjelző pálcáról egy tiszta kendővel.
2. Lassan töltsön olajat az olajbetöltő nyílásba (C, 3 ábra). **NE töltsön túl sok olajat a motor olaj betöltőjébe.** Várjon egy percet, majd ellenőrizze újra az olajsztintet.

MEGJEGYZÉS: Ne a gyors olajleeresztőn (ha tartozék) keresztül töltsön be az olajat.

3. Dugja vissza és húzza meg az olajsztintjelző pálcát (A, 3 ábra).
4. Vegye ki az olajsztintjelző pálcát, és ellenőrizze az olajsztintet. Az olajsztintnek az olajsztintjelző pálcán a tele jelzés tetejéig (B, 3 ábra) kell érnie.
5. Dugja vissza és húzza meg az olajsztintjelző pálcát (A, 3 ábra).
6. Csatlakoztassa gyújtógyertya vezetékét, ill. vezetékeit a gyújtógyertya(k)hoz. Lásd **Az olaj eltávolítása** című részt.

Cserélje ki az olajsztintet

1. Eressze le az olajat a motorból. Lásd az **Olaj eltávolítása** c. fejezetet.
2. Távolítsa el az olajsztintet (H, 12 ábra), majd ártalmatlanítsa a megfelelő módon.
3. Az új olajsztint felhelyezése előtt kenje be az olajsztint tömítőgyűrűjét egy kevés friss, tiszta olajjal.
4. Kézzel helyezze be az olajsztintet, amíg a tömítőgyűrű el nem éri a szűrőadaperter, majd 1/2-3/4 fordulatnyira húzza meg az olajsztintet.
5. Öntse be az olajat. Lásd az **Olaj betöltése** c. fejezetet.
6. Indítsa be és járassa a motort. Amint a motor felmelegszik, ellenőrizze, nem szívárog-e az olaj.
7. Állítsa le a motort. Győződjön meg róla, hogy az olajsztint a tele jelzés tetejéig ér az olajsztintjelző pálcán. Lásd az **Olaj betöltése** c. fejezetet.

A légszűrő karbantartása

FIGYELMEZTETÉS

Az üzemanyagok gőzei gyúlékonyak és robbanásveszélyesek. A tűz vagy robbanás égési sérüléseket vagy halálos balesetet okozhat.

- Ne indítsa vagy járassa a motort, ha a légtisztító szerelvény (ha van ilyen) vagy a levegőszűrő (ha van ilyen) el lett távolítva.

MEGJEGYZÉS

A szűrő tisztításához ne alkalmazzon sűrített levegőt vagy oldószereket. A sűrített levegő a szűrő meghibásodását, míg az oldószerek a szűrő feloldását okozhatják.

A karbantartási követelményekkel kapcsolatosan lásd a **Karbantartás ütemezése** c. fejezetet.

A különböző modellek szivacsos vagy papírszűrőt alkalmaznak. Egyes modellek még egy opcionális, mosható és újrafelhasználható előszűrővel is el vannak látva. Hasonlítsa össze a jelen útmutatóban található ábrákat az Ön motorjára szerelt típusal, majd az alábbiak szerint végezze el a szervizelést.

Papír levegőszűrő (előszűrővel)

1. Lazítsa meg a rögzítőket (A, 13. ábra).
2. Vegye le a levegőszűrő fedelét (B, 13. ábra).
3. Vegye ki a szűrőt (C, 13. ábra) és az előszűrőt (D), ha be van szerelve.
4. A nem kívánt anyag eltávolításához ütögesse meg finoman a levegőszűrőt egy kemény felületen. Ha a szűrő piszkos, cserélje ki egy újra.
5. Mossa ki az előszűrőt (D, 13. ábra), ha be van szerelve, folyékony mosogatószeres vízben. Hagyja az előtétiszűrőt a levegőn teljesen megszáradni. **NE** olajozza meg az előszűrőt.

6. Tegye vissza a száraz előtétiszűrőt (D, 13. ábra), ha be van szerelve, és a szűrőt (C) a szűrőtalpba (E).
7. Szerelje be a levegőszűrő fedelét (B, 13. ábra) és rögzítse rögzítővel/rögzítőekkel (A). Ügyeljen arra, hogy a rögzítő(k) szorosan meg legyen(ek) húzva.

A levegőszűrő szerelvénye (betét, előtétiszűrővel)

1. Csavarja ki a rögzítő(ke)t (A, 14., 15. ábra).
2. Vegye le a levegőszűrő fedelét (B, 14., 15. ábra).
3. A levegőszűrő eltávolításához (C, 14., 15. ábra), emelje meg a szűrő végét.
4. A nem kívánt anyag eltávolításához ütögesse meg finoman a levegőszűrőt egy kemény felületen. Ha a szűrő piszkos, cserélje ki egy újra.
5. Vegye ki az előszűrőt (D, 14., 15. ábra) a szűrőből (C).
6. Folyékony mosószerrel és vízzel mossa ki az előszűrőt (D, 14., 15. ábra). Hagyja az előtétiszűrőt a levegőn teljesen megszáradni. **NE** olajozza meg az előszűrőt.
7. Tegye vissza a száraz előszűrőt (D, 14., 15. ábra), ha be van szerelve, a szűrőbe.
8. Tegye a szűrőt (C, 14., 15. ábra) és az előszűrőt (D), ha be van szerelve, a szűrőtalpba (E), majd addig nyomja lefelé a szűrőt, amíg egy kattantást nem hall.
9. Szerelje fel a levegőszűrő fedelét (B, 14., 15. ábra) és rögzítse a rögzítővel/rögzítőekkel (A). Ügyeljen arra, hogy a rögzítő(k) szorosan meg legyen(ek) húzva.

Az üzemanyag-ellátó rendszer szervizelése



FIGYELMEZTETÉS

Az üzemanyag és gőzei gyúlékonyak és robbanásveszélyesek. A tűz vagy robbanás égési sérüléseket vagy halálos balesetet okozhat.

- Az üzemanyagot tartsa távol szikráktól, nyílt lángtól, gyújtólángtól, hőtől és más gyújtóforrásoktól.
- Gyakran ellenőrizze az üzemanyag-vezetékeket, az üzemanyagtartályt, a tanksapkát és a csatlakozásokat repedések vagy szivárgások szempontjából. Cserélje ki a hibás alkatrészeket!
- Ha az üzemanyag kiömlik, várja meg, amíg felszárad, mielőtt beindítaná a motort.

Üzemanyagszűrő, ha van

1. Az üzemanyagszűrő cseréje előtt (A, ábra 16.) engedje le az üzemanyagtartályból az üzemanyagot, vagy zárja el az üzemanyag-elzáró szelepet. Ha az üzemanyagtartályt nem eresztik le, az üzemanyag kifolyhat, és tüzet vagy robbanást okozhat.
2. Használjon fogót a kapcsolók (C) található fülek (B, ábra 16.) összeszorítására, majd csúsztassa az üzemanyagszűrőtől (A) távolabbra a kapcsolókat.
3. Csavarja és húzza el az üzemanyag-vezetékeket (D, ábra 16.) az üzemanyagszűrőtől.
4. Ellenőrizze az üzemanyag-vezetékeket (D, ábra 16.) repedések vagy szivárgások szempontjából. Szükség esetén cserélje ki az üzemanyag-vezetékeket.
5. Cserélje ki az üzemanyagszűrőt (A, ábra 16.).
6. Rögzítse az üzemanyagvezetékeket (D, ábra 16.) kapcsolókkal (C).

Tárolás

Üzemanyagrendszer

Lásd a(z) 17. ábrát.



FIGYELMEZTETÉS

Az üzemanyag és gőzei gyúlékonyak és robbanásveszélyesek. A tűz vagy robbanás égési sérüléseket vagy halálos balesetet okozhat.

Az üzemanyag tárolása

- Tárolja távol az üzemanyagot vagy a berendezést a kályháktól, tűzhelyektől, vízmelegítőktől vagy egyéb, gyújtólángokat, illetve más szikraforrásokat használó készülékektől, mert ezek robbanást okozhatnak.

A motort vízszintes helyzetben tárolja (normál üzemi pozícióban). Töltsön fel az üzemanyagtartályt (A, 17. ábra) üzemanyaggal. Az üzemanyag tágulása miatt ne töltsön üzemanyagot az üzemanyagtartály betöltőnyílásának nyakába (B) fölé.

Az üzemanyag állottá válhat, ha 30 napnál hosszabb ideig tárolóedényben tartják. Az üzemanyag romlásának megelőzése és az üzemanyag frissen tartása érdekében alkoholmentes üzemanyag-stabilizáló adalék és etanolos kezelés használata ajánlott az üzemanyag-tároló tartályban.

Amikor a tartályba üzemanyagot tölt, adjon hozzá alkoholmentes üzemanyag-stabilizáló adalékot a gyártó utasításai szerint. Ha a motorban lévő benzint nem kezelték üzemanyag-stabilizáló adalékkal, akkor azt egy jóváhagyott tartályba kell leengedni. Addig üzemeltesse a motort, amíg ki nem fogy az üzemanyag.

Motorolaj

Amíg még meleg a motor, cseréljen motorolajat. Lásd: **A motorolaj cseréje** szakaszt.

Hibaelhárítás

Segítségnyújtás

Segítségért forduljon a helyi márkakereskedőhöz, vagy keresse fel a(z) **BRIGGSandSTRATTON.COM** webhelyet, vagy hívja a(z) **1-800-444-7774** telefonszámot (az Egyesült Államokban).

Műszaki jellemzők és szervizalkatrészek

Műszaki adatok	Modell:400000	Modell:440000
Lökettérfogat	40.03 köbhüvelyk (656 cc)	44.18 köbhüvelyk (724 cc)
Furat	2.970 hüvelyk (75,43 mm)	3.120 hüvelyk (79,24 mm)
Lökét	2.890 hüvelyk (73,41 mm)	2.890 hüvelyk (73,41 mm)
Olajkapacitás	62 - 64 uncia (1,8 - 1,9 l)	62 - 64 uncia (1,8 - 1,9 l)
Gyertyahézag	.030 hüvelyk (.76 mm)	.030 hüvelyk (.76 mm)
Gyújtógyertya-nyomaték	180 fonthüvelyk (180 Nm)	180 fonthüvelyk (20 Nm)
Forgórész légrése	.008 - .012 hüvelyk (.20 - .30 mm)	.008 - .012 hüvelyk (.20 - .30 mm)
Szívószelephézag	.004 - .006 hüvelyk (.10 - .15 mm)	.004 - .006 hüvelyk (.10 - .15 mm)
Kipufogószelep-hézag	.004 - .006 hüvelyk (.10 - .15 mm)	.004 - .006 hüvelyk (.10 - .15 mm)

Műszaki adatok	Modell:490000
Lökettérfogat	49.42 köbhüvelyk (810 cc)
Furat	3.300 hüvelyk (83,81 mm)
Lökét	2.890 hüvelyk (73,41 mm)
Olajkapacitás	66 - 68 uncia (1,9 - 2,0 l)
Gyertyahézag	.030 hüvelyk (.76 mm)
Gyújtógyertya-nyomaték	180 fonthüvelyk (180 Nm)
Forgórész légrése	.008 - .012 hüvelyk (.20 - .30 mm)
Szívószelephézag	.004 - .006 hüvelyk (.10 - .15 mm)
Kipufogószelep-hézag	.004 - .006 hüvelyk (.10 - .15 mm)

Pótalkatrészek

Briggs & Stratton tartalék alkatrészek megvásárlásához keressen egy hivatalos szervizképviseletet a BRIGGSandSTRATTON.COM címen. Szüksége lesz az azonosító számra (modell - típus - burkolat). Tekintse meg a **Funkciók és kezelőszervek** szakaszt a motorazonosító szám megtalálásához.

Teljesítmény-besorolás

Az egyes benzines modellek maximális bruttó energiafelhasználását az SAE (Gépjárműipari mérnökök egyesülete) J1940-es ködjelölése szerint jelöljük, a kismotorok teljesítménye és a forgatónyomaték-besorolás alapján az SAE J1995-ös szerint. A 2600 ford./percet elért forgatónyomaték-értékek az „rpm”-es motoroknál így szerepelnek a címkén, míg az összes többi motornál 3060 RPM szerepel; a lóerőértékeket 3600 RPM-en mérik. A www.BRIGGSandSTRATTON.COM címen tekinthetők meg a bruttó teljesítménygörbék. A nettó értékeket a kipufogó és a légtisztító felszerelése után mérik, míg a bruttó energiafelhasználási értékeket ezek nélkül szerzik be. A valódi bruttó motorteljesítmény nagyobb a nettó motorteljesítménynél, többek között az üzemeltetési körülmények és a motoronként változó különbségek is befolyásolják. A termékek széles skáláját figyelembe véve, amelyekbe a motorokat beszerelik, a benzinmotor egyes motoroknál nem éri el a mért bruttó energiafelhasználást. Ez a különbség többek között számos olyan tényezőnek tudható be, mint például a motor különböző alkotórészei (légtisztító, kipufogó, töltőrendszer, hűtés, karburátor, üzemanyag-szivattyú stb.), az alkalmazási korlátozások, a környezeti működési feltételek (hőmérséklet, páratartalom, tengerszint feletti magasság), illetve a motorok variálhatósága. Gyártási és kapacitáskorlátozások következtében a Briggs & Stratton ezt a motort egy magasabb teljesítmény-besorolású motorral helyettesítheti.

Garancia

Briggs & Stratton® motorgarancia

Hatályos 2022 augusztusától

Korlátozott jótállás

A Briggs & Stratton garantálja, hogy az itt meghatározott garanciaidő alatt díjmentesen megjavít vagy – a Briggs & Stratton saját belátása szerint – újra, felújított vagy újból legyártottra cserél minden anyaghibás, gyártási hibás vagy egyszerű anyag- és gyártási hibás alkatrészt. A szállítás költségeit a javításra vagy cserére elküldött termék vonatkozásában a garancia szerint a vásárlónak kell fedeznie. A garancia csak az alábbiakban meghatározott időtartamok és feltételek szerint érvényes. A jótállással kapcsolatos szolgáltatás céljából keresse meg a legközelebbi hivatalos szervizképviseletet a márkakereskedő-kereső térképünkön itt: BRIGGSandSTRATTON.COM. A vevőnek fel kell vennie a kapcsolatot a hivatalos márkaszervizzel, és biztosítania kell, hogy a hivatalos márkaszerviz ellenőrizhesse és megvizsgálhassa az adott terméket.

Nem létezik más kifejezett garancia. A vélelmezett garancia, beleértve az eladhatóságra és az egy sajátos célnak való megfelelésre vonatkozó garanciát, a vásárlás napjától számított egy évre vagy a törvény által megállapított időtartamra korlátozódik. Minden más vélelmezett garancia ki van zárva. A véletlen vagy következményes károk ki vannak zárva a garanciából a törvény által megengedett határig. Egyes államokban vagy országokban nem engedélyeznek olyan korlátozást, hogy mennyi ideig tart valamely vélelmezett garancia és bizonyos államokban vagy országokban nem engedélyezik a járulékos vagy következményes károk kizárását vagy korlátozását, így lehetséges, hogy a fenti korlátozás és kizárás önmagában nem vonatkozik. Jelen jótállás meghatározott jogokat biztosít Önnek, és elképzelhető, hogy egyéb jogai is vannak, ezek azonban államtól államtól illetve országról országra változnak.

A normál garancia feltételei ^{1, 2}

Vanguard®; Kereskedelmi terméksorozat

Fogyasztói használat - 36 hónap

Kereskedelmi használat - 36 hónap

XR sorozat

Fogyasztói használat - 24 hónap

Kereskedelmi használat - 24 hónap

Minden más motor Dura-Bore™ öntöttvas persellyel

Fogyasztói használat - 24 hónap

Kereskedelmi használat - 12 hónap

Minden más motor

Fogyasztói használat - 24 hónap

Kereskedelmi használat - 3 hónap

¹ Ezek a normál jótállási feltételeink, de esetenként további garanciális fedezet is létezhet, amelyet a közzététel időpontjában még nem határoztunk meg. Ha meg szeretné ismerni a motorjára vonatkozó jótállási feltételek jelenlegi listáját, keresse fel a BRIGGSandSTRATTON.com webhelyet, vagy vegye fel a kapcsolatot egy Briggs & Stratton hivatalos szervizképviselettel.

² Nincs jótállás a közmű helyett elsődleges energiaellátásra használt berendezések motorjaira, a kereskedelmi célokra használt készenléti generátorokra, a 25 MPH sebességet meghaladó haszonjárművekre, valamint a versenyeken, illetve a kereskedelmi vagy bérelt pályákon használt motorokra.

* Ausztráliában – Termékeink olyan garanciákkal rendelkeznek, amelyek az ausztrál fogyasztóvédelmi törvény szerint nem zárhatók ki. Ön cserére vagy pénz visszatérítésre jogosult a súlyosabb hibák esetében, és kártérítésre minden más reálisán előrelátható veszteségért vagy kárért. Akkor is joga van a termékek javítására vagy cseréjére, ha a termékek minősége nem megfelelő, és a meghibásodás nem minősül súlyosnak. Garanciális szervizszolgáltatás igénybevétele céljából keresse meg a legközelebbi hivatalos szervizképviseletet márkakereskedő-kereső térképünkön a BRIGGSandSTRATTON.COM webhelyen, hívja az 1300 274 447 számot, küldjön e-mailt a salesenquires@briggsandstratton.com.au címre vagy levelet a Briggs & Stratton Australia Pty Ltd, 1 Moorebank Avenue, Moorebank, NSW, Australia, 2170 címre.

A jótállási időszak az első kiskereskedelmi fogyasztó vagy kereskedelmi végfelhasználó általi vásárlás napjától lép érvénybe, és a fenti táblázatban megadott időszakra szól. A „fogyasztói felhasználás” a kiskereskedelmi fogyasztó által való személyes lakóhelyi háztartási felhasználást jelenti. A „kereskedelmi felhasználás” minden egyéb felhasználást jelent, beleértve a kereskedelmi, jövedelemtermelő és bérleti célú felhasználást. Ha egy motor egyszer már kereskedelmi használatba került, akkor ezt követően a jelen garancia szempontjából kereskedelmi felhasználású motornak kell tekinteni.

Nincs szükség garanciabejegyzésre a Briggs & Stratton márkájú termékek garancijogának érvényesítéséhez. Őrizze meg a vásárlást igazoló nyugtát. Ha nem igazolja az eredeti beszerzés dátumát a garanciális szerviz igénylésének időpontjában, akkor a termék gyártási időpontját veszik figyelembe a jótállási időszak meghatározásához.

A garancijáról

Ez a garancia csak a motorral kapcsolatos anyag- és/vagy gyártási hibákra vonatkozik, nem pedig annak a berendezésnek a cseréjére vagy árának visszatérítésére, amelyre az illető motor fel van szerelve. A normál karbantartáshoz szükséges anyagokra, teljesítménynövelő beállításokra, beállításokra vagy normál elhasználódásra ill.

szakadásra nem vonatkozik a garancia. Hasonlóképpen nem vonatkozik a garancia arra az esetre, amikor megváltoztatták vagy módosították a motort, továbbá megromolták vagy eltávolították a motorszámot. Ez a garancia nem vonatkozik az alábbi okok miatti motorkárookra vagy teljesítményproblémákra:

1. Olyan alkatrészek használata, amelyek nem Briggs & Stratton
2. A motor működtetése elégtelen, szennyezett vagy nem megfelelő konzisztencia besorolású kenőolajjal;
3. Szennyezett vagy állott üzemanyag, 10%-nál nagyobb etanoltartalmú benzin vagy alternatív üzemanyagok használata, mint cseppfolyósított szénhidrogén vagy földgáz, olyan motorokban, melyeket a Briggs & Stratton eredetileg nem ilyen üzemanyagokkal való működésre tervezett/gyártott;
4. Szennyeződés, amelynek a motorba való bejutását nem megfelelő levegőszűrő karbantartás vagy visszaszerelés okozta;
5. A forgóképes fűnyíró késével egy tárgynak ütközés, laza vagy nem megfelelően felszerelt késadapterek, turbinakerekek vagy más főtengellyel összekötött eszközök, továbbá túl szoros ékszíj;
6. Tartozékok vagy részegységek, mint tengelykapcsolók, sebességváltók, berendezés kezelőszervek stb., amelyeket nem a Briggs & Stratton szállított;
7. Lenyírt fűdarabok, szennyeződés, nyesedék vagy rágcsáló bűvőhelyanyagai miatti túlmelegedés, melyek eldugaszolják illetve eltömítik a hűtőbordákat vagy a lendkerék környékét, továbbá a motornak megfelelő szellőzés nélküli működtetése;
8. Túlzott vibráció értéken felüli sebességgel történő működtetés, laza motorrögzítés, laza illetve kiegyensúlyozatlan vágókések vagy turbinák, továbbá a berendezés alkotóelemeinek nem megfelelő főtengely csatlakoztatása miatt;
9. Nem rendeltetésszerű használat, a rendszeres karbantartás hiánya, a berendezés szállítása, kezelése vagy raktározása, ill. nem megfelelő motor beszerelés.

A jótállási szolgáltatás kizárólag a Briggs & Stratton hivatalos márkaszervizeiben vehető igénybe. Keresse meg a legközelebbi hivatalos szervizképviselőt a márkakereskedő-kereső térképünkön a BRIGGSandSTRATTON.COM webhelyen, vagy hívja az 1-800-444-7774 számot (az Egyesült Államokban).

80114782 (A átdolgozás)

Bendroji informacija



Šiame vadove pateikta saugumo informacija apie pavojus ir riziką, susijusius su šiuo varikliu, ir kaip jų išvengti. Jame taip pat yra taisyklingo variklio naudojimo ir priežiūros instrukcijos. Svarbu, kad perskaitytumėte, suprastumėte ir laikytumėtės šių instrukcijų. **Išsaugokite šį vadovą ateičiai.**

PASTABA: Šiame vadove esantys paveikslėliai ir iliustracijos yra tik pavyzdžiai, jie gali skirtis nuo jūsų modelio. Remkitės jūsų variklio konfigūraciją atitinkančiais paveikslėliais. Jei reikia, kreipkitės į įgaliotąjį techninės priežiūros atstovą.

Užsirašykite variklio modelį, tipą, partijos numerį ir įsigijimo datą, jei prireiktų keičiamųjų dalių. Šiuos numerius rasite ant variklio. Žr. skyrių **Funkcijos ir valdikliai**.

Pirkimo data	
Variklio modelis – tipas – apdaila	
Variklio serijos numeris	

Biuro Europoje kontaktinė informacija

Dėl klausimų, susijusių su dujų išlakomis Europoje, kreipkitės į mūsų biurą Europoje, adresu:

Max-Born-Straße 2, 68519 Viernheim, Vokietija.

Europos Sąjunga (ES), V etapas (5): Anglies dioksido (CO2) vertės

Iveskite raktinį paieškos žodį „CO2“ BriggsandStratton.com puslapio paieškos laukelyje, norėdami rasti „Briggs & Stratton“ ES tipą patvirtinančią sertifikatą turinčių variklių anglies dioksido vertes.

Operatoriaus sauga

Saugos įspėjimo ženklas ir įspėjamieji žodžiai



Saugos įspėjimo ženklas žymi saugos informaciją dėl pavojų, galinčių sukelti traumas. Įspėjamasis žodis (**PAVOJUS**, **ĮSPĖJIMAS** arba **ATSARGIAI**) naudojamas, siekiant parodyti galimo sužeidimo tikimybę ir sunkumą. Be to, pavojaus ženklas naudojamas pavojaus tipui nurodyti.

PAVOJUS – kai kyla rimtas mirtino arba sunkaus sužeidimo pavojus.

ĮSPĖJIMAS – kai kyla galimo mirtino arba sunkaus sužeidimo pavojus.

ATSARGIAI reiškia pavojų, kuris, jo nevengiant, gali sukelti lengvą ar vidutinį sužalojimą.

PASTABA nurodo svarbią informaciją, tiesiogiai nesusijusią su pavojais.

Pavojaus ženklai ir jų reikšmės

Saugos informacija apie pavojus, kurie gali baigtis susižalojimu.	Prieš naudodami įrenginį arba prieš vykdydami jo techninės priežiūros darbus, perskaitykite naudojimo instrukciją ir įsisavinkite joje pateiktą informaciją.
Gaisro pavojus	Sprogimo pavojus
Elektros smūgio pavojus	Nuodingų dujų pavojus
Karštų paviršių keliamas pavojus	Atatrankos pavojus
Amputacijos pavojus – judančios dalys	Degalų lygis – maksimalus Neperpildykite

Saugos pranešimai



ĮSPĖJIMAS

„Briggs & Stratton®“ varikliai nėra skirti ir negali būti naudojami kaip energijos šaltinis: pramoginiuose ar sportiniuose kartinguose; vaikiškuose, pramoginiuose ar sportiniuose keturračiuose (ATV); motocikluose; transporto priemonėse su oro pagalve; aviacijos gaminiuose; arba varžyboms naudojamose mašinos, kurių nepatvirtino „Briggs & Stratton“. Informacijos apie lenktynėms skirtus gaminius rasite svetainėje www.briggsracing.com. Dėl naudojimo universaliuose keturračiuose ir bagiuose kreipkitės į „Briggs & Stratton“ variklių taikymo centrą, 1-866-927-3349. Netinkamas variklio naudojimas gali sukelti sunkią ar mirtiną traumą.

Informacija apie atliekų surinkimą ir perdirbimą

		Visas dėžes, naudotą alyvą ir senus akumulatorius atiduokite perdirbti, atsižvelgdami į galiojančius valstybės teisės aktus.
--	--	--

Funkcijos ir valdikliai

Variklio valdytuvai

Palyginkite išnašų raišes 1 ir 2 paveikslėliuose su toliau pateiktame sąraše nurodytais variklio valdikliais:

- Variklio identifikacijos numeriai **Modelis – tipas – kodas**
- Uždegimo žvakė
- Oro filtras
- Alyvos lygio matuoklis
- Alyvos išleidimo kaištis
- Ventiliatoriaus korpuso dangtis
- Alyvos filtras
- Elektrinis starteris
- Karbiuratorius
- Degalų filtras (jei sumontuotas)
- Degalų siurblys (jei sumontuotas)
- Greito alyvos išleidimo sistema (jei sumontuota)
- Alyvos aušintuvas (jei sumontuotas)
- Elektrinis valdymo blokas (jei sumontuotas)

Variklio valdiklių ženklai ir jų reikšmės

Variklio apsakos – GREITOS	Variklio apsakos – LĖTOS
Variklio apsakos – SUSTABDYTOS	ĮJUNGTAS / IŠJUNGTAS
Variklio paleidimas Oro sklendė UŽDARYTA	Variklio paleidimas Oro sklendė ATIDARYTA
Degalų bako dangtelis Degalų tiekimo atjungimo sklendė ATIDARYTA	Degalų tiekimo atjungimo sklendė UŽDARYTA

Naudojimas



ĮSPĖJIMAS

Degalų garai yra degūs ir sprogdūs. Ugnis arba sproginimas gali jus nudeginti arba užmušti.

Užuodę dujas

- Variklio nepaleiskite.
- Nejunkite elektros jungiklių.
- Nenaudokite telefono artimoje aplinkoje.
- Išveskite visus žmones iš tos zonos.
- Kreipkitės į priešgaisrinės apsaugos tarnybą.

Naudodami įrangą

- Neverskite variklio arba įrangos ant šono, nes gali išsilieti degalai.

Keisdami įrangos vietą

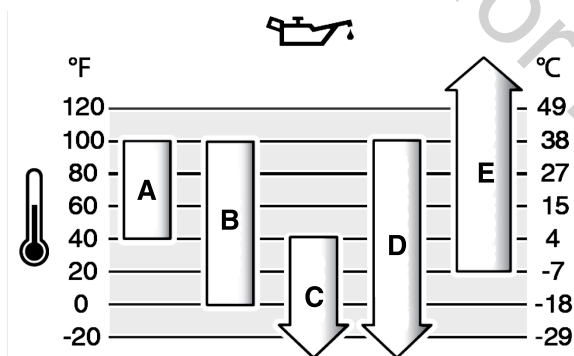
- Įsitinkinkite, kad degalų bakas yra TUŠČIAS arba kad degalų tiekimo atjungimo sklendė (jei sumontuota) yra nustatyta į padėtį UŽDARYTA.

Alyvos rekomendacijos

Alyvos talpa: Žr. skyrių **Specifikacijos**.

Jei norite, kad įranga veiktų optimaliai, rekomenduojame naudoti „Briggs & Stratton“ sertifikuotas alyvas. Galite naudoti ir kitas aukštos kokybės alyvas, priskiriamas SF, SG, SH, SJ arba aukštesnei klasei. Nenaudokite specialių priedų.

Norėdami parinkti tinkamiausio klampumo alyvą, vadovaukitės numatomomis oro sąlygomis ir pateikta lentele. Daugeliui lauke naudojamų elektrinių įrenginių variklių tinka 5W-30 sintetinė alyva. Jei įranga eksploatuojama aukštos temperatūros aplinkoje, rekomenduojame naudoti „Vanguard“ 15W-50 sintetinę alyvą.



A	SAE 30 – jeigu SAE 30 alyva naudojama žemesnės nei 40 °F (4 °C) temperatūros aplinkoje, gali kilti problemų paleidžiant variklį.
B	10W-30 – jeigu 10W-30 alyva naudojama aukštesnės nei 80 °F (27 °C) temperatūros aplinkoje, gali padidėti alyvos sąnaudos. Dažnai tikrinkite alyvos lygį.
C	5W-30
D	Sintetinė 5W-30
E	Vanguard® sintetinė 15W-50

Patikrinkite alyvos lygį

Prieš tikrinant arba papildant alyvos

- Įsitinkinkite, kad variklis yra horizontalus.
- Nuvalykite purvą nuo alyvos pildymo vietos.
- Duomenis apie alyvos talpą rasite skyriuje **Specifikacijos**.

PASTABA

Variklis iš Briggs & Stratton gamyklos pristatomas be alyvos. Įrangos gamintojai arba pardavėjai galėjo pripildyti alyvos į variklį. Prieš paleisdami variklį pirmą kartą, įsitinkinkite, kad alyvos lygis tinkamas. Papildykite alyvos, kaip nurodyta šiame vadove. Paleidus variklį be alyvos, jis bus sugadintas ir jam nebus taikoma garantija.

1. Ištraukite lygio matuoklį (3 pav., A) ir nušluostykite jį skudurėliu.
2. Įstatykite ir priveržkite lygio matuoklį (3 pav., A).
3. Ištraukite matuoklį ir patikrinkite alyvos lygį. Pasirūpinkite, kad alyvos lygis siektų viršutinę alyvos lygio matuoklio žymą (3 pav., B).
4. Jeigu alyvos lygis žemas, lėtai pripilkite alyvos į variklio alyvos pildymo angą (3 pav., C). Nepripilkite per daug alyvos.
5. Palaukite vieną minutę ir vėl patikrinkite alyvos lygį. Įsitinkinkite, kad alyvos lygis tinkamas.

6. Įstatykite ir priveržkite lygio matuoklį (3 pav., A).

Apsaugos sistema nuo nepakankamo alyvos kiekio (jeigu yra sumontuota)

Kai kuriuose varikliuose yra sumontuotas žemo alyvos lygio jutiklis. Jei alyvos mažai, jutikliui suveikus užsideda įspėjamasis indikatorius arba išjungiamas variklis. Išjunkite variklį ir atlikite šiuos veiksmus prieš užvesdami variklį.

- Įsitinkinkite, kad variklis yra nustatytas į horizontalią padėtį.
- Patikrinkite alyvą. Žiūrėkite skyrių **Alyvos lygio tikrinimas**.
- Jei alyvos lygis žemas, įpilkite reikiamą alyvos kiekį. Užveskite variklį ir įsitinkinkite, kad įspėjamasis indikatorius (jei sumontuotas) neužsideda.
- Jei alyvos lygis nėra žemas, nepaleiskite variklio. Kreipkitės į „Briggs & Stratton“ įgaliotąjį techninės priežiūros atstovą, kad pašalintų su alyva susijusią problemą.

Rekomendacijos dėl degalų

Degalai turi atitikti šiuos reikalavimus:

- švarūs, švieži, be švino.
- Minimalus oktaninis skaičius 87 / 87 AKI (91 RON). Jeigu dirbate dideliame aukštyje virš jūros lygio, žr. toliau.
- Leidžiama naudoti degalų mišinius, kuriuose yra iki 10 % etanolio.

PASTABA

Nenaudokite nepatvirtinto tipo degalų, pvz., E15 ir E85. Nemaišykite benzino su alyva ir nebandykite perdirbti variklio, kad jis veiktų su kitais degalais. Dėl netinkamų degalų naudojimo variklio dalys gali sugesti ir garantija jam nebegalios.

Norėdami apsaugoti degalų sistemą nuo nuosėdų ir korozijos, į degalus įmaišykite kuro stabilizatoriaus (be alkoholio) ir etanolio. Žr. skyrių **Laikymas**. Ne visi degalai yra vienodi. Jeigu variklis blogai veikia, pakeiskite degalų tiekėją arba markę. Šis variklis yra sertifikuotas naudoti benzina. Išmetamųjų dujų kontrolės sistema varikliams su karbiuratoriais yra EM (variklio modifikacija). Išmetamųjų dujų kontrolės sistema varikliams su elektroniniu kuro įpurškimu yra ECM (variklio valdymo modulis), MPI (daugiataškis kuro įpurškimas), TBI (degalų įpurškimas droselio korpusė) ir, jei įrengtas, O2S (deguonies jutiklis).

Didelis aukštis virš jūros lygio

Dirbant didesniame nei 5 000 pėdų (1 524 metrų) aukštyje virš jūros lygio leidžiama naudoti ne mažesnis kaip 85 oktaninio skaičiaus / 85 AKI (89 RON) benzina.

Norint užtikrinti tinkamas variklio su karbiuratoriumi darbinės charakteristikas, būtina sureguliuoti aukščio virš jūros lygio nustatymą. Neatlikus tokio reguliavimo sumažės variklio našumas, padidės degalų sąnaudos ir išmetamųjų dujų kiekis. Dėl informacijos, kaip nustatyti įrenginį darbu aukštumose, kreipkitės į įgaliotąjį Briggs & Stratton techninės priežiūros atstovą. Nerekomenduojama naudoti variklio, nustatyto dirbti dideliame aukštyje, mažesniame nei 2 500 pėdų (762 metrų) aukštyje.

Varikliuose su elektronine kuro įpurškimo sistema (EFI) didelės altitudės reguliavimas nėra reikalingas.

Degalų pildymas



ĮSPĖJIMAS

Degalai ir jų garai yra degūs ir sprogdūs. Ugnis arba sproginimas gali jus nudeginti arba užmušti.

Pildami degalus

- Išjunkite variklį. Prieš nuimdami degalų dangtelį, palaukite mažiausiai dvi (2) minutes, kad variklis atvėstų.
- Pildykite degalų baką lauke arba gerai vėdinamose patalpose.
- Nepilkite per daug degalų į baką. Kadangi degalai gali plėstis, nepilkite virš apatinės degalų bako kaklelio ribos.
- Saugokite degalus nuo kibirkščių, atviros ugnies, nuolat įjungtų dujų degiklių, šilumos ir kitų uždegimo šaltinių.
- Dažnai tikrinkite, ar degalų žarnos, degalų bakas, degalų dangtelis ir jungtys neįtrūkę ir neprateka. Pakeiskite apgadintas detales.
- Jeigu išsilietų degalai, prieš paleisdami variklį palaukite, kol jie išgaruos.

1. Nuvalykite aplink degalų dangtelį esantį purvą ir nešvarumus. Atsukite degalų bako dangtelį.
2. Į degalų baką (A, 4 pav.) pripilkite degalų. Kadangi degalai plėsis, nepilkite virš apatinės degalų bako kaklelio (B) ribos.
3. Užsukite degalų bako dangtelį.

Variklio užvedimas



ISPĖJIMAS

NUODINGŲ IŠMETAMŲJŲ DUJŲ KELIAMAS PAVOJUS. Variklio išmetamosiose dujose yra anglies monoksido – nuodingų dujų, kurios per kelias minutes gali sukelti mirtį. Net jeigu neužuodžiate išmetamųjų dujų kvapo, vis tiek galite būti paveikti pavojingų anglies monoksido dujų. Jeigu naudodami šį gaminį pajustumėte pykinimą, galvos svaigimą ar silpnumą, **NEDELSDAMI išėikite pakvėpuoti grynu oru. Kreipkitės į gydytoją. Galite apsinuodyti anglies monoksidu.**

- Anglies monoksido dujos gali kauptis uždaruose plotuose. Kad sumažėtų anglies monoksido keliamas pavojus, naudokite šį gaminį TIK lauke kuo toliau nuo langų, durų ar ventilacijos angų.
- Įrenkite akumuliatorinius anglies monoksido detektorius arba elektrinius anglies monoksido detektorius su atsarginiu akumuliatoriumi, vadovaudamiesi gamintojo instrukcijomis. Dūmų detektoriai negali fiksuoti anglies monoksido dujų.
- **NEJUNKITE** šio gaminio namuose, garažuose, rūsiuose, koridoriuose, pašiūre ar kitose uždaroose vietose, net jei ventilacijai naudojate ventilatorius arba esate atidarę duris bei langus. Panaudojus šį gaminį, anglies monoksidas gali greitai susikaupti šiose vietose ir likti valandų valandas.
- **VISADA** orientuokite gaminį pavėjui ir nukreipkite variklio išmetamųjų dujų vamzdį nuo žmonių.



ISPĖJIMAS

Degalai ir jų garai yra degūs ir sprogūs. Ugnis arba sproginimas gali jus nudeginti arba užmušti.

Paleisdami variklį

- Įsitinkite, kad uždegimo žvakė, duslintuvas, degalų bako dangtelis ir oro filtras (jei įrengtas) yra tinkamai sumontuoti.
- Nebandykite užvesti variklio, kai išimta degimo žvakė.
- Jei variklis užlietas, nustatykite oro sklendę (jei yra) į padėtį **ATIDARYTA** arba **PALEISTI**. Droselinę sklendę (jei yra) nustatykite į padėtį **GREITAS** ir paleidininkite variklį tol, kol jis pasileis.
- Jeigu netoliese yra gamtinių arba LP dujų nuotėkis, nepaleiskite variklio.
- Kadangi garai yra degūs, negalima suslėgti paleidimui skirtų skysčių.



ISPĖJIMAS

Besisukančios dalys gali įtraukti rankas, kojas, plaukus, aprangą arba kokį daiktą ir sukelti traumingą amputaciją ar plėštinę žaizdą.

- Įrangą naudokite su tinkamai sumontuotomis apsaugomis.
- Laikykitės rankas ir kojas toliau nuo besisukančių dalių.
- Nusiimkite papuošalus ir žiūrėkite, kad ilgi plaukai būtų atokiau nuo besisukančių dalių.
- Nedėvėkite palaidų drabužių ar daiktų, kuriuos galėtų įtraukti variklis.

1. Patikrinkite variklio alyvą. Žiūrėkite skyrių **Alyvos lygio tikrinimas**.
2. Įsitinkite, kad įrenginio pavaros valdikliai (jei sumontuoti) yra išjungti.
3. Jei įrengtas degalų tiekimo išjungimo vožtuvas (A, pav. 5), nustatykite jį į padėtį „ATIDARYTI“.
4. Droselinės sklendės valdiklį (B, 5 pav.) (jei sumontuotas) nustatykite į **GREITŲ** variklio apskukų padėtį.
5. **Modeliuose su oro sklende** (C, 5 pav.), pastumkite ją į padėtį „UŽDARYTA“. **Modeliuose su kombinuotąja oro sklende / traukos reguliatoriumi** (G, 5 pav.) (jei yra) reguliatorių nustatykite į padėtį „ORO SKLENDE“. **Dėl modelių su „ReadyStart“** žr. kitą žingsnį.

PASTABA: Užvedant šiltą variklį, įprastai droselinės sklendės naudoti nereikia.

6. Norėdami užvesti variklį, pasukite raktelį (D, 5 pav.) (jei yra) į padėtį „JUNGTI / PALEIDIMAS“ arba nuspauskite mygtuką (E).
7. Kol variklis neįkaitęs, perstumkite oro sklendės valdiklį (C, pav. 5), jei yra, į padėtį „ATIDARYTI“.

Variklio išjungimas



ISPĖJIMAS

Degalai ir jų garai yra degūs ir sprogūs. Ugnis arba sproginimas gali jus nudeginti arba užmušti.

- Neuždarykite karbiuratoriaus oro sklendės (jei yra) norėdami išjungti variklį.

1. Pasirūpinkite, kad traukos reguliatorius būtų LĒTŲ variklio apskukų padėtyje ir pasukite elektrinės užvedimo sistemos jungiklį (D, 6 pav.) į padėtį **IŠJUNGTI**.

2. Ištraukite raktą ir laikykite jį saugioje vietoje.
3. Varikliui išsijungus, degalų tiekimo išjungimo vožtuvą (A, 6 pav.) (jei sumontuotas) nustatykite į padėtį **UŽDARYTA**.

Priežiūra Priežiūros informacija



ISPĖJIMAS

Degalai ir jų garai yra degūs ir sprogūs. Ugnis arba sproginimas gali jus nudeginti arba užmušti.

Jei atliekant techninės priežiūros darbus reikia paversti įrenginį, įsitinkite, kad degalų bakas (jei sumontuotas variklyje) būtų tuščias ir kad būtų pakelta ta pusė, kurioje yra uždegimo žvakė. Jei degalų bakas netuščias, gali ištekėti degalų ir sukelti gaisrą arba sproginimą. Pavertus variklį kita linkme, jį nebus lengva paleisti, nes oro filtras ar uždegimo žvakė bus užteršti alyva ar degalais.



ISPĖJIMAS

Atsitiktinė variklio kibirkštis gali sukelti elektros smūgį, gaisrą ar sproginimą, todėl galite įsipainioti, o tai gali baigtis traumuojančia amputacija ar plėštinėmis žaizdomis.

Prieš reguliuodami ar remontuodami:

- Atjunkite visų uždegimo žvakių laidus ir laikykite juos kuo toliau nuo uždegimo žvakių.
- Atjunkite akumuliatoriaus laidą nuo neigiamo gnybto (taikytina tik varikliams su elektrine užvedimo sistema).
- Naudokite tik darbai tinkamus įrankius.

Tikrindami, ar kyla kibirkštis:

- Naudokite patvirtintą uždegimo žvakės bandiklį.
- Netikrinkite, ar kyla kibirkštis, kai uždegimo žvakė yra išimta.



ISPĖJIMAS

Keičiamos atsarginės dalys privalo būti to paties dizaino ir sumontuotos į tą pačią padėtį kaip ir originalios dalys. Naudojant kitokias dalis, galima sugadinti įrangą arba susižeisti.

PASTABA

Visos šiame variklyje panaudotos detalės turi būti savo vietose.

Naudokitės „Briggs & Stratton“ įgaliotojo techninės priežiūros atstovo teikiamomis variklio ir jo dalių serviso bei remonto paslaugomis.

Išmetamųjų dujų kontrolės techninė priežiūra

Dėl išmetimo kontrolės prietaisų ir sistemų priežiūros, keitimo arba remonto kreipkitės į ne automobilių variklių priežiūros centrą ar priežiūros techniką. Tačiau nemokamai pagal „Briggs & Stratton“ garantiją išmetimo valdymo sistemos techninės priežiūros darbus gali vykdyti tik gamintojo įgaliotasis atstovas. Žr. informaciją apie išmetimo sistemos kontrolę.

Techninės priežiūros tvarkaraštis

Po pirmųjų 5 darbo valandų
<ul style="list-style-type: none">• Pakeiskite variklio alyvą¹.
Kas 8 valandas arba kiekvieną dieną
<ul style="list-style-type: none">• Patikrinkite variklio alyvos lygį.• Nuvalykite purvą nuo duslintuvo ir valdiklių.• Išvalykite oro įsiurbimo grotelės.
Kas 25 valandas arba kasmet
<ul style="list-style-type: none">• Išvalykite oro filtrą².• Išvalykite pirminį filtrą².
Kas 50 valandų arba kasmet
<ul style="list-style-type: none">• Pakeiskite variklio alyvą³.• Pakeiskite alyvos filtrą (jei sumontuotas)³.• Atlikite išmetimo sistemos techninę priežiūrą.
Kas 100 valandų arba kas metus

<ul style="list-style-type: none"> • Pakeiskite variklio alyvą⁴. • Pakeiskite alyvos filtrą (jei sumontuotas)⁴.
kasmet
<ul style="list-style-type: none"> • Pakeiskite uždegimo žvakę. • Pakeiskite oro filtrą. • Pakeiskite priešfiltrą. • Pakeiskite degalų filtrą. • Atlikite aušinimo sistemos techninę priežiūrą¹. • Patikrinkite vožtuvo tarpą⁵.

¹ Tik varikliai be alyvos filtro.

² Dirbant dulkėtoje aplinkoje arba ore esant daug dalelių, valyti reikia dažniau.

³ Varikliai be alyvos filtro arba su standartiniu juodu alyvos filtru. Detalės numerį žr. skyriuje *Specifikacijos*.

⁴ Varikliai su didelio našumo geltonu arba oranžiniu alyvos filtru. Detalės numerį žr. skyriuje *Specifikacijos*.

⁵ Nereikia, nebent pastebite variklio veikimo trikių.

Elektroninė degalų valdymo sistema

Elektroninė degalų valdymo sistema stebi variklio temperatūrą, jo greitį ir akumuliatoriaus įtampą, kad galėtų sureguliuoti sklendę variklį užvedant ir jam išylant. Sistema nereguliuojama. Iškilus užvedimo ar naudojimo problemų, kreipkitės į „Briggs & Stratton“ įgaliotąjį techninės priežiūros atstovą.

PASTABA Griežtai vadovaukitės toliau pateiktais nurodymais, priešingu atveju galite pažeisti elektroninę degalų valdymo sistemą.

- NEBANDYKITE užvesti variklio, jei atsilaisvinę akumuliatoriaus laidai.
- Prieš prijungdami / atjungdami užvedimo arba akumuliatoriaus kabelius, pasukite užvedimo jungiklį į padėtį „IŠJUNGTI“. Akumuliatoriaus įkrovimo metu užvedimo jungiklis turi būti padėtyje „IŠJUNGTI“.
- Norėdami atjungti akumuliatoriaus kabelius, pirmiausia atjunkite neigiamo poliaus (-) kabelį, o tada teigiamo (+). Norėdami prijungti akumuliatoriaus kabelius, pirmiausia prijunkite teigiamo poliaus (+) kabelį, o tada neigiamo (-).
- NENAUDOKITE akumuliatoriaus įkroviklio varikliui užvesti.
- NEATJUNKITE akumuliatoriaus laidų varikliui veikiant.
- NEPURKŠKITE vandens tiesiogiai ant elektroninio valdiklio elemento.

Karbiuratorius ir variklio greitis

Nekeiskite karbiuratoriaus, reguliatoriaus spyruoklės, jungčių arba kitų dalių, norėdami sureguliuoti variklio greitį. Jeigu reikia pareguliuoti, dėl techninės priežiūros kreipkitės į „Briggs & Stratton“ įgaliotąjį techninės priežiūros atstovą.

PASTABA

Įrangos gamintojas nustato variklio maksimalų greitį pagal įrangą, kurioje jis yra sumontuotas. Neviršykite šio greičio. Jeigu nesate tikri, koks įrangos maksimalus greitis arba koks variklio greitis yra nustatytas gamykloje, susisiekite su „Briggs & Stratton“ įgaliotuoju techninės priežiūros atstovu. Kad įrangą veiktų saugiai ir tinkamai, variklio greitį turi reguliuoti tik kvalifikuotas techninės priežiūros specialistas.

Išmetimo ir aušinimo sistemų techninė priežiūra



ĮSPĖJIMAS

Eksplotavimo metu variklis ir duslintuvas įkaista. Palietus karštą variklį, galima nusideginti.

Degios medžiagos, pavyzdžiui, lapai, žolė, krūmai ir kt., gali užsiliepsnoti.

- Prieš liedsdami variklį ar duslintuvą, išjunkite variklį ir palaukite dvi (2) minutes. Įsitinkite, kad saugu liesti variklį ir duslintuvą.
- Pašalinkite nešvarumus nuo duslintuvo ir variklio.

Kalifornijos valstybinių išteklių kodekso 4442 skyrius draudžia naudoti šį variklį mišku, krūmynais ar žole dengtose vietose, jei variklio išmetimo sistemoje neįrengtas kibirkščių gaudiklis, atitinkantis 4442 skyriaus reikalavimus ir yra tinkamas naudoti. Kitose valstijose arba federalinėse jurisdikcijose gali galioti analogiški įstatymai; žr. Federalinį reglamentą 36 CFR, 261.52 punktą. Kreipkitės į originalios įrangos gamintoją, platintoją ar atstovą, kad išgytumėte kibirkščių gaudiklį, pritaikytą jūsų išmetimo sistemai, įrengtai variklyje.

Šis variklis yra aušinamas oru. Purvas arba pašalinės medžiagos gali užkimšti oro aušinimo sistemą ir variklis gali perkaisti. Dėl to variklis veiks netinkamai ir sutrumpės jo naudojimo laikas. Cilindro aušinimo briaunos gali pašalinti šias nepageidaujamas medžiagas, kurių neįmanoma pašalinti iš dalies neišardžius variklio. Parodykite variklį

įgaliotajam „Briggs & Stratton“ techninės priežiūros atstovui oro aušinimo sistemos patikrai ir išvalymui. Žr. **Techninės priežiūros grafika**.

1. Įsitinkite, kad aplink duslintuvą ir už jo nėra degių medžiagų.
2. Šepečiu arba sausu audeklu nuo ventiliatoriaus korpuso dangčio ir cilindro nuvalykite visas pašalines medžiagas. NEŠLAPINKITE variklio.
3. Įsitinkite, kad jungtys, spyruoklės ir valdikliai yra švarūs.
4. Apžiūrėkite duslintuvą – ant jo neturi būti iškilimų, rūdžių arba kitų pažeidimų.
5. Nuimkite duslintuvo kreiptuvą arba kibirkščių slopintuvą (jei sumontuotas) ir apžiūrėkite, ar nėra pažeistas ir užsikimšęs suodžiais. Prieš naudodami įrangą išvalykite ir sumontuokite keičiamąsias dalis.
6. Pasirūpinkite, kad alyvos aušintuvo briaunos (jei yra) būtų švarios.

Uždegimo žvakės techninė priežiūra

Patikrinkite tarpelį (pav. 7, A) naudodami vielinį matuoklį (B). Jeigu reikia, sureguliuokite uždegimo žvakės tarpelį. Įsukite ir priveržkite uždegimo žvakę nurodytu sukimo momentu. Tarpelis ir sukimo momentas nurodyti skyriuje **Specifikacijos**.

Variklio alyvos keitimas



ĮSPĖJIMAS

Degalai ir jų garai yra degūs ir sprogūs. Ugnis arba sproginimas gali jus nudeginti arba užmušti.

Eksplotavimo metu variklis ir duslintuvas įkaista. Palietus karštą variklį, galima nusideginti.

- Išleidžiant alyvą iš viršutinio įpylimo vamzdelio, degalų bakas privalo būti tuščias. Jei jis netuščias, gali ištekti degalų ir sukelti gaisrą arba sproginimą.
- Prieš liedsdami variklį ar duslintuvą, išjunkite variklį ir palaukite dvi (2) minutes. Įsitinkite, kad saugu liesti variklį ir duslintuvą.

Panaudota, sena alyva yra pavojingos atliekos, kurias reikia tinkamai šalinti. Jos negalima šalinti kartu su buitinėmis atliekomis. Dėl saugaus išmetimo tausojant aplinką kreipkitės į vietos valdžios institucijas, techninės priežiūros centrą arba atstovą.

Alyvos išpylimas

1. IŠJUNKITE variklį ir, kol jis neatvėso, atjunkite uždegimo žvakės laidą (-us) (D, 8 pav.); laikykite jį toliau nuo uždegimo žvakių (E).
2. Išimkite alyvos lygio matuoklį (9 pav., A).

Alyvos išleidimo angos kamštis, jei sumontuotas

1. Išsukite alyvos išleidimo kaištį (10 pav., F). Išpilkite alyvą į tinkamą indą.

PASTABA: Variklyje gali būti sumontuoti alyvos išleidimo angos kamščiai (G, 10 pav.).

2. Išleidę alyvą, įstatykite ir užsukite alyvos išleidimo kamštį (F, 10 pav.).

Greito alyvos išleidimo sistema, jei sumontuota

1. Atjunkite greito alyvos išleidimo žarną (H, 11 pav.) nuo variklio šono.
2. Paverskite ir nuimkite alyvos išpylimo dangtelį (I, 11 pav.). Atsargiai nuleiskite alyvos išleidimo žarnelę (H) į tinkamą indą (J).
3. Išleidę alyvą, įstatykite greito alyvos išleidimo dangtelį (I, 11 pav.). Prijunkite greito alyvos išleidimo žarną (H) prie variklio šono.

Alyvos įpylimas

- Įsitinkite, kad variklis yra horizontalus.
- Nuvalykite purvą nuo paviršių aplink alyvos pripildymo angą.
- Duomenis apie alyvos talpą rasite skyriuje **Specifikacijos**.

1. Išimkite alyvos lygio matuoklį (3 pav., A). Švaria šluoste nuvalykite alyvą nuo alyvos lygio matuoklio.
2. Lėtai įpilkite alyvos į variklį per alyvos įpylimo angą (3 pav., C). **Nepilkite per daug alyvos į variklio alyvos įpylimo vamzdelį.** Palaukite vieną minutę ir patikrinkite alyvos lygį.

PASTABA: Nepilkite alyvos per greitojo alyvos išleidimo angą, jei sumontuota.

3. Įstatykite ir priveržkite lygio matuoklį (3 pav., A).
4. Ištraukite matuoklį ir patikrinkite alyvos lygį. Alyvos lygis turi sutapti su matuoklio pilno bako žyma (3 pav., B).
5. Įstatykite ir priveržkite lygio matuoklį (3 pav., A).
6. Prie uždegimo žvakės (-ių) prijunkite uždegimo žvakių laidą (-us). Žr. skyriuje **Alyvos išleidimas**.

Alyvos filtro keitimas

1. Išleiskite iš variklio alyvą. Žr. skyrių **Išpilkite alyvą**.
2. Nuimkite alyvos filtrą (12 pav., H) ir tinkamai utilizuokite.
3. Prieš įdėdami naują alyvos filtrą, šiek tiek patepkite alyvos filtro tarpiklį švaria alyva.
4. Įsukite alyvos filtrą taip, kad filtro tarpinė prisiliestų prie alyvos filtro adapterio, tada dar paveržkite alyvos filtrą nuo 1/2 iki 3/4 apsisukimo.
5. Papildykite alyvos. Žr. skyrių **Alyvos papildymas**.
6. Paleiskite variklį ir leiskite jam veikti. Varikliui išilus, patikrinkite, ar nelaša alyva.
7. Išjunkite variklį. Pasirūpinkite, kad alyvos lygis siektų viršutinę alyvos lygio matuoklio žymą. Žr. skyrių **Alyvos papildymas**.

Oro filtro techninė priežiūra

ĮSPĖJIMAS

Degalų garai yra degūs ir sprogūs. Ugnis arba sproginimas gali jus nudeginti arba užmušti.

- Nepaleiskite ir nenaudokite variklio be oro valymo bloko (jei yra) arba oro filtro (jei yra).

PASTABA

Nevalykite filtro suslėgtu oru arba tirpikliais. Suslėgtas oras gali sugadinti filtrą, o tirpikliai gali jį ištirpinti.

Informacijos apie priežiūros reikalavimus ieškokite **Techninės priežiūros grafike**.

Skirtinguose modeliuose naudojamas poroloninis arba popierinis filtras. Tam tikruose modeliuose gali būti pasirenkamas pirminis filtras, kurį galima išplauti ir panaudoti dar kartą. Palyginkite paveikslus šiame vadove su jūsų variklyje įdiegtu tipu ir atitinkamai atlikite techninę priežiūrą.

Popierinis oro filtras (su pirminio valymo filtru)

1. Atlaisvinkite fiksatorių (-ius) (A, 13 pav.).
2. Išimkite oro filtro dangtelį (B, 13 pav.).
3. Nuimkite filtrą (C, 13 pav.) ir pirminio valymo filtrą (D), jei sumontuotas.
4. Jei norite pašalinti nepageidaujamas medžiagas, atsargiai pastuksenkite oro filtrą į kietą paviršių. Jeigu filtras yra stipriai užterštas, pakeiskite jį nauju.
5. Skysta plovimo priemone ir vandeniu nuplaukite pirminio valymo filtrą (F, 13 pav.), jei sumontuotas. Palikite pirminį filtrą visiškai išdžiūti ore. **NETEPKITE** pirminio valymo filtro.
6. Pritvirtinkite sausą pirminio valymo filtrą (D, 13 pav.), jei sumontuotas, ir filtrą (C) prie oro filtro pagrindo (E).
7. Uždėkite oro filtro dangtelį (B, 13 pav.) ir pritvirtinkite fiksatoriumi (-iais) (A). Patikrinkite, ar fiksatorius (-iai) yra tvirtai užveržtas (-i).

Oro filtro blokas (kasetė su priešfiltru)

1. Atlaisvinkite fiksatorių (-ius) (A, 14, 15 pav.).
2. Išimkite oro filtro dangtelį (B, 14, 15 pav.).
3. Norėdami nuimti oro filtrą (C, 14, 15 pav.), pakelkite filtro galą.
4. Jei norite pašalinti nepageidaujamas medžiagas, atsargiai pastuksenkite oro filtrą į kietą paviršių. Jeigu filtras yra stipriai užterštas, pakeiskite jį nauju.
5. Išimkite pirminio valymo filtrą (D, 14, 15 pav.) iš filtro (C).
6. Nuplaukite pirminio valymo filtrą (D, 14, 15 pav.) skysta plovimo priemone ir vandeniu. Palikite pirminį filtrą visiškai išdžiūti ore. **NETEPKITE** pirminio valymo filtro.
7. Įmontuokite sausą pirminio valymo filtrą (D, 14, 15 pav.), jei sumontuotas, į filtrą.
8. Įstatykite filtrą (C, 14, 15 pav.) ir pirminio valymo filtrą (D), jei sumontuoti, į atraminį filtro pagrindą (E) ir stumkite žemyn, kol išgirsite spragtelėjimą.
9. Uždėkite oro filtro dangtelį (B, 14, 15 pav.) ir pritvirtinkite fiksatoriumi (-iais) (A). Patikrinkite, ar fiksatorius (-iai) yra tvirtai užveržtas (-i).

Atlikite degalų sistemos techninę priežiūrą

ĮSPĖJIMAS

Degalai ir jų garai yra degūs ir sprogūs. Ugnis arba sproginimas gali jus nudeginti arba užmušti.

- Saugokite degalus nuo kibirkščių, atviros ugnies, nuolat įjungtų dujų degiklių, šilumos ir kitų uždegimo šaltinių.
- Dažnai tikrinkite, ar degalų žarnos, degalų bakas, degalų dangtelis ir jungtys neįtrūkė ir neprateka. Pakeiskite apgadintas detales.
- Jeigu išsilietų degalai, prieš paleisdami variklį palaukite, kol jie išgaruos.

Degalų filtras, jei sumontuotas

1. Prieš keisdami degalų filtrą (A, pav. 16), išpilkite degalus iš bako arba uždarykite degalų sklendę. Jei neištuštinsite degalų bako, degalai gali ištekėti ir sukelti gaisrą arba sproginimą.
2. Replėmis suspauskite gnybtų (C) fiksatorius (B, pav. 16) ir nuimkite gnybtus nuo degalų filtro (A).
3. Pasukite ir ištraukite degalų žarnas (D, pav. 16) nuo degalų filtro.
4. Patikrinkite, ar neįtrūkė ir sandarūs degalų vamzdeliai (D, pav. 16). Jei reikia, pakeiskite degalų žarnas.
5. Pakeiskite degalų filtrą (A, pav. 16).
6. Pritvirtinkite prie gnybtų (C, pav. 16) degalų vamzdelius (D).

Laikymas

Degalų sistema

Žr. 17 pav.:

ĮSPĖJIMAS

Degalai ir jų garai yra degūs ir sprogūs. Ugnis arba sproginimas gali jus nudeginti arba užmušti.

Degalų laikymas

- Atviri dujų degikliai ar kiti uždegimo šaltiniai gali sukelti sproginimus, todėl degalus ar įrangą laikykite atokiau nuo krosnių, viryklių, vandens šildytuvų ar kitų buitinių prietaisų su atvirais dujų degikliais.

Laikykite variklį horizontaliai (įprastoje darbinėje padėtyje). Į degalų baką (A, 17 pav.) pripilkite degalų. Nepilkite degalų daugiau nei iki bako kaklelio (B).

Ilgiau nei 30 dienų bake laikomi degalai gali pasenti. Rekomenduojame į degalų baką įpilti kuro stabilizatoriaus (be alkoholio) ir etanolio, kad degalai išliktų švieži ir jų savybės nepakistų.

Pildami į baką degalus, įpilkite ir degalų stabilizatoriaus (be alkoholio), kaip nurodyta gamintojo instrukcijoje. Jeigu į benzinaž variklyje nebuvo įpilta degalų stabilizatoriaus, išpilkite benzinaž į tinkamą indą. Laikykite variklį įjungtą, kol pasibaigs degalai.

Variklio alyva

Keiskite variklio alyvą, kol variklis yra šiltas. Žr. skyrių **Variklio alyvos keitimas**.

Trikčių šalinimas

Pagalba

Dėl pagalbos kreipkitės į vietinį pardavimo atstovą, apsilankykite **BRIGGSandSTRATTON.COM** arba skambinkite **1-800-444-7774** (JAV).

Specifikacija ir atsarginės dalys

Specifikacijos	Modelis: 400000	Modelis: 440000
Variklio tūris	40.03 col. ³ (656 cm ³)	44.18 col. ³ (724 cm ³)
Cilindro skersmuo	2.970 col. (75,43 mm)	3.120 col. (79,24 mm)
Stūmoklio eiga	2.890 col. (73,41 mm)	2.890 col. (73,41 mm)
Alyvos talpa	62 - 64 unc. (1,8 - 1,9 l)	62 - 64 unc. (1,8 - 1,9 l)
Uždegimo žvakės tarpelis	.030 col. (.76 mm)	.030 col. (.76 mm)
Uždegimo žvakės sukimo momentas	180 lb-in (180 Nm)	180 lb-in (20 Nm)
Oro tarpelis tarp indukcinės ritės / smagračio	.008 - .012 col. (.20 - .30 mm)	.008 - .012 col. (.20 - .30 mm)
Įsiurbimo vožtuvo tarpelis	.004 - .006 col. (.10 - .15 mm)	.004 - .006 col. (.10 - .15 mm)
Išmetimo vožtuvo tarpelis	.004 - .006 col. (.10 - .15 mm)	.004 - .006 col. (.10 - .15 mm)

Specifikacijos	Modelis: 490000
Variklio tūris	49.42 col. ³ (810 cm ³)
Cilindro skersmuo	3.300 col. (83,81 mm)
Stūmoklio eiga	2.890 col. (73,41 mm)
Alyvos talpa	66 - 68 unc. (1,9 - 2,0 l)
Uždegimo žvakės tarpelis	.030 col. (.76 mm)
Uždegimo žvakės sukimo momentas	180 sv.-col. (180 Nm)

Specifikacijos	Modelis: 490000
Oro tarpelis tarp indukcinės ritės / smagračio	.008 - .012 col. (.20 - .30 mm)
Išsiurbimo vožtuvo tarpelis	.004 - .006 col. (.10 - .15 mm)
Išmetimo vožtuvo tarpelis	.004 - .006 col. (.10 - .15 mm)

Techninės priežiūros dalys

Norėdami įsigyti „Briggs & Stratton“ techninės priežiūros dalių, suraskite įgaliotąjį techninės priežiūros atstovą adresu BRIGGSandSTRATTON.COM. Jums reikės nurodyti savo identifikacijos numerį (modelis, tipas, partijos numeris). Norėdami surasti savo variklio identifikacijos numerį, žr. skyrių **Funkcijos ir valdikliai**.

Galios kategorijos

Pavienių benzinių variklių modelių bendrosios galios dydžiai pažymėti pagal SAE (Automobilių inžinierių bendrija) standartą Nr. J1940 „Mažų variklių galios ir sukimo momento įvertinimo procedūra“ ir įvertinami pagal SAE standartą Nr. J1995. Sukimo momento vertės nustatytos esant 2 600 APM tiems varikliams, kurių ženklinio etiketėje nurodyta išnaša „apm“, o visiems kitiems varikliams – esant 3 060 APM; arklio galios vertės nustatytos esant 3 600 APM. Bendrosios galios kreives galima peržiūrėti adresu www.BRIGGSandSTRATTON.COM. Realūs galios dydžiai nustatyti sumontavus išmetimo ir oro valymo filtrus, o bendrieji galios dydžiai nustatyti be šių priedų. Faktinis bendrasis variklio galingumas yra didesnis nei realusis variklio galingumas, ir, be kitų dalykų, jį veikia darbo aplinkos sąlygos, be to, galingumas priklauso ir nuo pavienių variklių įvairovės. Atsižvelgiant į įvairius gaminius, kuriuose montuojami varikliai, benzininis variklis, sumontuotas elektriniame įrenginyje, neišvystys numatytos bendrosios galios. Šis skirtumas atsiranda dėl įvairių veiksnių, įskaitant, bet neapsiribojant įvairiomis variklio sudedamosiomis dalimis (oro valymo, išmetimo, krovimo, aušinimo, karbiuratoriaus, degalų filtro ir pan.), naudojimo apribojimais, darbinės aplinkos sąlygomis (temperatūra, drėgnumas, aukščiau virš jūros lygio) ir įvairių variklių variantiškumu. Dėl gamybos ir pajėgumo apribojimų Briggs & Stratton gali pakeisti variklį galingesniu šios klasės varikliu.

Garantija

„Briggs & Stratton“[®] variklio garantija

įsigalioja 2022 m. gruodžio mėn.

Ribotoji garantija

Bendrovė „Briggs & Stratton“ garantuoja, kad toliau nurodytu garantiniu laikotarpiu vien tik savo nuožūra nemokamai sutaisys bet kokią šio gaminio dalį su medžiagų ir (arba) gamybos defektais arba ją pakeis nauja, atnaujinta arba suremontuota dalimi. Transporto išlaidas už detalių, skirtų remontui ar pakeitimui, pristatymą, vadovaujantis šia garantija, apmoka pirkėjas. Ši garantija galioja toliau nurodytą laikotarpį, esant toliau nurodytoms sąlygoms. Norėdami pasinaudoti garantinės priežiūros paslaugomis, raskite artimiausią įgaliotąjį techninės priežiūros atstovą mūsų atstovybių žemėlapyje adresu BRIGGSandSTRATTON.COM. Pirkėjas privalo kreiptis į įgaliotąjį techninės priežiūros atstovą, o tada pristatyti gaminį įgaliotajam techninės priežiūros atstovui apžiūrėti ir patikrinti.

Jokių kitų garantijų nesuteikiama. Numanomos garantijos, įskaitant tinkamumo konkrečiam tikslui garantijas, galioja vienus metus nuo pirkimo datos arba tiek, kiek leidžiama pagal įstatymus. Visos kitos numanomos garantijos nesuteikiamos. Atsakomybės už atsitiktinę ar pasekinę žalą atsisakoma tiek, kiek tai leidžiama pagal įstatymus. Tam tikrose valstybėse apribojimai dėl numanomos garantijos draudžiamai arba draudžiamos išimties arba apribojimai dėl atsitiktinės arba pasekinės žalos, taigi pirmiau minėtas apribojimas arba išimtis jums gali negaloti. Ši garantija suteikia jums konkrečių juridinių teisių, tačiau jūs galite turėti ir kitokių teisių, kurios įvairiose valstybose ir šalyse gali skirtis.

Standartinės garantijos sąlygos^{1, 2}

„Vanguard“[®]; komercinės paskirties serija
Asmeninis naudojimas – 36 mėnesiai
Komercinis naudojimas – 36 mėnesiai
XR serija
Asmeninis naudojimas – 24 mėnesiai
Komercinis naudojimas – 24 mėnesiai
Visi kiti varikliai su „Dura-Bore“[™] ketaus įvorėmis
Asmeninis naudojimas – 24 mėnesiai
Komercinis naudojimas – 12 mėnesių
Visi kiti varikliai
Asmeninis naudojimas – 24 mėnesiai
Komercinis naudojimas – 3 mėnesiai

¹ Šie garantijos terminai yra standartiniai, kartkartėmis jie gali būti papildyti arba pakeisti nurodant papildomas sąlygas, kurios nebuvo pateiktos leidimo metu. Norėdami sužinoti naujausią informaciją apie jūsų variklio garantijos sąlygas, apsilankykite tinklalapyje BRIGGSandSTRATTON.com arba susisiekite su artimiausiu „Briggs & Stratton“ įgaliotuoju techninės priežiūros atstovu.

² Garantija nesuteikiama varikliams, sumontuotiems įrangoje, kuri naudojama energijai tiekti darbo vietose; komerciniais tikslais naudojamuose pagalbinuose generatoriuose, universaliose transporto priemonėse, viršijančiose 25 MPH, arba varikliams, naudojamiems sportinėms varžyboms ir lenktynėms, arba komerciniuose bei nuomojamuose automobiliuose.

* Australijoje mūsų prekės parduodamos su garantijomis, kurių negalima netaikyti pagal Australijos vartotojų teisių įstatymą. Jūs turite teisę į gaminio pakeitimą arba pinigų grąžinimą rimto gedimo atveju arba atlyginimą už bet kokią pagrįstai iš anksto numatomą žalą arba nuostolius. Jūs taip pat turite teisę reikalauti, kad prekės būtų suremontuotos arba pakeistos tuo atveju, jeigu prekės yra nepriimtinos kokybės, o gedimas negali būti priskiriamas dideliu gedimui. Norėdami pasinaudoti garantinės priežiūros paslaugomis, raskite artimiausią įgaliotąjį techninės priežiūros atstovą mūsų atstovybių žemėlapyje adresu BRIGGSandSTRATTON.COM arba skambinkite tel. 1300 274 447, arba rašykite el. pašto adresu salesenquiries@briggsandstratton.com.au, arba rašykite įprasto pašto adresu Briggs & Stratton Australia Pty Ltd, 1 Moorebank Avenue, Moorebank, NSW, Australia (Australija), 2170.

Garantinis laikotarpis skaičiuojamas nuo pirkimo datos, kai gaminį nusiperka pirmas mažmenininkas arba galutinis komercinis vartotojas, ir galioja pirmiau lentelėje nurodytą laikotarpį. „Asmeninis naudojimas“ reiškia naudojimą asmeniniame gyvenamajame ūkyje, kai gaminį naudoja mažmeninis vartotojas. „Komercinis naudojimas“ reiškia naudojimą visais kitais tikslais, įskaitant komercinius, pajamų gavimo ar nuomos tikslus. Jeigu variklis buvo nors vieną kartą panaudotas komerciniais tikslais, jis bus priskirtas komercijos tikslais naudojamų variklių kategorijai ir jam bus taikoma atitinkama garantija.

Norint pasinaudoti „Briggs & Stratton“ ženklui gaminiais taikoma garantija, nereikia jokios garantijos registracijos. Išsaugokite pirkimą patvirtinantį čekį. Jeigu garantinio laikotarpio metu, kai jums prireiks garantinių paslaugų, nepateiksite čekio, įrodančio pirmo pirkimo datą, garantinis laikotarpis bus skaičiuojamas nuo gaminio pagaminimo datos.

Dėl Jūsų garantijos

Šie garantiniai įsipareigojimai galioja tik su varikliu susijusioms nekokybiškoms medžiagoms ir (arba) darbams, o ne įrangos, kurioje variklis sumontuotas, keitimui ar jos kainos grąžinimui. Ši garantija netaikoma planinei techninei priežiūrai, suderinimui, reguliavimui arba įprastam susidėvimui. Taip pat garantija netaikoma, jeigu variklis buvo pakeistas ar perdarytas, arba jeigu variklio serijos numeris buvo pažeistas arba pašalintas. Ši garantija netaikoma variklio gedimams arba veikimo problemoms, atsiradusioms dėl:

- neoriginalių Briggs & Stratton
- dėl variklio veikimo esant nepakankamam arba užterštam tepimui arba dėl netinkamo alyvos lygio;
- pasenusių degalų ar tokių, kurių sudėtyje yra daugiau negu 10 proc. etanolio, arba kitos rūšies degalų, pvz., suskystintų naftos produktų ar gamtinių dujų, kurie nėra tinkami varikliams; sukurtiems arba pagamintiems Briggs & Stratton, naudojimo;
- patekusio į variklį purvo dėl netinkamos oro filtro techninės priežiūros arba sumontavimo;
- vejapjovės ašmens susidūrimo su objektu, atlaisvinusių arba neteisingai sumontuotų ašmens adapterių, skriemulių arba alkūninio sujungimo dalių, arba pernelyg įtempto diržo;
- susijusių dalių ar blokų, tokių kaip sankabos, transmisija, valdymo svirtys ir pan., kurių netiekia Briggs & Stratton;
- perkaitinimo, kuris įvyko žolei, purvui patekus ant variklio ir užteršus aušinimo briaunas ir oro angas; ar dėl pažeidimo, kuris buvo padarytas varikliui veikiant be pakankamo aušinimo;
- papildomos didelės vibracijos, kuri atsirado dėl atsilaisvinusių variklio tvirtinimų, pjovimo peilių, nebalansuotų skriemulių, netinkamai sujungtų dalių su variklio korpusu arba per didelio greičio;
- dėl netinkamo įrangos naudojimo, nesant reikiamos priežiūros, transportavimo, saugojimo arba netinkamo variklio sumontavimo.

Garantinį servisą atlieka tik įgaliotieji Briggs & Stratton techninės priežiūros atstovai. Raskite artimiausią įgaliotąjį techninės priežiūros atstovą mūsų atstovybių paieškos žemėlapyje adresu BRIGGSandSTRATTON.COM arba paskambinę telefonu 1-800-444-7774 (JAV).

80114782 (A versija)

Vispārīga informācija



Šajā rokasgrāmatā tiek sniegta drošības informācija par bīstamību un riskiem, kuri pastāv saistībā ar šo dzinēju, un, kā tos novērst. Tā arī satur instrukcijas dzinēja pareizai lietošanai un apkopei. Ir ļoti svarīgi, lai jūs izlasītu, saprastu un izpildītu šos norādījumus. **Saglabājiet šo rokasgrāmatu turpmākai atsaucei.**

PIEZĪME: Visi attēli un apzīmējumi šajā rokasgrāmatā ir tikai informācijai, un var atšķirties no jūsu modeļa. Izmantojiet attēlus, kas atbilst jūsu dzinēja konfigurācijai. Ja nepieciešams, runājiet ar autorizētu servisa pārstāvi.

Pierakstiet iegādes datumu, dzinēja modeli, tipu, apdari un dzinēja sērijas numuru, lai varētu iegādāties rezerves daļas. Šie numuri ir uz jūsu dzinēja. Skatīt sadaļu **Funkcijas un vadības ierīces**.

Pirkuma datums	
Dzinēja modelis - Tips - Koda numurs	
Motora sērijas numurs	

Eiropas biroja kontaktinformācija

Par jautājumiem, kas saistīti ar emisijām Eiropā, sazināties ar mūsu Eiropas biroju, kura adrese ir:

Max-Born-Straße 2, 68519 Viernheim, Vācija.

Eiropas Savienība (ES) V (5.) posms: Oglekļa dioksīda (CO2) vērtības

Meklēšanas lodziņā vietnē BriggsandStratton.com ievadiet CO2, lai atrastu Briggs & Stratton ES tipa apstiprinājuma sertifikāta motoru oglekļa dioksīda vērtības.

Operatora drošība

Drošības brīdinājuma zīmes un signālvārdi



Drošības brīdinājuma simbols tiek lietots, lai norādītu uz drošības informāciju par riskiem, kas varētu izraisīt traumas. Signālvārdi (**BĪSTAMI**, **BRĪDINĀJUMS** vai **PIESARDZĪGI**) tiek izmantoti, lai pievērstu uzmanību, ka pastāv attiecīgas bīstamības traumas risks. Papildus tiek izmantota arī apdraudējuma zīme attiecīgas apdraudējuma pakāpes apzīmēšanai.

BĪSTAMI norāda uz apdraudējumu, kurš, ja no tā neizvairīsies, **izraisīs** nāvi vai nopietnu ievainojumu.

BRĪDINĀJUMS norāda uz apdraudējumu, kurš, ja no tā neizvairīsies, **var izraisīt** nāvi vai nopietnu ievainojumu.

PIESARDZĪBU norāda uz risku, kas gadījumā, ja netiek novērsts, **var būt vieglu vai vidēji smagu ievainojumu cēlonis**.

IEVĒRĪBAI norāda informāciju, kas tiek uzskatīta par svarīgu, taču nav saistīta ar risku.

Bīstamības simboli un to nozīme

	Drošības informācija par bīstamām situācijām, kuru rezultātā var būt miesas bojājumus.		Pirms sākat strādāt ar šo iekārtu vai tās apkopi, uzmanīgi izlasiet un izprotiet šo operatora rokasgrāmatu.
	Ugunsbīstamība		Sprādziena bīstamība
	Trieciena apdraudējums		Toksisku dūmu bīstamība
	Karstas virsmas bīstamība		Atsietena apdraudējums

Amputācijas apdraudējums
– kustīgas daļas



Degvielas līmenis –
maksimums
Nepārpildīt tvertni

Drošības paziņojumi



BRĪDINĀJUMS

Briggs & Stratton® motori nav paredzēti turpmāk norādītajai lietošanai un tos nedrīkst lietot, lai darbinātu izpriecu kartingus, gokartus, bērnu, atpūtas vai sporta bezceļu transportlīdzekļus (ATV), motociklus, transportlīdzekļus ar gaisa spilvenu, lidojošas iekārtas vai transportlīdzekļus, kurus izmanto sacensībās, ko nav sankcionējis Briggs & Stratton. Papildu informācijai par auto sacensību produktiem, skatīt www.briggsracing.com. Lietošanai ar apvidus automašīnām un paralēlo rindu apvidus automašīnām, lūdzu sazinieties ar Briggs & Stratton Power Application Center, 1-866-927-3349. Nepareiza motora lietošana var izraisīt smagas traumas vai nāvi.

Otrreizējās pārstrādes informācija



Pārstrādāt visus kartona iepakojumus, kastes, atstrādāto eļļu un akumulatorus, kā norādīts saistošajos noteikumos.

Funkcijas un vadības ierīces

Motora vadības elementi

Saīfdziniet marķējuma burtus attēlos 1 un 2 ar motora vadības ierīcēm turpmākajā sarakstā.

- Dzinēja identifikācijas numuri **Modelis - Veids - Kods**
- Aizdedzes svece
- Gaisa filtrs
- Mērstienis
- Eļļas iztecināšanas aizbāznis
- Pūtēja korpusa pārsegs
- Eļļas filtrs
- Elektriskais starteris
- Karburators
- Degvielas filtrs (ja uzstādīts)
- Degvielas sūknis (ja uzstādīts)
- Eļļas ātrā izlaidšana (ja uzstādīta)
- Eļļas dzesētājs (ja uzstādīts)
- Elektriskais vadības bloks (ja uzstādīts)

Dzinēja vadības simboli un to nozīme

	Motora ātrums – ĀTRI		Motora ātrums – LĒNI
	Motora ātrums – APTURĒT		IESLĒGTS/IZSLĒGTS
	Dzinēja palaišana Drosele CIET		Dzinēja palaišana Drosele ATVĒRTA
	Degvielas iepildes vāciņš Degvielas slēgvārsts ATVĒRTS		Degvielas slēgvārsts CIET

Ekspluatācija



BRĪDINĀJUMS

Degvielas tvaiki ir uzliesmojoši un sprādzienbīstami. Aizdeģšanās vai sprādziens varētu izraisīt apdegumus vai nāvi.

Ja saozāt gāzi

- Neiedarbināt motoru.
- Neieslēgt elektriskos slēdžus.
- Nelietot tālruni darba vietas tuvumā.
- Atstājiet šo vietu.
- Sazinieties ar ugunsdzēsējiem.

Kad strādājat ar iekārtu

- Nesagāzt motoru vai iekārtu tādā leņķī, kas izraisa degvielas izlišanu.

Kad pārvietojat iekārtu

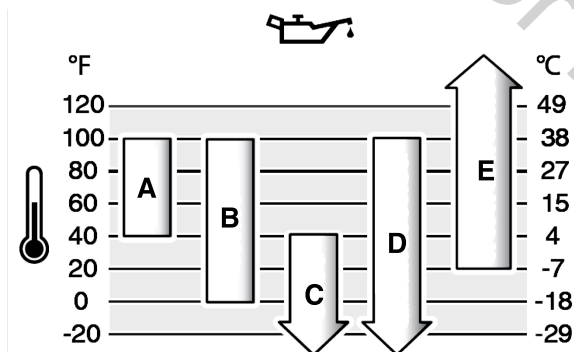
- Pārlicināties, ka degvielas tvertne ir TUKŠA vai degvielas slēgvārsts, ja uzstādīts, ir pozīcijā AIZVĒRTS.

Ar eļļu saistītie ieteikumi

Eļļas ietilpība: Skatīt sadaļu *Specifikācijas*.

Vislabākajam sniegunam mēs iesakām lietot Briggs & Stratton® garantijas prasībām atbilstošas sertificētās eļļas. Atļauts lietot citas augstas kvalitātes eļļas ar mazgājošām piedevām, ja eļļas servisa klase ir SF, SG, SH, SJ vai augstāka. Neizmantojiet speciālās piedevas.

Izmantojiet tabulu, lai izvēlētos labāko viskozitāti paredzamajam ārējai temperatūras diapazonam. Ar 5W-30 sintētisko eļļu labi strādā dzinēji vairumam iekārtu, kas paredzētas darbam ārpus telpām. Iekārtām, kas darbojas augstā temperatūrā, vislabāko aizsardzību nodrošina Vanguard® 15W-50 sintētiskā eļļa.



A	SAE 30 – SAE 30 lietošana zem 40 °F (4 °C) apgrūtinās iedarbināšanu.
B	10W-30 – 10W-30 lietošana virs 80 °F (27 °C) var palielināt eļļas patēriņu. Bieži pārbaudiet eļļas līmeni.
C	5W-30
D	Sintētiskā 5W-30
E	Vanguard® sintētiskā 15W-50

Pārbaudiet eļļas līmeni

Pirms pārbaudāt vai pieļējat eļļu

- Pārlicināties, ka dzinējs ir horizontāli.
- Attīrīt eļļas uzpildes zonu no gružiem.
- Skatīt eļļas uzpildes daudzumu sadaļā *Specifikācijas*.

IEVĒRĪBAI

Šis dzinējs tiek piegādāts no Briggs & Stratton bez eļļas. Iekārtas ražotāji vai izplatītāji var būt pieliejuši motoram eļļu. Pirms pirmo reizi iedarbināt motoru pārlicināties, ka eļļa ir pareizā līmenī. Pievienot eļļu, kā norādīts šīs rokasgrāmatas instrukcijās. Ja iedarbināt motoru bez eļļas, motors tiks sabojāts un to nevarēs labot, izmantojot garantiju.

1. Izņemt mērstieni (A, attēls 3) un noslaukiet ar drānu.
2. Ievietojiet atpakaļ un pievelciet mērstieni (A, attēls 3)
3. Izņemiet mērstieni un pārbaudiet eļļas līmeni. Pārlicināties, ka eļļas līmenis ir pilnās tvertnes indikatora augšpusē (B, attēls 3) uz mērstieņa.
4. Ja eļļas līmenis ir zems, lēnām pieļējat eļļu motoreļļas iepildīšanas atverē (C, attēls 3). Neieliet pārāk daudz eļļas.
5. Pēc eļļas ielešanas, pagaidiet vienu minūti un tad pārbaudiet eļļas līmeni. Pārlicināties, ka eļļas līmenis ir pareizs.

6. Ievietojiet atpakaļ un pievelciet mērstieni (A, attēls 3)

Zema eļļas līmeņa aizsardzības sistēma (ja uzstādīta)

Dažiem motoriem ir uzstādīts zema eļļas līmeņa sensors. Ja eļļas līmenis būs zems, sensors rādīs brīdinājumu gaismu vai apturēs dzinēju. Apturiet dzinēju un veiciet norādītās darbības pirms iedarbināt dzinēju.

- Pārlicināties, ka dzinējs ir horizontāli.
- Veikt eļļas pārbaudi. Skatīt sadaļu *Pārbaudiet eļļas līmeni*.
- Ja eļļas līmenis ir zems, pievienot pareizu eļļas daudzumu. Iedarbiniet dzinēju un pārlicināties, ka neiedegas brīdinājuma gaismas (ja ir aprīkojumā).
- Ja eļļas līmenis nav zems, neiedarbināt motoru. Sazināties ar Briggs & Stratton autorizētu servisa pārstāvi, lai novērstu eļļas problēmas.

Ieteikumi par degvielu

Degvielai jābūt atbilstoši šādām prasībām:

- Tīrs, svaigs, bezsvina benzīns.
- Oktānskaitlis vismaz 87/87 AKI (91 RON). Lietošana lielā augstumā, skatīt zemāk.
- Ir atļauts benzīns ar līdz 10% etanola (gasohols).

IEVĒRĪBAI

Neizmantojiet neapstiprinātu benzīnu, piemēram, E15 vai E85. Neiemaisīt eļļu benzīnā, kā arī nomainīt motoru darbam ar citu degvielu. Neapstiprinātu degvielu izmantošana var sabojāt motora sastāvdaļas, un šos bojājumus garantija nesedz.

Lai aizsargātu degvielas sistēmu no sveķu veidošanās un korozijas, pieļaujiet degvielai spirtu nesaturošu degvielas stabilizētāju un piedevu spirtu saturošai degvielai. Skatīt sadaļu *Uzglabāšana*. Visas degvielas nav vienādas. Ja parādās iedarbināšanas vai snieguma problēmas, nomainīt degvielas piegādātāju vai zīmolus. Šis dzinējs ir sertificēts darbam ar benzīnu. Karburatora motora emisiju kontroles sistēma ir EM (motora modifikācija). Motoriem ar elektronisko degvielas iesmidzināšanu emisiju kontroles sistēmas ir ECM (motora vadības modulis), MFI (degvielas iesmidzināšana vairākās pieslēgvietās), TBI (droselvārsta korpusa degvielas iesmidzināšana) un O2S (skābekļa sensors), ja aprīkots.

Liels augstums

Augstāk par 5000 pēdām (1524 metriem) ir atļauts izmantot benzīnu, kura oktānskaitlis ir vismaz 85/85 AKI (89 RON).

Dzinējiem ar karburatoriem jāveic pielāgošana lieliem augstumiem, lai saglabātu veikumu. Bez šiem pielāgojumiem iekārtas veikums samazinās, bet degvielas patēriņš un izmešu daudzums palielinās. Sazināties ar pilnvarotu Briggs & Stratton servisa pārstāvi, lai iegūtu informāciju par liela augstuma pielāgojumiem. Dzinēja darbināšana augstumā, kas mazāks par 2500 pēdām (762 metriem) v.j.l., liela augstuma komplektācijā nav ieteicama.

Dzinējiem ar elektronisko degvielas iesmidzināšanas sistēmu (EFI) augstkalnu iestatījumi nav nepieciešami.

Pielejiet degvielu



BRĪDINĀJUMS

Degviela un tās tvaiki ir viegli uzliesmojoši un sprādzienbīstami. Aizdeģšanās vai sprādziens varētu izraisīt apdegumus vai nāvi.

Kad pieliet degvielu

- Apstādiniet dzinēju. Pirms noņemt degvielas tvertnes vāciņu, pagaidīt vismaz divas (2) minūtes, lai pārlicinātos, ka motors ir atdzisis.
- Uzpildīt degvielas tvertni ārā vai zonā, kur ir laba gaisa plūsma.
- Neiepildīt degvielas tvertnē pārāk daudz degvielas. Lai degviela varētu izplesties, neuzpildīt augstāk par degvielas tvertnes kakliņa apakšmalu.
- Degvielas tuvumā nedrīkst būt dzirksteles, atklātas liesmas, signāllampīņas, siltuma avoti vai citi aizdegšanās avoti.
- Bieži pārbaudīt degvielas šļūtenes, degvielas tvertni, degvielas tvertnes vāciņu un savienojumus, vai tajos nav plaisu vai sūču. Nomainīt bojātās daļas.
- Ja degviela izlīst, pagaidiet līdz tā izžūst pirms Jūs iedarbināt motoru.

1. Notīriet degvielas tvertnes vāciņa apkārtni no netīrumiem un gružiem. Noņemiet degvielas tvertnes vāciņu.
2. Uzpildīt degvielas tvertni (A, attēls 4) ar degvielu. Tā kā degviela izplešies, neuzpildīt augstāk par degvielas tvertnes kakliņu (B).
3. Uzlieciet degvielas tvertnes vāciņu.

Iedarbiniet dzinēju



BRĪDINĀJUMS

INDĪGAS GĀZES BĪSTAMĪBA. Dzinēja izplūdes gāzes satur tvana gāzi, tā ir indīga gāze, kas var nogalināt jūs dažās minūtēs. Pat, ja nevarat saost izplūdes dūmus, pastāv iespējamiība, ka uz Jums iedarbojas tvana gāze. Ja jūtat nelabumu, reiboni vai vājumu, kad lietojat iekārtu, **NEKĀVĒJOTIES** izslēdziet to un izejiet svaigā gaisā. Sazinieties ar ārstu. Iespējams, jums ir saindēšanās ar tvana gāzi.

- Telpās tvana gāze var sakrāties. Lai samazinātu risku, ka tvana gāze varētu sakrāties un iekļūt dzīvojamās telpās, lietot iekārtu TIKAI ārpus telpām, tālu no mājas logiem, durvīm vai ventilācijas lūkām.
- Atbilstoši ražotāja instrukcijām uzstādiet tvana gāzes signalizatorus ar baterijām vai no ligzdas barojamus tvana gāzes signalizatorus ar bateriju rezerves barošanu. Dūmu detektori nevar noteikt tvana gāzi.
- NEDARBINĀT šo produktu mājās, garāžā, pagrabā, tehniskajos starpstāvos, šķūnī vai citā slēgtā telpā, pat ja izmantojat ventilatorus vai atverat durvis un logus, lai nodrošinātu ventilāciju. Pēc šī produkta lietošanas tvana gāze var ātri sakrāties šajās vietās un palikt tur stundām ilgi.
- VIENMĒR novietot produktu pa vējam un vērst motora izplūdes gāzes prom no apdzīvotām telpām.



BRĪDINĀJUMS

Degviela un tās tvaiki ir viegli uzliesmojoši un sprādzienbīstami. Aizdeģšanās vai sprādziens varētu izraisīt apdegumus vai nāvi.

Kad iedarbināt motoru:

- Pārliecinieties, ka aizdedzes svece, slāpētājs, degvielas tvertnes vāciņš un gaisa filtrs (ja ir aprīkojumā) ir pareizi uzstādīti.
- Neiedarbiniet dzinēju, ja nav pieslēgta aizdedzes svece.
- Ja motors ir pārpludināts, iestaftī droseli (ja aprīkojumā) stāvoklī **ATVĒRTA** vai **DARBOJAS**. Pārvietojiet droselvārstu (ja ir aprīkojumā) stāvoklī **ĀTRI** un ieslēgt līdz motors iedarbojas.
- Neiedarbināt motoru, ja tuvumā ir dabasgāzes vai šķidrā propāna gāzes noplūde.
- Tā kā tvaiki ir viegli uzliesmojoši, neizmantot saspieštos iedarbināšanas šķidrumus.



BRĪDINĀJUMS

Rotējošas daļas var ievilkīt rokas, kājas, matus, apģērbu vai piederumus un izraisīt traumatisku amputāciju vai plēstas brūces.

- Darbināt iekārtu ar pareizi uzstādītiem aizsardzības elementiem.
- Turiet rokas un kājas atstatu no rotējošām daļām.
- Noņem rotaslietas un pārliecināties, ka gari mati nav rotējošu daļu tuvumā.
- Nevalkā vaļīgas drēbes vai lietas, kas varētu tikt ierautas.

- Pārbaudiet dzinēja eļļu. Skatīt sadaļu **Pārbaudiet eļļas līmeni**.
- Pārliecinieties, ka iekārtas braukšanas vadības ierīces, ja uzstādītas, ir izslēgtas.
- Pārvietojiet degvielas slēgvārstu (A, attēls 5), ja uzstādīts, stāvoklī **ATVĒRTS**.
- Virziet droselvārsta vadības ierīci (B, attēls 5), ja uzstādīta, uz pozīciju **ĀTRI**.
- Modeļiem ar aukstās iedarbināšanas ierīci (čoku)** (C, attēls 5), ja uzstādīts, pārvietojiet čoku stāvoklī **AIZVĒRTS**. **Modeļiem ar apvienotu aukstās iedarbināšanas ierīces (čoks)/droselvārsta vadību** (G, attēls 5), ja uzstādīts, pārvietojiet čoku stāvoklī **ČOKS**. **Modeļiem ar ReadyStart®**, dodieties uz nākamo soli.

PIEZĪME: Droselēšana parasti nav vajadzīga, ja tiek iedarbināts iesilis motors.

- Lai iedarbinātu motoru, pagrieziet atslēgas slēdzi (D, attēls 5), ja uzstādīts, pozīcijā **IESLĒGTS/IEDARBINĀT** vai nospiediet pogu (E).
- Kad motors iesilis, pārvietojiet čoka bīdni (C, attēls 5) stāvoklī **ATVĒRTS**.

Apstādiniet dzinēju



BRĪDINĀJUMS

Degviela un tās tvaiki ir viegli uzliesmojoši un sprādzienbīstami. Aizdeģšanās vai sprādziens varētu izraisīt apdegumus vai nāvi.

- Nekad nenoslāpēt motoru ar karburatoru (ja ir aprīkojumā) droselēšanas palīdzību.
- Kad droselvārsta vadība atrodas stāvoklī **LĒNI**, pagrieziet elektriskās iedarbināšanas slēdzi (D, attēls 6), ja uzstādīts, pozīcijā **IZSLĒGTS**.
 - Izņemiet atslēgu un glabājiet to drošā, bērniem nepieejamā vietā.

- Kad dzinējs apstājas, pagrieziet degvielas slēgvārstu (A, attēls 6), ja uzstādīts, uz pozīciju **CLOSED** (aizvērts).

Apkope

Apkopes informācija



BRĪDINĀJUMS

Degviela un tās tvaiki ir viegli uzliesmojoši un sprādzienbīstami. Aizdeģšanās vai sprādziens varētu izraisīt apdegumus vai nāvi.

Ja apkopes laikā nepieciešams sagāzt iekārtu slīpi, pārliecinieties, ka degvielas tvertne, ja uzstādīta uz motora, ir tukša un aizdedzes sveces puse ir vērstā uz augšu. Ja degvielas tvertne nav tukša, tā var izplūst un var izraisīt aizdedzanos vai sprādzienu. Ja motors tiek pacelts citā virzienā, to nebūs viegli iedarbināt gaisa filtra vai aizdedzes sveces piesārņošanas ar eļļu vai degvielu dēļ.



BRĪDINĀJUMS

Nejaušas dzinēja sveces dzirksteles var izraisīt elektriskās strāvas triecienu, aizdedzanos vai sprādzienu un izraisīt ievilkšanu, traumatisku amputāciju vai plēstas brūces.

Pirms veicat pielāgojumus vai labošanu:

- Atvienojiet visus aizdedzes sveces vadus un turiet tos atstatu no aizdedzes svečēm.
- Atvienojiet akumulatora vadu no negatīvās akumulatora spaiļes (tikai dzinējiem ar elektrisko iedarbināšanu).
- Izmantot tikai pareizus instrumentus.

Kad pārbaudat dzirksteli:

- Lietojiet tikai sertificētos aizdedzes sveču testerus.
- nepārbaudīt dzirksteli ar izņemtu aizdedzes sveci.



BRĪDINĀJUMS

Rezerves daļām jābūt vienādas konstrukcijas un uzstādītām tajā pašā vietā, kur oriģinālās daļas. Citām detaļām varētu tikt izraisīti bojājumi vai izraisīta trauma.

IEVĒRĪBAI

Lai darbība būtu pareiza, visām motora izgatavošanā izmantotajām sastāvdaļām jāpaliek savās vietās.

Vērsieties pie jebkura Briggs & Stratton autorizēta servisa pārstāvja dzinēja un dzinēja daļu visas apkopes un servisa veikšanai.

Emisiju kontroles apkalpošana

Lai veiktu emisijas kontroles ierīču un sistēmu remontu, maiņu vai apkopi, sazināties ar kvalificētu bezceļa motoru remonta iestādi vai servisa tehniķi Tomēr, lai iegūtu „bezmaksas” emisiju kontroles servisu, darbu jāveic rūpnīcas pilnvarotam izplatītājam. Skatiet Emisiju kontroles deklarācijas.

Apkopes grafiks

Pēc pirmajām 5 darba stundām
<ul style="list-style-type: none">Motoreļļas nomaiņa¹.
Ar 8 stundu intervāliem vai reizi dienā
<ul style="list-style-type: none">Pārbaudiet dzinēja eļļu līmeni.Noīrēt virsmu ap slāpētāju un vadības elementiem.Noīrēt gaisa ieplūdes atveres režģi.
Ar 25 stundu intervāliem vai reizi gadā
<ul style="list-style-type: none">Izīrēt gaisa filtru².Izīrēt rupjo filtru².
Ar 50 stundu intervāliem vai reizi gadā
<ul style="list-style-type: none">Nomainiet motoreļļu³.Uzstādiet atpakaļ eļļas filtru (ja uzstādīts)³.Veiciet izplūdes sistēmas apkopi.
Ar 100 stundu intervāliem vai reizi gadā
<ul style="list-style-type: none">Nomainiet motoreļļu⁴.Uzstādiet atpakaļ eļļas filtru (ja uzstādīts)⁴.

katru gadu
<ul style="list-style-type: none"> Nomainiet aizdedzes sveci. Nomainiet gaisa filtru. Nomainiet rupjo filtru. Nomainiet degvielas filtru. Apkopiet dzesēšanas sistēmu¹. Pārbaudiet vārsta atstarpi⁵1.

¹ Tikai dzinējiem bez eļļas filtra.

² Tīriet daudz biežāk putekļainos apstākļos vai, ja gaisā ir daudz daļiņu.

³ Dzinēji bez eļļas filtra vai standarta melno eļļas filtru. Skatiet sadaļā *Specifikācijas* daļas numuru.

⁴ Dzinēji ar augsta snieguma dzelteno vai oranžo eļļas filtru (skatiet sadaļā *Specifikācijas* daļas numuru).

⁵ Nav nepieciešams, ja vien netiek konstatētas problēmas dzinēja veiktspējā.

Elektroniskā degvielas vadības sistēma

Elektroniskā degvielas vadības sistēma seko dzinēja temperatūrai, dzinēja ātrumam un akumulatora spriegumam, lai dzinēja iedarbināšanas un uzsildīšanas laikā pielāgotu droselēvārstu. Sistēmā nav pielāgošanas elementu. Ja rodas iedarbināšanas vai lietošanas problēmas, sazinieties ar autorizētu Briggs & Stratton servisa pārstāvi.

IEVĒRĪBA! Ievērojiet šīs norādes! Pretējā gadījumā var tikt sabojāta elektroniskā degvielas vadības sistēma.

- NEIEDARBINIET dzinēju, ja akumulatora kabeli nav cieši pievienoti.
- Pirms āreajā strāvas avota kabelu pievienošanas vai akumulatora kabelu atvienošanas vai pievienošanas atpakaļ, pagrieziet aizdedzes slēdzi stāvoklī IZSLĒGTS. Uzlādējot akumulatoru, aizdedzes atslēgai jābūt stāvoklī IZSLĒGTS.
- Atvienojot akumulatora kabelus no akumulatora, vispirms atvienojiet no akumulatora negatīvo (-) kabeli un tad atvienojiet pozitīvo (+) kabeli. Pievienojot akumulatora kabelus akumulatoram, vispirms pievienojiet akumulatoram pozitīvo (+) kabeli un tad pievienojiet negatīvo (-) kabeli.
- NELIETOJIET akumulatora lādētāju, lai iedarbinātu dzinēju.
- NEATVIENOJIET akumulatora kabelus dzinēja darbības laikā.
- NEIZSMIDZINIET ūdeni tieši uz elektroniskās vadības bloka.

Karburators un motora apgriezieni

Neveikt pielāgojumus karburatoram, regulatora atsperei, savienojumiem vai citām daļām, lai pielāgotu dzinēja ātrumu. Ja ir nepieciešams veikt kādus regulējumus, vērsieties Briggs & Stratton autorizēta servisa pārstāvja centrā.

IEVĒRĪBA!

Iekārtas ražotājs ir definējis maksimālo ātrumu iekārtā iemontētajam motoram. Nepārsniedziet šo ātrumu. Ja neesat pārliecināts par to, kāds ir iekārtas maksimālais ātrums, vai kāds ātrums motoram ir iestādīts rūpnīcā, vērsieties Briggs & Stratton autorizētā servisa pārstāvja centrā. Lai pareizi un droši lietu iekārtu, motora ātrumu drīkst regulēt tikai kvalificēts servisa tehniķis.

Izplūdes un dzesēšanas sistēmu apkope



BRĪDINĀJUMS

Darbības laikā motors un slāpētājs kļūst karsti. Aizskarot karstu motoru, var rasties termiski apdegumi.

Tādi degoši materiāli kā nokritušas koka lapas, zāle un krūmāji var uzliesmot.

- Pirms aizskarot motoru vai slāpētāju, apturiet dzinēju un pagaidiet divas (2) minūtes. Pārliecinieties, ka motoram un slāpētājam var droši pieskarties.
- Notīrīt netīrumus no slāpētāja un motora.

Tas klasificējas kā Kalifornijas Publisko resursu likuma, sadaļas 4442, pārkāpums: izmantot dzinēju meža, krūmu vai zāles klātās teritorijās, ja izplūdes sistēma nav aprīkota ar dzirksteļu uztvērēju, kā norādīts sadaļā 4442, un tas netiek pienācīgi apkopots. Citos štatos vai federālajās jurisdikcijās var būt līdzīgi likumi; atsaucē uz Federālo noteikumu 36 CFR, 261.52. daļu. Saņemiet ar ražotāju, mazumtirgotāju vai izplatītāju, lai iegūtu dzirksteļu uztvērēju, kas paredzēts izplūdes sistēmai, kas uzstādīta šim dzinējam.

Šis ir dzinējs ar gaisa dzesēšanu. Gruži vai nevēlami materiāli var traucēt gaisa plūsmu un izraisīt pārāk lielu dzinēja uzkaršanu. Tas izraisa neapmierinošu veiktspēju un samazina dzinēja kalpošanas laiku. Cilindra dzesēšanas ventilatori var savākt nevēlamus materiālus, no kā nevar atbrīvoties bez daļējas dzinēja izjaukšanas. Pārliecinieties, ka Briggs & Stratton autorizēts servisa pārstāvis pārbauda un iztīra gaisa dzesēšanas sistēmu. Skatieties **Tehniskās apkopes grafiku**.

- Pārliecinieties, ka ap slāpētāju un aiz tā nav viegli uzliesmojoši materiāli.

- Ar suku vai sausu drānu noņemiet visus nevēlamus materiālus no pūtēja korpusa pārsega, slāpētāja un cilindra zonas. NEIZMANTOJIET ūdeni dzinēja tīrīšanai.
- Pārliecinieties, ka saites, atsperes un vadības ierīces ir tīras.
- Pārbaudīt, vai slāpētājam nav plaisu, korozijas vai citu bojājumu.
- Noņemiet dzirksteļu slāpētāju, ja uzstādīts, apskatiet, vai nav bojājumu vai kvēpu radīti aizbīvējumi. Pārliecinieties, ka nofirāt vai uzstādāt nomaināmās rezerves daļas, pirms darbojaties ar iekārtu.
- Ja ir uzstādīts eļļas dzesētāja ribas, pārliecinieties, ka tās ir tīras.

Aizdedzes sveču apkope

Pārbaudiet aizdedzes sveces spraugu (A, Attēls 7) ar stieples kalibru (B). Ja nepieciešams, iestatiet aizdedzes sveces spraugu. Uzstādiet un pievelciet aizdedzes sveci ar pareizu griezes momentu. Informāciju par spraugas un griezes momenta specifikācijām skatīt sadaļā **Specifikācijas**.

Nomainiet motoreļļu



BRĪDINĀJUMS

Degviela un tās tvaiki ir viegli uzliesmojoši un sprādzienbīstami. Aizdegšanās vai sprādziens varētu izraisīt apdegumus vai nāvi.

Darbības laikā motors un slāpētājs kļūst karsti. Aizskarot karstu motoru, var rasties termiski apdegumi.

- Ja eļļa tiek izvadīta izmantojot augšējo eļļas uzpildes cauruli, degvielas tvertnei jābūt tukšai. Ja tā nav tukša, degviela var izplūst un izraisīt aizdegšanos vai sprādzienu.
- Pirms aizskarot motoru vai slāpētāju, apturiet dzinēju un pagaidiet divas (2) minūtes. Pārliecinieties, ka motoram un slāpētājam var droši pieskarties.

Atstrādātā eļļa ir bīstams atkritumprodukts, un tā ir pareizi jāutilizē. Neizmetiet kopā ar saimniecības atkritumiem. Saņemiet ar vietējām iestādēm, servisa centru vai izplatītāju, lai uzzinātu, kur atrodas drošas utilizācijas vai pārstrādes punkti.

Iztecīniet eļļu

- Ar IZSLĒGTU, bet siltu dzinēju atvienojiet aizdedzes sveces vadu(-s) (D, attēls 8) un turiet tos atstātus no aizdedzes sveces(-ēm) (E).
- Izņemiet mērstieni (A, attēls 9).

Eļļas izlaišanas aizgrieznis, ja uzstādīts

- Izņemiet eļļas iztukšošanas aizbāzni (F, attēls 10). Iztecīniet eļļu atbilstošā tvertnē.

PIEZĪME: Jebkurš no parādītajiem eļļas izlaišanas aizgriežņiem (G, attēls 10) var būt uzstādīts dzinējā.

- Kad eļļa izlaista, ievietojiet un pievelciet eļļas izlaišanas aizgriezni (F, attēls 10).

Ātrā eļļas izlaišana, ja uzstādīta

- Atvienojiet eļļas ātrās izlaišanas šļūteni (H, attēls 11) no dzinēja sāna.
- Pagrieziet un noņemiet eļļas izlaišanas vāciņu (I, attēls 11). Uzmanīgi nolaidiet ātro eļļas izlaišanas šļūteni (H) piemērotā tvertnē (J).
- Kad eļļa izlaista, uzstādiet eļļas ātrās izlaišanas vāciņu (I, attēls 11). Pievienojiet eļļas ātrās izlaišanas šļūteni (H) pie dzinēja sāna.

Pielejiet eļļu

- Pārliecinieties, ka dzinējs ir horizontāli.
- Attīrīt eļļas uzpildes zonu no visiem gružiem.
- Skatīt eļļas ietilpības daudzumu sadaļā **Specifikācijas**.

- Izņemiet mērstieni (A, attēls 3). Noņemiet eļļu no mērstienā ar tīru drānu.
- Lēnām ielejiet eļļu dzinēja eļļas iepildīšanas atverē (C, attēls 3). **Neielejiet pārāk daudz eļļas dzinēja eļļas iepildē.** Pēc eļļas ielešanas, pagaidiet vienu minūti un tad pārbaudiet eļļas līmeni.

PIEZĪME: Nepielejiet eļļu pa eļļas ātrās izlaišanas atveri (ja tāda ir).

- Ievietojiet atpakaļ un pievelciet mērstieni (A, attēls 3)
- Izņemiet mērstieni un pārbaudiet eļļas līmeni. Pareizais eļļas līmenis ir pilnās tvertnes indikatora augšpusē (B, attēls 3) uz mērstienā.
- Ievietojiet atpakaļ un pievelciet mērstieni (A, attēls 3)
- Pievienojiet aizdedzes sveces vadu(-s) pie aizdedzes sveces(-ēm). Skatīt nodaļu **Iztecīniet eļļu**.

Nomainiet eļļas filtru

- Iztecīnāt eļļu no motora. Skatīt sadaļu **Iztecīnāt eļļu**.
- Izņemiet eļļas filtru (H, attēls 12) un pareizi utilizējiet.

3. Pirms uzstādat jauno eļļas filtru, viegli ieeļļojiet eļļas filtra bļīvi ar tīru eļļu.
4. Uzstādiēt eļļas filtru ar roku līdz bļīve saskarās ar eļļas filtra adapteri, tad pievilkiet eļļas filtru par 1/2 līdz 3/4 apgriezieni.
5. Pielejiet eļļu. Skatīt sadaļu **Pieliet eļļu**.
6. Iedarbināt un darbināt motoru. Kad motors ir uzsilis, pārbaudīt vai eļļa nenoplūst.
7. Apstādiniet dzinēju. Pārļiecinieties, ka eļļas līmenis ir pilnās tvertnes indikatora augšpusē uz mērsteniņa. Skatīt sadaļu **Pieliet eļļu**.

Gaisa filtra apkope



BRĪDINĀJUMS

Degvielas tvaiki ir uzliesmojoši un sprādzienbīstami. Aizdegšanās vai sprādziens varētu izraisīt apdegumus vai nāvi.

- Nekad neiedarbināt un nedarbināt motoru ar noņemtu gaisa attīrīšanas mezglu (ja ir aprīkojumā) vai gaisa filtru (ja ir aprīkojumā).

IEVĒRĪBAI

Filtra tīrīšanai neizmantojiet saspiestu gaisu vai šķīdinātājus. Saspiests gaiss varētu sabojāt filtru, bet šķīdinātāji izšķīdinās filtru.

Skatīt sadaļu **Apkopes diagramma**, kur norādītas apkopes prasības.

Dažādiem modeļiem tiks izmantots porolona vai papīra filtrs. Daži modeļi var arī būt aprīkoti ar rupjo filtru, kuru var mazgāt un lietot atkārtoti. Salīdziniet ilustrācijas šajā rokasgrāmatā ar tipu, kas uzstādīts jūsu dzinējam, un atbilstoši veiciet apkopi.

Papīra gaisa filtrs (ar rupjo filtru)

1. Palaidiet vaļīgāk fiksatoru(-s) (A, attēls 13).
2. Noņemiet gaisa filtra pārsegu (B, attēls 13).
3. Noņemiet filtru (C, attēls 13) un rupjo filtru (D), ja uzstādīts.
4. Lai atbrīvotu grūzus, viegli pasitiet filtru pret cietu virsmu. Ja filtrs ir netīrs, nomainiet ar jaunu filtru.
5. Notīriet rupjo filtru (D, attēls 13), ja uzstādīts, ar šķīdru mazgāšanas līdzekli un ūdeni. Ļaut rupjajam filtram pilnībā nožūt gaisā. **NEIEEĻĻOJĪET** rupjo filtru.
6. Uzstādiēt sauso rupjo filtru (D, attēls 13), ja uzstādīts, un filtru (C) uz gaisa filtra pamatnes (E).
7. Uzstādiēt gaisa filtra pārvalku (B, attēls 13), un nostipriniet ar stiprinātāju(-iem) (A). Pārļiecinieties, ka fiksators(-i) ir nostiprināts(-i).

Gaisa filtra mezgls (Kasetne ar rupjo filtru)

1. Palaidiet vaļīgāk stiprinājumu(-s) (A, attēli 14, 15).
2. Noņemiet gaisa filtra pārsegu (B, attēli 14, 15).
3. Lai izņemtu gaisa filtru (C, attēli 14, 15), paceliet filtra galu.
4. Lai atbrīvotu grūzus, viegli pasitiet filtru pret cietu virsmu. Ja filtrs ir netīrs, nomainiet ar jaunu filtru.
5. Noņemiet rupjo filtru (D, attēli 14, 15) no filtra (C).
6. Nomazgājiet rupjo filtru (D, attēli 14, 15) šķīdru mazgāšanas līdzeklī un ūdenī. Ļaut rupjajam filtram pilnībā nožūt gaisā. **NEIEEĻĻOJĪET** rupjo filtru.
7. Pievienojiet sauso rupjo filtru (D, attēli 14, 15), ja uzstādīts, pie filtra (C).
8. Uzstādiēt filtru (C, attēli 14, 15) un rupjo filtru (D), ja uzstādīts, filtra pamatnē (E) un spiediet uz leju, līdz filtrs fiksējas ar klikšķi.
9. Uzstādiēt gaisa filtra pārvalku (B, attēli 14, 15), un nostipriniet ar stiprinātāju(-iem) (A). Pārļiecinieties, ka fiksators(-i) ir nostiprināts(-i).

Degvielas sistēmas apkope



BRĪDINĀJUMS

Degviela un tās tvaiki ir viegli uzliesmojoši un sprādzienbīstami. Aizdegšanās vai sprādziens varētu izraisīt apdegumus vai nāvi.

- Degvielas tuvumā nedrīkst būt dzirksteles, atklātas liesmas, signāllampīņas, siltuma avoti vai citi aizdegšanās avoti.
- Bieži pārbaudīt degvielas šļūtenes, degvielas tvertni, degvielas tvertnes vāciņu un savienojumus, vai tajos nav plaisu vai sūču. Nomainīt bojātās daļas.
- Ja degviela izlīst, pagaidiet līdz tā izžūst pirms Jūs iedarbināt motoru.

Degvielas filtrs, ja uzstādīts

1. Pirms nomaināt degvielas filtru (A, attēls 16), iztukšojiet degvielas tvertni vai aizveriet degvielas slēgvārstu. Ja degvielas tvertne nav iztukšota, degviela var noplūst un izraisīt aizdegšanās vai sprādzienu.
2. Ar plakanknaiblēm saspiediet mēlītes (B, attēls 16) uz spailēm (C). Noslidiniet skavas no degvielas filtra (A).

3. Groziet un velciet nost degvielas šļūtenes (D, attēls 16) no degvielas filtra.
4. Pārbaudiet degvielas līnijas (D, attēls 16), vai tajos nav plaisu vai sūču. Ja nepieciešams, nomainiet degvielas šļūtenes.
5. Nomainiet degvielas filtru (A, attēls 16).
6. Pievienojiet degvielas kanālus (D, attēls 16) ar skavām (C).

Uzglabāšana

Degvielas sistēma

Skatiet attēlu: 17.



BRĪDINĀJUMS

Degviela un tās tvaiki ir viegli uzliesmojoši un sprādzienbīstami. Aizdegšanās vai sprādziens varētu izraisīt apdegumus vai nāvi.

Degvielas uzglabāšana

- Tā kā signāllampīņas vai citi aizdegšanās avoti var izraisīt sprādzienu, turēt degvielu vai iekārtu drošā attālumā no kurtuvēm, krāsnīm, boileriem un citām līdzīgām ierīcēm, kurām ir signāllampīņas.

Turēt motoru līmeniski (parastā darba stāvoklī). Uzpildiet degvielas tvertni (A, attēls 17) ar degvielu. Lai ļautu degvielai izplesties, nepiepildiet augstāk par degvielas tvertnes kakliņu (B).

Ja degviela tiek uzglabāta uzglabāšanas tvertnē vairāk par 30 dienām, tā var zaudēt svaigumu. Lai novērstu degvielas pasliktināšanos un degviela būtu svaiga, tiek ieteikts degvielas uzglabāšanas tvertnē izmantot spirtu nesaturošu degvielas stabilizatoru un piedevu etanolam.

Uzpildot degvielas tvertnē degvielu, pievienojiet spirtu nesaturošu degvielas stabilizatoru, kā norādīts ražotāja instrukcijās. Ja benzīns dzinējā netiek apstrādāts ar degvielas stabilizatoru, tas jāizteicina piemērotā konteinerā. Darbiniet dzinēju, līdz beidzas degviela.

Motoreļļa

Motoreļļu jāmaina, kamēr dzinējs ir vēl silts. Skatiet sadaļu **Nomainiet dzinējēļu**.

Problēmu novēršana

Palīdzība

Lai saņemtu palīdzību, sazinieties ar savu vietējo izplatītāju, atveriet **BRIGGSandSTRATTON.COM** vai zvaniet uz **1-800-444-7774** (ASV).

Specifikācijas un apkopes daļas

Specifikācijas	Modelis: 400000	Modelis: 440000
Darba tilpums	40.03 kubikcolla (656 cm ³)	44.18 kubikcolla (724 cm ³)
Iekšējais diametrs	2.970 collas (75,43 mm)	3.120 collas (79,24 mm)
Virzuļa gājiens	2.890 collas (73,41 mm)	2.890 in (73,41 mm)
Eļļas ietilpība	62 - 64 unce (1,8 - 1,9 l)	62 - 64 unce (1,8 - 1,9 l)
Aizdedzes sveces sprauga	.030 collas (.76 mm)	.030 collas (.76 mm)
Aizdedzes sveces pievilkšanas moments	180 mārciņa-colla (180 Nm)	180 mārciņa-colla (20 Nm)
Indukcijas spoles (armatūras) gaisa sprauga	.008 - .012 in (.20 - .30 mm)	.008 - .012 in (.20 - .30 mm)
Ieplūdes vārsta sprauga	.004 - .006 in (.10 - .15 mm)	.004 - .006 in (.10 - .15 mm)
Izplūdes vārsta sprauga	.004 - .006 in (.10 - .15 mm)	.004 - .006 collas (.10 - .15 mm)

Specifikācijas	Modelis: 490000
Darba tilpums	49.42 kubikcolla (810 cm ³)
Iekšējais diametrs	3.300 in (83,81 mm)
Virzuļa gājiens	2.890 collas (73,41 mm)
Eļļas ietilpība	66 - 68 unce (1,9 - 2,0 l)
Aizdedzes sveces sprauga	.030 collas (.76 mm)
Aizdedzes sveces pievilkšanas moments	180 mārciņa-colla (180 Nm)
Indukcijas spoles (armatūras) gaisa sprauga	.008 - .012 collas (.20 - .30 mm)
Ieplūdes vārsta sprauga	.004 - .006 collas (.10 - .15 mm)

Specifikācijas	Modelis: 490000
Izplūdes vārsta sprauga	.004 - .006 in (,10 - ,15 mm)

Apkopes daļas

Lai iegādātos Briggs & Stratton rezerves daļas, meklējiet autorizētu servisa pārstāvi BRIGGSandSTRATTON.COM. Jums būs nepieciešams identifikācijas numurs (modelis - tips - numurs). Lai atrastu dzinēja identifikācijas numuru, skatīt sadaļu **Funkcijas un vadības ierīces**.

Jaudas rādītāji

pieļaujama pilnā jauda atsevišķiem modeļiem ar benzīna dzinēju tiek apzīmēta atbilstoši novērtējumam pēc SAE (Autoinženieru savienība) kodeksa J1940 (Mazu dzinēju jaudas un griezes momenta noteikšanas procedūra), un to jaudas novērtēšana notiek atbilstoši SAE noteikumiem J1995. Dzinējiem, kuru marķējumā norādīts "rpm", griezes moments ir noteikts pie 2600 apgr./min, visiem pārējiem dzinējiem — pie 3060 apgr./min; zirgspēku daudzums ir noteikts pie 3600 apgr./min. Pilnās jaudas līknes var aplūkot vietnē www.BRIGGSandSTRATTON.COM. Efektīvās jaudas vērtības tiek iegūtas, kad ir uzstādīts klusinātājs un gaisa filtrs, bet pilnas jaudas vērtības tiek iegūtas bez šiem piederumiem. Reālā dzinēja pilnā jauda būs augstāka par efektīvo jaudu, jo to ietekmēs darba vides apstākļi un katra dzinēja individuālās atšķirības. Ņemot vērā plašo izstrādājumu klāstu, kādiem tiek uzstādīti dzinēji, benzīna dzinēji var neatbilstīt nominālo pilno jaudu, ja tos izmanto ar konkrēto mehānizēto iekārtu. Šīs atšķirības izraisa dažādi faktori, tai skaitā, bet ne tikai — dažādas dzinēja sastāvdaļas (gaisa filtrs, klusinātājs, kompresija, dzesēšanas sistēma, karburators, degvielas sūknis utt.), lietojuma ierobežojumi, vides apstākļi darba vietā (temperatūra, mitrums, augstums virs jūras līmeņa), kā arī atsevišķu dzinēju individuālās īpatnības. Dažu ražošanas procesa un jaudas ierobežojumu dēļ uzņēmums Briggs & Stratton ir tiesīgs aizvietot šīs sērijas dzinēju ar jaudīgāku.

Garantija

Briggs & Stratton® dzinēja garantija

Spēkā no 2022. gada augusta

Ierobežota garantija

Briggs & Stratton garantē, ka garantijas periodā, kas norādīts zemāk, tas pēc saviem uzskatiem bez maksas salabos vai nomainīs jebkuru daļu ar jaunu, atjaunotu vai pārstrādātu daļu, kurai ir materiāla un/vai ražošanas brāķis vai abi. Transporta izmaksas par prece, kurš šīs garantijas ietvaros iesniegts remontam vai nomainīti, jāsedz pircējam. Šī garantija ir spēkā tālāk norādītajos laika periodos un ievērojot tālāk izklāstītos nosacījumus. Lai saņemtu garantijas servisu, atrodiet tuvāko autorizētu servisa pārstāvi mūsu izplatītāju atrašanās vietu kartē BRIGGSandSTRATTON.COM. Pircējam ir jāsažinās ar pilnvaroto apkopes pakalpojumu sniedzēju un jānogādā izstrādājums tā turpmākai pārbaudei un testēšanai pilnvarotajam apkopes pakalpojumu sniedzējam.

Citu tiešo garantiju nav. Netiešas garantijas, produkta kvalitātes un noderīguma noteiktam pielietojumam ieskaitot, ir ierobežotas ar viena gada periodu no pirkuma datuma vai uz likumā atrunāto periodu. Visas pārējās netiešas garantijas ir izslēgtas. Jebkura atbildība par nejausiem vai izrietošiem zaudējumiem tiek izslēgta tadā mērā, kādā šī atbildības izslēgšana ir atrunāta likumā. Dažās pavalstīs un valstīs neatzīst ierobežojumus attiecībā uz to, cik ilgi turpināsies netiešā garantija, bet citās pavalstīs vai valstīs nepieļauj nejauso vai izrietošo zaudējumu izslēgšanu vai ierobežošanu, tādēļ iepriekš minētais ierobežojums un garantijas izslēgšana var uz jums neattiekties. Šī garantija dod jums noteiktas juridiskas tiesības, bet jums var būt arī citas tiesības, kas dažādās zemēs ir atšķirīgas.

Standarta garantijas nosacījumi^{1, 2}

Vanguard®; Komerciālā sērija

Patērētāja lietošana - 36 mēneši

Komerciāla lietošana - 36 mēneši

XR sērija

Patērētāja lietošana - 24 mēneši

Komerciāla lietošana - 24 mēneši

Dzinēji ar Dura-Bore™ lietām čuguna čaulām

Patērētāja lietošana - 24 mēneši

Komerciāla lietošana - 12 mēneši

Visi citi dzinēji

Patērētāja lietošana - 24 mēneši

Komerciāla lietošana - 3 mēneši

BRIGGSandSTRATTON.COM vai sazinieties ar jūsu autorizēto Briggs & Stratton servisa pārstāvi.

² Garantija netiek nodrošināta dzinējiem, kas tiek izmantoti iekārtu galvenā dzinējspēka vietā, rezerves ģeneratoriem, ko izmanto komerciāliem mērķiem, vieglajos autoturģonos un kas pārsniedz 25 MPH. Garantija netiek sniegta dzinējiem, ko izmanto ātrumsaīkstēm, kā arī komerciālos vai nomas kravas automobiļos.

* Austrālijā – Mūsu precēm ir garantijas, kuras nepieļauj izslēgt Austrālijas Patērētāju likums. Jums ir tiesības nomainīt izstrādājumu vai saņemt naudas līdzekļu atmaksu, ja izstrādājuma darbībā radās būtiski traucējumi, vai arī saņemt atlīdzību, ja radās citi saprātīgi paredzami zaudējumi vai bojājumi. Turklāt jums ir tiesības iesniegt izstrādājumu remontam vai nomainīt izstrādājumu, ja tā kvalitāte nav pieņemama, taču tā darbības traucējumi nav būtiski. Lai saņemtu garantijas servisu, atrodiet tuvāko autorizēto servisa pārstāvi izplatītāju atrašanās vietu kartē BRIGGSandSTRATTON.COM vai piezvaniet uz numuru 1300 274 447, vai nosūtiet e-pastu vai papīra vēstuli uz adresi salesenquires@briggsandstratton.com.au, Briggs & Stratton Australia Pty Ltd, 1 Moorebank Avenue, Moorebank, NSW, Austrālija, 2170.

Garantijas laiks sākas no datuma, kad prece tika pārdota pirmajam patērētājam caur mazumtirdzniecības tīklu vai vairumtirdzniecības tīklu galapatērētājam komercvidē un turpinās tādu laiku posmu, kāds norādīts iepriekš minētajā tabulā. „Sadzīves lietošana” nozīmē, ka mazumtirdzniecības patērētājs lieto precī savā māsaimniecībā. „Komerciāla lietošana” nozīmē visus pārējos preces lietošanas veidus, ietverot tirdzniecību, lietošanu ienākumus nesošās nozarēs vai izīrēšanu. Tikko dzinējs ir ticis lietots komerciāli, tas turpmāk attiecībā uz šo garantiju tiek uzskatīts par komerciālas lietošanas dzinēju.

Lai iegūtu Briggs & Stratton izstrādājumu garantiju, nav vajadzīga nekāda garantijas reģistrācija. Saglabājiet savu pirkumu apliecināso čeku. Ja jūs neiesniedzat apliecinājumu sākotnējā pirkuma datumam laikā, kad ir nepieciešams garantijas remonts, garantijas perioda noteikšanai tiks izmantots produkta izgatavošanas datums.

Par jūsu garantiju

Šī garantija attiecas tikai uz defektīviem materiāliem, kas saistīti ar dzinēju, un/vai apdares kvalitāti, un nevis uz nomainītu vai atļidzināšanu iekārtai, kurai dzinējs var būt pierīkots. Šī garantija nesedz kārtējo apkopi, noskaņošanu, noregulēšanu vai normālu nodilumu. Tāpat garantija nav spēkā, ja dzinējs ir ticis izmainīts vai modificēts, vai ja ir dzēsts vai noņemts dzinēja sērijas numurs. Šī garantija nesedz dzinēja bojājumus vai veikuma problēmas, kuras izraisījuši:

1. daļu, kas nav Briggs & Stratton
2. dzinēja darbināšana ar nepietiekamu eļļas līmeni, piesārņotu vai nepareizas kvalitātes eļļu;
3. piesārņots vai sastāvējušās degvielas izmantošana, benzīna, kurā etilspirta saturs lielāks par 10 %, vai alternatīvu degvielu, piemēram, sašķidrinātas naftas vai dabasgāzes izmantošana dzinējiem, ko Briggs & Stratton nav sākotnēji paredzējusi/izgatavojusi darbināšanai ar šādu degvielu;
4. netīrumi, kas iekļuvuši dzinējā gaisa atfiltrētāja nepareizas apkopes vai salikšanas rezultātā;
5. rotācijas zāles plāvēja nažu triecieni pret priekšmetiem, vaļīgi vai nepareizi uzstādīti nažu adapteri, lāpstīnīteņi vai citas kloķvārpstai pievienotas ierīces vai pārmērīga ķīlsiksnas nosprīgošana;
6. saistīto daļu vai mezglu, piemēram, sajūgu, transmisijas, iekārtu vadības ierīču utt., ko nav piegādājis Briggs & Stratton, lietošana;
7. pārkāršana, kas notikusi dzesēšanas ribu vai spararata zonas piesārņošanas vai aizsērēšanas ar noplautās zāles daļām, netīrumiem un gružiem vai grauzēju ligzdu dēļ, vai dzinēja darbināšana bez pietiekamas ventilācijas;
8. pārmērīga vibrācija, kuras cēlonis ir pārmērīgi dzinēja apgriezieni, vaļīgi dzinēja stiprinājumi, vaļīgi vai neizlīdzsvaroti naži vai lāpstīnīteņi vai aprīkojuma nepareiza pievienošana kloķvārpstai;
9. dzinēja nepareiza ekspluatēšana, ikdienas apkopes neveikšana, nepareizi veikta pārsūtišana, pārkraušana un uzglabāšana, vai dzinēja nepareiza uzstādīšana.

Garantijas apkope ir pieejama, sazinoties ar Briggs & Stratton autorizētajiem servisa pārstāvjiem. Atrodiet tuvāko autorizēto servisa pārstāvi mūsu izplatītāju atrašanās vietu kartē BRIGGSandSTRATTON.COM vai zvaniet uz 1-800-444-7774 (ASV).

80114782 (Redakcija A)

¹ Šie ir mūsu standarta garantijas noteikumi, taču laiku pa laikam iespējams papildus garantijas segums, kāds netika noteikts publikācijas laikā. Lai iepazītos ar jūsu dzinējam pašreiz spēkā esošajiem garantijas noteikumiem, skatiet Internetā

Informacje ogólne



Niniejsza instrukcja zawiera informacje na temat bezpieczeństwa, zagrożeń i ryzyka związanego z silnikiem oraz sposobów zapobiegania im. Zawiera również informacje na temat prawidłowej obsługi i konserwacji silnika. Należy przeczytać i zrozumieć niniejsze instrukcje oraz ich przestrzegać. **Zaleca się zachowanie tej instrukcji do wykorzystania w przyszłości.**

UWAGA: Rysunki i ilustracje zostały zamieszczone w niniejszej instrukcji wyłącznie w celach informacyjnych i mogą być inne od rzeczywistego wyglądu urządzenia posiadanego przez użytkownika. Należy użyć wartości zgodnych z konfiguracją silnika. Jeśli to konieczne, porozmawiaj z Autoryzowanym dealerm serwisowym.

Aby w przyszłości uzyskać części zamienne lub pomoc techniczną, zapisać poniżej model, ustawienie napędu, typ oraz kod silnika wraz z datą zakupu. Te dane znajdują się na silniku. Patrz część **Budowa i elementy obsługowe**.

Data zakupu	
Numer modelu – rodzaj – wykończenie silnika	
Numer seryjny silnika	

Dane kontaktowe biura w Europie

W przypadku pytań dotyczących limitów emisji spalin w Europie prosimy o kontakt z naszym europejskim biurem:

Max-Born-Straße 2, 68519 Viernheim, Niemcy.

Unia Europejska (EU) – Etap V (5): Wartości dwutlenku węgla (CO₂)

Aby znaleźć wartości dwutlenku węgla w silnikach Briggs & Stratton ze świadectwem homologacji typu EU, wpisz CO₂ w oknie wyszukiwania na stronie BriggsandStratton.com.

Bezpieczeństwo operatora

Symbole alarmów bezpieczeństwa i słowa ostrzegawcze



Symbol ostrzegawczy wskazuje na informacje dotyczące zagrożeń, które mogą prowadzić do uszkodzenia ciała. Słowo ostrzegawcze (**NIEBEZPIECZEŃSTWO**, **OSTRZEŻENIE** lub **PRZESTROGA**) stosowane jest w celu wskazania na prawdopodobieństwo wystąpienia poważnego urazu ciała. Dodatkowo, symbol zagrożenia może być używany do zasygnalizowania rodzaju zagrożenia.

NIEBEZPIECZEŃSTWO sygnalizuje zagrożenie, które, jeśli nie uda się go uniknąć, **spowoduje** śmierć lub poważne obrażenia ciała.

OSTRZEŻENIE sygnalizuje zagrożenie, które, jeśli nie uda się go uniknąć, **może** spowodować śmierć lub poważne obrażenia ciała.

PRZESTROGA sygnalizuje zagrożenie, które, w razie jego nieuniknięcia, **może** spowodować niewielkie lub umiarkowane obrażenia ciała.

UWAGA wskazuje informacje uważane za ważne, ale niezwiązane z zagrożeniem.

Symbole zagrożeń i ich znaczenia

Informacje bezpieczeństwa dotyczące zagrożeń, które mogą spowodować obrażenia.	Przed serwisowaniem urządzenia należy zapoznać się z instrukcją obsługi.
Zagrożenie pożarowe	Zagrożenie wybuchem
Niebezpieczeństwo porażenia elektrycznego	Zagrożenie oparami toksycznymi
Zagrożenie związane z gorącą powierzchnią	Zagrożenie odrzutem

Zagrożenie odcięciem przez elementy ruchome	Poziom paliwa – maks. Nie przepelniać
---	---------------------------------------

Komunikaty dot. bezpieczeństwa



OSTRZEŻENIE

Silniki Briggs & Stratton® nie są przeznaczone i nie powinny być wykorzystywane do napędzania: pojazdów rozrywkowych, gokartów, dziecięcych, rekreacyjnych lub sportowych pojazdów terenowych, motocykli, poduszkowców, urządzeń lotniczych oraz pojazdów używanych podczas imprez wyczynowych niezaprobowanych przez firmę Briggs & Stratton. Informacje na temat produktów przeznaczonych do pojazdów wyścigowych podano na stronie www.briggsracing.com. W celu uzyskania informacji dotyczących użycia produktów w pojazdach użytkowych i terenowych, prosimy skontaktować się z Briggs & Stratton Power Application Center pod numerem 1-866-927-3349. Nieprawidłowe użycie silnika może spowodować poważne obrażenia lub śmierć.

Informacje o utylizacji

		Wszystkie kartony, pudła, zużyty olej i baterie poddać recyklingowi zgodnie z przepisami rządowymi.
--	--	---

Budowa i elementy obsługowe

Elementy obsługowe

Należy dopasować litery odwołania na rysunku 1 i 2 do elementów sterowania silnika na następującej liście:

- Identyfikacja silnika **Model – Typ – Kod**
- Świeca zapłonowa
- Filtr powietrza
- Prętowy wskaźnik poziomu oleju
- Korek spustu oleju
- Pokrywa obudowy dmuchawy
- Filtr oleju
- Rozrusznik elektryczny
- Gaźnik
- Filtr paliwa (jeśli jest na wyposażeniu)
- Pompa paliwa (jeśli jest na wyposażeniu)
- Szybki spust oleju (jeśli jest na wyposażeniu)
- Chłodnica oleju (jeśli jest na wyposażeniu)
- Elektryczny moduł sterowania (jeśli jest na wyposażeniu)

Symbole sterowania i ich znaczenia — silnik

Prędkość silnika — SZYBKO	Prędkość silnika — WOLNO
Prędkość silnika — ZATRZYMANIE	WŁ.–WYŁ.
Zapłon silnika Ssanie ZAMKNIĘTE	Zapłon silnika Ssanie OTWARTE
Korek wlewu paliwa Zawór odcinający paliwo – OTWARTY	Zawór odcinający paliwo – ZAMKNIĘTY

Obsługa



OSTRZEŻENIE

Paliwa są łatwopalne, a ich opary mogą wybuchnąć. Pożar lub wybuch mogą spowodować poważne poparzenia lub doprowadzić do śmierci.

W przypadku wycucia gazu

- Nie uruchamiać silnika.
- Nie włączać przełączników elektrycznych.
- Nie używać telefonu w pobliżu miejsca wycucia gazu.
- Ewakuuj wszystkie istoty żywe z miejsca wycieku.
- Skontaktuj się ze strażą pożarną.

Podczas obsługi urządzenia

- Silnika ani urządzenia nie należy przechylać pod kątem, gdyż może to spowodować rozlanie paliwa.

Po zmianie lokalizacji urządzenia

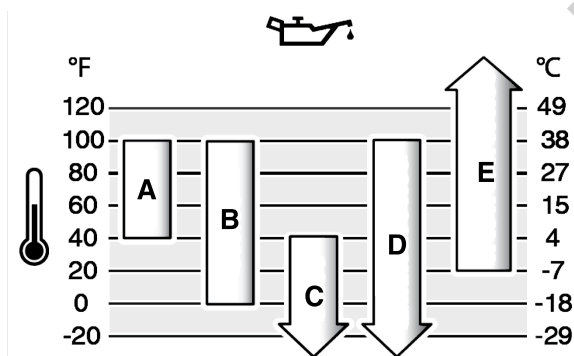
- Upewnij się, że zbiornik paliwa jest PUSTY lub że zawór odcinający paliwo, jeśli jest na wyposażeniu, znajduje się w pozycji ZAMKNIĘTEJ.

Zalecenia dotyczące oleju

Pojemność miski olejowej: Informacje na ten temat można znaleźć w sekcji **Dane techniczne**.

Aby osiągnąć najlepszą wydajność, zaleca się stosowanie olejów z certyfikatem gwarancji firmy Briggs & Stratton®. Dopuszczalne jest stosowanie innych wysokiej jakości olejów detergentowych klas SF, SG, SH, SJ lub wyższych. Nie używać dodatków specjalnych.

Najlepszą lepkość dla zakresu temperatur zewnętrznych należy wybrać przy użyciu wykresu. W większości urządzeń elektrycznych użytkowanych na zewnątrz silniki działają dobrze z olejem syntetycznym 5W-30. W przypadku urządzeń użytkowanych w wysokich temperaturach najlepszą ochronę zapewnia olej syntetyczny Vanguard® 15W-50.



A	SAE 30 – Jeśli olej SAE 30 zostanie użyty w temperaturze poniżej 40°F (4°C), wystąpią trudności z uruchomieniem silnika.
B	10W-30 – W temperaturach powyżej 80°F (27°C) stosowanie oleju 10W-30 może spowodować zwiększone zużycie oleju. Często sprawdzaj poziom oleju.
C	5W-30
D	Syntetyczny 5W-30
E	Vanguard® syntetyczny 15W-50

Sprawdzić poziom oleju w silniku

Przed sprawdzeniem lub dołaniem oleju

- Upewnij się, że silnik jest wypoziomowany.
- Oczyszczyć z wszelkich zanieczyszczeń obszar wlewu oleju.
- Informacje na temat pojemności oleju można znaleźć w sekcji **Dane techniczne**.

UWAGA

Firma Briggs & Stratton dostarcza silnik bez oleju. Producenci lub sprzedawcy wyposażenia mogli wlać olej do silnika. Przed pierwszym uruchomieniem silnika upewnij się, że poziom oleju jest prawidłowy. Dolać olej zgodnie z instrukcjami zawartymi w tej instrukcji. W przypadku uruchomienia silnika bez oleju nastąpi uszkodzenie i silnik nie będzie naprawiany w ramach gwarancji.

1. Wyjąć wskaźnik prętotowy (A, rys. 3) i wytrzeć ściereczką.
2. Zamocować i dokręcić wskaźnik prętotowy (A, rys. 3).
3. Wyjąć wskaźnik i sprawdzić poziom oleju. Upewnij się, że poziom oleju sięga górnego znacznika na wskaźniku (B, rys. 3).

4. Jeśli poziom oleju silnikowego jest niski, należy go powoli uzupełnić (C, rys. 3). Nie należy uzupełniać poziomu zbyt dużą ilością oleju.
5. Po nalaniu oleju odczekać jedną minutę i sprawdzić poziom oleju ponownie. Upewnij się, że poziom oleju jest prawidłowy.
6. Zamocować i dokręcić wskaźnik prętotowy (A, rys. 3).

System ochrony przed niskim poziomem oleju (jeżeli jest na wyposażeniu)

Czujnik niskiego poziomu oleju jest zainstalowany w niektórych silnikach. Jeśli poziom oleju jest niski, czujnik wyświetli lampkę ostrzegawczą lub zatrzyma silnik. Zatrzymać silnik i wykonać poniższe czynności przed uruchomieniem silnika.

- Upewnij się, że silnik jest wypoziomowany.
- Wykonać kontrolę oleju. Patrz rozdział **Kontrola poziomu oleju**.
- Jeśli poziom oleju jest niski, dodać odpowiednią ilość oleju. Uruchomić silnik i upewnij się, że lampka kontrolna (jeśli jest w wyposażeniu) nie zapala się.
- Jeśli poziom oleju nie jest niski, nie uruchamiać silnika. Skontaktować się z autoryzowanym dealerm serwisowym Briggs & Stratton, aby naprawić problem z olejem.

Zalecenia dotyczące paliwa

Paliwo musi spełniać następujące wymogi:

- Czyste, świeże, bezołowiowe.
- Minimalna liczba oktanowa 87/87 AKI (91 RON). Zastosowanie na dużej wysokości, patrz poniżej.
- Dozwolona jest benzyna z maksymalnie 10% zawartością etanolu (gazohol).

UWAGA

Nie stosować niezatwierdzonych benzyn, takich jak E15 czy E85. Nie mieszać oleju z benzyną ani nie modyfikować silnika w celu dostosowania go do pracy na alternatywnych paliwach. Użycie niezatwierdzonych paliw może doprowadzić do nieobjętych gwarancją uszkodzeń podzespołów silnika.

Aby uchronić układ paliwowy od tworzenia się żywic i przed korozją, dodać do paliwa mieszanek bezalkoholowego stabilizatora paliwa i etanolu. Patrz rozdział **Przechowywanie**. Każde paliwo jest inne. Jeśli wystąpią problemy z rozruchem lub wydajnością, należy zmienić dostawcę lub gatunek paliwa. Jest to silnik benzynowy. System kontroli emisji spalin do silników gaźnikowych to EM (modyfikacje silników). Systemy kontroli emisji spalin do silników z elektronicznym wtryskiem paliwa to ECM (moduł sterowania silnikiem), MFI (wielopunktowy wtrysk paliwa), TBI (wtrysk paliwa do korpusu przepustnicy) oraz O2S (czujnik tlenu), jeżeli jest stosowany.

Duże wysokości

Na wysokościach powyżej 5000 stóp (1524 metrów), dopuszczalna jest benzyna co najmniej 85 oktanowa/85 AKI (89 RON).

W przypadku silników gaźnikowych, aby zachować ich sprawność, wymagana jest regulacja dla dużych wysokości. Praca bez takiej regulacji spowoduje obniżenie wydajności, zwiększenie zużycia paliwa i większy emisję spalin. Informacje na temat regulacji dla dużych wysokości można uzyskać u Autoryzowanego dealera serwisowego firmy Briggs & Stratton. Nie zaleca się eksploatacji silnika z regulacją dla dużych wysokości na wysokościach poniżej 2500 stóp (762 metrów).

W przypadku silników z elektronicznym wtryskiem paliwa (EFI) nie jest potrzebna regulacja na dużych wysokościach.

Uzupełnianie paliwa



OSTRZEŻENIE

Paliwo i jego opary są łatwopalne i wybuchowe. Pożar lub wybuch mogą spowodować poważne poparzenia lub doprowadzić do śmierci.

Przy dolewaniu paliwa należy

- Wyłączyć silnik. Przed zdjęciem korka wlewu odczekać co najmniej dwie (2) minuty, aby upewnij się, że silnik jest chłodny.
- Napełnić zbiornik paliwa na zewnątrz lub w miejscu o dobrym przepływie powietrza.
- Nie wlewać zbyt dużo paliwa do zbiornika. Aby zapewnić rozprężanie paliwa, nie należy napełniać zbiornika paliwa powyżej dolnej części szyjki wlewu paliwa.
- Nie wolno trzymać paliwa w pobliżu źródeł iskr, nieosłoniętych płomieni, płomieni pilota, źródła ciepła lub innych źródeł zapłonu.
- Często sprawdzać przewody paliwowe, zbiornik paliwa, korek wlewu paliwa i połączenia pod kątem pęknięć lub wycieków. Wymienić uszkodzone części.
- Jeśli paliwo rozleje się, należy zaczekać, aż odparuje, przed włączeniem silnika.

1. Obszar wlewu paliwa oczyścić z wszelkich zanieczyszczeń i osadów. Odkręcić korek wlewu paliwa.
2. Napełnić zbiornik paliwa (A, rysunek 4) paliwem. Ponieważ paliwo się rozszerza, nie napełniać go powyżej dna szyjki zbiornika paliwa (B).
3. Założyć korek wlewu paliwa.

Uruchamianie silnika



OSTRZEŻENIE

ZAGROŻENIE TRUJĄCYM GAZEM. Gazy wylotowe z silnika zawierają tlenek węgla, trujący gaz, który w ciągu kilku minut może spowodować śmiertelne zatrucie. Nawet jeśli użytkownik nie wyczuwa gazów wylotowych, może być narażony na działanie tlenu węgla. W przypadku odczuwania mdłości, zawrotów głowy lub osłabienia w trakcie pracy z tym urządzeniem należy je NATYCHMIAST wyłączyć i wyjść na świeże powietrze. Skontaktować się z lekarzem. Mogło dojść do zatrucia tlenkiem węgla.

- Gazowy tlenek węgla może gromadzić się w zajmowanych miejscach. Aby zmniejszyć ryzyko emisji tlenu węgla, należy używać tego produktu TYLKO na zewnątrz, z dala od okien, drzwi i otworów wentylacyjnych.
- Zamontować urządzenie alarmujące o obecności tlenu węgla z zasilaniem bateryjnym lub zasilane prądem sieciowym z baterią podtrzymującą, zgodnie z instrukcjami producenta. Alarmy dymowe nie wykrywają obecności tlenu węgla.
- NIE WOLNO uruchamiać urządzenia w domu, garażu, piwnicy, przestrzeni podpodłogowej, szopach i innych zamkniętych pomieszczeniach, nawet jeśli włączone są wiatraki lub otwarte drzwi i okna. Po działaniu tego produktu tlenek węgla może szybko zebrać się w tych przestrzeniach i pozostać przez wiele godzin.
- ZAWSZE umieszczać ten produkt z wiatrem i kierując wylot spalin silnika w kierunku przeciwnym od miejsca, w którym stoją ludzie.



OSTRZEŻENIE

Paliwo i jego opary są łatwopalne i wybuchowe. Pożar lub wybuch mogą spowodować poważne poparzenia lub doprowadzić do śmierci.

Uruchamianie silnika

- Sprawdzić, czy świeca zapłonowa, tłumik, korek wlewu i filtr powietrza (jeśli jest na wyposażeniu) są odpowiednio zainstalowane.
- Nie należy uruchamiać silnika, gdy świeca zapłonowa jest wyjęta.
- Jeśli silnik jest zalany, ustawić ssanie (jeśli jest w wyposażeniu) w położeniu OTWARTE lub PRACA. Przesunąć przepustnicę (jeśli jest w wyposażeniu) do pozycji SZYBKIEJ i obracać korbą do momentu uruchomienia silnika.
- Jeśli w pobliżu występuje wyciek gazu naturalnego lub LP, nie należy uruchamiać silnika.
- Opary są łatwopalne, dlatego nie należy używać płynów rozruchowych pod ciśnieniem.



OSTRZEŻENIE

Części obrotowe mogą wejść w styczność lub chwycić ręce, stopy, włosy, ubranie lub wyposażenie. Może to prowadzić do powodującej uraz psychiczny amputacji lub okaleczenia.

- Obsługiwać sprzęt z prawidłowo zainstalowanymi osłonami.
- Ręce i stopy muszą znajdować się z dala od części wirujących.
- Zdjąć biżuterię i upewnić się, że długie włosy są z dala od wszystkich obracających się części.
- Nie nosić luźnych ubrań ani przedmiotów, które mogłyby zostać pochwycone.

1. Sprawdzić poziom oleju w silniku. Patrz rozdział **Sprawdzanie poziomu oleju**.
2. Sprawdzić, czy kontrolki napędu (jeśli są na wyposażeniu) są rozłączone.
3. Obrócić zawór odcinający dopływ paliwa (A, rysunek 5), jeśli jest na wyposażeniu, do położenia OTWARCIA.
4. Przesunąć dźwignię sterowania przepustnicą (B, rysunek 5), jeżeli jest na wyposażeniu, do położenia SZYBKO.
5. **W przypadku modeli ze sterowaniem przepustnicą ssania** (C, rysunek 5) należy przesunąć sterowanie przepustnicą w położenie ZAMKNIĘCIA. **W przypadku modeli z połączonym sterowaniem przepustnicą ssania/zaworem dławicowym** (G, rysunek 5), jeśli jest na wyposażeniu, należy przesunąć sterowanie w położenie SSANIA. **W przypadku modeli z systemem ReadyStart®** należy przejść do następnego kroku.

UWAGA: Ssanie jest zwykle niepotrzebne podczas uruchamiania ciepłego silnika.

6. Aby uruchomić silnik, obrócić wyłącznik kluczykowy (D, rysunek 5), jeżeli jest na wyposażeniu, do położenia URUCHOMIENIA, lub nacisnąć przycisk (E).
7. W miarę rozgrzewania się silnika przesunąć przepustnicę ssania (C, rysunek 5), jeśli jest na wyposażeniu, do położenia OTWARCIA.

Wyłączanie silnika



OSTRZEŻENIE

Paliwo i jego opary są łatwopalne i wybuchowe. Pożar lub wybuch mogą spowodować poważne poparzenia lub doprowadzić do śmierci.

- Nie włączać ssania gaźnika (jeżeli jest na wyposażeniu) aby zatrzymać silnik.
1. Gdy dźwignia sterowania przepustnicą znajduje się w położeniu WOLNO, obrócić wyłącznik zapłonu (D, rysunek 6), jeżeli jest na wyposażeniu, do położenia WYŁĄCZONY.
 2. Wyjąć kluczyk i przechowywać go w bezpiecznym miejscu.
 3. Po wyłączeniu silnika przekręcić zawór odcinający paliwo (A, rysunek 6), jeżeli jest na wyposażeniu, w położenie ZAMKNIĘCIA.

Konserwacja

Informacje o konserwacji



OSTRZEŻENIE

Paliwo i jego opary są łatwopalne i wybuchowe. Pożar lub wybuch mogą spowodować poważne poparzenia lub doprowadzić do śmierci.

Podczas konserwacji, jeśli konieczne jest przechylenie urządzenia, należy upewnić się, że zbiornik paliwa, jeżeli jest zamontowany na silniku, jest pusty i że strona świecy zapłonowej jest skierowana do góry. Jeśli zbiornik paliwa nie jest pusty, może nastąpić wyciek, który może spowodować pożar lub wybuch. Jeśli silnik zostanie przechylny w innym kierunku, nie będzie można go łatwo uruchomić z powodu zanieczyszczenia olejem lub paliwem filtra powietrza lub świecy zapłonowej.



OSTRZEŻENIE

Przypadkowa iskra silnika może spowodować porażenie prądem, pożar lub wybuch i może doprowadzić do splątania, traumatycznej amputacji lub zranienia.

Przed dokonaniem korekt lub napraw:

- Odłączyć przewody wszystkich świec zapłonowych i trzymać je z dala od świec.
- Odłączyć przewód akumulatora od ujemnego zacisku akumulatora (tylko silniki z zapłonem elektrycznym).
- Używać wyłącznie odpowiednich narzędzi.

Podczas sprawdzania iskry:

- Użyć atestowanego testera świec zapłonowych.
- Nie należy sprawdzać iskry przy wyjętej świecy zapłonowej.



OSTRZEŻENIE

Należy stosować takie same części zamienne i instalować je w tym samym położeniu, co części oryginalne. Inne części mogą spowodować uszkodzenie lub obrażenia.

UWAGA

W celu zapewnienia prawidłowego działania silnika wszystkie elementy wykorzystane do jego wytworzenia muszą pozostawać na swoim miejscu.

Zalecamy skontaktowanie się z autoryzowanym dealerem serwisowym Briggs & Stratton w kwestiach konserwacji i napraw silnika oraz jego części.

Kontrola emisji

Konserwację, wymianę lub naprawę urządzeń i układów kontroli emisji może wykonywać wykwalifikowany warsztat naprawy silników niedrogowych lub serwisant. Aby jednak skorzystać z bezpłatnej usługi kontroli emisji, pracę tę musi wykonać autoryzowany dealer fabryczny. Zobacz oświadczenia w sprawie ograniczenia emisji.

Harmonogram konserwacji

Po pierwszych 5 godzinach pracy
<ul style="list-style-type: none">• Wymienić olej w silniku¹
Co 8 godzin lub codziennie
<ul style="list-style-type: none">• Sprawdzić poziom oleju w silniku.• Czyszczenie obszaru dookoła tłumika i elementów sterowania.• Wyczyścić kratkę wlotu powietrza.
Co 25 godzin lub raz w roku
<ul style="list-style-type: none">• Wyczyścić filtr powietrza².• Wyczyścić filtr wstępny powietrza².

Co 50 godzin lub raz w roku
<ul style="list-style-type: none"> Wymienić olej w silniku³. Wymienić filtr oleju (jeśli jest na wyposażeniu)³. Serwisować układ wydechowy.
Co 100 godzin lub raz w roku
<ul style="list-style-type: none"> Wymienić olej w silniku⁴. Wymienić filtr oleju (jeśli jest na wyposażeniu)⁴.
Raz do roku
<ul style="list-style-type: none"> Wymienić świecę zapłonową. Wymienić filtr powietrza. Wymienić filtr wstępny. Wymienić filtr paliwa Serwisować układ chłodzenia¹. Sprawdzić luz zaworowy⁵.

¹ Tylko silniki bez filtra oleju.

² Czyścić częściej w warunkach dużego zapylenia lub przy obecności zanieczyszczeń w powietrzu.

³ Silniki bez filtra oleju lub ze standardowym czarnym filtrem oleju. Numer części można znaleźć w punkcie *Dane techniczne*.

⁴ Silnik z wysokowydajnym żółtym lub pomarańczowym filtrem oleju. Numer części można znaleźć w *Danych technicznych*.

⁵ Nie jest wymagane, jeśli nie stwierdzono problemów z osiągnięciem silnika.

Elektroniczny system zarządzania paliwem

Elektroniczny system zarządzania paliwem monitoruje temperaturę i prędkość silnika oraz napięcie akumulatora, aby odpowiednio regulować ssanie podczas uruchamiania i nagrzewania silnika. Układ ten nie wymaga regulacji. W przypadku problemów z uruchomieniem lub działaniem należy się skontaktować z Autoryzowanym dealerm serwisowym firmy Briggs & Stratton.

UWAGA Należy zastosować się do poniższych instrukcji. W przeciwnym razie może dojść do uszkodzenia elektronicznego systemu zarządzania paliwem.

- NIE uruchamiać silnika, jeśli przewody akumulatora są luźne.
- Przed podłączeniem przewodów rozruchowych, odłączeniem lub ponownym podłączeniem przewodów akumulatora należy obrócić przełącznik zapłonu w położenie WYŁĄCZENIA. Podczas ładowania akumulatora przełącznik zapłonu musi znajdować się w położeniu WYŁĄCZONYM.
- Podczas odłączenia przewodów od akumulatora należy odłączyć przewód ujemny (-), a następnie przewód dodatni (+) akumulatora. Podczas podłączenia przewodów do akumulatora należy podłączyć do niego najpierw przewód dodatni (+), a następnie ujemny (-).
- NIE uruchamiać silnika z podłączoną ładowarką akumulatora.
- NIE rozłączać przewodów akumulatora w trakcie pracy silnika.
- NIE natryskiwać wody bezpośrednio na elektroniczną jednostkę sterującą.

Gaźnik i prędkość silnika

Nie manipulować przy gaźniku, sprężynie regulatora, łącznikach ani innych częściach, aby zmienić prędkość silnika. Jeśli wymagane są regulacje, skontaktować się z autoryzowanym punktem serwisowym Briggs & Stratton.

UWAGA

Prędkość maksymalna dla silnika zainstalowanego w danym urządzeniu jest określona przez producenta wyposażenia. Nie wolno przekraczać tej prędkości. W przypadku braku pewności, jaka jest maksymalna prędkość wyposażenia lub jakie jest ustawienie fabryczne prędkości silnika, skontaktować się z autoryzowanym punktem serwisowym Briggs & Stratton, aby uzyskać pomoc. Dla bezpiecznego i prawidłowego działania wyposażenia, prędkość obrotowa silnika powinna być regulowana wyłącznie przez wykwalifikowanego serwisanta.

Serwisowanie układu wydechowego i chłodzenia



OSTRZEŻENIE

Podczas pracy silnik i tłumik nagrzewają się. Dotknięcie gorącego silnika może spowodować oparzenia termiczne.

Łatwopalne pozostałości, takie jak liście, trawa i inne zanieczyszczenia mogą się łatwo zapalić.

- Przed dotknięciem silnika lub tłumika zatrzymać silnik i odczekać dwie (2) minuty. Upewnić się, że silnik i tłumik są bezpieczne w dotyku.
- Usunąć zanieczyszczenia z tłumika i silnika.

Używanie lub obsługiwanie silnika na terenie zalesionym, zakrzewionym lub trawiastym, jeśli układ wydechowy silnika nie jest wyposażony w sprawny iskrochron, stanowi naruszenie przepisu 4442 kalifornijskiego kodeksu California Public Resource Code. Inne stany lub federalne jurysdykcje mogą mieć podobne prawa; odniesienie Federalna regulacja 36 CFR część 261.52. Skontaktować się z producentem oryginalnego sprzętu, sprzedawcą detalicznym lub dealerem, aby uzyskać iskrochron przeznaczony do układu wydechowego, zainstalowanego na tym silniku.

Jest to silnik chłodzony powietrzem. Brud lub zanieczyszczenia mogą uniemożliwić przepływ powietrza i spowodować przegrzanie silnika. Powoduje to niezadowolające osiągi silnika i skraca jego żywotność. W żeberkach chłodzących cylindra mogą zbierać się zanieczyszczenia, których nie można usunąć bez częściowego demontażu silnika. Należy upewnić się, że Autoryzowany dealer serwisowy Briggs & Stratton sprawdził i oczyścił układ chłodzenia powietrza. Patrz rozdział **Harmonogram konserwacji**.

- Upewnić się, że wokół tłumika i za nim nie ma materiałów palnych.
- Za pomocą szczotki lub suchej szmatki należy usunąć wszystkie niepożądane zanieczyszczenia z okolic pokrywy obudowy dmuchawy, tłumika i cylindra. NIE WOLNO czyścić silnika wodą.
- Upewnić się, że cięgna, sprężyny i elementy sterujące są czyste.
- Skontrolować stan tłumika pod kątem pęknięć, korozji bądź innych uszkodzeń.
- Zdemontować chwytacz iskier, jeśli jest na wyposażeniu, po czym skontrolować go pod kątem uszkodzeń oraz obecności nagaru. Upewnić się, że przed uruchomieniem urządzenia wyczyszczono lub zamontowano części zamienne.
- Upewnić się, że żebra chłodnicy oleju, jeśli są na wyposażeniu, są czyste.

Serwisowanie świecy zapłonowej

Sprawdzić szczelinę świecy (A, rys. 7) za pomocą szczelinomierza (B). Jeżeli konieczne, ponownie ustawić szczelinę świecy. Zamontować i przykręcić świecę zapłonową z prawidłowym momentem obrotowym. Dane techniczne dotyczące odstępu i momentu obrotowego znajdują się w rozdziale *Dane techniczne*.

Wymiana oleju silnikowego



OSTRZEŻENIE

Paliwo i jego opary są łatwopalne i wybuchowe. Pożar lub wybuch mogą spowodować poważne poparzenia lub doprowadzić do śmierci.

Podczas pracy silnik i tłumik nagrzewają się. Dotknięcie gorącego silnika może spowodować oparzenia termiczne.

- W przypadku spuszczenia oleju z górnej rurki wlewu oleju zbiornik paliwa musi być pusty. Jeśli nie jest pusty, może dojść do wycieku paliwa, co może doprowadzić do pożaru lub wybuchu.
- Przed dotknięciem silnika lub tłumika zatrzymać silnik i odczekać dwie (2) minuty. Upewnić się, że silnik i tłumik są bezpieczne w dotyku.

Zużyty olej stanowi zagrożenie dla środowiska i powinien być właściwie utylizowany. Nie wlewać go do odpadów domowych. Informacje dotyczące bezpiecznego usuwania lub miejsc utylizacji oleju można uzyskać od władz lokalnych, w centrach serwisowych lub u dealera.

Usuwanie oleju

- Gdy silnik jest wyłączony (OFF), ale wciąż jeszcze ciepły, odłączyć przewód lub przewody świecy zapłonowej (D, rys. 8) i odsunąć go od świecy lub świec (E).
- Wyjąć wskaźnik prętotowy (A, rys. 9).

Korek spustu oleju, jeśli jest na wyposażeniu

- Wyjąć korek spustu oleju (F, rys. 10). Spuścić olej do atestowanego pojemnika.

UWAGA: Korki spustu oleju (G, rys. 10) mogą być zamontowane na silniku.

- Po spuszczeniu oleju ponownie zamocować i przykręcić korek spustowy (F, rys. 10).

Szybki spust oleju, jeśli jest na wyposażeniu

- Odłączyć przewód szybkiego spustu oleju (H, rys. 11) od silnika.

- Obrócić i zdjąć korek spustowy (I, rys. 11). Ostrożnie opuścić wylot szybkiego spustu oleju (H) do zatwierdzonego pojemnika (J).
- Po odprowadzeniu oleju ponownie zamocować i przykręcić korek szybkiego spustu oleju (I, rys. 11). Zamocować przewód szybkiego spustu oleju (H) do silnika.

Dodawanie oleju

- Upewnić się, że silnik jest wypoziomowany.
 - Oczyścić z wszelkich zanieczyszczeń obszar wlewu oleju.
 - Informacje na temat pojemności oleju można znaleźć w sekcji **Dane techniczne**.
- Wyjąć wskaźnik prętowy (A, rys. 3). Za pomocą czystej ściereczki usunąć olej ze wskaźnika prętowego.
 - Powoli wlać olej przez otwór do napełniania (C, rys. 3). **Nie dodawać zbyt dużo oleju do wlewu oleju.** Po nalaniu oleju odczekać jedną minutę i sprawdzić poziom oleju.

UWAGA: Nie dolewać oleju przez szybki spust oleju, jeśli silnik jest w niego wyposażony.

- Zamocować i dokręcić wskaźnik prętowy (A, rys. 3).
- Wyjąć wskaźnik i sprawdzić poziom oleju. Poziom oleju jest prawidłowy, jeśli sięga górnego znacznika na wskaźniku (B, rys. 3).
- Zamocować i dokręcić wskaźnik prętowy (A, rys. 3).
- Podłączyć przewód lub przewody świecy zapłonowej do świecy lub świec. Zapoznać się z częścią **Usuwanie oleju**.

Wymiana filtra oleju

- Spuścić olej z silnika. Patrz rozdział **Usuwanie oleju**.
- Wyjąć filtr oleju (H, rys. 12) i zutylizować prawidłowo.
- Przed zainstalowaniem nowego filtra oleju delikatnie nasmarować uszczelkę filtra oleju czystym olejem.
- Instalować ręcznie filtr oleju do chwili, aż uszczelka dotknie łącznika filtra, a następnie dokręcić filtr oleju o 1/2 do 3/4 obrotu.
- Uzupełnić ilość oleju. Patrz rozdział **Dolewanie oleju**.
- Uruchomić silnik i pozwolić na jego pracę. Gdy silnik będzie ciepły, sprawdzić, czy olej nie wycieka.
- Wyłączyć silnik. Upewnić się, że poziom oleju sięga górnego znacznika na wskaźniku Patrz rozdział **Dolewanie oleju**.

Serwisowanie filtra powietrza

OSTRZEŻENIE

Paliwa są łatwopalne, a ich opary mogą wybuchnąć. Pożar lub wybuch mogą spowodować poważne poparzenia lub doprowadzić do śmierci.

- Nie należy włączać silnika ze zdjętym zestawem do oczyszczania powietrza (jeśli znajduje się na wyposażeniu) lub filtrem powietrza (jeśli znajduje się na wyposażeniu).

UWAGA

Do czyszczenia filtra nie należy używać sprężonego powietrza lub rozpuszczalników. Sprężone powietrze może uszkodzić filtr, a rozpuszczalniki mogą spowodować jego rozpuszczenie.

Wymagania serwisowe opisano w rozdziale **Harmonogram konserwacji**.

Różne modele używają pianki lub filtra papierowego. Niektóre modele wyposażone są również w filtr wstępny, który można umyć i wykorzystać ponownie. Porównać rysunki w niniejszej instrukcji z posiadanym silnikiem i odpowiednio przeprowadzić serwisowanie.

Papierowy filtr powietrza (z filtrem wstępnym)

- Poluzować elementy mocujące (A, rys.13).
- Zdjąć pokrywę filtra powietrza (B, rys. 13).
- Wyjąć filtr (C, rys. 13) i filtr wstępny (D), jeśli jest na wyposażeniu.
- Aby usunąć wszelkie zabrudzenia, delikatnie ostukać filtr o twardą powierzchnię. Jeśli filtr jest zabrudzony, wymienić go na nowy.
- Wyczyścić filtr wstępny (D, rys. 13), jeśli jest na wyposażeniu, w detergencie płynnym i wodzie. Poczekać, aż filtr wstępny całkowicie wyschnie. **NIE** smarować filtra wstępnego.
- Zamontować suchy filtr wstępny (D, rys. 13), jeśli jest na wyposażeniu, i filtr (C) w obudowie filtra powietrza (E).
- Zamknąć pokrywę filtra powietrza (B, rys. 13) i zabezpieczyć elementami mocującymi (A). Sprawdzić, czy elementy mocujące są dobrze dokręcone.

Zespół filtra powietrza (wkład z filtrem wstępnym)

- Poluzować elementy mocujące (A, rys. 14, 15).

- Zdjąć pokrywę filtra powietrza (B, rys. 14, 15).
- W celu wyjęcia filtra powietrza (C, rys. 14, 15) podnieść koniec filtra.
- Aby usunąć wszelkie zabrudzenia, delikatnie ostukać filtr o twardą powierzchnię. Jeśli filtr jest zabrudzony, wymienić go na nowy.
- Wyjąć filtr wstępny (D, rys. 14, 15) z filtra (C).
- Wyczyścić filtr wstępny (D, rys. 14, 15) w detergencie płynnym i wodzie. Poczekać, aż filtr wstępny całkowicie wyschnie. **NIE** smarować filtra wstępnego.
- Zamontować suchy filtr wstępny (D, rys. 14, 15), jeśli jest na wyposażeniu, w filtrze.
- Zamontować filtr (C, rys. 14, 15) i filtr wstępny (D), jeśli jest na wyposażeniu, w obudowie filtra (E) i docisnąć w dół aż do zablokowania.
- Zamknąć pokrywę filtra powietrza (B, rys. 14, 15) i zabezpieczyć elementami mocującymi (A). Sprawdzić, czy elementy mocujące są dobrze dokręcone.

Serwisowanie układu paliwowego

OSTRZEŻENIE

Paliwo i jego opary są łatwopalne i wybuchowe. Pożar lub wybuch mogą spowodować poważne poparzenia lub doprowadzić do śmierci.

- Nie wolno trzymać paliwa w pobliżu źródeł iskier, nieosłoniętych płomieni, płomieni pilota, źródła ciepła lub innych źródeł zapłonu.
- Często sprawdzać przewody paliwowe, zbiornik paliwa, korek wlewu paliwa i połączenia pod kątem pęknięć lub wycieków. Wymienić uszkodzone części.
- Jeśli paliwo rozleje się, należy poczekać, aż odparuje, przed włączeniem silnika.

Filtr paliwa, jeżeli jest na wyposażeniu

- Przed wymianą filtra paliwa (A, rys. 16) opróżnić zbiornik paliwa lub zamknąć zawór odcinający paliwo. Jeśli zbiornik paliwa nie zostanie opróżniony, paliwo może wyciec i spowodować pożar lub wybuch.
- Za pomocą szczypiec ścisnąć występy (B, rys. 16) na zaciskach (C), a odsunąć zaciski od filtra paliwa (A).
- Skrócić i ściągnąć przewody paliwowe (D, rys. 16) z filtra paliwa.
- Sprawdzić przewody paliwa (D, rys. 16) pod kątem pęknięć lub przecieków. Jeśli to konieczne, wymienić przewody paliwowe.
- Wymienić filtr paliwa (A, rys. 16).
- Podłączyć przewody paliwa (D, rys. 16) za pomocą zacisków (C).

Przechowywanie

Układ paliwowy

Patrz rysunek: 17.

OSTRZEŻENIE

Paliwo i jego opary są łatwopalne i wybuchowe. Pożar lub wybuch mogą spowodować poważne poparzenia lub doprowadzić do śmierci.

Przechowywanie paliwa

- Ponieważ lampki kontrolne lub inne źródła zapłonu mogą powodować wybuchy, należy trzymać paliwo lub sprzęt z dala od pieców, podgrzewaczy wody lub innych urządzeń wyposażonych w lampki kontrolne.

Silnik należy przechowywać w pozycji poziomej (prawidłowe położenie robocze). Napełnić zbiornik paliwa (A, rys. 17) paliwem. Aby umożliwić rozprężanie paliwa, nie należy napełniać zbiornika paliwa powyżej szyjki wlewu paliwa (B).

Przechowywanie paliwa w kanistrze przez okres przekraczający 30 dni może spowodować jego zwiertzenie. Zaleca się dodawanie stabilizatora do paliwa przechowywanego w kanistrze mieszanki bezalkoholowego stabilizatora paliwa i etanolu, aby zapobiec degradacji paliwa i utrzymać jego świeżość.

Po napełnieniu kanistra paliwem należy dodać bezalkoholowy stabilizator paliwa zgodnie z instrukcjami producenta. Jeśli do paliwa znajdującego się w silniku nie dodano stabilizatora paliwa, paliwo należy spuścić do odpowiedniego pojemnika. Uruchomić silnik na czas potrzebny do wyczerpania resztek paliwa.

Olej silnikowy

Kiedy silnik jest wciąż ciepły, wymienić olej. Patrz część **Wymiana oleju silnikowego**.

Rozwiązywanie problemów Wsparcie

Celem uzyskania pomocy skontaktować się ze sprzedawcą, odwiedzić stronę internetową **BRIGGSandSTRATTON.COM** lub zadzwonić pod numer telefonu **1-800-444-7774** (tylko w USA).

Specyfikacje i części zamienne

Dane techniczne	Model: 400000	Model: 440000
Pojemność skokowa	40.03 ci (656 cm ³)	44.18 ci (724 cm ³)
Średnica cylindra	2.970 cala (75,43 mm)	3.120 cala (79,24 mm)
Skok	2.890 cala (73,41 mm)	2.890 cala (73,41 mm)
Pojemność miski olejowej	62 - 64 oz (1,8 - 1,9 l)	62 - 64 oz (1,8 - 1,9 l)
Szczelina świecy	.030 cala (.76 mm)	.030 cala (.76 mm)
Moment dokręcenia świecy zapłonowej	180 lb-in (180 Nm)	180 lb-in (20 Nm)
Szczelina powietrzna cewki	.008 - .012 in (.20 - .30 mm)	.008 - .012 in (.20 - .30 mm)
Luz zaworu ssącego	.004 - .006 in (.10 - .15 mm)	.004 - .006 in (.10 - .15 mm)
Luz zaworu wydechowego	.004 - .006 in (.10 - .15 mm)	.004 - .006 in (.10 - .15 mm)

Dane techniczne	Model: 490000
Pojemność skokowa	49.42 ci (810 cm ³)
Średnica cylindra	3.300 in (83,81 mm)
Skok	73,41 cala (2.890 mm)
Pojemność miski olejowej	66 - 68 oz (1,9 - 2,0 l)
Szczelina świecy	.76 cala (.030 mm)
Moment dokręcenia świecy zapłonowej	180 lb-in (180 Nm)
Szczelina powietrzna cewki	.008 - .012 cala (.20 - .30 mm)
Luz zaworu ssącego	.10 - .15 cala (.004 - .006 mm)
Luz zaworu wydechowego	.004 - .006 cala (.10 - .15 mm)

Części serwisowe

Aby kupić części serwisowe Briggs & Stratton, znajdź Autoryzowanego dealera serwisowego: BRIGGSandSTRATTON.COM. Potrzebny będzie numer identyfikacyjny (model – typ – wersja). Aby znaleźć numer identyfikacyjny silnika, patrz rozdział **Budowa i elementy obsługowe**.

Moc znamionowa

Moc znamionowa brutto poszczególnych modeli silników benzynowych jest podawana zgodnie z przepisami J1940 (Procedura oznaczania wartości znamionowej mocy i momentu obrotowego dla małych silników) ustalonymi przez stowarzyszenie SAE (Society of Automotive Engineers) i została uzyskana zgodnie z wymaganiami normy SAE J1995. Wartości momentu obrotowego zostały określone przy prędkości obrotowej 2600 obr./min w przypadku tych silników, które mają oznaczenie „rpm” (obr./min) podane na tabliczce znamionowej oraz przy prędkości obrotowej 3060 obr./min w przypadku wszystkich pozostałych silników. Wartości mocy wyrażanej w koniach mechanicznych zostały obliczone przy prędkości obrotowej 3600 obr./min. Z krzywymi mocy maksymalnej można zapoznać się na stronie www.BRIGGSandSTRATTON.COM. Wartości mocy netto uzyskano podczas mierzenia z zainstalowanym wydechem i filtrem powietrza, podczas gdy maksymalne wartości mocy silnika uzyskano bez tych elementów. Rzeczywista maksymalna moc silnika będzie wyższa od wartości mocy netto silnika i będą mieć na to wpływ, między innymi, zewnętrzne warunki eksploatacji oraz różnice jednostkowe pomiędzy poszczególnymi silnikami. Przy tak szerokim asortymencie produktów, w których silniki są montowane, w konkretnym urządzeniu silnik benzynowy może nie uzyskać maksymalnej mocy znamionowej. Takie różnicowanie jest skutkiem działania wielu czynników, w tym między innymi elementów silnika (filtr powietrza, wydech, poziom naładowania akumulatora, chłodzenie, gaźnik, pompa paliwowa itd.), ograniczeń dotyczących stosowania, zewnętrznych warunków eksploatacji (temperatura, wilgotność, wysokość) oraz indywidualnych różnic pomiędzy silnikami. Z uwagi na ograniczenia produkcyjne i pojemnościowe firma Briggs & Stratton może zastępować silniki tej serii silnikami o wyższej mocy znamionowej.

Gwarancja

Gwarancja na silnik Briggs & Stratton®

Obowiązuje od sierpnia 2022 r.

Ograniczona gwarancja

Briggs & Stratton gwarantuje, że we wskazanym poniżej okresie gwarancji dokona nieodpłatnej naprawy lub wymiany dowolnej części obciążonej wadami materiałowymi, wadami wykonania lub obydwojoma rodzajami wad na nową, odnowioną lub ponownie wyprodukowaną część, według wyłącznego uznania Briggs & Stratton. Koszty transportu produktów dostarczanych do naprawy lub wymiany w ramach niniejszej Gwarancji ponosi nabywca. Gwarancja jest ważna przez okres podany poniżej i podlega warunkom określonym poniżej. Aby skorzystać z obsługi gwarancyjnej,

należy wyszukać najbliższy autoryzowany punkt serwisowy na mapie w wyszukiwarce dealerów dostępnej pod adresem BRIGGSandSTRATTON.COM. Nabywca musi zwrócić się do autoryzowanego punktu serwisowego, a następnie udostępnić mu produkt do kontroli i sprawdzenia.

Nie udziela się innej wyraźnej gwarancji. Gwarancje domniemane, w tym między innymi gwarancja wartości handlowej lub przydatności do konkretnego celu są ważne przez jeden rok od daty zakupu lub przez okres, na jaki pozwala prawo. Wyłącza się odpowiedzialność z tytułu wszelkich innych gwarancji dorozumianych. Odpowiedzialność z tytułu szkód pośrednich lub następczych jest wykluczona w zakresie dopuszczalnym przez prawo. Niektóre stany lub kraje mogą nie zezwalać na ograniczenie okresu gwarancji domniemanej, a inne stany lub kraje nie zezwalają na wykluczenie lub ograniczenie odpowiedzialności z tytułu szkód pośrednich i następczych, w związku z czym powyższe ograniczenie oraz wyłączenie mogą nie dotyczyć niektórych użytkowników. Gwarancja ta zapewnia określone ustawowe prawa oprócz innych praw obowiązujących w różnych krajach lub stanach.

Standardowe warunki gwarancji^{1, 2}

Vanguard®, seria komercyjna

Zastosowanie konsumenckie – 36 miesięcy

Zastosowanie komercyjne – 36 miesięcy

XR Series

Zastosowanie konsumenckie – 24 miesiące

Zastosowanie komercyjne – 24 miesiące

Wszystkie inne silniki wyposażone w tuleje żelwne Dura-Bore™

Zastosowanie konsumenckie – 24 miesiące

Zastosowanie komercyjne – 12 miesięcy

Wszystkie inne silniki

Zastosowanie konsumenckie – 24 miesiące

Zastosowanie komercyjne – 3 miesiące

¹ Są to nasze standardowe warunki gwarancji, jednak w niektórych przypadkach zakres gwarancji może być rozszerzony, co nie zostało określone w momencie publikacji. Lista aktualnych warunków gwarancji dla danego silnika znajduje się na stronie BRIGGSandSTRATTON.COM lub można ją uzyskać w autoryzowanym punkcie serwisowym firmy Briggs & Stratton.

² Gwarancja nie obowiązuje w przypadku silników stosowanych w sprzęcie używanym do pracy z większym obciążeniem zamiast przewidzianego, generatorów rezerwowych używanych dla celów komercyjnych, silników stosowanych w pojazdach użytkowych przekraczających 25 mil na godzinę, a także silników używanych w wyścigach lub na torach komercyjnych, lub wynajętych.

* W Australii nasze produkty są objęte gwarancjami, których zgodnie z australijskim prawem konsumenckim nie można wyłączyć. Użytkownikowi przysługuje wymiana urządzenia lub zwrot pieniędzy w razie poważnej awarii oraz odszkodowanie z tytułu wszelkich innych racjonalnie przewidywalnych strat i szkód. Użytkownikowi przysługuje również prawo do naprawy lub wymiany towaru, jeśli jakość towaru jest nieakceptowalna, a jego awaria nie kwalifikuje się jako poważna. Aby skorzystać z obsługi gwarancyjnej, należy wyszukać najbliższy autoryzowany punkt serwisowy na mapie dostępnej w witrynie BRIGGSandSTRATTON.COM, zadzwonić pod numer 1300 274 447 lub przesłać wiadomość e-mail bądź list na adres odpowiednio salesenquires@briggsandstratton.com.au lub Briggs & Stratton Australia Pty Ltd, 1 Moorebank Avenue, Moorebank, NSW, Australia, 2170.

Okres ważności gwarancji rozpoczyna się w dniu zakupu przez pierwszego konsumenta detalicznego lub komercyjnego użytkownika końcowego i trwa przez okres podany w powyższej tabeli. „Zastosowanie konsumenckie” oznacza użytkowanie we własnym gospodarstwie domowym konsumenta. „Zastosowanie komercyjne” oznacza wszystkich innych użytkowników wykorzystujących urządzenie do celów komercyjnych, zarobkowych i podwywajmu. Jeżeli silnik był choć raz stosowany w celach komercyjnych, to w rozumieniu tej gwarancji traktowany będzie jako silnik o zastosowaniu komercyjnym.

Do uzyskania gwarancji na produkty marki Briggs & Stratton nie jest wymagana żadna rejestracja. Zachować dowód zakupu. Jeśli w momencie zgłoszenia żądania naprawy gwarancyjnej użytkownik nie przedstawi dowodu zakupu, okres obowiązywania gwarancji zostanie ustalony na podstawie daty wyprodukowania urządzenia.

Informacja o gwarancji

Gwarancja obejmuje wyłącznie wady materiałowe i/lub produkcyjne silnika, natomiast nie dotyczy ona wymiany lub zwrotu kosztów sprzętu, w którym zamontowano silnik. Konserwacja okresowa, dostrajanie, regulacje lub normalne zużycie nie są objęte gwarancją. Podobnie, gwarancja nie ma zastosowania, gdy silnik został zmieniony lub zmodyfikowany bądź numer seryjny silnika jest nieczytelny lub został usunięty. Niniejsza gwarancja nie obejmuje uszkodzenia silnika lub problemów jego z działaniem spowodowanych przez:

1. Użycie części, które nie Briggs & Stratton

2. Eksploatację silnika z olejem smarowym w niedostatecznej ilości, zanieczyszczonym lub niewłaściwego gatunku;
3. Użycie paliwa zanieczyszczonego lub przestarzałego, benzyny zawierającej więcej niż 10% etanolu lub użycie paliw alternatywnych, takich jak płynna ropa naftowa lub gaz ziemny w silnikach, które nie zostały oryginalnie zaprojektowane/ wyprodukowane przez firmę Briggs & Stratton do zasilania takimi paliwami;
4. Zanieczyszczenia, które przedostały się do silnika z powodu niewłaściwej konserwacji lub niewłaściwego ponownego montażu filtra powietrza;
5. Uderzenie obiektu przez nóż kosiarki obrotowej, luźny lub niewłaściwie zamontowany adapter noża, wirniki lub inne elementy sprzężone z wałem korbowym lub nadmierne napięcie pasa klinowego;
6. Współpracujące części lub zespoły, takie jak sprzęgła, przekładnie, elementy obsługi sprzętu itp. niebędące produktem firmy Briggs & Stratton;
7. Przegrzanie spowodowane przez ścinki trawy, brud i resztki lub gniazda gryzoni, które zatykają lub zapychają obszary żeberek chłodzących lub koła zamachowego lub przez pracę silnika bez dostatecznej wentylacji;
8. Nadmierne drgania spowodowane nadmierną prędkością, luźnymi mocowaniami silnika, luźnymi lub niewyważonymi nożami lub wirnikami, lub nieprawidłowym sprzęgnięciem komponentów wyposażenia z wałem korbowym;
9. Niewłaściwe użytkowanie, brak okresowej konserwacji, niewłaściwy transport, obsługę lub składowanie wyposażenia lub niewłaściwą instalację silnika.

Obsługę gwarancyjną zapewniają wyłącznie autoryzowane serwisy firmy Briggs & Stratton. W celu uzyskania usługi gwarancyjnej należy skontaktować się z najbliższym autoryzowanym punktem serwisowym znalezionym na mapie dostępnej w witrynie BRIGGSandSTRATTON.COM lub zadzwonić pod numer 1-800-444-7774 (w USA).

80114782 (wersja A)

Informații generale



Acest manual conține informații de siguranță cu privire la pericolele și riscurile asociate motorului, precum și la modul în care le puteți preveni. De asemenea, conține procedurile corecte de operare și întreținere ale acestui motor. Este important să citiți, să înțelegeți și să urmați aceste instrucțiuni. **Păstrați acest manual pentru a-l consulta ulterior.**

NOTĂ: Figurile și ilustrațiile din acest manual sunt doar în scop de informare și pot diferi de modelul dumneavoastră. Folosiți figurile care corespund configurației motorului dvs. Dacă este necesar, adresați-vă unui dealer autorizat de service.

Înregistrați data achiziției, modelul motorului, tipul și subtipul, precum și numărul de serie al motorului, la solicitarea de piese de schimb. Aceste numere se află pe motorul dvs. Consultați secțiunea **Caracteristici și comenzi**.

Data achiziției	
Modelul - Tipul - Subtipul motorului	
Număr de serie al motorului	

Informații de contact biroul European

Pentru întrebări privind emisiile la nivel european, contactați Biroul nostru pentru Europa la adresa:

Max-Born-Straße 2, 68519 Viernheim, Germania.

Uniunea Europeană (UE) Etapa V (5): Valorile emisiilor de dioxid de carbon (CO₂)

Introduceți CO₂ în fereastra de căutare de pe site-ul BriggsandStratton.com pentru a afla valorile emisiilor de dioxid de carbon ale motoarelor Briggs & Stratton cu certificat de omologare de tip UE.

Siguranța operatorului

Simbolul de alertă privind siguranța și cuvintele de atenționare



Simbolul de alertă privind siguranța identifică informațiile referitoare la pericole care pot provoca vătămări corporale. Împreună cu simbolul de alertă este folosit un cuvânt de atenționare (**PERICOL**, **AVERTISMENT**, sau **ATENȚIE**) care indică probabilitatea și gravitatea posibilelor vătămări. În plus, se folosește un simbol de pericol pentru a reprezenta tipul de pericol.

PERICOL indică un pericol care, dacă nu este evitat, va avea ca rezultat decesul sau vătămarea corporală gravă.

AVERTISMENT indică un pericol care, dacă nu este evitat, poate avea ca rezultat decesul sau vătămarea corporală gravă.

ATENȚIE indică un pericol care, dacă nu este evitat, poate solda cu vătămări corporale minore sau moderate.

NOTIFICARE indică informațiile considerate ca fiind importante, însă care nu au legătură cu un pericol.

Simboluri de pericol și explicația acestora

Informații de siguranță despre pericolele care pot avea ca rezultat vătămări corporale.	Citiți și înțelegeți Manualul de utilizare înainte de a folosi sau servisa motorul.
Pericol de incendiu	Pericol de explozie
Pericol de șoc	Pericol de vapori toxici
Pericol de suprafață fierbinte	Pericol de recul

Pericol de amputare - piese în mișcare	Nivel combustibil - Maxim Nu alimentați în exces
--	---

Mesaje privind siguranța



AVERTISMENT

Motoarele Briggs & Stratton® nu sunt proiectate și nu trebuie folosite pentru motorizarea: karturilor recreaționale, vehiculelor de teren (ATV-uri) pentru copii, recreaționale sau sportive; motocicletelor; vehiculelor pe pernă de aer; produselor aeronautice; sau vehiculelor folosite în competiții care nu sunt aprobate de Briggs & Stratton. Pentru informații despre produsele destinate competițiilor, consultați www.briggsracing.com. Pentru utilizarea cu ATV-uri utilitare și de tip side-by-side, contactați Briggs & Stratton Power Application Center, 1-866-927-3349. Utilizarea incorectă a motoarelor poate avea ca rezultat decesul sau vătămarea corporală gravă.

Informații privind reciclarea



Reciclați toate cutiile de carton, lăzile, uleiul folosit și bateriile în conformitate cu regulamentele aplicabile ale autorităților.

Caracteristici și comenzi

Comenzile motorului

Comparați literele mesajelor din Figurile 1 și 2 cu comenzile motorului din lista de mai jos:

- A. Numerele de identificare a motorului **Model - Tip - Cod**
- B. Bujie
- C. Filtru de aer
- D. Jojă de ulei
- E. Bușon de scurgere a uleiului
- F. Capacul carcasei suflantei
- G. Filtru de ulei
- H. Electromotor
- I. Carburator
- J. Filtrul de combustibil (dacă există)
- K. Pompa de combustibil (dacă există)
- L. Scurgerea rapidă a uleiului (dacă există)
- M. Radiatorul de ulei (dacă există)
- N. Unitatea electrică de comandă (dacă există)

Simbolurile comenzilor motorului și explicația acestora

Turație motor - RAPID	Turație motor - LENT
Turație motor - STOP	PORNIT - OPRIT
Pornirea motorului Șoc ÎNCHIS	Pornirea motorului Șoc DESCHIS
Bușon rezervor Robinet de închidere a combustibilului DESCHIS	Robinet de închidere a combustibilului ÎNCHIS

Funcționare



AVERTISMENT

Combustibilii sunt inflamabili, iar vaporii lor sunt explozivi. Incendiul sau explozia pot provoca arsuri sau decesul.

Dacă simțiți miros de gaz

- Nu porniți motorul.
- Nu acționați comutatoare electrice.
- Nu folosiți telefonul în zona respectivă.
- Evacuați zona.
- Contactați pompierii.

Când utilizați echipamentul

- Nu înclinați motorul sau echipamentul la un unghi care determină vărsarea benzinei.

Dacă schimbați locul de amplasare a echipamentului

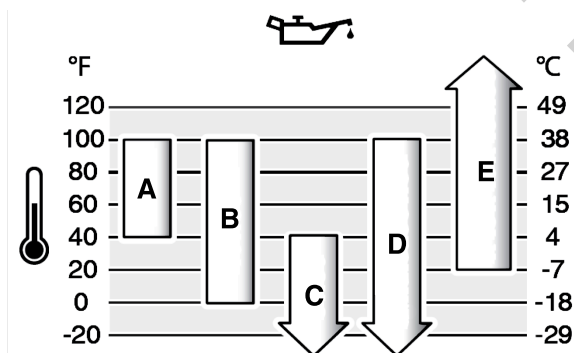
- Asigurați-vă că rezervorul de combustibil este GOL sau că robinetul de oprire a combustibilului este în poziția ÎNCHIS, dacă este instalat.

Recomandări referitoare la ulei

Capacitate ulei: Consultați secțiunea **Specificații**.

Pentru cea mai bună performanță vă recomandăm uleiurile certificate și garantate de la Briggs & Stratton®. Alte uleiuri de calitate superioară cu rol de curățare sunt permise dacă sunt clasificate pentru service SF, SG, SH, SJ sau clase superioare. NU folosiți aditivi speciali.

Utilizați diagrama pentru a selecta cea mai bună viscozitate pentru prognoza intervalului de temperatură din exterior. Motoarele de la majoritatea echipamentelor electrice de exterior funcționează bine cu ulei sintetic 5W-30. Pentru echipamentele ce funcționează la temperaturi ridicate, uleiul sintetic Vanguard® 15W-50 oferă cea mai bună protecție.



A	SAE 30 - Sub 40°F (4°C), utilizarea SAE 30 va avea ca rezultat o pornire grea.
B	10W-30 - Peste 80°F (27°C), utilizarea de 10W-30 poate cauza creșterea consumului de ulei. Verificați frecvent nivelul uleiului.
C	5W-30
D	Sintetic 5W-30
E	Vanguard® Sintetic 15W-50

Verificarea nivelului uleiului

Înainte să verificați sau să adăugați ulei

- Asigurați-vă că motorul este orizontal.
- Curățați zona orificiului de alimentare cu ulei de reziduuri.
- Consultați secțiunea **Specificații** pentru detalii cu privire la capacitatea uleiului.

NOTIFICARE

Acest motor este livrat de către Briggs & Stratton fără ulei. Este posibil ca producătorii sau distribuitorii echipamentului să fi adăugat ulei la motor. Înainte să porniți motorul pentru prima dată, asigurați-vă că nivelul uleiului este corect. Adăugați ulei așa cum se specifică în instrucțiunile din acest manual. Pornirea motorului fără ulei provoacă defectarea motorului, care nu este acoperită de garanție.

1. Scoateți joja (A, Figura 3) și ștergeți-o cu o cârpă.
2. Montați și strângeți joja (A, Figura 3).
3. Scoateți joja și verificați nivelul uleiului. Asigurați-vă că nivelul uleiului este în partea superioară a indicatorului de plin (B, Figura 3) de pe joă.
4. Dacă nivelul uleiului este scăzut, turnați lent ulei în orificiul de alimentare cu ulei (C, Figura 3). Nu adăugați prea mult ulei.

5. Așteptați un minut și verificați din nou nivelul uleiului. Asigurați-vă că nivelul uleiului este corect.
6. Montați și strângeți joja (A, Figura 3).

Sistem de protecție împotriva nivelului scăzut al uleiului (dacă există)

Unele motoare sunt echipate cu un senzor care indică nivelul scăzut al uleiului. Dacă nivelul uleiului este scăzut, senzorul va afișa o lumină de avertizare sau mesajul de oprire a motorului. Opriți motorul și efectuați pașii următori înainte de a porni motorul.

- Asigurați-vă că motorul este orizontal.
- Verificați nivelul uleiului. Consultați secțiunea **Verificarea nivelului de ulei**.
- Dacă nivelul uleiului este scăzut, adăugați cantitatea de ulei corectă. Porniți motorul și asigurați-vă că lumina de avertizare (dacă există) nu se aprinde.
- Dacă nivelul uleiului este scăzut, nu porniți motorul. Luați legătura cu un dealer autorizat de service Briggs & Stratton pentru a remedia problema cu uleiul.

Recomandări referitoare la combustibil

Combustibilul trebuie să îndeplinească următoarele cerințe:

- Benzină curată, proaspătă, fără plumb.
- Cifra octanică minim 87/87 AKI (91 RON). Utilizare la altitudini ridicate - consultați informațiile de mai jos.
- Este permisă benzină cu până la 10% etanol (gazohol).

NOTIFICARE

Nu utilizați tipuri neaprobate de benzină, cum ar fi E15 și E85. Nu amestecați ulei în benzină și nu modificați motorul pentru a funcționa cu combustibili alternativi. Folosirea combustibililor neapropați va avea ca rezultat deteriorarea componentelor motorului, în acest caz reparația nefiind acoperită de garanție.

Pentru protejarea sistemului de combustibil de formarea de gume și coroziune, amestecați un aditiv pentru combustibil fără alcool și un tratament pe bază de etanol în combustibil. Consultați secțiunea **Depozitarea**. Nu toți combustibilii sunt identici. Dacă apar probleme de pornire sau de performanță, schimbați furnizorii sau mărcile de combustibil. Acest motor este certificat să funcționeze cu benzină. Sistemul de control al emisiilor pentru motoarele cu carburator este EM (Modificări ale motorului). Sistemele de control al emisiilor pentru motoarele cu injecție electronică de combustibil sunt ECM (modul de control al motorului), MPI (injecție multiport de combustibil) și, dacă este prevăzut, un O2S (senzor de oxigen).

Altitudine ridicată

La altitudini de peste 5000 de picioare (1524 de metri), este permisă benzina cu cifra octanică 85/85 AKI (89 RON), ca o condiție minimă.

Pentru motoarele cu carburator, este necesară reglarea pentru altitudine ridicată pentru a menține performanța. Utilizarea fără această reglare va cauza o performanță mai slabă, creșterea consumului de combustibil și creșterea emisiilor. Contactați un dealer de service autorizat Briggs & Stratton pentru informații referitoare la reglarea pentru altitudine ridicată. Nu se recomandă utilizarea motorului la altitudini sub 2.500 de picioare (762 de metri) cu reglajele pentru altitudini mari.

În cazul motoarelor cu injecție electronică a combustibilului (EFI), nu este necesară reglarea pentru altitudine ridicată.

Adăugare carburant



AVERTISMENT

Combustibilul și vaporii săi sunt foarte inflamabili și explozivi. Incendiul sau explozia pot provoca arsuri sau decesul.

Când adăugați combustibil

- Opriți motorul. Așteptați două (2) minute pentru a vă asigura că motorul este rece, înainte să demontați bușonul rezervorului de combustibil.
 - Umpleți rezervorul de combustibil afară sau într-o zonă bine ventilată.
 - Nu puneți prea mult combustibil în rezervor. Pentru a permite expansiunea combustibilului, nu umpleți deasupra părții inferioare a gulerului rezervorului de combustibil.
 - Păstrați combustibilul la distanță față de scântei, flăcări deschise, flăcări de veghe, surse de căldură și alte surse de aprindere.
 - Verificați frecvent conductele de combustibil, bușonul rezervorului de combustibil și racordurile pentru a vedea dacă nu prezintă fisuri sau scurgeri. Înlocuiți componentele deteriorate.
 - În cazul în care se varsă combustibil, așteptați până la uscarea acestuia înainte să porniți motorul.
1. Curățați zona bușonului rezervorului de combustibil de praf și reziduuri. Scoateți bușonul rezervorului de combustibil.
 2. Umpleți rezervorul de combustibil (A, Figura 4) cu combustibil. Deoarece combustibilul se dilată, nu umpleți deasupra părții inferioare a gulerului rezervorului de combustibil (B).
 3. Instalați bușonul rezervorului de combustibil.

Pornirea motorului



AVERTISMENT

PERICOL DE GAZE OTRĂVITOARE. Gazele de eșapament conțin monoxid de carbon, un gaz otrăvitor care vă poate ucide în câteva minute. Chiar dacă nu simțiți miros de gaze de eșapament, este posibil să fiți expus la monoxid de carbon, care este periculos. Dacă aveți grețuri, vă simțiți amețit(ă) sau slăbit(ă) în timp ce utilizați acest produs, ieșiți IMEDIAT la aer curat. Apelați la un doctor. Este posibil să fiți intoxicați cu monoxid de carbon.

- Monoxidul de carbon se poate acumula în spații locuite. Pentru a reduce pericolul de acumulare a monoxidului de carbon, folosiți acest produs NUMAI în aer liber, la distanță de ferestre, uși și orificii de ventilație.
- Montați alarme de monoxid de carbon care funcționează cu baterii sau alarme de monoxid de carbon conectate la rețeaua electrică, dar au și baterii de rezervă, așa cum se specifică în instrucțiunile producătorului. Alarmerile de fum nu pot detecta monoxidul de carbon.
- NU folosiți acest produs în locuințe, garaje, pivnițe, spații înguste, șoproane sau alte spații închise, chiar dacă folosiți ventilatoare sau deschideți uși și ferestre pentru ventilație. După folosirea acestui produs, monoxidul de carbon se poate acumula rapid în aceste spații și poate rămâne acolo mai multe ore.
- Amplasați ÎNTOTDEAUNA acest produs pe direcția vântului și orientați toba de eșapament în sens opus față de spațiile locuite.



AVERTISMENT

Combustibilul și vaporii săi sunt foarte inflamabili și explozivi. Incendiul sau explozia pot provoca arsuri sau decesul.

Atunci când porniți motorul

- Asigurați-vă că bujia, toba de eșapament, bușonul rezervorului de combustibil și filtrul de aer (dacă este prevăzut) sunt montate corect.
- Nu porniți motorul cu manivela atunci când bujia incandescentă este demontată.
- Când se înecă motorul, puneți șocul (dacă este prevăzut) în poziția DESCHIS sau FUNCȚIONARE. Mutați șocul în poziția RAPID (dacă este prevăzută) și folosiți manivela până la pornirea motorului.
- Dacă în zonă există scurgeri de gaz natural sau gaz LP, nu porniți motorul.
- Nu utilizați fluide de aprindere sub presiune deoarece vaporii sunt inflamabili.



AVERTISMENT

Piese rotative pot prinde mâinile, picioarele, părul, îmbrăcămintea sau accesoriile, provocând amputări traumatice sau tăieturi grave.

- Utilizați echipamentul cu apărătoarele montate corect.
- Țineți mâinile și picioarele la distanță de piesele în mișcare.
- Scoateți bijuteriile și asigurați-vă că părul lung este la distanță de piesele rotative.
- Nu purtați îmbrăcăminte largă sau obiecte care ar putea fi prinse în echipament.

1. Verificați nivelul uleiului din motor. Consultați secțiunea **Verificarea nivelului de ulei**.
2. Asigurați-vă că sunt deconectate comenzile de acționare a echipamentului, dacă există.
3. Rotiți supapa de închidere a combustibilului (A, Figura 5), dacă există, în poziția DESCHIS.
4. Deplasați maneta de accelerație (B, Figura 5), dacă există, în poziția RAPID.
5. **Pentru modelele cu comandă șoc** (C, Figura 5), dacă este prevăzută, deplasați comanda șoc în poziția ÎNCHIS. **Pentru modelele care dispun de combinația comandă șoc/accelerație** (G, Figura 5), dacă este prevăzută, deplasați comanda în poziția ȘOC. **Pentru modelele cu ReadyStart[®]**, treceți la pasul următor.

NOTĂ: De obicei, nu este necesar să folosiți șocul la pornirea unui motor cald.

6. Pentru a porni motorul, rotiți cheia de pornire (D, Figura 5), dacă este prevăzută, în poziția PORNIT/START sau apăsați butonul (E).
7. Pe măsură ce motorul se încălzește, deplasați comanda șocului (C, Figura 5), dacă există, în poziția DESCHIS.

Oprirea motorului



AVERTISMENT

Combustibilul și vaporii săi sunt foarte inflamabili și explozivi. Incendiul sau explozia pot provoca arsuri sau decesul.

- Nu înecați carburatorul (dacă este prevăzut) pentru a opri motorul.

1. Cu maneta de accelerație în poziția LENT, rotiți comutatorul de pornire electrică (D, Figura 6) dacă este prevăzut, în poziția OPRIT.

2. Scoateți cheia și păstrați-o într-un loc sigur.
3. După oprirea motorului, deplasați robinetul de oprire a combustibilului (A, Figura 6), dacă există, în poziția ÎNCHIS.

Întreținere

Informații privind întreținerea



AVERTISMENT

Combustibilul și vaporii săi sunt foarte inflamabili și explozivi. Incendiul sau explozia pot provoca arsuri sau decesul.

În timpul întreținerii, dacă este necesară înclinarea unității, asigurați-vă că rezervorul de combustibil, dacă este montat pe motor, este gol, iar latura pe care se află bujia este orientată în sus. Dacă rezervorul de combustibil nu este gol, combustibilul se poate scurge, provocând un incendiu sau o explozie. Dacă motorul este înclinat în altă direcție, acesta nu va porni ușor din cauza contaminării cu ulei sau combustibil a filtrului de aer sau a bujiei.



AVERTISMENT

Scânteele accidentale de la motor pot provoca un șoc electric, incendiu sau explozie, ceea ce conduce la agățare, amputare traumatică sau leziuni grave.

Înainte de a efectua reglaje sau reparații:

- Deconectați toate firele bujiei și țineți-le la distanță de bujii.
- Deconectați cablul acumulatorului de la borna negativă a acestuia (numai la motoarele cu sistem de pornire electrică).
- Utilizați numai unelte adecvate.

Când verificați scântea:

- Utilizați un dispozitiv de testare aprobat pentru bujii incandescente.
- Nu verificați dacă există scântee atunci când bujia este demontată.



AVERTISMENT

Piese de schimb trebuie să fie identice și montate în aceeași poziție cu piesele originale. Alte piese pot provoca deteriorări sau vătămări.

NOTIFICARE

Pentru o funcționare corectă, toate componentele utilizate la fabricarea acestui motor trebuie să fie prezente.

Apelați la un dealer autorizat de service Briggs & Stratton pentru toate operațiile de întreținere și reparare a motorului și a pieselor motorului.

Întreținerea sistemului de control al emisiilor

Pentru întreținerea, înlocuirea sau repararea sistemelor și dispozitivelor de control al emisiilor, contactați o unitate sau persoană specializată în repararea motoarelor nerutiere. Totuși, lucrările de întreținere „gratuite” pentru controlul emisiilor trebuie efectuate de către un dealer autorizat de fabrică. Consultați declarațiile privind controlul emisiilor.

Programul de întreținere

Primele 5 ore
<ul style="list-style-type: none">• Schimbați uleiul de motor¹.
La fiecare 8 ore sau zilnic
<ul style="list-style-type: none">• Verificați nivelul uleiului de motor.• Curățați zona din jurul comenzilor și tobei de eșapament.• Curățați grila de intrare a aerului.
La fiecare 25 de ore sau anual
<ul style="list-style-type: none">• Curățați filtrul de aer².• Curățați prefiltrul².
La fiecare 50 de ore sau anual
<ul style="list-style-type: none">• Schimbați uleiul de motor³.• Înlocuiți filtrul de ulei (dacă există)³.• Întrețineți sistemul de evacuare.
La fiecare 100 de ore sau anual

- Schimbați uleiul de motor⁴.
- Înlocuiți filtrul de ulei (dacă există)⁴.

Anual

- Înlocuiți bujia.
- Înlocuiți filtrul de aer.
- Înlocuiți prefiltrul.
- Înlocuiți filtrul de combustibil.
- Reparați sistemul de răcire¹.
- Verificați jocul supapei⁵.

¹ Numai la motoarele fără filtru de ulei.

² Curățați mai frecvent în condițiile cu praf sau când există multe particule în aer.

³ Motoare fără filtru de ulei sau cu filtru de ulei standard negru. Consultați secțiunea *Specificații* pentru a găsi numărul piesei.

⁴ Motoare cu filtru de ulei de înaltă eficiență galben sau portocaliu. Consultați secțiunea *Specificații* pentru a găsi numărul piesei.

⁵ Doar în cazul în care apar probleme de funcționare a motorului.

Sistem electronic de gestionare a combustibilului

Sistemul electronic de gestionare a combustibilului monitorizează temperatura și turația motorului, precum și tensiunea acumulatorului, pentru a regla șocul în momentul pornirii și încălzirii motorului. Sistemul nu este prevăzut cu reglaje. Dacă apar probleme la pornire sau la funcționare, luați legătura cu un dealer autorizat de service Briggs & Stratton.

NOTIFICARE Asigurați-vă că respectați aceste reguli, în caz contrar sistemul electronic de gestionare a combustibilului se poate deteriora.

- NU porniți motorul în cazul în care cablurile acumulatorului sunt slăbite.
- Înainte să conectați cablurile auto pentru transfer de curent, să deconectați sau să reconectați cablurile acumulatorului, rotiți comutatorul de aprindere în poziția OPRIT. Când încărcați acumulatorul, rotiți comutatorul de aprindere în poziția OPRIT.
- Când deconectați cablurile acumulatorului de la acumulator, deconectați cablul negativ (-), apoi cablul pozitiv (+) de la acumulator. Când conectați cablurile acumulatorului la acumulator, conectați cablul pozitiv (+), apoi cablul negativ (-) la acumulator.
- NU folosiți un încărcător de acumulator pentru a porni motorul.
- NU deconectați cablurile acumulatorului în timpul funcționării motorului.
- NU pulverizați apă direct pe unitatea electronică de comandă.

Carburatorul și turația motorului

Nu efectuați ajustări la carburator, la clapetele reglatoare, la articulații sau la alte piese pentru a regla turația motorului. Dacă sunt necesare reglaje, apelați la un dealer autorizat de service Briggs & Stratton.

NOTIFICARE

Producătorul echipamentului specifică turația maximă a motorului instalat pe echipament. Nu depășiți această turație. Dacă aveți dubii cu privire la turația maximă a echipamentului dvs. sau la turația reglată din fabrică, contactați un Dealer autorizat de service Briggs & Stratton pentru asistență. Pentru o funcționare sigură și corectă a echipamentului, turația motorului trebuie reglată numai de către un tehnician de service calificat.

Operațiuni de service asupra sistemelor de eșapament și răcire



AVERTISMENT În timpul funcționării, motorul și toba se încălzesc. Dacă atingeți un motor fierbinte, se pot produce arsuri termice.

Materialele inflamabile, precum frunzele, iarba, arbuștii se pot aprinde.

- Înainte să atingeți motorul sau toba, opriți motorul și așteptați două (2) minute. Asigurați-vă că motorul și toba pot fi atinse fără a fi în pericol.
- Îndepărtați reziduurile din tobă și din motor.

Conform California Public Resource Code, secțiunea 4442, este interzisă utilizarea motorului în zone cu păduri, tufișuri sau iarbă fără ca sistemul de evacuare să fie dotat cu un paravan de scânteii, așa cum se definește în secțiunea 4442, aflat în bună stare de funcționare. Alte state sau jurisdicții federale ar putea avea o legislație similară; consultați Regulamentul Federal 36 CFR Partea 261.52. Contactați producătorul

echipamentului original, comerciantul cu amănuntul sau dealerul pentru a obține un paravan de scânteii proiectat pentru sistemul de evacuare montat pe acest motor.

Acest motor este răcit cu aer. Murdăria sau materialul nedorit pot obstrucționa fluxul de aer și pot cauza supraîncălzirea motorului. Aceasta cauzează o performanță nesatisfăcătoare și diminuează durata de viață a motorului. Aripioarele de răcire ale cilindrului pot colecta materiale nedorite care nu pot fi îndepărtate fără dezasambarea parțială a motorului. Asigurați-vă că un dealer autorizat de service Briggs & Stratton examinează și curăță sistemul de răcire cu aer. Consultați **Programul de întreținere**.

1. Asigurați-vă că nu există materiale combustibile în preajmă și în spatele eșapamentului.
2. Folosiți o perie sau o cârpă uscată pentru a îndepărta materialele nedorite de pe capacul carcasei suflantei, precum și din zona eșapamentului și a cilindrului. NU folosiți apă pentru a curăța motorul.
3. Asigurați-vă că lanțul cinematic, arcurile și comenzile sunt curate.
4. Verificați ca toba de eșapament să nu prezinte crăpături, coroziune sau alte deteriorări.
5. Îndepărtați dispozitivul parascânteii, dacă este instalat, și verificați să nu fie deteriorat sau să prezinte blocaje de carbon. Asigurați-vă că curățați sau instalați piesele de schimb înainte de a opera dispozitivul.
6. Asigurați-vă că paletele radiatorului de ulei sunt curate, dacă sunt instalate.

Lucrările de întreținere ale bujiei

Verificați distanța disruptivă a bujiei (A, Figura 7) cu un calbru de sârmă (B). Dacă este necesar, reglați distanța disruptivă a bujiei. Montați și strângeți bujia la cuplul corect. Pentru specificații privind distanța disruptivă a bujiei și cuplu, consultați secțiunea *Specificații*.

Schimbați uleiul de motor



AVERTISMENT Combustibilul și vaporii săi sunt foarte inflamabili și explozivi. Incendiul sau explozia pot provoca arsuri sau decesul.

În timpul funcționării, motorul și toba se încălzesc. Dacă atingeți un motor fierbinte, se pot produce arsuri termice.

- Dacă scurgeți uleiul prin tubul superior de alimentare cu ulei, rezervorul de combustibil trebuie să fie gol. Dacă nu este gol, combustibilul se poate scurge, provocând un incendiu sau o explozie.
- Înainte să atingeți motorul sau toba, opriți motorul și așteptați două (2) minute. Asigurați-vă că motorul și toba pot fi atinse fără a fi în pericol.

Uleiul uzat este un deșeu periculos și trebuie să fie eliminat în mod corect. Nu îl aruncați împreună cu deșeurile menajere. Interesați-vă la autoritățile locale, centrul de service sau la dealer care sunt posibilitățile de eliminare sau reciclare sigure.

Scurgerea uleiului

1. Cu motorul OPRIT dar cald, deconectați fișa (fișele) bujiei (bujii) (D, Figura 8) și păstrați-o la distanță de bujie (bujii) (E).
2. Scoateți joja (A, Figura 9).

Bușonul de scurgere a uleiului, dacă există

1. Demontați bușonul de scurgere a uleiului (F, Figura 10). Goliți uleiul într-un recipient aprobat.

NOTĂ: Bușoanele de scurgere a uleiului (G, Figura 10) pot fi montate pe motor.

2. După scurgerea uleiului, montați și strângeți bușonul de scurgere a uleiului (F, Figura 10).

Scurgerea rapidă a uleiului, dacă există

1. Deconectați furtunul de scurgere rapidă a uleiului (H, Figura 11) din partea laterală a motorului.
2. Rotiți și demontați capacul de scurgere a uleiului (I, Figura 11). Coborâți cu grijă furtunul de scurgere rapidă a uleiului (H) într-un recipient aprobat (J).
3. După scurgerea uleiului, montați bușonul sistemului de scurgere rapidă a uleiului (I, Figura 11). Prindeți furtunul de scurgere rapidă a uleiului (H) în partea laterală a motorului.

Adăugarea uleiului

- Asigurați-vă că motorul este orizontal.
- Curățați zona orificiului de alimentare cu ulei de toate reziduurile.
- Consultați secțiunea *Specificații* pentru detalii cu privire la capacitatea uleiului.

1. Scoateți joja (A, Figura 3). Îndepărtați uleiul de pe joja cu o cârpă curată.

- Adăugați lent ulei în orificiul de alimentare cu ulei (C, Figura 3). **NU adăugați prea mult ulei în orificiul de alimentare cu ulei.** Așteptați un minut și apoi verificați nivelul uleiului.

NOTĂ: Nu adăugați ulei prin sistemul de scurgere rapidă a uleiului, dacă este prevăzut.

- Montați și strângeți joja (A, Figura 3).
- Scoateți joja și verificați nivelul uleiului. Nivelul corect al uleiului este în partea superioară a indicatorului de plin (B, Figura 3) de pe jojă.
- Montați și strângeți joja (A, Figura 3).
- Conectați fișa (fișele) bujiei (bujiiilor) la bujie (bujii). Consultați secțiunea **Scurgerea uleiului**.

Schimbarea filtrului de ulei

- Scurgeți uleiul din motor. Consultați secțiunea **Scurgerea uleiului**.
- Scoateți filtrul de ulei (H, Figura 12) și eliminați-l corect.
- Înainte de a instala noul filtru de ulei, lubrifiați ușor garnitura filtrului de ulei cu ulei curat.
- Montați filtrul de ulei manual până când garnitura face contact cu adaptorul filtrului de ulei, apoi strângeți filtrul de ulei cu 1/2 până la 3/4 de tură.
- Adăugați ulei. Consultați secțiunea **Adăugarea uleiului**.
- Porniți și utilizați motorul. Când motorul este cald, verificați existența scurgerilor de ulei.
- Opriti motorul. Asigurați-vă că nivelul uleiului este în partea superioară a indicatorului de plin de pe jojă. Consultați secțiunea **Adăugarea uleiului**.

Lucrările de service ale filtrului de aer

AVERTISMENT



Combustibilii sunt inflamabili, iar vaporii lor sunt explozivi. Incendiul sau explozia pot provoca arsuri sau decesul.

- Nu porniți și nu utilizați motorul având demontat ansamblul filtrului de aer (dacă este prevăzut) sau filtrul de aer (dacă este prevăzut).

NOTIFICARE

Nu folosiți aer comprimat sau solvenți pentru a curăța filtrul. Aerul comprimat poate duce la deteriorarea filtrului, iar solvenții vor dizolva filtrul.

Pentru informații despre întreținere, consultați **Programul de întreținere**.

Diferitele modele sunt prevăzute cu filtru de burete sau de hârtie. Unele modele ar putea avea și un prefiltru opțional, care poate fi curățat și refolosit. Comparați ilustrațiile din acest manual cu tipul montat pe motorul dvs. și efectuați operațiunile de service după cum urmează.

Filtru de aer din hârtie (cu prefiltru)

- Desfaceți elementul (elementele) de fixare (A, Figura 13).
- Demontați capacul filtrului de aer (B, Figura 13).
- Demontați filtrul (C, Figura 13) și prefiltrul (D), dacă există.
- Pentru a desprinde materialul nedorit, loviți ușor filtrul de o suprafață dură. În cazul în care filtrul este murdar, înlocuiți-l cu un filtru nou.
- Curățați prefiltrul (D, Figura 13), dacă există, în detergent lichid și apă. Așteptați ca prefiltrul să se usuce complet. **NU** lubrifiați prefiltrul.
- Asamblați prefiltrul uscat (D, Figura 13), dacă există, și filtrul (C) în baza filtrului de aer (E).
- Montați capacul filtrului de aer (B, Figura 13) și fixați-l cu elementul (elementele) de fixare (A). Asigurați-vă că elementul (elementele) de fixare sunt bine strânse.

Ansamblu filtru de aer (Cartuș cu prefiltru)

- Desfaceți elementul (elementele) de fixare (A, Figurile 14, 15).
- Demontați capacul filtrului de aer (B, Figurile 14, 15).
- Pentru a demonta filtrul de aer (C, Figurile 14, 15), ridicați capătul filtrului.
- Pentru a desprinde materialul nedorit, loviți ușor filtrul de o suprafață dură. În cazul în care filtrul este murdar, înlocuiți-l cu un filtru nou.
- Demontați prefiltrul (D, Figurile 14, 15) de pe filtru (C).
- Curățați prefiltrul (D, Figurile 14, 15) în detergent lichid și apă. Așteptați ca prefiltrul să se usuce complet. **NU** lubrifiați prefiltrul.
- Montați prefiltrul uscat (D, Figurile 14, 15), dacă există, pe filtru.
- Montați filtrul (C, Figurile 14, 15) și prefiltrul (D), dacă există, în baza filtrului (E) și apăsați-l până când auziți un clic.
- Montați capacul filtrului de aer (B, Figurile 14, 15) și fixați-l cu elementul (elementele) de fixare (A). Asigurați-vă că elementul (elementele) de fixare sunt bine strânse.

Verificați sistemul de alimentare cu combustibil



AVERTISMENT

Combustibilul și vaporii săi sunt foarte inflamabili și explozivi. Incendiul sau explozia pot provoca arsuri sau decesul.

- Păstrați combustibilul la distanță față de scânteie, flăcări deschise, flăcări de veghe, surse de căldură și alte surse de aprindere.
- Verificați frecvent conductele de combustibil, bușonul rezervorului de combustibil și racordurile pentru a vedea dacă nu prezintă fisuri sau scurgeri. Înlocuiți componentele deteriorate.
- În cazul în care se varsă combustibil, așteptați până la uscarea acestuia înainte să porniți motorul.

Filtrul de combustibil, dacă există

- Înainte de a înlocui filtrul de combustibil (A, Figura 16), goliți rezervorul de combustibil sau închideți robinetul de oprire a combustibilului. Dacă rezervorul de combustibil nu este golit, combustibilul se poate scurge și poate provoca un incendiu sau o explozie.
- Strângeți lamelele (B, Figura 16) colierelor (C) cu clește. Scoateți colierele de pe filtrul de combustibil (A).
- Răsuciți și extrageți conductele de combustibil (D, Figura 16) de pe filtrul de combustibil.
- Inspectați dacă conductele de combustibil (D, Figura 16) prezintă crăpături sau scurgeri. Dacă este necesar, înlocuiți conductele de combustibil.
- Înlocuiți filtrul de combustibil (A, Figura 16).
- Prindeți conductele de combustibil (D, Figure 16) cleme (C).

Depozitarea

Sistemul de alimentare cu combustibil

Consultați Figura: 17.

AVERTISMENT



Combustibilul și vaporii săi sunt foarte inflamabili și explozivi. Incendiul sau explozia pot provoca arsuri sau decesul.

Depozitarea combustibilului

- Deoarece flăcările de veghe sau alte surse de aprindere pot provoca explozii, depozitați combustibilul sau echipamentul la distanță de cuptoare, sobe, boilere sau alte echipamente care au flăcără de veghe.

Depozitați motorul în poziție orizontală (poziția normală de lucru). Umpleți rezervorul de combustibil (A, Figura 17) cu combustibil. Pentru a permite dilatarea combustibilului, nu umpleți mai sus de gâtul rezervorului de combustibil (B).

Combustibilul își poate pierde valabilitatea atunci când este păstrat într-un recipient de depozitare mai mult de 30 de zile. Se recomandă folosirea unui aditiv pentru combustibil fără alcool și a unui tratament pe bază de etanol în recipientul de depozitare, pentru a preveni degradarea combustibilului și pentru a-l menține proaspăt.

Atunci când umpleți recipientul de combustibil cu combustibil, adăugați un aditiv pentru combustibil fără alcool, conform instrucțiunilor producătorului. Dacă benzina din motor nu a fost tratată cu aditiv pentru combustibil, ea trebuie scursă într-un recipient aprobat. Lăsați motorul să funcționeze până când rămâne fără combustibil.

Ulei de motor

Schimbați uleiul cât timp motorul este cald. Consultați secțiunea **Schimbarea uleiului de motor**.

Remediarea defecțiunilor

Asistență

Pentru asistență, contactați dealerul local sau accesați **BRIGGSandSTRATTON.COM** sau apelați **1-800-444-7774** (în SUA).

Specificații și piese de service

Specificații	Model: 400000	Model: 440000
Capacitate cilindrică	40.03 ci (656 cc)	44.18 ci (724 cc)
Alezaj	2.970 țoli (75,43 mm)	3.120 țoli (79,24 mm)
Cursă	2.890 țoli (73,41 mm)	2.890 in (73,41 mm)
Capacitate ulei	62 - 64 oz (1,8 - 1,9 L)	62 - 64 oz (1,8 - 1,9 L)
Distanță electrozi bujie	.030 țoli (.76 mm)	.030 in (.76 mm)
Cuplu bujie	180 livră-țol (180 Nm)	180 livră-țol (20 Nm)

Specificații	Model: 400000	Model: 440000
Distanță electrozi rotor	.008 - .012 in (.20 - .30 mm)	.008 - .012 in (.20 - .30 mm)
Joc supapă de admisie	.004 - .006 in (.10 - .15 mm)	.004 - .006 in (.10 - .15 mm)
Joc supapă de evacuare	.004 - .006 in (.10 - .15 mm)	.004 - .006 țol (.10 - .15 mm)

Specificații	Model: 490000
Capacitate cilindrică	49.42 ci (810 cc)
Alezaj	3.300 țol (83,81 mm)
Cursă	2.890 țoli (73,41 mm)
Capacitate ulei	66 - 68 oz (1,9 - 2,0 L)
Distanță electrozi bujie	.030 țoli (.76 mm)
Cuplu bujie	180 livră-țol (180 Nm)
Distanță electrozi rotor	.008 - .012 țol (.20 - .30 mm)
Joc supapă de admisie	.004 - .006 țoli (.10 - .15 mm)
Joc supapă de evacuare	.004 - .006 in (.10 - .15 mm)

Piese de schimb

Pentru a achiziționa piese de schimb Briggs & Stratton, găsiți un dealer autorizat de service la BRIGGSandSTRATTON.COM. Veți avea nevoie de numărul de identificare (model - tip - subtip). Consultați secțiunea **Caracteristici și comenzi** pentru a găsi numărul de identificare al motorului dvs.

Capacitate nominală

Puterea nominală brută aferentă modelelor individuale de motoare pe benzină este etichetată în conformitate cu SAE (Societatea inginerilor auto), cod J1940, Procedura de evaluare a puterii și cuplului motoarelor mici, și este clasificată în conformitate cu SAE J1995. Valorile cuplului sunt stabilite la 2.600 RPM pentru motoarele cu turația indicată pe etichetă și la 3.060 RPM pentru toate celelalte; valorile exprimate în cai putere sunt stabilite la 3.600 RPM. Curbele de variație a puterii brute pot fi vizualizate la adresa www.BRIGGSandSTRATTON.COM. Valorile puterii nete sunt determinate cu motorul având montate echipamentul și filtrul de aer, în timp ce valorile puterii brute sunt determinate fără aceste accesorii. Puterea brută efectivă a motorului va fi mai mare decât puterea netă a motorului și este afectată, printre altele, de condițiile de funcționare din mediul ambiant și de variabilitatea specifică motorului respectiv. Dat fiind faptul că motoarele sunt montate pe o varietate largă de produse, motorul pe benzină poate să nu dezovertă puterea brută nominală atunci când este utilizat pe un anumit echipament. Această diferență se datorează unei multitudini de factori incluzând, dar fără a se limita la, varietatea de componente ale motorului (filtru de aer, echipament, sarcină, răcire, carburator, pompă de combustibil etc.), limitele de aplicare, condițiile de funcționare din mediul ambiant (temperatură, umiditate, altitudine), precum și de variabilitatea specifică motorului respectiv. Datorită limitărilor de producție și de capacitate, este posibil ca Briggs & Stratton să înlocuiască acest motor cu unul de putere nominală mai mare.

Garanție

Garanția motorului Briggs & Stratton®

Valabilă din august 2022

Garanție limitată

Briggs & Stratton garantează că, în perioada de garanție specificată mai jos, va repara sau va înlocui în mod gratuit, cu o piesă nouă, recondiționată sau refăcută, soluția aleasă revine în responsabilitatea exclusivă a Briggs & Stratton, orice componente cu defecte de material, de manoperă sau ambele. Cheltuielile de transport pentru produsele trimise pentru a fi reparate sau înlocuite conform cu această garanție trebuie suportate de către cumpărător. Această garanție este valabilă pentru perioadele de timp și în condițiile menționate mai jos. Pentru a beneficia de service în baza garanției, găsiți cel mai apropiat dealer autorizat de service utilizând lista de dealeri la BRIGGSandSTRATTON.COM. Cumpărătorul trebuie să contacteze dealerul autorizat pentru service și trebuie să îi pună acestuia la dispoziție produsul pentru inspecție și testare.

Nu există alte garanții explicite. Garanțiile implicite, inclusiv cele de vandabilitate și potrivire pentru un scop anume, se limitează la un an de la cumpărare sau la perioada permisă de lege. Toate celelalte garanții implicite sunt excluse. Responsabilitatea pentru daunele accidentale sau rezultate pe cale de consecință este exclusă în măsura în care legea permite această excludere. Unele state sau țări nu permit limitarea duratei de valabilitate a unei garanții implicite, iar unele state sau țări nu permit excluderea sau limitarea daunelor accidentale sau rezultate pe cale de consecință, astfel încât este posibil ca limitările și excluderile mai sus menționate să nu se aplice în cazul dumneavoastră. Această garanție vă conferă anumite drepturi legale iar în plus puteți beneficia și de alte drepturi, care diferă de la o țară la alta și de la un stat la altul.

Termenii standard ai garanției ^{1, 2}

Vanguard®; Seria comercială

Uz personal - 36 de luni

Uz comercial - 36 de luni

Seria XR

Utilizare personală - 24 de luni

Utilizare comercială - 24 de luni

Toate celelalte motoare cu cilindri din fontă Dura-Bore™

Uz personal - 24 de luni

Uz comercial - 12 luni

Toate celelalte motoare

Uz personal - 24 de luni

Uz comercial - 3 luni

¹ Aceștia sunt termenii noștri standard de garanție, însă este posibil să publicăm ocazional termeni de garanție suplimentari, care nu existau la data publicării. Pentru a obține termenii de garanție actualizați ai motorului dvs., accesați BRIGGSandSTRATTON.COM sau contactați un dealer autorizat de service Briggs & Stratton.

² Nu se acordă garanție pentru motoarele folosite ca sursă principală de alimentare în locul rețelelor de utilități; pentru generatoarele de rezervă folosite în scop comercial, pentru vehiculele utilitare cu o viteză de peste 25 de mile pe oră, sau pentru motoarele folosite în competiții sau pe utilaje comerciale ori de închiriat.

* În Australia - Produsele noastre sunt livrate cu garanții care nu pot fi excluse în temeiul Legii australiene privind protecția consumatorului. Aveți dreptul la înlocuire sau rambursări în cazul unei defecțiuni majore și la compensări în cazul oricărui altor daune sau deteriorări previzibile în mod rezonabil. De asemenea, aveți dreptul la reparații sau înlocuiri ale produselor dacă acestea nu sunt de calitate acceptabilă și dacă defecțiunea nu este una majoră. Pentru a beneficia de service conform garanției, localizați cel mai apropiat dealer autorizat de service folosind harta lista de dealeri de pe BRIGGSandSTRATTON.COM, apelând 1300 274 447 sau contactându-ne prin e-mail ori în scris la salesenquires@briggsandstratton.com.au, Briggs & Stratton Australia Pty Ltd, 1 Moorebank Avenue, Moorebank, NSW, Australia, 2170.

Perioada de garanție începe de la data achiziționării produsului de către primul consumator particular sau utilizator industrial final, și continuă pentru perioada de timp specificată mai sus. „Utilizare personală” înseamnă utilizare rezidențială de către un consumator privat. „Utilizare comercială” înseamnă toate celelalte utilizări, inclusiv utilizarea în scopuri comerciale, aducătoare de venituri sau chirie. În cadrul acestei polițe de garanție, un motor, odată ce a fost utilizat comercial este considerat ca fiind de uz comercial și pentru viitor.

Nu este necesară nici o înregistrare a garanției pentru a obține garanția pentru produsele Briggs & Stratton. Păstrați documentul care dovedește achiziția. Dacă nu prezentați dovada datei achiziției inițiale în momentul în care solicitați service în baza garanției, pentru a determina eligibilitatea la garanție va fi folosită data de fabricație a produsului.

Despre garanție

Această garanție acoperă exclusiv defectele de material și/sau de manoperă ale motorului și nu implică înlocuirea sau rambursarea costului echipamentului pe care a fost montat motorul. Întreținerea de rutină, reglajele, ajustările sau uzura normală nu sunt acoperite de această garanție. În mod similar, garanția nu este valabilă dacă motorul a fost modificat sau dacă numărul de serie al motorului a fost deteriorat sau îndepărtat. Această garanție nu acoperă deteriorările motorului sau problemele de performanță cauzate de:

- folosirea altor piese decât Briggs & Stratton
- funcționarea motorului cu ulei insuficient, contaminat sau cu caracteristici inadecvate;
- Folosirea de combustibil contaminat sau vechi, benzină cu peste 10% etanol sau folosirea de combustibili alternativi precum gaz petrol lichiefiat (GPL) sau gaz natural pe motoare care nu au fost proiectate/produse de Briggs & Stratton pentru a funcționa cu astfel de combustibili;
- Murdăria intrată în motor din cauza întreținerii sau a reasamblării incorecte a filtrului de aer;
- lovirea unui obiect cu lama cuțitului unei mașini cu cuțite rotative de tuns gazonul, montarea incorectă sau fără strângere adecvată a adaptoarelor cuțitelor, rotoarelor sau altor dispozitive montate pe arborele cotit, sau strângerea excesivă a curelei trapezoidale;
- Piese sau ansamble asociate care nu sunt furnizate de Briggs & Stratton, precum ambreiaje, transmisii, comenzi ale echipamentului;
- supraîncălzirea din cauza ierbi tăiate, noroiului, reziduurilor sau cuiburilor de rozătoare care astupă sau înfundă lamelele de răcire sau zona volantei, sau folosirea motorului fără ventilare suficientă;

8. vibrarea excesivă din cauza supraturării, fixării incorecte a motorului, cuțitelor sau rotoarelor desfăcute sau dezechilibrate, sau cuplării incorecte a componentelor echipamentului pe arborele cotit;
9. folosirea greșită, lipsa întreținerii periodice, transport, manipulare sau depozitare, instalare incorectă a motorului.

Service-ul în baza garanției este disponibil doar prin intermediul dealerilor autorizați de service Briggs & Stratton. Localizați cel mai apropiat dealer autorizat de service pe harta noastră cu dealeri de pe BRIGGSandSTRATTON.COM sau apelând 1-800-444-7774 (în SUA).

80114782 (Revizia A)

Not for reproduction

Общая информация



Данное руководство содержит информацию по технике безопасности относительно опасностей и рисков, связанных с двигателем, и способов их предотвращения. В нем также содержатся сведения о правильной эксплуатации и техническом обслуживании данного двигателя. Важно, чтобы вы прочитали, поняли и соблюдали эти инструкции. **После прочтения данного руководства следует сохранить его, чтобы в дальнейшем пользоваться им как справочником.**

ПРИМЕЧАНИЕ: Рисунки и иллюстрации в настоящем руководстве служат только для информации и могут отличаться от вида конкретной модели. Используйте рисунки, соответствующие конфигурации вашего двигателя. Если это необходимо, обращайтесь к официальному сервисному дилеру.

Запишите дату покупки, модель двигателя, его тип, данные на панели и серийный номер двигателя ожидая заказа частей на замену. Эти номера указаны на вашем двигателе. См. раздел **Конструктивные узлы и элементы управления.**

Дата покупки	
Модель/тип/отладка двигателя	
Серийный номер двигателя	

Контактная информация представительства в Европе

По вопросам, касающимся нормы выбросов в Европе, обращайтесь в наш европейский офис по адресу:

Max-Born-Straße 2, 68519 Viernheim, Германия.

Экологический стандарт Stage V (5) Европейского союза (ЕС): Значения углекислого газа (CO₂)

Показатели содержания углекислого газа для двигателей Briggs & Stratton, сертифицированных для ЕС, можно найти на веб-сайте BriggsandStratton.com, введя CO₂ в окно поиска.

Безопасность эксплуатации Предупредительные знаки опасности и сигнальные слова



Символ предупреждения об опасности обозначает информацию об опасности получения травм. С этим предупредительным знаком используются слова (**ОПАСНО**, **ПРЕДУПРЕЖДЕНИЕ** или **ВНИМАНИЕ**), указывающие на вероятность и возможную степень серьезности травмы. Кроме того, для обозначения типа опасности может использоваться знак опасности.

Слово **«ОПАСНО»** указывает на опасную ситуацию, которая, если ее не избежать, **приведет** к смертельному исходу или получению серьезных травм.

Слово **ПРЕДУПРЕЖДЕНИЕ** указывает на опасную ситуацию, которая, если ее не избежать, **может привести** к смертельному исходу или получению серьезных травм.

ОСТОРОЖНО указывает на опасную ситуацию, которая, если ее не избежать, **может привести** к получению травмы малой или средней тяжести.

ПРИМЕЧАНИЕ указывает на важную, но не имеющую отношение к опасности информацию.

Обозначения опасности и пояснения к ним

Информация об опасности получения травм.	Перед эксплуатацией и обслуживанием данного изделия внимательно прочтите руководство оператора.
Опасность пожара	Опасность взрыва

Опасность поражения электрическим током	Опасность ядовитого дыма
Опасность горячей поверхности	Опасность обратного хода
Опасность ампутации конечностей: движущиеся детали	Уровень топлива — Максимум Не допускайте переполнения

Общие положения о безопасности



ОСТОРОЖНО

Двигатели Briggs & Stratton® не предназначены и не должны использоваться в качестве привода для развлекательных и спортивных катков, детских, развлекательных или спортивных вездеходных транспортных средств, мотоциклов, транспортных средств на воздушной подушке, летательных аппаратов или транспортных средств для соревнований без получения разрешения компании Briggs & Stratton. Для получения информации о продукции для спортивных состязаний посетите сайт www.briggsracing.com. Для получения информации об использовании мотовездеходов обратитесь в центр по применению силовых установок и двигателей Briggs & Stratton, 1-866-927-3349. Неправильное использование двигателя может привести к смертельному исходу или получению серьезных травм.

Информация об утилизации

		Все упаковочные материалы, контейнеры, отработанное масло и аккумуляторные батареи необходимо утилизировать согласно нормативным требованиям.
--	--	---

Конструктивные узлы и элементы управления

Органы управления двигателем

Сопоставьте буквы из сноски на рисунках 1 и 2 с органами управления двигателем в следующем списке:

- A. Идентификационное обозначение двигателя **Модель — Тип — Код**
- B. Свеча зажигания
- C. Воздухоочиститель
- D. Щуп уровня масла
- E. Пробка для слива масла
- F. Крышка корпуса вентилятора
- G. Масляный фильтр
- H. Электростартер
- I. Карбюратор
- J. Топливный фильтр (если установлен)
- K. Топливный насос (если установлен)
- L. Устройство быстрого слива масла (если установлено)
- M. Масляный радиатор (если установлен)
- N. Электронный блок управления (если установлен)

Знаки управления двигателем и пояснения к ним

Обороты двигателя — ВЫСОКИЕ	Обороты двигателя — НИЗКИЕ
Двигатель — ОСТАНОВ	ВКЛ — ВЫКЛ

 Запуск двигателя Воздушная заслонка ЗАКРЫТА	 Запуск двигателя Воздушная заслонка ОТКРЫТА
 Крышка топливного бака Кран подачи топлива ОТКРЫТ	 Кран подачи топлива ЗАКРЫТ

Эксплуатация



ОСТОРОЖНО
Топливо и его пары легко воспламеняются и взрывоопасны. Воспламенение или взрыв может привести к тяжелым ожогам или смертельному исходу.

Если вы почувствовали запах газа

- Не запускайте двигатель.
- Не включайте электрические выключатели.
- Не пользуйтесь телефоном поблизости.
- удалите людей с территории.
- Свяжитесь с пожарной службой.

При эксплуатации оборудования

- Не наклоняйте двигатель или оборудование на угол, при котором может произойти разлив топлива.

При перемещении оборудования в другое место

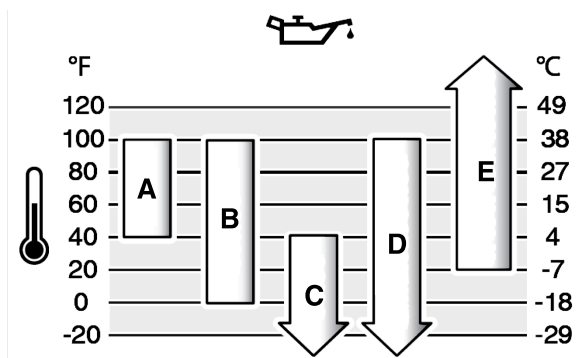
- Убедитесь, что топливный бак ПУСТ и кран подачи топлива, если он имеется, находится в положении ЗАКРЫТ.

Рекомендации по использованию масла

Емкость масляной системы: См. раздел *Технические характеристики*.

Мы рекомендуем использовать сертифицированные масла компании Briggs & Stratton® для наилучшей работы двигателя. Могут использоваться другие высококачественные детергентные масла, если они имеют категорию SF, SG, SH, SJ или выше. Не используйте специальные присадки.

Вспользуйтесь таблицей для выбора лучшей вязкости для предполагаемого диапазона температур окружающей среды. Для большинства двигателей силового оборудования, используемого на открытом воздухе, хорошо подходит синтетическое масло 5W-30. Наиболее эффективную защиту оборудования, эксплуатируемого при высоких температурах, обеспечивает синтетическое масло Vanguard® 15W-50.



A	SAE 30 - использование масла SAE 30 при температуре ниже 40 °F (4 °C) приведет к затрудненному запуску двигателя.
B	10W-30 - использование масла 10W-30 при температуре выше 80 °F (27 °C) может привести к повышенному расходу масла. Выполняйте регулярную проверку уровня масла.
C	5W-30
D	Синтетическое 5W-30
E	Синтетическое масло Vanguard® 15W-50

Проверьте уровень масла.

Перед проверкой уровня или доливом масла

- Убедитесь, что двигатель установлен горизонтально.
- Очистите область заливки масла от загрязнений.

- Информацию о емкости масляной системы см. в разделе *Технические характеристики*.

ПРИМЕЧАНИЕ

Данный двигатель поставляется компанией Briggs & Stratton без масла. Изготовители оборудования или дилеры могут залить масло в двигатель. Перед первым запуском двигателя убедитесь, что уровень масла находится на надлежащей отметке. Долейте масло в соответствии с инструкциями в данном руководстве. Гарантия не покрывает повреждения двигателя, вызванные его запуском без масла.

1. Извлеките масляный щуп (А, рисунок 3) и вытрите его тряпкой.
2. Установите и затяните масляный щуп (А, рисунок 3).
3. Извлеките масляный щуп и проверьте уровень масла. Убедитесь, что уровень масла находится на отметке в верхней части индикатора (В, рисунок 3) масляного щупа.
4. В случае низкого уровня масла медленно долейте масло в маслосливную горловину двигателя (С, рисунок 3). Не следует добавлять чрезмерное количество масла.
5. Подождите одну минуту, затем снова проверьте уровень масла. Убедитесь, что уровень масла находится на соответствующей отметке индикатора.
6. Установите и затяните масляный щуп (А, рисунок 3).

Система защиты от низкого уровня масла (если установлена)

Некоторые двигатели оснащены датчиком низкого уровня масла. В случае низкого уровня масла загорается лампа предупреждения или происходит остановка двигателя. Остановите двигатель и выполните следующие действия перед его повторным запуском.

- Убедитесь, что двигатель установлен горизонтально.
- Проверьте уровень масла. См. раздел *Проверка уровня масла*.
- В случае низкого уровня долейте соответствующее количество масла. Запустите двигатель и убедитесь, что лампа предупреждения (при наличии) не загорается.
- В случае нормального уровня масла не запускайте двигатель. Обратитесь к официальному сервисному дилеру компании Briggs & Stratton для устранения проблемы с маслом.

Рекомендации по топливу

Топливо должно отвечать следующим требованиям:

- Чистый, свежий, неэтилированный бензин.
- Октановое число не менее 87 ОЧ/87 (91 ОЧИ). См. информацию ниже касательно использования на большой высоте над уровнем моря.
- Разрешается использовать бензин с содержанием этилового спирта до 10 % (бензоспирт).

ПРИМЕЧАНИЕ

Не используйте неразрешенные марки бензина, например E15 и E85. Не добавляйте масло в бензин и не переводите двигатель на альтернативные виды топлива. Использование топлива неразрешенных марок может вызвать повреждения компонентов двигателя, на которые не будут распространяться гарантийные обязательства.

Чтобы избежать образования смолистых отложений в топливной системе и коррозии, добавляйте в топливо не содержащий спирта стабилизатор топлива и этанол. См. раздел *Хранение*. Не все виды топлива одинаковы. Если вы испытываете проблемы при запуске или работе двигателя, попробуйте использовать топливо от другого поставщика или другой марки. Этот двигатель сертифицирован для работы на бензине. Система контроля выхлопа отработанных газов для карбюраторных двигателей — EM (модификации двигателя). Системы контроля выбросов для двигателей с электронным впрыском топлива — ECM (модуль управления двигателем), MFI (многоточечный впрыск топлива), TBI (впрыск топлива в корпусе дроссельных заслонок) и O2S (датчик кислорода) (если установлен).

Большая высота над уровнем моря

При работе на высоте более 5000 футов (1524 метров) над уровнем моря допускается использование бензина с октановым числом не менее 85 ОЧ/85 (89 ОЧИ).

Карбюраторные двигатели необходимо регулировать в случае эксплуатации на большой высоте. Эксплуатация без такой регулировки приведет к ухудшению работы, повышенному потреблению топлива и повышению токсичности выхлопа. За информацией о регулировке двигателя для работы на большой высоте над уровнем моря обратитесь к официальному сервисному дилеру Briggs & Stratton. Не рекомендуется эксплуатация двигателя, отрегулированного для большой высоты, на высоте ниже 2 500 футов (762 метров).

Для двигателей с впрыском топлива с электронным управлением (ЭВТ) высотная регулировка не требуется.

Заправка топливом



ОСТОРОЖНО

Топливо и его пары легко воспламеняются и взрывоопасны. Воспламенение или взрыв может привести к тяжелым ожогам или смертельному исходу.

При доливе топлива

- Выключите двигатель. Перед снятием крышки топливозаправочной горловины, дайте двигателю остыть в течение, по меньшей мере, 2 (двух) минут.
 - Заполняйте топливный бак на открытом воздухе или в хорошо вентилируемой зоне.
 - Не заливайте в бак избыточное количество топлива. Чтобы учесть тепловое расширение топлива, не заполняйте топливный бак выше нижней части горловины.
 - Храните топливо вдали от источников искр, открытого огня, зажженных горелок и других источников возгорания.
 - Регулярно и часто проверяйте топливопроводы, топливный бак, крышку и патрубки на наличие трещин и протечек. Заменяйте поврежденные детали.
 - Если топливо пролилось, дождитесь пока оно испарится, прежде чем заводить двигатель.
1. Очистите область вокруг крышки топливного бака от грязи и мусора. Снимите крышку топливного бака.
 2. Залейте топливо в топливный бак (А, Рисунок 4). Учитывая тепловое расширение топлива, не заполняйте бак выше уровня нижней части горловины (В).
 3. Установите крышку топливного бака.

Запуск двигателя.



ОСТОРОЖНО

ОПАСНОСТЬ ОТРАВЛЕНИЯ ЯДОВИТЫМИ ГАЗАМИ. Выхлопные газы содержат окись углерода — ядовитый газ, который может убить за считанные минуты. Даже если запах выхлопных газов не чувствуется, опасность вдыхания угарного газа существует. Если во время эксплуатации данного изделия вы почувствовали тошноту или начали испытывать головокружение или слабость, выключите его и **НЕМЕДЛЕННО** выйдите на свежий воздух. Обратитесь к врачу. Возможно, вы отравились угарным газом.

- Угарный газ может накапливаться в закрытых пространствах. В целях сокращения риска накопления угарного газа, эксплуатируйте данное изделие ТОЛЬКО вне помещений и вдали от окон, дверей и вентиляционных отверстий.
- В соответствии с указаниями производителя в помещениях следует установить датчики оксида углерода (угарного газа), работающие от батарей или от сети с аварийным аккумуляторным источником питания. Аварийные датчики дыма не определяют наличие угарного газа.
- **ЗАПРЕЩАЕТСЯ** эксплуатировать данное изделие в домах, гаражах, подвалах, туннелях, сараях и других закрытых пространствах, даже при использовании вентиляторов или при открытых окнах и дверях для вентиляции. После начала эксплуатации данного изделия угарный газ может быстро накапливаться в таких пространствах и оставаться в них часами.
- **ВСЕГДА** размещайте данный продукт по ветру, чтобы выхлопные газы двигателя уносились в сторону от зон пребывания людей.



ОСТОРОЖНО

Топливо и его пары легко воспламеняются и взрывоопасны. Воспламенение или взрыв может привести к тяжелым ожогам или смертельному исходу.

При запуске двигателя

- Убедитесь, что свеча зажигания, глушитель, крышка топливного бака и воздушный фильтр (при наличии) установлены правильно.
- Не заводите двигатель рукоятку при отключенном проводе свечи зажигания.
- Если карбюратор двигателя был переобогащен топливной смесью, то установите рычаг управления воздушной заслонкой (если имеется) в положение ОТКРЫТ или РАБОТА. Установите рычаг управления дросселем (при наличии) в положение БЫСТРО и проворачивайте двигатель до тех пор, пока он не запустится.
- Если в зоне работ есть утечка природного или сжиженного углеводородного газа, не запускайте двигатель.
- Не используйте находящиеся под давлением пусковые жидкости, поскольку их пары легко воспламеняются.



ОСТОРОЖНО

Вращающиеся детали могут захватывать и затягивать руки, ноги, волосы, одежду и украшения, что может привести к травматической ампутации или тяжелым рваным ранам.

- Эксплуатируйте оборудование с правильно установленными защитными приспособлениями.
 - Держите руки и ноги вдали от вращающихся частей оборудования.
 - Снимайте украшения и собирайте длинные волосы в хвост, чтобы они находились вдали от движущихся/вращающихся деталей.
 - Не надевайте свободную одежду или предметы, которые могут быть захвачены движущимися деталями.
1. Проверьте моторное масло. См. раздел **Проверка уровня масла**.
 2. Убедитесь, что органы управления оборудованием, если они установлены, отключены.
 3. Поверните кран подачи топлива (А, Рисунок 5), если он установлен, в положение ОТКРЫТ
 4. Переместите рычаг управления дросселем (В, Рисунок 5), если он установлен, в положение БЫСТР.
 5. **В моделях с управлением заслонкой** (С, Рисунок 5), переместите регулятор управления заслонкой в ЗАКРЫТОЕ положение. **В моделях с комбинированным регулятором управления воздушной / дроссельной заслонкой** (G, Рисунок 5), переместите этот регулятор в положение закрытой воздушной заслонки (CHOKE). **В моделях с системой ReadyStart®**, перейдите к следующему шагу.

ПРИМЕЧАНИЕ: При повторном запуске еще теплого двигателя обычно нет необходимости в воздушной заслонке.

6. Чтобы запустить двигатель, поверните ключ зажигания (D, Рисунок 5), если он установлен, в положение ВКЛ. / ПУСК или нажмите на кнопку (E).
7. Когда двигатель разогреется, переместите регулятор управления воздушной заслонкой (С, Рисунок 5), если установлен, в положение ОТКРЫТ.

Остановка двигателя



ОСТОРОЖНО

Топливо и его пары легко воспламеняются и взрывоопасны. Воспламенение или взрыв может привести к тяжелым ожогам или смертельному исходу.

- Не перекрывайте заслонку карбюратора (при наличии), чтобы остановить двигатель.
1. При регуляторе дросселя, установленном в положение МЕДЛЕННО, поверните ключ электростарта (D, Рисунок 6, если установлен) в положение ВЫКЛ.
 2. Извлеките ключ и храните его в безопасном месте.
 3. После остановки двигателя поверните кран подачи топлива (А, Рисунок 6), если установлен, в положение ЗАКРЫТ.

Техническое обслуживание

Информация по техническому обслуживанию



ОСТОРОЖНО

Топливо и его пары легко воспламеняются и взрывоопасны. Воспламенение или взрыв может привести к тяжелым ожогам или смертельному исходу.

Если при выполнении техобслуживания двигатель нужно наклонить, убедитесь, что топливный бак, если он установлен на двигателе, опорожнен, а сторона двигателя со свечей зажигания обращена вверх. Если топливный бак не опорожнен, топливо может протечь и вызвать воспламенение или взрыв. В случае наклона двигателя в другом направлении, в дальнейшем могут возникнуть проблемы с его запуском из-за загрязнения воздушного фильтра и/или свечи зажигания маслом или топливом.



ОСТОРОЖНО

Случайная искра в двигателе может привести к удару электрическим током, возгоранию или взрыву, а также к случайному запуску двигателя, что может стать причиной затягивания конечностей, травматической ампутации или рваной раны.

Перед проведением регулировки или ремонта:

- Отсоедините все провода свечей зажигания и удалите их от свечей.
- Отключите провод аккумуляторной батареи на отрицательной клемме (только на двигателях с электрическим запуском).
- Используйте только подходящие инструменты.

При проверке наличия искры:

- Используйте утвержденный прибор для тестирования свечи зажигания.
- Не проверяйте наличие искры с вынутой свечой зажигания.



ОСТОРОЖНО

Запасные части должны иметь такую же конструкцию и устанавливаться в том же положении, что и оригинальные детали. Использование других запасных частей может привести к повреждению оборудования или травмам.

ПРИМЕЧАНИЕ

Для надлежащей работы данного двигателя все компоненты, используемые в его конструкции, должны оставаться на своих местах.

Обращайтесь к официальному сервисному дилеру компании Briggs & Stratton для выполнения всех работ по техническому обслуживанию двигателя и его компонентов.

Обслуживание элементов контроля выбросов

По вопросам технического обслуживания, замены или ремонта устройств или систем для снижения токсичности выхлопа обратитесь в сертифицированную мастерскую по ремонту внедорожных двигателей или к профессиональному специалисту по обслуживанию. Однако для получения «бесплатного» обслуживания систем контроля выхлопа такие работы должны проводиться в сервисном центре официального дилера. См. «Заявления по контролю выхлопа».

График технического обслуживания

Первые 5 часов
<ul style="list-style-type: none"> • Замена моторного масла¹.
Интервалы составляют 8 часов или ежедневно
<ul style="list-style-type: none"> • Проверьте уровень масла в двигателе. • Очистка зоны вокруг глушителя и ручек управления. • Очистка решетки воздухозаборного отверстия.
Каждые 25 часов или раз в год
<ul style="list-style-type: none"> • Чистка воздушного фильтра². • Чистка фильтра предварительной очистки².
Каждые 50 часов или раз в год
<ul style="list-style-type: none"> • Замена моторного масла³. • Замена масляного фильтра (если установлен)³. • Обслуживание выхлопной системы.
Интервалы составляют 100 часов или раз в год
<ul style="list-style-type: none"> • Замена моторного масла⁴. • Замена масляного фильтра (если установлен)⁴.
Раз в год
<ul style="list-style-type: none"> • Замена свечи зажигания. • Замените воздушный фильтр. • Замените фильтр предварительной очистки. • Замените топливный фильтр. • Обслуживание системы охлаждения¹. • Проверка зазора клапана⁵.

¹ Только двигатели без масляного фильтра.

² Проводите более частую очистку в условиях повышенной запыленности или при наличии большого количества частиц в воздухе.

³ Двигатели без масляного фильтра или со стандартным черным масляным фильтром. См. номер детали в разделе *Технические характеристики*.

⁴ Двигатели с высокоэффективным масляным фильтром желтого или оранжевого цвета. См. номер детали в разделе *Технические характеристики*.

⁵ Не требуется при отсутствии проблем в работе двигателя.

Электронная система управления подачей топлива

Электронная система управления подачей топлива контролирует температуру двигателя, скорость двигателя и напряжение аккумулятора для управления воздушной заслонкой во время пуска и прогрева двигателя. В этой системе отсутствуют какие-либо регулировки. При возникновении проблем при запуске и работе двигателя, обращайтесь к официальному сервисному дилеру компании Briggs & Stratton.

ПРИМЕЧАНИЕ Строго выполняйте перечисленные действия, в противном случае электронная система управления подачей топлива может быть повреждена.

- Никогда НЕ запускайте двигатель, если клеммы проводов аккумулятора не затянуты.
- Перед подключением кабелей для запуска двигателя от внешнего источника, а также перед отсоединением или подсоединением аккумулятора поверните ключ зажигания в положение ВЫКЛ. Во время зарядки аккумулятора ключ зажигания должен находиться в положении ВЫКЛ.
- При отсоединении аккумуляторных кабелей от аккумулятора вначале отсоединяйте отрицательный (-), а затем положительный (+) кабель. При подсоединении аккумуляторных кабелей к аккумулятору вначале подсоединяйте положительный (+), а затем отрицательный (-) кабель.
- Никогда НЕ используйте зарядное устройство аккумуляторов для запуска двигателя.
- НЕ отсоединяйте кабели аккумулятора во время работы двигателя.
- НЕ допускайте попадания воды непосредственно на электронный блок управления.

Карбюратор и число оборотов двигателя

Не изменяйте настройки карбюратора, пружины регулятора, тяг и иных деталей, чтобы изменить число оборотов двигателя. В случае необходимости какой-либо регулировки обратитесь к официальному сервисному дилеру компании Briggs & Stratton.

ПРИМЕЧАНИЕ

Производитель оборудования устанавливает максимальное число оборотов двигателя, который установлен на оборудовании. Запрещается превышать эту скорость. Если вы не знаете, каково максимальное число оборотов для данного оборудования или какое число оборотов двигателя было установлено на заводе-изготовителе, обратитесь за поддержкой к официальному сервисному дилеру компании Briggs & Stratton. Для безопасной и надлежащей работы данного оборудования регулировка числа оборотов двигателя должна выполняться только квалифицированным техником по обслуживанию.

Обслуживание выпускной и охлаждающей систем



ОСТОРОЖНО

Двигатель и глушитель становятся очень горячими во время эксплуатации. Не прикасайтесь к горячему двигателю во избежание получения ожогов.

Воспламеняемый мусор, например, листья, трава, сухая поросль и т. д. могут служить источником пожара.

- Прежде чем прикасаться к двигателю или глушителю, заглушите двигатель и подождите 2 (две) минуты. Убедитесь, что к двигателю и глушителю можно безопасно прикасаться.
- Удалите мусор с глушителя и двигателя.

Использование или эксплуатация двигателя на территории, открытой лесом, кустарниками или травой, без оснащения системы выхлопных газов искрогасителем и поддержки его в рабочем состоянии, является нарушением раздела 4442 кодекса Public Resource Code штата Калифорния. Другие штаты или федеральные юрисдикции могут иметь аналогичные законы, см. Федеральный регламент 36 CFR Часть 261.52. Для приобретения искрогасителя, рассчитанного на выхлопную систему, которая установлена на двигателе, обратитесь к производителю оригинального оборудования, розничному продавцу или дилеру.

Охлаждение данного двигателя осуществляется воздухом. Грязь или посторонний материал могут препятствовать потоку воздуха и вызвать перегрев двигателя. Это приводит к неудовлетворительной работе и сокращает срок службы двигателя.

На ребрах охлаждения цилиндров может скапливаться посторонний материал, который невозможно удалить без частичной разборки двигателя. Убедитесь, что официальный сервисный дилер Briggs & Stratton осмотрел и очистил систему воздушного охлаждения. См. раздел **График технического обслуживания**.

1. Убедитесь в отсутствии горючих материалов вокруг и позади глушителя.
2. С помощью щетки или сухой ветоши удалите весь ненужный материал с крышки корпуса нагнетателя, глушителя и зоны цилиндра. НЕ используйте воду для очистки двигателя.
3. Убедитесь, что соединения, пружины и элементы управления чистые.
4. Осмотрите глушитель на предмет наличия трещин, коррозии или других повреждений.
5. Снимите искроуловитель, если установлен, и осмотрите на наличие повреждений или скопившегося нагара. Убедитесь, что сменные детали очищены или установлены до начала эксплуатации оборудования.
6. Убедитесь, что ребра масляного радиатора поддерживаются в чистоте (если он установлен).

Обслуживание свечи зажигания

Проверьте зазор свечи зажигания (А, рисунок 7) с помощью проволочного калибра (В). При необходимости, отрегулируйте зазор свечи зажигания. Установите и затяните свечу зажигания до правильного момента затяжки. Значения зазора и момента затяжки указаны в разделе **Технические характеристики**.

Замените моторное масло



ОСТОРОЖНО

Топливо и его пары легко воспламеняются и взрывоопасны. Воспламенение или взрыв может привести к тяжелым ожогам или смертельному исходу.

Двигатель и глушитель становятся очень горячими во время эксплуатации. Не прикасайтесь к горячему двигателю во избежание получения ожогов.

- Если вы сливаете масло через верхний маслозаливной патрубком, топливный бак должен быть пустым. Если топливный бак не опорожнен, топливо может протечь и вызвать воспламенение или взрыв.
- Прежде чем прикасаться к двигателю или глушителю, заглушите двигатель и подождите 2 (две) минуты. Убедитесь, что к двигателю и глушителю можно безопасно прикасаться.

Использованное масло относится к опасным видам отходов и должно быть утилизировано должным образом. Его не следует утилизировать как обычные бытовые отходы. По вопросам безопасной утилизации и повторной переработки обращайтесь в местные органы, сервисный центр или к дилеру.

Слив масла

1. Когда двигатель ВМКЛ, но еще не остыл, отсоедините провод(а) свечи(-ей) зажигания (D, Рисунок 8) и отведите его (их) от свечи(-ей) (E).
2. Извлеките масляный щуп (А, рисунок 9).

Маслосливная пробка (если установлена)

1. Выкрутите маслосливную пробку (F, рисунок 10). Слейте масло в подходящую для этого емкость.

ПРИМЕЧАНИЕ: В двигателе могут быть установлены маслосливные пробки (G, Рисунок 10).

2. После слива масла, установите и затяните маслосливную пробку (F, Рисунок 10).

Устройство быстрого слива масла (если установлено)

1. Отсоедините шланг для быстрого слива масла (H, Рисунок 11) от боковой стороны двигателя.
2. Поверните и снимите крышку маслосливного отверстия (I, Рисунок 11). Осторожно опустите устройство быстрого слива масла (H) в разрешенный контейнер (J).
3. После слива масла, установите и затяните крышку маслосливного отверстия (I, Рисунок 11). Подсоедините шланг для быстрого слива масла (H) к боковой стороне двигателя.

Долив масла

- Убедитесь, что двигатель установлен горизонтально.
- Очистите область заливки масла от загрязнений.
- Информацию о емкости масляной системы см. в разделе **Технические характеристики**.

1. Извлеките масляный щуп (А, рисунок 3). При помощи чистой ткани удалите масло с масляного щупа.

2. Медленно залейте масло в маслозаливное отверстие двигателя (С, рисунок 3). **Не заливайте слишком много масла в маслозаливную горловину двигателя.** После добавления масла подождите одну минуту, а затем снова проверьте уровень масла.

ПРИМЕЧАНИЕ: Запрещается доливать масло через устройство быстрого слива масла, если имеется.

3. Установите и затяните масляный щуп (А, рисунок 3).
4. Извлеките масляный щуп и проверьте уровень масла. Правильный уровень масла обозначен в верхней части индикатора (В, рисунок 3) масляного щупа.
5. Установите и затяните масляный щуп (А, рисунок 3).
6. Подсоедините провод(а) свечи(-ей) зажигания к свече(-ам) зажигания. См. раздел **Слив масла**.

Замена масляного фильтра

1. Слейте масло из двигателя. См. раздел **Слив масла**.
2. Снимите масляный фильтр (H, рисунок 12) и утилизируйте его должным образом.
3. Перед установкой нового масляного фильтра слегка смажьте уплотнительную прокладку фильтра чистым маслом.
4. Установите масляный фильтр вручную таким образом, чтобы уплотняющая прокладка соприкасалась с адаптером масляного фильтра, а затем поверните фильтр на 1/2 – 3/4 оборота.
5. Добавьте масло. См. раздел **Долив масла**.
6. Запустите двигатель и дайте ему поработать. Когда двигатель прогреется, проверьте наличие протечек масла.
7. Выключите двигатель. Убедитесь, что уровень масла находится на отметке в верхней части индикатора масляного щупа. См. раздел **Долив масла**.

Техническое обслуживание воздушного фильтра



ОСТОРОЖНО

Топливо и его пары легко воспламеняются и взрывоопасны. Воспламенение или взрыв может привести к тяжелым ожогам или смертельному исходу.

- Никогда не запускайте и не эксплуатируйте двигатель со снятой системой очистки воздуха или воздушным фильтром (при их наличии).

ПРИМЕЧАНИЕ

Не используйте сжатый воздух или растворители для чистки фильтра. Сжатый воздух может повредить фильтр, а растворители — привести к его разложению.

Требования к обслуживанию представлены в разделе **График технического обслуживания**.

В различных моделях используется либо поролоновый, либо бумажный фильтр. Некоторые модели также оборудованы фильтром предварительной очистки, который можно использовать повторно после очистки. Сравните иллюстрации в настоящем руководстве со своим двигателем и выполните обслуживание как изложено ниже.

Бумажный воздушный фильтр (с фильтром предварительной очистки)

1. Ослабьте крепления (А, Рисунок 13).
2. Снимите крышку воздушного фильтра (В, Рисунок 13).
3. Извлеките фильтр (С, Рисунок 13) и фильтр предварительной очистки (D), если он установлен.
4. Чтобы удалить посторонние материалы, слегка постучите фильтром по твердой поверхности. Если фильтр загрязнен, замените его новым фильтром.
5. Очистите фильтр предварительной очистки (D, Рисунок 13), если он установлен, в воде с жидким моющим средством. Дайте фильтру предварительной очистки полностью просохнуть на воздухе. **НЕ** смазывайте фильтр предварительной очистки.
6. Вставьте сухой фильтр предварительной очистки (D, Рисунок 13), если он установлен, и фильтр (С) в основание воздушного фильтра (E).
7. Установите крышку воздушного фильтра (В, Рисунок 13) и зафиксируйте крепежными элементами (А). Убедитесь, что крепления затянуты.

Воздушный фильтр в сборе (картридж с фильтром предварительной очистки)

1. Ослабьте затяжку креплений (А, Рисунок 14, 15).
2. Снимите крышку воздушного фильтра (В, Рисунок 14, 15).
3. Для извлечения воздушного фильтра (С, Рисунок 14, 15) приподнимите конец фильтра.
4. Чтобы удалить посторонние материалы, слегка постучите фильтром по твердой поверхности. Если фильтр загрязнен, замените его новым фильтром.

- Извлеките фильтр предварительной очистки (D, Рисунок 14, 15) из фильтра (C).
- Очистите фильтр предварительной очистки (D, Рисунок 14, 15) в воде с жидким моющим средством. Дайте фильтру предварительной очистки полностью просохнуть на воздухе. **НЕ** смазывайте фильтр предварительной очистки.
- Вставьте сухой фильтр предварительной очистки (D, Рисунок 14, 15), если он имеется, в фильтр.
- Вставьте фильтр (C, Рисунок 14, 15) и фильтр предварительной очистки (D), если установлен, в основание фильтра (E) и надавливайте до щелчка.
- Установите крышку воздушного фильтра (B, Рисунок 14, 15) и закрепите крепежными элементами (A). Убедитесь, что крепления затянуты.

Обслуживание топливной системы



ОСТОРОЖНО

Топливо и его пары легко воспламеняются и взрывоопасны. Воспламенение или взрыв может привести к тяжелым ожогам или смертельному исходу.

- Храните топливо вдали от источников искр, открытого огня, зажженных горелок и других источников возгорания.
- Регулярно и часто проверяйте топливопроводы, топливный бак, крышку и патрубки на наличие трещин и протечек. Заменяйте поврежденные детали.
- Если топливо пролилось, дождитесь пока оно испарится, прежде чем заводить двигатель.

Топливный фильтр (если установлен)

- Перед заменой топливного фильтра (A, Рисунок 16), слейте топливо из топливного бачка или закройте кран подачи топлива. Если топливо не слито из топливного бака, оно может пролиться, что может привести к пожару или взрыву.
- Сожмите выступы (B, Рисунок 16) на зажимах (C) плоскогубцами. Сдвиньте зажимы в сторону от топливного фильтра (A).
- Скрутите и стяните топливопроводы (D, Рисунок 16) с топливного фильтра.
- Проверьте топливопроводы (D, Рисунок 16) на предмет трещин или утечек. При необходимости замените топливопроводы.
- Замените топливный фильтр (A, Рисунок 16).
- Прикрепите топливопроводы (D, Рисунок 16) с зажимами (C).

Хранение

Топливная система

См. рисунок 17.



ОСТОРОЖНО

Топливо и его пары легко воспламеняются и взрывоопасны. Воспламенение или взрыв может привести к тяжелым ожогам или смертельному исходу.

Хранение топлива

- Храните топливо и оборудование вдали от котлов, печей, водонагревателей и прочих приборов, в которых используются горелки, запальники или иные источники воспламенения, поскольку это может привести к воспламенению паров топлива.

Храните двигатель в ровном горизонтальном положении (в нормальном рабочем положении). Залейте топливо в топливный бак (A, Рисунок 17). С учетом теплового расширения топлива не заполняйте топливный бак выше нижней части горловины (B).

Топливо может утратить свежесть при нахождении в контейнере для хранения более 30 дней. Рекомендуется добавление в контейнер не содержащего спирт стабилизатора топлива и этанола для предотвращения разложения топлива и сохранения его свежести.

При заливке в топливный контейнер добавляйте не содержащий спирт стабилизатор топлива согласно инструкциям изготовителя. Если в топливо в двигателе не добавлялся стабилизатор топлива, его необходимо слить в надлежащий контейнер. Дайте двигателю поработать, пока не закончится топливо.

Моторное масло

Смените моторное масло, пока двигатель еще теплый. См. раздел *Проверка уровня и долива масла*.

Устранение неисправностей

Поддержка

Для получения технической поддержки обратитесь к местному дилеру, перейдя по ссылке: BRIGGSandSTRATTON.COM или позвонив по номеру: **1-800-444-7774** (в США).

Технические характеристики и запасные части

Технические характеристики	Модель: 400000	Модель: 440000
Рабочий объем двигателя	40.03 куб. дюйм (656 куб. см)	44.18 куб. дюйм (724 куб. см)
Гильза цилиндра	2.970 дюйм. (75,43 мм)	3.120 дюйм. (79,24 мм)
Ход поршня	2.890 дюйм. (73,41 мм)	2.890 дюйм (73,41 мм)
Количество масла	62 - 64 унций (1,8 - 1,9 л)	62 - 64 унций (1,8 - 1,9 л)
Зазор свечи зажигания	.030 дюйм. (.76 мм)	.030 дюйм (.76 мм)
Момент затяжки свечей зажигания	180 фунт-дюйм (180 Нм)	180 фунт-дюйм (20 Нм)
Воздушный зазор катушки	.008 - .012 дюйм (.20 - .30 мм)	.008 - .012 дюйм (.20 - .30 мм)
Зазор впускного клапана	.004 - .006 дюйм (.10 - .15 мм)	.004 - .006 дюйм (.10 - .15 мм)
Зазор выпускного клапана	.004 - .006 дюйм (.10 - .15 мм)	.004 - .006 дюйм. (.10 - .15 мм)

Технические характеристики	Модель: 490000
Рабочий объем двигателя	49.42 куб. дюйм (810 куб. см)
Гильза цилиндра	3.300 дюйм. (83,81 мм)
Ход поршня	2.890 дюйм. (73,41 мм)
Количество масла	66 - 68 унций (1,9 - 2,0 л)
Зазор свечи зажигания	.030 дюйм. (.76 мм)
Момент затяжки свечей зажигания	180 фунт-дюйм (180 Нм)
Воздушный зазор катушки	.008 - .012 дюйм. (.20 - .30 мм)
Зазор впускного клапана	.004 - .006 дюйм. (.10 - .15 мм)
Зазор выпускного клапана	.004 - .006 дюйм (.10 - .15 мм)

Запасные части

Для покупки запчастей для обслуживания Briggs & Stratton найдите официального сервисного дилера по адресу BRIGGSandSTRATTON.COM. Вам понадобится идентификационный номер (модель - тип - отделка). Чтобы найти идентификационный номер двигателя, обратитесь к разделу *Конструктивные узлы и элементы управления*.

Номинальная мощность

Полная мощность отдельных моделей бензиновых двигателей указывается согласно стандарту SAE (Society of Automotive Engineers) J1940 (Small Engine Power & Torque Rating Procedure) и оценивается в соответствии со стандартом SAE J1995. Для двигателей с указанными на них оборотами указано значение крутящего момента при 2600 об/мин, для всех остальных двигателей – при 3060 об/мин; значение мощности в лошадиных силах измерялось при 3600 об/мин. Графики полной мощности можно посмотреть на веб-сайте www.BRIGGSandSTRATTON.COM. Значения мощности нетто указаны при установленных глушителе и воздушном фильтре, в то время как значения максимальной мощности указаны без этих принадлежностей. Фактическая валовая мощность двигателя будет ниже; она зависит, помимо прочего, от условий эксплуатации и конкретного экземпляра двигателя. Учитывая широкий диапазон продукции, которая оснащается двигателями, бензиновый двигатель может не развивать полную мощность по стандарту при эксплуатации на отдельном силовом оборудовании. Эта разница вызвана множеством факторов, включая, среди прочего, используемые принадлежности (очиститель воздуха, выхлопная система, зарядка, охлаждение, карбюратор, топливный насос и т. д.), ограничения в применении, условия эксплуатации (температура, влажность, высота) и разницу между отдельными экземплярами двигателей. В связи с производственными и техническими ограничениями Компания Briggs & Stratton может заменять данный двигатель двигателем с более высокой номинальной мощностью.

Гарантия

Гарантия на двигатель компании Briggs &

Stratton®

Вступает в силу с августа 2022 года

Ограничение объема гарантийных обязательств

Компания Briggs & Stratton обязуется в течение гарантийного периода, определенного ниже, по своему усмотрению производить бесплатный ремонт или замену любых деталей, имеющих дефекты материала и/или производственные дефекты, новыми, восстановленными или отремонтированными деталями. Транспортные расходы, связанные с доставкой изделий, отправляемых для ремонта или замены по настоящей гарантии, должен нести покупатель. Гарантия действительна для сроков и условий, указанных ниже. Для гарантийного обслуживания найдите ближайшего официального сервисного дилера с помощью дилер-локатора на BRIGGSandSTRATTON.COM. Покупателю необходимо связаться с уполномоченным сервисным дилером компании Briggs & Stratton и предоставить оборудование для осмотра и проверки.

Прочих прямых гарантий не существует. Подразумеваемые гарантии, включая гарантии товарного качества и соответствия назначению, ограничены сроком в один год со дня покупки, или в той степени, в которой это разрешено законом. Все прочие подразумеваемые гарантии исключаются. Ответственность за случайный или косвенный ущерб исключается в той степени, в которой это предусмотрено законодательством. В некоторых штатах или странах запрещено ограничивать период действия подразумеваемой гарантии, а в некоторых штатах или странах запрещено исключать или ограничивать ответственность за случайный или косвенный ущерб. Таким образом, приведенные выше исключения и ограничения, возможно, не будут распространяться на вас. Настоящая гарантия предоставляет вам определенные юридические права, также у вас могут быть другие права, которые могут отличаться в различных штатах и странах.

Стандартные гарантийные условия ^{1, 2}
Vanguard®; коммерческая серия
Личное использование - 36 месяцев
Коммерческое использование - 36 месяцев
XR Series
Личное использование - 24 месяца
Коммерческое использование - 24 месяца
Все двигатели, оснащенные чугунной гильзой Dura-Bore™
Личное использование - 24 месяца
Коммерческое использование - 12 месяцев
Все другие двигатели
Личное использование - 24 месяца
Коммерческое использование - 3 месяца

¹ Это наши стандартные условия гарантии, однако иногда может быть доступно дополнительное гарантийное покрытие, которое не было определено на момент публикации. Для получения информации по текущим условиям гарантии для вашего двигателя посетите веб-сайт BRIGGSandSTRATTON.com или обратитесь к своему официальному сервисному дилеру компании Briggs & Stratton.

² Гарантия не распространяется на двигатели на оборудовании, используемом в качестве первичного источника энергии в месте эксплуатации; резервные генераторы, используемые для коммерческих целей, для технологического транспорта, передвигающегося со скоростью более 40 км/ч; двигатели, которые используются в соревновательных целях или на коммерческих или арендуемых треках.

^{*} В Австралии — Наша продукция обеспечивается гарантиями, которые не могут быть исключены согласно закону Австралии о защите прав потребителей. Вы имеете право на замену изделия или на возврат уплаченной за него суммы в случае серьезной неисправности, а также на компенсацию за прочие обоснованно прогнозируемые потери и убытки. Кроме того, вы имеете право на ремонт изделий или их замену, если их качество является неприемлемым, а неисправность незначительной. Для получения гарантийного обслуживания найдите ближайшего официального сервисного дилера с помощью дилер-локатора на веб-сайте: BRIGGSandSTRATTON.COM, позвоните по телефону: 1300 274 447, свяжитесь с нами по электронной почте: salesenquires@briggsandstratton.com.au или отправьте письмо по адресу: Briggs & Stratton Australia Pty Ltd, 1 Moorebank Avenue, Moorebank, NSW, Australia, 2170.

Гарантийный период начинается с даты покупки оборудования первым розничным покупателем или коммерческим пользователем и заканчивается по истечении периода времени, указанного в приведенной выше таблице. «Личное использование» означает индивидуальное использование устройства на личном участке розничным потребителем. «Коммерческое использование» означает все иные варианты использования, включая использование в коммерческих целях, для получения дохода или сдачи в аренду. Если двигатель находился

в коммерческом использовании, после этого в рамках настоящих гарантийных условий он считается двигателем «коммерческого использования».

Для обеспечения гарантийного обслуживания изделий от Briggs & Stratton нет необходимости в гарантийном талоне. Сохраните свою квитанцию, подтверждающую покупку. Если при обращении за гарантийным обслуживанием не будет предоставлен документ, подтверждающий дату первой покупки, для определения гарантийного периода будет использована дата изготовления продукта.

Информация о вашей гарантии

Настоящая ограниченная гарантия покрывает только связанные с двигателями дефекты материала и/или производства, но не замену или возмещение стоимости оборудования, на котором двигатель может быть установлен. Профилактическое техническое обслуживание, настройка, регулировка или нормальный износ не покрываются настоящей гарантией. Аналогично, гарантия теряет свое действие, если двигатель был изменен или модифицирован, или если серийный номер двигателя был искажен или удален. Настоящая гарантия не покрывает повреждение двигателя или ухудшение рабочих параметров, которые были вызваны следующим:

1. Использование деталей, которые не Briggs & Stratton
2. Эксплуатация двигателя с недостаточным количеством смазочного масла, с загрязненным смазочным маслом, а также в случае использования масла несоответствующей марки;
3. Использование загрязненного или несвежего топлива, бензина, содержащего более 10% этанола, или альтернативных видов топлива, например, сжиженного или природного газа, в двигателях, которые не были изначально предназначены/изготовлены компанией Briggs & Stratton для работы на таких видах топлива;
4. Грязь, попавшая в двигатель вследствие ненадлежащего технического обслуживания воздушного фильтра или его неправильного повторного монтажа;
5. Столкновение лезвия ротационной газонокосилки с твердым предметом, ослабленные или установленные ненадлежащим образом адаптеры ножей, крыльчатки или другие соединенные с коленчатым валом устройства, а также чрезмерное натяжение клиновидного ремня;
6. Связанные детали или узлы, например, муфты сцепления, трансмиссии, органы управления оборудованием и т. п., которые не поставляются компанией Briggs & Stratton;
7. Перегрев, вызванный обрезками травы, грязью, мусором или гнездами грызунов, которые блокируют или засоряют ребра охлаждения или зону маховика, или работой двигателя без достаточной вентиляции;
8. Чрезмерная вибрация, вызванная превышением скорости работы, ослабленным креплением двигателя, ослабленным креплением или неправильной балансировкой лезвий или крыльчаток или ненадлежащим присоединением компонентов оборудования к коленчатому валу;
9. Неправильное использование, отсутствие планового технического обслуживания, ненадлежащая транспортировка или хранение оборудования на складе или неправильная установка двигателя.

Гарантийное обслуживание осуществляется только официальными сервисными дилерами компании Briggs & Stratton. Найдите ближайшего официального сервисного дилера в дилер-локаторе на BRIGGSandSTRATTON.COM или по телефону: 1-800-444-7774 (в США).

80114782 (Версия А)

Všeobecné informácie



Tento návod obsahuje bezpečnostné informácie o nebezpečenstvách a rizikách súvisiacich s motorom a návodom na to, ako im zabrániť. Obsahuje tiež informácie o správnej prevádzke a údržbe tohto stroja. Je dôležité, aby ste si prečítali, pochopili a dodržiavali tieto pokyny. **Tento návod si uschovajte pre budúcu potrebu.**

POZNÁMKA: Obrázky a ilustrácie uvedené v tomto návode slúžia iba ako informácie a môžu sa od vášho modelu líšiť. Použite obrázky, ktoré zodpovedajú vašej konfigurácii motora. Ak je to potrebné, kontaktujte autorizovaného servisného zástupcu.

Pri náhradných dieloch si zaznamenajte dátum zakúpenia, model, typ, výkon a sériové číslo motora. Tieto čísla sa nachádzajú na vašom motore. Pozrite si časť **Dôležité diely a ovládacie prvky**.

Dátum zakúpenia	
Model – typ – štítok motora	
Výrobné číslo motora	

Kontaktné údaje európskej pobočky

S otázkami týkajúcimi sa európskych emisií sa obráťte na našu európsku pobočku na adrese:

Max-Born-Straße 2, 68519 Viernheim, Nemecko.

Fáza V (5) podľa Európskej únie (EÚ): Hodnoty oxidu uhličitého (CO₂)

Ak chcete nájsť hodnoty oxidu uhličitého v motoroch Briggs & Stratton s certifikátom EÚ o typovom schválení, zadajte výraz „CO₂“ do vyhľadávacieho okna na adrese BriggsandStratton.com.

Bezpečnosť obsluhy

Bezpečnostné varovné značky a signálne slová

Bezpečnostný varovný symbol  upozorňuje na bezpečnostné riziká, ktoré môžu vyústiť do úrazu. Signálne slová (**NEBEZPEČENSTVO**, **VAROVANIE** alebo **POZOR**) sa používajú na označenie pravdepodobnosti a možnej závažnosti poranenia. Okrem toho sa môže symbol nebezpečenstva používať na vyjadrenie typu nebezpečenstva.









NEBEZPEČENSTVO označuje riziko, ktorému je potrebné predísť, inak **bude** jeho následkom smrť alebo vážne poranenie.



VAROVANIE označuje riziko, ktorému je potrebné predísť, inak **by** mohla byť jeho následkom smrť alebo vážne poranenie.

POZOR označuje riziko, ktorému je potrebné predísť, inak **by** mohlo dôjsť k malému alebo stredne vážnemu úrazu.

UPOZORNENIE Označuje informácie považované za dôležité, ktoré sa však netýkajú nebezpečenstva.

Symbyly označujúce riziká a ich významy

 Bezpečnostné informácie týkajúce sa rizík, ktoré môžu spôsobiť poranenie osôb.	 Pred prevádzkovaním jednotky alebo vykonávaním servisu na jednotke si prečítajte a pochopte návod na obsluhu.
 Nebezpečenstvo požiaru	 Nebezpečenstvo výbuchu
 Riziko zásahu elektrickým prúdom	 Nebezpečenstvo toxických výparov
 Riziko horúceho povrchu	 Riziko spätného nárazu



 Riziko amputácie – pohybujúce sa diely	 Hladina paliva – Maximálna Nepreplňujte
---	---

Bezpečnostné informácie



VAROVANIE Motory Briggs & Stratton® nie sú skonštruované a nesmú sa používať na pohon motokár, detských vozidiel, rekreačných alebo športových terénnych vozidiel, motocyklov, vznášadiel, lietadiel ani súťažných vozidiel bez súhlasu spoločnosti Briggs & Stratton. Informácie o pretekárskych produktoch si pozrite na stránke www.briggsracing.com. O využití v úžitkových a terénnych vozidlách so sedadlami vedľa seba sa informujte v stredisku spoločnosti Briggs & Stratton pre pohonné aplikácie, 1-866-927-3349. Nesprávne použitie motora môže viesť k smrti alebo závažnému poraneniu.

Informácie o recyklácii

		Všetky kartónové obaly, škatule, použitý olej a batérie nechajte zrecyklovať v zmysle zákonných predpisov.
---	--	--

Dôležité časti a ovládacie prvky

Ovládacie prvky motora

Porovnajte popisné písmená na obrázkoch 1 a 2 s ovládacími prvkami motora v nasledujúcom zozname:

- Identifikačné čísla motora **Model – Typ – Kód**
- Zapaľovacia sviečka
- Vzduchový filter
- Olejová mierka
- Zátka na vypustenie oleja
- Kryt ventilátora
- Olejový filter
- Elektrický štartér
- Karburátor
- Palivový filter (ak je nainštalovaný)
- Palivové čerpadlo (ak je nainštalované)
- Rýchly výpusť oleja (ak je nainštalovaný)
- Chladič oleja (ak je nainštalovaný)
- Elektronická riadiaca jednotka (ak je nainštalovaná)

Symbyly ovládačov motora a ich významy

 Otáčky motora – VYSOKÉ	 Otáčky motora – NÍZKE
 Otáčky motora – ZASTAVENÝ	 ZAP./YYP.
 Štartovanie motora ZATVORENÝ sýtič	 Štartovanie motora OTVORENÝ sýtič
 Veko palivovej nádrže Uzatvárací ventil paliva OTVORENÝ	 Uzatvárací ventil paliva ZATVORENÝ

Prevádzka



VAROVANIE

Výpary z paliva sú horľavé a výbušné. Oheň alebo výbuch môžu spôsobiť vážne popáleniny alebo smrť.

Ak cítite plyn

- Neštartujte motor.
- Nezapínajte vypínače elektrických zariadení.
- Nepoužívajte v blízkosti telefón.
- Vyprázdňte priestor.
- Kontaktujte hasičský zbor.

Počas používania zariadenia

- Nenakláňajte motor ani zariadenie pod uhlom, pri ktorom môže dôjsť k rozliatiu paliva.

Keď zariadenie premiestňujete na iné miesto

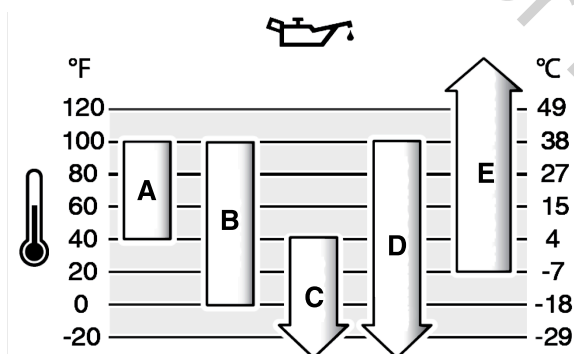
- Uistite sa, že je palivová nádrž PRÁZDNA alebo že je uzatvárací ventil (ak je nainštalovaný) v polohe ZATVORENÉ.

Odporúčenia týkajúce sa oleja

Objem oleja: Pozrite si časť **Technické parametre**.

Odporúčame používať oleje spoločnosti Briggs & Stratton® s certifikovanou zárukou, pre najlepší výkon. Prípustné sú aj iné vysoko kvalitné detergentné oleje, ak majú prevádzkovú klasifikáciu SF, SG, SH, SJ, alebo vyššiu. Nepoužívajte špeciálne prísady.

Pri výbere najlepšej viskozity pre očakávaný rozsah vonkajšej teploty používajte tabuľkou. Motory väčšiny zariadení s motorovým pohonom pracujú vonku dobre so syntetickým olejom 5W-30. V prípade zariadení prevádzkovaných pri vysokých teplotách ponúka najlepší ochranu syntetický olej Vanguard® 15W-50.



A	SAE 30 – pri použití oleja SAE 30 pri teplote pod 40 °F (4 °C) bude štartovanie ťažké.
B	10W-30 – používanie oleja 10W-30 pri teplote nad 80 °F (27 °C) môže mať za následok zvýšenú spotrebu oleja. Hladinu oleja kontrolujte často.
C	5W-30
D	Syntetický olej 5W-30
E	Syntetický olej Vanguard® 15W-50

Skontrolujte hladinu oleja

Pred kontrolou alebo doliatím oleja

- Uistite sa, že motor je vo vodorovnej polohe.
- Priestor na plnenie oleja očistite od nečistôt.
- Pozrite si časť **Technické parametre**, kde je uvedené množstvo oleja.

UPOZORNENIE

Spoločnosť Briggs & Stratton dodáva motor bez oleja. Olej mohli pridať do motora výrobca zariadenia alebo predajca. Pred prvým naštartovaním motora skontrolujte, či je hladina oleja v správnej výške. Podľa potreby doplňte olej podľa pokynov v tejto príručke. Pokiaľ naštartujete motor bez oleja, dôjde k jeho neopraviteľnému poškodeniu. Na takéto poškodenie sa záruka nevzťahuje.

1. Vyberte olejovú mierku (A, Obrázok 3) a utrite ju handričkou.
2. Zasuňte a utiahnite olejovú mierku (A, Obrázok 3).
3. Vyberte mierku a skontrolujte hladinu oleja. Uistite sa, že hladina oleja siaha až po hornú hranicu ukazovateľa hladiny oleja (B, obrázok 3) na olejovej mierke.
4. Ak je hladina oleja nízka, pomaly nalievajte olej do motora cez otvor pre plnenie oleja (C, Obrázok 3). Nedolievajte príliš veľa oleja.

5. Počkajte jednu minútu a znovu skontrolujte hladinu oleja. Uistite sa, že hladina oleja je správna.
6. Zasuňte a utiahnite olejovú mierku (A, Obrázok 3).

Systém ochrany pred nízkou hladinou oleja (ak je nainštalovaný)

Niektoré motory sú vybavené senzorom nízkej hladiny oleja. Ak je hladina oleja nízka, snímač rozsvieti výstražnú kontrolku alebo zastaví motor. Zastavte motor a pred jeho opätovným naštartovaním postupujte podľa nasledujúcich krokov.

- Uistite sa, že je motor vo vodorovnej polohe.
- Skontrolujte olej. Pozrite si časť **Kontrola hladiny oleja**.
- Ak je hladina oleja nízka, doplňte správne množstvo oleja. Naštartujte motor a skontrolujte, či sa nerozsvietila varovná kontrolka (ak je nainštalovaná).
- Ak nie je hladina oleja nízka, motor neštartujte. Na odstránenie problému s olejom sa obráťte na autorizovaného servisného zástupcu Briggs & Stratton.

Odporúčania týkajúce sa paliva

Palivo musí vyhovovať týmto požiadavkám:

- Čistý, nový, bezolovnatý benzín.
- Minimálne 87-oktánový/87 AKI (91 RON). Informácie o používaní vo vysokej nadmorskej výške sa uvádzajú nižšie.
- Použiť možno benzín s obsahom etanolu do 10 % (gasohol).

UPOZORNENIE

Nepoužívajte neschválený benzín, ako napr. E15 alebo E85. Nepridávajte olej do benzínu, neupravujte motor na použitie alternatívnych palív. Používanie neschválených palív spôsobí poškodenie častí motora, na ktoré sa nevzťahuje záruka.

Na ochranu palivového systému pred usadzovaním živočíšnych usadenín a koróziou primiešavajte do paliva bezalkoholový stabilizátor paliva a etanolový prostriedok na ošetrovanie paliva. Pozrite si časť **Skladovanie**. Všetky palivá nie sú rovnaké. Pri problémoch so štartovaním alebo výkonom zmeňte dodávateľa alebo značku paliva. Tento motor je certifikovaný na používanie benzínu. Systém regulácie emisií pre motory s karburátorom je EM (modifikácie motora). Systémy regulácie emisií pre motory s elektronickým vstrekovaním paliva sú ECM (radiaci modul motora), MPI (viacportové vstrekovanie paliva), TBI (vstrekovanie paliva telesa plynu) a ak je vo výbave O2S (snímač kyslíka).

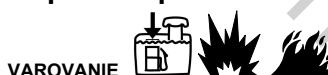
Vysoká nadmorská výška

V nadmorských výškach nad 5 000 stôp (1 524 metrov) je dovolené používať minimálne 85-oktánový benzín/85 AKI (89 RON).

V prípade používania motorov s karburátorom sa požaduje úprava na používanie vo vysokých nadmorských výškach. Bez tejto úpravy dôjde počas prevádzky k zníženiu výkonu, zvýšeniu spotreby paliva a zvýšeniu množstva emisií. Pre získanie informácií o úprave na používanie vo vysokých nadmorských výškach kontaktujte autorizovaného predajcu značky Briggs & Stratton. Používanie motora s úpravou pre vysoké nadmorské výšky v nadmorských výškach do 2 500 stôp (762 metrov) sa neodporúča.

Pri motoroch s elektronickým vstrekovaním paliva (EFI), nie je potrebné robiť žiadne nastavenie podľa nadmorskej výšky.

Doplňanie paliva



VAROVANIE

Palivo a jeho výpary sú mimoriadne horľavé a výbušné. Oheň alebo výbuch môžu spôsobiť vážne popáleniny alebo smrť.

Pri dopĺňaní paliva

- Zastavte motor. Pred odmontovaním viečka palivovej nádrže počkajte najmenej dve (2) minúty, kým motor vychladne.
- Palivovú nádrž doplňajte vonku alebo na dobre vetraných miestach.
- Do nádrže nenalievajte príliš veľa paliva. Kvôli expanzii paliva nepĺňte palivovú nádrž nad spodnú časť hrdla nádrže.
- Palivo uskladňujte v dostatočnej vzdialenosti od výskytu iskier, otvorených plameňov, zapalovacích horákov, tepelných alebo iných zápalných zdrojov.
- Pravidelne kontrolujte palivové potrubie, palivovú nádrž, viečko palivovej nádrže a spojky, či nie sú prasknuté alebo netesné. Poškodené časti vymeňte.
- Ak došlo k rozliatiu paliva, pred štartovaním motora počkajte, kým sa palivo neodparí.

1. Okolie uzáveru palivovej nádrže očistite od špiny a zvyškov. Vyskrutkujte uzáver palivovej nádrže.
2. Naplňte palivovú nádrž (A, obrázok 4) palivom. Kvôli expanzii paliva nenapĺňajte palivovú nádrž nad spodnú časť hrdla nádrže (B).
3. Nainštalujte uzáver palivovej nádrže.

Naštartovanie motora



VAROVANIE

RIZIKO VÝSKYTU JEDOVATÉHO PLYNU. Spaliny z motora obsahujú oxid uhoľnatý, jedovatý plyn, ktorý dokáže spôsobiť smrť v priebehu niekoľkých minút. Aj keď necítite výfukové spaliny, stále môžete byť vystavení nebezpečným účinkom oxidu uhoľnatého. Ak pri používaní tohto výrobku začnete mať pocity nevoľnosti, závratu alebo slabosti, OKAMŽITE vyjdite na čerstvý vzduch.

Vyhľadajte lekára. Hrozí otrava oxidom uhoľnatým.

- Oxid uhoľnatý sa môže akumulovať v obytných priestoroch. Aby sa znížilo riziko nahromadenia oxidu uhoľnatého, zariadenie používajte IBA vonku, ďaleko od okien, dverí a vetracích otvorov.
- Podľa pokynov výrobcu nainštalujte signalizačné zariadenia upozorňujúce na oxid uhoľnatý na batérie alebo napájané zo zásuvky a zálohované batériou. Dymové signalizačné zariadenia nedokážu detegovať oxid uhoľnatý.
- Tento výrobok NEPOUŽÍVAJTE vnútri domov, garáží, pivníc, priestorov pod domom, kólni alebo iných potenciálne uzavretých priestorov, a to aj ak na vetranie používate ventilátory či otvorené okná alebo dvere. Po použití tohto produktu sa môže oxid uhoľnatý rýchlo nahromadiť v týchto priestoroch a zostať tam niekoľko hodín.
- Tento výrobok VŽDY umiestňujte po vetre a výfuk motora smerujte mimo obývaných priestorov.



VAROVANIE

Palivo a jeho výpary sú mimoriadne horľavé a výbušné. Oheň alebo výbuch môžu spôsobiť vážne popáleniny alebo smrť.

Pri štartovaní motora

- Skontrolujte správnosť osadenia zapalovacej sviečky, tlmiča výfuku, uzáveru palivovej nádrže a čističa vzduchu (ak je vo výbave).
- Motor nenatáčajte, ak je vybratá zapalovacia sviečka.
- Ak je motor preplnený, nastavte sýtič (ak je vo výbave) do polohy OTVORENÝ alebo ŠTARTOVANIE. Ovládanie plynu (ak je vo výbave) nastavte do polohy RÝCHLY a motor natáčajte, pokým nenaštartuje.
- Ak v priestore dochádza k úniku zemného alebo skvapalneného plynu, motor neštartujte.
- Nepoužívajte stlačené štartovacie tekutiny, pretože výpary sú horľavé.



VAROVANIE

Rotujúce časti môžu zachytiť ruky, nohy, vlasy, odevy alebo doplnky, čo môže mať za následok traumatickú amputáciu alebo tržné rany.

- Zariadenie používajte iba so správnymi nasadenými krytmi.
- Ruky a nohy nepribližujte k rotujúcim dielom.
- Zložte si šperky a vlasy udržiňte mimo rotujúcich častí.
- Nenoste voľné odevy ani doplnky, ktoré by mohol stroj zachytiť.

- Skontrolujte motorový olej. Pozrite si časť **Kontrola hladiny oleja**.
- Uistite sa, že sú ovládacie prvky pohonu zariadenia, ak sú nainštalované, vyradené.
- Uzatvárací ventil paliva (A, obrázok 5), ak je nainštalovaný, posuňte do polohy OTVORENÝ
- Posuňte páku ovládania plynu (B, obrázok 5), ak je nainštalovaná, do polohy RÝCHLO.
- Pri modeloch s ovládačom sýtiča** (C, obrázok 5), ak je nainštalovaný, posuňte tento ovládač sýtiča do polohy ZATVORENÝ. **Pri modeloch so spoločným ovládačom sýtiča/plynu** (G, obrázok 5), ak je nainštalovaný, posuňte túto páčku do polohy SÝTIČ. **Pri modeloch s ReadyStart®** prejdite na ďalší krok.

POZNÁMKA: Pri štartovaní zahriateho motora spravidla nie je potrebný sýtič.

- Ak chcete naštartovať motor, otočte spináci kľúč (D, obrázok 5), ak je nainštalovaný, do polohy ZAP./ŠTART alebo stlačte tlačidlo (E).
- Počas zahrievania motora posuňte ovládač sýtiča (C, obrázok 5), ak je nainštalovaný, do polohy OTVORENÝ.

Zastavenie motora



VAROVANIE

Palivo a jeho výpary sú mimoriadne horľavé a výbušné. Oheň alebo výbuch môžu spôsobiť vážne popáleniny alebo smrť.

- Nezastavujte motor priškrcovaním sýtiča karburátora, ak je vo výbave.

- S páčkou ovládania plynu v polohe POMALÝ (nízke otáčky) otočte spináč elektrického štartovania (D, obrázok 6), ak je nainštalovaný, do polohy VYP.

- Vytiahnite kľúč a uložte ho na bezpečné miesto.
- Po zastavení motora otočte uzatvárací ventil paliva (A, obrázok 6), ak je nainštalovaný, do polohy ZATVORENÝ.

Údržba

Informácie týkajúce sa údržby



VAROVANIE

Palivo a jeho výpary sú mimoriadne horľavé a výbušné. Oheň alebo výbuch môžu spôsobiť vážne popáleniny alebo smrť.

Počas údržby je potrebné zariadenie nakloniť. Uistite sa, že palivová nádrž, ak je namontovaná na motore, je prázdna a strana so zapalovacou sviečkou je hore. Ak nádrž nie je prázdna, môže dôjsť k rozliatiu paliva, čo môže mať za následok požiar alebo výbuch. Ak je motor naklonený iným smerom, nebude sa dať ľahko naštartovať z dôvodu kontaminácie filtra vzduchu alebo zapalovacej sviečky olejom alebo palivom.



VAROVANIE

Náhodná iskra z motora môže spôsobiť zásah elektrickým prúdom, požiar alebo výbuch, čo môže mať za následok zachytenie do stroja, traumatickú amputáciu alebo tržné rany.

Pred vykonávaním nastavení a opráv:

- Odpojte všetky drôty zapalovacej sviečky a uchovávajte ich ďaleko od zapalovacích sviečok.
- Odpojte kábel od záporného pólu batérie (iba pri motoroch s elektrickým štartovaním).
- Používajte iba správne náradie.

Počas kontroly iskier:

- Používajte schválený skúšač zapalovacích sviečok.
- Neskúšajte iskru pri odstránenej zapalovacej sviečke.



VAROVANIE

Náhradné diely musia mať rovnakú konštrukciu a musia byť namontované na to isté miesto ako pôvodné diely. Ostatné diely môžu spôsobiť poškodenie alebo zranenia.

UPOZORNENIE

Aby motor správne fungoval, všetky časti použité v konštrukcii tohto motora musia zostať na mieste.

Pri každej údržbe a servise motora a dielov motora navštívte autorizovaného servisného zástupcu Briggs & Stratton.

Servis systému kontroly emisií

Údržbu, výmenu alebo opravu zariadení a systémov na kontrolu emisií vo výfukových plynoch zverte kvalifikovanému servisnému stredisku alebo pracovníkovi. „Bezplatná“ kontrola emisií vo výfukových plynoch môže byť vykonaná iba u servisného zástupcu autorizovaného výrobným závodom. Pozrite si vyhlásenia o kontrole emisií škodlivín.

Plán údržby

Prvých 5 hodín
<ul style="list-style-type: none">Vymeňte motorový olej¹.
8-hodinové intervaly alebo denne
<ul style="list-style-type: none">Skontrolujte hladinu motorového oleja.Očistite priestor okolo tlmiča výfuku a ovládacích prvkov.Očistite mriežku na nasávanie vzduchu.
25-hodinové intervaly alebo raz ročne
<ul style="list-style-type: none">Vyčistite vzduchový filter².Vyčistite predfilter².
50-hodinové intervaly alebo raz ročne
<ul style="list-style-type: none">Vymeňte motorový olej³.Vymeňte olejový filter (ak je nainštalovaný)³.Vykonajte servisnú údržbu výfukového systému.
100-hodinové intervaly alebo ročne
<ul style="list-style-type: none">Vymeňte motorový olej⁴.

<ul style="list-style-type: none"> • Vymeňte olejový filter (ak je nainštalovaný)⁴.
Raz ročne
<ul style="list-style-type: none"> • Vymeňte zapaľovaciu sviečku. • Vymeňte vzduchový filter. • Vymeňte predfilter. • Vymeňte palivový filter. • Vykonajte servisnú údržbu chladiaceho systému¹. • Skontrolujte vôľu ventilov⁵.

¹ Iba motory bez olejového filtra.

² Čistite častejšie v prachových podmienkach, alebo ak je v ovzduší veľké množstvo čistočiek.

³ Motory bez olejového filtra alebo so štandardným čiernym olejovým filtrom. Pozrite si časť *Technické parametre*, kde je uvedené číslo daného dielu.

⁴ Motory s vysoko účinným žltým, alebo oranžovým olejovým filtrom. Pozrite si časť *Technické parametre*, kde je uvedené číslo daného dielu.

⁵ Nie je potrebné, pokiaľ sa nevyskytnú problémy s výkonnosťou motora.

Systém elektronického riadenia spotreby paliva

Systém elektronického riadenia spotreby paliva sleduje počas štartovania a zahrievania motora teplotu motora, otáčky motora a napätie batérie, kvôli správne nastaveniu sýtiča. Tento systém nie je potrebné nastavovať. S problémami so štartovaním alebo prevádzkovaním motora sa obráťte na autorizovaného servisného zástupcu Briggs & Stratton.

UPOZORNENIE Musíte dodržať tieto pravidlá, pretože v opačnom prípade môže dôjsť k poškodeniu systému elektronického riadenia spotreby paliva.

- Motor NEŠTARTUJTE, ak sú káble od batérie uvoľnené.
- Pred zapojením káblov pre pomocné štartovanie motora odpojte alebo opätovne zapojte káble batérie, kľúčik zapalovania otočte do polohy VYP. Pri nabíjaní batérie majte kľúčik zapalovania otočený v polohe VYP.
- Pri odpájaní káblov batérie od batérie najprv odpojte záporný (-) kábel a potom kladný (+) kábel od batérie. Pri pripájaní káblov batérie k batérii najprv pripojte kábel na kladný (+) kábel a potom na záporný (-) kábel k batérii.
- Na štartovanie motora NEPOUŽÍVAJTE nabíjačku batérie.
- Káble od batérie NEODPÁJAJTE počas chodu motora.
- NESTRIEKAJTE vodu priamo na elektronickú riadiacu jednotku.

Karburátor a otáčky motora

Nerobte úpravy v karburátore, pružine regulátora, prepojeniach ani iných dieloch s cieľom zmeniť otáčky motora. Ak sú potrebné úpravy, požiadajte o servis autorizovaného servisného zástupcu Briggs & Stratton.

UPOZORNENIE

Výrobca zariadenia, na ktorom je namontovaný motor, stanovuje maximálne povolené otáčky tohoto motora. Neprekračujte tieto otáčky. Ak si nie ste istí hodnotou maximálnych povolených otáčok zariadenia, na ktorom je motor, alebo na aké otáčky bol nastavený motor vo výrobnom závode, požiadajte o pomoc autorizovaného servisného zástupcu Briggs & Stratton. Aby zariadenie pracovalo bezpečne a správne, otáčky motora musia byť nastavené iba kvalifikovaným servisným technikom.

Servis výfukových a chladiacich systémov



VAROVANIE
Počas prevádzky sa motor a tlmíč výfuku zahrejú na vysokú teplotu. Ak sa dotknete horúceho motora, môže dôjsť k popáleninám.

Môže dôjsť k zapáleniu horľavých nečistôt, ako sú listy, tráva, chrastie atď.

- Skôr, ako sa dotknete motora alebo tlmíča výfuku, zastavte motor a počkajte dve (2) minúty. Uistite sa, že sa motora a tlmíča výfuku môžete bezpečne dotknúť.
- Odstráňte nečistoty z tlmíča výfuku a motora.

Používanie motora na akejkoľvek zalesnenej, zatravnenej ploche alebo na ploche pokrytej krikmi bez lapača iskier na výfukovom systéme udržiavaného vo funkčnom stave je v zmysle § 4442 porušením Zákonníka verejných zdrojov štátu Kalifornia. Ostatné štáty alebo federálne jurisdikcie môžu mať podobné zákony, pozrite si federálnu reguláciu 36 CFR časť 261.52. Keď chcete získať zachytávač iskier, ktorý bol navrhnutý pre výfukový systém pre tento motor, skontaktujte sa s výrobcou originálneho zariadenia, s obchodníkom, alebo s predajcom.

Tento motor je chladený vzduchom. Nečistoty alebo nežiaduci materiál môžu zabrániť prúdeniu vzduchu a spôsobiť prílišné zahrievanie motora. To má za následok nedostatočný výkon a skracuje životnosť motora. Na chladiacich rebrách valca sa

môže zhromažďovať nežiaduci materiál, ktorý nie je možné odstrániť bez čiastočného rozobratia motora. Zabezpečte, aby autorizovaný servisný zástupca Briggs & Stratton preskúmal a vyčistil systém chladenia vzduchom. Pozrite si *Harmonogram údržby*.

1. Uistite sa, že okolo tlmíča výfuku a za ním nie sú žiadne zápalné materiály.
2. Pomocou kefy alebo suchej handry odstráňte všetok nežiaduci materiál z krytu ventilátora, tlmíča výfuku a oblasti valca. Na čistenie motora NEPOUŽÍVAJTE vodu.
3. Uistite sa, že spojenie, pružiny a ovládacie prvky sú čisté.
4. Skontrolujte tlmíč výfuku, či nie je prasknutý, skorodovaný, alebo inak poškodený.
5. Odmontujte kryt alebo lapač iskier (ak je nainštalovaný) a skontrolujte, či nie je poškodený alebo zanesený karbónovými usadeninami. Pred prevádzkou zariadenia nezabudnite vyčistiť alebo nainštalovať náhradné diely.
6. Dbajte na to, aby boli rebrá olejového chladiča, ak sú nainštalované, čisté.

Údržba zapaľovacej sviečky

Skontrolujte vzdialenosť elektród zapaľovacej sviečky (A, Obrázok 7) pomocou mierky (B). Ak je to potrebné, upravte vzdialenosť elektród zapaľovacej sviečky. Zapaľovaciu sviečku zaskrutkujte a utiahnite správnym krútiacim momentom. Informácie o vzdialenosti elektród a krútiacich momentoch nájdete v časti *Technické parametre*.

Výmena motorového oleja



VAROVANIE
Palivo a jeho výpary sú mimoriadne horľavé a výbušné. Oheň alebo výbuch môžu spôsobiť vážne popáleniny alebo smrť.

Počas prevádzky sa motor a tlmíč výfuku zahrejú na vysokú teplotu. Ak sa dotknete horúceho motora, môže dôjsť k popáleninám.

- Pokiaľ vypúšťate olej z hornej plniacej rúrky oleja, palivová nádrž musí byť prázdna. V prípade, že nádrž nie je prázdna, môže dôjsť k úniku paliva, čo môže mať za následok požiar alebo výbuch.
- Skôr, ako sa dotknete motora alebo tlmíča výfuku, zastavte motor a počkajte dve (2) minúty. Uistite sa, že sa motora a tlmíča výfuku môžete bezpečne dotknúť.

Použitý olej je nebezpečný odpad a musí sa správne zlikvidovať. Nevyhadzujte ho s domovým odpadom. Informácie o bezpečnej likvidácii a miestach recyklácie získate na miestnom úrade, v servisnom stredisku alebo u predajcu.

Vypustenie oleja

1. Na VYPNUTOM, ale ešte teplom motore odpojte zapaľovací kábel (káble) (D, obrázok 8) od zapaľovacej sviečky a nepribližujte ho k zapaľovacej sviečke (sviečkam) (E).
2. Vytiahnite olejovú mierku (A, Obrázok 9).

Zátka na vypúšťanie oleja, ak je nainštalovaná

1. Vyskrutkujte zátku na vypúšťanie oleja (F, Obrázok 10). Olej vypustíte do schválenej nádoby.

POZNÁMKA: Zátky na vypúšťanie oleja (G, obrázok 10) môžu byť nainštalované v motore.

2. Po vypustení oleja zaskrutkujte zátku na vypúšťanie oleja a utiahnite ju (F, Obrázok 10).

Rýchly výpusť oleja, ak je nainštalovaný

1. Odpojte hadičku na rýchle vypúšťanie oleja (H, obrázok 11) od boku motora.
2. Otočte a vyberte uzáver na vypúšťanie oleja (I, obrázok 11). Opatrne spustíte nadol hadičku pre rýchle vypustenie oleja (H) do vhodnej nádoby (J).
3. Po vypustení oleja nasadte uzáver na rýchle vypúšťanie oleja (I, obrázok 11). Hadičku na rýchle vypúšťanie oleja (H) upevnite k boku motora.

Pridať olej

- Uistite sa, že motor je vo vodorovnej polohe.
- Priestor na plnenie oleja očistite od nečistôt.
- Pozrite si časť *Technické špecifikácie*, kde je uvedené množstvo oleja.

1. Vytiahnite olejovú mierku (A, Obrázok 3). Pomocou čistej handričky odstráňte olej z mierky oleja.
2. Pomaly nalievajte olej do otvoru pre nalievanie motorového oleja (C, Obrázok 3). **Do otvoru na plnenie oleja motora nenalievajte nadmerné množstvo oleja.** Počkajte jednu minútu a skontrolujte hladinu oleja.

POZNÁMKA: Olej nepridávajte cez rýchly výpusť oleja, ak je vo výbave.

3. Zasuňte a utiahnite olejovú mierku (A, Obrázok 3).
4. Vyberte mierku a skontrolujte hladinu oleja. Správna hladina oleja je na vrchu ukazovateľa výšky hladiny (B, Obrázok 3) na mierke oleja.
5. Zasuňte a utiahnite olejovú mierku (A, Obrázok 3).

- Kábel (káble) zapalovacej sviečky pripojte k zapalovacej sviečke (sviečkam). Pozrite si časť **Vypustenie oleja**.

Výmena olejového filtra

- Vypustíte olej z motora. Pozrite si časť **Vypustenie oleja**.
- Odmontujte olejový filter (H, obrázok 12) a správne ho zlikvidujte.
- Pred nainštalovaním nového olejového filtra jemne namažte tesnenie olejového filtra novým, čistým olejom.
- Olejový filter naskrutkujte rukou, pokiaľ sa tesnenie nedotkne adaptéra olejového filtra, a potom olejový filter utiahnite o 1/2 až 3/4 otáčky.
- Doplňte olej. Pozrite si časť **Doliatie oleja**.
- Naštartujte motor a nechajte ho bežať. Keď sa motor zohreje, skontrolujte, či neuniká olej.
- Motor zastavte. Uistite sa, že hladina oleja siaha až po hornú hranicu ukazovateľa hladiny oleja na olejovej mierke. Pozrite si časť **Doliatie oleja**.

Servis vzduchového filtra

VAROVANIE

Výpary z paliva sú horľavé a výbušné. Oheň alebo výbuch môžu spôsobiť vážne popáleniny alebo smrť.

- Motor nikdy neštartujte ani neprevádzkujte, keď sú zostava čističa vzduchu (ak je vo výbave) alebo filter vzduchu (ak je vo výbave) demontované.

UPOZORNENIE

Na čistenie vzduchového filtra nepoužívajte stlačený vzduch ani rozpúšťadlá. Stlačený vzduch môže filter poškodiť a rozpúšťadlá zas rozpustiť.

Pozrite si **Plán údržby**, kde nájdete požiadavky na vykonanie servisu.

Niektoré modely používajú penový filter a niektoré papierový. Niektoré modely môžu byť tiež vybavené voliteľným predfilterom, ktorý je možné vyčistiť a znovu použiť. Porovnajte zobrazenia v tomto návode s typom použitým na vašom motore a podľa toho vykonajte servis.

Papierový vzduchový filter (s predfilterom)

- Uvoľnite príchytku (príchytky) (A, obrázok 13).
- Odstráňte kryt vzduchového filtra (B, obrázok 13).
- Odstráňte filter (C, obrázok 13) a predfilter (D), ak je nainštalovaný.
- Na uvoľnenie nečistôt jemne poklepte vzduchový filter o tvrdý povrch. Ak je filter znečistený, nahradte ho novým.
- Vyčistite predfilter (D, obrázok 13), ak je nainštalovaný, v tekutom čistiacom prostriedku a vode. Nechajte predfilter dôkladne vyschnúť na vzduchu. Predfilter **NEMAŽTE**.
- Nasadte suchý predfilter (D, obrázok 13), ak je nainštalovaný, a filter (C) do základne vzduchového filtra (E).
- Nasadte kryt vzduchového filtra (B, obrázok 13) a zaistite ho príchytkou (príchytkami) (A). Skontrolujte, či je príchytka (príchytky) utiahnutá.

Vzduchový filter (kazeta s predfilterom)

- Uvoľnite príchytku (príchytky) (A, obrázok 14, 15).
- Odstráňte kryt vzduchového filtra (B, obrázok 14, 15).
- Filter (C, obrázok 14, 15) odstráňte zdvihnutím jeho konca.
- Na uvoľnenie nečistôt jemne poklepte vzduchový filter o tvrdý povrch. Ak je filter znečistený, nahradte ho novým.
- Vyberte predfilter (D, obrázok 14, 15) z filtra (C).
- Vyčistite predfilter (D, obrázok 14, 15) v tekutom čistiacom prostriedku a vode. Nechajte predfilter dôkladne vyschnúť na vzduchu. Predfilter **NEMAŽTE**.
- Nasadte suchý predfilter (D, obrázok 14, 15) na filter, ak je nainštalovaný.
- Nasadte filter (C, obrázok 14, 15) a predfilter (D), ak je nainštalovaný, do základne vzduchového filtra (E) a zatlačte ich nadol, až kým nezačujete kliknutie.
- Nasadte kryt vzduchového filtra (B, obrázok 14, 15) a zaistite ho príchytkou (príchytkami) (A). Skontrolujte, či je príchytka (príchytky) utiahnutá.

Vykonajte servisnú údržbu palivového systému



VAROVANIE

Palivo a jeho výpary sú mimoriadne horľavé a výbušné. Oheň alebo výbuch môžu spôsobiť vážne popáleniny alebo smrť.

- Palivo uskladňujte v dostatočnej vzdialenosti od výskytu iskier, otvorených plameňov, zapalovacích horákov, tepelných alebo iných zápalných zdrojov.
- Pravidelne kontrolujte palivové potrubie, palivovú nádrž, viečko palivovej nádrže a spojky, či nie sú prasknuté alebo netesné. Poškodené časti vymeňte.
- Ak došlo k rozliatiu paliva, pred štartovaním motora počkajte, kým sa palivo neodparí.

Palivový filter, ak je nainštalovaný

- Pred výmenou palivového filtra (A, obrázok 16) vypustíte palivo z palivovej nádrže alebo zatvorte uzatvárací ventil paliva. Ak z palivovej nádrže nevypustíte palivo, môže dôjsť k jeho unikaniu a vzniku požiaru alebo výbuchu.
- Kliešťami stlačte výstupky (B, obrázok 16) na svorkách (C). Potom odtlačte svorky z palivového filtra (A).
- Krútením a ťahaním odpojte palivové vedenia (D, obrázok 16) od palivového filtra.
- Skontrolujte, či nie sú palivové vedenia (D, obrázok 16) prasknuté, alebo netesniace. Ak je to potrebné, vymeňte palivové potrubia.
- Vymeňte palivový filter (A, obrázok 16).
- Zapojte palivové rúrky (D, obrázok 16) so svorkami (C).

Skladovanie

Palivový systém

Pozrite si obrázok: 17.

VAROVANIE

Palivo a jeho výpary sú mimoriadne horľavé a výbušné. Oheň alebo výbuch môžu spôsobiť vážne popáleniny alebo smrť.

Skladovanie paliva

- Neskladujte zariadenie v blízkosti kotlov, pecí, ohrievačov vody ani iných spotrebičov, ktoré majú pilotný plameň alebo iné zápalné zdroje, pretože sa môžu vznietiť palivové výpary.

Motor uskladnite vo vodorovnej polohe (štandardná prevádzková poloha). Naplňte palivovú nádrž (A, obrázok 17) palivom. Palivovú nádrž nenaplňajte nad hrdlo a ponechajte priestor na rozpínanie paliva (B).

Keď je palivo uskladňované v skladovacej nádobe viac ako 30 dní, môže sa zvetrať. Do skladovacej nádoby s palivom sa odporúča pridať bezalkoholový stabilizátor paliva a etanolový prostriedok na ošetrovanie paliva, aby sa predišlo znehodnoteniu paliva a aby sa palivo udržiavalo čerstvé.

Keď naplníte skladovaciu nádobu palivom, pridajte bezalkoholový stabilizátor paliva podľa pokynov uvedených výrobcom. Ak benzín v motore nebol ošetrovaný stabilizátorom paliva, musí sa vypustiť do schválenej nádoby. Nechajte motor bežať, kým sa nespotrebuje všetko palivo.

Motorový olej

Motorový olej vymeňte kým je motor ešte teplý. Pozrite si časť **Výmena motorového oleja**.

Riešenie problémov

Asistencia

Ak potrebujete pomoc, obráťte sa na svojho miestneho zástupcu alebo navštívte stránku **BRIGGSandSTRATTON.COM**, alebo zavolajte na tel. č. **1-800-444-7774** (v USA).

Technické parametre a náhradné diely

Technické parametre	Model: 400000	Model: 440000
Zdvihový objem	40.03 kubický palec (656 cm ³)	44.18 kubický palec (724 cm ³)
Priemer valca	2.970 in (75,43 mm)	3.120 in (79,24 mm)
Zdvih	2.890 in (73,41 mm)	2.890 in (73,41 mm)
Objem oleja	62 - 64 unca (1,8 - 1,9 l)	62 - 64 unca (1,8 - 1,9 l)
Vzdialenosť elektród zapalovacej sviečky	.030 in (,76 mm)	.030 in (,76 mm)

Technické parametre	Model: 40000	Model: 44000
Uťahovací moment zapalovacej sviečky	180 lb-palec (180 Nm)	180 lb-palec (20 Nm)
Vzduchová medzera armatúry	.008 - .012 in (,20 - ,30 mm)	.008 - .012 in (,20 - ,30 mm)
Vôľa nasávacieho ventilu	.004 - .006 in (,10 - ,15 mm)	.004 - .006 in (,10 - ,15 mm)
Vôľa výfukového ventilu	.004 - .006 in (,10 - ,15 mm)	.004 - .006 palec (,10 - ,15 mm)

Technické parametre	Model: 49000
Zdvihový objem	49.42 kubický palec (810 cm ³)
Priemer valca	3.300 in (83,81 mm)
Zdvih	2.890 in (73,41 mm)
Objem oleja	66 - 68 unca (1,9 - 2,0 l)
Vzdialenosť elektród zapalovacej sviečky	.030 in (,76 mm)
Uťahovací moment zapalovacej sviečky	180 lb-palec (180 Nm)
Vzduchová medzera armatúry	.008 - .012 in (,20 - ,30 mm)
Vôľa nasávacieho ventilu	.004 - .006 in (,10 - ,15 mm)
Vôľa výfukového ventilu	.004 - .006 in (,10 - ,15 mm)

Servisné diely

Ak si chcete kúpiť servisné diely Briggs & Stratton, vyhľadajte autorizovaného servisného zástupcu na lokalite BRIGGSandSTRATTON.COM. Budete potrebovať svoje identifikačné číslo (model – typ – výbava). Identifikačné číslo motora nájdete v časti **Features and Controls** (Dôležité diely a ovládacie prvky).

Výkonové parametre

Celkový výkon jednotlivých benzínových motorov je označovaný v súlade s normou SAE (Spoločnosť automobilových inžinierov) J1940 Postup stanovovania výkonu a krútiaceho momentu malých motorov a určovaný v súlade s normou SAE J1995. Hodnoty krútiacich momentov sú získané pri 2 600 ot./min pre tie motory, ktoré majú na štítku uvedené „rpm“ a 3 060 ot./min pre všetky ostatné; hodnoty konských síl sú získané pri 3 600 ot./min. Celkové výkonnostné krivky si môžete pozrieť na stránke www.BRIGGSandSTRATTON.COM. Hodnoty skutočného výkonu sú vypočítané s nainštalovaným filtrom vzduchu a filtrom výfukových spodín a hodnoty nominálneho výkonu boli stanovené bez týchto pripojných jednotiek. Hodnota nominálneho výkonu motora bude vyššia ako hodnota skutočného výkonu motora a okrem iného je ovplyvnená okolitými prevádzkovými podmienkami a variabilitou jednotlivých motorov. Vzhľadom na veľký počet výrobkov, v ktorých môže byť motor nainštalovaný, benzínový motor nemusí dosahovať svoj celkový nominálny výkon pri použití určitého motorového zariadenia. Tento rozdiel je zapríčinený rôznymi faktormi vrátane (okrem iného) prvkov motora (vzduchový čistič, výfuk, nabíjanie, chladenie, karburátor, palivové čerpadlo atď.), obmedzení použitia, okolitých prevádzkových podmienok (teplota, vlhkosť, nadmorská výška) a variability jednotlivých motorov. Z dôvodu výrobných a kapacitných obmedzení môže spoločnosť Briggs & Stratton nahradiť motory tejto série motormi s vyšším menovitým výkonom.

Záruka

Záruka na motory Briggs & Stratton®

Platná od augusta 2022

Obmedzená záruka

Spoločnosť Briggs & Stratton garantuje, že podľa svojho vlastného uváženia počas záručnej lehoty uvedenej dole zdarma opraví alebo vymení každý chybný diel, ak ide o materiállovú alebo výrobnú chybu či kombináciu oboch, za nový, opravený alebo repasovaný diel. Prepravné náklady výrobku predloženého na opravu alebo výmenu podľa tejto záruky musí niesť kupujúci. Táto záruka platí na obdobie a za podmienok stanovených ďalej. Pri potrebe záručného servisu môžete vyhľadať najbližšieho autorizovaného servisného zástupcu na našej mape na vyhľadávanie zástupcov na stránke BRIGGSandSTRATTON.COM. Kupujúci sa musí obrátiť na autorizovaného servisného predajcu a poskytnúť mu výrobok na kontrolu a testovanie.

Neexistuje žiadna iná výslovná záruka. Predpokladané záruky vrátane záruk predajnosti a vhodnosti pre konkrétny účel, sú obmedzené na jeden rok od kúpy, alebo v rozsahu povolenom zákonom. Všetky ostatné predpokladané záruky sú vylúčené. Zodpovednosť za náhodné alebo následné škody je vylúčená v rozsahu vylúčenia dovoleného legislatívne. Niektoré štáty alebo krajiny neumožňujú obmedzenia alebo to, ako má dlho implikovaná záruka platiť, pričom niektoré štáty alebo krajiny neumožňujú vylúčenie alebo obmedzenie náhodných alebo následných škôd, a tak sa uvedené obmedzenie nemusí na vás vzťahovať. Táto

záruka vám dáva konkrétne zákonné práva a môžete mať aj ďalšie práva, ktoré sú rôzne v rôznych štátoch a krajinách.

Štandardné záručné podmienky^{1, 2}

Vanguard®, Komerčná séria

Spotrebiteľské použitie – 36 mesiacov

Komerčné použitie – 36 mesiacov

Rad XR

Spotrebiteľské použitie – 24 mesiacov

Komerčné použitie – 24 mesiacov

Všetky ostatné motory s liatinovou vložkou valca Dura-Bore™

Spotrebiteľské použitie – 24 mesiacov

Komerčné použitie – 12 mesiacov

Všetky ďalšie motory

Spotrebiteľské použitie – 24 mesiacov

Komerčné použitie – 3 mesiace

¹ Toto sú naše štandardné záručné podmienky, niekedy môže však existovať doplnkové záručné krytie, ktoré nebolo stanovené v čase publikácie. Zoznam aktuálnych záručných podmienok pre svoj motor nájdete na stránke BRIGGSandSTRATTON.COM, alebo sa obráťte na svojho autorizovaného servisného zástupcu Briggs & Stratton.

² Záruka neplatí pre motory nainštalované na zariadeniach používaných ako základné zdroje elektrického prúdu namiesto elektrárenskej distribučnej spoločnosti, na záložných generátoroch používaných na komerčné účely, úžitkových vozidlách nad 25 MPH alebo motory používané pri športových pretekoch alebo na komerčných alebo nájomných pretekárskych tratiach.

* V Austrálii – náš tovar sa dodáva so zárukami, ktoré nemôžu byť vylúčené podľa austrálskeho zákona na ochranu spotrebiteľov. Máte nárok na výmenu alebo vrátenie peňazí v prípade závažnej poruchy a na náhradu primerane predvídateľných strát alebo škôd. Tiež máte nárok na opravu alebo výmenu tovaru, ak opravený alebo vymenený tovar nedosahuje prijateľnú kvalitu, aj ak porucha takéhoto tovaru nepredstavuje závažnú poruchu. Ak potrebujete vykonať záručný servis, na našej mape na vyhľadávanie zástupcov na stránke BRIGGSandSTRATTON.COM vyhľadajte najbližšieho autorizovaného servisného zástupcu alebo zavolajte na tel. č. 1300 274 447, alebo pošlite email na adresu salesenquiries@briggsandstratton.com.au, alebo napíšte na adresu Briggs & Stratton Australia Pty Ltd, 1 Moorebank Avenue, Moorebank, NSW, Austrália, 2170.

Záručná lehota sa začína dňom zakúpenia prvým maloobchodným spotrebiteľom alebo komerčným koncovým užívateľom a trvá čas uvedený v tabuľke vyššie. „Spotrebiteľské použitie“ znamená používanie maloobchodným spotrebiteľom v rámci osobného, domáceho použitia. „Komerčné použitie“ znamená všetky ostatné použitia, vrátane používania na komerčné účely, zárobkovú činnosť alebo na účely prenajmania. Keď už bol raz motor použitý na komerčné účely, tak pre účely tejto záruky bude považovaný za komerčne používaný motor.

Na získanie záruky na výrobky značky Briggs & Stratton nie je potrebná žiadna registrácia záruky. Ušchovajte si doklad o nákupe. Ak počas vykonávania záručného servisu neposkytnete doklad o prvotnom nákupe s uvedeným dátumom, na účel stanovenia záruky sa použije dátum výroby výrobku.

O vašej záruke

Táto záruka platí iba na chybný materiál alebo nesprávne spracovanie materiálu motora a nie na výmenu alebo preplatenie zariadenia, na ktorom môže byť motor namontovaný. Táto záruka sa nevzťahuje na bežnú údržbu, nastavovanie alebo normálne opotrebenie a poškodenie. Podobne záruka neplatí, ak bol motor pozmenený alebo opravený, alebo ak bolo poškodené alebo odstránené výrobné číslo motora. Táto záruka neplatí na poškodenie motora alebo problémy s výkonom spôsobené:

1. Použitím dielov, ktoré nie Briggs & Stratton
2. Prevádzkovaním motora, v ktorom je nevhodný, znečistený olej, alebo olej nesprávnej triedy;
3. Používaním znečisteného alebo zvetraného paliva, benzínu s viac než 10 % primiešaného etanolu alebo používaním alternatívnych palív, ako napríklad skvapalneného plynu alebo zemného plynu, v motoroch, ktoré neboli pôvodne navrhnuté/vyrobené spoločnosťou Briggs & Stratton na používanie týchto alternatívnych palív;
4. Špinou, ktorá vnikla do motora z dôvodu nesprávnej údržby alebo nesprávneho zmontovania vzduchového filtra;
5. Nárazom rotačného noža kosačky na trávu do pevného predmetu, uvoľneným alebo nesprávne namontovaným adaptérom noža, uvoľneným ozubeným kolesom, alebo inými dielmi mechanicky spojenými s klukovým hriadeľom, alebo príliš silno napnutým klinovým remeňom;
6. Mechanicky pripojenými dielmi alebo zostavami, ako sú spojky, prevodovky, ovládacie prvky zariadenia, na ktorom je namontovaný motor atď., ktoré nie sú dodané spoločnosťou Briggs & Stratton;

7. Prehriatím spôsobeným pokosenou trávou, špinou alebo hniezdami hlodavcov, ktoré upchajú alebo zanesú chladiace rebrá, alebo priestor zotrvačníka, alebo nedostatočným vzduchovým chladením pracujúceho motora;
8. Nadmernými vibráciami spôsobenými príliš vysokými otáčkami, uvoľneným uchytением motora, uvoľnenými alebo nevyváženými nožmi alebo ozubenými kolesami, alebo nesprávnym pripojením dielov zariadenia, na ktorom je namontovaný motor, ku klukovému hriadelu;
9. Nesprávnym používaním, nedostatočnou bežnou údržbou, nesprávnou prepravou, manipuláciou alebo skladovaním zariadenia, na ktorom je namontovaný motor, alebo nesprávnou montážou motora do zariadenia.

Záručný servis je k dispozícii len prostredníctvom autorizovaných servisných zástupcov spoločnosti Briggs & Stratton. Vyhľadajte svojho najbližšieho autorizovaného servisného zástupcu prostredníctvom našej mapy na vyhľadávanie zástupcov na stránke spoločnosti BRIGGSandSTRATTON.COM, alebo zavolajte na tel. č. 1-800-444-7774 (v USA).

80114782 (Revízia A)

Not for reproduction

Splošne informacije



Ta priročnik vsebuje varnostne informacije o tveganjih in nevarnostih, povezanih z motorjem, ter načinih za njihovo preprečevanje. Vsebuje tudi navodila o pravilni uporabi in vzdrževanju motorja. Pomembno je, da jih preberete, razumete in upoštevate. **Ta priročnik obdržite za nadaljnjo referenco.**

OPOMBA: Slike in ilustracije v tem priročniku so le informativne in se lahko razlikujejo od vašega modela. Upoštevajte slike, ki ustrezajo konfiguraciji vašega motorja. Po potrebi se posvetujte s pooblaščenim serviserjem.

Za nadomestne dele si zabeležite datum nakupa, model, tip in opremo motorja ter njegovo serijsko številko. Te številke do na motorju. Glejte poglavje **Deli in upravljalni elementi**.

Datum nakupa	
Model, tip in oprema motorja	
Serijska številka motorja	

Podatki za stik z evropsko pisarno

Za vprašanja v zvezi z evropskimi emisijami stopite v stik z našo evropsko pisarno:

Max-Born-Straße 2, 68519 Viernheim, Nemčija.

Stopnja V (5) Evropske unije (EU): Vrednosti ogljikovega dioksida (CO₂)

Vnesite CO₂ v iskalno okence na BriggsandStratton.com, da najdete vrednosti ogljikovega dioksida motorjev Briggs & Stratton s certifikati EU za odobritev tipa.

Varnost upravljavca

Varnostni opozorilni simboli in opozorilne besede



Varnostni opozorilni simbol označuje varnostne informacije o nevarnostih, ki bi lahko povzročile telesne poškodbe. Signalna beseda (**NEVARNOST**, **OPOZORILO** ali **POZOR**) se uporablja za opozarjanje na verjetnost in potencialno resnost telesne poškodbe. Poleg tega se za označevanje vrste tveganja uporablja tudi simbol za tveganje.

NEVARNOST opozarja na nevarnost, **ki bo**, če se ji ne izognemo, povzročila smrt ali težko poškodbo.

OPOZORILO opozarja na nevarnost, **ki bi lahko**, če se ji ne izognemo, povzročila smrt ali težke poškodbe.

POZOR nakazuje tveganje, **ki lahko** v primeru, če se mu ne izognemo, povzroči manjšo ali srednje resno poškodbo.

OPOMBA označuje informacije, ki veljajo za pomembne, vendar niso povezane z nevarnostjo.

Simboli za nevarnost in njihov pomen

	Varnostni podatki o nevarnostih, ki lahko povzročijo telesne poškodbe.		Pred uporabo ali servisiranjem naprave preberite priročnik za uporabnika in se seznanite s celotno vsebino.
	Nevarnost požara		Tveganje eksplozije
	Nevarnost električnega udara		Tveganje izpusta strupenih plinov
	Tveganje zaradi vroče površine		Nevarnost povratnega sunka

	Nevarnost amputacije – gibljivi deli		Raven goriva – največja Ne dolijte prevelike količine
--	--------------------------------------	--	--

Varnostna sporočila



OPOZORILO

Motorji podjetja Briggs & Stratton® niso zasnovani in namenjeni za pogon: kartov za prosti čas; gokartov; otroških, rekreativnih ali športnih terenskih vozil (ATV); motornih koles; vozil na zračno blazino; zrakoplovnih izdelkov; ali vozil, uporabljenih na tekmovanjih, ki jih ni odobrilo podjetje Briggs & Stratton. Za informacije o izdelkih za tekmovalno dirkanje si oglejte www.briggsracing.com. Za uporabo večnamenskih vozil in štirikolesnikov s sopotnikovim sedežem vzporedno z voznikovim (side-by-side) se obrnite na center podjetja Briggs & Stratton za svetovanje glede uporabe moči (1-866-927-3349). Nepravilna uporaba motorja lahko povzroči smrt ali hude poškodbe.

Informacije o recikliranju



Reciklirajte vse zaboje, škatle, izrabljeno olje in akumulatorje, kot določajo državni predpisi.

Deli in upravljalni elementi Upravljalni vzvodi motorja

Primerjajte oblačke na slikah 1 in 2 na upravljalnih elementih motorja na spodnjem seznamu:

- Identifikacijske številke motorja **Model – Tip – Koda**
- Vžigalna svečka
- Čistilnik zraka
- Merilna palica
- Čep za izpust olja
- Pokrov ohišja ventilatorja
- Oljni filter
- Električni zaganjalnik
- Uplinjač
- Filter goriva (če je nameščen)
- Črpalka za gorivo (če je nameščena)
- Nastavek za hiter izpust olja (če je nameščen)
- Hladilnik olja (če je nameščen)
- Električna krmilna enota (če je nameščen)

Simboli za upravljanje motorja in njihovi pomeni

	Vrtljaji motorja – VISOKI		Vrtljaji motorja – NIZKI
	Vrtljaji motorja – ZAUSTAVITEV		VKLOP – IZKLOP
	Zagon motorja Loputa za hladen zagon ZAPRTA		Zagon motorja Loputa za hladen zagon ODPRTA
	Pokrovček za gorivo Zaporni ventil za gorivo ODPRT		Zaporni ventil za gorivo ZAPRT

Delovanje



OPOZORILO

Hlapi goriva so vnetljivi in eksplozivni. Ogenj ali eksplozija lahko povzročita opekline ali smrt.

Če vohate plin

- Ne zaganjajte motorja.
- Ne vkaplajte električnih stikal.
- V bližini ne uporabljajte telefona.
- Zapustite območje.
- Pokličite gasilce.

Ko uporabljate stroj

- Motorja ali stroja ne nagibajte pod kotom, ki bi povzročil razlitje goriva.

Ko prestavljate stroj

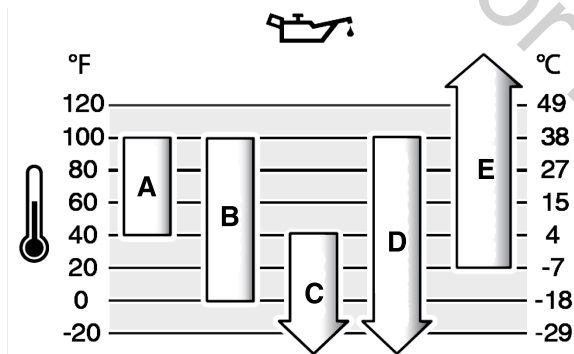
- Prepričajte se, da je rezervoar za gorivo PRAZEN oziroma da je zaporni ventil za gorivo, če je nameščen, v ZAPRTEM položaju.

Priporočila za olje

Količina olja: Glejte poglavje **Specifikacije**.

Za najboljšo učinkovitost priporočamo uporabo garancijsko potrjenih olj podjetja Briggs & Stratton®. Druga visokokakovostna detergentna olja so dovoljena, če so razvrščena kot olja razredov SF, SG, SH, SJ ali višje. Ne uporabljajte posebnih dodatkov.

S pomočjo diagrama izberite najboljšo viskoznost za pričakovani temperaturni razpon na prostem. Motorji, ki so nameščeni v večini zunanjih strojev, dobro delujejo s sintetičnim oljem 5W-30. Strojem, ki delujejo pri visokih temperaturah, najboljšo zaščito zagotavlja sintetično olje Vanguard® 15W-50.



A	SAE 30 – Pri temperaturah pod 40 °F (4 °C) bo uporaba olja SAE 30 povzročila težji zagon.
B	10W-30 – Nad 80 °F (27 °C) lahko uporaba olja 10W-30 povzroči povečano porabo olja. Raven olja preverjajte pogosto.
C	5W-30
D	Sintetično olje 5W-30
E	Sintetično olje Vanguard® 15W-50

Preverite raven olja

Predn preverite ali dolijete olje

- Motor mora biti v vodoravnem položaju.
- Očistite smeti na površini okoli odprtine za dolivanje olja.
- Za količino olja si oglejte poglavje **Specifikacije**.

OPOMBA

Podjetje Briggs & Stratton je motor dobavilo brez olja. Proizvajalci ali prodajalci opreme so morda v motor dolili olje. Pred prvim zagonom motorja se prepričajte, da je olje na ustreznih ravni. Dolijte olje, kot je navedeno v navodilih v tem priložniku. Če zaženete motor brez olja, se ta poškoduje in ga ni mogoče popraviti v okviru garancije.

1. Odstranite merilno palico (A, slika 3) in jo očistite s krpo.
2. Vstavite in privijte merilno palico (A, slika 3).
3. Izvlecite merilno palico in preverite raven olja. Prepričajte se, da raven olja dosega vrh oznake POLNO (B, slika 3) na merilni palici.
4. Če je olja pre malo, ga počasi nalivajte v odprtino za dolivanje olja (C, slika 3). Ne dolijte preveč olja.
5. Počakajte eno minuto in ponovno preverite raven olja. Prepričajte se, da je raven olja ustrezen.

6. Vstavite in privijte merilno palico (A, slika 3).

Sistem za nadzor prenizke ravni olja (če je nameščen)

Na nekaterih motorjih je nameščeno tipalo za nizko raven olja. Če je raven olja nizka, tipalo prikaže opozorilno lučko ali ustavi motor. Ustavite motor in izvedite korake, preden zaženete motor.

- Motor mora biti v vodoravnem položaju.
- Preverite olje. Glejte poglavje **Preverjanje ravni olja**.
- Če je raven olja nizka, dodajte ustrezno količino olja. Zaženite motor in se prepričajte, da se opozorilna lučka (če je nameščena) ne prižge.
- Če opozorilna lučka sveti in raven olja ni nizka, ne zaženite motorja. Za odpravo težave z oljem se obrnite na pooblaščenega serviserja podjetja Briggs & Stratton.

Priporočila glede goriva

Gorivo mora izpolnjevati te zahteve:

- Čist, svež neosvinčen bencin.
- Uporabljajte najmanj 87-oktanski bencin (87 AKI (91 RON)). Navodila za uporabo na visoki nadmorski višini si oglejte spodaj.
- Dovoljen je bencin z največ 10 % etanola (gazohola).

OPOMBA

Ne uporabljajte neodobrenih vrst bencina, kot sta na primer E15 in E85. Ne mešajte olja v bencin oziroma ne predelajte motorja tako, da bi deloval z drugimi gorivi. Uporaba neodobrenih goriv lahko povzroči poškodbe delov motorja, kar ni mogoče popraviti v okviru garancije.

Za zaščito sistema za gorivo pred smolnatimi usedlinami in korozijo gorivu primešajte stabilizator goriva brez vsebnosti alkohola in etanolno raztopino. Glejte poglavje **Shranjevanje**. Niso vsa goriva enaka. Če pri zaganjanju ali delovanju pride do težav, zamenjajte dobavitelja oziroma znamko goriva. Motor je certificiran za delovanje z bencinom. Sistem za nadzor emisij za karburirane motorje je EM (Spremembe motorja). Sistemi za nadzor emisij z elektronskim vbrizgavanjem goriva so ECM (nadzorni modul motorja), MFI (vbrizgavanje skozi več odprtin), TBI (vbrizgavanje skozi ohlajše dušilne lopute) in če je vgrajen, O2S (Senzor kisika).

Visoka nadmorska višina

Na nadmorski višini nad 1524 metrov (5000 čevljev) je dovoljen najmanj 85-oktanski/85 AKI (89 RON) bencin.

Pri motorjih z uplinjačem je treba izvesti prilagoditev za visoke nadmorske višine, da bi ohranili ustrezno učinkovitost delovanja. Delovanje brez teh nastavitvev povzroči zmanjšanje učinkovitosti, povečano porabo goriva in povečane emisije. Za informacije o prilagoditvi za visoke nadmorske višine se obrnite na pooblaščenega prodajalca Briggs & Stratton. Motorja s prilagoditvijo za visoko nadmorsko višino ni priporočljivo uporabljati pri nadmorski višini pod 2500 čevljev (762 metrov).

Pri motorjih z elektronskim vbrizgavanjem goriva (EFI) predelava za uporabo na visoki nadmorski višini ni potrebna.

Dolivanje goriva



OPOZORILO

Gorivo in njegovi hlapi so vnetljivi in eksplozivni. Ogenj ali eksplozija lahko povzročita opekline ali smrt.

Ko dolivate gorivo

- Ustavite motor. Preden odstranite pokrovček rezervoarja za gorivo, počakajte vsaj dve (2) minuti, da se prepričate, da je motor hladen.
- Rezervoar za gorivo polnite na prostem ali v prostoru, ki ima dober pretok zraka.
- Ne dolijte veliko goriva v rezervoar za gorivo. Zaradi širjenja goriva napolnite le do spodnjega roba vratu rezervoarja za gorivo.
- Gorivo hranite proč od iskrenja, odprtega plamena, kontrolnih lučk, toplote in drugih vnetljivih virov.
- Pogosto pregledujte, ali so vodi za gorivo, rezervoar za gorivo, pokrovček rezervoarja za gorivo in povezave razpokane oziroma ali puščajo. Poškodovane dele zamenjajte.
- Če se gorivo razlije, počakajte, da se posuši, preden zaženete motor.

1. Očistite umazanijo in smeti na površini okoli pokrova rezervoarja. Odstranite pokrovček rezervoarja za gorivo.
2. Rezervoar za gorivo (A, slika 4) napolnite z gorivom. Napolnite ga le do spodnjega roba vratu rezervoarja za gorivo (B), ker se gorivo širi.
3. Namestite pokrovček rezervoarja za gorivo.

Zagon motorja



OPOZORILO

NEVARNOST ZARADI STRUPENIH PLINOV. Izpuh motorja vsebuje ogljikov monoksid, strupen plin, ki vas lahko ubije v nekaj minutah. Čeprav ne zaznate vonja izpušnih plinov, ste lahko kljub temu izpostavljeni nevarnemu ogljikovemu monoksidu. Če vam je med uporabo tega izdelka slabo oziroma začutite omotico ali slabotnost, pojdite TAKOJ na svež zrak. Poiščite zdravniško pomoč. Morda ste se zastrupili z ogljikovim monoksidom.

- Ogljikov monoksid se lahko nakopiči v zaprtih prostorih. Da zmanjšate nevarnost kopičenja ogljikovega monoksida, ta izdelek uporabljajte LE zunaj in daleč stran od oken, vrat ali prezračevalnih odprtín.
- Namestite baterijske alarme za ogljikov monoksid ali alarme ogljikovega monoksida za vtičnico z baterijo v rezervi, kot je določeno v navodilih proizvajalca. Dimni alarmi ne morejo zaznati ogljikovega monoksida.
- Izdelka NE zaganjajte doma, v garažah, kletah, kletih z nizkim stropom, utah ali drugih zaprtih prostorih, četudi jih prezračujete z ventilatorji ali z odpiranjem oken in vrat. Po uporabi tega izdelka se lahko ogljikov monoksid hitro nakopiči v teh prostorih ter ostane tam še več ur.
- Ta izdelek VEDNO postavite tako, da bo veter pihal stran od njega, izpuh motorja pa naj bo obrnjen stran od mest, kjer se nahajajo ljudje.



OPOZORILO

Gorivo in njegovi hlapi so vnetljivi in eksplozivni. Ogenj ali eksplozija lahko povzročita opekline ali smrt.

Ko zaženete stroj

- Prepričajte se, da so vžigalna svečka, dušilnik zvoka, pokrovček rezervoarja za gorivo in čistilnik zraka (če je vključen) ustrezno nameščeni.
- Motorja ne poskušajte vžigati, ko je vžigalna svečka odstranjena.
- Če je motor zalit, nastavite loputo za hladni zagon (če je nameščen) v položaj ODPRTO ali ZAŽENI. Dušilno loputo (če je nameščena) prestavite v položaj HITRO in motor poganjajte, dokler se ne zažene.
- Če v okolici pušča zemeljski ali utekočinjeni naftni plin, motorja ne zaganjajte.
- Ker so hlapi vnetljivi, ne uporabljajte zagonskih tekočin pod tlakom.



OPOZORILO

Vrtljivi deli se lahko zapletejo v roke, noge, lase, oblačila ali dodatke ter povzročijo travmatično amputacijo ali rane.

- Stroj uporabljajte s pravilno nameščenimi ščitniki.
- Pazite, da vaše roke in noge ne pridejo blizu vrtečih se delov.
- Odstranite nakit in se prepričajte, da dolgi lasje niso v bližini katerih koli vrtljivih delov.
- Ne nosite ohlapnih oblačil ali predmetov, ki bi se lahko ujeli.

- Preverite motorno olje. Glejte poglavje **Preverjanje ravni olja**.
- Prepričajte se, da so upravljalni elementi pogona opreme naprave, če so nameščeni, izključeni.
- Če je zaporni ventil za gorivo (A, slika 5) nameščen, ga obrnite na položaj ODPRI.
- Regulator plina (B, slika 5), če je nameščen, premaknite v položaj za HITRO delovanje.
- Pri modelih z dušilno loputo** (C, slika 5), če je vgrajena, slednjo premaknite na položaj ZAPRI. **Pri modelih s kombinirano ročico za dušilno loputo/reguliranje plina** (G, slika 5), če je vgrajena, ročico premaknite na položaj DUŠILNA LOPUTA. **Pri modelih s sistemom ReadyStart®** nadaljujte na naslednji korak.

OPOMBA: Loputa za hladen zagon običajno ni potrebna, če zaganjate topel motor.

- Za zagon motorja stikalo na ključ (D, slika 5), če je vgrajeno, obrnite v položaj za VKLOP/ZAGON ali pritisnite gumb (E).
- Ko se motor ogreje, dušilno loputo (C, slika 5) obrnite na položaj ODPRI.

Zaustavite motor



OPOZORILO

Gorivo in njegovi hlapi so vnetljivi in eksplozivni. Ogenj ali eksplozija lahko povzročita opekline ali smrt.

- Za zaustavitve motorja ne dušite uplinjača (če obstaja).

- Ko je regulator plina v položaju za POČASNO delovanje, obrnite stikalo za električni zagon (D, slika 6) če je vgrajeno, v položaj za IZKLOP.

- Odstranite ključ in ga shranite na varno mesto.
- Po zaustavitvi motorja obrnite zaporni ventil za gorivo (A, slika 6), če je nameščen, v položaj ZAPRTO.

Vzdrževanje

Informacije o vzdrževanju



OPOZORILO

Gorivo in njegovi hlapi so vnetljivi in eksplozivni. Ogenj ali eksplozija lahko povzročita opekline ali smrt.

Če je treba med vzdrževanjem nagniti enoto, se prepričajte, da je rezervoar za gorivo, če je nameščen na motor, prazen in da je stran z vžigalno svečko zgoraj. Če rezervoar za gorivo ni prazen, lahko pride do iztekanja, kar lahko povzroči požar ali eksplozijo. Če je motor nagnjen v drugo smer, se zaradi onesnaženja zračnega filtra ali vžigalne svečke z oljem ali gorivom ne bo zlahka zagnal.



OPOZORILO

Nenamerno iskreje lahko povzročijo električni udar, požar ali eksplozijo in lahko povzročijo zapletanje, travmatično amputacijo ali raztrganine.

Pred izvedbo nastavitvev ali popravil:

- Odklopite vse kable vžigalnih svečk in jih hranite stran od vžigalnih svečk.
- Kabel akumulatorja odklopite z negativnega priključka akumulatorja (samo pri motorjih z električnim zagonom).
- Uporabljajte le ustrezno orodje.

Ko preverjate iskreje:

- Uporabljajte odobreno napravo za preizkušanje vžigalne svečke.
- Iskrenja ne preverjajte, kadar so vžigalne svečke odstranjene.



OPOZORILO

Nadomestni deli morajo biti enaki in nameščeni v enakem položaju kot prvotni deli. Drugi deli lahko povzročijo škodo ali telesne poškodbe.

OPOMBA

Za pravilno delovanje tega izdelka morajo biti vsi njegovi sestavni deli pravilno nameščeni.

Za vzdrževanje in servisiranje motorja in njegovih delov se obrnite na pooblaščenega serviserja družbe Briggs & Stratton.

Pregled nadzora emisij

Za vzdrževanje, zamenjavo ali popravilo naprav in sistemov za nadzor emisij se obrnite na kvalificiran servis za popravilo terenskih motorjev oziroma na usposobljenega serviserja. Za »brezplačno«
servisiranje naprave za nadzor emisij mora delo opraviti tovarniško pooblaščen prodajalec. Glejte izjave o nadzoru emisij.

Razpored vzdrževanja

Po prvih 5 urah
<ul style="list-style-type: none">Zamenjajte motorno olje¹.
Interval 8 ur ali enkrat dnevno
<ul style="list-style-type: none">Preverite raven motornega olja.Očistite območje okrog dušilca zvoka in upravljalnih elementov.Očistite mrežico dovoda zraka.
Interval 25 ur ali enkrat letno
<ul style="list-style-type: none">Očistite zračni filter².Očistite predfiltre².
Interval 50 ur ali enkrat letno
<ul style="list-style-type: none">Zamenjajte motorno olje³.Menjajte oljni filter (če je nameščen)³.Servisirajte izpušni sistem.
Interval 100 ur ali enkrat letno
<ul style="list-style-type: none">Zamenjajte motorno olje⁴.Menjajte oljni filter (če je nameščen)⁴.
letno

- Zamenjajte vžigalno svečko.
- Zamenjajte zračni filter.
- Zamenjajte predfilter.
- Zamenjajte filter za gorivo.
- Servisirajte sistem za zračno hlajenje¹.
- Preverite razmik ventila⁵.

¹ Samo motorji brez oljnega filtra.

² V prašnih razmerah ali kadar je v zraku veliko delcev čistite pogosteje.

³ Motorji brez oljnega filtra ali s standardnim črnim oljnim filtrom. Za številko dela glejte poglavje *Specifikacije*.

⁴ Motorji z učinkovitim rumenim ali oranžnim oljnim filtrom. (Glejte stran *Specifikacije* za številko dela).

⁵ Ni potrebno, če ne opazite težav z delovanjem motorja.

Sistem elektronskega vbrizgavanja goriva

Sistem elektronskega vbrizgavanja goriva nadzoruje temperaturo motorja, hitrost motorja in napetost akumulatorja za uravnavanje dušilne lopute med zagonom in ogrevanjem motorja. Sistem nima možnosti prilagajanja. Če pride do težav pri zagonu ali delovanju, se posvetujte s pooblaščenim serviserjem družbe Briggs & Stratton.

OPOMBA Upoštevati morate ta pravila, sicer se lahko sistem za elektronsko vbrizgavanje goriva poškoduje.

- Nikoli NE zaganjajte motorja, če so kabli akumulatorja slabo pritrjeni.
- Preden motor povežete z zaganjalnimi kabli ali izklopite/ponovno priključite akumulatorske kable, stikalo za vžig obrnite na položaj IZKLJUČI. Med polnjenjem akumulatorja mora biti stikalo za vžig obrnjeno na položaj IZKLJUČI.
- Pri odklapanju akumulatorskih kablov z akumulatorja najprej odklopite negativni (-) akumulatorski kabel, nato pa še pozitivnega (+). Pri priklapljanju akumulatorskih kablov na akumulator najprej priključite pozitivni (+) akumulatorski kabel, nato pa še negativnega (-).
- Za zagon motorja NE uporabljajte polnilnika akumulatorja.
- Med delovanjem motorja NE odklapljajte kablov akumulatorja.
- Elektronske krmilne enote NE pršite z vodo.

Uplinjač in vrtljaji motorja

Vrtljajev motorja ne nastavljajte z uplinjačem, spreminjanjem krmilne vzmeti, povezav ali drugih delov. Če so potrebne kakršnekoli nastavitve, se za servisno pomoč obrnite na pooblaščenega serviserja podjetja Briggs & Stratton.

OPOMBA

Proizvajalec opreme določi najvišje število vrtljajev motorja, nameščenega na stroj. Ne prekoračite tega števila vrtljajev. Če niste prepričani, kakšna je najvišja hitrost stroja oziroma na kakšne vrtljaje je motor tovarniško nastavljen za delovanje, se za pomoč obrnite na pooblaščenega serviserja podjetja Briggs & Stratton. Za varno in pravilno delovanje stroja mora vrtljaje motorja nastaviti le usposobljen serviser.

Servisiranje izpušnega in hladilnega sistema



OPOZORILO Med delovanjem se motor in dušilnik zvoka zelo segrejeta. Če se dotaknete vročega motorja, lahko pride do opeklin.

Gorljivi materiali, kot so listje, trava, dračje itd., se lahko vnamejo.

- Preden se dotaknete motorja ali dušilnika zvoka, ustavite motor in počakajte dve (2) minuti. Prepričajte se, da se je varno dotakniti motorja in dušilnika zvoka.
- Odstranite smeti iz dušilnika zvoka in motorja.

Po Oddelku 4442 kalifornijskega Zakona o javnih virih (Public Resource Code) je motorne naprave prepovedano uporabljati na vseh gozdnih, grmičastih in travnatih površinah, če nameščeni izpušni sistem ni opremljen z lovilec isker, ki je določen v oddelku 4442, in ustrezno vzdrževan v dobrem delovnem stanju. Druge države ali zvezne oblasti imajo lahko podobne zakone. Glejte zvezni predpis 36 CFR, oddelek 261.52. Obrnite se na proizvajalca, prodajalca ali trgovca originalne opreme, da vam priskrbi originalni lovilec isker, zasnovan za izpušni sistem, ki je nameščen na tem motorju.

Ta motor ima zračno hlajenje. Nečistoče ali neželeni material lahko preprečijo pretok zraka in povzročijo pregrevanje motorja. zaradi tega pride do nezadostne zmogljivosti in krajše življenjske dobe motorja. Na hladilnih rebrih valja se lahko nabere neželen material, ki se brez delne razstavitve motorja ne da odstraniti. Zagotovite, da bo sistem za zračno hlajenje pregledal in očistil pooblaščen serviser družbe Briggs & Stratton. Glejte poglavje *Načrt vzdrževanja*.

1. Prepričajte se, da v bližini dušilnika zvoka ali za njim ni vnetljivih materialov.

2. Za odstranitev neželenega materiala s pokrova ohišja ventilatorja, dušilnika zvoka in valja uporabite krtačo ali suho krpo. Za čiščenje motorja NE uporabljajte vode.
3. Prepričajte se, da so povezave, vzmeti in upravljalni elementi čisti.
4. Preglejte, ali so na dušilniku zvoka razpoke, korozija ali druge poškodbe.
5. Odstranite deflektor ali lovilec isker, če je nameščen, in se prepričajte, da ni poškodb ali nakopičenosti ogljika. Prepričajte se, da pred uporabo opreme očistite ali namestite nadomestne dele.
6. Če so nameščena, poskrbite, da so rebra hladilnika olja čista.

Servisiranje vžigalnih svečk

Preverite razmik (A, slika 7) z merilnim lističem (B). Po potrebi nastavite razmik med elektrodama vžigalne svečke. Vžigalno svečko namestite in privijte s priporočenim navorom. Za razmik ali navor glejte poglavje *Specifikacije*.

Menjava motornega olja



OPOZORILO Gorivo in njegovi hlapi so vnetljivi in eksplozivni. Ogenj ali eksplozija lahko povzročita opekline ali smrt.

Med delovanjem se motor in dušilnik zvoka zelo segrejeta. Če se dotaknete vročega motorja, lahko pride do opeklin.

- Če olje praznite skozi cev za dolivanje olja na vrhu, mora biti rezervoar za gorivo prazen. Če ni prazen, lahko pride do iztekanja goriva, kar lahko povzroči požar ali eksplozijo.
- Preden se dotaknete motorja ali dušilnika zvoka, ustavite motor in počakajte dve (2) minuti. Prepričajte se, da se je varno dotakniti motorja in dušilnika zvoka.

Uporabljeno olje je nevaren odpadni izdelek in ga je treba zavreči na pravilen način. Ne odstranjujte ga skupaj z gospodinjstvi odpadki. Za varno odstranjevanje ali recikliranje se obrnite na lokalne organe, servisni center ali prodajalca.

Odstranjevanje olja

1. Ob UGASNJENEM, a še vedno toplem motorju, odklopite kabel vžigalne svečke (D, slika 8) in ga hranite proč od vžigalnih svečk (E).
2. Izvlecite merilno palico (A, slika 9).

Čep za izpust olja, če je nameščen

1. Odstranite čep za izpust olja (F, slika 10). Olje izpusite v odobreno posodo.

OPOMBA: Na motor lahko namestite čepa za izpust olja (G, slika 10).

2. Po izpustu olja namestite in privijte čep za izpust olja (F, slika 10).

Nastavek za hiter izpust olja, če je nameščen

1. S stranskega dela motorja snemite cev za hiter izpust olja (H, slika 11).
2. Obrnite in odstranite pokrovček odprtine za izpust olja (I, slika 11). Nastavek za hiter izpust olja (H) previdno spustite v odobreno posodo (J).
3. Po izpustu olja namestite pokrovček za hiter izpust olja (I, slika 11). Na stranski del motorja pritrdite cev za hiter izpust olja (H).

Dolivanje olja

- Motor mora biti v vodoravnem položaju.
- Očistite umazanijo na površini okoli odprtine za dolivanje olja.
- Za količino olja si oglejte poglavje *Specifikacije*.

1. Izvlecite merilno palico (A, slika 3). S čisto krpo odstranite olje z merilne palice.
2. Počasi nalijte strojno olje v odprtino za dolivanje olja (C, slika 3). **Odprtina za dolivanje olja motorja ne napolnite preveč.** Počakajte eno minuto in ponovno preverite raven olja.

OPOMBA: Olja ne dolivajte skozi nastavek za hiter izpust olja, če je nameščen.

3. Vstavite in privijte merilno palico (A, slika 3).
4. Izvlecite merilno palico in preverite raven olja. Olje mora segati do oznake full (B, slika 3) na merilni palici.
5. Vstavite in privijte merilno palico (A, slika 3).
6. Priključite kabel(ble) vžigalne svečke na vžigalno(e) svečk(e). Oglejte si poglavje *Odstranjevanje olja*.

Zamenjava oljnega filtra

1. Olje izpusite iz motorja. Glejte poglavje *Odstranjevanje olja*.
2. Odstranite oljni filter (H, slika 12) in ga pravilno zavrzite.
3. Preden namestite nov oljni filter, rahlo namažite tesnilo oljnega filtra s čistim oljem.
4. Oljni filter privijajte ročno, da pride tesnilo v stik z adapterjem filtra, nato oljni filter zategnite s 1/2 do 3/4 obrata.

- Dolijte olje. Glejte poglavje **Dolivanje olja**.
- Motor zaženite in pustite teči. Ko je motor topel, preverite, ali olje izteka.
- Ustavite motor. Prepričajte se, da raven olja dosega vrh oznake polno na merilni palici. Glejte poglavje **Dolivanje olja**.

Servisiranje zračnega filtra



OPOZORILO

Hlapi goriva so vnetljivi in eksplozivni. Ogenj ali eksplozija lahko povzročita opekline ali smrt.

- Motorja ne zaganjajte oziroma ga ne uporabljajte, kadar je sklop čistilnika zraka (če obstaja) ali zračni filter (če obstaja) odstranjen.

OPOMBA

Za čiščenje filtra ne uporabljajte zraka pod tlakom ali topil. Zrak pod tlakom lahko poškoduje filter, topila pa ga raztopijo.

Servisne zahteve si oglejte v poglavju **Razpored vzdrževanja**.

Različni modeli uporabljajo penasti ali papirnati filter. Nekateri modeli imajo lahko tudi izbirni predfilter, ki ga je mogoče očistiti in ponovno uporabiti. Primerjajte ilustracije v tem priročniku z vrsto, nameščeno na vaš motor, in servisirajte po napotkih.

Papirnati zračni filter (s predfiltrom)

- Sprostite spojna elementa (A, slika 13).
- Odstranite pokrov zračnega filtra (B, slika 13).
- Odstranite filter (C, slika 13) in predfilter (D), če je nameščen.
- Neželeni material zrahljajte tako, da z zračnim filtrom rahlo potolčete ob trdo površino. Če je filter prekomerno umazan, ga zamenjajte z novim.
- Predfilter (D, slika 13), če je nameščen, očistite s tekočim detergentom in vodo. Počakajte, da se predfilter v celoti posuši. Predfilter **NE** namastite.
- Suh predfilter (D, slika 13), če je nameščen, in filter (C) namestite na podlago zračnega filtra (E).
- Namestite pokrov zračnega filtra (B, slika 13) in ga pritrdite s spojnim vijakoma (A). Pritrdilna elementa morata biti dobro privita.

Sestav zračnega filtra (kartuša s predfiltrom)

- Sprostite spojna vijaka (A, slika 14, 15).
- Odstranite pokrov zračnega filtra (B, slika 14, 15).
- Za odstranitev filtra (C, sliki 14, 15) dvignite njegov konec.
- Neželeni material zrahljajte tako, da z zračnim filtrom rahlo potolčete ob trdo površino. Če je filter prekomerno umazan, ga zamenjajte z novim.
- Odstranite predfilter (D, slika 14, 15) s filtra (C).
- Predfilter (D, slika 14, 15) očistite s tekočim detergentom in vodo. Počakajte, da se predfilter v celoti posuši. Predfilter **NE** namastite.
- Suh predfilter (D, slika 14, 15), če je nameščen, namestite na filter.
- Namestite filter (C, slika 14, 15) in predfilter (D), če obstaja, na podlago filtra (E) in potiskajte navzdol, dokler ne zaslišite klika.
- Namestite pokrov zračnega filtra (B, slika 14, 15) in ga pritrdite s spojnim vijakoma (A). Pritrdilna elementa morata biti dobro privita.

Servisiranje sistema za gorivo



OPOZORILO

Gorivo in njegovi hlapi so vnetljivi in eksplozivni. Ogenj ali eksplozija lahko povzročita opekline ali smrt.

- Gorivo hranite proč od iskrenja, odprtega plamena, kontrolnih lučk, toplote in drugih vnetljivih virov.
- Pogosto pregledujte, ali so vodi za gorivo, rezervoar za gorivo, pokrovček rezervoarja za gorivo in povezave razpokane oziroma ali puščajo. Poškodovane dele zamenjajte.
- Če se gorivo razlije, počakajte, da se posuši, preden zaženete motor.

Filter goriva, če je nameščen

- Pred zamenjavo filtra za gorivo (A, slika 16) izpraznite rezervoar za gorivo ali zaprite zaporni ventil za gorivo. Če rezervoar za gorivo ni izprazen, lahko gorivo izteče in povzroči požar ali eksplozijo.
- S kleščami stisnite jezičke (B, slika 16) na objemkah (C). Objemki odmaknite od filtra za gorivo (A).
- Obrnite cevi za gorivo (D, slika 16) in jih povlecite s filtra za gorivo.
- Preverite morebitne razpoke ali luknjice na vodih za gorivo (D, slika 16). Cevi za gorivo po potrebi zamenjajte.
- Zamenjajte filter za gorivo (A, slika 16).

- Priklopite cevi za gorivo (D, slika 16) z objemkami (C).

Shranjevanje Sistem za gorivo

Glejte sliko: 17.



OPOZORILO

Gorivo in njegovi hlapi so vnetljivi in eksplozivni. Ogenj ali eksplozija lahko povzročita opekline ali smrt.

Hramba goriva

- Ker lahko kontrolne lučke ali drugi viri vžiga povzročijo eksplozije, shranjujte gorivo stran od peči, štedilnikov, grelnikov za vodo ali drugih naprav, ki imajo kontrolne lučke.

Motor naj bo v vodoravni legi (običajen položaj za delovanje). Rezervoar za gorivo (A, slika 17) napolnite z gorivom. Zaradi širjenja goriva ne napolnite čez rob vratu rezervoarja za gorivo (B).

Gorivo se lahko postara, kadar se hrani v posodi za shranjevanje več kot 30 dni. Priporoča se uporaba stabilizatorja goriva brez vsebnosti alkohola in etanolno raztopino v posodi za shranjevanje goriva, da se prepreči razpad goriva in ohrani njegova svežina.

Vsakič, ko napolnite posodo z gorivom, vanj dodajte stabilizator goriva brez vsebnosti alkohola skladno z navodili proizvajalca. Če bencinu v motorju ni bil dodan stabilizator goriva, ga morate izpustiti v odobreno posodo. Pustite motor teči, dokler mu ne zmanjka goriva.

Motorno olje

Ko je motor še topel, zamenjajte motorno olje. Glejte poglavje **Preverjanje in dolivanje motornega olja**.

Odpravljanje težav

Pomoč

Za pomoč se obrnite na trgovca ali obiščite **BRIGGSandSTRATTON.COM** ali pokličite **1-800-444-7774** (v ZDA).

Specifikacije in nadomestni deli

Specifikacije	Model:400000	Model: 440000
Gibna prostornina	40.03 kubični palci (656 cm ³)	44.18 kubični palci (724 cm ³)
Vrtina valja	2.970 palec (75,43 mm)	3.120 palec (79,24 mm)
Hod bata	2.890 palec (73,41 mm)	2.890 palci (73,41 mm)
Prostornina posode za olje	62 - 64 unče (1,8 - 1,9 l)	62 - 64 unče (1,8 - 1,9 l)
Razmik med elektrodama vžigalne svečke	.030 palec (.76 mm)	.030 palci (.76 mm)
Zatezni moment za vžigalno svečko	180 funt-palci (180 Nm)	180 funt-palci (20 Nm)
Zračna reža ohišja	.008 - .012 palci (.20 - .30 mm)	.008 - .012 palci (.20 - .30 mm)
Hod sesalnega ventila	.004 - .006 palci (.10 - .15 mm)	.004 - .006 palci (.10 - .15 mm)
Hod izpušnega ventila	.004 - .006 palci (.10 - .15 mm)	.004 - .006 in (.10 - .15 mm)

Specifikacije	Model:490000
Gibna prostornina	49.42 kubični palci (810 cm ³)
Vrtina valja	3.300 palec (83,81 mm)
Hod bata	2.890 palec (73,41 mm)
Prostornina posode za olje	66 - 68 unče (1,9 - 2,0 l)
Razmik med elektrodama vžigalne svečke	.030 palec (.76 mm)
Zatezni moment za vžigalno svečko	180 funt-palci (180 Nm)
Zračna reža ohišja	.008 - .012 palec (.20 - .30 mm)
Hod sesalnega ventila	.004 - .006 palec (.10 - .15 mm)
Hod izpušnega ventila	.004 - .006 palci (.10 - .15 mm)

Nadomestni deli

Za nakup nadomestnih delov Briggs & Stratton poiščite pooblaščenega serviserja na BRIGGSandSTRATTON.COM. Potrebovali boste identifikacijsko številko (model, tip, oprema). Če želite poiskati identifikacijsko številko motorja, glejte poglavje **Deli in upravljalni elementi**.

Nazivna moč

Nazivna vrednost bruto moči motorja posameznih modelov bencinskih motorjev je označena v skladu s standardom SAE (Zveza inženirjev v avtomobilski industriji) J1940 Postopek določanja nazivnega navora in moči majhnih motorjev, njena nazivna vrednost pa je določena skladno s SAE J1995. Vrednosti navora se računajo pri 2600 vrt./min za motorje z oznako »rpm«; za vse ostale motorje se vrednosti računajo pri 3060 vrt./min. Vrednosti konjskih moči se računajo pri 3600 vrt./min. Krivulje bruto moči si lahko ogledate na www.BRIGGSandSTRATTON.COM. Vrednosti neto moči so izmerjene z nameščenim izpušnim sistemom in sistemom čiščenja zraka, medtem ko so vrednosti bruto moči pridobljene brez teh priključkov. Dejanska bruto moč motorja bo višja od neto moči motorja in je med drugim odvisna od dejanskih delovnih razmer okolja in razlik med posameznimi motorji. Glede na široko ponudbo izdelkov, v katere so ti motorji nameščeni, bencinski motor morda ne bo dosegal ocenjene skupne moči, če se uporablja v določenem delu opreme. Razlika je posledica vrste vplivov, ki med drugim vključujejo različne sestavne dele motorja (zračni filter, izpuh, polnjenje, hlajenje, uplinjač, črpalka za gorivo itd.), omejitve uporabe, delovne razmere okolja (temperatura, vlaga, nadmorska višina) in razlike med posameznimi motorji. Zaradi omejitev v proizvodnji in zmogljivosti lahko podjetje Briggs & Stratton motor te serije zamenja z motorjem z višjo nazivno močjo.

Garancija

Garancija za motorje Briggs & Stratton®

V veljavi od avgusta 2022

Omejena garancija

Podjetje Briggs & Stratton jamči, da bo v spodaj navedenem garancijskem obdobju brez dodatnih stroškov po lastni presoji popravilo ali z novim oziroma obnovljenim delom zamenjalo kateri koli del, na katerem se je pojavila okvara zaradi materiala ali izdelave ali obojega. Stroške prevoza izdelka, ki je poslan v popravilo ali v zamenjavo pod to garancijo, mora nositi kupec. Ta garancija velja za obdobja in skladno s pogoji, kot je navedeno spodaj. Za servis v okviru garancije poiščite najbližjega pooblaščenega serviserja na zemljevidu našega orodja za iskanje prodajalcev na BRIGGSandSTRATTON.COM. Kupec mora stopiti v stik s pooblaščenim servisnim centrom in temu centru izdelek posredovati v pregled in testiranje.

Dругih izrecnih garancij ni. Nakazane garancije, vključno z garancijami tržnosti in primernosti za določen namen, so omejene na čas enega leta od nakupa oziroma do roka, ki je zakonsko določen. Vse druge nakazane garancije so izključene. Odgovornost za naključno ali posledično škodo je izključena v obsegu, ki ga dopušča zakon. Nekatere države ne dopuščajo omejitve trajanja nakazane garancije, nekatere pa ne dopuščajo izključevanja ali omejitve naključne ali posledične škode, tako da zgoraj navedena omejitev in izključitev morda za vas ne velja. Ta garancija vam zagotavlja določene zakonske pravice, lahko pa imate še druge pravice, ki se razlikujejo od države do države.

Standardni garancijski pogoji ^{1, 2}
Vanguard®; komercialna serija
Potrošniška uporaba – 36 mesecev
Komercialna uporaba – 36 mesecev
Serija XR
Potrošniška uporaba – 24 mesecev
Komercialna uporaba – 24 mesecev
Vsi drugi motorji z litoželezno pušo Dura-Bore™
Potrošniška uporaba – 24 mesecev
Komercialna uporaba – 12 mesecev
Vsi drugi motorji
Potrošniška uporaba – 24 mesecev
Komercialna uporaba – 3 mesece

¹ To so naši standardni garancijski pogoji, a občasno je lahko priloženo dodatno garancijsko kritje, ki ni bilo določeno v času objave. Za seznam trenutnih garancijskih pogojev za vaš motor pojdite na BRIGGSandSTRATTON.COM ali pa se obrnite na pooblaščen servisni center Briggs & Stratton.

² Garancija se ne daje za motorje na opremi, ki je priključena na generatorje primarne moči, namesto na napajanje iz električnega omrežja, pomožne generatorje (pomožne vire energije), ki se uporabljajo v komercialne namene, večnamenska vozila, katerih hitrost presega 25 mph, ali motorje, uporabljene na tekmovalnih dirkah oz. na komercialnih ali najetih stezah.

* V Avstraliji – Naši izdelki imajo garancije, ki jih ni možno izključiti po avstralski zakonodaji o varstvu potrošnikov. Upravičeni ste do menjave ali vračila denarja za veliko okvaro ali do odškodnine za kakršno koli drugo izgubo ali škodo, ki jo je mogoče razumno predvideti. Prav tako ste upravičeni do popravila ali menjave blaga, če to ni sprejemljive kakovosti, okvara pa ni velika. Za storitve garancije poiščite najbližji pooblaščen servisni center na zemljevidu naših servisnih centrov na BRIGGSandSTRATTON.COM oziroma pokličite 1300 274 447 ali pošljite e-pošto na salesenquiries@briggsandstratton.com.au oziroma pišite na Briggs & Stratton Australia Pty Ltd, 1 Moorebank Avenue, Moorebank, NSW, Avstralija, 2170.

Garancijsko obdobje prične teči ob datumu nakupa prvega maloprodajnega potrošnika ali gospodarskega končnega uporabnika in traja v časovnem obdobju, navedenem v tabeli zgoraj. »Potrošniška uporaba« pomeni osebno domačo rabo maloprodajnega potrošnika. »Komercialna uporaba« pomeni vsakršno drugačno uporabo, vključno z uporabo v komercialne, pridobitne ali posojilne namene. Če je motor enkrat uporabljen v komercialne namene, po tej garanciji spada v kategorijo motorjev za komercialno uporabo.

Za uveljavljanje garancije za izdelke znamke Briggs & Stratton registracija garancije ni potrebna. Shranite račun kot dokazilo o nakupu. Če v primeru, da potrebujete garancijske storitve, ne predložite dokazila o datumu prvotnega nakupa, se bo za določanje garancijske dobe uporabil datum proizvodnje izdelka.

O vaši garanciji

Ta omejena garancija krije samo napake v materialu in/ali okvare zaradi izdelave na motorju, ne pa zamenjave ali povračila za opremo, na katero je motor lahko nameščen. Rednega vzdrževanja, finih nastavitev, prilagoditev ali običajne obrabe ta garancija ne krije. Garancija ne velja tudi v primeru, če je bil motor predelan oziroma spremenjen ali če je bila serijska številka motorja uničena ali odstranjena. Ta garancija ne krije poškodb motorja ali težav pri delovanju, ki jih povzročijo:

1. uporaba delov, ki niso Briggs & Stratton
2. delovanje motorja z nezadostno količino mazivnega olja ali z oljem, ki je onesnaženo oziroma ima neustrezno viskoznost;
3. Uporaba onesnaženega ali starega goriva, bencina z več kot 10 odstotki etanola ali alternativnih goriv, kot sta petrolej ali zemeljski plin, v motorjih, ki jih podjetje Briggs & Stratton prvotno ni zasnovalo/izdelalo za delovanje s tovrstnimi gorivi;
4. Umazanija, ki je prišla v motor zaradi napačnega vzdrževanja zračnega filtra ali ponovnega sestavljanja;
5. udarec ob predmet z rezilom rotacijske vrtnice kosilnice, zrahljani ali nepravilno nameščeni adapterji rezila, rotorji ali druge povezane naprave gredi bloka motorja ali čezmerno napet klinasti jermen;
6. Uporaba delov ali sklopov, kot so sklopke, menjalniki, upravljalni vzvodi itd., ki jih ne dobavlja podjetje Briggs & Stratton;
7. pregrevanje zaradi trave, umazanje in ostankov ali gnezd glodavcev, ki zamašijo hladilna rebra ali predel vztrajnika, ali zaradi delovanja motorja pri neustreznem prezačevanju;
8. čezmerni treslaji zaradi prevelike hitrosti, razrahljane pritrditve motorja, razrahljanih ali neuravnoveženih rezil ali rotorjev ali neprimerne spajanja komponent opreme na gred bloka motorja;
9. napačna uporaba, pomanjkljivo redno vzdrževanje, neustrezen transport, ravnanje z motorjem, skladiščenje opreme ali neustrezna montaža motorja.

Garancijski servis je na voljo le pri pooblaščenih servisnih centrih podjetja Briggs & Stratton. Poiščite najbližji pooblaščen servisni center na zemljevidu našega orodja za iskanje prodajalcev na BRIGGSandSTRATTON.COM oziroma pokličite 1-800-444-7774 (v ZDA).

80114782 (Revizija A)

Genel Bilgiler



Bu el kitabı motorların yaratabileceği riskler ve tehlikeler ile bu tehlikelerden kaçınmak için yapmanız gerekenler hakkında sizi bilinçlendirmek amacıyla güvenlik bilgileri içermektedir. El kitabı aynı zamanda motorun doğru kullanımı ve motor bakımı hakkında bilgi de içermektedir. Bu talimatları okumanız, anlamanız ve uygulamanız önemlidir. **Bu el kitabını gelecekte de kullanmak üzere saklayın.**

NOT: Bu kullanım kılavuzundaki şekiller ve resimler yalnızca bilgi için verilmiştir ve sizin modelinizden farklı olabilir. Motorunuzun konfigürasyonuna uygun olan eden şekilleri uygulayın. Gerekliyse bir yetkili servis bayisi ile iletişime geçin.

Yedek parçalar için; satın alma tarihi, motor modeli, tip, trim ve motor seri numarasını kaydedin. Bu numaralar motorunuzun üzerinde yer almaktadır. **Özellikler ve Kumandalar** kısmına bakın.

Satın Alma Tarihi	
Motor Modeli - Tipi - Ayarı:	
Motor Seri Numarası	

Avrupa Ofisi İletişim Bilgileri

Avrupa emisyonları ile ilgili sorular için Avrupa ofisimiz ile şu adresten iletişime geçin:

Max-Born-Straße 2, 68519 Viernheim, Almanya.

Avrupa Birliği (AB) Kademe V (5): Karbon Dioksit (CO2) Değerleri

Briggs & Stratton AB Tip Onayı Sertifikalı motorların karbon dioksit değerlerini bulmak için BriggsandStratton.com adresindeki arama penceresine CO2 ögesini girin.

Operatör Güvenliği

Güvenlik İkaz Sembolü ve İşaret Sözcükleri

Güvenlik uyarı sembolü kişisel yaralanmaya yol açabilecek tehlikeler hakkındaki güvenlik bilgilerini belirtir. Yaralanmanın olasılığını ve olası ciddiyetini göstermek için bir işaret sözcüğü (**TEHLİKE**, **UYARI** veya **DİKKAT**) kullanılmıştır. Ek olarak, tehlikenin tipini temsil etmek için bir tehlike sembolü kullanılmıştır.

TEHLİKE eğer önlenmezse, ölüm veya ciddi yaralanmayla **sonuçlanacak** tehlikeyi gösterir.

UYARI eğer önlenmezse, ölüm veya ciddi yaralanmayla **sonuçlanabilecek** tehlikeyi gösterir.

DİKKAT eğer önlenmezse, hafif veya orta derecede yaralanmayla **sonuçlanabilecek** tehlikeyi gösterir.

DİKKAT Önemli olduğu kabul edilen ama tehlike ile ilgili olmayan bilgileri belirtir.

Tehlike Sembolleri ve Anlamları

Kişisel yaralanmaya neden olabilecek tehlikelere ilişkin güvenlik bilgileri.	Üniteyi çalıştırmadan veya bakım yapmadan önce Kullanım Kılavuzu'nu okuyun ve uyun.
Yangın Tehlikesi	Patlama Tehlikesi
Elektrik Çarpması Tehlikesi	Zehirli Duman Tehlikesi
Sıcak Yüzey Tehlikesi	Geri Tepme Tehlikesi
Uzun Kesilme Tehlikesi - Hareketli Parçalar	Yakıt Seviyesi - Maksimum Aşırı Doldurmayın

Güvenlik Mesajları



UYARI

Briggs & Stratton® Motorları fun-kart, go-kart gibi araçları; çocuklar için eğlence veya spor amaçlı arazi araçları (ATV'ler); motosikletler; hava yastıklı tekneler; hava taşıtı ürünleri veya Briggs & Stratton tarafından onaylanmamış yarışma etkinliklerinde kullanılan araçları çalıştırmak için tasarlanmamıştır ve bunlarda kullanılmamalıdır. Yarışma amaçlı ürünlerle ilgili bilgi için www.briggsracing.com internet sitemize bakınız. Ticari araçlar ve çok koltuklu arazi araçları için lütfen Briggs & Stratton Güç Uygulama Merkezine başvurun: 1-866-927-3349. Motorun yanlış kullanılması ağır yaralanma veya ölüm ile sonuçlanabilir.

Gerİ Dönüşürme Bilgileri

		Tüm kartonları, kutuları, kullanılmış yağı ve aküleri devlet yönetmelikleri tarafından belirtilen şekilde geri dönüştürün.
--	--	--

Özellikler ve Kumandalar

Motor Kontrol Sistemleri

Şekil 1 ve 2 dahilindeki işaret harflerini aşağıdaki listede bulunan motor kontrolleri ile karşılaştırın:

- Motor Künye Numaraları **Model - Tipi - Kodu**
- Buji
- Hava Temizleyici
- Gösterge Çubuğu
- Yağ Boşaltma Tapası
- Üfleme Yuvası Kapağı
- Yağ Filtresi
- Elektrikli Başlatıcı
- Karbüratör
- Yakıt Filtresi (takılıysa)
- Yakıt Pompası (eğer varsa)
- Hızlı Yağ Boşaltma (takılıysa)
- Yağ Soğutucu (takılıysa)
- Elektrik Kontrol Ünitesi (takılıysa)

Motor Kontrol Sembolleri ve Anlamları

Motor Hızı - HIZLI	Motor Hızı - YAVAŞ
Motor Hızı - DURDUR	AÇIK - KAPALI
Motoru Çalıştırma Jikle KAPALI	Motoru Çalıştırma Jikle AÇIK
Yakıt Kapağı Yakıt Kapatma AÇIK	Yakıt Kapatma KAPALI

Çalıştırma



UYARI Yakıt buharları yanıcıdır ve patlayıcıdır. Yangın veya patlama yanıklara veya ölüme yol açabilir.

Gaz kokusu aldığınız zaman

- Motoru çalıştırmayın.
- Elektrik düğmelerini açmayın.
- Yakında telefon kullanmayın.
- Bölgeyi tahliye edin.
- İtfaiyeyi arayın.

Donanımı kullanırken

- Motoru veya donanımı yakıtın dökülmesine neden olacak bir açığa eğmeyin.

Donanımın yerini değiştirirken

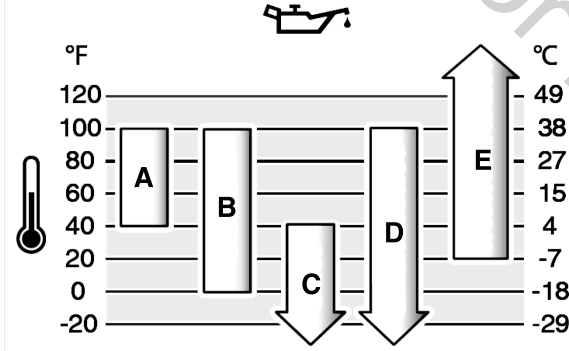
- Yakıt deposunun BOŞ olmasına veya varsa yakıt kapatma vanasının KAPALI durumda olmasına dikkat edin.

Yağ Tavsiyeleri

Yağ Kapasitesi: *Teknik Özellikler* bölümüne bakın.

En iyi performans için Briggs & Stratton® Garanti Onaylı yağlar kullanmanızı tavsiye ederiz. SF, SG, SH, SJ veya üzeri servis sınıflandırmasına sahip diğer yüksek kaliteli temizleyici yağlara da izin verilmektedir. Özel katkı maddeleri kullanmayın.

Beklenen dış sıcaklık aralığına en uygun viskoziteyi seçmek için çizelgeyi kullanın. Dış mekan motorlu ekipmanlarının çoğunluğundaki motorlar 5W-30 Sentetik yağ ile gayet iyi çalışır. Yüksek sıcaklıklarda çalıştırılan ekipman için, Vanguard® 15W-50 Sentetik yağ en iyi korumayı sağlar.



A	SAE 30 - 40°F (4°C) sıcaklığın altında SAE 30 kullanılırsa zor çalışacaktır.
B	10W-30 - 80°F (27°C) sıcaklığın üzerinde 10W-30 kullanılması normalden fazla yağ tüketilmesine neden olabilir. Yağ seviyesini sıklıkla kontrol edin.
C	5W-30
D	Sentetik 5W-30
E	Vanguard™ Sentetik 15W-50

Yağ Seviyesini kontrol edin

Yağı kontrol etmeden veya yağ eklemekten önce

- Motorun yatay olduğunu kontrol edin.
- Yağ doldurma yerini çöplerden temizleyin.
- Yağ kapasitesi için *Teknik Özellikler* bölümüne bakın.

DİKKAT

Bu motor Briggs & Stratton tarafından yağsız olarak gönderilmektedir. Ekipman üreticileri veya bayiler motora yağ eklemiş olabilir. Motoru ilk kez çalıştırmadan önce yağın doğru seviyede olduğunu kontrol edin. Bu kılavuzdaki talimatlar tarafından belirtilen şekilde yağ ekleyin. Motoru yağsız olarak başlatmanız halinde zarar görür ve motor garanti kapsamında tamir edilmez.

1. Yağ çubuğunu (A, Şekil 3) çıkarın ve bir bez ile temizleyin.
2. Yağ çubuğunu yerine takın ve sıkıştırın (A, Şekil 3).
3. Yağ çubuğunu çıkarın ve yağ seviyesini kontrol edin. Yağ seviyesinin yağ çubuğundaki dolu göstergesinin (B, Şekil 3) tepesinde olduğunu kontrol edin.
4. Yağ seviyesi düşükse, motor yağ kapağından yavaşça yağ ekleyin (C, Şekil 3). Çok fazla yağ eklemeyin.
5. Bir dakika bekleyin ve yağ seviyesini tekrar kontrol edin. Yağ seviyesinin doğru olmasına dikkat edin.

6. Yağ çubuğunu yerine takın ve sıkıştırın (A, Şekil 3).

Düşük Yağ Koruma Sistemi (varsa)

Bazı motorlara düşük yağ seviyesi sensörü takılmıştır. Yağ seviyesi düşükse, sensör bir uyarı ışığı gösterir veya motoru durdurur. Motoru durdurun ve motoru çalıştırmadan önce aşağıdaki adımları izleyin.

- Motorun yatay olduğundan emin olun.
- Yağı kontrol edin. **Yağ Seviyesinin Kontrolü** bölümüne bakın.
- Yağ seviyesi düşük ise doğru miktarda yağ ekleyin. Motoru çalıştırın ve uyarı ışığının (eğer varsa) yanmadığını kontrol edin.
- Yağ seviyesi düşük değil ise motoru çalıştırmayın. Yağ sorununun düzeltilmesi için Briggs & Stratton Yetkili Servis Bayisi ile görüşün.

Yakıt Tavsiyeleri

Yakıt aşağıdaki koşullara uygun olmalıdır:

- Temiz, yeni, kurşunsuz benzin.
- Minimum 87 oktan/87 AKI (91 RON). Yüksek irtifada kullanım, aşağıya bakın.
- %10'a kadar etanol içeren benzine (gazohol) izin vardır.

DİKKAT

E15 ve E85 gibi onaylanmamış benzin kullanmayın. Benzine yağ karıştırmayın veya motoru farklı yakıtlar ile çalışacak şekilde modifiye etmeyin. Onaylanmamış yakıtlar kullanmak motor bileşenlerine zarar verebilir ve bu hasarlar garanti kapsamında tamir edilmez.

Yakıt sistemini çapak ve korozyon oluşumundan korumak için, yakıtı alkolsüz yakıt stabilizatörü ve işlenmiş etanol karıştırın. **Saklama** bölümüne bakın. Bütün yakıtlar aynı değildir. Çalıştırma veya performans sorunları yaşanırsa, yakıt tedarikçilerini veya markaları değiştirin. Bu motor benzinele çalışmak üzere sertifikalandırılmıştır. Karbüratörlü motorların emisyon kontrol sistemi EM (Motor Modifikasyonları)'dır. Elektronik yakıt enjeksiyonlu motorların emisyon kontrol sistemleri ECM (Motor Kontrol Modülü), MPI (Çok Portlu Enjeksiyon), TBI (Gaz Kumandası Gövdesi Yakıt Enjeksiyonu) ve eğer teçhiz edilmişse O2S (Oksijen Sensörü)'dür.

Yüksek Rakım

5000 fit (1524 metre) üzerindeki rakımlarda minimum 85 oktan/85 AKI (89 RON) benzine izin vardır.

Karbüratörlü motorlarda performansı korumak için yüksek rakım ayarı gereklidir. Bu ayar yapılmadan çalıştırılması performansının düşmesine, yakıt tüketiminin artmasına ve emisyonların artmasına neden olur. Yüksek irtifa ayarı bilgileri için Yetkili bir Briggs & Stratton Servis Bayisine başvurun. 2500 fit (762 metre) altındaki rakımlarda motorun yüksek rakım ayarı ile kullanılması tavsiye edilmez.

Elektronik Yakıt Enjeksiyonlu (EFI) motorlar için yüksek rakım ayarlamasına gerek yoktur.

Yakıt Ekleyin



UYARI Yakıt ve buharları yanıcı ve patlayıcıdır. Yangın veya patlama yanıklara veya ölüme yol açabilir.

Yakıt eklerken

- Motoru durdurun. Yakıt kapağını çıkarmadan önce motorun soğuk olmasını sağlamak için en az iki (2) dakika bekleyin.
- Yakıt deposunu dış mekanda veya iyi hava akışı bulunan bir yerde doldurun.
- Depoya çok fazla yakıt koymayın. Yakıtın genleşmesi için yakıt deposu boyunun alt kısmının üstüne kadar doldurmayın.
- Yakıtı kıvılcımlardan, açık alevlerden, pilot ateşlerden, ısıdan ve diğer tutuşurma kaynaklarından uzak tutun.
- Yakıt hatlarında, yakıt deposunda, yakıt kapağında ve bağlantılarda sık şekilde çatlak veya sızıntı incelemesi yapın. Hasarlı parçaları değiştirin.
- Yakıt döküldüğü takdirde motoru çalıştırmadan önce kurumasını bekleyin.

1. Yakıt kapağı çevresindeki kiri ve çöpü temizleyin. Yakıt doldurma kapağını çıkarın.
2. Yakıt deposuna (A, Şekil 4) yakıt doldurun. Yakıt genleşeceği için yakıt deposu boyunun (B) alt kısmının üzerine kadar doldurmayın.
3. Yağ doldurma kapağını tekrar takın.

Motoru Çalıştırın



UYARI

ZEHİRLİ GAZ TEHLİKESİ. Motor egzozusuzi dakikalar içerisinde öldürebilecek zehirli bir gaz olan karbonmonoksit içerir. Egzoz gazlarının kokusunu almasanız bile tehlikeli karbonmonoksit gazına maruz kalabilirsiniz. Bu ürünü kullanırken rahatsızlık, baş dönmesi veya halsizlik hissetmeniz durumunda HEMEN temiz havaya çıkın. Doktora görünün. Karbonmonoksit zehirlenmesi yaşıyor olabilirsiniz.

- Kullanılan mekanlarda karbon monoksit gazı toplanabilir. Karbonmonoksit gazı riskini azaltmak için bu ürünü YALNIZCA dış mekanda ve pencerelerden, kapılardan ve hava deliklerinden uzakta çalıştırın.
- Üretici talimatlarına uygun şekilde pil ile çalışan karbonmonoksit alarmları kurun veya pil destekli karbon monoksit alarmları takın. Duman alarmları, karbonmonoksit gazını algılayamaz.
- Fan kullansanız ve havalandırma için kapıları ve pencereleri açsanız bile bu ürünü evlerde, garajlarda, bodrumlarda, döşeme altı boşluklarda, gölgeliklerde veya başka kapalı yerlerde ÇALIŞTIRMAYIN. Bu ürünü çalıştırdıktan sonra bu yerlerde hızla karbonmonoksit toplanabilir ve saatlerce kalabilir.
- Bu ürünü HER ZAMAN rüzgar altı yönde yerleştirin ve motor egzozunu kapalı alanlardan uzağa yönlendirin.



UYARI

Yakıt ve buharları yanıcı ve patlayıcıdır. Yangın veya patlama yanıklara veya ölüme yol açabilir.

Motoru çalıştırdığınız zaman

- Bujinin, susturucunun, yakıt kapağının ve hava temizleyicinin (donatılmış ise) doğru şekilde takılmış olmasına dikkat edin.
- Buji çıkarılmışken motoru çalıştırmayın.
- Motorun boğulması halinde jikle (donatılmış ise) AÇIK veya ÇALIŞTIR durumuna getirin. Gaz keleşini (donatılmış ise) HIZLI konumuna getirin ve motor çalışıncaya kadar marş basın.
- Çevrede doğalgaz veya LP sızıntısı olması halinde motoru çalıştırmayın.
- Buharları yanıcı olduğundan basınçlı marş sıvıları kullanmayın.



UYARI

Dönen parçalar elleri, ayakları, saç, giysileri veya aksesuarları yakalayabilir ve travmatik uzuv kesilmesine veya yaralanmasına yol açabilir.

- Donanımı muhafazalar doğru şekilde takılmış olarak çalıştırın.
- Ellerinizi ve ayaklarınızı döner parçalardan uzak tutun.
- Mücevherleri çıkarın ve uzun saçın dönen tüm parçalardan uzak kalmasına dikkat edin.
- Bol giysiler veya takılabilecek öğeler giymeyin.

- Motor yağını kontrol edin. **Yağ Seviyesinin Kontrolü** bölümüne bakın.
- Eğer varsa, ekipman tahrik kontrollerrinin devre dışı bıraktığından emin olun.
- Yakıt kapatma valfini (A, Şekil 5) (eğer varsa), AÇIK konumuna getirin.
- Gaz kumandasını (eğer varsa) (B, Şekil 5) FAST (Hızlı) konumuna getirin.
- Jikle kumandası olan modellerde** (C, Şekil 5), eğer teçhiz edilmişse, jikle kumandasını CLOSED (Kapalı) konuma getirin. **Jikle/gaz kumandası kombinasyonu olan modellerde** (G, Şekil 5), eğer teçhiz edilmişse, kumandayı JİKLE konuma getirin. **ReadyStart® ile donatılmış modellerde**, bir sonraki adıma geçin.

NOT: Sıcak bir motoru çalıştırırken genellikle jikle gerekli değildir.

- Motoru çalıştırmak için, eğer teçhiz edilmişse, kontak anahtarını (D, Şekil 5) AÇIK/ÇALIŞTIR konumuna getirin veya düğmeye (E) basın.
- Motor ısınca, jikle kumandasını (C, Şekil 5) (eğer varsa), AÇIK konuma getirin.

Motoru Durdurun



UYARI

Yakıt ve buharları yanıcı ve patlayıcıdır. Yangın veya patlama yanıklara veya ölüme yol açabilir.

- Motoru durdurmak için karbüratörü (donatılmış ise) boğmayın.

- Gaz kumandası YAVAŞ konumdayken, eğer teçhiz edilmişse, elektrikli marş anahtarını (D, Şekil 6) OFF (Kapalı) konuma getirin.
- Anahtarı çıkarın ve güvenli bir yerde saklayın.

- Motor durduktan sonra, eğer varsa, yakıt kapatmayı (A, Şekil 6) CLOSED (Kapalı) duruma getirin.

Bakım

Bakım Bilgileri



UYARI

Yakıt ve buharları yanıcı ve patlayıcıdır. Yangın veya patlama yanıklara veya ölüme yol açabilir.

Bakım sırasında üniteyi eğmek gerektiği takdirde, yakıt deposu motorun üzerine monte edilmiş ise onun boş olmasına ve buji tarafının yukarıda kalmasına dikkat edin. Yakıt deposunun boş olmaması halinde sızıntı olabilir ve bir yangına veya patlamaya yol açabilir. Motor başka bir yöne eğildiği takdirde hava filtresinin veya bujinin yağ veya yakıt ile kirlenmesi yüzünden kolayca çalışmaya başlamayacaktır.



UYARI

Kazara motor kıvılcımı elektrik çarpmasına, yangına veya patlamaya yol açabilir ve takılmaya, travmatik uzuv kesilmesine veya yaralanmaya neden olabilir.

Ayar veya tamir yapmadan önce:

- Tüm buji kablolarını çıkarın ve bujilerden uzakta tutun.
- Akü kablosunu negatif akü terminalinden ayırın (yalnız elektrikli başlatma bulunan motorlar.)
- Yalnızca doğru aletleri kullanın.

Kıvılcım kontrolü yaparken:

- Onaylanmış bir buji test cihazı kullanın.
- Buji çıkarılmış halde kıvılcım kontrolü yapmayın.



UYARI

Yedek parçalar orijinal parçalarla aynı tasarımda olmalı ve aynı konumlara yerleştirilmelidir. Başka parçaların arıza yapmasına veya bir yaralanmaya neden olabilir.

DİKKAT

Doğru çalışma için, bu motorun yapılmasında kullanılan tüm bileşenler yerlerinde olmalıdır.

Motor ve motor parçalarıyla ilgili tüm bakım ve onarım hizmetleri için bir Briggs & Stratton Yetkili Servis Bayisine başvurun.

Emisyonlar Kontrol Servisi

Emisyon kontrol cihazlarının ve sistemlerinin bakımı, değiştirilmesi veya tamiri için ehliyetli bir yol dışı motor tamir kuruluşu veya servis teknisyeni ile görüşün. Ancak, "ücretsiz" emisyon kontrol hizmeti için bu işin fabrikanın yetkili bir bayisi tarafından yapılmalıdır. Emisyon Kontrol Beyanına bakın.

Bakım Programı

İlk 5 Saat
<ul style="list-style-type: none">Motor yağını değiştirin¹.
8 Saatlik veya Günlük Aralıklarla
<ul style="list-style-type: none">Motor yağ seviyesini kontrol edin.Egzoz ve kumanda çevresindeki alanı temizleyinHava giriş izgarasını temizleyin.
25 Saatlik veya Yıllık Aralıklarla
<ul style="list-style-type: none">Hava filtresini temizleyin².Ön filtreyi temizleyin².
50 Saatlik veya Yıllık Aralıklarla
<ul style="list-style-type: none">Motor yağını değiştirin³.Yağ filtresini (varsa) değiştirin³.Egzoz sistemine bakım uygulayın.
100 Saatlik veya Yıllık Aralıklarla
<ul style="list-style-type: none">Motor yağını değiştirin⁴.Yağ filtresini (varsa) değiştirin⁴.
Senede Bir

- Bujiyi değiştirin.
- Hava filtresini değiştirin.
- Ön temizleyiciyi değiştirin.
- Yakıt filtresini değiştirin.
- Hava soğutma sistemine bakım uygulayın¹.
- Valf açıklığını kontrol edin⁵.

¹ Sadece yağ filtresiz motorlar.

² Tozlu koşullarda veya havada çok sayıda partikül olduğu zaman daha sık temizleyin.

³ Yağ filtresiz veya standart siyah yağ filtreli motorlar. Parça numarası için *Teknik özellikler* bölümüne bakın.

⁴ Yüksek etkili sarı veya turuncu filtreli motorlar. Parça numarası için *Teknik özellikler* bölümüne bakın.

⁵ Motor performans sorunları ortaya çıkmadan gerekli değil.

Elektronik Yakıt Yönetim Sistemi

Elektronik Yakıt Yönetim Sistemi motorun çalıştırılması ve ısıtılması sırasında jikleli ayarlamak için motor sıcaklığını, motor devrini ve akü voltajını takip eder. Sistem herhangi bir ayar gerektirmemektedir. Çalıştırma veya kullanım esnasında sorunlarla karşılaşılması halinde Briggs & Stratton Yetkili Servis Bayisi ile iletişime geçin.

DİKKAT Aşağıdaki talimatları izlediğinizden emin olun, aksi halde Elektronik Yakıt Yönetim Sistemi hasar görebilir.

- Akü kabloları gevşekken motoru ÇALIŞTIRMAYIN.
- Hızlı başlatma kablolarını bağlamadan veya akü kablolarını çıkarmadan veya yeniden takmadan önce, kontak anahtarını KAPALI konuma getirin. Akü şarj edilirken, kontak anahtarını KAPALI konuma getirilmelidir.
- Akü kablolarını aküden çıkarırken, ilk olarak negatif (-) kabloyu ve sonrasında pozitif (+) kabloyu aküden çıkarın. Akü kablolarını aküye bağlarken, ilk olarak pozitif (+) kabloyu ve sonrasında negatif (-) kabloyu aküye bağlayın.
- Motoru çalıştırmak için akü şarj cihazı KULLANMAYIN.
- Motorun çalışması esnasında akü kablolarını ÇIKARMAYIN.
- Elektronik Kontrol Ünitesi üzerine doğrudan su PÜSKÜRTMEYİN.

Karbüratör ve Motor Hızı

Motor hızını ayarlamak için karbüratör, guvernör yayı, bağlantıları veya başka parçalarda ayarlamalar yapmayın. Herhangi bir ayar gerektiği zaman, servis için bir Briggs & Stratton Yetkili Servis Bayisi ile görüşün.

DİKKAT

Ekipmana takılmış motor için en yüksek hızı ekipmanın üreticisi belirler. Bu hızı geçmeyin. Ekipman için en yüksek hızdan emin olmadığınız veya fabrikada hızın ne şekilde ayarlandığını bilmediğiniz zaman yardım için Briggs & Stratton Yetkili Servis Bayisi ile görüşün. Ekipmanın güvenli ve doğru çalışması için motor hızının yalnızca ehliyetli bir servis teknisyeni tarafından ayarlanması gerekir.

Egzoz ve Soğutma Sisteminin Bakımı



UYARI Çalışma sırasında motor ve susturucu ısınır. Sıcak bir motora dokunmanız halinde ısı yanıklar meydana gelebilir.

Yaprak, çimen ve çalı gibi yanıcı maddeler alev alabilir.

- Motora veya susturucuya dokunmadan önce motoru dururun ve iki (2) dakika bekleyin. Motorun ve susturucunun dokunmak için güvenli olmasına dikkat edin.
- Susturucudan ve motordan çöpleri temizleyin.

Egzoz sistemi etkili şekilde çalışır durumda tutulmak üzere bölüm 4442'de tanımlanan şekilde bir kıvılcım durdurucu ile donatılmış olmadığı sürece, motorun orman kaplı, çalılık kaplı veya ot kaplı alanlarda kullanılması Kaliforniya Eyaleti Public Resource Code Bölüm 4442'nin ihlal edilmesine neden olur. Diğer eyaletlerde veya federal yetki bölgelerinde benzer yasalar bulunabilir; Federal Yönetmelik 36 CFR Bölüm 261.52'ye bakın. Bu motorun egzoz sistemi için tasarlanmış bir kıvılcım tutucu almak için orijinal cihaz üreticisine, perakendeciye veya bayiye başvurun.

Bu, hava soğutmalı bir motordur. Kir veya istenmeyen maddeler hava akışını engelleyebilir ve motorun aşırı ısınmasına neden olabilir. Bu durum da motorun düşük performans ile çalışmasına ve motor ömrünün azalmasına neden olabilir. Silindir soğutma kanallarında istenmeyen maddeler birikebilir ve bu kalıntılar motor kısmi olarak sökülmeden kaldırılamaz. Bir Briggs & Stratton Yetkili Servis Bayisinin hava soğutma sistemini inceleyip temizlemesini sağlayın. **Bakım Programına** bakınız.

1. Susturucunun etrafında veya arkasında yanıcı madde olmadığından emin olun.

2. Üfleme yuvası, susturucu ve silindir bölgesindeki tüm istenmeyen maddeleri temizlemek için bir fırça veya kuru bez kullanın. Motoru temizlemek için su KULLANMAYIN.
3. Tüm bağlantı, yay ve kumandaların temiz olduğundan emin olun.
4. Susturucuda çatlak, korozyon veya başka hasar olup olmadığını kontrol edin.
5. Varsa kıvılcım tutucuyu sökün, hasar veya karbon tıkanması olup olmadığını kontrol edin. Donanımı çalıştırmadan önce temizleyin veya yedek parçaları monte edin.
6. Donatılmış ise, yağ soğutucu uçlarının temiz olmasını sağlayın.

Bujinin Bakımı

Bir tel mastarı (B) kullanarak buji aralığını (A, Şekil 7) kontrol edin. Gerekli ise buji aralığını ayarlayın. Bujiyi monte edin ve doğru torka sıkın. Aralık veya tork teknik özellikleri için, **Teknik Özellikler** bölümüne bakın.

Motor Yağının Değiştirilmesi



UYARI Yakıt ve buharları yanıcı ve patlayıcıdır. Yangın veya patlama yanıklara veya ölüme yol açabilir.

Çalışma sırasında motor ve susturucu ısınır. Sıcak bir motora dokunmanız halinde ısı yanıklar meydana gelebilir.

- Yağı üst yağ doldurma borusundan boşaltmanız halinde yakıt deposu boş olmalıdır. Boş olmaması halinde yakıt sızabilir ve yangına veya patlamaya yol açabilir.
- Motora veya susturucuya dokunmadan önce motoru dururun ve iki (2) dakika bekleyin. Motorun ve susturucunun dokunmak için güvenli olmasına dikkat edin.

Kullanılmış yağ tehlikeli bir atık maddedir ve doğru şekilde atılmalıdır. Evsel atığınızla birlikte çöpe atmayın. Güvenli şekilde atmak veya geri dönüştürme tesisleri için yerel makamlarınıza, servis merkezine veya bayiye başvurun.

Yağın Boşaltılması

1. Motor KAPALI fakat halen sıcak iken, buji kablosunu (kablolarını) (D, Şekil 8) sökün ve buji(ler)den (E) uzakta tutun.
2. Yağ çubuğunu çıkarın (A, Şekil 9).

Yağ Boşaltma Tapası, takılıysa

1. Yağ boşaltma tapasını sökün (F, Şekil 10). Yağı bu işlem için onaylanmış bir kaba boşaltın.

NOT: Yağ boşaltma tapaları (G, Şekil 10) bu motorda bulunuyor olabilir.

2. Yağ boşaldıktan sonra, yağ boşaltma tapasını monte edin ve sıkın (F, Şekil 10).

Hızlı Yağ Boşaltma, takılıysa

1. Hızlı yağ boşaltma hortumunu (H, Şekil 11) motorun yanından sökün.
2. Yağ boşaltma kapağını (I, Şekil 11) çevirin ve çıkartın. Hızlı yağ boşaltma hortumunu (H) onaylanmış bir kabin (J) içine doğru dikkatle indirin.
3. Yağ boşaldıktan sonra, hızlı yağ boşaltma kapağını (I, Şekil 11) takın. Hızlı yağ boşaltma hortumunu (H) motorun yanına takın.

Yağ Ekleme

- Motorun yatay olduğunu kontrol edin.
- Yağ doldurma alanından kirleri temizleyin.
- Yağ kapasitesi için **Teknik Özellikler** bölümüne bakın.

1. Yağ çubuğunu çıkarın (A, Şekil 3). Yağ çubuğundaki yağı temiz bir bezle temizleyin.
2. Motor yağ doldurma ağzından yavaşça yağ ekleyin (C, Şekil 3). **Motor yağ doldurma kısmına aşırı miktarda yağ koymayın.** Bir dakika bekleyin ve ardından yağ seviyesini kontrol edin.

NOT: Eğer varsa, hızlı yağ boşaltma deliğinden yağ eklemeyin.

3. Yağ çubuğunu yerine takın ve sıkıştırın (A, Şekil 3).
4. Yağ çubuğunu çıkarın ve yağ seviyesini kontrol edin. Doğru yağ seviyesi, yağ çubuğu üzerindeki tam dolu işaretinin üzeridir (B, Şekil 3).
5. Yağ çubuğunu yerine takın ve sıkıştırın (A, Şekil 3).
6. Buji kablosunu (kablolarını) bujiye (bujilere) bağlayın. **Yağın Boşaltılması** kısmına bakın.

Yağ Filtresinin Değiştirilmesi

1. Motordaki yağı boşaltın. **Yağın Boşaltılması** bölümüne bakın.

- Yağ filtresini (H, Şekil 12) çıkarın ve doğru şekilde atın.
- Yeni yağ filtresini takmadan önce yağ filtresi contasını temiz yağ ile hafifçe yağlayın.
- Yağ filtresini, conta yağ filtresi adaptörüne temas edinceye kadar elinizle yerleştirin, sonra yağ filtresini 1/2 ile 3/4 tur arasında sıkın.
- Yağ ekleyin. **Yağ Ekleme** bölümüne bakın.
- Motoru başlatın ve çalıştırın. Motor ısındığı zaman yağ sızıntısı olup olmadığını kontrol edin.
- Motoru durdurun. Yağ seviyesinin, yağ çubuğundaki dolu göstergesinin tepesinde olduğunu kontrol edin. **Yağ Ekleme** bölümüne bakın.

Hava Filtresinin Bakımı

UYARI

Yakıt buharları yanıcıdır ve patlayıcıdır. Yangın veya patlama yanıklara veya ölüme yol açabilir.

- Hava temizleyici tertibatı (donatılmış ise) veya hava filtresi (donatılmış ise) sökülmüş olarak motoru başlatmayın ve çalıştırmayın.

DİKKAT

Filtreyi temizlemek için basınçlı hava veya çözücü kullanmayın. Basınçlı hava filtrede zarara yol açabilir ve çözücüler filtreyi eritir.

Servis şartları için **Bakım Programına** bakın.

Farklı modeller köpük veya kağıt filtre kullanır. Bazı modellerde yıkanabilen ve tekrar kullanılabilen isteğe bağlı bir ön temizleyici bulunmaktadır. Bu kılavuzdaki resimleri sizin motorunuzdaki tipte karşılaştırın ve ona göre bakımını yapın.

Kağıt Hava Filtresi (ön filtreli)

- Mandal(lar)ı gevşetin (A, Şekil 13).
- Hava filtresi kapağını çıkartın (B, Şekil 13).
- Filtreyi (C, Şekil 13) ve eğer varsa ön filtreyi (D) çıkartın.
- İstenmeyen materyali gevşetmek için, filtreyi sert bir yüzeye hafifçe vurun. Hava filtresi kirli ise, bunu yeni bir filtre ile değiştirin.
- Eğer varsa, ön filtreyi (D, Şekil 13) sıvı deterjan ve suyla yıkayın. Ön temizleyiciyi hava ile tamamen kurumaya bırakın. Ön filtreyi **YAĞLAMAYIN**.
- Eğer varsa, kuru ön filtreyi (D, Şekil 13) ve filtreyi (C) filtre yuvasına (E) takın.
- Hava filtresi kapağını (B, Şekil 13) takın ve bağlantı eleman(lar)ıyla (A) sıkın. Mandal(lar)ın sıkı olduğunu kontrol edin.

Hava Filtresi Gurubu (Ön temizleyici bulunan kartuş)

- Bağlantı eleman(lar)ını (A, Şekil 14, 15) gevşetin.
- Hava filtresi kapağını çıkartın (B, Şekil 14, 15).
- Filtreyi çıkartmak için (C, Şekil 14, 15), filtrenin uç kısmını kaldırın.
- İstenmeyen materyali gevşetmek için, filtreyi sert bir yüzeye hafifçe vurun. Hava filtresi kirli ise, bunu yeni bir filtre ile değiştirin.
- Ön filtreyi (D, Şekil, 14, 15) filtreden (C) çıkartın.
- Ön filtreyi (D, Şekil 14, 15) sıvı deterjan ve suyla yıkayın. Ön temizleyiciyi hava ile tamamen kurumaya bırakın. Ön filtreyi **YAĞLAMAYIN**.
- Eğer varsa, kuru ön filtreyi (D, Şekil 14, 15) filtreye yerleştirin.
- Filtreyi (C, Şekil 14, 15) ve eğer varsa ön filtreyi (D), filtre yuvasına (E) takın ve yerine tam oturana dek aşağı doğru bastırın.
- Hava filtresi kapağını (B, Şekil 14, 15) takın ve bağlantı eleman(lar)ıyla (A) sıkın. Mandal(lar)ın sıkı olduğunu kontrol edin.

Yakıt Sistemi Bakımı

UYARI

Yakıt ve buharları yanıcı ve patlayıcıdır. Yangın veya patlama yanıklara veya ölüme yol açabilir.

- Yakıtı kıvılcımlardan, açık alevlerden, pilot ateşlerden, ısıdan ve diğer tutuşturma kaynaklarından uzak tutun.
- Yakıt hatlarında, yakıt deposunda, yakıt kapağında ve bağlantılarda sık şekilde çatlak veya sızıntı incelemesi yapın. Hasarlı parçaları değiştirin.
- Yakıt döküldüğü takdirde motoru çalıştırmadan önce kurumasını bekleyin.

Yakıt Filtresi, takılmışsa

- Yakıt filtresini (A, Şekil 16) temizlemeden önce yakıt deposunu boşaltın veya yakıt kapatma valfini kapatın. Yakıt deposunun boşaltılmaması halinde, yakıt sızıntısı olabilir ve yangına veya patlamaya yol açabilir.

- Kelepçelerin (C) üzerindeki tırnakları (B, Şekil 16) sıkılamak için pense kullanın, ardından kelepçeleri yakıt filtresinden (A) uzağa taşıyın.
- Yakıt borularını (D, Şekil 16) çevirin ve yakıt filtresinden çekin.
- Yakıt hatlarında (D, Şekil 16) çatlak veya kaçak olmadığını kontrol edin. Gerekirse yakıt borularını değiştirin.
- Yakıt filtresini (A, Şekil 16) yenisiyle değiştirin.
- Yakıt hatlarını (D, Şekil 16) kelepçelerle (C) tutturun.

Saklama

Yakıt Sistemi

Bkz. Figure: 17.

UYARI

Yakıt ve buharları yanıcı ve patlayıcıdır. Yangın veya patlama yanıklara veya ölüme yol açabilir.

Yakıt Depolama

- Pilot ışıklar veya başka ateşleme kaynakları patlamalara yol açabileceği için yakıtı veya donanımı fırınların, ocakların, su ısıtıcılarının veya pilot ışığı olan başka cihazların uzağında tutun.

Motoru yatay şekilde (normal çalışma konumu) tutun. Yakıt deposuna (A, Şekil 17) yakıt doldurun. Yakıtın genişmesi için yakıt deposu boynundan (B) yukarıya doldurmayın.

Yakıt, 30 günden fazla bir kaptan saklanması halinde bayatlayabilir. Yakıtta verim kaybını önlemek ve yakıtı taze tutmak için, yakıt depolama kabına alkol içermeyen bir yakıt stabilizatörü ve etanol uygulanması tavsiye edilir.

Yakıt kabını yakıtla doldurduğunuzda, üreticinin talimatlarında belirtildiği şekilde alkol içermeyen bir yakıt stabilizatörü ekleyin. Motordaki benzine bir yakıt stabilizatörü ilave edilmezse, benzin onaylı bir kaba boşaltılmalıdır. Motoru yakıt tükenene kadar çalıştırın.

Motor Yağı

Motor hala sıcakken, motor yağını değiştirin. **Motor Yağının Değiştirilmesi** bölümüne bakın.

Sorun Giderme

Yardım

Yardım için yerel bayiniz ile görüşün veya **BRIGGSandSTRATTON.COM** adresine gidin veya **1-800-444-7774** telefon numarasını arayın (ABD'de).

Teknik Özellikler ve Servis Parçaları

Teknik Özellikler	Model: 400000	Model: 440000
Silindir hacmi	40.03 ci (656 cc)	44.18 ci (724 cc)
Çap	2.970 in (75,43 mm)	3.120 in (79,24 mm)
Strok	2.890 in (73,41 mm)	2.890 in (73,41 mm)
Yağ Kapasitesi	62 - 64 oz (1,8 - 1,9 L)	62 - 64 oz (1,8 - 1,9 L)
Buji Tırnak Aralığı	.030 in (,76 mm)	.030 in (,76 mm)
Buji Tırnak Torku	180 lb-inç (180 Nm)	180 lb-inç (20 Nm)
Armatür Hava Aralığı	.008 - .012 in (,20 - ,30 mm)	.008 - .012 in (,20 - ,30 mm)
Emme Valfi Boşluğu	.004 - .006 in (,10 - ,15 mm)	.004 - .006 in (,10 - ,15 mm)
Egzoz Valfi Boşluğu	.004 - .006 in (,10 - ,15 mm)	.004 - .006 in (,10 - ,15mm)

Teknik Özellikler	Model: 490000
Silindir hacmi	49.42 ci (810 cc)
Çap	3.300 inç (83,81 mm)
Strok	2.890 in (73,41 mm)
Yağ Kapasitesi	66 - 68 oz (1,9 - 2,0 L)
Buji Tırnak Aralığı	.030 in (,76 mm)
Buji Tırnak Torku	180 lb-inç (180 Nm)
Armatür Hava Aralığı	.008 - .012 inç (,20 - ,30 mm)
Emme Valfi Boşluğu	.004 - .006 in (,10 - ,15 mm)
Egzoz Valfi Boşluğu	.004 - .006 in (,10 - ,15 mm)

Servis Parçaları

Briggs & Stratton servis parçaları satın almak için BRIGGSandSTRATTON.COM adresinde bir Yetkili Servis Bayisi bulun. Tanımlama numarasına (model - tip - trim) ihtiyacınız olacaktır. Motor tanımlama numaranızı bulmak için **Özellikler ve Kontroler** bölümüne bakın.

Güç Değerleri

Mühnerit benzin motoru modelleri için brüt güç sınıflandırması SAE (Otomotiv Mühendisleri Birliği) kod J1940 Küçük Motor Güç ve Tork Sınıflandırma Prosedürüne göre etiketlenmiştir ve SAE J1995'e göre sınıflandırılmıştır. Tork değerleri, etiketinde "dev/dak" yazan motorlar için 2600 dev/dak üzerinden, tüm diğerleri için 3060 Dev/Dak üzerinden hesaplanmıştır; beygir gücü değerleri 3600 Dev/Dak üzerinden hesaplanmıştır. Brüt güç eğrileri www.BRIGGSandSTRATTON.COM adresinde görülebilir. Net güç değerleri egzoz ve hava temizleyici takılarak, brüt güç değerleri ise bu atışmanlar olmadan alınmıştır. Fiili brüt motor gücü net motor gücünden yüksek olacaktır ve başka şeylerin yanında ortam çalışma koşullarına ve motordan motora olan farklılığa bağlı olacaktır. Motorların takıldığı geniş ürün çeşitliliğine bakıldığında, benzin motoru belirli bir donanımda kullanıldığı zaman nominal brüt gücü veremeyebilir. Bu fark, bir sınırlandırma olmaksızın, motor parçalarının çeşitliliği (hava temizleyici, egzoz, şarj etme, soğutma, karbüratör, yakıt pompası vb.), uygulama sınırlamaları, ortam çalışma koşulları (sıcaklık, nem, rakım) ve motordan motora değişkenlik dâhil olmak üzere çeşitli etkenlere bağlıdır. Üretim ve kapasite sınırlamalarından dolayı Briggs & Stratton bir motorun yerine daha yüksek bir güç sınıfından bir motor koyabilir.

Garanti

Briggs & Stratton® Motor Garantisi

Yürürlük Tarihi: Ağustos 2022

Sınırlı Garanti

Briggs & Stratton aşağıda belirtilen garanti süresi boyunca malzemeden veya işçilikten ya da her ikisinden kaynaklanan bir kusuru olan herhangi bir parçayı ücretsiz tamir etmeyi veya yeni, yenilenmiş veya yeniden üretilmiş bir parçayla değiştirmeyi garanti etmektedir. Bu garanti uyarınca tamir veya değiştirme için gönderilen ürünlerin nakliye giderleri müşteriye aittir. Bu garanti aşağıda belirtilen süreler ve koşullar için geçerlidir ve onlara tabidir. Garanti hizmeti için, size en yakın Yetkili Servis Bayisini BRIGGSandSTRATTON.COM dahilindeki bayi arama haritasında bulabilirsiniz. Müşteri Yetkili Servis Sağlayıcı ile irtibata geçmeli ve ürünün Yetkili Servis Sağlayıcı tarafından incelenip test edilmesi için uygun şartları sağlamalıdır.

Başka bir açık garanti yoktur. Satılabilirlik ve belirli bir amaca uygunluk dahil olmak üzere zımnı garantiler, satın alma tarihinden itibaren bir yıl için ya da yasalar tarafından izin verilen süre ile sınırlıdır. Tüm diğer zımnı garantiler kapsam dışıdır. Arızı veya sonuç şeklindeki hasarların sorumluluğu yasaların istisnaya izin verdiği ölçüde kapsam dışında tutulacaktır. Bazı devletler veya ülkeler dolaylı bir garantinin ne kadar sürdüğüne bir sınırlama getirilmesine izin vermemektedir ve bazı devletler veya ülkeler arızı veya sonuç şeklindeki hasarların dışarıda tutulmasına veya sınırlanmasına izin vermemektedir ve bu nedenle yukarıdaki sınırlama ve istisna sizin için geçerli olmayabilir. Bu garanti size belirli yasal haklar ve devletten devlete ve ülkeden ülkeye değişen bazı diğer haklar verir .

Standart Garanti Koşulları ^{1, 2}
Vanguard®; Ticari Seri
Tüketici Kullanımı - 36 ay
Ticari Kullanım - 36 ay
XR Serisi
Tüketici Kullanımı - 24 ay
Ticari Kullanım - 24 ay
Dura-Bore™ Dökme Demir Kovanlı Diğer Tüm Motorlar
Tüketici Kullanımı - 24 ay
Ticari Kullanım - 12 ay
Tüm Diğer Motorlar
Tüketici Kullanımı - 24 ay
Ticari Kullanım - 3 ay

¹ Bunlar bizim standart garanti koşullarımızdır, ama nadiren kitapçıının basım tarihinde henüz belirlenmemiş ilave garanti kapsamı olabilir. Motorunuzun güncel garanti koşulları için BRIGGSandSTRATTON.COM web sitesine gidin veya Briggs & Stratton Yetkili Servis Bayinize başvurun.

² Ana güç kaynağı olarak şebeke elektriği yerine jeneratör kullanan cihazların motorları, ticari amaçlı kullanılan yedek güç jeneratörleri, 25 MPH'yi aşan ticari araçlar veya yarış pistinde ya da ticari veya kiralık pistlerde kullanılan motorlar için garanti geçerli değildir.

* Avustralya'da - Ürünlerimiz Avustralya Tüketici Yasası uyarınca kapsam dışında tutulmayan garantiler ile gelmektedir. Büyük bir arıza için ürün değiştirme veya ücret

iadesi hakkınız ve makul olarak önceden tahmin edilebilen başka bir kayıp veya hasar için tazminat hakkınız bulunmaktadır. Ayrıca ürünler kabul edilebilir kalitede olmadığı ve arıza büyük arıza niteliğinde olmadığı zaman da ürünlerin değiştirilmesi ve tamir edilmesi hakkınız vardır. Garanti hizmeti için, BRIGGSandSTRATTON.COM adresindeki bayi arama haritasını kullanarak veya 1300 274 447 numaralı telefonu arayarak ya da salesenquires@briggsandstratton.com.au adresine e-posta göndererek veya Briggs & Stratton Australia Pty Ltd, 1 Moorebank Avenue, Moorebank, NSW, Australia, 2170 posta adresine yazarak size en yakın Yetkili Servis Bayisini bulun.

Garanti süresi ilk bireysel tüketici veya ticari son kullanıcının ürünü satın alma tarihinde başlar ve yukarıdaki tabloda belirtilen süre boyunca devam eder. "Tüketici kullanımı", bir perakende tüketicisi tarafından mesken amaçlı kişisel kullanım anlamına gelir. "Ticari kullanım", ticari, gelir elde etme veya kiralama amaçları da dahil olmak üzere diğer tüm kullanımlar anlamına gelir. Bir motor bir defalık ticari kullanımından sonra, ticari kullanım motoru olarak kabul edilecektir ve bu garanti kapsamında ticari motor şartlarına tabi olacaktır.

Briggs & Stratton ürünleri ile ilgili garanti almak için, garanti kaydı yapılması gerekmez. Satın alma makbuzunuzu saklayın. Garanti servisi talep edildiği zaman, ilk satın alma tarihinin kanıtını sağlayamamanız halinde, garanti süresini belirlemek için ürünün üretim tarihi kullanılacaktır.

Garanti Kapsamı Hakkında Bilgi

Bu garanti sadece motorla ilgili arızalı malzeme ve/veya işçiliği kapsar, motorun monte edildiği cihazların değiştirilmesini veya iadesini kapsamaz. Rutin bakım, ayarlamalar, düzeltmeler, veya normal aşınma/yıpranmalar bu garanti kapsamına girmez. Benzer olarak, motorda değişiklik veya modifikasyon yapılmışsa, ya da motor seri numarası silinmiş veya sökülmüşse garanti geçerli değildir. Bu garanti aşağıdakilerin neden olduğu motor hasarını veya performans sorunlarını kapsamamaktadır:

1. Orijinal Briggs & Stratton parçalarıBriggs & Stratton
2. Motorun yetersiz, kirli veya hatalı nitelikteki yağla çalıştırılması;
3. Kirli veya eski yakıt, %10'dan yüksek etanolla formüle edilmiş benzin veya sıvı petrol ya da doğal gaz gibi alternatif yakıtların, orijinalde Briggs & Stratton tarafından bu yakıtlarla kullanıma göre tasarlanmamış/üretilmemiş motorlarda kullanımı;
4. Hava temizleyiciye iyi bakım yapılmaması veya yerine düzgün monte edilmemesi nedeniyle motora giren kirler;
5. Döner çim biçme makinesi bıçağına sert bir cismin çarpması, gevşek veya hatalı takılmış bıçak adaptörleri, çark veya diğer krank miline bağlı aksamlar, ya da aşırı gergin v kayışı;
6. Debriyajlar, transmisyonlar, ekipman kumandaları, vs. gibi Briggs & Stratton tarafından tedarik edilmeyen ilgili parça veya donanımlar;
7. Soğutma kanallarını ya da volan bölgesini kapayan veya tıkayan çim kırıntıları, kir ve artıklar, veya kemirgen yuvaları;
8. Aşırı hız, gevşek motor montajı veya dengeless bıçak veya çarklar, ya da ekipman parçalarının krank miline yanlış bağlanmasından kaynaklanan aşırı titreşim;
9. Hatalı kullanım, rutin bakım, nakliye, taşıma veya depolama eksiklikleri veya hatalı motor montajı.

Garanti servisi yalnız Yetkili Briggs & Stratton Servis Bayileri aracılığı ile verilmektedir. Size en yakın Yetkili Servis Merkezini BRIGGSandSTRATTON.COM'daki yetkili servis arama haritasında veya 1-800-444-7774 numaralı (ABD'de) telefonu arayarak bulabilirsiniz.

80114782 (Revizyon A)

Not for reproduction

Not for reproduction

Not for reproduction



Not for reproduction