

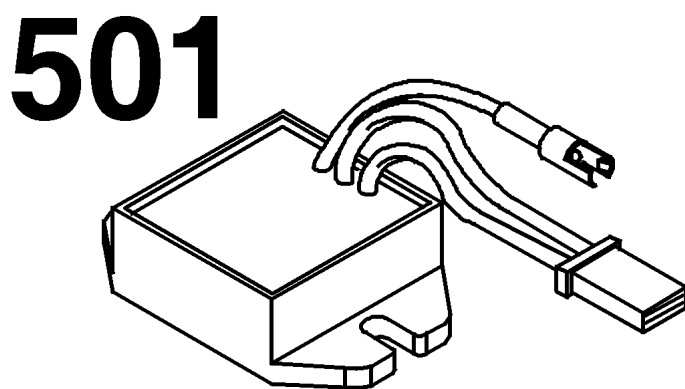
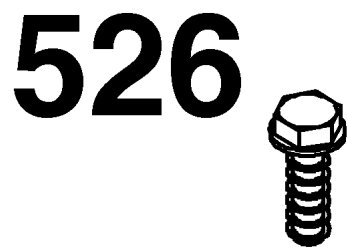
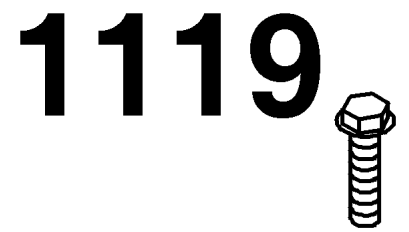
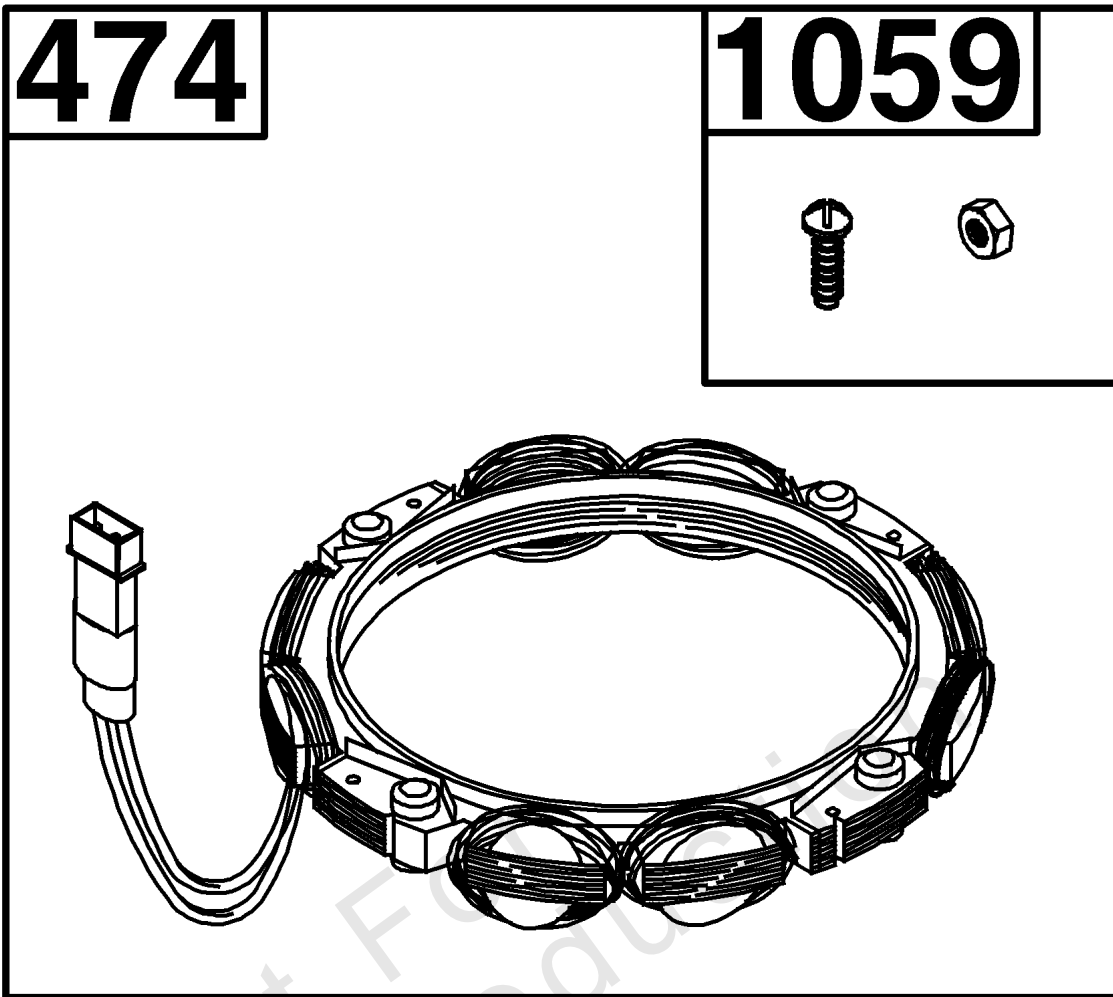


# Parts Manual

Mfg. No: 44U877-0012-B1



<b>Model Components</b>	<b>Page</b>
Alternator Group.....	4
Blower Housing and Air Cleaner Group.....	6
Carburetor and Fuel Supply Group.....	8
Controls Group.....	10
Crankcase Cover/Sump Group.....	12
Crankshaft Group.....	14
Cylinder Group.....	16
Cylinder Head Group.....	20
Flywheel, Ignition, and Starter Group.....	24
Lubrication Group.....	26
Replacement Engine - US & Canada.....	28
Service Parts and Tools Group.....	29
Model 40, 44 & 49 Engine Accessories Catalog.....	31
Maintenance Kits.....	32
Engine Mounted Below Deck Mufflers.....	34
Engine Mounted Above Deck Mufflers.....	36
Spark Arrester/Deflector.....	38
Lubrication.....	40
Implement Mounted Above Deck Mufflers.....	42
Exhaust/Muffler Configurations.....	44
Electrical.....	46
Flywheel Guards.....	48
Speed Control.....	50
Muffler Mounting Hardware.....	52

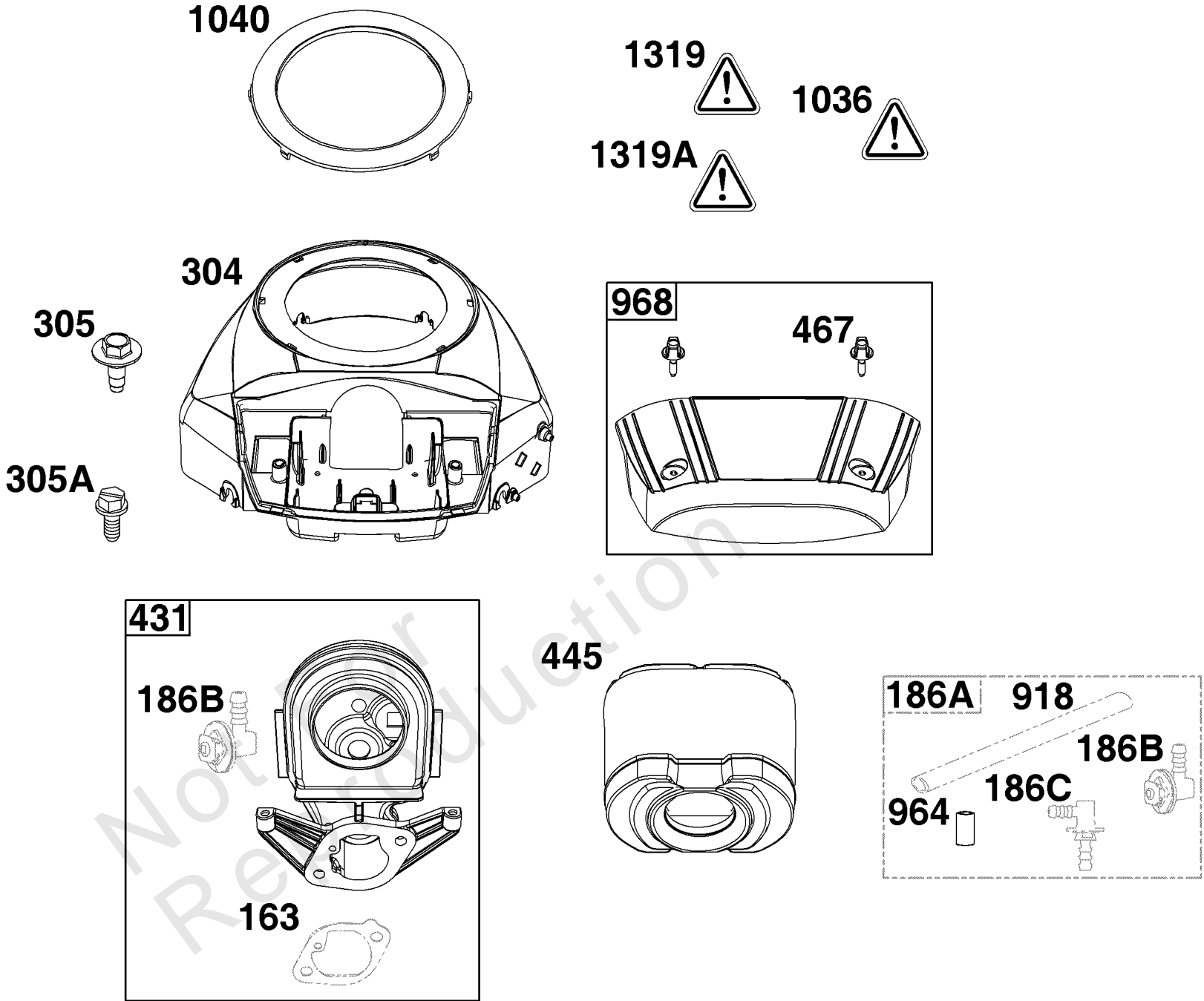




## Alternator Group

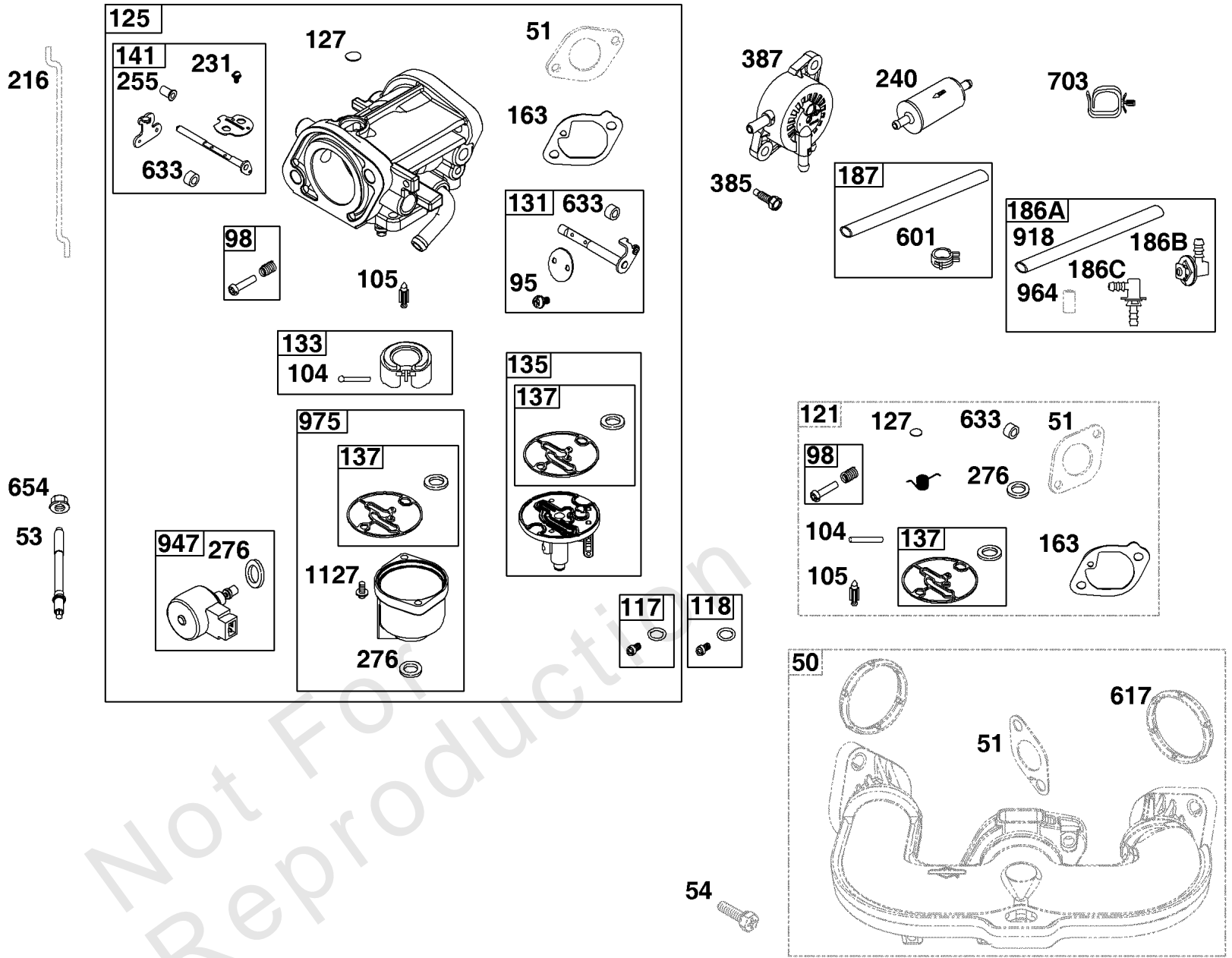
REF NO	PART NO	QTY	DESCRIPTION
474	592830	1	ALTERNATOR -(10/16 Amp. Regulated)
501	593490	1	REGULATOR
526	691108	2	SCREW -(Regulator)
1059	698516	1	KIT, Screw/Washer
1119	691183	4	SCREW -(Alternator)

Not For Reproduction



## Blower Housing and Air Cleaner Group

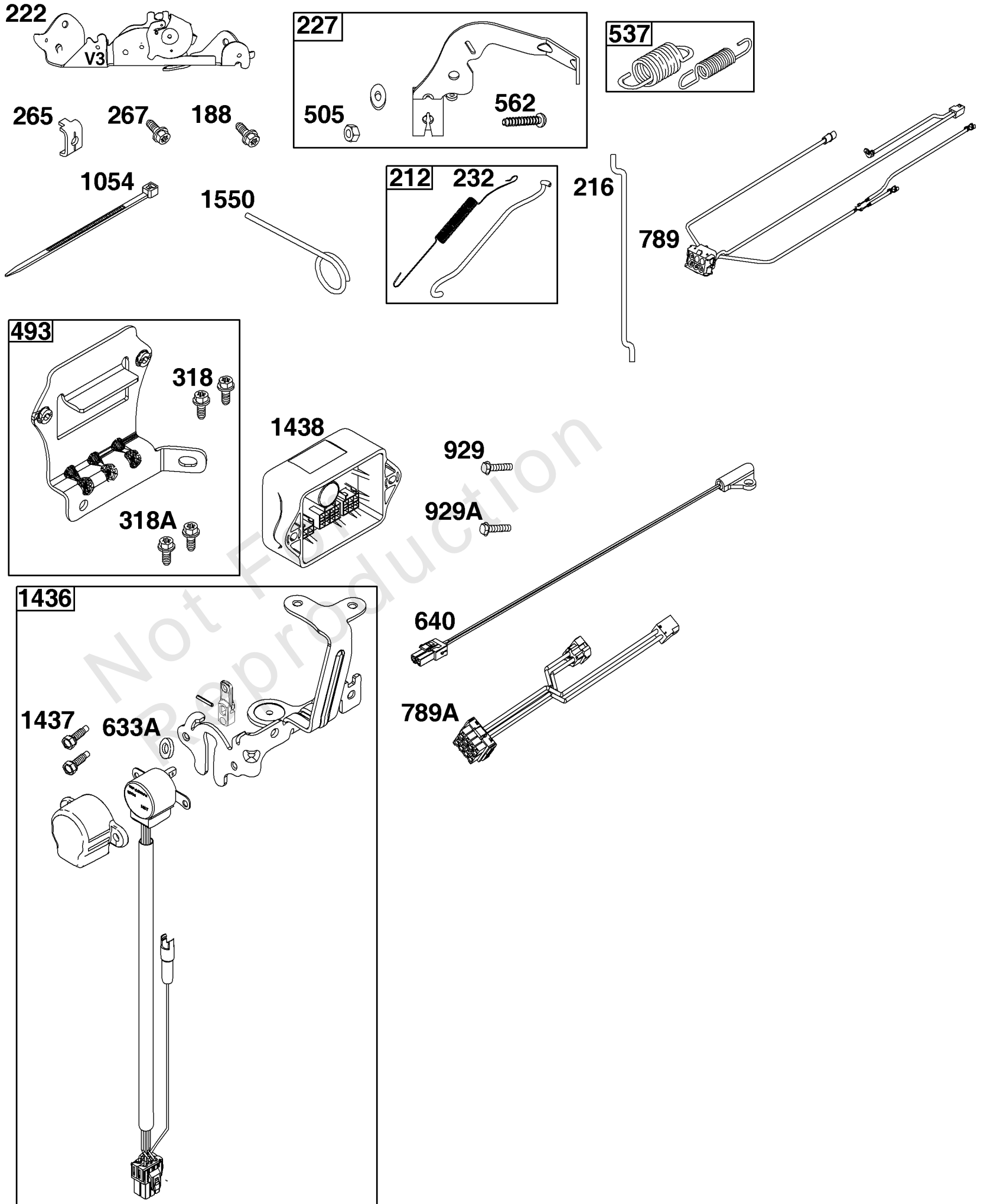
REF NO	PART NO	QTY	DESCRIPTION
163	-----	1	GASKET, Air Cleaner -(Part information located in Carburetor and Fuel Supply Group.)
186A	-----		CONNECTOR, Hose -(Part information located in Carburetor and Fuel Supply Group.)
186B	-----	1	CONNECTOR, Hose -(Part information located in Carburetor and Fuel Supply Group.)
186C	-----		CONNECTOR, Hose -(Part information located in Carburetor and Fuel Supply Group.)
304	591668	1	HOUSING, Blower -Used Before Code Date 18120300
304	597767	1	HOUSING, BLOWER -Used After Code Date 18120200
305	594618	6	SCREW -(Blower Housing)
305A	790690	2	SCREW -(Blower Housing)
431	596034	1	ELBOW, Intake
445	792105	1	FILTER, A/C Cartridge
467	790697	2	KNOB, Air Cleaner Cover
918	-----	1	HOSE, Vacuum -(Part information located in Carburetor and Fuel Supply Group.)
964	799159	1	CAP, Connector
968	795120	1	COVER, Air Cleaner
1036	-----		LABEL, Emissions -(Available from a Briggs & Stratton Authorized Dealer)
1040	791237	1	PLATE, Trim
1319	794467		LABEL, Warning -(REQUIRED When Replacing Parts With Warning Labels Affixed)
1319A	797669		LABEL, Warning -(REQUIRED When Replacing Parts With Warning Labels Affixed)



Not For  
Reproduction

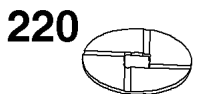
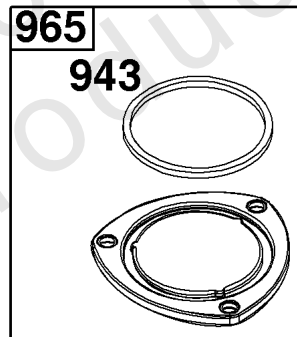
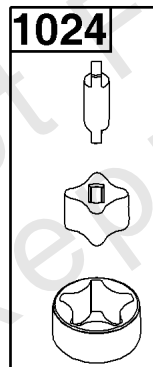
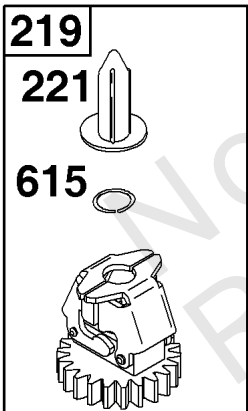
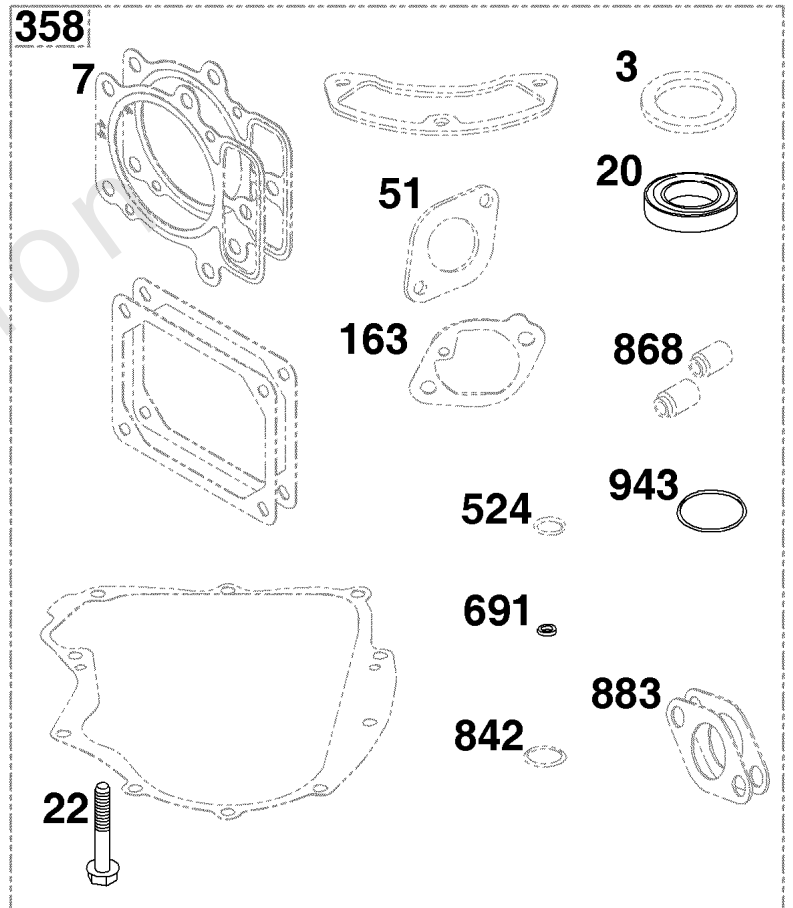
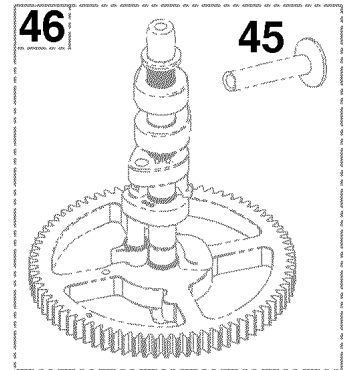
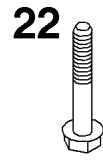
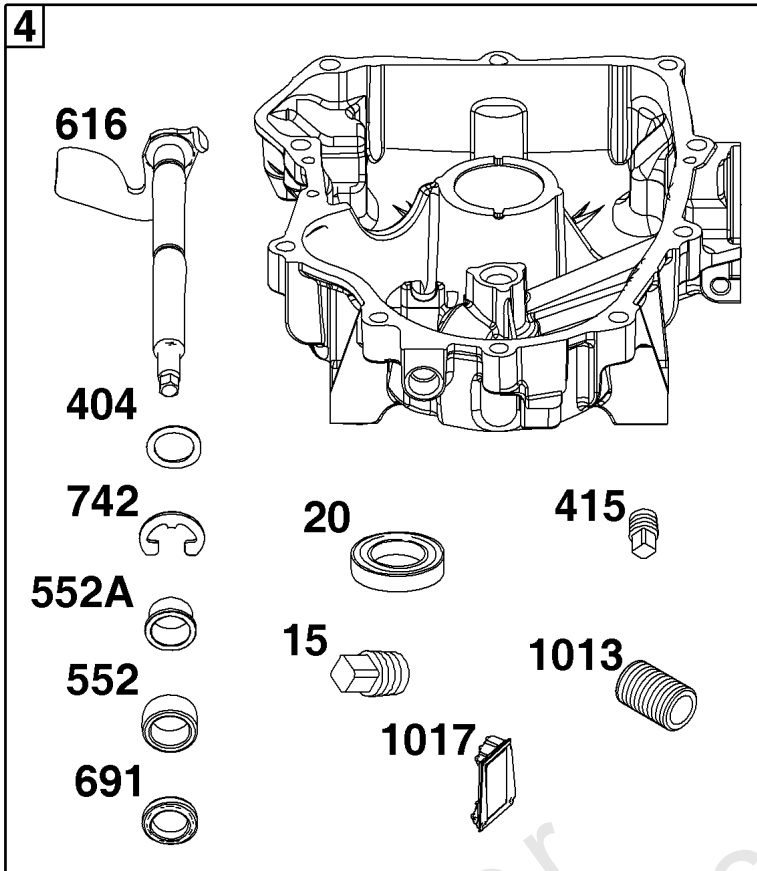
## Carburetor and Fuel Supply Group

REF NO	PART NO	QTY	DESCRIPTION
50	-----	1	MANIFOLD, Intake -(Part information located in Cylinder Head Group.)
51	-----	1	GASKET, Intake -(Part information located in Cylinder Head Group.)
53	690951	2	STUD -(Carburetor)
54	-----	4	SCREW -(Part information located in Cylinder Head Group.)
95	690718	2	SCREW -(Throttle Valve)
98	695408	1	KIT, Idle Speed
104	694918	1	PIN, Float Hinge
105	698537	1	VALVE, Float Needle
117	842585	1	JET, Main -(Standard)
118	792296	1	JET, Main -(High Altitude)
121	-----		KIT, Carburetor Overhaul -(Part information located in Service Parts and Tools Group.)
125	596375	1	CARBURETOR
127	699810	1	PLUG, Welch
131	594210	1	KIT, Throttle Shaft -Used Before Code Date 18120100
133	694914	1	FLOAT, Carburetor
135	591701	1	TUBE, Fuel Transfer
137	698781	1	GASKET, Float Bowl
141	595218	1	KIT, Choke Shaft
163	594203	1	GASKET, Intake
186A	799158	1	CONNECTOR, Hose
186B	845141	1	CONNECTOR, Hose
186C	594428	1	CONNECTOR, Hose
187	791766	1	LINE, Fuel
216	-----	1	LINK, Choke -(Part information located in Controls Group.)
231	690991	3	SCREW -(Choke Valve)
240	845125	1	FILTER, Fuel
255	690721	1	BUSHING, Choke Shaft
276	695410	1	WASHER, Sealing
385	797409	2	SCREW -(Fuel Pump)
387	808656	1	PUMP, Fuel
601	691038	2	CLAMP, Hose
617	-----	2	SEAL, O-Ring -(Part information located in Cylinder Head Group.)
633	699813	1	SEAL, Choke/Throttle Shaft
654	690958	2	NUT -(Carburetor)
703	691010	2	CLIP
918	799160	1	HOSE, Vacuum
947	596039	1	SOLENOID, Fuel
964	-----	1	CAP, Connector -(Part information located in Blower Housing and Air Cleaner Group.)
975	591699	1	BOWL, Float
1127	695407	2	SCREW -(Float Bowl) (Float Bowl to Carburetor Body)



## Controls Group

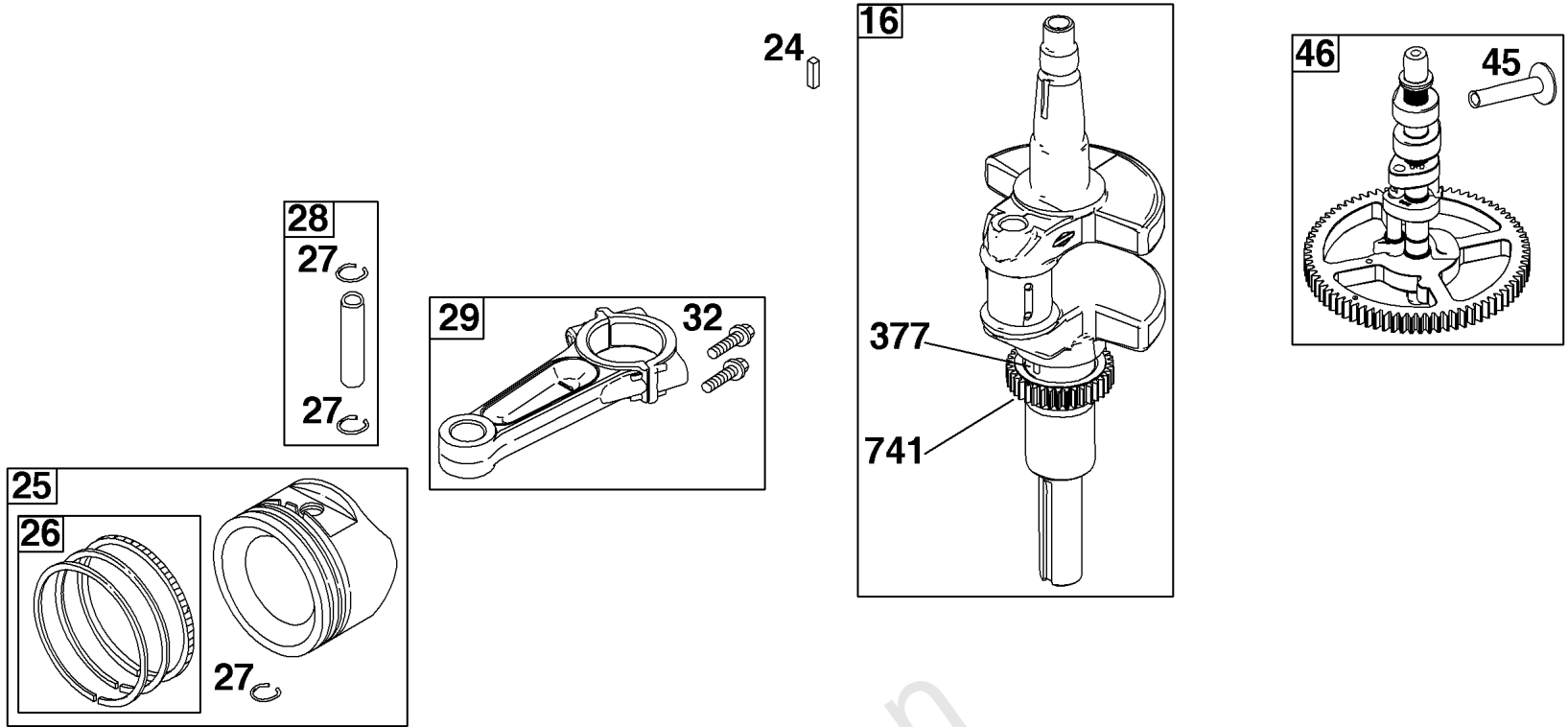
REF NO	PART NO	QTY	DESCRIPTION
188	691108	4	SCREW -(Control Bracket)
212	792265	1	LINK, Throttle
216	796879	1	LINK, Choke
222	798916	1	BRACKET, Control
227	798856	1	LEVER, Governor Control
232	795915	1	SPRING, Governor Link
265	691024	1	CLAMP, Casing
267	792629	1	SCREW -(Casing Clamp)
318	691127	8	SCREW -(Mounting Bracket)
318A	792629	2	SCREW -(Mounting Bracket)
493	797176	1	BRACKET, Mounting
505	691029	1	NUT -(Governor Control Lever)
537	594915	1	KIT, Governor/Idle Spring
562	690311	1	BOLT -(Governor Control Lever)
633A	691321	1	SEAL-CHOKE/THR SHAFT -(Throttle Shaft)
640	796913	1	WIRE ASSEMBLY -(Thermistor)
789	797492	1	HARNESS, Wiring
789A	796914	1	HARNESS, Wiring
929	695239	2	SCREW -(Choke Control Bracket)
929A	794904	1	SCREW -(Choke Control Bracket)
1054	280275	2	TIE, Cable
1436	796918	1	MOTOR, Stepper/Bracket
1437	699891	2	SCREW -(Stepper/Bracket Motor)
1438	796352S	1	MODULE, Electronic Choke
1550	595801	1	PIN, Speed Setting





## Crankcase Cover/Sump Group

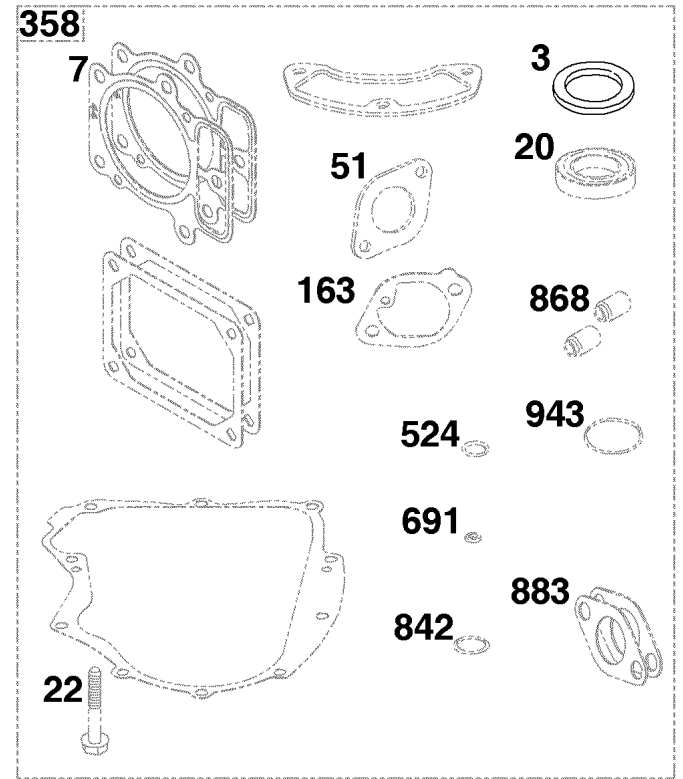
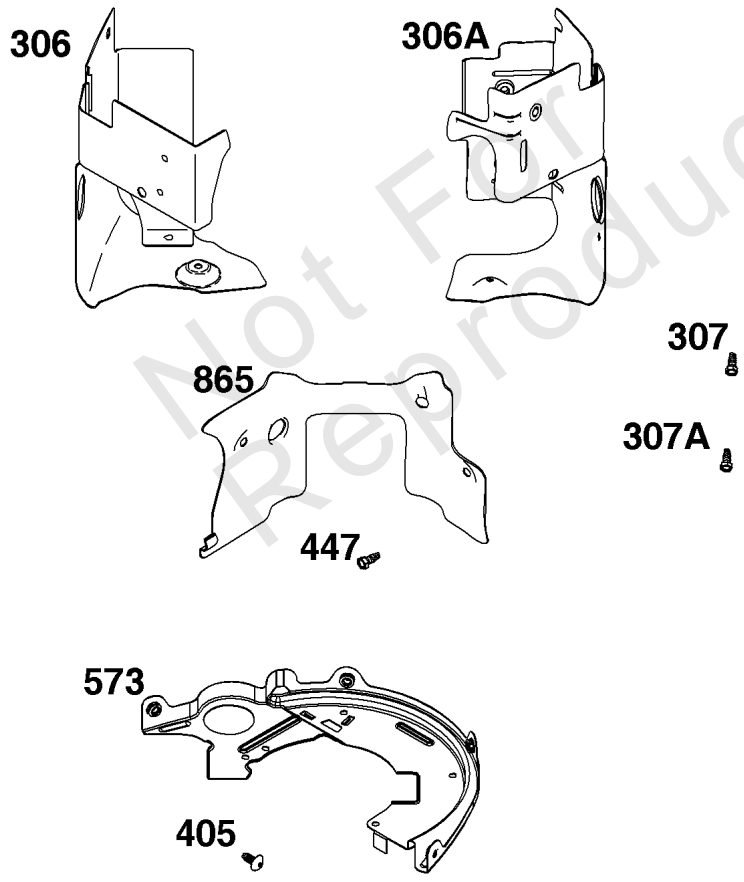
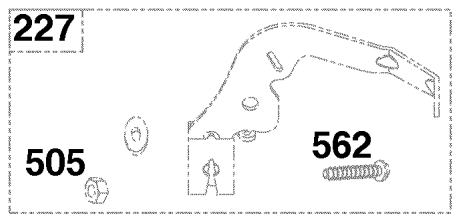
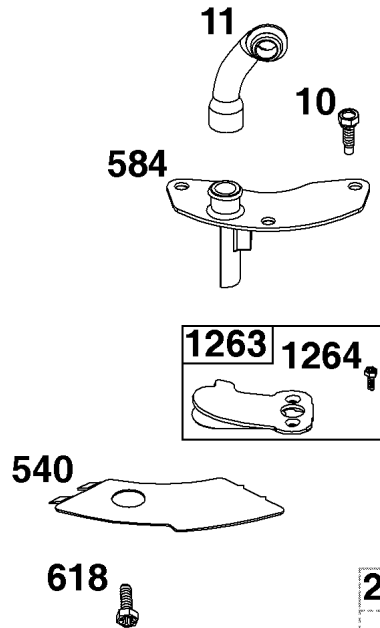
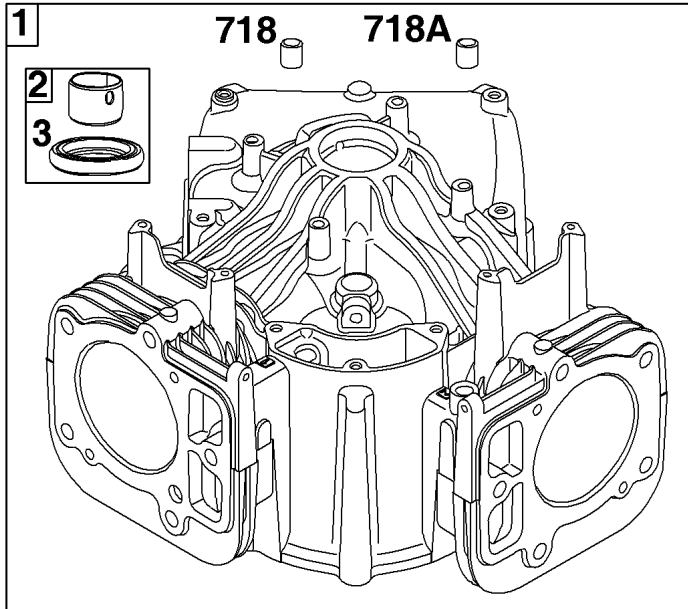
REF NO	PART NO	QTY	DESCRIPTION
3	-----		SEAL, Oil -(Part information located in Cylinder Group.)
4	594974	1	SUMP, Engine
7	-----	2	GASKET, Cylinder Head -(Part information located in Cylinder Head Group.)
15	690946	1	PLUG, Oil Drain
20	795387	1	SEAL, Oil -(PTO Side)
22	694966	10	SCREW -(Crankcase Cover/Sump)
45	-----	4	TAPPET, Valve -(Part information located in Cylinder Head Group.)
46	-----	1	CAMSHAFT -(Part information located in Crankshaft Group.)
51	-----	1	GASKET, Intake -(Part information located in Cylinder Head Group.)
163	-----	1	GASKET, Air Cleaner -(Part information located in Carburetor and Fuel Supply Group.)
219	793338	1	GEAR, Governor
220	799772	1	WASHER -(Governor Gear)
221	841026	1	CUP, Governor
358	-----		GASKET SET, Engine -(Part information located in Cylinder Group.)
404	690442	1	WASHER -(Governor Crank)
415	794903	1	PLUG
524	-----	1	SEAL, O-Ring -(Part information located in Lubrication Group.)
552	796638	1	BUSHING, Governor Crank
552A	690553	1	BUSHING, Governor Crank
615	698290	1	RETAINER, Governor Shaft
616	691045	1	CRANK, Governor
691	790574	1	SEAL, Governor Shaft
742	690328	1	RETAINER, E Ring
750	796208	3	SCREW -(Oil Pump Cover)
842	-----	1	SEAL, O-Ring -(Part information located in Lubrication Group.)
850	100106	1	SEALANT, Liquid
868	-----		SEAL, Valve
883	-----	2	GASKET, Exhaust -(Part information located in Cylinder Head Group.)
943	796222	1	SEAL, O-Ring -(Oil Pump Cover)
965	796221	1	COVER, Oil Pump
1013	690954	1	NIPPLE, Oil Filter
1017	796214	1	SCREEN, Oil Pump
1024	796220	1	PUMP, Oil



Not For  
Reproduction

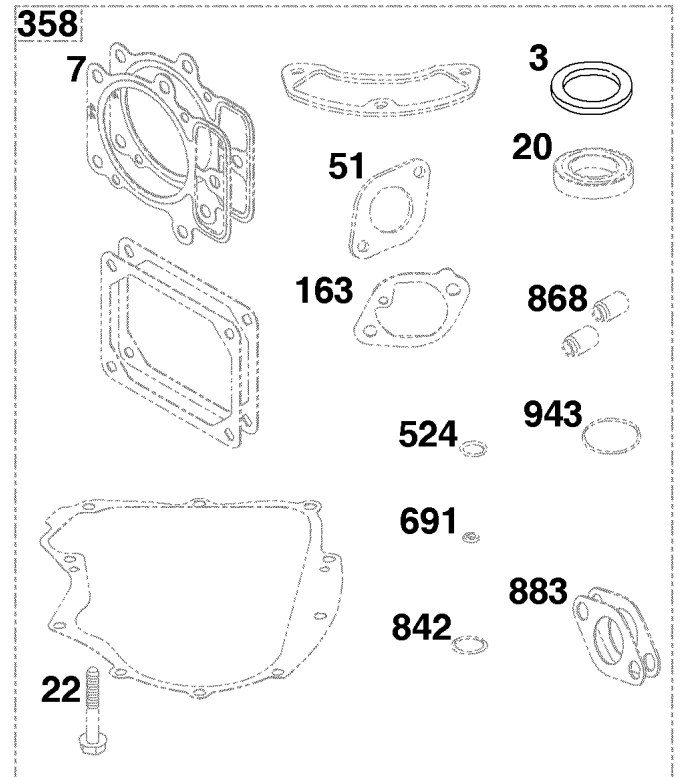
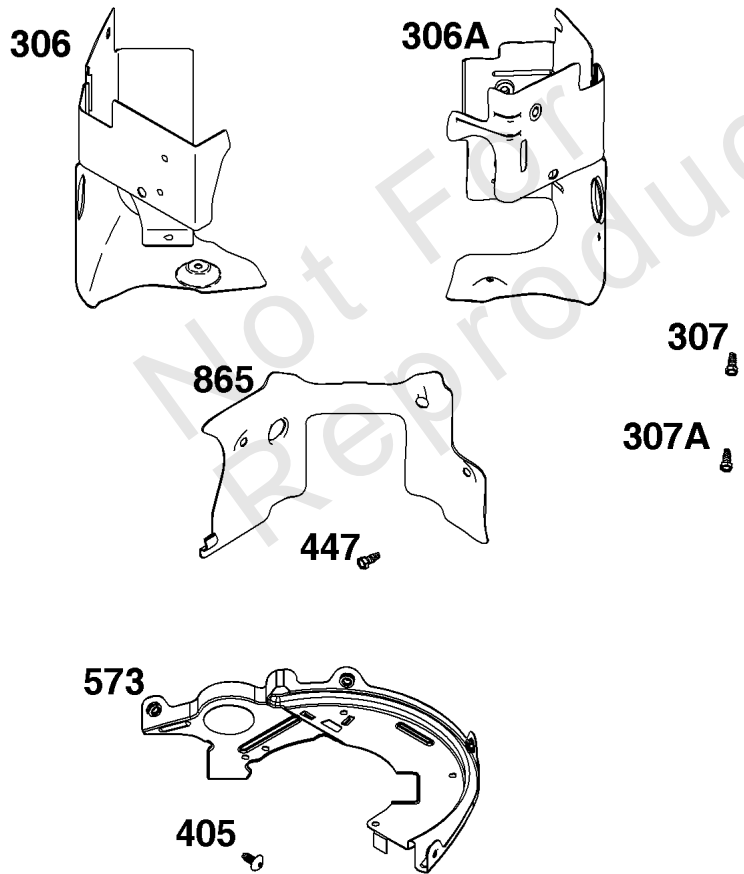
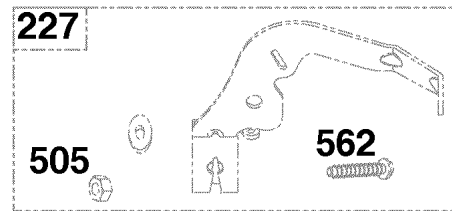
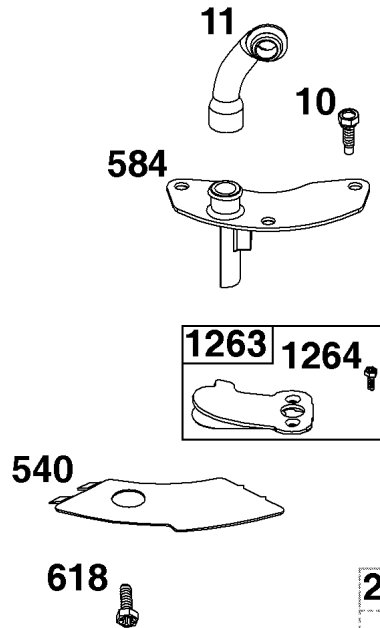
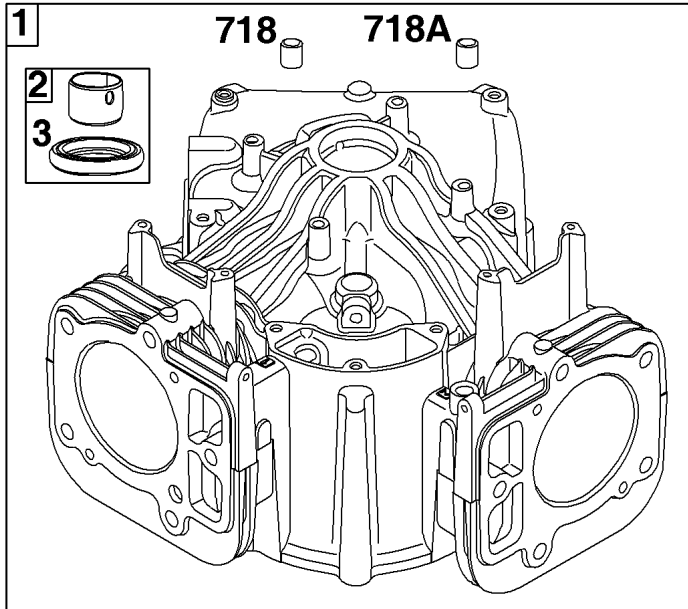
## Crankshaft Group

REF NO	PART NO	QTY	DESCRIPTION
16	595707	1	CRANKSHAFT
24	222698S	1	KEY, Flywheel
25	793560	1	PISTON ASSEMBLY -(Standard)
25	793563	1	PISTON ASSEMBLY -(.020" Oversize)
26	792026	1	SET, Ring -(Standard)
26	792073	2	SET, Ring -(.020" Oversize)
27	690975	1	LOCK, Piston Pin
28	593650	1	PIN, Piston
29	796209	1	ROD, Connecting
32	690976	2	SCREW -(Connecting Rod)
45	-----	4	TAPPET, Valve -(Part information located in Cylinder Head Group.)
46	797242	1	CAMSHAFT
377	690979	1	KEY, Woodruff
741	690980	1	GEAR, Timing



## Cylinder Group

REF NO	PART NO	QTY	DESCRIPTION
1	594970	1	CYLINDER ASSEMBLY
2	797673	1	KIT, Bushing/Seal -(Magneto Side)
3	391086S	1	SEAL, Oil -(Magneto Side)
7	-----	2	GASKET, Cylinder Head -(Part information located in Cylinder Head Group.)
10	691108	4	SCREW -(Breather Assembly)
11	594163	1	TUBE, Breather
20	-----	1	SEAL, Oil -(Part information located in Crankcase Cover/Sump Group.)
22	-----	10	SCREW -(Part information located in Crankcase Cover/Sump Group.)
51	-----	1	GASKET, Intake -(Part information located in Cylinder Head Group.)
163	-----	1	GASKET, Air Cleaner -(Part information located in Carburetor and Fuel Supply Group.)
227	-----	1	LEVER, Governor Control -(Part information located in Controls Group.)
306	796852	1	SHIELD-CYLINDER -Used Before Code Date 18112900
306	84002166	1	SHIELD, Cylinder -Used After Code Date 18112800
306A	591666	1	SHIELD-CYLINDER
307	691003	4	SCREW -(Cylinder Shield)
307A	691108	4	SCREW -(Cylinder Shield)
358	594213		GASKET SET, Engine -(Service Kits may include extra parts not specific to this engine.)
405	594937	7	SCREW -(Back Plate)
447	691003	4	SCREW -(Air Guide Cover)
505	-----	1	NUT -(Part information located in Controls Group.)
524	-----	1	SEAL, O-Ring -(Part information located in Lubrication Group.)
540	594325	1	PLATE, Baffle
562	-----	1	BOLT -(Part information located in Controls Group.)
573	594902	1	PLATE, Back
584	594164	1	COVER, Breather Passage
618	594326	1	SCREW -(Baffle Plate)
691	-----		SEAL, Governor Shaft
718	690959	6	PIN, Locating
718A	594988	1	PIN, Locating
842	-----	1	SEAL, O-Ring -(Part information located in Lubrication Group.)
850	-----		SEALANT, Liquid -(Part information located in Service Parts and Tools Group.)
865	591667	1	COVER, Air Guide
868	-----		SEAL, Valve
883	-----	2	GASKET, Exhaust -(Part information located in Cylinder Head Group.)
943	-----	1	SEAL, O-Ring -(Part information located in Crankcase Cover/Sump Group.)



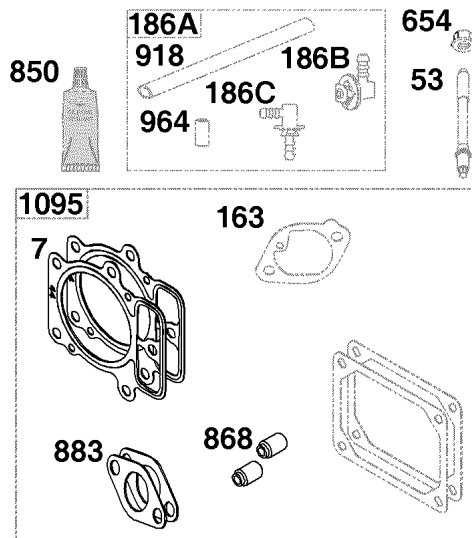
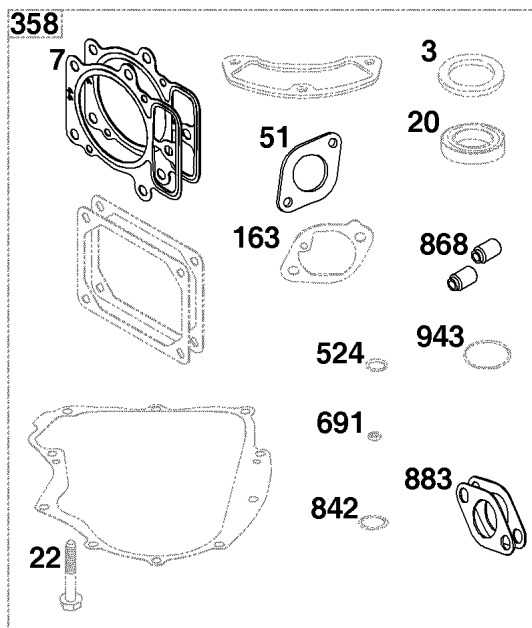
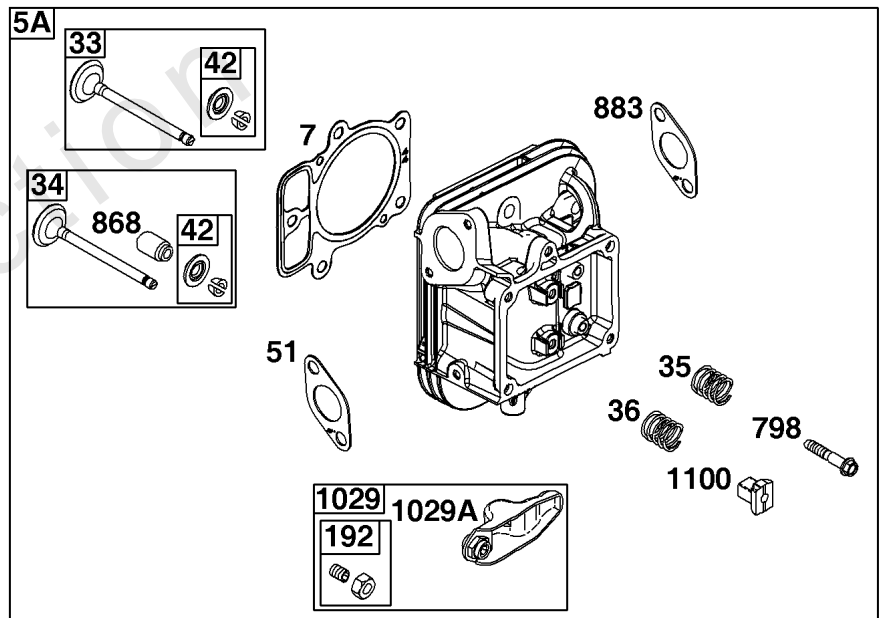
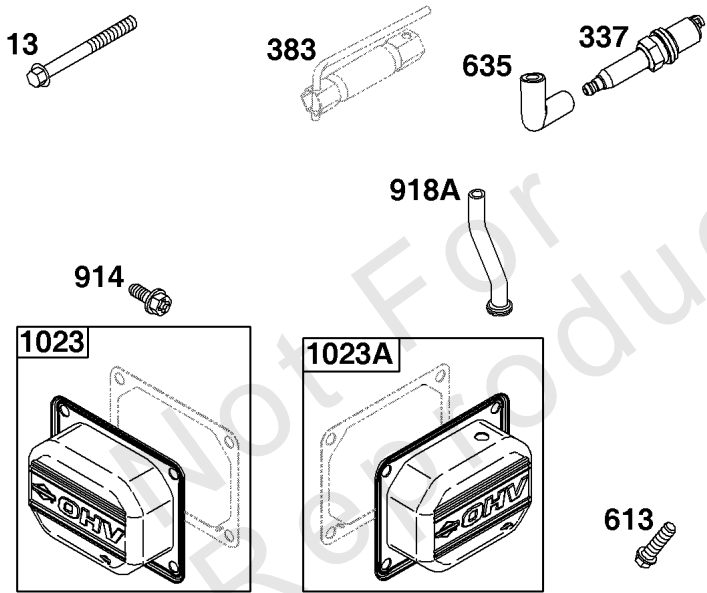
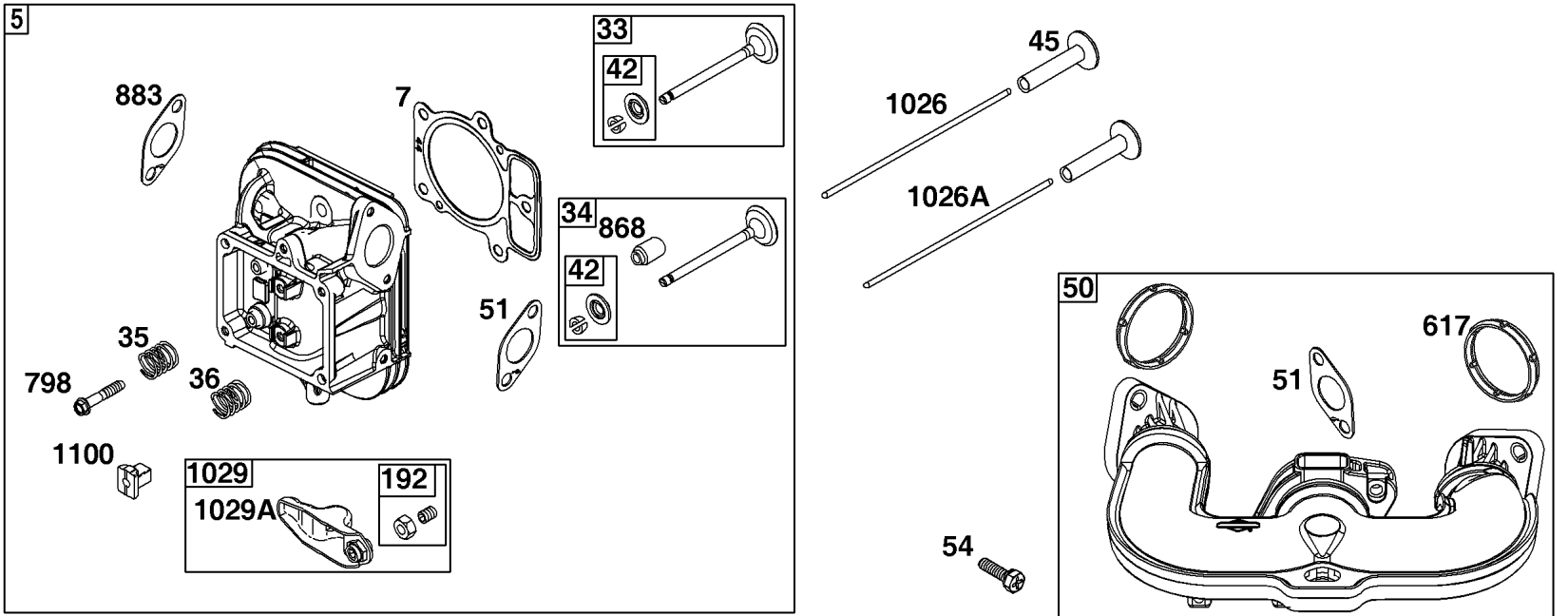
## Cylinder Group

---

REF NO	PART NO	QTY	DESCRIPTION
1263	594166	1	REED, Breather
1264	594165	1	SCREW -(Breather Reed)

---

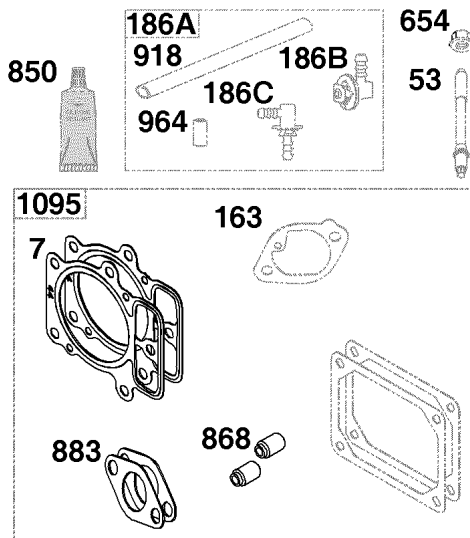
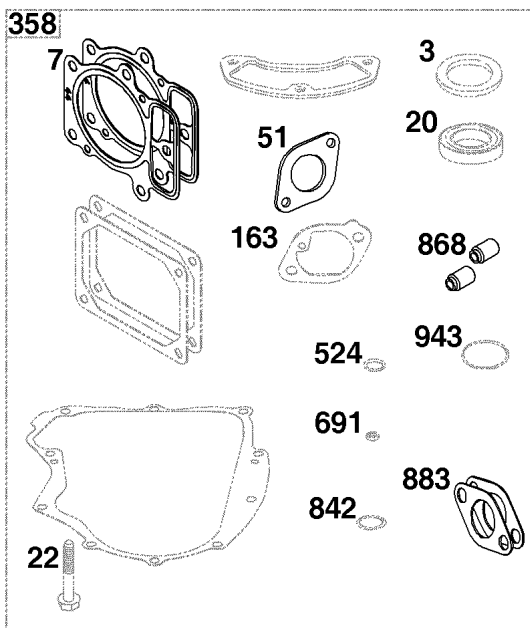
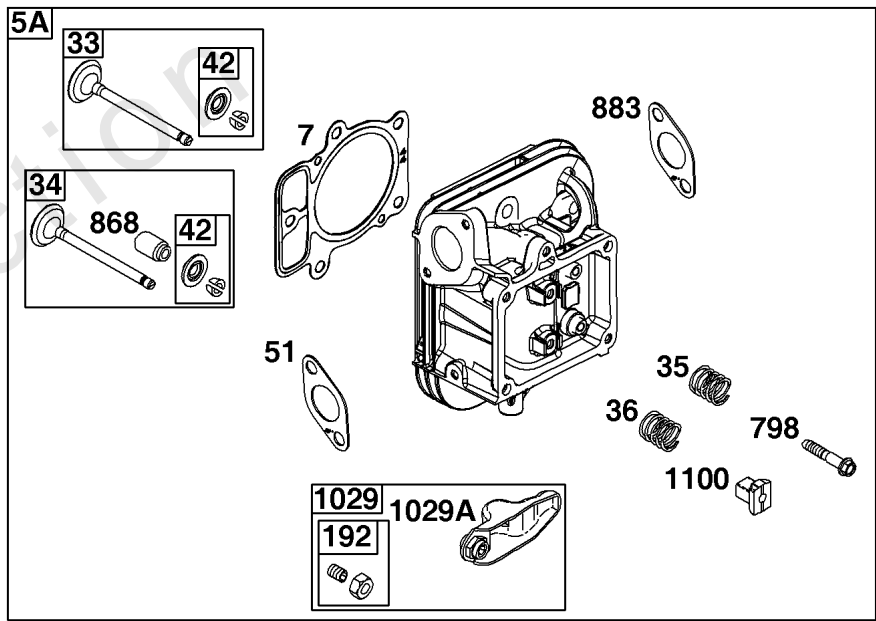
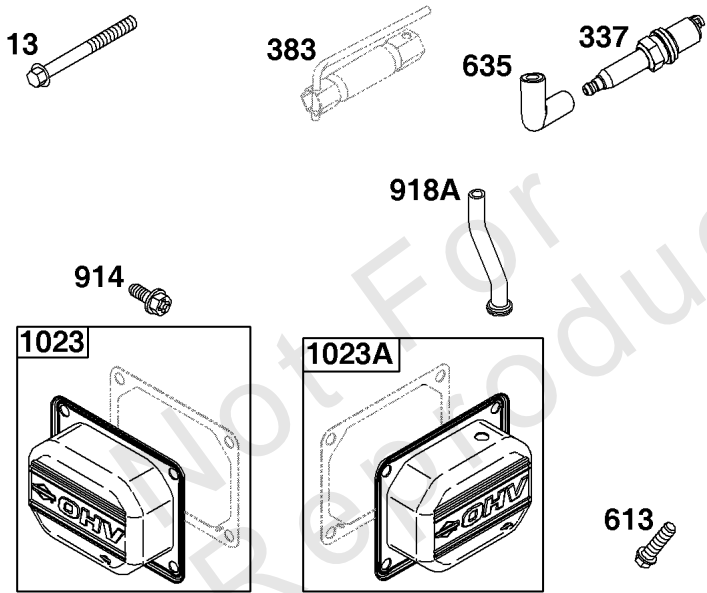
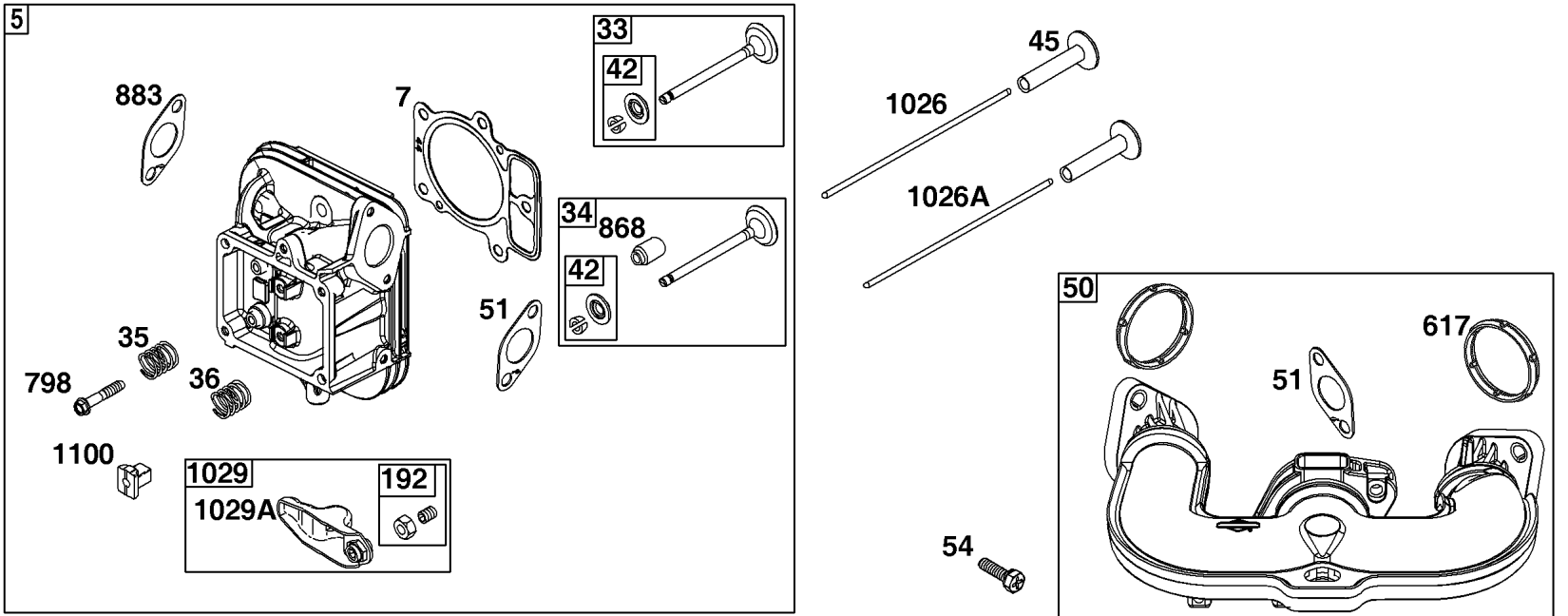
Not For Reproduction





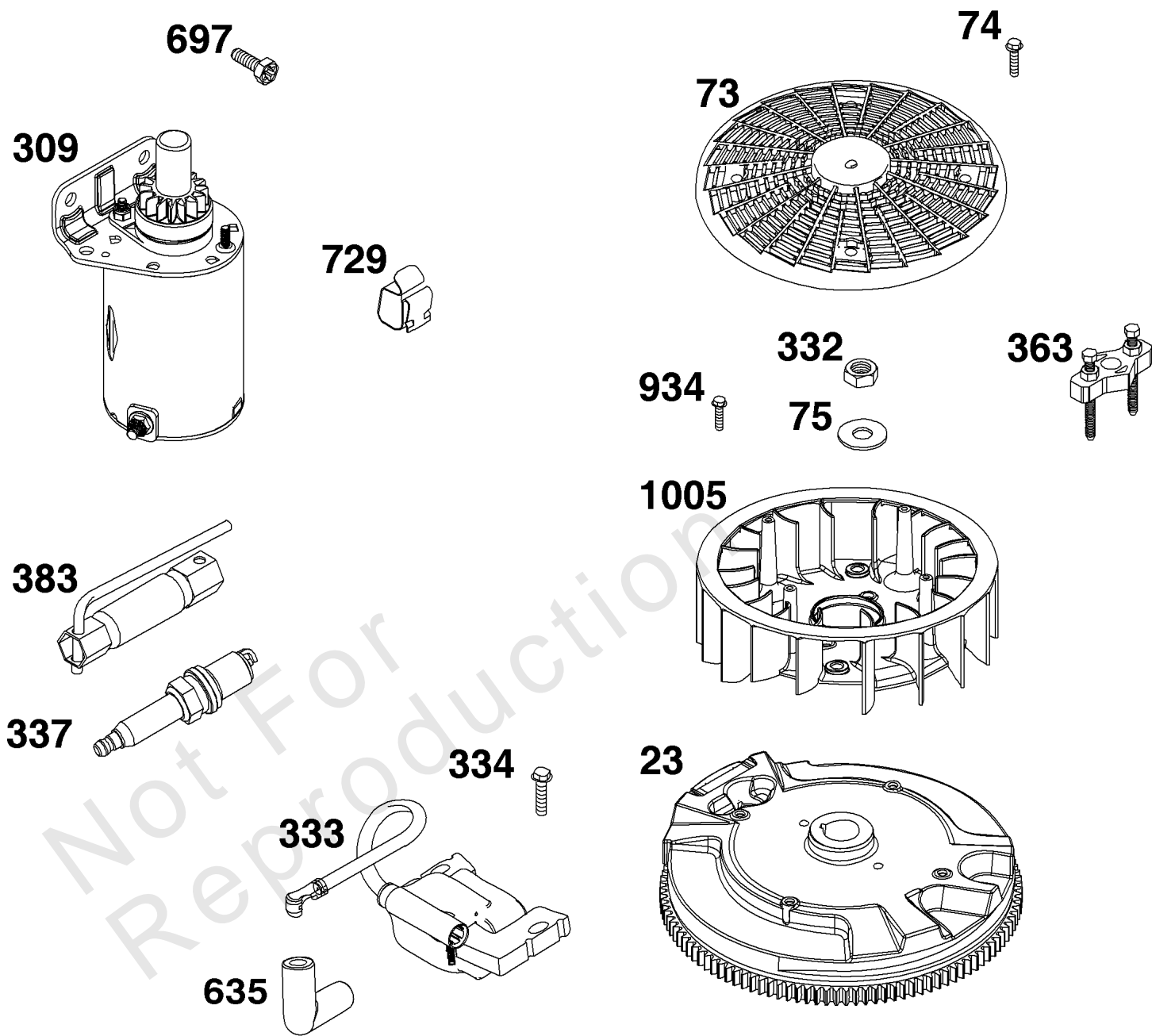
## Cylinder Head Group

REF NO	PART NO	QTY	DESCRIPTION
3	-----	1	SEAL, Oil -(Part information located in Cylinder Group.)
5	597136	1	HEAD, Cylinder
5A	597137	1	HEAD, Cylinder
7	693997	2	GASKET, Cylinder Head
13	592244	10	SCREW -(Cylinder Head)
20	-----	1	SEAL, Oil -(Part information located in Crankcase Cover/Sump Group.)
22	-----	10	SCREW -(Part information located in Crankcase Cover/Sump Group.)
33	793557	1	VALVE, Exhaust
34	793556	1	VALVE, Intake
35	694865	2	SPRING, Valve -(Intake)
36	694865	2	SPRING, Valve -(Exhaust)
42	499586	2	KEEPER, Valve
45	690977	4	TAPPET, Valve
50	594206	1	MANIFOLD, Intake
51	594204	1	GASKET, Intake
53	-----	2	STUD -(Part information located in Carburetor and Fuel Supply Group.)
54	699816	4	SCREW -(Intake Manifold)
163	-----	1	GASKET, Air Cleaner -(Part information located in Carburetor and Fuel Supply Group.)
186A	-----		CONNECTOR, Hose
186B	-----	1	CONNECTOR, Hose -(Part information located in Carburetor and Fuel Supply Group.)
186C	-----		CONNECTOR, Hose
192	690083	1	ADJUSTER, Rocker Arm
337	792015	2	PLUG, Spark
358	-----		GASKET SET, Engine -(Part information located in Service Parts and Tools Group.)
383	-----		WRENCH, Spark Plug -(Part information located in Service Parts and Tools Group.)
524	-----	1	SEAL, O-Ring -(Part information located in Lubrication Group.)
613	690341	4	SCREW -(Muffler) -Used After Code Date 17091700
617	594209	2	SEAL, O-Ring -(Intake Manifold)
635	692076	2	BOOT, Spark Plug
654	-----	2	NUT -(Part information located in Carburetor and Fuel Supply Group.)
691	-----		SEAL, Governor Shaft
798	697890	4	SCREW -(Rocker Arm)
842	-----	1	SEAL, O-Ring -(Part information located in Lubrication Group.)
850	-----	10.5	SEALANT, Liquid -(Part information located in Service Parts and Tools Group.)
868	690968	1	SEAL, Valve
883	690970	2	GASKET, Exhaust
914	691127	8	SCREW -(Rocker Cover)



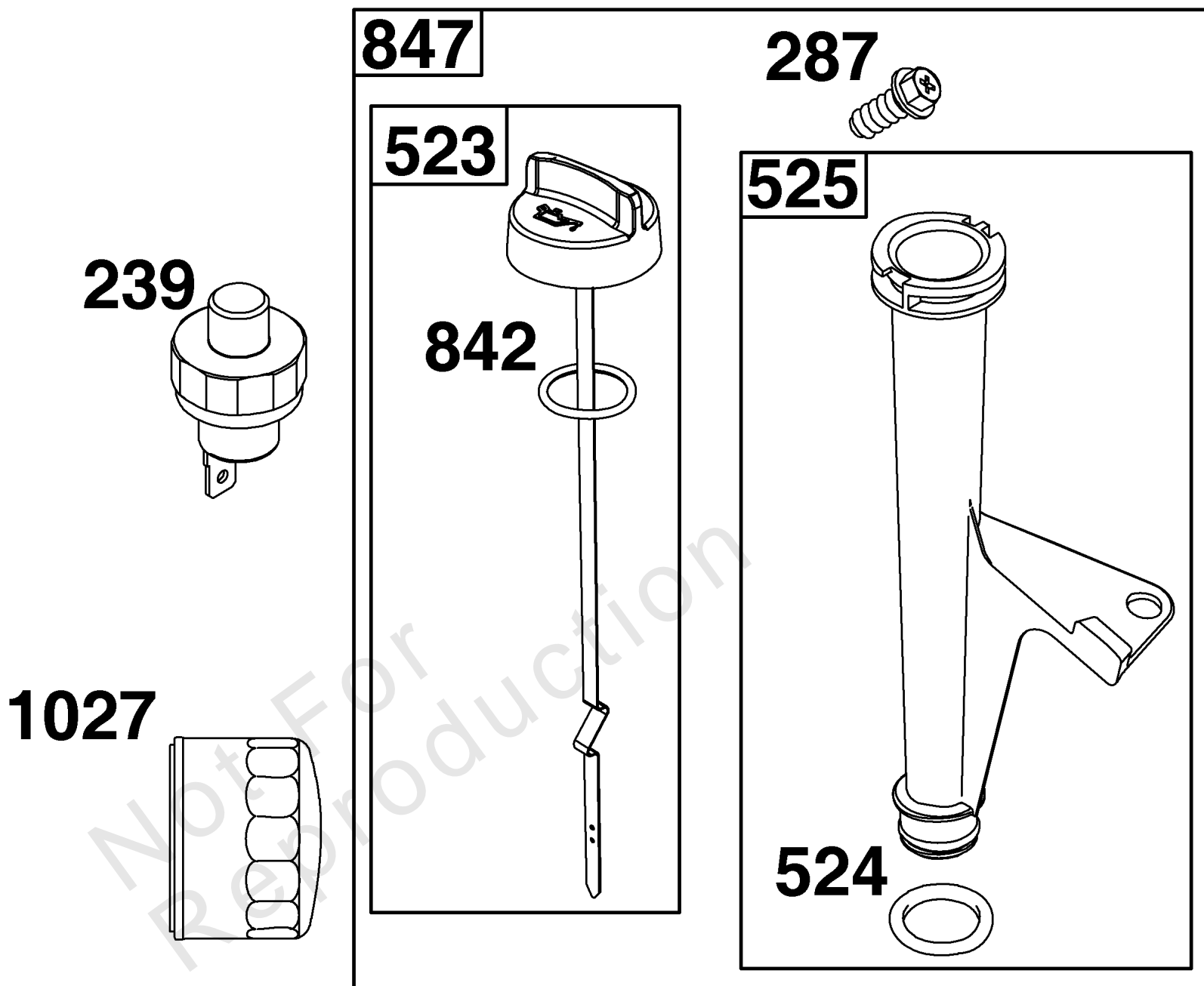
## Cylinder Head Group

REF NO	PART NO	QTY	DESCRIPTION
918	-----	1	HOSE, Vacuum -(Part information located in Carburetor and Fuel Supply Group.)
918A	596163	1	HOSE, Vacuum -Used Before Code Date 19091800
918A	593641	1	HOSE, Vacuum -Used After Code Date 19091700
943	-----	1	SEAL, O-Ring -(Part information located in Crankcase Cover/Sump Group.)
964	-----	1	CAP, Connector -(Part information located in Blower Housing and Air Cleaner Group.)
1023	499600	1	COVER, Rocker
1023A	793146	1	COVER, Rocker
1026	690981	2	ROD, Push -(Steel)
1026A	690982	2	ROD, Push -(Aluminum)
1029	690972	4	ARM, Rocker
1029A	807323	1	ARM, Rocker
1095	-----		GASKET SET, Valve -(Part information located in Service Parts and Tools Group.)
1100	791959	4	PIVOT, Rocker Arm



## ***Flywheel, Ignition, and Starter Group***

<b>REF NO</b>	<b>PART NO</b>	<b>QTY</b>	<b>DESCRIPTION</b>
23	594169	1	FLYWHEEL
73	494439	1	SCREEN, Rotating
74	698425	4	SCREW -(Rotating Screen)
75	691056	1	WASHER -(Flywheel)
309	590476	1	MOTOR, Starter
332	691059	1	NUT -(Flywheel)
333	592846	2	ARMATURE, Magneto
334	691061	3	SCREW -(Magneto Armature)
337	-----	2	PLUG, Spark -(Part information located in Cylinder Head Group.)
363	19203	1	PULLER, Flywheel
383	-----	1	WRENCH, Spark Plug -(Part information located in Cylinder Head Group.)
635	-----	2	BOOT, Spark Plug -(Part information located in Cylinder Head Group.)
697	591909	2	SCREW -(Drive Cap)
729	593826	1	CLIP, Wire
934	593638	4	SCREW -(Fan Retainer)
1005	593640	1	FAN, Flywheel



## Lubrication Group

REF NO	PART NO	QTY	DESCRIPTION
239	792028	1	SWITCH, Oil Pressure
287	697820		SCREW -(Dipstick Tube)
523	594528	1	DIPSTICK
524	691032	1	SEAL, O-Ring -(Dipstick Tube)
525	691037	1	TUBE, Dipstick
842	691031	1	SEAL, O-Ring -(Dipstick Cap)
847	594609	1	DIPSTICK/TUBE ASSEMBLY
1027	696854	1	FILTER, Oil

Not For Reproduction

## Replacement Engine - US & Canada

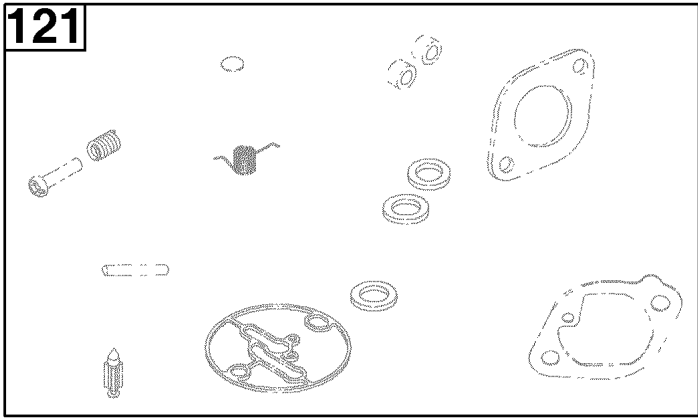
---

REF NO	PART NO	QTY	DESCRIPTION
	797093	1	SB MODEL 44Q7

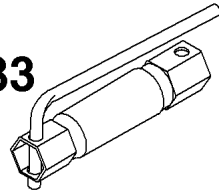
---

Not For Reproduction

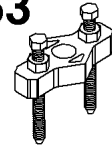




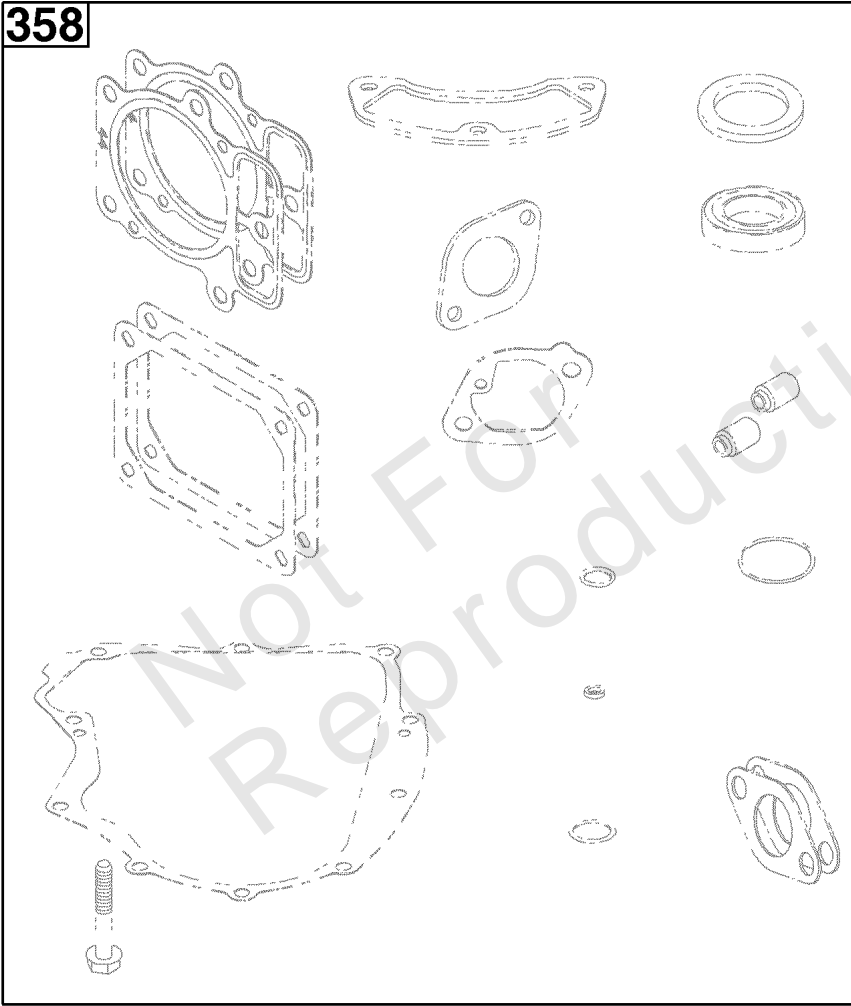
383



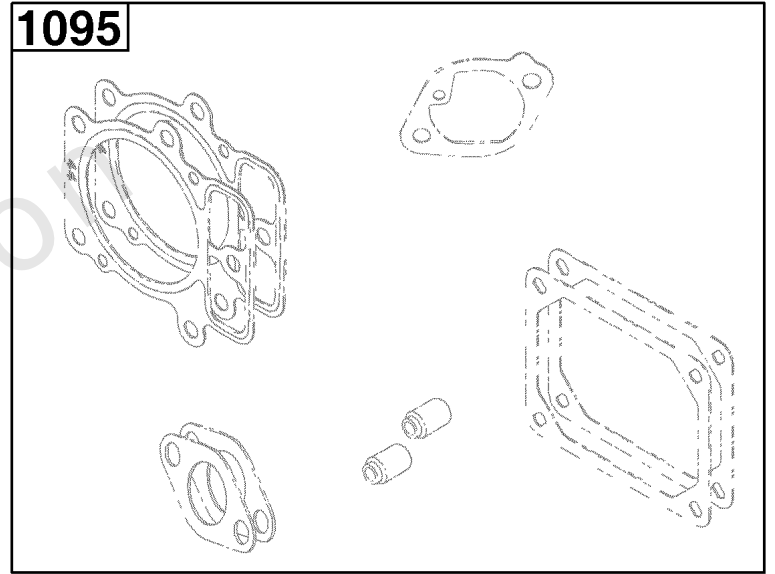
363



850



1095



## Service Parts and Tools Group

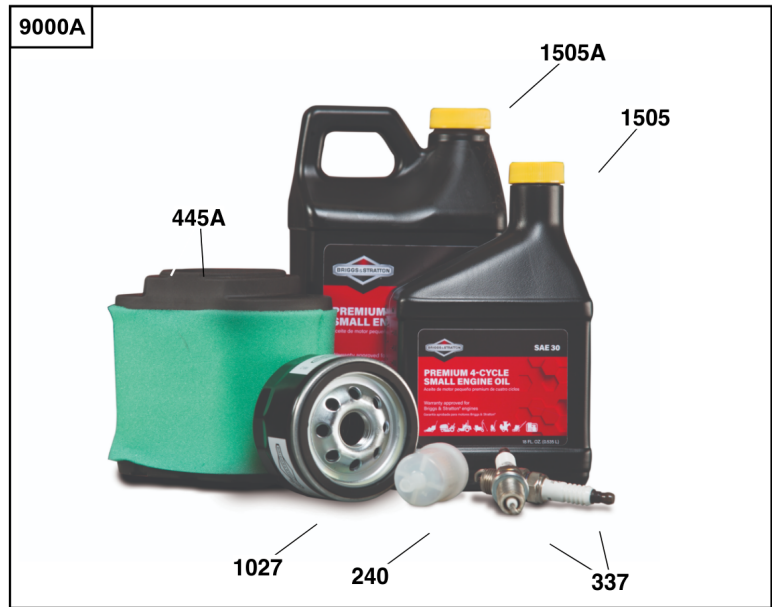
REF NO	PART NO	QTY	DESCRIPTION
121	594212	1	KIT, Carburetor Overhaul -(Service Kits may include extra parts not specific to this engine.)
358	594213	1	GASKET SET, Engine -(Service Kits may include extra parts not specific to this engine.)
363	19203	1	PULLER, Flywheel
383	19576S	1	WRENCH, Spark Plug
850	100106		SEALANT, Liquid
1095	594214	1	GASKET SET, Valve -(Service Kits may include extra parts not specific to this engine.)

Not For Reproduction



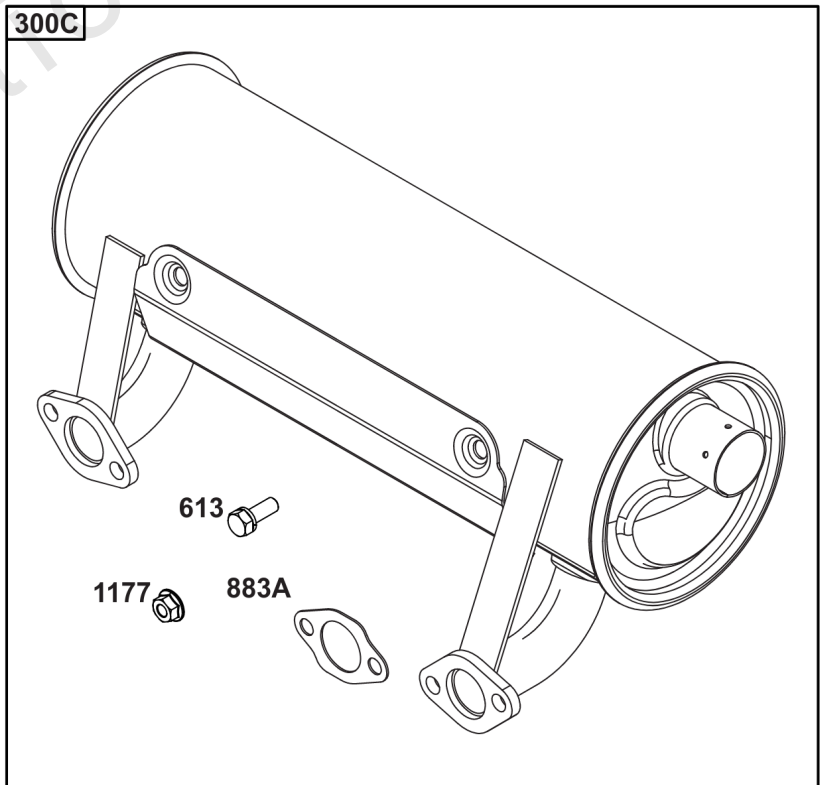
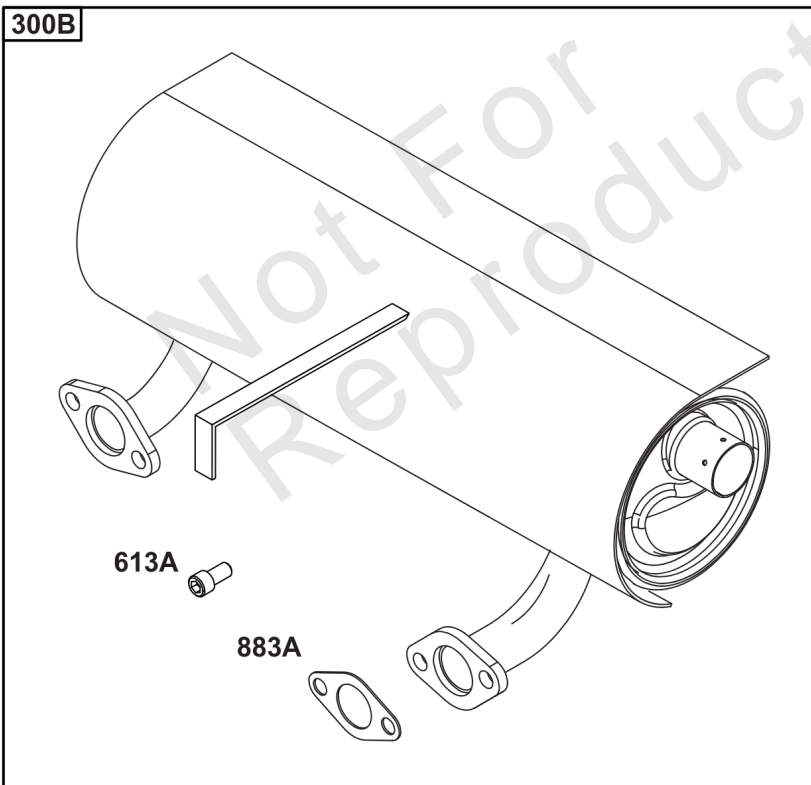
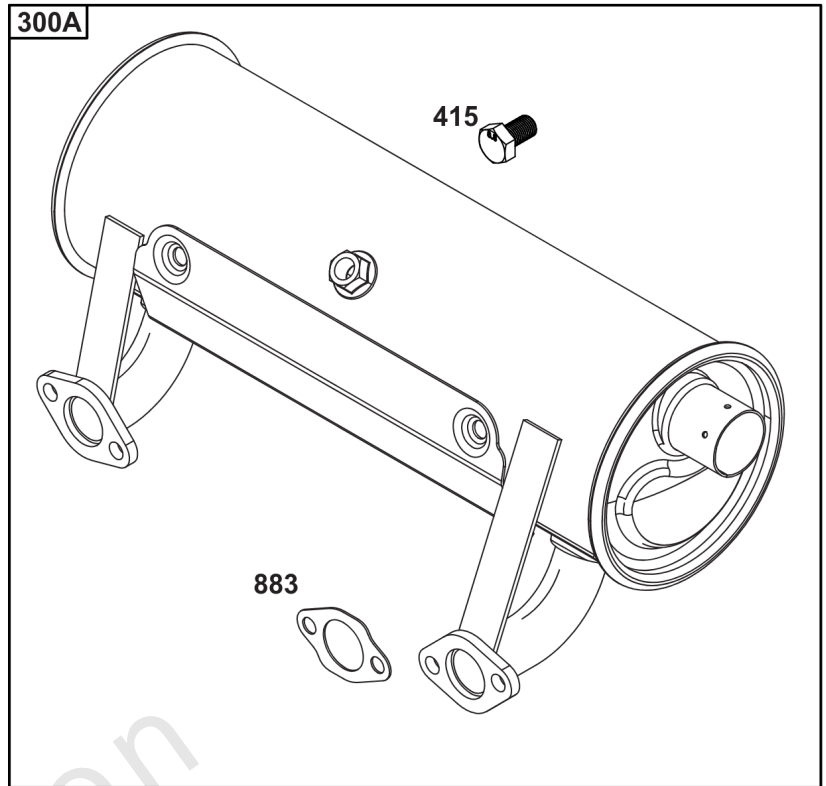
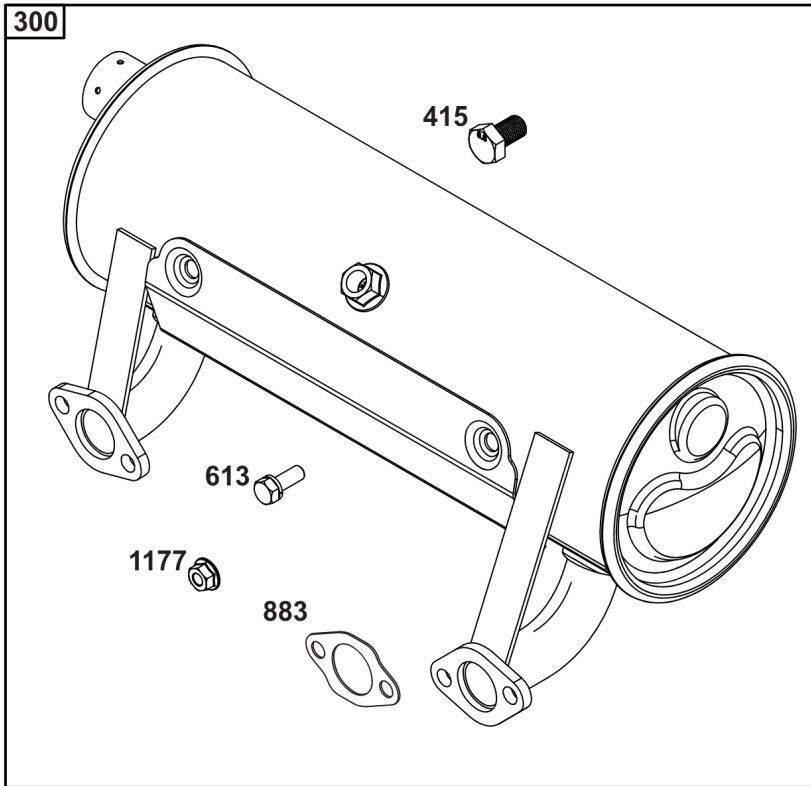
# Model 40, 44 & 49 Engine Accessories Catalog

Not For  
Reproduction



## Maintenance Kits

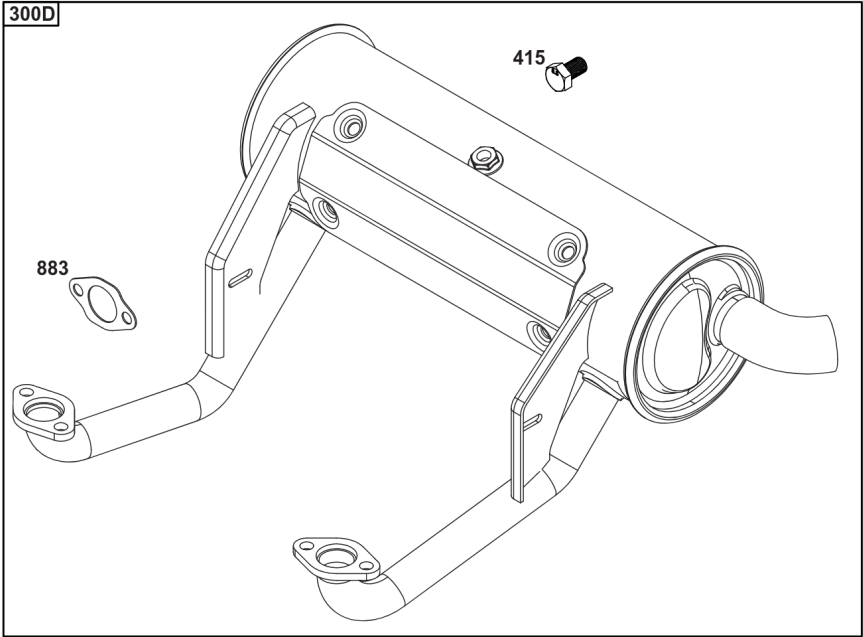
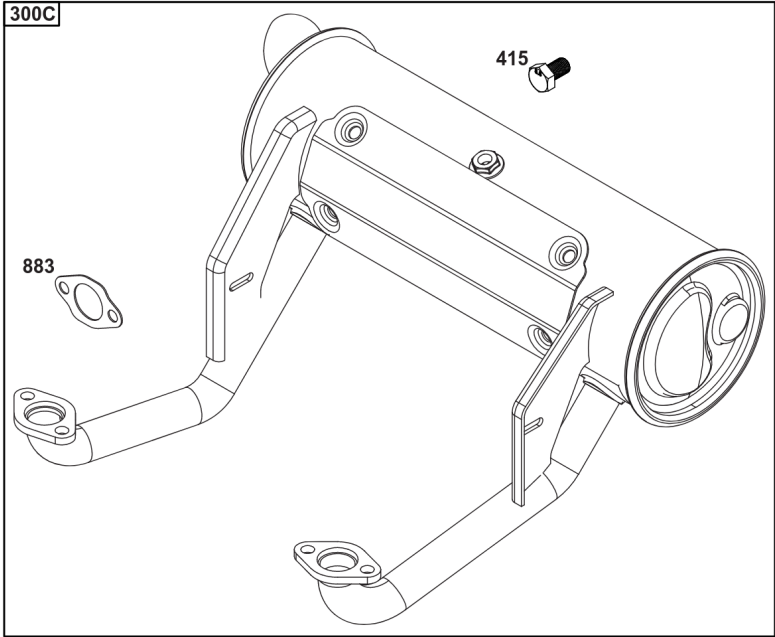
REF NO	PART NO	QTY	DESCRIPTION
9000	84002442		KIT, Maintenance -(Intek / EXi V-Twin Engines) (Do not use with Home Standby Generators.)
9000A	84002317		KIT, Maintenance -(Professional Series™ V-Twin Engines) (Do not use with Home Standby Generators.)
9000B	84002316		KIT, Maintenance -(Commercial Series V-Twin Engines) (Do not use with Home Standby Generators.)
9000C	84002318		KIT, Maintenance -(Oil Guard™ Engines) (Do not use with Home Standby Generators.)
9000D	84002315		KIT, Maintenance -(Non-Oil Guard™ Engines) (Do not use with Home Standby Generators.)
240	84001895	1	FILTER, Fuel -(40 Micron)
240A	845125	1	FILTER, Fuel -(20 Micron)
337	491055S	2	PLUG, Spark
445	594201	1	FILTER, A/C Cartridge
445A	792105	1	FILTER, A/C Cartridge
445B	798897	1	FILTER, A/C Cartridge
445C	841497	1	FILTER, A/C Cartridge
967	797704	1	FILTER, Pre Cleaner
1027	492932S	1	FILTER, Oil -(Standard)
1027A	696854	1	FILTER, Oil -(Premium)
1027B	842921	1	FILTER, Oil -(Vanguard®)
1027C	84007094	1	FILTER, OIL -(Oil Guard™)
1505	100005		OIL-4 CYCLE 30W 18OZ. -(18 oz. Bottle)
1505A	100028		OIL-4 CYCLE30W 48OZ -(48 oz. Bottle)
1505B	100170		OIL-5QT VANGUARD (CASE) -(5 qt. Bottle)
1505C	100169		OIL-1QT VANGUARD (CASE) -(1 qt. Bottle)



## Engine Mounted Below Deck Mufflers

REF NO	PART NO	QTY	DESCRIPTION
300	594584	1	KIT-MUFFLER/GUARD -(Oil Filter Side Outlet) (Engine Supported) (O2 Sensor Port)
300A	593877	1	MUFFLER -(Starter Side Outlet) (Engine Supported) (O2 Sensor Port)
300B	594583	1	MUFFLER -(Starter Side Outlet) (Engine Supported) (No O2 Sensor Port)
300C	692120	1	MUFFLER -(Starter Side Outlet) (No O2 Sensor Port)
415	596859	1	PLUG -(O2 Sensor Port)
613	690341	4	SCREW -(Muffler)
613A	690363	4	SCREW -(Muffler)
883	594365	2	GASKET, Exhaust
883A	690970	2	GASKET, Exhaust
1177	690941	4	NUT -(Muffler)

Not For Reproduction



Not For  
Reproduction

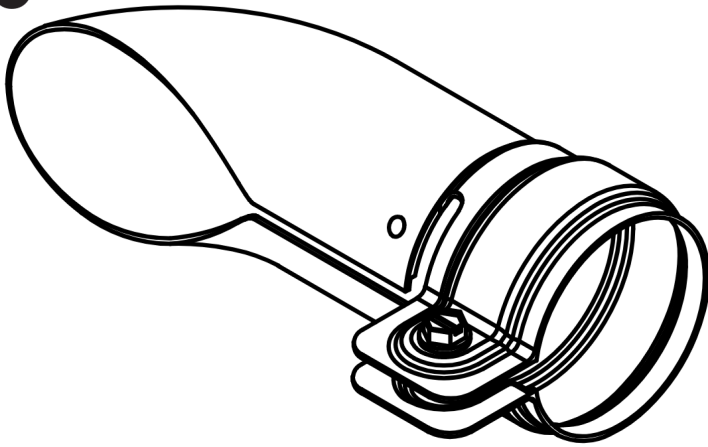


## ***Engine Mounted Above Deck Mufflers***

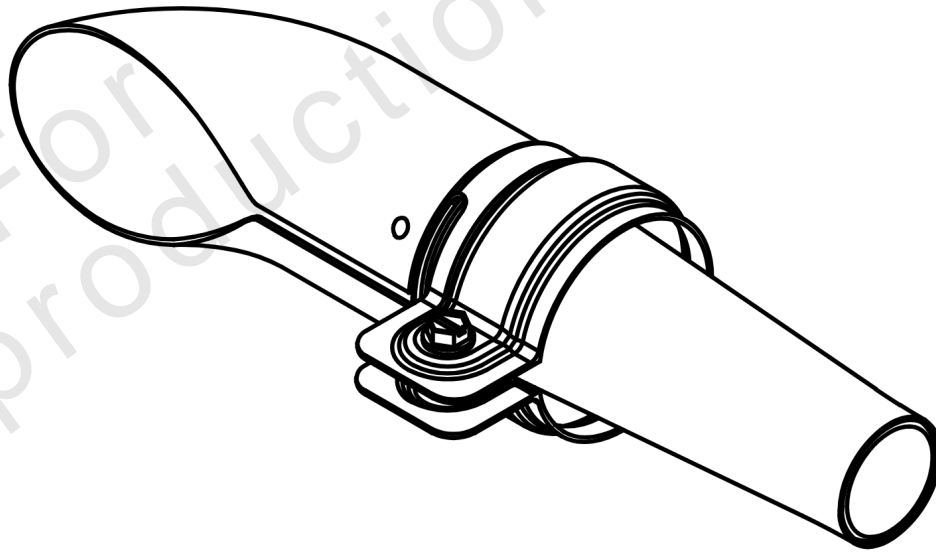
<b>REF NO</b>	<b>PART NO</b>	<b>QTY</b>	<b>DESCRIPTION</b>
300C	595138	1	MUFFLER -(Oil Filter Side Outlet) (Self-Supporting) (O2 Sensor Port)
300D	595139	1	MUFFLER -(Starter Side Outlet) (Self-Supporting) (O2 Sensor Port)
415	596859	1	PLUG -(O2 Sensor Port)
883	594365	2	GASKET, Exhaust

Not For Reproduction

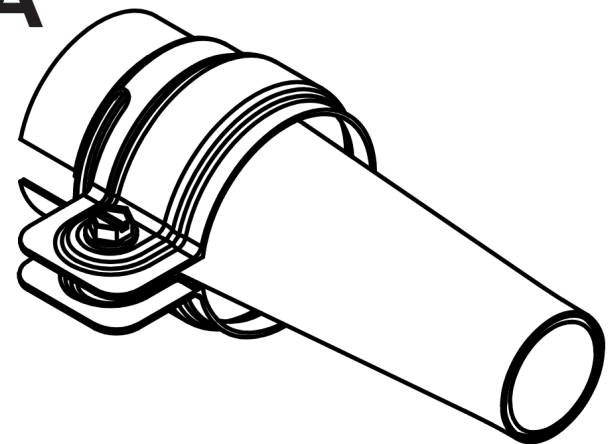
**676**



**994**



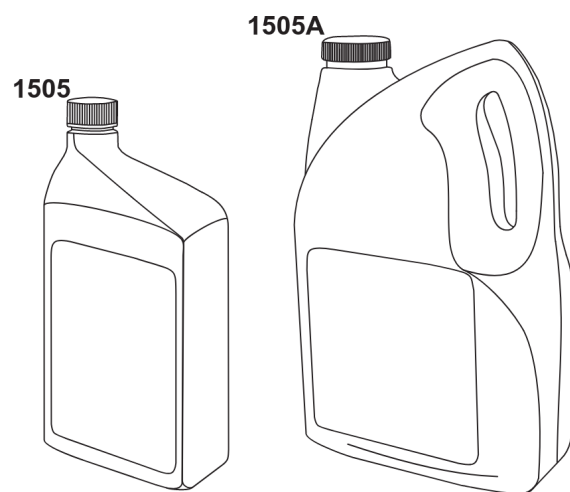
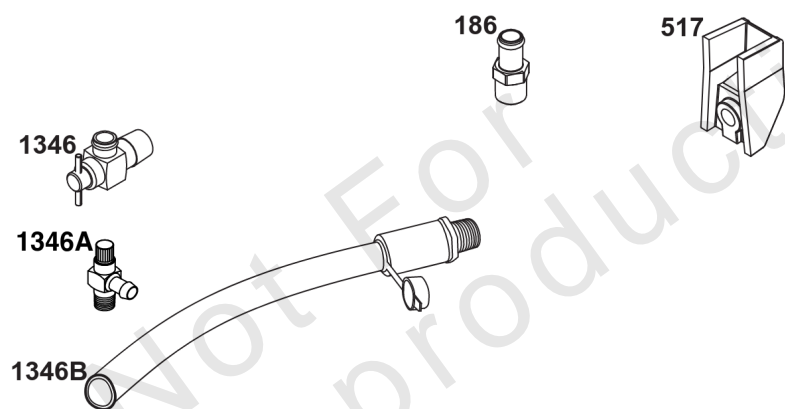
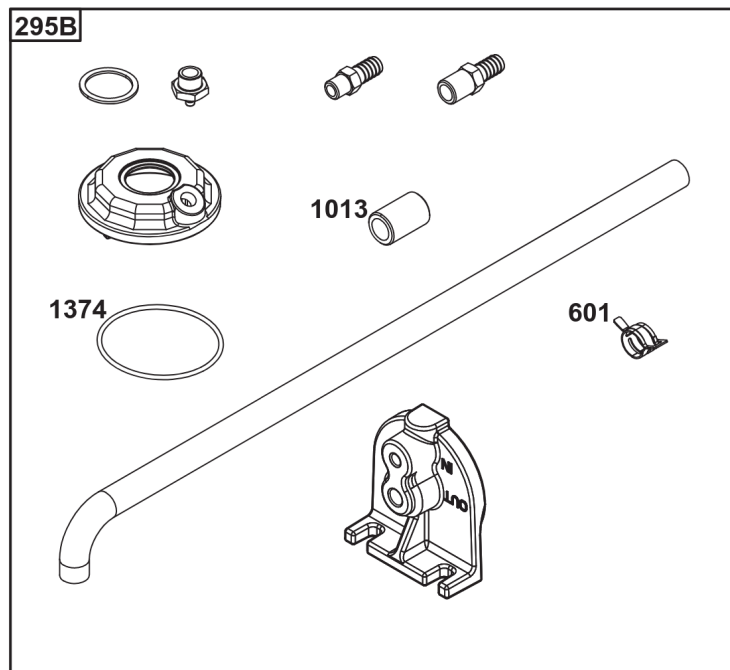
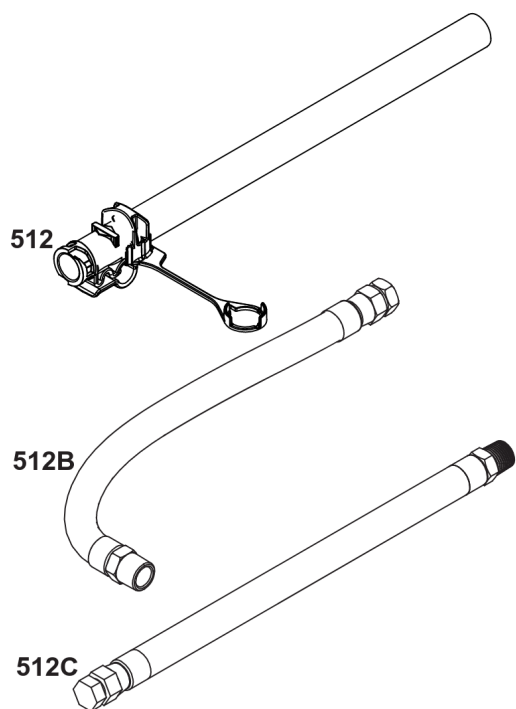
**994A**



## Spark Arrester/Deflector

REF NO	PART NO	QTY	DESCRIPTION
676	593869	1	DEFLECTOR, Muffler -(For Below Deck Mufflers Only)
994	593885	1	ARRESTOR, Spark -(For Below Deck Mufflers Only)
994A	593868	1	ARRESTOR, Spark -(For Below Deck Mufflers Only)

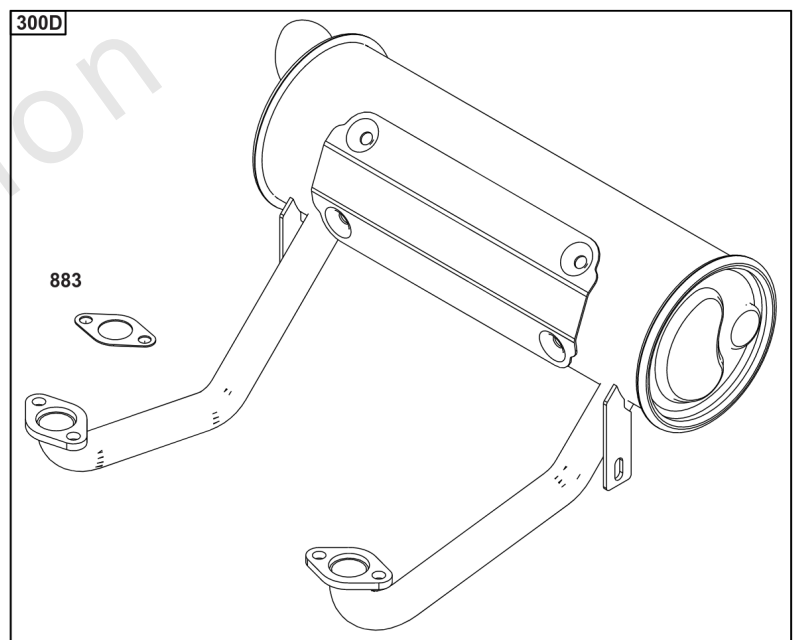
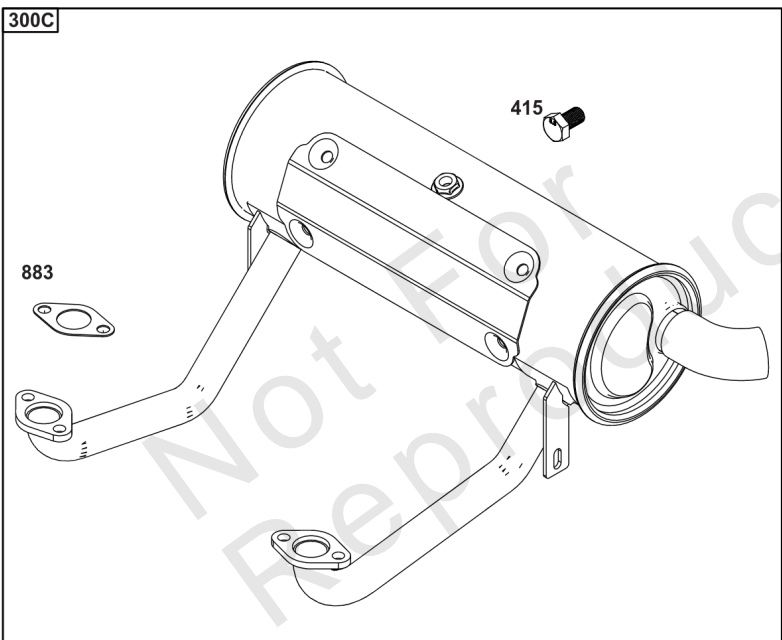
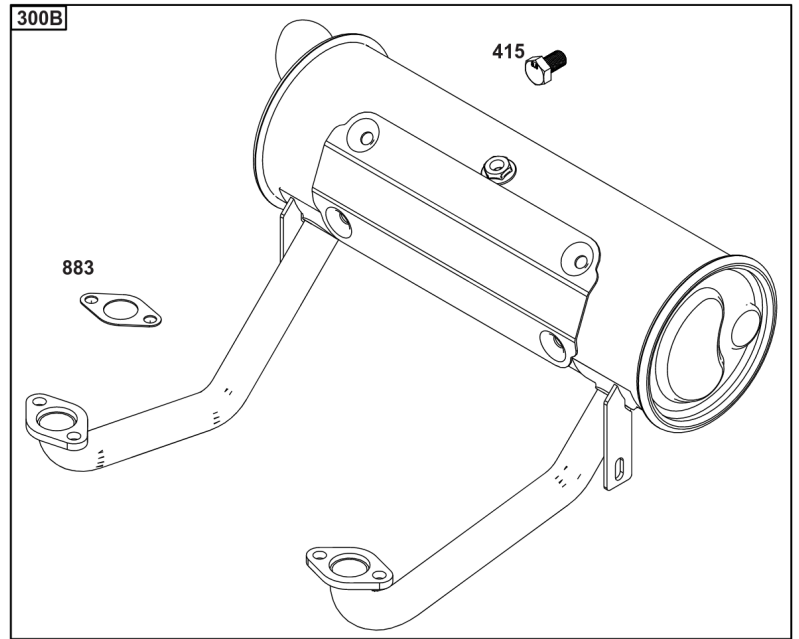
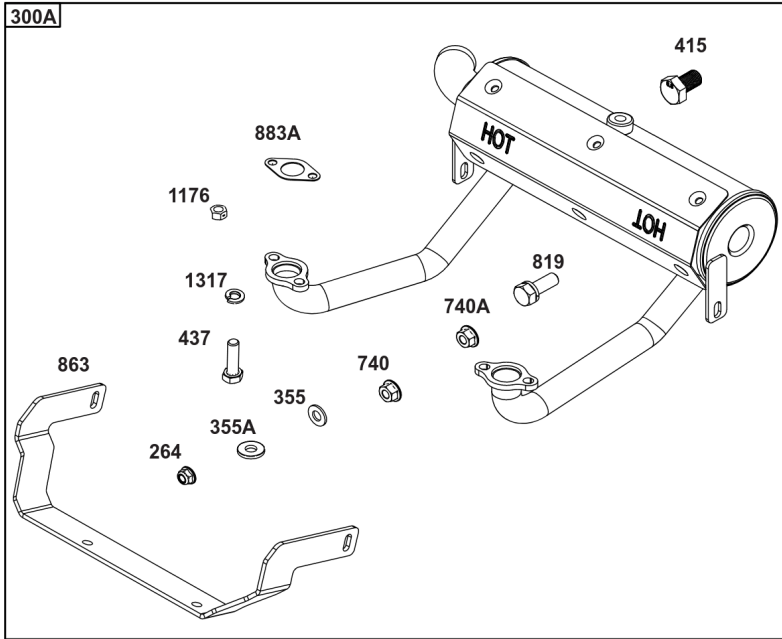
Not For Reproduction



## Lubrication

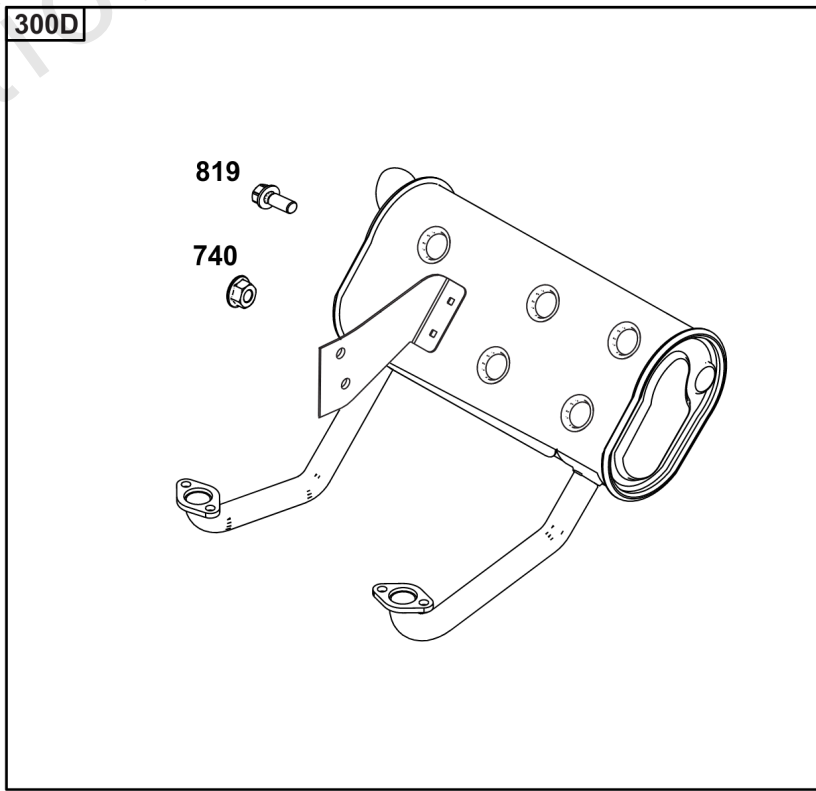
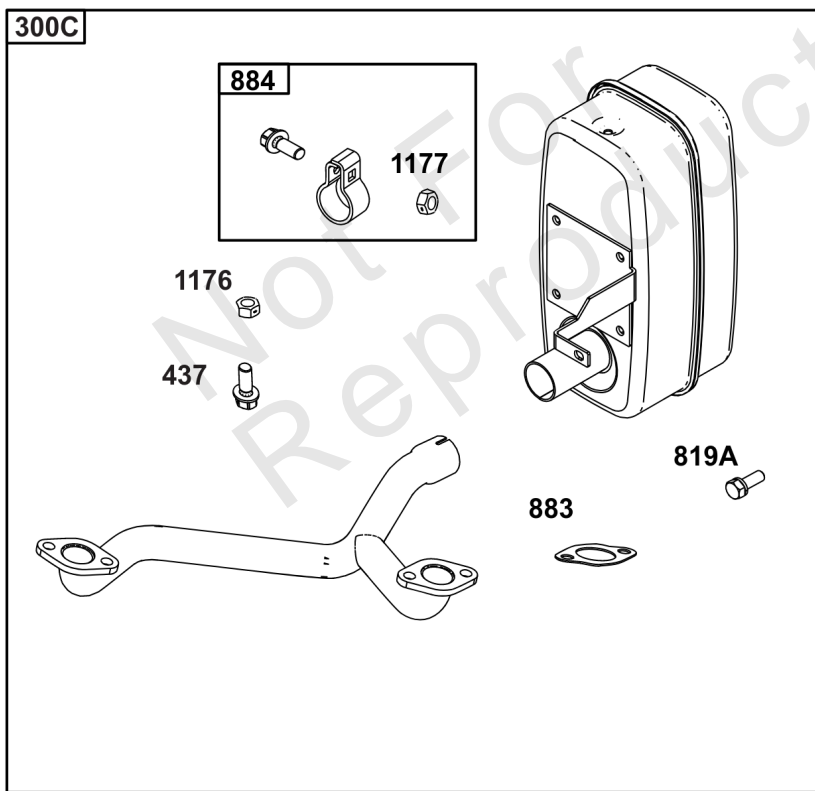
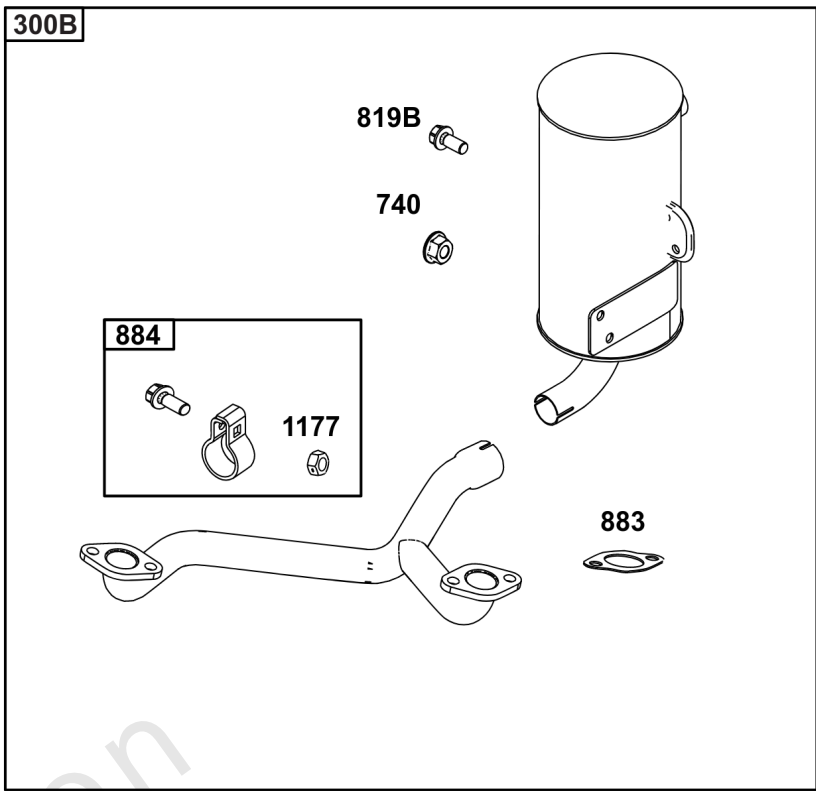
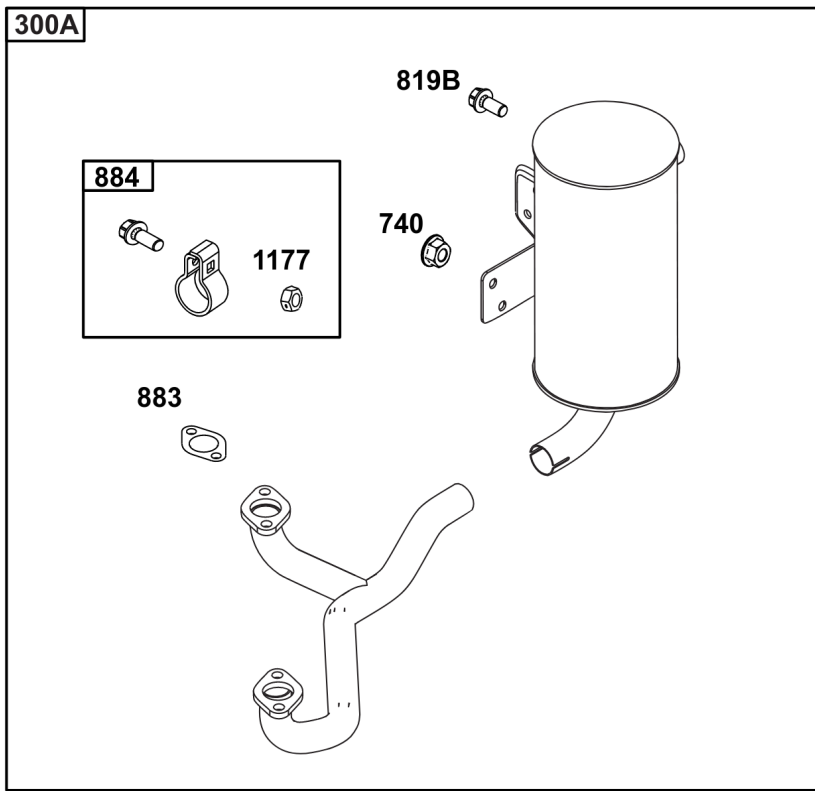
REF NO	PART NO	QTY	DESCRIPTION
186	796532	1	CONNECTOR, Hose -(Threaded Engine Block Connector for EZ-Oil Drain Hose) (Order hose separate)
239	690233	1	SWITCH, Oil Pressure -(2-4 PSI Normally-Closed Switch)
239A	491657S	1	SWITCH, Oil Pressure -(3-5 PSI Normally-Closed Switch)
239B	841281	1	SWITCH, Oil Pressure -(7-10 PSI Normally-Closed Switch)
239C	694115	1	SWITCH, Oil Pressure -(9-13 PSI Normally-Closed Switch)
239D	697049	1	SWITCH, Oil Pressure -(3-6 PSI Normally-Open Switch)
295B	594271	1	ADAPTER, Remote Oil Filter -(Remote Oil Filter Kit)
512	594200	1	HOSE, Oil Drain -(EZ-Oil Drain Hose, 10.5") (Order threaded engine block connector separate)
512	593635	1	HOSE, Oil Drain -(EZ-Oil Drain Hose, 13.75") (Order threaded engine block connector separate)
512B	1723165SM	1	HOSE, Oil Drain, 10-1/2" Long, 3/8-18 Fittings -(10.5")
512C	5048681SM	1	HOSE, OIL DRAIN -(12.5")
517	593633	1	RETAINER, Oil Drain
601	841597	4	CLAMP, Hose
1013	690954	1	NIPPLE, Oil Filter
1346	844802	1	VALVE, Oil Drain Shut Off
1346A	492031	1	VALVE, Oil Drain Shut Off
1346B	5401WEB	1	VALVE, Oil Drain Shut Off -(1/4 Turn Oil Drain Valve with Hose)
1374	796863	1	SEAL, O-Ring
1505	100169		OIL-1QT VANGUARD (CASE) -(1 qt. Bottle)
1505A	100170		OIL-5QT VANGUARD (CASE) -(5 qt. Bottle)

# Implement Mounted Above Deck Mufflers



## Implement Mounted Above Deck Mufflers

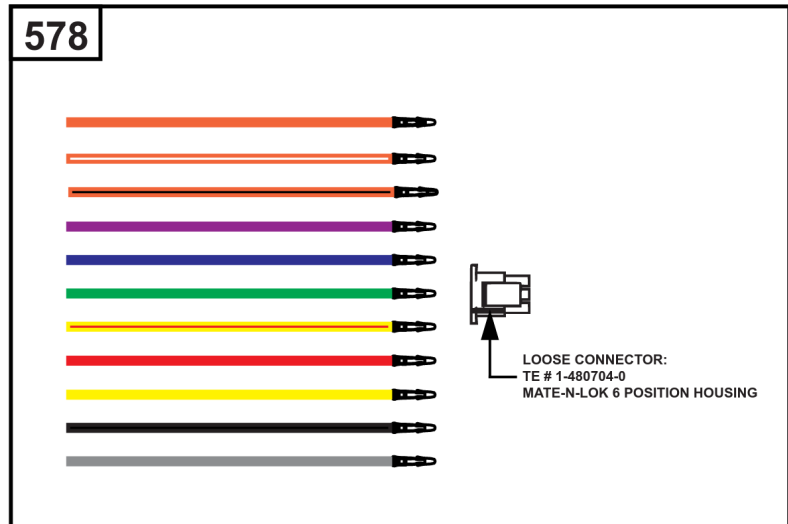
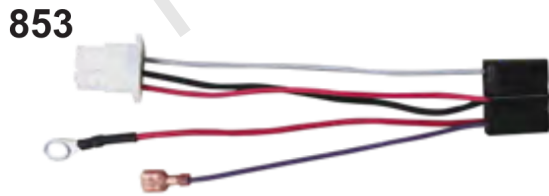
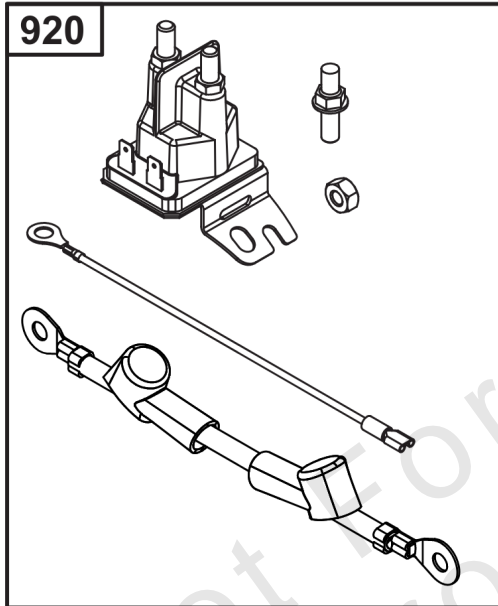
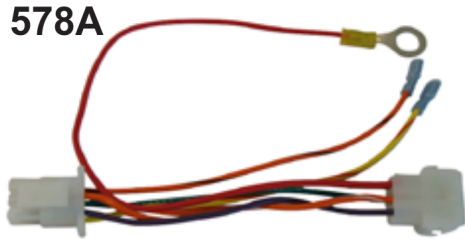
REF NO	PART NO	QTY	DESCRIPTION
300A	594585	1	MUFFLER -(Oil Filter Side Outlet) (Implement Supported) (O2 Sensor Port)
300B	595134	1	MUFFLER -(Oil Filter Side Outlet) (O2 Sensor Port)
300C	595135	1	MUFFLER -(Starter Side Outlet) (O2 Sensor Port)
300D	595136	1	MUFFLER -(Oil Filter Side Outlet)
264	703465	4	NUT, 5/16-18, GR5 -(Muffler Adapter)
355	5025292SM	4	WASHER, 5/16" GD.9 FL -(Muffler Bracket)
355A	5025155SM	2	WASHER, 5/16 -(Muffler Bracket)
415	596859	1	PLUG -(O2 Sensor Port)
437	703585	4	CAPSCREW, 5/16-18X1 -(Exhaust Manifold)
740	703164	2	NUT -(Muffler Bracket)
740A	703115	2	NUT -(Muffler Bracket)
819	690341	4	SCREW -(Muffler Bracket)
863	597480	1	BRACKET, Muffler
883	594365	2	GASKET, Exhaust
883A	690970	2	GASKET, Exhaust
1176	690941	4	NUT -(Exhaust Manifold)
1317	703116	4	LCKWSHR -(Exhaust Manifold)





## Exhaust/Muffler Configurations

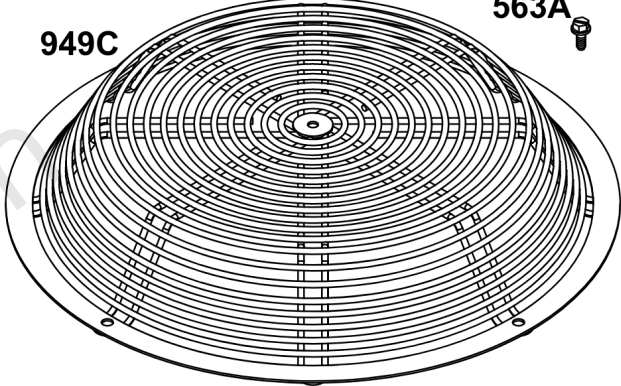
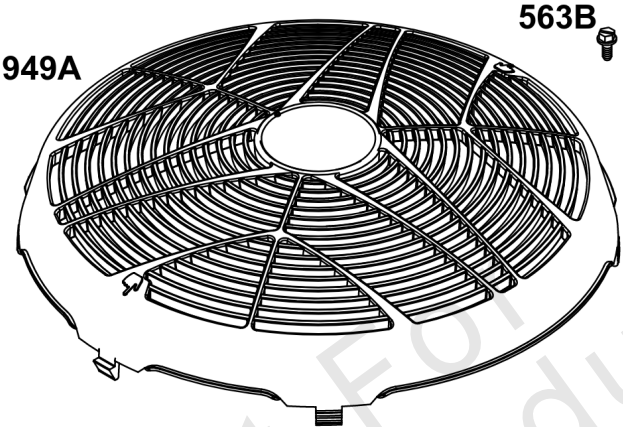
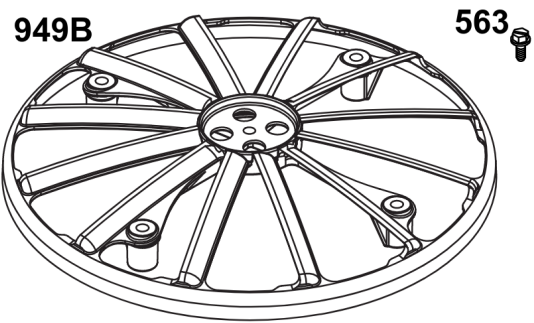
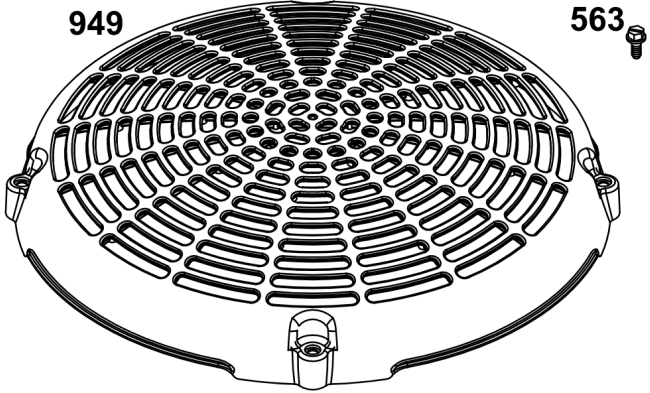
REF NO	PART NO	QTY	DESCRIPTION
300A	771127	1	MUFFLER -(Oil Filter Side Outlet)(Commercial & Professional Series)
300B	771128	1	MUFFLER -(Starter Side Outlet)(Commercial & Professional Series)
300C	595822	1	MUFFLER -(Starter Side Outlet)(Commercial & Professional Series)
300D	84003680	1	MUFFLER -(Oil Filter Side Outlet) (Commercial & Professional Series)(Vanguard 810 & 810 EFI) (Compatible with 593868 Spark Arrester, 593885 Spark Arrester with Deflector.) (Equipped with plug for blocking off O2 sensor port for non EFI engines.)
437	690341	4	SCREW -(Exhaust Manifold)
740	704067	2	NUT, HEX FLNG,5/16-18 -(Muffler Bracket)
819	592604	2	SCREW -(Muffler Bracket)
819A	695629	4	SCREW -(Muffler Bracket)
819B	692062	2	SCREW -(Muffler Bracket)
883	594365	2	GASKET, Exhaust
884	691956	1	CLAMP, Muffler
1176	690941	4	NUT -(Exhaust Manifold)
1177	793859	1	NUT -(Muffler)



## Electrical

REF NO	PART NO	QTY	DESCRIPTION
578	84007350	1	WIRE ASSEMBLY -(Wire Harness Adapter Aids in repowering engine application with Male 6-Pin connector and wires create custom adapter configurations.)
578A	19631	1	TOOL, CUSTOM HARNESS -(6-pin Wire Harness Adapter) (Aids in repowering engine application to an EFI engine)
853	84003359	1	ADAPTER, WIRE -(Wire Harness Adapter) (Aids in repowering ExMark) (Flat 6-spade connector to Briggs & Stratton 6-Pin connector)
920	84002147	1	SOLENOID, STARTER -(Starter Solenoid Kit) (Aids in Repowering when original is solenoid shift)
983	5103809YP	1	LIGHT, Indicator -(MIL Light Indicator) (LED Red)
1616	19626	1	CODE READER -(Tiny Scan Code Reader)

Not For Reproduction

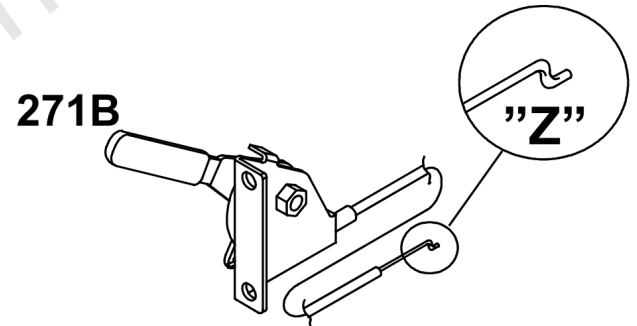
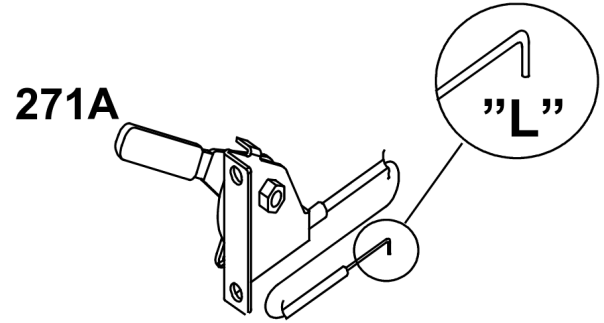
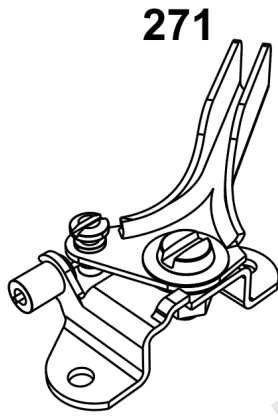
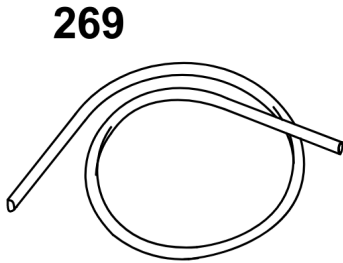
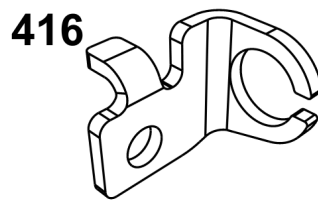
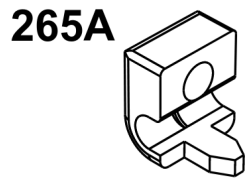
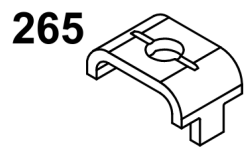


Not For  
Reproduction

## ***Flywheel Guards***

<b>REF NO</b>	<b>PART NO</b>	<b>QTY</b>	<b>DESCRIPTION</b>
563	799360	1	SCREW -(Debris Screen Guard)
563A	597574	1	SCREW -(Debris Screen Guard)
563B	799359	1	SCREW -(Debris Screen Guard)
949	799357	1	GUARD, Debris Screen -(Static Cover Flywheel) (Requires 4 x 799360 Screw)
949A	797420YP	1	GUARD, Debris Screen -(Static Cover Flywheel High Flow) (Requires 4 x 799360 Screw)
949B	593206	1	GUARD, Debris Screen -(Static Cover Flywheel) (Requires 4 x 799359 Screw)
949C	597573	1	GUARD, Debris Screen -(Wire Static Flywheel Cover) (Requires 4x 597574 Screw) (For Commercial Series)

Not For Reproduction

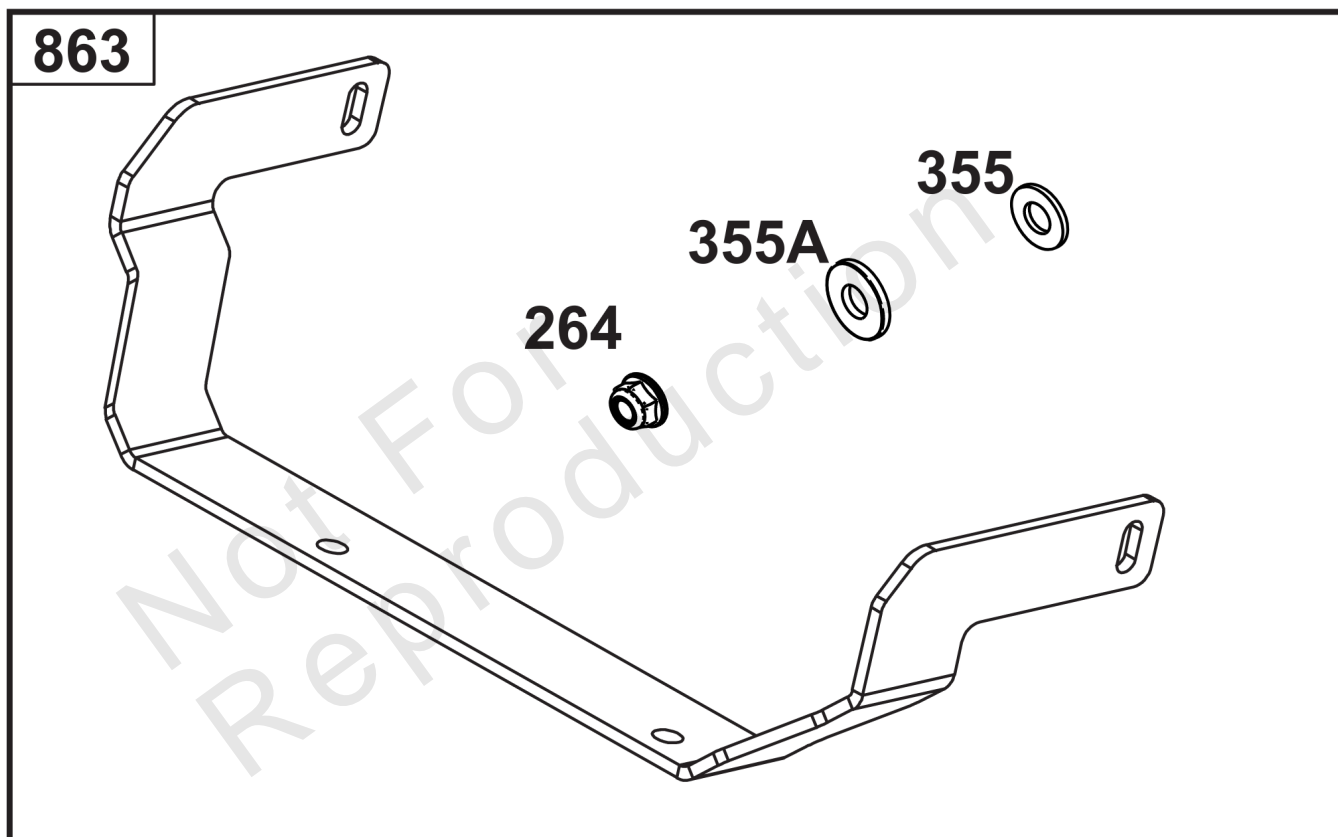
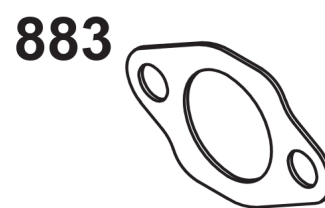


Not For  
Reproduction

## Speed Control

REF NO	PART NO	QTY	DESCRIPTION
265	691024	1	CLAMP, Casing -(Casing Clamp for Hard Casing)
265A	690798	1	CLAMP, Casing -(Casing Clamp for Soft Casing)
267	792629	1	SCREW -(Screw for Casing Clamp)
269	93907	1	WIRE, Control -(Control Wire 100')
271	691028	1	LEVER, Control -(Speed Control Lever Assembly)
271A	692105	1	LEVER, Control -("L" formed end Speed Control Lever Assembly)
271B	692541	1	LEVER, Control -("Z" formed end Speed Control Lever Assembly)
416	595196	1	BRACKET, Throttle Cable -(Casing Clamp for Snap-In Casing)

Not For Reproduction





## Muffler Mounting Hardware

REF NO	PART NO	QTY	DESCRIPTION
264	703465	4	NUT, 5/16-18, GR5 -(Muffler Adapter)
296	591756	4	STUD -(Muffler)
355	5025292SM	4	WASHER, 5/16" GD.9 FL -(Muffler Bracket)
355A	5025155SM	2	WASHER, 5/16 -(Muffler Bracket)
613	690341	4	SCREW -(Muffler)
613A	690363	4	SCREW -(Muffler)
863	597480	1	BRACKET, Muffler
883	594365	2	GASKET, Exhaust
883A	690970	2	GASKET, Exhaust
1177	690941	4	NUT -(Muffler)

Not For Reproduction

