

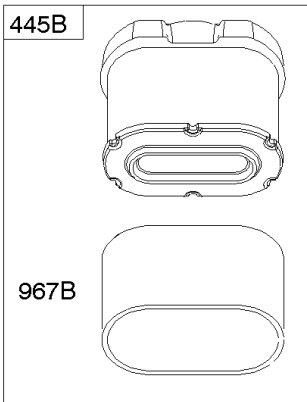
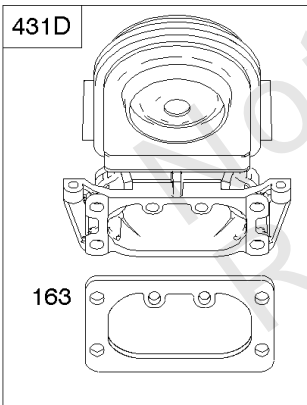
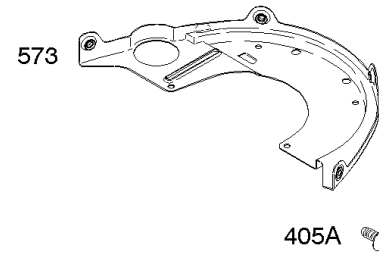
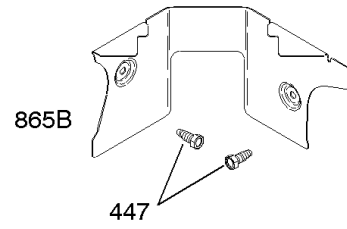
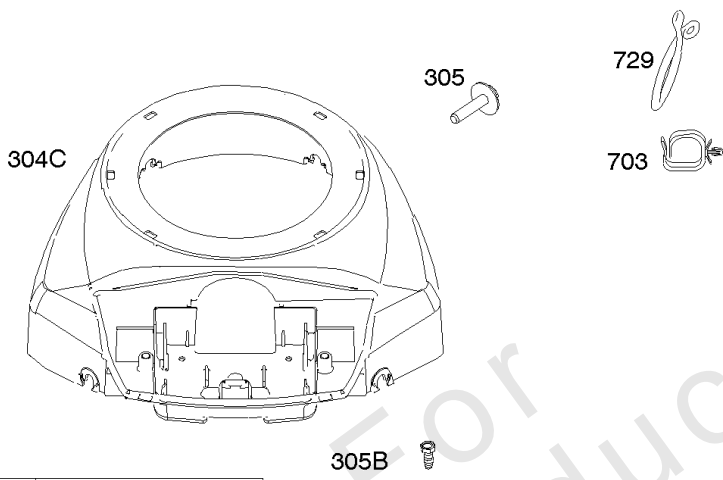
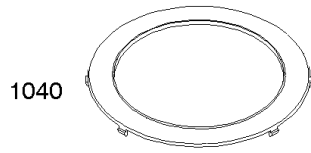
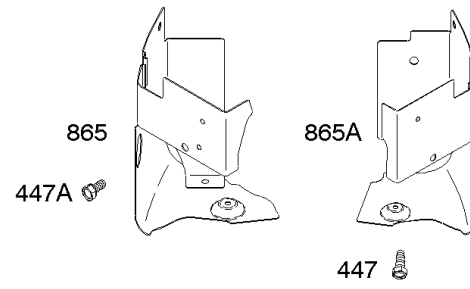
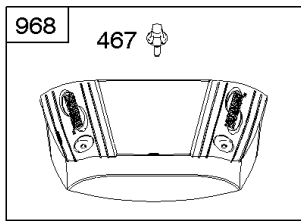


Parts Manual

Mfg. No: 44K777-0115-E1

Model Components	Page
Air Cleaner, Blower Housing/Shrouds.	4
Alternators, Ignition.	6
Camshaft, Crankshaft, Lubrication, Piston, Rings, Connecting Rod.	8
Carburetor, Exhaust System, Fuel Supply, Kit/Gasket Set-Carburetor.	10
Controls, Electric Start, Flywheel.	14
Cylinder Head, Kit/Gasket Set-Valve, Valves.	18
Cylinder, Engine Sump, Kit/Gasket Set-Engine.	22
Replacement Engine - US & Canada.	24
Model 40, 44 & 49 Engine Accessories Catalog.	25
Maintenance Kits.	26
Engine Mounted Below Deck Mufflers.	28
Engine Mounted Above Deck Mufflers.	30
Spark Arrester/Deflector.	32
Lubrication.	34
Implement Mounted Above Deck Mufflers.	36
Exhaust/Muffler Configurations.	38
Electrical.	40
Flywheel Guards.	42
Speed Control.	44
Muffler Mounting Hardware.	46

Not For
Reproduction



1036 EMISSIONS LABEL

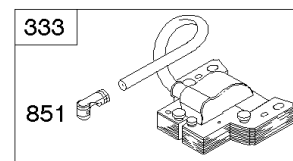
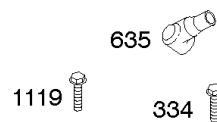
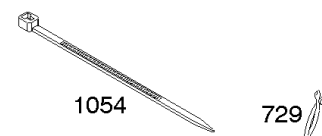
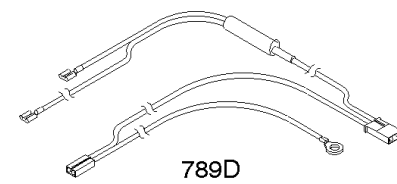
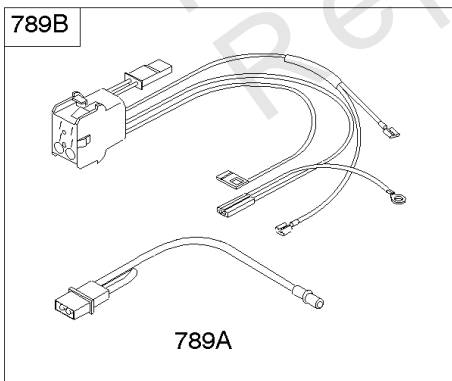
Air Cleaner, Blower Housing/Shrouds

REF NO	PART NO	QTY	DESCRIPTION
163	691001		GASKET, Air Cleaner
304C	796678		HOUSING, Blower -(Black)
305	691005		SCREW -(Blower Housing) (21/32)
305B	790690		SCREW -(Blower Housing) (Blower Housing To Intake Elbow)
405A	697820		SCREW -(Back Plate) (Mounting)
431D	792297		MANIFOLD, Intake
445B	792105		FILTER, A/C Cartridge
447	691003		SCREW -(Air Guide Cover)
447A	697551		SCREW -(Air Guide Cover)
467	790697		KNOB, Air Cleaner Cover
573	790444		PLATE, Back
703	691010		CLIP
729	694123		CLIP, Wire
865	691012		COVER, Air Guide -(Cylinder 1)
865A	793205		SHIELD, Cylinder -(Cylinder 2)
865B	792286		COVER, Air Guide -(Valley) -Used After Code Date 06072700
865B	691015		COVER, Air Guide -(Valley) -Used Before Code Date 06072800
967B	792303		FILTER, Pre Cleaner
968	795120		COVER, Air Cleaner
1036	-----		Label-Emissions
1040	791237		PLATE, Trim

10 - 16 AMP		TRI CIRCUIT		5-9 AMP	
474D	1059	474C	1059	474C	1059
877C		877B		877B	
578A		578A		578A	
		878A			

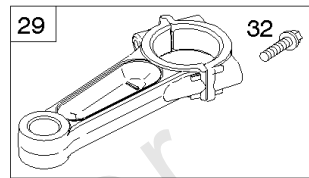
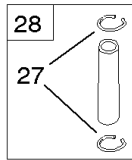
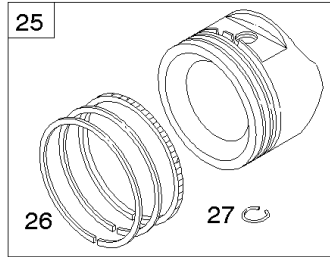
NOTE: All Stators Use a No. 1119 Mounting Screw.

NOTE: The proper flywheel part number and/or the alternator magnet size will determine the alternator type or output. See repair instruction manual for additional information.

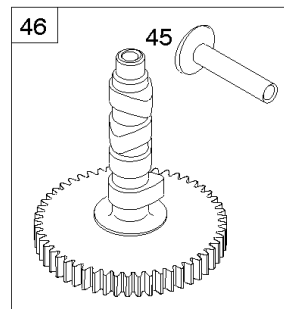
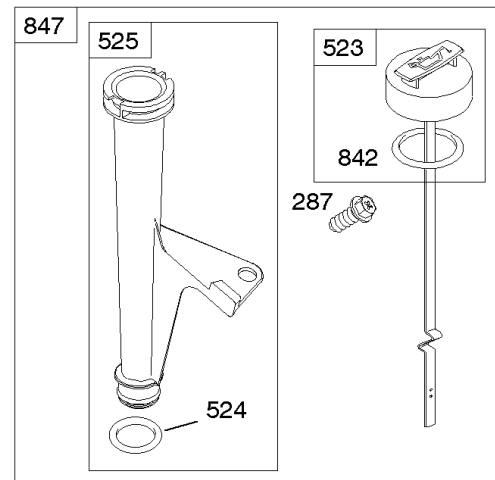
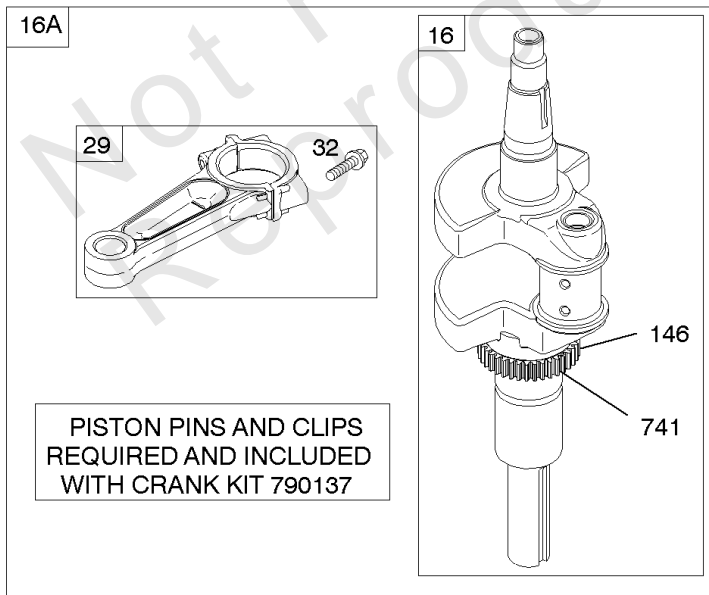


Alternators, Ignition

REF NO	PART NO	QTY	DESCRIPTION
10	697551		SCREW -(Breather Assembly)
333	691060		ARMATURE, Magneto
334	691061		SCREW -(Magneto Armature)
474C	696457		ALTERNATOR -(Tri Circuit)
474D	696458		ALTERNATOR -(10 and 16 Amp Regulated)
501A	794360		REGULATOR
501D	691185		REGULATOR -(16 Amp Regulated)
526A	691129		SCREW -(Regulator)
526B	697551		SCREW -(Regulator)
578A	691208		WIRE ASSEMBLY
635	66538S		BOOT, Spark PLug
729	694123		CLIP, Wire
789A	790544		WIRE/CONNECTOR, Alternator
789B	698330		HARNESS, Wiring
789D	691220		HARNESS, Wiring
851	493880S		TERMINAL-SPARK PLUG
877B	393537		WIRE/CONNECTOR, Alternator -(Tri Circuit) (9 Amp)
877C	399916		WIRE/CONN-ALTERNATOR
878A	691955		HARNESS, Alternator
1054	280275		TIE, Cable
1059	698516		KIT, Screw/Washer
1119	691183		SCREW -(Alternator)

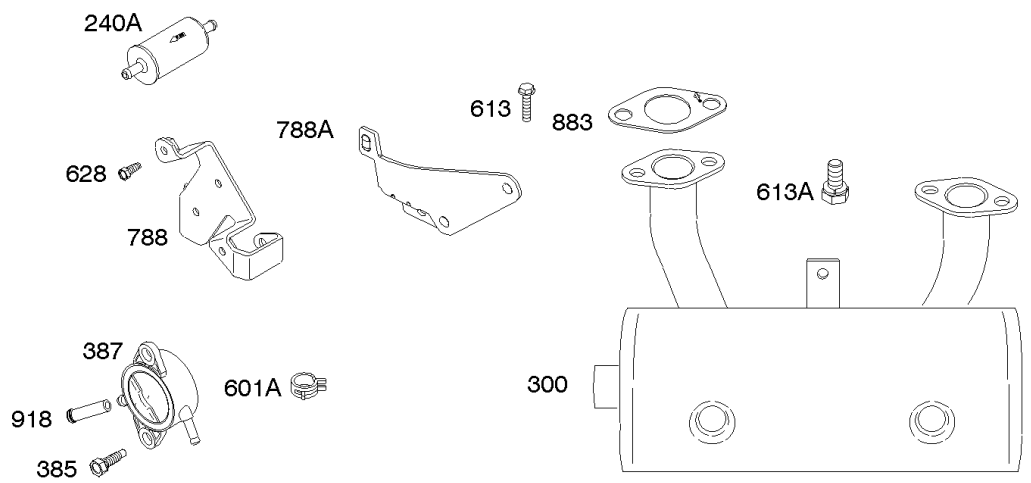
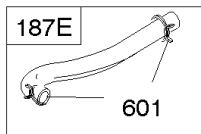
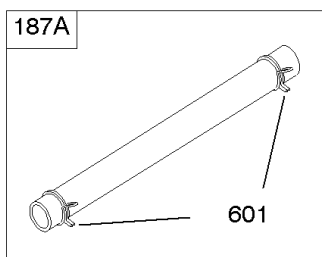
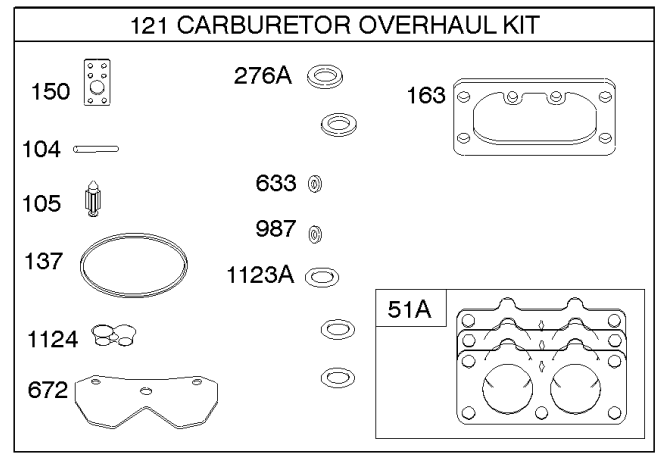
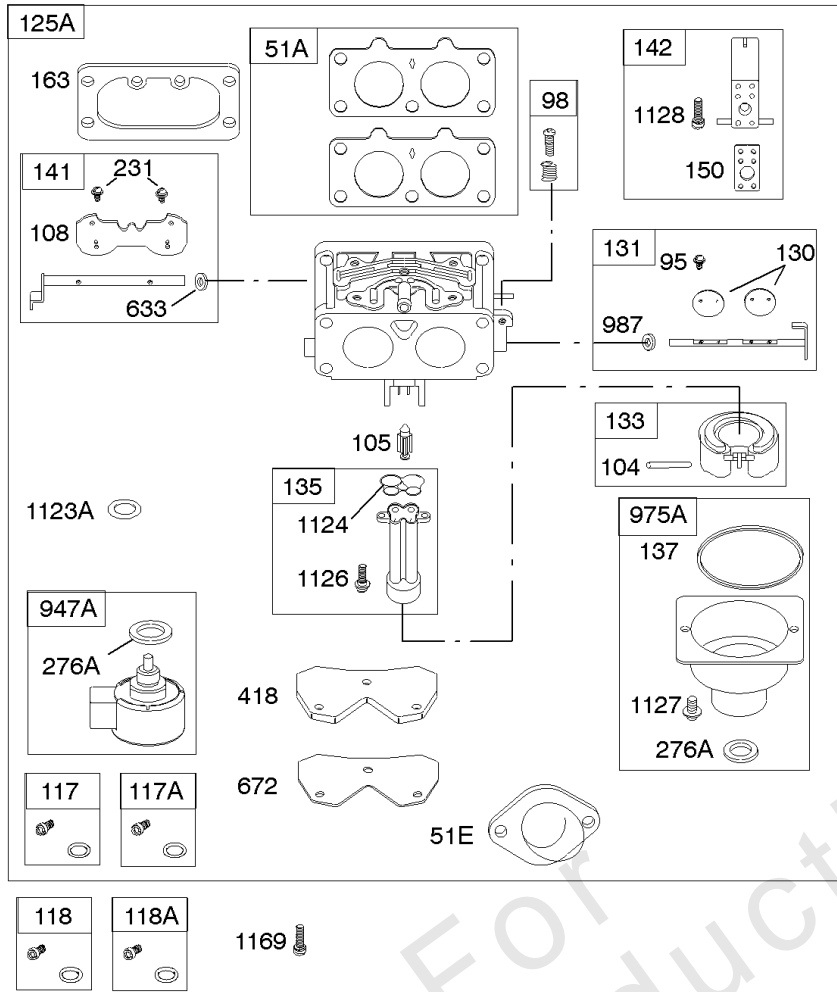


24



Camshaft, Crankshaft, Lubrication, Piston, Rings, Connecting Rod

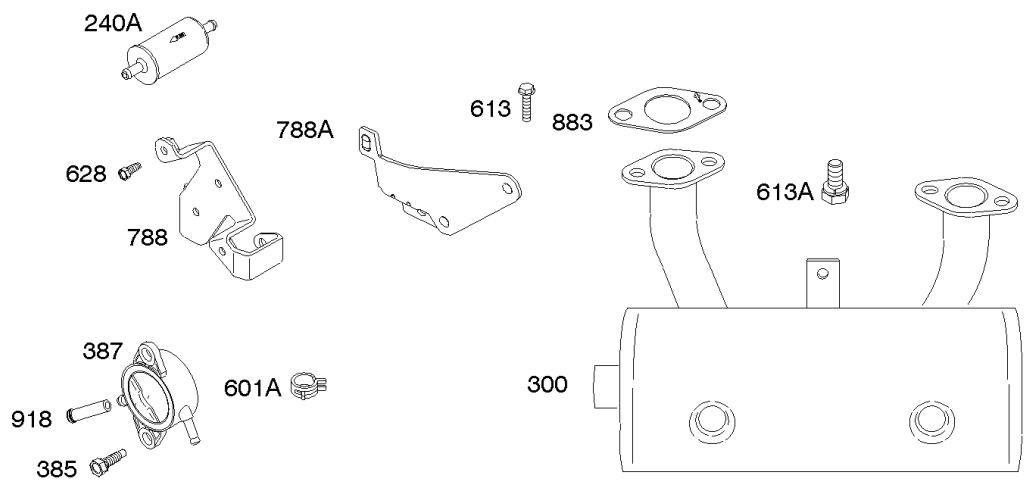
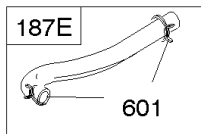
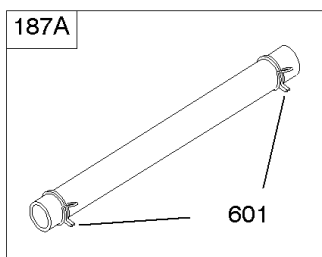
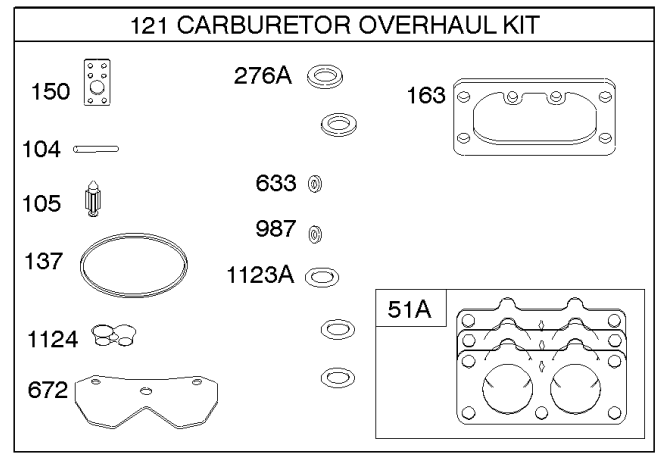
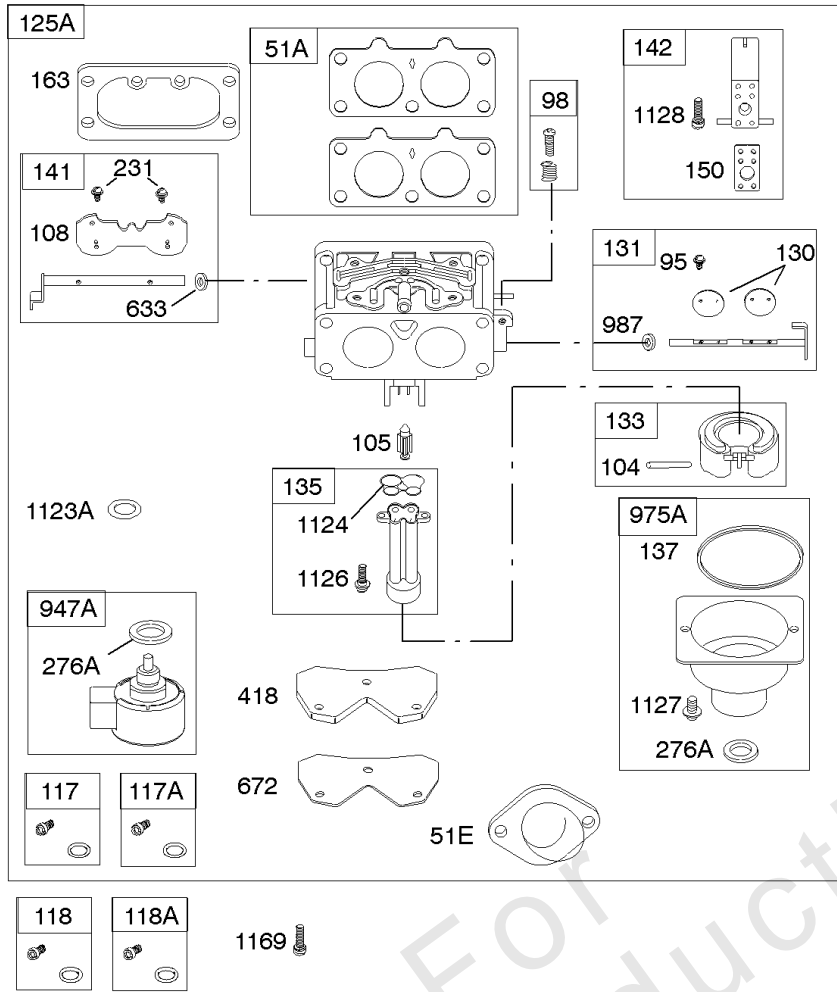
REF NO	PART NO	QTY	DESCRIPTION
16	699700		CRANKSHAFT
24	222698S		KEY, Flywheel
25	792023		PISTON ASSEMBLY -(Standard) -Used After Code Date 06101500
25	792117		PISTON ASSEMBLY -(Standard) -Used Before Code Date 06101600
26	792026		SET, Ring -(Standard)
26	792073		SET, Ring -(.020 Oversize)
27	690975		LOCK, Piston Pin
28	690229		PIN-PISTON/STD -(Standard)
29	699699		ROD, Connecting -(Standard)
32	690976		SCREW -(Connecting Rod)
45	690977		TAPPET, Valve
46	790562		CAMSHAFT
146	690979		KEY, Woodruff
287	697820		SCREW -(Dipstick Tube)
523	691036		DIPSTICK
524	691032		SEAL, O-Ring
525	691037		TUBE, Dipstick
741	690980		GEAR, Timing
842	691031		SEAL, O-Ring -(Dipstick Tube)
847	499602		DIPSTICK/TUBE ASSEMBLY



Not For
Reproduction

Carburetor, Exhaust System, Fuel Supply, Kit/Gasket Set-Carburetor

REF NO	PART NO	QTY	DESCRIPTION
51A	795123		GASKET, Intake
51E	690949		GASKET, Intake
95	690718		SCREW -(Throttle Valve)
98	699721		KIT, Idle Speed
104	694918		PIN, Float Hinge
105	797410		VALVE, Float Needle
108	699723		VALVE, Choke
117	792296		JET, Main -(Standard) (Left)(Nikki)
117A	842627		JET, Main -(Standard) (Right)(Nikki)
118	699457		JET, Main -(High Altitude) (Left)(Nikki)
118A	699733		JET, Main -(High Altitude) (Right)(Nikki)
121	792455		KIT, Carburetor Overhaul
125A	792295		CARBURETOR
130	690993		VALVE, Throttle
131	499805		KIT, Throttle Shaft
133	699724		FLOAT, Carburetor
135	699729		TUBE, Fuel Transfer
137	690994		GASKET, Float Bowl
141	699722		KIT, Choke Shaft
142	699726		NOZZLE, Carburetor -(Standard)
150	690995		GASKET, Nozzle
163	691001		GASKET, Air Cleaner
187A	791766		LINE, Fuel -(Cut To Required Length)
187E	791801		HOSE, Vacuum -(Molded)
231	690718		SCREW -(Choke Valve)
240A	695666		FILTER, Fuel
276A	695410		WASHER, Sealing
385	697551		SCREW -(Fuel Pump)
387	808656		PUMP, Fuel
418	795912		PLATE, Carburetor Cover
601	791850		CLAMP, Hose
601A	691038		CLAMP, Hose
613	690341		SCREW -(Muffler)
613A	690297		SCREW -(Muffler)
628	697551		SCREW -(Fuel Pump Bracket) -Used Before Code Date 06072800
633	690998		SEAL, Choke/Throttle Shaft
672	690234		GASKET, Carburetor Plate
788	691039		BRACKET, Fuel Pump -Used Before Code Date 06072800
788A	793145		BRACKET, Fuel Pump -Used After Code Date 06072700
883	690970		GASKET, Exhaust

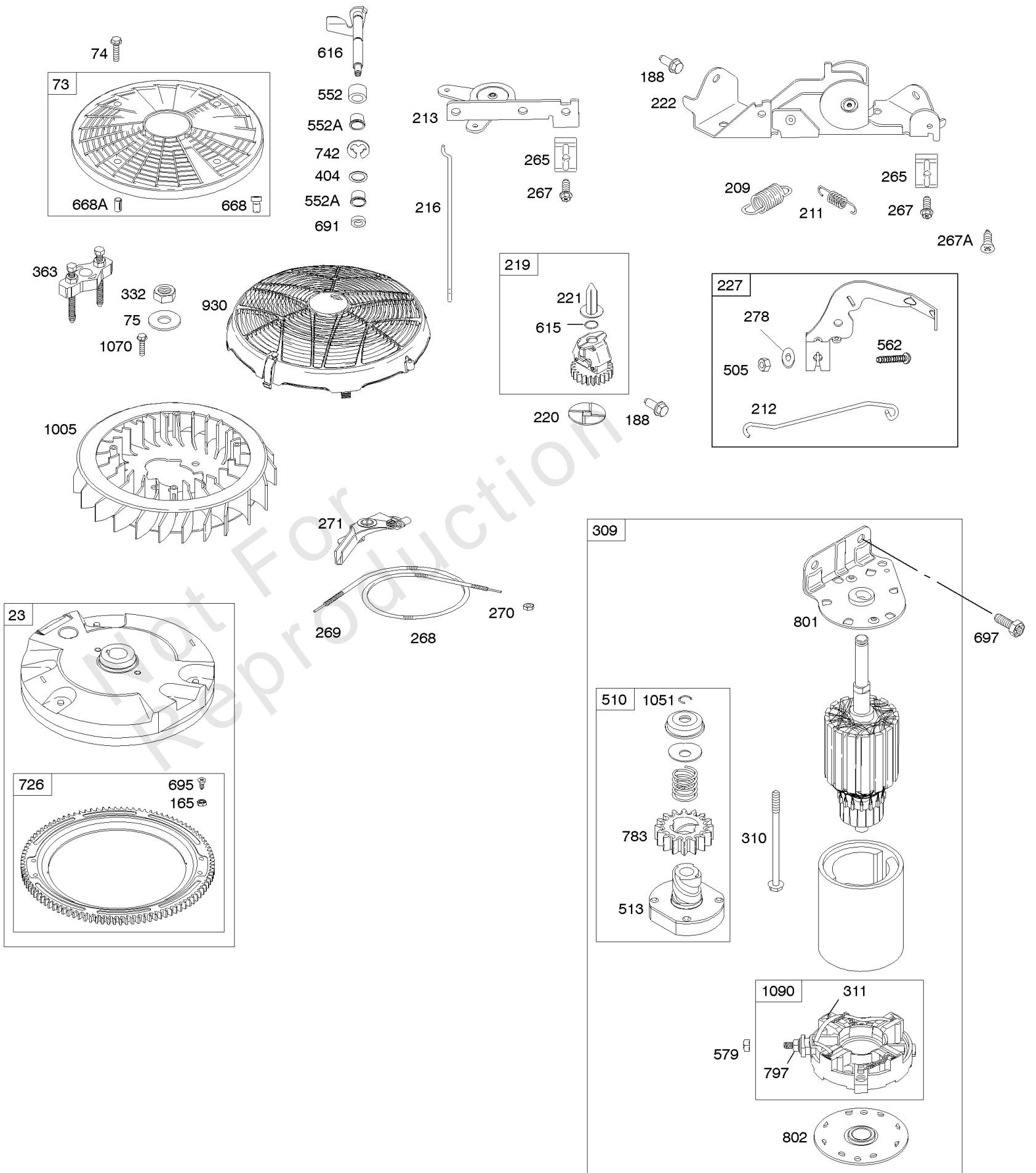


Not For
Reproduction

Carburetor, Exhaust System, Fuel Supply, Kit/Gasket Set-Carburetor

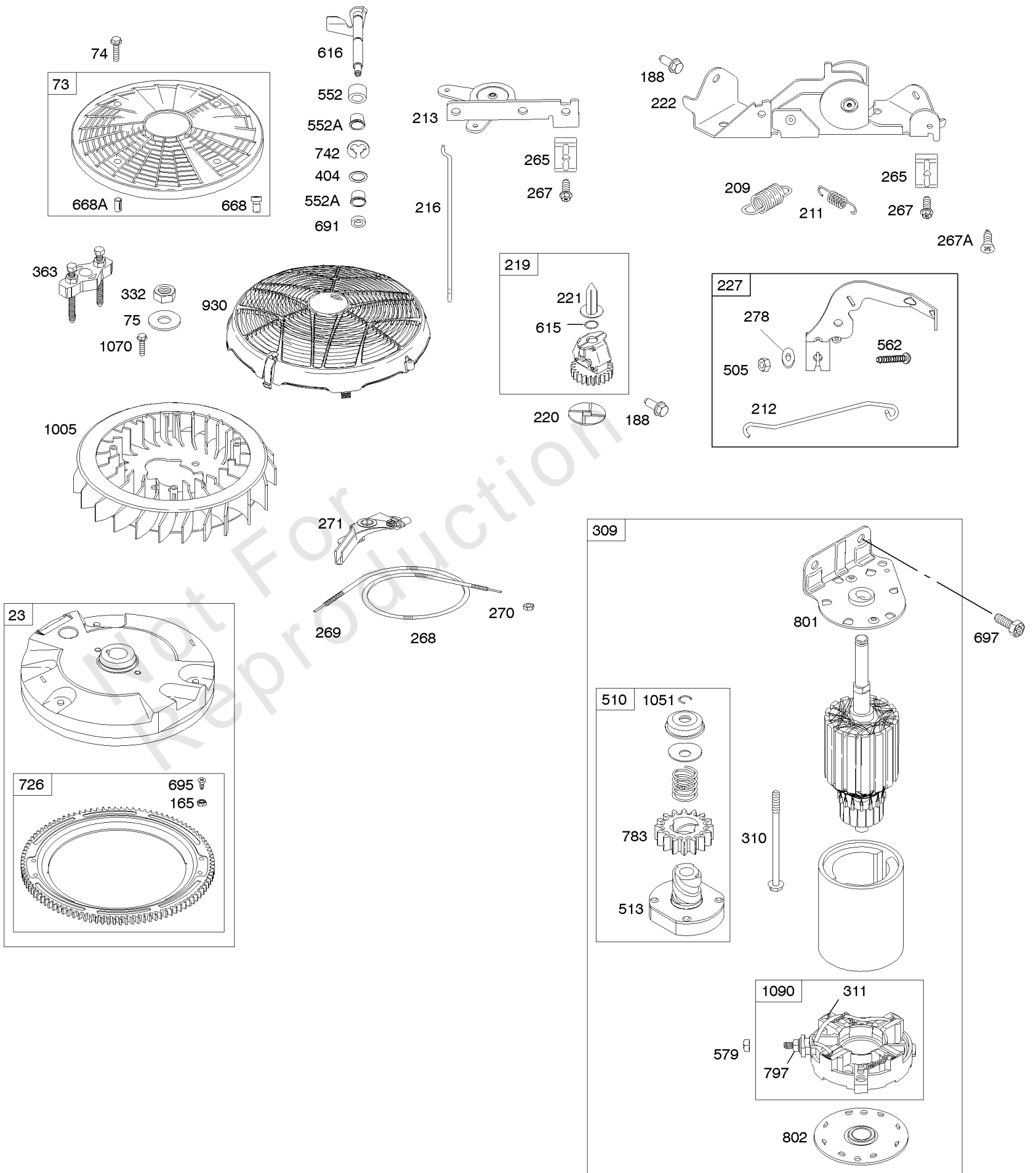
REF NO	PART NO	QTY	DESCRIPTION
918	694000		HOSE-VACUUM -Used Before Code Date 06072800
918	793147		HOSE, Vacuum -Used After Code Date 06072700
947A	841546		SOLENOID, Fuel
975A	793592		BOWL, Float
987	691000		SEAL, Throttle Shaft
1123A	841653		SEAL, O-Ring -(Solenoid Retainer)
1124	690988		SEAL, O-Ring -(Fuel Transfer Tube)
1126	690991		SCREW -(Fuel Transfer Tube)
1127	695407		SCREW -(Float Bowl) (Float Bowl to Carburetor Body)
1128	690990		SCREW -(Carburetor Nozzle)
1169	690990		SCREW -(Carburetor Cover Plate)

Not For Reproduction



Controls, Electric Start, Flywheel

REF NO	PART NO	QTY	DESCRIPTION
23	691053		FLYWHEEL
73	494439		SCREEN, Rotating
74	698425		SCREW -(Rotating Screen)
75	691056		WASHER -(Flywheel)
165	693148		NUT -(Ring Gear)
188	697551		SCREW -(Control Bracket)
209	698071		SPRING, Governor -Used Before Code Date 06081500
209	795086		SPRING, Governor -Used After Code Date 06081400
211	691019		SPRING, Governed Idle
212	695238		LINK, Throttle
213	691021		BRACKET, Choke Control
216	691022		LINK, Choke
219	793338		GEAR, Governor
220	690412		WASHER -(Governor Gear)
221	841026		CUP, Governor
222	698761		BRACKET, Control
227	796223		LEVER, Governor Control
265	691024		CLAMP, Casing
267	691044		SCREW -(Casing Clamp) .630 Length
268	691025		CASING, Control Wire -(Cut To Required Length)
269	691026		WIRE, Control -(Cut To Required Length)
270	691027		NUT -(Control Wire Casing)
271	691028		LEVER, Control
278	792651		WASHER -(Governor Lever)
309	499521		MOTOR, Starter
310	691263		BOLT -(Starter Motor) (4 3/8 Housing)
311	497608		SET, Brush
332	691059		NUT -(Flywheel)
363	19203		PULLER, Flywheel
404	690442		WASHER -(Governor Crank)
505	691029		NUT -(Governor Control Lever)
510	696541		DRIVE, Starter
513	692024		CLUTCH, Drive
552	690552		BUSHING-GOV CRANK
552A	690553		BUSHING, Governor Crank
562	690311		BOLT -(Governor Control Lever)
579	691029		NUT -(Starter Cable)
615	698290		RETAINER, Governor Shaft

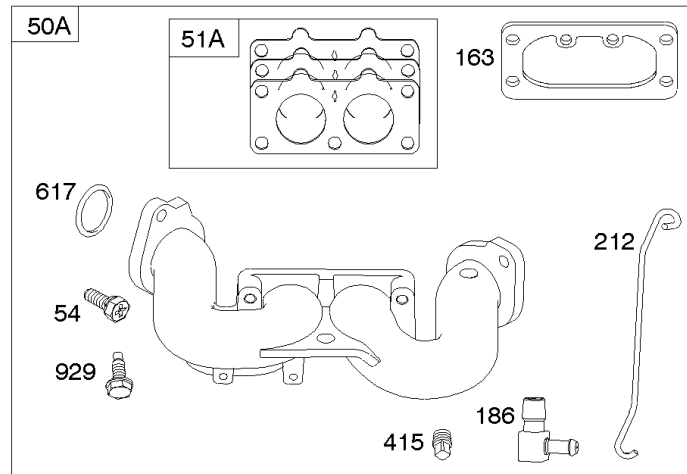
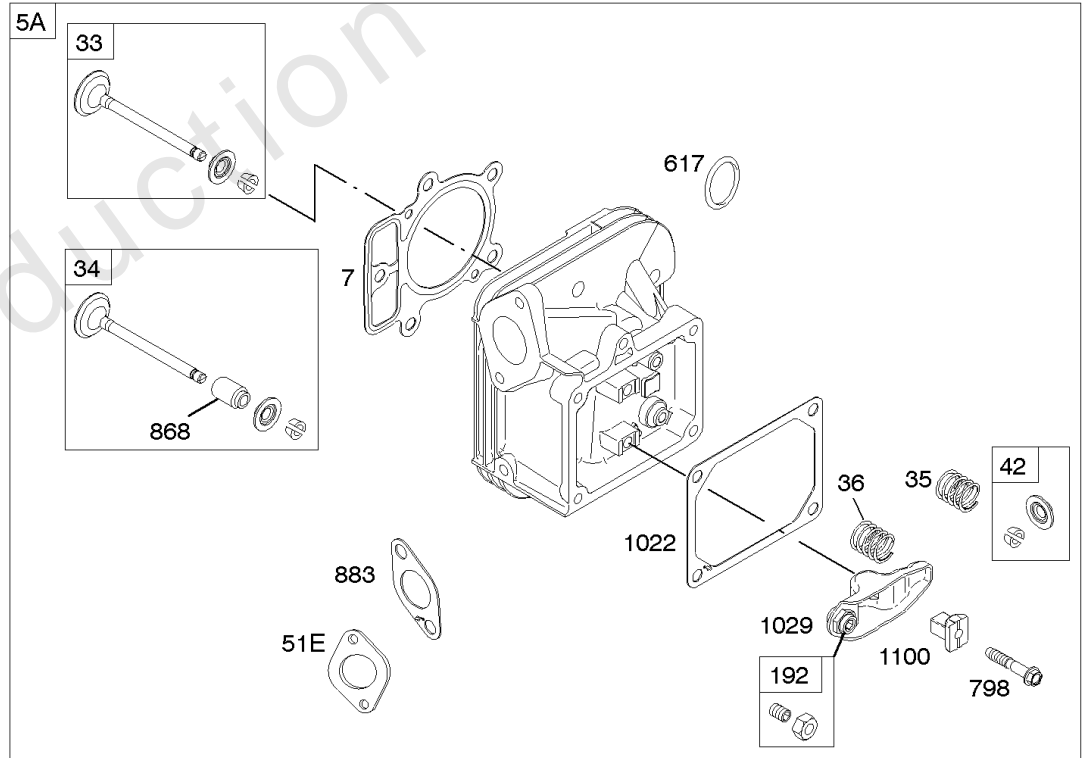
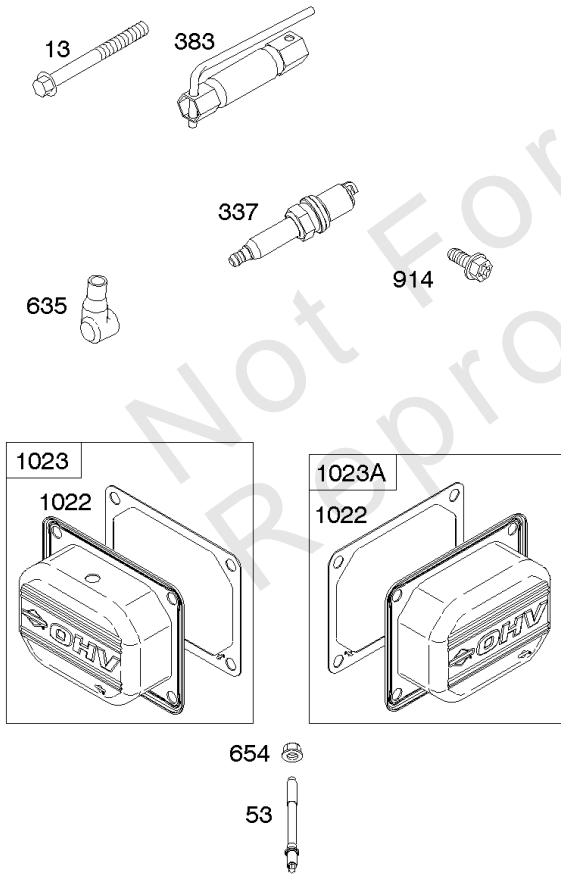
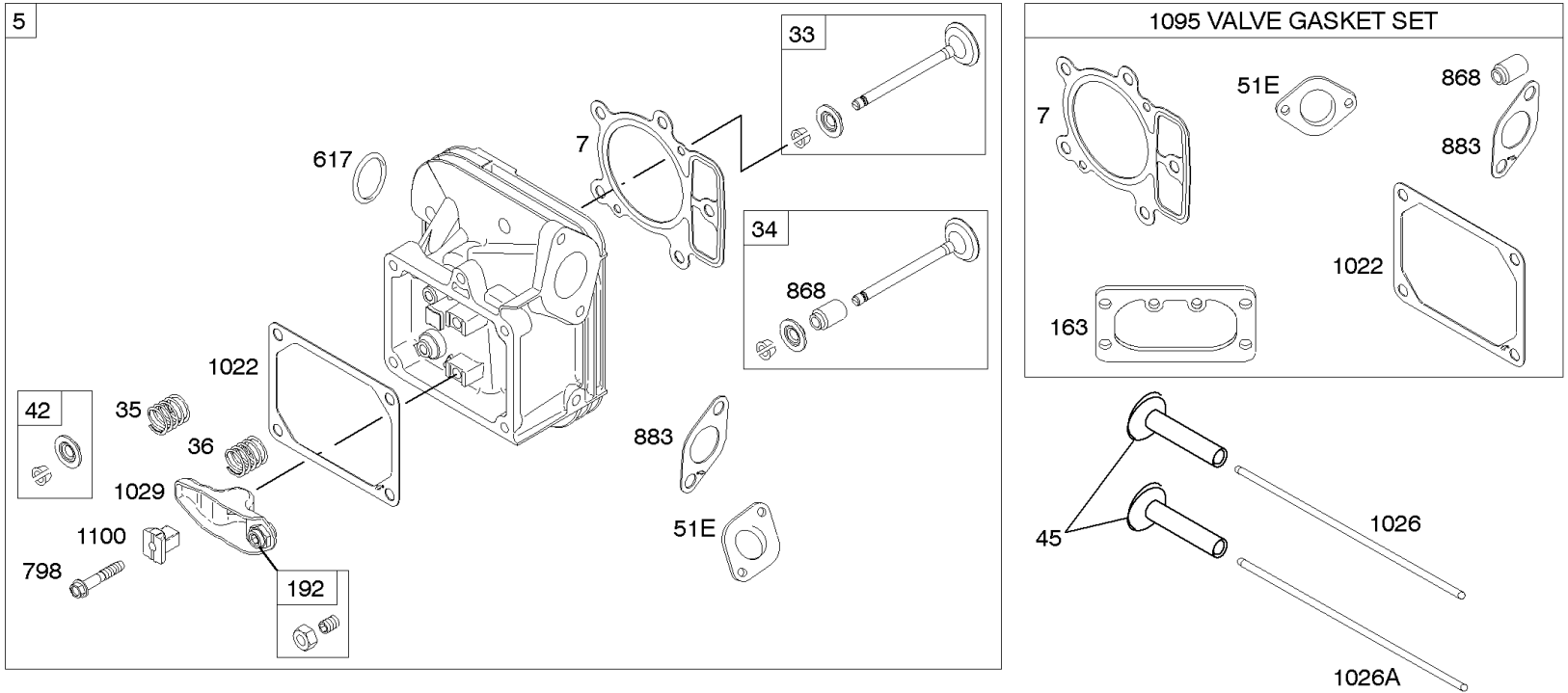


Controls, Electric Start, Flywheel

REF NO	PART NO	QTY	DESCRIPTION
616	691045		CRANK, Governor
668	691500		SPACER
668A	691215		SPACER
691	790574		SEAL, Governor Shaft
695	693149		SCREW -(Ring Gear)
697	690372		SCREW -(Drive Cap)
726	499612		GEAR, Ring
742	690328		RETAINER, E Ring
783	695708		GEAR-PINION
797	693167		NUT -(Brush Retainer)
801	691283		CAP, Drive
802	691286		CAP, End
930	794277		GUARD, Rewind
1005	791236		FAN, Flywheel
1051	691265		RING, Retaining
1070	791680		SCREW -(Flywheel Fan)
1090	691293		RETAINER, Brush

Cylinder Head, Kit/Gasket Set-Valve, Valves

Mfg. No: 44K777-0115-E1

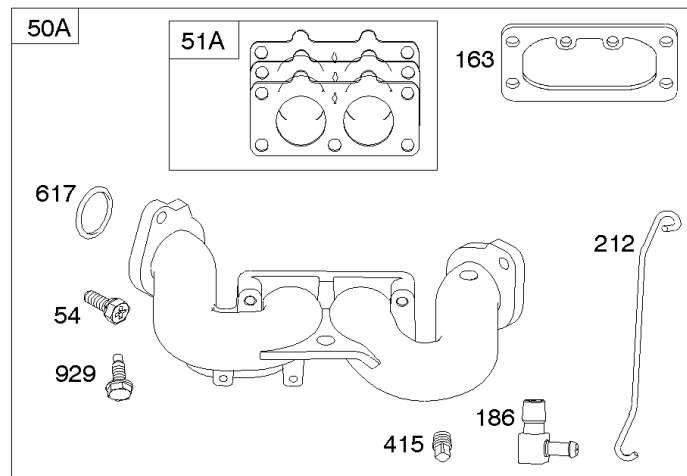
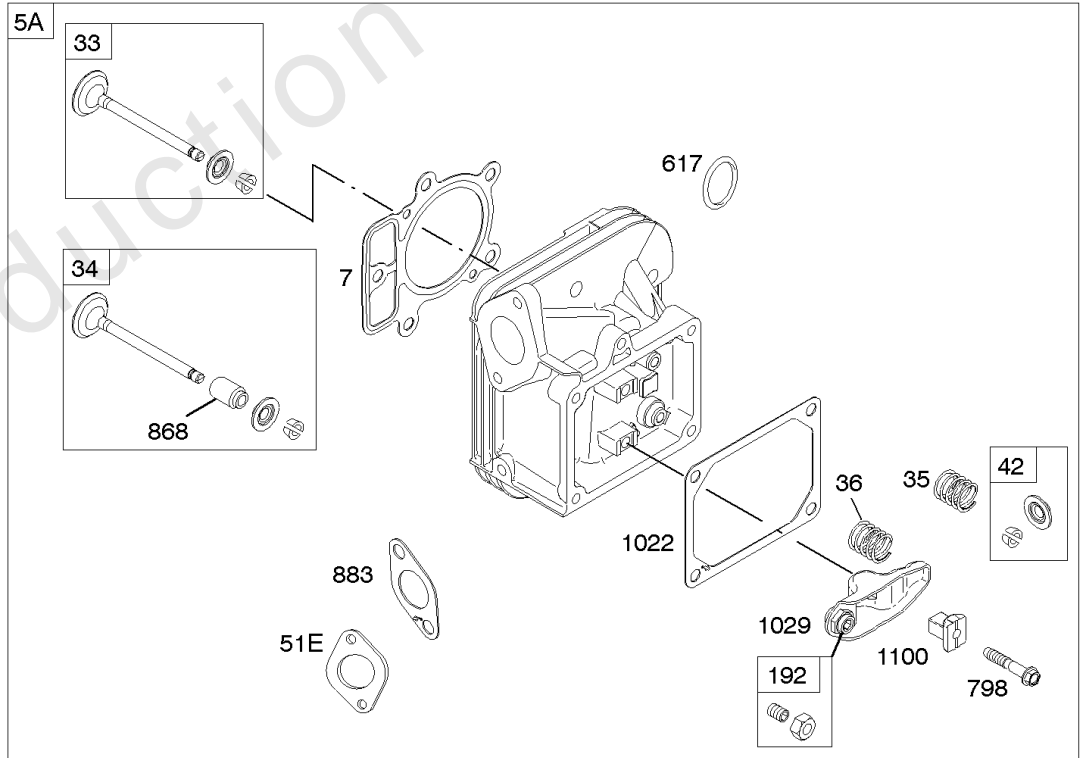
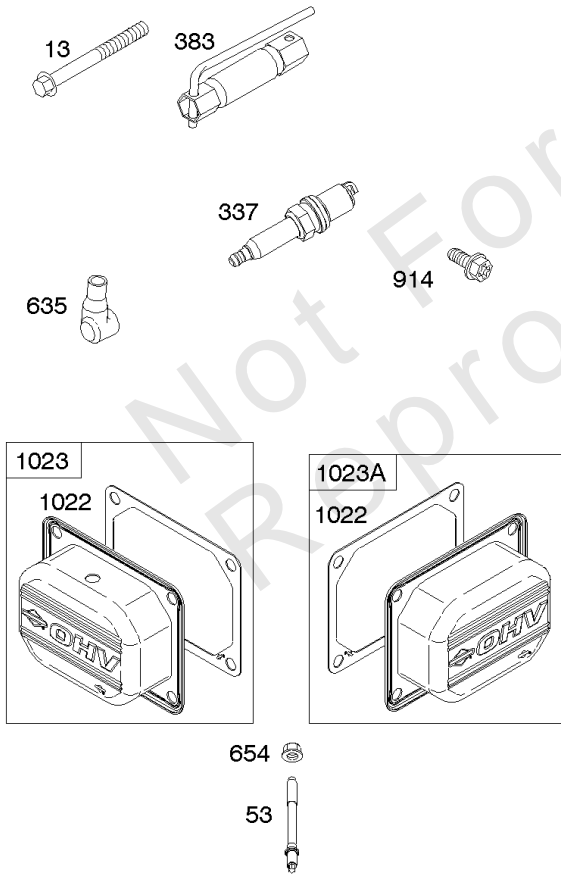
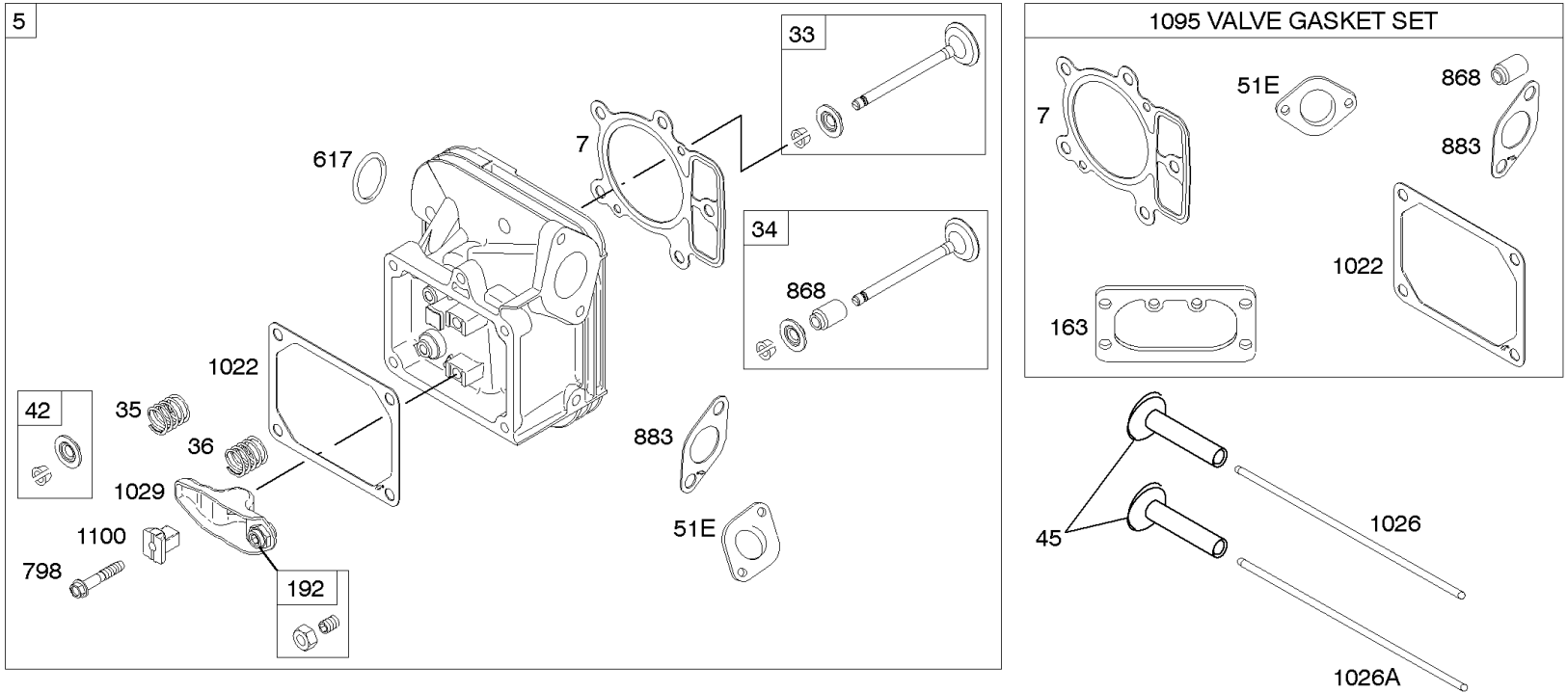


Cylinder Head, Kit/Gasket Set-Valve, Valves

REF NO	PART NO	QTY	DESCRIPTION
5	792299		HEAD, Cylinder -(Cylinder 1)
5A	792300		HEAD, Cylinder -(Cylinder 2)
7	693997		GASKET, Cylinder Head
13	791130		SCREW -(Cylinder Head)
33	697576		VALVE, Exhaust
34	792200		VALVE, Intake
35	694865		SPRING, Valve -(Intake)
36	694865		SPRING, Valve -(Exhaust)
42	499586		KEEPER, Valve
45	690977		TAPPET, Valve
50A	695241		MANIFOLD, Intake -(Plastic)
51A	795123		GASKET, Intake
51E	690949		GASKET, Intake
53	690951		STUD -(Carburetor)
54	699816		SCREW -(Intake Manifold)
163	691001		GASKET, Air Cleaner
186	795985		CONNECTOR, Hose
192	690083		ADJUSTER, Rocker Arm
212	695238		LINK, Throttle
337	491055S		PLUG, Spark
337	84007216		PLUG, SPARK -(China Only)
383	19374S		WRENCH, Spark Plug
617	697891		SEAL, O-Ring -(Intake Manifold)
635	66538S		BOOT, Spark PLug
654	690958		NUT -(Carburetor)
798	697890		SCREW -(Rocker Arm)
868	690968		SEAL, Valve
883	690970		GASKET, Exhaust
914	691127		SCREW -(Rocker Cover)
929	695239		SCREW -(Choke Control Bracket)
1022	690971		GASKET, Rocker Cover
1023	499599		COVER, Rocker -(Cylinder 1) -Used Before Code Date 06072800
1023	793127		COVER, Rocker -(Cylinder 1) -Used After Code Date 06072700
1023A	499600		COVER, Rocker -(Cylinder #2)
1026	690981		ROD, Push -(Steel)
1026A	690982		ROD, Push -(Aluminum)

Cylinder Head, Kit/Gasket Set-Valve, Valves

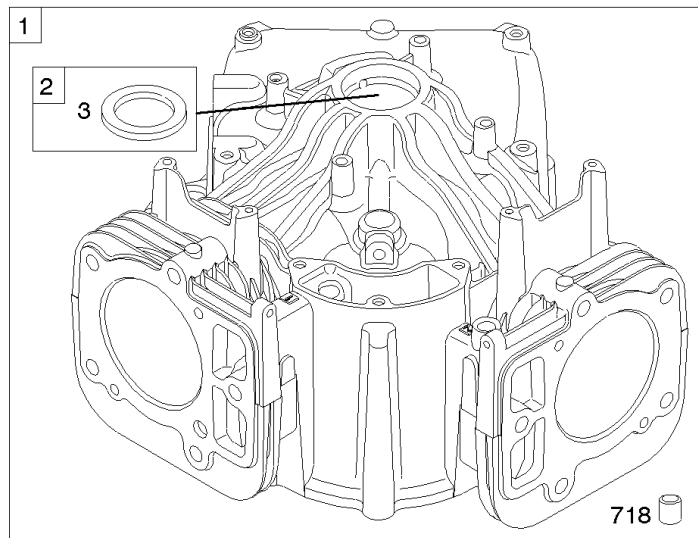
Mfg. No: 44K777-0115-E1



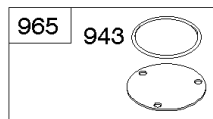
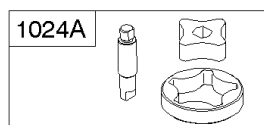
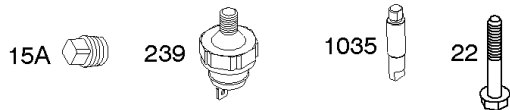
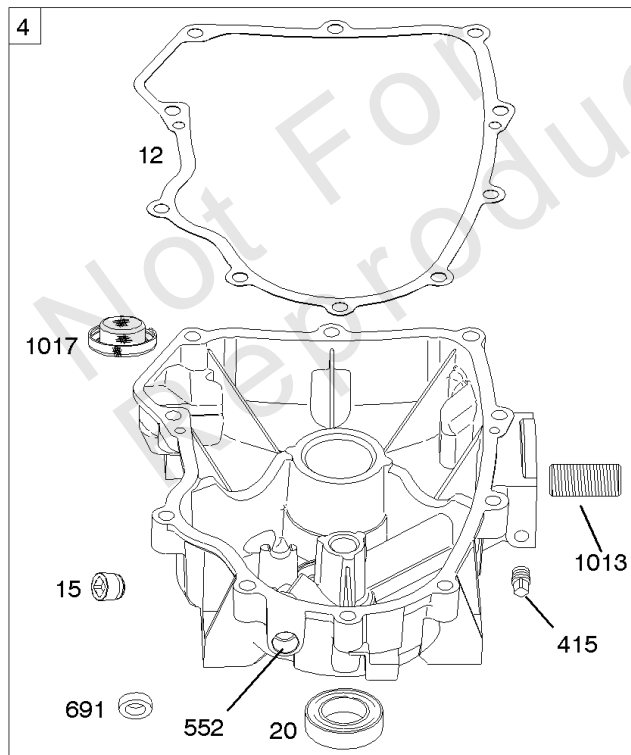
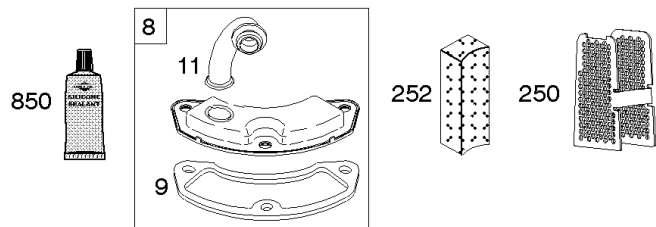
Cylinder Head, Kit/Gasket Set-Valve, Valves

REF NO	PART NO	QTY	DESCRIPTION
1029	690972		ARM, Rocker -Includes Reference 192
1095	694013		GASKET SET, Valve
1100	791959		PIVOT, Rocker Arm

Not For Reproduction



10



750

1319 WARNING LABEL

WARNING
 Read and follow all operating instructions before running engine.
 Do not touch hot parts.
 Do not touch hot parts.
 Do not touch hot parts.
 Do not touch hot parts.
 Do not touch hot parts.
 Do not touch hot parts.

REQUIRED when replacing parts with warning labels affixed.

1058 OPERATOR'S MANUAL

1330 REPAIR MANUAL

358A ENGINE GASKET SET

Cylinder, Engine Sump, Kit/Gasket Set-Engine

REF NO	PART NO	QTY	DESCRIPTION
1	793564		CYLINDER ASSEMBLY
2	499585		KIT, Bushing/Seal -(Magneto Side)
3	391086S		SEAL, Oil -(Magneto Side)
4	699747		SUMP, Engine
7	693997		GASKET, Cylinder Head
8	792185		BREATHER ASSEMBLY
9	690937		GASKET, Breather
10	697551		SCREW -(Breather Assembly)
11	792184		TUBE-BREATHER
12	697227		GASKET, Crankcase
15	691680		PLUG, Oil Drain
15A	690946		PLUG, Oil Drain
20	795387		SEAL, Oil -(PTO Side)
22	694966		SCREW -(Crankcase Cover/Sump)
51A	795123		GASKET, Intake
51E	690949		GASKET, Intake
163	691001		GASKET, Air Cleaner
250	690957		RETAINER, Breather
252	794389		COLLECTOR-OIL
358A	694012		GASKET SET, Engine
415	794903		PLUG
524	691032		SEAL, O-Ring
552	690552		BUSHING-GOV CRANK
691	790574		SEAL, Governor Shaft
718	690959		PIN, Locating
750	696999		SCREW -(Oil Pump Cover)
842	691031		SEAL, O-Ring -(Dipstick Tube)
850	100100		SEALANT, Liquid
868	690968		SEAL, Valve
883	690970		GASKET, Exhaust
943	690589		SEAL, O-Ring -(Oil Pump Cover)
965	499613		COVER, Oil Pump
1013	690954		NIPPLE, Oil Filter
1017	690770		SCREEN, Oil Pump
1022	690971		GASKET, Rocker Cover
1024A	794416		PUMP, Oil
1027	696854		FILTER, Oil
1035	691042		SHAFT, Pump
1058	278776TRI		MANUAL, Operator's
1319	794467		LABEL, Warning
1330	273521		MANUAL, Repair

Replacement Engine - US & Canada

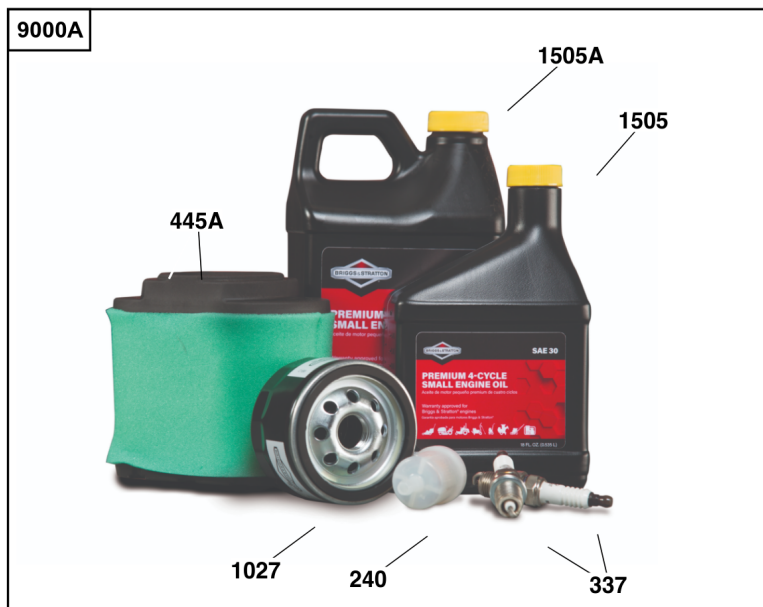
REF NO	PART NO	QTY	DESCRIPTION
	44L7773137	1	Replacement Engine
	698172	1	Replacement Short Block
	-----		Top No-Load Speed: 3500 -Trim: ALL
	-----		Service Note: Original engine was equipped special Remote Throttle Control or Governor Control. Transfer these parts to replacement engine.
	-----		Service Note: If the original engine is equipped with a Six Pin Wiring Harness transfer to the replacement engine.
	-----		Service Note: Transfer Remote Choke Control Assembly from original engine to replacement engine.
	-----		Short Block Note: If repair would also require the Cylinder Head Assembly Order Short Block Part Number 792957.

Not For Reproduction



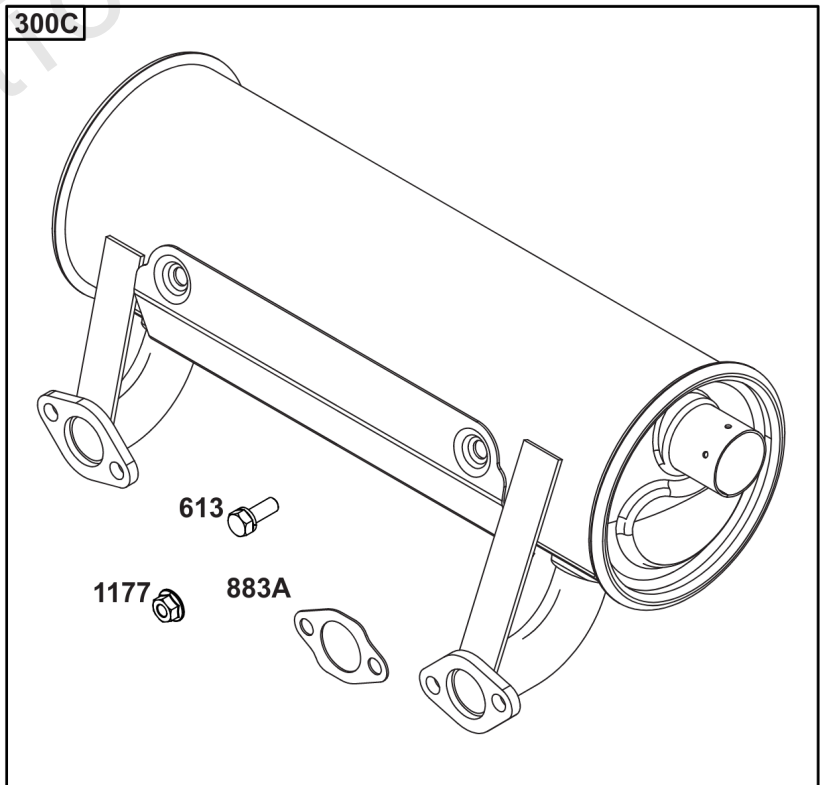
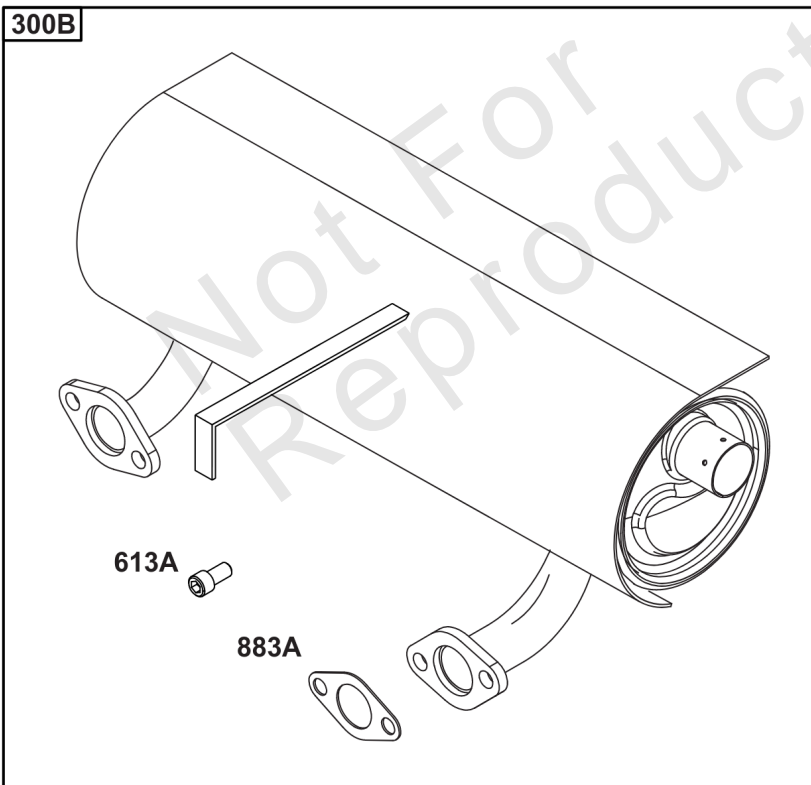
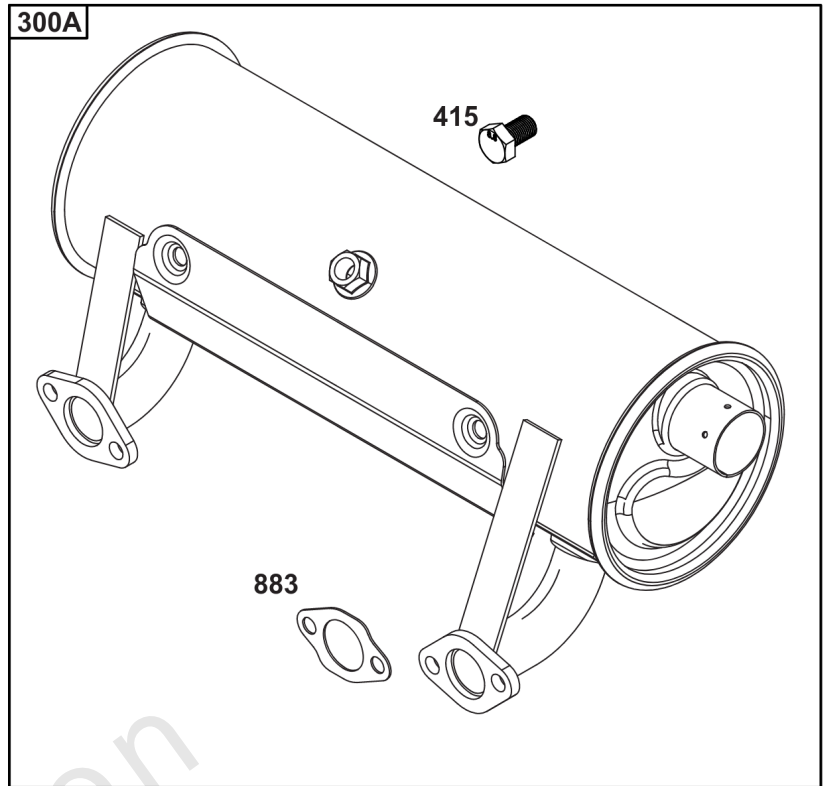
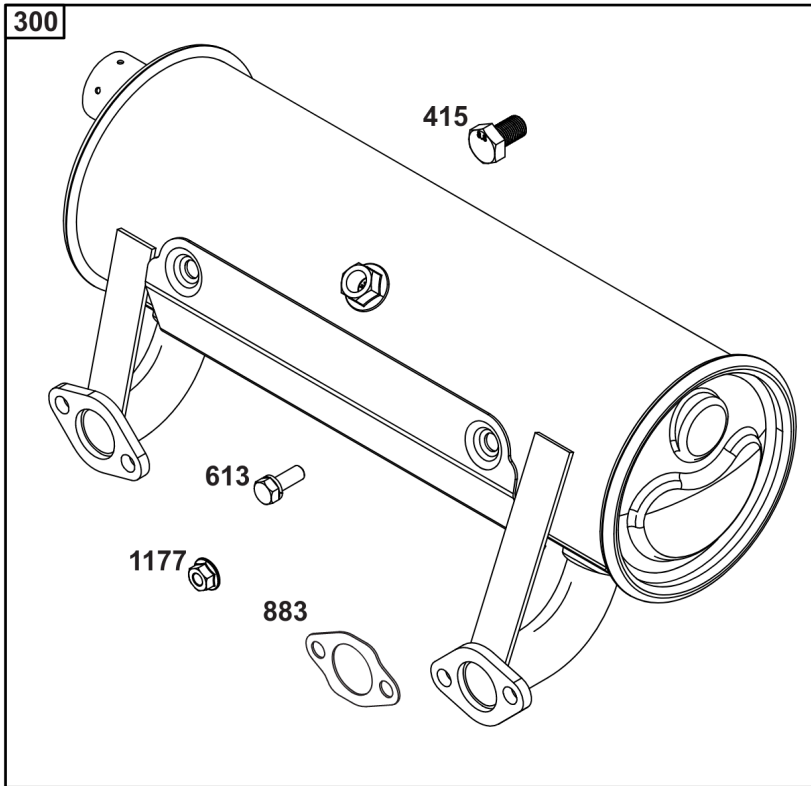
Model 40, 44 & 49 Engine Accessories Catalog

Not For
Reproduction



Maintenance Kits

REF NO	PART NO	QTY	DESCRIPTION
9000	84002442		KIT, Maintenance -(Intek / EXi V-Twin Engines) (Do not use with Home Standby Generators.)
9000A	84002317		KIT, Maintenance -(Professional Series™ V-Twin Engines) (Do not use with Home Standby Generators.)
9000B	84002316		KIT, Maintenance -(Commercial Series V-Twin Engines) (Do not use with Home Standby Generators.)
9000C	84002318		KIT, Maintenance -(Oil Guard™ Engines) (Do not use with Home Standby Generators.)
9000D	84002315		KIT, Maintenance -(Non-Oil Guard™ Engines) (Do not use with Home Standby Generators.)
240	84001895	1	FILTER, Fuel -(40 Micron)
240A	845125	1	FILTER, Fuel -(20 Micron)
337	491055S	2	PLUG, Spark
445	594201	1	FILTER, A/C Cartridge
445A	792105	1	FILTER, A/C Cartridge
445B	798897	1	FILTER, A/C Cartridge
445C	841497	1	FILTER, A/C Cartridge
967	797704	1	FILTER, Pre Cleaner
1027	492932S	1	FILTER, Oil -(Standard)
1027A	696854	1	FILTER, Oil -(Premium)
1027B	842921	1	FILTER, Oil -(Vanguard®)
1027C	84007094	1	FILTER, OIL -(Oil Guard™)
1505	100005		OIL-4 CYCLE 30W 18OZ. -(18 oz. Bottle)
1505A	100028		OIL-4 CYCLE30W 48OZ -(48 oz. Bottle)
1505B	100170		OIL-5QT VANGUARD (CASE) -(5 qt. Bottle)
1505C	100169		OIL-1QT VANGUARD (CASE) -(1 qt. Bottle)

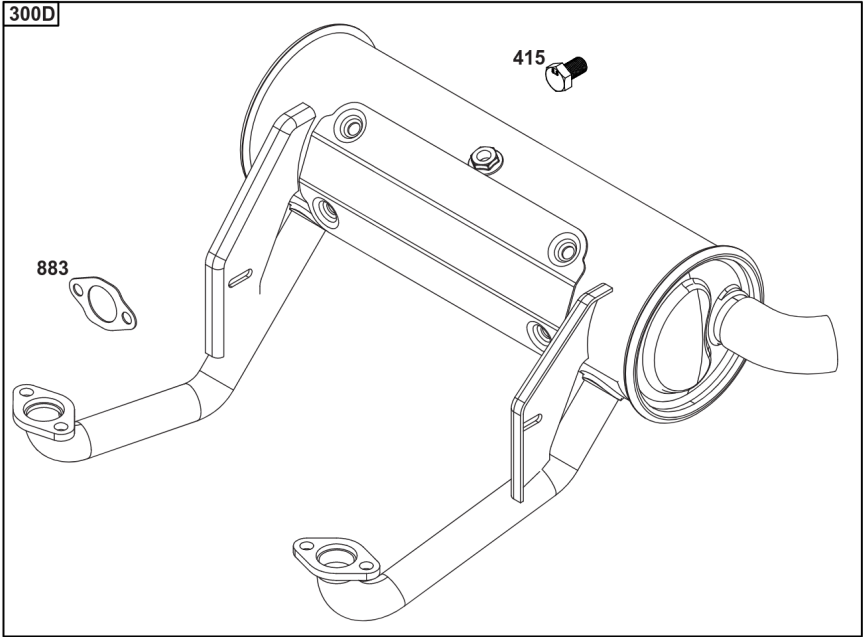
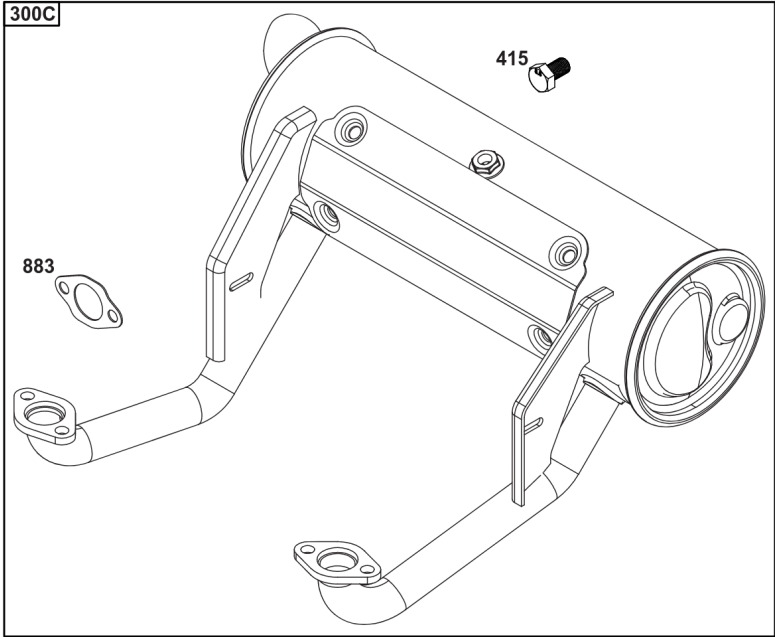


Engine Mounted Below Deck Mufflers

REF NO	PART NO	QTY	DESCRIPTION
300	594584	1	KIT-MUFFLER/GUARD -(Oil Filter Side Outlet) (Engine Supported) (O2 Sensor Port)
300A	593877	1	MUFFLER -(Starter Side Outlet) (Engine Supported) (O2 Sensor Port)
300B	594583	1	MUFFLER -(Starter Side Outlet) (Engine Supported) (No O2 Sensor Port)
300C	692120	1	MUFFLER -(Starter Side Outlet) (No O2 Sensor Port)
415	596859	1	PLUG -(O2 Sensor Port)
613	690341	4	SCREW -(Muffler)
613A	690363	4	SCREW -(Muffler)
883	594365	2	GASKET, Exhaust
883A	690970	2	GASKET, Exhaust
1177	690941	4	NUT -(Muffler)

Not For Reproduction

Engine Mounted Above Deck Mufflers



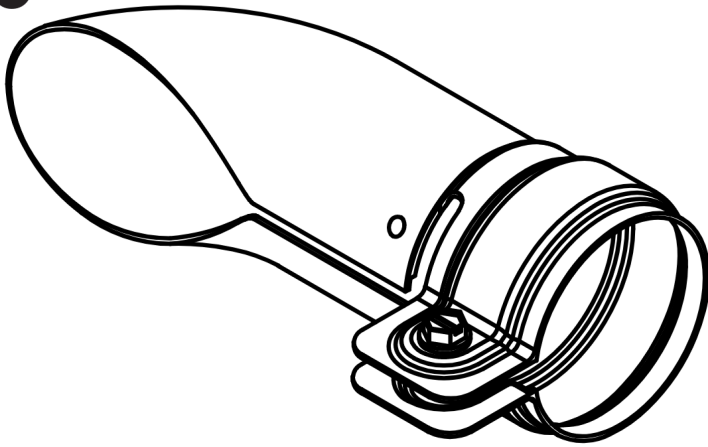
Not For
Reproduction

Engine Mounted Above Deck Mufflers

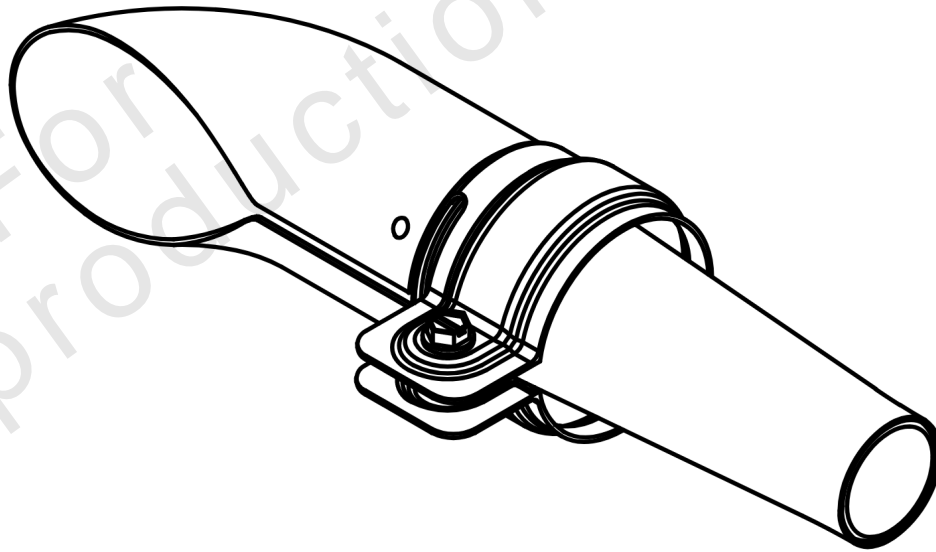
REF NO	PART NO	QTY	DESCRIPTION
300C	595138	1	MUFFLER -(Oil Filter Side Outlet) (Self-Supporting) (O2 Sensor Port)
300D	595139	1	MUFFLER -(Starter Side Outlet) (Self-Supporting) (O2 Sensor Port)
415	596859	1	PLUG -(O2 Sensor Port)
883	594365	2	GASKET, Exhaust

Not For Reproduction

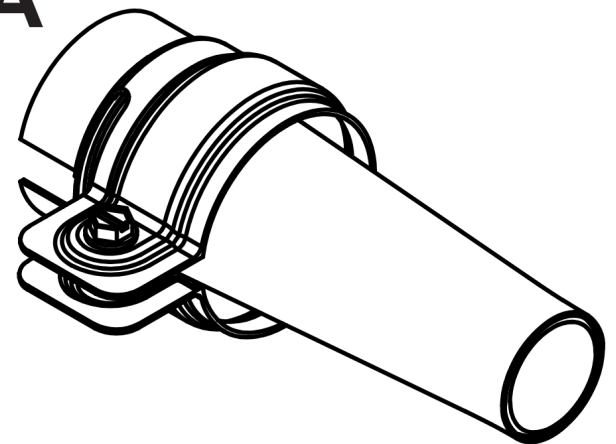
676



994



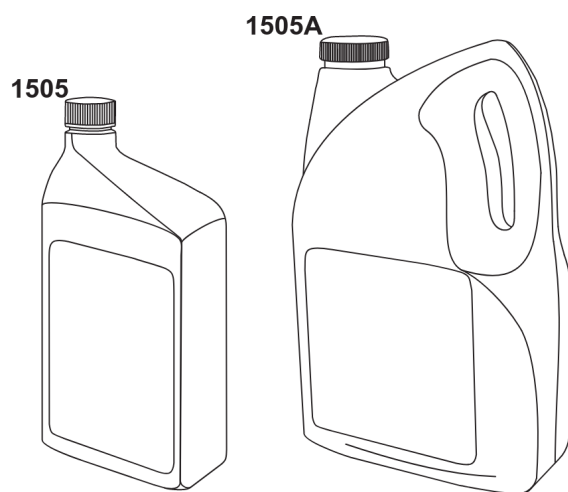
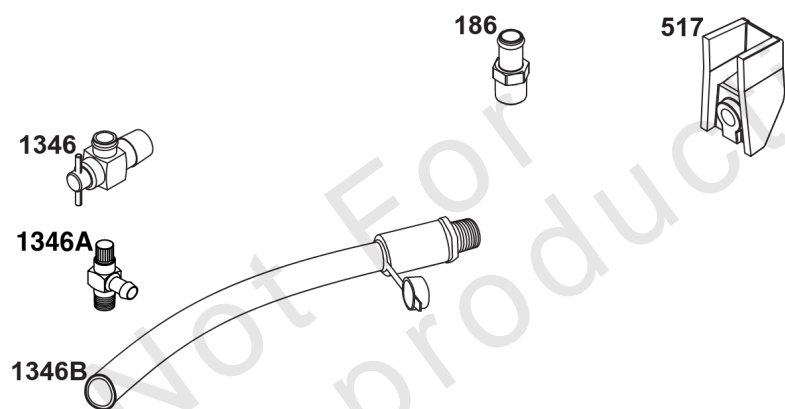
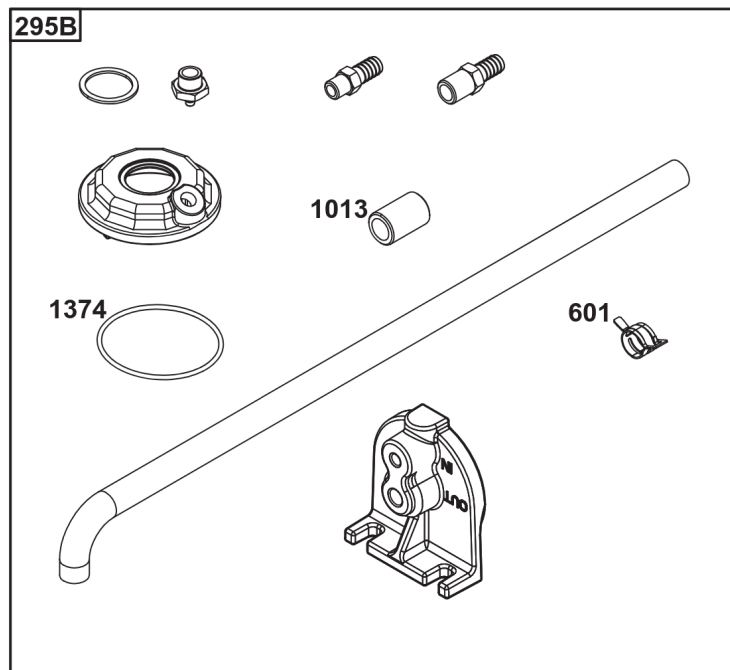
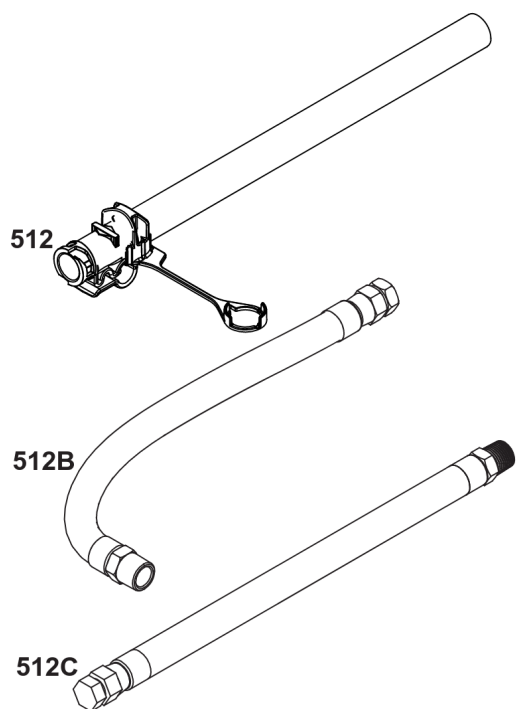
994A



Spark Arrester/Deflector

REF NO	PART NO	QTY	DESCRIPTION
676	593869	1	DEFLECTOR, Muffler -(For Below Deck Mufflers Only)
994	593885	1	ARRESTOR, Spark -(For Below Deck Mufflers Only)
994A	593868	1	ARRESTOR, Spark -(For Below Deck Mufflers Only)

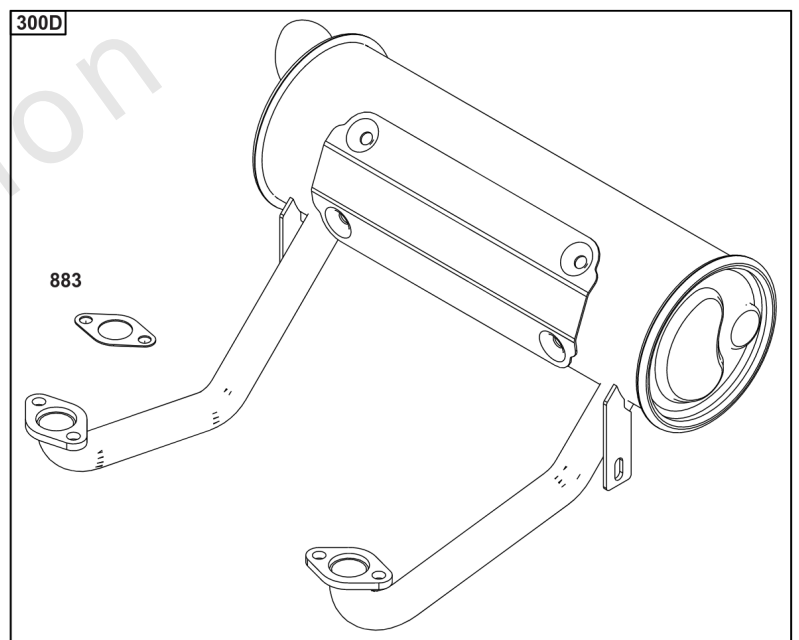
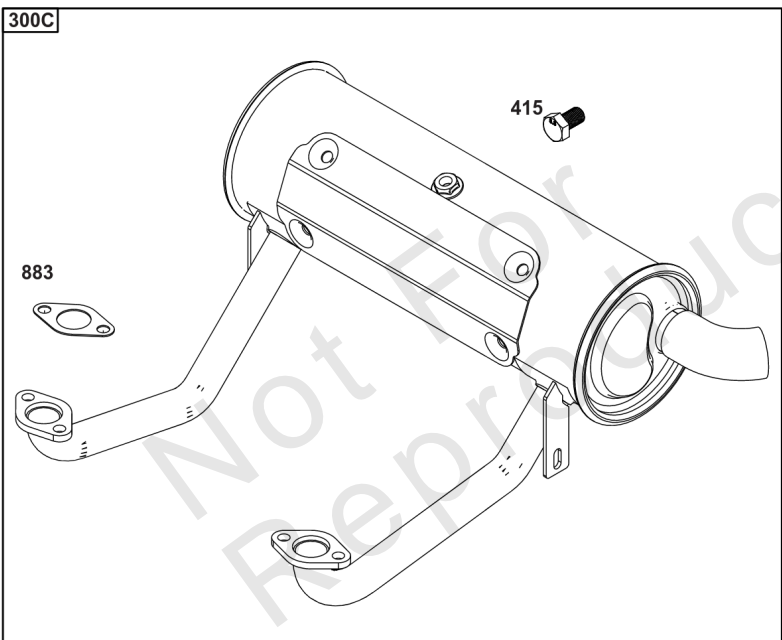
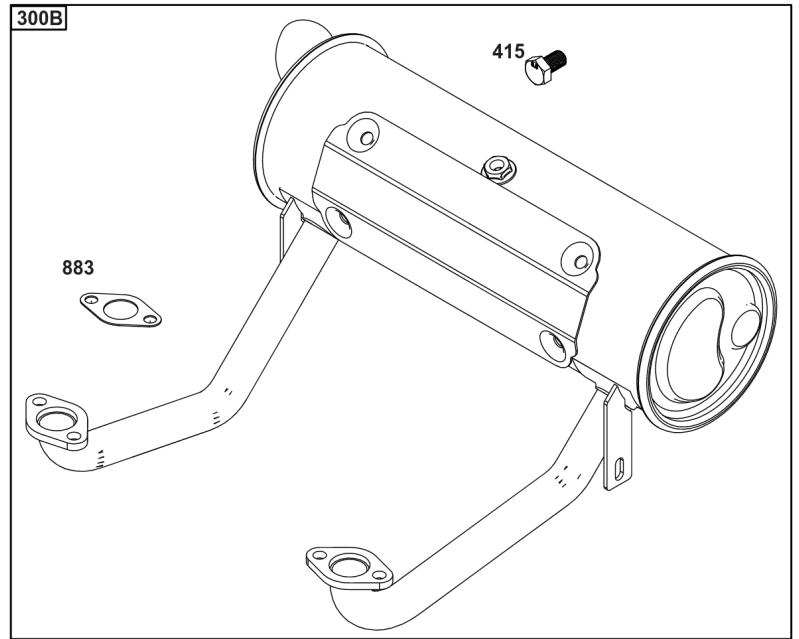
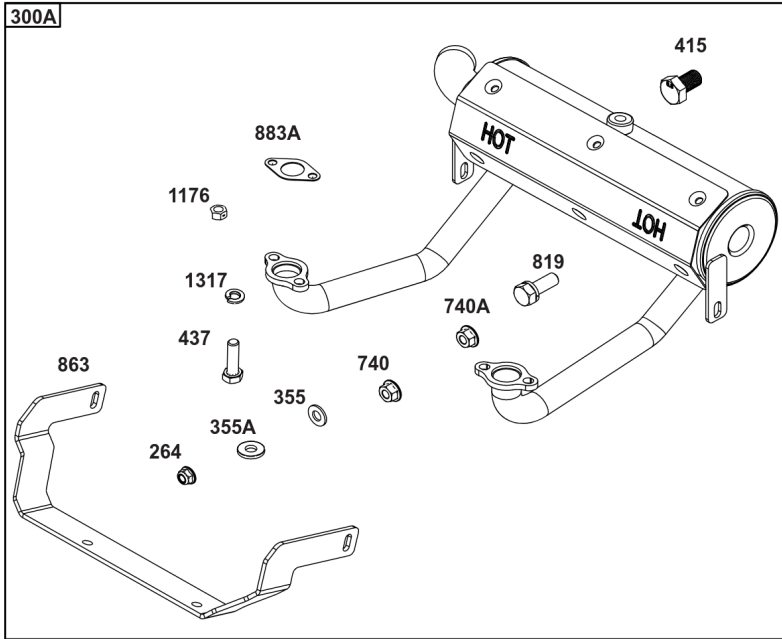
Not For Reproduction



Lubrication

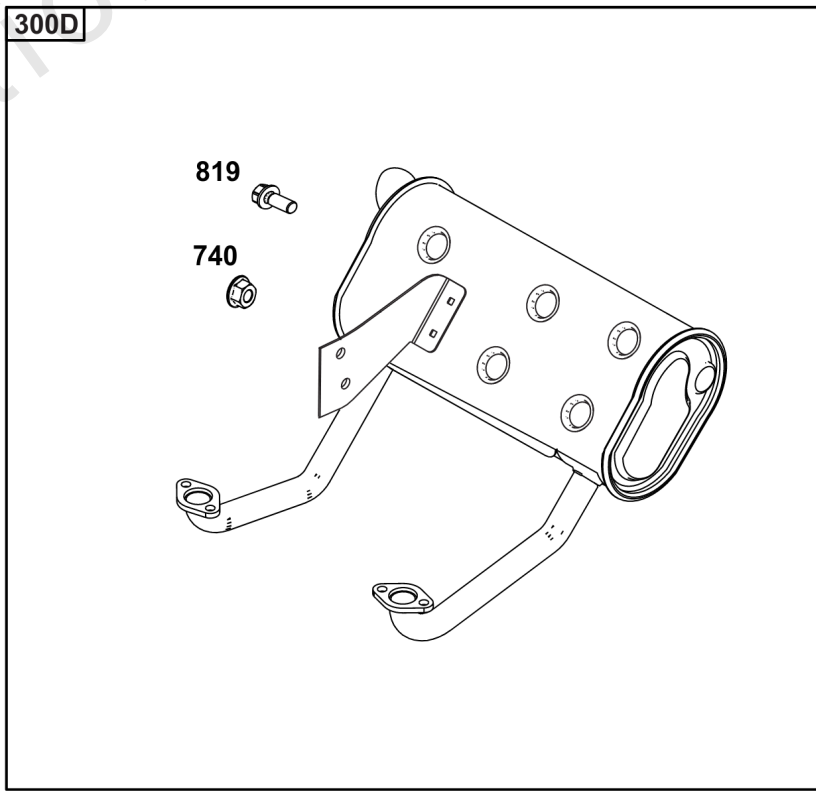
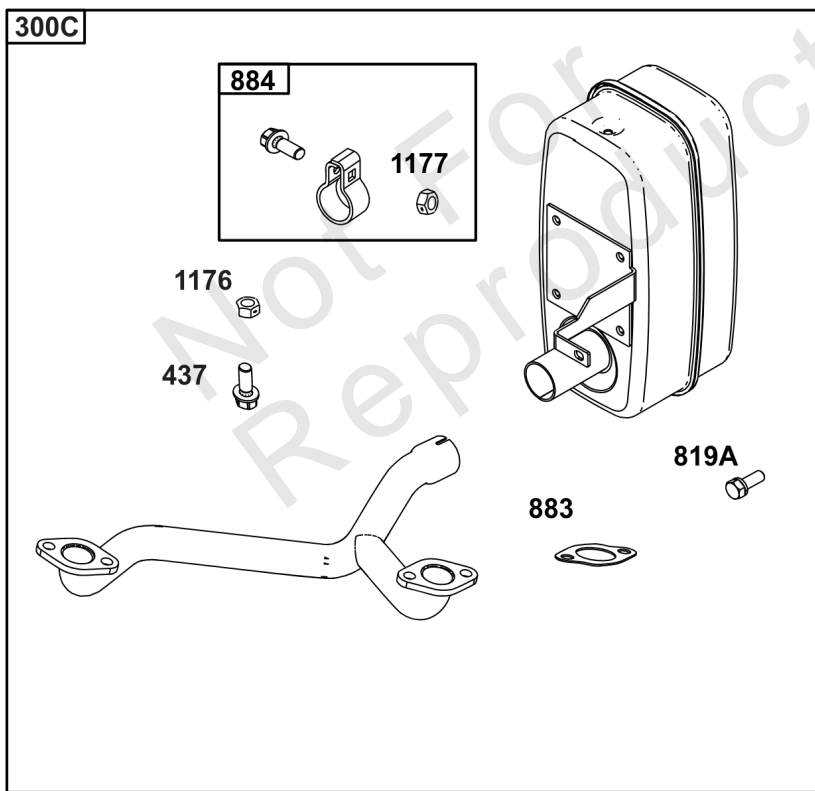
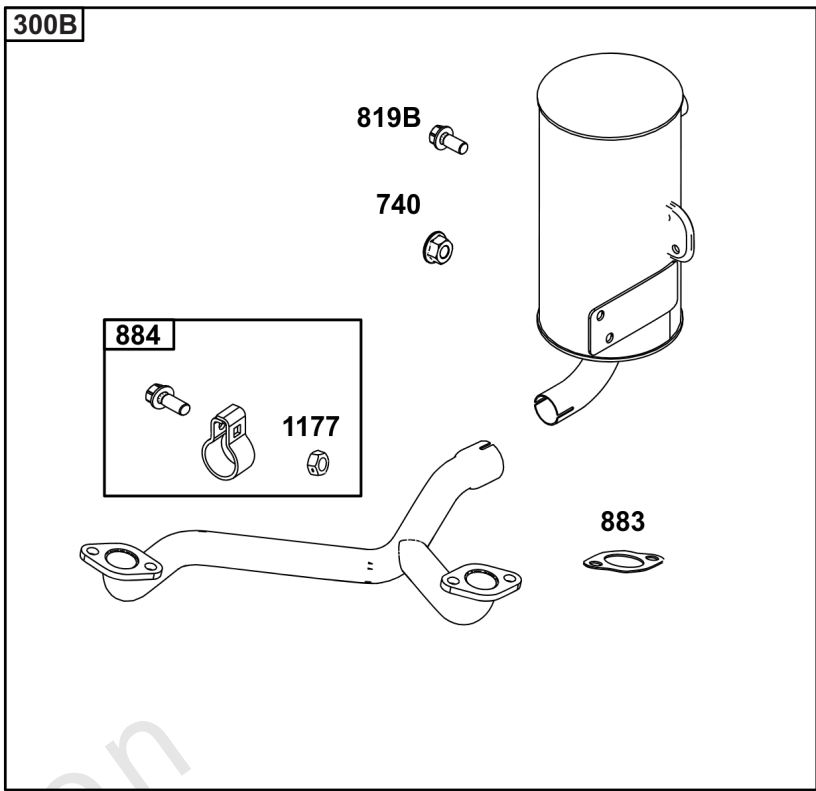
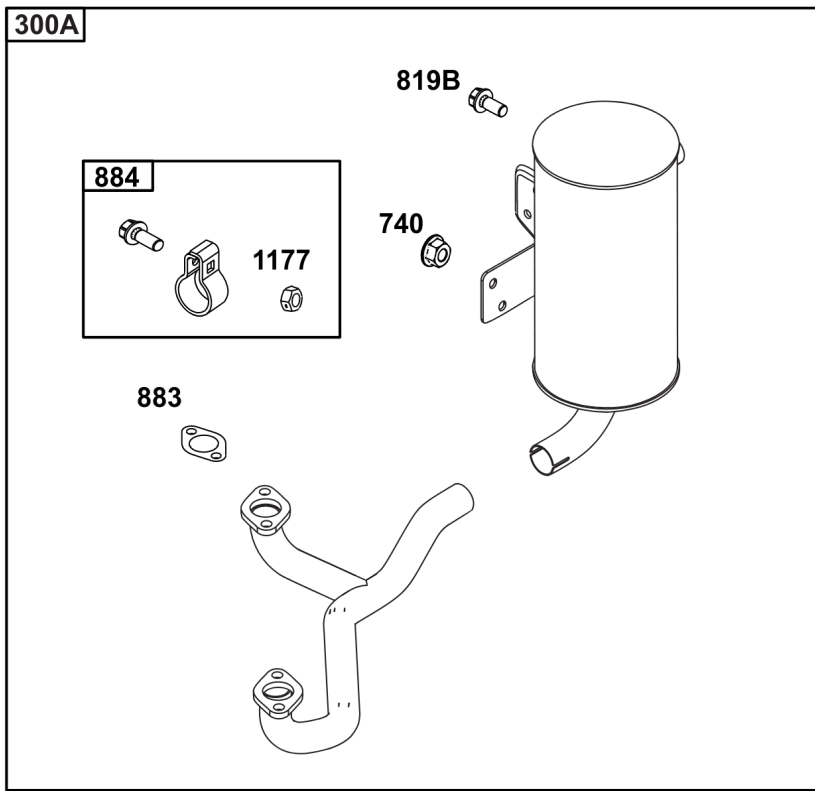
REF NO	PART NO	QTY	DESCRIPTION
186	796532	1	CONNECTOR, Hose -(Threaded Engine Block Connector for EZ-Oil Drain Hose) (Order hose separate)
239	690233	1	SWITCH, Oil Pressure -(2-4 PSI Normally-Closed Switch)
239A	491657S	1	SWITCH, Oil Pressure -(3-5 PSI Normally-Closed Switch)
239B	841281	1	SWITCH, Oil Pressure -(7-10 PSI Normally-Closed Switch)
239C	694115	1	SWITCH, Oil Pressure -(9-13 PSI Normally-Closed Switch)
239D	697049	1	SWITCH, Oil Pressure -(3-6 PSI Normally-Open Switch)
295B	594271	1	ADAPTER, Remote Oil Filter -(Remote Oil Filter Kit)
512	594200	1	HOSE, Oil Drain -(EZ-Oil Drain Hose, 10.5") (Order threaded engine block connector separate)
512	593635	1	HOSE, Oil Drain -(EZ-Oil Drain Hose, 13.75") (Order threaded engine block connector separate)
512B	1723165SM	1	HOSE, Oil Drain, 10-1/2" Long, 3/8-18 Fittings -(10.5")
512C	5048681SM	1	HOSE, OIL DRAIN -(12.5")
517	593633	1	RETAINER, Oil Drain
601	841597	4	CLAMP, Hose
1013	690954	1	NIPPLE, Oil Filter
1346	844802	1	VALVE, Oil Drain Shut Off
1346A	492031	1	VALVE, Oil Drain Shut Off
1346B	5401WEB	1	VALVE, Oil Drain Shut Off -(1/4 Turn Oil Drain Valve with Hose)
1374	796863	1	SEAL, O-Ring
1505	100169		OIL-1QT VANGUARD (CASE) -(1 qt. Bottle)
1505A	100170		OIL-5QT VANGUARD (CASE) -(5 qt. Bottle)

Implement Mounted Above Deck Mufflers



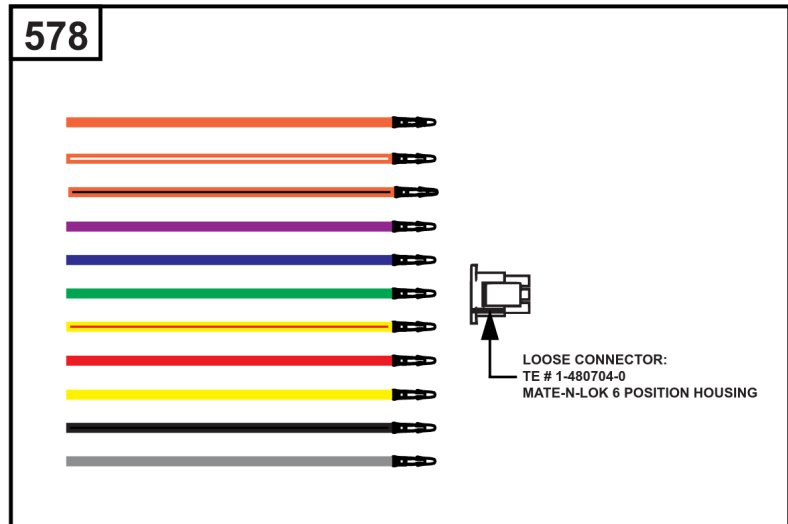
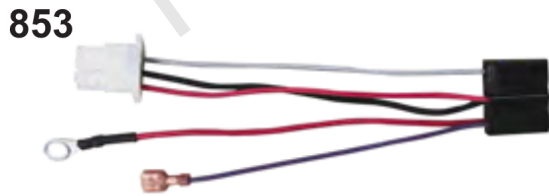
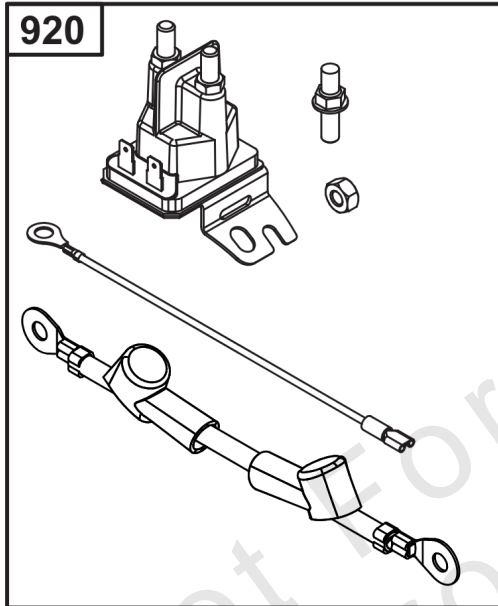
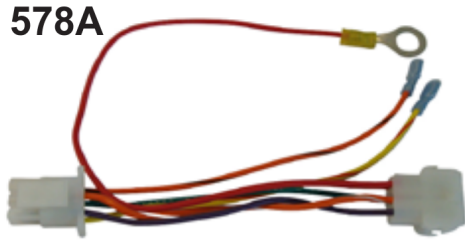
Implement Mounted Above Deck Mufflers

REF NO	PART NO	QTY	DESCRIPTION
300A	594585	1	MUFFLER -(Oil Filter Side Outlet) (Implement Supported) (O2 Sensor Port)
300B	595134	1	MUFFLER -(Oil Filter Side Outlet) (O2 Sensor Port)
300C	595135	1	MUFFLER -(Starter Side Outlet) (O2 Sensor Port)
300D	595136	1	MUFFLER -(Oil Filter Side Outlet)
264	703465	4	NUT, 5/16-18, GR5 -(Muffler Adapter)
355	5025292SM	4	WASHER, 5/16" GD.9 FL -(Muffler Bracket)
355A	5025155SM	2	WASHER, 5/16 -(Muffler Bracket)
415	596859	1	PLUG -(O2 Sensor Port)
437	703585	4	CAPSCREW, 5/16-18X1 -(Exhaust Manifold)
740	703164	2	NUT -(Muffler Bracket)
740A	703115	2	NUT -(Muffler Bracket)
819	690341	4	SCREW -(Muffler Bracket)
863	597480	1	BRACKET, Muffler
883	594365	2	GASKET, Exhaust
883A	690970	2	GASKET, Exhaust
1176	690941	4	NUT -(Exhaust Manifold)
1317	703116	4	LCKWSHR -(Exhaust Manifold)



Exhaust/Muffler Configurations

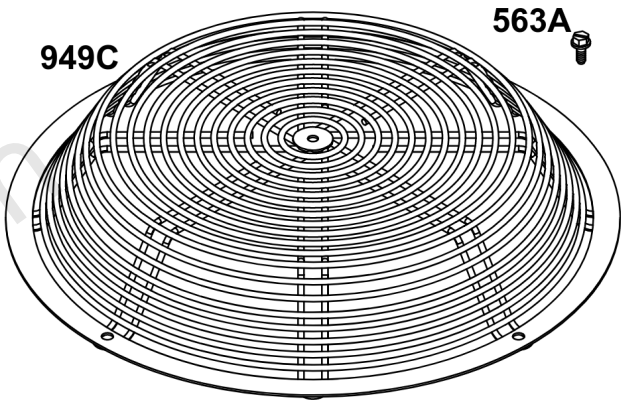
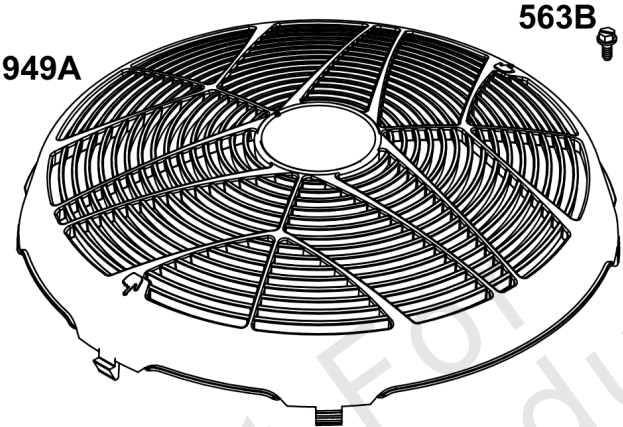
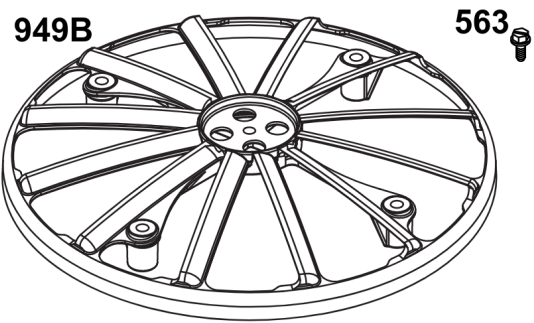
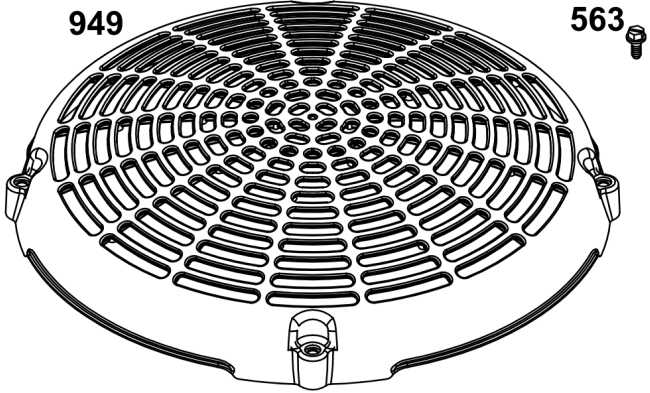
REF NO	PART NO	QTY	DESCRIPTION
300A	771127	1	MUFFLER -(Oil Filter Side Outlet)(Commercial & Professional Series)
300B	771128	1	MUFFLER -(Starter Side Outlet)(Commercial & Professional Series)
300C	595822	1	MUFFLER -(Starter Side Outlet)(Commercial & Professional Series)
300D	84003680	1	MUFFLER -(Oil Filter Side Outlet) (Commercial & Professional Series)(Vanguard 810 & 810 EFI) (Compatible with 593868 Spark Arrester, 593885 Spark Arrester with Deflector.) (Equipped with plug for blocking off O2 sensor port for non EFI engines.)
437	690341	4	SCREW -(Exhaust Manifold)
740	704067	2	NUT, HEX FLNG,5/16-18 -(Muffler Bracket)
819	592604	2	SCREW -(Muffler Bracket)
819A	695629	4	SCREW -(Muffler Bracket)
819B	692062	2	SCREW -(Muffler Bracket)
883	594365	2	GASKET, Exhaust
884	691956	1	CLAMP, Muffler
1176	690941	4	NUT -(Exhaust Manifold)
1177	793859	1	NUT -(Muffler)



Electrical

REF NO	PART NO	QTY	DESCRIPTION
578	84007350	1	WIRE ASSEMBLY -(Wire Harness Adapter Aids in repowering engine application with Male 6-Pin connector and wires create custom adapter configurations.)
578A	19631	1	TOOL, CUSTOM HARNESS -(6-pin Wire Harness Adapter) (Aids in repowering engine application to an EFI engine)
853	84003359	1	ADAPTER, WIRE -(Wire Harness Adapter) (Aids in repowering ExMark) (Flat 6-spade connector to Briggs & Stratton 6-Pin connector)
920	84002147	1	SOLENOID, STARTER -(Starter Solenoid Kit) (Aids in Repowering when original is solenoid shift)
983	5103809YP	1	LIGHT, Indicator -(MIL Light Indicator) (LED Red)
1616	19626	1	CODE READER -(Tiny Scan Code Reader)

Not For Reproduction

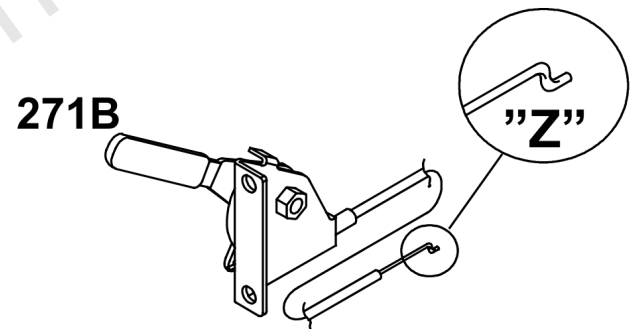
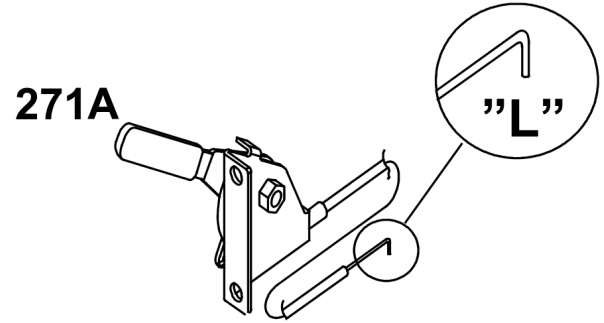
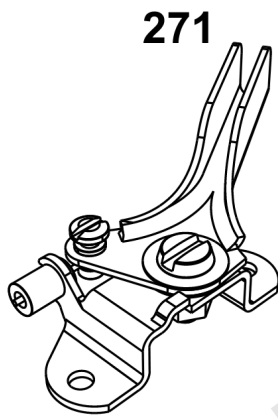
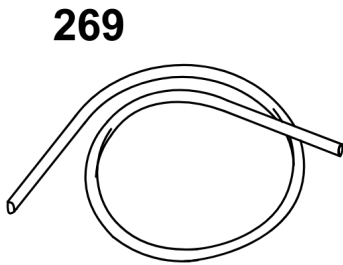
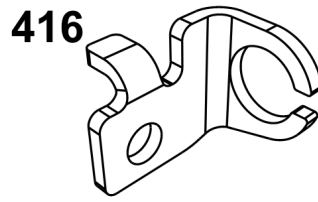
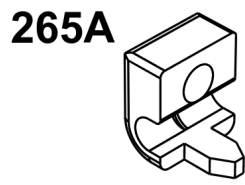
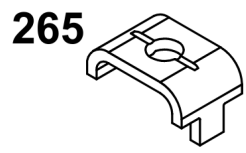


Not For
Reproduction

Flywheel Guards

REF NO	PART NO	QTY	DESCRIPTION
563	799360	1	SCREW -(Debris Screen Guard)
563A	597574	1	SCREW -(Debris Screen Guard)
563B	799359	1	SCREW -(Debris Screen Guard)
949	799357	1	GUARD, Debris Screen -(Static Cover Flywheel) (Requires 4 x 799360 Screw)
949A	797420YP	1	GUARD, Debris Screen -(Static Cover Flywheel High Flow) (Requires 4 x 799360 Screw)
949B	593206	1	GUARD, Debris Screen -(Static Cover Flywheel) (Requires 4 x 799359 Screw)
949C	597573	1	GUARD, Debris Screen -(Wire Static Flywheel Cover) (Requires 4x 597574 Screw) (For Commercial Series)

Not For Reproduction

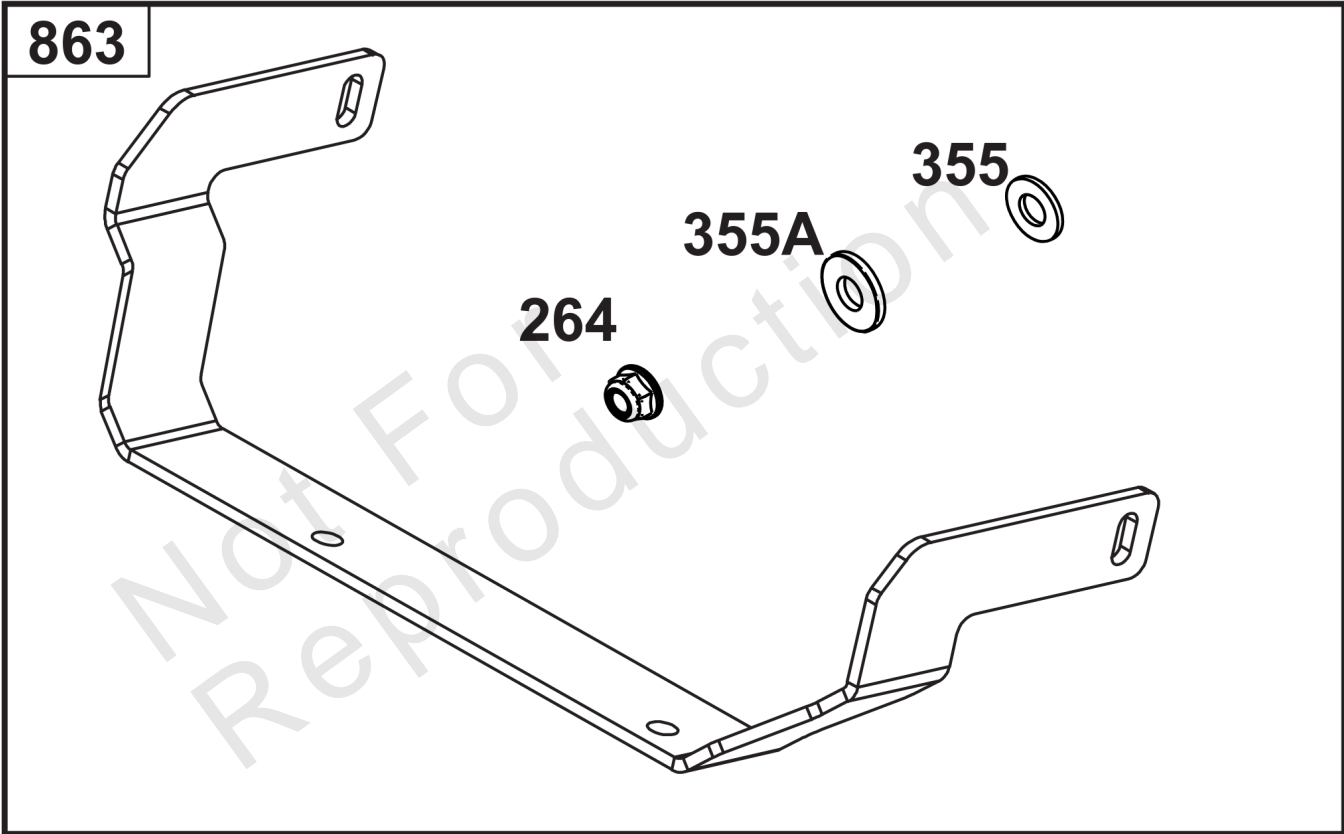
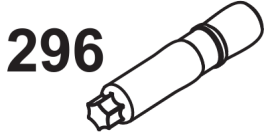


Not For
Reproduction

Speed Control

REF NO	PART NO	QTY	DESCRIPTION
265	691024	1	CLAMP, Casing -(Casing Clamp for Hard Casing)
265A	690798	1	CLAMP, Casing -(Casing Clamp for Soft Casing)
267	792629	1	SCREW -(Screw for Casing Clamp)
269	93907	1	WIRE, Control -(Control Wire 100')
271	691028	1	LEVER, Control -(Speed Control Lever Assembly)
271A	692105	1	LEVER, Control -("L" formed end Speed Control Lever Assembly)
271B	692541	1	LEVER, Control -("Z" formed end Speed Control Lever Assembly)
416	595196	1	BRACKET, Throttle Cable -(Casing Clamp for Snap-In Casing)

Not For Reproduction



Muffler Mounting Hardware

REF NO	PART NO	QTY	DESCRIPTION
264	703465	4	NUT, 5/16-18, GR5 -(Muffler Adapter)
296	591756	4	STUD -(Muffler)
355	5025292SM	4	WASHER, 5/16" GD.9 FL -(Muffler Bracket)
355A	5025155SM	2	WASHER, 5/16 -(Muffler Bracket)
613	690341	4	SCREW -(Muffler)
613A	690363	4	SCREW -(Muffler)
863	597480	1	BRACKET, Muffler
883	594365	2	GASKET, Exhaust
883A	690970	2	GASKET, Exhaust
1177	690941	4	NUT -(Muffler)

Not For Reproduction

