

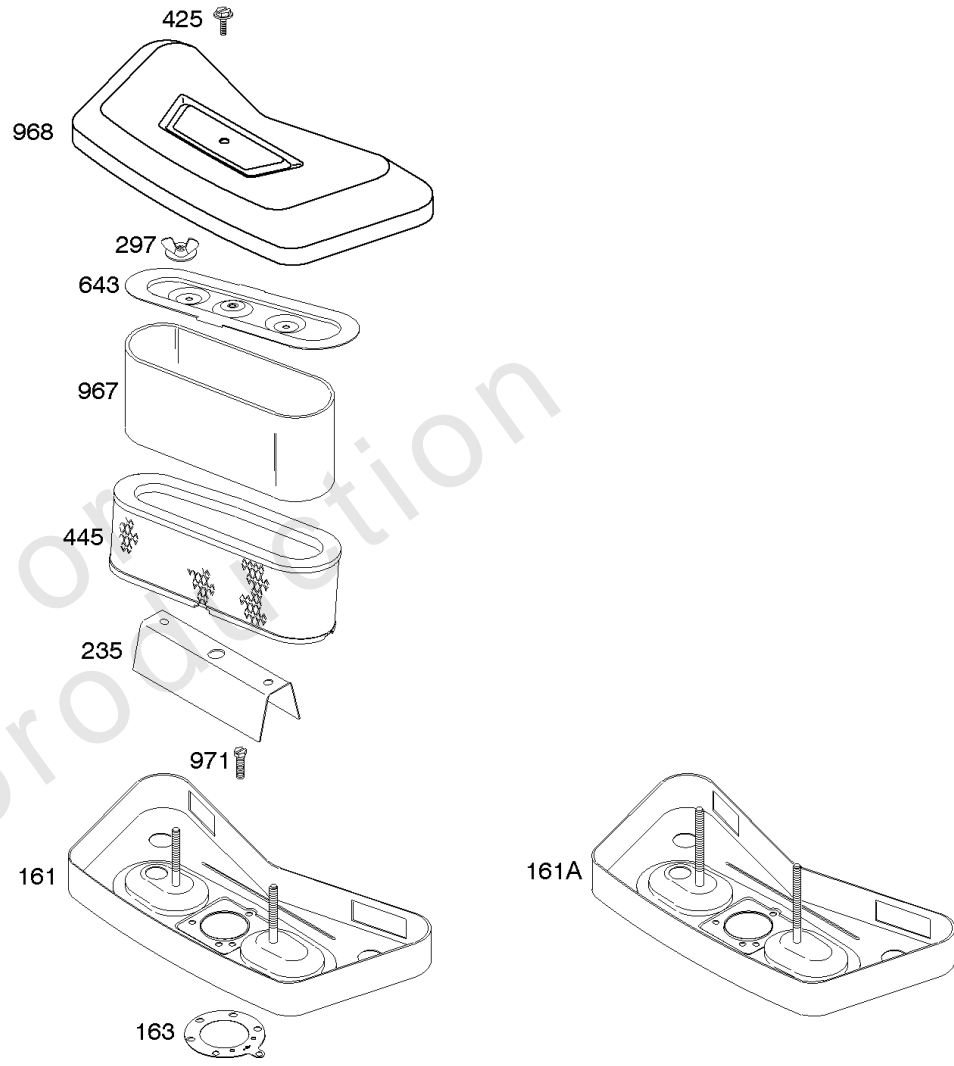


Parts Manual

Mfg. No: 42E707-2631-E1

Model Components	Page
Air Cleaner, Muffler.	4
Alternator, Controls, Wires, Ignition.	6
Blower Housing, Air Guides.	8
Camshaft, Crankshaft, Piston/Rings/Connecting Rods, Valves.	10
Carburetor (3-Screw Mount), Carburetor Overhaul Kit, Fuel Pump Kit.	12
Carburetor (4-Screw Mount), Carburetor Overhaul Kit, Fuel Pump Kit.	16
Crankcase Cover/Sump.	20
Cylinder, Cylinder Heads, Crankcase Cover/Sump, Engine Gasket Set, Valve Gasket Set, Intake Manifold.	22
Electric Starters.	26
Flywheel.	28
Lubrication.	30
Replacement Engine - US & Canada.	32

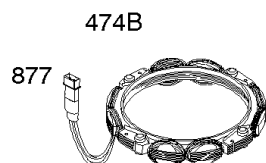
Not For
Reproduction



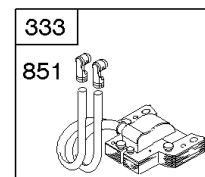
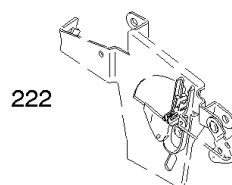
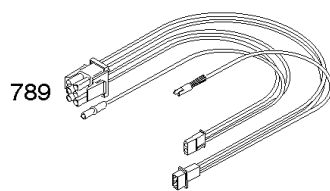
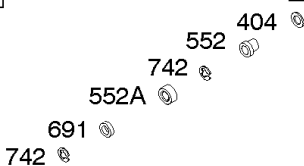
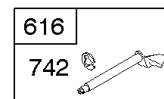
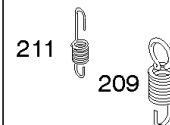
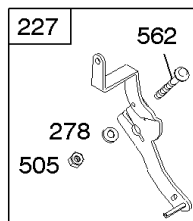
Air Cleaner, Muffler

REF NO	PART NO	QTY	DESCRIPTION
161	691401		BASE, Air Cleaner -(Metal)
161A	694064		BASE, Air Cleaner -(Metal)
163	690273		GASKET, Air Cleaner -(Air Cleaner)
235	691206		SHIELD, Fuel Spray
297	691331		NUT -(Air Filter Retainer)
425	691675		SCREW -(Air Cleaner Cover)
445	394019S		FILTER, A/C Cartridge
643	496700		RETAINER, Air Filter
967	272490S		FILTER, Pre Cleaner
968	691207		COVER, Air Cleaner
971	691100		SCREW -(Air Cleaner Base) (Remote Choke)

Not For Reproduction



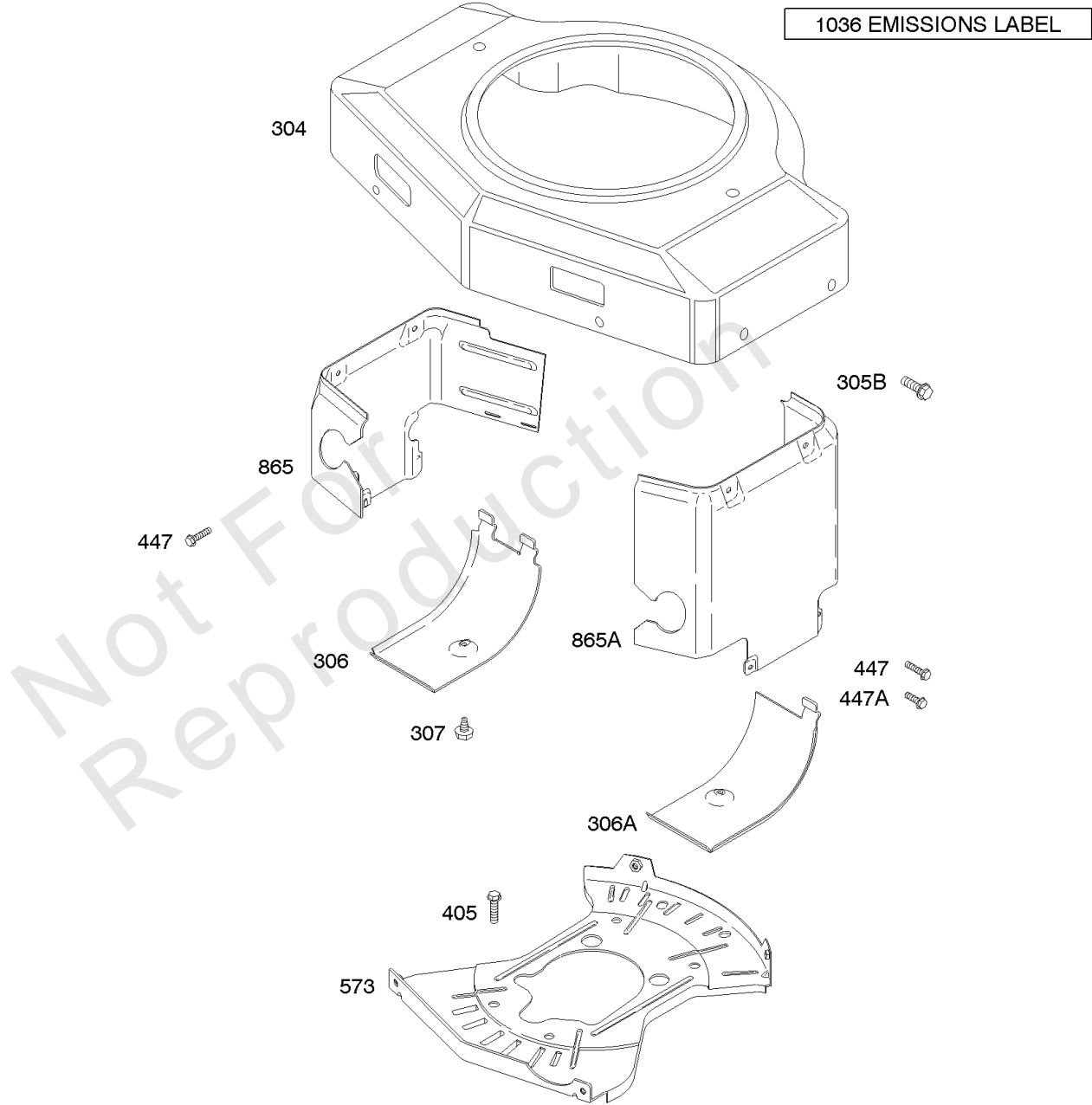
1119 



Not For
Reproduction

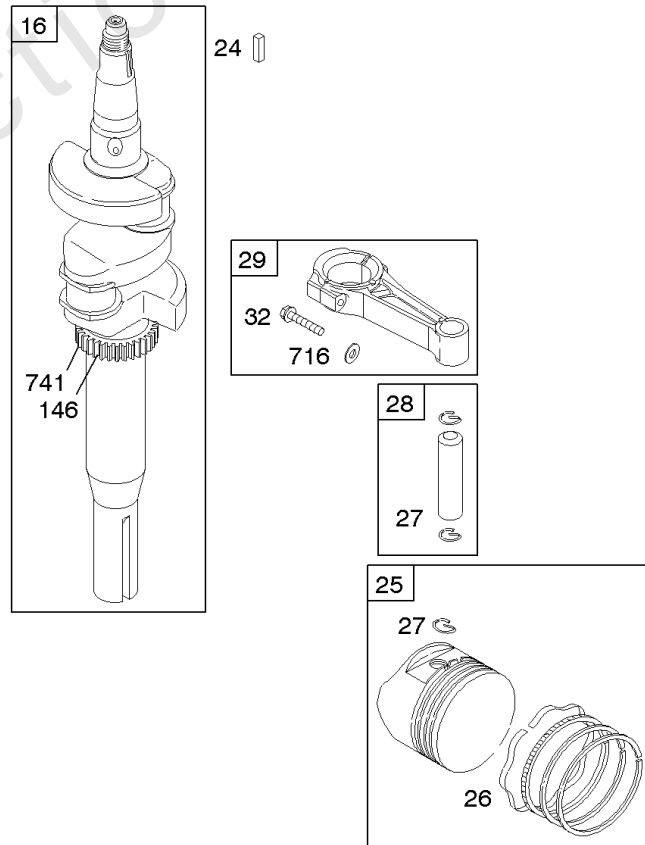
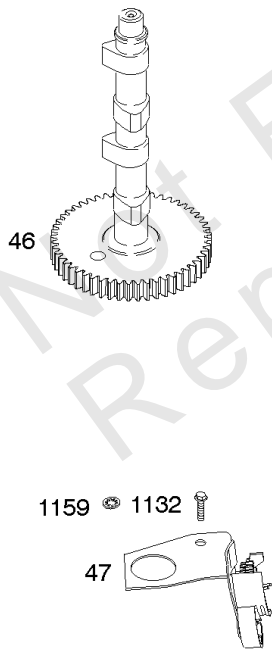
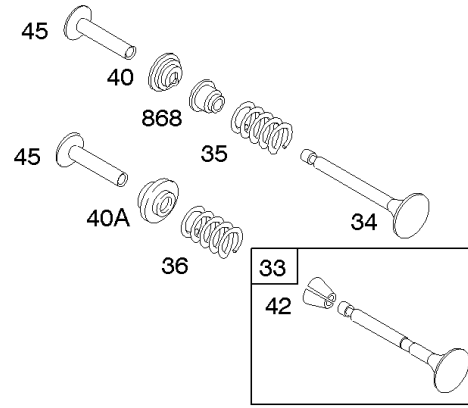
Alternator, Controls, Wires, Ignition

REF NO	PART NO	QTY	DESCRIPTION
188	691003		SCREW -(Control Bracket)
205	690322		SCREW -(Bell Crank)
209	691273		SPRING, Governor -(White)
211	691807		SPRING, Governed Idle
222	-----		Bracket-Control -(NO LONGER AVAILABLE)
227	690762		LEVER, Governor Control
268	691025		CASING, Control Wire -(Cut To Required Length)
269	691026		WIRE, Control -(Cut To Required Length)
270	691027		NUT -(Control Wire Casing)
271	691028		LEVER, Control
278	692810		WASHER -(Governor Lever)
333	394891		ARMATURE, Magneto -(Magnetron Ignition)
334	691061		SCREW -(Magneto Armature)
356	690807		WIRE, Stop -(1 Wire, 15-13/16)(Snap Connect Insulated Female Blade Terminal,And Snap Connect Insulated Pin Socket)
404	690442		WASHER -(Governor Crank)
474B	696459		ALTERNATOR -(Dual Circuit)
505	691029		NUT -(Governor Control Lever)
552	690553		BUSHING, Governor Crank
552A	690552		BUSHING-GOV CRANK
562	690311		BOLT -(Governor Control Lever)
616	491530		CRANK, Governor
689	-----		Spring-Friction -(NO LONGER AVAILABLE)
691	690657		SEAL, Governor Shaft
742	690328		RETAINER, E Ring
789	695050		HARNESS, Wiring -(6 Pin Customer Conversion)
851	493880S		TERMINAL-SPARK PLUG
877	393456		WIRE/CONNECTOR, Alternator -(Dual Circuit)
1054	280275		TIE, Cable
1119	691183		SCREW -(Alternator)
1136	690329		SCREW -(Control Bracket) (High Speed Control)
1137	690390		WASHER -(Control Bracket) (High Speed Control)
1138	690330		NUT -(Control Bracket) (High Speed Control)



Blower Housing, Air Guides

REF NO	PART NO	QTY	DESCRIPTION
304	691391		HOUSING, Blower -(Red)
305B	692198		SCREW -(Blower Housing)
306	690414		SHIELD, Cylinder
306A	690435		SHIELD, Cylinder
307	691003		SCREW -(Cylinder Shield)
405	690364		SCREW -(Back Plate)
447	690297		SCREW -(Air Guide Cover)
447A	691003		SCREW -(Air Guide Cover)
573	696040		PLATE-BACK
865	691196		COVER-AIR GUIDE
865A	691197		COVER-AIR GUIDE
1036	-----		Label-Emissions -(Available From A Briggs & Stratton Authorized Dealer)

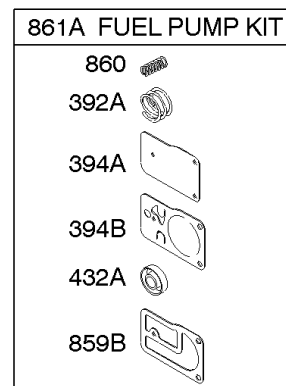
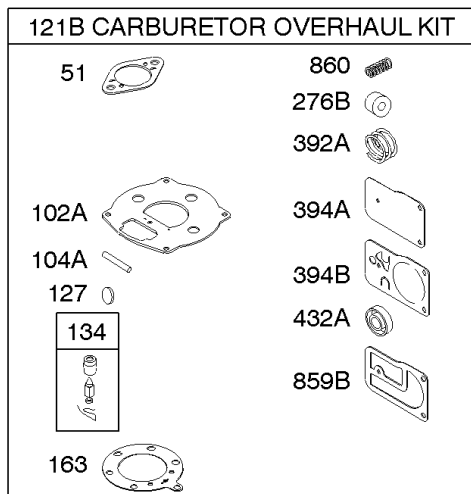
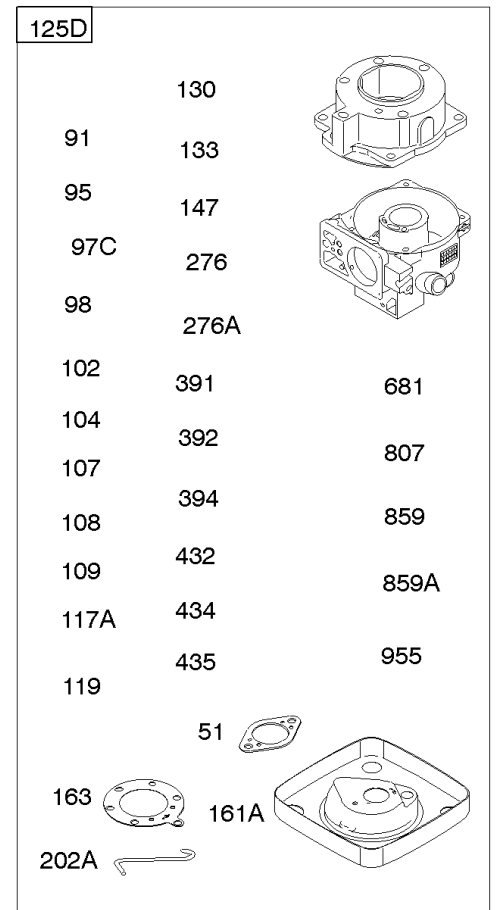
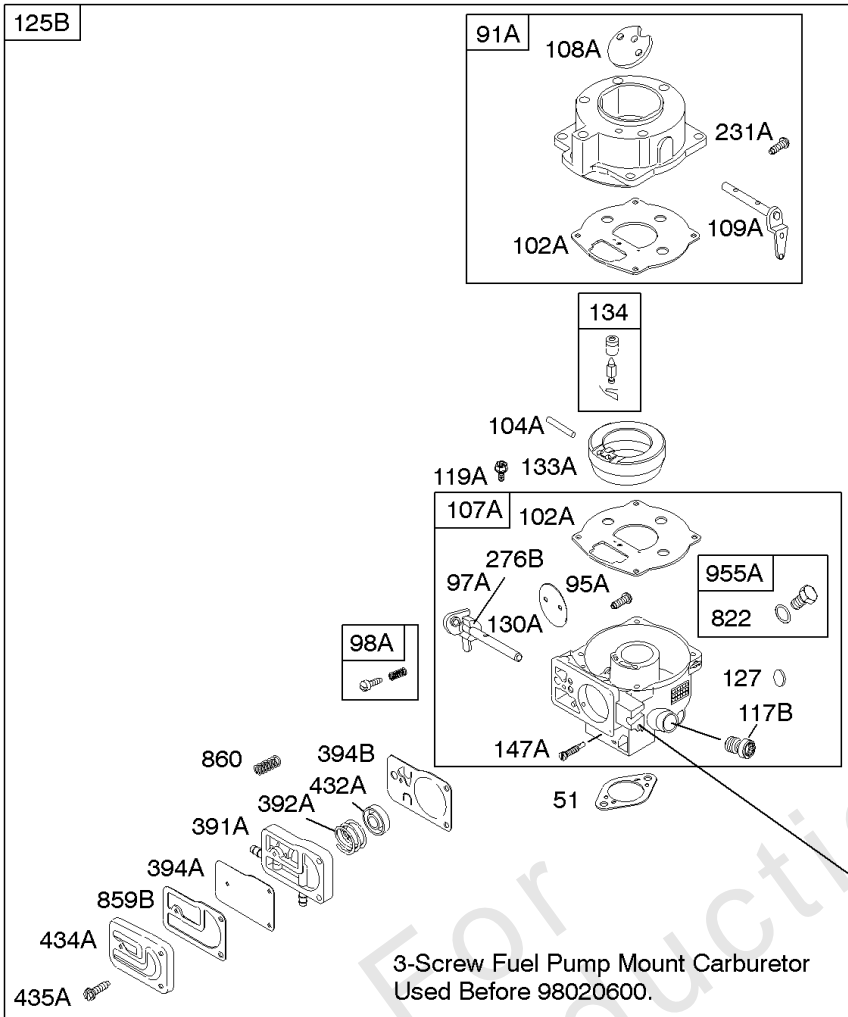


Camshaft, Crankshaft, Piston/Rings/Connecting Rods, Valves

REF NO	PART NO	QTY	DESCRIPTION
16	690636		CRANKSHAFT
24	222698S		KEY, Flywheel
25	498586		PISTON ASSEMBLY -(.020 Oversize)
25	498584		PISTON ASSEMBLY -(Standard)
26	394962		SET, Ring -(.030 Oversize)
26	394959		SET, Ring -(Standard)
26	394961		SET, Ring -(.020 Oversize)
27	691299		LOCK, Piston Pin -Used After Code Date 95101400
27	691792		LOCK, Piston Pin -Used Before Code Date 95101500
28	391286		PIN, Piston -(.005 Oversize) -Used Before Code Date 95101500
28	498319		PIN, Piston -(Standard) -Used After Code Date 95101400
28	498320		PIN, Piston -(.005 Oversize) -Used After Code Date 95101400
28	299691		PIN, Piston -(Standard) -Used Before Code Date 95101500
29	394306		ROD, Connecting -(Standard)
29	397158		ROD, Connecting -(.020 Undersize)
32	691133		SCREW -(Connecting Rod)
33	691794		VALVE, Exhaust
34	691804		VALVE-INTAKE
35	691605		SPRING, Valve -(Intake)
36	691597		SPRING, Valve -(Exhaust)
40	690656		RETAINER, Valve -(Intake)
40A	691939		RETAINER-VALVE -(Exhaust)
42	494553		KEEPER, Valve -(Exhaust)
45	691800		TAPPET, Valve
46	-----		Camshaft -(NO LONGER AVAILABLE)
47	691964		GEAR, Governor
146	691639		KEY, Woodruff
716	220863		WASHER -(Connecting Rod)
741	691285		GEAR, Timing
868	692324		SEAL, Valve -(Black)
1132	690353		SCREW -(Oil Slinger)
1159	690286		WASHER -(Oil Slinger)

Carburetor (3-Screw Mount), Carburetor Overhaul Kit, Fuel Pump Kit

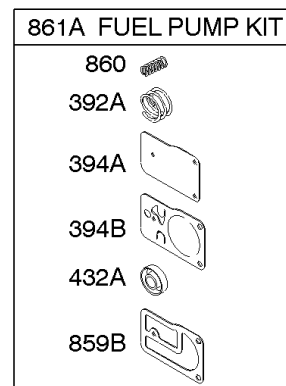
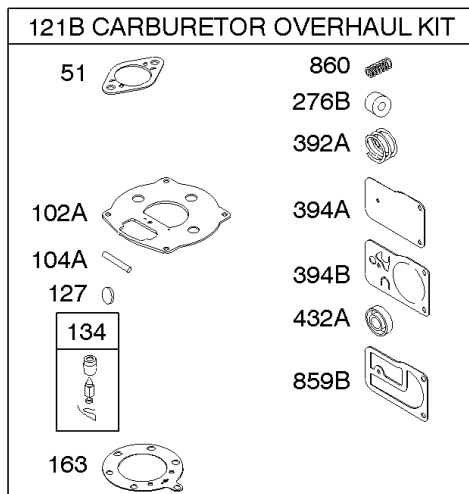
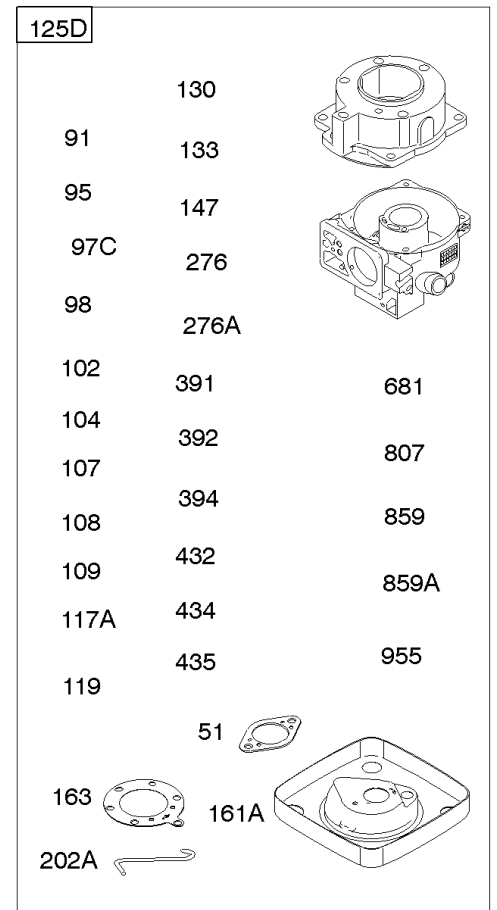
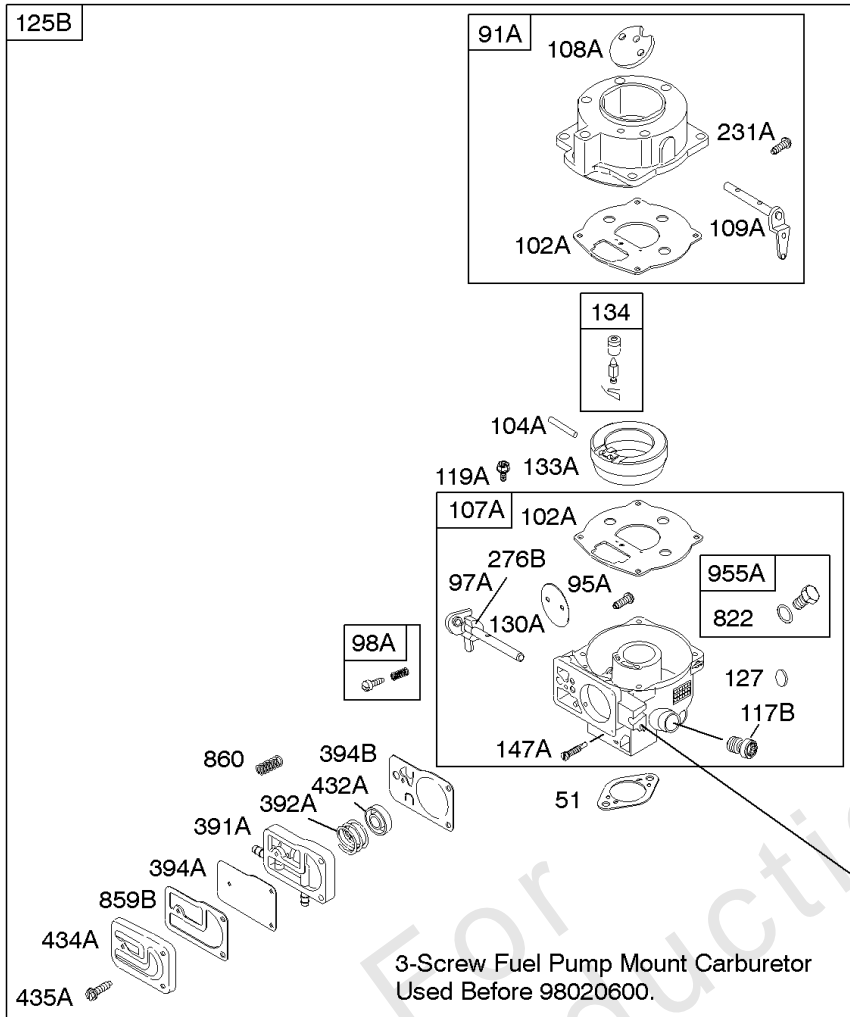
Mfg. No: 42E707-2631-E1



Not For Reproduction

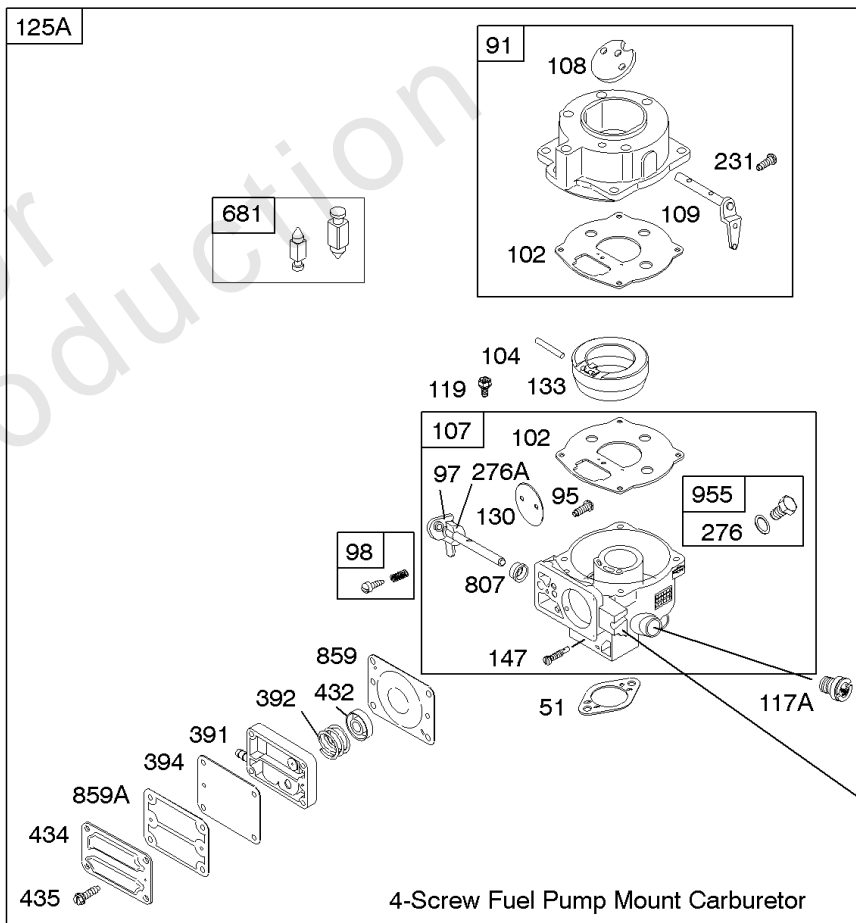
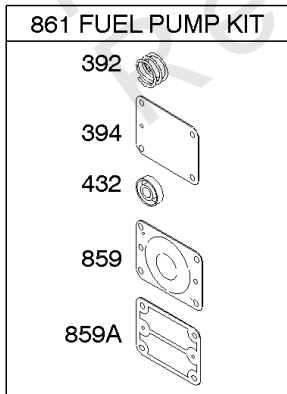
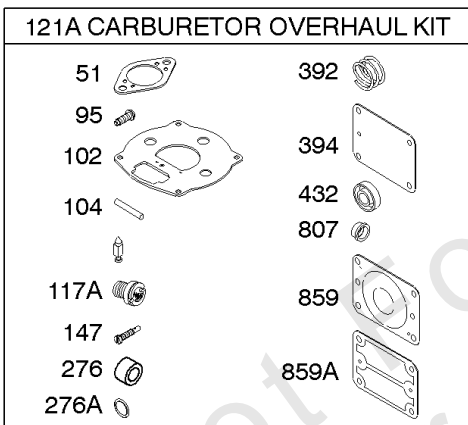
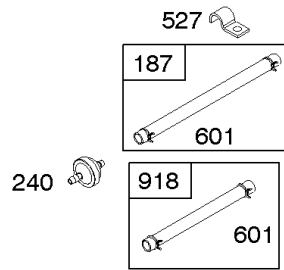
Carburetor (3-Screw Mount), Carburetor Overhaul Kit, Fuel Pump Kit

REF NO	PART NO	QTY	DESCRIPTION
51	692278		GASKET, Intake
91	693483		BODY, Upper Carburetor
91A	-----		Body-Upper Carburetor -(No Longer Available) (See Reference 125C for Service Carburetor)
95	690718		SCREW -(Throttle Valve)
95A	691437		SCREW -(Throttle Valve)
97A	-----		Shaft-Throttle -(NO LONGER AVAILABLE)
97C	693486		SHAFT, Throttle
98	807923		KIT, Idle Speed
98A	693942		KIT, Idle Speed
102	693509		GASKET, Carburetor Body
102A	273186S		GASKET, Carburetor Body
104	693506		PIN-FLOAT HINGE
104A	691775		PIN, Float Hinge
107	693482		BODY, Lower Carburetor
107A	-----		Body-Lower Carburetor -(No Longer Available) (See Reference 125C for Service Carburetor)
108	693505		VALVE, Choke
108A	691233		VALVE, Choke
109	693498		SHAFT, Choke
109A	691957		SPRING, Valve
117A	693507		JET, Main -(Standard)
117B	691773		JET, Main -(Standard)
117C	691253		JET, Main -(Standard)
118B	231333		JET, Main -(High Altitude)
119	690720		SCREW -(Upper To Lower Carburetor Body)
119A	691090		SCREW -(Upper To Lower Carburetor Body)
125B	-----		Carburetor -(3 Screw Fuel Pump Mount)(Service With Reference 125A)
125D	694026		CARBURETOR -(Nikki)
127	691739		PLUG-WELCH
130	693504		VALVE, Throttle
130A	691727		VALVE, Throttle
133	693512		FLOAT, Carburetor
133A	692265		FLOAT-CARBURETOR
134	394682		KIT, Needle/Seat -(Gravity Feed)
147	693508		JET, Pilot
147A	691431		JET, Pilot
161A	694064		BASE, Air Cleaner -(Metal)
163	690273		GASKET, Air Cleaner -(Air Cleaner)
202A	693543		LINK, Mechanical Governor
231A	691437		SCREW -(Choke Valve)



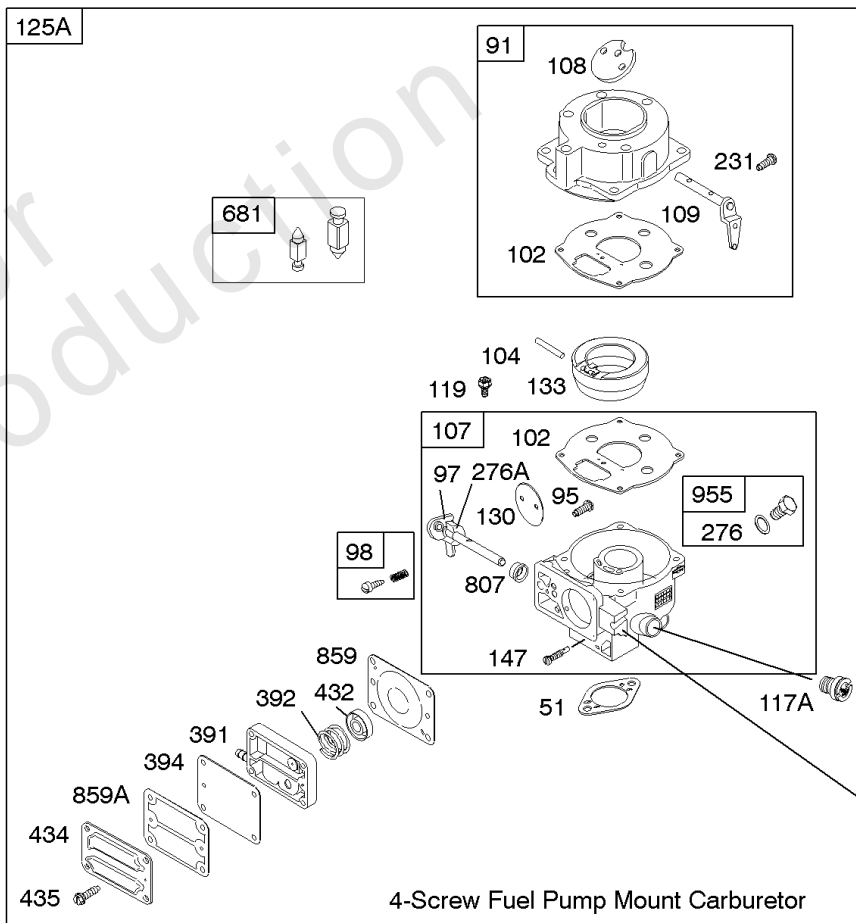
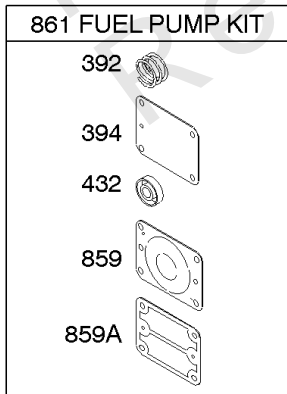
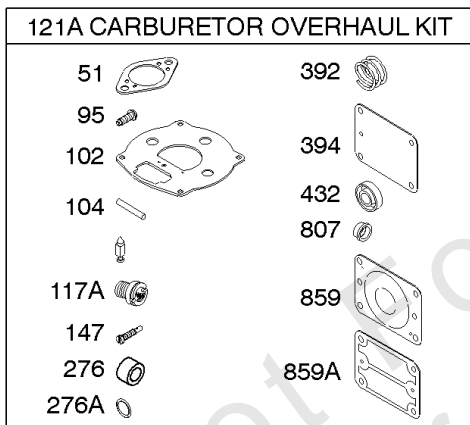
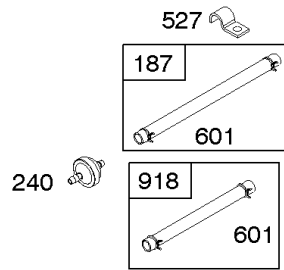
Carburetor (3-Screw Mount), Carburetor Overhaul Kit, Fuel Pump Kit

REF NO	PART NO	QTY	DESCRIPTION
267	690316		SCREW -(Casing Clamp)
276	693497		WASHER, Sealing -(Carburetor Plug)
276A	693510		WASHER, Sealing -(Foam)
276B	691872		WASHER, Sealing -(Foam)
391	693487		BODY, Fuel Pump
391A	691896		BODY, Fuel Pump
392	693491		SPRING, Pump Diaphragm
392A	691801		SPRING, Pump Diaphragm
394	693489		DIAPHRAGM, Carburetor
394A	691871		DIAPHRAGM, Carburetor
394B	272638S		DIAPHRAGM-CARB.
432	693492		CAP, Spring
432A	690766		CAP-SPRING
434	693493		COVER, Diaphragm
434A	690434		COVER, Diaphragm
435	693494		SCREW -(Diaphragm Cover)
435A	691085		SCREW -(Diaphragm Cover)
681	808798		VALVE, Float Needle
807	693511		SPACER -(Throttle)
822	691319		WASHER, Sealing -(Carburetor Plug)
859	693488		GASKET, Carburetor Pump
859A	693490		GASKET, Carburetor Pump
859B	691873		GASKET, Carburetor Pump
860	691799		SPRING, Diaphragm
861A	393397		KIT, Fuel Pump -(Used On 3 Screw Fuel Pump Mount Carburetors)
947A	397266		SOLENOID, Fuel -Used Before Code Date 98091400
955	693513		PLUG, Carburetor
955A	397882		PLUG, Carburetor -(Solenoid Hole)



Carburetor (4-Screw Mount), Carburetor Overhaul Kit, Fuel Pump Kit

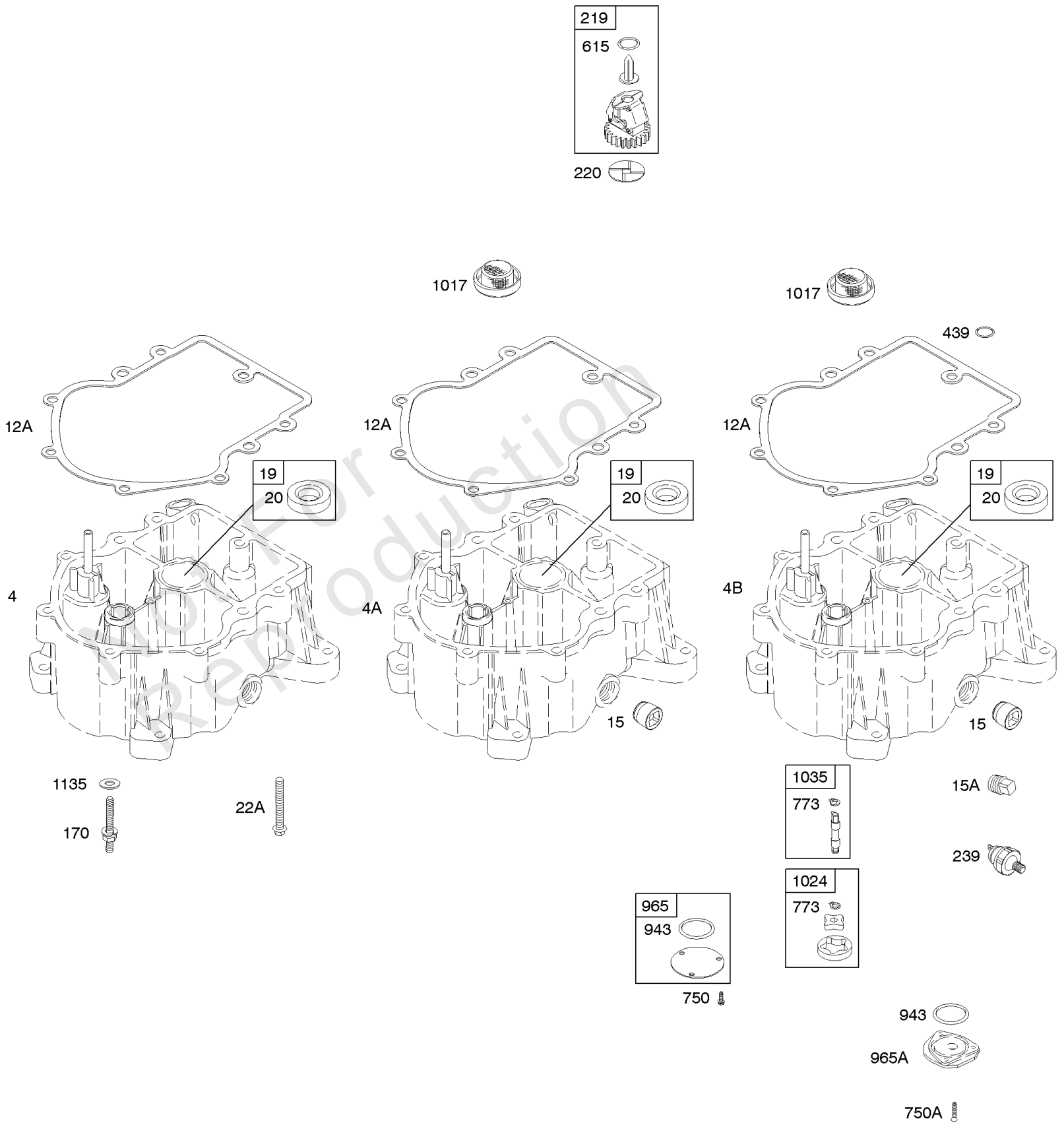
REF NO	PART NO	QTY	DESCRIPTION
51	692278		GASKET, Intake
91	693483		BODY, Upper Carburetor
95	690718		SCREW -(Throttle Valve)
97	693485		SHAFT, Throttle
98	807923		KIT, Idle Speed
102	693509		GASKET, Carburetor Body
104	693506		PIN-FLOAT HINGE
107	693482		BODY, Lower Carburetor
108	693505		VALVE, Choke
109	693498		SHAFT, Choke
117A	693507		JET, Main -(Standard)
118A	693499		JET, Main -(High Altitude)
119	690720		SCREW -(Upper To Lower Carburetor Body)
121A	693503		KIT-CARB OVERHAUL -(Used On 4 Screw Fuel Pump Mount Carburetors)
121A	694056		KIT, Carburetor Overhaul -(Used On 3 Screw Fuel Pump Mount Carburetors)
125A	693480		CARBURETOR -(4 Screw Fuel Pump Mount)
130	693504		VALVE, Throttle
133	693512		FLOAT, Carburetor
147	693508		JET, Pilot
187	841589		LINE, Fuel -(Cut To Required Length)
231	690718		SCREW -(Choke Valve)
240	394358S		FILTER, Fuel
267	690316		SCREW -(Casing Clamp)
276	693497		WASHER, Sealing -(Carburetor Plug)
276A	693510		WASHER, Sealing -(Foam)
391	693487		BODY, Fuel Pump
392	693491		SPRING, Pump Diaphragm
394	693489		DIAPHRAGM, Carburetor
432	693492		CAP, Spring
434	693493		COVER, Diaphragm
435	693494		SCREW -(Diaphragm Cover)
527	690423		CLAMP, Tube
601	791850		CLAMP, Hose
681	808798		VALVE, Float Needle
807	693511		SPACER -(Throttle)
859	693488		GASKET, Carburetor Pump
859A	693490		GASKET, Carburetor Pump
861	693502		KIT, Fuel Pump -(Used On 4 Screw Fuel Pump Mount Carburetors)
918	393815		HOSE, Vacuum -(Cylinder To Impulse Pump)(Cut to Required Length)
947	693495		SOLENOID, Fuel -Used After Code Date 98091300



Carburetor (4-Screw Mount), Carburetor Overhaul Kit, Fuel Pump Kit

REF NO	PART NO	QTY	DESCRIPTION
955	693513		PLUG, Carburetor

Not For Reproduction

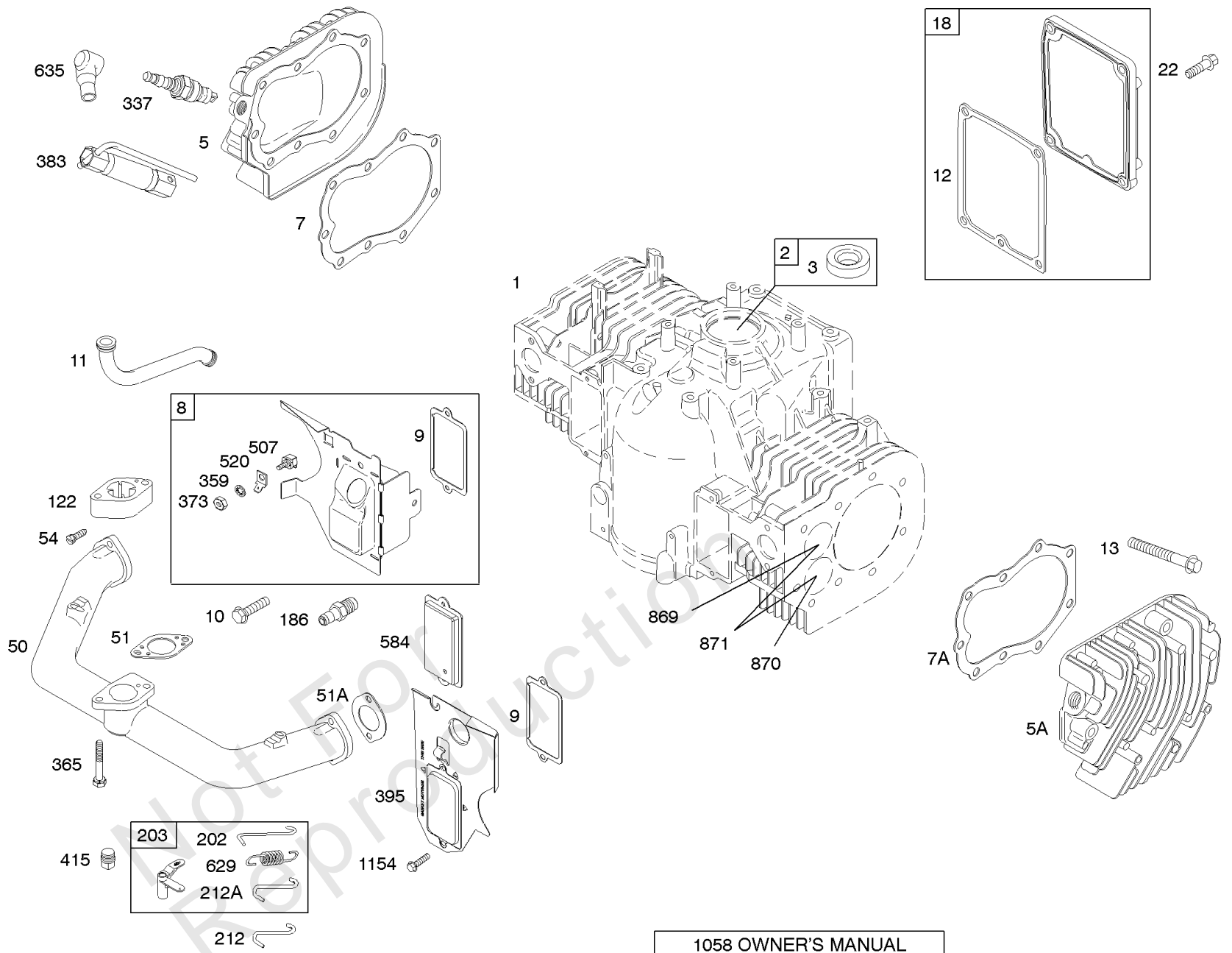


Crankcase Cover/Sump

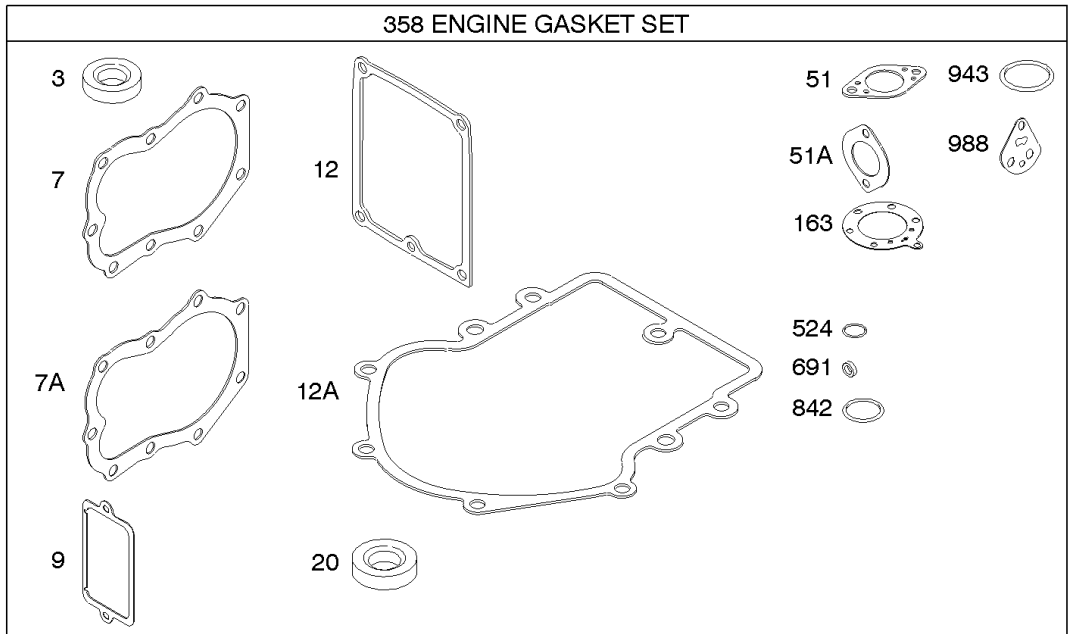
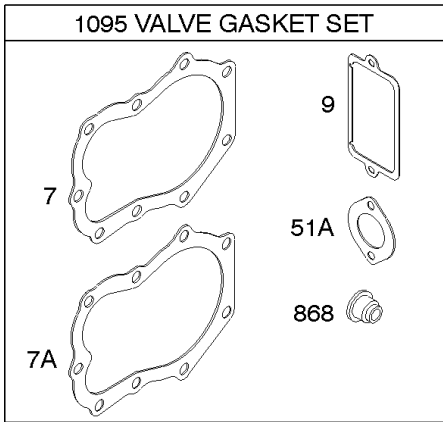
REF NO	PART NO	QTY	DESCRIPTION
4	-----		Sump-Engine -(NO LONGER AVAILABLE)
12A	271188		GASKET, Crankcase -(.005)
12A	692292		GASKET, Crankcase -(.015)(Standard)
12A	271189		GASKET, Crankcase -(.009)
15	691680		PLUG, Oil Drain -(1/2" Square Flush)
15A	690946		PLUG, Oil Drain -(3/8" Standard)
19	399264		KIT, Bushing/Seal -(PTO Side)
20	291675S		SEAL, Oil -(PTO Side)
22A	693972		SCREW -(Crankcase Cover/Sump)
219	698231		GEAR, Governor
220	690412		WASHER -(Governor Gear)
239	491657S		SWITCH, Oil Pressure
439	690589		SEAL, O-Ring -(Crankcase Cover/Sump) or (Cylinder Assembly)
615	698290		RETAINER, Governor Shaft
750	691108		SCREW -(Oil Pump Cover) -Used After Code Date 98011100
750A	690336		SCREW -(Oil Pump Cover) -Used Before Code Date 98011200
773	692334		RETAINER
943	690589		SEAL, O-Ring -(Oil Pump Cover)
965	499613		COVER, Oil Pump -Used After Code Date 98011100
965A	-----		Cover-Oil Pump -(NO LONGER AVAILABLE) -Used Before Code Date 98011200
1017	690770		SCREEN, Oil Pump
1024	499054		PUMP, Oil
1035	693158		SHAFT, Pump

Cylinder, Cylinder Heads, Crankcase Cover/Sump, Engine Gasket Set, Valve Gasket Set,

Mfg. No: 42E707-2631-E1



1058 OWNER'S MANUAL

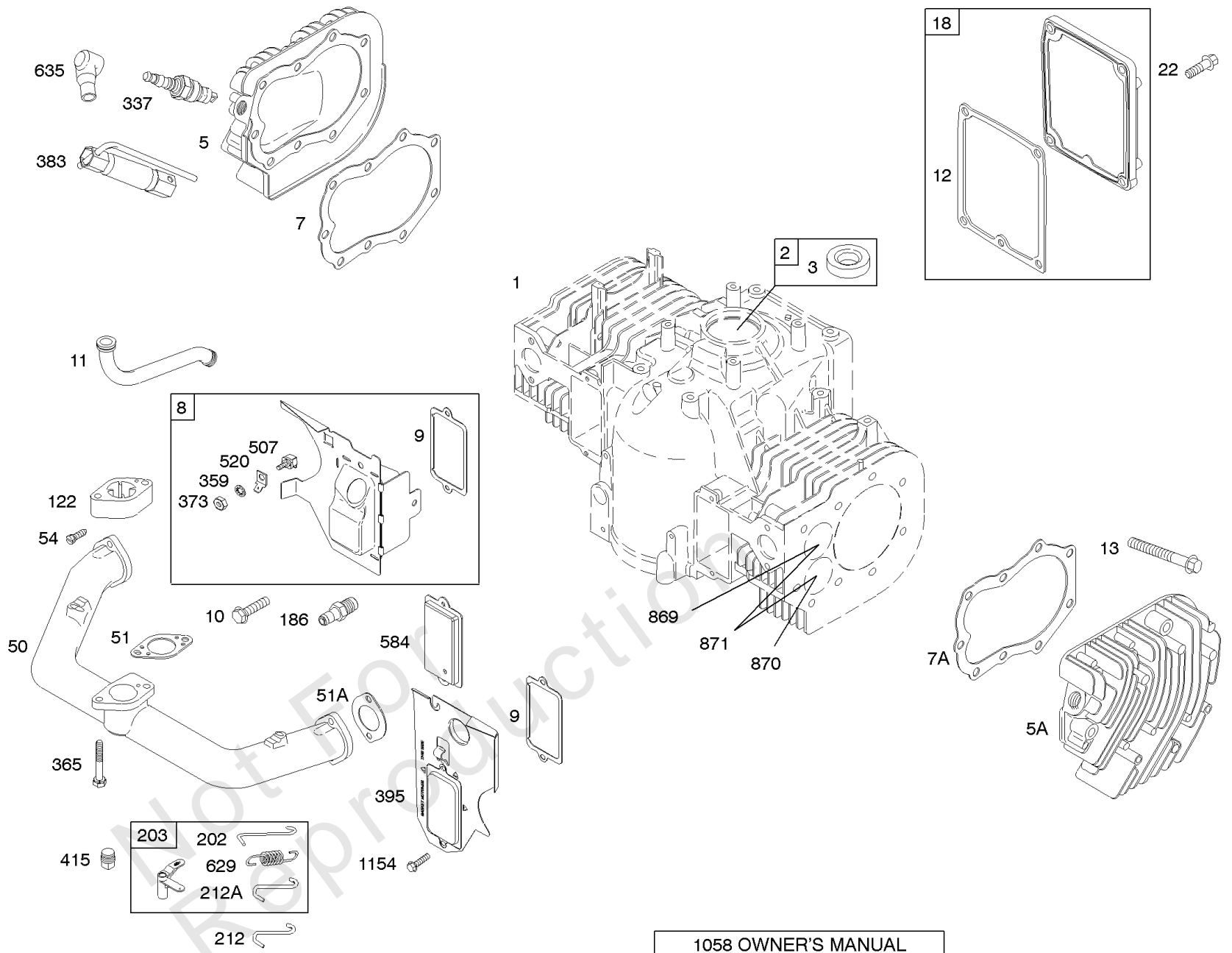


Cylinder, Cylinder Heads, Crankcase Cover/Sump, Engine Gasket Set, Valve Gasket Set,

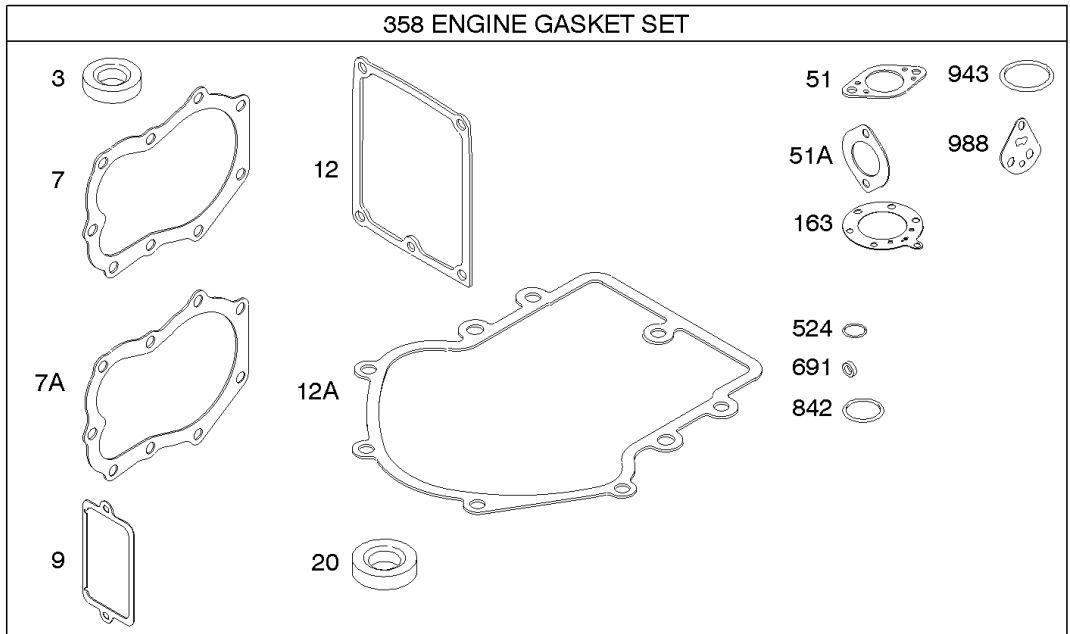
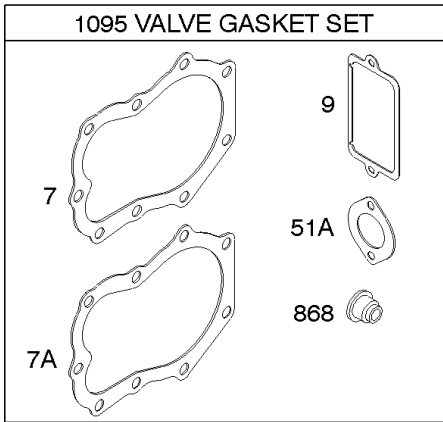
REF NO	PART NO	QTY	DESCRIPTION
1	-----		Cylinder Assembly -(NO LONGER AVAILABLE)
2	399265		KIT, Bushing/Seal -(Magneto Side)
3	391086S		SEAL, Oil -(Magneto Side)
5	493457		HEAD, Cylinder -(Cylinder 1)
5A	493458		HEAD, Cylinder -(Cylinder 2)
7	271867S		GASKET, Cylinder Head -(Cylinder 1)
7A	271868S		GASKET, Cylinder Head -(Cylinder 2)
8	495754		BREATHER ASSEMBLY -(Cylinder 1)
9	27803S		GASKET, Breather
10	690334		SCREW -(Breather Assembly)
11	691899		TUBE, Breather
12	692287		GASKET, Crankcase
12A	692292		GASKET, Crankcase -(.015)(Standard)
12A	271189		GASKET, Crankcase -(.009)
12A	271188		GASKET, Crankcase -(.005)
13	691651		SCREW -(Cylinder Head)
18	495901		COVER-CRANKCASE
20	291675S		SEAL, Oil -(PTO Side)
22	691104		SCREW -(Crankcase Cover/Sump)
50	691709		MANIFOLD, Intake
51	692278		GASKET, Intake
51A	692219		GASKET, Intake
54	93208		SCREW -(Intake Manifold)
122	691928		SPACER, Carburetor
163	690273		GASKET, Air Cleaner -(Air Cleaner)
186	691764		CONNECTOR-HOSE -(Pulse Line)
202	690570		LINK, Mechanical Governor
203	493230		LINK, Throttle
212	693544		LINK, Throttle -(Used On 4 Screw Fuel Pump Mount Carburetors)
212A	690571		LINK, Throttle -(Used On 3 Screw Fuel Pump Mount Carburetors)
337	802592S		PLUG, Spark -(Resistor)
358	495868		GASKET SET, Engine
359	691077		WASHER -(Ground Terminal)
365	690321		SCREW -(Carburetor)
373	691612		NUT -(Ground Terminal)

Cylinder, Cylinder Heads, Crankcase Cover/Sump, Engine Gasket Set, Valve Gasket Set,

Mfg. No: 42E707-2631-E1



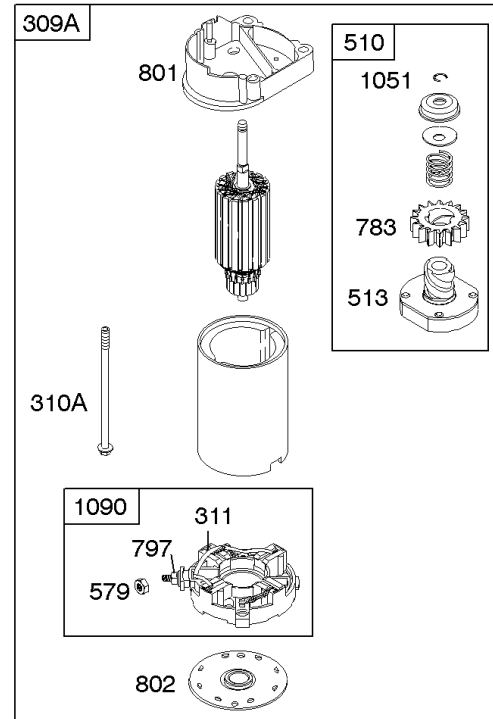
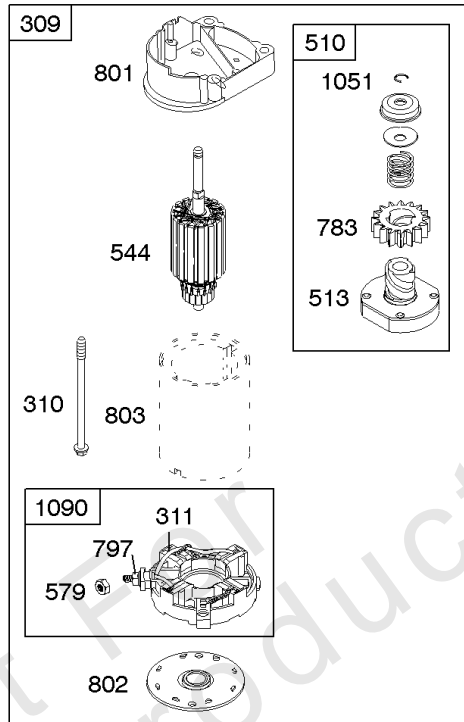
1058 OWNER'S MANUAL



Cylinder, Cylinder Heads, Crankcase Cover/Sump, Engine Gasket Set, Valve Gasket Set,

REF NO	PART NO	QTY	DESCRIPTION
383	89838S		WRENCH-SPARK PLUG
395	690481		COVER, Valve Chamber
415	690283		PLUG, Oil -(Oil Pressure Switch)
507	691972		INSULATOR
520	691084		TERMINAL, Ground
524	692532		SEAL, O-Ring -(Dipstick Tube)
584	690415		COVER, Breather Passage
629	262539		SPRING, Throttle Return -(Throttle Return)
635	66538S		BOOT, Spark PLug
691	690657		SEAL, Governor Shaft
842	271170		SEAL, O-Ring -(Dipstick Tube)
868	692324		SEAL, Valve -(Black)
869	691802		SEAT, Valve -(Intake)
870	691844		SEAT-VALVE -(Exhaust)
871	231218		BUSHING, Valve Guide -(Intake)
871	261961		BUSHING, Valve Guide -(Exhaust)
943	690589		SEAL, O-Ring -(Oil Pump Cover)
988	691313		GASKET, Oil Adapter
1058	272112		MANUAL, Operator's -(Non Emission)
1058	274796		MANUAL, Operator's -(Emission)
1095	498047		GASKET SET, Valve
1154	690366		SCREW -(Valve Chamber Cover)

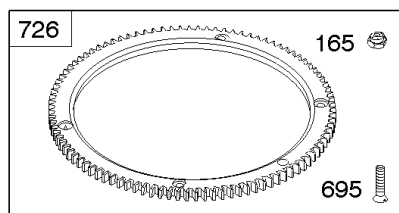
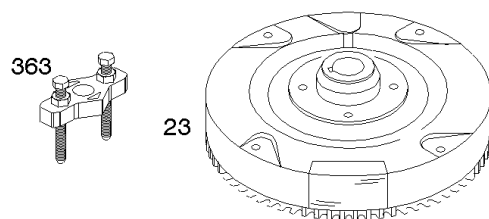
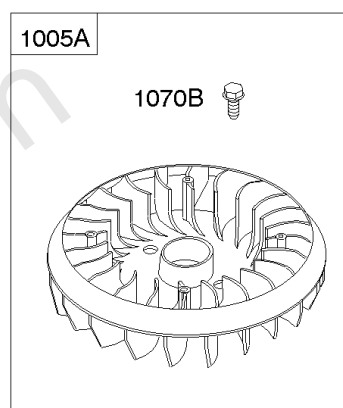
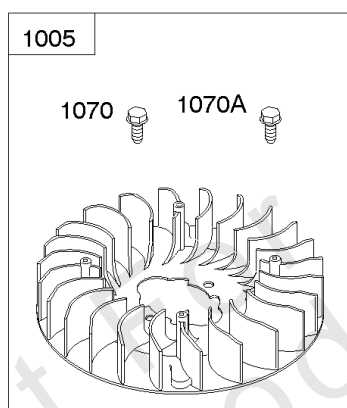
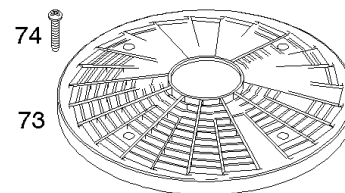
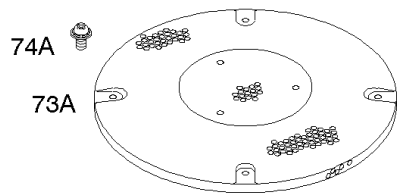
697 



Not for Reproduction

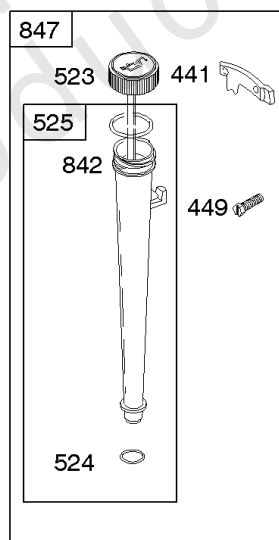
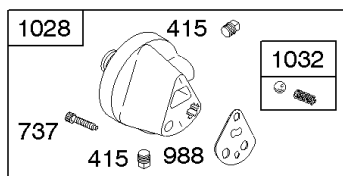
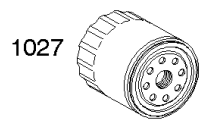
Electric Starters

REF NO	PART NO	QTY	DESCRIPTION
309	497596		MOTOR, Starter -(3 5/8 Housing)
309A	498148		MOTOR, Starter -(4 3/8 Housing)
310	690323		SCREW -(Starter Motor) (3 5/8" Housing Length)
310A	691263		BOLT -(Starter Motor) (4 3/8 Housing)
311	497608		SET, Brush
510	696541		DRIVE, Starter
513	692024		CLUTCH, Drive
544	692034		ARMATURE, Starter -(3 5/8 Housing)
579	690958		NUT -(Starter Cable)
697	693972		SCREW -(Drive Cap)
783	695708		GEAR-PINION
797	693167		NUT -(Brush Retainer)
801	691967		CAP, Drive
802	691286		CAP, End
803	-----		Housing-Starter -(NO LONGER AVAILABLE)
1051	691265		RING, Retaining
1090	691293		RETAINER, Brush



Flywheel

REF NO	PART NO	QTY	DESCRIPTION
23	691976		FLYWHEEL
73	691438		SCREEN, Rotating -(Plastic)
74	691134		SCREW -(Rotating Screen)
74A	691677		SCREW -(Rotating Screen)
75	691056		WASHER -(Flywheel)
165	693148		NUT -(Ring Gear)
332	691059		NUT -(Flywheel)
363	19203		PULLER, Flywheel
695	693149		SCREW -(Ring Gear)
726	391362		GEAR, Ring -(Includes Mounting Hardware)
934	691058		SCREW -(Fan Retainer)
1005	498157		FAN, Flywheel
1005A	499603		FAN, Flywheel
1070	691677		SCREW -(Flywheel Fan) (2/3)
1070A	691134		SCREW -(Flywheel Fan) (1)
1070B	691674		SCREW -(Flywheel Fan) (1 1/2)



Not For
Reproduction

Lubrication

REF NO	PART NO	QTY	DESCRIPTION
415	690283		PLUG, Oil -(Oil Pressure Switch)
441	691176		BRACKET-OIL FILL
449	691044		SCREW -(Oil Fill Bracket)
523	691385		DIPSTICK
524	692532		SEAL, O-Ring -(Dipstick Tube)
525	690823		TUBE, Dipstick
737	690332		SCREW -(Oil Filter Adapter)
842	271170		SEAL, O-Ring -(Dipstick Tube)
847	495715		DIPSTICK/TUBE ASSEMBLY
988	691313		GASKET, Oil Adapter
1027	492932S		FILTER, Oil -(2 1/4" Long)
1028	491721		ADAPTER, Oil Filter
1032	491710		SPRING, Compression

Not For Reproduction

Replacement Engine - US & Canada

REF NO	PART NO	QTY	DESCRIPTION
	-----		No engine replacement. Repair engine with individual parts.
	-----		Top No-Load Speed: 3300 -Trim: ALL

Not For Reproduction

