



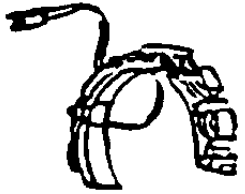

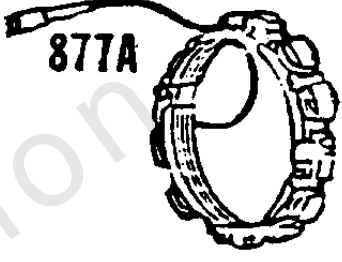
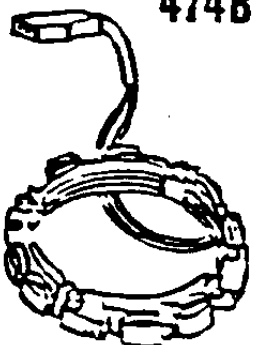





# Parts Manual

Mfg. No: 402437-0696-01



<b>Model Components</b>	<b>Page</b>
Alternator Chart.....	4
BlowerHsg,Mufflers,Shielding.....	6
Carburetor Assemblies.....	8
Carburetor Assemblies, A/C.....	12
Cylinder,Cylinder Heads,Sump.....	16
Electric Starter and Chart.....	22
Fuel Tank,Flywheel,Screens.....	24
Replacement Engine - US & Canada.....	28
Model 40, 44 & 49 Engine Accessories Catalog.....	29
Maintenance Kits.....	30
Engine Mounted Below Deck Mufflers.....	32
Engine Mounted Above Deck Mufflers.....	34
Spark Arrester/Deflector.....	36
Lubrication.....	38
Implement Mounted Above Deck Mufflers.....	40
Exhaust/Muffler Configurations.....	42
Electrical.....	44
Flywheel Guards.....	46
Speed Control.....	48
Muffler Mounting Hardware.....	50

Not For  
Reproduction

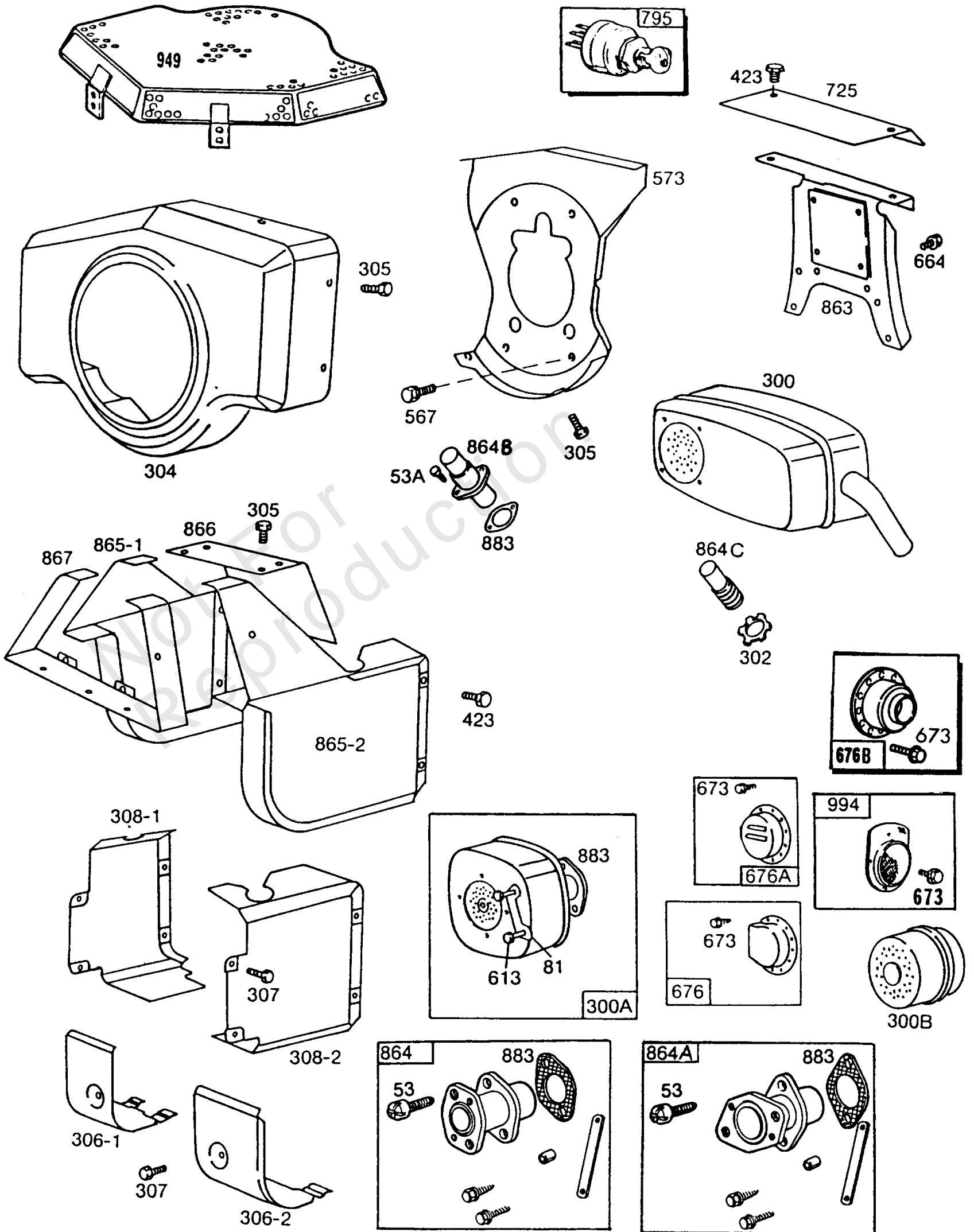
DC ONLY	DUAL CIRCUIT	TRI-CIRCUIT	16 AMP
23	23	23	NOTE under 23
887 877B 	474 877 	474A 877A 	474B 
878A 	878 	814 	878A 
			501 

NOTE ; All stators use No. 482 Mtg. Screw

## Alternator Chart

REF NO	PART NO	QTY	DESCRIPTION
23	392956		FLYWHEEL
474B	393295		ALTERNATOR -(10, 13, or 16 Amp-Depending on Size of Flywheel Magnets) (Regulated)
474A	392595		ALTERNATOR -(Tri Circuit) (9 Amp Regulated)
474	393474		ALTERNATOR -(Dual Circuit)
501	394890		REGULATOR -(10, 13, or 16 Amp, Depending on Size of Flywheel Magnets)
814	392606		HARNESS, Alternator -(Tri Circuit)
877A	393537		WIRE/CONNECTOR, Alternator -(Tri Circuit) (9 Amp)
877B	393814		WIRE/CONNECTOR, Alternator -(10 Amp Regulated)
877	393456		WIRE/CONNECTOR, Alternator
878A	393422		WIRE ASSEMBLY -(Dc Only)
878	393362		HARNESS, Alternator -(Dual Circuit)

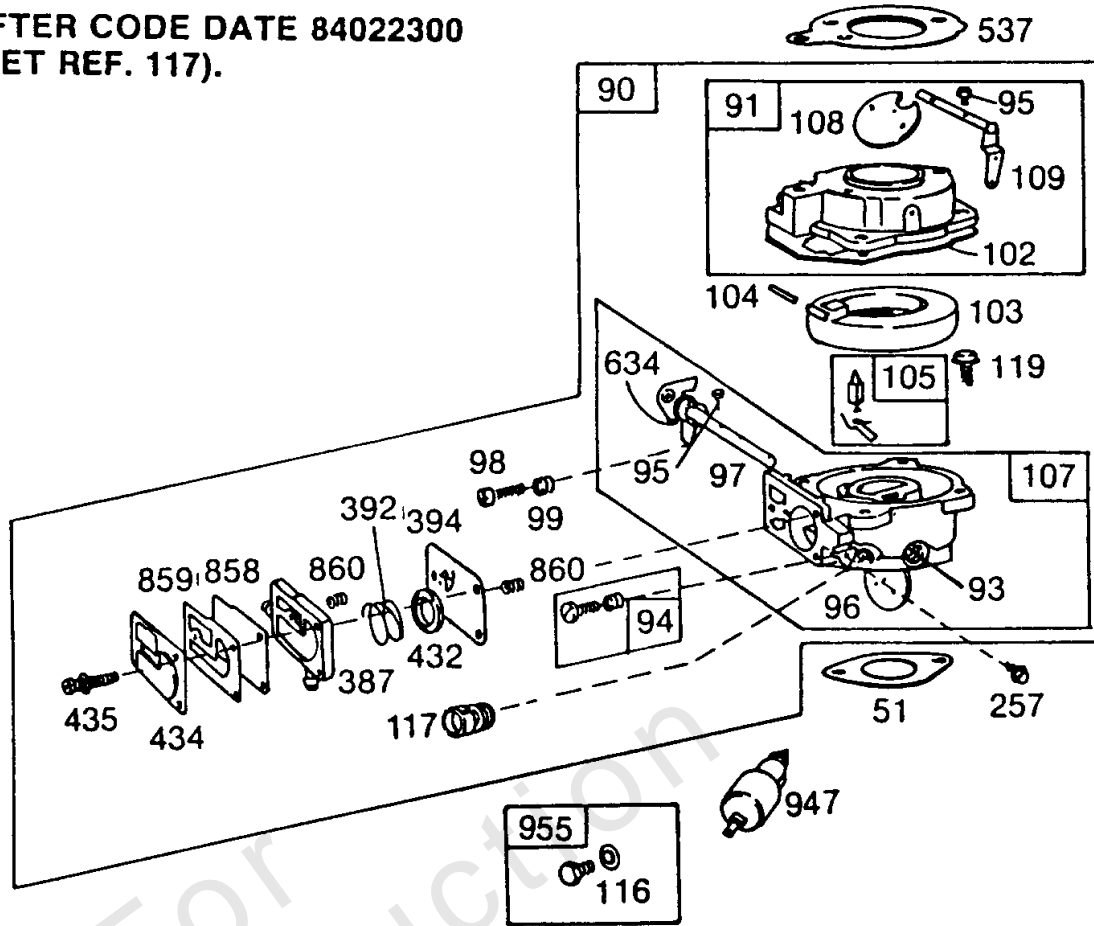
Not For Reproduction



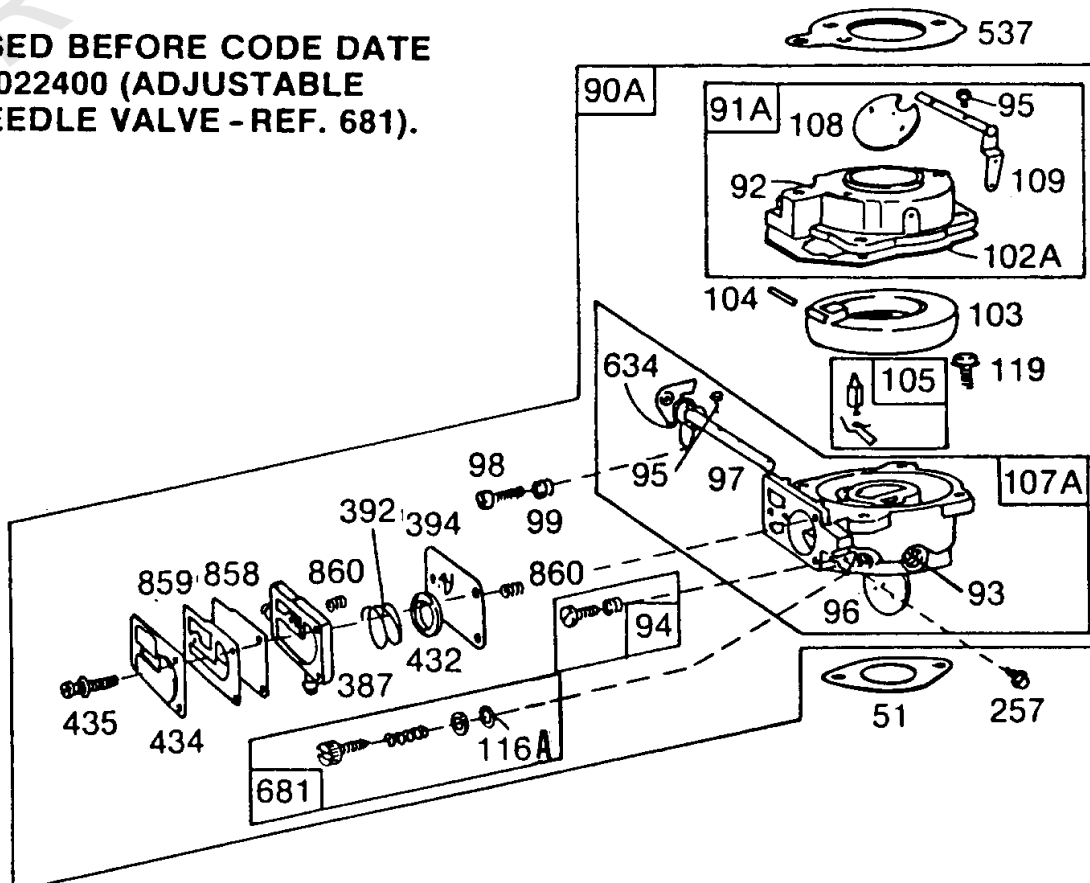
## BlowerHsg,Mufflers,Shielding

REF NO	PART NO	QTY	DESCRIPTION
53A	93415		SCREW -(1/4-20 X 3/4)
53	93414		SCREW
81	223016		LOCK, Muffler Screw
300B	392989		MUFFLER
300A	394237		MUFFLER
300	394200		MUFFLER
302	261409		LOCKNUT -(Muffler and Elbow)
304	392681		HOUSING, Blower
305	93158		SCREW -(1/4-20 X 5/8)
306-1	222846		SHIELD, Cylinder
306-2	222847		SHIELD, Cylinder -Use on Engines with 3-5/8 or Shorter Starter Motor
307	93163		SCREW
308-1	222848		COVER, Air Guide
308-2	222849		COVER, Air Guide
423	93343		SCREW -(Control Panel)
567	93777		SCREW
573	392934		PLATE, Back
613	93927		SCREW -(Muffler)
664	93343		SCREW -(Control Panel)
673	93705		SCREW -(8-32 X 3/8)
676B	396903		DEFLECTOR, Muffler
676A	397630		DEFLECTOR, Muffler -(Louvered Outlet)
676	393761		DEFLECTOR, Muffler -(Side Outlet)
725	222981		SHIELD, Heat
795	490066		SWITCH, Key
863	222776		BRACKET, Muffler
864A	490357		ADAPTER, Muffler -(Cylinder 2)
864B	393483		LINER, Port
864C	231162		ADAPTER, Muffler
864	490358		ADAPTER, Muffler -(Cylinder 1)
865-2	392992		COVER, Cylinder Head -(Cylinder 2)
865-1	392991		COVER, Cylinder Head -(Cylinder 1)
866	393025		COVER, Air Guide
867	222775		FRAME, Air Guide
883	271174		GASKET, Exhaust
949	393330		GUARD, Debris Screen
994	392390		ARRESTOR, Spark

USED AFTER CODE DATE 84022300  
(FIXED JET REF. 117).



USED BEFORE CODE DATE  
84022400 (ADJUSTABLE  
NEEDLE VALVE - REF. 681).

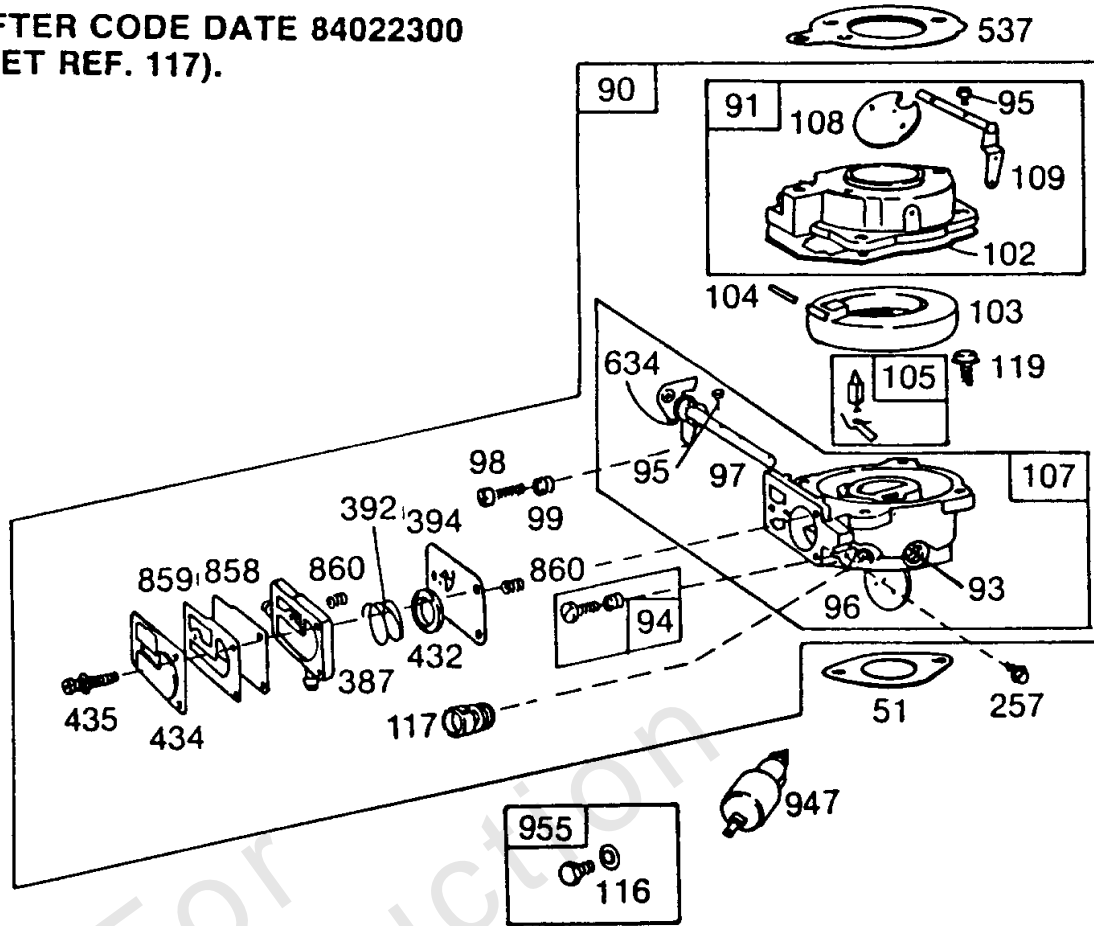




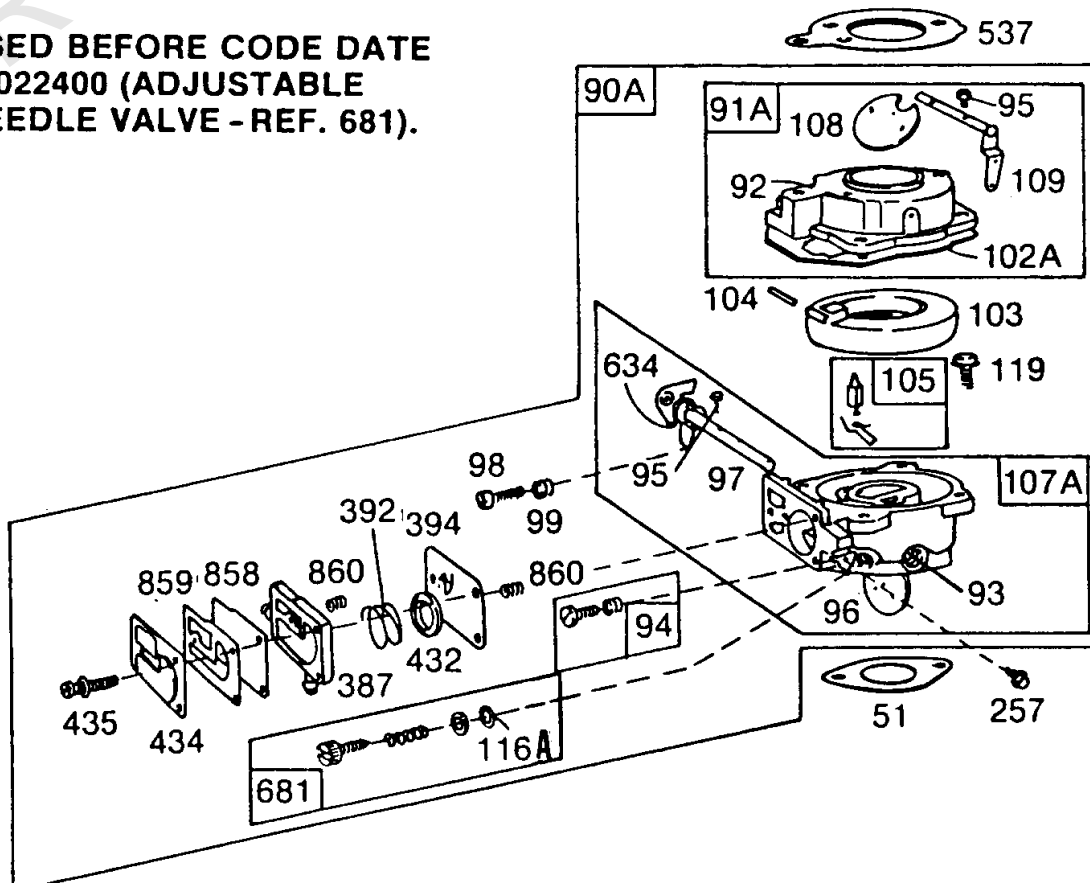
## Carburetor Assemblies

REF NO	PART NO	QTY	DESCRIPTION
51	271412		GASKET, Intake -Included in Carburetor Overhaul Kit-Part No. 394502. Included in Gasket Set-Part No. 394501
90A	394338		CARBURETOR -(Remote Choke)
90	397245		CARBURETOR -(Remote Choke)
91A	393297		BODY, Upper Carburetor
91	397241		BODY, Upper Carburetor -Used Before Code Date 85082600
91	399535		BODY, Upper Carburetor -Used After Code Date 85082500
92	394505		BODY, Upper Carburetor
93	231209		BUSHING, Throttle Shaft
94	292681		VALVE, Idle Mixture -Included in Carburetor Overhaul Kit-Part No. 394502
95	93499		SCREW -(Throttle Valve)
96	221939		VALVE, Throttle
97	392672		SHAFT, Throttle
98	91920		SCREW -(8-32 X 5/8)
99	26157		SPRING, Compression
102A	271008		GASKET, Carburetor Body -Included in Carburetor Overhaul Kit-Part No. 394502
102	271607		GASKET, Carburetor Body -Included in Carburetor Overhaul Kit-Part No. 394502
103	298514		FLOAT, Carburetor
104	230896		PIN, Float Hinge -Included in Carburetor Overhaul Kit-Part No. 394502
105	394681		KIT, Needle/Seat -(Gravity Feed) Included in Carburetor Overhaul Kit-Part No. 394502
107A	394352		BODY, Lower Carburetor
107	397270		BODY, Lower Carburetor -Used Before Code Date 85082600
107	399623		BODY, Lower Carburetor -Used After Code Date 85082500
108	222010		VALVE, Choke -Used Before Code Date 85082600
108	223534		VALVE, Choke -Used After Code Date 85082500
109	392673		SHAFT, Choke
116A	65978		SEAL, O-Ring -(Needle Valve) Included in Carburetor Overhaul Kit-Part No. 394502
116	280474		SEAL, O-Ring
117	231333		JET, Main -(High Altitude)
117	231338		JET, Main
119	94152		SCREW -(Upper To Lower Carburetor Body)
257	93897		SCREW
387	280197		BODY, Fuel Pump
392	261395		SPRING, Pump Diaphragm
394	270988		DIAPHRAGM, Carburetor
432	221377		CAP, Spring
434	222615		COVER, Diaphragm -Used Before Code Date 85121600

USED AFTER CODE DATE 84022300  
(FIXED JET REF. 117).



USED BEFORE CODE DATE  
84022400 (ADJUSTABLE  
NEEDLE VALVE - REF. 681).

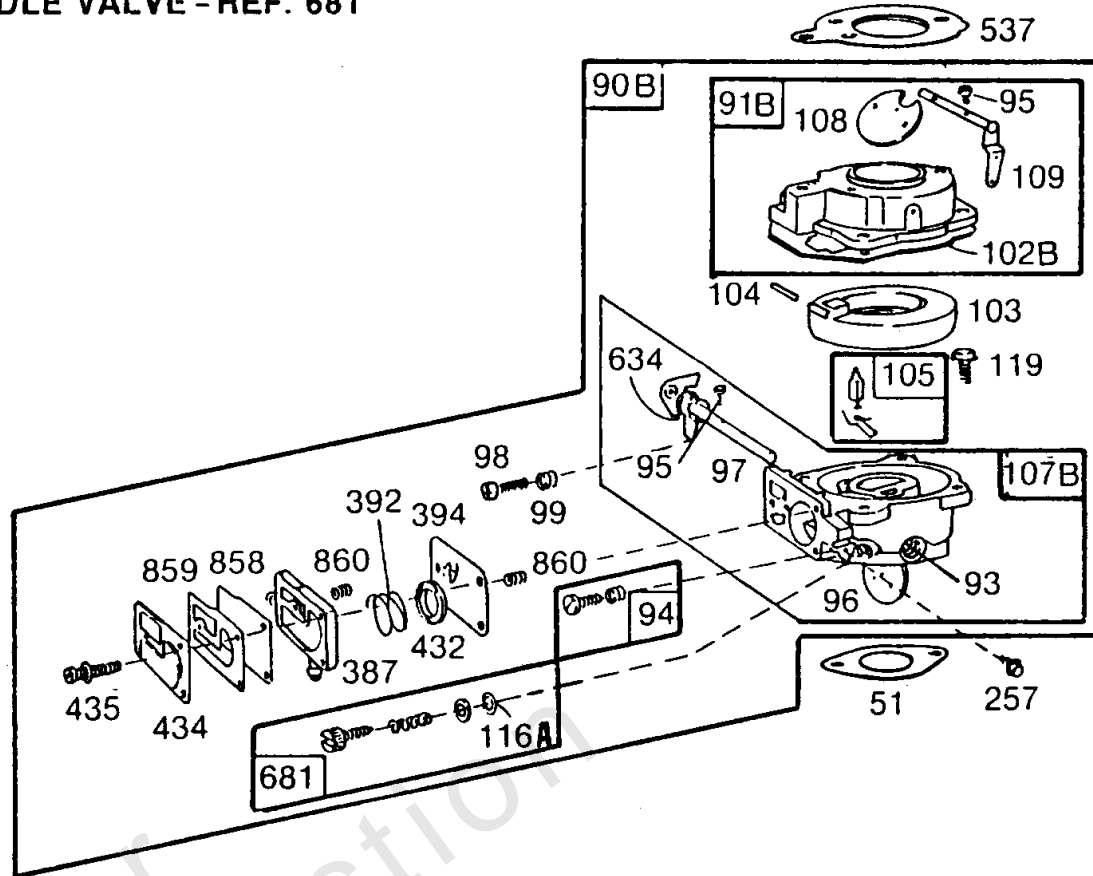


## Carburetor Assemblies

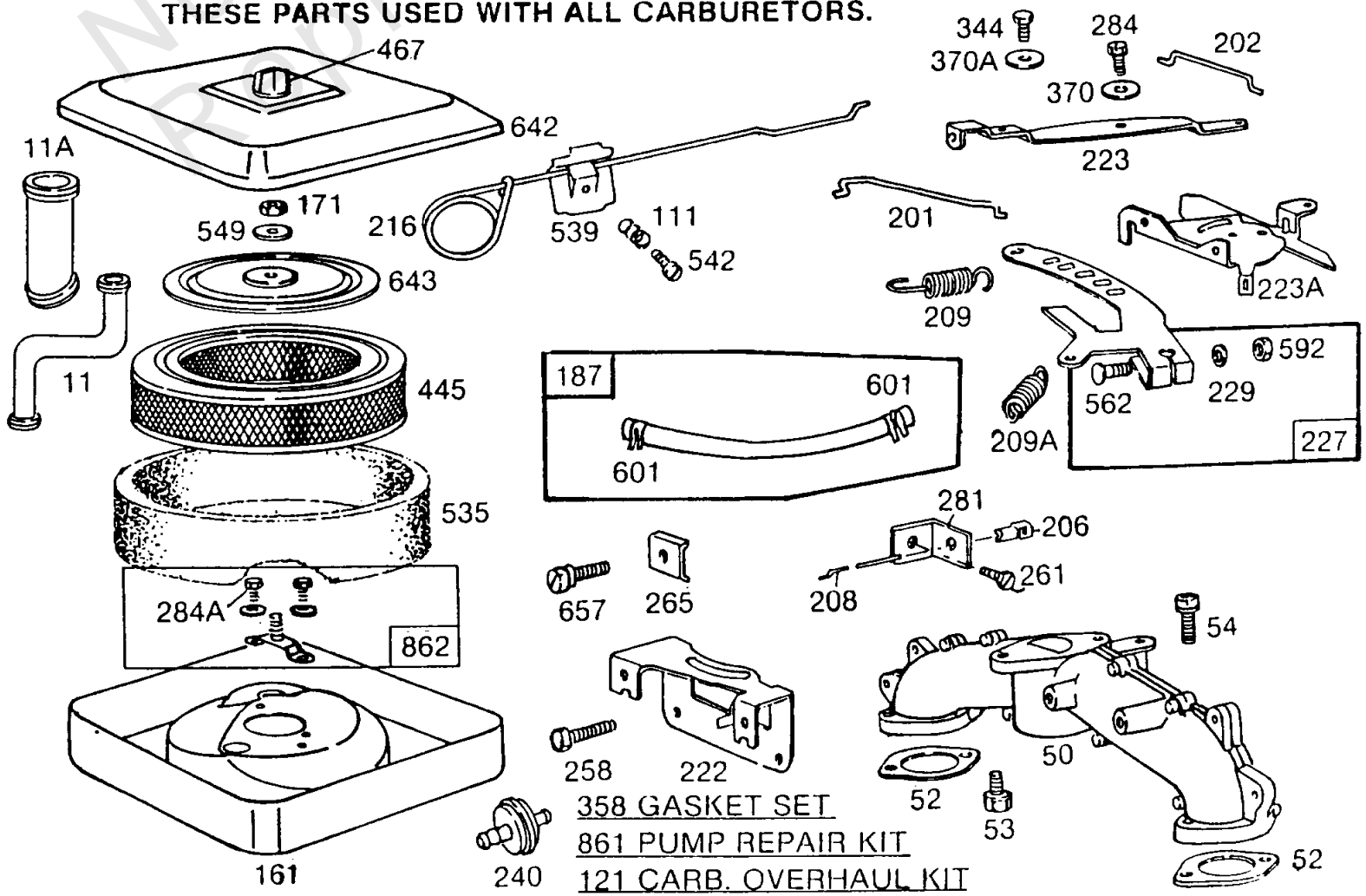
REF NO	PART NO	QTY	DESCRIPTION
434	223688		COVER, Diaphragm -Used After Code Date 85121500
435	93829		SCREW
537	271411		GASKET, Air Cleaner -Included in Carburetor Overhaul Kit-Part No. 394502. Included in Gasket Set- Part No. 394501
634	271013		WASHER, Sealing -(Foam) Included in Carburetor Overhaul Kit-Part No. 394502
681	394033		VALVE, Idle Mixture -Included in Carburetor Overhaul Kit-Part No. 394502
858	270989		DIAPHRAGM, Carburetor
859	271025		GASKET, Carburetor Pump
860	261358		SPRING, Valve
947	397266		SOLENOID, Fuel
955	397882		PLUG, Carburetor -(Solenoid Hole)

Not For Reproduction

**ADJUSTABLE NEEDLE VALVE - REF. 681  
(SMALL VENTURI).**



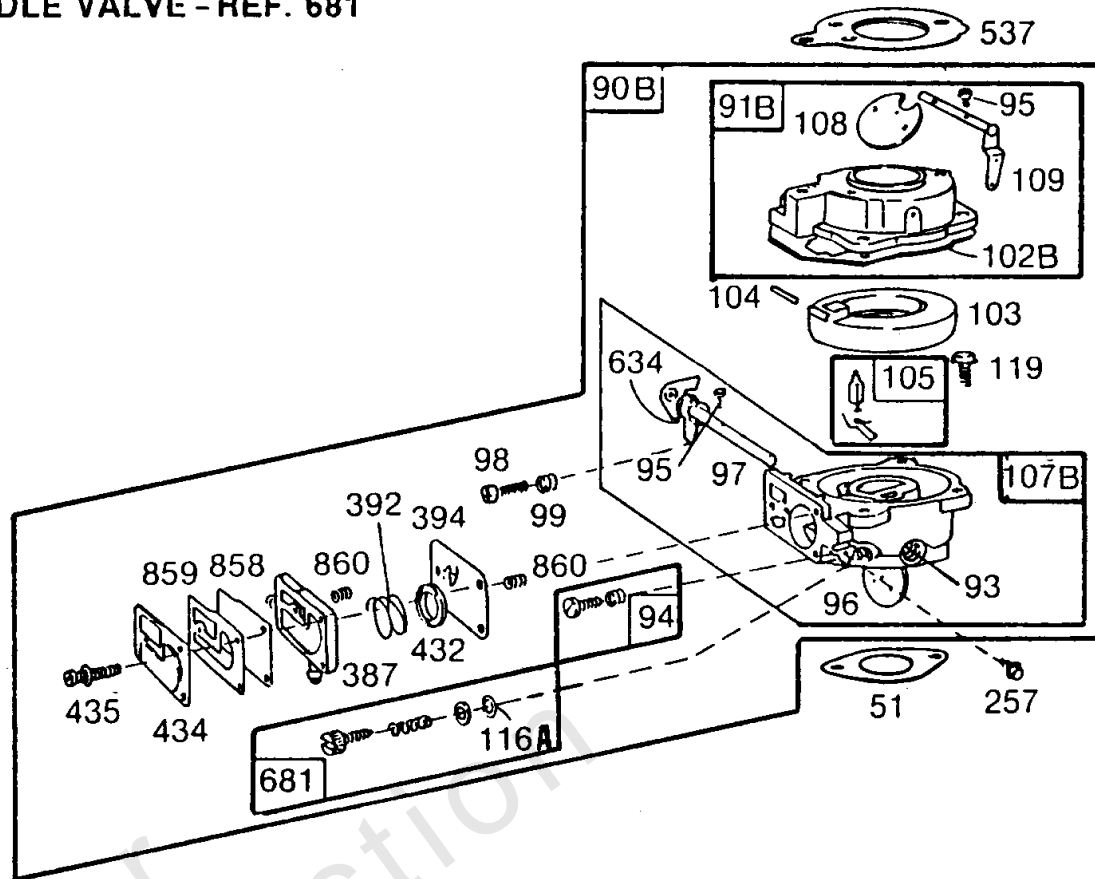
**THESE PARTS USED WITH ALL CARBURETORS.**



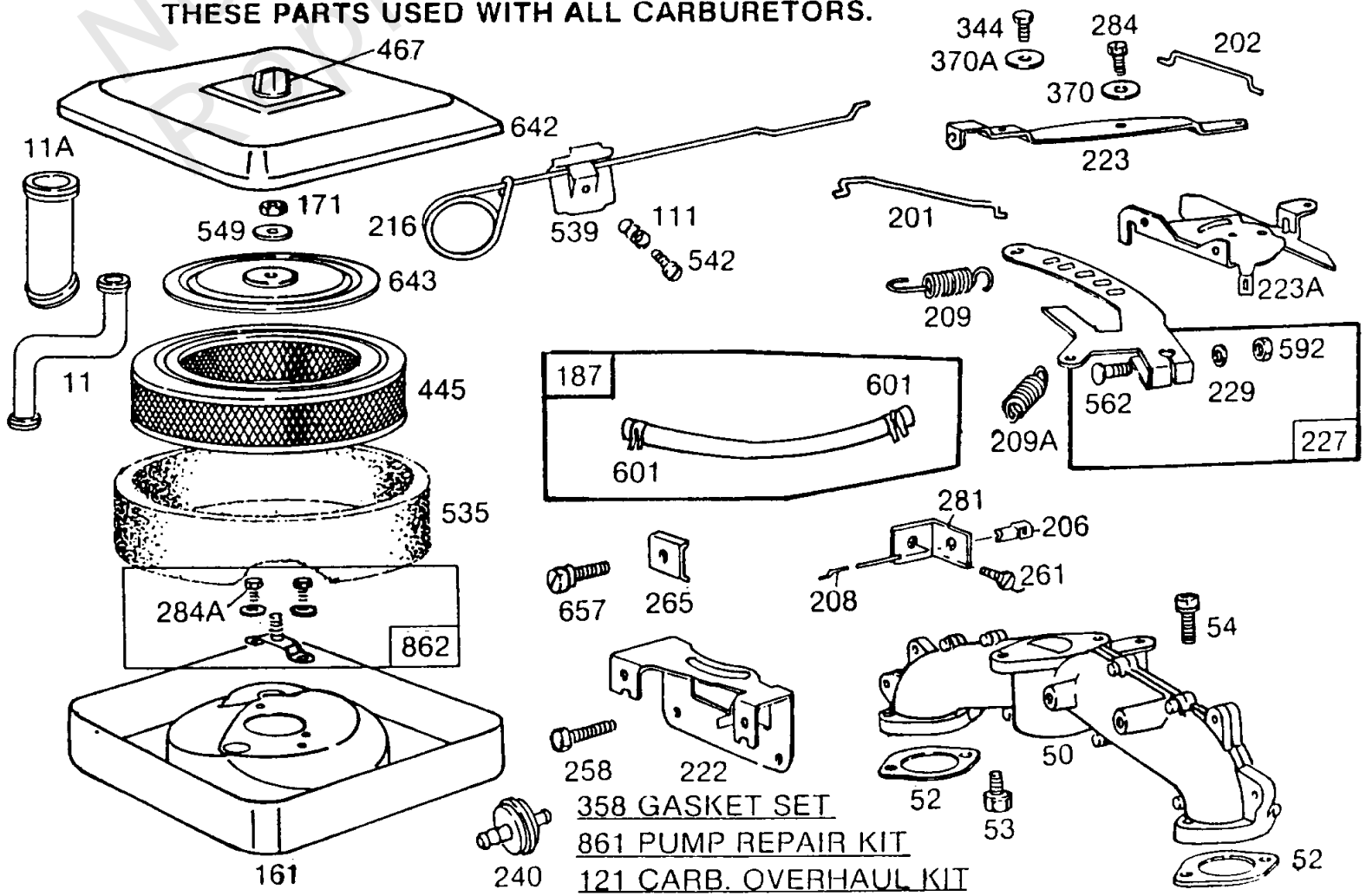
## Carburetor Assemblies, A/C

REF NO	PART NO	QTY	DESCRIPTION
11A	280198		MANIFOLD, Intake
11	280185		TUBE, Breather
50	393349		MANIFOLD, Intake -(Aluminum)
51	271412		GASKET, Intake -Included in Carburetor Overhaul Kit-Part No. 394502. Included in Gasket Set- Part No. 394501
52	270884		GASKET, Intake -Included in Gasket Set-Part No. 394501
53	93414		SCREW
54	93208		SCREW -(Intake Manifold)
93	231209		BUSHING, Throttle Shaft
94	292681		VALVE, Idle Mixture -Included in Carburetor Overhaul Kit-Part No. 394502
95	93499		SCREW -(Throttle Valve)
96	221939		VALVE, Throttle
97	392672		SHAFT, Throttle
98	91920		SCREW -(8-32 X 5/8)
99	26157		SPRING, Compression
103	298514		FLOAT, Carburetor
104	230896		PIN, Float Hinge -Included in Carburetor Overhaul Kit-Part No. 394502
105	394681		KIT, Needle/Seat -(Gravity Feed) Included in Carburetor Overhaul Kit-Part No. 394502
108	222010		VALVE, Choke -Used Before Code Date 85082600
108	223534		VALVE, Choke -Used After Code Date 85082500
109	392673		SHAFT, Choke
111	26155		SPRING, Friction
116A	65978		SEAL, O-Ring -(Needle Valve) Included in Carburetor Overhaul Kit-Part No. 394502
119	94152		SCREW -(Upper To Lower Carburetor Body)
121	394502		KIT, Carburetor Overhaul
161	222752		BASE, Air Cleaner
171	93715		NUT -(Starter Terminal)
187	299146		LINE, Fuel -(Cut To Required Length) Cut to required length.
201	261444		LINK, Choke
202	261531		LINK, Throttle
206	21772		NUT, Governor Adjusting
208	231225		ROD, Governor Control
209A	261563		SPRING, Governor -(Idle)
209	261720		SPRING, Governor
216	261511		ROD, Choke
222	222807		BRACKET, Control
223A	394324		BRACKET, Governor Control
223	222828		LEVER, Speed Adjuster
227	393846		LEVER, Governor Control
229	222289		WASHER

**ADJUSTABLE NEEDLE VALVE - REF. 681  
(SMALL VENTURI).**

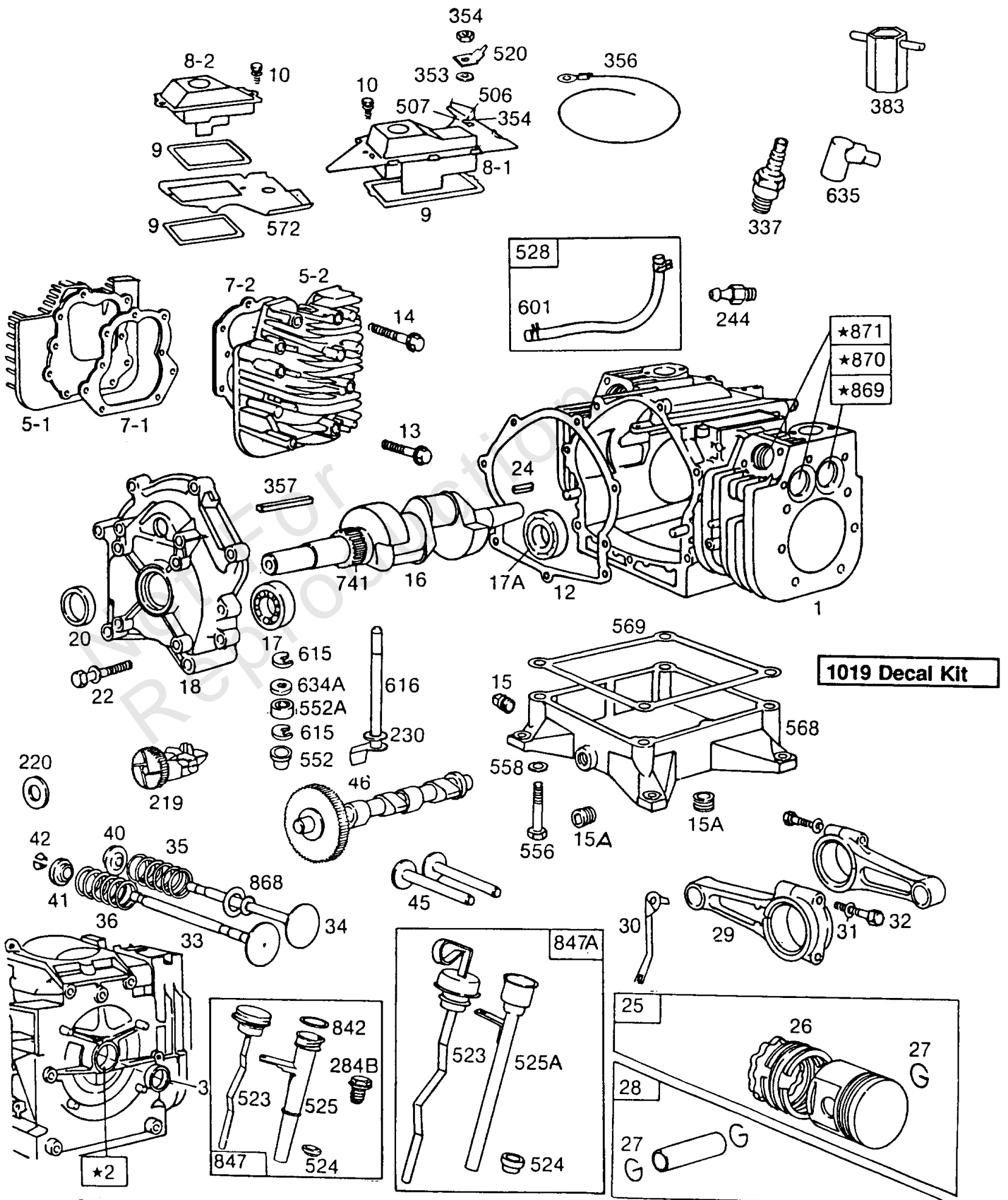


**THESE PARTS USED WITH ALL CARBURETORS.**



## Carburetor Assemblies, A/C

REF NO	PART NO	QTY	DESCRIPTION
240	394358		FILTER, Fuel -(Fuel Pump)
257	93897		SCREW
258	93163		SCREW
258	93868		SCREW -(Aluminum Manifold)
261	93496		SCREW -(10-32 X 5/8)
265	221535		CLAMP, Casing -(Stamped Steel)
281	223247		BRACKET, Rod
284A	93893		SCREW
284	93828		SCREW
344	93042		SCREW
358	394501		GASKET SET, Engine
370A	66432		WASHER
370	231172		BUSHING, Lever
387	280197		BODY, Fuel Pump
392	261395		SPRING, Pump Diaphragm
394	270988		DIAPHRAGM, Carburetor
432	221377		CAP, Spring
434	222615		COVER, Diaphragm -Used Before Code Date 85121600
434	223688		COVER, Diaphragm -Used After Code Date 85121500
435	93829		SCREW
445	394018		FILTER, A/C Cartridge
467	212706		KNOB, Choke Shaft
535	271271		FILTER, A/C Cartridge
537	271411		GASKET, Air Cleaner -Included in Carburetor Overhaul Kit-Part No. 394502. Included in Gasket Set- Part No. 394501
539	221372		CLIP, Control Rod
542	90746		SCREW -(10-32 X 5/8)
549	271180		WASHER
562	93853		BOLT -(Governor Lever)
592	92278		NUT -(Starting Switch)
601	93053		CLAMP, Hose -(Green)
634	271013		WASHER, Sealing -(Foam) Included in Carburetor Overhaul Kit-Part No. 394502
642	223001		COVER, Air Cleaner
643	222835		RETAINER, Air Filter
657	93496		SCREW -(10-32 X 5/8)
681	394033		VALVE, Idle Mixture -Included in Carburetor Overhaul Kit-Part No. 394502
858	270989		DIAPHRAGM, Carburetor
859	271025		GASKET, Carburetor Pump
860	261358		SPRING, Valve
861	393397		KIT, Fuel Pump -(Used On 3 Screw Fuel Pump Mount Carburetors)
862	392643		STRAP/STUD, Air Cleaner Mounting



**\*SPECIAL TOOLS REQUIRED TO INSTALL - SEE REPAIR INSTRUCTION MANUAL**



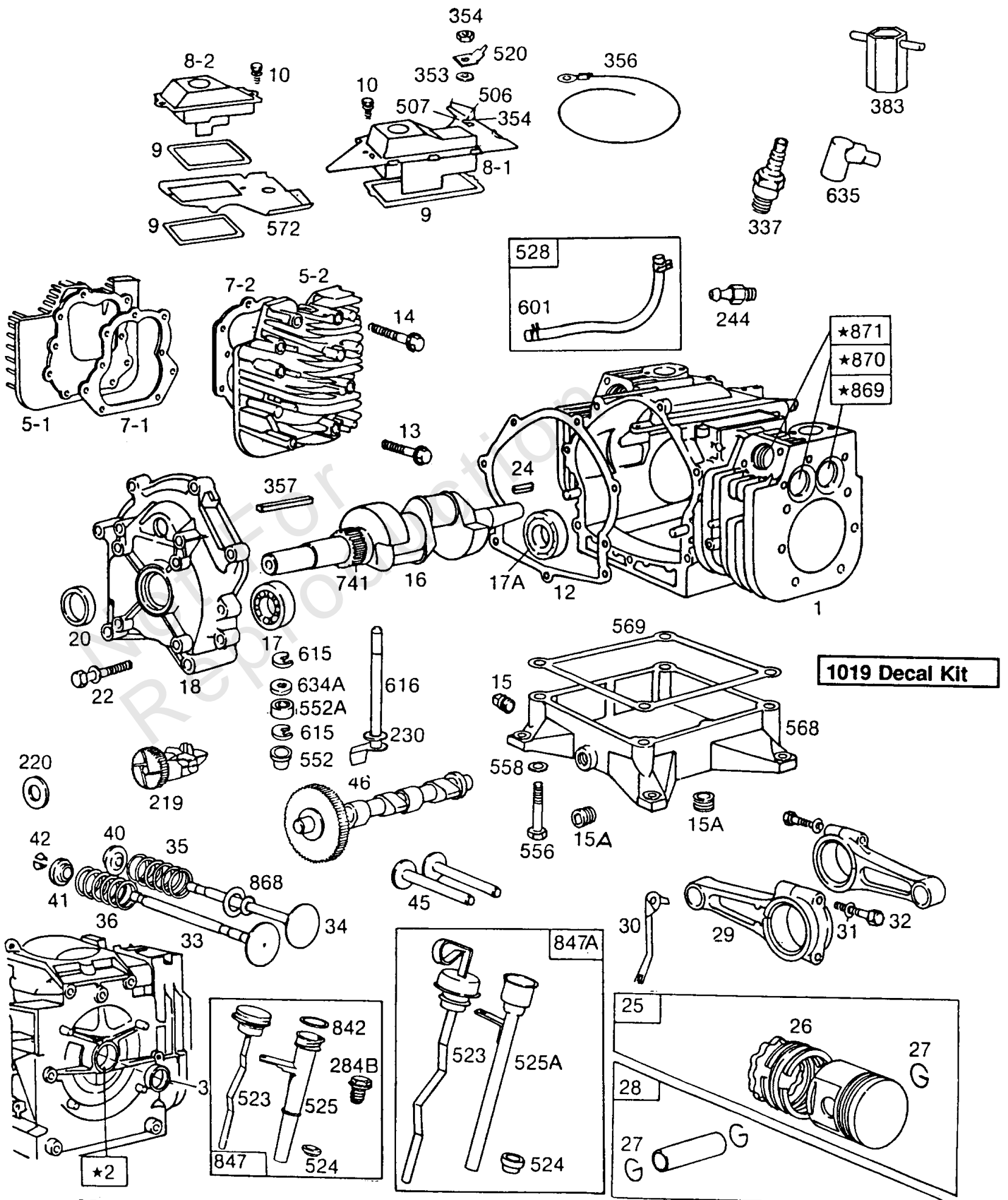
## Cylinder, Cylinder Heads, Sump

REF NO	PART NO	QTY	DESCRIPTION
1	394900		CYLINDER ASSEMBLY
2	261623		KIT, Bushing/Seal
3	391086		SEAL, Oil -(Magneto Side)
5-1	212461		HEAD, Cylinder -(Cylinder 1)
5-2	212462		HEAD, Cylinder -(Cylinder 2)
7-1	271867		GASKET, Cylinder Head -(Cylinder 1) Included in Gasket Set-Part No. 394501
7-2	271868		GASKET, Cylinder Head -(Cylinder 2) Included in Gasket Set-Part No. 394501
8-2	393153		BREATHER ASSEMBLY -(Cylinder 2)
8-1	393243		BREATHER ASSEMBLY -(#1)
9	27803		GASKET, Rocker Cover -Included in Gasket Set-Part No. 394501
10	93394		SCREW
12	270982		GASKET, Crankcase -(1/64) Included in Gasket Set-Part No. 394501
12	271145		GASKET, Crankcase -(.005) Included in Gasket Set-Part No. 394501
12	271146		GASKET, Crankcase -(.009) Included in Gasket Set-Part No. 394501
13	93111		SCREW -(15/16)
14	93113		SCREW -(2 5/16) (2-5/16)
15A	93448		PLUG, Oil Drain -(Flush) (1/4-18 NPTF) (Flush) (1/4 18 NPTF)
15	91084		PLUG, Oil Drain -(3/8)
16	393823		CRANKSHAFT -Order 94196 Key or 231160 Pin For Timing Gear Retaining Device
17A	393980		BEARING, Ball -(Magneto Side)
17	393741		BEARING, Ball -(PTO Side)
18	394535		COVER, Crankcase -(Plain Bearing)
20	291675		SEAL, Oil -(Crankcase Cover)
22	94096		STUD
24	222698		KEY, Flywheel
24	61760		KEY, Flywheel -(Breaker Ignition)
25	394955		PISTON ASSEMBLY -(Standard)
25	394956		PISTON ASSEMBLY -(.010 Oversize)
25	394957		PISTON ASSEMBLY -(.020 Oversize)
25	394958		PISTON ASSEMBLY -(.030 Oversize)
26	394959		SET, Ring -(Standard)
26	394960		SET, Ring -(.010 Oversize)



## Cylinder, Cylinder Heads, Sump

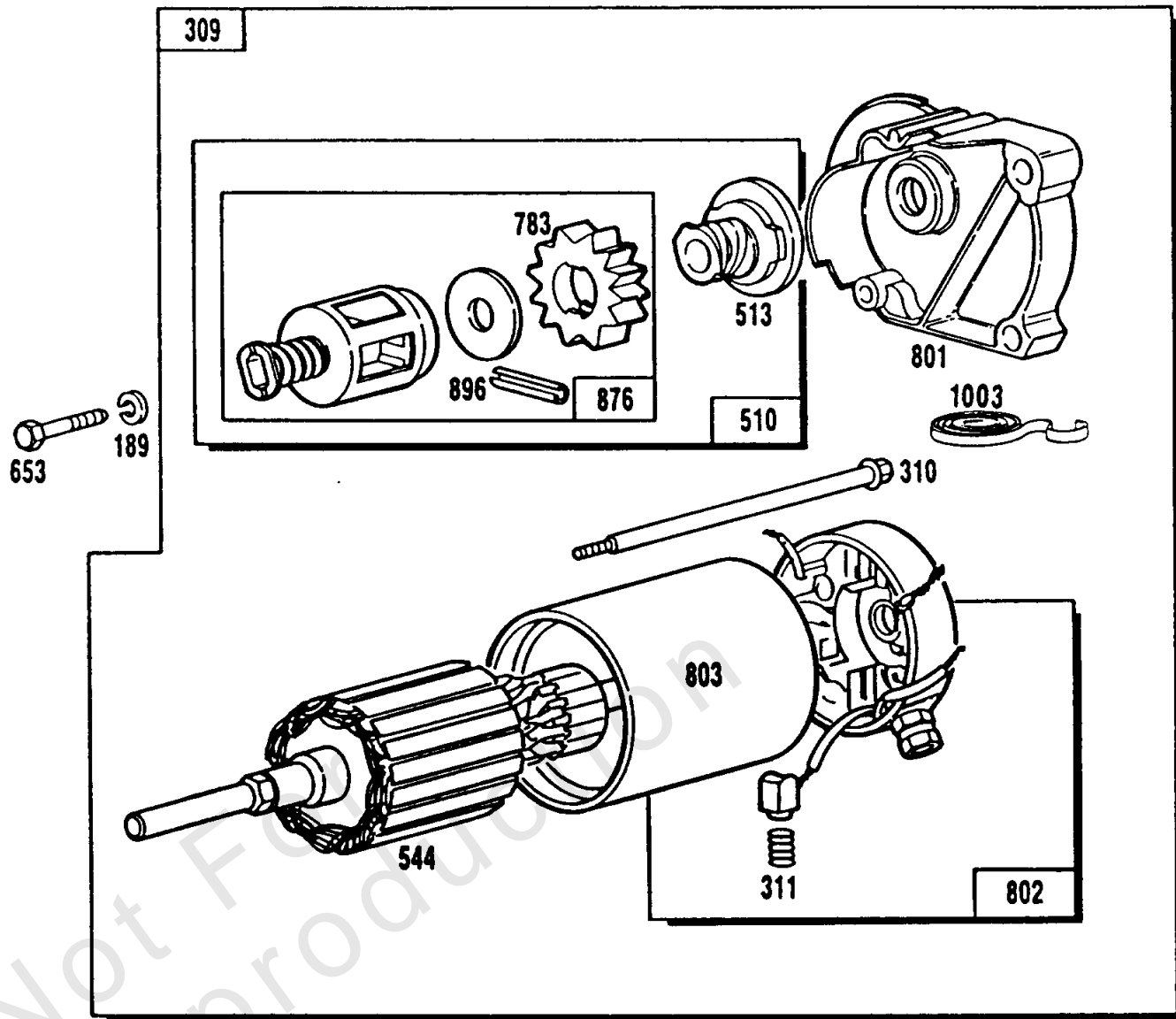
REF NO	PART NO	QTY	DESCRIPTION
26	394961		SET, Ring -(.020 Oversize)
26	394962		SET, Ring -(.030 Oversize)
27	260924		LOCK, Piston Pin
28	299691		PIN, Piston -(Standard)
28	391286		PIN, Piston -(.005 Oversize)
29	393270		ROD, Connecting -For Connecting Rod with .020 Undersize Crankpin Bore-Order No. 393714
30	222480		DIPPER, Connecting Rod
31	220863		WASHER -(1/4 X 5/8 X 1/32) (1/4 X 5/8 X 1/32)
32	92909		SCREW
33	390420		VALVE, Exhaust -(Includes Retainer(s))
34	261528		VALVE, Intake -Uses: 393606 Seal Assy. and Retainer (Ref. No. 868)
35	65906		SPRING, Valve -(Intake)
36	26828		SPRING, Valve -(Exhaust)
40	221596		RETAINER, Valve -(Valves With Groove In Stem)
41	292260		RETAINER, Valve -(Exhaust Valve) (Exhaust)
42	93630		KEEPER, Valve -(2)
45	261368		TAPPET, Valve
46	212337		CAMSHAFT -(Used with Electronic Ignition)
46	212415		CAMSHAFT -(Used only with Cyl. Hds. 212461 & 212462)
219	394348		GEAR, Governor
220	222773		WASHER, Thrust
230	220863		WASHER -(1/4 X 5/8 X 1/32) (1/4 X 5/8 X 1/32)
244	230318		CONNECTOR, Hose
284B	93886		SCREW
337	394539		PLUG, Spark -(Resistor)
353	92791		WASHER
354	90576		NUT -(Ground Terminal)
356	298693		WIRE, Stop -(Cut To Required Length)
357	91540		KEY, Drive Pulley -(1/4)
383	89838		WRENCH, Spark Plug
506	231174		TERMINAL, Ground
507	280180		INSULATOR
520	93722		TERMINAL, Ground
523	398924		CAP, Oil Fill
524	68838		SEAL, O-Ring -(Dipstick Tube)
525A	392782		TUBE, Dipstick



**\*SPECIAL TOOLS REQUIRED TO INSTALL - SEE REPAIR INSTRUCTION MANUAL**

## Cylinder, Cylinder Heads, Sump

REF NO	PART NO	QTY	DESCRIPTION
525	280220		TUBE, Dipstick
528	393244		HOSE, Vacuum -(Impulse) (9 long-old style) Std 4 1/2 long
552A	261560		BUSHING, Governor Crank -(Upper)
552	261559		BUSHING, Governor Crank -(Lower)
556	93783		SCREW
558	92268		WASHER -(3/8 X 1/8 X 3/32)
568	394391		SUMP, Engine
569	270981		GASKET, Crankcase -Included in Gasket Set-Part No. 394501
572	222700		GUIDE, Air -(Cylinder 2)
601	93053		CLAMP, Hose -(Green)
615	93851		RETAINER, E Ring
616	394396		CRANK, Governor
634A	271316		SEAL, Governor Shaft -(Foam)
635	66538		BOOT, Spark Plug
741	231321		GEAR, Timing -(Pin)
741	262221		GEAR, Timing -(Key)
842	271170		SEAL, O-Ring -(Dipstick Tube)
847A	394023		DIPSTICK/TUBE ASSEMBLY
847	398990		DIPSTICK/TUBE ASSEMBLY
868	393606		SEAL, Valve
869	261463		SEAT, Valve -(Intake)
870	210940		SEAT, Valve -(Exhaust) (Standard)
871	231218		BUSHING, Valve Guide -(Intake)
871	261961		BUSHING, Valve Guide -(Exhaust)
1019	491261		KIT, Label



Subject		Ref. No. 309	Ref. No. 310	Ref. No. 311	Ref. No. 801	Ref. No. 802	Ref. No. 803	Ref. No. 544	Ref. No. 1003
Starter Motor Mfr.		Motor and Drive Assy.	Thru Bolt	Brush Assembly	End Cap Assy. Drive	End Cap Assy. Commutator	Housing Assembly	Armature Assembly	Brush Spring
Briggs & Stratton	Housing Length								
†12V	3"	393017	93887	391705	393009	394674	**	390837	
12V	3-5/8"	394808	94003	395538	394860	††395537	393825	390837	
12V	4-1/2"	399928	94169	490311	394860	490310	399172	490309	490316

Subject	Ref. No. 513	Ref. No. 783	Ref. No. 876	Ref. No. 896	Ref. No. 510
Starter Motor Mfr.	Clutch Assembly	Gear	Pinion Spring Kit	Roll Pin	Starter Drive Drive Group
Briggs & Stratton					
12V	391135	280104	393254	93754	396865

**NOTE:** Style Identification of 12 volt motors.

**NEW STYLE:** Thru bolt heads are located on the drive end head.

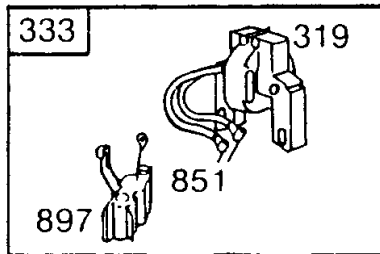
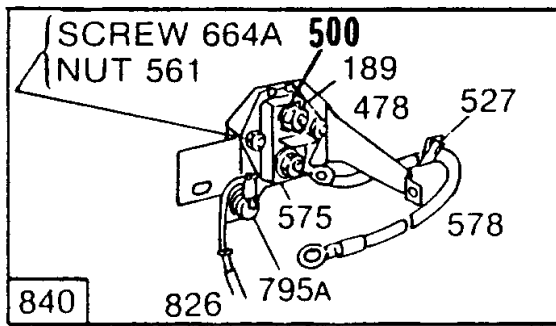
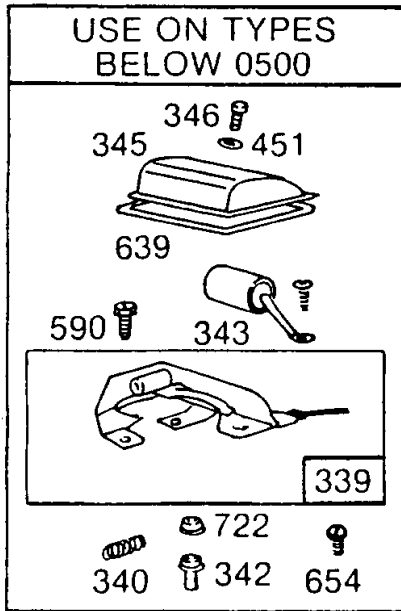
**†OLD STYLE:** Brush end head is 13/16" wide.

††See Text — Ref. 309 for Specials.

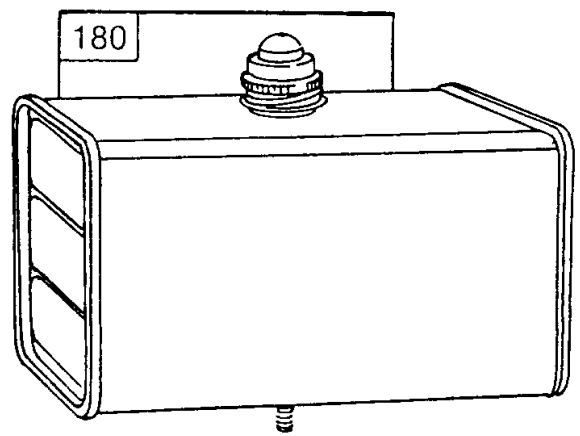
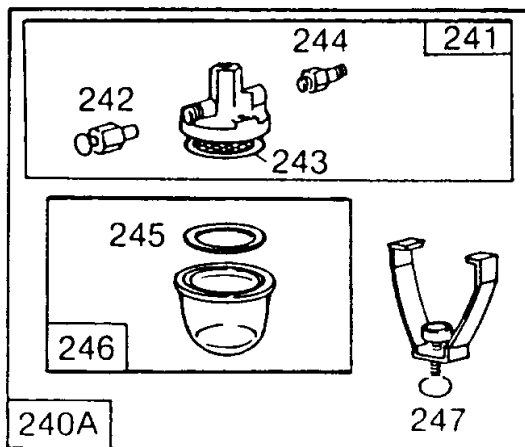
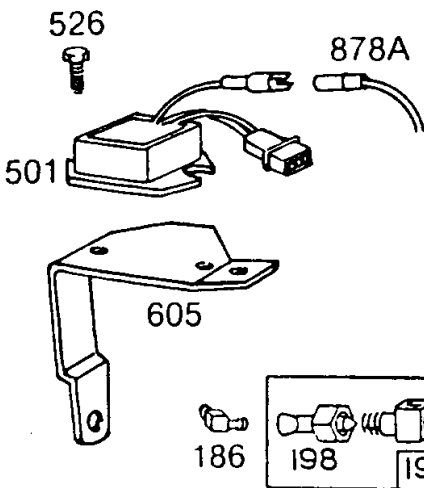
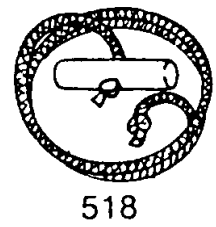
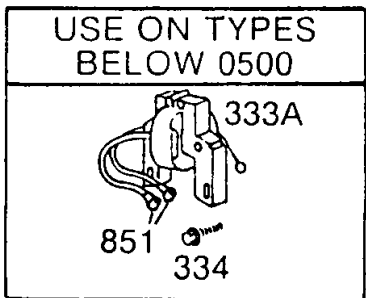
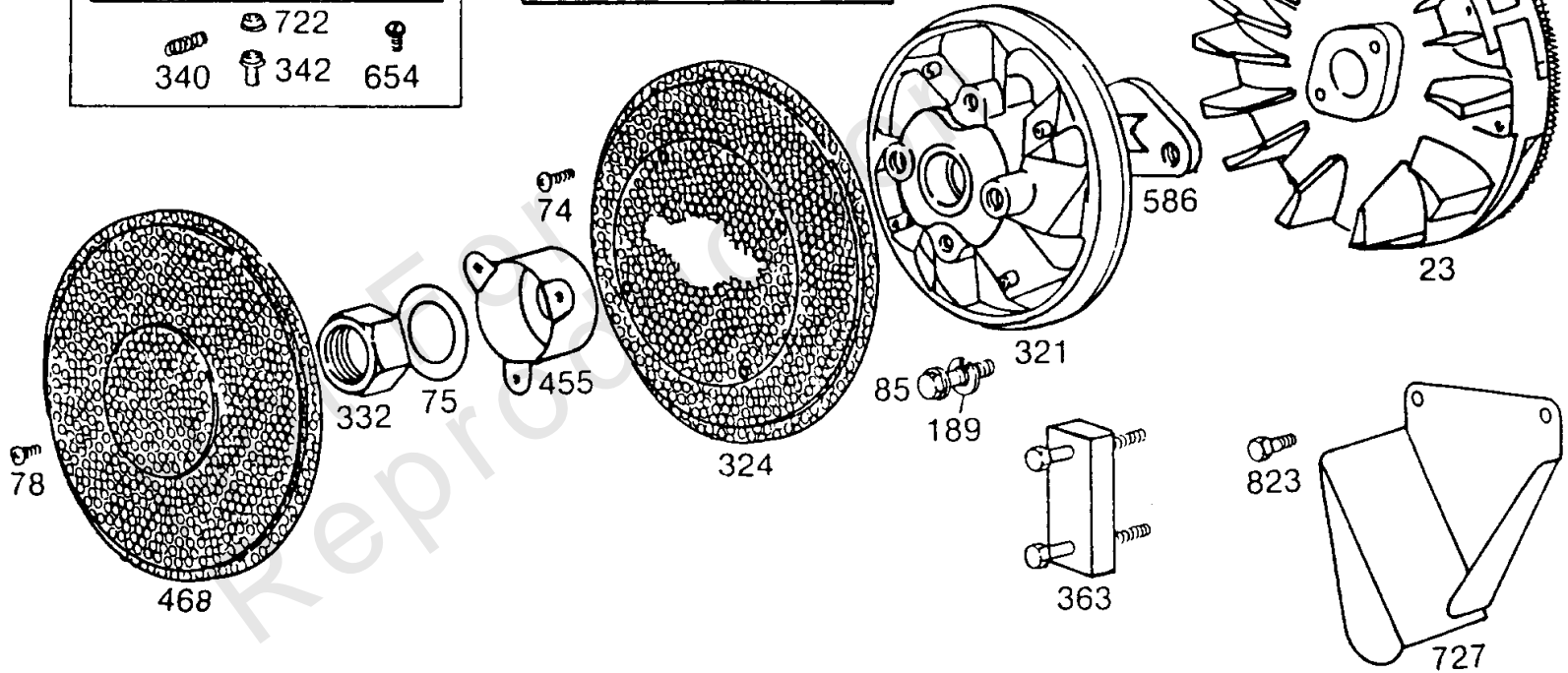
\*\*Part not available. Use 394808 Motor Drive Assembly.

## Electric Starter and Chart

REF NO	PART NO	QTY	DESCRIPTION
189	90366		WASHER
309	393017		MOTOR, Starter -(3 Housing) (Briggs & Stratton 12V) OLD STYLE: Brush end head is 13/16 wide.
309	394808		MOTOR, Starter -(3 5/8 Housing)
309	399928		MOTOR, Starter -(4 1/2 Housing)
310	93887		SCREW -(3 Housing) (Briggs & Stratton 12V) OLD STYLE: Brush end head is 13/16 wide.
310	94003		SCREW -(3 5/8 Housing)
310	94169		SCREW -(4 1/2 Housing)
311	391705		SET, Brush -(3 1/16 Housing) OLD STYLE: Brush end head is 13/16 wide.
311	395538		SET, Brush -(3-5/8 or 4 3/8 Housing)
311	490311		SET, Brush -(4 9/16 Housing)
510	396865		DRIVE, Starter -(3 21/32 Housing)
513	391135		CLUTCH, Starter
544	390837		ARMATURE, Starter -(3 5/8 Housing)
544	390837		ARMATURE, Starter -(3 5/8 Housing) OLD STYLE: Brush end head is 13/16 wide.
544	490309		ARMATURE, Starter -(4 9/16 or 4 3/8 Housing)
653	91162		SCREW -(5/16-18 X 1-1/2)
783	280104		GEAR, Pinion -(Briggs & Stratton 12V)
801	393009		CAP, Drive -(3 Housing) (Briggs & Stratton 12V) OLD STYLE: Brush end head is 13/16 wide.
801	394860		CAP, End -(3-5/8 or 4 1/2 Housing)
802	394674		CAP, End -(3 Housing) (Briggs & Stratton 12V) OLD STYLE: Brush end head is 13/16 wide.
802	395537		CAP, End -(3 5/8 Housing)
802	490310		HOUSING, Brush End -(4 1/2 or 4 9/16 Housing)
803	-----		No Nomenclature -OLD STYLE: Brush end head is 13/16" wide. Part not available. Use 394808 Motor Drive Assembly.
803	393825		HOUSING, Starter -(3 5/8 Housing)
803	399172		HOUSING, Starter -(4 1/2 or 4 9/16 Housing)
876	393254		DRIVE, Starter -(Briggs & Stratton 12V)
896	93754		PIN, Drive Retainer -(Briggs & Stratton 12V)
1003	490316		SPRING, Brush -(4 1/2 or 4 9/16 Housing)



334

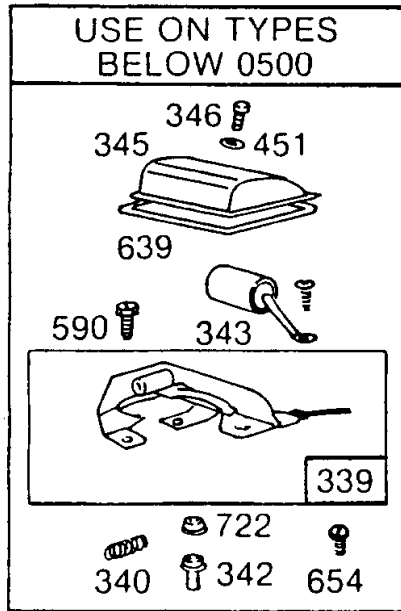




## Fuel Tank, Flywheel, Screens

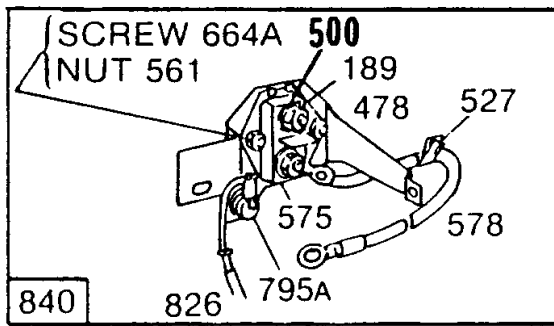
REF NO	PART NO	QTY	DESCRIPTION
23	392956		FLYWHEEL
74	93808		SCREW
75	222511		WASHER -(Spring)
78	93805		SCREW
85	92674		SCREW -(2-7/16)
180	291488		TANK, Fuel -Uses: 392305 Cap-Fuel Tank 222827 Bracket-Fuel Tank 291490 Strap Assy.- Fuel Tank Includes: 91257 Screw-Machine Fill. Hd.
180	292415		TANK, Fuel -(8 Quart) Uses: 69221 Cap-Fuel Tank 293934 Valve-Fuel Shut-Off 297563 Outlet-Fuel Tank 291490 Strap Assy.-Fuel Tank Includes: 91257 Screw-Machine Fill. Hd.
186	67218		CONNECTOR, Hose
189	90366		WASHER
198	293934		VALVE, Fuel Shut Off
199	297563		OUTLET, Tank
240A	295984		CARBURETOR -(Flexible Line)
241	296005		COVER, Fuel Filter
242	295913		VALVE, Fuel Shut Off
243	22547		STRAINER, Fuel
244	230318		CONNECTOR, Hose
245	68477		GASKET, Fuel Bowl
246	298683		BOWL, Fuel Filter
247	99665		YOKE, Bowl
319	394988		ARMATURE, Magneto
321	212418		FAN, Booster -(10 Diameter)
324	223008		SCREEN, Rotating
332	230674		NUT
333A	392329		ARMATURE, Magneto
333	394891		ARMATURE, Magneto -(Magnetron Ignition)
334	93381		SCREW
339	393403		BREAKER, Ignition -For Conversion to MAGNETRON Ignition Order Part No. 394891
340	26018		SPRING, Breaker Arm
342	393598		PLUNGER, Breaker
343	392912		CONDENSER
345	212259		COVER, Breaker
346	93854		SCREW
363	19203		PULLER, Flywheel
451	271037		WASHER -(Breaker)
455	222674		CUP, Flywheel
468	222673		SCREEN, Rotating
478	223106		BRACKET, Stopswitch -(Toggle Switch)
500	91325		WASHER
501	394890		REGULATOR -(10, 13, or 16 Amp, Depending on Size of Flywheel Magnets)
518	69932		GRIP, Starter Rope
526	93559		SCREW -(Tank) (Fuel Tank)

USE ON TYPES BELOW 0500



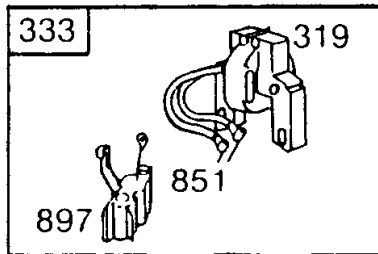
345 346 451  
639  
590 343  
339  
722  
340 342 654

SCREW 664A 500  
NUT 561

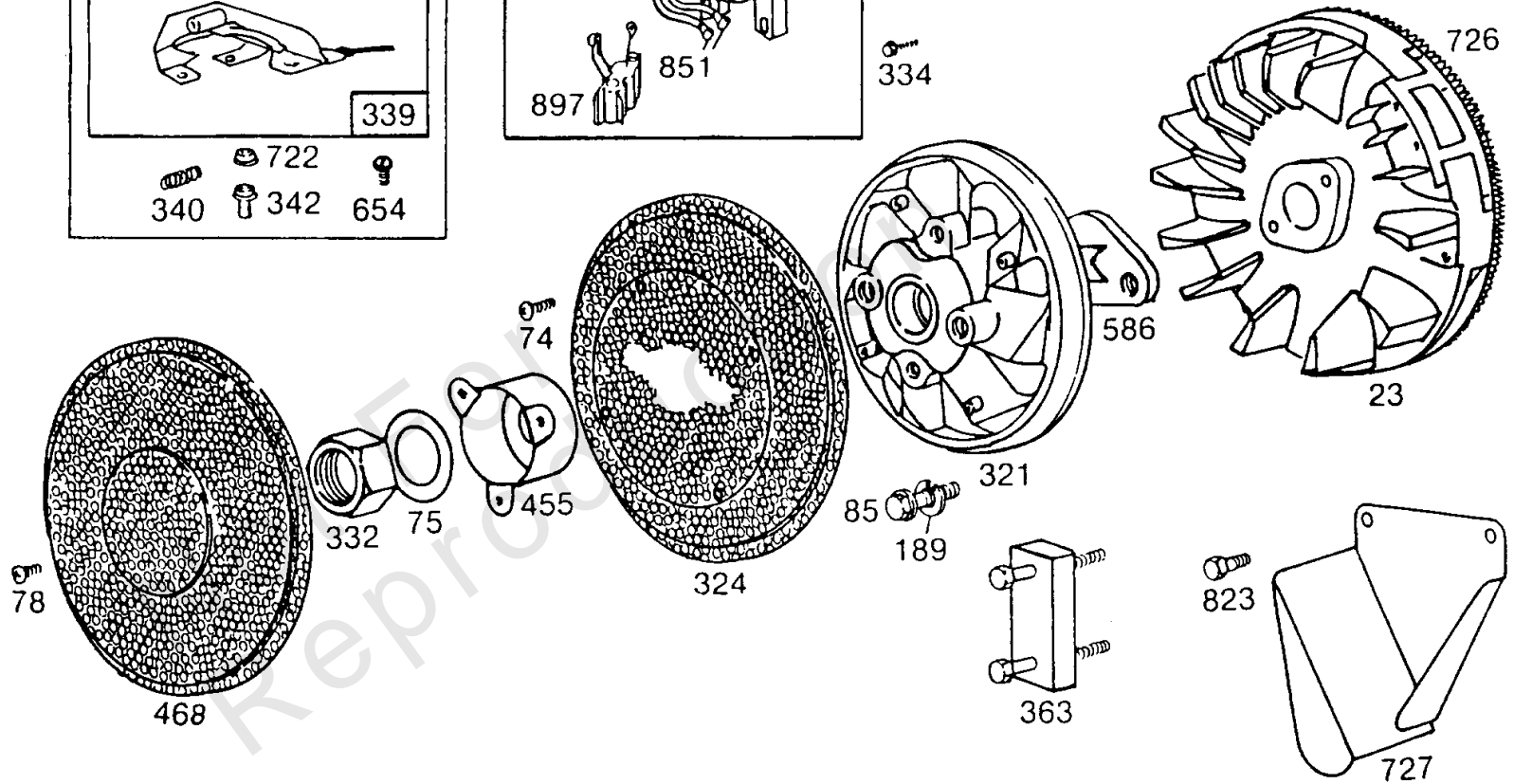


189 478 527  
575 578  
826 795A

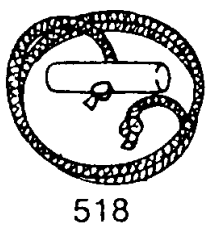
333



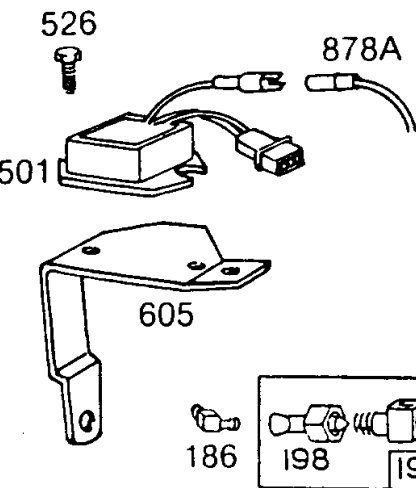
319  
851 334  
897



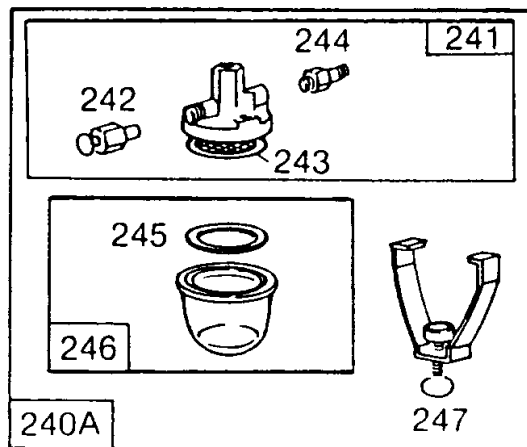
78 74 75 455 324 586 23 726  
332 321 85 189 363 823 727  
468



518

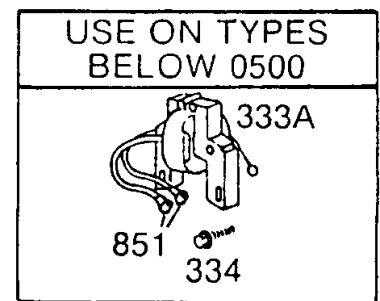


501 526 878A 605 186 198 199

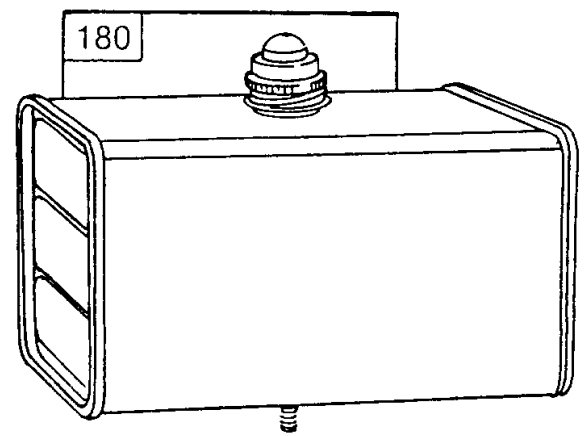


242 243 244 241 245 246 240A 247

USE ON TYPES BELOW 0500



333A  
851 334



180

## Fuel Tank, Flywheel, Screens

REF NO	PART NO	QTY	DESCRIPTION
527	220509		CLIP, Wire
561	92278		NUT -(Starting Switch)
575	299139		SWITCH, Starting
578	394518		WIRE ASSEMBLY
586	22906		RETAINER
590	93171		SCREW
605	222959		BRACKET, Support -Used Before Code Date 83052700
639	271039		GASKET, Breather -Included in Gasket Set-Part No. 394501
654	230783		NUT
664A	93415		SCREW -(1/4-20 X 3/4)
722	280222		SEAL, Plunger
726	391362		GEAR, Ring -(Includes Mounting Hardware)
727	222987		GUARD, Flywheel
795A	392697		SWITCH, Toggle -(Toggle Switch) Uses: 93888 Nut-Hex.
823	93535		SCREW -(5/16-18 X 3/4)
826	394667		WIRE, Stop
840	394583		KIT, Panel -(Toggle Switch)
851	221798		TERMINAL, Spark Plug
878A	393422		WIRE ASSEMBLY -(Dc Only)
897	394970		KIT, Magnetron Ignition

**Replacement Engine - US & Canada**

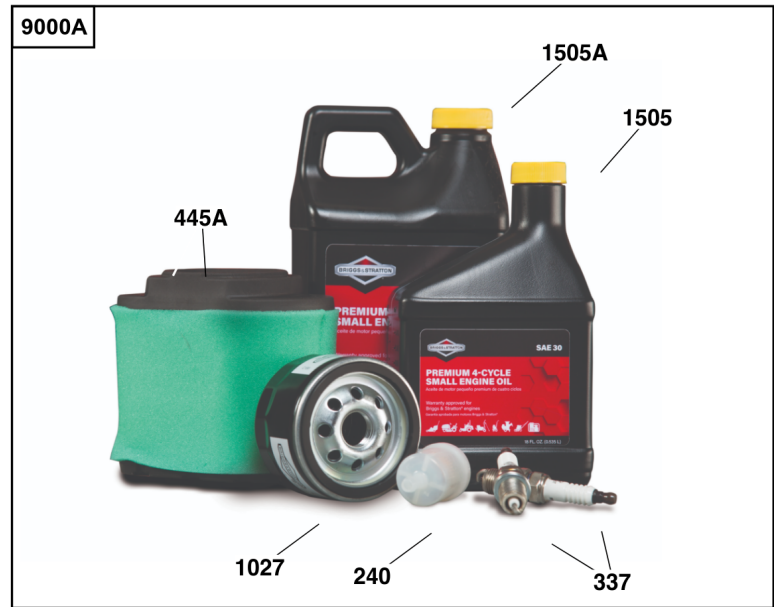
REF NO	PART NO	QTY	DESCRIPTION
	-----		Top No-Load Speed: 3400 -Trim: ALL
	-----		Idle Speed: 1750

Not For Reproduction



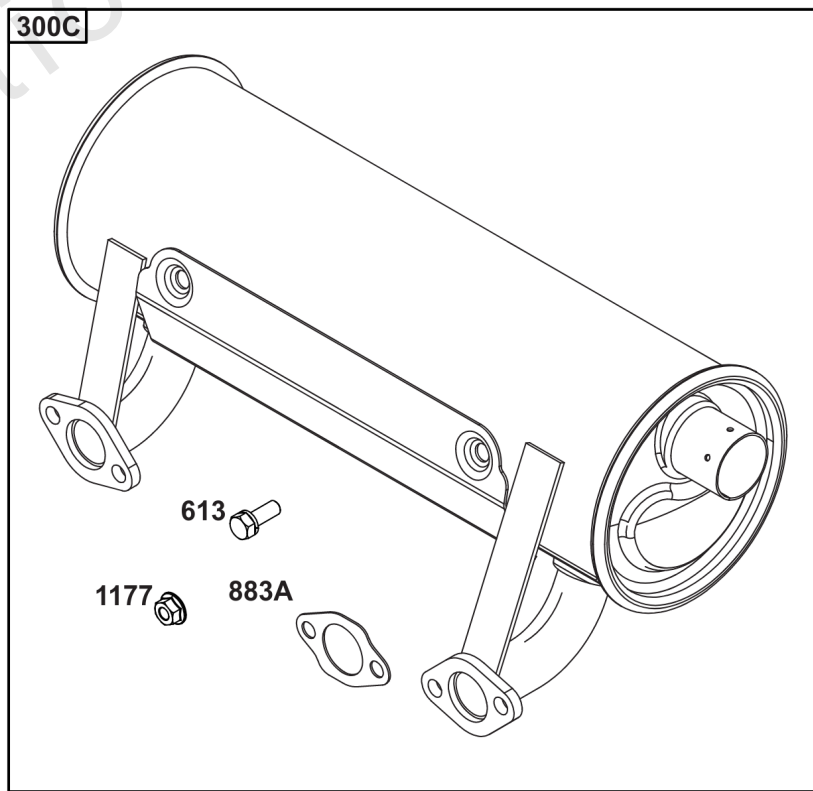
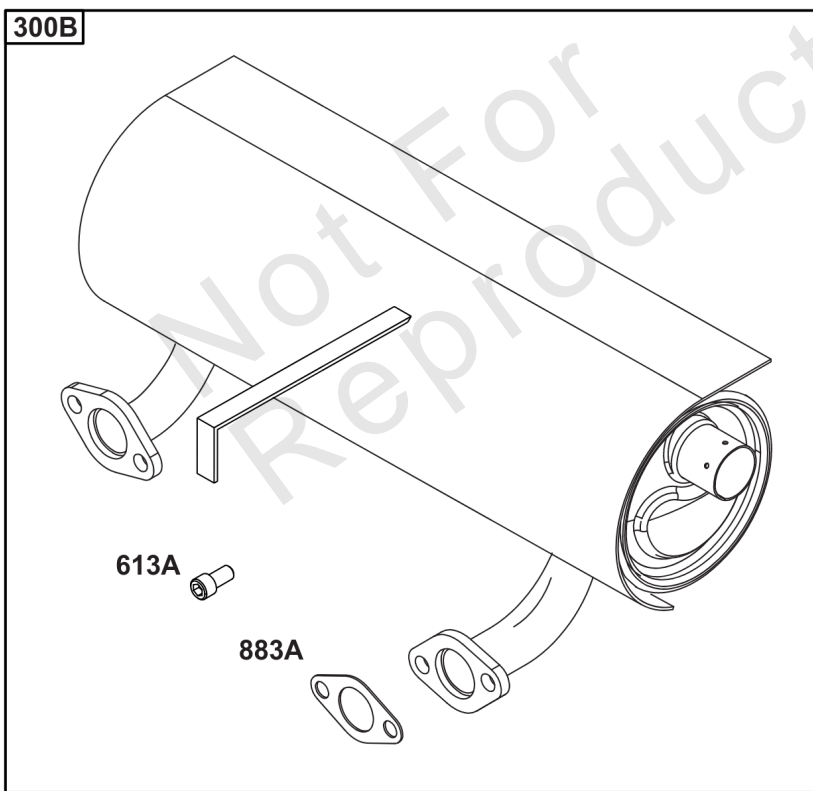
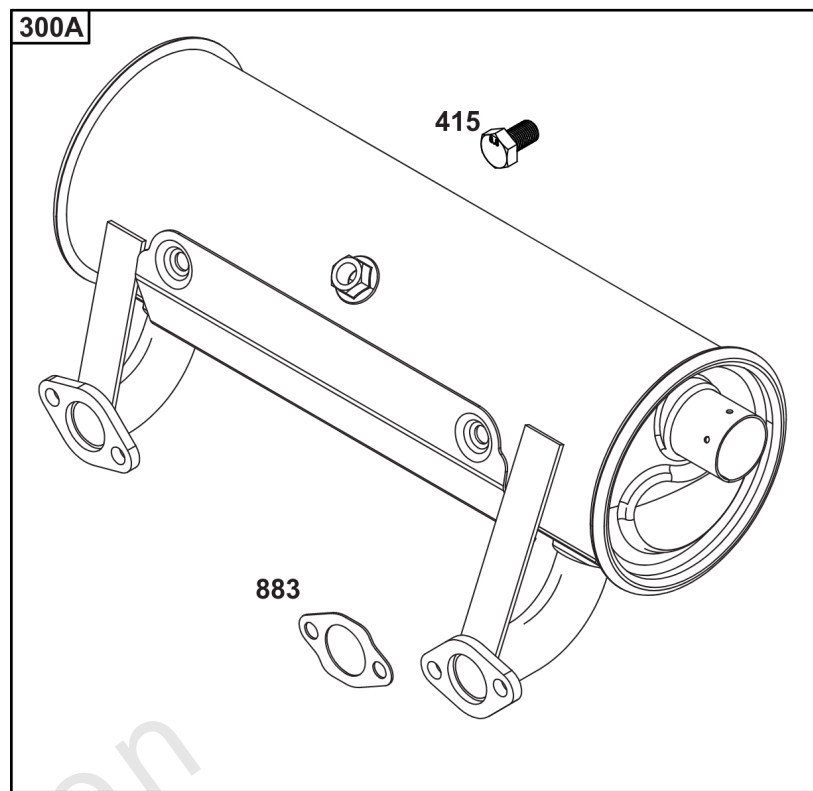
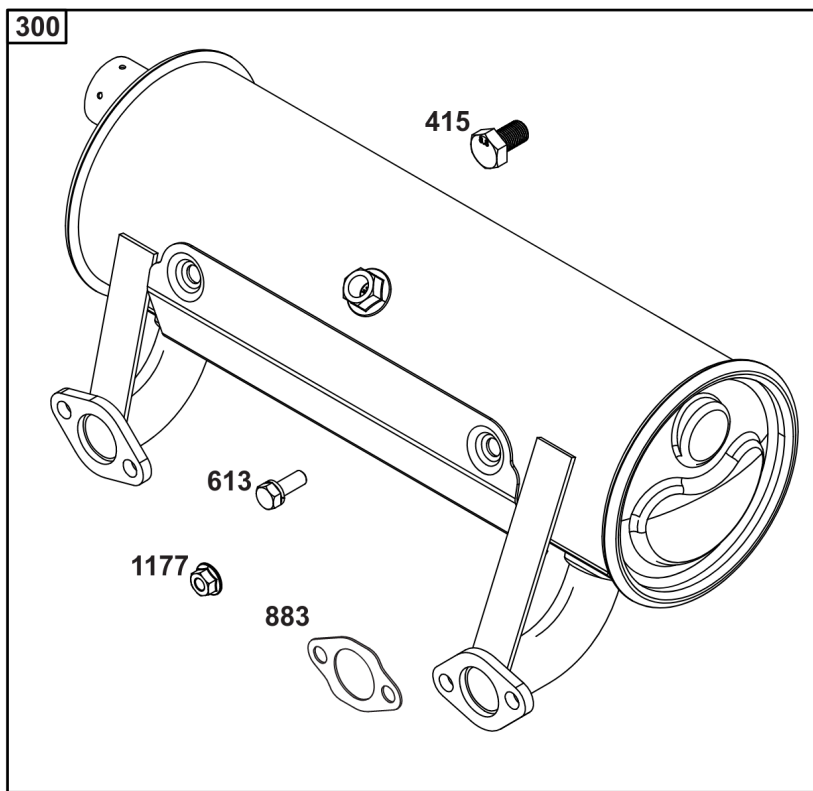
# Model 40, 44 & 49 Engine Accessories Catalog

Not For  
Reproduction



## Maintenance Kits

REF NO	PART NO	QTY	DESCRIPTION
9000	84002442		KIT, Maintenance -(Intek / EXi V-Twin Engines) (Do not use with Home Standby Generators.)
9000A	84002317		KIT, Maintenance -(Professional Series™ V-Twin Engines) (Do not use with Home Standby Generators.)
9000B	84002316		KIT, Maintenance -(Commercial Series V-Twin Engines) (Do not use with Home Standby Generators.)
9000C	84002318		KIT, Maintenance -(Oil Guard™ Engines) (Do not use with Home Standby Generators.)
9000D	84002315		KIT, Maintenance -(Non-Oil Guard™ Engines) (Do not use with Home Standby Generators.)
240	84001895	1	FILTER, Fuel -(40 Micron)
240A	845125	1	FILTER, Fuel -(20 Micron)
337	491055S	2	PLUG, Spark
445	594201	1	FILTER, A/C Cartridge
445A	792105	1	FILTER, A/C Cartridge
445B	798897	1	FILTER, A/C Cartridge
445C	841497	1	FILTER, A/C Cartridge
967	797704	1	FILTER, Pre Cleaner
1027	492932S	1	FILTER, Oil -(Standard)
1027A	696854	1	FILTER, Oil -(Premium)
1027B	842921	1	FILTER, Oil -(Vanguard®)
1027C	84007094	1	FILTER, OIL -(Oil Guard™)
1505	100005		OIL-4 CYCLE 30W 18OZ. -(18 oz. Bottle)
1505A	100028		OIL-4 CYCLE30W 48OZ -(48 oz. Bottle)
1505B	100170		OIL-5QT VANGUARD (CASE) -(5 qt. Bottle)
1505C	100169		OIL-1QT VANGUARD (CASE) -(1 qt. Bottle)

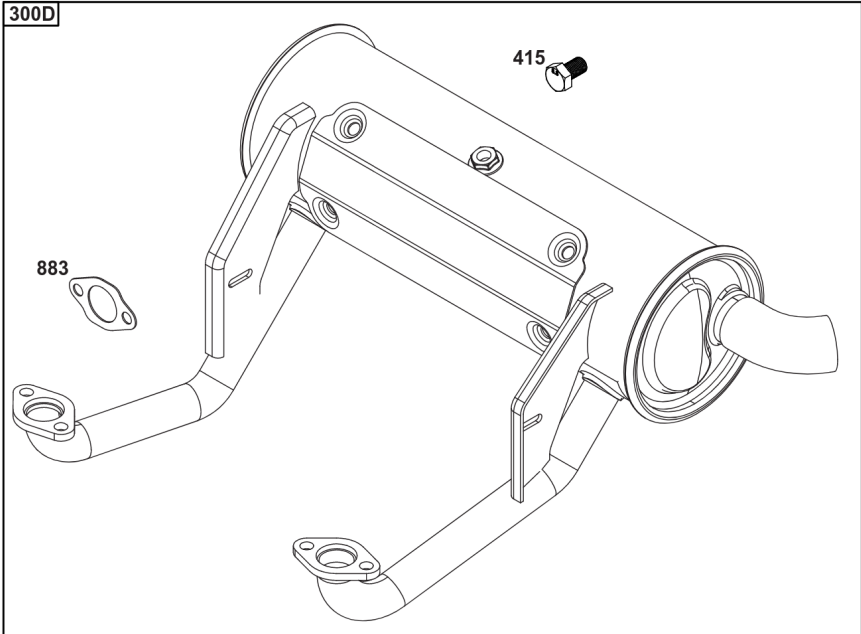
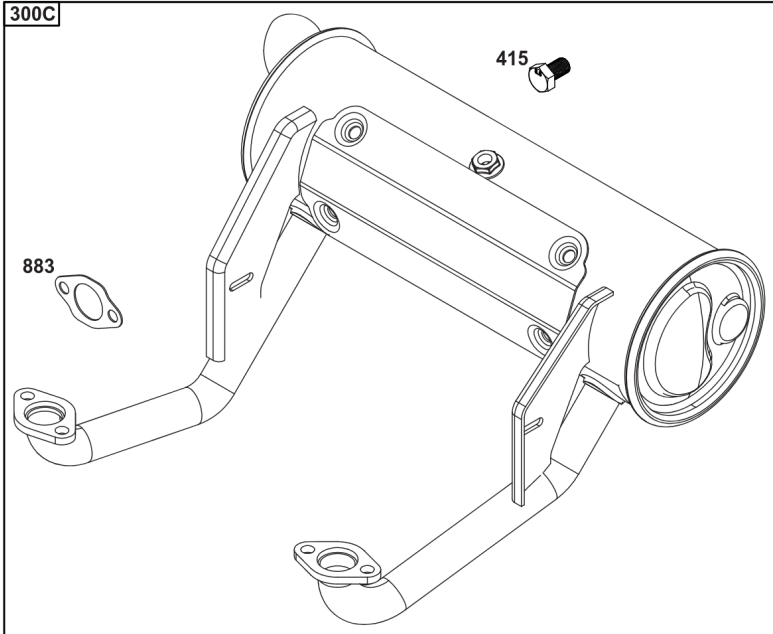




## Engine Mounted Below Deck Mufflers

REF NO	PART NO	QTY	DESCRIPTION
300	594584	1	KIT-MUFFLER/GUARD -(Oil Filter Side Outlet) (Engine Supported) (O2 Sensor Port)
300A	593877	1	MUFFLER -(Starter Side Outlet) (Engine Supported) (O2 Sensor Port)
300B	594583	1	MUFFLER -(Starter Side Outlet) (Engine Supported) (No O2 Sensor Port)
300C	692120	1	MUFFLER -(Starter Side Outlet) (No O2 Sensor Port)
415	596859	1	PLUG -(O2 Sensor Port)
613	690341	4	SCREW -(Muffler)
613A	690363	4	SCREW -(Muffler)
883	594365	2	GASKET, Exhaust
883A	690970	2	GASKET, Exhaust
1177	690941	4	NUT -(Muffler)

Not For Reproduction



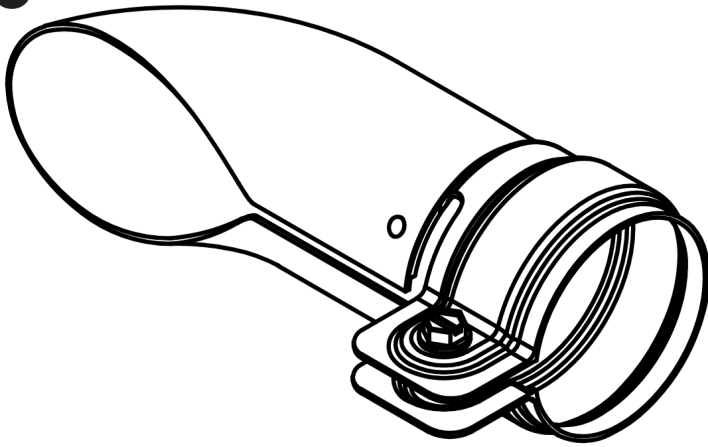
Not For  
Reproduction

## ***Engine Mounted Above Deck Mufflers***

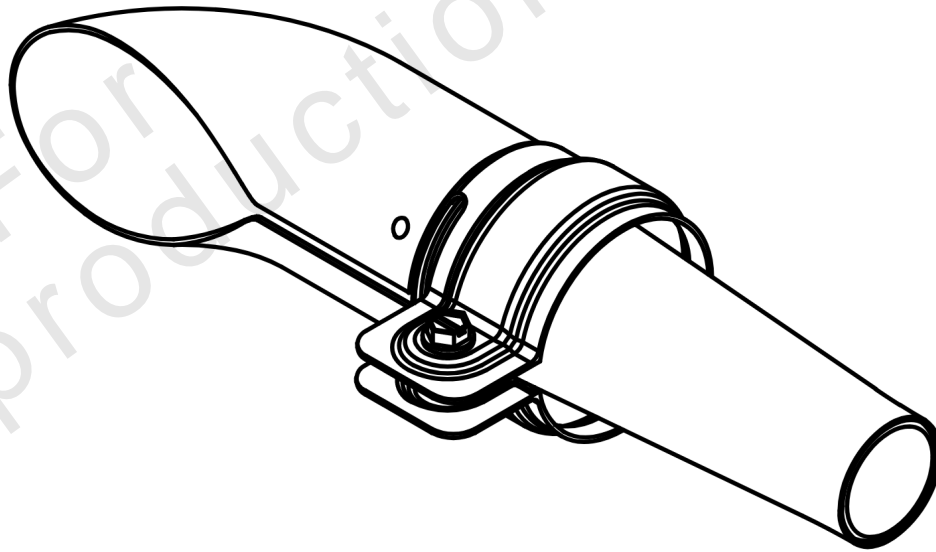
<b>REF NO</b>	<b>PART NO</b>	<b>QTY</b>	<b>DESCRIPTION</b>
300C	595138	1	MUFFLER -(Oil Filter Side Outlet) (Self-Supporting) (O2 Sensor Port)
300D	595139	1	MUFFLER -(Starter Side Outlet) (Self-Supporting) (O2 Sensor Port)
415	596859	1	PLUG -(O2 Sensor Port)
883	594365	2	GASKET, Exhaust

Not For Reproduction

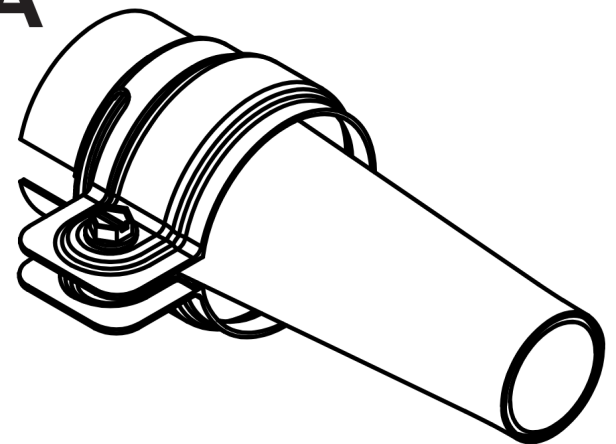
**676**



**994**



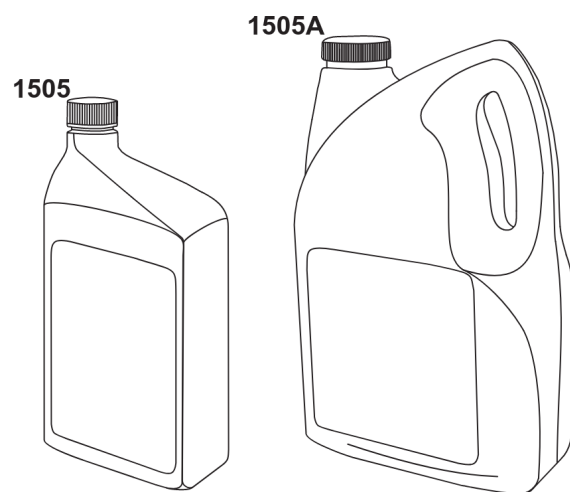
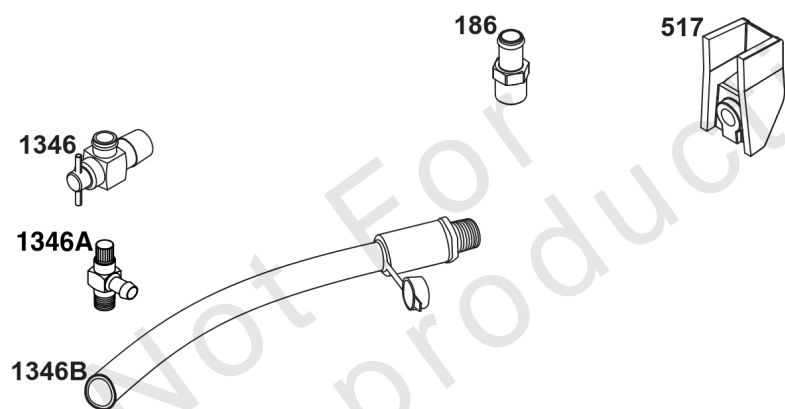
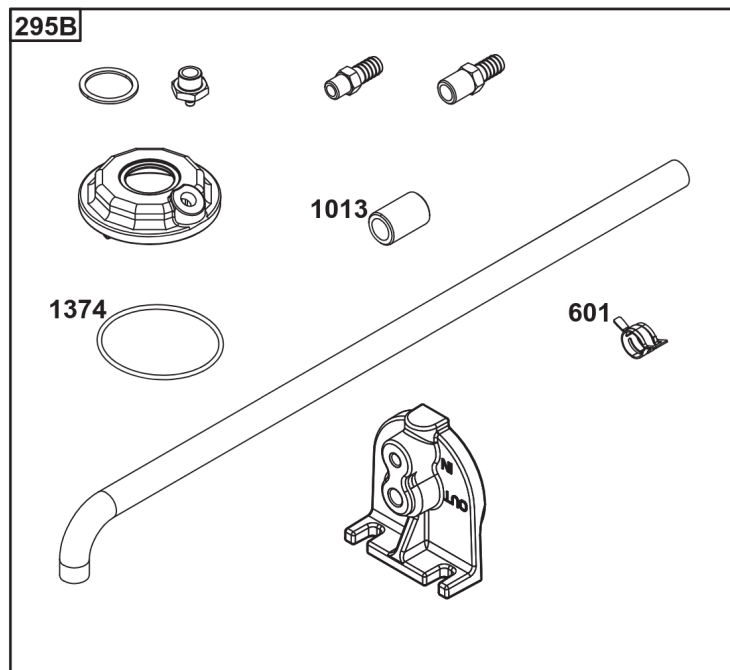
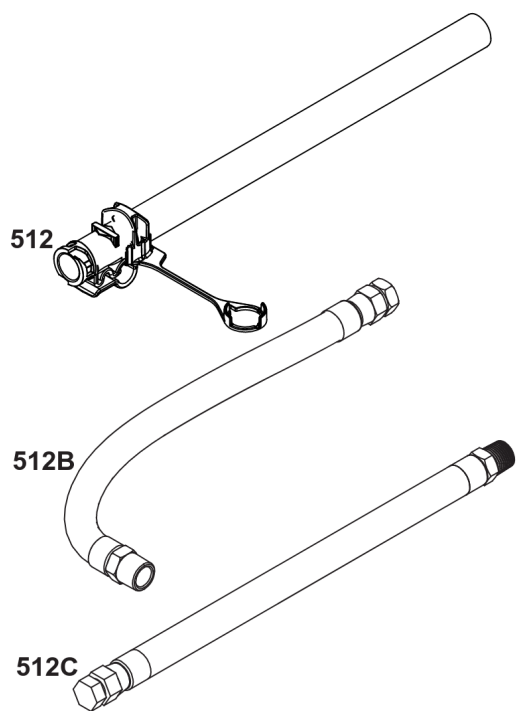
**994A**



## Spark Arrester/Deflector

REF NO	PART NO	QTY	DESCRIPTION
676	593869	1	DEFLECTOR, Muffler -(For Below Deck Mufflers Only)
994	593885	1	ARRESTOR, Spark -(For Below Deck Mufflers Only)
994A	593868	1	ARRESTOR, Spark -(For Below Deck Mufflers Only)

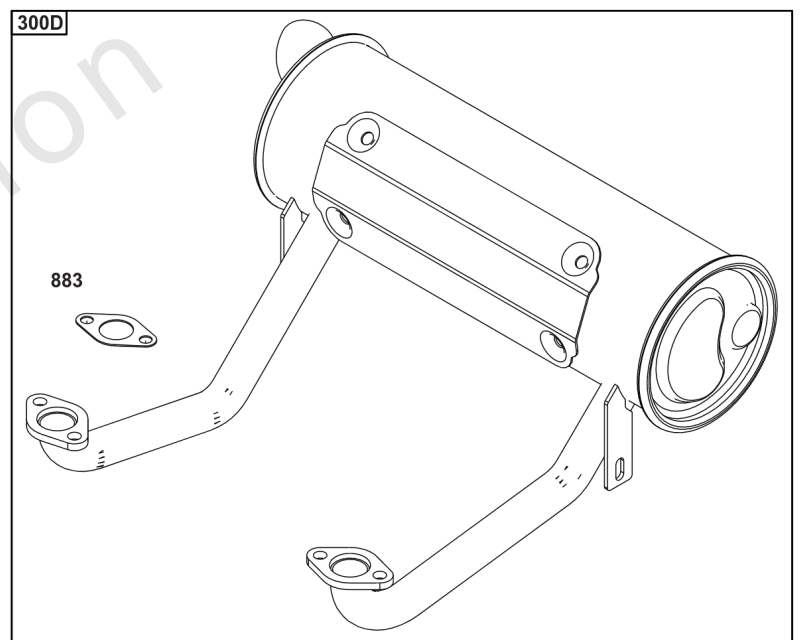
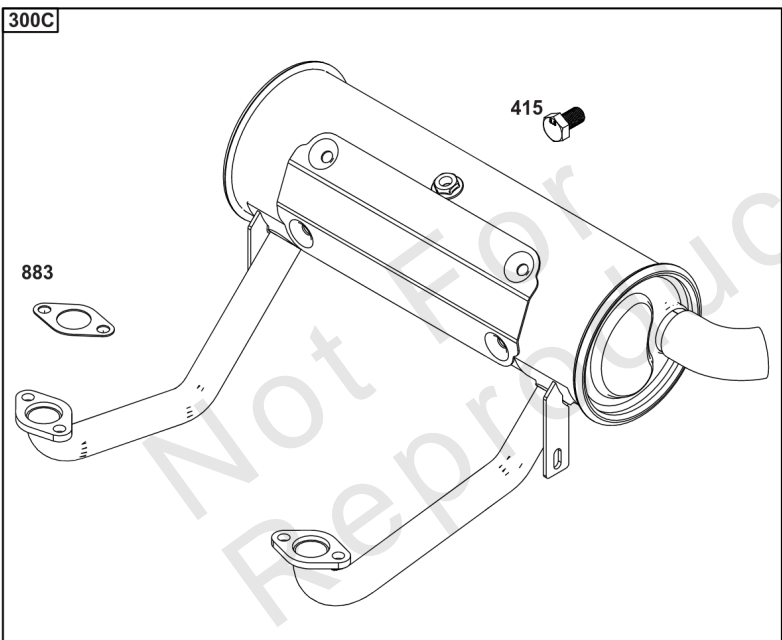
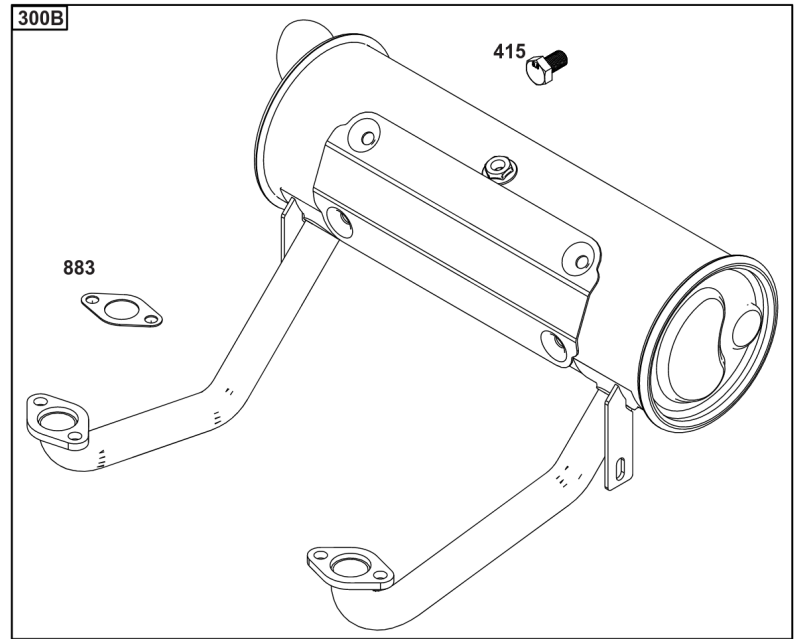
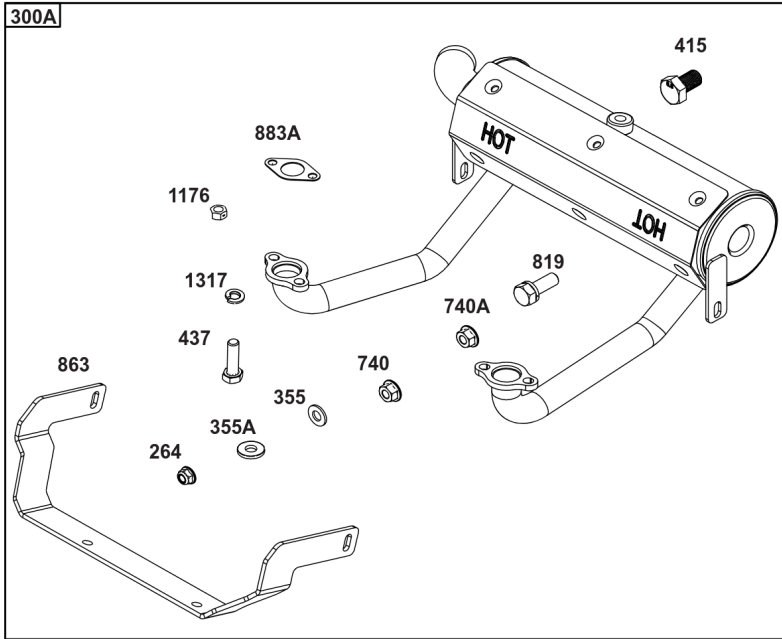
Not For Reproduction



## Lubrication

REF NO	PART NO	QTY	DESCRIPTION
186	796532	1	CONNECTOR, Hose -(Threaded Engine Block Connector for EZ-Oil Drain Hose) (Order hose separate)
239	690233	1	SWITCH, Oil Pressure -(2-4 PSI Normally-Closed Switch)
239A	491657S	1	SWITCH, Oil Pressure -(3-5 PSI Normally-Closed Switch)
239B	841281	1	SWITCH, Oil Pressure -(7-10 PSI Normally-Closed Switch)
239C	694115	1	SWITCH, Oil Pressure -(9-13 PSI Normally-Closed Switch)
239D	697049	1	SWITCH, Oil Pressure -(3-6 PSI Normally-Open Switch)
295B	594271	1	ADAPTER, Remote Oil Filter -(Remote Oil Filter Kit)
512	594200	1	HOSE, Oil Drain -(EZ-Oil Drain Hose, 10.5") (Order threaded engine block connector separate)
512	593635	1	HOSE, Oil Drain -(EZ-Oil Drain Hose, 13.75") (Order threaded engine block connector separate)
512B	1723165SM	1	HOSE, Oil Drain, 10-1/2" Long, 3/8-18 Fittings -(10.5")
512C	5048681SM	1	HOSE, OIL DRAIN -(12.5")
517	593633	1	RETAINER, Oil Drain
601	841597	4	CLAMP, Hose
1013	690954	1	NIPPLE, Oil Filter
1346	844802	1	VALVE, Oil Drain Shut Off
1346A	492031	1	VALVE, Oil Drain Shut Off
1346B	5401WEB	1	VALVE, Oil Drain Shut Off -(1/4 Turn Oil Drain Valve with Hose)
1374	796863	1	SEAL, O-Ring
1505	100169		OIL-1QT VANGUARD (CASE) -(1 qt. Bottle)
1505A	100170		OIL-5QT VANGUARD (CASE) -(5 qt. Bottle)

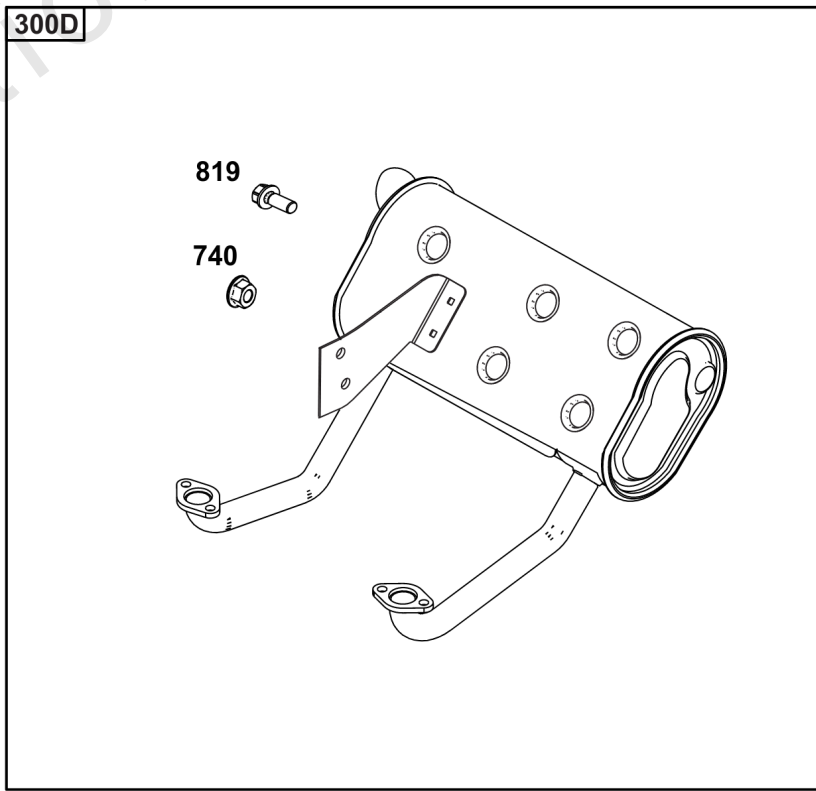
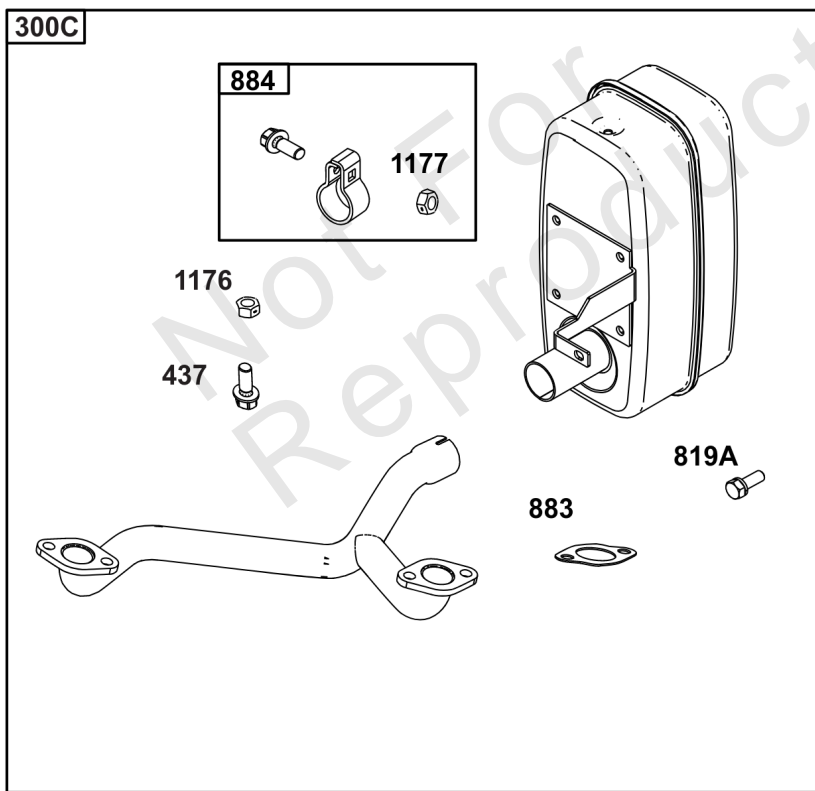
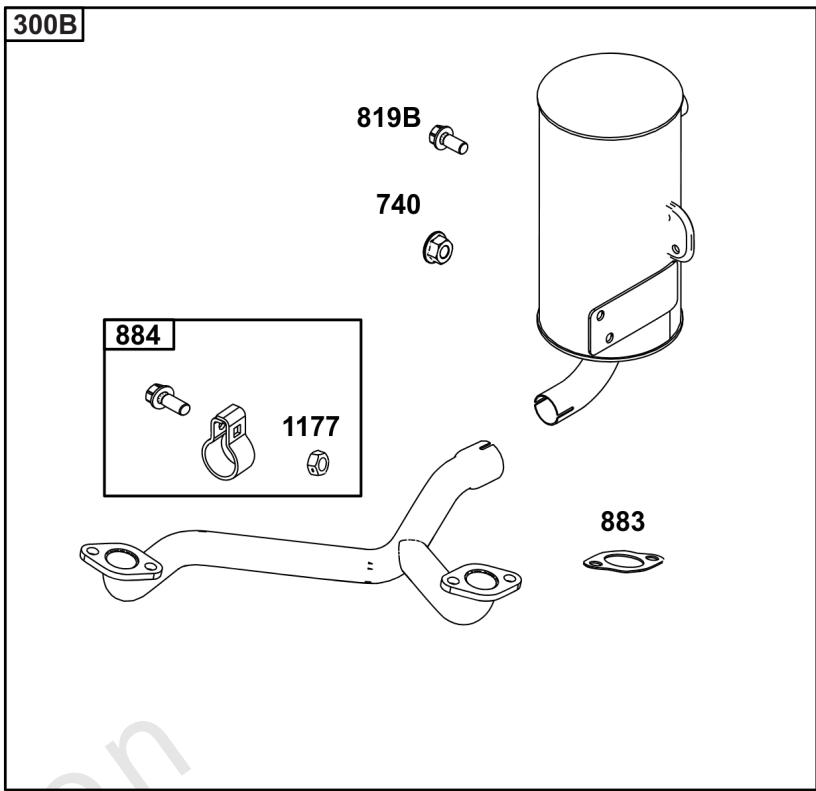
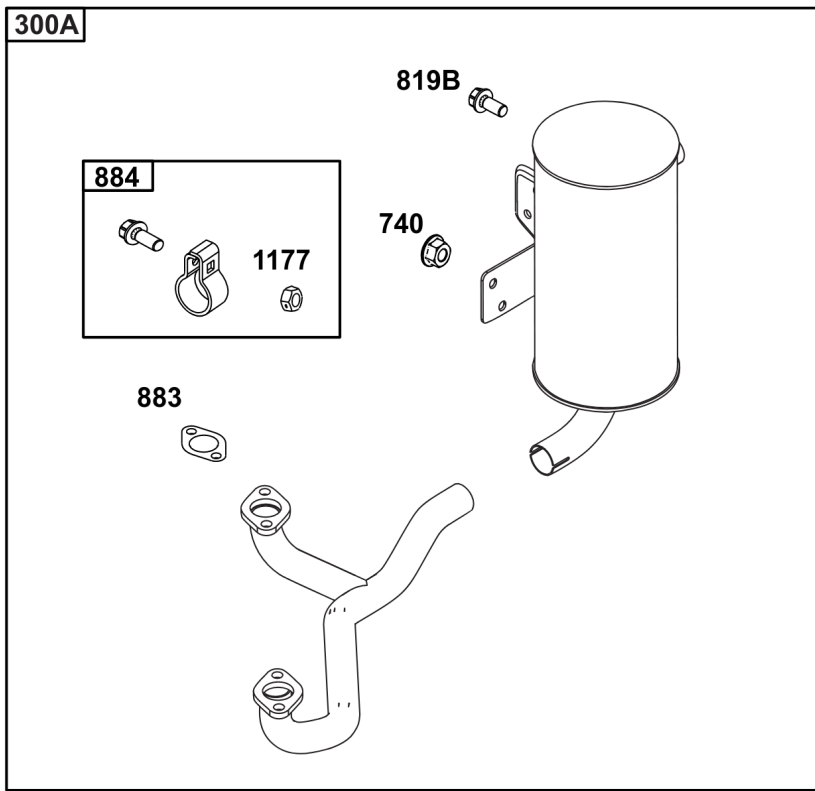
# Implement Mounted Above Deck Mufflers





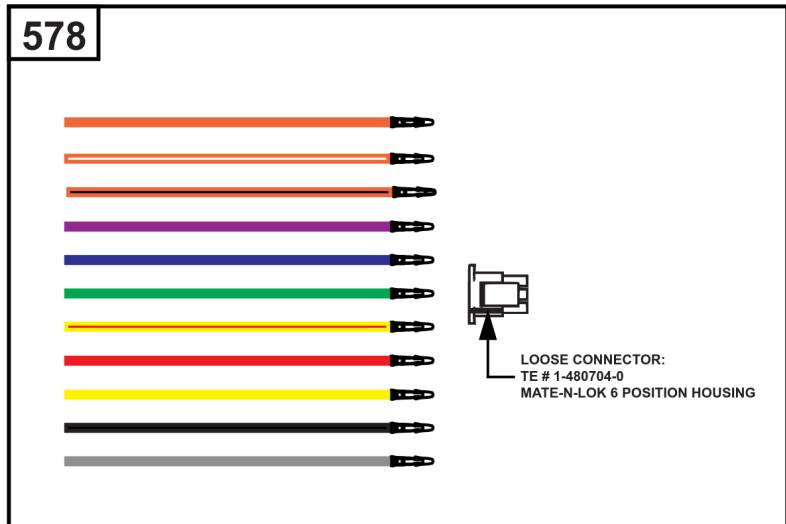
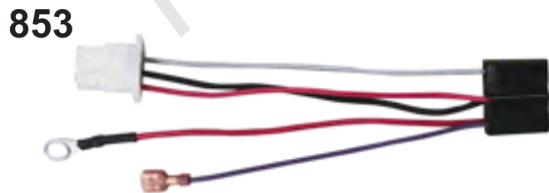
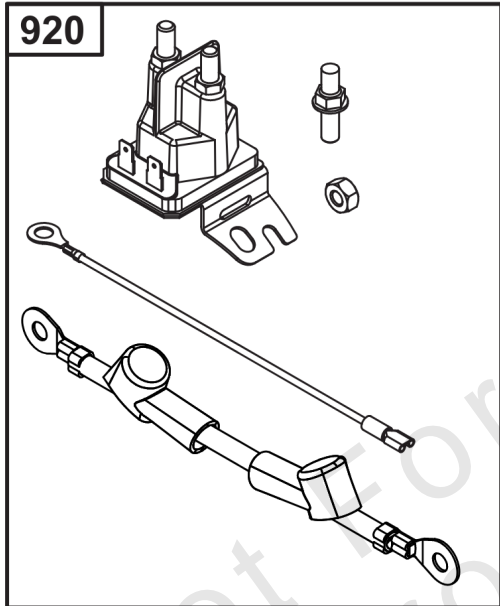
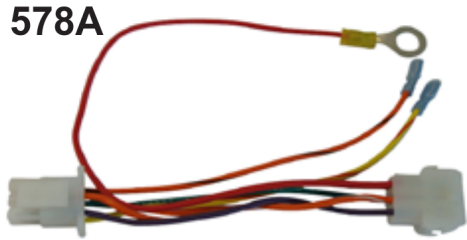
## Implement Mounted Above Deck Mufflers

REF NO	PART NO	QTY	DESCRIPTION
300A	594585	1	MUFFLER -(Oil Filter Side Outlet) (Implement Supported) (O2 Sensor Port)
300B	595134	1	MUFFLER -(Oil Filter Side Outlet) (O2 Sensor Port)
300C	595135	1	MUFFLER -(Starter Side Outlet) (O2 Sensor Port)
300D	595136	1	MUFFLER -(Oil Filter Side Outlet)
264	703465	4	NUT, 5/16-18, GR5 -(Muffler Adapter)
355	5025292SM	4	WASHER, 5/16" GD.9 FL -(Muffler Bracket)
355A	5025155SM	2	WASHER, 5/16 -(Muffler Bracket)
415	596859	1	PLUG -(O2 Sensor Port)
437	703585	4	CAPSCREW, 5/16-18X1 -(Exhaust Manifold)
740	703164	2	NUT -(Muffler Bracket)
740A	703115	2	NUT -(Muffler Bracket)
819	690341	4	SCREW -(Muffler Bracket)
863	597480	1	BRACKET, Muffler
883	594365	2	GASKET, Exhaust
883A	690970	2	GASKET, Exhaust
1176	690941	4	NUT -(Exhaust Manifold)
1317	703116	4	LCKWSHR -(Exhaust Manifold)



## Exhaust/Muffler Configurations

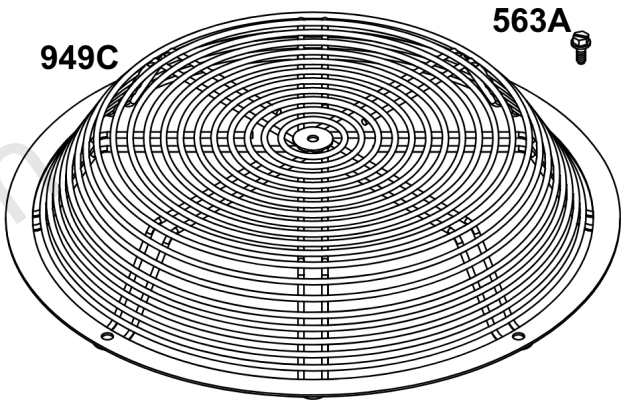
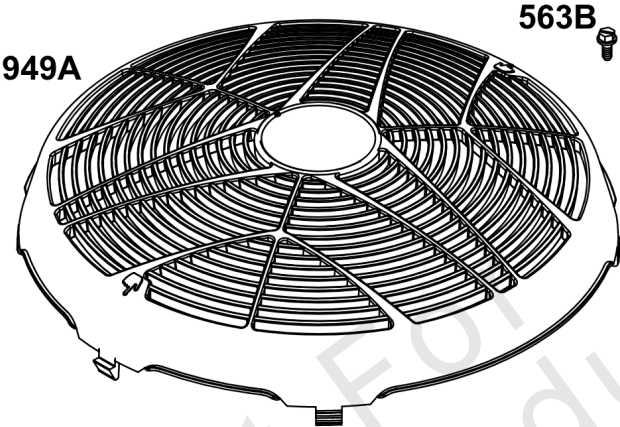
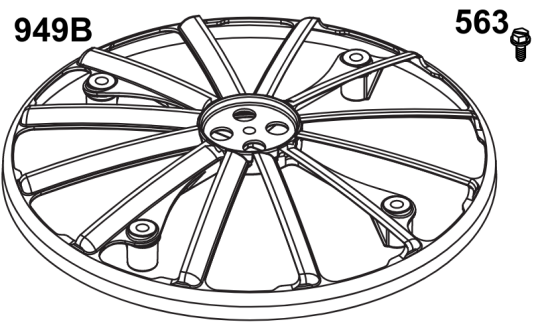
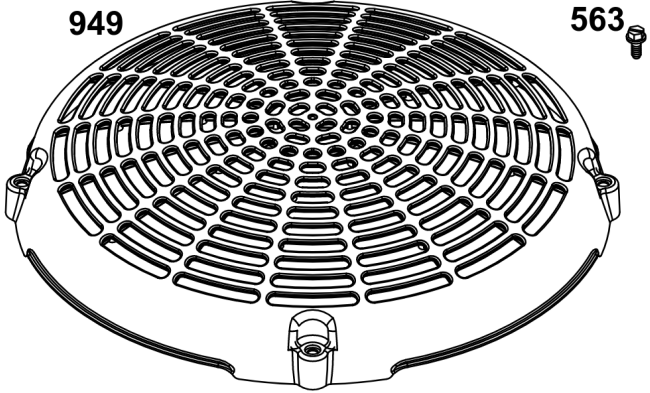
REF NO	PART NO	QTY	DESCRIPTION
300A	771127	1	MUFFLER -(Oil Filter Side Outlet)(Commercial & Professional Series)
300B	771128	1	MUFFLER -(Starter Side Outlet)(Commercial & Professional Series)
300C	595822	1	MUFFLER -(Starter Side Outlet)(Commercial & Professional Series)
300D	84003680	1	MUFFLER -(Oil Filter Side Outlet) (Commercial & Professional Series)(Vanguard 810 & 810 EFI) (Compatible with 593868 Spark Arrester, 593885 Spark Arrester with Deflector.) (Equipped with plug for blocking off O2 sensor port for non EFI engines.)
437	690341	4	SCREW -(Exhaust Manifold)
740	704067	2	NUT, HEX FLNG,5/16-18 -(Muffler Bracket)
819	592604	2	SCREW -(Muffler Bracket)
819A	695629	4	SCREW -(Muffler Bracket)
819B	692062	2	SCREW -(Muffler Bracket)
883	594365	2	GASKET, Exhaust
884	691956	1	CLAMP, Muffler
1176	690941	4	NUT -(Exhaust Manifold)
1177	793859	1	NUT -(Muffler)



## Electrical

REF NO	PART NO	QTY	DESCRIPTION
578	84007350	1	WIRE ASSEMBLY -(Wire Harness Adapter Aids in repowering engine application with Male 6-Pin connector and wires create custom adapter configurations.)
578A	19631	1	TOOL, CUSTOM HARNESS -(6-pin Wire Harness Adapter) (Aids in repowering engine application to an EFI engine)
853	84003359	1	ADAPTER, WIRE -(Wire Harness Adapter) (Aids in repowering ExMark) (Flat 6-spade connector to Briggs & Stratton 6-Pin connector)
920	84002147	1	SOLENOID, STARTER -(Starter Solenoid Kit) (Aids in Repowering when original is solenoid shift)
983	5103809YP	1	LIGHT, Indicator -(MIL Light Indicator) (LED Red)
1616	19626	1	CODE READER -(Tiny Scan Code Reader)

Not For Reproduction

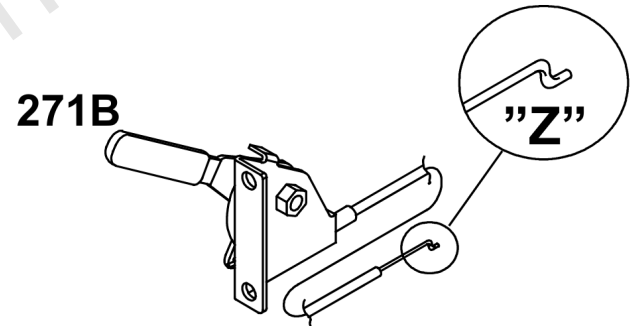
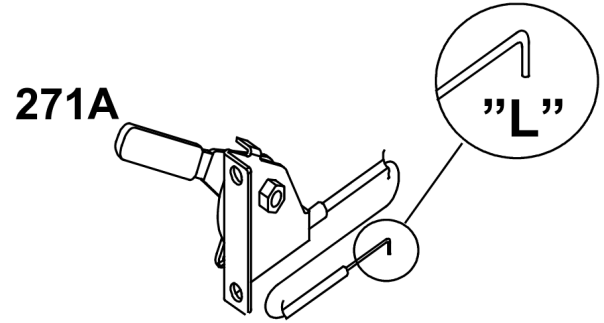
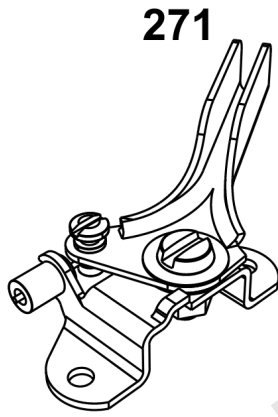
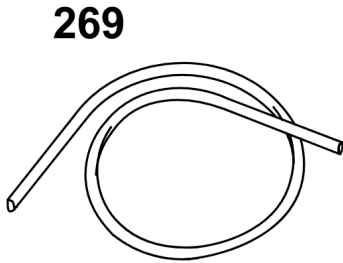
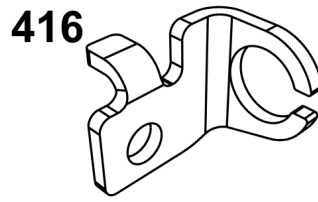
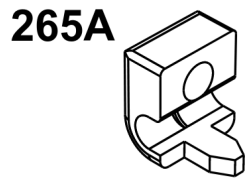
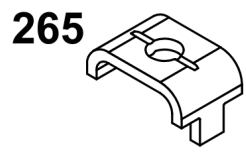


Not For  
Reproduction

## ***Flywheel Guards***

<b>REF NO</b>	<b>PART NO</b>	<b>QTY</b>	<b>DESCRIPTION</b>
563	799360	1	SCREW -(Debris Screen Guard)
563A	597574	1	SCREW -(Debris Screen Guard)
563B	799359	1	SCREW -(Debris Screen Guard)
949	799357	1	GUARD, Debris Screen -(Static Cover Flywheel) (Requires 4 x 799360 Screw)
949A	797420YP	1	GUARD, Debris Screen -(Static Cover Flywheel High Flow) (Requires 4 x 799360 Screw)
949B	593206	1	GUARD, Debris Screen -(Static Cover Flywheel) (Requires 4 x 799359 Screw)
949C	597573	1	GUARD, Debris Screen -(Wire Static Flywheel Cover) (Requires 4x 597574 Screw) (For Commercial Series)

Not For Reproduction



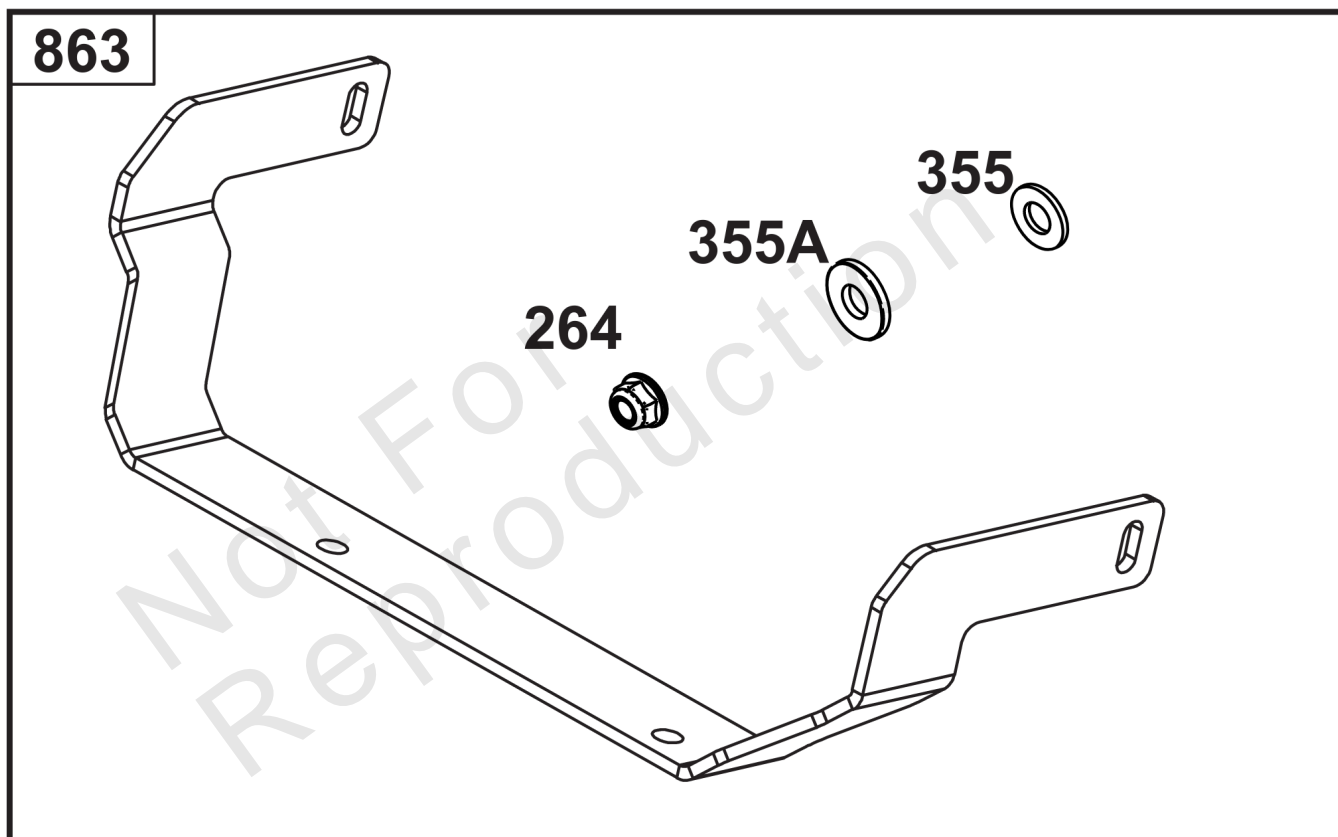
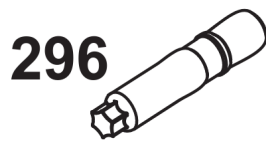
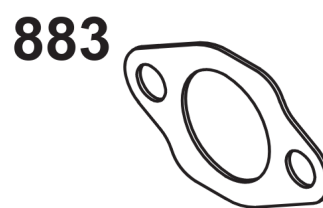
Not For  
Reproduction



## Speed Control

REF NO	PART NO	QTY	DESCRIPTION
265	691024	1	CLAMP, Casing -(Casing Clamp for Hard Casing)
265A	690798	1	CLAMP, Casing -(Casing Clamp for Soft Casing)
267	792629	1	SCREW -(Screw for Casing Clamp)
269	93907	1	WIRE, Control -(Control Wire 100')
271	691028	1	LEVER, Control -(Speed Control Lever Assembly)
271A	692105	1	LEVER, Control -("L" formed end Speed Control Lever Assembly)
271B	692541	1	LEVER, Control -("Z" formed end Speed Control Lever Assembly)
416	595196	1	BRACKET, Throttle Cable -(Casing Clamp for Snap-In Casing)

Not For Reproduction



## Muffler Mounting Hardware

REF NO	PART NO	QTY	DESCRIPTION
264	703465	4	NUT, 5/16-18, GR5 -(Muffler Adapter)
296	591756	4	STUD -(Muffler)
355	5025292SM	4	WASHER, 5/16" GD.9 FL -(Muffler Bracket)
355A	5025155SM	2	WASHER, 5/16 -(Muffler Bracket)
613	690341	4	SCREW -(Muffler)
613A	690363	4	SCREW -(Muffler)
863	597480	1	BRACKET, Muffler
883	594365	2	GASKET, Exhaust
883A	690970	2	GASKET, Exhaust
1177	690941	4	NUT -(Muffler)

Not For Reproduction

