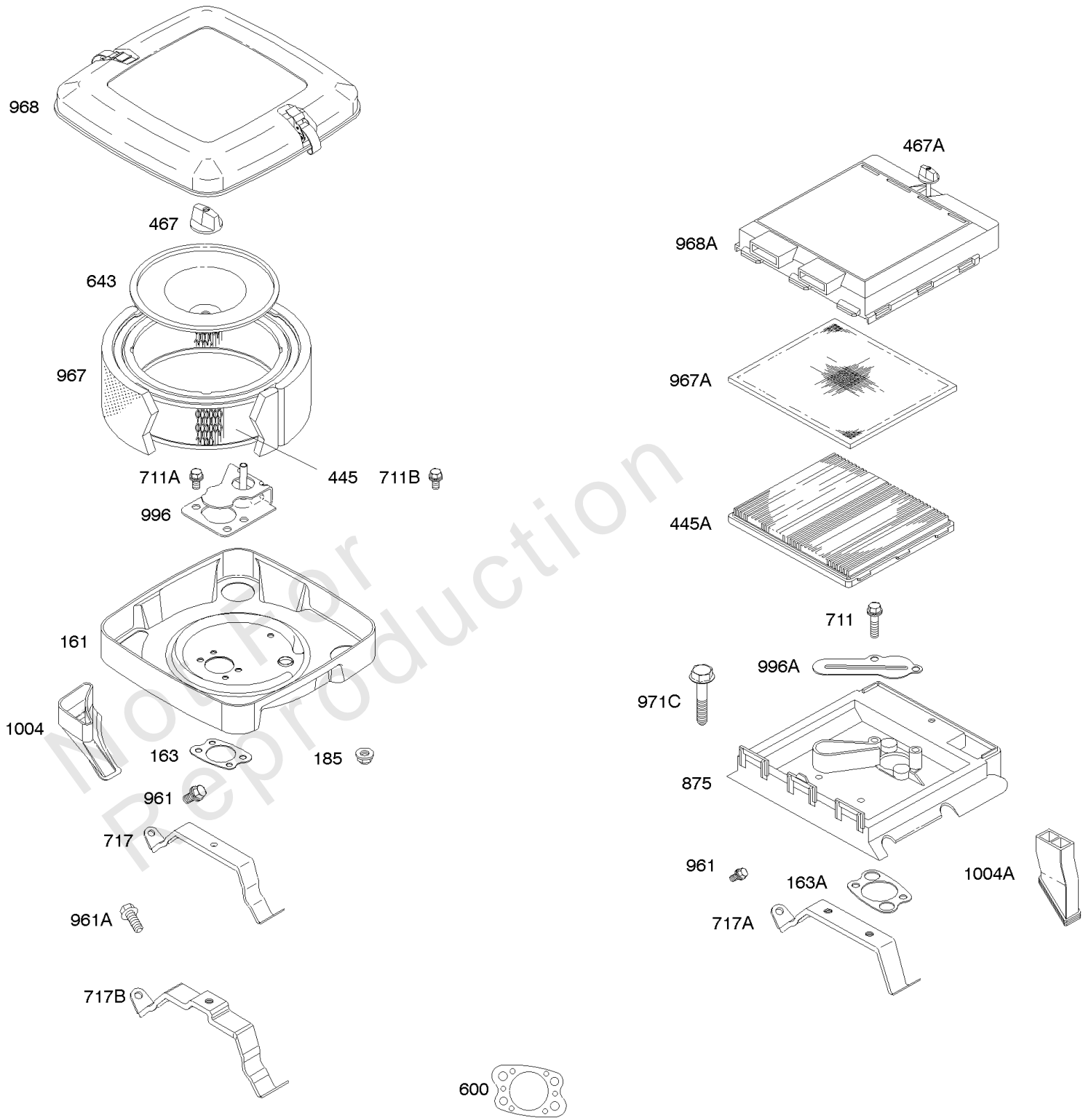




Parts Manual

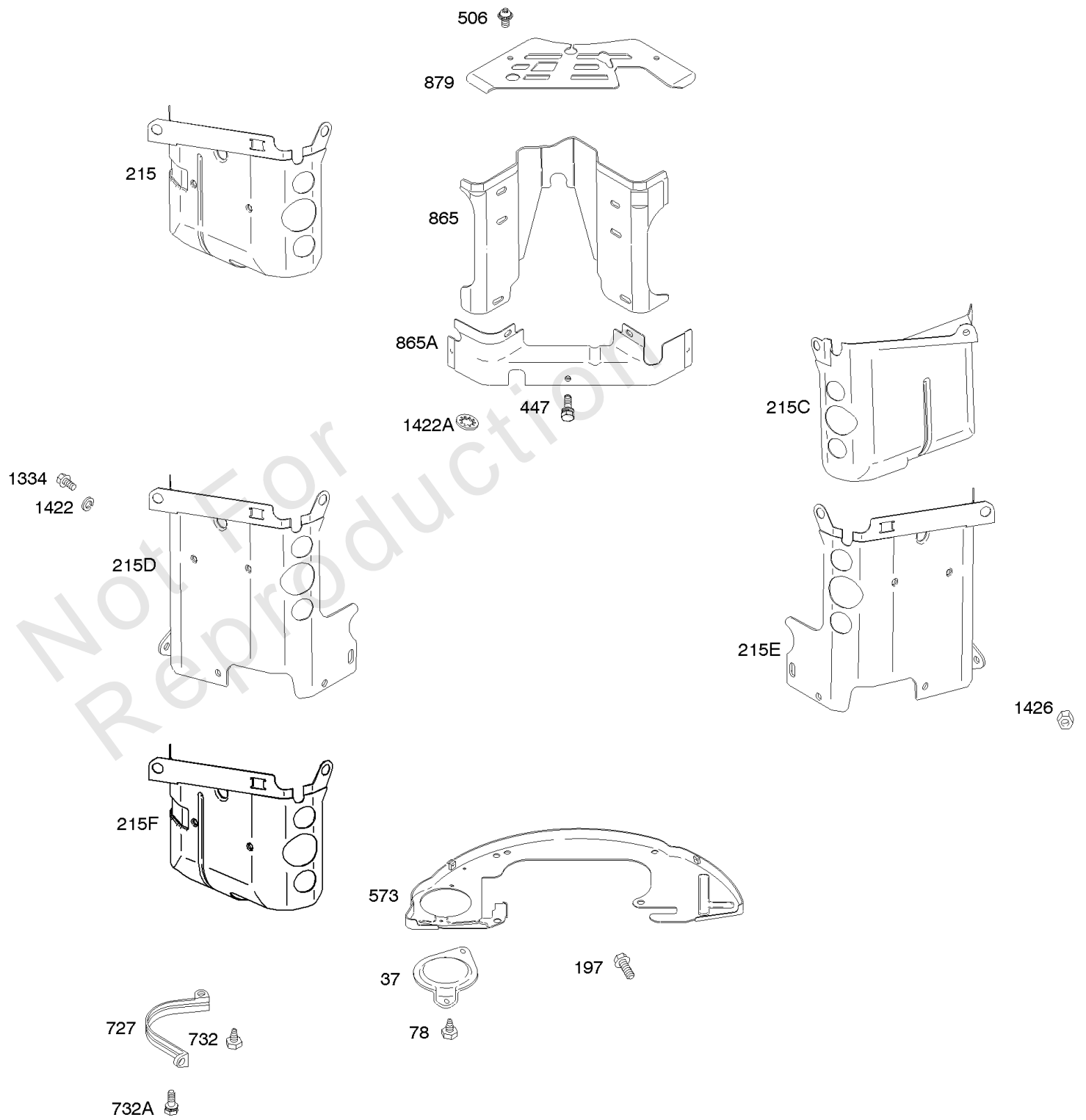
Mfg. No: 350777-1152-E1

Model Components	Page
Air Cleaners.	4
Air Guides, Back Plates.	6
Alternator, Controls, Governor Spring, Ignition, Wire.	8
Blower Housings.	12
Camshaft, Crankshaft, Intake Manifold.	14
Carburetor #1.	16
Carburetor #2.	20
Carburetor Overhaul Kits/Sets, Engine Gasket Set, Valve Gasket Set.	24
Crankcase Cover/Sump, Lubrication.	28
Cylinder Heads, Rocker Covers.	32
Cylinder, Piston/Rings/Connecting Rod.	34
Electric Starters.	36
Exhaust Manifolds, Mufflers.	40
Flywheels, Fans, Rotating Screens.	42
Replacement Engine - US & Canada.	44
Rewind Starters.	45
Model 29, 30, 35 & 38 Engine Accessories Catalog.	47
Maintenance Kits.	48
Lubrication.	50
Starter Motor Side Outlet Mufflers.	52
Oil Filter Side Outlet Mufflers.	54
Oil Filter Side Outlet Manifolds.	56
Starter Motor Side Outlet Manifolds.	58
Mufflers.	60
Center Outlet Mufflers.	62
Muffler Guards and Shields.	64
Spark Arrestors and Deflectors.	66
Muffler Mounting Hardware.	68
Flywheel and Air Intake Guards.	70
PTO.	72
Electrical.	74
Speed Control.	76



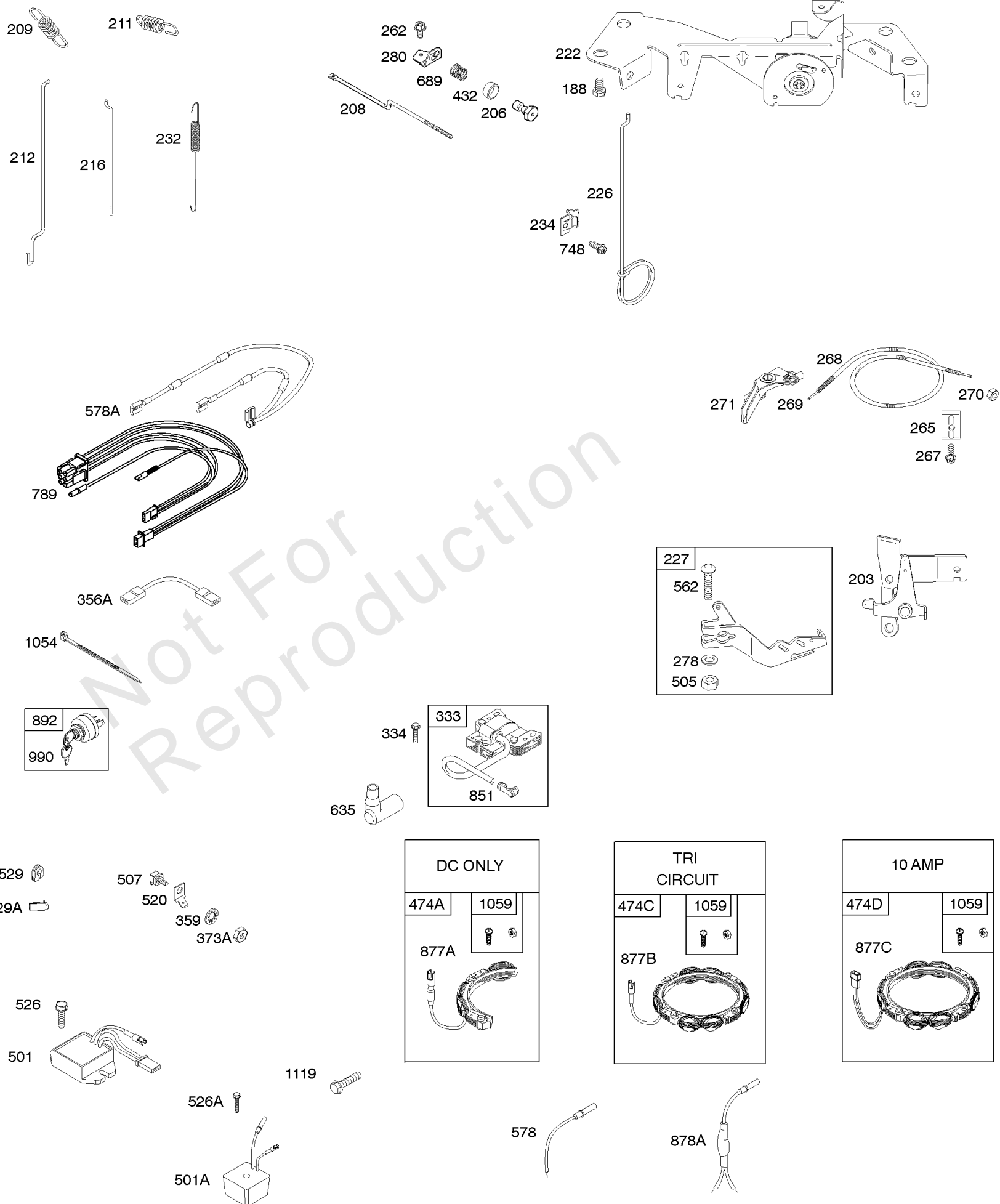
Air Cleaners

REF NO	PART NO	QTY	DESCRIPTION
161	691561		BASE, Air Cleaner -(Metal)
163	692081		GASKET, Air Cleaner -(Used With Metal Air Cleaner Base)
163A	692052		GASKET, Air Cleaner -(Used With Plastic Air Cleaner Base)
185	690939		NUT -(Air Cleaner Base)
445	394018S		FILTER, A/C Cartridge
445A	805113		FILTER, A/C Cartridge
467	691985		KNOB, Air Cleaner Cover
467A	690895		KNOB, Air Cleaner Cover
643	692079		RETAINER, Air Filter
711	690699		SCREW -(Carburetor Shield)
711A	807084		SCREW -(Carburetor Shield)
711B	841233		SCREW -(Carburetor Shield)
717	692542		STRAP/STUD, Air Cleaner Mounting
717A	690896		STRAP/STUD, Air Cleaner Mounting
875	690894		BASE, Air Cleaner -(Plastic)
961	690872		SCREW -(Air Cleaner Bracket) -Used After Code Date 97103100
961A	841233		SCREW -(Air Cleaner Bracket)
967	272490S		FILTER, Pre Cleaner -(Round)
968	699959		COVER, Air Cleaner -(Used With Metal Air Cleaner Base)
968A	690694		COVER, Air Cleaner -(Used With Plastic Air Cleaner Base)
971C	691492		SCREW -(Air Cleaner Base) (Remote Choke)
996	691577		SHIELD, Carburetor
996A	690696		SHIELD, Carburetor
1004	690743		DUCT, Air -(Used With Metal Air Cleaner Base)
1004A	692538		DUCT, Air -(Used With Plastic Air Cleaner Base)



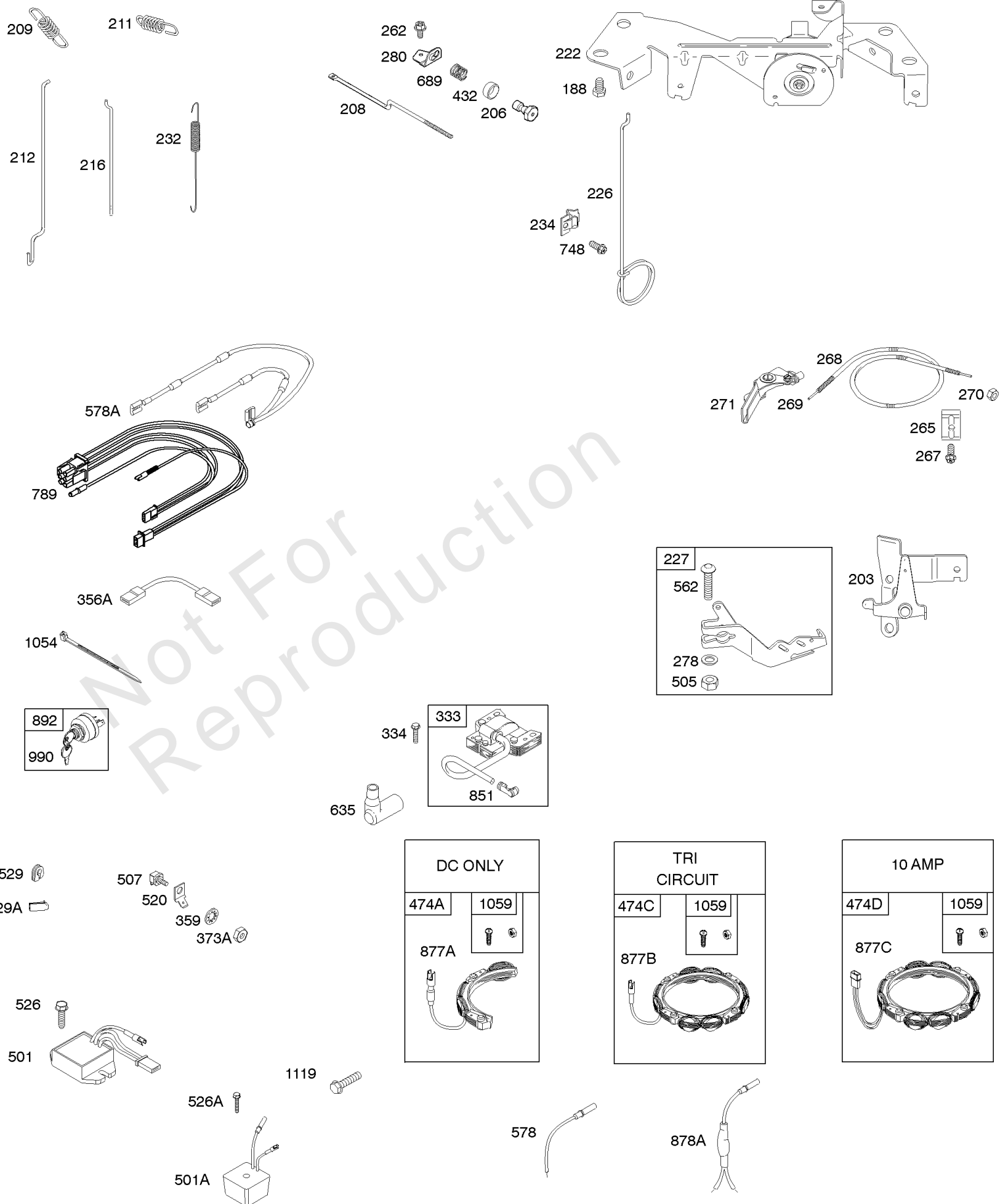
Air Guides, Back Plates

REF NO	PART NO	QTY	DESCRIPTION
37	841309		GUARD, Flywheel
78	690688		SCREW -(Flywheel Guard)
197	807163		SCREW -(Back Plate)
215	841232		COVER, Cylinder Head -(Cylinder 1)
215C	692805		COVER, Cylinder Head -(Cylinder 2)
215D	841317		GUIDE, Air -(Cylinder 1)
215E	841316		GUIDE, Air -(Cylinder 2)
215F	841182		GUIDE, Air -(Cylinder 2)
447	841233		SCREW -(Air Guide Cover)
506	690677		SCREW -(Carburetor Cover)
573	841310		PLATE, Back
727	841313		COVER, Starter Drive -(Black)
732	690688		SCREW -(Starter Drive Cover)
732A	841233		SCREW -(Starter Drive Cover)
865	841312		COVER, Air Guide
865A	841319		COVER, Air Guide
879	841860		COVER, Carburetor/EFI
1334	692067		SCREW -(Air Guide)
1422	690706		WASHER -(Air Guide) (Spring Lock)
1422A	691551		WASHER -(Air Guide) (Internal Tooth Lockwasher) -Used Before Code Date 03110100
1426	690238		NUT -(Air Guide)

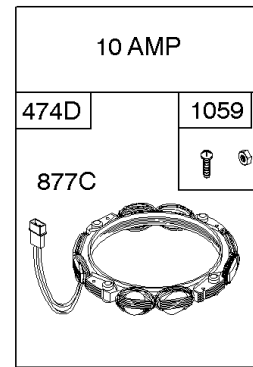
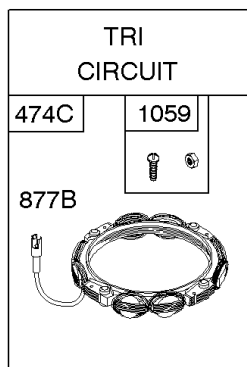
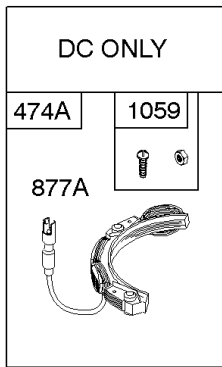


Alternator, Controls, Governor Spring, Ignition, Wire

REF NO	PART NO	QTY	DESCRIPTION
10	690751		SCREW -(Breather Assembly)
188	692056		SCREW -(Control Bracket)
203	690923		CRANK, Bell
206	691244		NUT, Governor Adjusting
208	808453		ROD, Governor Control
209	690710		SPRING, Governor -(Silver)
211	692069		SPRING, Governed Idle
212	690712		LINK, Throttle
216	690705		LINK, Choke
222	808454		BRACKET, Control
226	692075		ROD, Choke
227	690236		LEVER, Governor Control
232	692073		SPRING, Governor Link
234	691723		CLIP, Control Rod
262	692083		SCREW -(Rod Bracket)
265	691024		CLAMP, Casing
267	692083		SCREW -(Casing Clamp)
268	691025		CASING, Control Wire -(Cut To Required Length)
269	691026		WIRE, Control -(Cut To Required Length)
270	691027		NUT -(Control Wire Casing)
271	691028		LEVER, Control
278	842122		WASHER -(Governor Control Lever)
280	691526		BRACKET, Fixed Speed
333	492341		ARMATURE, Magneto
334	692066		SCREW -(Magneto Armature)
359	691077		WASHER -(Ground Terminal)
373A	691612		NUT -(Ground Terminal)
432	691509		CAP, Spring
474A	696578		ALTERNATOR -(DC Only)
474C	696457		ALTERNATOR -(Tri Circuit)
474D	696458		ALTERNATOR -(10 AMP)
501	691185		REGULATOR -(10 and 16 Amp Regulated)
501A	691188		REGULATOR -(10 AMP)
505	690238		NUT -(Governor Lever)
507	691972		INSULATOR
520	691084		TERMINAL, Ground -(Brass)
526	692067		SCREW -(Regulator)

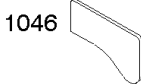
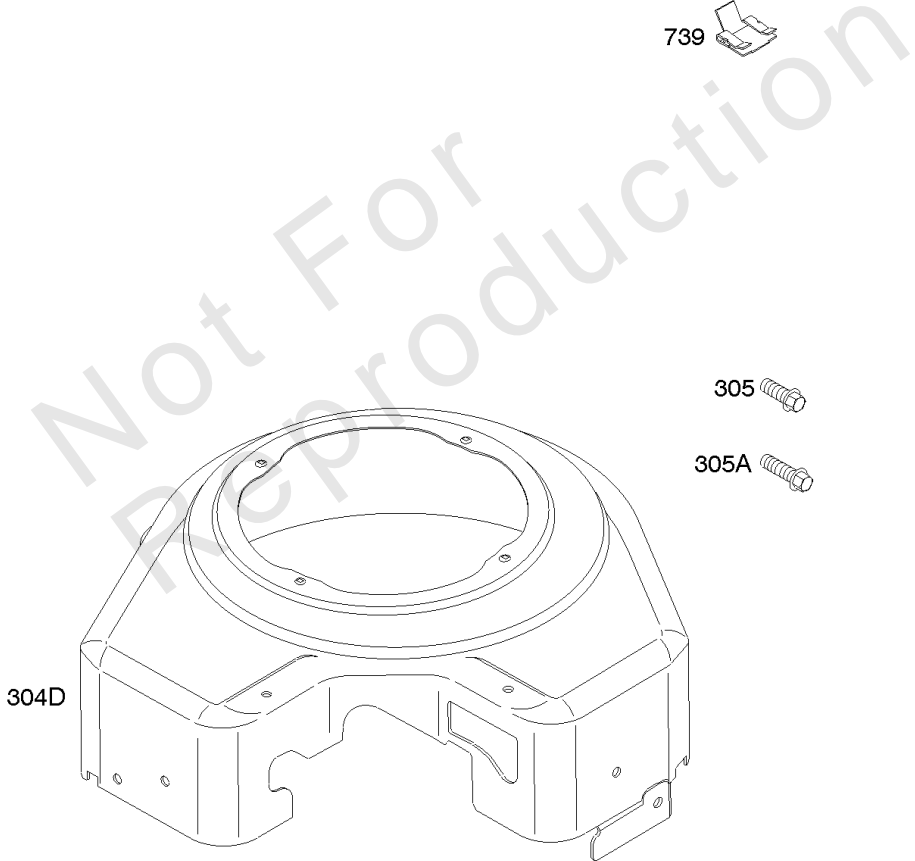
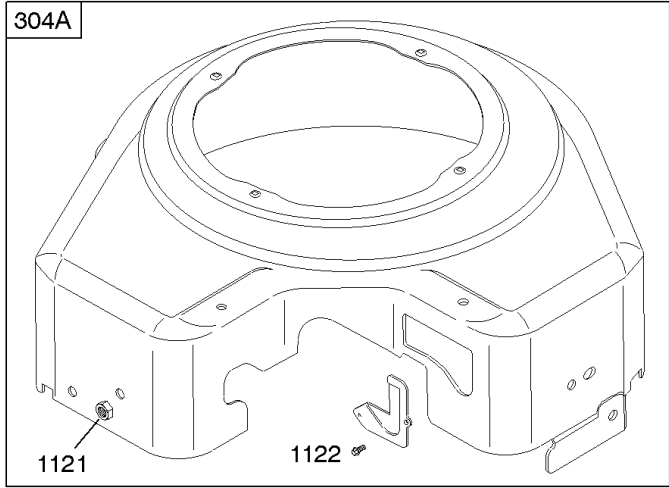


Not For
Reproduction



Alternator, Controls, Governor Spring, Ignition, Wire

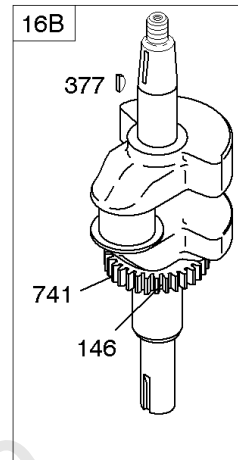
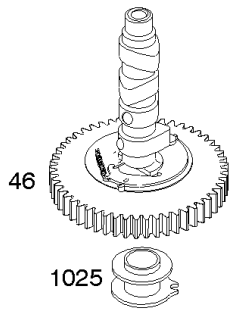
REF NO	PART NO	QTY	DESCRIPTION
526A	690717		SCREW -(Regulator) (5 To 9 Amp Regulated)
529	690744		GROMMET
529A	805783		GROMMET -(Breather Extension)
562	690239		BOLT -(Governor Control Lever)
578	692306		WIRE ASSEMBLY -(1 Wire, 48-1/2" Long)(Snap Connect Female Pin Socket, And Bare WireEnd)
578A	692319		WIRE ASSEMBLY -(With Diodes)
635	692076		BOOT, Spark Plug
689	691272		SPRING, Friction
748	692083		SCREW -(Control Rod Clip)
851	493880S		TERMINAL-SPARK PLUG
877A	393814		WIRE/CONNECTOR, Alternator -(DC Only)
877B	393537		WIRE/CONNECTOR, Alternator -(Tri Circuit)
877C	399916		WIRE/CONN-ALTERNATOR -(2 Wires, 7-53/64)(2 Bare Wire Ends, And Insulated Snap ConnectMale Pin Terminal)
878A	691955		HARNESS, Alternator
892	692318		SWITCH, Key
990	691959		SET, Key
1054	280275		TIE, Cable
1059	698516		KIT, Screw/Washer
1119	691552		SCREW -(Alternator)



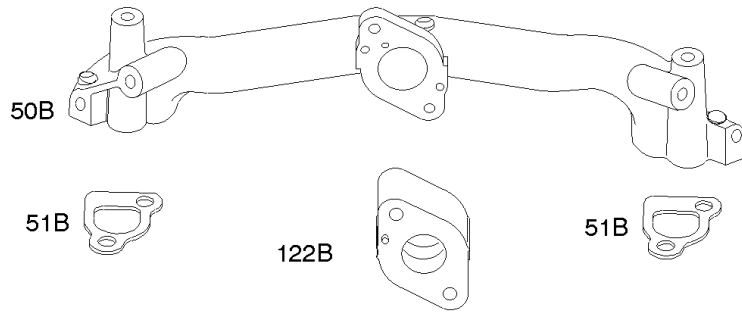
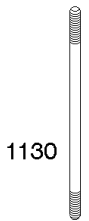
1036 EMISSIONS LABEL

Blower Housings

REF NO	PART NO	QTY	DESCRIPTION
304A	690929		HOUSING, Blower -(Black)
304A	690930		HOUSING, Blower -(Red)
305	692056		SCREW -(Blower Housing) (M8x14mm)
305A	692062		SCREW -(Blower Housing) (M8X18mm Long)
729	805827		CLIP, Wire -(Black)(Spring Steel)
729B	690586		CLIP, Wire -(Snap In)(Nylon)
739	690451		CLIP -(Debris)
1036	-----		Label-Emissions -(Available From A Briggs & Stratton Authorized Dealer)
1121	810056		NUT -(Fuel Pump Bracket)
1122	93410		SCREW -(Blower Housing Adapter)

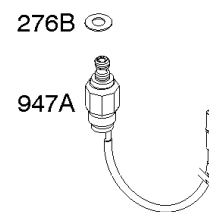
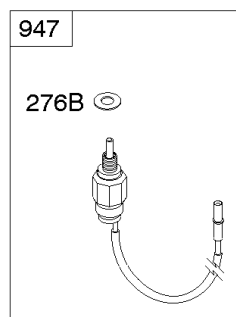
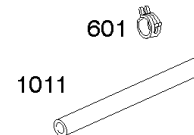
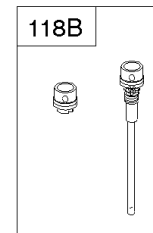
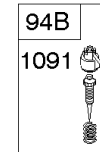
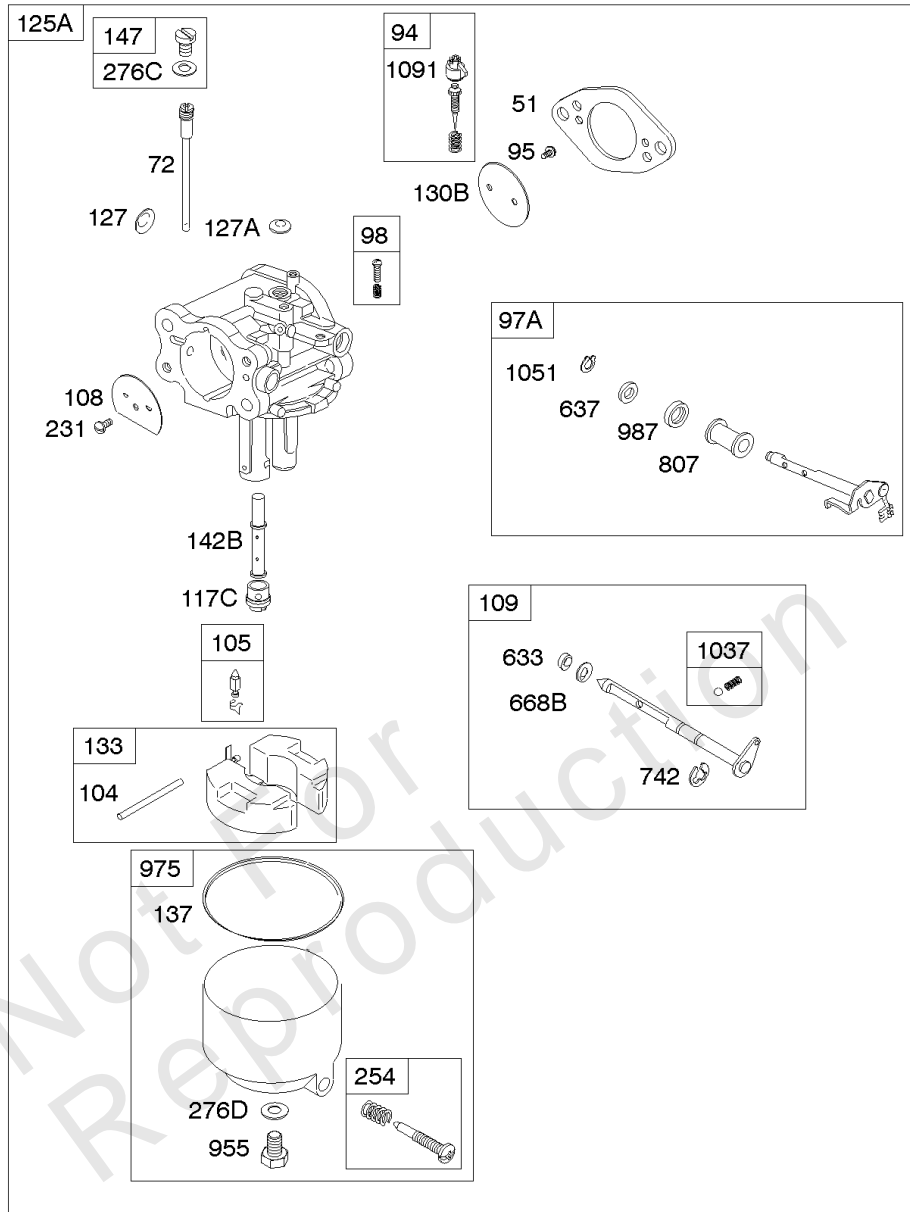


Not For
Reproduction



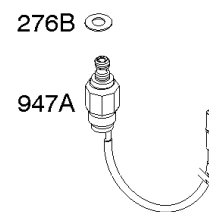
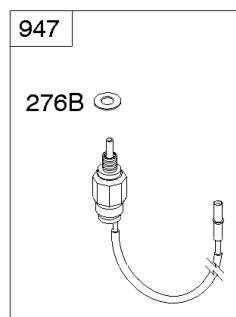
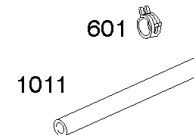
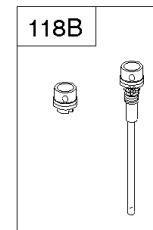
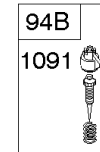
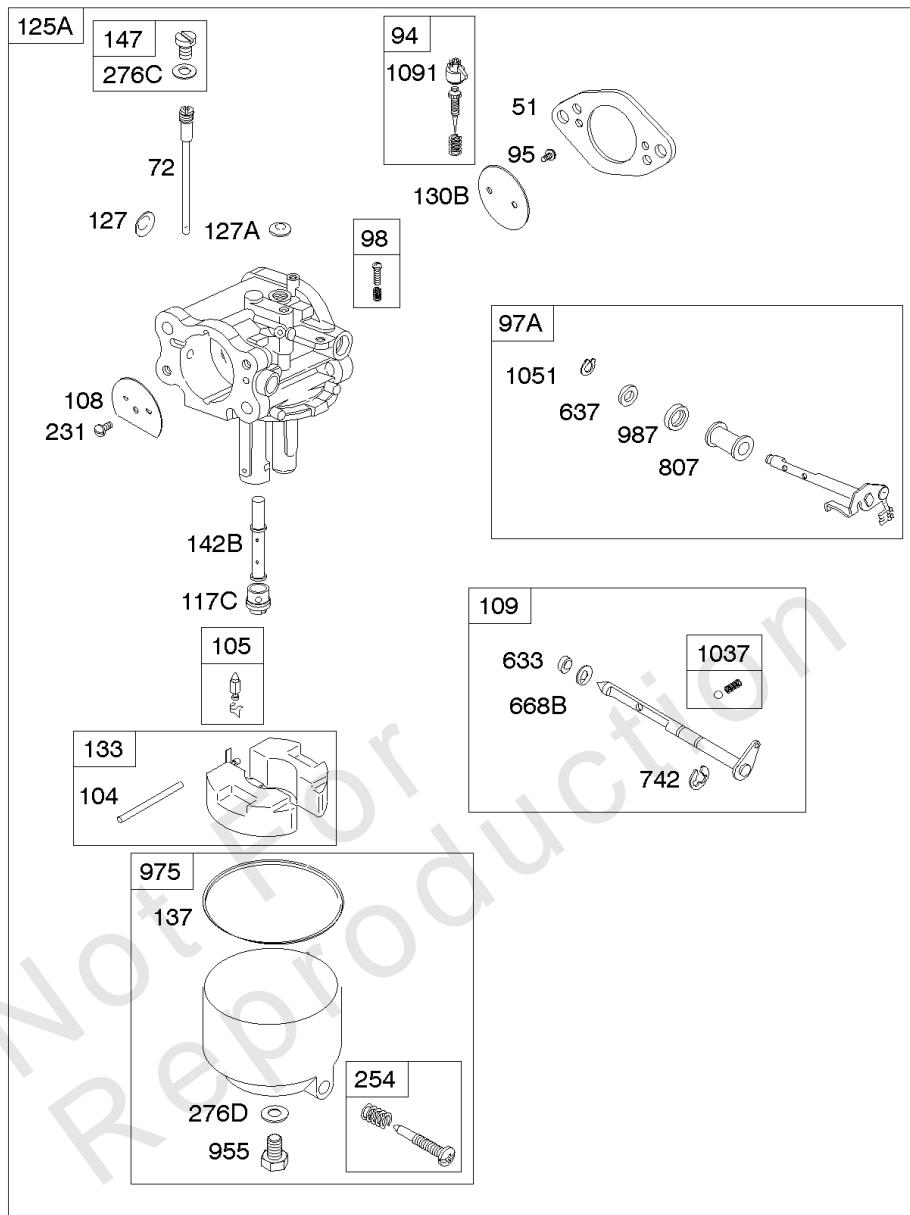
Camshaft, Crankshaft, Intake Manifold

REF NO	PART NO	QTY	DESCRIPTION
16B	809807		CRANKSHAFT -Used After Code Date 97043000
16B	807779		CRANKSHAFT -Used Before Code Date 97050100
46	691557		CAMSHAFT
50B	690754		MANIFOLD, Intake
51B	692035		GASKET, Intake -(Manifold/Heads)
54	690676		SCREW -(Intake Manifold)
122B	690748		SPACER, Carburetor
146	691639		KEY, Woodruff
357	691483		KEY, Drive Pulley
377	808095		KEY, Flywheel
654	690939		NUT -(Carburetor)
741	691530		GEAR, Timing
1025	690689		SPOOL, Governor
1130	690746		STUD -(Intake Manifold)



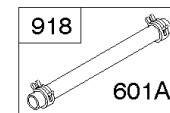
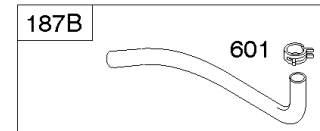
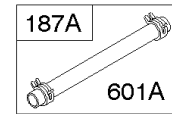
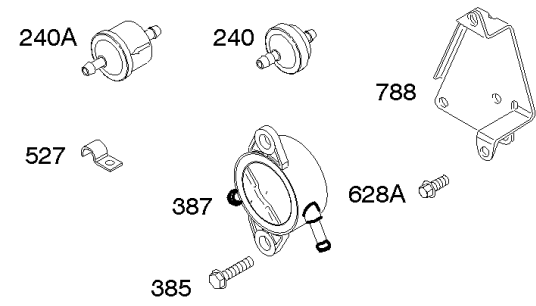
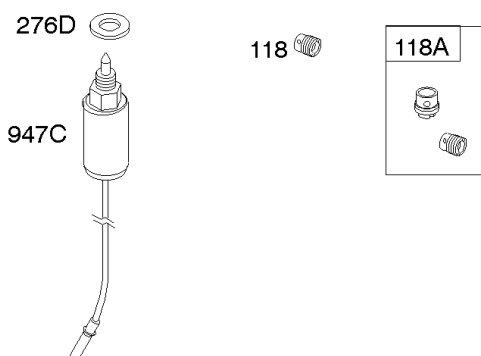
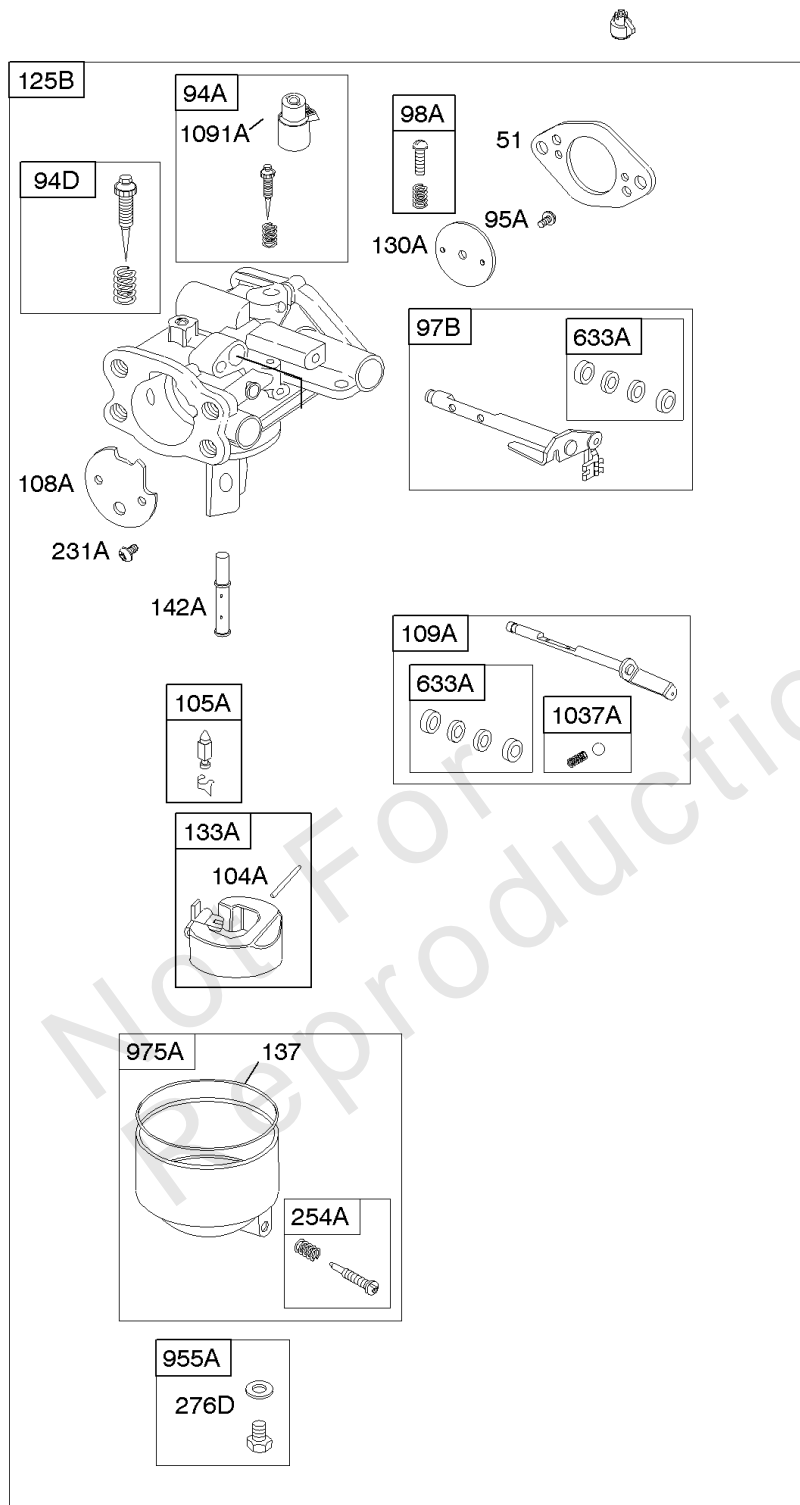
Carburetor #1

REF NO	PART NO	QTY	DESCRIPTION
51	691694		GASKET, Intake -(Manifold/Carburetor Spacer)
72	806480		TUBE, JET
94	808258		VALVE, Idle Mixture -Used Before Code Date 96010800
94B	808374		KIT, Idle Mixture -Used After Code Date 96010700
95	690728		SCREW -(Throttle Valve)
97A	808375		SHAFT, Throttle
98	807705		KIT, Idle Speed -(Idle Speed)
104	690739		PIN, Float Hinge
105	807706		VALVE, Float Needle
108	690729		VALVE, Choke
109	807711		SHAFT, Choke
117C	806471		JET-MAIN -(Standard) -Used After Code Date 98093000
117C	691554		JET, Main -(Standard) -Used Before Code Date 98100100
118B	809693		JET, Main -(High Altitude)
125A	808725		CARBURETOR
127	690731		PLUG, Welch -(6.9mm Diameter)
127A	690730		PLUG, Welch -(9mm Diameter)
130B	806470		VALVE, Throttle -Used After Code Date 98062600
130B	690732		VALVE, Throttle -Used Before Code Date 98062700
133	807710		FLOAT, Carburetor
137	806481		GASKET, Float Bowl
142B	691555		NOZZLE, Carburetor -(Standard)
147	807714		PLUG, Carburetor -(Low Speed)
231	690728		SCREW -(Choke Valve) (M3x4mm)
254	807713		DRAIN, Carburetor Bowl
276B	806476		WASHER, Sealing -(Fuel Solenoid)
276D	692343		WASHER, Sealing -(Float Bowl)
276C	806477		WASHER, Sealing -(Pilot Jet)
601	691638		CLAMP, Hose -(Vent Tube) (Fuel Line)
601	791850		CLAMP, Hose -(Green)
601	841597		CLAMP, Hose -(Oil Hose) (Black/Grey)
601	841859		CLAMP, Hose -(Silver)
601	691038		CLAMP, Hose -(Black)



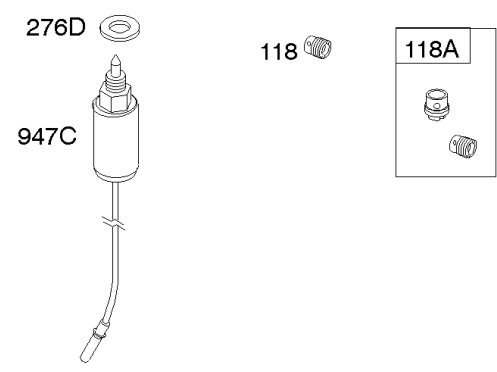
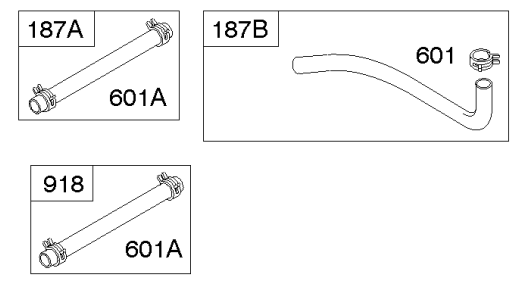
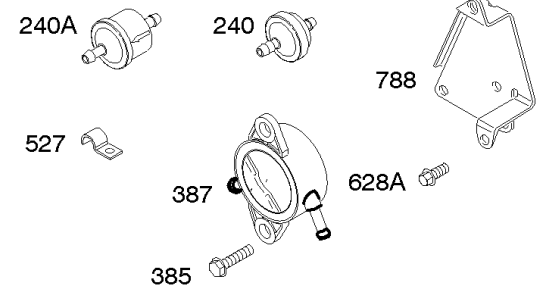
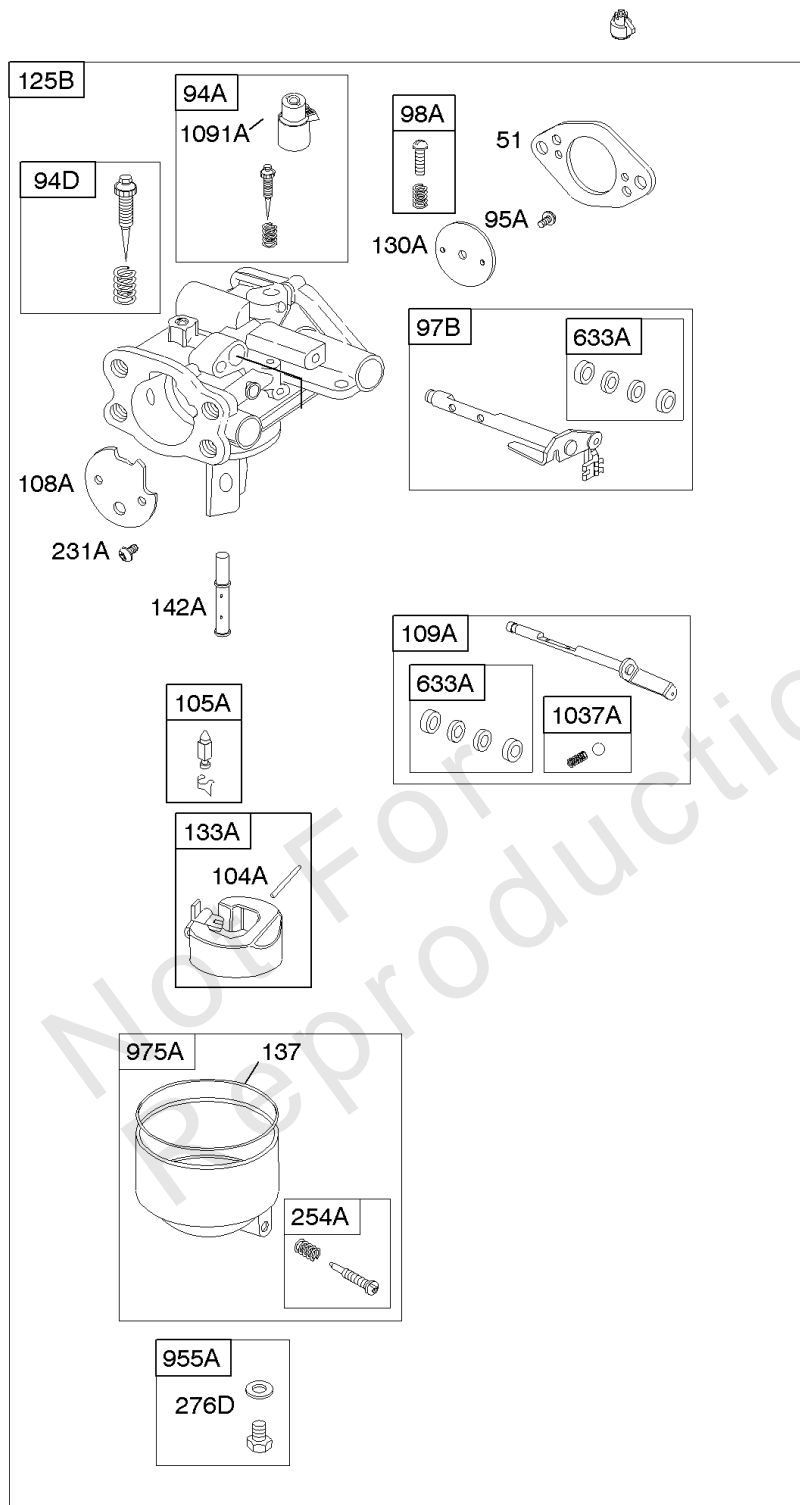
Carburetor #1

REF NO	PART NO	QTY	DESCRIPTION
601	691522		CLAMP, Hose -(Black)
633	690738		SEAL, Choke/Throttle Shaft
637	690735		WASHER -(Throttle Shaft)
668B	690737		BUSHING, Choke Shaft
729	805827		CLIP, Wire -(Black)(Spring Steel)
742	805578		RETAINER, E Ring -(Choke Shaft)
807	690733		SPACER -(Throttle)
947	806472		SOLENOID, Fuel -Used After Code Date 98093000
947A	690924		SOLENOID, Fuel -Used Before Code Date 98100100
955	691511		PLUG, Carburetor
975	807715		BOWL, Float
987	691548		SEAL, Choke/Throttle Shaft
1011	692929		TUBE-VENT -(Cut To Required Length)
1037	807717		BALL, Choke Locator
1051	690736		RING, Retaining -(Throttle Shaft)
1091	691515		CAP, Limiter



Carburetor #2

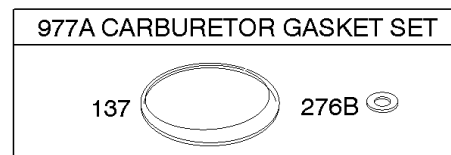
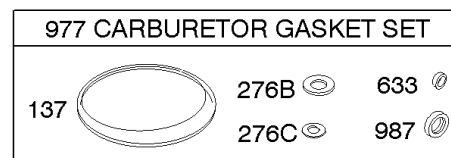
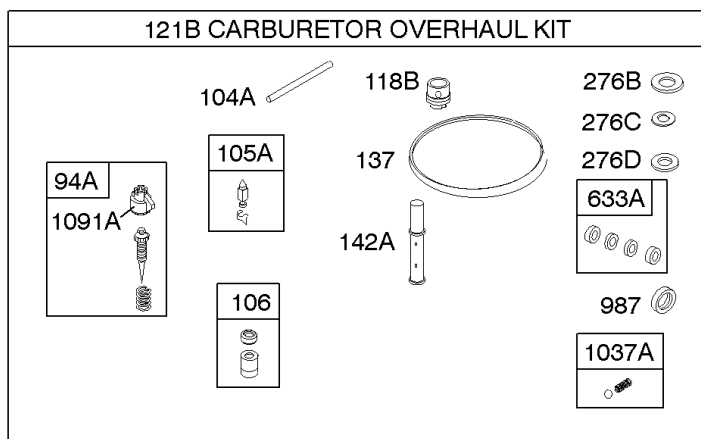
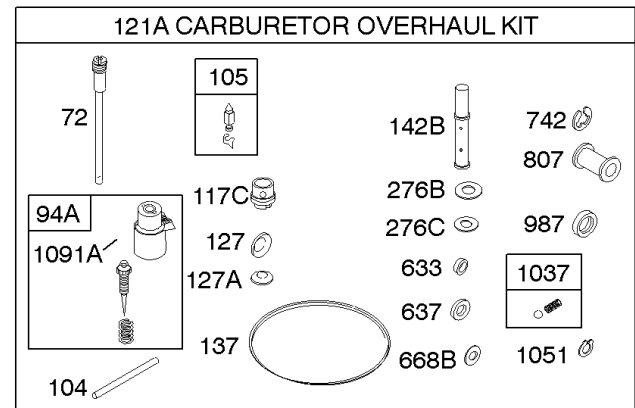
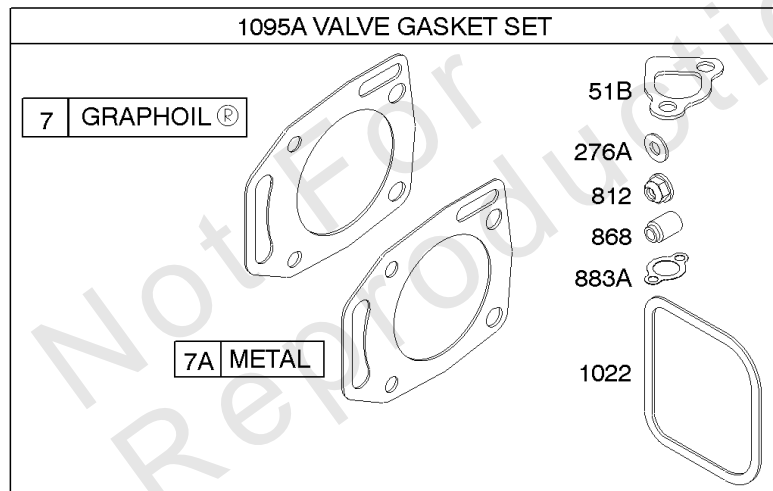
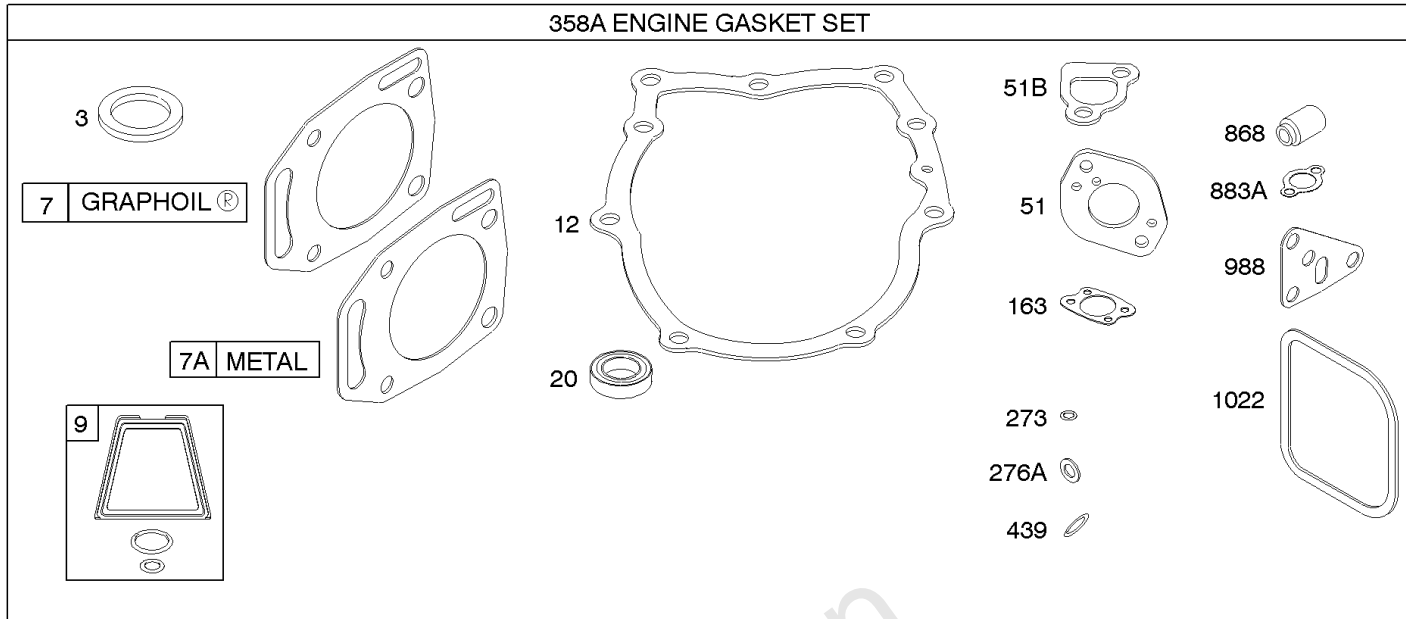
REF NO	PART NO	QTY	DESCRIPTION
51	691694		GASKET, Intake -(Manifold/Carburetor Spacer)
94A	808260		KIT, Idle Mixture -Used Before Code Date 95100100
94D	494923		VALVE, Idle Mixture -Used After Code Date 95093000
95A	94466		SCREW -(Throttle Valve)
97B	807909		SHAFT, Throttle
98A	494690		KIT, Idle Speed -(Idle Speed)
104A	231652		PIN-FLOAT HINGE
105A	808023		VALVE, Float Needle
108A	224534		VALVE, Choke
109A	807911		SHAFT, Choke
118	231780		JET, Main -(High Altitude)
118A	807907		JET, Main -(High Altitude)
125B	SEE COMMENT		GASKET, Float Bowl -(Serviced By 808725 Carburetor Only)
130A	224533		VALVE, Throttle
133A	492283		FLOAT, Carburetor
137	806481		GASKET, Float Bowl
142A	231781		NOZZLE, Carburetor -(Standard)
187A	791745		LINE, Fuel -(Cut To Required Length)
187B	399254		LINE, Fuel -(Molded)
231A	94457		SCREW -(Choke Valve) (M2.6x4mm)
240	394358S		FILTER, Fuel
240A	84001895		FILTER, Fuel
254A	492274		DRAIN, Carburetor Bowl
276D	692343		WASHER, Sealing -(Float Bowl)
385	807084		SCREW -(Fuel Pump)
387	808656		PUMP, Fuel
527	690423		CLAMP, Tube
601	791850		CLAMP, Hose -(Green)
601	841597		CLAMP, Hose -(Oil Hose) (Black/Grey)
601	841859		CLAMP, Hose -(Silver)
601	691522		CLAMP, Hose -(Black)
601	691638		CLAMP, Hose -(Vent Tube) (Fuel Line)
601	691038		CLAMP, Hose -(Black)
628A	806660		SCREW -(Fuel Pump Bracket)
633A	808022		SEAL, Choke/Throttle Shaft
788	691559		BRACKET, Fuel Pump



Carburetor #2

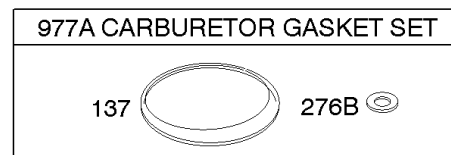
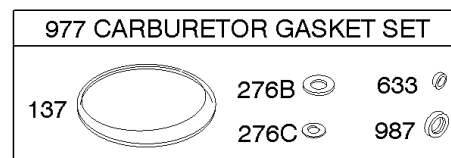
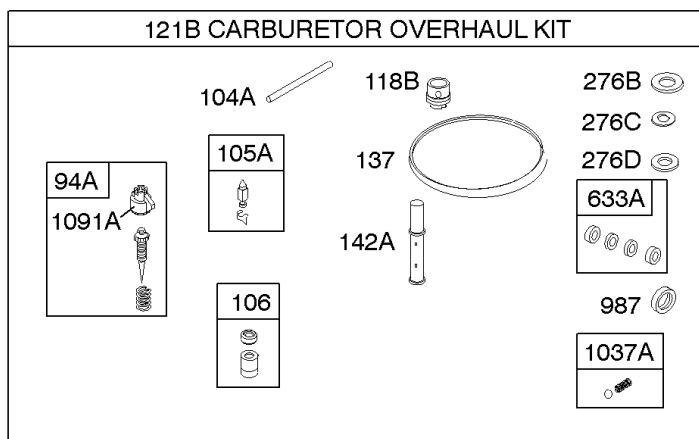
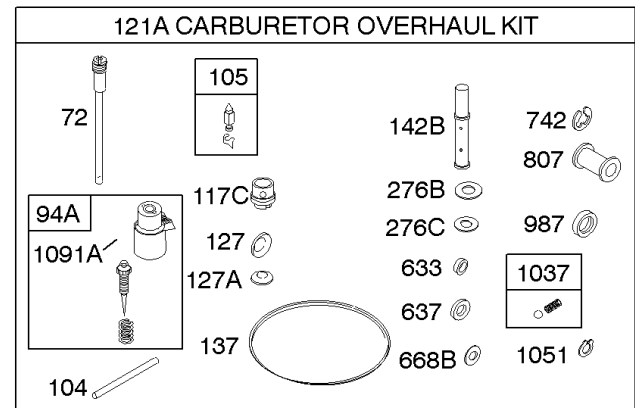
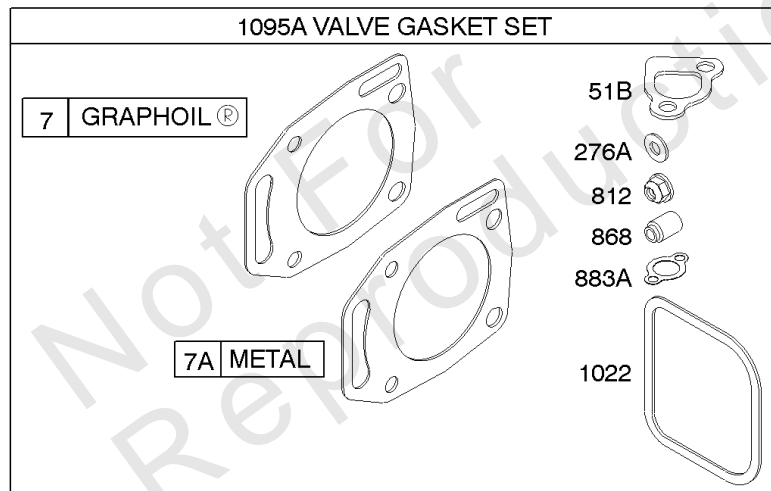
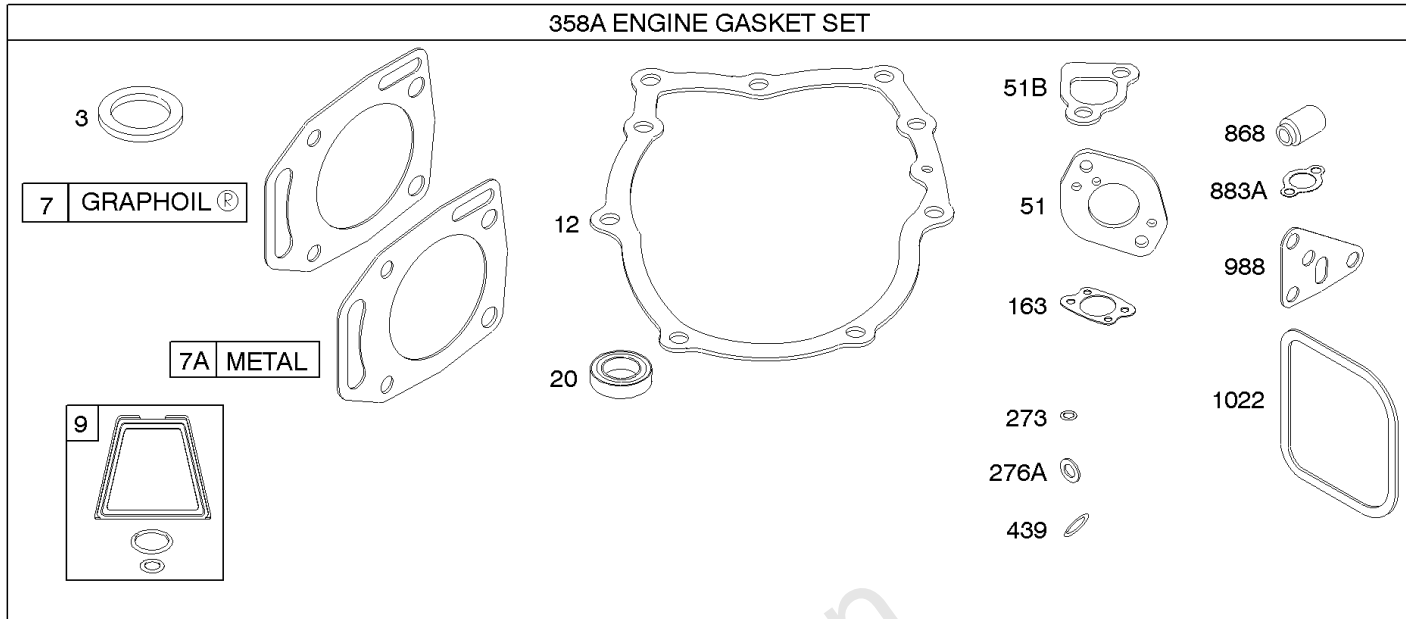
REF NO	PART NO	QTY	DESCRIPTION
918	393815		HOSE, Vacuum -(Cylinder To Impulse Pump)(Cut To Required Length)
947C	494312		SOLENOID, Fuel
955A	807914		PLUG, Carburetor
975A	807913		BOWL, Float
1037A	807915		BALL, Choke Locator
1091A	806054		CAP, Limiter

Not For Reproduction



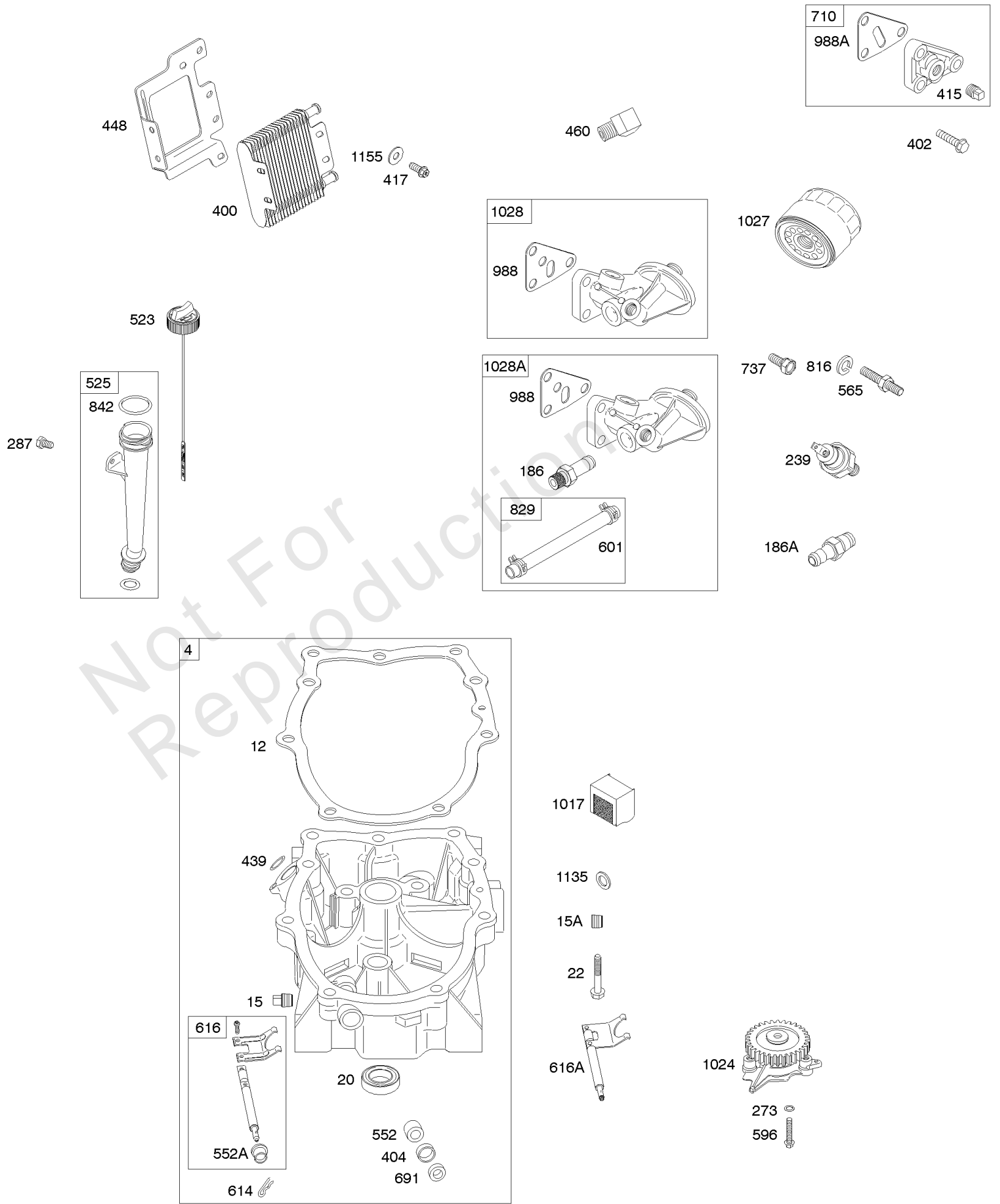
Carburetor Overhaul Kits/Sets, Engine Gasket Set, Valve Gasket Set

REF NO	PART NO	QTY	DESCRIPTION
3	805101S		SEAL, Oil -(Magneto Side)
7	690888		GASKET, Cylinder Head -(Graphoil) -Used After Code Date 96033100
7A	805653S		GASKET, Cylinder Head -(Metal) -Used Before Code Date 96040100
9	809094		GASKET, Breather
12	846487		GASKET, Crankcase
20	805049S		SEAL, Oil -(PTO Side)
51	691694		GASKET, Intake -(Manifold/Carburetor Spacer)
51B	692035		GASKET, Intake -(Manifold/Heads)
72	806480		TUBE, JET
94A	808260		KIT, Idle Mixture -Used Before Code Date 95100100
104	690739		PIN, Float Hinge
104A	231652		PIN-FLOAT HINGE
105	807706		VALVE, Float Needle
105A	808023		VALVE, Float Needle
106	-----		Seat-Inlet -(Sold In Kit Only)
117C	806471		JET-MAIN -(Standard) -Used After Code Date 98093000
117C	691554		JET, Main -(Standard) -Used Before Code Date 98100100
118B	809693		JET, Main -(High Altitude)
121A	842886		KIT, Carburetor Overhaul -Used After Code Date 98093000
121A	842887		KIT, Carburetor Overhaul -Used Before Code Date 98100100
121B	807917		KIT, Carburetor Overhaul -Used Before Code Date 95100100
121B	808263		KIT, Carburetor Overhaul -Used After Code Date 95093000
127	690731		PLUG, Welch -(6.9mm Diameter)
127A	690730		PLUG, Welch -(9mm Diameter)
137	806481		GASKET, Float Bowl
142A	231781		NOZZLE, Carburetor -(Standard)
142B	691555		NOZZLE, Carburetor -(Standard)
163	692081		GASKET, Air Cleaner -(Used With Metal Air Cleaner Base)
273	690681		SEAL, O-Ring -(Oil Pump)
276A	691766		WASHER, Sealing -(Rocker Cover) -Used Before Code Date 01120300
276A	807085		WASHER, Sealing -(Rocker Cover) -Used After Code Date 01120200



Carburetor Overhaul Kits/Sets, Engine Gasket Set, Valve Gasket Set

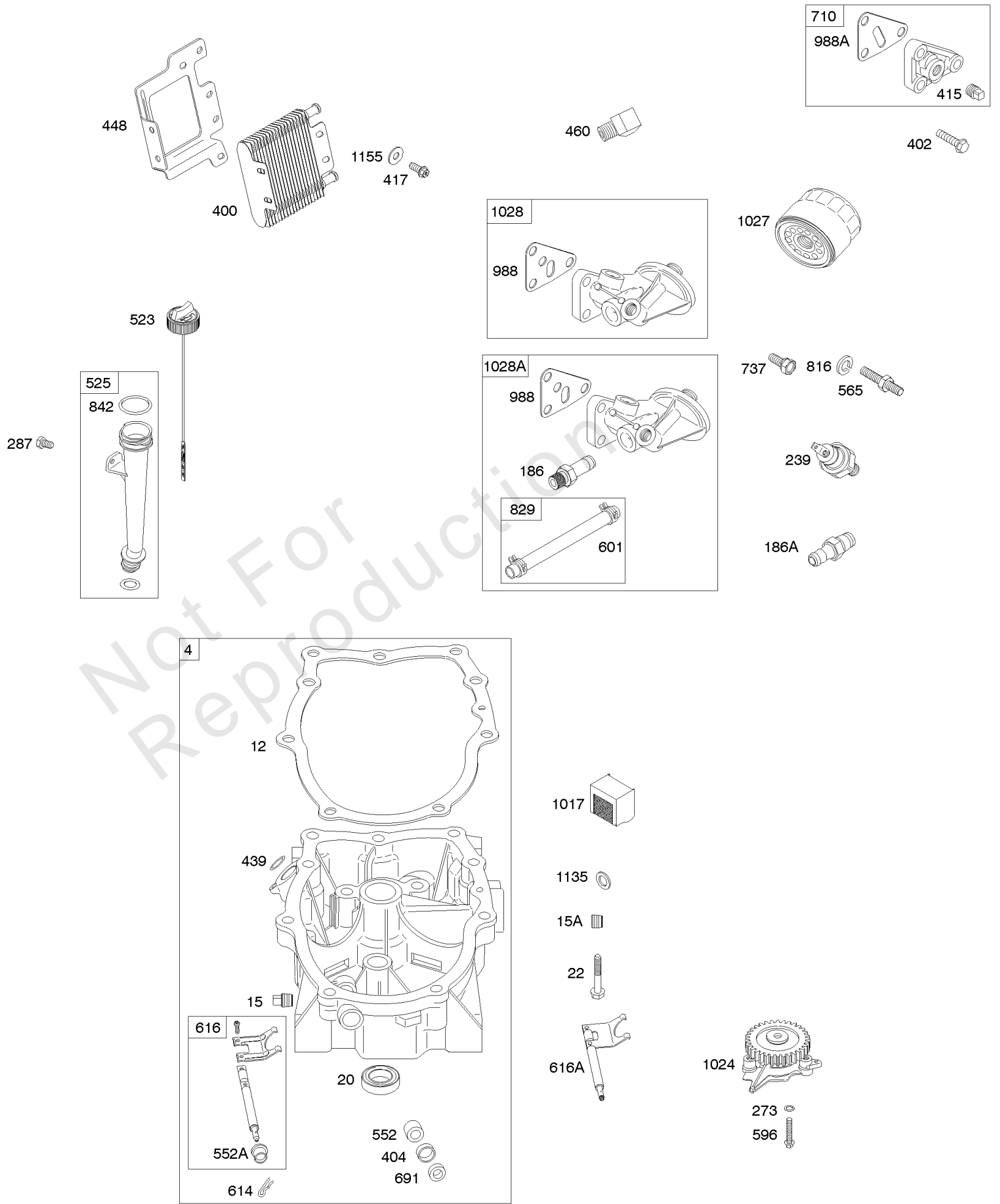
REF NO	PART NO	QTY	DESCRIPTION
276B	806476		WASHER, Sealing -(Fuel Solenoid)
276C	806477		WASHER, Sealing -(Pilot Jet)
276D	692343		WASHER, Sealing -(Float Bowl)
358A	808389		GASKET SET, Engine -Used Before Code Date 01120300
358A	841188		GASKET SET, Engine -Used After Code Date 01120200
439	692154		O-RING, Oil Gallery -(Crankcase Cover/Sump) or (Cylinder Assembly) -Used After Code Date 97043000
439	805198		SEAL, O-Ring -(Crankcase Cover/Sump) or (Cylinder Assembly) -Used Before Code Date 97050100
633	690738		SEAL, Choke/Throttle Shaft
633A	808022		SEAL, Choke/Throttle Shaft
637	690735		WASHER -(Throttle Shaft)
668B	690737		BUSHING, Choke Shaft
742	805578		RETAINER, E Ring -(Choke Shaft)
807	690733		SPACER -(Throttle)
812	692055		NUT -(Rocker Cover) -Used Before Code Date 01120300
868	691963		SEAL, Valve
883A	691613		GASKET, Exhaust
977	808325		SET, Carburetor Gasket -Used After Code Date 95093000
977A	807916		SET, Carburetor Gasket -Used Before Code Date 95100100
987	691548		SEAL, Choke/Throttle Shaft
988	692063		GASKET, Oil Adapter
1022	806039S		GASKET, Rocker Cover
1037	807717		BALL, Choke Locator
1037A	807915		BALL, Choke Locator
1051	690736		RING, Retaining -(Throttle Shaft)
1091A	806054		CAP, Limiter
1095A	808391		GASKET SET, Valve



Not For Reproduction

Crankcase Cover/Sump, Lubrication

REF NO	PART NO	QTY	DESCRIPTION
4	808846		SUMP, Engine
12	846487		GASKET, Crankcase
15	690946		PLUG, Oil Drain -(Square Head)
15A	691680		PLUG, Oil Drain -(Square Socket)
20	805049S		SEAL, Oil -(PTO Side)
22	807362		SCREW -(Crankcase Cover/Sump)
186	693184		CONNECTOR, Hose
186A	691764		CONNECTOR-HOSE -(Pulse Line)
239	690233		SWITCH, Oil Pressure
273	690681		SEAL, O-Ring -(Oil Pump)
287	807084		SCREW -(Dipstick Tube)
402	690679		SCREW -(Oil Filter Cover)
404	690704		WASHER -(Governor Crank) (Crankcase Cover/Sump)
415	690283		PLUG, Oil -(1/8 Standard)
417	810074		SCREW -(Oil Cooler)
439	692154		O-RING, Oil Gallery -(Crankcase Cover/Sump) or (Cylinder Assembly) -Used After Code Date 97043000
439	805198		SEAL, O-Ring -(Crankcase Cover/Sump) or (Cylinder Assembly) -Used Before Code Date 97050100
523	692101		DIPSTICK
525	692093		TUBE, Dipstick
552	690701		BUSHING, Governor Crank
552A	806686		BUSHING, Governor Crank
565	690682		STUD -(Oil Filter Adapter)
596	691492		SCREW -(Oil Pump)
601	691522		CLAMP, Hose -(Black)
601	691638		CLAMP, Hose -(Vent Tube) (Fuel Line)
601	791850		CLAMP, Hose -(Green)
601	841597		CLAMP, Hose -(Oil Hose) (Black/Grey)
601	841859		CLAMP, Hose -(Silver)
601	691038		CLAMP, Hose -(Black)
614	691550		PIN, Cotter
616	806685		CRANK, Governor
616A	690899		CRANK, Governor -Used Before Code Date 99072100
691	690680		SEAL, Governor Shaft
710	807689		COVER, Oil Filter



Not For Reproduction

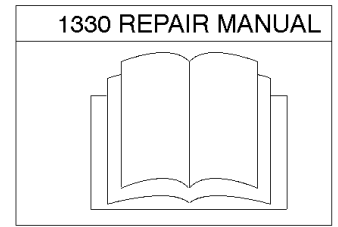
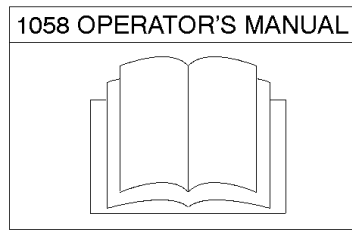
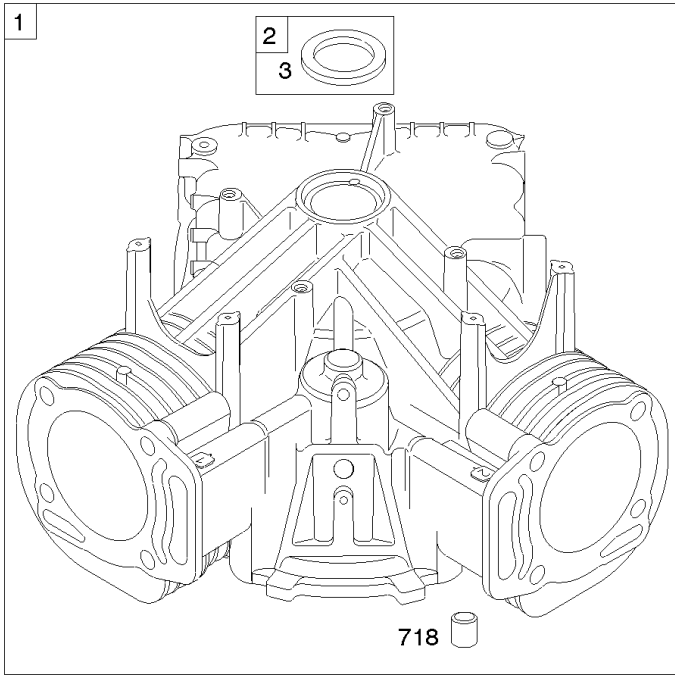
Crankcase Cover/Sump, Lubrication

REF NO	PART NO	QTY	DESCRIPTION
737	690679		SCREW -(Oil Filter Adapter)
816	690706		WASHER -(Oil Filter Adapter)
829	841999		HOSE/CLAMP ASSEMBLY
842	691870		SEAL, O-Ring -(Dipstick Tube)
988	692063		GASKET, Oil Adapter
988A	690687		GASKET, Oil Adapter
1017	690878		SCREEN, Oil Pump
1024	693186		PUMP, Oil
1027	842921		FILTER, Oil
1028	808235		ADAPTER, Oil Filter
1135	806497		WASHER -(Crankcase Cover/Sump)

Not For Reproduction

Cylinder Heads, Rocker Covers

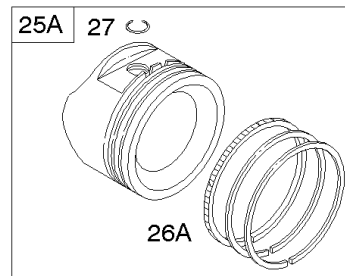
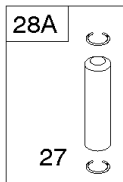
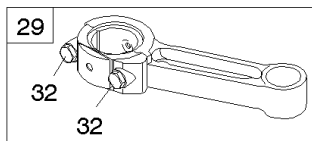
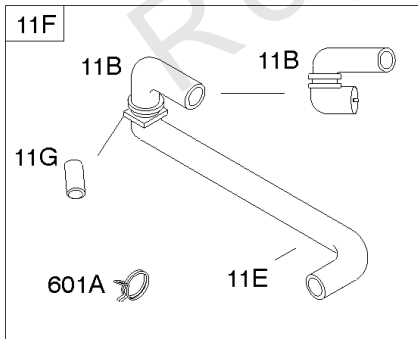
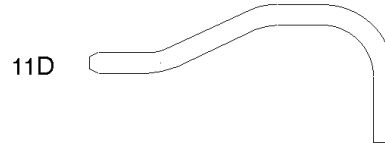
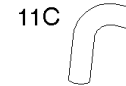
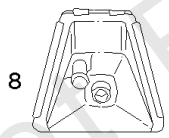
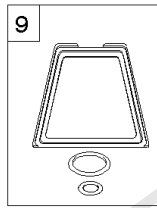
REF NO	PART NO	QTY	DESCRIPTION
5	809185		HEAD, Cylinder -(Cylinder 1)
5A	809186		HEAD, Cylinder -(Cylinder 2)
6	805193		WASHER -(Cylinder Head) -Used Before Code Date 94050100
7	690888		GASKET, Cylinder Head -(Graphoil) -Used After Code Date 96033100
7A	805653S		GASKET, Cylinder Head -(Metal) -Used Before Code Date 96040100
13	692059		SCREW -(Cylinder Head) (86mm)
33	807681		VALVE, Exhaust
34	807680		VALVE, Intake
35	692084		SPRING, Valve -(Intake)
36	692084		SPRING, Valve -(Exhaust)
40	692058		RETAINER, Valve
42	807683		KEEPER, Valve
45	690977		TAPPET, Valve
192	807623		ADJUSTER, Rocker Arm
276A	691766		WASHER, Sealing -(Rocker Cover) -Used Before Code Date 01120300
276A	807085		WASHER, Sealing -(Rocker Cover) -Used After Code Date 01120200
337	491055S		PLUG, Spark
337	84007216	2	PLUG, SPARK -(China Only)
383	19374S		WRENCH, Spark Plug
635	692076		BOOT, Spark Plug
830	809157		STUD, Rocker Arm -(Rocker Arm) -Used After Code Date 01120200
830A	691497		STUD, Rocker Arm -(Rocker Arm) -Used Before Code Date 01120300
868	691963		SEAL, Valve
871	692057		BUSHING, Valve Guide
1022	806039S		GASKET, Rocker Cover
1023A	691558		COVER, Rocker -(Cylinder 1) (With Fuel Pump)
1023C	690758		COVER, Rocker
1023B	691494		COVER, Rocker
1026	691836		ROD, Push -(Intake)(Steel)
1026	691758		ROD, Push -(Exhaust)(Aluminum)
1029	807323		ARM, Rocker
1030	691496		SUPPORT, Rocker Arm
1031	690693		SHAFT, Rocker Arm
1100	791959		PIVOT, Rocker Arm
1254	807084		SCREW -(Rocker Arm Stud) -Used After Code Date 01120200



1319 WARNING LABEL

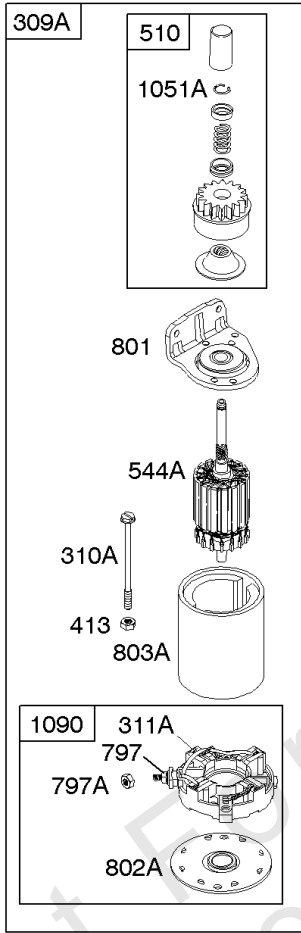
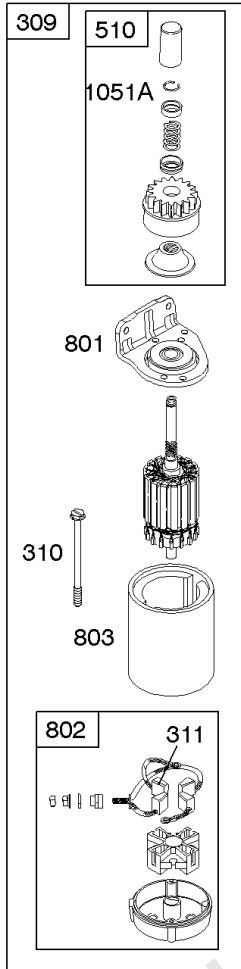
	WARNING
	Read and follow Operating Instructions before running engine.
	Gasoline is flammable. Allow engine to cool at least 2 minutes before refueling.
	Engines emit carbon monoxide, DO NOT run in enclosed area.
	Muffler area temperature may exceed 150°F. Do not touch hot parts.

REQUIRED when replacing parts with warning labels affixed.

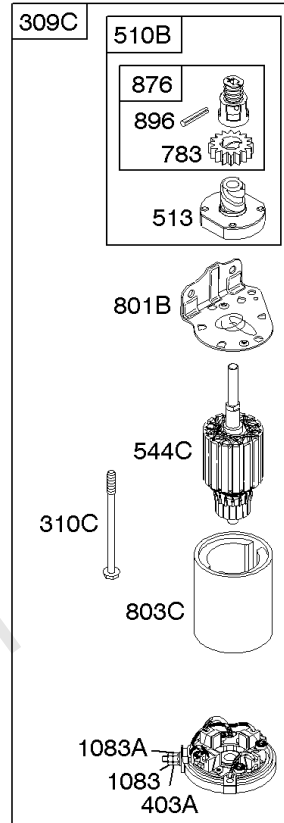
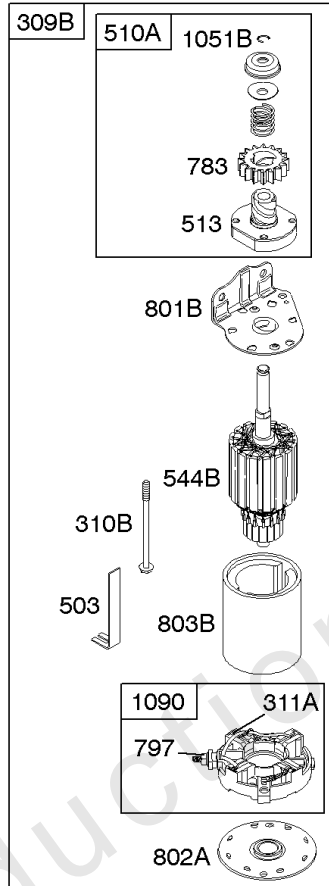


Cylinder, Piston/Rings/Connecting Rod

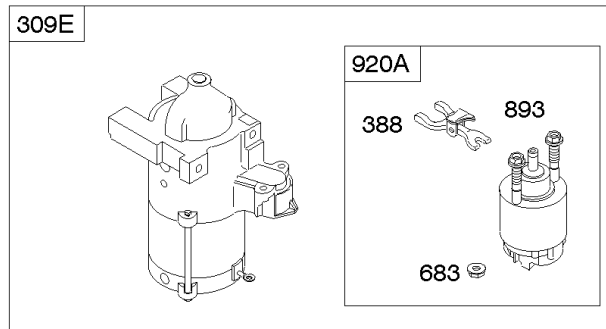
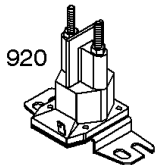
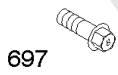
REF NO	PART NO	QTY	DESCRIPTION
1	692545		CYLINDER ASSEMBLY -Used After Code Date 97043000
1	807787		CYLINDER ASSEMBLY -Used Before Code Date 97050100
2	807687		KIT, Bushing/Seal -(Magneto Side) -Used Before Code Date 97050100
2	808534		KIT, Bushing/Seal -(Magneto Side) -Used After Code Date 97043000
3	805101S		SEAL, Oil -(Magneto Side)
8	808988		BREATHER ASSEMBLY
9	809094		GASKET, Breather
10	690751		SCREW -(Breather Assembly)
11	806083S		TUBE, Breather
11G	841022		TUBE, Breather
25A	808337		PISTON ASSEMBLY -(.020 Oversize)
25A	808336		PISTON ASSEMBLY -(.010 Oversize)
25A	808326		PISTON ASSEMBLY -(Standard)
26A	807995		SET, Ring -(.020 Oversize)
26A	807889		SET, Ring -(Standard)
27	690683		LOCK, Piston Pin
28A	807886		PIN, Piston -(Standard)
29	807803		ROD, Connecting -(.020 Undersize)
29	807900S		ROD, Connecting -(Standard)
32	690698		SCREW -(Connecting Rod)
572	690686		BAFFLE, Breather
601	841859		CLAMP, Hose -(Silver)
601	691038		CLAMP, Hose -(Black)
601	691522		CLAMP, Hose -(Black)
601	691638		CLAMP, Hose -(Vent Tube) (Fuel Line)
601	791850		CLAMP, Hose -(Green)
601	841597		CLAMP, Hose -(Oil Hose) (Black/Grey)
718	806469		PIN, Locating
1058	277107		MANUAL, Operator's
1319	794467		LABEL, Warning
1330	272144		MANUAL, Repair



For Replacement Starter
Order Reference 309.

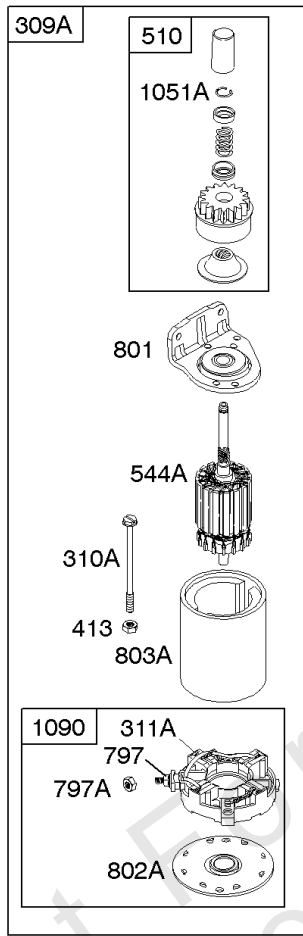
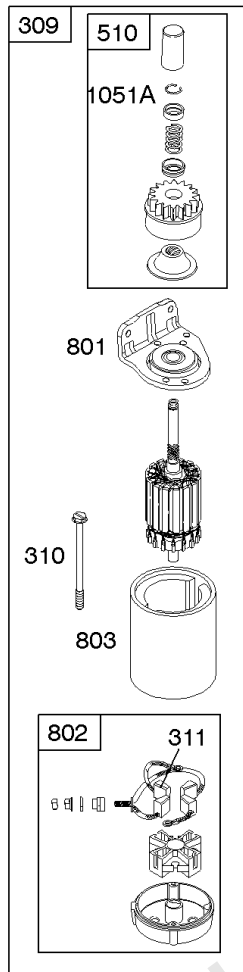


For Replacement Starter
Order Reference 309B.

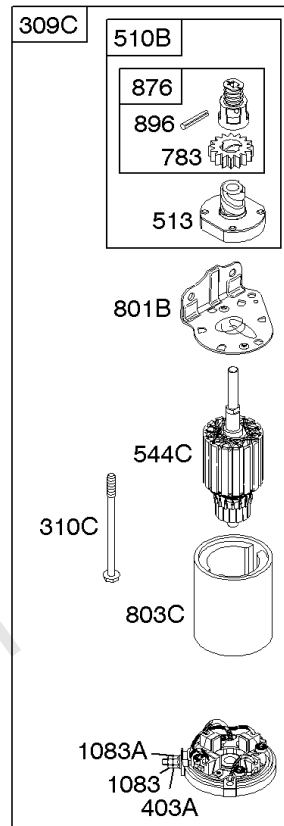
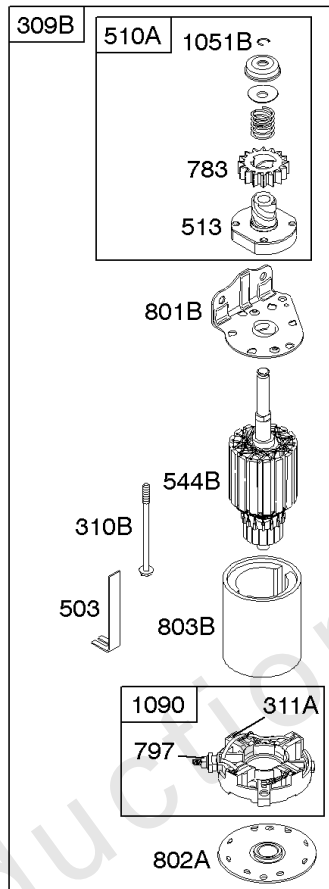


Electric Starters

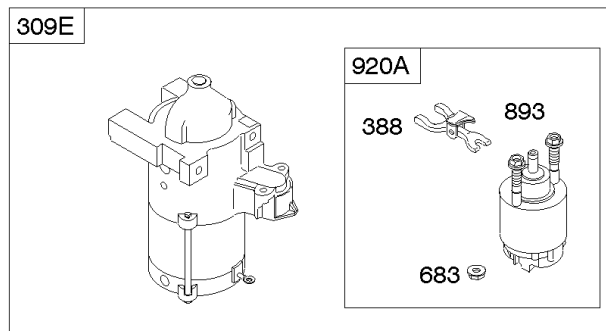
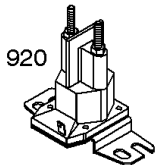
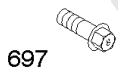
REF NO	PART NO	QTY	DESCRIPTION
309	691564		MOTOR-STARTER -(Steel Ring Gear Only)
309A	SEE COMMENT		GASKET, Float Bowl -(Replacement Starter Motor, Order Reference 309)
309B	499521		MOTOR, Starter -(Services Aluminum Ring Gear Only)
309C	SEE COMMENTS		ARMATURE, Starter -(Replacement Starter Motor, Order Reference 309)
310	496880		SCREW -(Starter Motor) (1/4-20x4.2)
310A	690323		SCREW -(Starter Motor) (#10-24x4.4" Long)
310B	691263		BOLT -(Starter Motor) (#10-24x4.8) (4 3/8 Housing)
310C	692329		BOLT -(Starter Motor) (#10-24x5.4) (4 1/2 And 4 3/8 Housing)
311	496887		SET, Brush
311A	497608		SET, Brush
388	820799		LEVER, Pinion Drive
403A	690288		WASHER -(End Cap)
413	693587		NUT -(Starter Motor)
503	691532		STRAP, Starter
510	496881		DRIVE, Starter
510A	696541		DRIVE, Starter
510B	696540		DRIVE, Starter
513	692024		CLUTCH, Drive
544A	693548		ARMATURE, Starter
544C	490309		ARMATURE, Starter -(4 1/2 And 4 3/8 Housing)
544B	SEE COMMENT		GASKET, Float Bowl -(Serviced By 499521 Starter Motor Only)
683	710081		NUT -(Starter Solenoid)
697	692062		SCREW -(Drive Cap)
783	695708		GEAR-PINION -(Services Aluminum Ring Gear Only)
797	693167		NUT -(Brush Retainer)
797A	691029		NUT -(Brush Retainer)
801	808778		CAP, Drive
801B	691283		CAP, Drive
802	496813		RETAINER, Brush
802A	691286		CAP, End
803	690854		HOUSING, Starter -(Air Cleaner Base)
803A	693547		HOUSING, Starter
803B	SEE COMMENT		GASKET, Float Bowl -(Serviced By 499521 Starter Motor Only)
803C	398892		HOUSING, Starter -(4 9/16 Housing)
803C	494205		HOUSING, Starter -(4 3/8 Housing)
876	696539		KIT, Pinion Spring



For Replacement Starter
Order Reference 309.



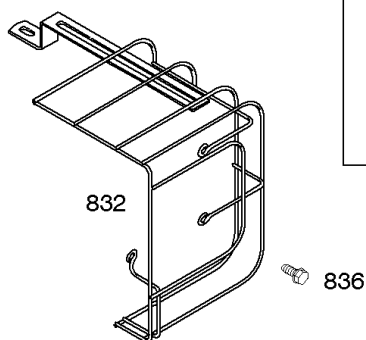
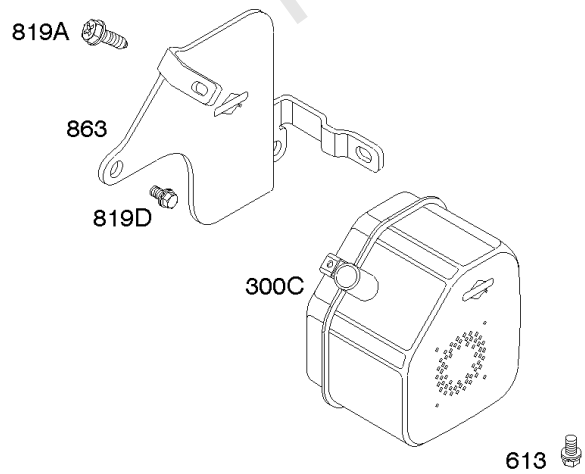
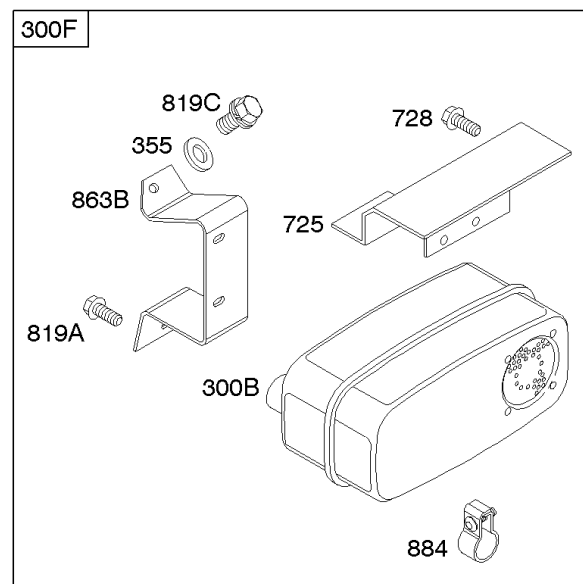
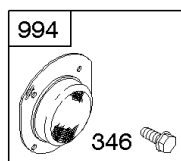
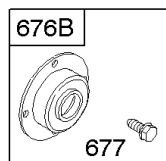
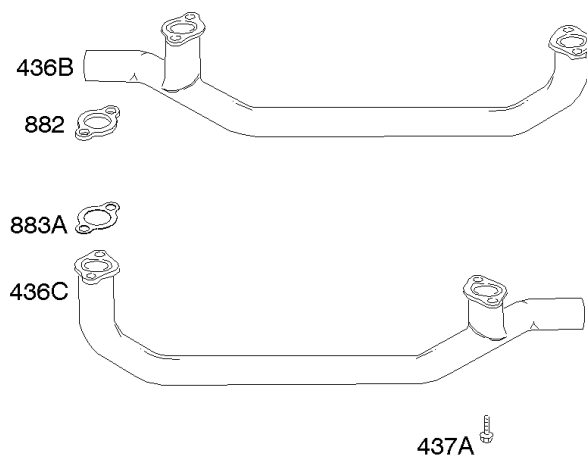
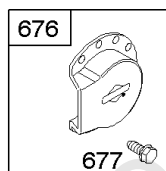
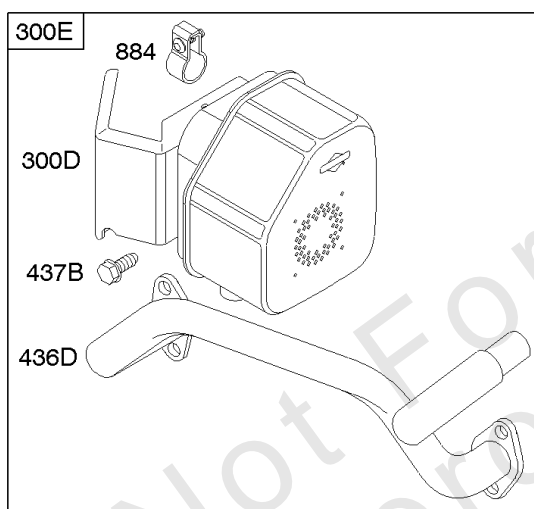
For Replacement Starter
Order Reference 309B.



Electric Starters

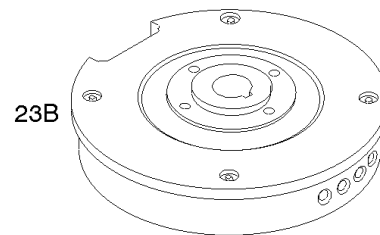
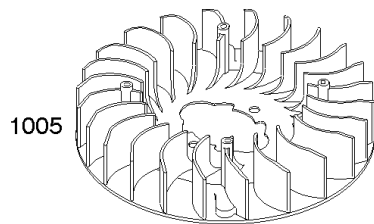
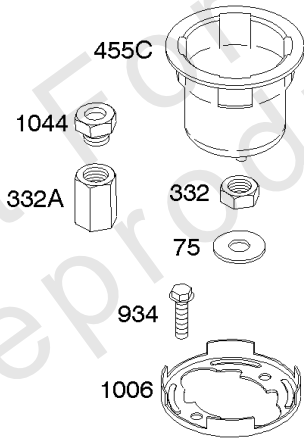
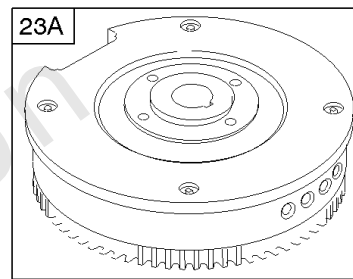
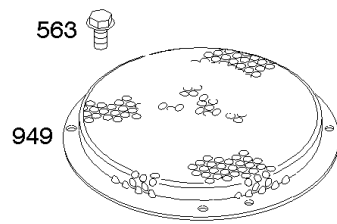
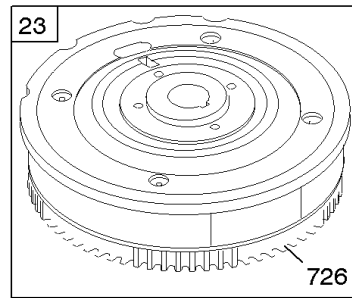
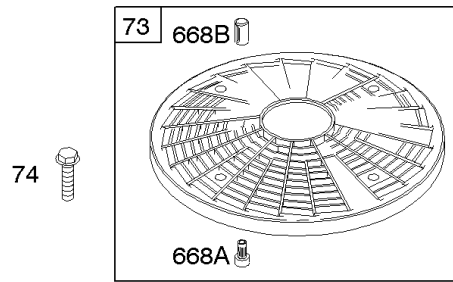
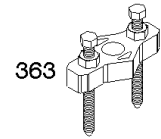
REF NO	PART NO	QTY	DESCRIPTION
893	710068		LOCKNUT -(Starter Solenoid)
896	691641		PIN, Drive Retainer
920	691656		SOLENOID, Starter
920A	825418		SOLENOID, Starter
1009	806474		SCREW -(Starter Motor)
1051A	691124		RING, Retaining -(Starter Drive)
1051B	691265		RING, Retaining -(Starter Drive)
1083	691626		NUT -(End Cap)
1083A	690958		NUT -(End Cap)
1090	691293		RETAINER, Brush

Not For Reproduction



Exhaust Manifolds, Mufflers

REF NO	PART NO	QTY	DESCRIPTION
300B	498984S		MUFFLER
300F	807752		MUFFLER
300D	807953		MUFFLER
300E	807969		MUFFLER
346	690661		SCREW -(Spark Arrestor)
355	842122		WASHER -(Muffler Bracket)
436D	805778		MANIFOLD, Exhaust -(Wide Area Walker)
437A	691902		SCREW -(Exhaust Manifold) (M8x20mm Long)
437B	692062		SCREW -(Exhaust Manifold) (M8X18mm Long)
613	690297		SCREW -(Muffler)
676	393761		DEFLECTOR, Muffler -(Side Outlet)
676B	396903		DEFLECTOR, Muffler -(Direct Out)
677	690661		SCREW -(Muffler Deflector)
725	806102		SHIELD, Heat
728	690297		SCREW -(Heat Shield)
819A	692067		SCREW -(Muffler Bracket) (M6x12mm Long)
819D	692056		SCREW -(Muffler Bracket) (M8x14mm)
819C	692537		SCREW -(Muffler Bracket) (M6X16mm)
836	691982		SCREW -(Muffler Guard)
863	691513		BRACKET, Muffler
863B	806759		BRACKET, Muffler
882	692074		FLANGE, Exhaust
883A	691613		GASKET, Exhaust
994	392390		ARRESTOR, Spark



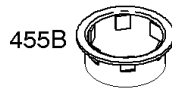
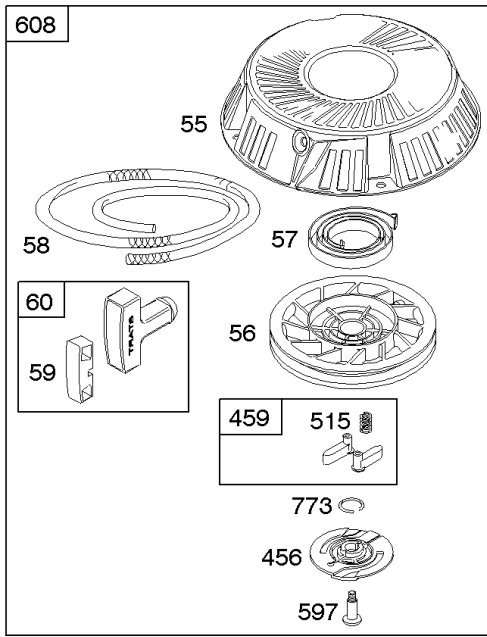
Flywheels, Fans, Rotating Screens

REF NO	PART NO	QTY	DESCRIPTION
23	808768		FLYWHEEL -(Steel Ring Gear)
23A	690921		FLYWHEEL -(Aluminum Ring Gear)
73	494439		SCREEN, Rotating
74	691647		SCREW -(Rotating Screen)
75	691490		WASHER -(Flywheel) -Used Before Code Date 95050100
332	690887		NUT -(Flywheel)
332A	805744		NUT -(Flywheel)
363	19203		PULLER, Flywheel
455C	690864		CUP, Flywheel
563	841233		SCREW -(Debris Screen Guard)
668A	691500		SPACER -(Rotating Screen)
668B	690737		BUSHING, Choke Shaft
726	SEE COMMENT		GASKET, Float Bowl -(Steel)(See Reference 23 for Service)
934	691058		SCREW -(Fan Retainer)
949	808030		GUARD, Debris Screen
1005	690911		FAN, Flywheel -Used Before Code Date 00121300
1005	809441		FAN, Flywheel -Used After Code Date 00121200
1006	690452		RETAINER, Fan
1044	805756		SCREW -(Flywheel)

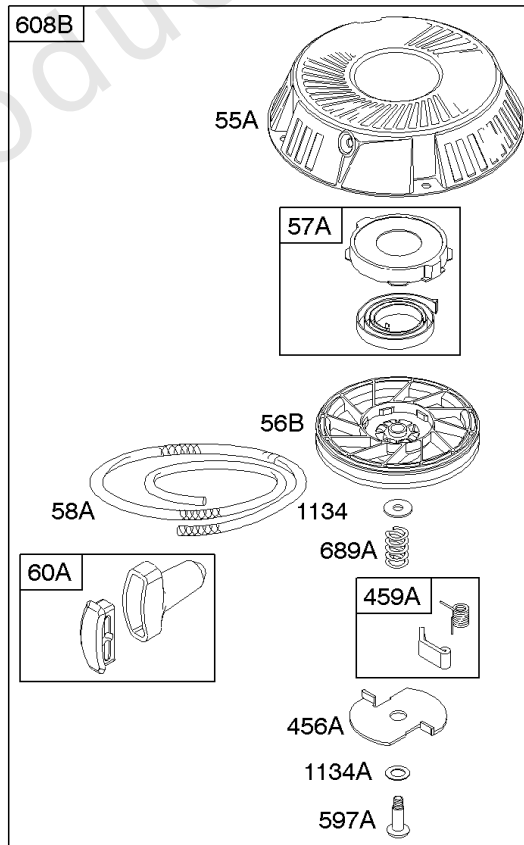
Replacement Engine - US & Canada

REF NO	PART NO	QTY	DESCRIPTION
	3567773034	1	Replacement Engine
	496241	1	Replacement Short Block
	-----		Top No-Load Speed: 3400 -Trim: ALL
	-----		Service Note: Transfer Blower Housing, Flywheel and Booster Fan Group to replacement engine. Transfer Electric Starter if original Flywheel is equipped with an aluminum ring gear .
	-----		Service Note: If the original engine is equipped with a Six Pin Wiring Harness transfer to the replacement engine.
	-----		Service Note: Transfer the Muffler and/or Spark Arrester Assembly from the original engine if suitable for additional service, or add new parts as required. In some cases it maybe necessary to transfer the Oil Filter Adapter to the replacement engine.

Not For Reproduction



Not For
Reproduction



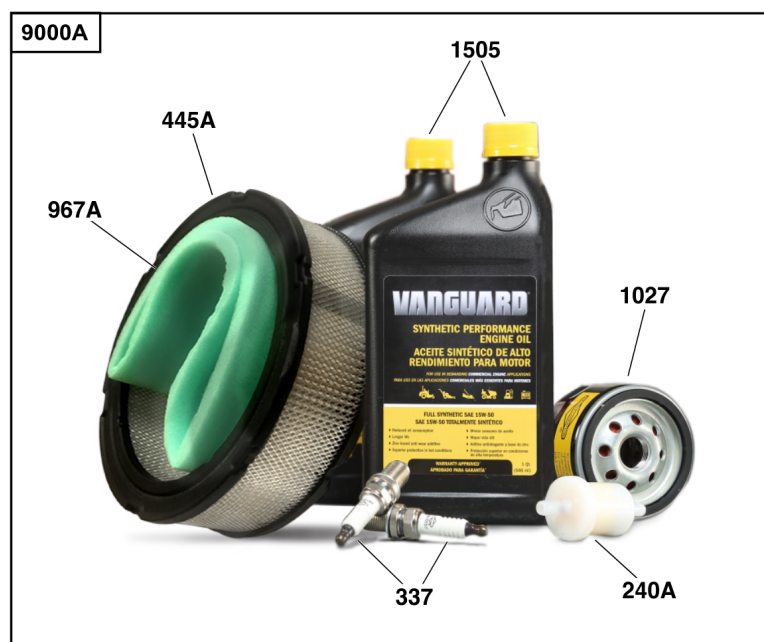
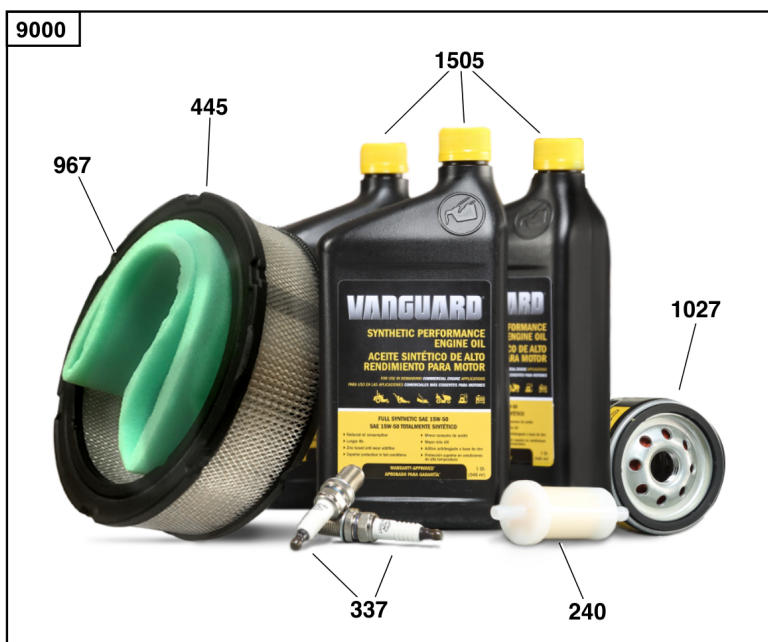
Rewind Starters

REF NO	PART NO	QTY	DESCRIPTION
55	691568		HOUSING, Rewind Starter
55A	492193		HOUSING, Rewind Starter
56	692085		PULLEY, Rope Starter
56B	281235		PULLEY, Rope Starter
57	692086		SPRING, Rewind Starter
57A	492194		SPRING, Rewind Starter
58	66574		ROPE, Starter -(Cut To Required Length)
58A	695002		ROPE, Starter -(Cut To Required Length)
59	805957		INSERT, Grip
60	808167		GRIP, Starter Rope
60A	490652		GRIP-STARTER ROPE
65	691982		SCREW -(Rewind Starter)
318	841233		SCREW -(Mounting Bracket)
455B	807881		CUP, Flywheel
456	691529		PLATE, Pawl Friction
456A	224228		PLATE, Pawl Friction
459	808166		PAWL, Ratchet
459A	492431		PAWL, Ratchet
493	691503		BRACKET, Mounting
515	691528		SPRING, Pawl
597	690876		SCREW -(Pawl Friction Plate)
597A	94463		SCREW -(Pawl Friction Plate)
608	692102		STARTER, Rewind
608B	494926		STARTER, Rewind -(Eaton)
689A	262564		SPRING, Friction
773	690875		RETAINER -(Pawl Friction Plate)
1134	94464		WASHER -(Pawl Friction Plate) (Steel)
1134A	94462		WASHER -(Pawl Friction Plate) (Nylon)



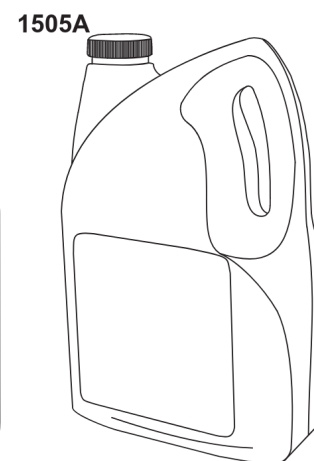
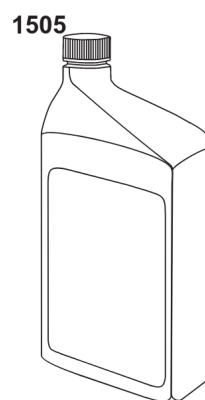
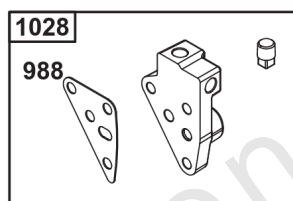
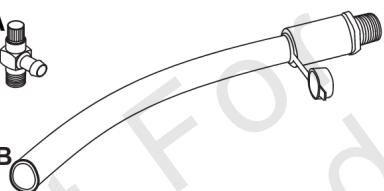
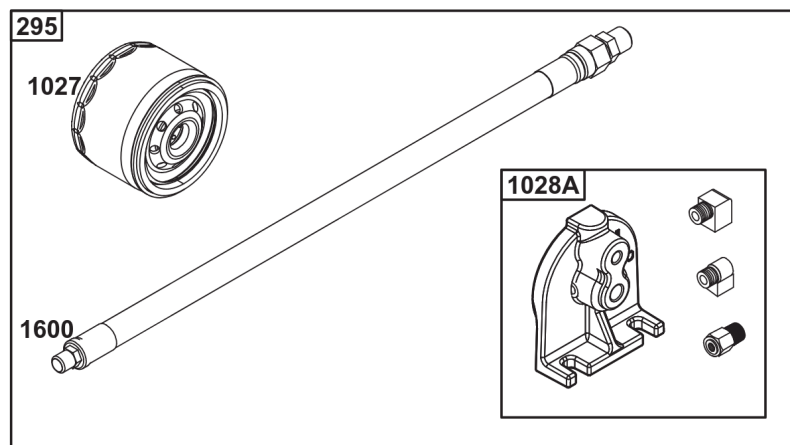
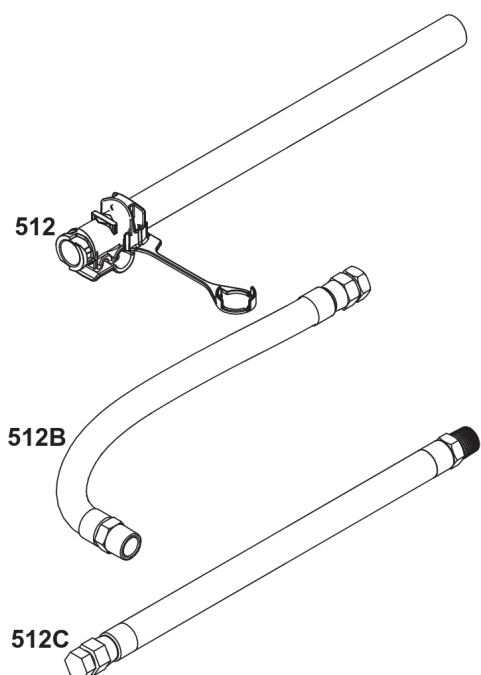
Model 29, 30, 35 & 38 Engine Accessories Catalog

Not For
Reproduction



Maintenance Kits

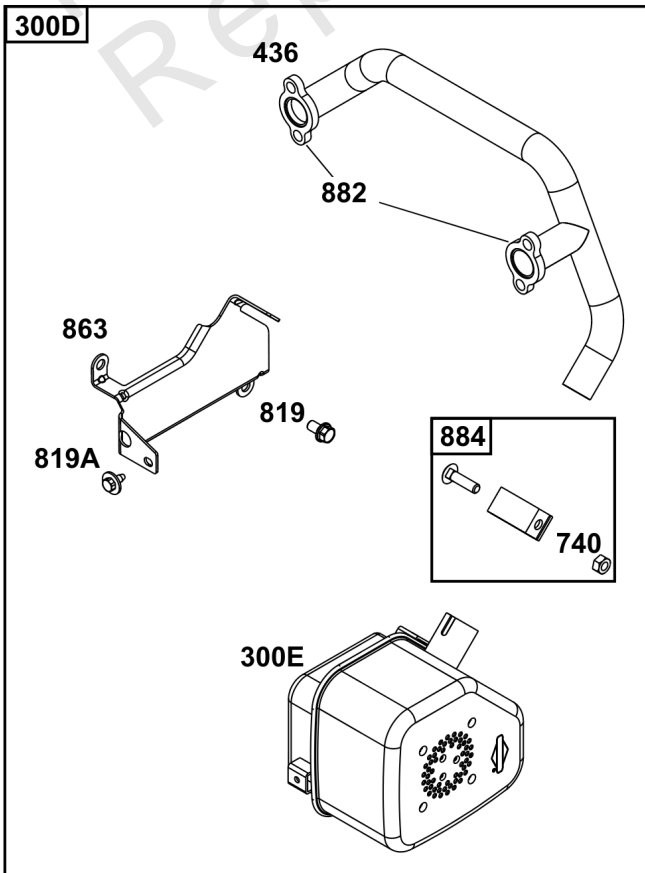
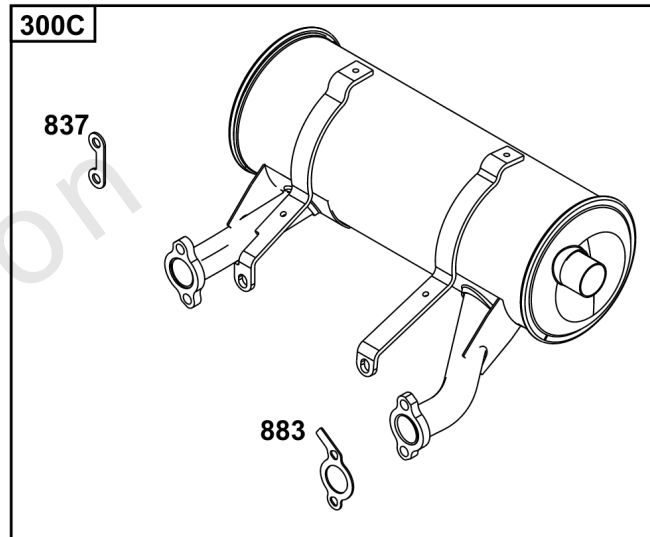
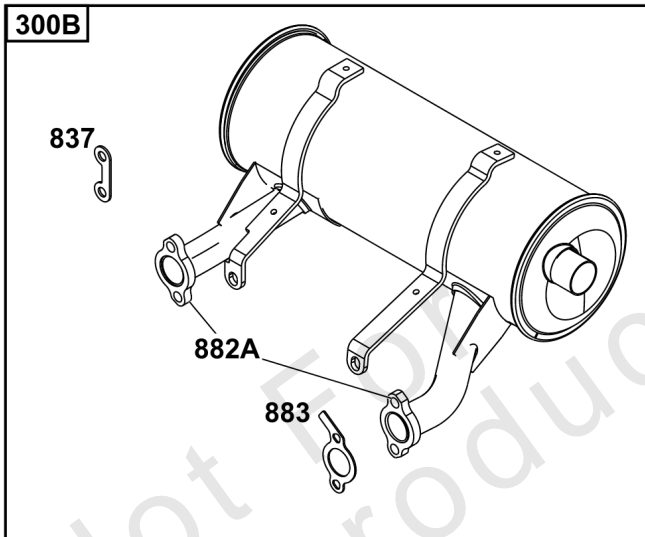
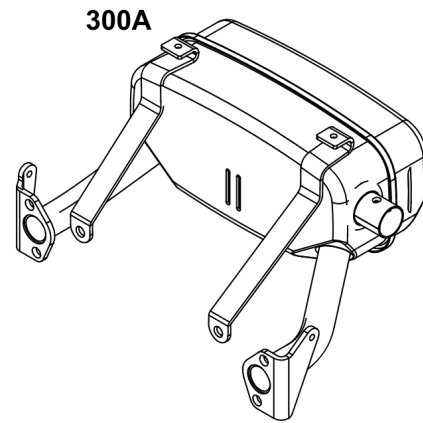
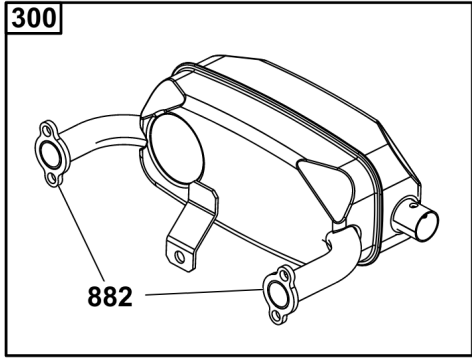
REF NO	PART NO	QTY	DESCRIPTION
9000	84004936		KIT, Maintenance -(Non-Oil Guard™ Engines) (20 - 23 HP)
9000A	84004937		KIT, Maintenance -(Non-Oil Guard™ Engines) (12.5 - 18 HP)
9000B	84002315		KIT, Maintenance -(Non-Oil Guard™ Engines)
240	845125	1	FILTER, Fuel
240A	84001895	1	FILTER, Fuel
337	491055S	2	PLUG, Spark
337	84007216	2	PLUG, SPARK -(China Only)
445	692519	1	FILTER, A/C Cartridge -"Professional / PXi" & "Commercial / CXi".
445A	394018S	1	FILTER, A/C Cartridge -"Professional / PXi" & "Commercial / CXi".
445B	841497	1	FILTER, A/C Cartridge -"Professional / PXi" & "Commercial / CXi".
967	692520	1	FILTER, Pre Cleaner
967A	272490S	1	FILTER, Pre Cleaner
1027	842921	1	FILTER, Oil -(Vanguard®)
1505	100169		OIL-1QT VANGUARD (CASE) -(1 qt. Bottle)



Not For
Reproduction

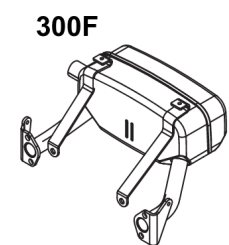
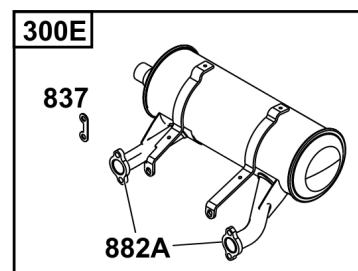
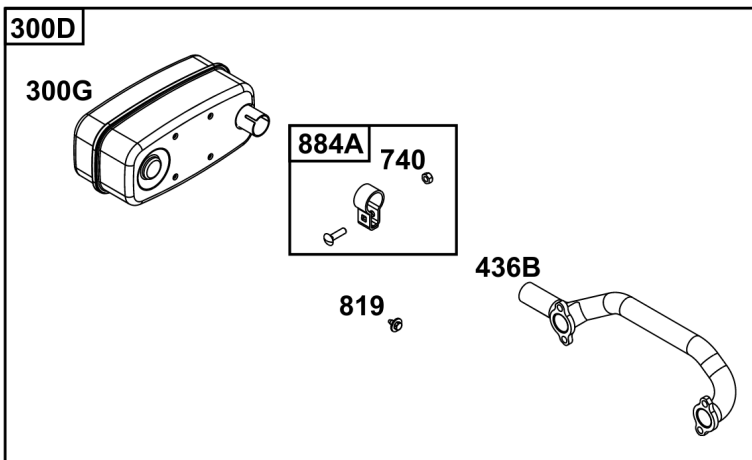
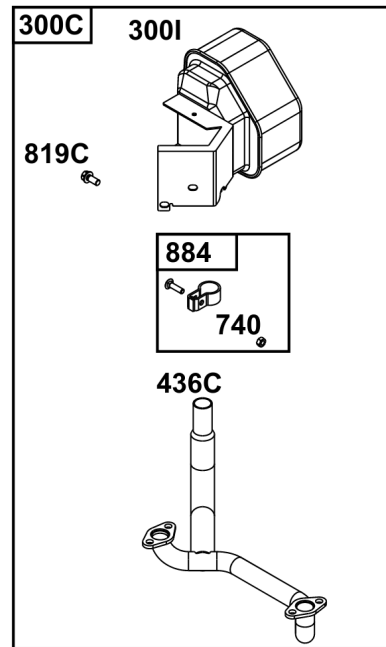
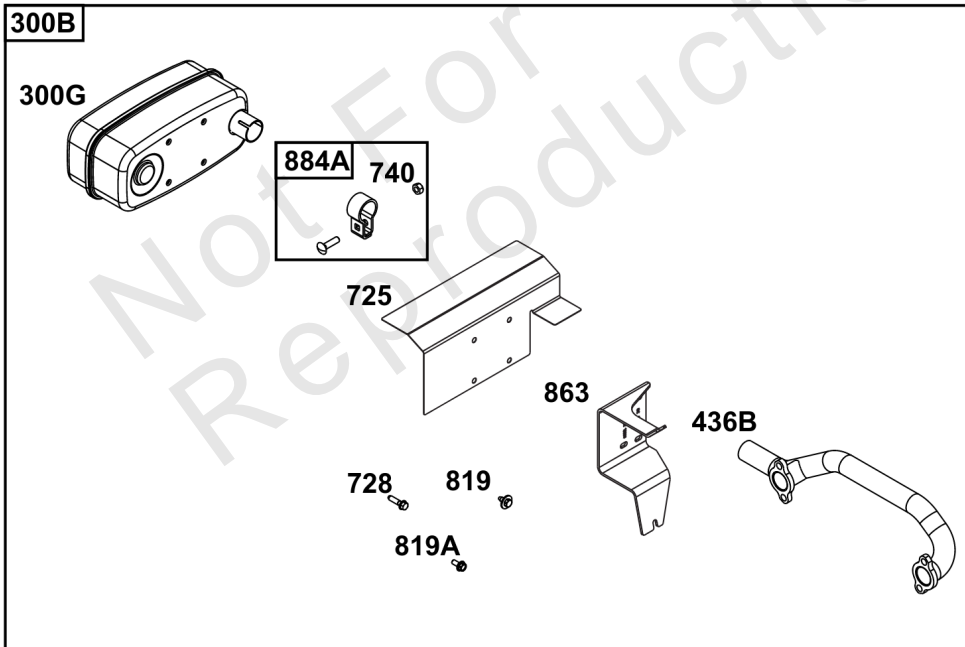
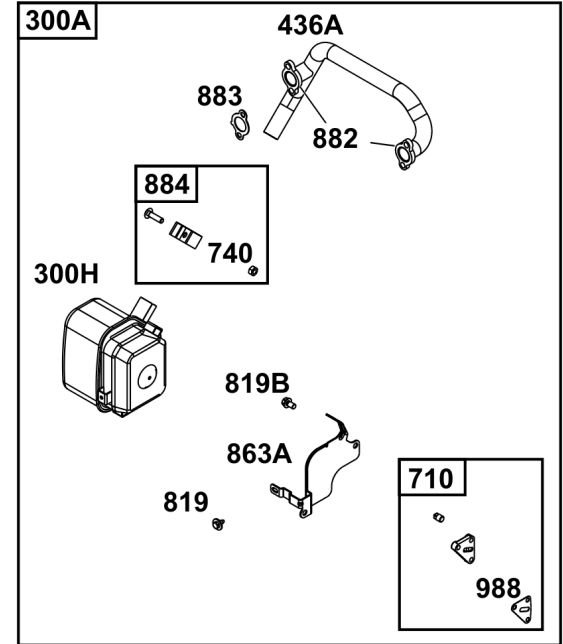
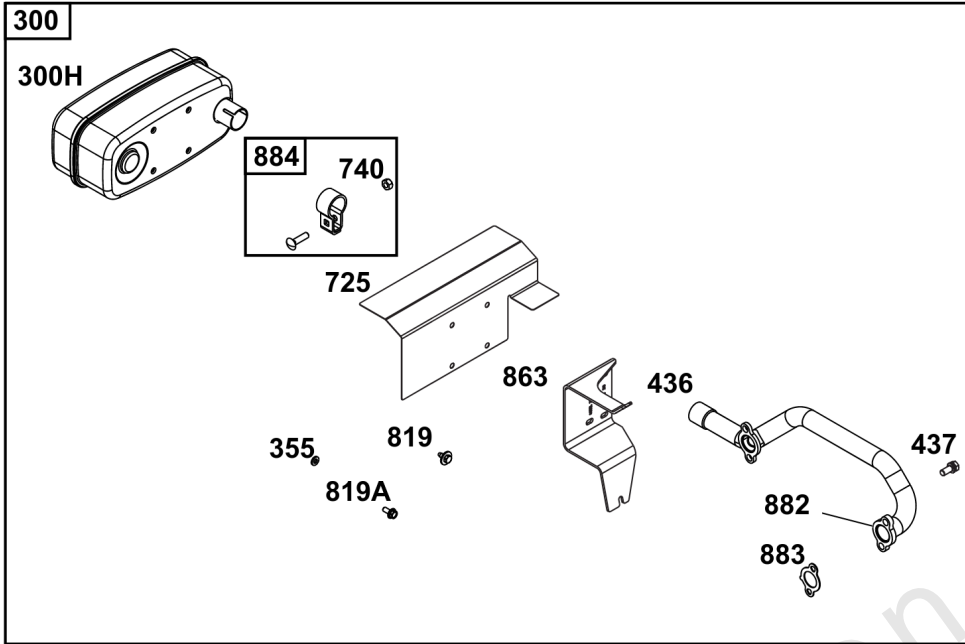
Lubrication

REF NO	PART NO	QTY	DESCRIPTION
186	796532	1	CONNECTOR, Hose -(Threaded Engine Block Connector for EZ-Oil Drain Hose)(Order hose separate)
239	690233	1	SWITCH, Oil Pressure -(2-4 PSI Normally-Closed Switch)
239A	491657S	1	SWITCH, Oil Pressure -(3-5 PSI Normally-Closed Switch)
239B	841281	1	SWITCH, Oil Pressure -(7-10 PSI Normally-Closed Switch)
239C	694115	1	SWITCH, Oil Pressure -(9-13 PSI Normally-Closed Switch)
239D	697049	1	SWITCH, Oil Pressure -(3-6 PSI Normally-Open Switch)
295	492061	1	ADAPTER, Remote Oil Filter -(Remote oil filter head with 18" (48 cm) hoses)
295	492062	1	ADAPTER, Remote Oil Filter -(Remote oil filter head with 30" (76 cm) hoses)
512	594200	1	HOSE, Oil Drain -(EZ-Oil Drain Hose, 10.5")(Order threaded engine block connector separate)
512	593635	1	HOSE, Oil Drain -(EZ-Oil Drain Hose, 13.75")(Order threaded engine block connector separate)
512B	1723165SM	1	HOSE, Oil Drain, 10-1/2" Long, 3/8-18 Fittings -(10.5")
512C	5048681SM	1	HOSE, OIL DRAIN -(12.5")
517	593633	1	RETAINER, Oil Drain
988	692063	1	GASKET, Oil Adapter
1027	492932S	1	FILTER, Oil
1028	492687	1	ADAPTER, Oil Filter -(Adapter Kit for mounting remote oil filter)
1028A	495244	1	ADAPTER-OIL FILTER -(Remote oil filter mounting head with fittings)
1346	844802	1	VALVE, Oil Drain Shut Off
1346A	492031	1	VALVE, Oil Drain Shut Off
1346B	5401WEB	1	VALVE, Oil Drain Shut Off -(1/4 Turn Oil Drain Valve with Hose)
1505	100169		OIL-1QT VANGUARD (CASE) -(1 qt. Bottle)
1505A	100170		OIL-5QT VANGUARD (CASE) -(5 qt. Bottle)
1600	494724	2	HOSE, Remote Oil Filter -(Hoses only (2) 18" (48 cm))
1600	494725	2	HOSE, Remote Oil Filter -(Hoses only (2) 30" (76 cm))



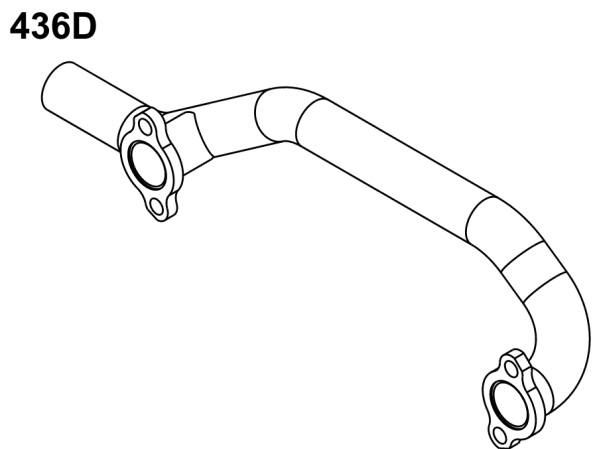
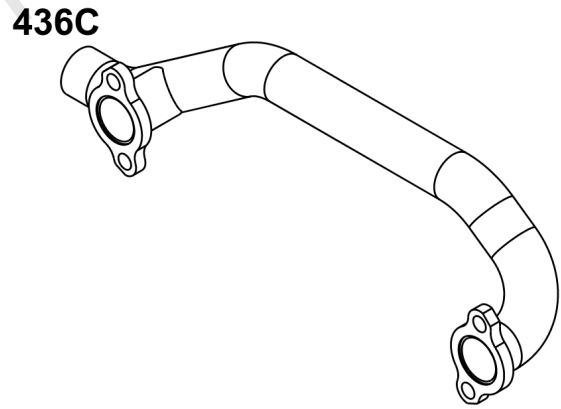
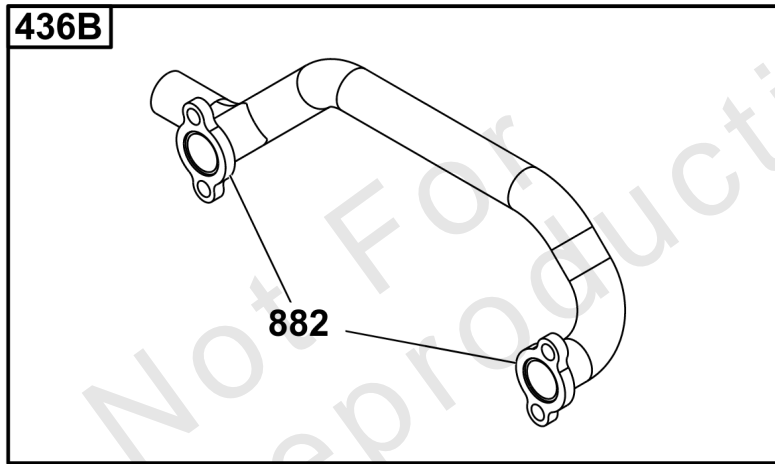
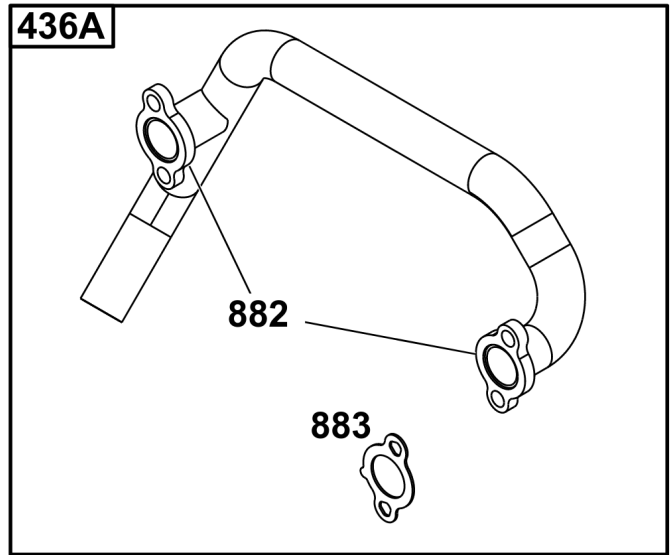
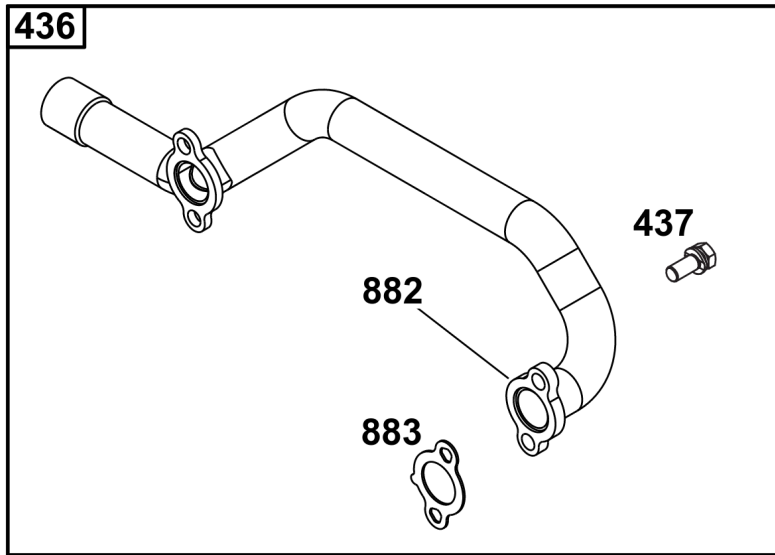
Starter Motor Side Outlet Mufflers

REF NO	PART NO	QTY	DESCRIPTION
300	690931	1	MUFFLER -(Super Lo-Tone) (Horizontal: 3054, 3564)
300A	690906	1	MUFFLER -(Super Lo-Tone) (Horizontal: 3054, 3564)
300B	808705	1	MUFFLER -(5" Round) (Horizontal: 3854, 3864)
300C	845873	1	MUFFLER -(5" Round, Stainless Steel) (Horizontal: 3854, 3864)
300D	995005	1	MUFFLER ASSY -(Lo-Tone) (Horizontal: 3054, 3564)
300E	692099	1	MUFFLER -(Lo Mount)
436	691499	1	MANIFOLD, Exhaust -(Cylinder 1) (Side Outlet)
740	793859	1	NUT
819	692056	2	SCREW -(Muffler Bracket) (M8x1.25)
819A	691514	2	SCREW -(Muffler Bracket) (M6 X 1.0)
837	808085	2	SPACER, Muffler -(Includes 2)
863	690756	1	BRACKET, Muffler -(Cylinder 1) (Side Outlet)
882	692074	2	FLANGE, Exhaust
882A	806965	2	FLANGE, Exhaust
883	806425	2	GASKET, Exhaust
884	690898	1	CLAMP, Muffler



Oil Filter Side Outlet Mufflers

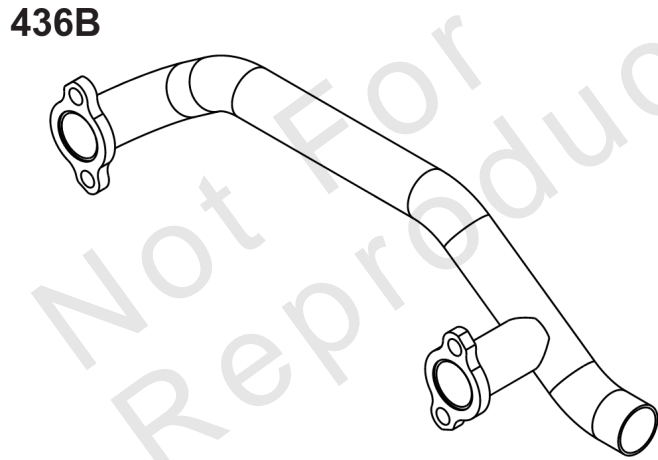
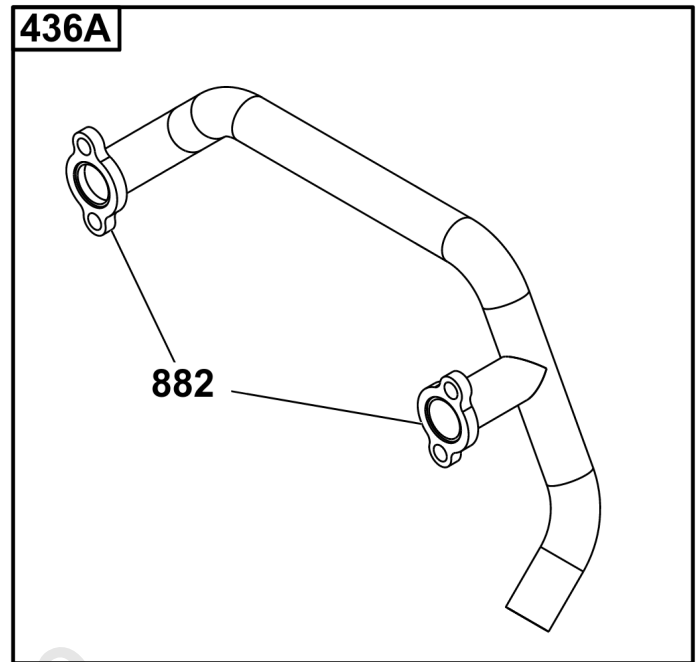
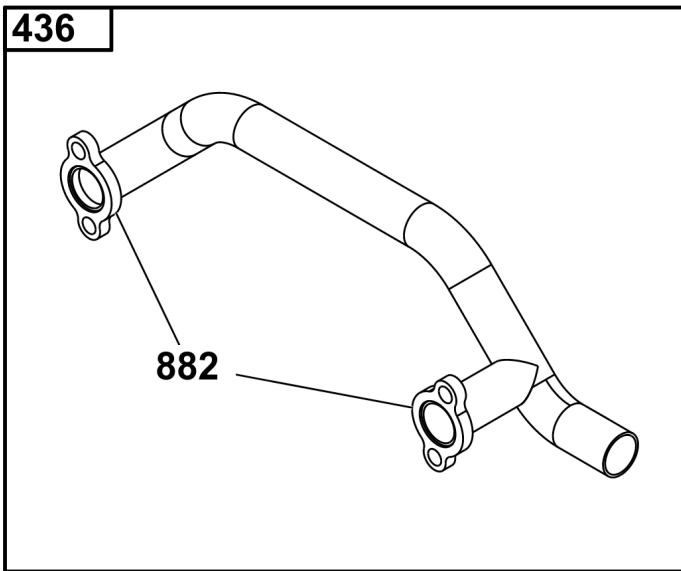
REF NO	PART NO	QTY	DESCRIPTION
300	995002	1	HIGH MNT SPR LO-TONE OIL FLTR SIDE -(Super Lo-Tone) (Horizontal: 3054, 3564) (Vertical: 3567)
300A	995000	1	OIL FILTER SIDE LO-MT -(Lo-Tone) (Horizontal: 3054, 3564) (Requires 808033 Oil Filter Adaptor)
300B	995004	1	HI MNT SPR LO-TONE OIL FLT SIDE -(Super Lo-Tone) (Horizontal: 3854, 3864) (Vertical: 3867)
300C	995009	1	COMMERCIAL MOWERS KIT -(For Wide Area Walker) (Vertical: 3567)
300D	995010	1	COMMERCIAL MOWERS KIT -(Vertical: 3867)
300E	808896	1	MUFFLER
300F	691562	1	MUFFLER -(Super Lo-Tone) (Horizontal: 3054, 3564)
300G	498984S	1	MUFFLER -(Super Lo Tone)
300H	692099	1	MUFFLER -(Lo Mount)
300I	807953	1	MUFFLER
355	842122	2	WASHER -(Muffler Bracket)
436	805609	1	MANIFOLD, Exhaust -(Cylinder 2) (Side Outlet)
436A	692061	1	MANIFOLD, Exhaust -(Cylinder 2) (Side Outlet)
436B	808916	1	MANIFOLD, Exhaust -(Cylinder 2) (Side Outlet)
436C	805778	1	MANIFOLD, Exhaust -(Wide Area Walker)
437	691902	4	SCREW -(Exhaust Manifold)
710	807689	1	COVER, Oil Filter
725	806102	1	SHIELD, Heat
728	690297	2	SCREW
740	793859	1	NUT
819	691514	2	SCREW -(Muffler Bracket) (M6 X 1.0)
819A	807084	2	SCREW -(Muffler Bracket)
819B	692056	2	SCREW -(Muffler Bracket) (M8x1.25)
819C	692062	2	SCREW -(Muffler Bracket)
837	808085	2	SPACER, Muffler -(Includes 2)
863	806759	1	BRACKET, Muffler
863A	691513	1	BRACKET, Muffler
882	692074	2	FLANGE, Exhaust -(3054 & 3564)
882A	806965	2	FLANGE, Exhaust
883	691613	2	GASKET, Exhaust
884	690898	1	CLAMP, Muffler
884A	691956	1	CLAMP, Muffler
988	690687	1	GASKET, Oil Adapter



Oil Filter Side Outlet Manifolds

REF NO	PART NO	QTY	DESCRIPTION
436	805609	1	MANIFOLD, Exhaust -(Vertical: 3567)
436A	692061	1	MANIFOLD, Exhaust -(Horizontal: 3054, 3564)
436B	691501	1	MANIFOLD, Exhaust -(Horizontal: 3054, 3564)
436C	808908	1	MANIFOLD, Exhaust -(Horizontal: 3854, 3864)
436D	808916	1	MANIFOLD, Exhaust -(Horizontal: 3854, 3864) (Vertical: 3867)
437	691902	4	SCREW -(Exhaust Manifold)
882	692074	2	FLANGE, Exhaust
883	691613	2	GASKET, Exhaust

Not For Reproduction

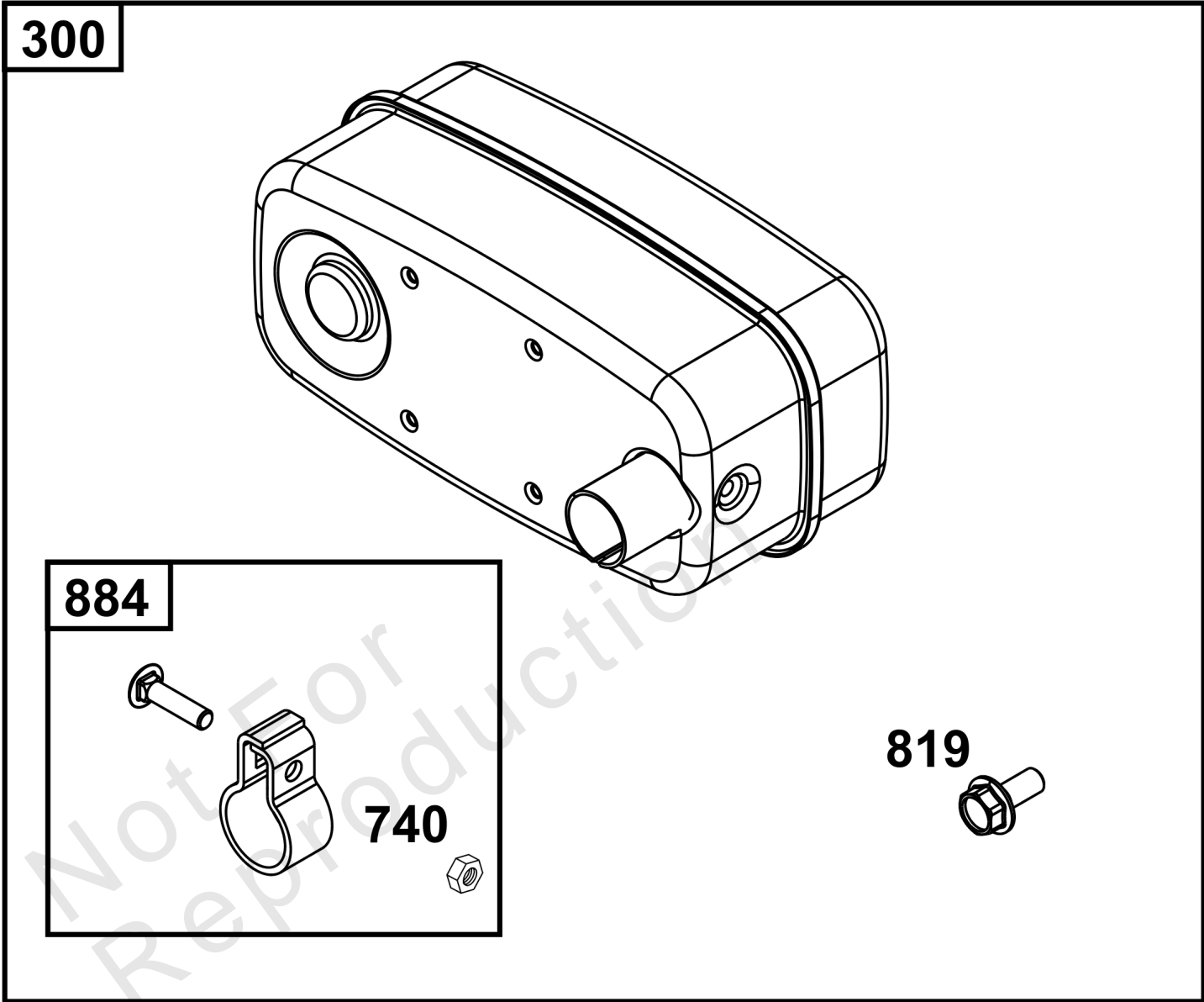


Not For
Reproduction

Starter Motor Side Outlet Manifolds

REF NO	PART NO	QTY	DESCRIPTION
436	691502	1	MANIFOLD, Exhaust -(Horizontal: 3054, 3564)
436A	691499	1	MANIFOLD, Exhaust -(Horizontal: 3054, 3564)
436B	808909	1	MANIFOLD, Exhaust -(Horizontal: 3854, 3864) (Vertical: 3867)
882	692074	2	FLANGE, Exhaust

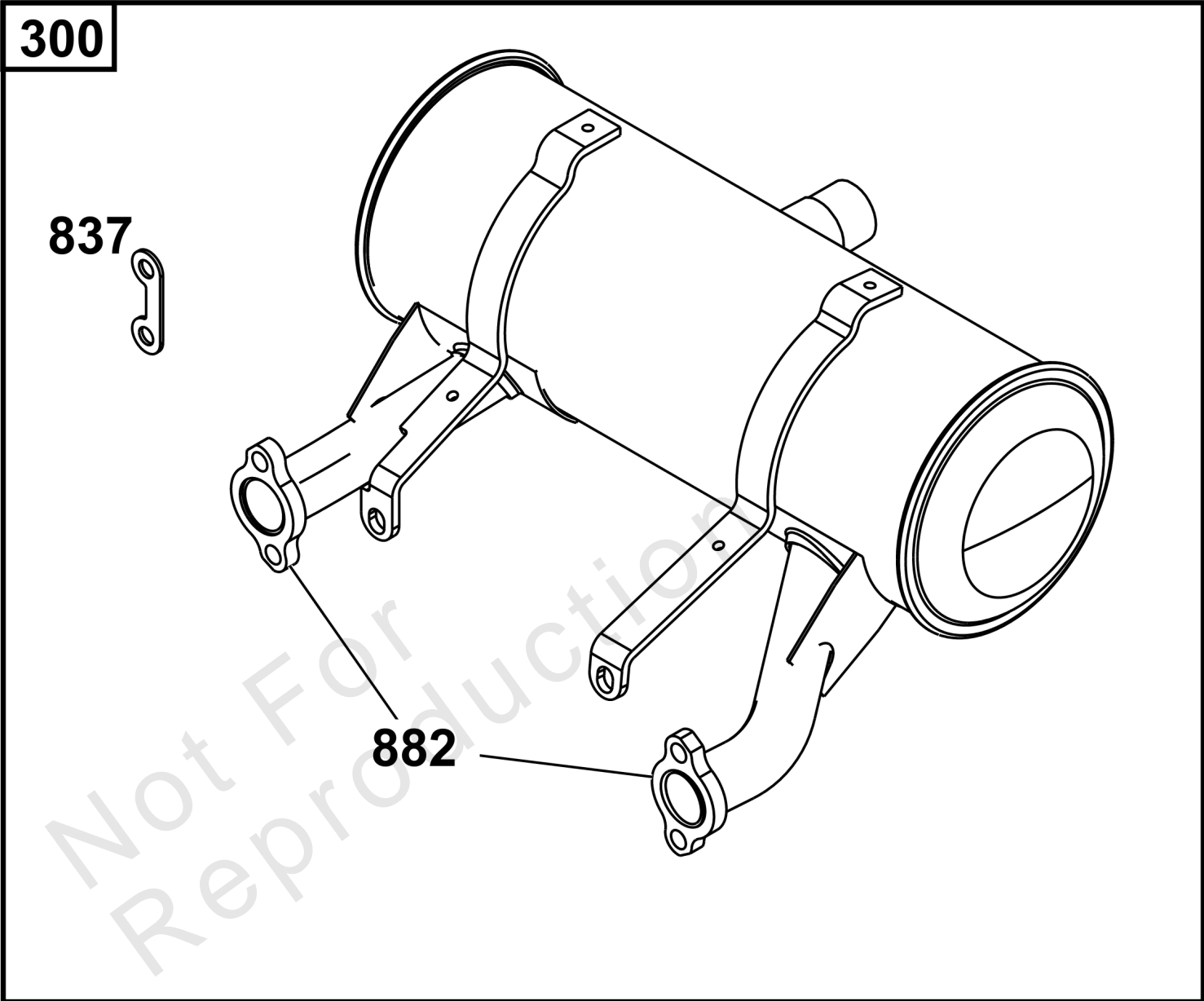
Not For Reproduction



Mufflers

REF NO	PART NO	QTY	DESCRIPTION
300	995018	1	MUFFLER -(Inlet I.D. 1.14" (28.9mm))
740	793859	1	NUT
819	807084	4	SCREW
884	691956	1	CLAMP, Muffler

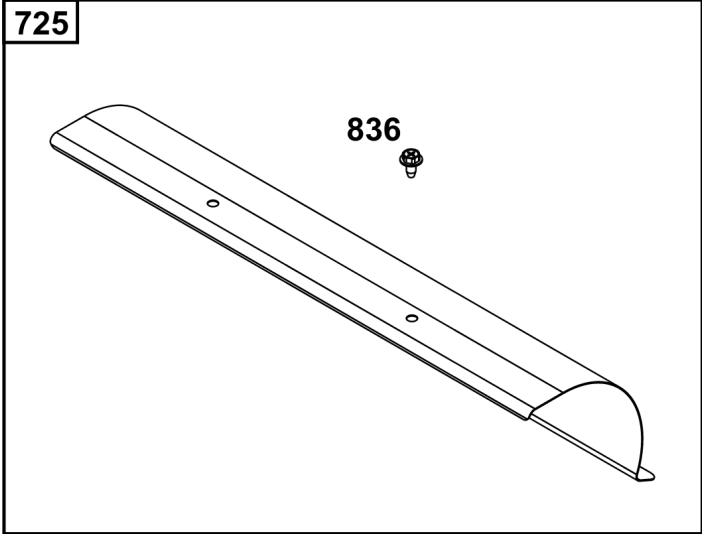
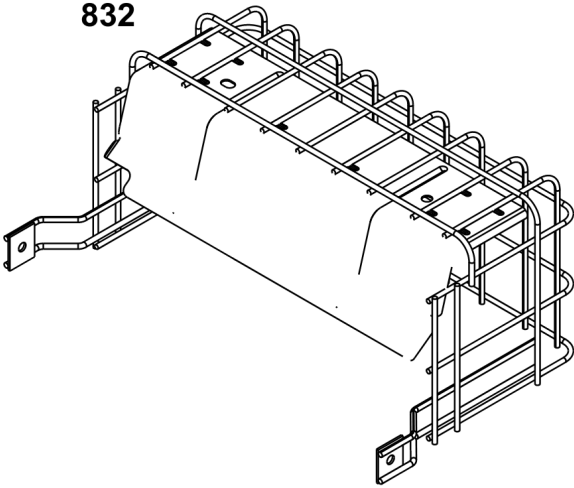
Not For Reproduction



Center Outlet Mufflers

REF NO	PART NO	QTY	DESCRIPTION
300	808911	1	MUFFLER -(5" Round) (Horizontal: 3854, 3864)
837	808085	2	SPACER, Muffler
882	806965	2	FLANGE, Exhaust

Not For Reproduction

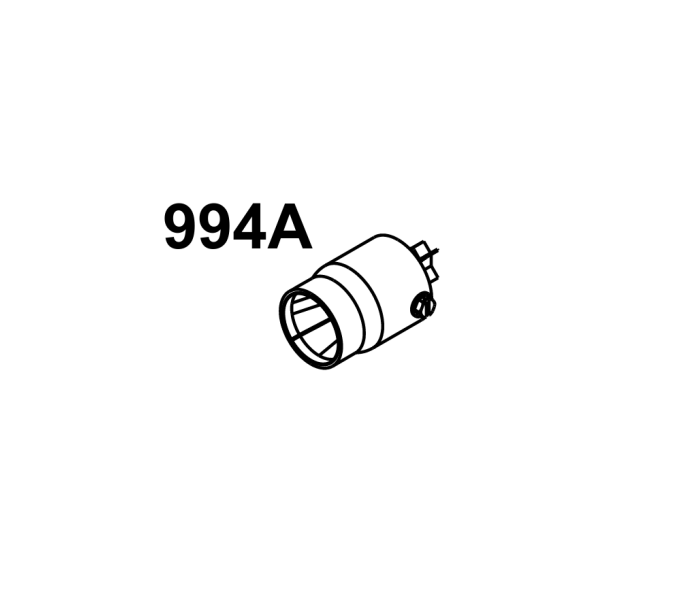
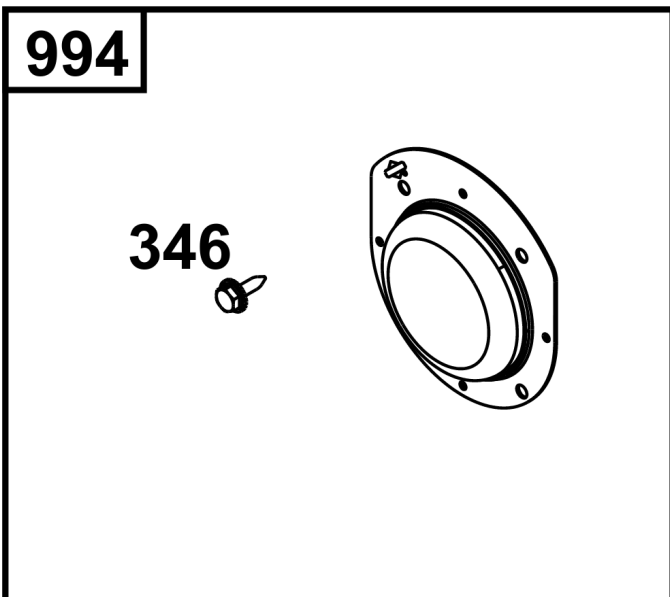
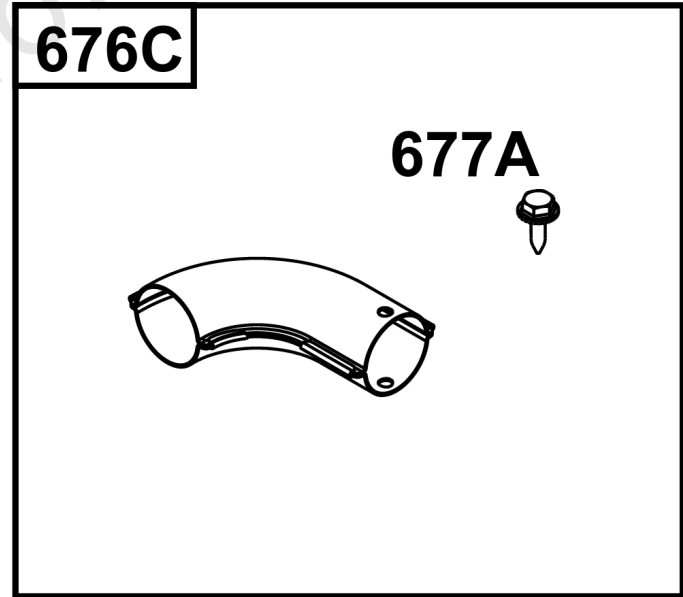
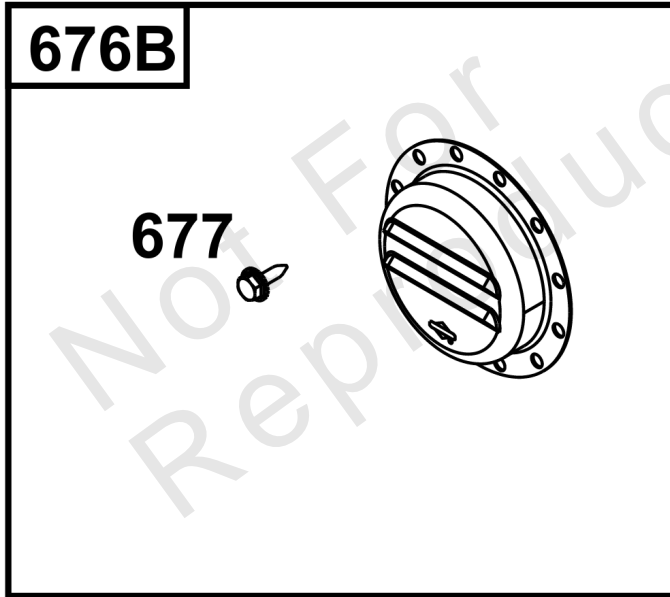
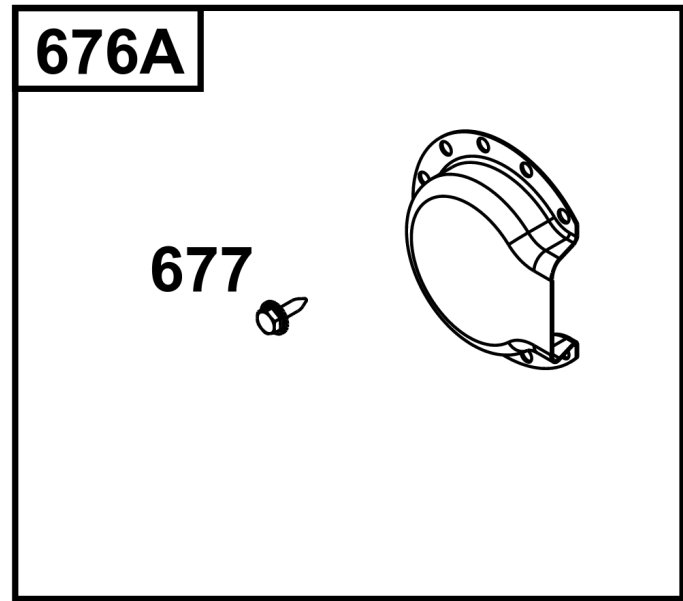
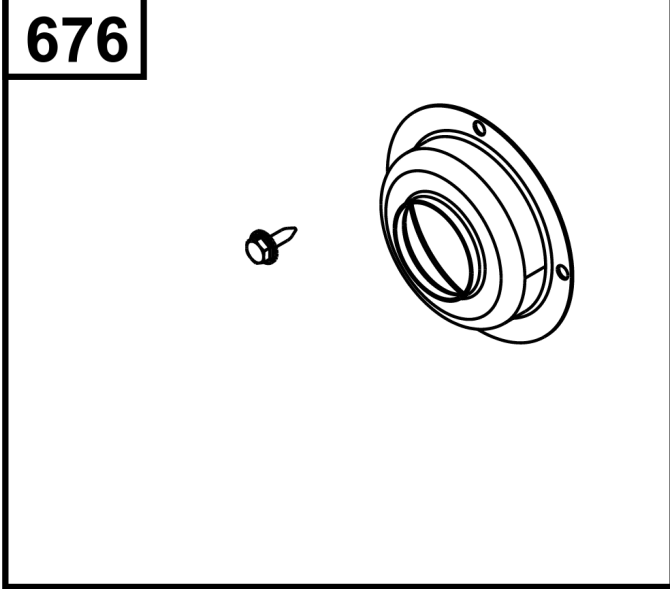


Not For
Reproduction

Muffler Guards and Shields

REF NO	PART NO	QTY	DESCRIPTION
725	846568	1	SHIELD, Heat -(For 5" Round Mufflers) (Horizontal: 3854, 3864)
832	691571	1	GUARD, Muffler -(Assembly for 690906 & 691562) (Horizontal: 3054, 3564)
836	692067	4	SCREW

Not For Reproduction



Spark Arrestors and Deflectors

REF NO	PART NO	QTY	DESCRIPTION
346	794845	4	SCREW -(Spark Arrestor)
676	396903	1	DEFLECTOR, Muffler -(Direct Outlet) (Face Mounting with 4 Screws)
676A	795036	1	DEFLECTOR, Muffler -(Deflector 90 Degree) (Face Mounting with 4 Screws)
676B	795038	1	DEFLECTOR, Muffler -(Deflector Louvered) (Face Mounting with 4 Screws)
676C	495518	1	DEFLECTOR, Muffler -(Elbow for Muffler Assembly) (For Exit Pipe O.D. of 1.10" (28mm))
677	794845	4	SCREW -(Muffler Deflector)
677A	810079	1	SCREW -(Muffler Deflector)
994	794945	1	ARRESTOR, Spark -(Spark Arrestor) (Face Mounting with 4 Screws)
994A	594562	1	ARRESTOR-SPARK -(Spark Arrestor) (For Exit Pipe O.D. of 1.10" (28mm))

Not For Reproduction

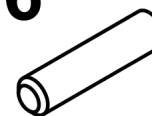
613



1177



296



883



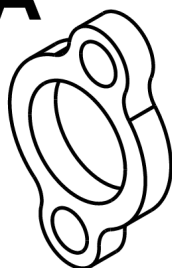
883A



882



882A

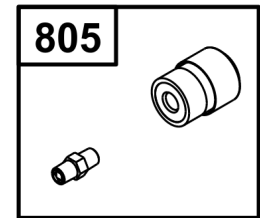
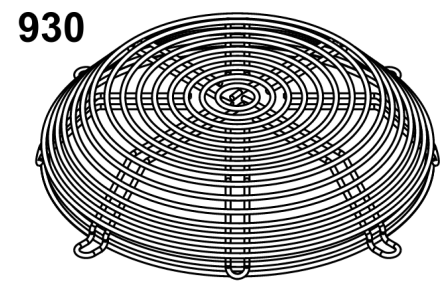
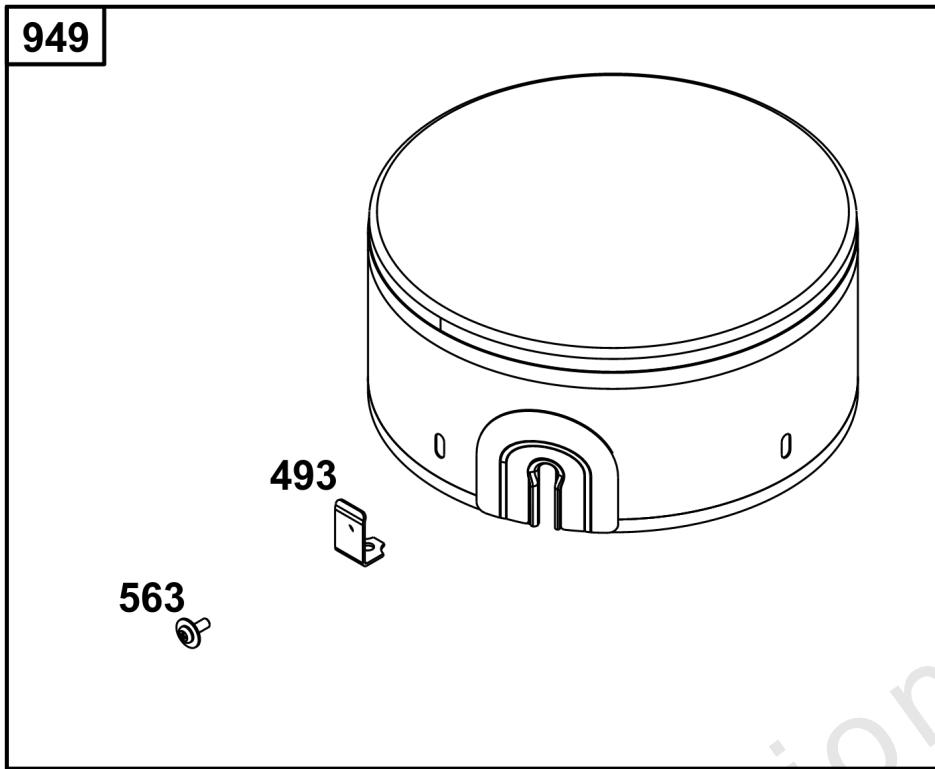


Not for
Reproduction

Muffler Mounting Hardware

REF NO	PART NO	QTY	DESCRIPTION
296	841185	4	STUD -(Mounting Mufflers)
613	691902	4	SCREW -(Mounting Mufflers)
882	692074	2	FLANGE, Exhaust -(3054 & 3564)
882A	806965	2	FLANGE, Exhaust -(3854 & 3864)
883	806425	2	GASKET, Exhaust -(Horizontal: 3854, 3864) (Vertical: 3567)
883A	691613	2	GASKET, Exhaust -(Horizontal: 3054, 3564) (Vertical: 3567)
1177	842067	4	NUT -(Required if Using 841185)

Not For Reproduction

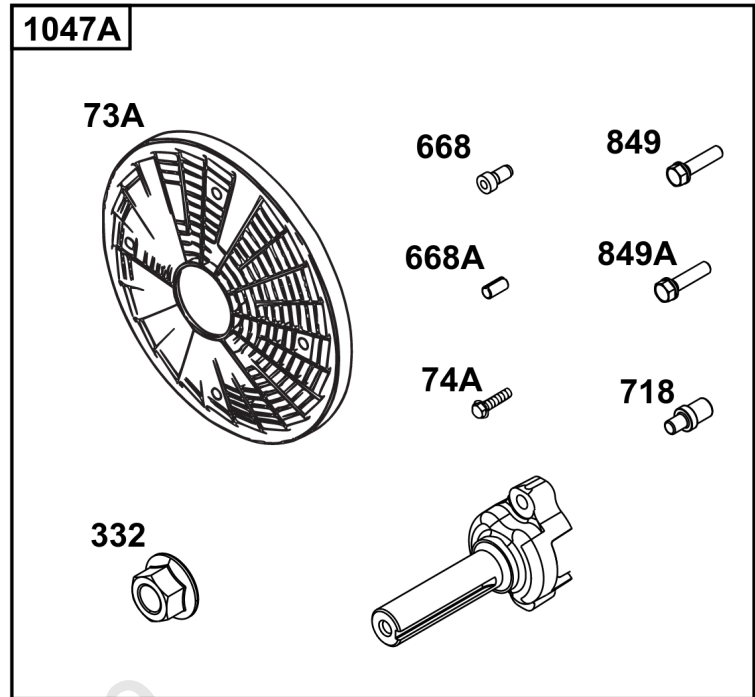
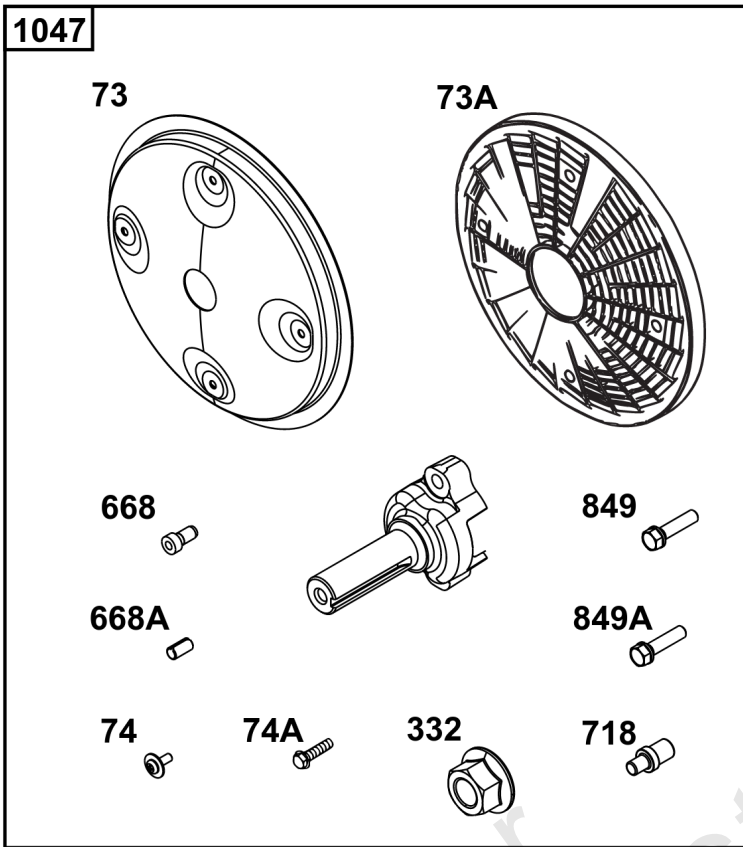


Not For
Reproduction

Flywheel and Air Intake Guards

REF NO	PART NO	QTY	DESCRIPTION
493	845729	4	BRACKET, Mounting
563	841441	4	SCREW
805	843024	1	MINDER, Filter -(For Engines with Cyclonic Air Filter)
930	846284	1	GUARD, Flywheel Fan
949	845728	1	GUARD, Debris Screen -(Vertical: 3867)

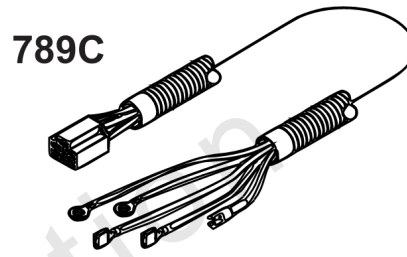
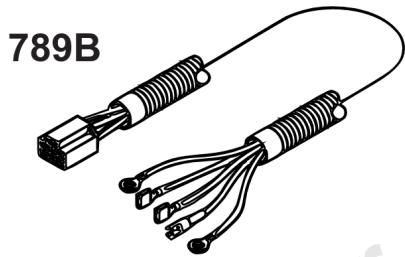
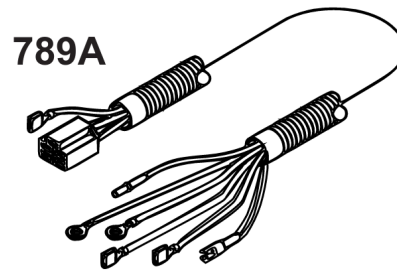
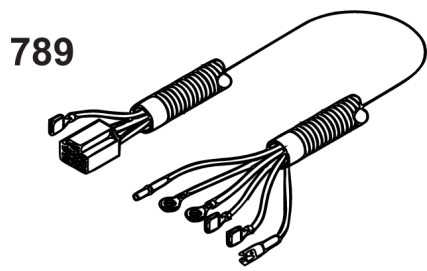
Not For Reproduction



Not For
Reproduction

PTO

REF NO	PART NO	QTY	DESCRIPTION
73	841582	1	SCREEN, Rotating
73A	494439	1	SCREEN, Rotating
74	841441	4	SCREW -(Rotating Screen)
74A	691647	4	SCREW -(Rotating Screen)
332	690887	1	NUT -(Flywheel)
668	691500	4	SPACER -(Rotating Screen)
668A	691215	4	SPACER -(Rotating Screen)
718	841581	1	PIN, Locating -(32MM)
849	691088	2	SCREW -(Stub Shaft)
849A	846236	2	SCREW -(Stub Shaft)
1047	841580	1	SHAFT, Stub -(1" Diameter) (4.75" Length)
1047A	842655	1	SHAFT, Stub -(1" Diameter) (5.43" Length)



578

A wiring harness with ten individual wires of different colors: orange, light orange, black, purple, blue, green, yellow, red, yellow, and black. Each wire has a terminal at the end. A grey wire is shown at the bottom.

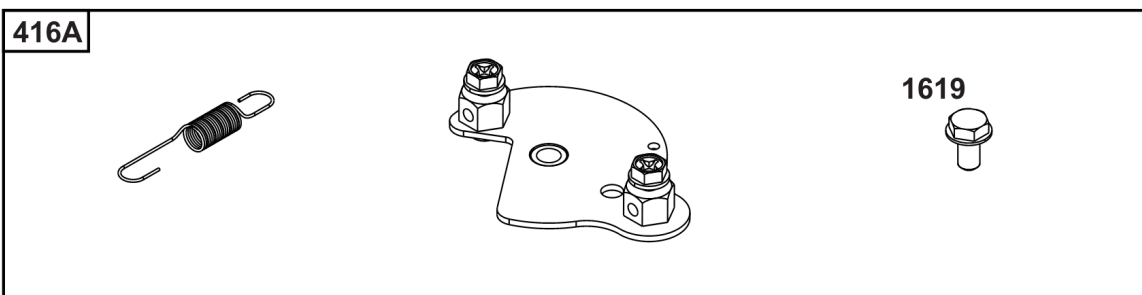
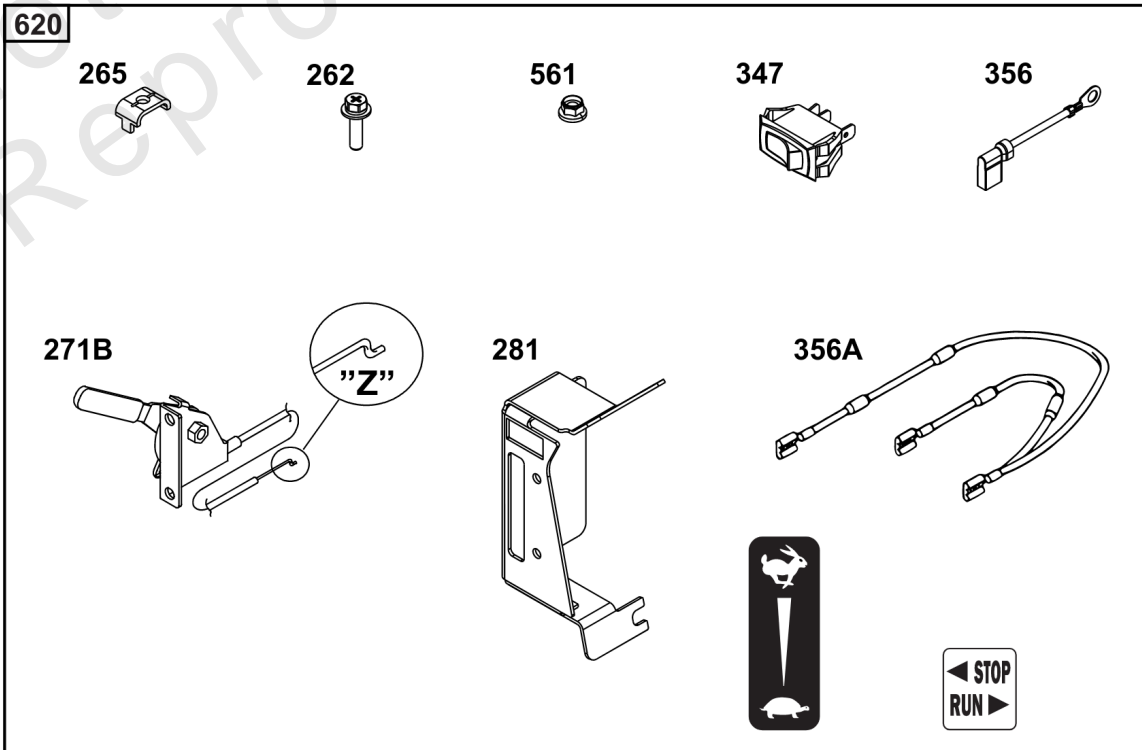
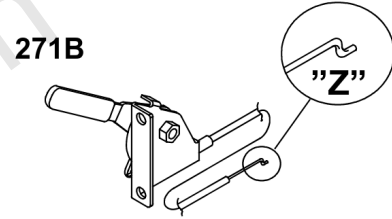
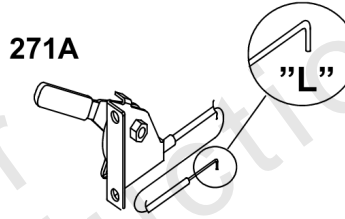
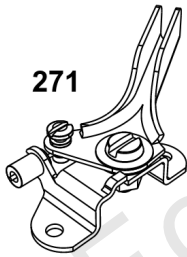
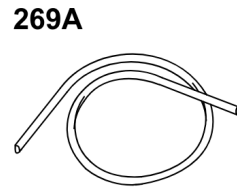
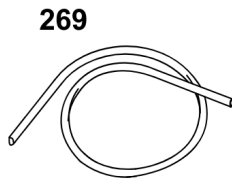
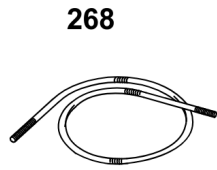
LOOSE CONNECTOR:
TE # 1-480704-0
MATE-N-LOK 6 POSITION HOUSING

A diagram of a MATE-N-LOK 6 position housing with an arrow pointing to the connector location.

Electrical

REF NO	PART NO	QTY	DESCRIPTION
415	1714480SM	1	PLUG -(Plug for Ignition Switch Removal)
578	84007350	1	WIRE ASSEMBLY -(Aids in Repowering Engine Application with 6-Pin Connector and Wires with Terminals to Create Custom Adapter Configurations)
789	691996	1	HARNESS, Wiring -(For 16 Amp Alternators)
789A	841318	1	HARNESS, Wiring -(For 16 Amp Alternators with Solenoid Shift Starter)
789B	847601	1	HARNESS, Wiring -(For 20 Amp Alternators)
789C	847602	1	HARNESS, Wiring -(For 20 Amp Alternators with Solenoid Shift Starter)

Not For Reproduction



Speed Control

REF NO	PART NO	QTY	DESCRIPTION
262	841552	1	SCREW
265	691024	1	CLAMP, Casing -(Casing Clamp for Hard Casing)
265A	690798	1	CLAMP, Casing -(Casing Clamp for Soft Casing)
267	792629	1	SCREW -(Screw for Casing Clamp)
268	691025	1	CASING, Control Wire -(Wire Casing 72")
269	26634	1	WIRE, Control -(Control Wire 78")
269A	93907	1	WIRE, Control -(Control Wire 100")
270	691027	1	NUT -(Nut for Wire Casing)
271	691028	1	LEVER, Control -(Speed Control Lever Assembly)
271A	692105	1	LEVER, Control -(Speed Control Lever Assembly) ('L' Shaped End)
271B	692541	1	LEVER, Control -(Speed Control Lever Assembly) ('Z' Shaped End)
281	690742	1	PANEL, Control
347	691995	1	SWITCH-ROCKER
356	690796	1	WIRE, Stop
356A	691999	1	WIRE ASSEMBLY
416	595196	1	BRACKET, Throttle Cable -(Casing Clamp for Snap-In Casing)
416A	84006945	1	BRACKET, Throttle Cable
561	806447	1	NUT
620	494052	1	BRACKET, Control -(Throttle Control for Vanguard V-Twin Horizontal Small Block)
1619	691693	1	SCREW

