

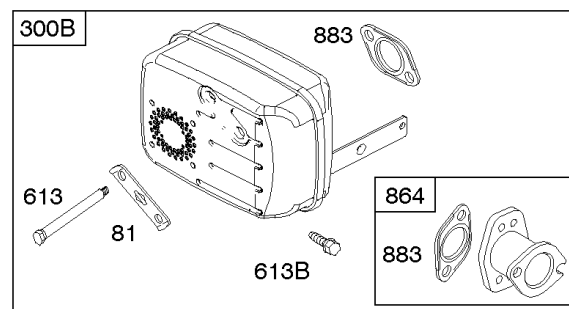
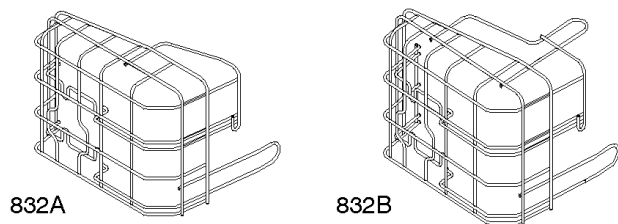
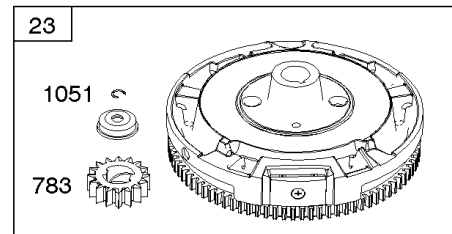
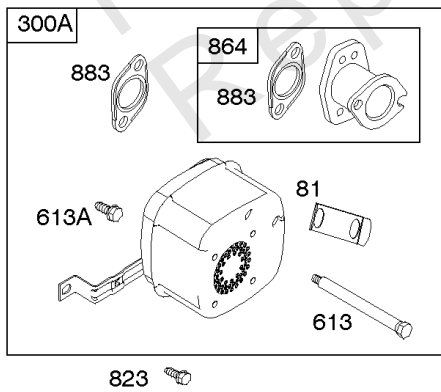
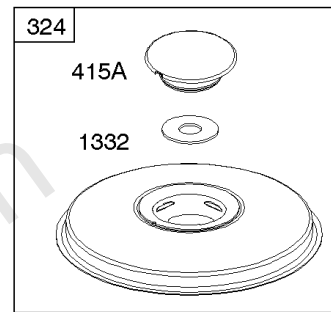
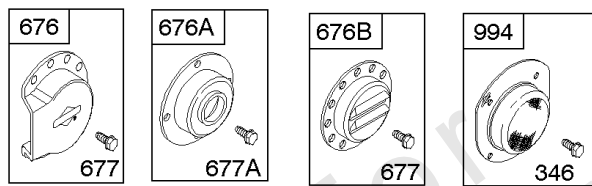
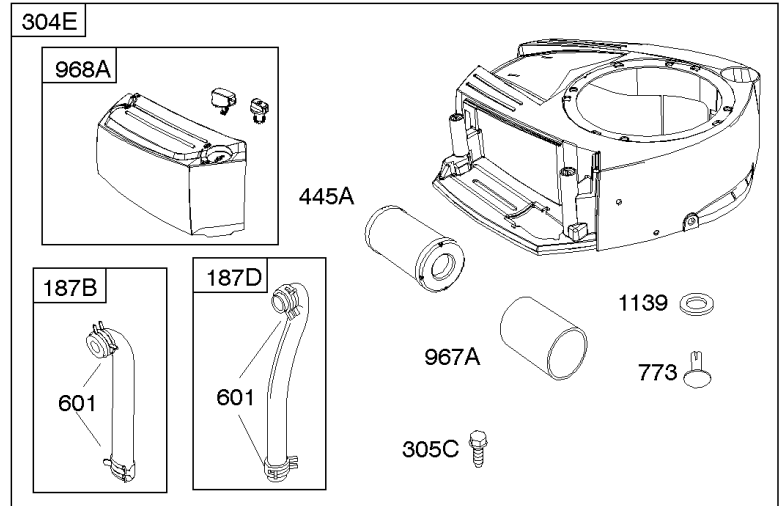
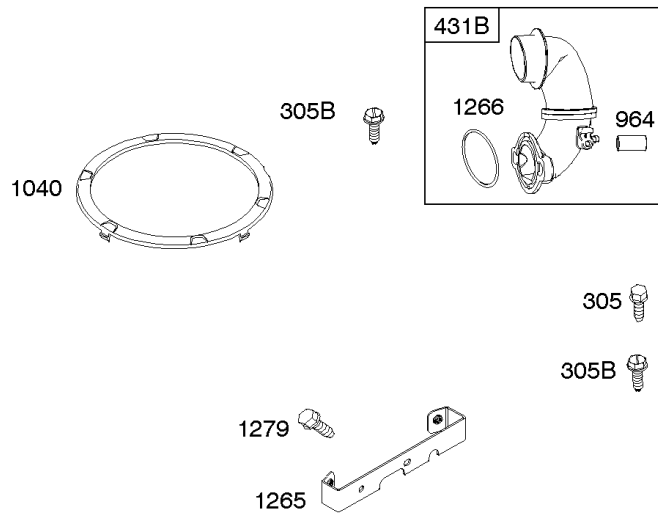


Parts Manual

Mfg. No: 33R877-0002-G1

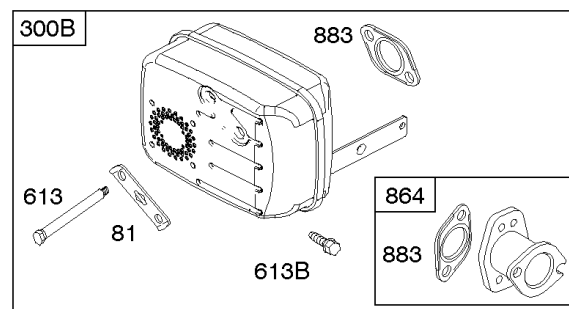
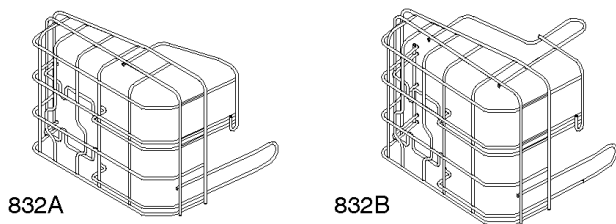
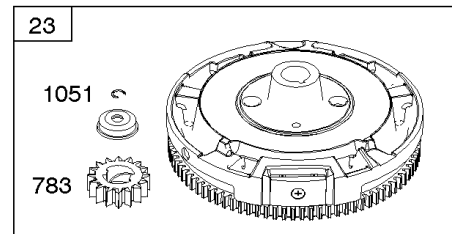
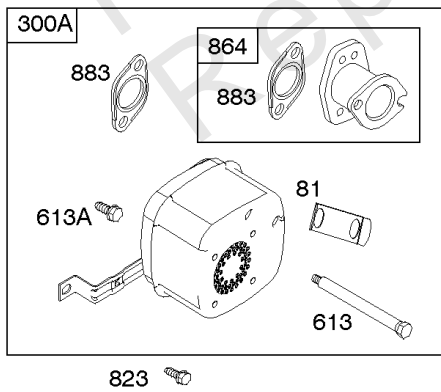
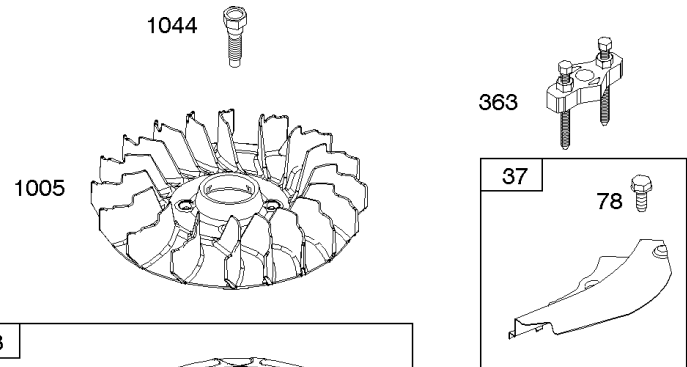
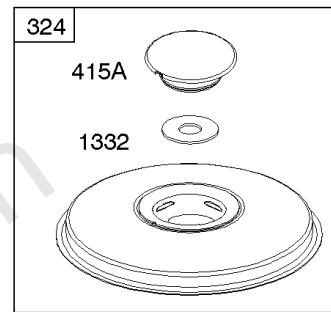
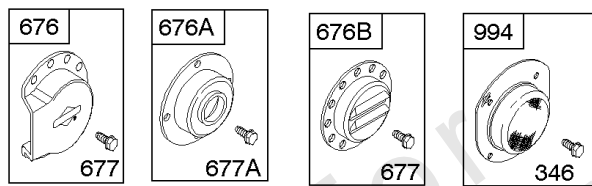
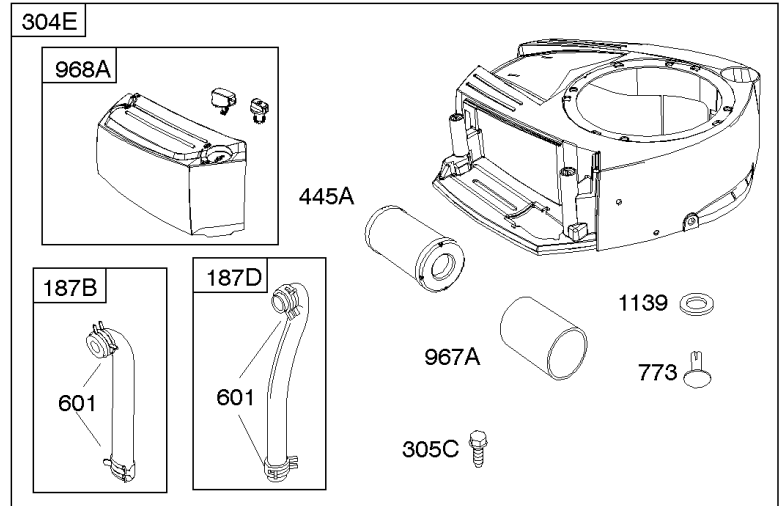
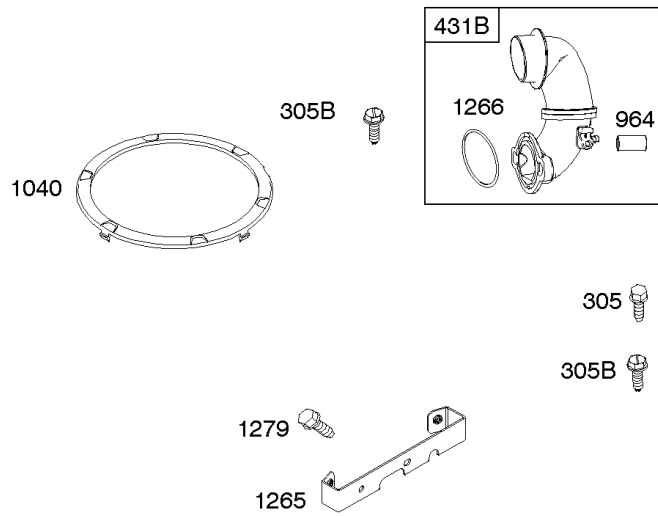
Model Components	Page
Air Cleaner, Blower Housing, Exhaust, Flywheel.....	4
Alternator, Controls, Electric Starter, Governor Spring, Ignition.....	8
Camshaft, Crankshaft, Cylinder, Engine Sump, Gasket Set-Engine, Lubrication, Piston, Rings, and Connecting	12
Carburetor, Fuel Supply, Kit-Carburetor Overhaul.....	16
Cylinder Head, Gasket Set-Valve, Intake Manifold, Valves.....	22
Replacement Engine - US & Canada.....	26

Not For
Reproduction



Air Cleaner, Blower Housing, Exhaust, Flywheel

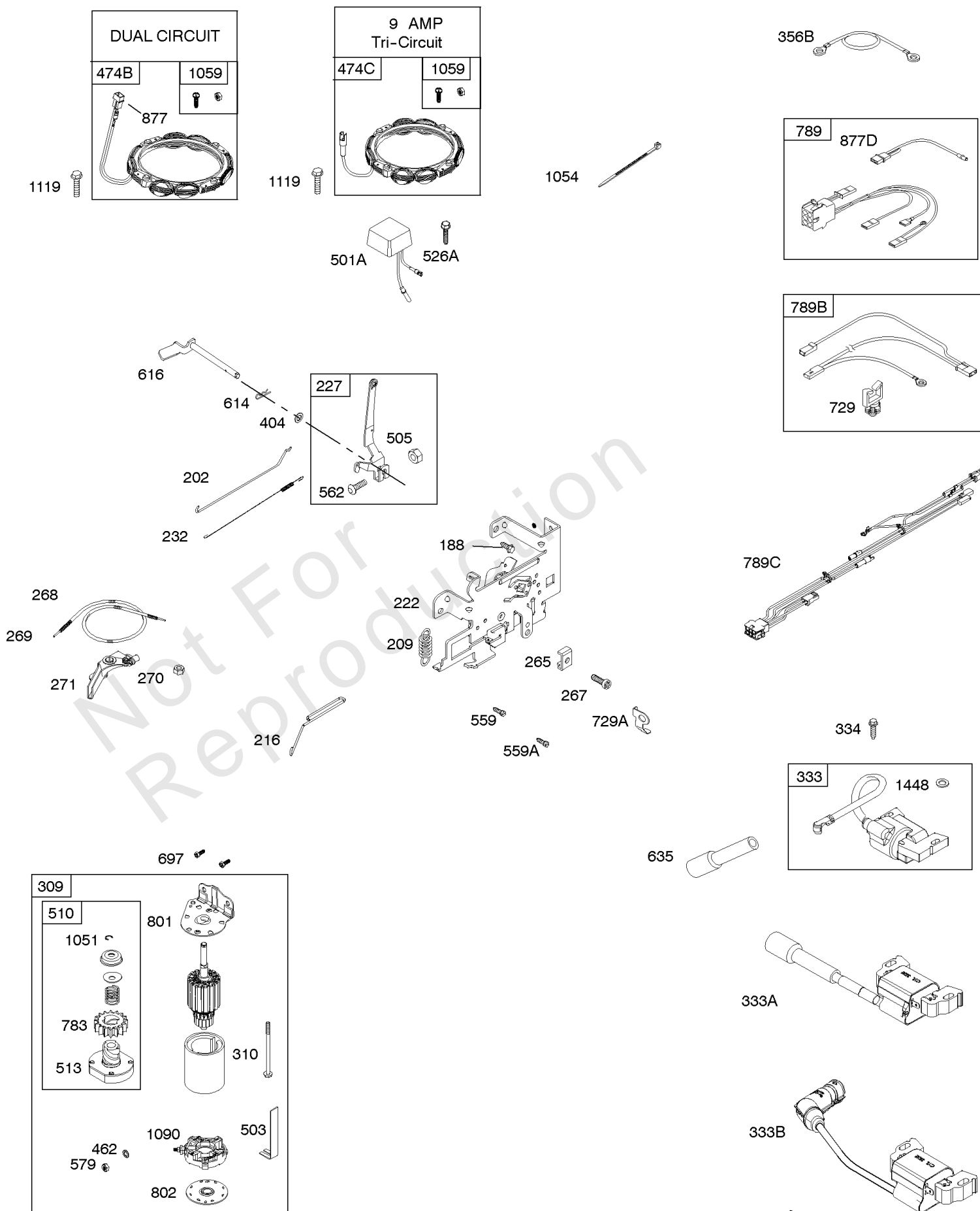
REF NO	PART NO	QTY	DESCRIPTION
23	591759		FLYWHEEL
37	699882		GUARD, Flywheel
78	691693		SCREW -(Flywheel Guard)
81	691178		LOCK, Muffler Screw
187B	791805		LINE, Fuel -(Formed)(10-1/4" Long)(Cut to Required Length)
187D	791744		LINE, Fuel -(Formed)(14 Inches Long)(Cut To Required Length)
300A	795998		MUFFLER
300B	795997		MUFFLER
304E	592814		HOUSING-BLOWER -(Black)
305	697102		SCREW -(Blower Housing)
305B	795891		SCREW -(Blower Housing) (Blower Housing to Elbow)
305C	799370		SCREW -(Blower Housing)
324	796309		SCREEN/CUP ASSEMBLY
346	794845		SCREW -(Spark Arrestor)
363	19203		PULLER, Flywheel -(71.5mm (2.81in.))
363	19165		PULLER, Flywheel -(50.8mm (2.010in.))
363	19069		PULLER, Flywheel -(41.3mm (1.63in.))
415A	794129		COVER, Flywheel -(Cover/Retainer)
431B	799043		MANIFOLD, Intake
445A	793569		FILTER, A/C Cartridge
601	691038		CLAMP, Hose -(Black)
601	791850		CLAMP, Hose -(Green)
613	691416		SCREW -(Muffler)
613A	691678		SCREW -(Muffler)
613B	690297		SCREW -(Muffler)
676	795036		DEFLECTOR, Muffler
676A	396903		DEFLECTOR, Muffler
676B	795038		DEFLECTOR, Muffler
677	794845		SCREW -(Muffler Deflector)
677A	690661		SCREW -(Muffler Deflector)
773	796448		RETAINER
783	593935		GEAR, Pinion
823	698941		SCREW -(Muffler Adapter)
832A	595029		GUARD, Muffler
832B	706336		GUARD, Muffler
864	796002		ADAPTER, Muffler -(2 1/4" Long)



Air Cleaner, Blower Housing, Exhaust, Flywheel

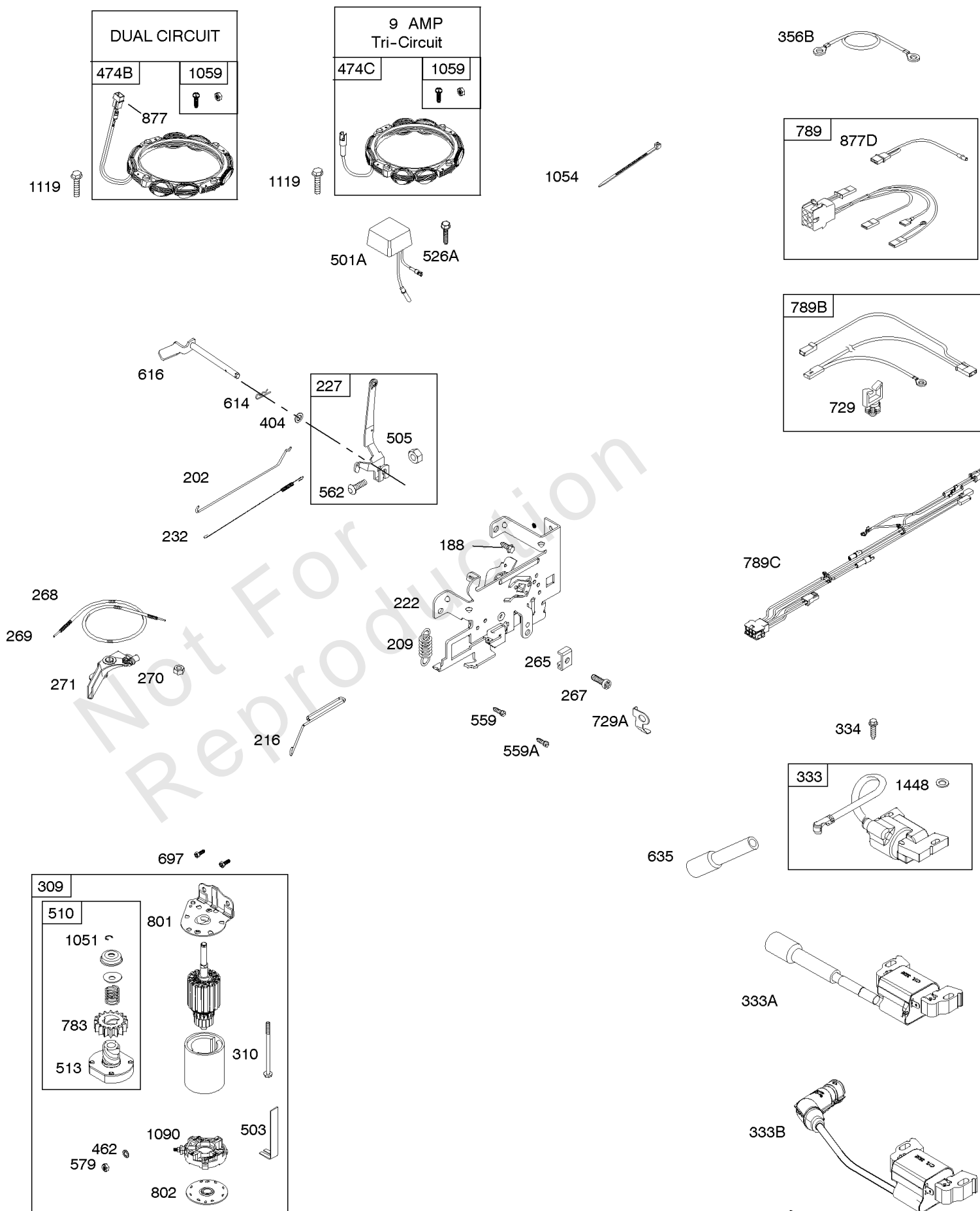
REF NO	PART NO	QTY	DESCRIPTION
883	692236		GASKET, Exhaust
964	799159		CAP, Connector
967A	793685		FILTER, Pre Cleaner
968A	591648		COVER-AIR CLEANER -(Black)
994	794945		ARRESTOR, Spark
1005	796084		FAN, Flywheel
1040	698368		PLATE, Trim -(Black)
1044	698139		SCREW -(Flywheel)
1051	691265		RING, Retaining
1139	796449		WASHER -(Fuel Pump Bracket)
1265	794151		SUPPORT, Blower Housing
1266	691917		SEAL, O-Ring -(Intake Elbow)
1279	691108		SCREW -(Blower Housing Support)
1332	591991		WASHER -(Rotating Screen)

Not For Production



Alternator, Controls, Electric Starter, Governor Spring, Ignition

REF NO	PART NO	QTY	DESCRIPTION
188	691693		SCREW -(Control Bracket)
202	691841		LINK, Mechanical Governor
209	792813		SPRING, Governor
216	691840		LINK, Choke
222	694042		BRACKET, Control
227	691374		LEVER, Governor Control
232	691842		SPRING, Governor Link
265	691024		CLAMP, Casing
267	794904		SCREW -(Casing Clamp)
268	691025		CASING, Control Wire -(Cut To Required Length)
269	691026		WIRE, Control -(Cut To Required Length)
270	691027		NUT -(Control Wire Casing)
271	691028		LEVER, Control
309	593934		MOTOR, Starter
310	690323		SCREW -(Starter Motor)
333	595304		ARMATURE, Magneto -Used Before Code Date 16081000
333A	594626		ARMATURE, Magneto -Used After Code Date 16080900
334	691061		SCREW -(Magneto Armature)
356B	697089		WIRE, Stop
404	691691		WASHER -(Governor Crank)
462	691261		WASHER -(Starter Cable)
474B	592831		ALTERNATOR -(Dual Circuit)
501A	794360		REGULATOR -(9 Amp Regulated)
503	691532		STRAP, Starter
505	691251		NUT -(Governor Control Lever)
510	693699		DRIVE, Starter
513	692024		CLUTCH, Drive
526A	697088		SCREW -(Regulator)
559	697561		SCREW -(Remote Choke Stop)
559A	693675		SCREW -(Remote Choke Stop)
562	691119		BOLT -(Governor Control Lever)
579	691029		NUT -(Starter Cable)
614	691620		PIN, Cotter
616	692012		CRANK, Governor
635	691909		BOOT, Spark Plug
697	791680		SCREW -(Starter Motor) (Drive Cap)
729	691335		CLIP, Wire



Alternator, Controls, Electric Starter, Governor Spring, Ignition

REF NO	PART NO	QTY	DESCRIPTION
729A	691224		CLIP, Wire
783	593935		GEAR, Pinion
789	698329		HARNES, Wiring
801	691283		CAP, Drive
802	691286		CAP, End
877	393456		WIRE/CONNECTOR, Alternator -(Dual Circuit)
1051	691265		RING, Retaining
1054	280275		TIE, Cable
1059	698516		KIT, Screw/Washer
1090	691293		RETAINER, Brush
1119	691183		SCREW -(Alternator)
1448	690260		WASHER -(Magneto Armature)

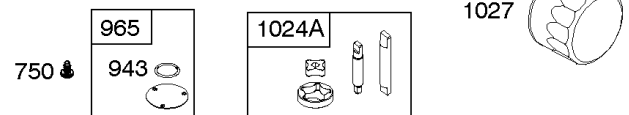
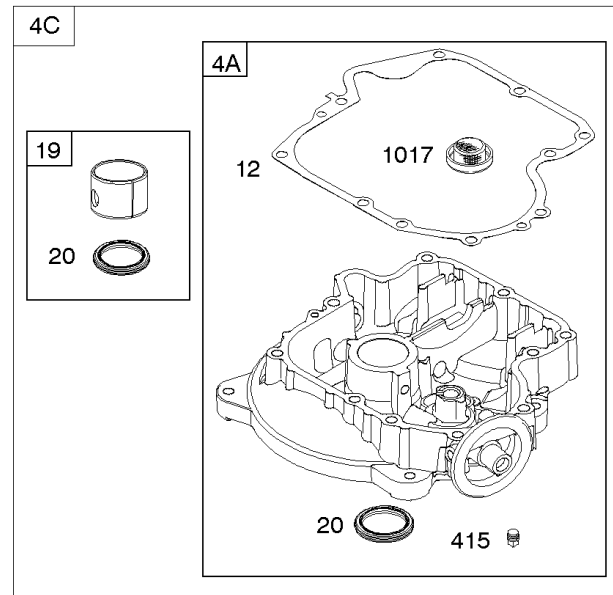
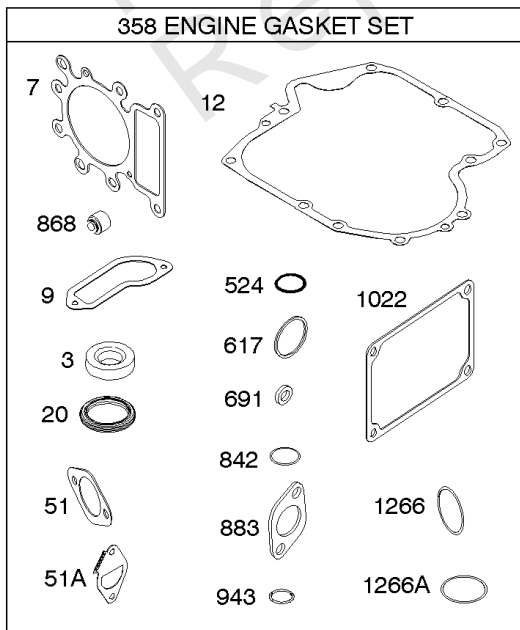
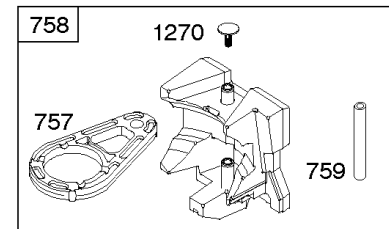
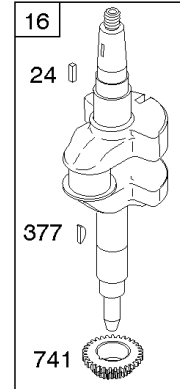
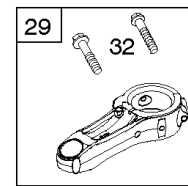
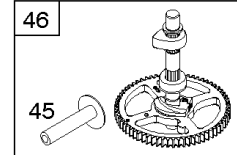
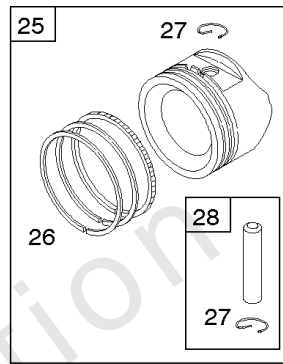
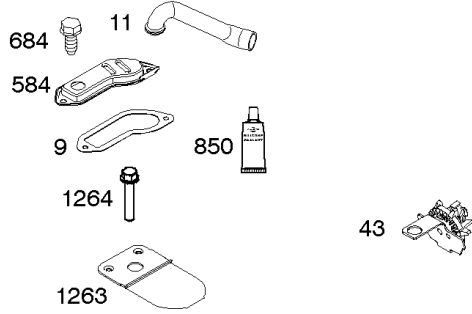
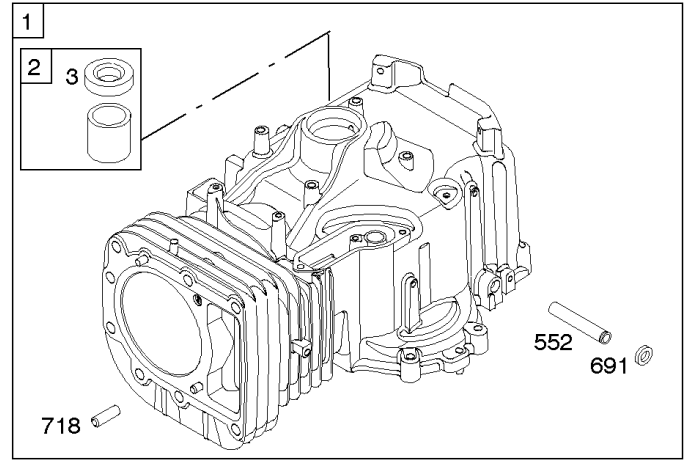
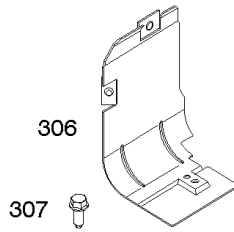
Not For Reproduction

1036 EMISSIONS LABEL

1319 WARNING LABEL

1319A WARNING LABEL

1319B WARNING LABEL



Camshaft, Crankshaft, Cylinder, Engine Sump, Gasket Set-Engine, Lubrication, Piston,

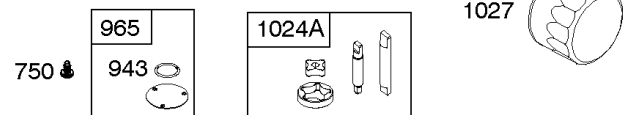
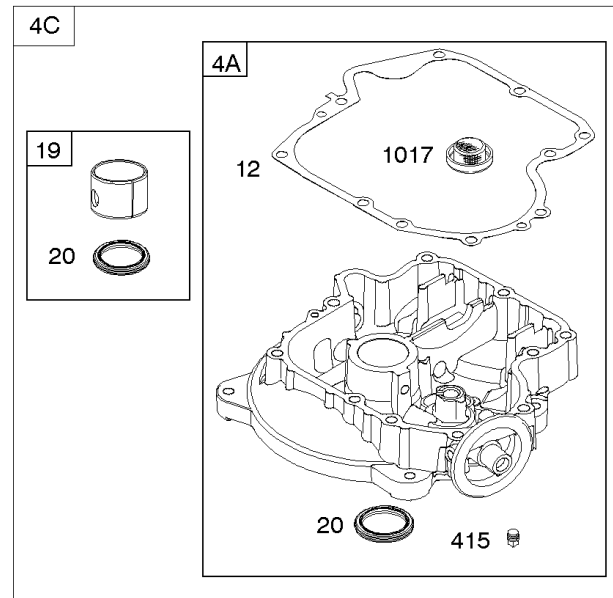
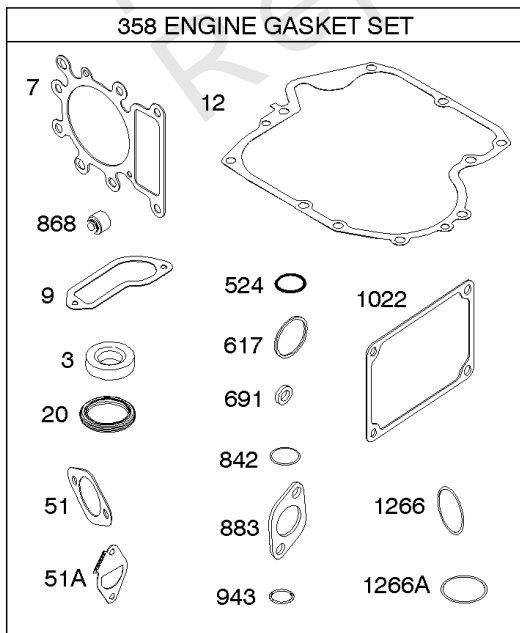
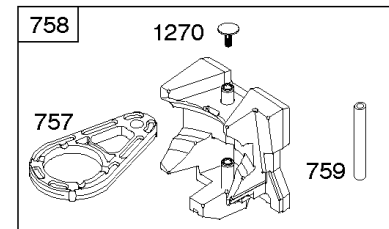
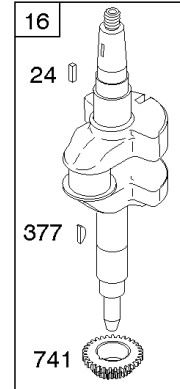
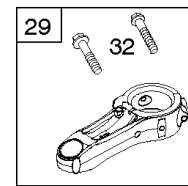
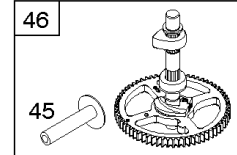
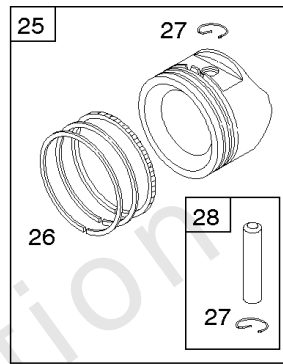
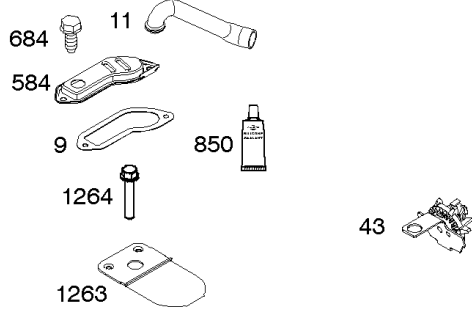
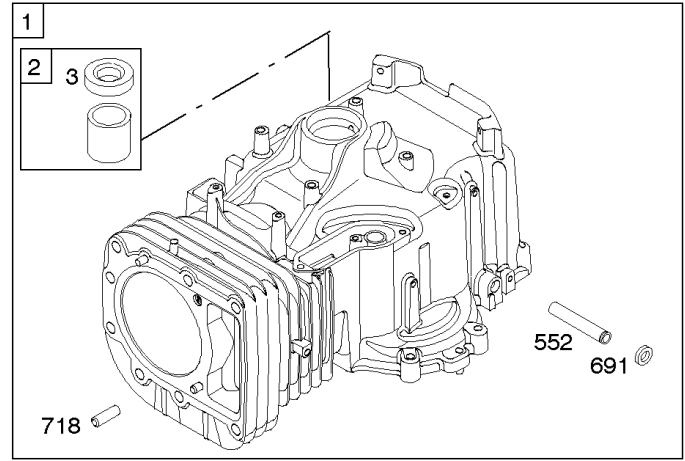
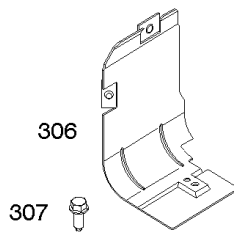
REF NO	PART NO	QTY	DESCRIPTION
1	591465	1	CYLINDER ASSEMBLY
2	797673	1	KIT, Bushing/Seal -(Magneto Side)
3	391086S	1	SEAL, Oil -(Magneto Side)
4A	592849	1	SUMP, Engine
7	794114	1	GASKET, Cylinder Head
9	697109	1	GASKET, Breather
11	794683	1	TUBE, Breather
12	697110	1	GASKET, Crankcase -(.015" Thick)(Standard)
15	690946	1	PLUG, Oil Drain -(Square Head)
16	596007	1	CRANKSHAFT
19	591010	1	KIT, Bushing/Seal -(PTO Side)
20	795387	1	SEAL, Oil -(PTO Side)
22	692125		SCREW -(Crankcase Cover/Sump)
24	591757	1	KEY, Flywheel
25	795858	1	PISTON ASSEMBLY -(Standard)
25	795877	1	PISTON ASSEMBLY -(.020 Oversize)
26	794126	1	SET, Ring -(Standard)
26	794127	1	SET, Ring -(.020 Oversize)
27	698469	1	LOCK, Piston Pin
28	594455	1	PIN, Piston -(1.81) -Used After Code Date 16021100
28	795861	1	PIN, Piston -(2.12) -Used Before Code Date 16021200
29	794571	1	ROD, Connecting
32	791118	2	SCREW -(Connecting Rod)
43	691968	1	SLINGER, Governor/Oil
45	690564	2	TAPPET, Valve
46	793880	1	CAMSHAFT
51	692137	1	GASKET-INTAKE
51A	796081	1	GASKET, Intake
306	794953	1	SHIELD, Cylinder
307	691693		SCREW -(Cylinder Shield)
358	796187	1	GASKET SET, Engine
377	691639	1	KEY, Woodruff
415	794903	1	PLUG
524	691032	1	SEAL, O-Ring
552	697144	1	BUSHING, Governor Crank
584	794682	1	COVER, Breather Passage -(Use with Liquid Sealant Reference 850)
617	692138	1	SEAL, O-Ring -(Intake Manifold)
684	697157	2	SCREW -(Breather Passage Cover)

1036 EMISSIONS LABEL

1319 WARNING LABEL

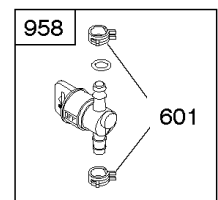
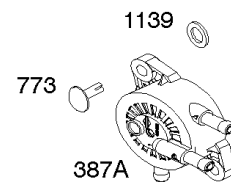
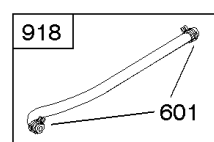
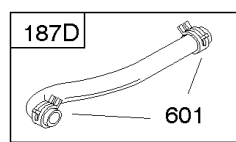
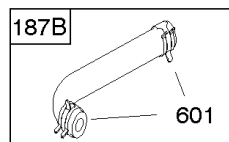
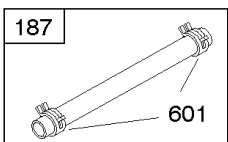
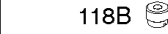
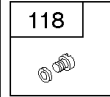
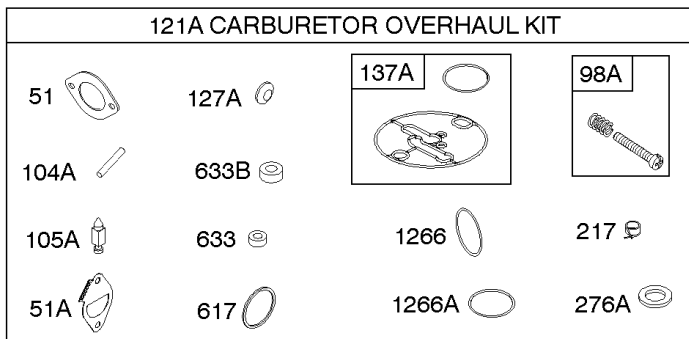
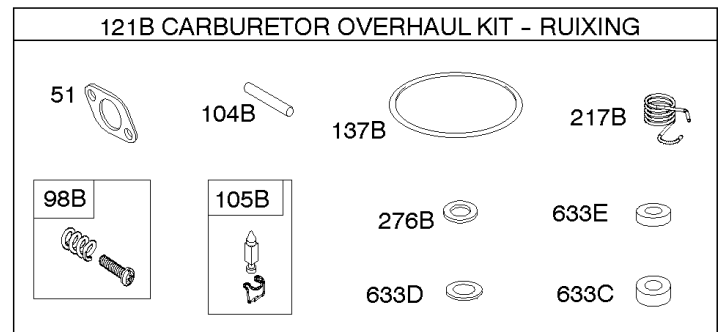
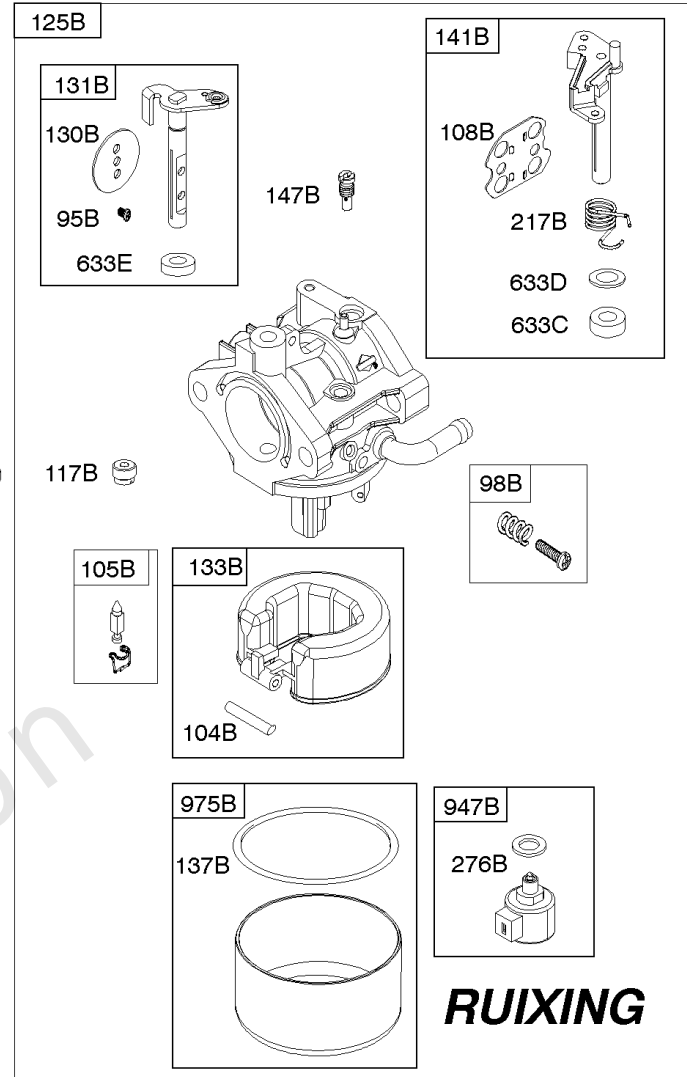
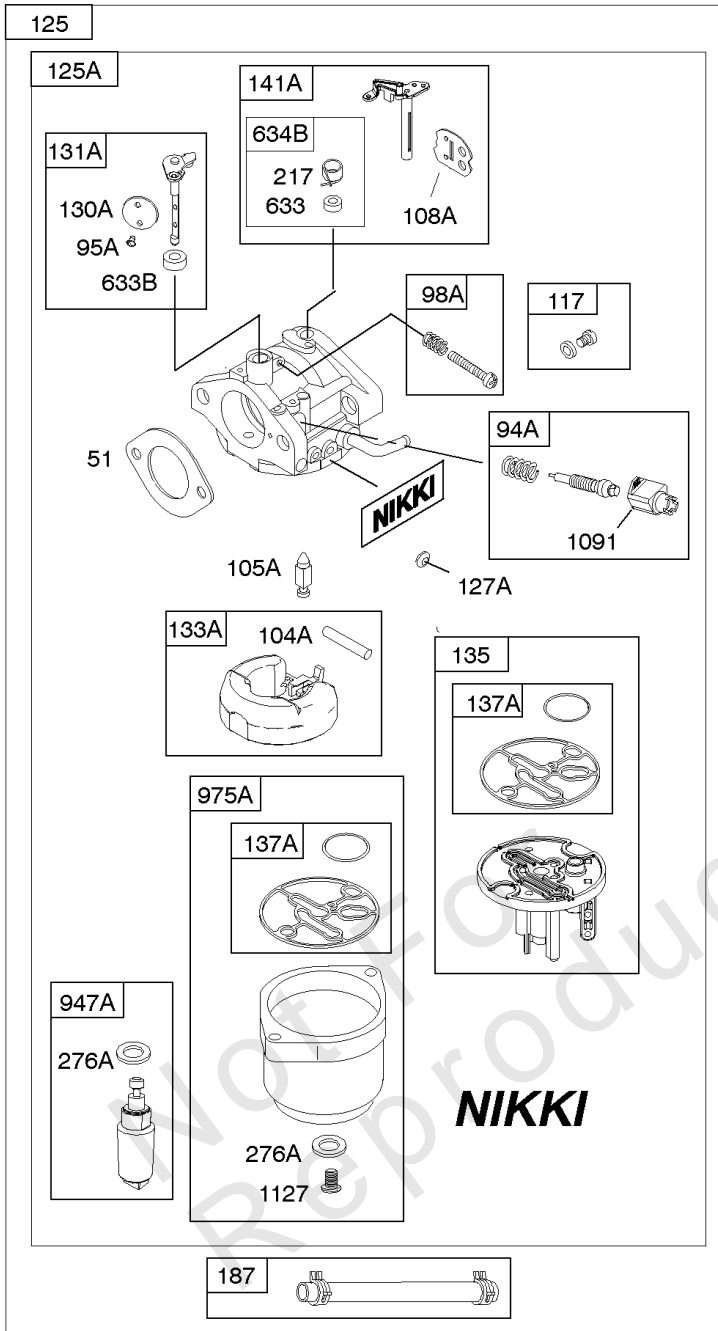
1319A WARNING LABEL

1319B WARNING LABEL



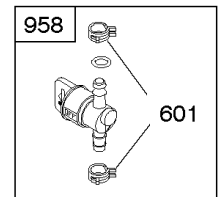
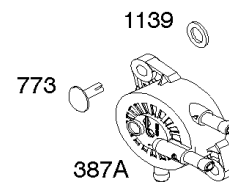
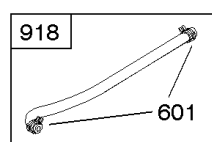
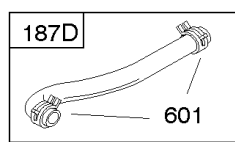
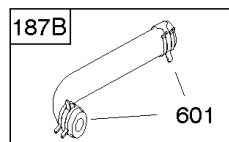
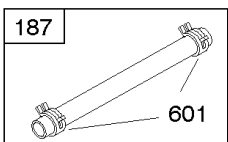
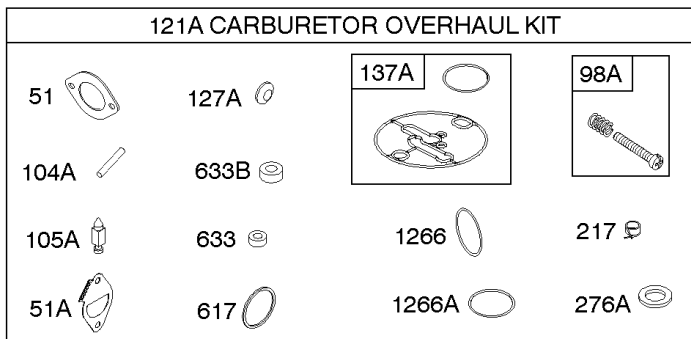
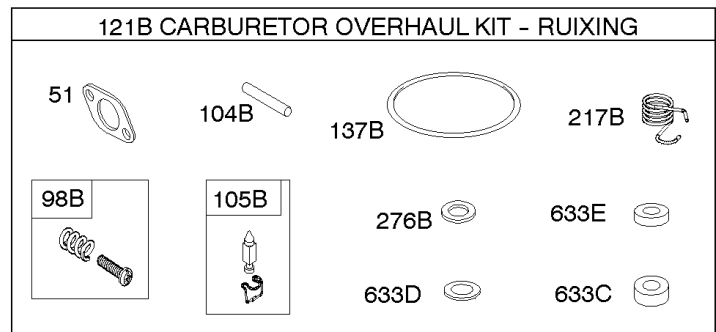
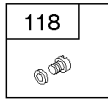
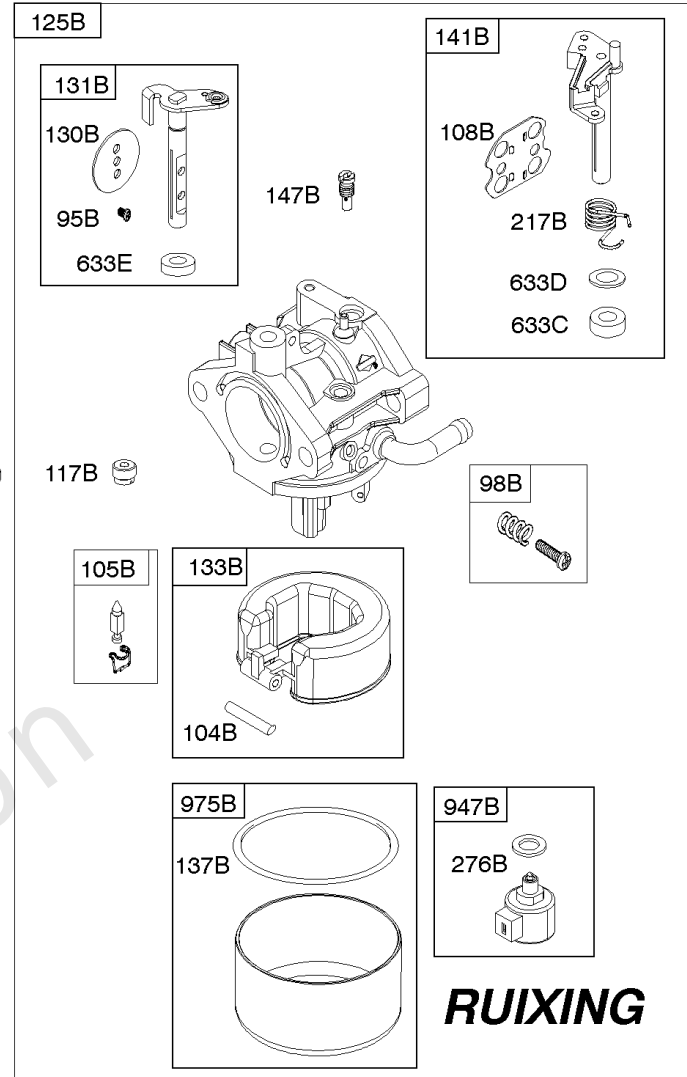
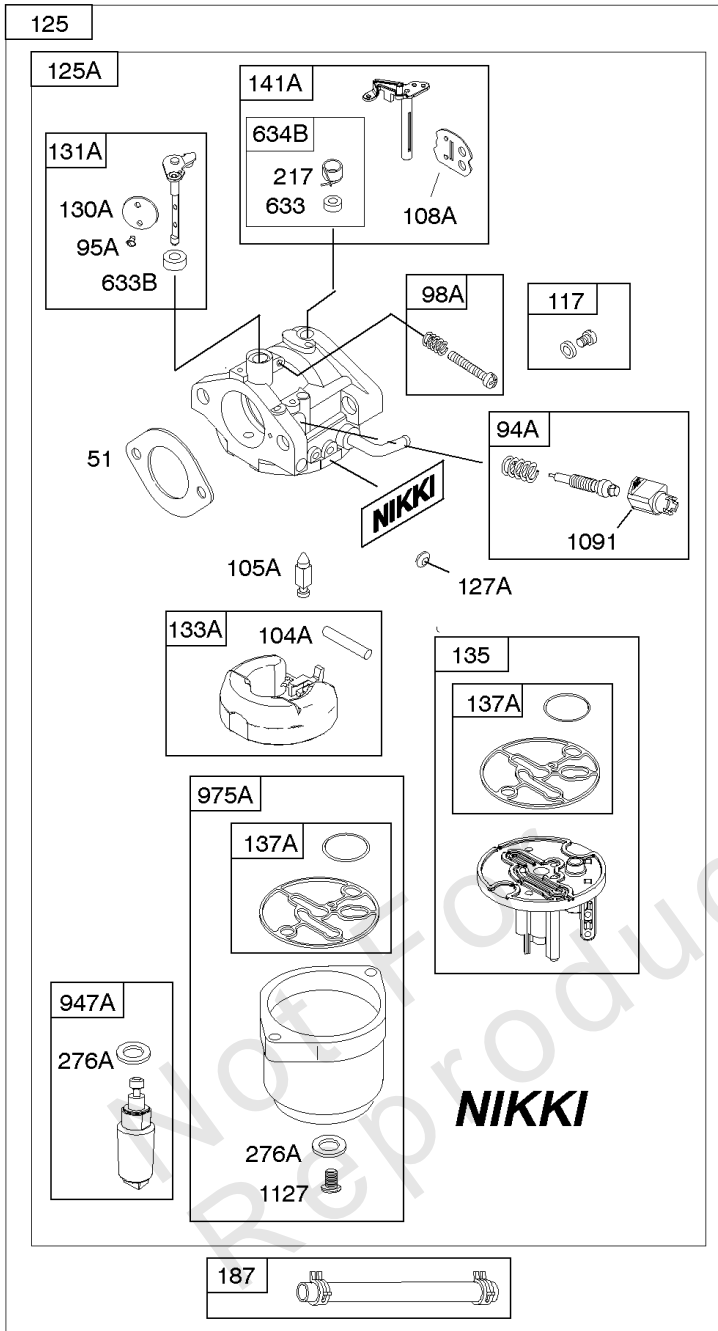
Camshaft, Crankshaft, Cylinder, Engine Sump, Gasket Set-Engine, Lubrication, Piston,

REF NO	PART NO	QTY	DESCRIPTION
691	692407	1	SEAL, Governor Shaft
718	690959	2	PIN, Locating
741	697128	1	GEAR, Timing
750	790832	3	SCREW -(Oil Pump Cover)
757	793242	2	LINK, Counterweight
758	793763	1	COUNTERWEIGHT
759	697392	2	PIN, Counterweight
842	691031	1	SEAL, O-Ring -(Dipstick Tube)
850	100106		SEALANT, Liquid
868	690968	1	SEAL, Valve
883	692236	1	GASKET, Exhaust
943	690589	1	SEAL, O-Ring -(Oil Pump Cover)
965	499613	1	COVER, Oil Pump
1017	796981	1	SCREEN, Oil Pump
1022	272475S	1	GASKET, Rocker Cover
1024A	794644	1	PUMP-OIL
1027	492932S	1	FILTER, Oil -(Standard)(Black)
1027	696854	1	FILTER, Oil -(Premium)(Yellow)
1036	-----		Seal-Choke/Throttle Shaft -(Available From A Briggs & Stratton Authorized Dealer)
1263	697124	1	REED, Breather
1264	697104	1	SCREW -(Breather Reed)
1266	691917	1	SEAL, O-Ring -(Intake Elbow)
1266A	697123	1	SEAL, O-Ring -(Intake Elbow)
1270	793243	1	PLUG, AVS Counterweight
1319	794467	1	LABEL, Warning
1319A	797669	1	LABEL, Warning
1319B	21786GS	1	LABEL, Warning



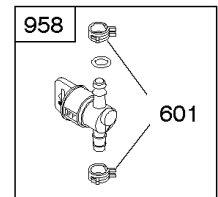
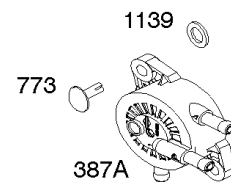
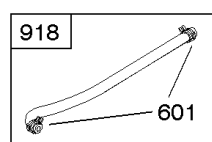
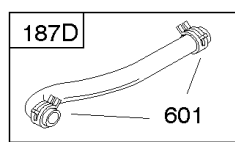
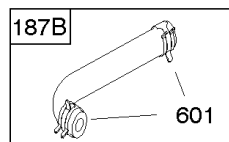
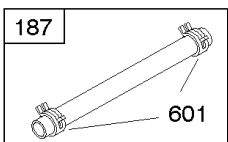
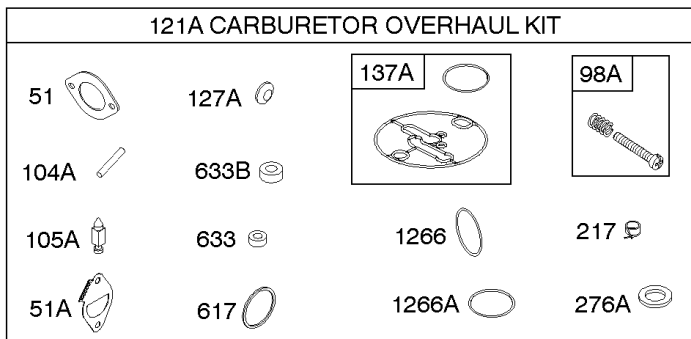
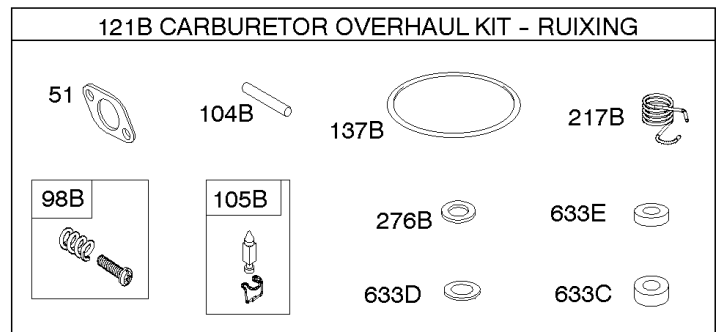
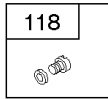
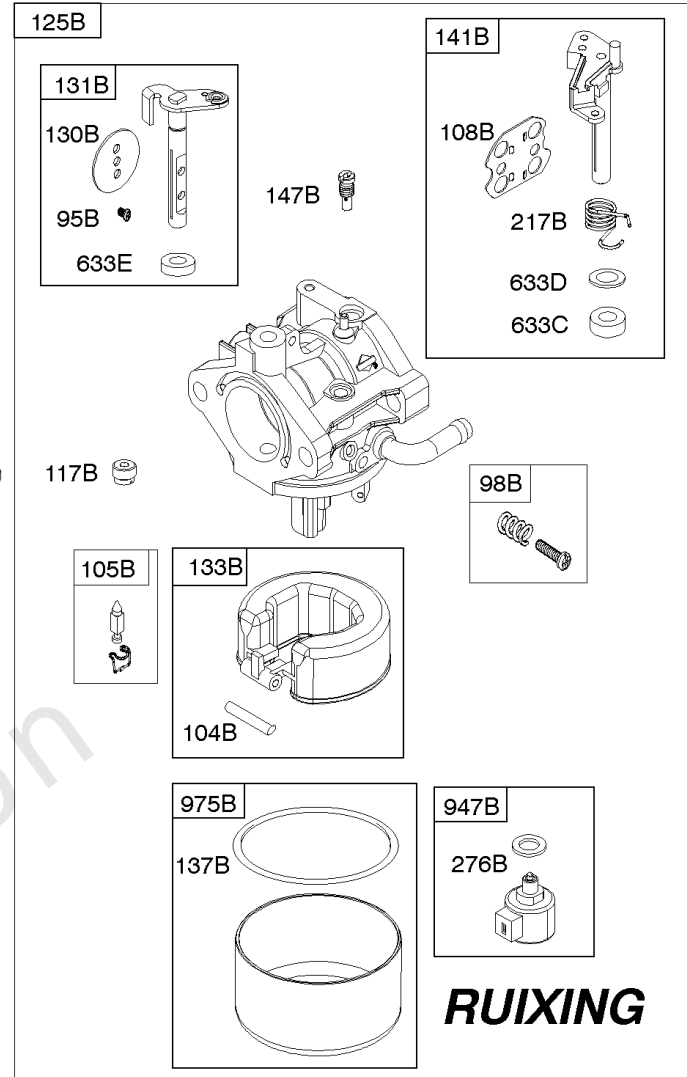
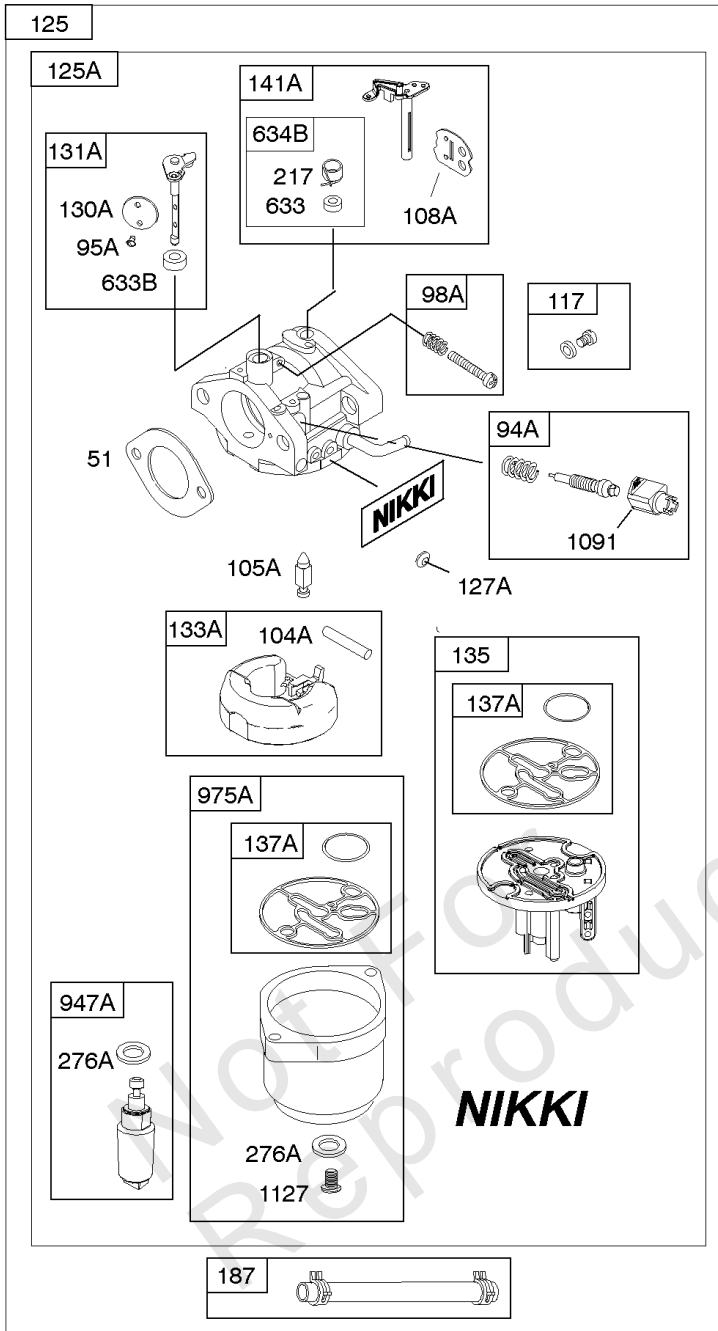
Carburetor, Fuel Supply, Kit-Carburetor Overhaul

REF NO	PART NO	QTY	DESCRIPTION
51	692137		GASKET-INTAKE
51A	796081		GASKET, Intake
94A	793610		KIT, Idle Mixture
95A	690718		SCREW -(Throttle Valve) (Nikki Carburetor) -Used Before Code Date 15122300
95B	593897		SCREW -(Throttle Valve) (Ruixing) -Used After Code Date 15122200
98A	695408		KIT, Idle Speed -(Nikki Carburetor) -Used Before Code Date 15122300
98B	846817		KIT, Idle Speed -(Ruixing) -Used After Code Date 15122200
104A	694918		PIN, Float Hinge -(Nikki Carburetor) -Used Before Code Date 15122300
104B	594860		PIN, Float Hinge -(Ruixing) -Used After Code Date 15122200
105A	696136		VALVE, Float Needle -(Nikki Carburetor) -Used Before Code Date 15122300
105B	594868		VALVE, Float Needle -(Ruixing) -Used After Code Date 15122200
108A	698773		VALVE, Choke -(Nikki Carburetor) -Used Before Code Date 15122300
108B	594863		VALVE, Choke -(Ruixing) -Used After Code Date 15122200
117	791502		JET, Main -(Standard) (Nikki Carburetor) -Used After Code Date 15083100 -Used Before Code Date 15122300
117	796251		JET, Main -(Standard) -Used After Code Date 13082600 -Used Before Code Date 15090100
117B	594869		JET, Main -(Standard) (Ruixing) -Used After Code Date 15122200
118	699457		JET, Main -(High Altitude) (High Altitude) -Used After Code Date 15083100 -Used Before Code Date 15122300
118	791406		JET, Main -(High Altitude) (High Altitude) -Used After Code Date 13082600 -Used Before Code Date 15090100
118B	595068		JET, Main -(High Altitude) (High Altitude) -Used After Code Date 15122200
121A	796184		KIT, Carburetor Overhaul -(Nikki Carburetor) -Used Before Code Date 15122300
121B	594886		KIT, Carburetor Overhaul -(Ruixing) -Used After Code Date 15122200
125	591736		CARBURETOR -(, For Replacement See Reference 125B) -Used Before Code Date 15122300



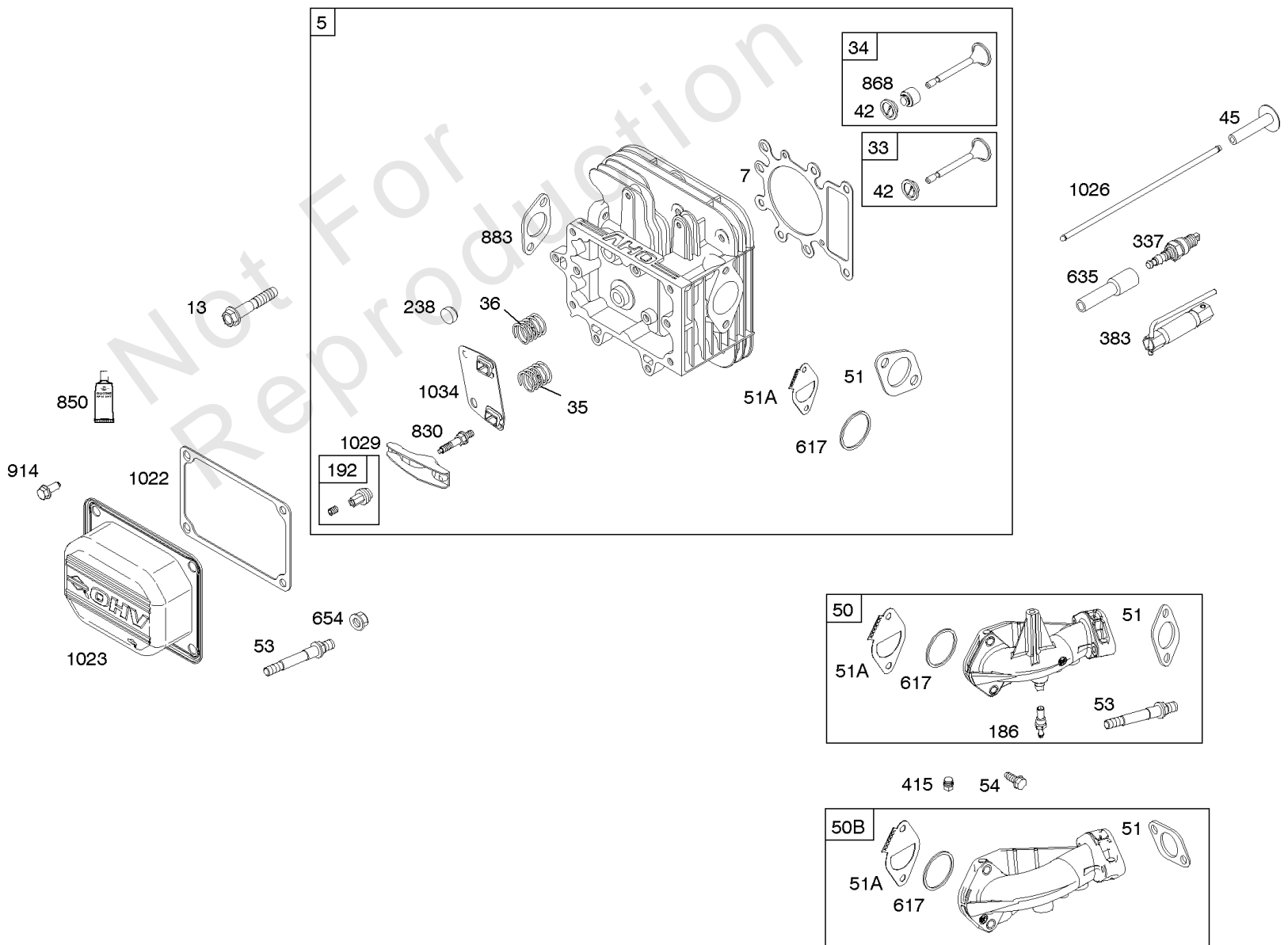
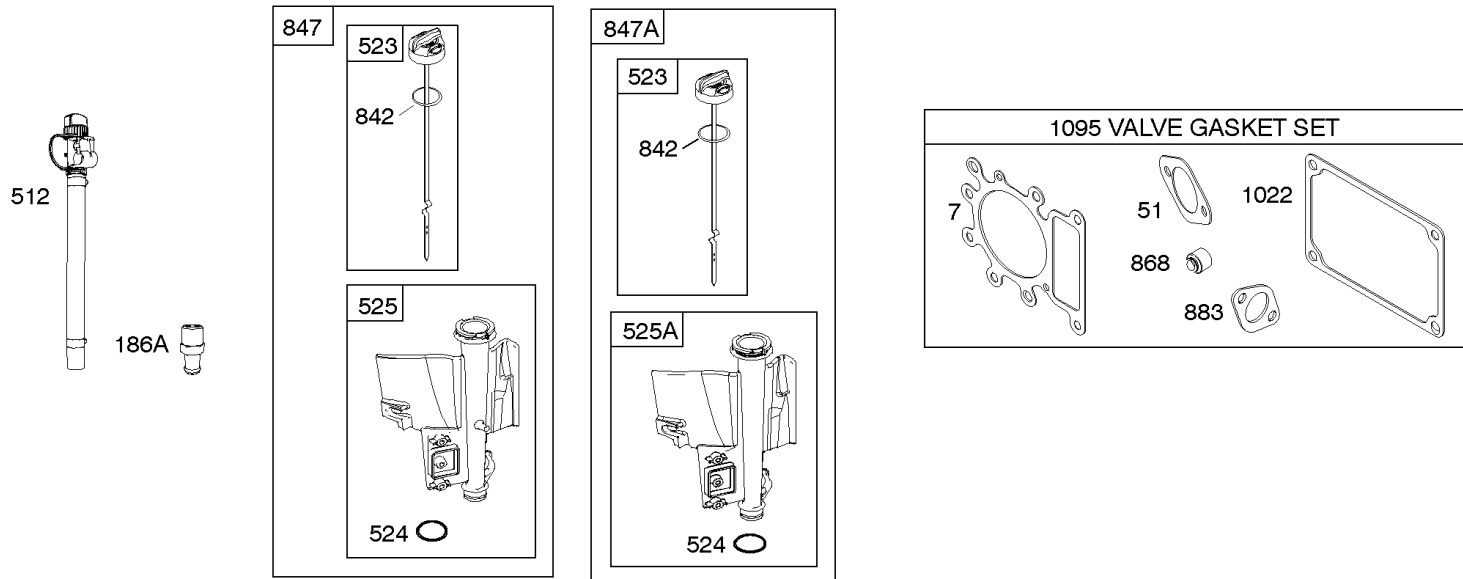
Carburetor, Fuel Supply, Kit-Carburetor Overhaul

REF NO	PART NO	QTY	DESCRIPTION
125	591736		CARBURETOR -(, For Replacement See Reference 125B) -Used After Code Date 13082600 -Used Before Code Date 15113000
125A	593003		CARBURETOR -(, For Replacement See Reference 125B) -Used Before Code Date 13082700
125B	594601		CARBURETOR -(Ruixing) -Used After Code Date 15122200
127A	690727		PLUG, Welch
130A	792747		VALVE, Throttle -(Nikki Carburetor) -Used Before Code Date 15122300
130B	594858		VALVE, Throttle -(Ruixing) -Used After Code Date 15122200
131A	792765		KIT, Throttle Shaft -(Nikki Carburetor) -Used Before Code Date 15122300
131B	594856		KIT, Throttle Shaft -(Ruixing) -Used After Code Date 15122200
133A	694914		FLOAT, Carburetor -(Nikki Carburetor) -Used Before Code Date 15122300
133B	594859		FLOAT, Carburetor -(Ruixing) -Used After Code Date 15122200
135	698780		TUBE, Fuel Transfer
137A	698781		GASKET, Float Bowl -(Nikki Carburetor) -Used Before Code Date 15122300
137B	594861		GASKET, Float Bowl -(Ruixing) -Used After Code Date 15122200
141A	698778		KIT, Choke Shaft -(Nikki Carburetor) -Used Before Code Date 15122300
141B	594862		KIT, Choke Shaft -(Ruixing) -Used After Code Date 15122200
147B	594874		JET, Pilot -(Ruixing) -Used After Code Date 15112900
187	791766		LINE, Fuel -(15" Long)(Cut to Required Length)
187B	791805		LINE, Fuel -(Formed)(10-1/4" Long)(Cut to Required Length)
187D	791744		LINE, Fuel -(Formed)(14 Inches Long)(Cut To Required Length)
217	695409		SPRING, Choke Return -(Nikki Carburetor) -Used Before Code Date 15122300
217B	594864		SPRING, Choke Return -(Ruixing) -Used After Code Date 15122200
240	394358S		FILTER, Fuel -(White, 75 Microns)
240A	84005063		FILTER, Fuel
240C	845125		FILTER, Fuel -(Includes Paper Element With A 30 Micron Rating)



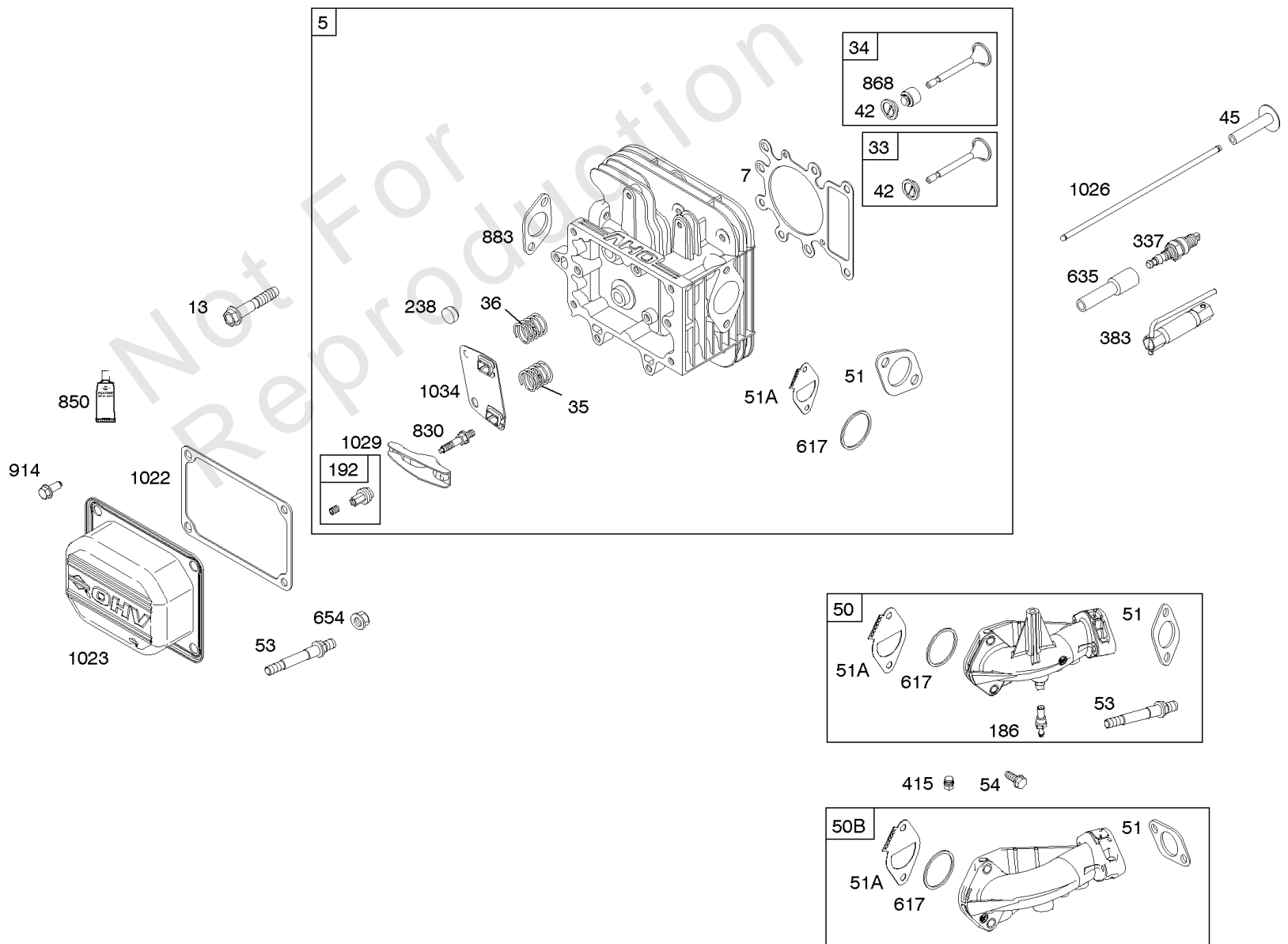
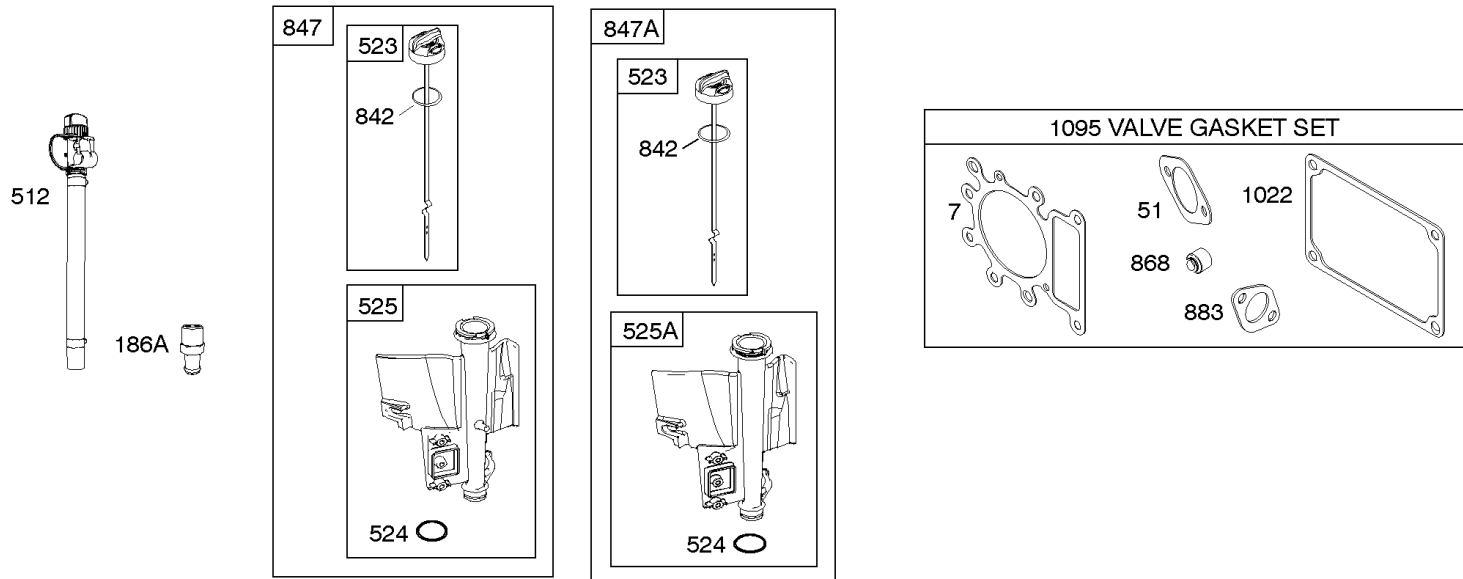
Carburetor, Fuel Supply, Kit-Carburetor Overhaul

REF NO	PART NO	QTY	DESCRIPTION
276A	695410		WASHER, Sealing -(Nikki Carburetor) -Used Before Code Date 15122300
276B	846640		WASHER, Sealing -(Ruixing) -Used After Code Date 15122200
387A	808656		PUMP, Fuel
559	697561		SCREW -(Remote Choke Stop)
559A	693675		SCREW -(Remote Choke Stop)
601	691038		CLAMP, Hose -(Black)
601	791850		CLAMP, Hose -(Green)
617	692138		SEAL, O-Ring -(Intake Manifold)
633	699813		SEAL, Choke/Throttle Shaft -(Nikki Carburetor) -Used Before Code Date 15122300
633B	690998		SEAL, Choke/Throttle Shaft -(Nikki Carburetor) -Used Before Code Date 15122300
633C	594866		SEAL, Choke/Throttle Shaft -(Ruixing) -Used After Code Date 15122200
633D	594865		SEAL, Choke/Throttle Shaft -(Ruixing) -Used After Code Date 15122200
633E	797629		SEAL, Choke/Throttle Shaft -(Ruixing) -Used After Code Date 15122200
634B	698779		SPRING/SEAL ASSEMBLY
773	796448		RETAINER
918	791851		HOSE, Vacuum
947A	699915		SOLENOID, Fuel -(Nikki Carburetor) -Used Before Code Date 15122300
947B	846639		SOLENOID, Fuel -(Ruixing) -Used After Code Date 15122200
958	698183		VALVE, Fuel Shut Off
975A	699502		BOWL, Float -(Nikki Carburetor) -Used Before Code Date 15122300
975B	594867		BOWL, Float -(Ruixing) -Used After Code Date 15122200
1091	691333		CAP, Limiter
1127	695407		SCREW -(Float Bowl) (Float Bowl to Carburetor Body)
1139	796449		WASHER -(Fuel Pump Bracket)
1266	691917		SEAL, O-Ring -(Intake Elbow)
1266A	697123		SEAL, O-Ring -(Intake Elbow)



Cylinder Head, Gasket Set-Valve, Intake Manifold, Valves

REF NO	PART NO	QTY	DESCRIPTION
5	591750		HEAD, Cylinder
7	794114		GASKET, Cylinder Head
13	592244		SCREW -(Cylinder Head) (5/16-18 x 2.69)
33	591752		VALVE, Exhaust
34	591751		VALVE, Intake
35	691279		SPRING, Valve -(Intake)
36	691279		SPRING, Valve -(Exhaust)
42	499586		KEEPER, Valve
45	690564		TAPPET, Valve
50	591248		MANIFOLD, Intake
50B	592842		MANIFOLD-INTAKE
51	692137		GASKET-INTAKE
51A	796081		GASKET, Intake
53	591260		STUD -(Carburetor)
54	691148		SCREW -(Intake Manifold)
186	794873		CONNECTOR, Hose
186A	796532		CONNECTOR, Hose
192	691986		ADJUSTER, Rocker Arm
238	691843		CAP, Valve
337	491055S		PLUG, Spark -(Resistor)
337	792015		PLUG, Spark -(Resistor EMS)
337	84007216		PLUG, SPARK -(China Only)
383	19576S		WRENCH, Spark Plug
415	794903		PLUG
512	594200		HOSE, Oil Drain
523	699908		DIPSTICK
524	691032		SEAL, O-Ring
525A	697184		TUBE, Dipstick -(Standard Dipstick Tube)
617	692138		SEAL, O-Ring -(Intake Manifold)
635	691909		BOOT, Spark Plug
654	690958		NUT -(Carburetor)
830	691095		STUD, Rocker Arm
842	691031		SEAL, O-Ring -(Dipstick Tube)
847A	790442		DIPSTICK/TUBE ASSEMBLY -(Standard Dipstick Tube)
850	100106		SEALANT, Liquid
868	690968		SEAL, Valve
883	692236		GASKET, Exhaust
914	691108		SCREW -(Rocker Cover)
1022	272475S		GASKET, Rocker Cover
1023	797421		COVER-ROCKER -(Use with Liquid Sealant Reference 850)



Cylinder Head, Gasket Set-Valve, Intake Manifold, Valves

REF NO	PART NO	QTY	DESCRIPTION
1026	692003		ROD, Push -(Intake)
1026	692011		ROD, Push -(Exhaust)
1029	691751		ARM, Rocker
1034	690822		GUIDE, Push Rod
1095	794152		GASKET SET, Valve

Not For Reproduction

Replacement Engine - US & Canada

REF NO	PART NO	QTY	DESCRIPTION
	33S8770019G1		Replacement Engine
	592058A	1	SB MODEL 33 VERT
	-----		Top No-Load Speed: 3300 -Trim: ALL
	-----		Service Note: Transfer Governor Spring to replacement engine.
	-----		Short Block Note: Engines Built Prior to 07/12/2012 should use short block 795446. Engines built on or after 07/12/2012 should use short block 592058.

Not For Reproduction

