



# Parts Manual

Mfg. No: 331877-1234-B1







---

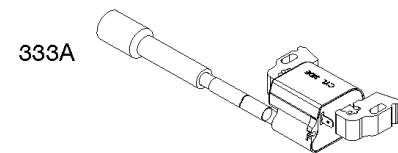
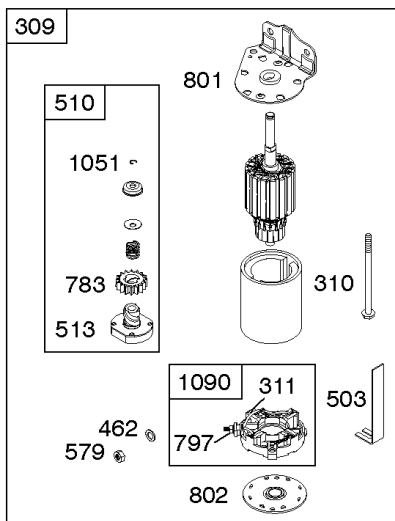
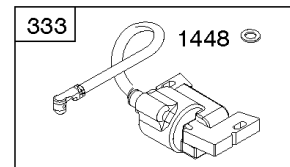
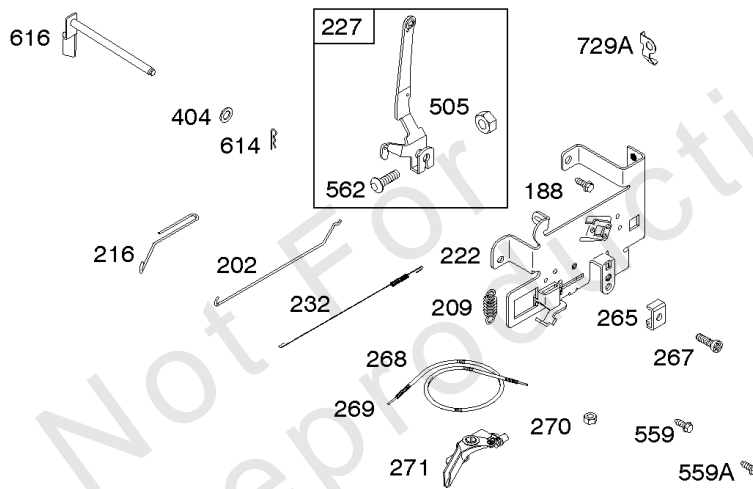
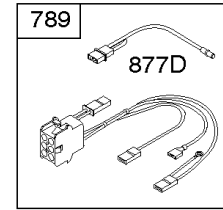
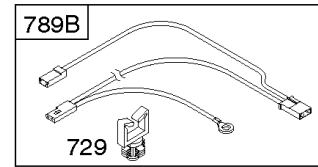
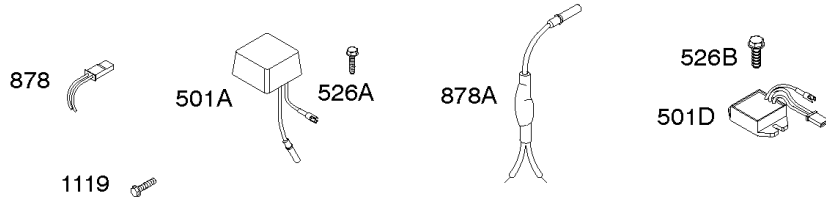
<b>Model Components</b>	<b>Page</b>
ALTERNATOR, CONTROLS, ELECTRIC STARTER, GOVERNOR SPRING, IGNITION.....	4
BLOWER HOUSING, EXHAUST SYSTEM, FLYWHEEL.....	8
CAMSHAFT, CRANKSHAFT, CYLINDER, ENGINE SUMP, GASKET SET - ENGINE, LUBRICATION, PISTON,	12
CARBURETOR - NIKKI & RUIXING, FUEL SUPPLY, GASKET SET - CARBURETOR - NIKKI & RUIXING.....	16
CYLINDER HEAD, GASKET SET - VALVE, INTAKE MANIFOLD, Oil Fill, VALVES.....	22
Replacement Engine - US & Canada.....	26

Not For  
Reproduction

# ALTERNATOR, CONTROLS, ELECTRIC STARTER, GOVERNOR SPRING, IGNITION

Mfg. No: 331877-1234-B1

DUAL CIRCUIT		5/9 AMP		TRI CIRCUIT		10/16 AMP	
474B	1059	474C	1059	474C	1059	474D	1059
							







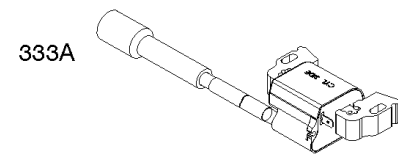
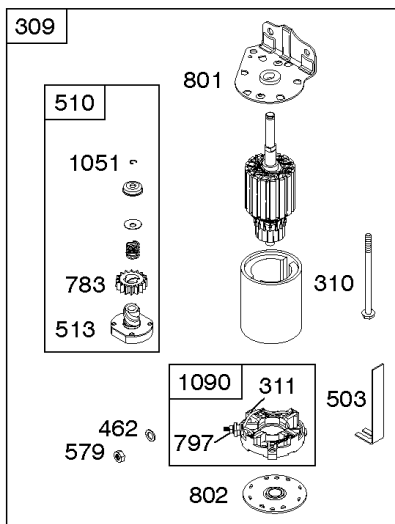
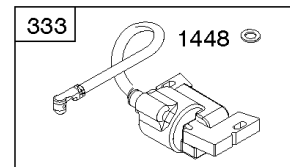
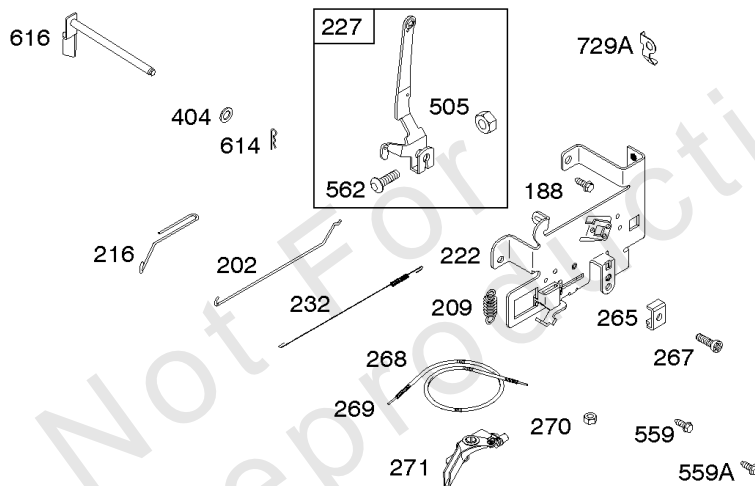
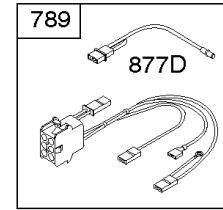
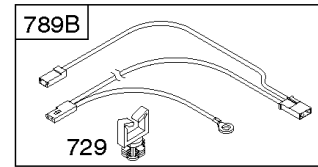
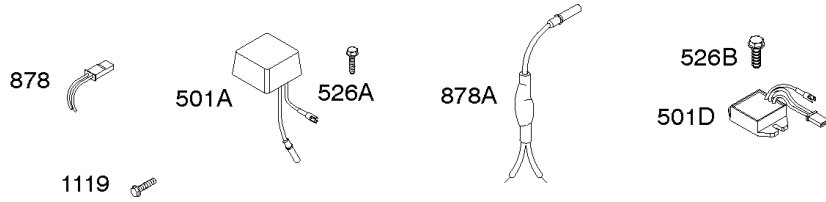
## ALTERNATOR, CONTROLS, ELECTRIC STARTER, GOVERNOR SPRING, IGNITION

REF NO	PART NO	QTY	DESCRIPTION
188	691693		SCREW -(Control Bracket)
202	691841		LINK, Mechanical Governor
209	796260		SPRING, Governor
216	691840		LINK, Choke
222	694042		BRACKET, Control
227	691374		LEVER, Governor Control
232	691842		SPRING, Governor Link
265	691024		CLAMP, Casing
267	794904		SCREW -(Casing Clamp)
268	691025		CASING, Control Wire -(Cut To Required Length)
269	691026		WIRE, Control -(Cut To Required Length)
270	691027		NUT -(Control Wire Casing)
271	691028		LEVER, Control
309	693551		MOTOR, Starter
310	690323		SCREW -(Starter Motor)
311	497608		SET, Brush
333	799650		ARMATURE, Magneto
334	691061		SCREW -(Magneto Armature)
356B	697089		WIRE, Stop
404	691691		WASHER -(Governor Crank)
462	691261		WASHER -(Starter Cable)
474B	592831		ALTERNATOR -(Dual Circuit)
501A	794360		REGULATOR -(5/9 Amp.)
501D	845907		REGULATOR -(10-16 AMP.)
503	691532		STRAP, Starter
505	691251		NUT -(Governor Control Lever)
510	693699		DRIVE, Starter
513	692024		CLUTCH, Drive
526A	697088		SCREW -(Regulator)
526B	697348		SCREW -(Regulator)
559	697561		SCREW -(Remote Choke Stop) (Length .375 Inches)
559A	693675		SCREW -(Remote Choke Stop) (Length .419 Inches)
562	691119		BOLT -(Governor Control Lever)
579	691029		NUT -(Starter Cable)
614	691620		PIN, Cotter
616	692012		CRANK, Governor
697	791680		SCREW -(Starter Motor) (Drive Cap)

# ALTERNATOR, CONTROLS, ELECTRIC STARTER, GOVERNOR SPRING, IGNITION

Mfg. No: 331877-1234-B1

DUAL CIRCUIT		5/9 AMP		TRI CIRCUIT		10/16 AMP	
474B	1059	474C	1059	474C	1059	474D	1059
							

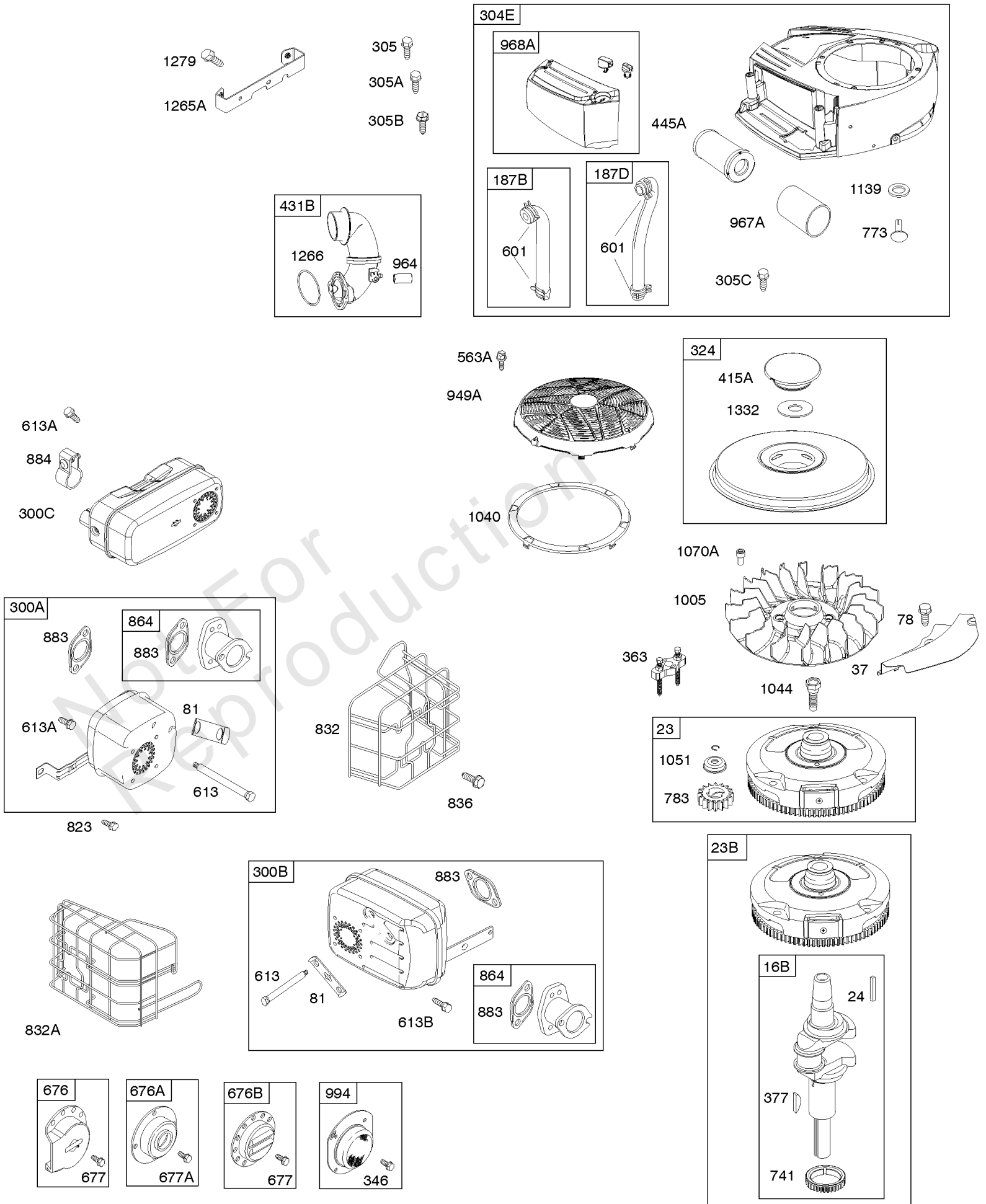


## **ALTERNATOR, CONTROLS, ELECTRIC STARTER, GOVERNOR SPRING, IGNITION**

<b>REF NO</b>	<b>PART NO</b>	<b>QTY</b>	<b>DESCRIPTION</b>
729	691335		CLIP, Wire
729A	691224		CLIP, Wire
783	593935		GEAR, Pinion
789	698329		HARNESS, Wiring
789B	692037		HARNESS-WIRING
797	693167		NUT -(Brush Retainer)
801	691283		CAP, Drive
802	691286		CAP, End
877	393456		WIRE/CONNECTOR, Alternator -(Dual Circuit)
877C	399916		WIRE/CONN-ALTERNATOR -(10 and 16 Amp Regulated)
877D	790544		WIRE/CONNECTOR, Alternator
878	398661		HARNESS, Wiring -(Dual Circuit)
878A	691955		HARNESS, Alternator -(Tri Circuit)
1051	691265		RING, Retaining
1059	698516		KIT, Screw/Washer
1090	691293		RETAINER, Brush
1119	691183		SCREW -(Alternator)
1448	690260		WASHER -(Magneto Armature)

# BLOWER HOUSING, EXHAUST SYSTEM, FLYWHEEL

Mfg. No: 331877-1234-B1



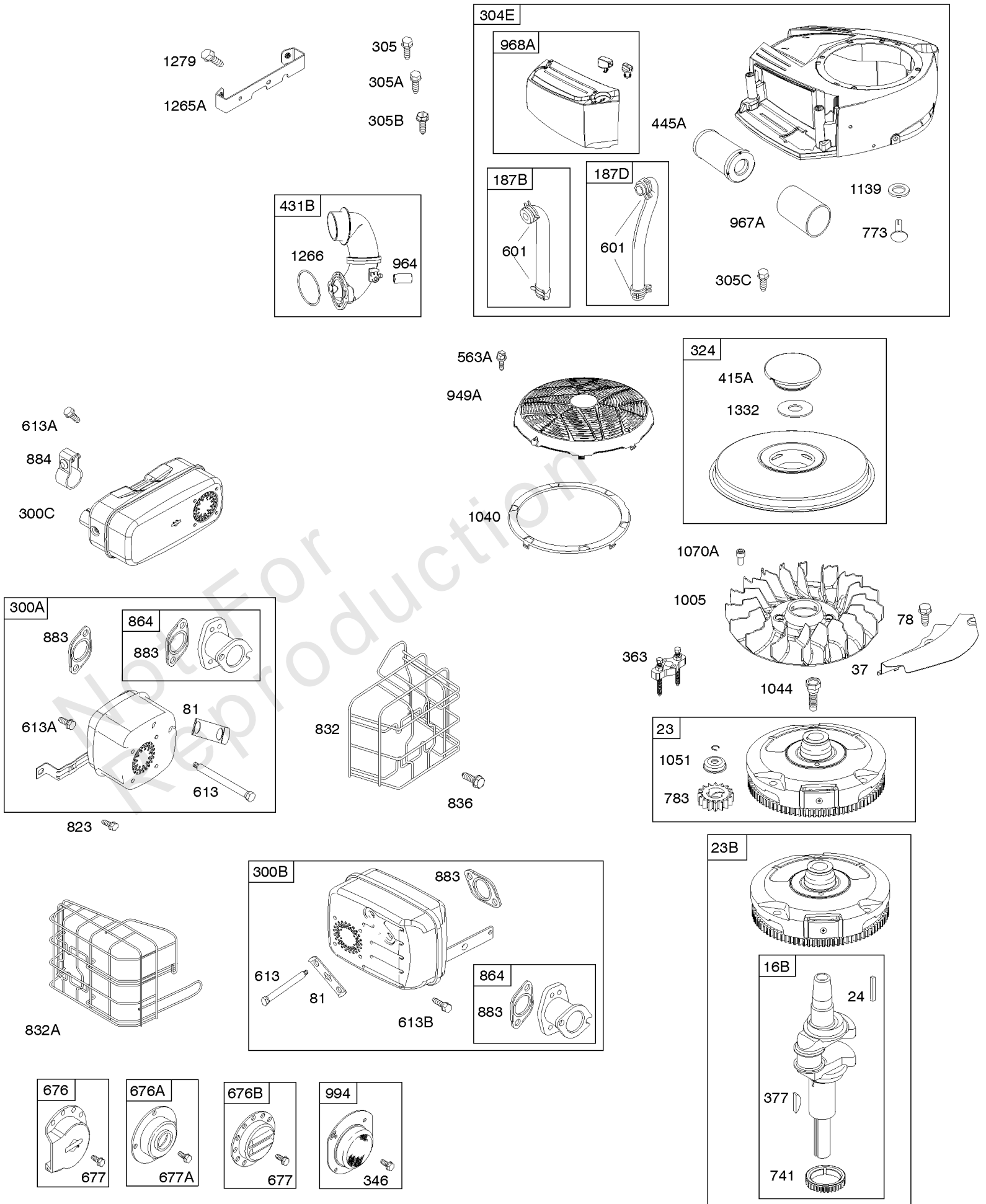


## BLOWER HOUSING, EXHAUST SYSTEM, FLYWHEEL

REF NO	PART NO	QTY	DESCRIPTION
16B	591948		CRANKSHAFT -(Angled Cut Keyway) -Used Before Code Date 12071800
23	693557		FLYWHEEL -(Straight Cut Keyway) -Used Before Code Date 12071800
24	591757		KEY, Flywheel -Used After Code Date 12071600
24	796335		KEY, Flywheel -Used Before Code Date 12071700
37	699882		GUARD, Flywheel
78	691693		SCREW -(Flywheel Guard)
81	691178		LOCK, Muffler Screw
187B	791805		LINE, Fuel -(Formed)(10-1/4" Long)(Cut to Required Length)
187D	791744		LINE, Fuel -(Formed)(14 Inches Long)(Cut To Required Length)
300A	795998		MUFFLER
300B	795997		MUFFLER
304E	592814		HOUSING-BLOWER -(Black-Compatible With Canister Style Filter)
305	697102		SCREW -(Blower Housing)
305A	793376		SCREW -(Blower Housing)
305C	799370		SCREW -(Blower Housing)
305B	795891		SCREW -(Blower Housing) (Blower Housing to Elbow)
324	796309		SCREEN/CUP ASSEMBLY
346	794845		SCREW -(Spark Arrestor)
363	19203		PULLER, Flywheel
377	691639		KEY, Woodruff
415A	794129		COVER, Flywheel -(Cover/Retainer)
431B	799043		MANIFOLD, Intake
445A	793569		FILTER, A/C Cartridge
563A	799359		SCREW -(Debris Screen Guard)
601	791850		CLAMP, Hose
613	691416		SCREW -(Muffler)
613A	691678		SCREW -(Muffler)
613B	690297		SCREW -(Muffler)
676	795036		DEFLECTOR, Muffler
676A	396903		DEFLECTOR, Muffler
676B	795038		DEFLECTOR, Muffler
677	794845		SCREW -(Muffler Deflector)
677A	690661		SCREW -(Muffler Deflector)
741	697128		GEAR, Timing
773	796448		RETAINER
783	593935		GEAR, Pinion

# BLOWER HOUSING, EXHAUST SYSTEM, FLYWHEEL

Mfg. No: 331877-1234-B1



## **BLOWER HOUSING, EXHAUST SYSTEM, FLYWHEEL**

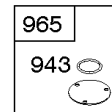
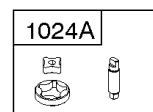
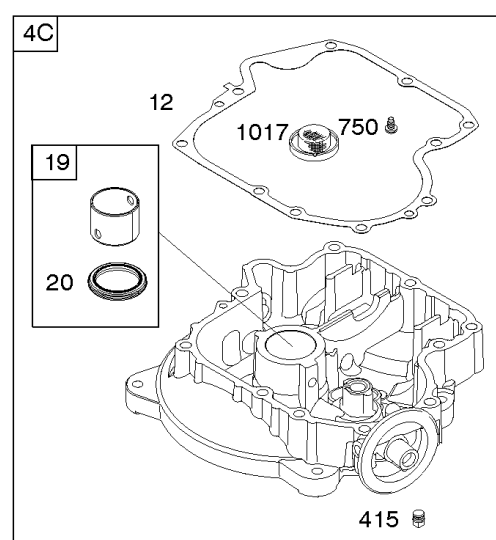
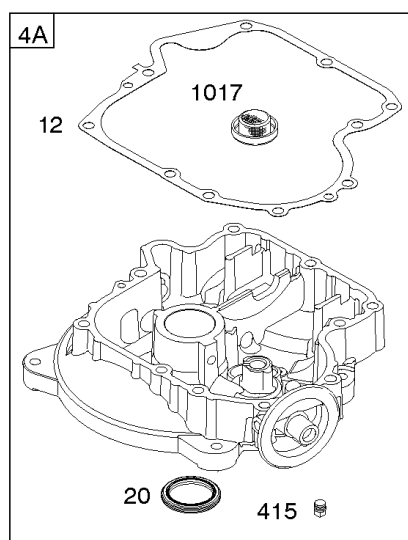
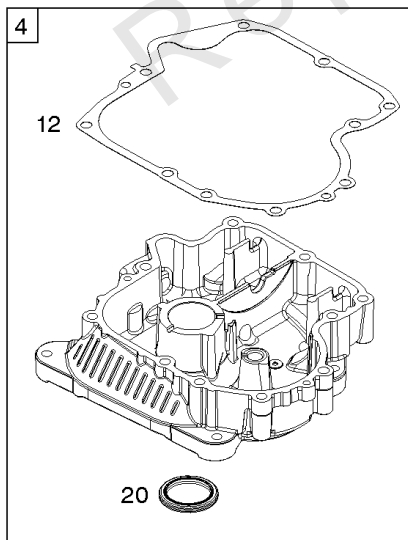
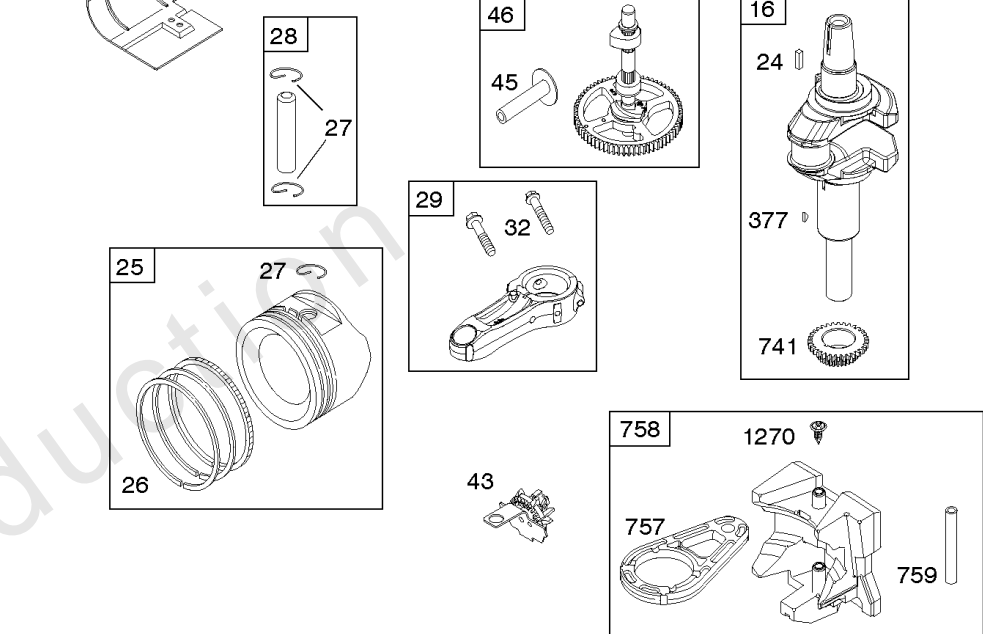
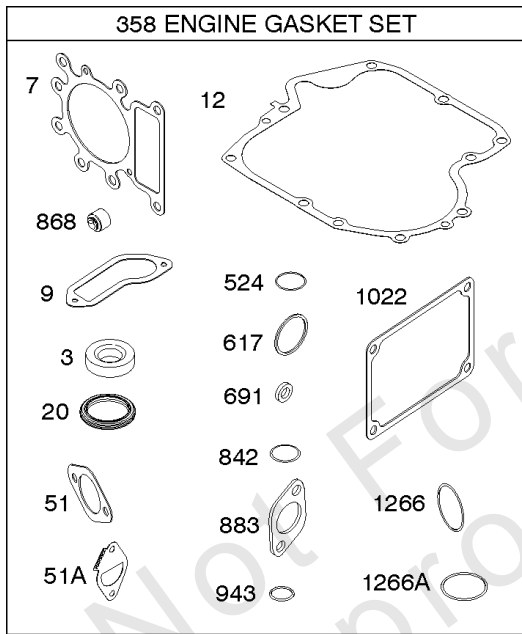
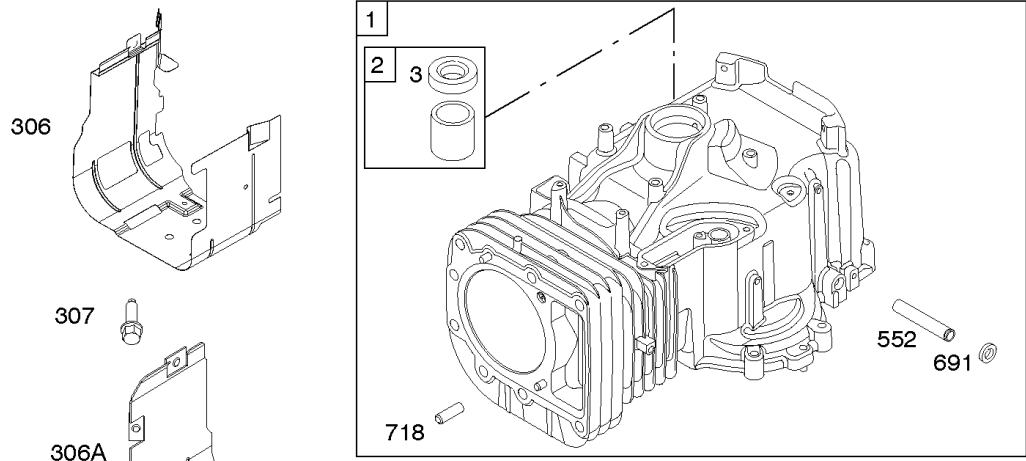
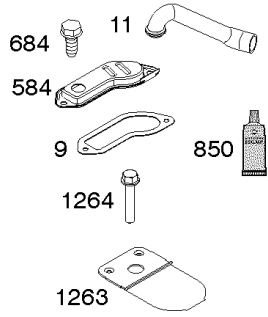
REF NO	PART NO	QTY	DESCRIPTION
832A	595029		GUARD, Muffler
836	690367		SCREW -(Muffler Guard)
864	796002		ADAPTER, Muffler -(2 1/4" Long)
883	692236		GASKET, Exhaust
884	691956		CLAMP, Muffler
949A	799358		GUARD, Debris Screen
964	799159		CAP, Connector
967A	793685		FILTER, Pre Cleaner
968A	591648		COVER-AIR CLEANER -(Black-Compatible With Canister Style Filter)
994	794945		ARRESTOR, Spark
1005	796084		FAN, Flywheel
1040	698368		PLATE, Trim
1044	698139		SCREW -(Flywheel)
1051	691265		RING, Retaining
1070A	690363		SCREW -(Flywheel Fan)
1139	796449		WASHER -(Fuel Pump Bracket)
1265A	794151		SUPPORT, Blower Housing
1266	691917		SEAL, O-Ring -(Intake Elbow)
1279	691108		SCREW -(Blower Housing Support)
1332	591991		WASHER -(Rotating Screen)

# CAMSHAFT, CRANKSHAFT, CYLINDER, ENGINE SUMP, GASKET SET - ENGINE,

Mfg. No: 331877-1234-B1

1036 EMISSIONS LABEL

1319 WARNING LABEL



**CAMSHAFT, CRANKSHAFT, CYLINDER, ENGINE SUMP, GASKET SET - ENGINE,**

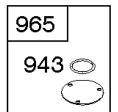
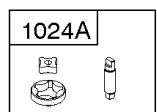
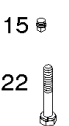
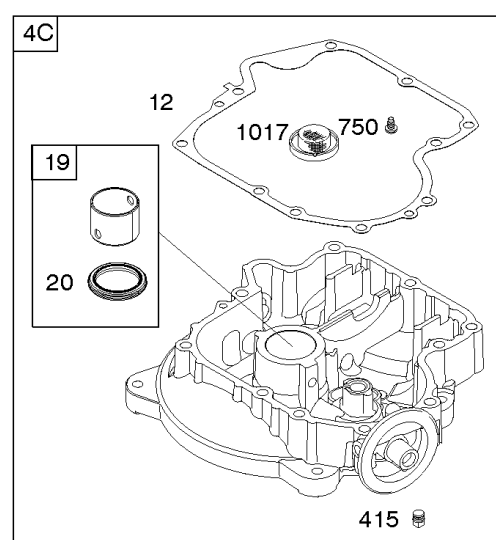
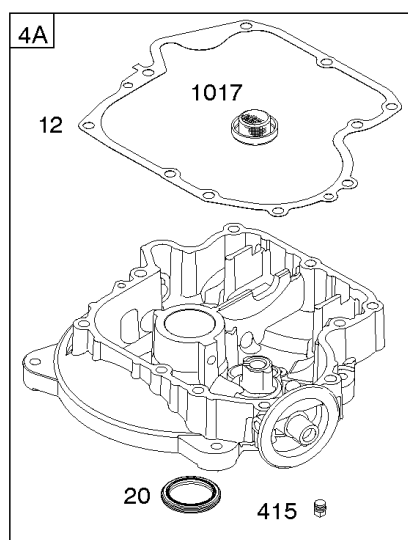
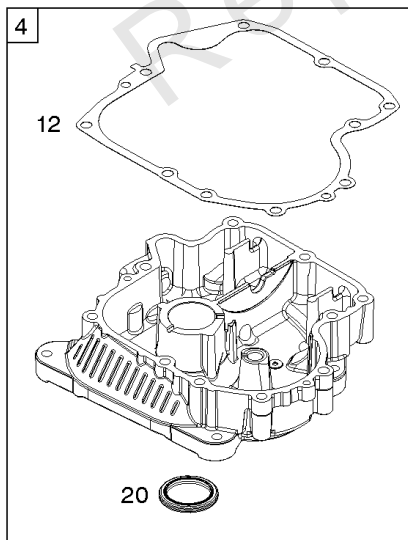
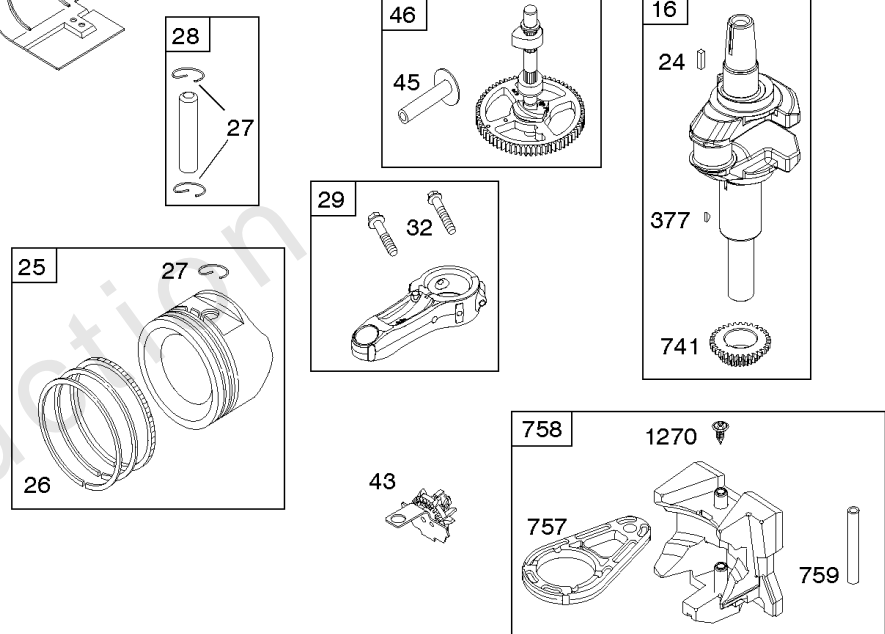
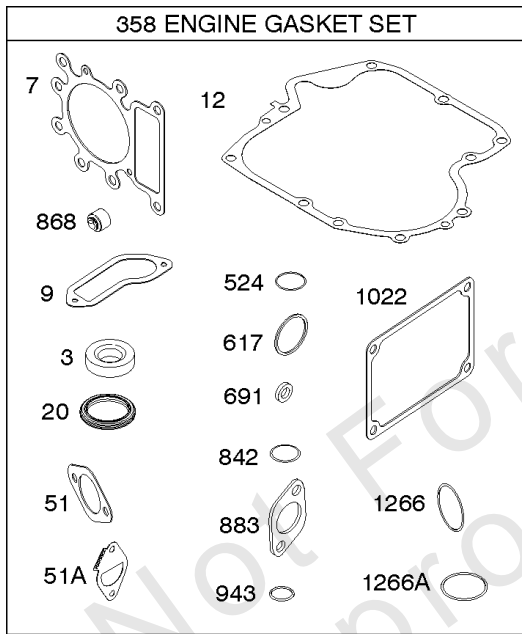
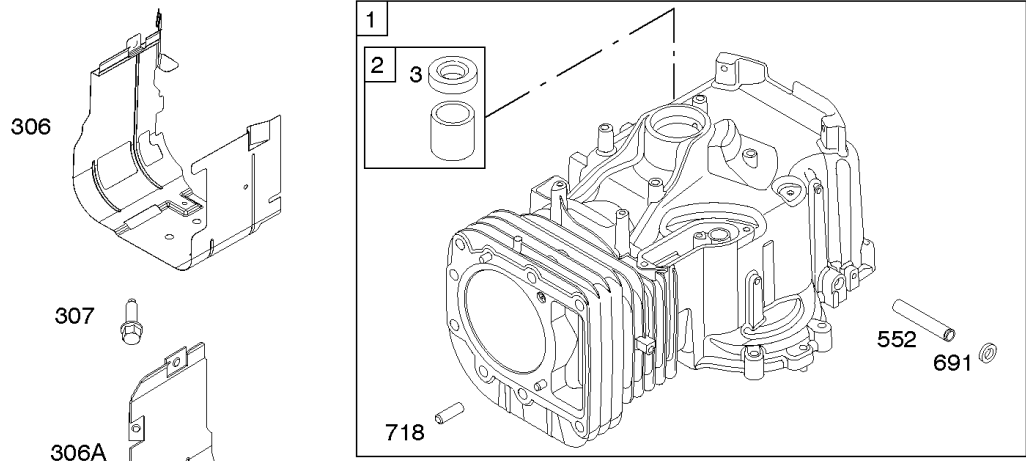
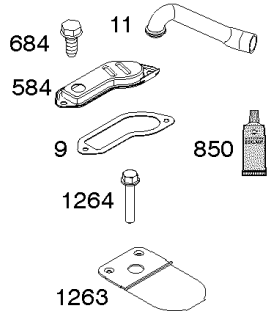
REF NO	PART NO	QTY	DESCRIPTION
1	591465		CYLINDER ASSEMBLY
2	797673		KIT, Bushing/Seal -(Magneto Side)
3	391086S		SEAL, Oil -(Magneto Side)
4A	592849		SUMP, Engine
7	794114		GASKET, Cylinder Head
9	697109		GASKET, Breather -(After Date Code Use Liquid Sealant Reference 850) -Used Before Code Date 07071900
11	794683		TUBE, Breather
12	697110		GASKET, Crankcase -(.015" Thick)(Standard)
15	690946		PLUG, Oil Drain -(Square Head)
16	596007		CRANKSHAFT -(Angled Cut Keyway) -Used After Code Date 12071700
16	797585		CRANKSHAFT -(Straight Cut Keyway) -Used Before Code Date 12071800
19	591010		KIT, Bushing/Seal -(PTO Side)
20	795387		SEAL, Oil -(PTO Side)
22	692125		SCREW -(Crankcase Cover/Sump)
24	796335		KEY, Flywheel -Used Before Code Date 12071700
24	591757		KEY, Flywheel -Used After Code Date 12071600
25	795877		PISTON ASSEMBLY -(.020 Oversize)
25	795858		PISTON ASSEMBLY -(Standard)
26	794127		SET, Ring -(.020 Oversize)
26	794126		SET, Ring -(Standard)
27	698469		LOCK, Piston Pin
28	794143		PIN, Piston -(Standard) -Used Before Code Date 08100700
28	795861		PIN, Piston -(Standard) -Used After Code Date 08100600
29	794571		ROD, Connecting -(Standard)
32	791118		SCREW -(Connecting Rod)
43	691968		SLINGER, Governor/Oil
45	690564		TAPPET, Valve
46	793880		CAMSHAFT
51	692137		GASKET-INTAKE
51A	796081		GASKET, Intake
306A	794953		SHIELD, Cylinder
307	691693		SCREW -(Cylinder Shield)
358	796187		GASKET SET, Engine

# CAMSHAFT, CRANKSHAFT, CYLINDER, ENGINE SUMP, GASKET SET - ENGINE,

Mfg. No: 331877-1234-B1

1036 EMISSIONS LABEL

1319 WARNING LABEL

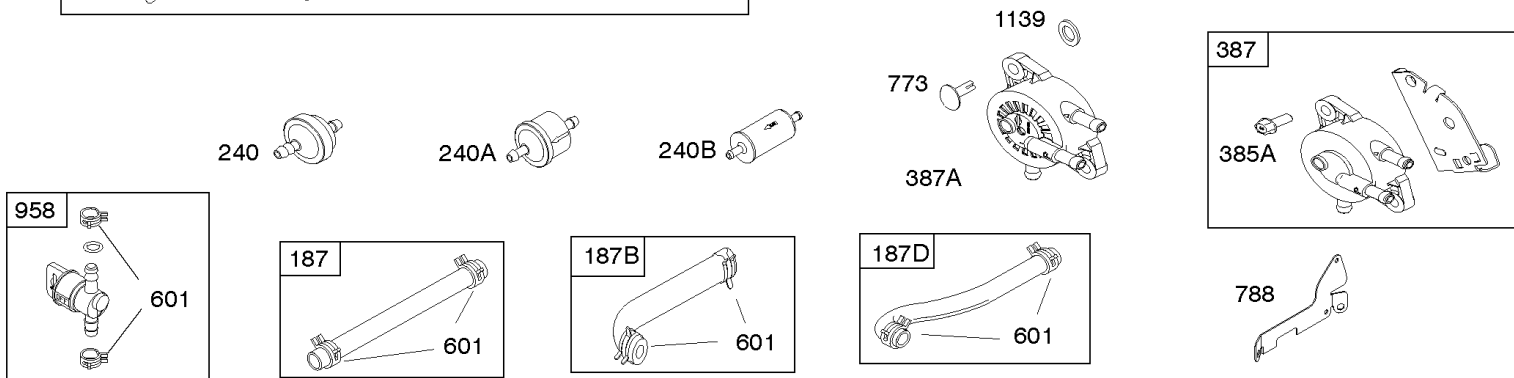
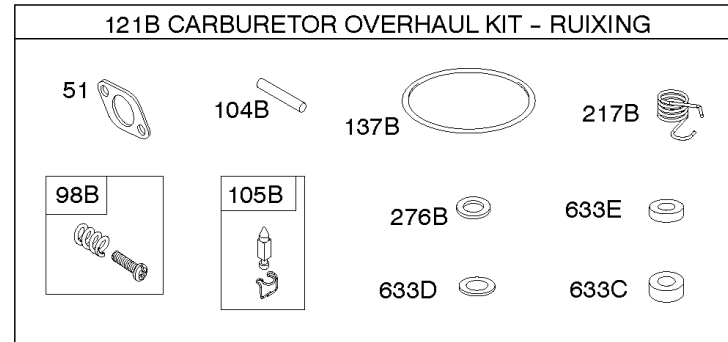
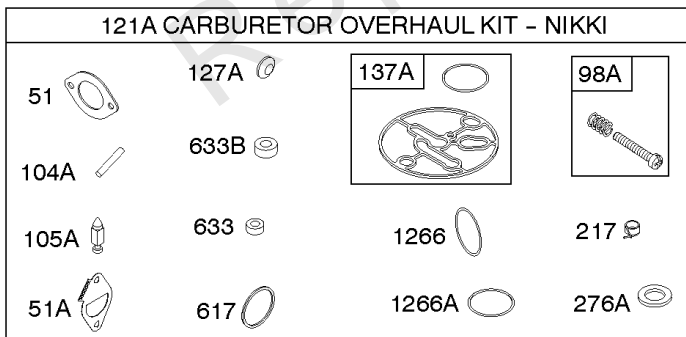
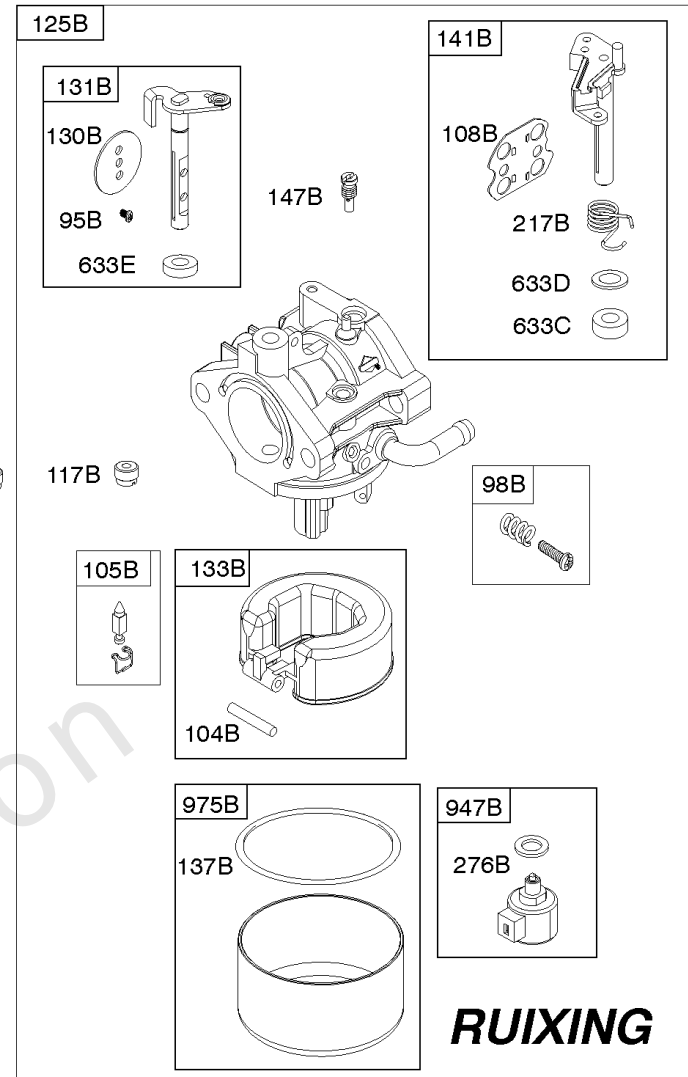
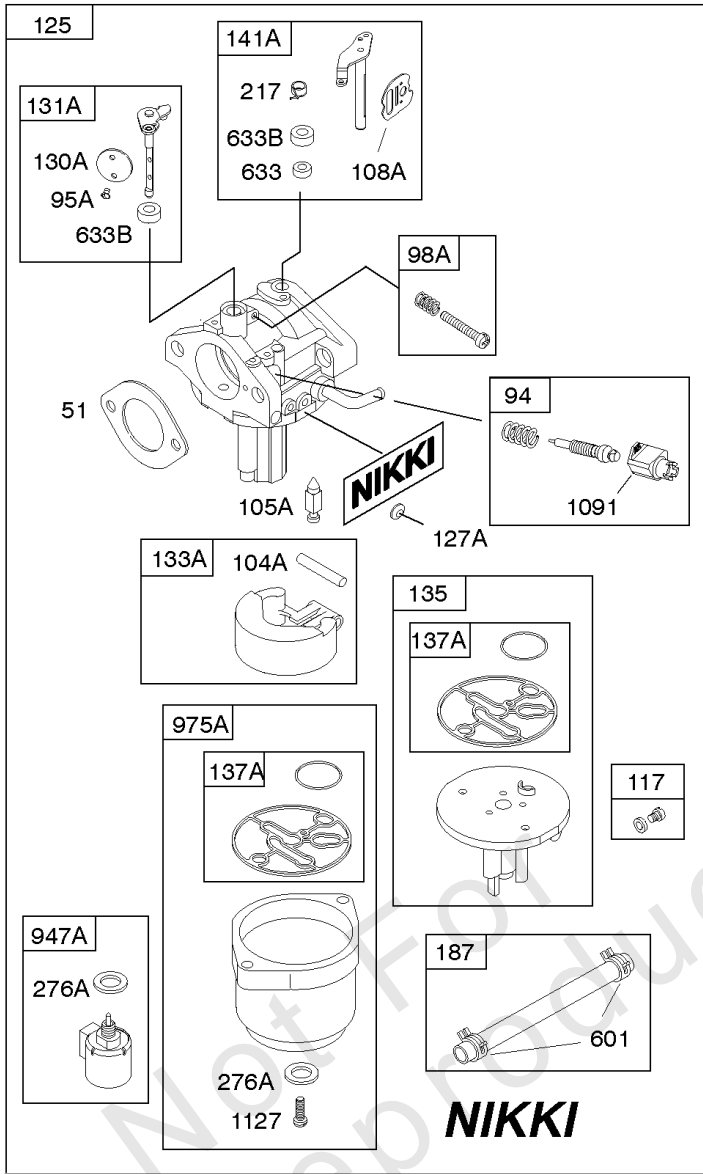


## CAMSHAFT, CRANKSHAFT, CYLINDER, ENGINE SUMP, GASKET SET - ENGINE,

REF NO	PART NO	QTY	DESCRIPTION
377	691639		KEY, Woodruff
415	794903		PLUG
524	691032		SEAL, O-Ring
552	697144		BUSHING, Governor Crank
584	794682		COVER, Breather Passage -(Use with Liquid Sealant Reference 850)
617	692138		SEAL, O-Ring -(Intake Manifold)
684	697157		SCREW -(Breather Passage Cover)
691	692407		SEAL, Governor Shaft
718	690959		PIN, Locating
741	697128		GEAR, Timing
750	790832		SCREW -(Oil Pump Cover)
757	793242		LINK, Counterweight
758	793763		COUNTERWEIGHT
759	697392		PIN, Counterweight
842	691031		SEAL, O-Ring -(Dipstick Tube)
850	100106		SEALANT, Liquid -(Rocker Cover Gasket and Breather Gasket) -Used After Code Date 07071800
868	690968		SEAL, Valve
883	692236		GASKET, Exhaust
943	690589		SEAL, O-Ring -(Oil Pump Cover)
965	499613		COVER, Oil Pump
1017	796981		SCREEN, Oil Pump
1022	272475S		GASKET, Rocker Cover -(After Date Code Use Liquid Sealant Reference 850) -Used Before Code Date 07091000
1024A	794644		PUMP-OIL
1027	696854		FILTER, Oil -(Premium)(Yellow)
1027	492932S		FILTER, Oil -(Standard)(Black)
1032	491710		SPRING, Compression -Used Before Code Date 04062800
1036	-----		Label-Emissions -(Available From A Briggs & Stratton Authorized Dealer)
1263	697124		REED, Breather
1264	697104		SCREW -(Breather Reed)
1266	691917		SEAL, O-Ring -(Intake Elbow)
1266A	697123		SEAL, O-Ring -(Intake Elbow)
1270	793243		PLUG, AVS Counterweight
1319	794467		LABEL, Warning

# CARBURETOR - NIKKI & RUIXING, FUEL SUPPLY, GASKET SET - CARBURETOR -

Mfg. No: 331877-1234-B1



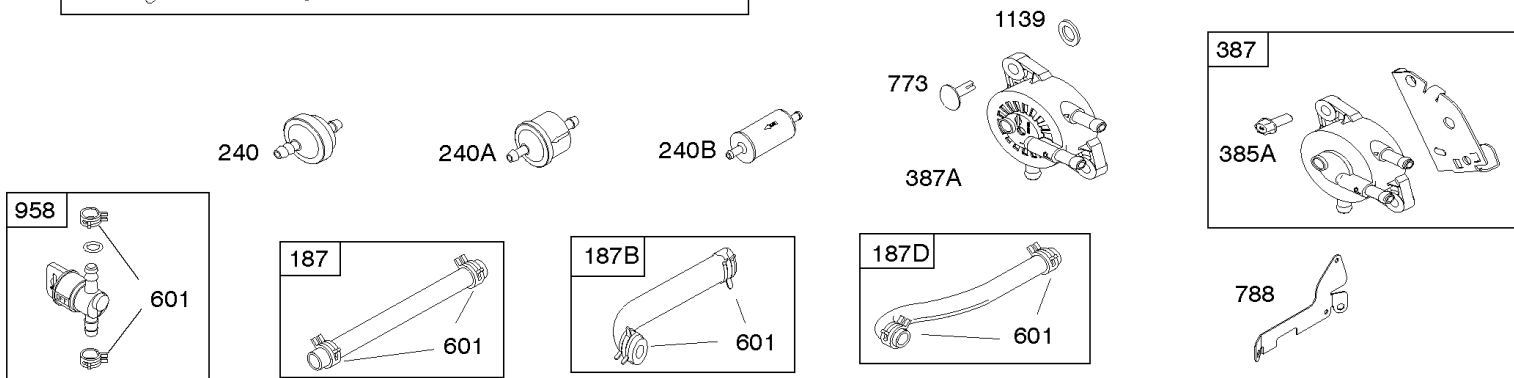
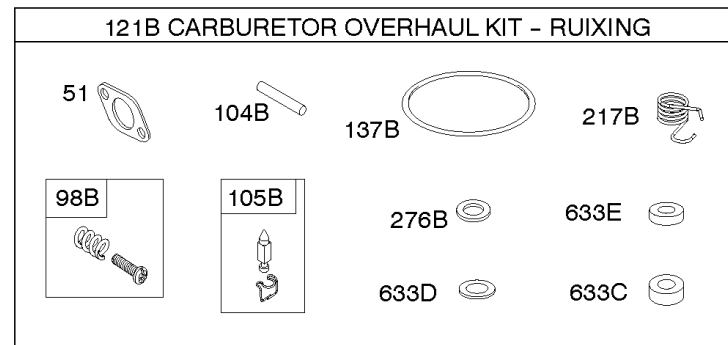
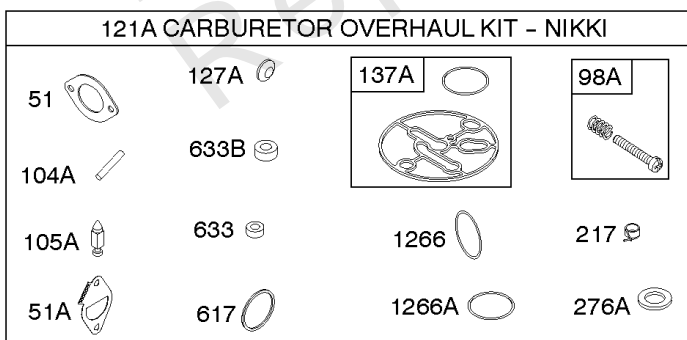
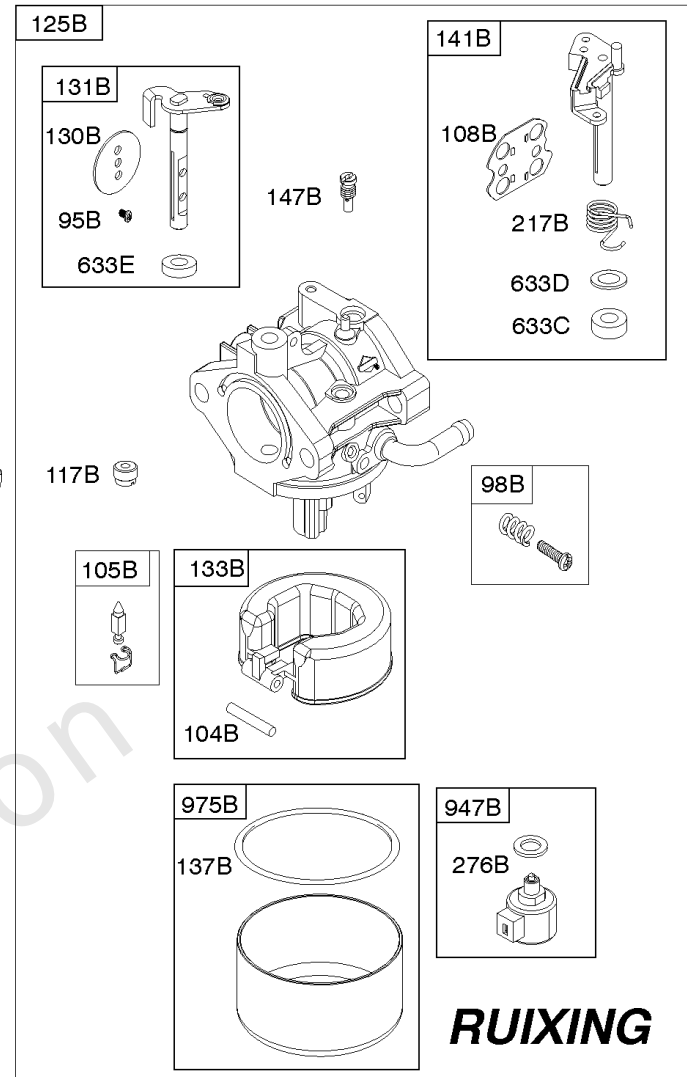
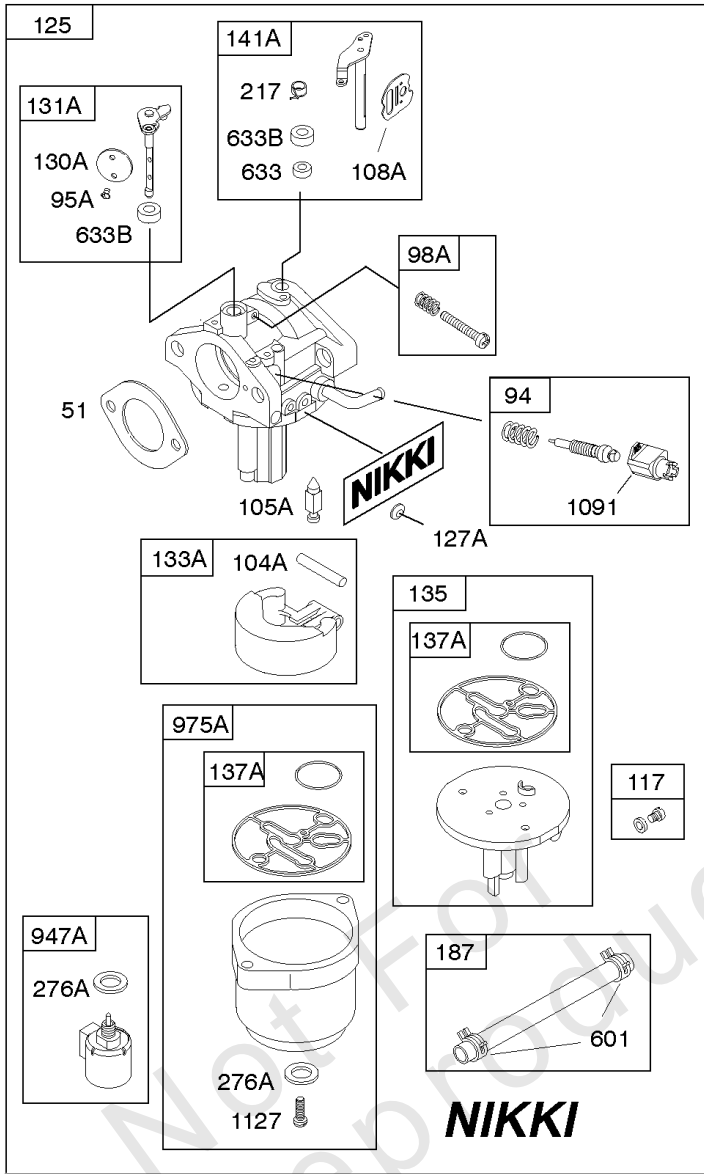


## CARBURETOR - NIKKI & RUIXING, FUEL SUPPLY, GASKET SET - CARBURETOR -

REF NO	PART NO	QTY	DESCRIPTION
51	692137		GASKET-INTAKE
51A	796081		GASKET, Intake
94	793610		KIT, Idle Mixture
95A	690718		SCREW -(Throttle Valve) (Nikki) -Used Before Code Date 15113000
95B	593897		SCREW -(Throttle Valve) (Ruixing) -Used After Code Date 15112900
98A	695408		KIT, Idle Speed -(Nikki) -Used Before Code Date 15113000
98B	846817		KIT, Idle Speed -(Ruixing) -Used After Code Date 15112900
104A	694918		PIN, Float Hinge -(Nikki) -Used Before Code Date 15113000
104B	594860		PIN, Float Hinge -(Ruixing) -Used After Code Date 15112900
105A	696136		VALVE, Float Needle -(Nikki) -Used Before Code Date 15113000
105B	594868		VALVE, Float Needle -(Ruixing) -Used After Code Date 15112900
108A	695419		VALVE, Choke -(Nikki) -Used Before Code Date 15113000
108B	594863		VALVE, Choke -(Ruixing) -Used After Code Date 15112900
117	791501		JET, Main -(Standard) -Used Before Code Date 09021200
117	796251		JET, Main -(Standard) (Nikki) -Used After Code Date 09021100 -Used Before Code Date 15113000
117B	594869		JET, Main -(Standard) (Ruixing) -Used After Code Date 15112900
118	791406		JET, Main -(High Altitude) (Nikki) -Used After Code Date 09021100 -Used Before Code Date 15113000
118	843099		JET, Main -(High Altitude) -Used Before Code Date 09021200
118B	595068		JET, Main -(High Altitude) (Ruixing) -Used After Code Date 15112900
121A	796184		KIT, Carburetor Overhaul -(Nikki Carburetor) -Used Before Code Date 15113000
121B	594886		KIT, Carburetor Overhaul -(Ruixing) -Used After Code Date 15112900
125	591736		CARBURETOR -(Nikki) -Used Before Code Date 15113000
125B	594601		CARBURETOR -(Ruixing) -Used After Code Date 15112900

# CARBURETOR - NIKKI & RUIXING, FUEL SUPPLY, GASKET SET - CARBURETOR -

Mfg. No: 331877-1234-B1

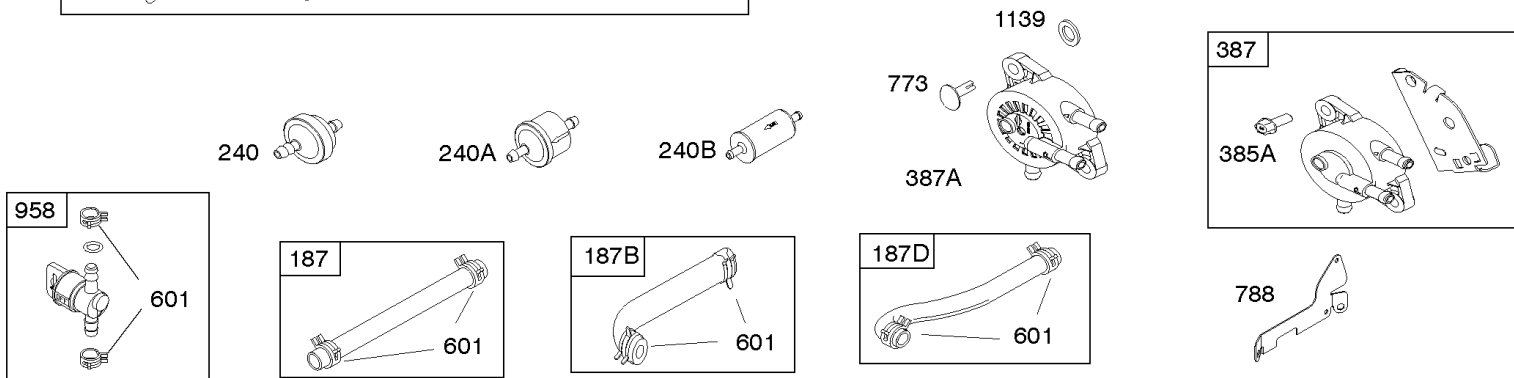
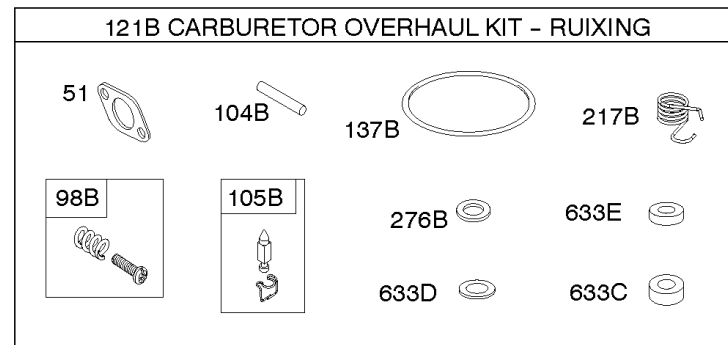
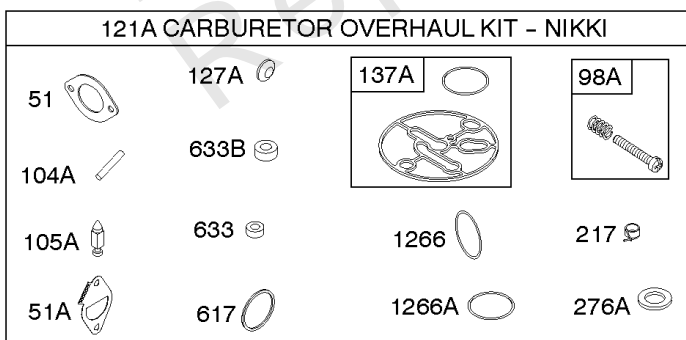
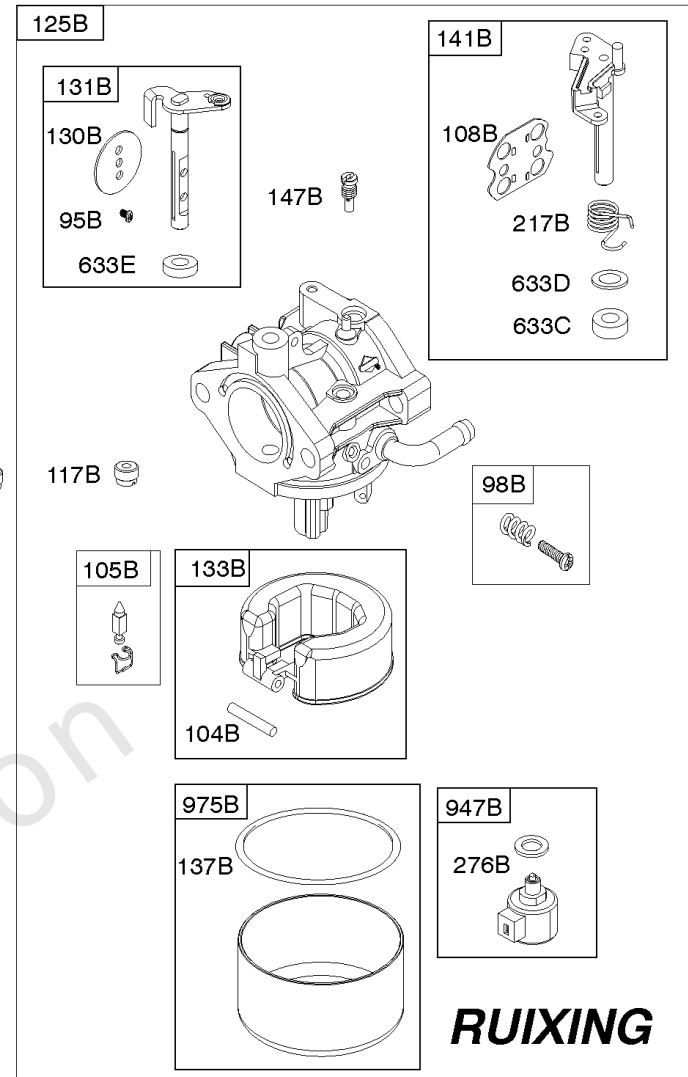
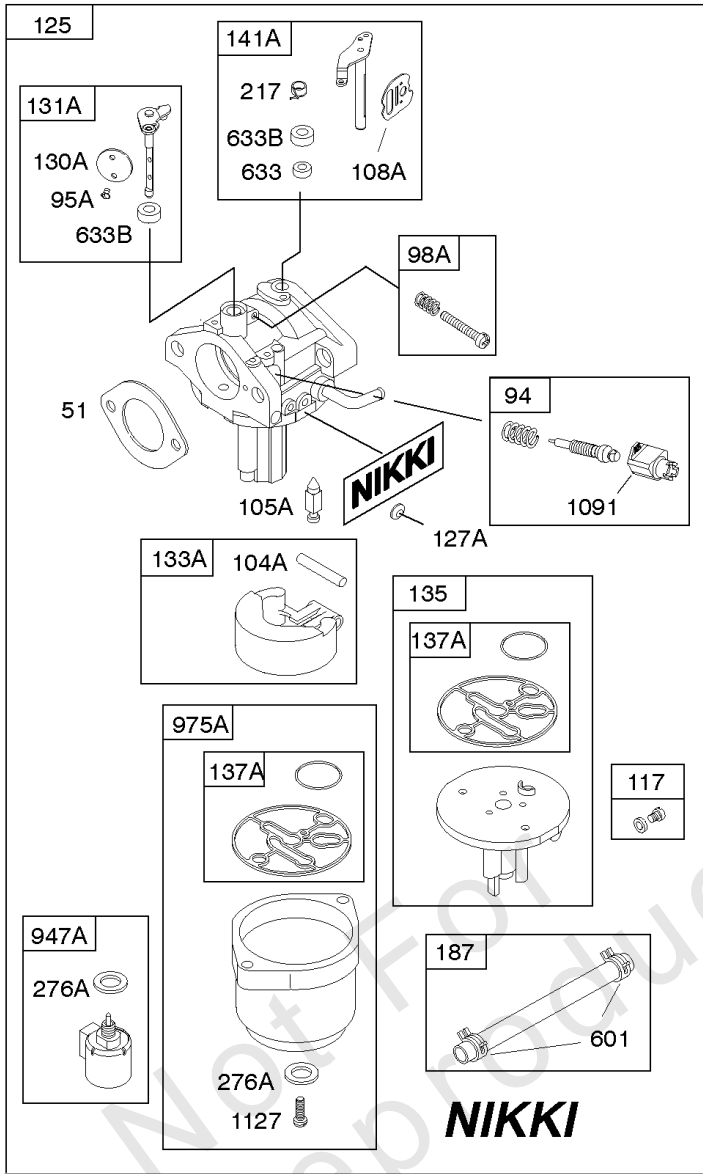


**CARBURETOR - NIKKI & RUIXING, FUEL SUPPLY, GASKET SET - CARBURETOR -**

REF NO	PART NO	QTY	DESCRIPTION
127A	690727		PLUG, Welch
130A	792747		VALVE, Throttle -(Nikki) -Used Before Code Date 15113000
130B	594858		VALVE, Throttle -(Ruixing) -Used After Code Date 15112900
131A	792765		KIT, Throttle Shaft -(Nikki) -Used Before Code Date 15113000
131B	594856		KIT, Throttle Shaft -(Ruixing) -Used After Code Date 15112900
133A	694914		FLOAT, Carburetor -(Nikki) -Used Before Code Date 15113000
133B	594859		FLOAT, Carburetor -(Ruixing) -Used After Code Date 15112900
135	698780		TUBE, Fuel Transfer -(Gravity Feed)
135	792022		TUBE-FUEL TRANSFER -(Pump Feed)(Does Not Include Jet)
137A	698781		GASKET, Float Bowl -(Nikki) -Used Before Code Date 15113000
137B	594861		GASKET, Float Bowl -(Ruixing) -Used After Code Date 15112900
141A	792777		KIT, Choke Shaft -(Nikki) -Used Before Code Date 15113000
141B	594862		KIT, Choke Shaft -(Ruixing) -Used After Code Date 15112900
147B	594874		JET, Pilot -(Ruixing) -Used After Code Date 15112900
187	791766		LINE, Fuel -(15" Long)(Cut To Required Length)
187B	791805		LINE, Fuel -(Formed)(10-1/4" Long)(Cut to Required Length)
187D	791744		LINE, Fuel -(Formed)(14 Inches Long)(Cut To Required Length)
217	695409		SPRING, Choke Return -(Nikki) -Used Before Code Date 15113000
217B	594864		SPRING, Choke Return -(Ruixing) -Used After Code Date 15112900
240A	84001895		FILTER, Fuel -(Includes Paper Element With A 40 Micron Rating)
240B	695666		FILTER, Fuel -(Includes Paper Element With A 30 Micron Rating)
276A	695410		WASHER, Sealing -(Nikki) -Used Before Code Date 15113000
276B	846640		WASHER, Sealing -(Ruixing) -Used After Code Date 15112900
387	697090		PUMP, Fuel
387A	808656		PUMP, Fuel

# CARBURETOR - NIKKI & RUIXING, FUEL SUPPLY, GASKET SET - CARBURETOR -

Mfg. No: 331877-1234-B1

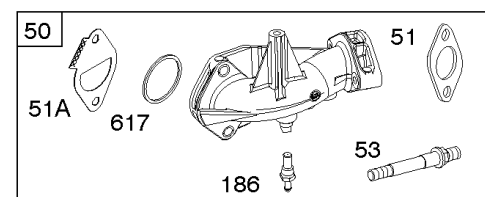
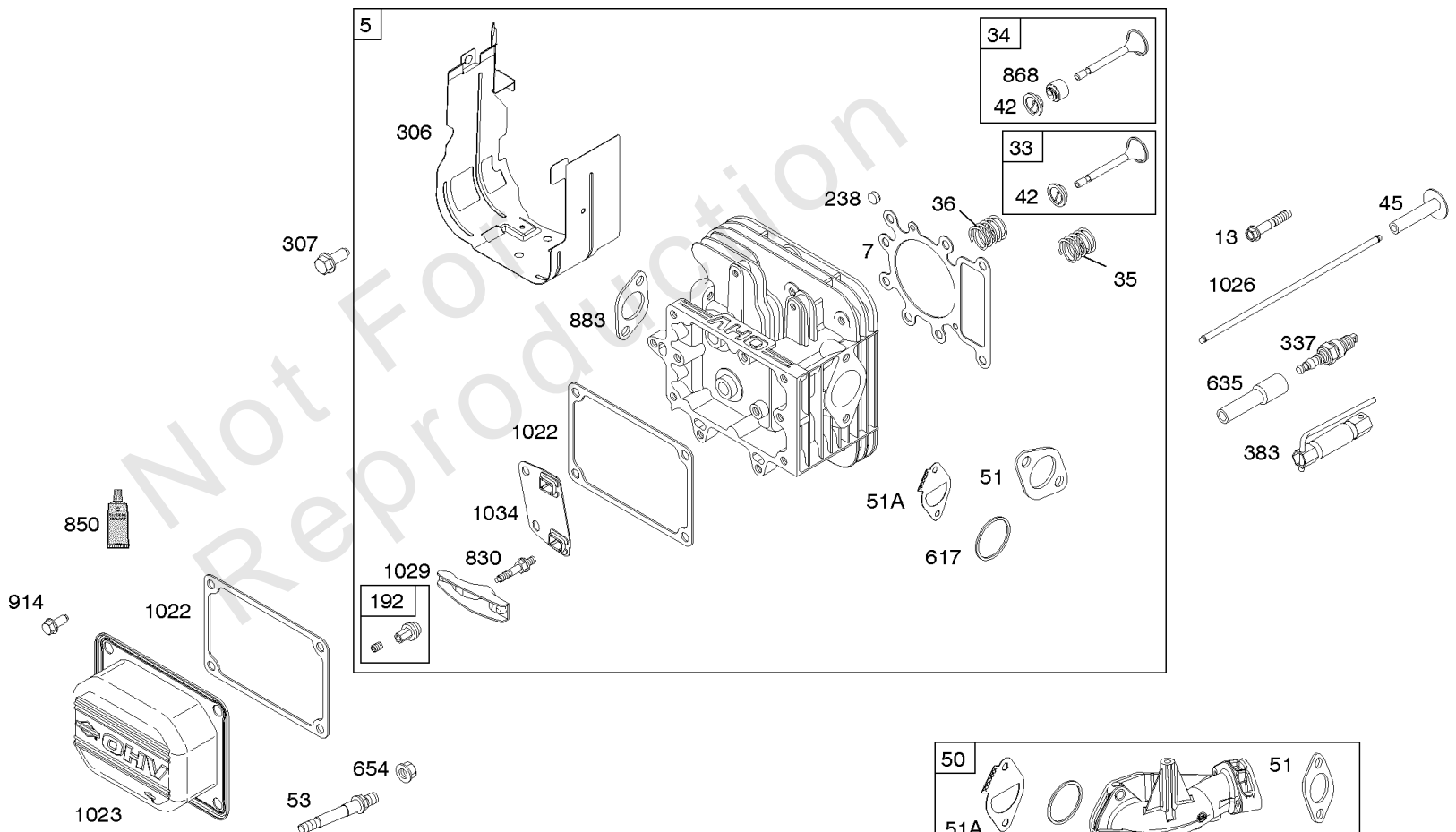
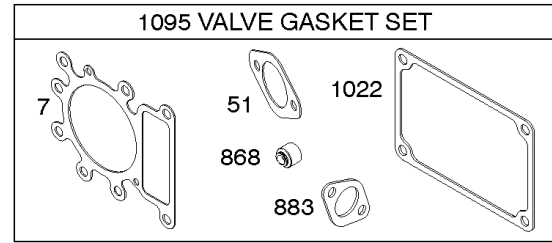
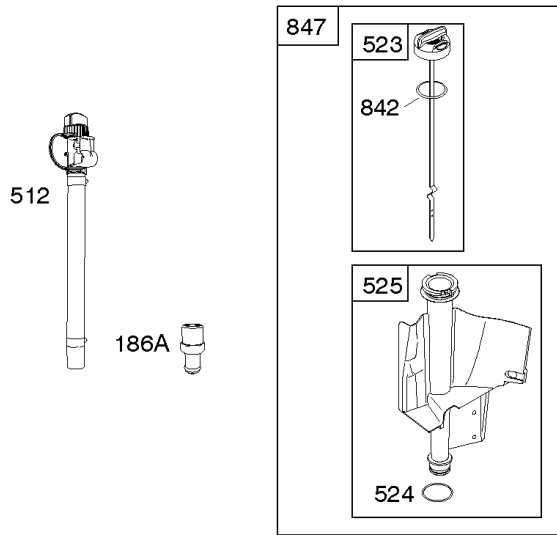


## CARBURETOR - NIKKI & RUIXING, FUEL SUPPLY, GASKET SET - CARBURETOR -

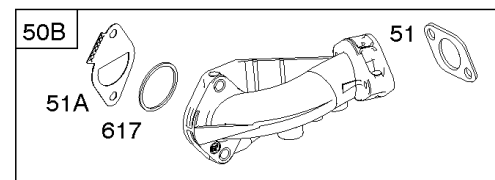
REF NO	PART NO	QTY	DESCRIPTION
601	791850		CLAMP, Hose
617	692138		SEAL, O-Ring -(Intake Manifold)
633	699813		SEAL, Choke/Throttle Shaft -(Nikki) -Used Before Code Date 15113000
633B	690998		SEAL, Choke/Throttle Shaft -(Nikki) -Used Before Code Date 15113000
633C	594866		SEAL, Choke/Throttle Shaft -(Ruixing) -Used After Code Date 15112900
633D	594865		SEAL, Choke/Throttle Shaft -(Ruixing) -Used After Code Date 15112900
633E	797629		SEAL, Choke/Throttle Shaft -(Ruixing) -Used After Code Date 15112900
773	796448		RETAINER
788	699347		BRACKET, Fuel Pump
947A	699915		SOLENOID, Fuel -(Nikki) -Used Before Code Date 15113000
947B	846639		SOLENOID, Fuel -(Ruixing) -Used After Code Date 15112900
958	698183		VALVE, Fuel Shut Off
975A	699502		BOWL, Float -(Nikki) -Used Before Code Date 15113000
975B	594867		BOWL, Float -(Ruixing) -Used After Code Date 15112900
1091	691333		CAP, Limiter
1127	695407		SCREW -(Float Bowl) (Float Bowl to Carburetor Body)
1139	796449		WASHER -(Fuel Pump Bracket)
1266	691917		SEAL, O-Ring -(Intake Elbow)
1266A	697123		SEAL, O-Ring -(Intake Elbow)

# CYLINDER HEAD, GASKET SET - VALVE, INTAKE MANIFOLD, Oil Fill, VALVES

Mfg. No: 331877-1234-B1



415 54

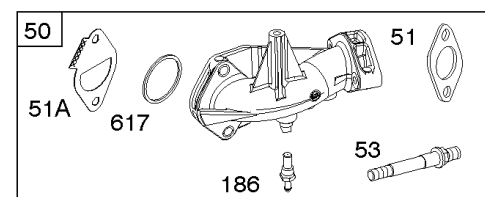
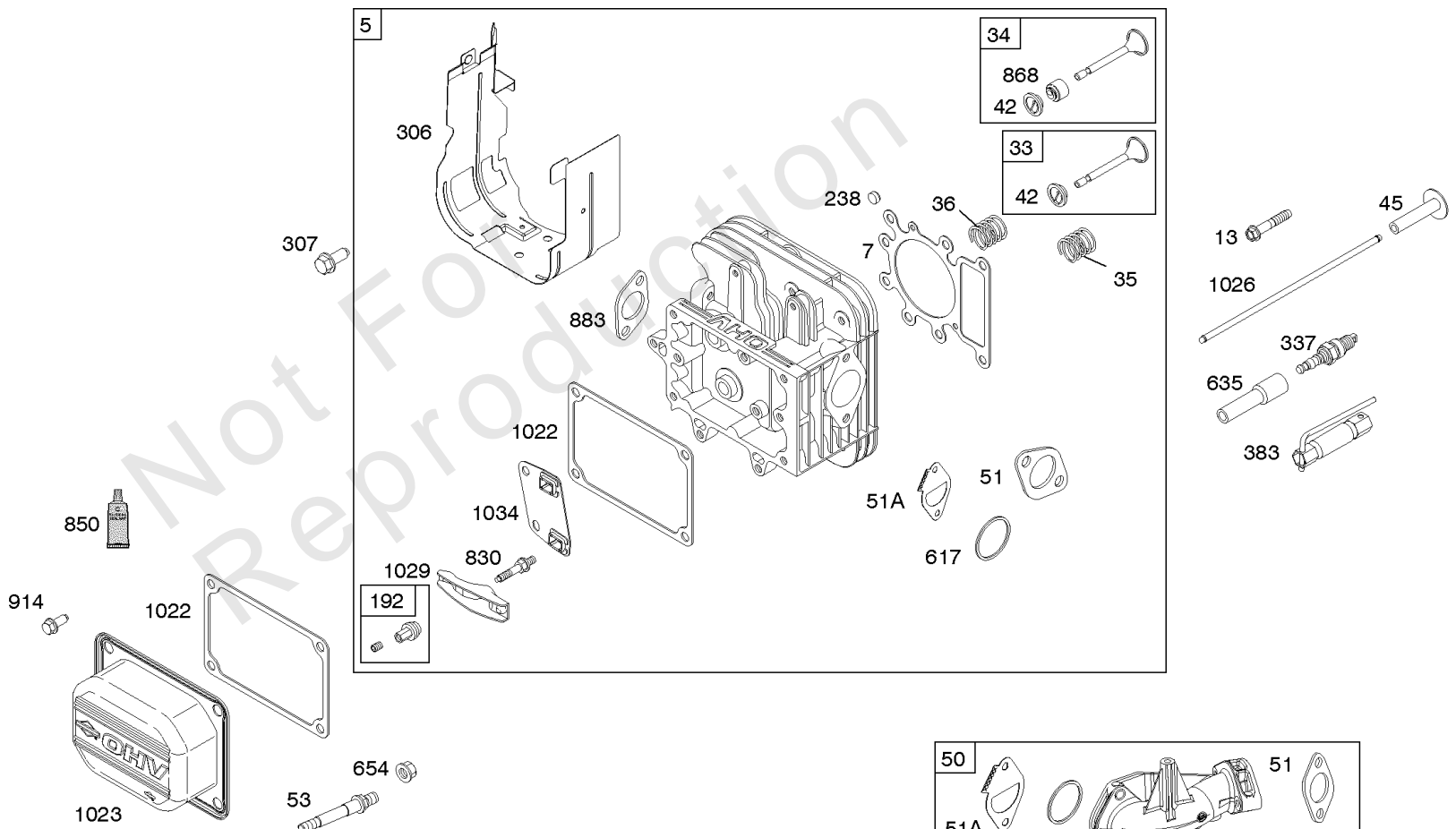
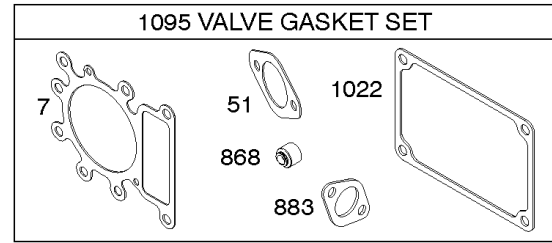
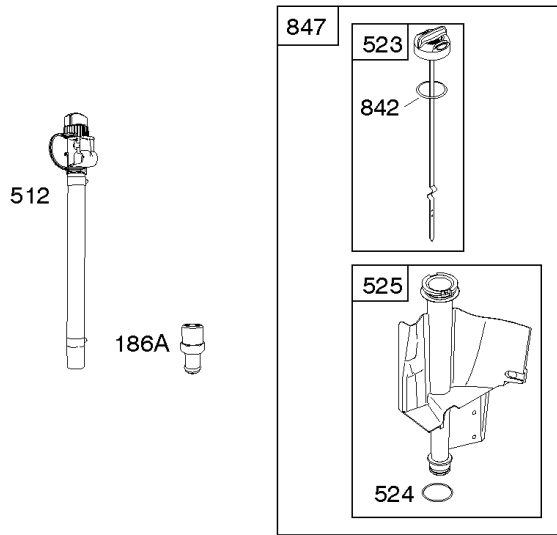


## CYLINDER HEAD, GASKET SET - VALVE, INTAKE MANIFOLD, Oil Fill, VALVES

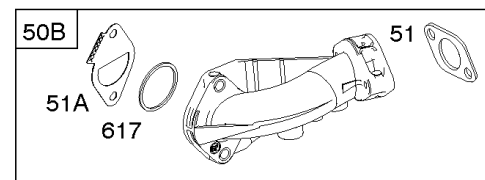
REF NO	PART NO	QTY	DESCRIPTION
5	796026		HEAD-CYLINDER
7	794114		GASKET, Cylinder Head
13	592244		SCREW -(Cylinder Head) (5/16-18 x 2.69)
33	792868		VALVE, Exhaust
34	791935		VALVE, Intake
35	691279		SPRING, Valve -(Intake)
36	691279		SPRING, Valve -(Exhaust)
42	499586		KEEPER, Valve
45	690564		TAPPET, Valve
50	591248		MANIFOLD, Intake
50B	592842		MANIFOLD-INTAKE
51	692137		GASKET-INTAKE
51A	796081		GASKET, Intake
53	591260		STUD -(Carburetor) -Used After Code Date 11121800
53	690227		STUD -(Carburetor) -Used Before Code Date 11121900
54	691148		SCREW -(Intake Manifold)
186	794873		CONNECTOR, Hose
186A	796532		CONNECTOR, Hose
192	691986		ADJUSTER, Rocker Arm
238	691843		CAP, Valve
307	691693		SCREW -(Cylinder Shield)
337	491055S		PLUG, Spark
337	84007216		PLUG, SPARK -(China Only)
383	19576S		WRENCH, Spark Plug
415	794903		PLUG
512	594200		HOSE, Oil Drain
523	699908		DIPSTICK
524	691032		SEAL, O-Ring
525	697184		TUBE, Dipstick
617	692138		SEAL, O-Ring -(Intake Manifold)
635	691909		BOOT, Spark Plug
654	690958		NUT -(Carburetor)
830	691095		STUD, Rocker Arm
842	691031		SEAL, O-Ring -(Dipstick Tube)
847	790442		DIPSTICK/TUBE ASSEMBLY
850	100106		SEALANT, Liquid -(Rocker Cover Gasket and Breather Gasket) -Used After Code Date 07071800
868	690968		SEAL, Valve
883	692236		GASKET, Exhaust
914	691108		SCREW -(Rocker Cover)

# CYLINDER HEAD, GASKET SET - VALVE, INTAKE MANIFOLD, Oil Fill, VALVES

Mfg. No: 331877-1234-B1



415 54





## CYLINDER HEAD, GASKET SET - VALVE, INTAKE MANIFOLD, Oil Fill, VALVES

REF NO	PART NO	QTY	DESCRIPTION
1022	272475S		GASKET, Rocker Cover -(After Date Code Use Liquid Sealant Reference 850) -Used Before Code Date 07091000
1023	797421		COVER-ROCKER
1026	692011		ROD, Push -(Exhaust)
1026	692003		ROD, Push -(Intake)
1029	691751		ARM, Rocker
1034	690822		GUIDE, Push Rod
1095	794152		GASKET SET, Valve

Not For Reproduction

## Replacement Engine - US & Canada

REF NO	PART NO	QTY	DESCRIPTION
	3318773036	1	Replacement Engine
	592058	1	Replacement Short Block
	-----		Top No-Load Speed: 3300 -Trim: ALL
	-----		Service Note: Transfer Muffler and/or Spark Arrester Assembly from the original engine if suitable for additional service or add new parts as required
	-----		Short Block Note: Engines Built Prior to 07/12/2012 should use short block 795446. Engines built on or after 07/12/2012 should use short block 592058.

Not For Reproduction

