



Parts Manual

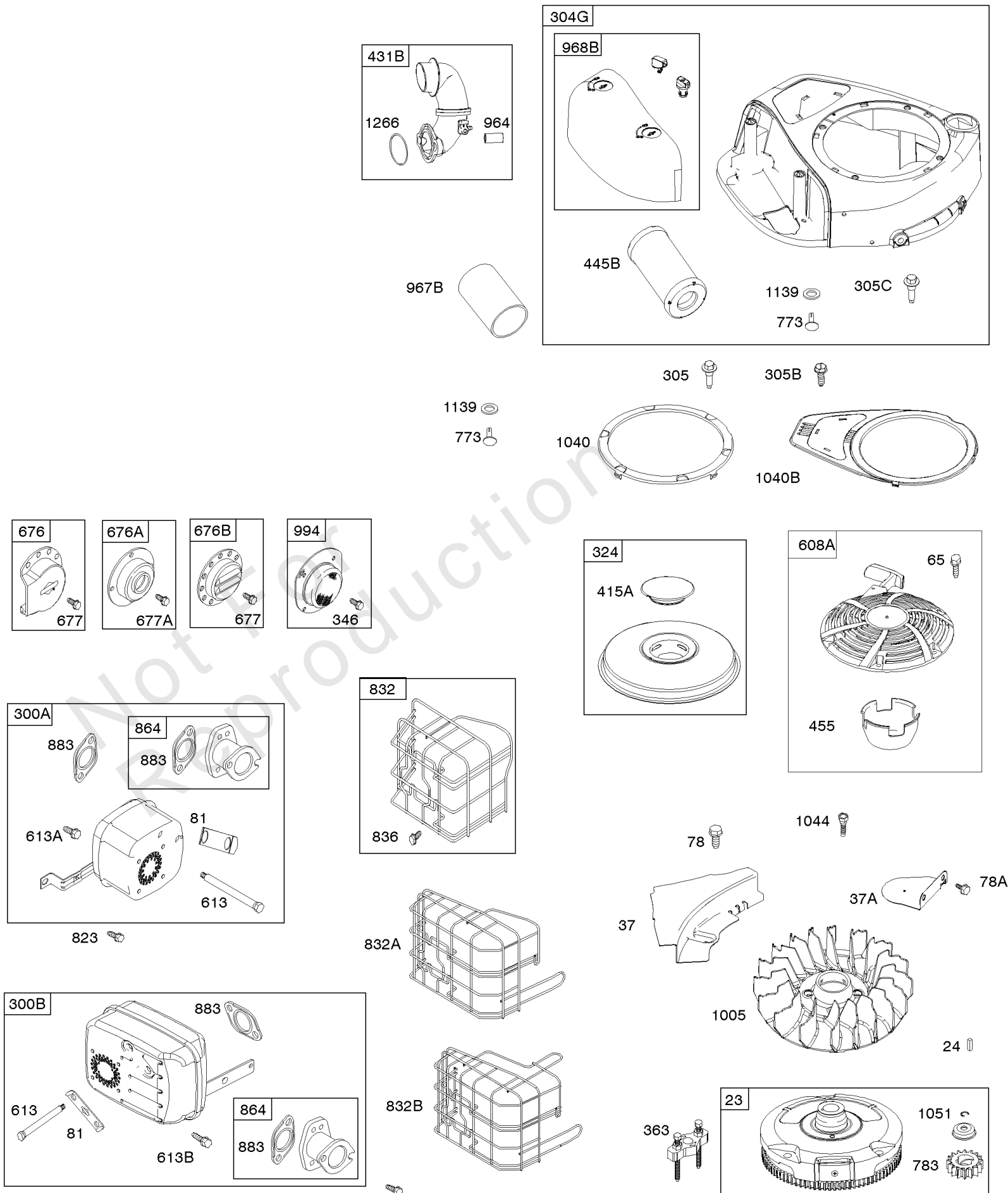
Mfg. No: 31R977-0052-G1

| Model Components | Page |
|---|-------------|
| AIR CLEANER, BLOWER HOUSING, TRIM RNG, EXHAUST SYSTEM, FLYWHEEL..... | 4 |
| CAMSHAFT,CRANKSHAFT & COUNTER BALANCE, CYLINDER, ENGINE SUMP & BREATHER, | 8 |
| CARBURETOR, FUEL SUPPLY, KIT - CARBURETOR OVERHAUL..... | 14 |
| CONTROLS, ALTERNATOR, WIRE ASSY, ELECTRIC STARTER, GOVERNOR SPRING, IGNITION..... | 20 |
| CYLINDER HEAD, INTAKE MANIFOLD, OIL FILL, VALVES..... | 24 |
| Replacement Engine - US & Canada..... | 28 |

Not For
Reproduction

AIR CLEANER, BLOWER HOUSING, TRIM RING, EXHAUST SYSTEM, FLYWHEEL

Mfg. No: 31R977-0052-G1

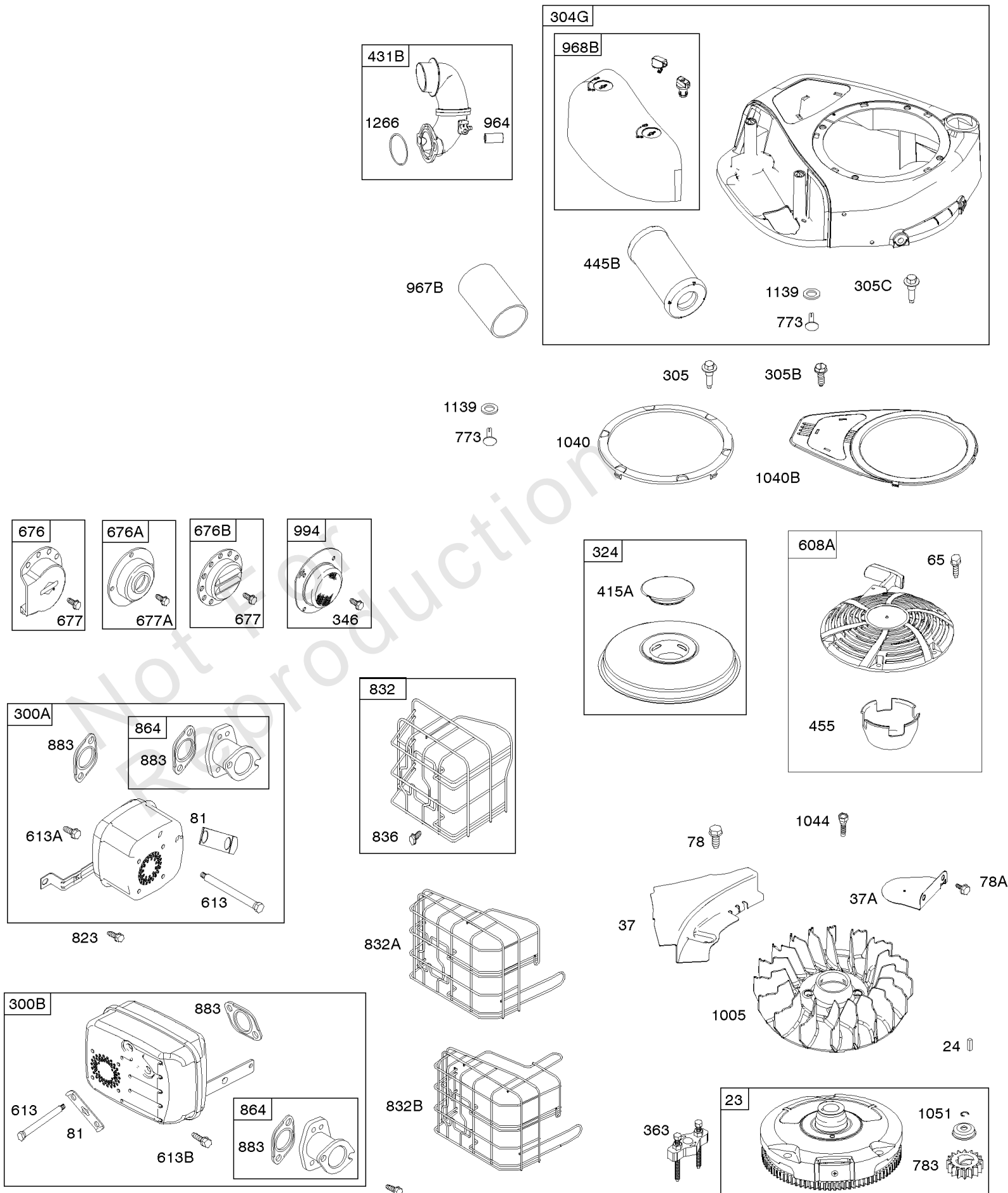


AIR CLEANER, BLOWER HOUSING, TRIM RNG, EXHAUST SYSTEM, FLYWHEEL

| REF NO | PART NO | QTY | DESCRIPTION |
|--------|---------|-----|--|
| 23 | 591758 | 1 | FLYWHEEL |
| 24 | 591757 | 1 | KEY, Flywheel |
| 37 | 697352 | 1 | GUARD, Flywheel |
| 37A | 697626 | 1 | GUARD, Flywheel |
| 65 | 690940 | 4 | SCREW -(Rewind Starter) |
| 78 | 691693 | 6 | SCREW -(Flywheel Guard) |
| 78A | 690364 | 2 | SCREW -(Flywheel Guard) |
| 81 | 691178 | 1 | LOCK, Muffler Screw |
| 304G | 591642 | 1 | HOUSING, Blower -(Black-Compatible With Canister Style Filter) |
| 304G | 591643 | 1 | HOUSING, Blower -(Black w/threaded inserts-Compatible With Canister Style Filter) |
| 305 | 697102 | 2 | SCREW -(Blower Housing) (Blower Housing)(Shoulder Bolt) |
| 305B | 795891 | 1 | SCREW -(Blower Housing) (Hex Head Tapping) |
| 305C | 799370 | 2 | SCREW -(Blower Housing) (Blower Housing)(Shoulder Bolt) |
| 324 | 593933 | 1 | SCREEN/CUP ASSEMBLY |
| 346 | 794845 | 4 | SCREW -(Spark Arrestor) |
| 363 | 19203 | 1 | PULLER, Flywheel |
| 415A | 794129 | 1 | COVER, Flywheel |
| 431B | 797901 | 1 | ELBOW, Intake -(Black-Compatible With Canister Style Filter) |
| 445B | 594201 | 1 | FILTER, A/C Cartridge -(Canister) |
| 455 | 796615 | 1 | CUP, Flywheel |
| 608A | 591606 | 1 | STARTER, Rewind |
| 613 | 691416 | 2 | SCREW -(Muffler) |
| 613A | 691678 | 1 | SCREW -(Muffler) (Muffler) |
| 613B | 690297 | 2 | SCREW -(Regulator) (Muffler) (1/4-20 x 0.62) |
| 676 | 795036 | 1 | DEFLECTOR, Muffler |
| 676A | 396903 | 1 | DEFLECTOR, Muffler |
| 676B | 795038 | 1 | DEFLECTOR, Muffler |
| 677 | 794845 | 4 | SCREW -(Muffler Deflector) |
| 677A | 690661 | 4 | SCREW -(Muffler Deflector) |
| 773 | 796448 | 1 | RETAINER |
| 783 | 593935 | 1 | GEAR, Pinion |
| 823 | 698941 | 2 | SCREW -(Muffler Adapter) |
| 832 | 790293 | 1 | GUARD, Muffler |
| 832A | 595029 | 1 | GUARD, Muffler |
| 832B | 706336 | 1 | GUARD, Muffler |
| 836 | 690367 | 1 | SCREW -(Muffler Guard) (#8-18) |
| 864 | 796002 | 1 | ADAPTER, Muffler -(2 1/4" Long) |
| 883 | 692236 | 2 | GASKET, Exhaust |

AIR CLEANER, BLOWER HOUSING, TRIM RING, EXHAUST SYSTEM, FLYWHEEL

Mfg. No: 31R977-0052-G1



AIR CLEANER, BLOWER HOUSING, TRIM RNG, EXHAUST SYSTEM, FLYWHEEL

| REF NO | PART NO | QTY | DESCRIPTION |
|---------------|----------------|------------|--|
| 964 | 799159 | 1 | CAP, Connector |
| 967B | 797704 | 1 | FILTER, Pre Cleaner |
| 968B | 591647 | 1 | COVER, Air Cleaner -(Black-Compatible With Canister Style Filter) |
| 994 | 794945 | 1 | ARRESTOR, Spark |
| 1005 | 796083 | 1 | FAN, Flywheel |
| 1040 | 698368 | 1 | PLATE, Trim |
| 1040B | 699852 | 1 | PLATE, Trim |
| 1044 | 698139 | 1 | SCREW -(Flywheel) |
| 1051 | 691265 | 1 | RING, Retaining |
| 1139 | 796449 | 2 | WASHER -(Fuel Pump Bracket) |
| 1266 | 691917 | 1 | SEAL, O-Ring -(Intake Elbow) |

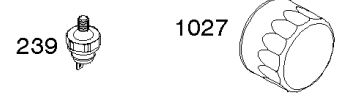
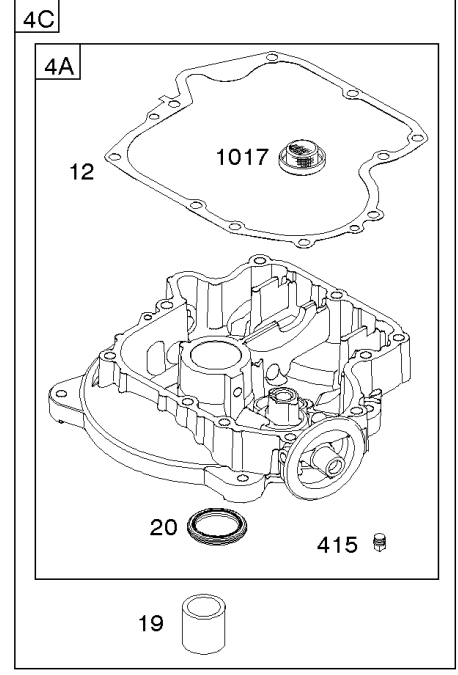
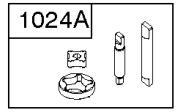
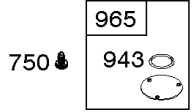
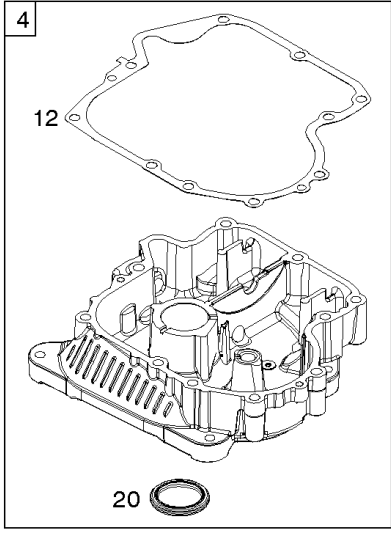
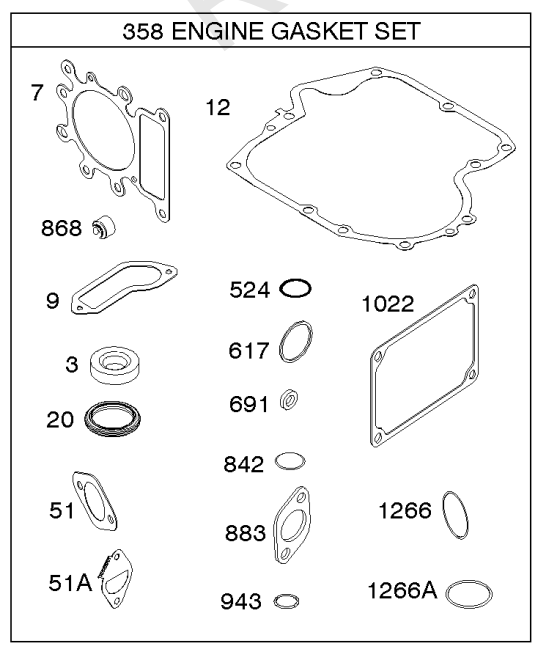
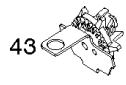
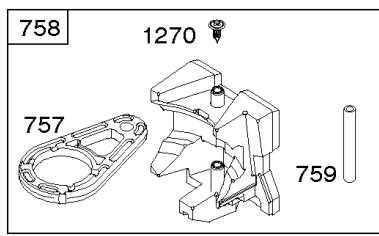
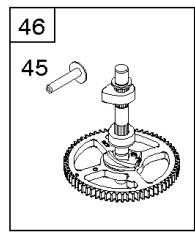
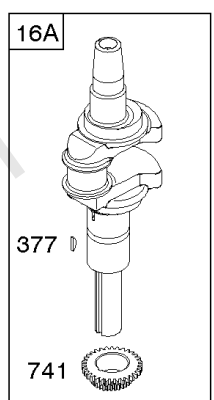
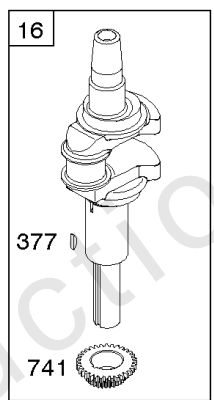
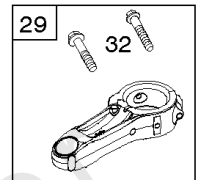
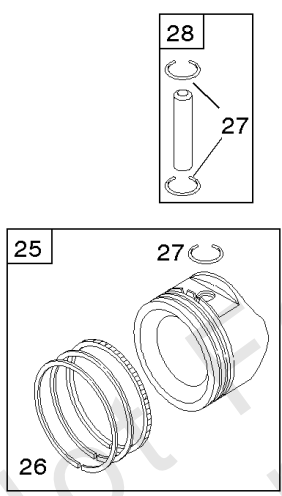
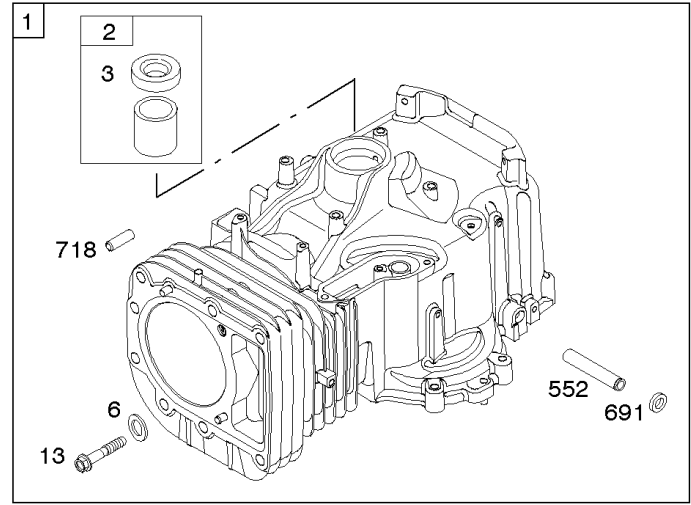
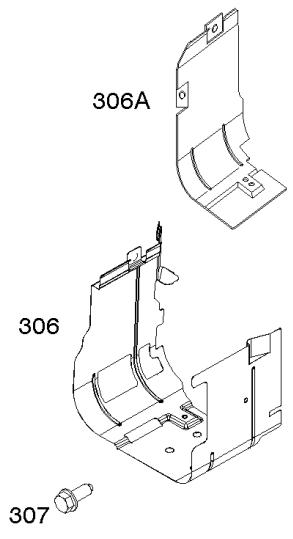
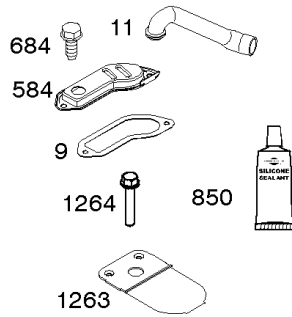
Not For Reproduction

CAMSHAFT, CRANKSHAFT & COUNTER BALANCE, CYLINDER, ENGINE SUMP &

Mfg. No: 31R977-0052-G1

1036 EMISSIONS LABEL

1319 WARNING LABEL



CAMSHAFT, CRANKSHAFT & COUNTER BALANCE, CYLINDER, ENGINE SUMP &

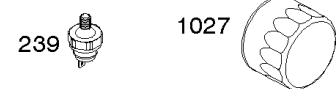
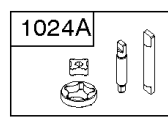
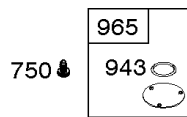
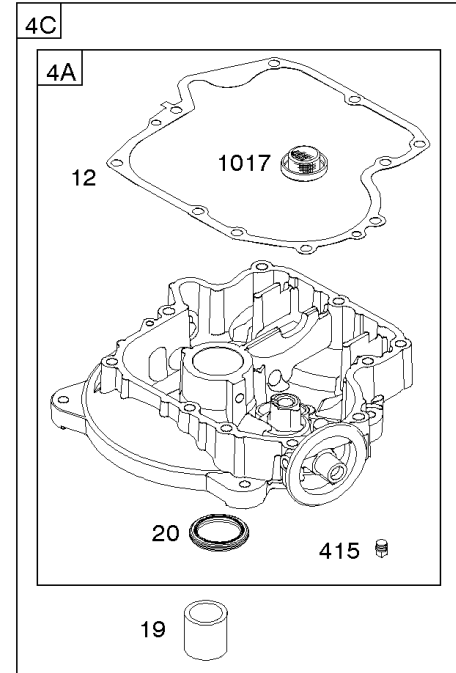
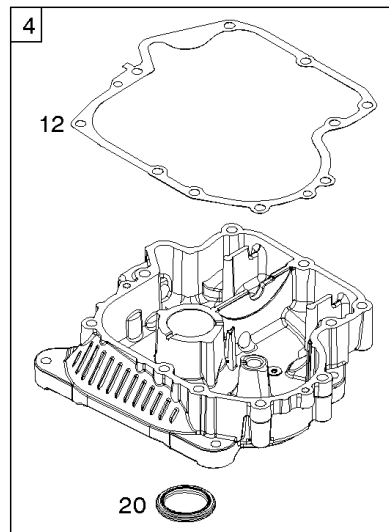
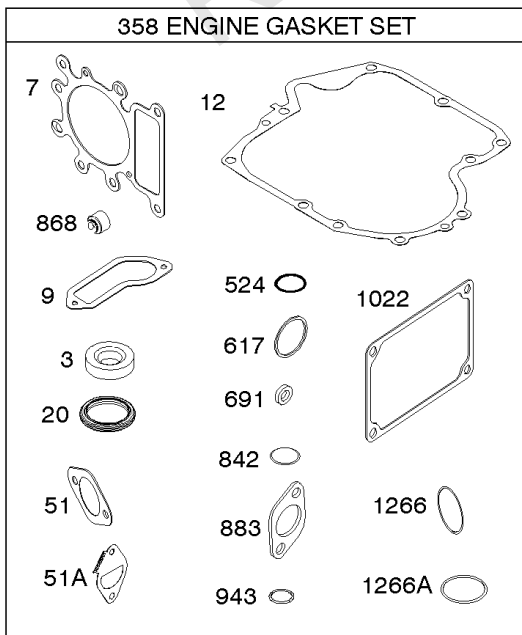
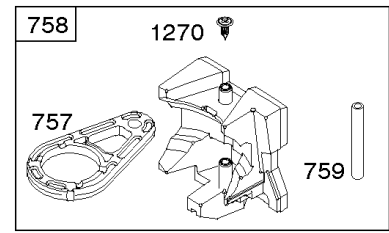
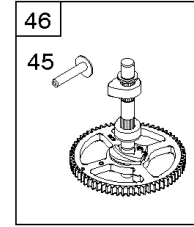
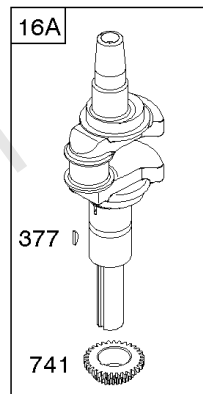
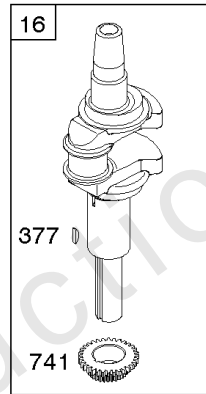
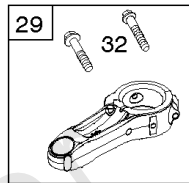
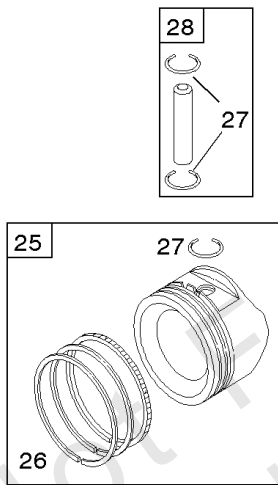
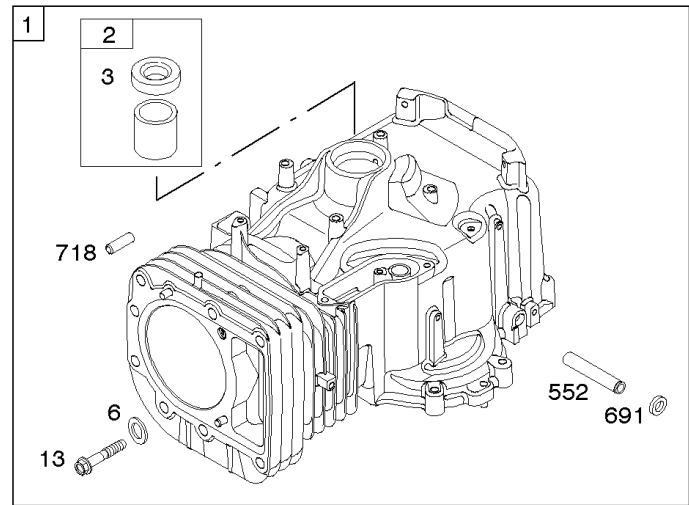
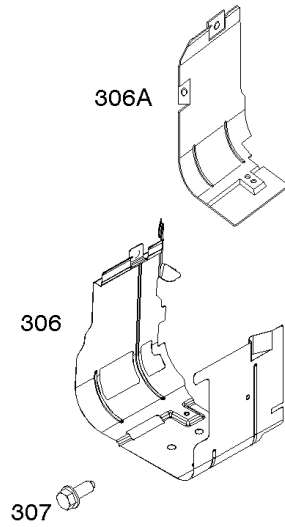
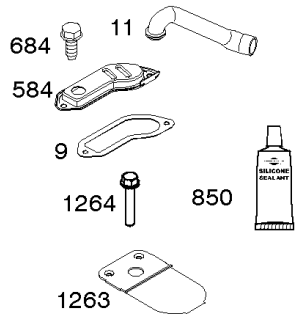
| REF NO | PART NO | QTY | DESCRIPTION |
|--------|---------|-----|--|
| 1 | 796010 | 1 | CYLINDER ASSEMBLY |
| 2 | 797673 | 1 | KIT, Bushing/Seal -(Magneto Side) |
| 3 | 391086S | 1 | SEAL, Oil -(Magneto Side) |
| 4A | 592849 | 1 | SUMP, Engine |
| 6 | 690310 | 1 | WASHER -(Cylinder Head) |
| 7 | 796584 | 1 | GASKET, Cylinder Head |
| 9 | 697109 | | GASKET, Breather -(Use Liquid Sealant Reference 850) |
| 11 | 794683 | 1 | TUBE, Breather |
| 12 | 697110 | 1 | GASKET, Crankcase |
| 13 | 592244 | 8 | SCREW -(Cylinder Head) (5/16-18 x 2.69) |
| 15 | 691680 | 1 | PLUG, Oil Drain -(Square Socket) |
| 15 | 690946 | 1 | PLUG, Oil Drain -(Square Head) |
| 16A | 596007 | 1 | CRANKSHAFT |
| 19 | 591010 | 1 | KIT, Bushing/Seal -(PTO Side) |
| 20 | 795387 | 1 | SEAL, Oil -(PTO Side) |
| 22 | 692125 | 1 | SCREW -(Crankcase Cover/Sump) |
| 24 | 591757 | 1 | KEY, Flywheel |
| 25 | 796172 | 1 | PISTON ASSEMBLY -(Standard) -Used Before Code Date 14100600 |
| 25 | 594435 | 1 | PISTON ASSEMBLY -(Standard) -Used After Code Date 14100500 |
| 25 | 594436 | 1 | PISTON ASSEMBLY -(.020" Oversize) -Used After Code Date 14100500 |
| 25 | 796173 | 1 | PISTON ASSEMBLY -(.020 Oversize) -Used Before Code Date 14100600 |
| 26 | 594437 | 1 | RING SET -(Standard) |
| 26 | 792649 | 1 | SET, Ring -(Standard) -Used Before Code Date 14100600 |
| 26 | 594438 | 1 | SET, Ring -(Standard) -Used After Code Date 14100500 |
| 27 | 698469 | 10 | LOCK, Piston Pin |
| 28 | 594439 | 1 | PIN, Piston -(1.62" Long) -Used After Code Date 14100500 |
| 28 | 796007 | 1 | PIN, Piston -(1.97) -Used Before Code Date 14100600 |
| 29 | 794571 | 1 | ROD, Connecting |
| 32 | 791118 | 2 | SCREW -(Connecting Rod) |
| 43 | 691968 | 1 | SLINGER, Governor/Oil |
| 45 | 690564 | 2 | TAPPET, Valve |

CAMSHAFT, CRANKSHAFT & COUNTER BALANCE, CYLINDER, ENGINE SUMP &

Mfg. No: 31R977-0052-G1

1036 EMISSIONS LABEL

1319 WARNING LABEL



CAMSHAFT,CRANKSHAFT & COUNTER BALANCE, CYLINDER, ENGINE SUMP &

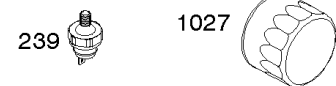
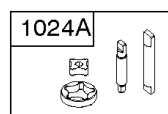
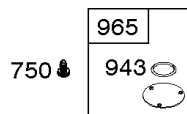
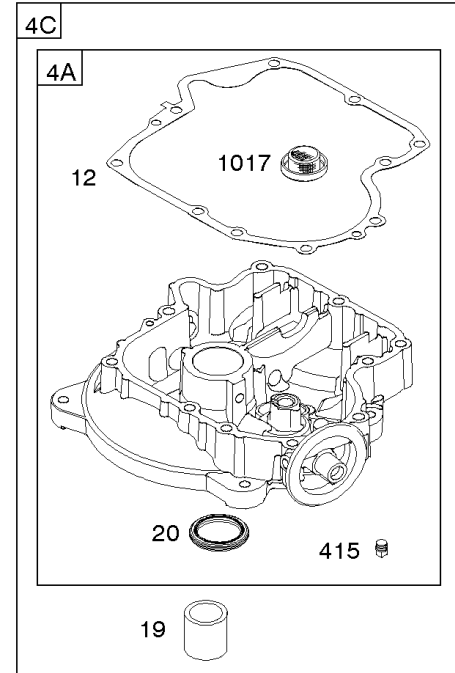
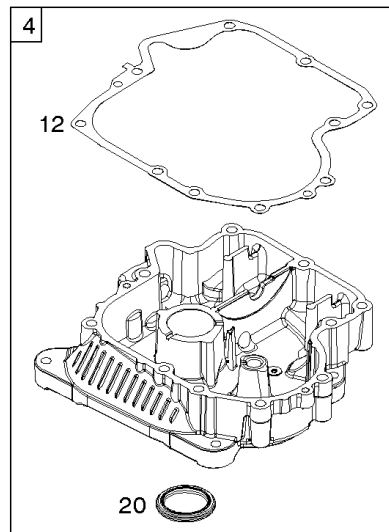
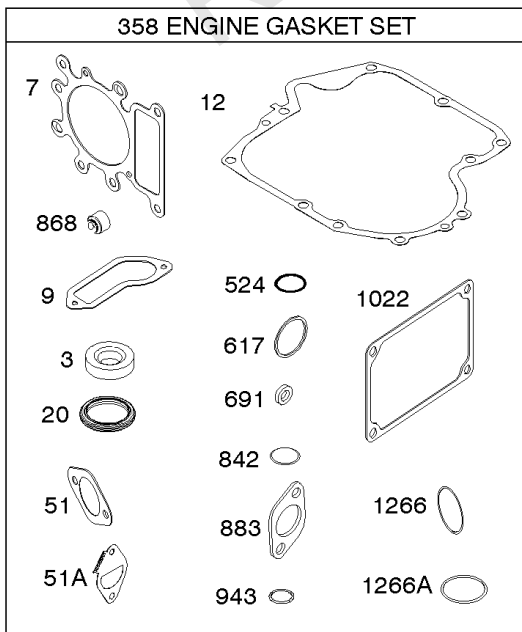
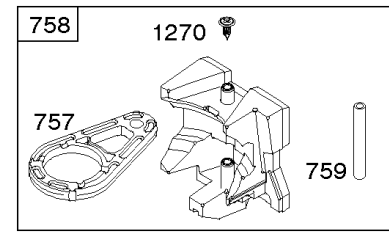
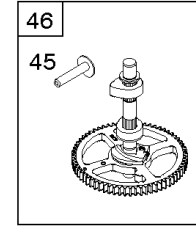
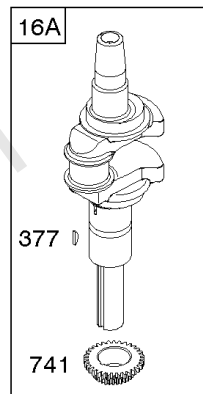
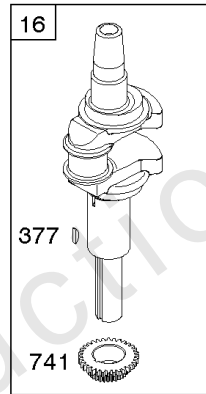
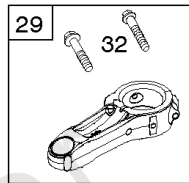
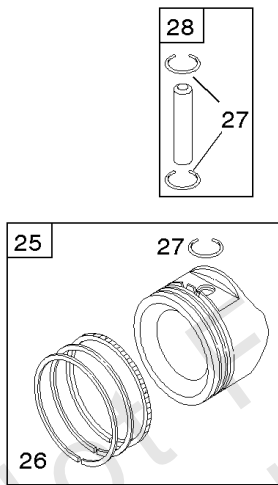
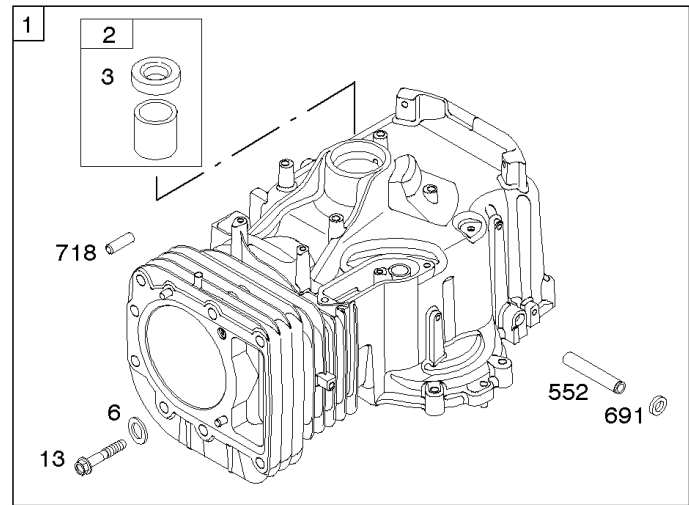
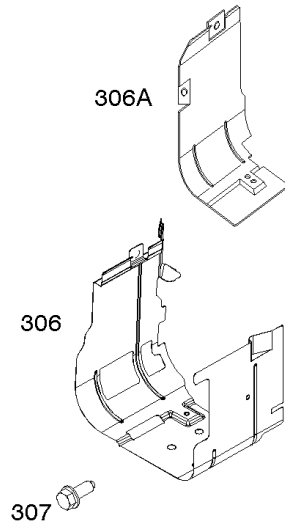
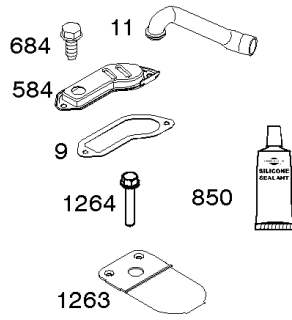
| REF NO | PART NO | QTY | DESCRIPTION |
|---------------|----------------|------------|--|
| 46 | 793880 | 1 | CAMSHAFT |
| 51 | 692137 | 1 | GASKET-INTAKE |
| 51A | 796081 | 1 | GASKET, Intake |
| 239 | 491657S | 1 | SWITCH, Oil Pressure |
| 306 | 592777 | 1 | SHIELD, Cylinder |
| 306A | 794953 | 2 | SHIELD, Cylinder |
| 307 | 691693 | 6 | SCREW -(Cylinder Shield) |
| 357 | 691483 | 1 | KEY, Drive Pulley |
| 358 | 796187 | 1 | GASKET SET, Engine |
| 377 | 691639 | 1 | KEY, Woodruff |
| 415 | 794903 | 1 | PLUG -(Engine Sump) |
| 524 | 691032 | 1 | SEAL, O-Ring |
| 552 | 697144 | 1 | BUSHING, Governor Crank |
| 584 | 794682 | 1 | COVER, Breather Passage -(Use with Liquid Sealant Reference 850) |
| 617 | 692138 | 1 | SEAL, O-Ring -(Intake Manifold) |
| 684 | 697157 | 1 | SCREW -(Breather Passage Cover) |
| 691 | 692407 | 1 | SEAL, Governor Shaft |
| 718 | 690959 | 2 | PIN, Locating |
| 741 | 697128 | 1 | GEAR, Timing |
| 750 | 790832 | 3 | SCREW -(Oil Pump Cover) |
| 757 | 793242 | 2 | LINK, Counterweight |
| 758 | 594443 | 1 | COUNTERWEIGHT -Used After Code Date 14100500 |
| 758 | 793763 | 1 | COUNTERWEIGHT -Used Before Code Date 14100600 |
| 759 | 697392 | 2 | PIN, Counterweight |
| 842 | 691031 | 1 | SEAL, O-Ring -(Dipstick Tube) (Special Dipstick Tube) |
| 850 | 100106 | | SEALANT, Liquid -(Rocker Cover Gasket and Breather Gasket) |
| 868 | 690968 | 1 | SEAL, Valve |
| 883 | 692236 | 2 | GASKET, Exhaust |
| 943 | 690589 | 1 | SEAL, O-Ring -(Oil Pump Cover) |
| 965 | 499613 | 1 | COVER, Oil Pump |
| 1017 | 796981 | 1 | SCREEN, Oil Pump -(Push In) |
| 1022 | 272475S | 2 | GASKET, Rocker Cover -(Use Liquid Sealant Reference 850) |
| 1024A | 794644 | 1 | PUMP-OIL |
| 1027 | 798576 | 1 | FILTER, Oil -(Premium)(Orange) |
| 1027 | 696854 | 1 | FILTER, Oil -(Premium)(Yellow) |
| 1027 | 492932S | 1 | FILTER, Oil -(Standard)(Black) |
| 1036 | ----- | 1 | Label-Emissions -(Available From A Briggs & Stratton Authorized Dealer) |
| 1263 | 697124 | 1 | REED, Breather |
| 1264 | 697104 | 1 | SCREW -(Breather Reed) |

CAMSHAFT, CRANKSHAFT & COUNTER BALANCE, CYLINDER, ENGINE SUMP &

Mfg. No: 31R977-0052-G1

1036 EMISSIONS LABEL

1319 WARNING LABEL



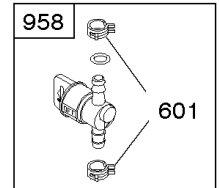
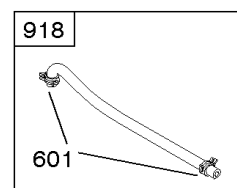
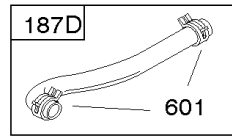
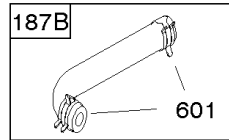
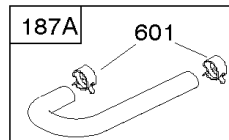
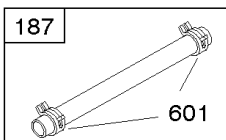
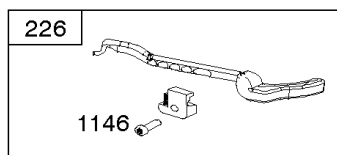
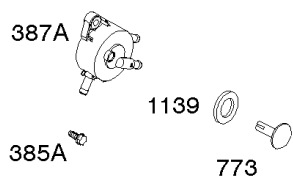
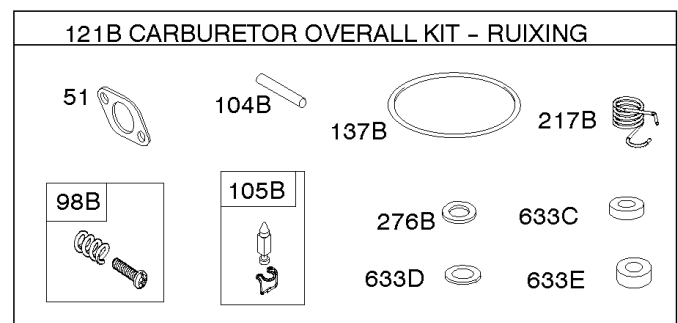
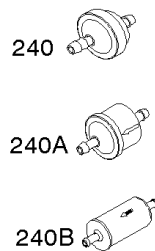
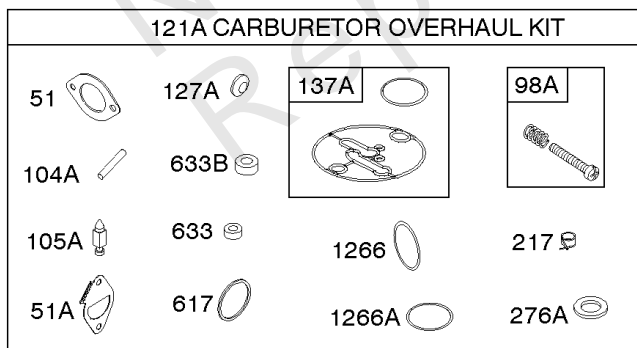
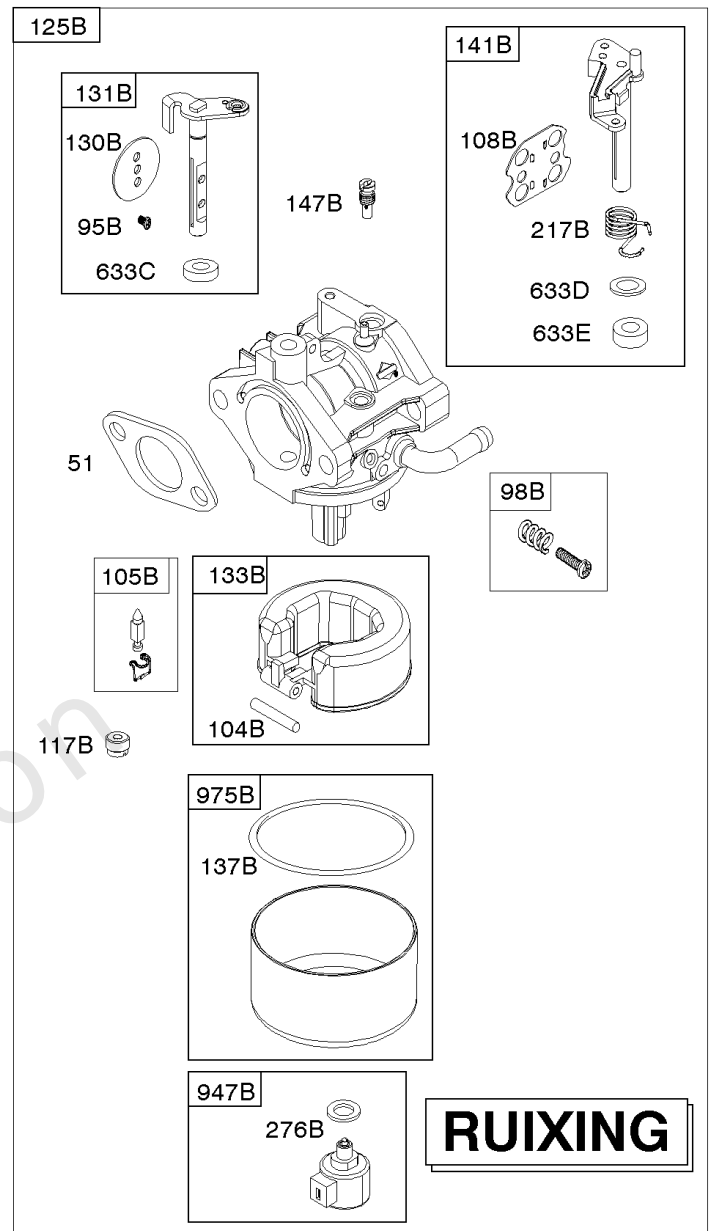
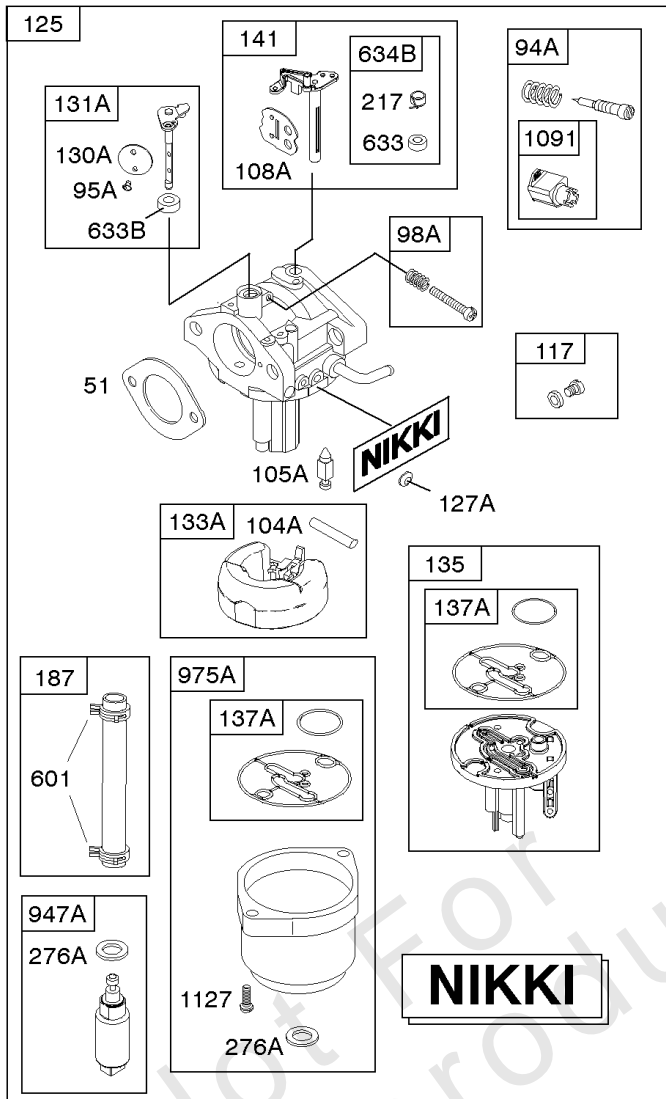
CAMSHAFT, CRANKSHAFT & COUNTER BALANCE, CYLINDER, ENGINE SUMP &

| REF NO | PART NO | QTY | DESCRIPTION |
|---------------|----------------|------------|---------------------------------|
| 1266 | 691917 | 1 | SEAL, O-Ring -(Intake Elbow) |
| 1266A | 697123 | 1 | SEAL, O-Ring -(Intake Elbow) |
| 1270 | 793243 | 1 | PLUG, AVS Counterweight |
| 1319 | 794467 | 1 | LABEL, Warning |

Not For Reproduction

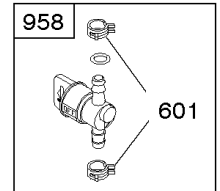
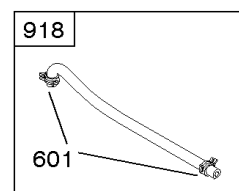
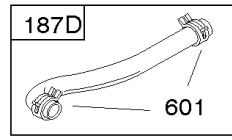
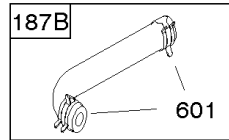
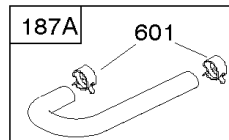
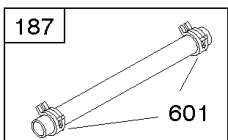
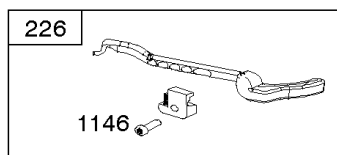
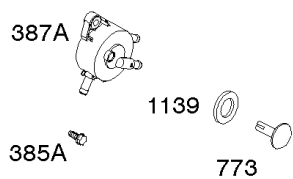
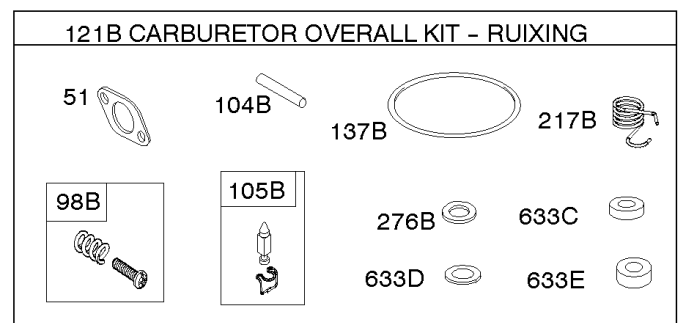
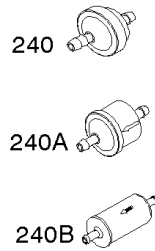
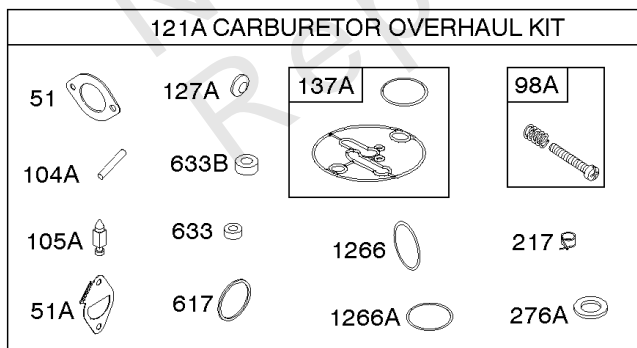
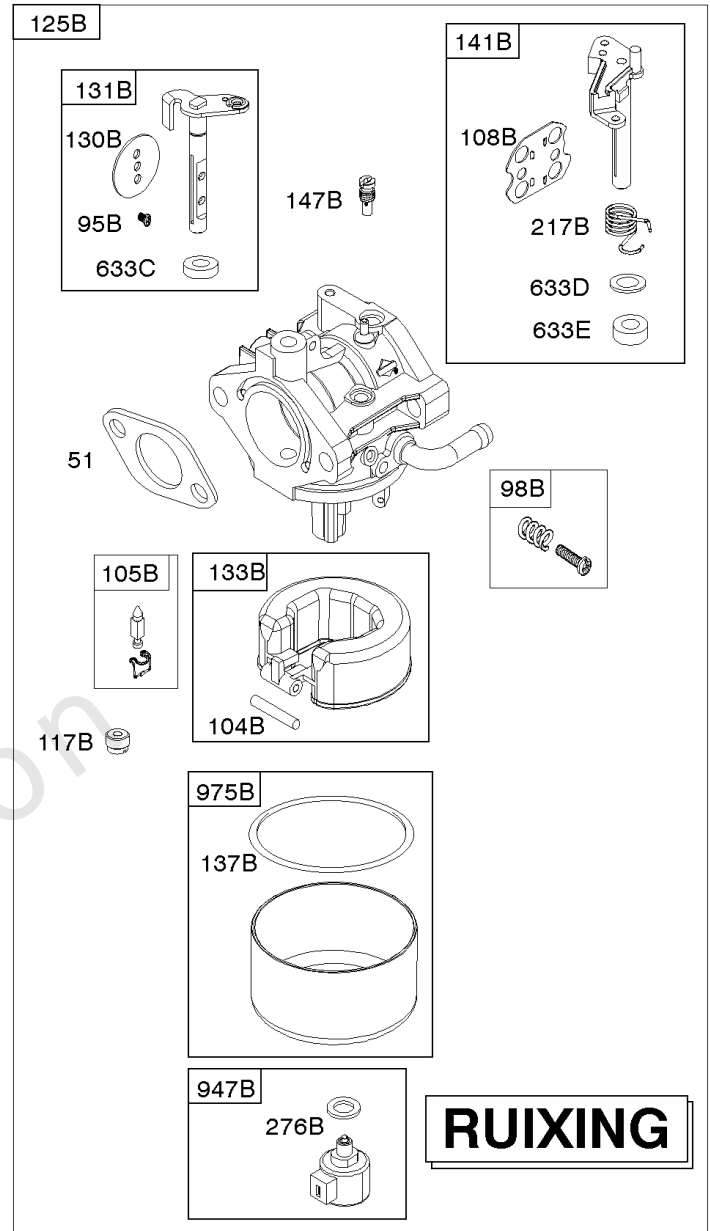
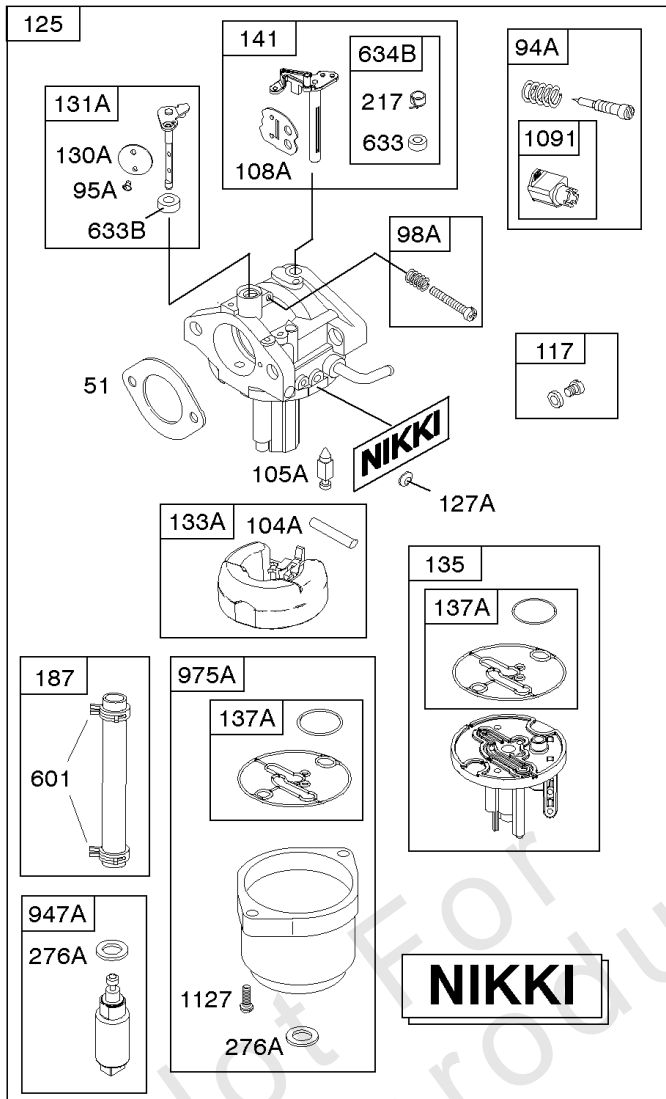
CARBURETOR, FUEL SUPPLY, KIT - CARBURETOR OVERHAUL

Mfg. No: 31R977-0052-G1



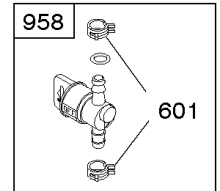
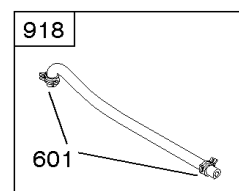
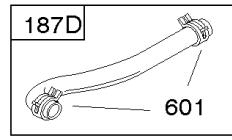
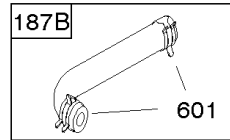
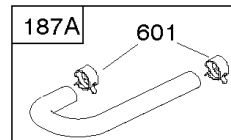
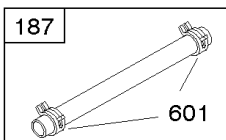
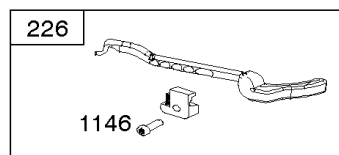
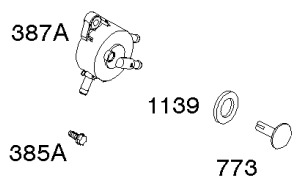
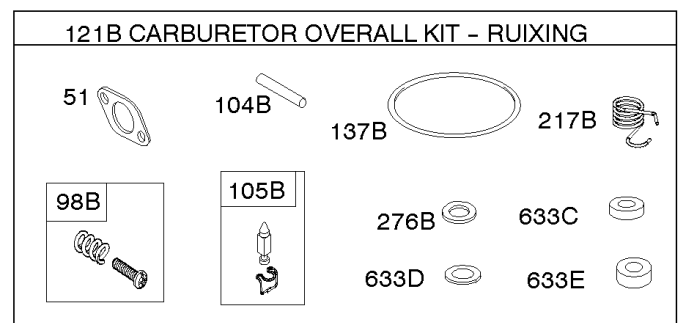
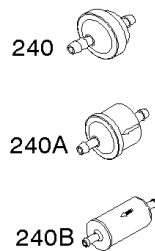
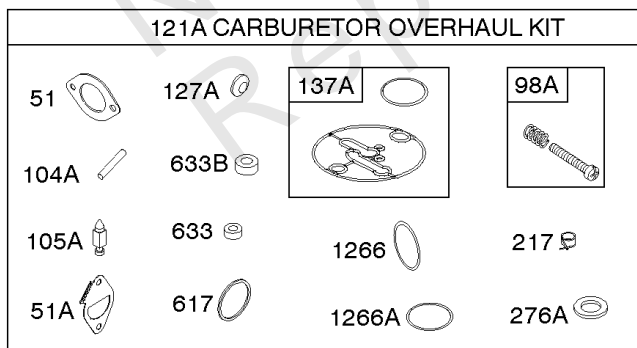
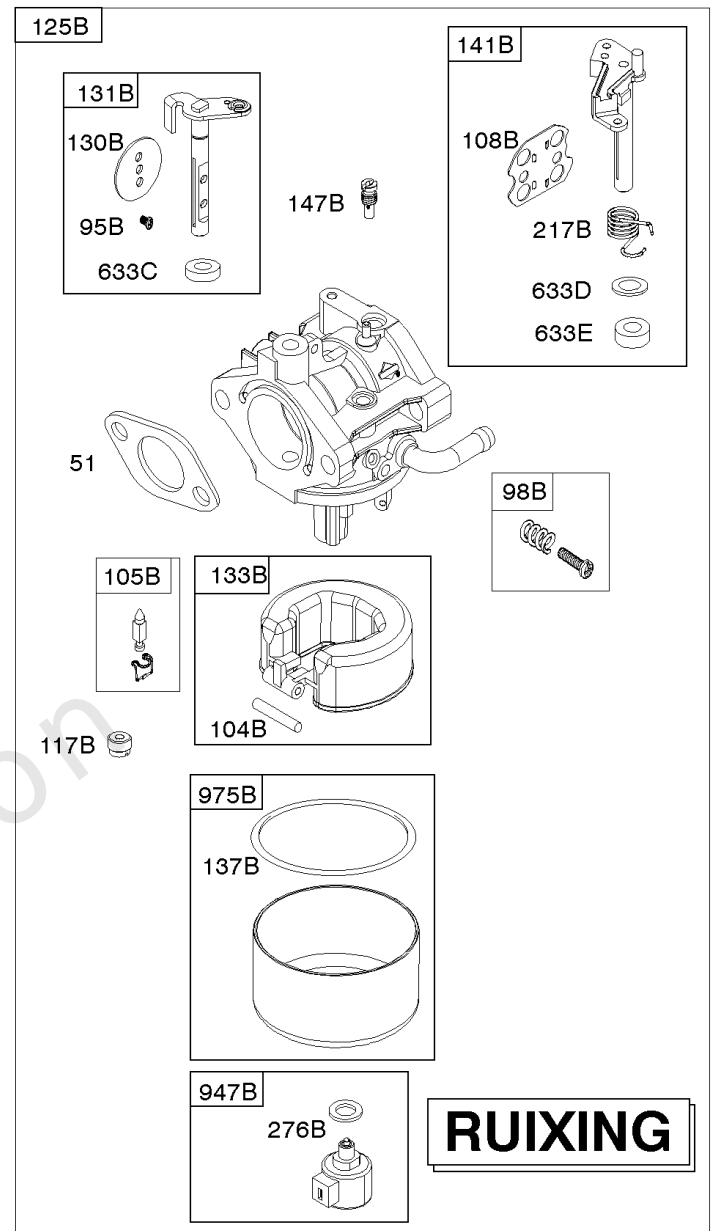
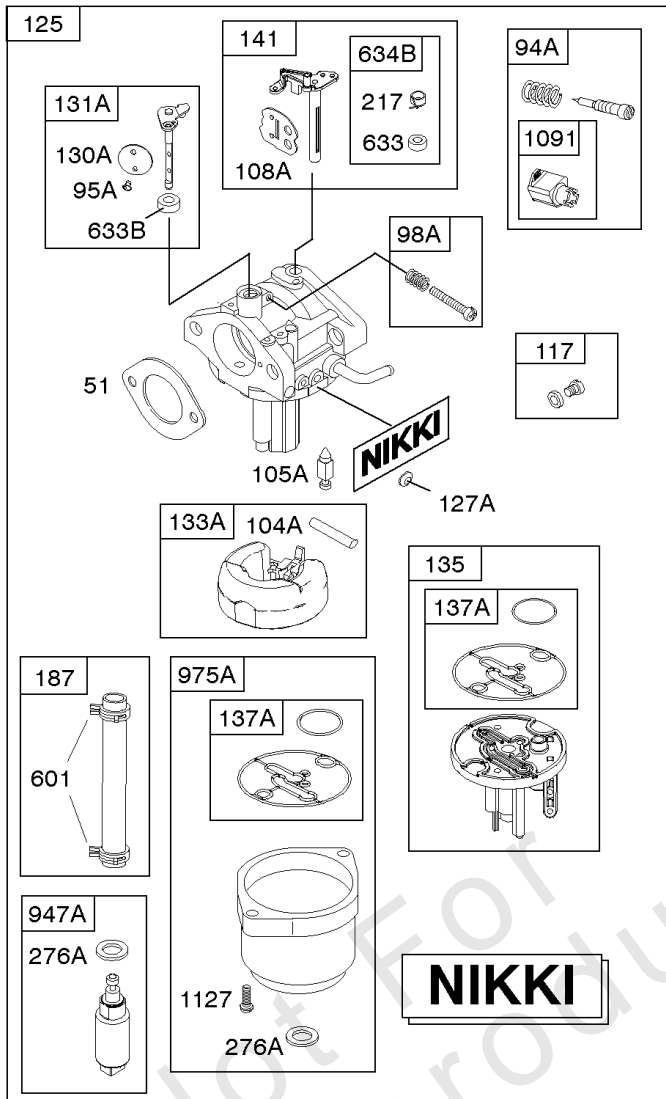
CARBURETOR, FUEL SUPPLY, KIT - CARBURETOR OVERHAUL

| REF NO | PART NO | QTY | DESCRIPTION |
|--------|---------|-----|--|
| 51 | 692137 | 1 | GASKET-INTAKE |
| 51A | 796081 | 1 | GASKET, Intake |
| 94A | 793610 | 1 | KIT, Idle Mixture -(Nikki) |
| 95A | 690718 | 2 | SCREW -(Throttle Valve) (Nikki) -Used Before Code Date 16010400 |
| 95B | 593897 | 2 | SCREW -(Throttle Valve) (Ruixing) -Used After Code Date 16010300 |
| 98A | 695408 | 1 | KIT, Idle Speed -(Nikki) -Used Before Code Date 16010400 |
| 98B | 846817 | 1 | KIT, Idle Speed -(Ruixing) -Used After Code Date 16010300 |
| 104A | 694918 | 1 | PIN, Float Hinge -(Nikki) -Used Before Code Date 16010400 |
| 104B | 594860 | 1 | PIN, Float Hinge -(Ruixing) -Used After Code Date 16010300 |
| 105A | 696136 | 1 | VALVE, Float Needle -(Nikki) -Used Before Code Date 16010400 |
| 105B | 594868 | 1 | VALVE, Float Needle -(Ruixing) -Used After Code Date 16010300 |
| 108A | 698773 | 1 | VALVE, Choke -(Nikki) -Used Before Code Date 16010400 |
| 108B | 594863 | 1 | VALVE, Choke -(Ruixing) -Used After Code Date 16010300 |
| 117 | 699733 | 1 | JET, Main -(Standard) (Nikki) -Used Before Code Date 16010400 |
| 117B | 595071 | 1 | JET, Main -(Standard) (Ruixing) -Used After Code Date 16010300 |
| 118 | 843099 | 1 | JET, Main -(High Altitude) (5000 Feet) -Used Before Code Date 16010400 |
| 118B | 595069 | 1 | JET, Main -(High Altitude) (5000 Feet) -Used After Code Date 16010300 |
| 121A | 796184 | 1 | KIT, Carburetor Overhaul -(Nikki) -Used Before Code Date 16010400 |
| 121B | 594886 | 1 | KIT, Carburetor Overhaul -(Ruixing) -Used After Code Date 16010300 |
| 125 | 591734 | 1 | CARBURETOR -(Nikki) -Used Before Code Date 16010400 |
| 125B | 594605 | 1 | CARBURETOR -(Ruixing) -Used After Code Date 16010300 |
| 127A | 690727 | 1 | PLUG, Welch -(Nikki) |
| 130A | 792747 | 1 | VALVE, Throttle -(Nikki) -Used Before Code Date 16010400 |



CARBURETOR, FUEL SUPPLY, KIT - CARBURETOR OVERHAUL

| REF NO | PART NO | QTY | DESCRIPTION |
|--------|----------|-----|--|
| 130B | 594858 | 1 | VALVE, Throttle -(Ruixing) -Used After Code Date 16010300 |
| 131A | 792765 | 1 | KIT, Throttle Shaft -(Nikki) -Used Before Code Date 16010400 |
| 131B | 594856 | 1 | KIT, Throttle Shaft -(Ruixing) -Used After Code Date 16010300 |
| 133A | 694914 | 1 | FLOAT, Carburetor -(Nikki) -Used Before Code Date 16010400 |
| 133B | 594859 | 1 | FLOAT, Carburetor -(Ruixing) -Used After Code Date 16010300 |
| 135 | 698780 | 1 | TUBE, Fuel Transfer |
| 137A | 698781 | 1 | GASKET, Float Bowl -(Nikki) -Used Before Code Date 16010400 |
| 137B | 594861 | 1 | GASKET, Float Bowl -(Ruixing) -Used After Code Date 16010300 |
| 141 | 698778 | 1 | KIT, Choke Shaft -(Nikki) -Used Before Code Date 16010400 |
| 141B | 594862 | 1 | KIT, Choke Shaft -(Ruixing) -Used After Code Date 16010300 |
| 147B | 594872 | 1 | JET, Pilot -(Ruixing) -Used After Code Date 16010300 |
| 187 | 791766 | 1 | LINE, Fuel -(Straight)(Cut To Required Length) |
| 187A | 796491 | 1 | LINE, Fuel -(Formed)(Cut To Required Length) |
| 187B | 791805 | 1 | LINE, Fuel -(Formed)(Cut To Required Length) |
| 187D | 791744 | 1 | LINE, Fuel -(Formed)(Cut To Required Length) |
| 217 | 695409 | 1 | SPRING, Choke Return -(Nikki) -Used Before Code Date 16010400 |
| 217B | 594864 | 1 | SPRING, Choke Return -(Ruixing) -Used After Code Date 16010300 |
| 240 | 394358S | 1 | FILTER, Fuel -(White, 75 Microns) |
| 240A | 84001895 | 1 | FILTER, Fuel -(Includes Paper Element With A 40 Micron Rating) |
| 240B | 695666 | 1 | FILTER, Fuel -(Includes Paper Element With A 30 Micron Rating) |
| 276A | 695410 | 1 | WASHER, Sealing -(Nikki) -Used Before Code Date 16010400 |
| 276B | 846640 | 1 | WASHER, Sealing -(Ruixing) -Used After Code Date 16010300 |
| 385A | 690297 | 2 | SCREW -(Regulator) (Fuel Pump) |
| 387A | 808656 | 1 | PUMP, Fuel |
| 601 | 791850 | 2 | CLAMP, Hose |
| 617 | 692138 | 1 | SEAL, O-Ring -(Intake Manifold) |

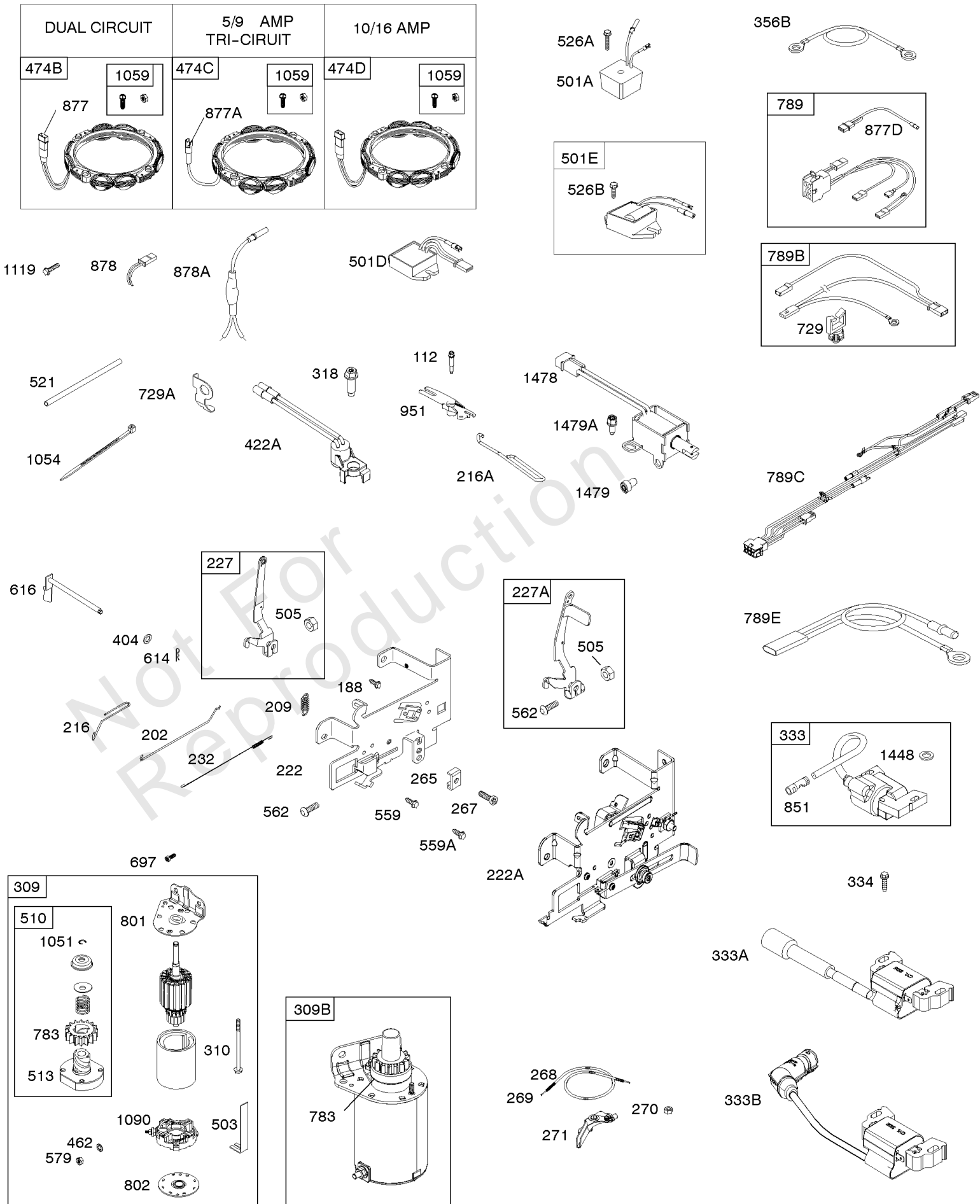


CARBURETOR, FUEL SUPPLY, KIT - CARBURETOR OVERHAUL

| REF NO | PART NO | QTY | DESCRIPTION |
|--------|---------|-----|--|
| 633 | 699813 | 1 | SEAL, Choke/Throttle Shaft -(Nikki) -Used Before Code Date 16010400 |
| 633B | 690998 | 1 | SEAL, Choke/Throttle Shaft -(Nikki) -Used Before Code Date 16010400 |
| 633C | 594866 | 1 | SEAL, Choke/Throttle Shaft -(Ruixing) -Used After Code Date 16010300 |
| 633D | 594865 | 1 | SEAL, Choke/Throttle Shaft -(Ruixing) -Used After Code Date 16010300 |
| 633E | 797629 | 1 | SEAL, Choke/Throttle Shaft -(Ruixing) -Used After Code Date 16010300 |
| 634B | 698779 | 1 | SPRING/SEAL ASSEMBLY -(Nikki) |
| 773 | 796448 | 2 | RETAINER |
| 918 | 791851 | 1 | HOSE, Vacuum -(Fuel Pump) |
| 947A | 699915 | 1 | SOLENOID, Fuel -(Nikki) -Used Before Code Date 16010400 |
| 947B | 846639 | 1 | SOLENOID, Fuel -(Ruixing) -Used After Code Date 16010300 |
| 958 | 698183 | 1 | VALVE, Fuel Shut Off |
| 975A | 699502 | 1 | BOWL, Float -(Nikki) -Used Before Code Date 16010400 |
| 975B | 594867 | 1 | BOWL, Float -(Ruixing) -Used After Code Date 16010300 |
| 1091 | 691333 | 1 | CAP, Limiter |
| 1127 | 695407 | 1 | SCREW -(Float Bowl) (Float Bowl to Carburetor Body) |
| 1139 | 796449 | 2 | WASHER -(Fuel Pump Bracket) |
| 1146 | 793380 | 1 | SCREW -(Choke Shaft) |
| 1266 | 691917 | 1 | SEAL, O-Ring -(Intake Elbow) |
| 1266A | 697123 | 1 | SEAL, O-Ring -(Intake Elbow) |

CONTROLS, ALTERNATOR, WIRE ASSY, ELECTRIC STARTER, GOVERNOR SPRING,

Mfg. No: 31R977-0052-G1

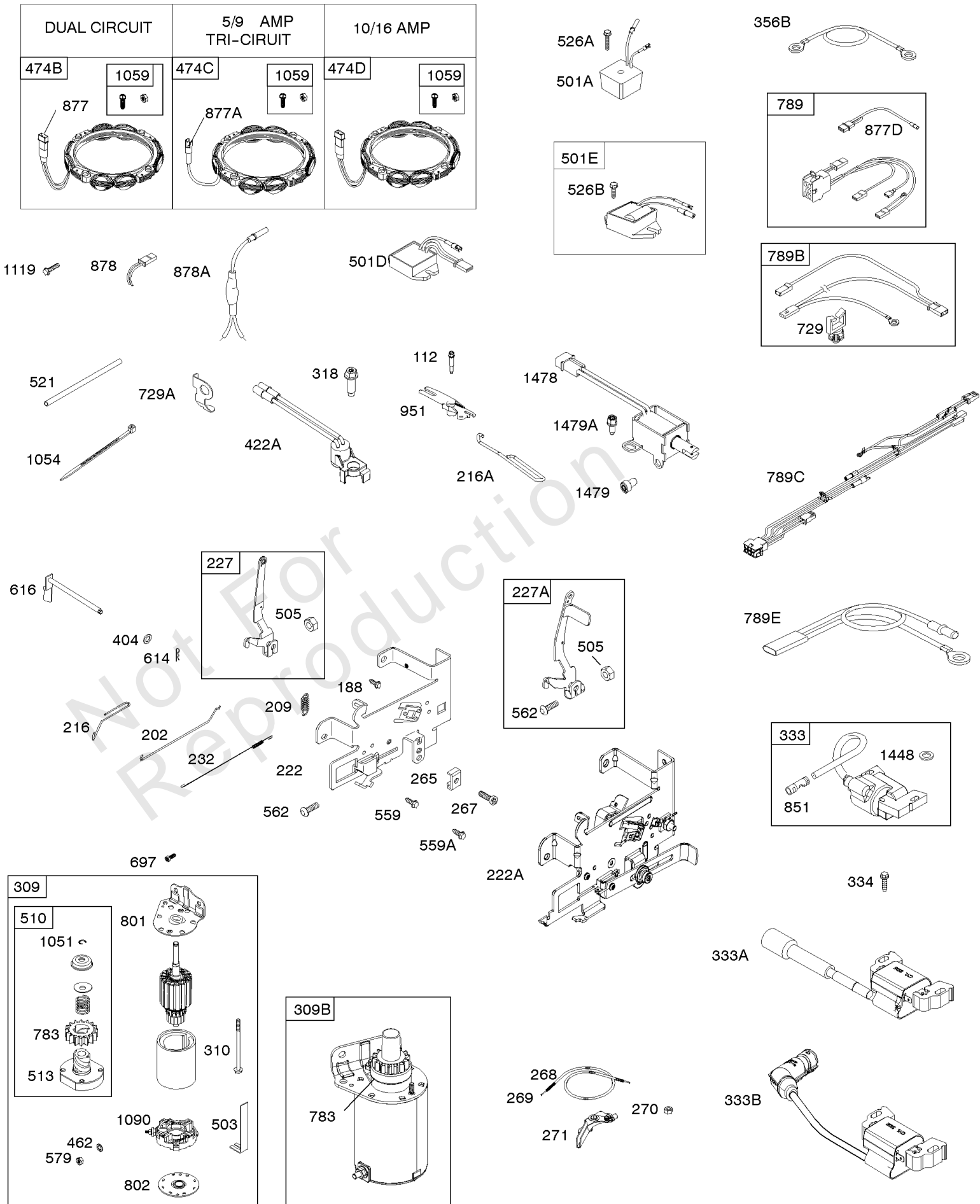


CONTROLS, ALTERNATOR, WIRE ASSY, ELECTRIC STARTER, GOVERNOR SPRING,

| REF NO | PART NO | QTY | DESCRIPTION |
|--------|---------|-----|--|
| 112 | 593040 | 1 | SCREW -(Choke Lever) |
| 188 | 691693 | 1 | SCREW -(Control Bracket) |
| 202 | 691841 | 1 | LINK, Mechanical Governor |
| 209 | 792813 | 1 | SPRING, Governor |
| 216 | 691840 | 1 | LINK, Choke |
| 216A | 593043 | 1 | LINK, Choke |
| 222 | 694042 | 1 | BRACKET, Control |
| 227 | 691374 | 1 | LEVER, Governor Control |
| 232 | 691842 | 1 | SPRING, Governor Link |
| 265 | 691024 | 1 | CLAMP, Casing |
| 267 | 794904 | 1 | SCREW -(Casing Clamp) |
| 268 | 691025 | 1 | CASING, Control Wire -(Cut To Required Length) |
| 269 | 691026 | 1 | WIRE, Control -(Cut To Required Length) |
| 270 | 691027 | 1 | NUT -(Control Wire Casing) |
| 271 | 691028 | 1 | LEVER, Control |
| 309 | 593934 | 1 | MOTOR, Starter |
| 310 | 690323 | 2 | SCREW -(Starter Motor) (#10-24x4.4" Long) |
| 318 | 594384 | 1 | SCREW -(Mounting Bracket) |
| 333 | 799650 | 1 | ARMATURE, Magneto -Used Before Code Date 16081000 |
| 333A | 594626 | 1 | ARMATURE, Magneto -Used After Code Date 16080900 -Used Before Code Date 16100100 |
| 333B | 595304 | 1 | ARMATURE, Magneto -(EMC Compliant) -Used After Code Date 16093000 |
| 334 | 691061 | 2 | SCREW -(Magneto Armature) |
| 356B | 697089 | 1 | WIRE, Stop |
| 404 | 691691 | 2 | WASHER -(Governor Crank) |
| 422A | 593056 | 1 | SWITCH, Snap |
| 462 | 691261 | 2 | WASHER -(Starter Cable) |
| 474C | 592829 | 1 | ALTERNATOR -(5 or 9 Amp. Tri Circuit, Regulated) |
| 501A | 794360 | 1 | REGULATOR -(5/9 Amp.) |
| 503 | 691532 | 1 | STRAP, Starter |
| 505 | 691251 | 1 | NUT -(Governor Control Lever) |
| 510 | 693699 | 1 | DRIVE, Starter |
| 513 | 692024 | 1 | CLUTCH, Drive |
| 521 | 690581 | 1 | SHIELD, Cable |
| 526A | 697088 | 1 | SCREW -(Regulator) |
| 526B | 697348 | 1 | SCREW -(Regulator) |
| 559 | 697561 | | SCREW -(Remote Choke Stop) (Length .375 Inches) |

CONTROLS, ALTERNATOR, WIRE ASSY, ELECTRIC STARTER, GOVERNOR SPRING,

Mfg. No: 31R977-0052-G1

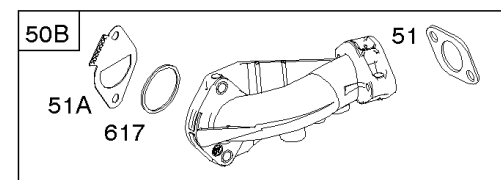
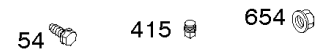
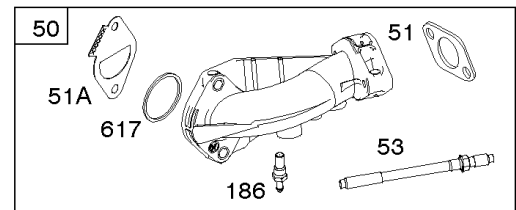
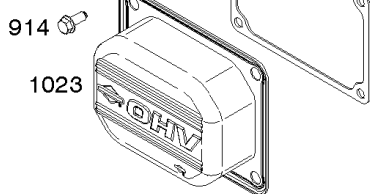
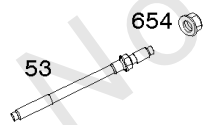
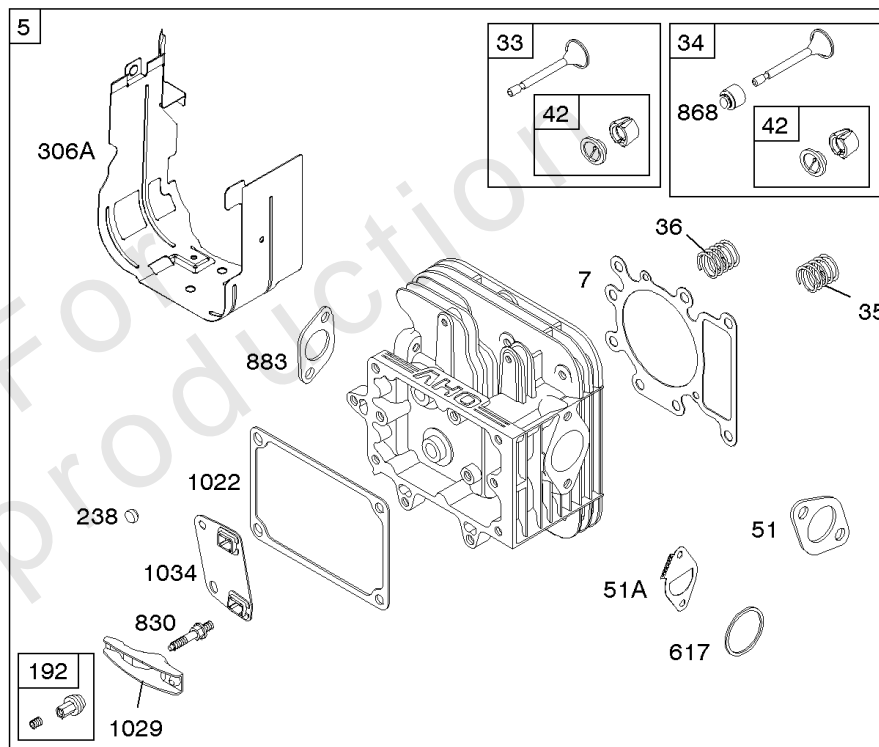
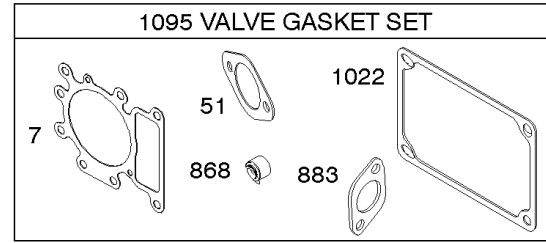
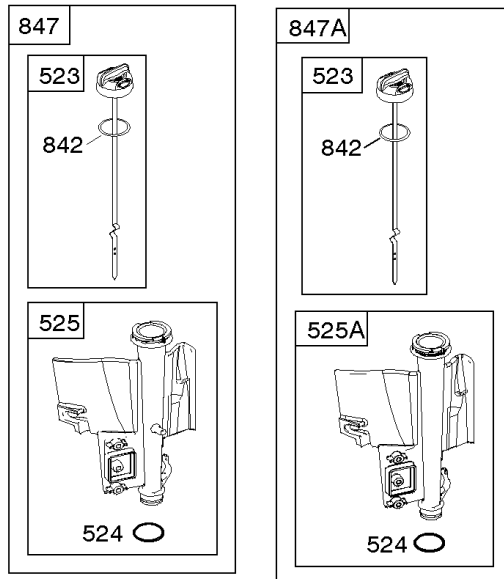
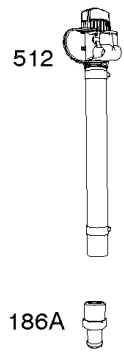


CONTROLS, ALTERNATOR, WIRE ASSY, ELECTRIC STARTER, GOVERNOR SPRING,

| REF NO | PART NO | QTY | DESCRIPTION |
|--------|---------|-----|--|
| 559A | 693675 | | SCREW -(Remote Choke Stop) (Length .419 Inches) |
| 562 | 691119 | 1 | BOLT -(Governor Control Lever) |
| 579 | 691029 | 1 | NUT -(Starter Cable) |
| 614 | 691620 | 1 | PIN, Cotter |
| 616 | 692012 | 1 | CRANK, Governor |
| 697 | 791680 | 2 | SCREW -(Starter Motor) (Drive Cap) |
| 729 | 691335 | 1 | CLIP, Wire -(Wire Saddle) |
| 729A | 691224 | 1 | CLIP, Wire -(Aluminum Coated Steel) |
| 783 | 593935 | 1 | GEAR, Pinion |
| 789 | 698329 | 1 | HARNESS, Wiring |
| 789E | 594999 | 1 | HARNESS, Wiring |
| 801 | 691283 | 1 | CAP, Drive |
| 802 | 691286 | 1 | CAP, End |
| 851 | 692424 | 1 | TERMINAL, Spark Plug |
| 877D | 790544 | 1 | WIRE/CONNECTOR, Alternator |
| 878 | 398661 | 1 | HARNESS, Wiring -(Dual Circuit) |
| 878A | 691955 | 1 | HARNESS, Alternator -(Tri Circuit) |
| 951 | 593039 | 1 | LEVER, Choke |
| 1051 | 691265 | 1 | RING, Retaining |
| 1054 | 280275 | | TIE, Cable |
| 1059 | 698516 | 1 | KIT, Screw/Washer |
| 1090 | 691293 | 1 | RETAINER, Brush |
| 1119 | 691183 | 4 | SCREW -(Alternator) |
| 1448 | 690260 | 2 | WASHER -(Magneto Armature) |
| 1478 | 593037 | 1 | SOLENOID, Choke |
| 1479 | 593041 | 1 | SCREW -(Choke Solenoid) |
| 1479A | 593042 | 1 | SCREW -(Choke Solenoid) |

CYLINDER HEAD, INTAKE MANIFOLD, OIL FILL, VALVES

Mfg. No: 31R977-0052-G1

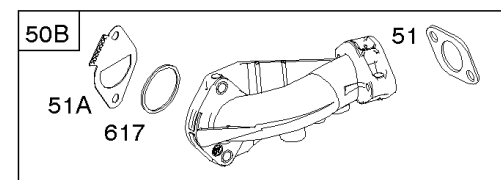
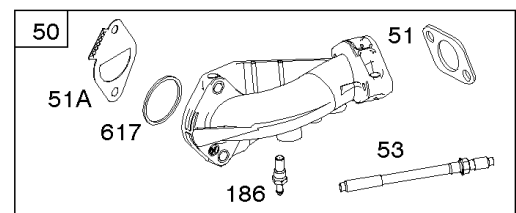
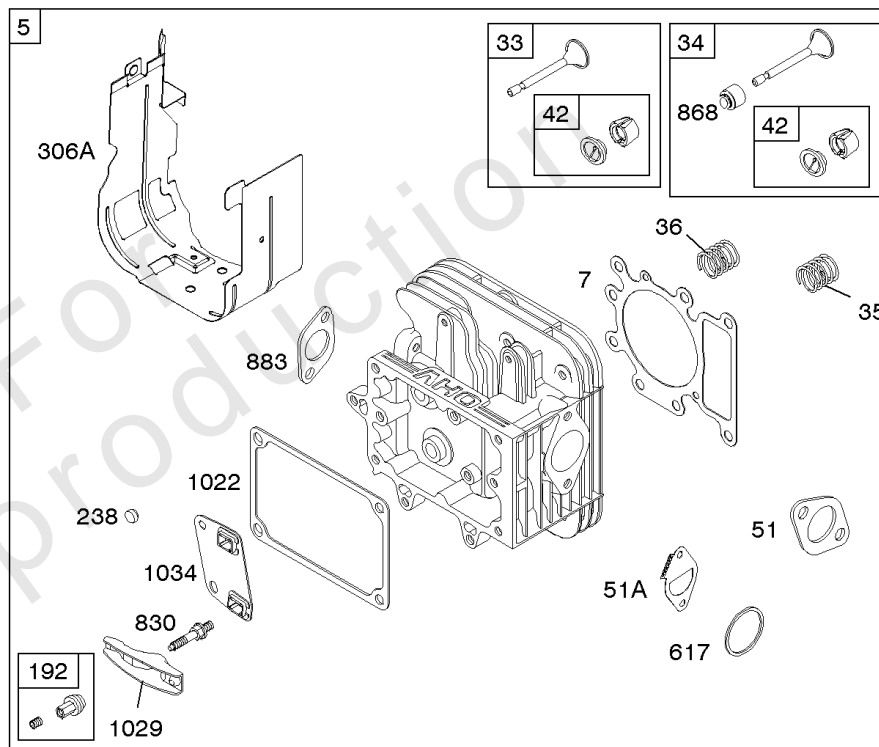
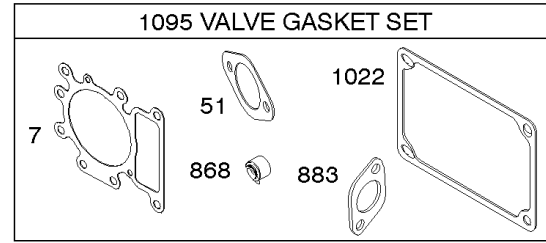
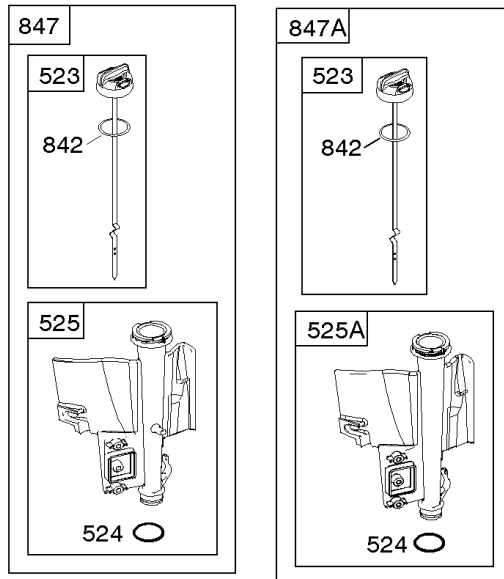
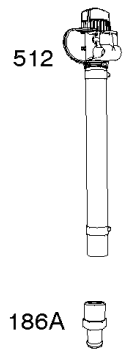


CYLINDER HEAD, INTAKE MANIFOLD, OIL FILL, VALVES

| REF NO | PART NO | QTY | DESCRIPTION |
|--------|----------|-----|---|
| 5 | 796026 | 1 | HEAD-CYLINDER |
| 7 | 796584 | 1 | GASKET, Cylinder Head |
| 13 | 592244 | 8 | SCREW -(Cylinder Head) (5/16-18 x 2.69) |
| 33 | 792868 | 1 | VALVE, Exhaust |
| 34 | 791935 | 1 | VALVE, Intake |
| 35 | 691279 | 1 | SPRING, Valve -(Intake) |
| 36 | 691279 | 1 | SPRING, Valve -(Exhaust) |
| 42 | 499586 | 2 | KEEPER, Valve |
| 45 | 690564 | 2 | TAPPET, Valve |
| 50 | 591248 | 1 | MANIFOLD, Intake |
| 50B | 592842 | 1 | MANIFOLD-INTAKE |
| 51 | 692137 | 1 | GASKET-INTAKE |
| 51A | 796081 | 1 | GASKET, Intake |
| 53 | 591260 | 2 | STUD -(Carburetor) |
| 54 | 691148 | 2 | SCREW -(Intake Manifold) |
| 186 | 794873 | 1 | CONNECTOR, Hose |
| 186A | 796532 | 1 | CONNECTOR, Hose |
| 192 | 691986 | 2 | ADJUSTER, Rocker Arm |
| 238 | 691843 | 2 | CAP, Valve |
| 306A | 794953 | 1 | SHIELD, Cylinder |
| 307 | 691693 | 6 | SCREW -(Cylinder Shield) |
| 337 | 491055S | 1 | PLUG, Spark -(Resistor) |
| 337 | 792015 | 1 | PLUG, Spark -(Resistor EMS) |
| 337 | 84007216 | 1 | PLUG, SPARK -(China Only) |
| 383 | 19576S | 1 | WRENCH, Spark Plug -(5/8 & 13/16, 8" Long) |
| 415 | 794903 | 1 | PLUG -(Engine Sump) |
| 512 | 594200 | 1 | HOSE, Oil Drain |
| 523 | 699908 | 1 | DIPSTICK |
| 524 | 691032 | 1 | SEAL, O-Ring |
| 525 | 697085 | 1 | TUBE, Dipstick |
| 525A | 697184 | 1 | TUBE, Dipstick -(Standard Dipstick Tube) |
| 617 | 692138 | 1 | SEAL, O-Ring -(Intake Manifold) |
| 635 | 691909 | 1 | BOOT, Spark Plug |
| 654 | 690958 | 2 | NUT -(Carburetor) |
| 830 | 691095 | 2 | STUD, Rocker Arm |
| 842 | 691031 | 1 | SEAL, O-Ring -(Dipstick Tube) (Special Dipstick Tube) |
| 847 | 790443 | 1 | DIPSTICK/TUBE ASSEMBLY |
| 847A | 790442 | 1 | DIPSTICK/TUBE ASSEMBLY -(Standard Dipstick Tube) |
| 850 | 100106 | | SEALANT, Liquid -(Rocker Cover Gasket and Breather Gasket) |

CYLINDER HEAD, INTAKE MANIFOLD, OIL FILL, VALVES

Mfg. No: 31R977-0052-G1



CYLINDER HEAD, INTAKE MANIFOLD, OIL FILL, VALVES

| REF NO | PART NO | QTY | DESCRIPTION |
|--------|---------|-----|---|
| 868 | 690968 | 1 | SEAL, Valve |
| 883 | 692236 | 2 | GASKET, Exhaust |
| 914 | 691108 | 4 | SCREW -(Rocker Cover) |
| 1022 | 272475S | 2 | GASKET, Rocker Cover -(Use Liquid Sealant Reference 850) |
| 1023 | 797421 | 1 | COVER-ROCKER |
| 1026 | 692003 | 1 | ROD, Push -(Intake) |
| 1026 | 692011 | 1 | ROD, Push -(Exhaust) |
| 1029 | 691751 | 2 | ARM, Rocker |
| 1034 | 690822 | 1 | GUIDE, Push Rod |
| 1095 | 794152 | 1 | GASKET SET, Valve |

Not For Reproduction

Replacement Engine - US & Canada

| REF NO | PART NO | QTY | DESCRIPTION |
|--------|--------------|-----|--|
| | 31R9770054G1 | 1 | Replacement Engine |
| | 592060 | 1 | Replacement Short Block |
| | ----- | | Top No-Load Speed: 3350 -Trim: G1 |
| | ----- | | Service Note: If the original engine is equipped with a Six Pin Wiring Harness transfer to the replacement engine. |

Not For Reproduction

