

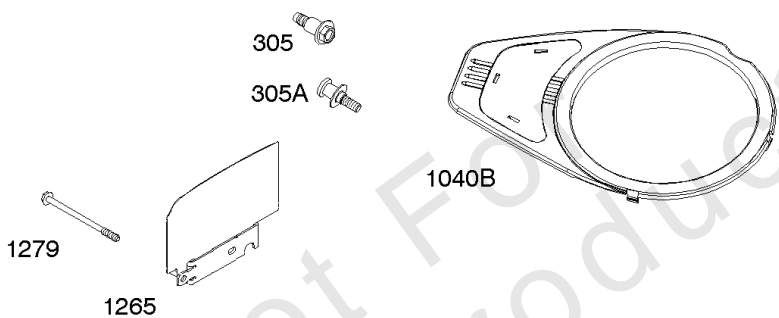
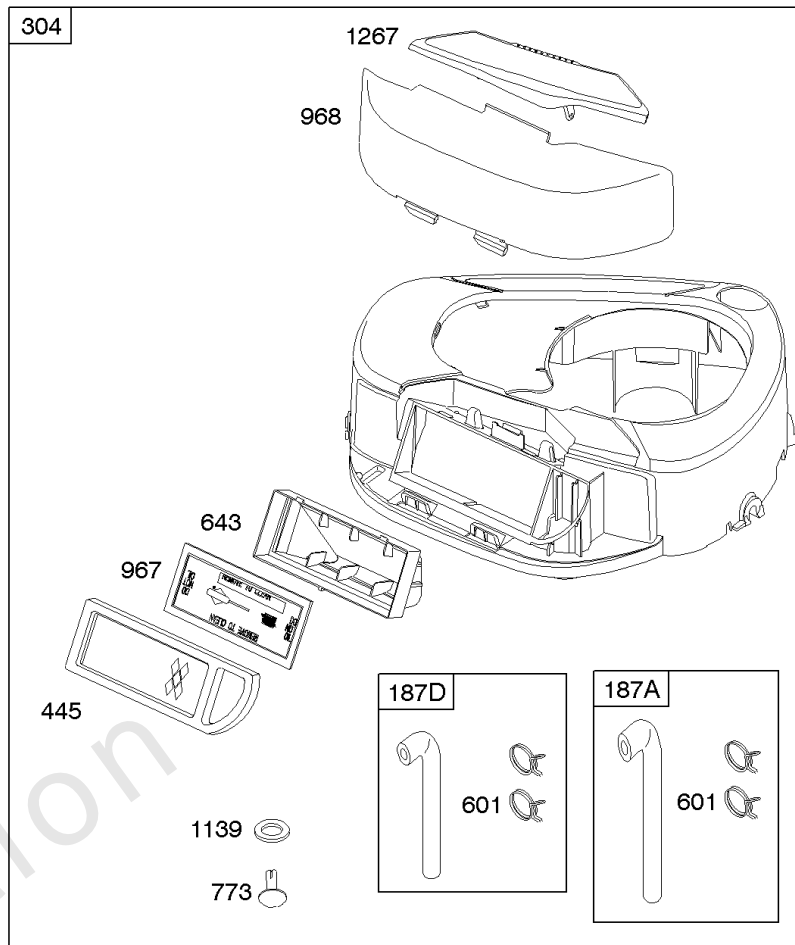
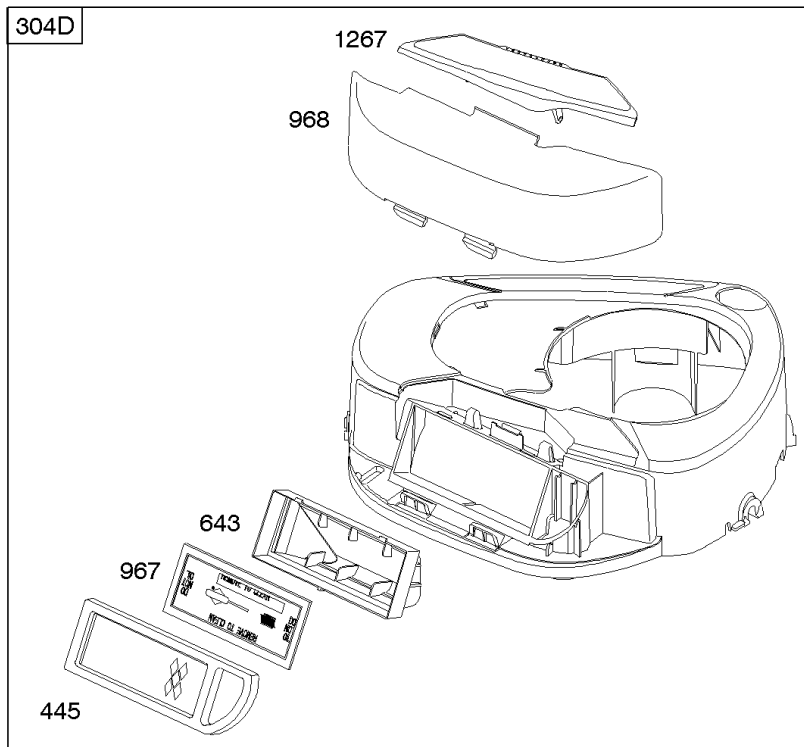


Parts Manual

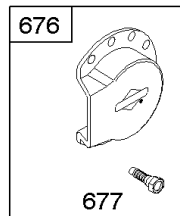
Mfg. No: 31H777-0168-E1

Model Components	Page
Air Cleaner, Blower Housing, Exhaust System.	4
Alternator, Controls, Electric Starter, Governor Spring, Ignition.	6
Camshaft, Crankshaft, Cylinder, Operator's Manual, Piston, Rings, Connecting Rod, Warning Label.	10
Carburetor, Kit - Carburetor Overhaul.	14
Cylinder Head, Gasket Set - Engine, Gasket Set - Valve, Intake Manifold, Lubrication, Valves.	18
Engine Sump, Fuel Supply.	22
Flywheel.	24
Replacement Engine - US & Canada.	26

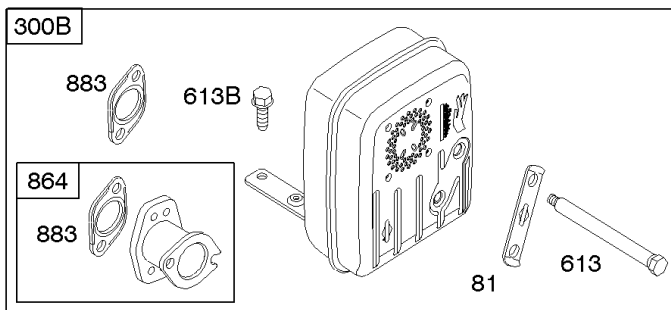
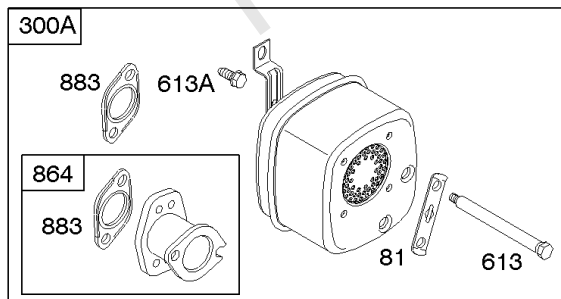
Not For
Reproduction



1036 EMISSIONS LABEL



1036A



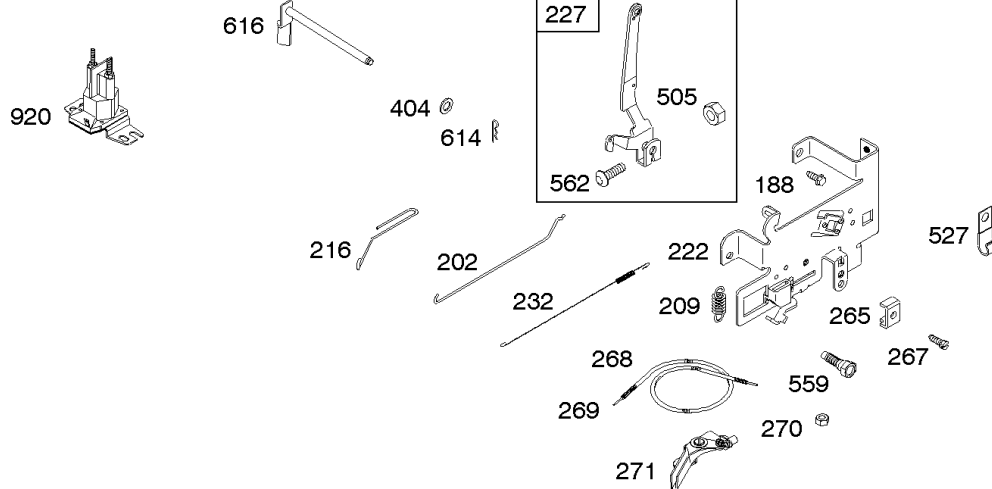
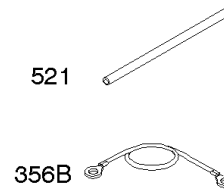
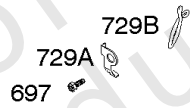
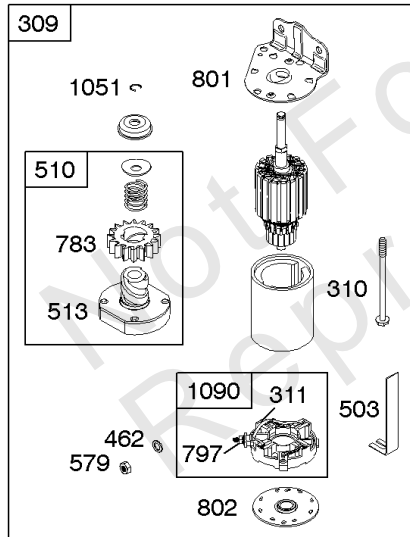
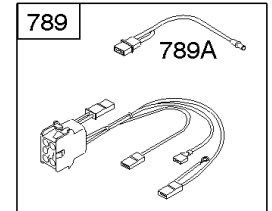
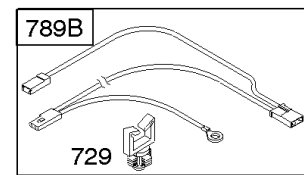
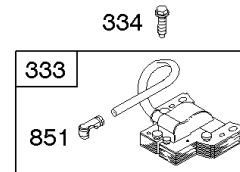
Air Cleaner, Blower Housing, Exhaust System

REF NO	PART NO	QTY	DESCRIPTION
81	691178		LOCK, Muffler Screw
187A	791806		LINE, Fuel -(Formed)(21)(Cut to Required Length)
187D	791744		LINE, Fuel -(Formed)(14 Inches Long)(Cut To Required Length)
304	796416		HOUSING, Blower -(Black) -Used After Code Date 04091900
304D	790929		HOUSING, Blower -(Red) -Used After Code Date 04091900
304D	698804		HOUSING, Blower -Used Before Code Date 04092000
305	697102		SCREW -(Blower Housing)
305A	793376		SCREW -(Blower Housing)
445	698083		FILTER, A/C Cartridge -(Non Washable)
601	791850		CLAMP, Hose
613	691416		SCREW -(Muffler)
613A	691678		SCREW -(Muffler)
613B	690297		SCREW -(Muffler)
643	698401		RETAINER, Air Filter
677	690661		SCREW -(Muffler Deflector)
773	796448		RETAINER
823	698941		SCREW -(Muffler Adapter)
864	794661		ADAPTER, Muffler
883	692236		GASKET, Exhaust
967	697015		FILTER, Pre Cleaner
968	698403		COVER, Air Cleaner -(Black)
1036	-----		Label-Emissions -(Available From A Briggs & Stratton Authorized Dealer)
1139	796449		WASHER -(Fuel Pump Bracket)
1265	697125		SUPPORT, Blower Housing
1267	697419		LATCH, Blower Housing -(Black) -Used After Code Date 04091900
1267	697424		LATCH, Blower Housing -(Red) -Used After Code Date 04091900
1267	697419		LATCH, Blower Housing -(Black) -Used After Code Date 08082400
1267	697135		LATCH, Blower Housing -Used Before Code Date 04092000
1279	691108		SCREW -(Blower Housing Support)

DUAL CIRCUIT		TRI CIRCUIT		10 AMP	
474B	1059	474C	1059	474D	1059
878		878A	5/9 AMP REGULATED 501A	578	10/16 AMP REGULATED 526B 501D

NOTE: All stators use a No. 1119 mounting screw.

NOTE: The proper flywheel part number and/or the alternator magnet size will determine the alternator type or output. See repair instruction manual for additional information.



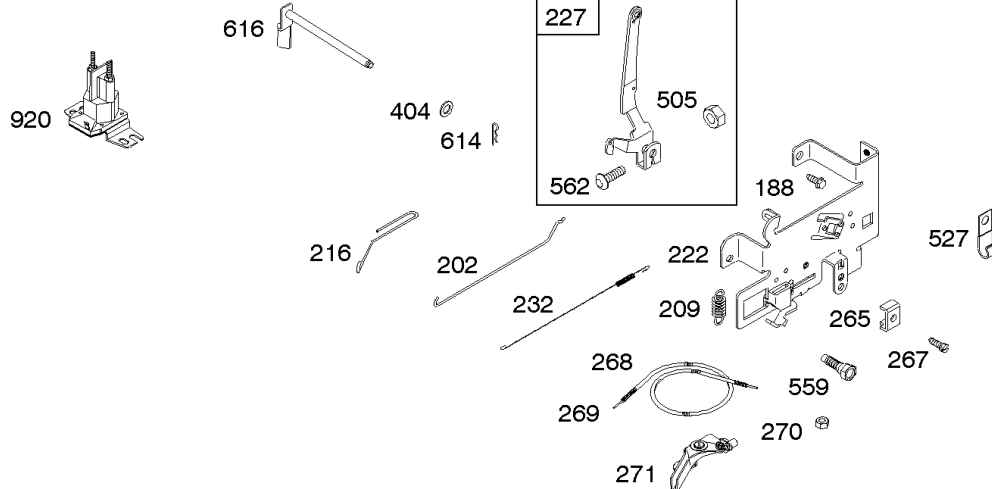
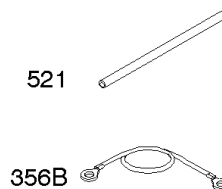
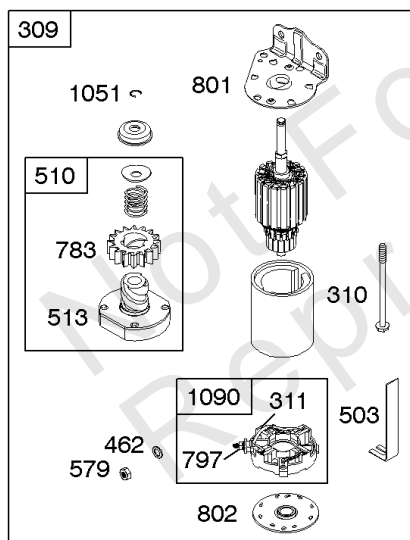
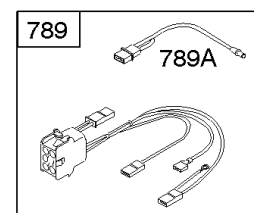
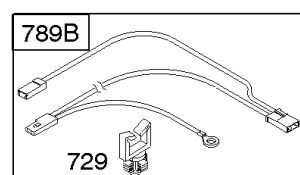
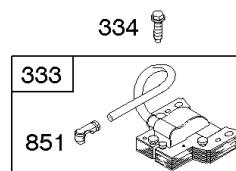
Alternator, Controls, Electric Starter, Governor Spring, Ignition

REF NO	PART NO	QTY	DESCRIPTION
10	697157		SCREW -(Breather Assembly)
188	691693		SCREW -(Control Bracket)
202	691841		LINK, Mechanical Governor
209	692208		SPRING, Governor
216	691840		LINK, Choke
222	694042		BRACKET, Control
227	691374		LEVER, Governor Control
232	691842		SPRING, Governor Link
265	691024		CLAMP, Casing
267	794904		SCREW -(Casing Clamp)
268	691025		CASING, Control Wire -(Cut To Required Length)
269	691026		WIRE, Control -(Cut To Required Length)
270	691027		NUT -(Control Wire Casing)
271	691028		LEVER, Control
309	693551		MOTOR, Starter
310	690323		SCREW -(Starter Motor)
311	497608		SET, Brush
333	795315		ARMATURE, Magneto
334	691061		SCREW -(Magneto Armature)
356B	697089		WIRE, Stop
404	691691		WASHER -(Governor Crank)
462	691261		WASHER -(Starter Cable)
474D	696458		ALTERNATOR -(10 Amp Regulated)
501D	691185		REGULATOR -(10 and 16 Amp Regulated)
503	691532		STRAP, Starter
505	691251		NUT -(Governor Control Lever)
510	693699		DRIVE, Starter
513	692024		CLUTCH, Drive
526B	697348		SCREW -(Regulator)
562	691119		BOLT -(Governor Control Lever)
578	692306		WIRE ASSEMBLY
579	691029		NUT -(Starter Cable)
614	691620		PIN, Cotter
616	692012		CRANK, Governor
697	690372		SCREW -(Drive Cap)
729	691335		CLIP, Wire -(Wire Saddle)
729A	691224		CLIP, Wire -(Aluminum Coated Steel)
729B	694123		CLIP, Wire -(Nylon)

DUAL CIRCUIT		TRI CIRCUIT		10 AMP	
474B	1059	474C	1059	474D	1059
878	878A	501A	526A	578	526B 501D
		5/9 AMP REGULATED			10/16 AMP REGULATED

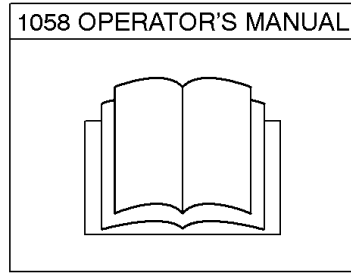
NOTE: All stators use a No. 1119 mounting screw.

NOTE: The proper flywheel part number and/or the alternator magnet size will determine the alternator type or output. See repair instruction manual for additional information.



Alternator, Controls, Electric Starter, Governor Spring, Ignition

REF NO	PART NO	QTY	DESCRIPTION
783	693713		GEAR, Pinion
789	698329		HARNESS, Wiring
789A	790544		WIRE/CONNECTOR, Alternator
789B	692037		HARNESS-WIRING
797	693167		NUT -(Brush Retainer)
801	691283		CAP, Drive
802	691286		CAP, End
851	692424		TERMINAL, Spark Plug
877	393456		WIRE/CONNECTOR, Alternator -(Dual Circuit)
877B	393537		WIRE/CONNECTOR, Alternator -(Tri Circuit)
877C	399916		WIRE/CONN-ALTERNATOR -(10 Amp Regulated)
878	398661		HARNESS, Wiring -(Alternator to Regulator)
878A	691955		HARNESS, Alternator -(Alternator to Regulator)
1051	691265		RING, Retaining
1054	280275		TIE, Cable
1059	698516		KIT, Screw/Washer
1090	691293		RETAINER, Brush
1119	691183		SCREW -(Alternator)

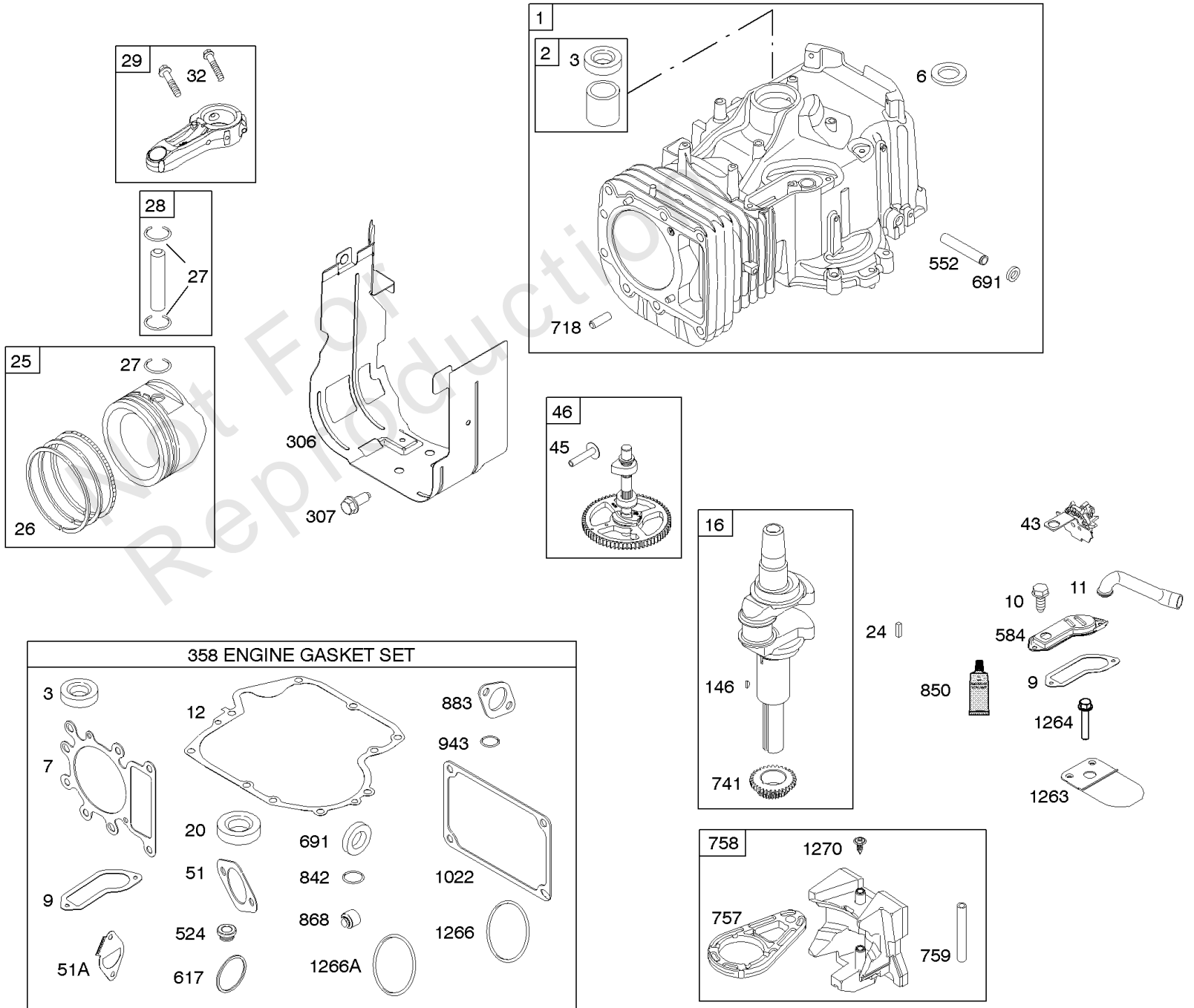


1319 WARNING LABEL

WARNING

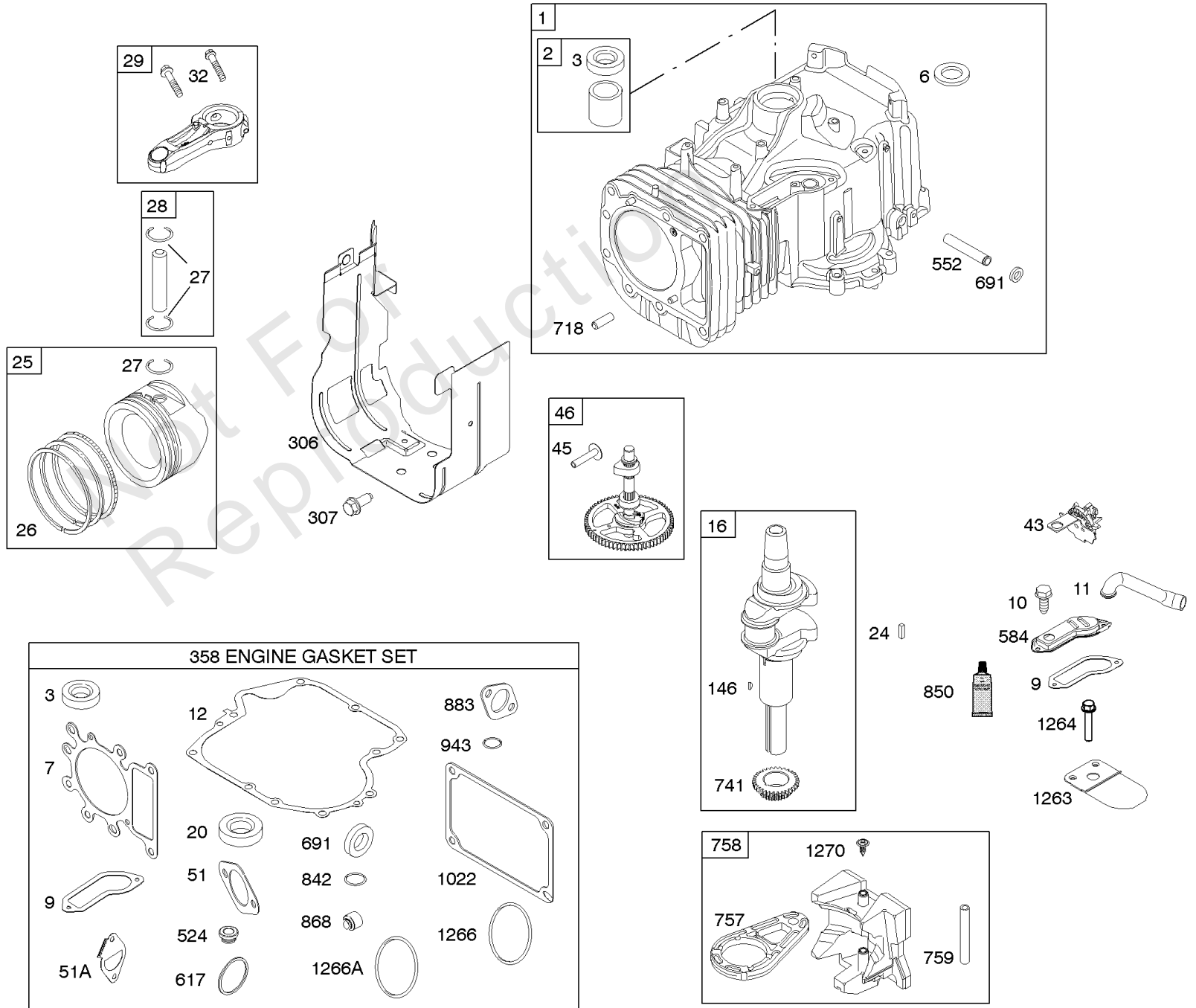
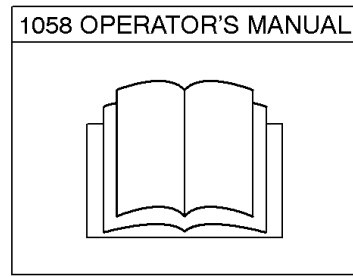
- Read and follow Operating Instructions before running engine.
- Gasoline is flammable. Allow engine to cool at least 2 minutes before refueling.
- Engines emit carbon monoxide, **DO NOT** run in enclosed area.
- Muffler area temperature may exceed 150°F. Do not touch hot parts.

REQUIRED when replacing parts with warning labels affixed.



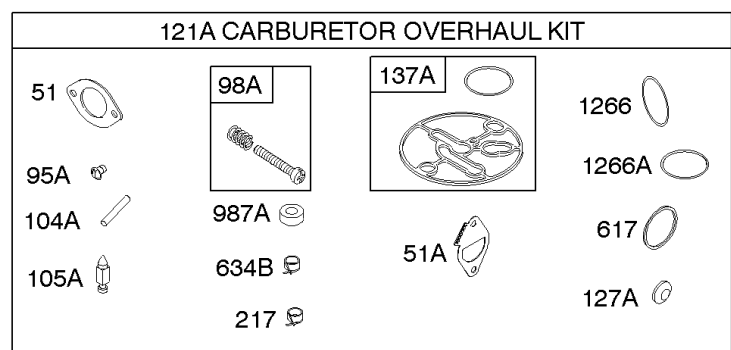
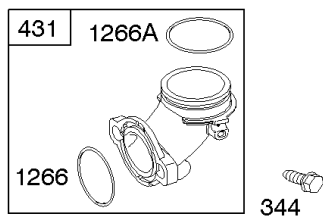
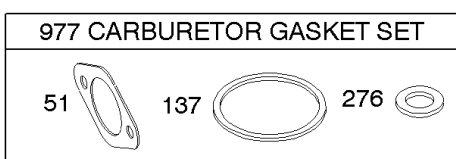
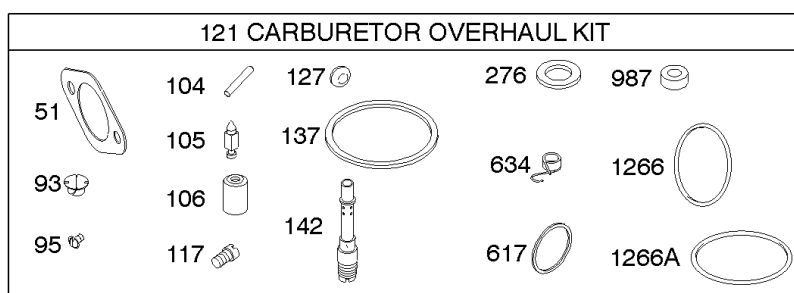
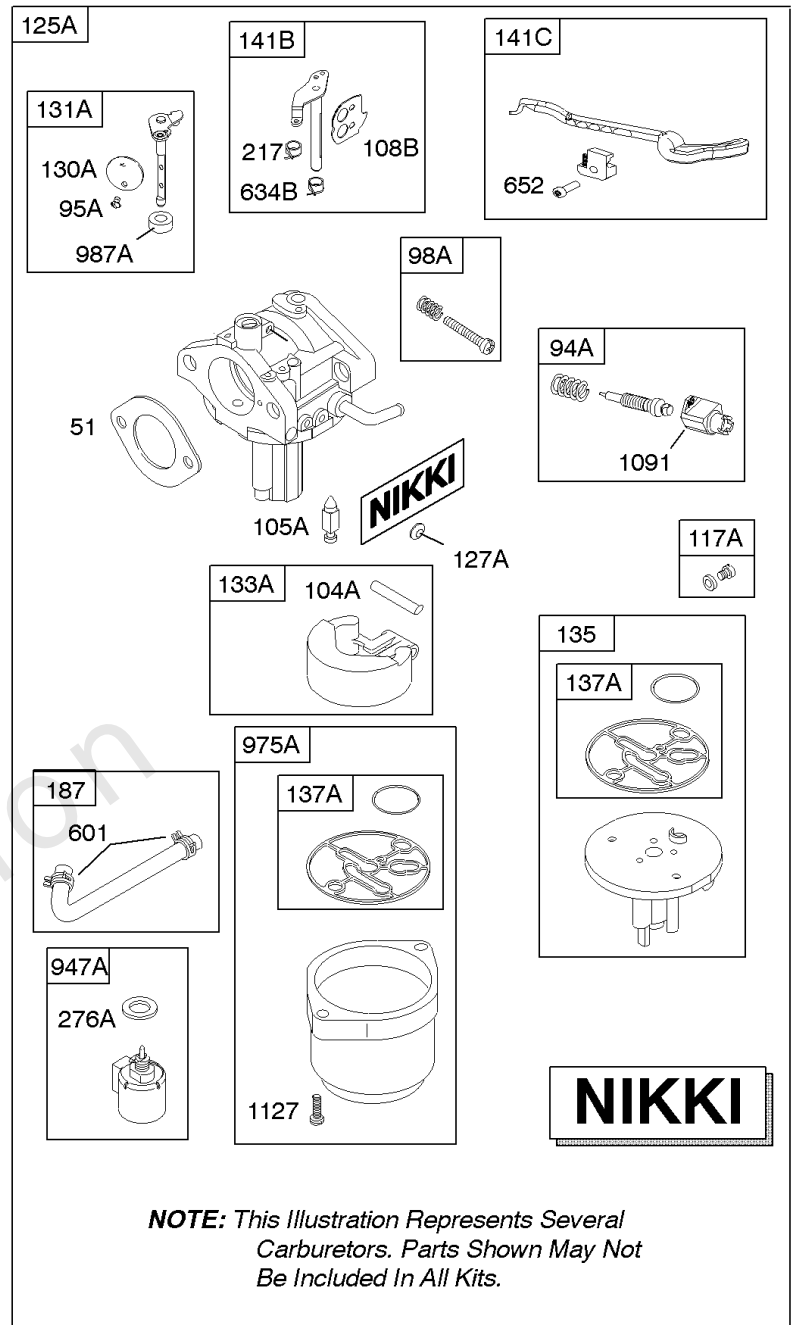
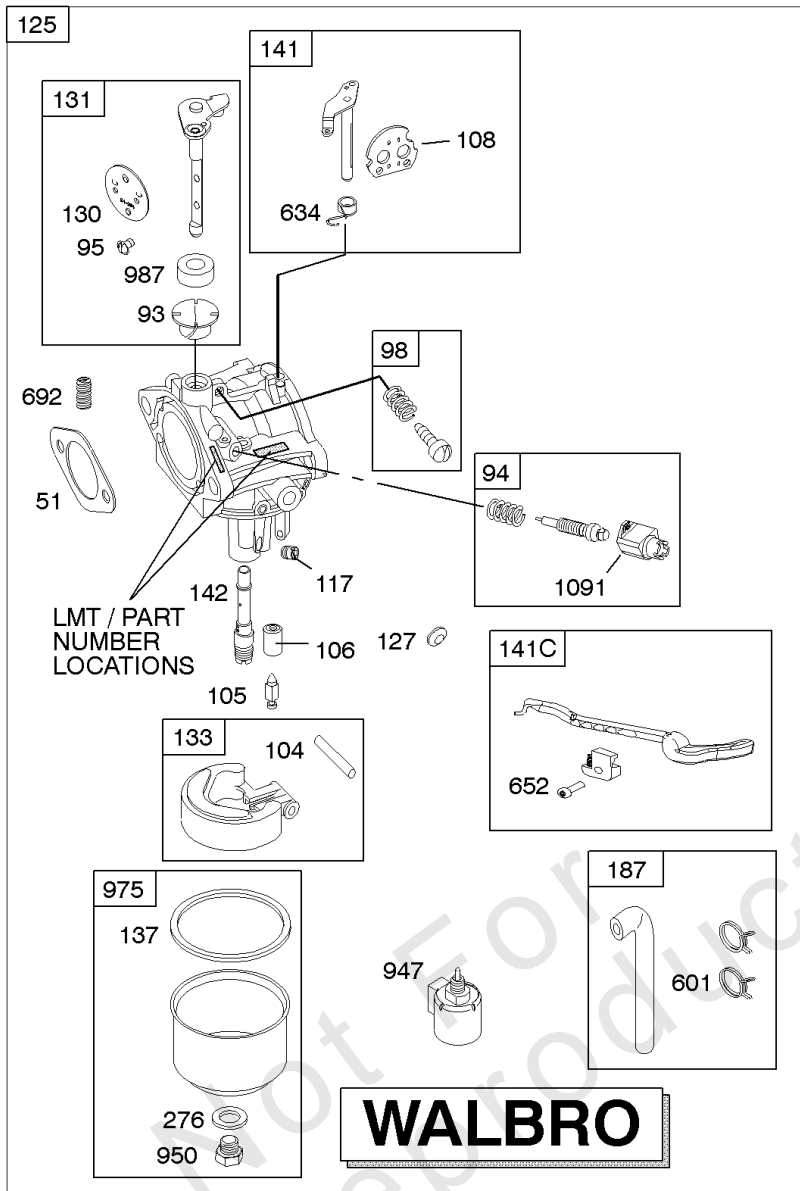
Camshaft, Crankshaft, Cylinder, Operator's Manual, Piston, Rings, Connecting Rod,

REF NO	PART NO	QTY	DESCRIPTION
1	796010		CYLINDER ASSEMBLY -MUST BE USED WITH THE AFTER 4/27/08 CYLINDER SHIELD, REF 306 -Used Before Code Date 08042800
1	796010		CYLINDER ASSEMBLY -Used After Code Date 08042700
2	399265		KIT, Bushing/Seal -(Magneto Side)
3	391086S		SEAL, Oil -(Magneto Side)
6	690310		WASHER -(Cylinder Head) -Used After Code Date 07010900
7	796584		GASKET, Cylinder Head
9	697109		GASKET, Breather -(After Date Code Use Liquid Sealant Reference 850) -Used Before Code Date 07071900
10	697157		SCREW -(Breather Assembly)
11	794683		TUBE, Breather
12	697110		GASKET, Crankcase -(.015" Thick)(Standard)
16	697127		CRANKSHAFT
20	795387		SEAL, Oil -(PTO Side)
24	222698S		KEY, Flywheel
25	796173		PISTON ASSEMBLY -(.020 Oversize) -Used After Code Date 08042700
25	791937		PISTON ASSEMBLY -(Standard) -Used Before Code Date 08042800
25	793019		PISTON ASSEMBLY -(.020 Oversize) -Used Before Code Date 08042800
25	796172		PISTON ASSEMBLY -(Standard) -Used After Code Date 08042700
26	791936		SET, Ring -(Standard) -Used After Code Date 06010100
26	792649		SET, Ring -(.020 Oversize) -Used After Code Date 06010100
26	697559		SET, Ring -(.020 Oversize) -Used Before Code Date 06010200
26	699051		SET, Ring -(Standard) -Used Before Code Date 06010200
27	698469		LOCK, Piston Pin
28	796007		PIN, Piston -(Standard) -Used After Code Date 08042700
28	697099		PIN, Piston -(Standard) -Used Before Code Date 08042800
29	794122		ROD, Connecting -(Standard)
32	791118		SCREW -(Connecting Rod)
43	691968		SLINGER, Governor/Oil



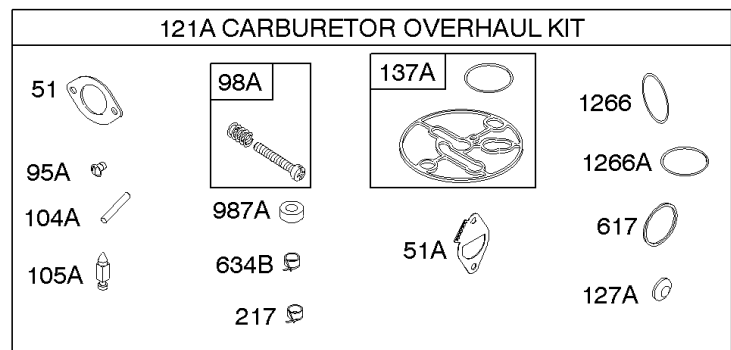
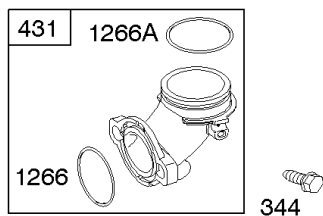
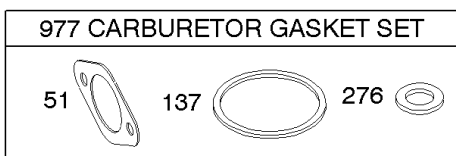
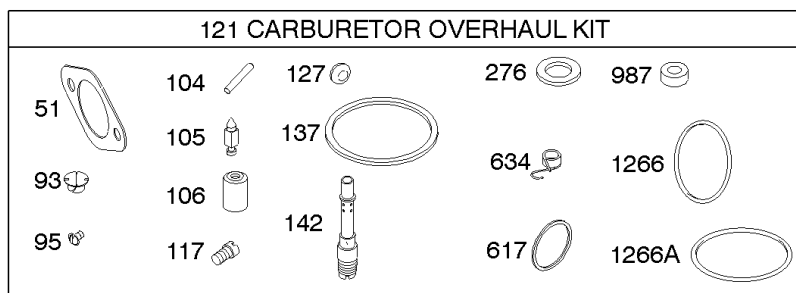
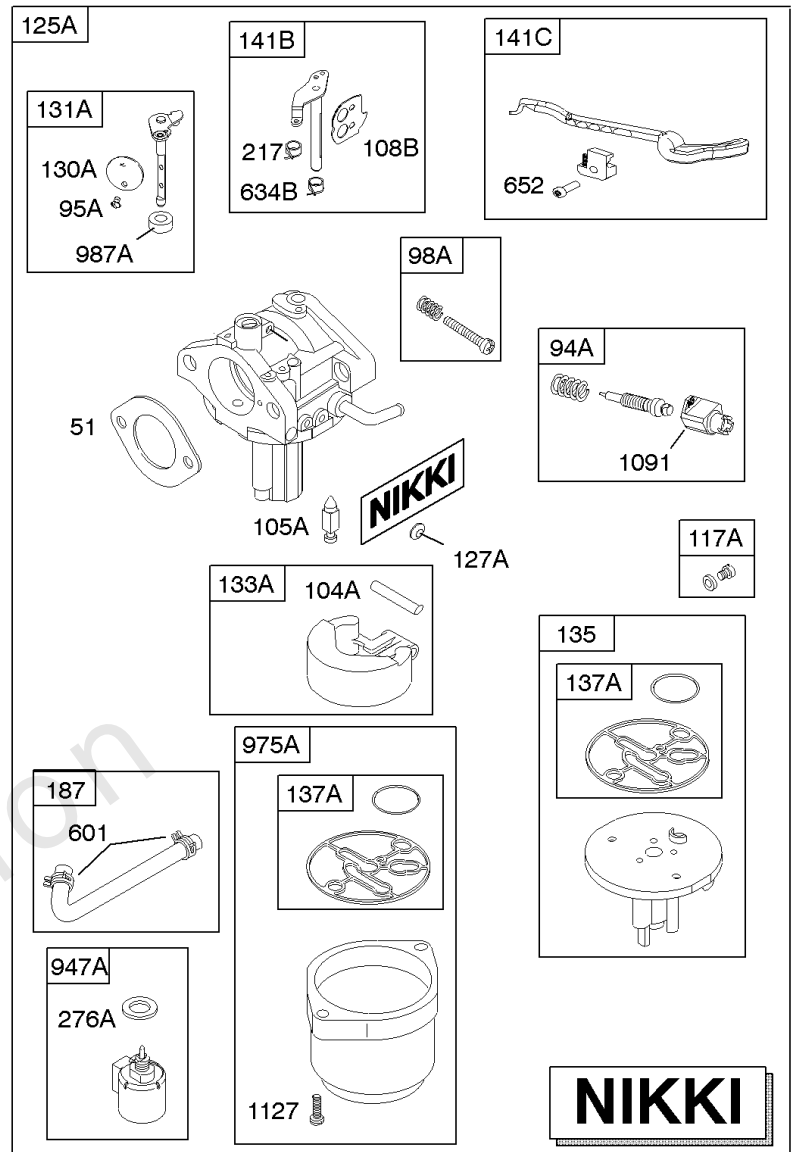
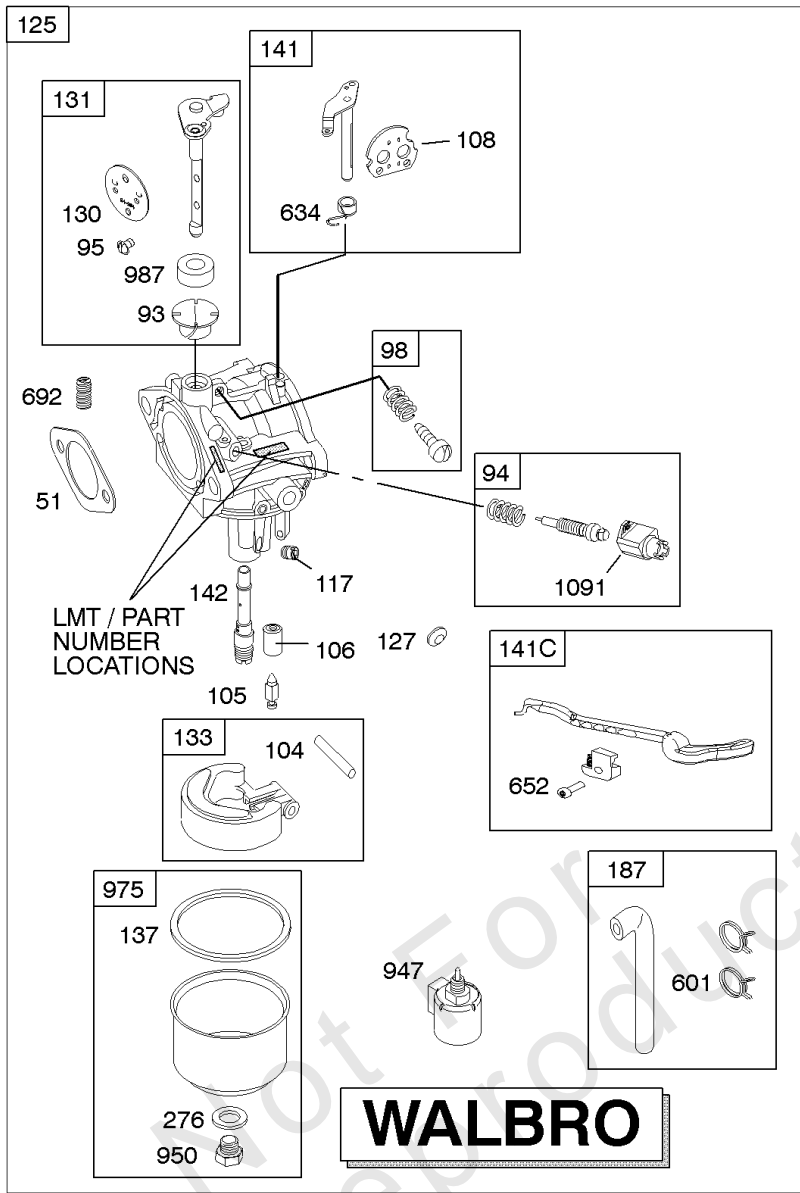
Camshaft, Crankshaft, Cylinder, Operator's Manual, Piston, Rings, Connecting Rod,

REF NO	PART NO	QTY	DESCRIPTION
45	690564		TAPPET, Valve
46	793880		CAMSHAFT
51	692137		GASKET-INTAKE
51A	796081		GASKET, Intake
146	691639		KEY, Woodruff
306	697107		SHIELD, Cylinder -Used Before Code Date 08042800
306	796006		SHIELD, Cylinder -Used After Code Date 08042700
307	691003		SCREW -(Cylinder Shield)
358	794150		GASKET SET, Engine
524	691032		SEAL, O-Ring
552	697144		BUSHING, Governor Crank
584	794682		COVER, Breather Passage -(Use with Liquid Sealant Reference 850)
617	692138		SEAL, O-Ring -(Intake Manifold)
691	692407		SEAL, Governor Shaft
718	690959		PIN, Locating
741	697128		GEAR, Timing
757	793242		LINK, Counterweight
758	-----		Counterweight -(Must Use Kit 795938, Includes Sump And Counterweight) -Used Before Code Date 05100300
758	793763		COUNTERWEIGHT -Used After Code Date 05100200
759	697392		PIN, Counterweight
842	691031		SEAL, O-Ring -(Dipstick Tube)
850	100100		SEALANT, Liquid -(Rocker Cover Gasket and Breather Gasket) -Used After Code Date 07071800
868	690968		SEAL, Valve
883	692236		GASKET, Exhaust
943	690589		SEAL, O-Ring -(Oil Pump Cover)
1022	272475S		GASKET, Rocker Cover -(After Date Code Use Liquid Sealant Reference 850) -Used Before Code Date 07091000
1058	276344		MANUAL, Operator's
1263	697124		REED, Breather
1264	697104		SCREW -(Breather Reed)
1266	691917		SEAL, O-Ring -(Intake Elbow)
1266A	697123		SEAL, O-Ring -(Intake Elbow)
1270	793243		PLUG, AVS Counterweight -Used After Code Date 06081300
1270	697156		PLUG, AVS Counterweight -Used Before Code Date 06081400
1319	794467		LABEL, Warning



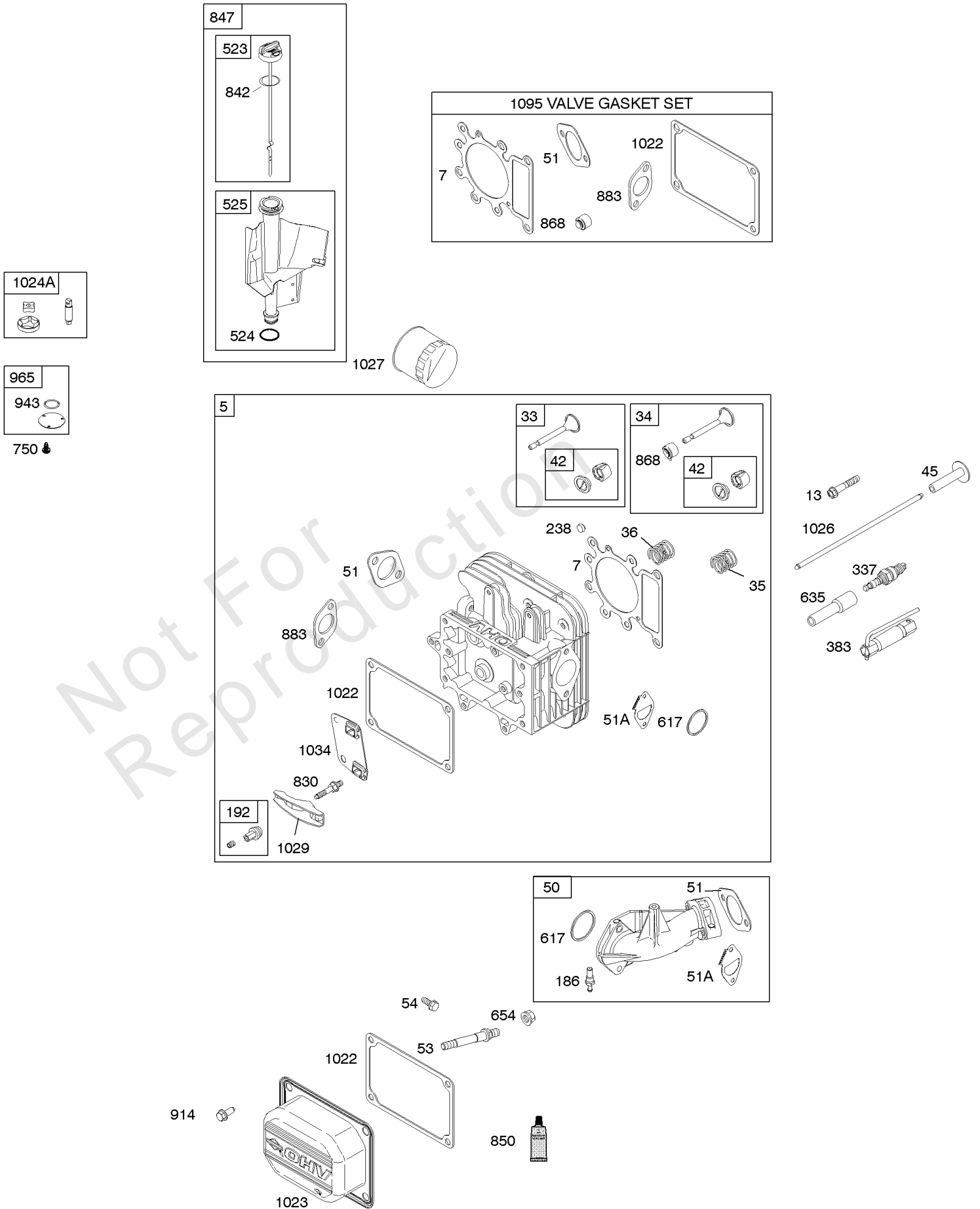
Carburetor, Kit - Carburetor Overhaul

REF NO	PART NO	QTY	DESCRIPTION
51	692137		GASKET-INTAKE
51A	796081		GASKET, Intake
93	690602		BUSHING, Throttle Shaft
94	794176		KIT, Idle Mixture
94A	793610		KIT, Idle Mixture
95	691636		SCREW -(Throttle Valve)
95A	690718		SCREW -(Throttle Valve)
98	495800		KIT, Idle Speed -(Idle Speed) (Lmt 54, 55, 91)
98A	695408		KIT, Idle Speed
104	690525		PIN, Float Hinge
104A	694918		PIN, Float Hinge
105	231855S		VALVE-FLOAT NEEDLE
105A	696136		VALVE, Float Needle
106	690577		SEAT, Inlet -(Walbro) (Gravity Feed)
106	691780		SEAT, Inlet -(Walbro)(Pump Feed)
108	692344		VALVE, Choke
108B	695419		VALVE, Choke
117A	699732		JET, Main -(Standard) -Used Before Code Date 08051400
117A	843099		JET, Main -(Standard) -Used After Code Date 08051300
118A	699458		JET, Main -(High Altitude) -Used Before Code Date 08051400
118A	790890		JET, Main -(High Altitude) -Used After Code Date 08051300
121	697241		KIT, Carburetor Overhaul -(Walbro)
121A	796184		KIT, Carburetor Overhaul -(Nikki)
125A	792358		CARBURETOR -(Nikki Carburetor) -Used Before Code Date 08051400
125A	796109		CARBURETOR -(Nikki Carburetor) -Used After Code Date 08051300
127	695005		PLUG, Welch -(5/16 Diameter)
127A	690727		PLUG, Welch
130	691750		VALVE, Throttle
130A	699500		VALVE, Throttle
131	790901		KIT, Throttle Shaft
131A	699501		KIT, Throttle Shaft
133	494381		FLOAT, Carburetor
133A	694914		FLOAT, Carburetor
135	792022		TUBE-FUEL TRANSFER -(Nikki)(Pump Feed)
135	698780		TUBE, Fuel Transfer -(Nikki)(Gravity Feed)
137	281165S		GASKET, Float Bowl



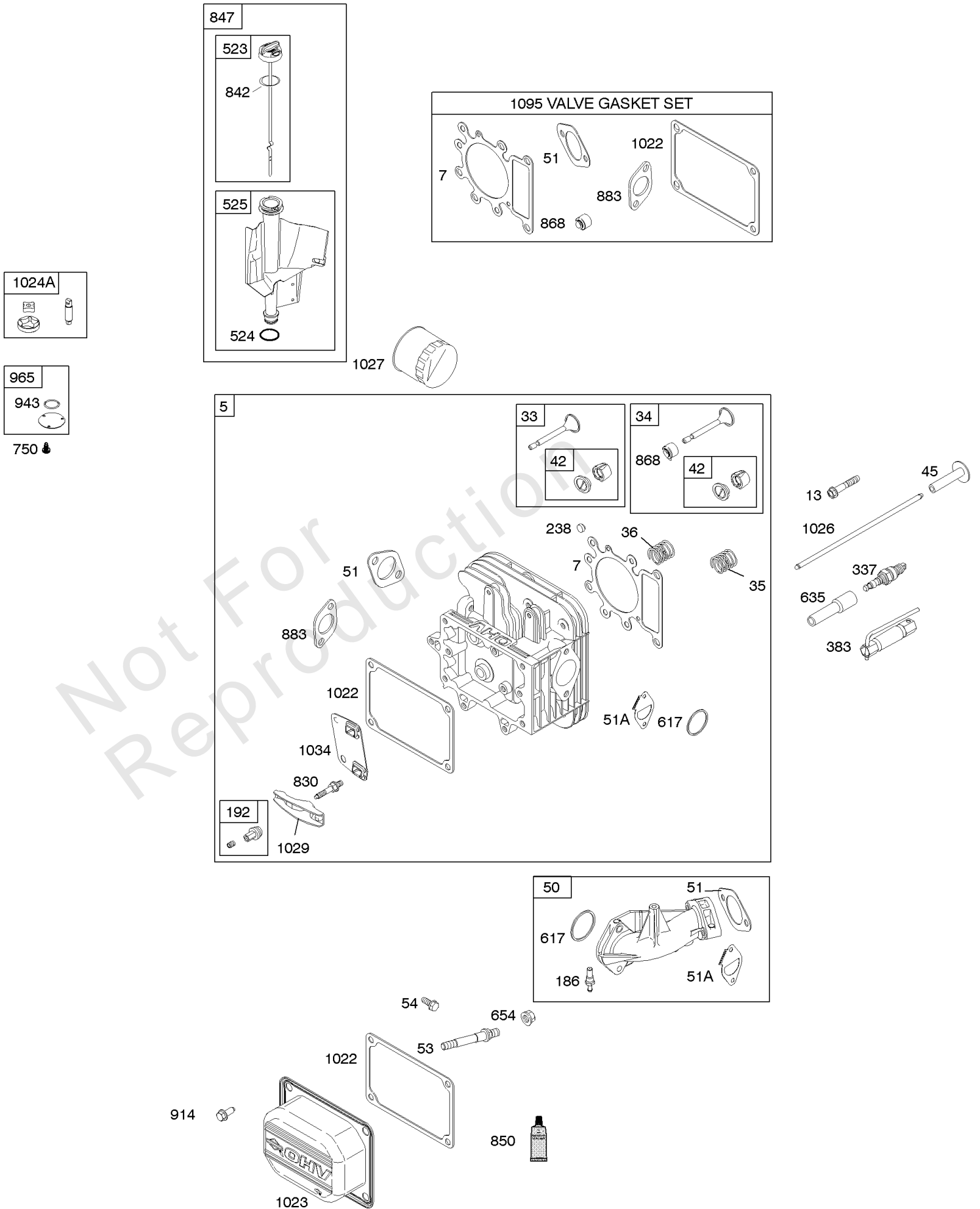
Carburetor, Kit - Carburetor Overhaul

REF NO	PART NO	QTY	DESCRIPTION
137A	698781		GASKET, Float Bowl
141	790902		KIT, Choke Shaft
141B	698778		KIT, Choke Shaft
141C	793386		KIT, Choke Shaft -(Manual Choke)
142	697140		NOZZLE, Carburetor -(Standard)
187	791805		LINE, Fuel -(Formed)(10-1/4" Long)(Cut to Required Length)
217	695409		SPRING, Choke Return
276	692255		WASHER, Sealing
276A	695410		WASHER, Sealing
344	693675		SCREW -(Cable Clamp)
431	697122		MANIFOLD, Intake
601	791850		CLAMP, Hose
617	692138		SEAL, O-Ring -(Intake Manifold)
634	690802		SPRING/SEAL ASSEMBLY
634B	698779		SPRING/SEAL ASSEMBLY
652	793380		SCREW -(Support Bracket) (Manual Choke)
692	690572		SPRING, Detent
947	694393		SOLENOID, Fuel
947A	699915		SOLENOID, Fuel
950	691657		SCREW -(Float Bowl)
975	495933		BOWL, Float -(Float Bowl)
975A	699502		BOWL, Float
977	690192		SET, Carburetor Gasket
987	691326		SEAL, Choke/Throttle Shaft
987A	698777		SEAL, Choke/Throttle Shaft
1091	691333		CAP, Limiter
1127	695407		SCREW -(Float Bowl) (Float Bowl to Carburetor Body)
1266	691917		SEAL, O-Ring -(Intake Elbow)
1266A	697123		SEAL, O-Ring -(Intake Elbow)



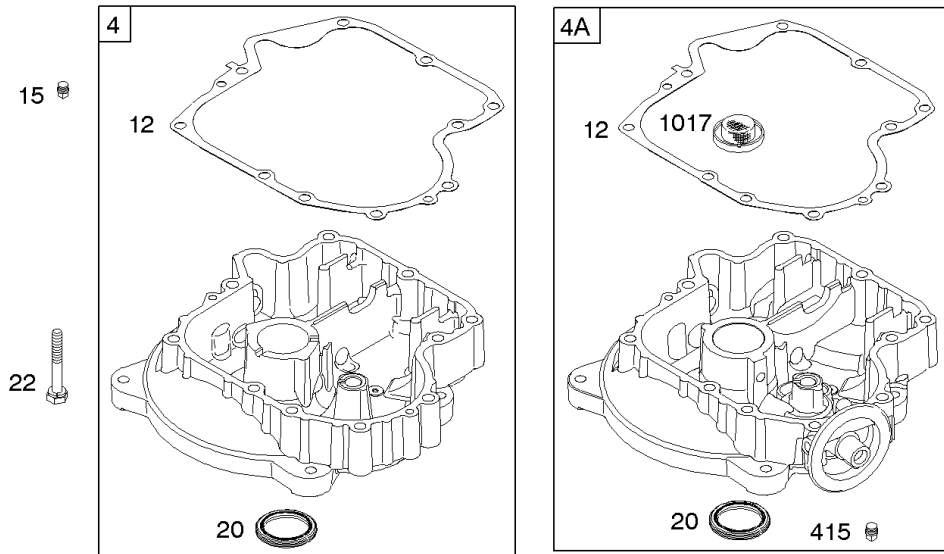
Cylinder Head, Gasket Set - Engine, Gasket Set - Valve, Intake Manifold, Lubrication,

REF NO	PART NO	QTY	DESCRIPTION
5	793991		HEAD, Cylinder -Used Before Code Date 08042800
5	796025		HEAD, Cylinder -Used After Code Date 08042700
7	796584		GASKET, Cylinder Head
13	793988		SCREW -(Cylinder Head) -Used After Code Date 07011400
13	690360		SCREW -(Cylinder Head) -Used Before Code Date 07011000
13	690360		SCREW -(Cylinder Head) -Used Before Code Date 07011500
13	793988		SCREW -(Cylinder Head) -Used After Code Date 07010900
33	695760		VALVE, Exhaust -Used Before Code Date 06021300
33	791934		VALVE, Exhaust -Used After Code Date 06021200
34	791935		VALVE, Intake
35	691279		SPRING, Valve -(Intake)
36	691279		SPRING, Valve -(Exhaust)
42	499586		KEEPER, Valve
45	690564		TAPPET, Valve
50	796180		MANIFOLD, Intake
51	692137		GASKET-INTAKE
51A	796081		GASKET, Intake
53	690227		STUD -(Carburetor)
54	691148		SCREW -(Intake Manifold)
186	794873		CONNECTOR, Hose
192	691986		ADJUSTER, Rocker Arm
238	691843		CAP, Valve
337	491055S		PLUG, Spark
337	84007216		PLUG, SPARK -(China Only)
383	89838S		WRENCH-SPARK PLUG
523	699908		DIPSTICK
524	691032		SEAL, O-Ring
525	697184		TUBE, Dipstick
617	692138		SEAL, O-Ring -(Intake Manifold)
635	691909		BOOT, Spark Plug
654	690958		NUT -(Carburetor)
750	790832		SCREW -(Oil Pump Cover)
830	691095		STUD, Rocker Arm
842	691031		SEAL, O-Ring -(Dipstick Tube)
847	790442		DIPSTICK/TUBE ASSEMBLY
850	100100		SEALANT, Liquid -(Rocker Cover Gasket and Breather Gasket) -Used After Code Date 07071800

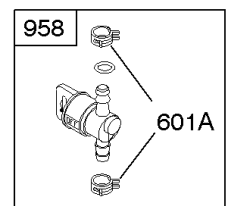
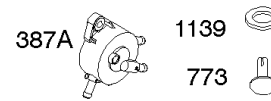
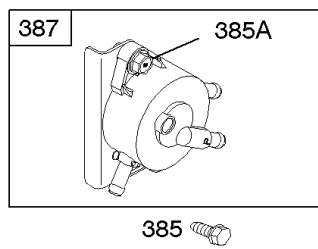
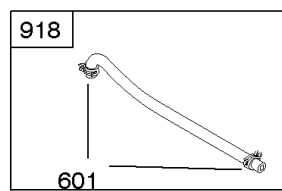
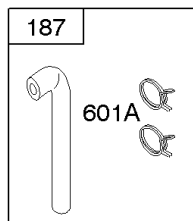
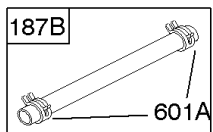


Cylinder Head, Gasket Set - Engine, Gasket Set - Valve, Intake Manifold, Lubrication,

REF NO	PART NO	QTY	DESCRIPTION
868	690968		SEAL, Valve
883	692236		GASKET, Exhaust
914	691108		SCREW -(Rocker Cover)
943	690589		SEAL, O-Ring -(Oil Pump Cover)
965	499613		COVER, Oil Pump
1022	272475S		GASKET, Rocker Cover -(After Date Code Use Liquid Sealant Reference 850) -Used Before Code Date 07091000
1023	791079		COVER, Rocker -Used After Code Date 05013100
1023	794659		COVER, Rocker -Used Before Code Date 05020100
1024A	794644		PUMP-OIL
1026	692003		ROD, Push -(Intake)
1026	692011		ROD, Push -(Exhaust)
1027	492932S		FILTER, Oil
1029	691751		ARM, Rocker
1034	690822		GUIDE, Push Rod
1095	794152		GASKET SET, Valve

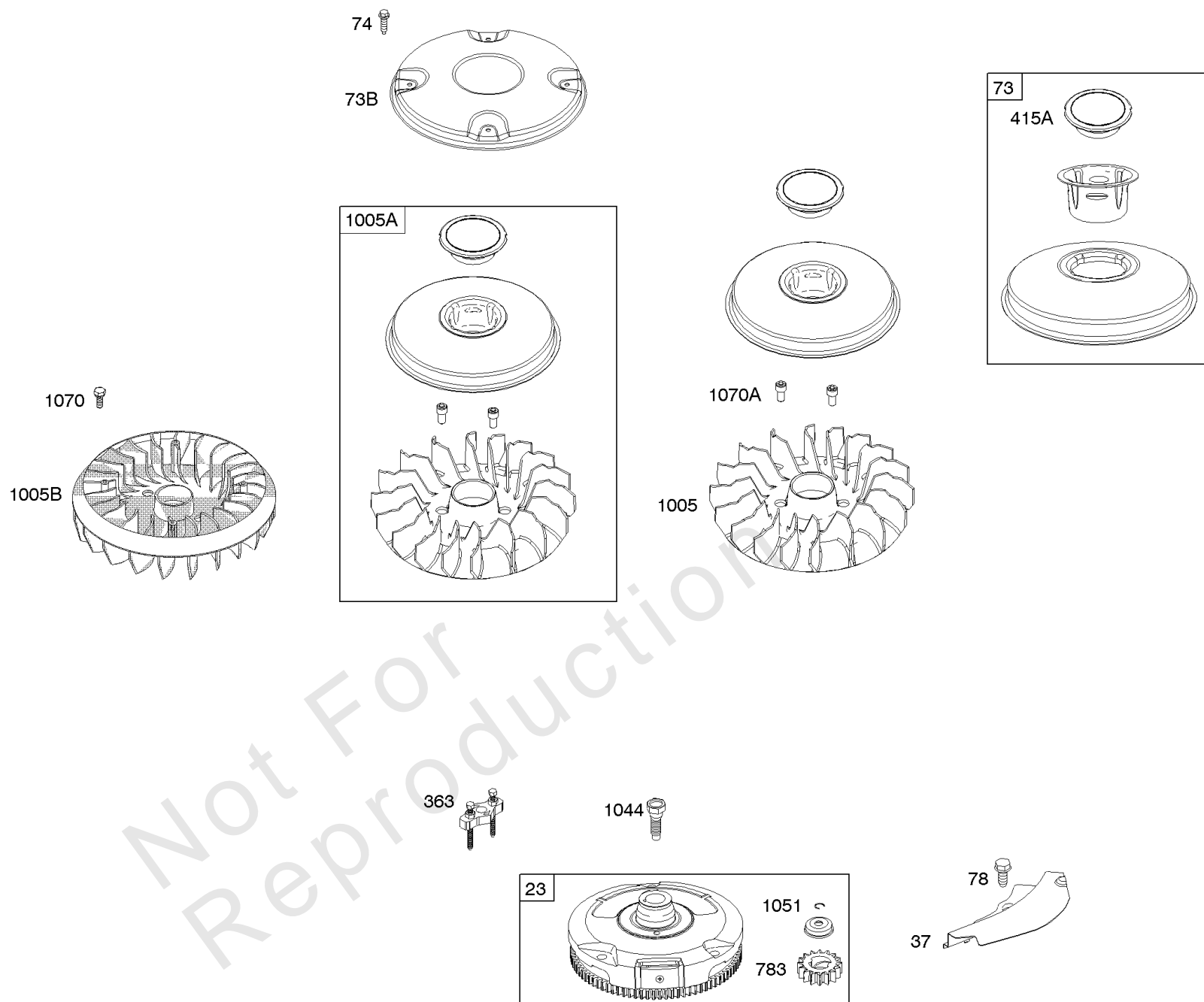


Not For
Reproduction



Engine Sump, Fuel Supply

REF NO	PART NO	QTY	DESCRIPTION
4A	-----		Sump-Engine -(Must Use Kit 795938, Includes Sump And Counterweight) -Used Before Code Date 05100300
4A	697188		SUMP, Engine -Used After Code Date 05100200
12	697110		GASKET, Crankcase -(.015" Thick)(Standard)
15	690946		PLUG, Oil Drain -(Square Head)
15	691680		PLUG, Oil Drain -(Square Socket)
20	795387		SEAL, Oil -(PTO Side)
22	692125		SCREW -(Crankcase Cover/Sump)
187	791805		LINE, Fuel -(Formed)(10-1/4" Long)(Cut to Required Length)
187B	791766		LINE, Fuel -(15" Long)(Cut to Required Length)
240	394358S		FILTER, Fuel -(White, 75 Microns)
385	694476		SCREW -(Fuel Pump)
385A	690297		SCREW -(Fuel Pump)
387	697090		PUMP, Fuel -(Includes Mounting Bracket) -Used Before Code Date 08082500
387A	808656		PUMP, Fuel -Used After Code Date 08082400
415	794903		PLUG -(Sump)
601	791850		CLAMP, Hose
601A	691038		CLAMP, Hose
773	796448		RETAINER
918	791851		HOSE, Vacuum
1017	796981		SCREEN, Oil Pump
1139	796449		WASHER -(Fuel Pump Bracket)



Flywheel

REF NO	PART NO	QTY	DESCRIPTION
23	693556		FLYWHEEL
37	697108		GUARD, Flywheel
73	796308		SCREEN/CUP ASSEMBLY -Used After Code Date 07040800
73B	697133		SCREEN, Rotating -Used Before Code Date 07040900
74	697897		SCREW -(Rotating Screen)
78	691003		SCREW -(Flywheel Guard)
363	19203		PULLER, Flywheel
415A	794129		COVER, Flywheel -(Cover/Retainer) -Used After Code Date 07040800
783	693713		GEAR, Pinion
1005	796083		FAN, Flywheel -Used After Code Date 07040800
1005A	794436		FAN, Flywheel -Used Before Code Date 07040900
1005B	-----		Fan-Flywheel -(No Longer Available)(See Reference 1005A for Service Flywheel Fan)
1044	698139		SCREW -(Flywheel)
1051	691265		RING, Retaining
1070	690372		SCREW -(Flywheel Fan) -Used Before Code Date 07040900
1070A	690363		SCREW -(Flywheel Fan) -Used After Code Date 07040800 -Used Before Code Date 08061000

Replacement Engine - US & Canada

REF NO	PART NO	QTY	DESCRIPTION
-----			No engine replacement. Repair engine with individual parts.
	697762	1	Replacement Short Block
-----			Top No-Load Speed: 3300 -Trim: ALL
-----			Short Block Note: If repair would also require the Cylinder Head Assembly Order Short Block Part Number 791117.

Not For Reproduction

