



# Parts Manual

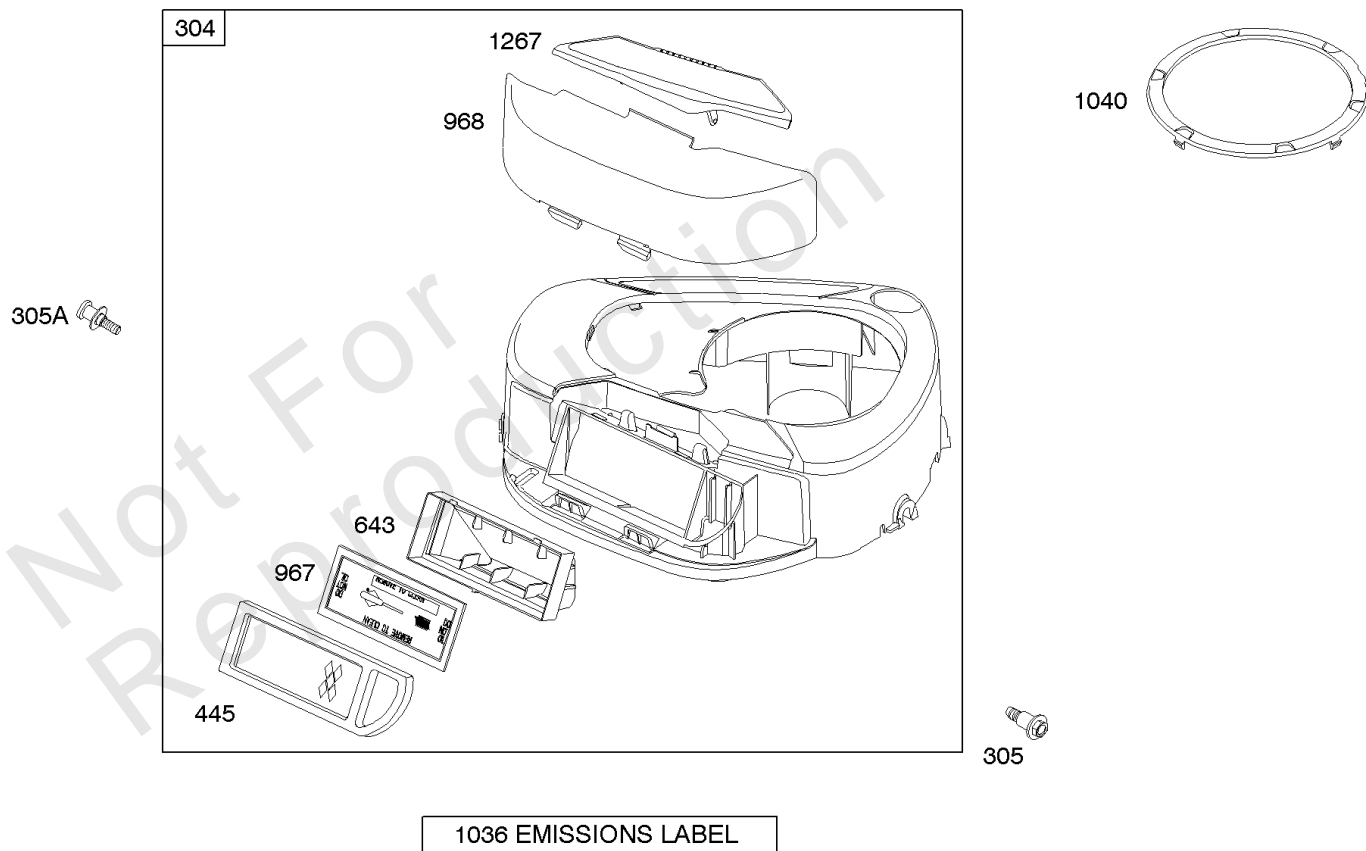
Mfg. No: 282H07-0600-E1



---

<b>Model Components</b>	<b>Page</b>
Air Cleaner, Blower Housing.....	4
Alternator, Controls, Electric Starter, Governor Spring, Ignition.....	6
Camshaft, Crankshaft, Cylinder, Engine Sump, Gasket Set - Engine, Piston, Rings, Connecting Rod.....	10
Carburetor, Fuel Supply, Kit - Carburetor Overhaul.....	14
Cylinder Head, Gasket Set - Valve, Lubrication, Valves.....	18
Flywheel.....	22
Replacement Engine - US & Canada.....	24

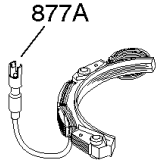
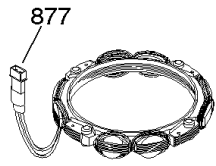


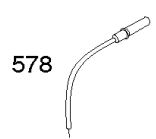
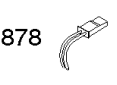
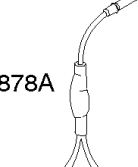
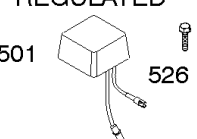
Not For  
Reproduction




## *Air Cleaner, Blower Housing*

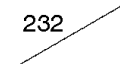
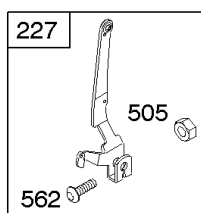
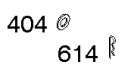
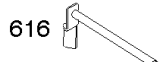
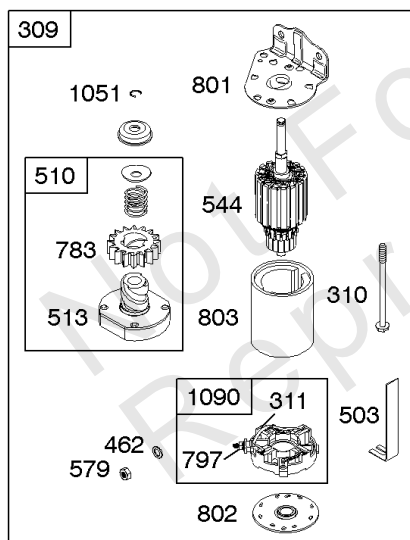
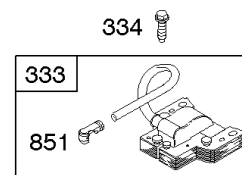
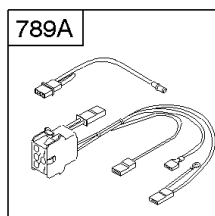
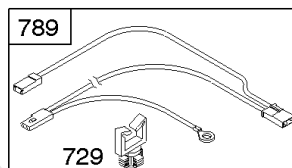
REF NO	PART NO	QTY	DESCRIPTION
304	698402		HOUSING, Blower -(Red)
305	697102		SCREW -(Blower Housing)
305A	697103		SCREW -(Blower Housing)
445	698083		FILTER, A/C Cartridge -(Non Washable)
643	698401		RETAINER, Air Filter
967	697015		FILTER, Pre Cleaner
968	698403		COVER, Air Cleaner
1036	-----		Label-Emissions -(Available From A Briggs & Stratton Authorized Dealer)
1040	698368		PLATE, Trim
1267	697575		LATCH, Blower Housing -(Black)

Not For Reproduction

DC ONLY	DUAL CIRCUIT	474B	TRI CIRCUIT
474 	474A 	1059 	1059 
578 	878 	878A 	5/9 AMP REGULATED 501 526 

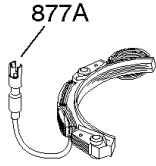
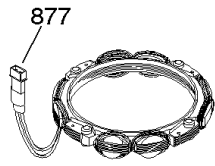


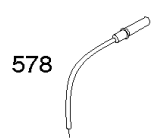
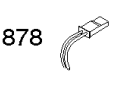
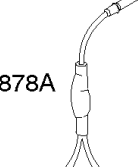
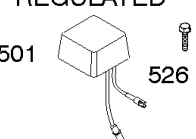
**NOTE:** All stators use a No. 1119 mounting screw. 


**NOTE:** The proper flywheel part number and/or the alternator magnet size will determine the alternator type or output. See repair instruction manual for additional information.



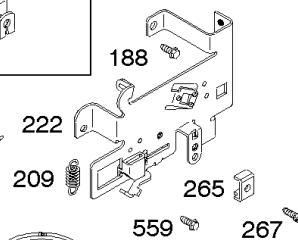
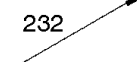
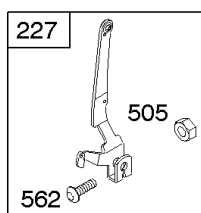
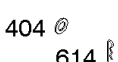
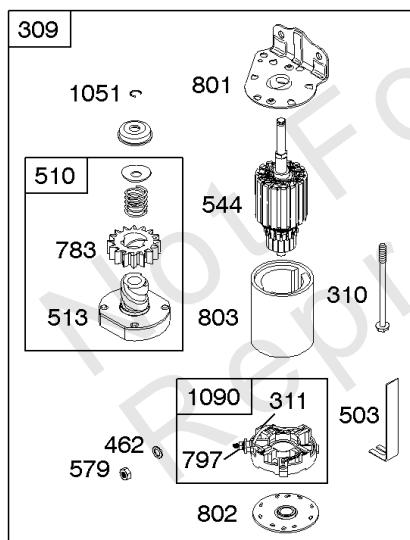
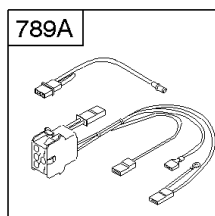
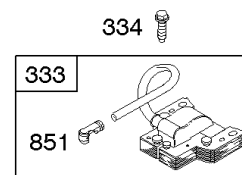
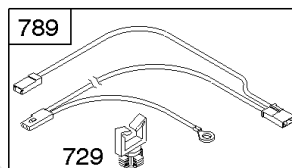
## Alternator, Controls, Electric Starter, Governor Spring, Ignition

REF NO	PART NO	QTY	DESCRIPTION
188	691693		SCREW -(Control Bracket)
202	691841		LINK, Mechanical Governor
209	692208		SPRING, Governor
216	691840		LINK, Choke
222	694042		BRACKET, Control
227	691374		LEVER, Governor Control
232	691842		SPRING, Governor Link
265	691024		CLAMP, Casing
267	794904		SCREW -(Casing Clamp)
268	691025		CASING, Control Wire -(Cut To Required Length)
269	691026		WIRE, Control -(Cut To Required Length)
270	691027		NUT -(Control Wire Casing)
271	691028		LEVER, Control
309	693551		MOTOR, Starter
310	690323		SCREW -(Starter Motor)
311	497608		SET, Brush
333	492341		ARMATURE, Magneto
334	691061		SCREW -(Magneto Armature)
356	697089		WIRE, Stop
404	691691		WASHER -(Governor Crank)
462	691261		WASHER -(Starter Cable)
474A	696459		ALTERNATOR -(Dual Circuit)
501	691188		REGULATOR -(9 Amp Regulated)
503	691532		STRAP, Starter
505	691251		NUT -(Governor Control Lever)
510	693699		DRIVE, Starter
513	692024		CLUTCH, Drive
521	690581		SHIELD, Cable
526	697088		SCREW -(Regulator)
544	692034		ARMATURE, Starter -(3 5/8 Housing)
559	697561		SCREW -(Remote Choke Stop)
562	691119		BOLT -(Governor Control Lever)
578	692306		WIRE ASSEMBLY
579	691029		NUT -(Starter Cable)
614	691620		PIN, Cotter
616	692012		CRANK, Governor
697	690372		SCREW -(Drive Cap)
729	691335		CLIP, Wire -(Wire Saddle)

DC ONLY	DUAL CIRCUIT	474B	TRI CIRCUIT
474 	474A 	1059 	1059 
578 	878 	878A 	5/9 AMP REGULATED 501 526 

**NOTE:** All stators use a No. 1119 mounting screw. 

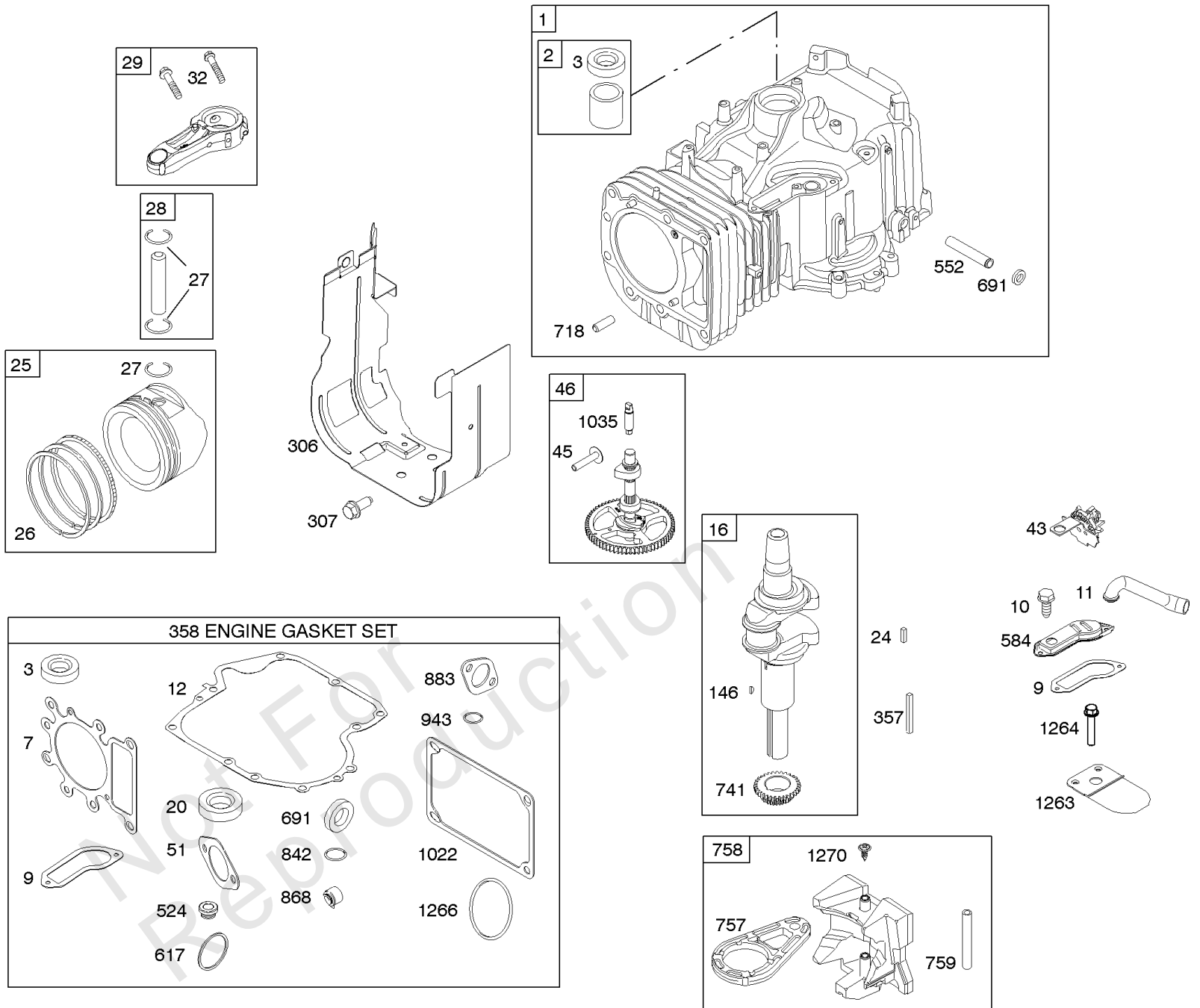
**NOTE:** The proper flywheel part number and/or the alternator magnet size will determine the alternator type or output. See repair instruction manual for additional information.





## Alternator, Controls, Electric Starter, Governor Spring, Ignition

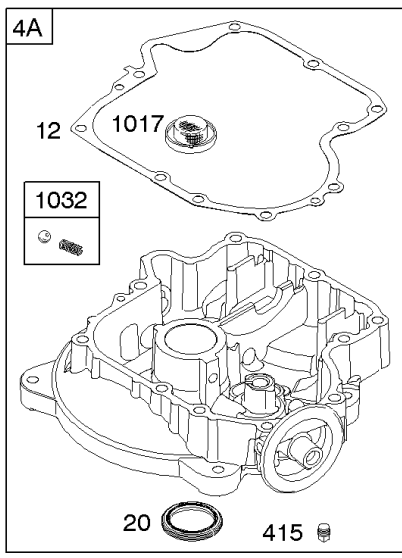
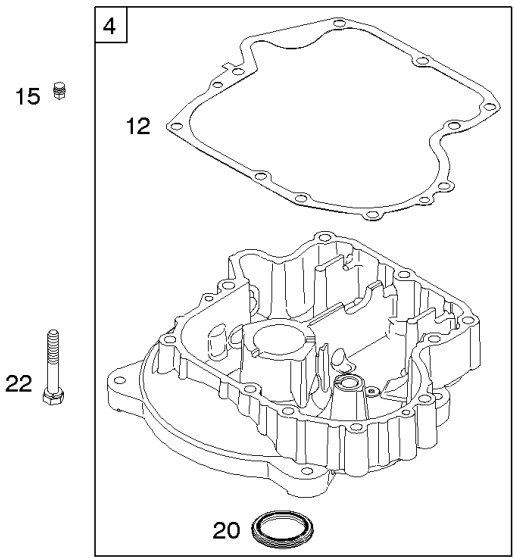
REF NO	PART NO	QTY	DESCRIPTION
729A	691224		CLIP, Wire -(Aluminum Coated Steel)
783	693713		GEAR, Pinion
789A	698329		HARNES, Wiring
797	693167		NUT -(Brush Retainer)
801	691283		CAP, Drive
802	691286		CAP, End
803	-----		Housing-Starter -(Not Serviced Separately, Order Starter Motor 693551 Or 693552 AsApplicable)
851	692424		TERMINAL, Spark Plug
877	393456		WIRE/CONNECTOR, Alternator -(Dual Circuit)
878	398661		HARNES, Wiring
1051	691265		RING, Retaining
1054	280275		TIE, Cable
1059	698516		KIT, Screw/Washer
1090	691293		RETAINER, Brush
1119	691183		SCREW -(Alternator)



1058 OWNER'S MANUAL

1330 REPAIR MANUAL

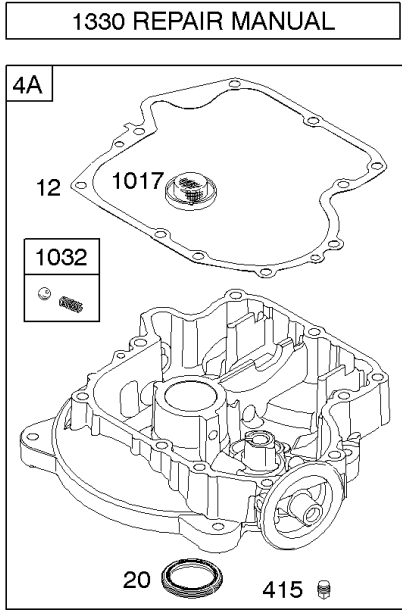
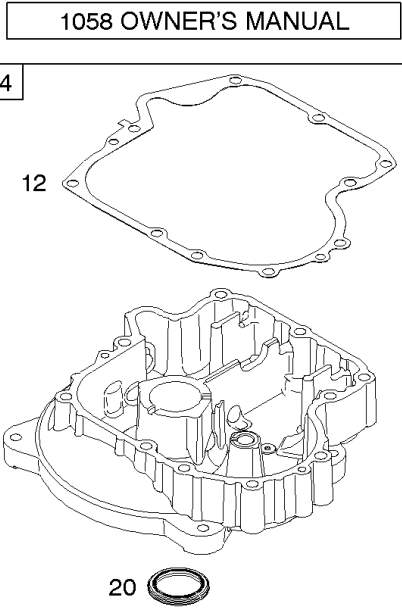
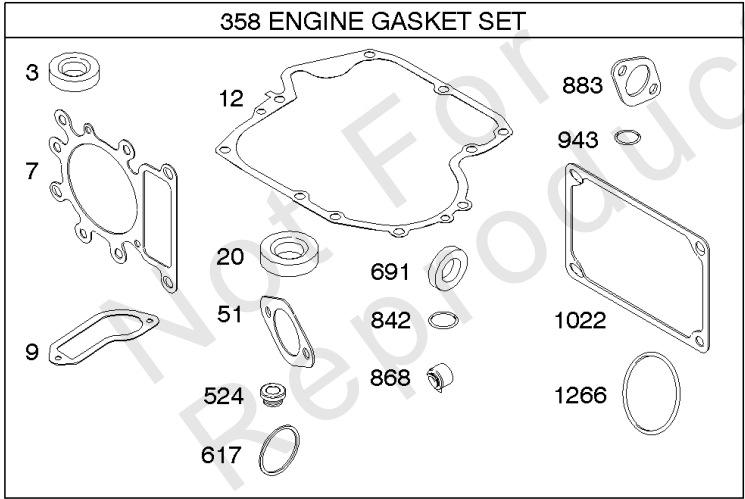
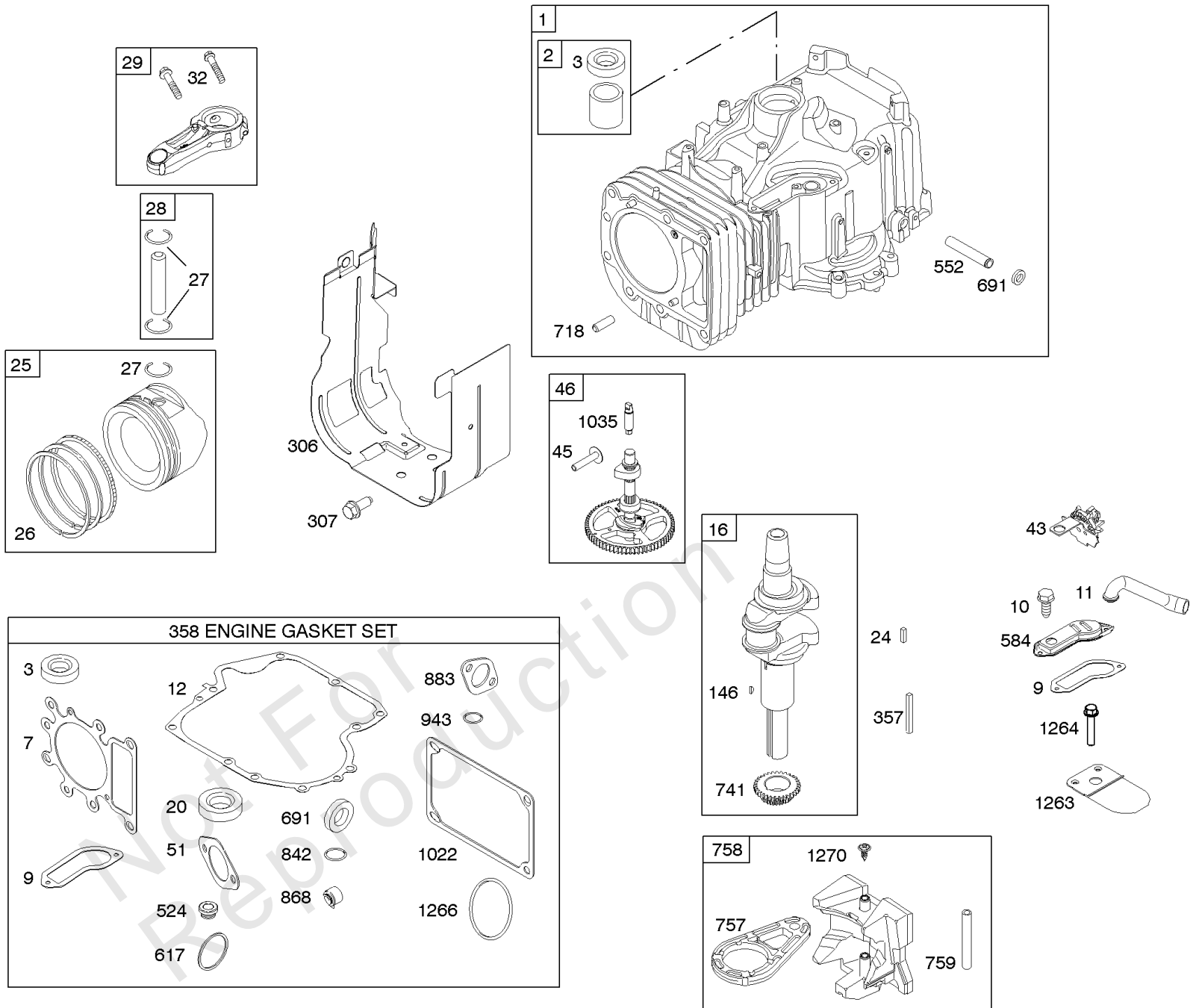
1319 WARNING LABEL



<b>WARNING</b>	
	Read and follow Operating Instructions before running engine.
	Gasoline is flammable. Allow engine to cool at least 2 minutes before refueling.
	Engines emit carbon monoxide, <b>DO NOT</b> run in enclosed area.
	Muffler area temperature may exceed 150°F. Do not touch hot parts.
<b>REQUIRED</b> when replacing parts with warning labels affixed.	

## Camshaft, Crankshaft, Cylinder, Engine Sump, Gasket Set - Engine, Piston, Rings,

REF NO	PART NO	QTY	DESCRIPTION
1	794087		CYLINDER ASSEMBLY
2	399265		KIT, Bushing/Seal -(Magneto Side)
3	391086S		SEAL, Oil -(Magneto Side)
4	-----		Sump-Engine -(Must Use Kit 795903, Includes Sump And Counterweight) -Used Before Code Date 05100300
4	697106		SUMP, Engine -Used After Code Date 05100200
7	273280S		GASKET, Cylinder Head
9	697109		GASKET, Breather
10	697157		SCREW -(Breather Assembly)
11	697113		TUBE, Breather
12	697110		GASKET, Crankcase
15	690946		PLUG, Oil Drain -(Square Head)
16	697127		CRANKSHAFT
20	791892		SEAL, Oil -(PTO Side)
22	692125		SCREW -(Crankcase Cover/Sump)
24	222698S		KEY, Flywheel
25	792728		PISTON ASSEMBLY -(.020 Oversize)
25	792307		PISTON ASSEMBLY -(Standard)
26	792306		SET, Ring -(Standard) -Used After Code Date 05112000
26	792643		SET, Ring -(.020 Oversize) -Used After Code Date 05112000
26	698375		SET, Ring -(Standard) -Used Before Code Date 05112100
26	698397		SET, Ring -(.020 Oversize) -Used Before Code Date 05112100
27	698469		LOCK, Piston Pin
28	697099		PIN, Piston -(Standard)
29	791631		ROD, Connecting -(Standard)
32	791118		SCREW -(Connecting Rod)
43	691968		SLINGER, Governor/Oil
45	690564		TAPPET, Valve
46	793583		CAMSHAFT
51	692137		GASKET-INTAKE
146	691639		KEY, Woodruff
239	491657S		SWITCH, Oil Pressure
306	697107		SHIELD, Cylinder
307	691003		SCREW -(Cylinder Shield)
358	697151		GASKET SET, Engine
415	690283		PLUG, Oil -(1/8 Standard)



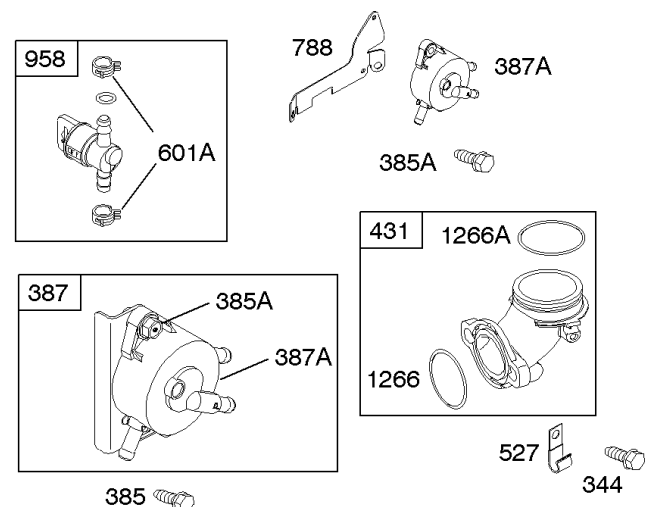
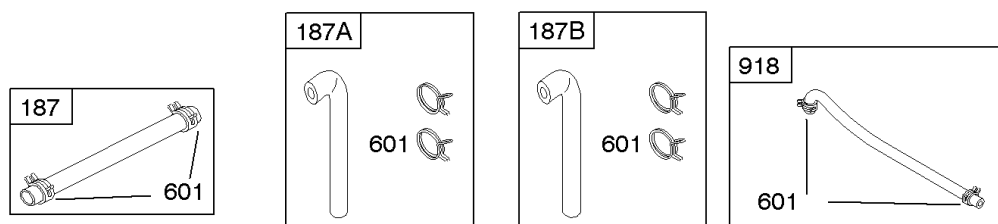
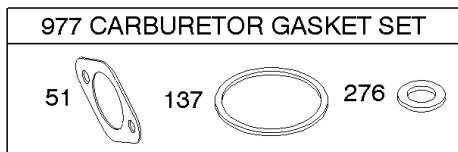
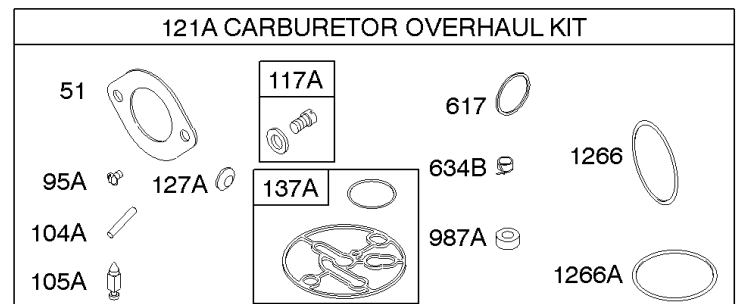
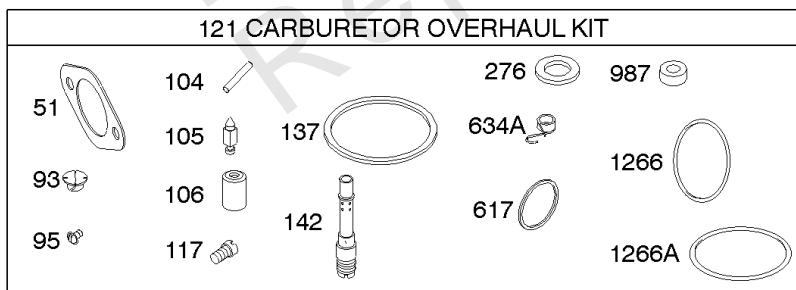
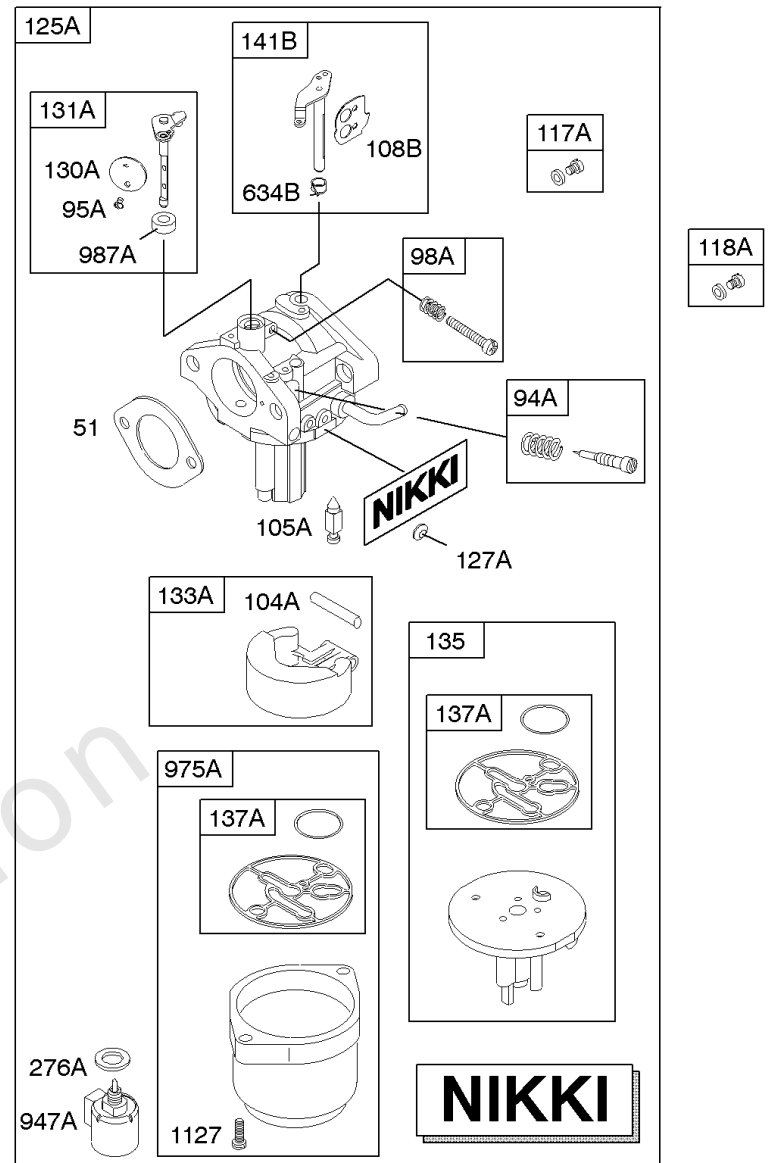
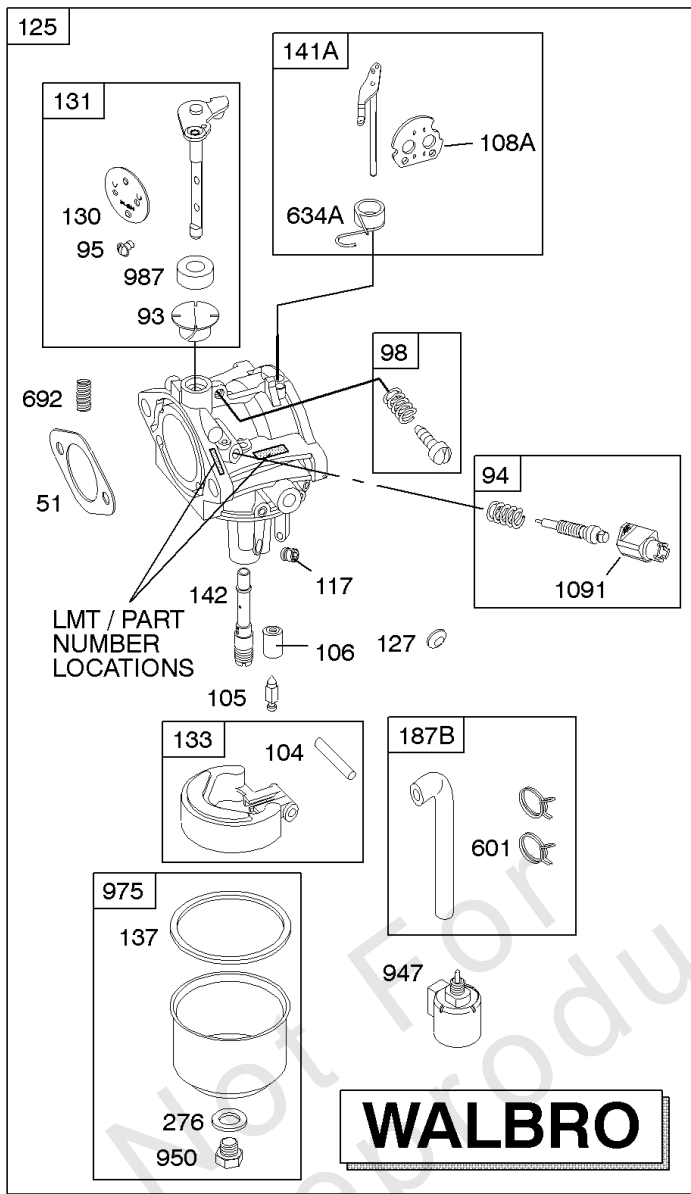
**1319 WARNING LABEL**

	<b>WARNING</b>
	Read and follow Operating Instructions before running engine.
	Gasoline is flammable. Allow engine to cool at least 2 minutes before refueling.
	Engines emit carbon monoxide, <b>DO NOT</b> run in enclosed area.
	Muffler area temperature may exceed 150°F. Do not touch hot parts.

**REQUIRED** when replacing parts with warning labels affixed.

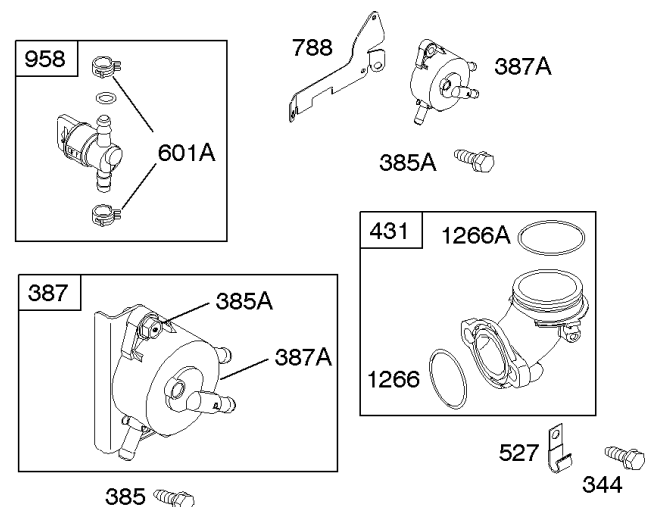
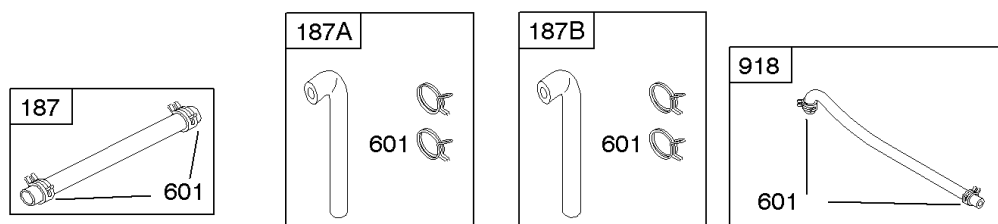
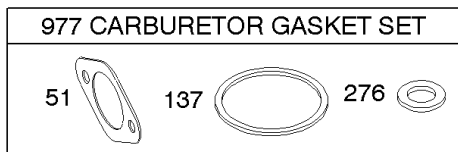
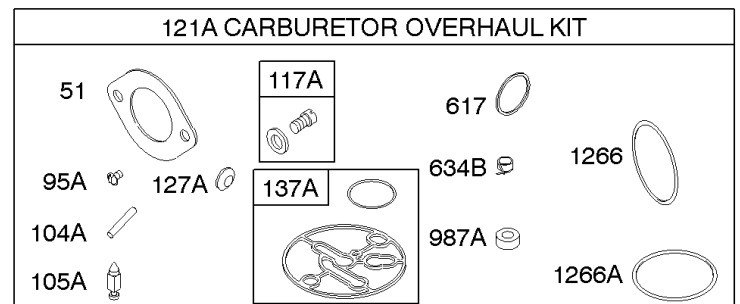
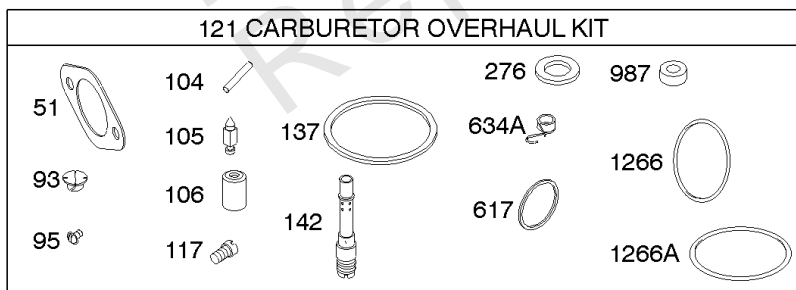
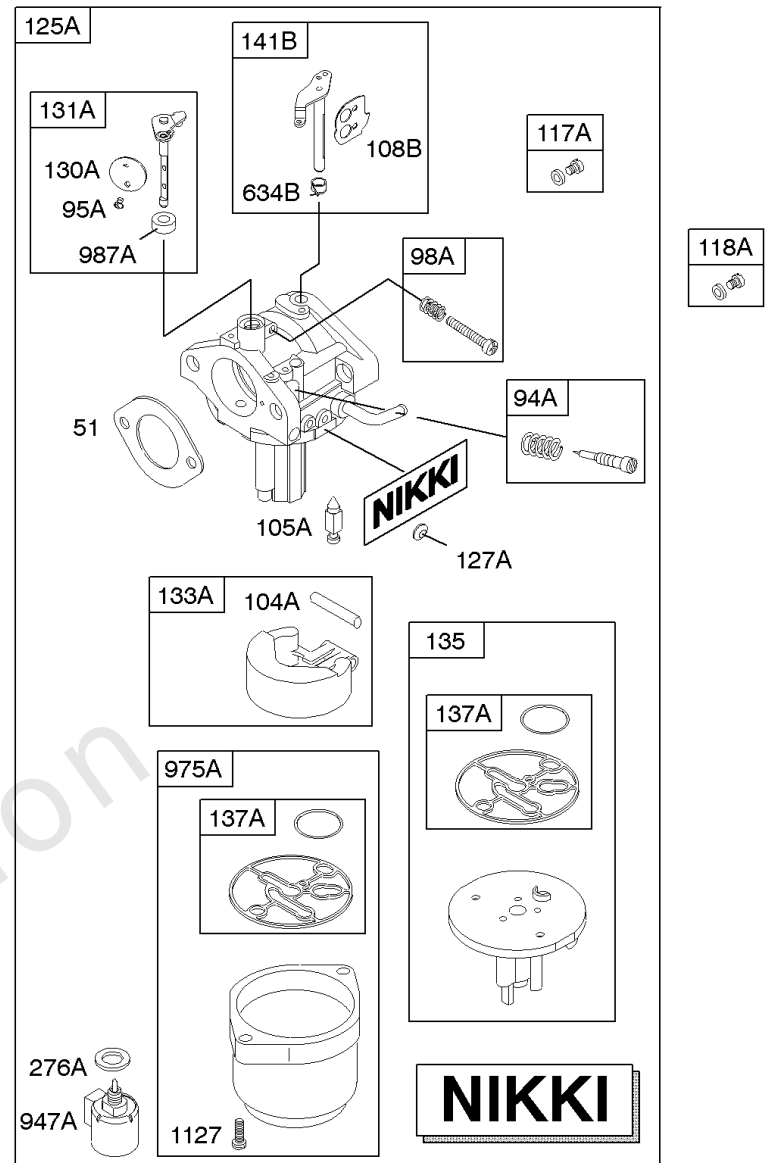
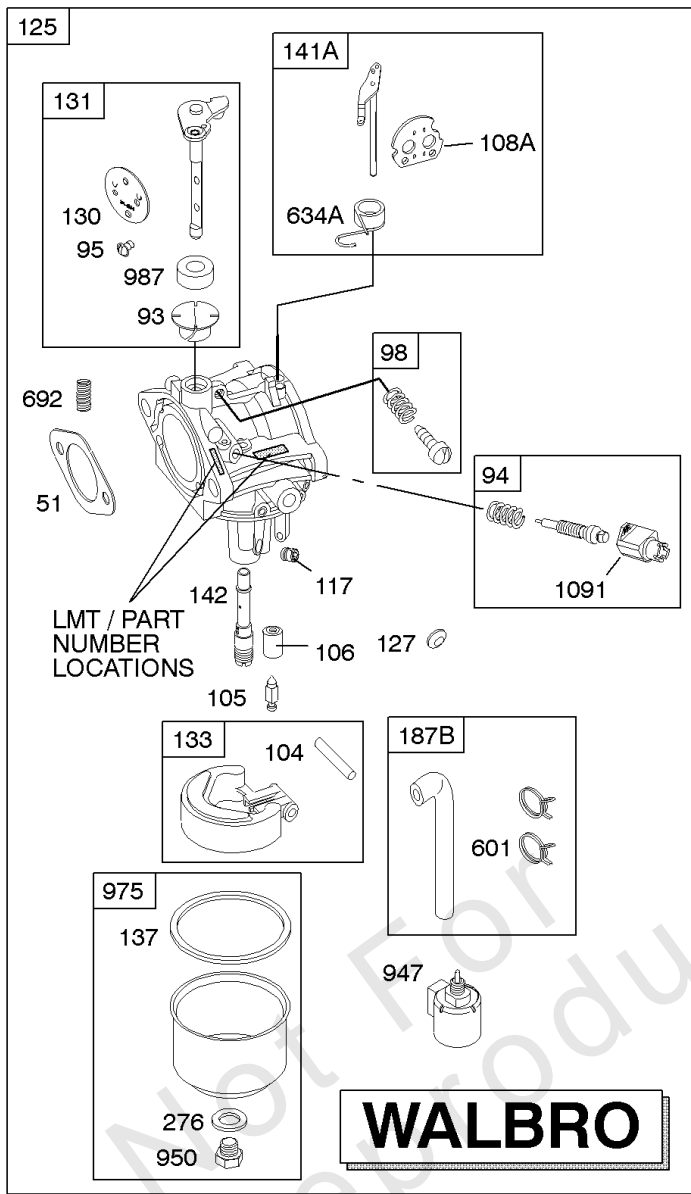
## Camshaft, Crankshaft, Cylinder, Engine Sump, Gasket Set - Engine, Piston, Rings,

REF NO	PART NO	QTY	DESCRIPTION
524	691032		SEAL, O-Ring
552	697144		BUSHING, Governor Crank
584	697112		COVER, Breather Passage
617	692138		SEAL, O-Ring -(Intake Manifold)
691	692407		SEAL, Governor Shaft
718	690959		PIN, Locating
741	697128		GEAR, Timing
757	793242		LINK, Counterweight
758	-----		Counterweight -(Must Use Kit 795903, Includes Sump And Counterweight) -Used Before Code Date 05100300
758	793763		COUNTERWEIGHT -Used After Code Date 05100200
759	697392		PIN, Counterweight
842	691031		SEAL, O-Ring -(Dipstick Tube)
868	690968		SEAL, Valve
883	692236		GASKET, Exhaust
1017	690770		SCREEN, Oil Pump
1022	272475S		GASKET, Rocker Cover
1032	491710		SPRING, Compression
1058	276344		MANUAL, Operator's
1263	697124		REED, Breather
1264	697104		SCREW -(Breather Reed)
1266	691917		SEAL, O-Ring -(Intake Elbow)
1270	697156		PLUG, AVS Counterweight
1319	794467		LABEL, Warning
1330	272147		MANUAL, Repair



## Carburetor, Fuel Supply, Kit - Carburetor Overhaul

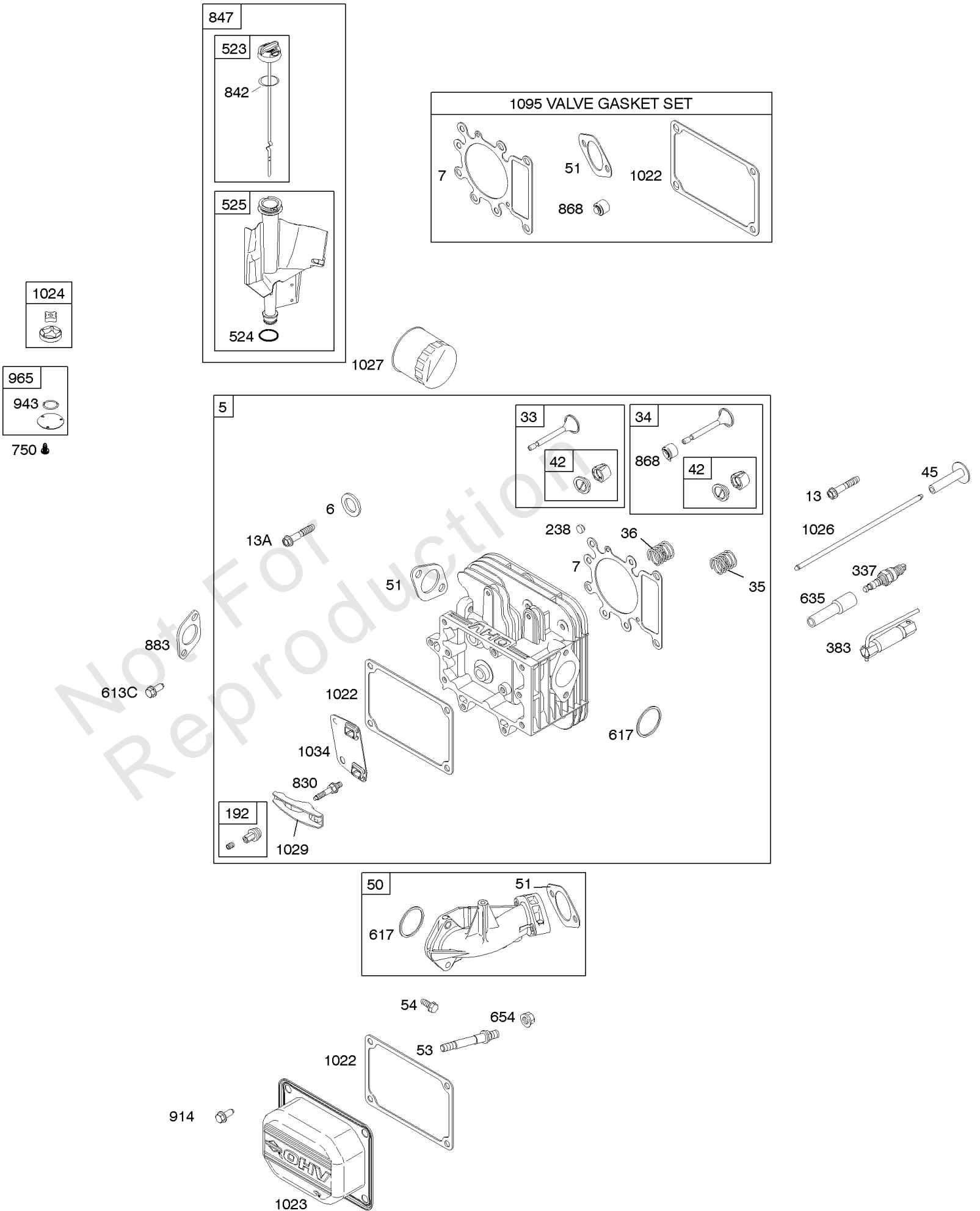
REF NO	PART NO	QTY	DESCRIPTION
51	692137		GASKET-INTAKE
93	690602		BUSHING, Throttle Shaft
94	498030		KIT, Idle Mixture -(Lmt 153154,155,156)
94A	695425		KIT, Idle Mixture
95	691636		SCREW -(Throttle Valve)
95A	690718		SCREW -(Throttle Valve)
98	495800		KIT, Idle Speed -(Idle Speed) (Lmt 54, 55, 91)
98A	695408		KIT, Idle Speed
104	690525		PIN, Float Hinge
104A	694918		PIN, Float Hinge
105	231855S		VALVE-FLOAT NEEDLE
105A	696136		VALVE, Float Needle
106	690577		SEAT, Inlet -(Walbro)(Gravity Feed)
106	691780		SEAT, Inlet -(Walbro)(Pump Feed)
108A	692344		VALVE, Choke
108B	695419		VALVE, Choke
117	694352		JET, Main -(Standard)
117A	699457		JET, Main -(Standard)
118	697228		JET, Main -(High Altitude)
118A	699458		JET, Main -(High Altitude)
121	697241		KIT, Carburetor Overhaul -(Walbro Carburetor)
121A	699521		KIT, Carburetor Overhaul -(Nikki Carburetor)
125	791888		CARBURETOR -(Walbro)(Gravity Feed)
127	695005		PLUG, Welch
127A	690727		PLUG, Welch
130	691750		VALVE, Throttle
130A	699500		VALVE, Throttle
131	790901		KIT, Throttle Shaft
131A	699501		KIT, Throttle Shaft
133	494381		FLOAT, Carburetor
133A	694914		FLOAT, Carburetor
135	698780		TUBE, Fuel Transfer
137	281165S		GASKET, Float Bowl
137A	698781		GASKET, Float Bowl
141A	790902		KIT, Choke Shaft
141B	698778		KIT, Choke Shaft
142	697140		NOZZLE, Carburetor -(Standard)
187	791766		LINE, Fuel -(Cut To Required Length)
187A	791806		LINE, Fuel -(Formed)(21 )(Cut to Required Length)
187B	791805		LINE, Fuel -(Formed)(10-1/4" Long)(Cut to Required Length)





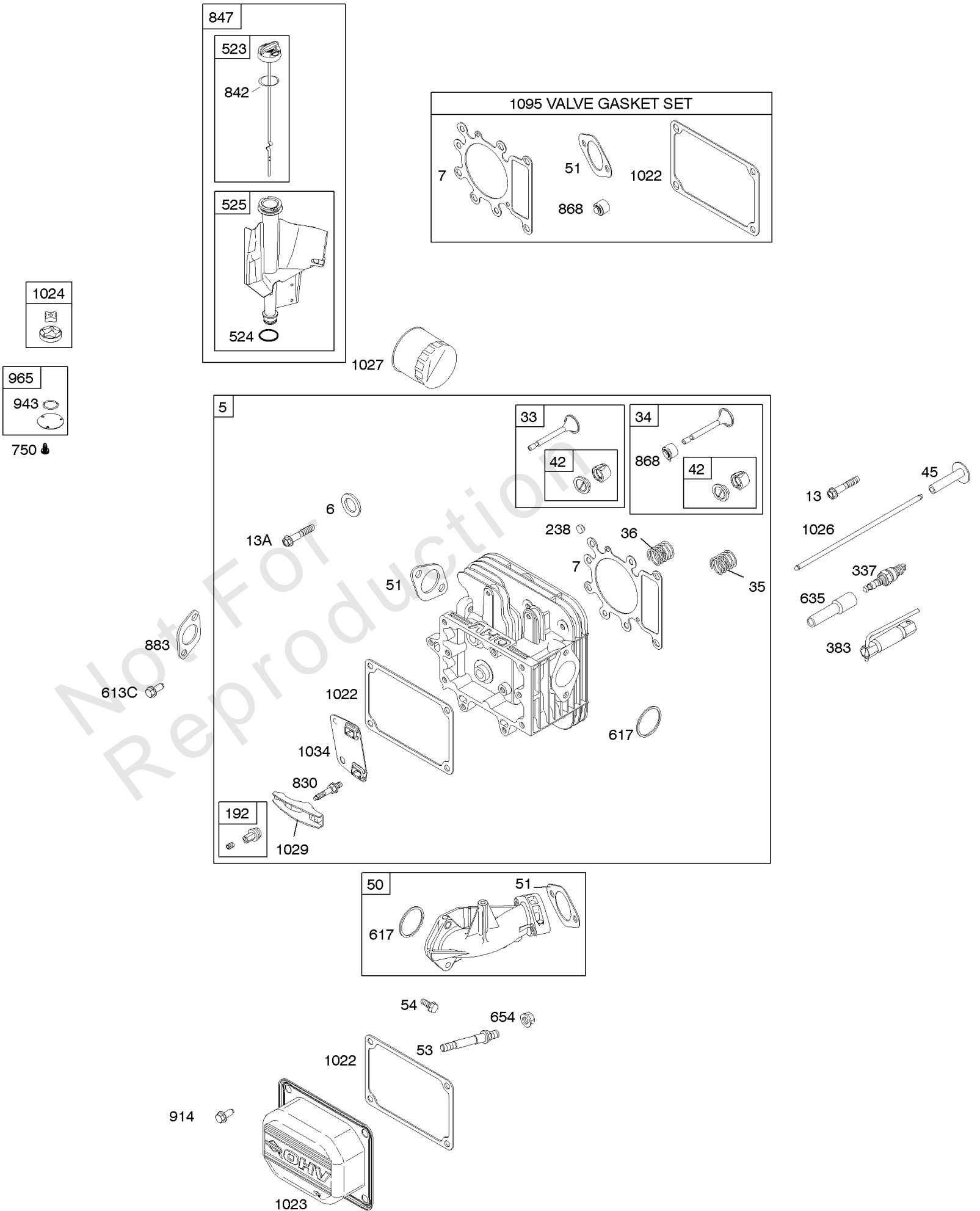
## Carburetor, Fuel Supply, Kit - Carburetor Overhaul

REF NO	PART NO	QTY	DESCRIPTION
240	394358S		FILTER, Fuel -(White, 75 Microns)
276	692255		WASHER, Sealing
276A	695410		WASHER, Sealing
344	693675		SCREW -(Cable Clamp)
385	694476		SCREW -(Fuel Pump)
385A	690297		SCREW -(Fuel Pump)
431	697122		MANIFOLD, Intake
527	698467		CLAMP, Hose
601	791850		CLAMP, Hose
601A	691038		CLAMP, Hose
617	692138		SEAL, O-Ring -(Intake Manifold)
634A	690802		SPRING/SEAL ASSEMBLY
634B	698779		SPRING/SEAL ASSEMBLY
692	690572		SPRING, Detent
788	699347		BRACKET, Fuel Pump
918	791851		HOSE, Vacuum -(Formed)(14 Inches )(Cut To Required Length)
947	694393		SOLENOID, Fuel
947A	699915		SOLENOID, Fuel
950	691657		SCREW -(Float Bowl) (Bottom Of Bowl)
958	698183		VALVE, Fuel Shut Off -(Plastic)
975	495933		BOWL, Float -(Float Bowl)
975A	699502		BOWL, Float
977	690192		SET, Carburetor Gasket
987	691326		SEAL, Choke/Throttle Shaft
987A	698777		SEAL, Choke/Throttle Shaft
1091	691333		CAP, Limiter
1127	695407		SCREW -(Float Bowl) (Float Bowl to Carburetor Body)
1266	691917		SEAL, O-Ring -(Intake Elbow)
1266A	697123		SEAL, O-Ring -(Intake Elbow)



## Cylinder Head, Gasket Set - Valve, Lubrication, Valves

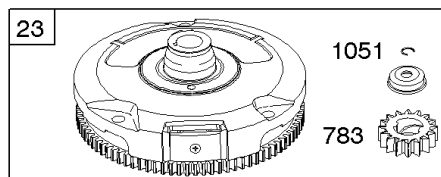
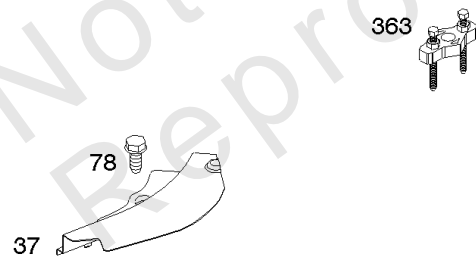
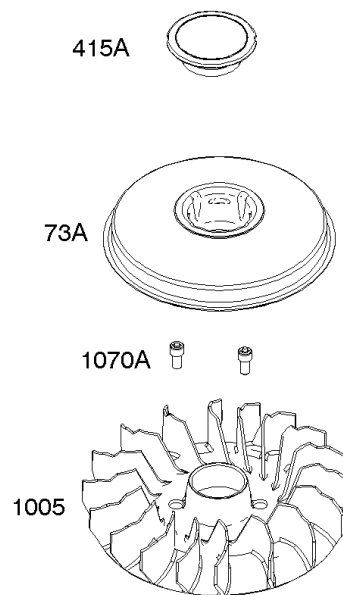
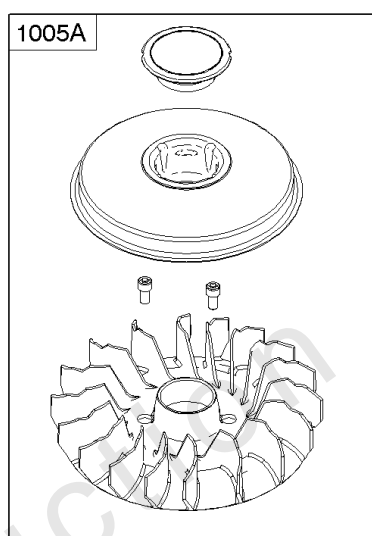
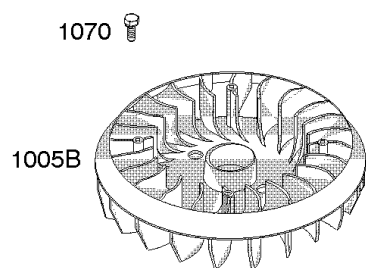
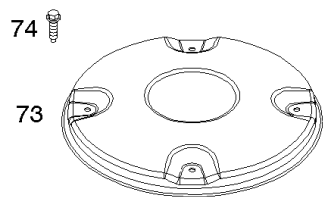
REF NO	PART NO	QTY	DESCRIPTION
5	794538		HEAD, Cylinder
6	690310		WASHER -(Cylinder Head)
7	273280S		GASKET, Cylinder Head
13	690360		SCREW -(Cylinder Head) -Used Before Code Date 07011000
13A	793988		SCREW -(Cylinder Head) -Used After Code Date 07010900
33	791934		VALVE, Exhaust -Used After Code Date 06011900
33	695760		VALVE, Exhaust -Used Before Code Date 06012000
34	695761		VALVE, Intake -Used Before Code Date 06012000
34	791935		VALVE, Intake -Used After Code Date 06011900
35	691279		SPRING, Valve -(Intake)
36	691279		SPRING, Valve -(Exhaust)
42	499586		KEEPER, Valve
45	690564		TAPPET, Valve
50	690193		MANIFOLD, Intake
51	692137		GASKET-INTAKE
53	690227		STUD -(Carburetor)
54	691148		SCREW -(Intake Manifold)
192	691986		ADJUSTER, Rocker Arm
238	691843		CAP, Valve
337	491055S		PLUG, Spark
337	84007216		PLUG, SPARK -(China Only)
383	89838S		WRENCH-SPARK PLUG
523	699908		DIPSTICK
524	691032		SEAL, O-Ring
525	697184		TUBE, Dipstick
617	692138		SEAL, O-Ring -(Intake Manifold)
635	691909		BOOT, Spark Plug
654	690958		NUT -(Carburetor)
830	691095		STUD, Rocker Arm
842	691031		SEAL, O-Ring -(Dipstick Tube)
847	790442		DIPSTICK/TUBE ASSEMBLY
868	690968		SEAL, Valve
883	692236		GASKET, Exhaust
914	691108		SCREW -(Rocker Cover)
1022	272475S		GASKET, Rocker Cover
1023	692492		COVER, Rocker -Used Before Code Date 05020100
1023	791079		COVER, Rocker -Used After Code Date 05013100



## Cylinder Head, Gasket Set - Valve, Lubrication, Valves

REF NO	PART NO	QTY	DESCRIPTION
1026	692003		ROD, Push -(Intake)
1026	692011		ROD, Push -(Exhaust)
1029	691751		ARM, Rocker
1034	690822		GUIDE, Push Rod
1095	691581		GASKET SET, Valve

Not For Reproduction



## Flywheel

REF NO	PART NO	QTY	DESCRIPTION
23	693557		FLYWHEEL
37	697352		GUARD, Flywheel
73	697133		SCREEN, Rotating -Used Before Code Date 07040900
73A	794437		SCREEN, Rotating -Used After Code Date 07040800
74	697897		SCREW -(Rotating Screen)
78	691003		SCREW -(Flywheel Guard)
363	19203		PULLER, Flywheel
415A	794129		COVER, Flywheel -Used After Code Date 07040800
783	693713		GEAR, Pinion
1005	794438		FAN, Flywheel -Used After Code Date 07040800
1005A	794436		FAN, Flywheel -Used Before Code Date 07040900
1005B	-----		Fan-Flywheel -(No Longer Available)(See Reference 1005A for Service Flywheel Fan)
1044	691658		SCREW -(Flywheel)
1051	691265		RING, Retaining
1070	690372		SCREW -(Flywheel Fan) -Used Before Code Date 07040900
1070A	690363		SCREW -(Flywheel Fan) -Used After Code Date 07040800

## Replacement Engine - US & Canada

REF NO	PART NO	QTY	DESCRIPTION
	31A6070026	1	Replacement Engine
	697761	1	Replacement Short Block
	-----		Top No-Load Speed: 3300 -Trim: ALL
	-----		Service Note: Transfer Muffler and/or Spark Arrester Assembly from the original engine if suitable for additional service or add new parts as required
	-----		Short Block Note: If repair would also require the Cylinder Head Assembly Order Short Block Part Number 791116.

Not For Reproduction



