

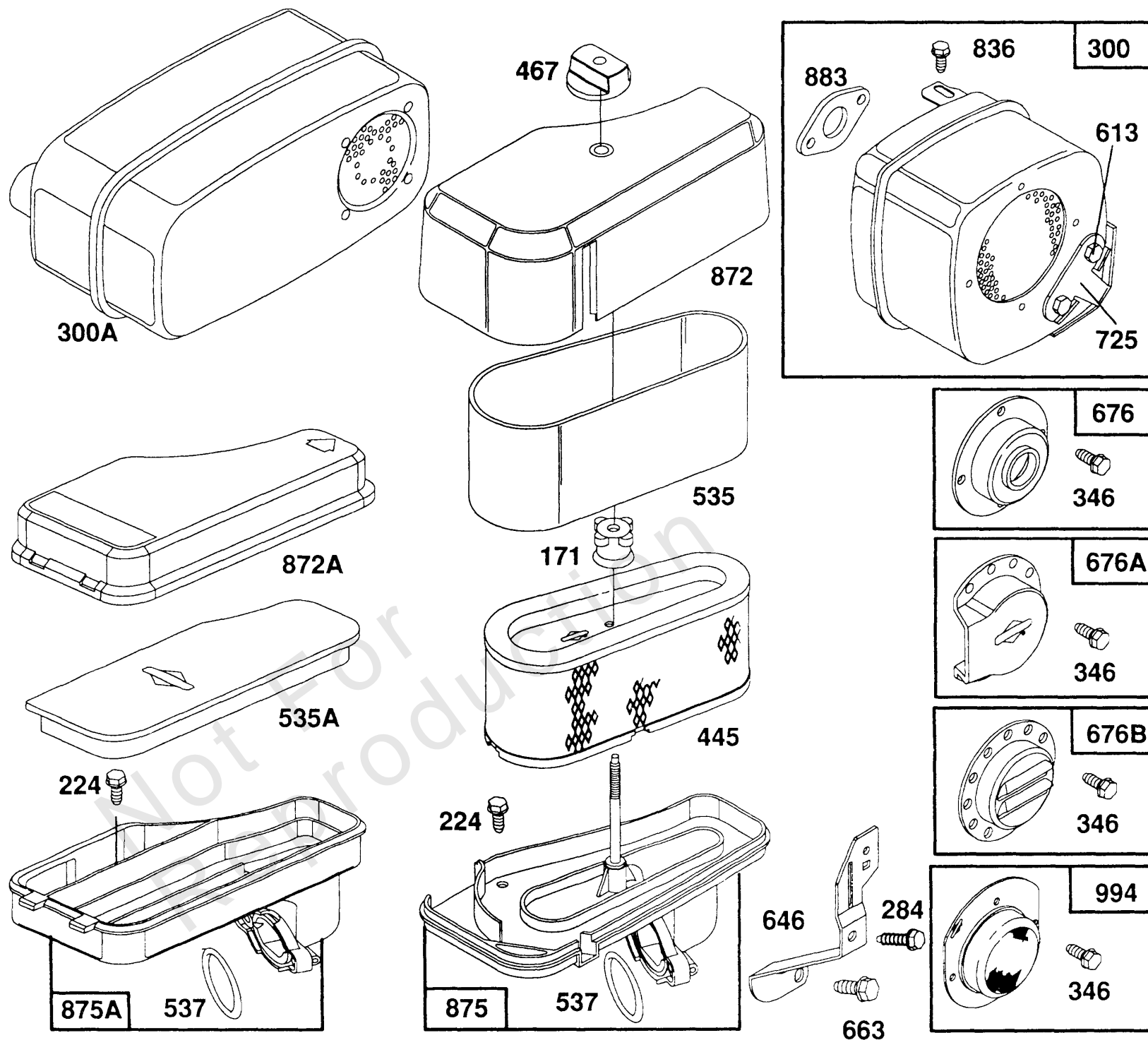


Parts Manual

Mfg. No: 257707-0123-01

Model Components	Page
Air Cleaner Grp, Muffer Grp.....	4
Alternator Chart.....	6
Blower Hsg, Elect, Flywheel.....	8
Carburetor Grp.....	10
Controls.....	14
Electric Starter.....	16
Fuel Tank Grp.....	18
Kits/Gasket Sets.....	20
Oil Fill, Cylinder, Head.....	24
Piston Grp, Sump, Cam, Crank.....	28
Replacement Engine - US & Canada.....	32
Rewind Starter.....	33

Not For
Reproduction

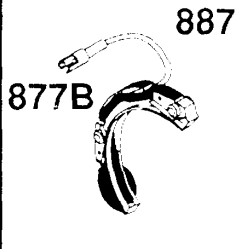
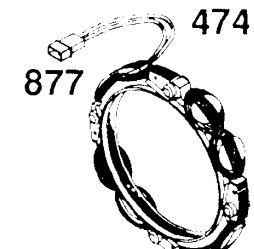
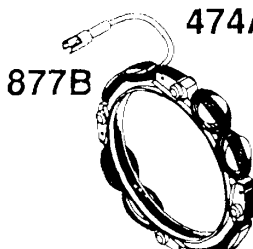
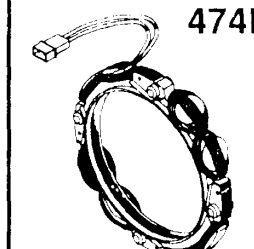
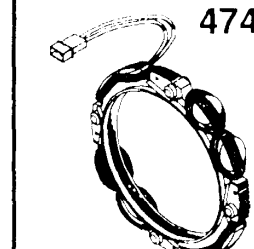
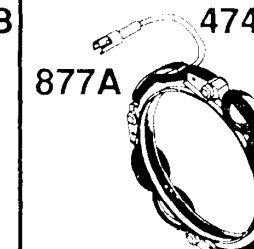
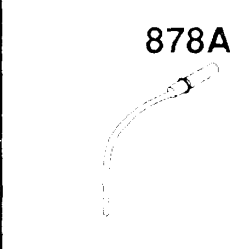
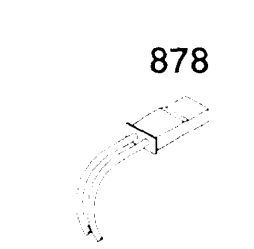
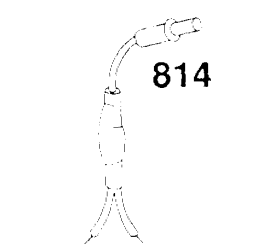
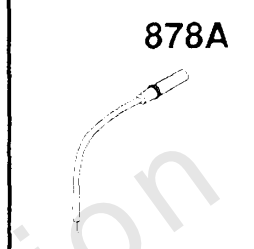
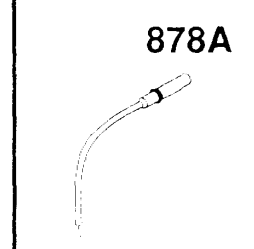
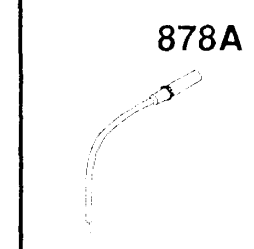
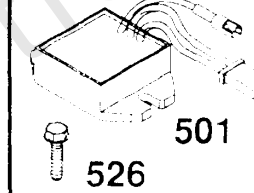
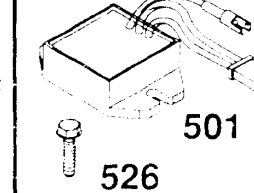
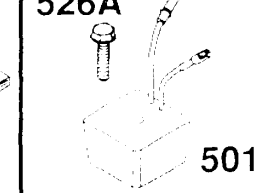


Air Cleaner Grp, Muffler Grp

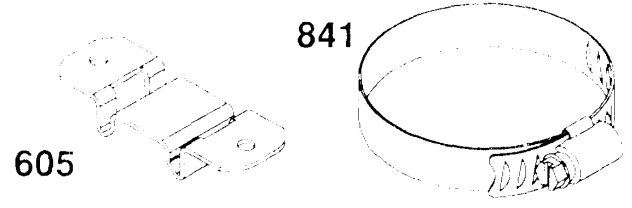
REF NO	PART NO	QTY	DESCRIPTION
171	281051		NUT
224	94513		SCREW -(Blower Housing)
284	94704		SCREW
300A	493963		MUFFLER -(Super Lo Tone)
300	491413		MUFFLER -(Square Lo Tone)
346	93705		SCREW -(8-32 X 3/8)
445	493910		FILTER, A/C Cartridge
467	493903		KNOB, Air Cleaner Cover
535A	272405		FILTER, A/C Cartridge
535	272477		FILTER, Pre Cleaner -(Foam)
537	281106		SEAL, O-Ring -Included in Gasket Set-Part No. 393411
613	93927		SCREW -(Muffler)
646	224546		BRACKET, Support
663	94620		SCREW -(Control Panel)
676A	393761		DEFLECTOR, Muffler -(Side Outlet)
676B	397630		DEFLECTOR, Muffler -(Louvered Outlet)
676	396903		DEFLECTOR, Muffler
725	223023		SHIELD, Heat
836	94513		SCREW -(Blower Housing)
872A	281108		COVER, Air Cleaner
872	281105		COVER, Air Cleaner
875A	494745		BASE, Air Cleaner -(Foam Air Cleaner)
875	494827		BASE, Air Cleaner -(Cartridge)
883	272293		GASKET, Exhaust -Included in Gasket Set-Part No. 393411
994	392390		ARRESTOR, Spark

Alternator Chart

Mfg. No: 257707-0123-01

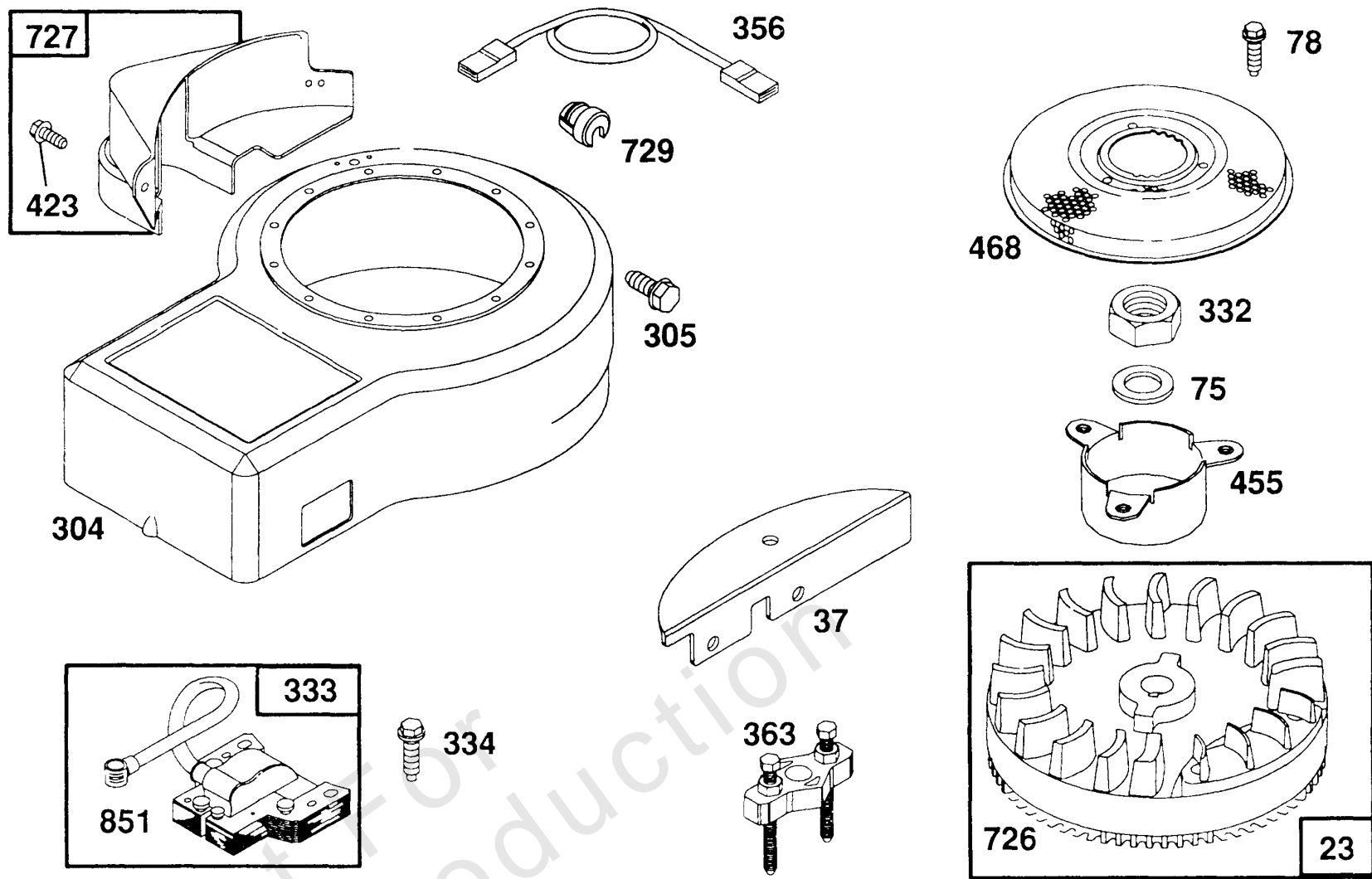
DC ONLY	DUAL CIRCUIT	TRI-CIRCUIT	10 AMP	16 AMP	9 AMP
SEE FLYWHEEL ASSEMBLY	SEE FLYWHEEL ASSEMBLY	SEE FLYWHEEL ASSEMBLY	SEE FLYWHEEL ASSEMBLY	SEE NOTE UNDER FLYWHEEL ASSEMBLY	SEE NOTE UNDER FLYWHEEL ASSEMBLY
 877B	 877	 877B	 474B	 474B	 877A
 878A	 878	 814	 878A	 878A	 878A
			 501 526	 501 526	 501A 526A

NOTE: ALL STATORS USE NO. 482 MOUNTING SCREW.



Alternator Chart

REF NO	PART NO	QTY	DESCRIPTION
474B	393295		ALTERNATOR -(10, 13, or 16 Amp-Depending on Size of Flywheel Magnets) (Regulated)
474A	392595		ALTERNATOR -(Tri Circuit) (9 Amp Regulated)
474	393474		ALTERNATOR -(Dual Circuit)
482	93621		SCREW -(Tapping)
501A	491546		REGULATOR -(9 Amp)
501	394890		REGULATOR -(10, 13, or 16 Amp, Depending on Size of Flywheel Magnets)
526A	94137		SCREW -(Regulator)
526	93343		SCREW -(Control Panel)
605	222934		BRACKET, Mounting
814	392606		HARNESS, Alternator -(Tri Circuit)
841	393514		CLAMP
877B	393814		WIRE/CONNECTOR, Alternator -(10 Amp Regulated)
877A	393537		WIRE/CONNECTOR, Alternator -(Tri Circuit) (9 Amp)
877	393456		WIRE/CONNECTOR, Alternator
878A	393422		WIRE ASSEMBLY -(Dc Only)
878	393362		HARNESS, Alternator -(Dual Circuit)
887	391529		ALTERNATOR -(DC Only)

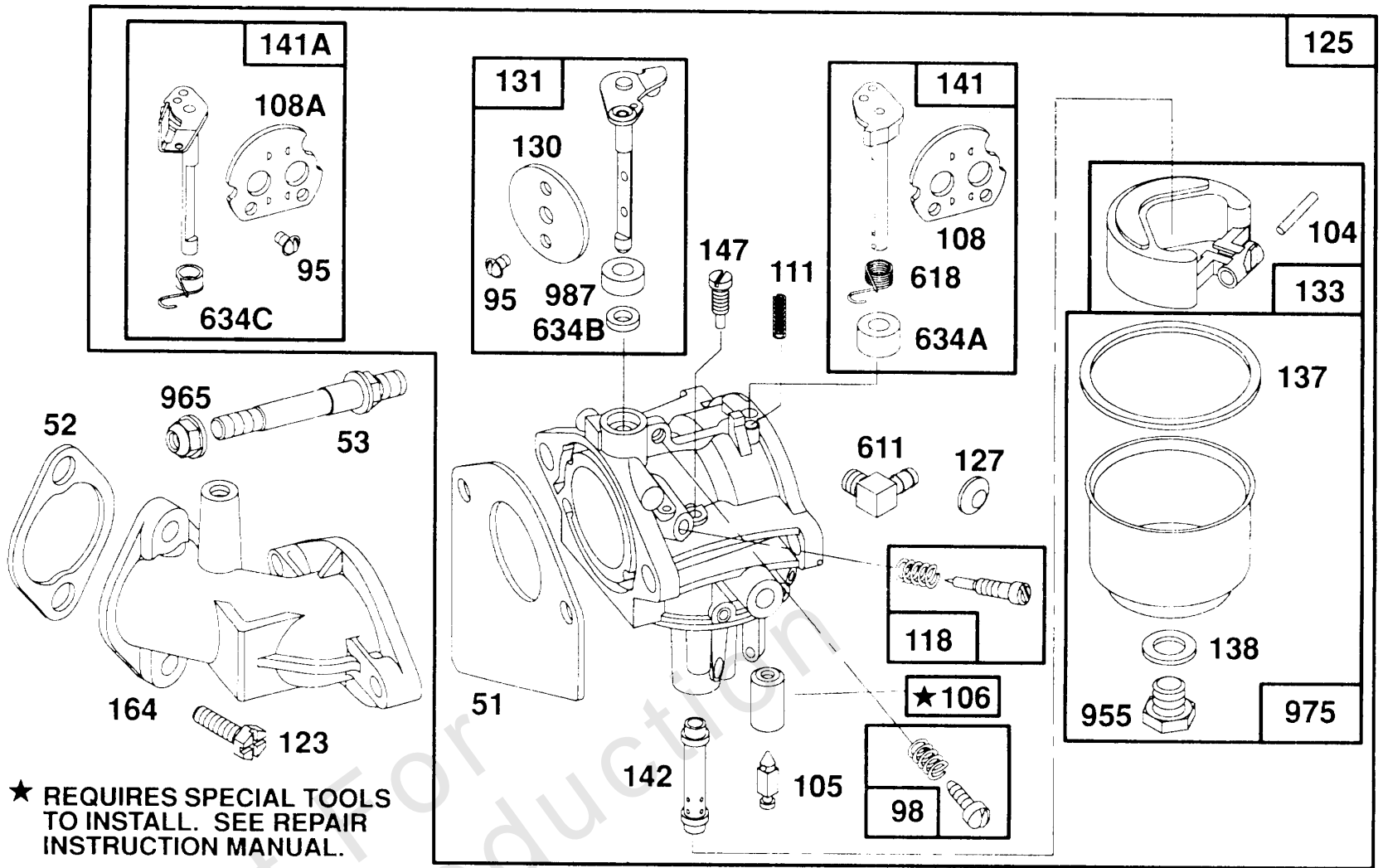


Blower Hsg, Elect, Flywheel

REF NO	PART NO	QTY	DESCRIPTION
23	391988		FLYWHEEL -(Plastic Motor Drive)
37	222475		GUARD, Flywheel
75	224061		WASHER -(5/8 Hole)
78	93805		SCREW
304	494087		HOUSING, Blower
305	94608		SCREW -(Fuel Shut Off)
332	92284		NUT -(Flywheel)
333	398811		ARMATURE, Magneto -(Magnetron Ignition)
334	93381		SCREW
356	494328		WIRE, Stop
363	19203		PULLER, Flywheel
423	94073		SCREW
423	94625		SCREW
455	222561		CUP, Flywheel
468	222562		SCREEN, Rotating
726	392134		GEAR, Ring
727	221968		GUARD, Flywheel -Use(s): 93712 Screw
727	223597		GUARD, Flywheel -Use(s): 93712 Screw
727	395405		COVER, Starter Drive
727	490324		COVER, Starter Drive -(Includes Mounting Hardware)
729	224723		CLIP, Wire
729	281159		CLIP, Wire
851	221798		TERMINAL, Spark Plug

Footnotes:

AssocPart: 0000000495837

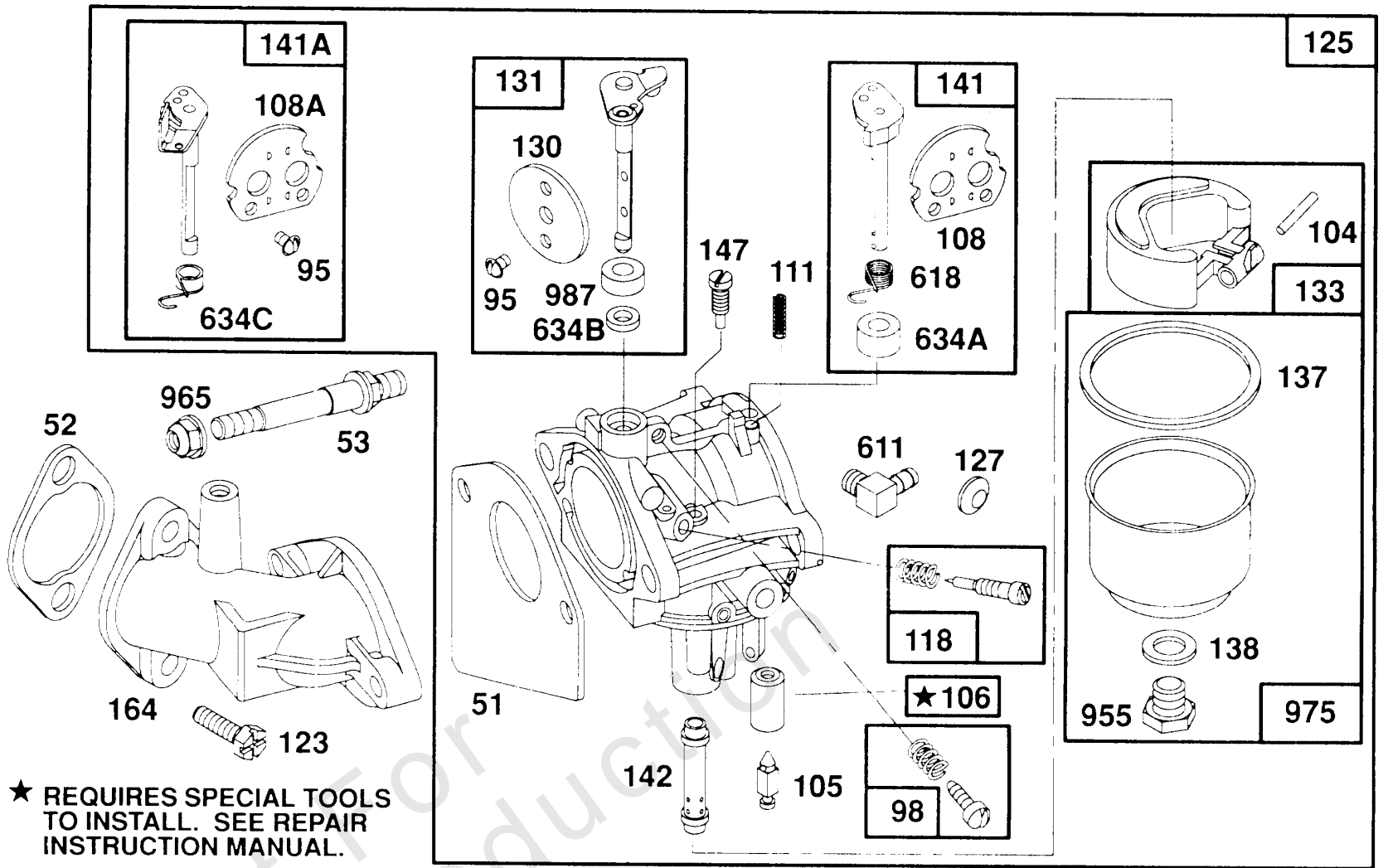


Carburetor Grp

REF NO	PART NO	QTY	DESCRIPTION
51	272465		GASKET, Intake -Included in Carburetor Kit-See Ref. 121. Included in Carburetor Gasket Set-Part No. 494385
52	270872		GASKET, Intake -Included in Gasket Set-Part No. 393411
53	94637		STUD
95	94098		SCREW -Included in Carburetor Kit-See Ref. 121
98	398185		KIT-IDLE SPEED -(Idle Speed) (Lmt 26, 27, 28, 31) -Used Before Code Date 92072000
98	495800		KIT, Idle Speed -(Idle Speed) (Lmt 54, 55, 91) -Used After Code Date 92071900
104	231789		PIN, Float Hinge -Included in Carburetor Kit-See Ref. 121
105	231790		VALVE, Float Needle -(Lmt 26, 27, 28, 31) -Used Before Code Date 92072000
105	231855		VALVE, Float Needle -(Lmt 54, 55, 91) -Used After Code Date 92071900
106	231854		SEAT, Inlet -(Gravity Feed) -Used After Code Date 92071900
106	231856		SEAT, Inlet -(Pump Feed) -Used After Code Date 92071900
106	281169		SEAT, Inlet -(Gravity Feed) (Lmt5,6) -Used Before Code Date 92072000
106	281178		SEAT, Inlet -(Pump Feed) -Used Before Code Date 92072000
108A	224667		VALVE, Choke -(Manual Choke)
108	224666		VALVE, Choke -(Choke-A-Matic)
111	262820		SPRING, Friction
118	494383		KIT, Idle Mixture -(Lmt 71,101,102,113,114,116)
123	94616		SCREW -(T-30)
125	494881		CARBURETOR -Used Before Code Date 92072000
127	-----		No Nomenclature -Included in Carburetor Kit-See Ref. 121
130	224539		VALVE, Throttle
131	494379		KIT, Throttle Shaft
133	494381		FLOAT, Carburetor
137	281165		GASKET, Float Bowl -Included in Carburetor Kit-See Ref. 121. Included in Carburetor Gasket Set-Part No. 494385
138	281164		WASHER, Sealing -Included in Carburetor Kit-See Ref. 121. Included in Carburetor Gasket Set-Part No. 494385
141A	495097		KIT, Choke Shaft -(Manual Choke) (Lmt 28,31,55,91,155,156)

Footnotes:

Included in Carburetor Kit-See Ref. 121
AssocPart: 000000495837

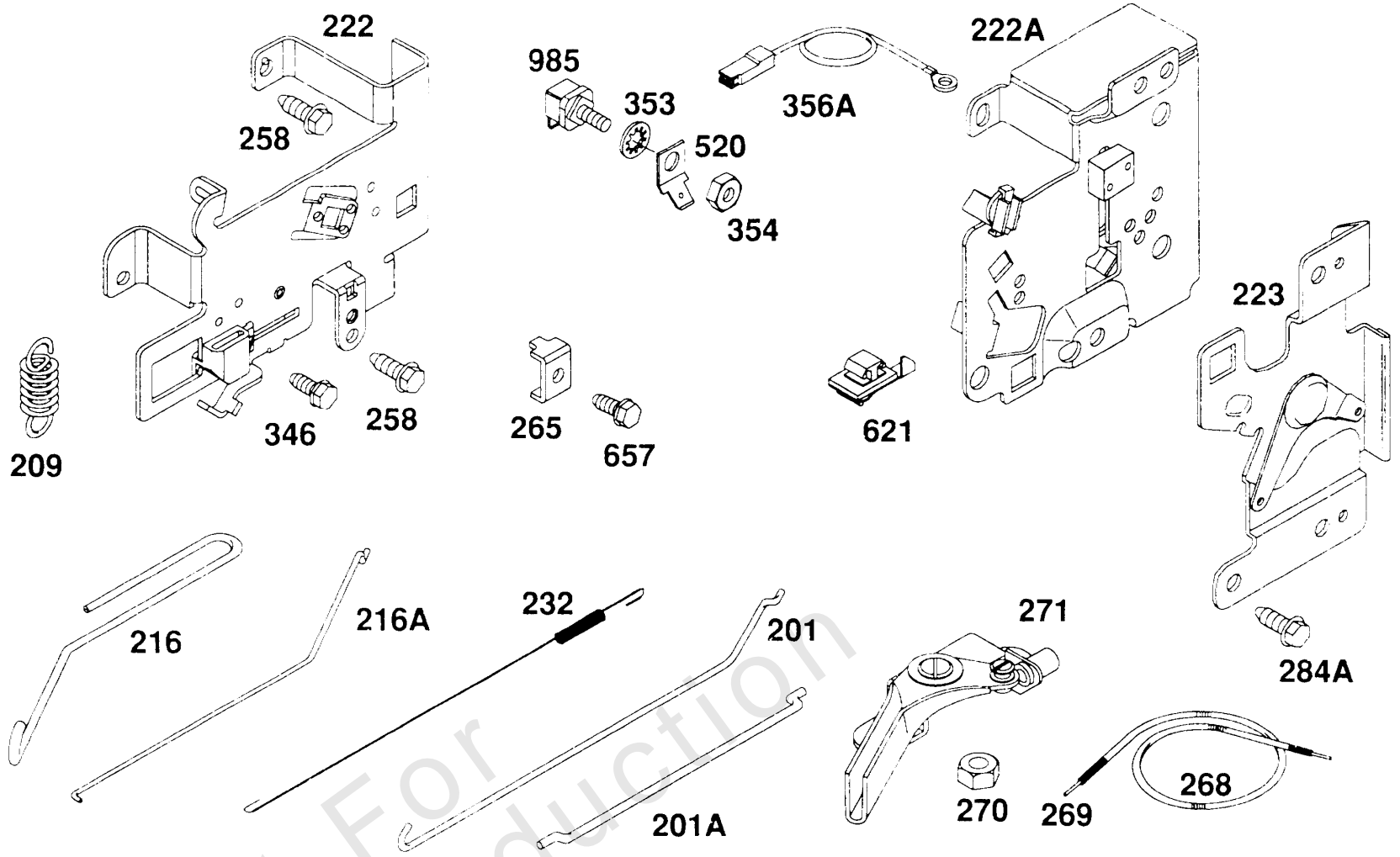


Carburetor Grp

REF NO	PART NO	QTY	DESCRIPTION
141	494879		SHAFT, Choke -Used Before Code Date 92091500
141	495931		KIT, Choke Shaft -(Choke-A-Matic) -Used After Code Date 92091400
142	494878		NOZZLE, Carburetor -OR 495604 Nozzle-Carb. (High Altitude) Include(s): 281164 Seal-Bowl Screw
147	231794		JET, Pilot -Included in Carburetor Kit-See Ref. 121
164	213819		MANIFOLD, Intake
611	494451		TUBE, Pick Up
618	262803		SPRING, Choke Return
634B	281167		SEAL, Throttle Shaft -Included in Carburetor Kit-See Ref. 121 (LMT 1, 2, 3,4, 5, 7, 33,34,37, 38, 39, 40, 41,92)
634A	281168		SEAL, Choke/Throttle Shaft -Included in Carburetor Kit-See Ref. 121
634C	494453		SPRING/SEAL ASSEMBLY -(Manual Choke) Included in Carburetor Kit-See Ref. 121
955	94642		SCREW -(Float Bowl)
965	94108		NUT
975	494378		BOWL, Float
987	281166		SEAL, Choke/Throttle Shaft -Included in Carburetor Kit-See Ref. 121

Footnotes:

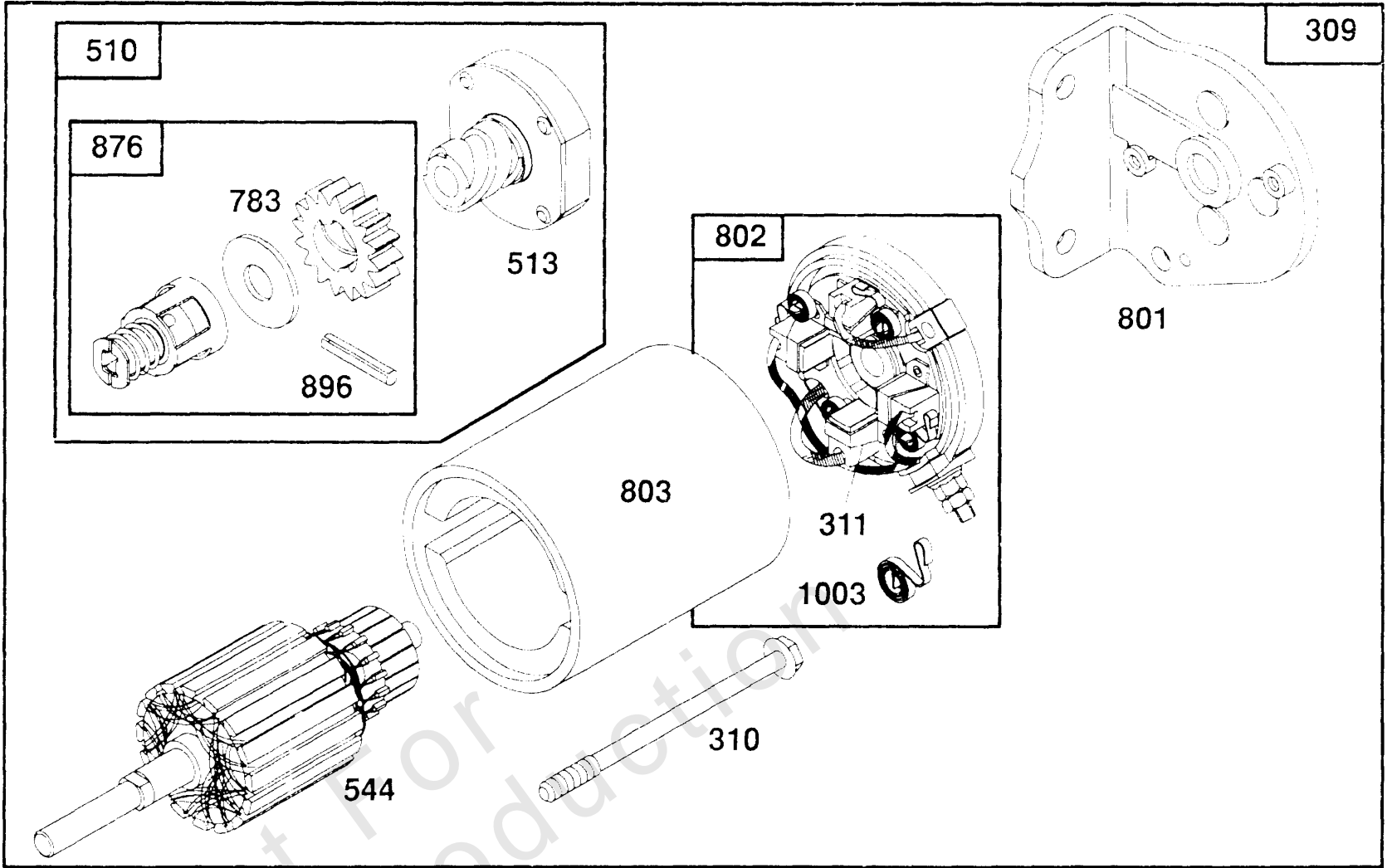
Included in Carburetor Kit-See Ref. 121
AssocPart: 0000000495837



Not For
Reproduction

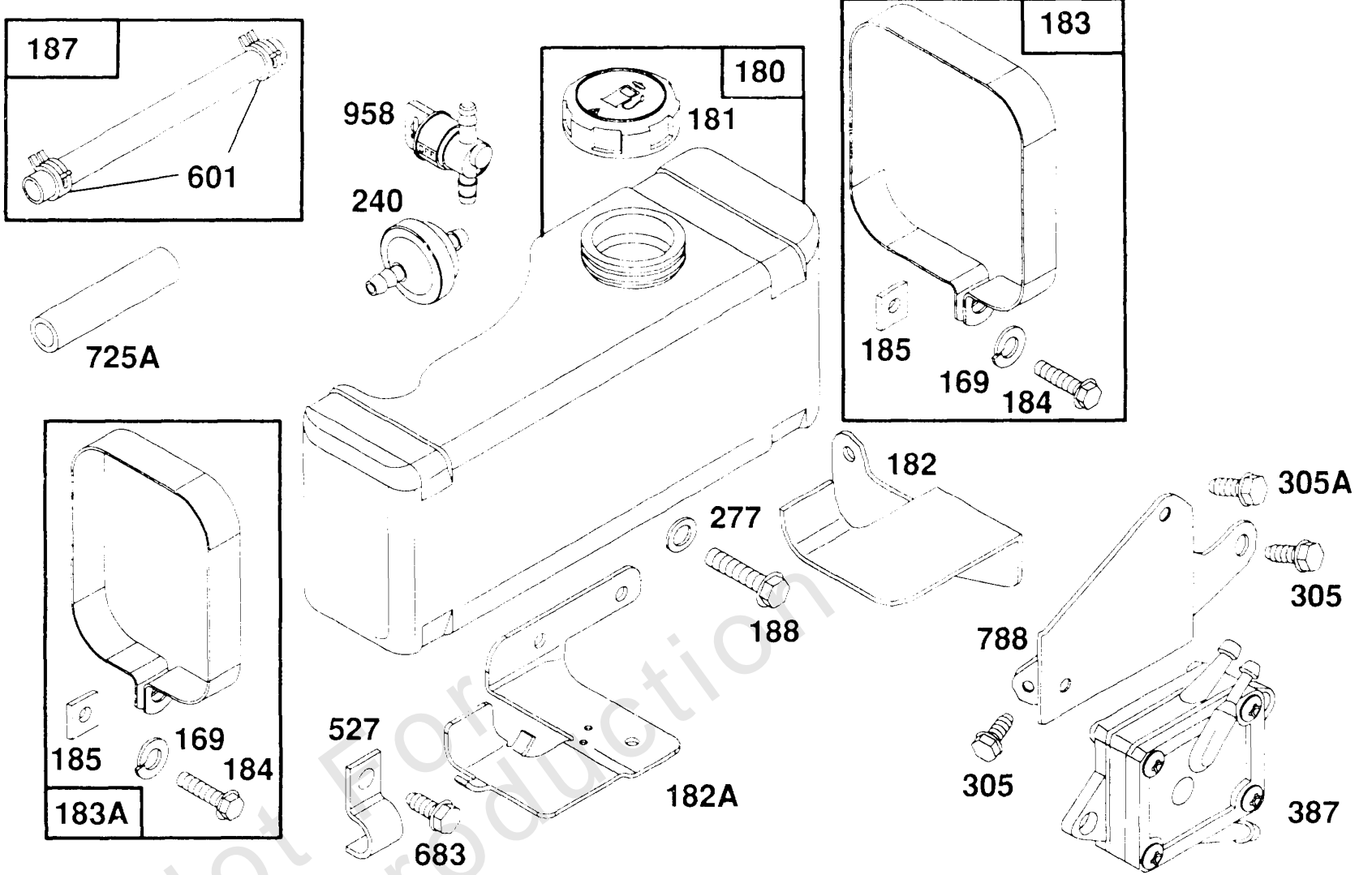
Controls

REF NO	PART NO	QTY	DESCRIPTION
201A	262828		LINK, Bell Crank
201	262767		LINK, Mechanical Governor
209	261306		SPRING, Governor
216A	262778		LINK, Choke
216	262766		LINK, Choke
222A	494041		BRACKET, Control
222	493896		BRACKET, Control
222	494887		BRACKET, Control -(with Stop Switch)
223	494587		LEVER, Governor Control
232	262785		SPRING/LINK, Mechanical Governor
258	94620		SCREW -(Control Panel)
265	221535		CLAMP, Casing -(Stamped Steel)
268	65616		CASING, Control Wire -(Cut To Required Length)
269	26633		WIRE, Control -(Cut To Required Length) If Longer Wire is Required, Specify Length in Inches; if Shorter Wire is Needed, Cut to Required Length.
270	63426		NUT -(Control Wire Casing)
271	290568		LEVER, Control
284A	94620		SCREW -(Control Panel)
346	93705		SCREW -(8-32 X 3/8)
353	92791		WASHER
354	90576		NUT -(Ground Terminal)
356A	398808		WIRE, Stop -(Cut To Required Length)
520	93722		TERMINAL, Ground
621	396847		SWITCH, Stop
657	93496		SCREW -(10-32 X 5/8)
985	398525		INSULATOR



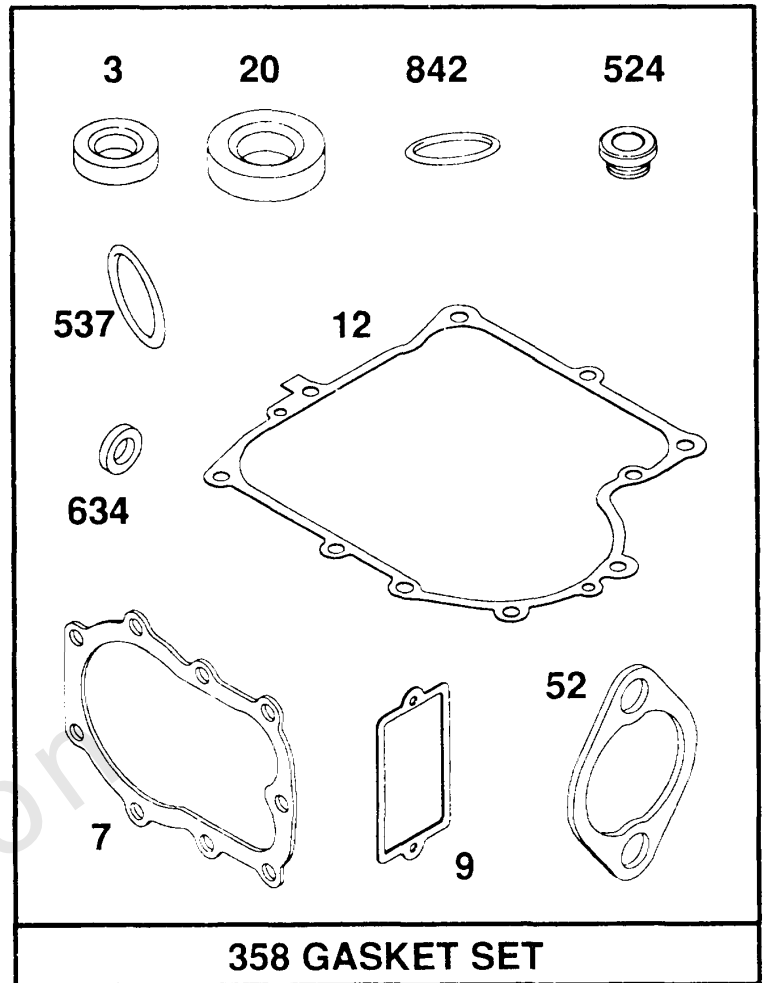
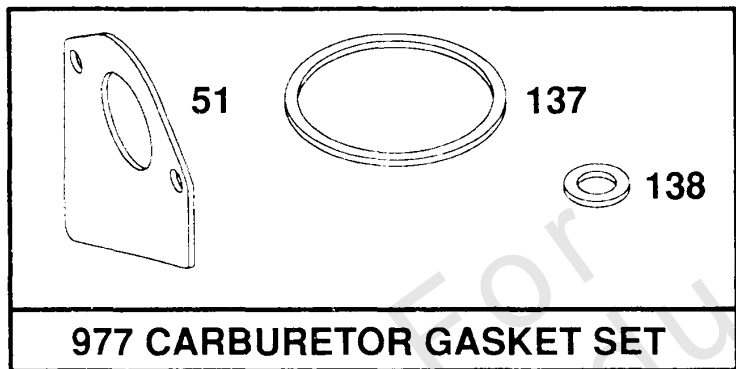
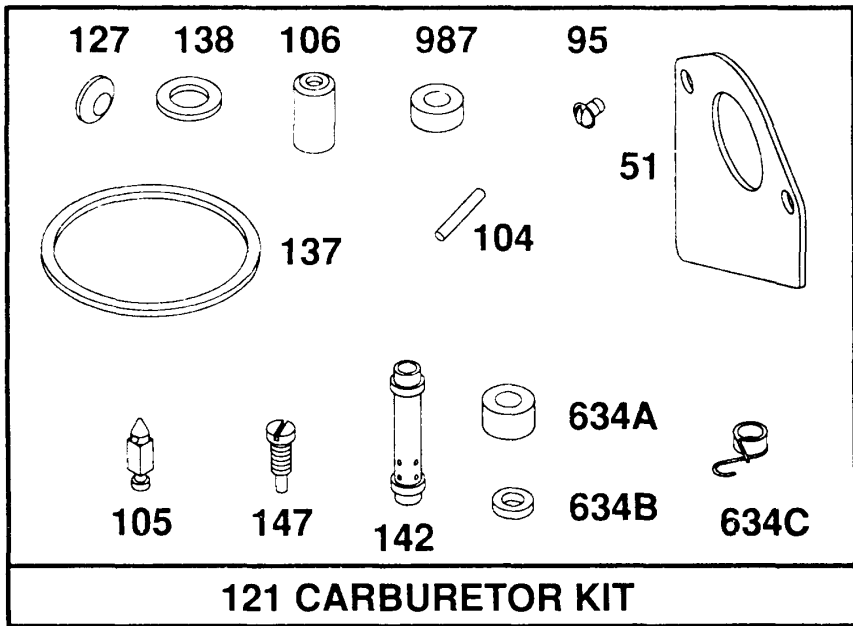
Electric Starter

REF NO	PART NO	QTY	DESCRIPTION
309	394805		MOTOR, Starter -(3 1/16 Housing)
309	399169		MOTOR, Starter -(4 9/16 Housing)
309	494990		MOTOR, Starter -(4 3/8 Housing)
310	94003		SCREW -(3 5/8 Housing)
310	94004		SCREW -(4 3/8 Housing)
310	94169		SCREW -(4 1/2 Housing)
311	395538		SET, Brush -(3-5/8 or 4 3/8 Housing)
311	490311		SET, Brush -(4 9/16 Housing)
510	490421		DRIVE, Starter -(3-21/32 or 4 9/16 Housing)
510	495878		DRIVE, Starter -(4 3/8 Housing)
513	398003		CLUTCH, Starter
544	390837		ARMATURE, Starter -(3 5/8 Housing)
544	490309		ARMATURE, Starter -(4 9/16 or 4 3/8 Housing)
783	280104		GEAR, Pinion -(Briggs & Stratton 12V)
801	394856		CAP, Drive
802	395537		CAP, End -(3 5/8 Housing)
802	490310		HOUSING, Brush End -(4 1/2 or 4 9/16 Housing)
802	494988		CAP, End -(4 3/8 Housing)
803	398159		HOUSING, Starter -(3 5/8 Housing)
803	399172		HOUSING, Starter -(4 1/2 or 4 9/16 Housing)
803	494205		HOUSING, Starter -(4 3/8 or 4 9/16 Housing)
876	490467		DRIVE, Starter -(Briggs & Stratton 12V)
876	495877		DRIVE, Starter -(4 3/8 Housing)
896	94288		PIN, Drive Retainer
1003	490316		SPRING, Brush -(4 1/2 or 4 9/16 Housing)



Fuel Tank Grp

REF NO	PART NO	QTY	DESCRIPTION
169	90832		SCREW -(Blower Housing)
180	390225		TANK, Fuel -(3 Quart) (Plastic)
181	493988		CAP, Fuel Tank -(Plastic)
182A	222979		BRACKET, Fuel Tank -(L.H.)
182	222980		BRACKET, Fuel Tank -(R.H.)
183A	390405		STRAP, Fuel Tank -(L.H.)
183	390406		STRAP, Fuel Tank -(R.H.)
184	93803		SCREW
185	90970		NUT -(1/4-20)
187	299146		LINE, Fuel -(Cut To Required Length)
187	393815		HOSE, Vacuum -(Cylinder To Impulse Pump)(Cut To Required Length)
188	93535		SCREW -(5/16-18 X 3/4)
188	93634		SCREW -(5/16-18 X 7/8)
240	298090		FILTER, Fuel
277	22776		WASHER
277	22963		WASHER
305A	94513		SCREW -(Blower Housing)
305	94608		SCREW -(Fuel Shut Off)
387	491922		PUMP, Fuel
527	221428		CLAMP, Tube
601	93053		CLAMP, Hose -(Green)
683	93572		SCREW -(10-32 X 3/8)
725A	222175		SHIELD, Heat
788	224431		BRACKET, Fuel Pump
958	493960		VALVE, Fuel Shut Off -(Plastic)

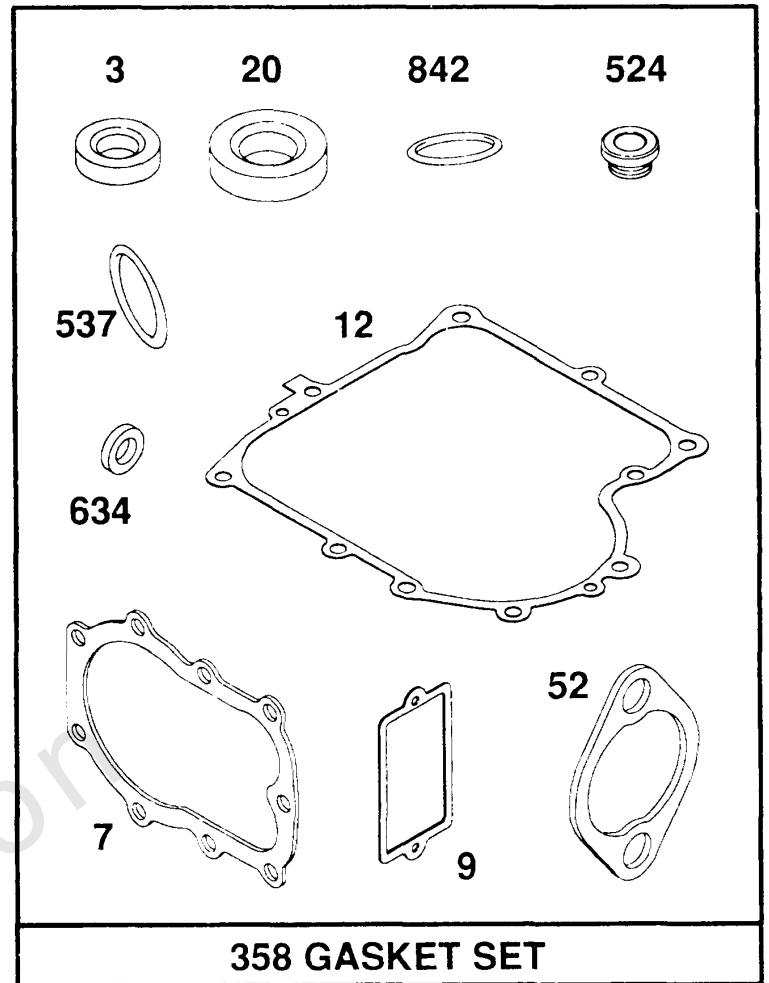
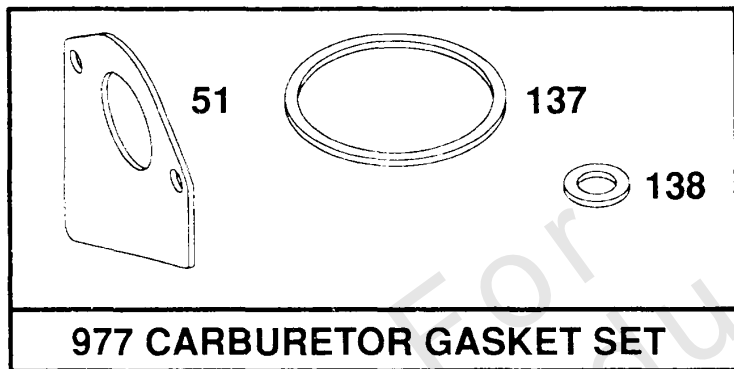
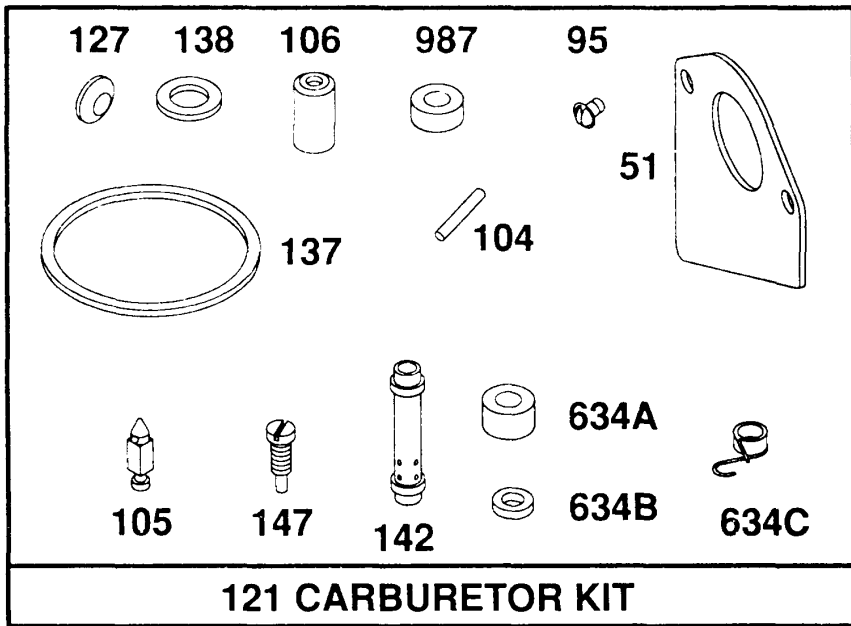


Kits/Gasket Sets

REF NO	PART NO	QTY	DESCRIPTION
3	391086		SEAL, Oil -Included in Gasket Set-Part No. 393411
7	271866		GASKET, Cylinder Head -Included in Gasket Set-Part No. 393411
9	27803		GASKET, Rocker Cover -Included in Gasket Set-Part No. 393411
12	270915		GASKET, Crankcase -(.005) Included in Gasket Set-Part No. 393411
12	270916		GASKET, Crankcase -(.009) Included in Gasket Set-Part No. 393411
12	271702		GASKET, Crankcase -(.015) Included in Gasket Set-Part No. 393411
20	291675		SEAL, Oil -(Crankcase Cover) Included in Gasket Set-Part No. 393411
51	272465		GASKET, Intake -Included in Carburetor Kit-See Ref. 121. Included in Carburetor Gasket Set-Part No. 494385
52	270872		GASKET, Intake -Included in Gasket Set-Part No. 393411
95	94098		SCREW -Included in Carburetor Kit-See Ref. 121
104	231789		PIN, Float Hinge -Included in Carburetor Kit-See Ref. 121
105	231790		VALVE, Float Needle -(Lmt 26, 27, 28, 31) -Used Before Code Date 92072000
105	231855		VALVE, Float Needle -(Lmt 54 55, 91) -Used After Code Date 92071900
106	231854		SEAT, Inlet -(Gravity Feed) -Used After Code Date 92071900
106	231856		SEAT, Inlet -(Pump Feed) -Used After Code Date 92071900
106	281169		SEAT, Inlet -(Gravity Feed) (Lmt5,6) -Used Before Code Date 92072000
106	281178		SEAT, Inlet -(Pump Feed) -Used Before Code Date 92072000
121	494882		KIT, Carburetor Overhaul -Used Before Code Date 92072000
121	495837		KIT, Carburetor Overhaul -Used After Code Date 92071900
127	-----		No Nomenclature -Included in Carburetor Kit-See Ref. 121
137	281165		GASKET, Float Bowl -Included in Carburetor Kit-See Ref. 121. Included in Carburetor Gasket Set-Part No. 494385
138	281164		WASHER, Sealing -Included in Carburetor Kit-See Ref. 121. Included in Carburetor Gasket Set-Part No. 494385
142	494878		NOZZLE, Carburetor -OR 495604 Nozzle-Carb. (High Altitude) Include(s): 281164 Seal-Bowl Screw
147	231794		JET, Pilot -Included in Carburetor Kit-See Ref. 121

Footnotes:

Included in Carburetor Kit-See Ref. 121
AssocPart: 000000495837



Kits/Gasket Sets

REF NO	PART NO	QTY	DESCRIPTION
358	393411		GASKET SET, Engine
524	68838		SEAL, O-Ring -(Dipstick Tube) Included in Gasket Set-Part No. 393411
537	281106		SEAL, O-Ring -Included in Gasket Set-Part No. 393411
634A	281168		SEAL, Choke/Throttle Shaft -Included in Carburetor Kit-See Ref. 121
634C	494453		SPRING/SEAL ASSEMBLY -(Manual Choke) Included in Carburetor Kit-See Ref. 121
634B	281167		SEAL, Throttle Shaft -Included in Carburetor Kit-See Ref. 121 (LMT 1, 2, 3,4, 5, 7, 33,34,37, 38, 39, 40, 41,92)
634	491323		SEAL, Governor Shaft -Included in Gasket Set-Part No. 393411
842	270920		SEAL, O-Ring -(Oil Fill) Included in Gasket Set-Part No. 393411
977	494385		SET, Carburetor Gasket
987	281166		SEAL, Choke/Throttle Shaft -Included in Carburetor Kit-See Ref. 121

Not For
Reproduction

Footnotes:

Included in Carburetor Kit-See Ref. 121
AssocPart: 0000000495837

Oil Fill, Cylinder, Head

REF NO	PART NO	QTY	DESCRIPTION
1	495729		CYLINDER ASSEMBLY
2	399265		KIT, Bushing/Seal -(Magneto Side)
3	391086		SEAL, Oil -Included in Gasket Set-Part No. 393411
5	212914		HEAD, Cylinder
7	271866		GASKET, Cylinder Head -Included in Gasket Set-Part No. 393411
8	391406		BREATHER ASSEMBLY
9	27803		GASKET, Rocker Cover -Included in Gasket Set-Part No. 393411
10	94621		SCREW -(Breather Assembly)
11	280100		TUBE, Breather
13	22963		WASHER
13	93723		SCREW -(3)
13	93781		STUD -(3 15/16)
186	67218		CONNECTOR, Hose
225	231058		CRANK, Governor -(1/4 Diameter)
227	493935		LEVER, Governor Control
230	94742		WASHER
306	224542		SHIELD, Cylinder
307	93949		SCREW
308	222725		COVER, Cylinder Head
337	802592		PLUG, Spark -(Resistor)
383	89838		WRENCH, Spark Plug
422	223394		CLAMP, Tube
523	391841		CAP, Oil Fill
524	68838		SEAL, O-Ring -(Dipstick Tube) Included in Gasket Set-Part No. 393411
525	280134		TUBE, Dipstick
552	231597		BUSHING, Governor Crank -(1/4 I.D.)
562	92613		BOLT -(Governor Lever)
592	231082		NUT -(Governor Control)
614	93306		PIN, Cotter
615	93307		RETAINER, Governor Shaft
634	491323		SEAL, Governor Shaft -Included in Gasket Set-Part No. 393411
635	66538		BOOT, Spark Plug
663	94620		SCREW -(Control Panel)
842	270920		SEAL, O-Ring -(Oil Fill) Included in Gasket Set-Part No. 393411
847	392067		TUBE, Dipstick
869	261463		SEAT, Valve -(Intake)

Footnotes:

AssocPart: 0000000495837

Oil Fill, Cylinder, Head

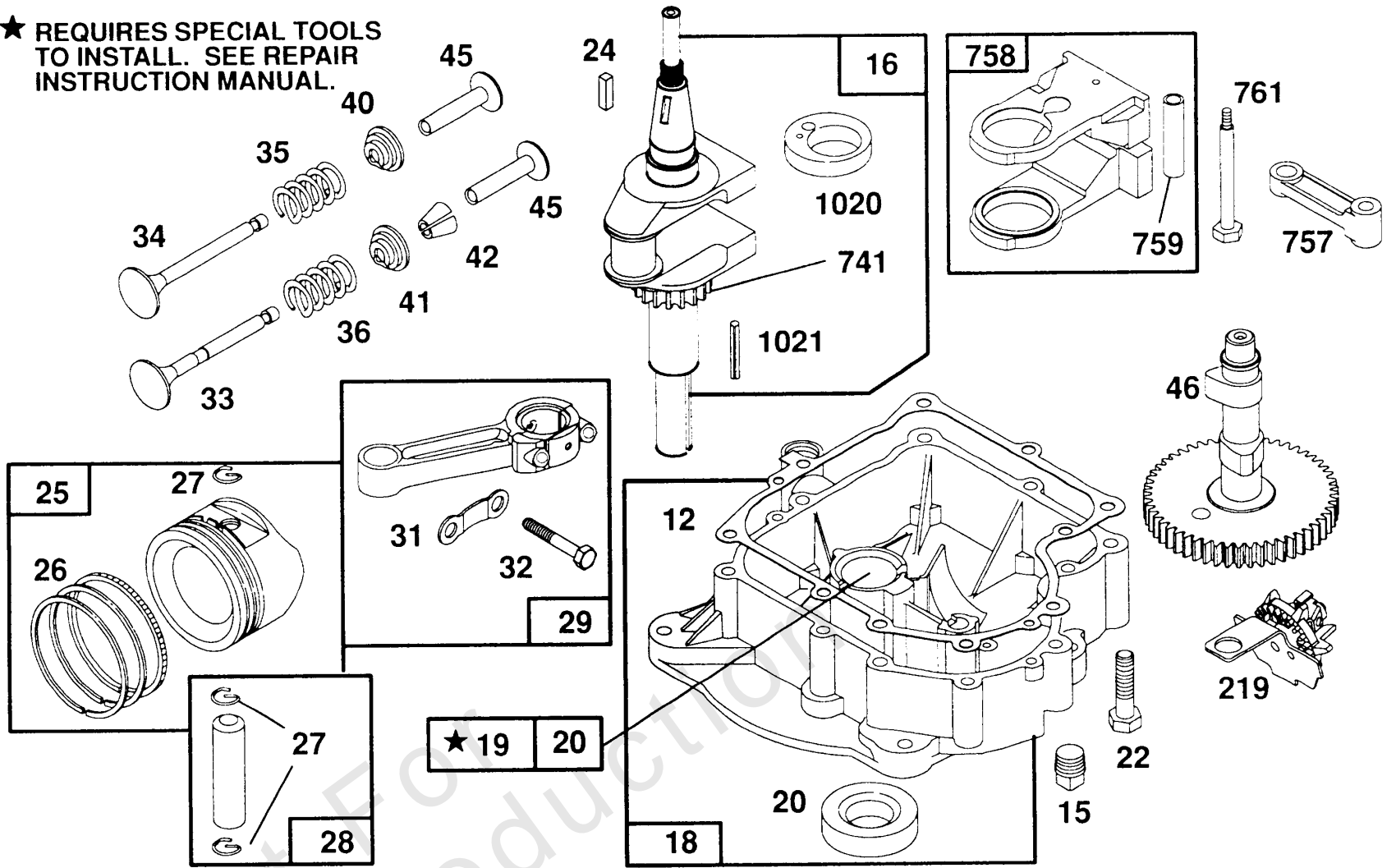
REF NO	PART NO	QTY	DESCRIPTION
870	213316		SEAT, Valve -(Exhaust)
871	231218		BUSHING, Valve Guide -(Intake)
871	261961		BUSHING, Valve Guide -(Exhaust)
1019	491254		KIT, Label

Not For
Reproduction

Footnotes:

AssocPart: 0000000495837

★ REQUIRES SPECIAL TOOLS TO INSTALL. SEE REPAIR INSTRUCTION MANUAL.



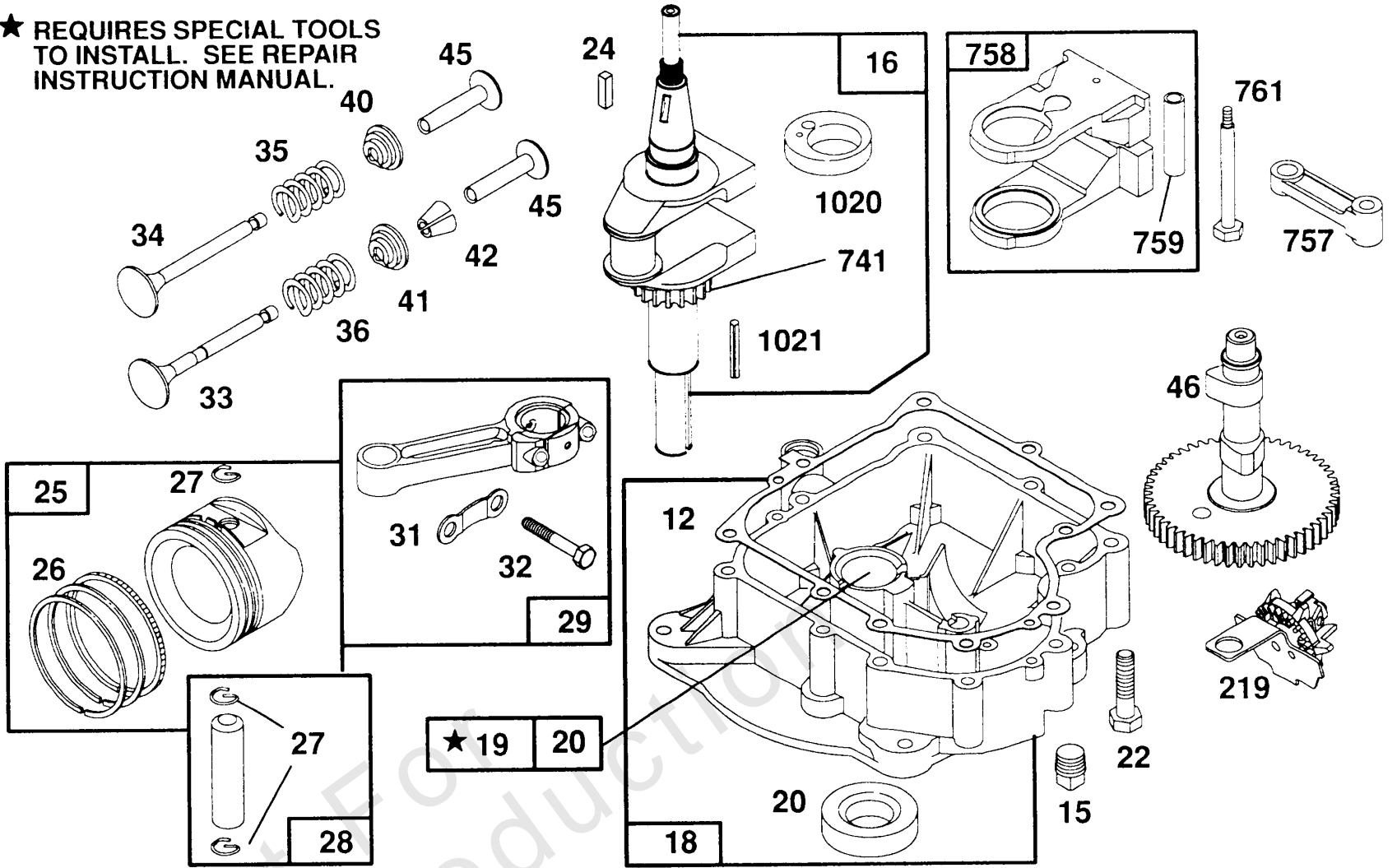
Piston Grp, Sump, Cam, Crank

REF NO	PART NO	QTY	DESCRIPTION
12	270915		GASKET, Crankcase -(.005) Included in Gasket Set-Part No. 393411
12	270916		GASKET, Crankcase -(.009) Included in Gasket Set-Part No. 393411
12	271702		GASKET, Crankcase -(.015) Included in Gasket Set-Part No. 393411
15	94239		PLUG, Oil Drain -(Square Head)
16	491647		CRANKSHAFT -For Timing Gear Key-Order Part No. 94196
18	391784		SUMP, Engine
19	490666		KIT, Bushing/Seal
20	291675		SEAL, Oil -(Crankcase Cover) Included in Gasket Set-Part No. 393411
22	93585		SCREW -(Crankcase Cover)
24	222698		KEY, Flywheel
25	394661		PISTON ASSEMBLY -(Standard)
25	394662		PISTON ASSEMBLY -(.010 Oversize)
25	394663		PISTON ASSEMBLY -(.020 Oversize)
25	394664		PISTON ASSEMBLY -(.030 Oversize)
26	391780		SET, Ring -(Standard)
26	391781		SET, Ring -(.010 Oversize)
26	391782		SET, Ring -(.020 Oversize)
26	391783		SET, Ring -(.030 Oversize)
26	392331		SET, Ring -(Standard)
27	260924		LOCK, Piston Pin
28	299691		PIN, Piston -(Standard)
28	391286		PIN, Piston -(.005 Oversize)
29	490348		ROD, Connecting -(Standard)
29	490469		ROD, Connecting -(.020 Undersize)
31	222299		LOCK, Rod Screw
32	92909		SCREW
33	261185		VALVE, Exhaust
34	261462		VALVE, Intake
35	65906		SPRING, Valve -(Intake)
36	26828		SPRING, Valve -(Exhaust)
40	221596		RETAINER, Valve -(Valves With Groove In Stem)
41	292260		RETAINER, Valve -(Exhaust Valve) (Exhaust)

Footnotes:

AssocPart: 0000000495837

★ REQUIRES SPECIAL TOOLS TO INSTALL. SEE REPAIR INSTRUCTION MANUAL.



Piston Grp, Sump, Cam, Crank

REF NO	PART NO	QTY	DESCRIPTION
42	93630		KEEPER, Valve -(2)
45	262248		TAPPET, Valve
46	212897		CAMSHAFT
219	490815		GEAR, Governor
741	262135		GEAR, Timing -(Key)
757	212359		LINK, Counterweight
758	391373		COUNTERWEIGHT
759	298909		PIN. Piston
761	93875		SCREW
1020	261242		ECCENTRIC
1021	94160		PIN, Retainer

Not For
Reproduction

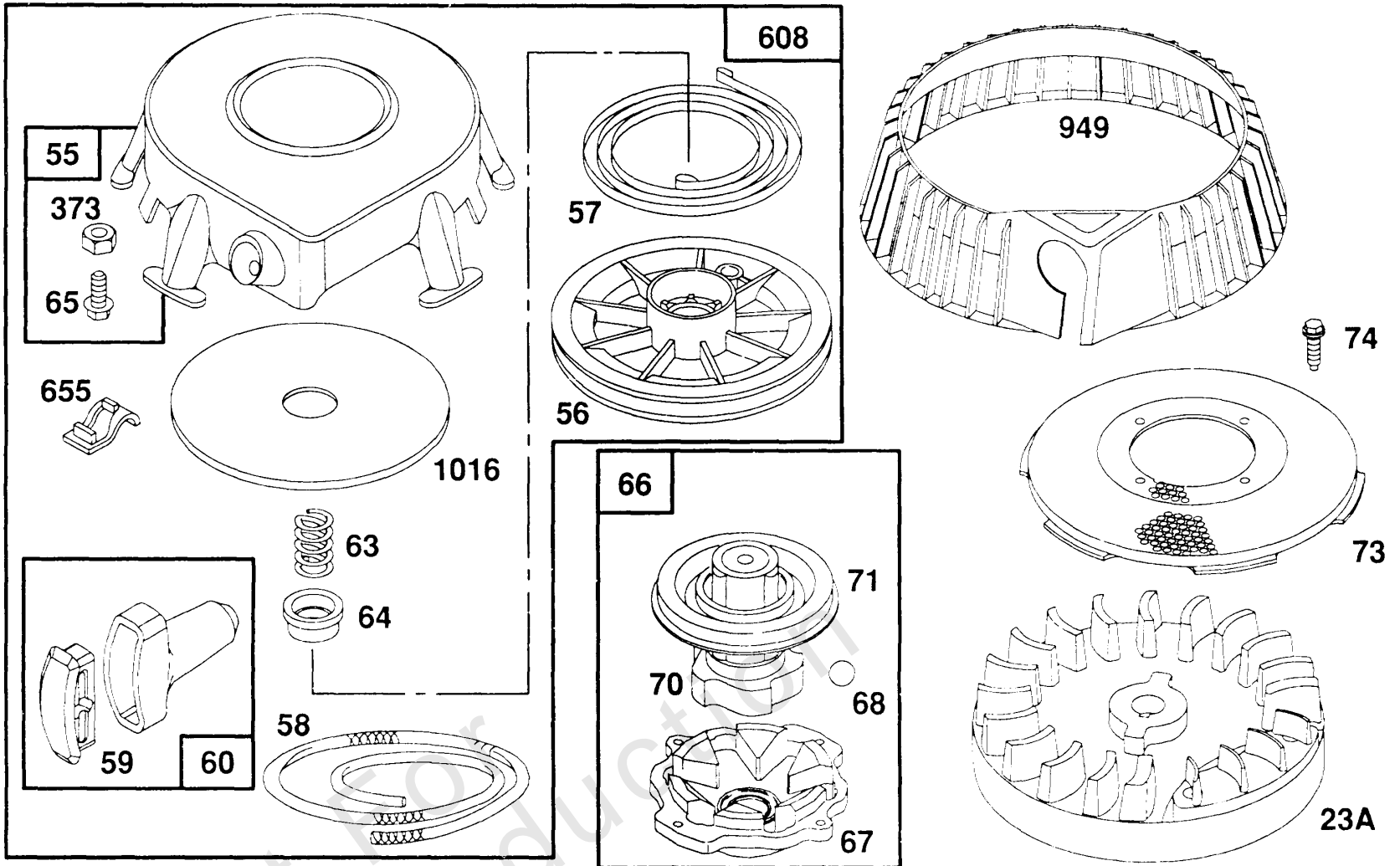
Footnotes:

AssocPart: 0000000495837

Replacement Engine - US & Canada

REF NO	PART NO	QTY	DESCRIPTION
	2179073025	1	Replacement Engine
	392595	1	ALTERNATOR -Add Part
	393474	1	ALTERNATOR -Remove Part
-----			Top No-Load Speed: 3400 -Trim: 01
-----			Service Note: If the replacement engine supersedes to or is a Model 210000 series engine, refer to the illustrations located after the conversion data for this model series. The overall dimensions which differ, are shown in the illustrations.
-----			Service Note: If after making a visual inspection and it is determined the Model 210000 series engine cannot be used because of equipment interference, the original engine should be repaired with a short block and/or individual parts.

Not For Reproduction



Not for
Reproduction

Rewind Starter

REF NO	PART NO	QTY	DESCRIPTION
23A	392157		FLYWHEEL -(Rope And Rewind Starter)
55	393576		HOUSING, Rewind Starter
56	295871		PULLEY, Starter -(63 Rope)
57	490179		SPRING-REWIND STR
58	66884		ROPE, Starter -(Cut To Required Length)
59	490653		INSERT, Grip
60	490652		GRIP-STARTER ROPE
63	260414		SPRING, Ratchet
64	230543		ADAPTER, Ratchet Spring
65	94128		SCREW
66	399671		CLUTCH-STARTER -(Uses Rubber Coated Retainer Washer-Ref. 71)
67	394897		HOUSING, Clutch
68	63770		BALL, Clutch
70	298799		RATCHET, Clutch -(engine W/Ring Gear on FW equipped for Elec Start)
71	394506		COVER, Ratchet -(Rubber Coated)
73	221796		SCREEN, Rotating
74	93758		SCREW -(Rotating Screen)
373	92987		STARTER, Rewind
608	390391		STARTER, Rewind
655	222598		ANCHOR, Rewind Spring -(Stamped Rewind Housing)
949	280685		GUARD, Rewind
1016	490817		SPACER-REWIND -(Rewind)

Footnotes:

AssocPart: 0000000495837

