



# Parts Manual

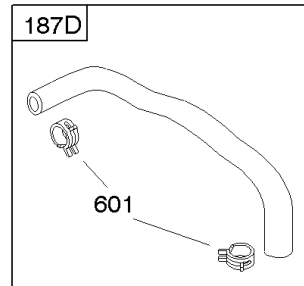
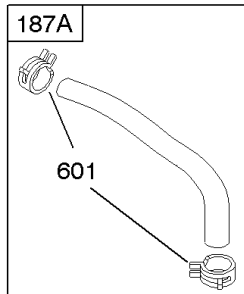
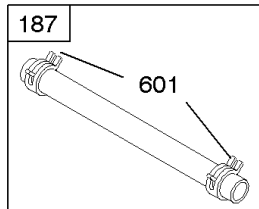
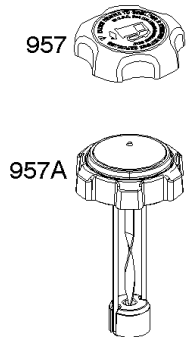
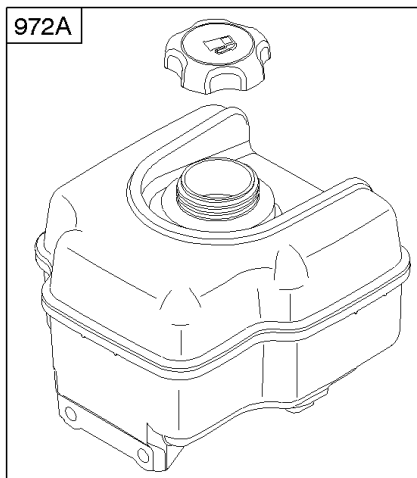
Mfg. No: 20G414-0111-E1



---

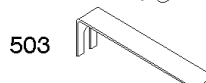
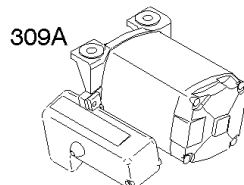
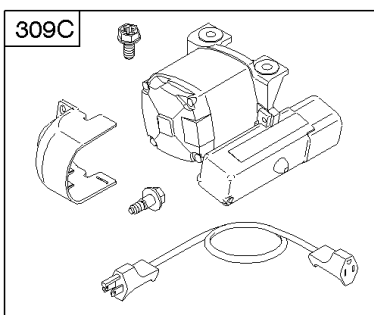
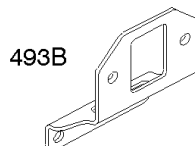
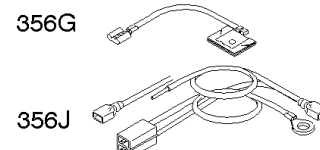
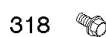
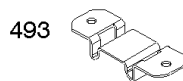
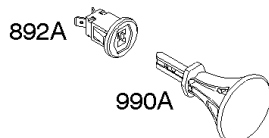
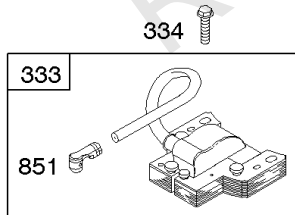
<b>Model Components</b>	<b>Page</b>
Alternator, Electric Starter, Fuel Supply, Ignition. ....	4
Blower Housing/Shrouds, Flywheel. ....	6
Camshaft, Crankcase Cover, Crankshaft, Cylinder, Lubrication, Operator's Manual, Piston/Rings/Connecting	8
Carburetor, Kit - Carburetor Overhaul, Rewind Starter. ....	12
Controls, Governor Spring. ....	14
Cylinder Head, Gasket Set - Engine, Gasket Set - Valve, Valves. ....	16
Exhaust System. ....	18
Replacement Engine - US & Canada. ....	20

Not For  
Reproduction



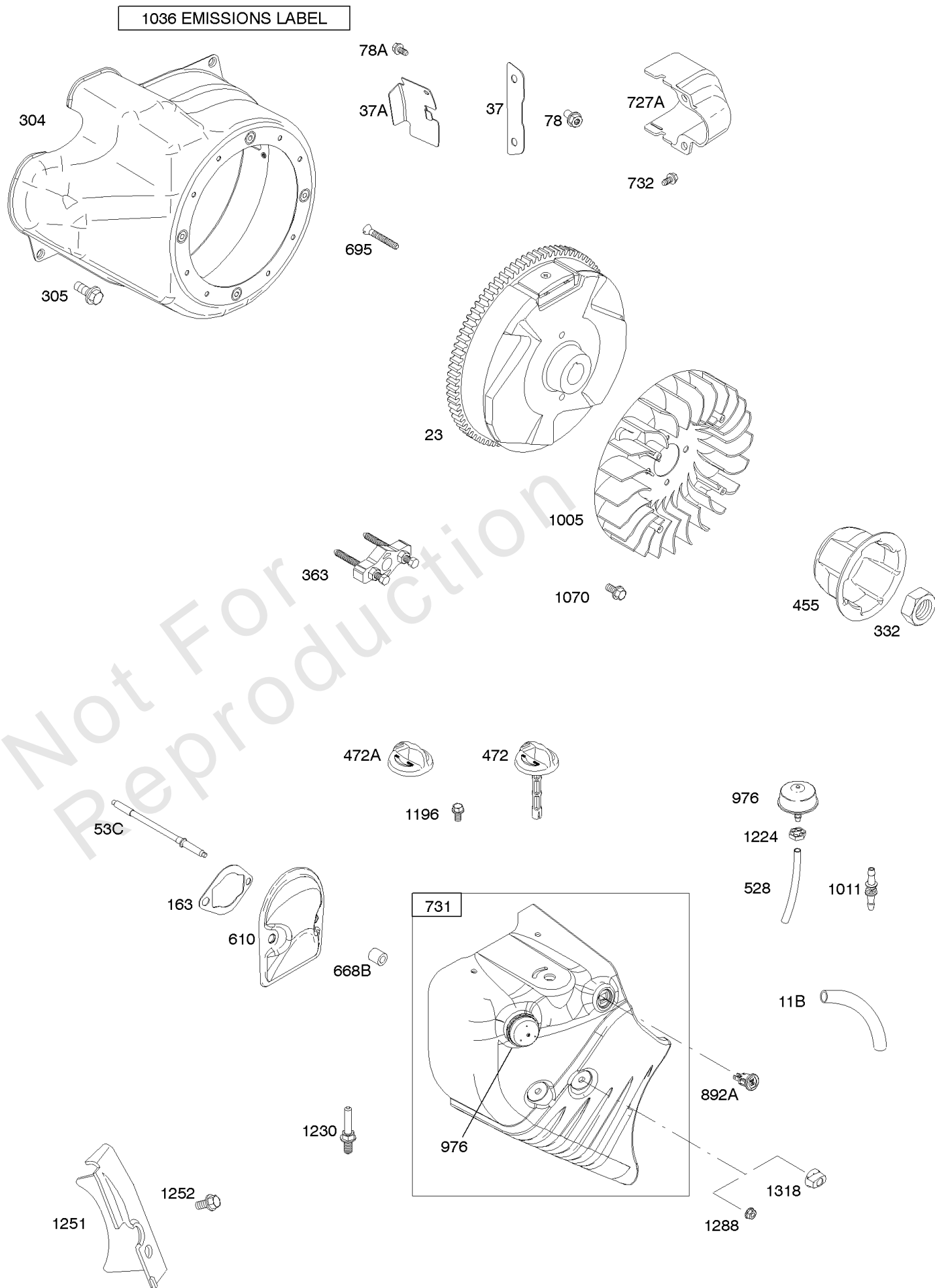
AC ONLY	DC ONLY	DUAL CIRCUIT	5 - 9 AMP
<p><b>NOTE:</b> All stators use a No. 1119 mounting screw.</p> <p><b>NOTE:</b> The proper flywheel part number and/or the alternator magnet size will determine the alternator type or output. See repair instruction manual for additional information.</p>			

Not For Reproduction



## Alternator, Electric Starter, Fuel Supply, Ignition

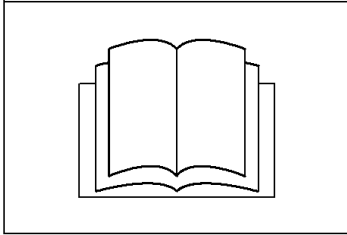
REF NO	PART NO	QTY	DESCRIPTION
5	793305		HEAD, Cylinder
187	791766		LINE, Fuel -(15" Long)(Cut to Required Length)
187A	791869		LINE, Fuel -Used After Code Date 05063000
187A	695429		LINE, Fuel -Used Before Code Date 05070100
187D	698080		LINE, Fuel -Used Before Code Date 05070100
187D	791879		LINE, Fuel -Used After Code Date 05063000
190	692127		SCREW -(Fuel Tank)
309C	698311		MOTOR, Starter
318	690372		SCREW -(Mounting Bracket)
333	492341		ARMATURE, Magneto
334	691061		SCREW -(Magneto Armature)
356G	696748		WIRE, Stop
356J	793206		WIRE, Stop
474	694457		ALTERNATOR
474A	695730		ALTERNATOR
474H	698230		ALTERNATOR
474C	698314		ALTERNATOR
493	691177		BRACKET, Mounting
501	698315		REGULATOR
503	698318		STRAP, Starter
526	690297		SCREW -(Regulator)
601	791850		CLAMP, Hose
697	698113		SCREW -(Drive Cap)
813	690635		CLAMP
851	692424		TERMINAL, Spark Plug
878	398661		HARNESS, Wiring
892A	791944		SWITCH, Key
957	792647		CAP, Fuel Tank -(Plastic)
958	698180		VALVE-FUEL SHUT OFF -(Plastic)
972A	694260		TANK, Fuel -(Plastic)
990A	695756		SET, Key
1119	691183		SCREW -(Alternator)



## Blower Housing/Shrouds, Flywheel

REF NO	PART NO	QTY	DESCRIPTION
11B	696750		TUBE, Breather
23	695485		FLYWHEEL
53C	794542		STUD -(Carburetor)
163	692277		GASKET-AIR CLEANER -(Air Cleaner)
304	791478		HOUSING, Blower
305	691108		SCREW -(Blower Housing)
332	694685		NUT -(Flywheel)
363	19203		PULLER, Flywheel
455	697226		CUP, Flywheel
472	696752		KNOB, Choke Shaft
472A	791958		KNOB, Choke Shaft
528	793006		HOSE, Primer -(Cut To Required Length)
610	794541		ARRESTER, Intake
668B	794539		SPACER -(Snow Hood)
695	698807		SCREW -(Ring Gear)
727A	697465		COVER, Starter Drive
731	794591		HOOD, Snow
732	691097		SCREW -(Starter Drive Cover)
892A	791944		SWITCH, Key
976	695750		PRIMER, Carburetor -Used Before Code Date 04061600
976	790221		PRIMER, Carburetor -Used After Code Date 04061500
1005	694684		FAN, Flywheel
1011	794544		TUBE, Vent
1036	-----		LABEL, Emissions -(Available From A Briggs & Stratton Authorized Dealer)
1070	691058		SCREW -(Flywheel Fan)
1196	699166		SCREW -(Snow Hood) -Used After Code Date 03041300
1196	696685		SCREW -(Snow Hood) -Used Before Code Date 03041400
1224	696824		NUT -(Carburetor Primer)
1230	696747		STUD -(Control Bracket)
1251	696762		SHIELD, Snow
1252	691108		SCREW -(Snow Shield)
1288	696757		LOCKNUT -(Snow Hood)
1318	698111		KNOB, Snow Hood

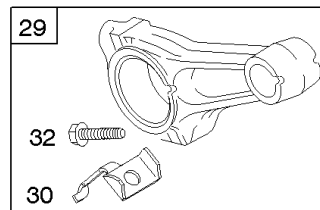
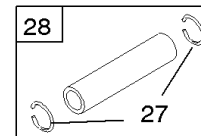
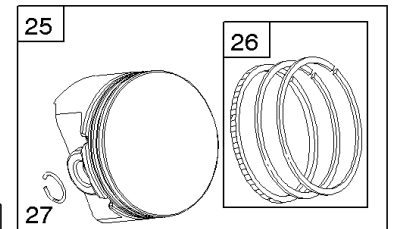
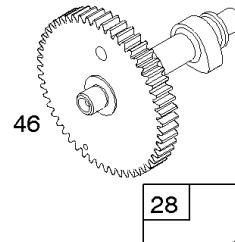
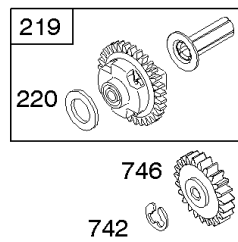
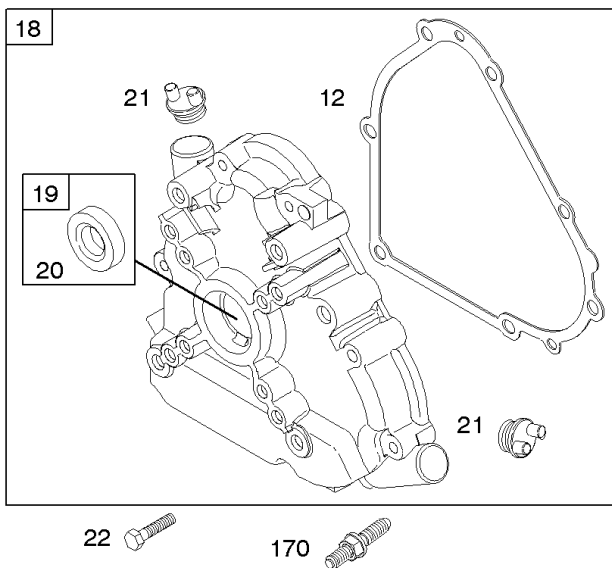
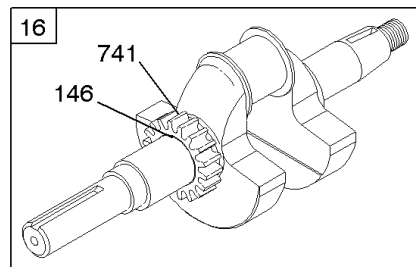
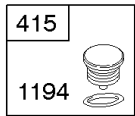
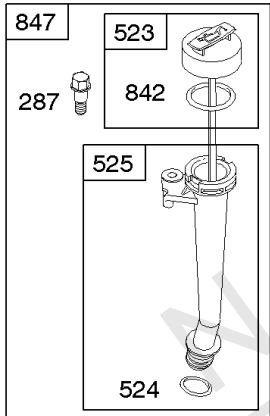
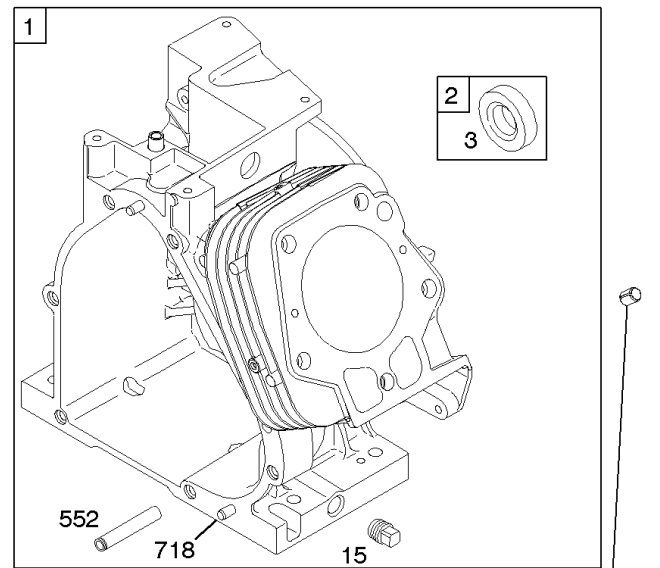
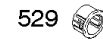
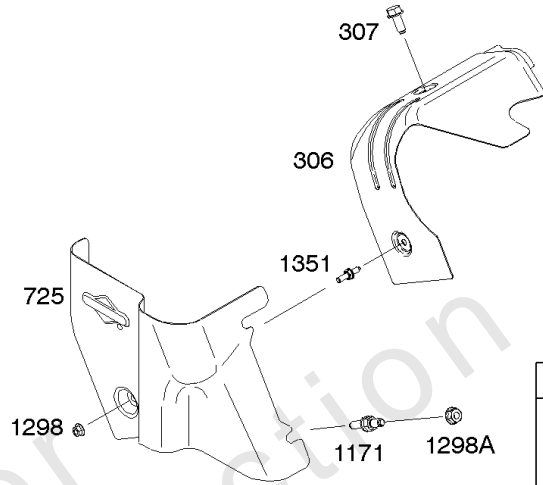
1058 OPERATOR'S MANUAL



1319 WARNING LABEL

<b>WARNING</b>	
	Read and follow Operating Instructions before running engine.
	Gasoline is flammable. Allow engine to cool at least 2 minutes before refueling.
	Engines emit carbon monoxide, <b>DO NOT</b> run in enclosed area.
	Muffler area temperature may exceed 150°F. Do not touch hot parts.

**REQUIRED** when replacing parts with warning labels affixed.

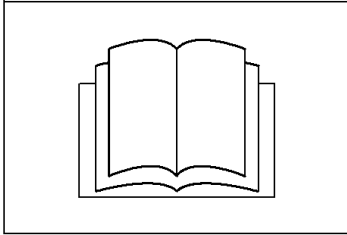




## Camshaft, Crankcase Cover, Crankshaft, Cylinder, Lubrication, Operator's Manual, Piston/

REF NO	PART NO	QTY	DESCRIPTION
1	794849		CYLINDER ASSEMBLY
2	698340		KIT, Bushing/Seal -(Magneto Side)
3	391086S		SEAL, Oil -(Magneto Side)
12	694953		GASKET, Crankcase
15	691686		PLUG-OIL DRAIN
15B	695757		PLUG, Oil Drain
16	794720		CRANKSHAFT
18	791965		COVER, Crankcase
19	698340		KIT, Bushing/Seal -(PTO Side)
20	391086S		SEAL, Oil -(PTO Side)
21	281658S		CAP-OIL FILL
22	695174		SCREW -(Crankcase Cover/Sump)
24	222698S		KEY, Flywheel
25	792144		PISTON ASSEMBLY -(.020 Oversize)
25	792117		PISTON ASSEMBLY -(Standard)
26	792026		SET, Ring -(Standard) -Used After Code Date 05080900
26	792073		SET, Ring -(.020 Oversize) -Used After Code Date 05080900
26	694004		SET, Ring -(Standard) -Used Before Code Date 05081000
26	694008		SET, Ring -(.020 Oversize) -Used Before Code Date 05081000
27	690975		LOCK, Piston Pin
28	696581		PIN, Piston -(Standard)
29	694691		ROD, Connecting
30	694692		DIPPER, Connecting Rod
32	690976		SCREW -(Connecting Rod)
46	790958		CAMSHAFT
146	690979		KEY, Woodruff
170	695296		STUD -(Crankcase Cover/Sump)
219	693578		GEAR, Governor
220	691724		WASHER -(Governor Gear)
287	691693		SCREW -(Dipstick Tube)
306	697240		SHIELD, Cylinder
307	691660		SCREW -(Cylinder Shield)
415	691363		PLUG
523	695344		DIPSTICK
524	691876		SEAL, O-Ring
525	695343		TUBE, Dipstick

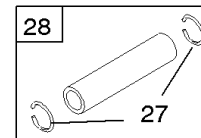
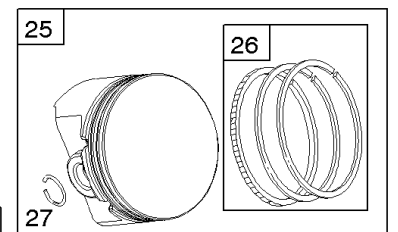
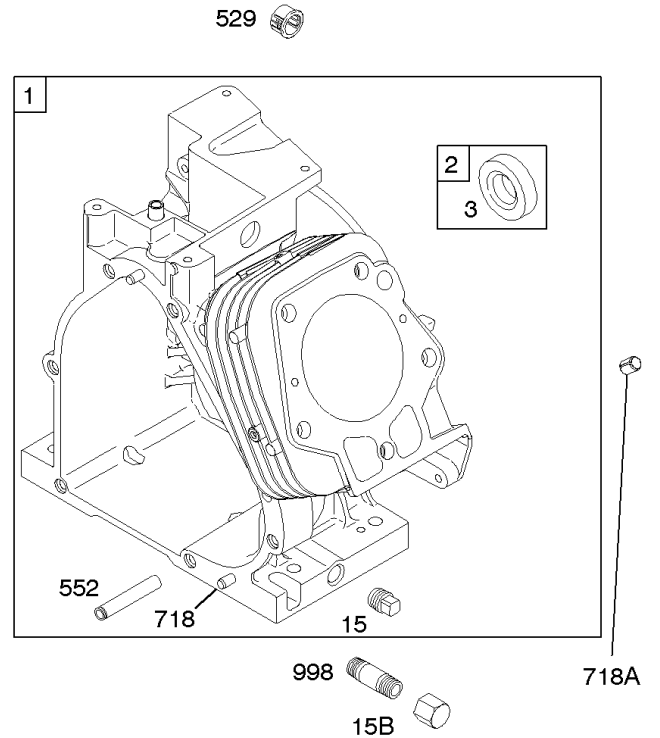
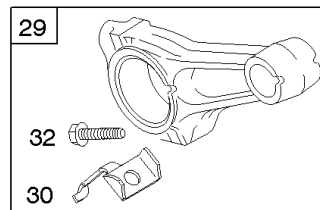
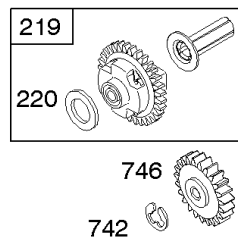
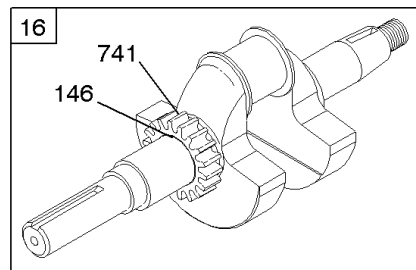
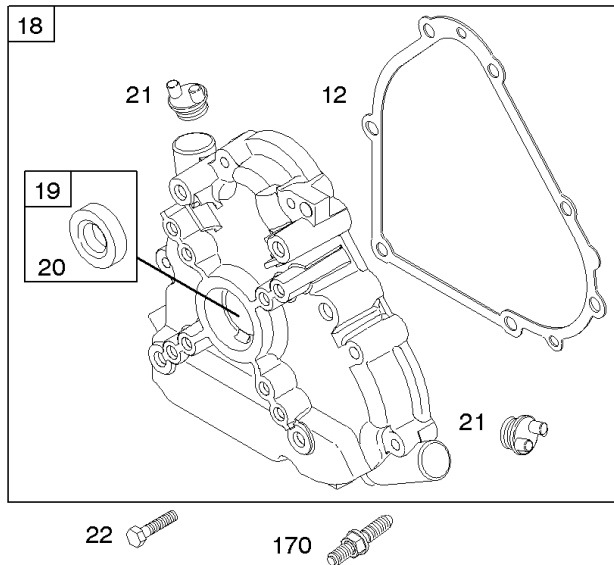
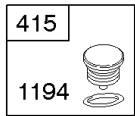
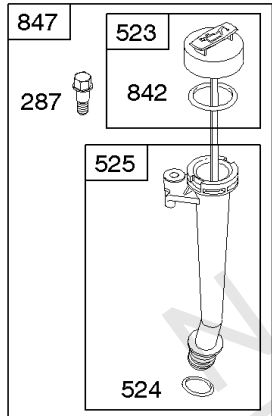
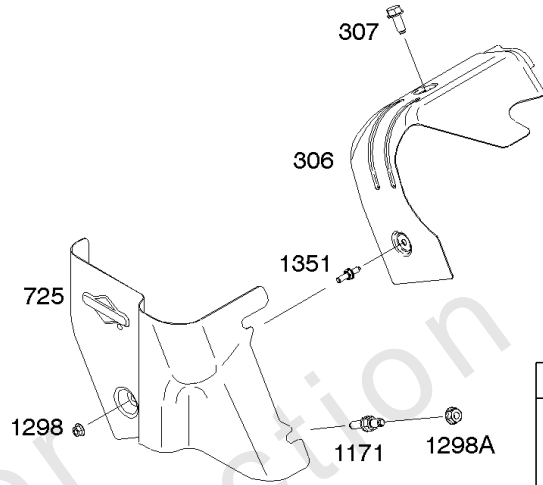
1058 OPERATOR'S MANUAL



1319 WARNING LABEL

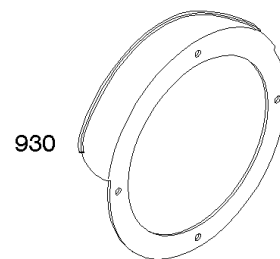
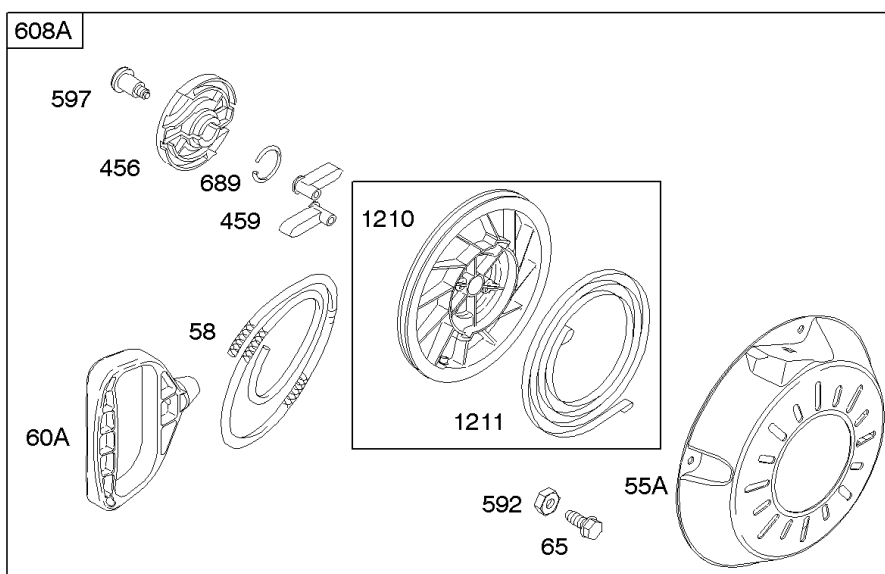
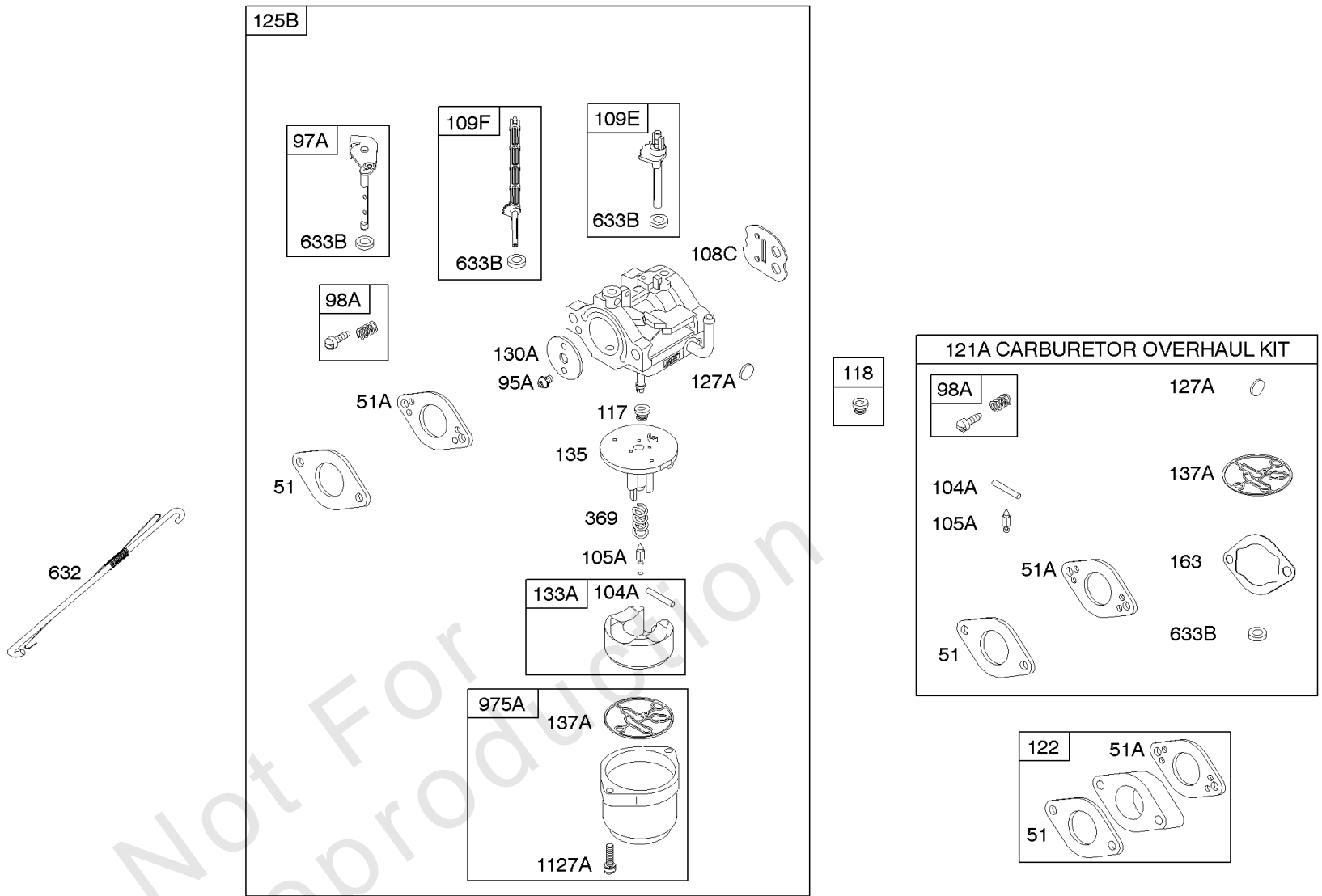
<b>WARNING</b>	
	Read and follow Operating Instructions before running engine.
	Gasoline is flammable. Allow engine to cool at least 2 minutes before refueling.
	Engines emit carbon monoxide, <b>DO NOT</b> run in enclosed area.
	Muffler area temperature may exceed 150°F. Do not touch hot parts.

**REQUIRED** when replacing parts with warning labels affixed.



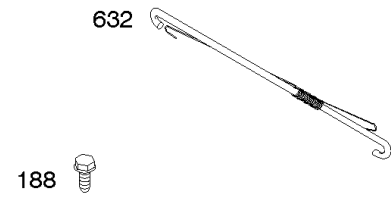
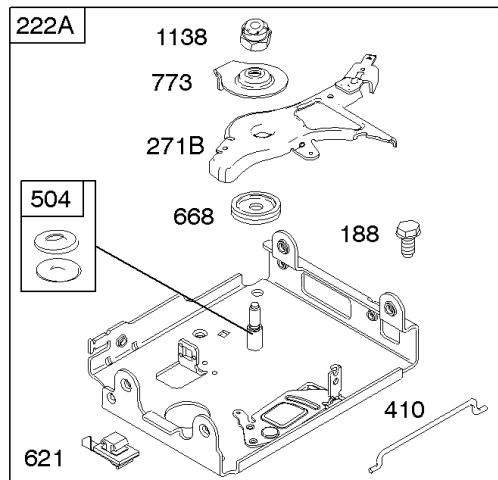
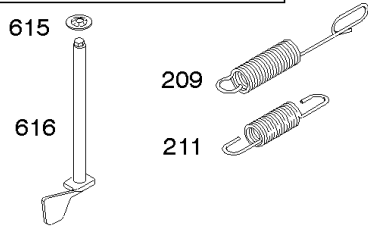
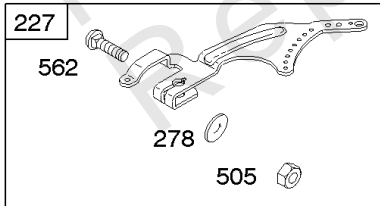
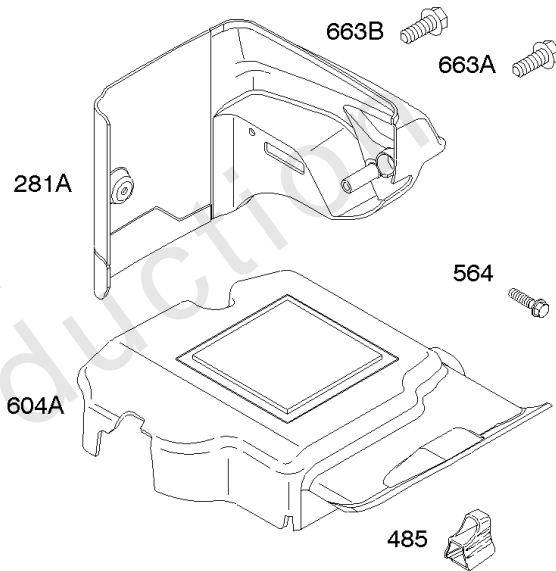
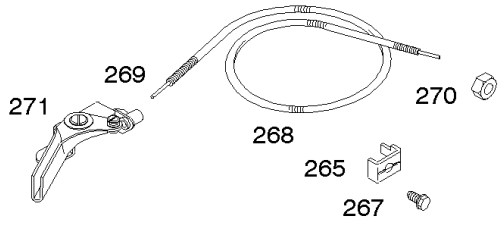
## ***Camshaft, Crankcase Cover, Crankshaft, Cylinder, Lubrication, Operator's Manual, Piston/***

<b>REF NO</b>	<b>PART NO</b>	<b>QTY</b>	<b>DESCRIPTION</b>
529	791822		GROMMET
552	694674		BUSHING, Governor Crank
718	690959		PIN, Locating -(Cylinder)
718A	695178		PIN, Locating -(Head)
725	696756		SHIELD, Heat
741	691288		GEAR, Timing
742	692564		RETAINER, E Ring
746	694679		GEAR, Idler
847	695342		DIPSTICK/TUBE ASSEMBLY
998	696683		PIPE, Oil
1058	277104TRI		MANUAL, Operator's
1171	696754		STUD -(Rocker Cover)
1194	691876		SEAL, O-Ring -(Plug)
1298	790026		NUT -(Shield-Heat)
1298A	696757		LOCKNUT -(Shield-Heat)
1319	794467		LABEL, Warning
1351	790017		STUD -(Cylinder Shield)



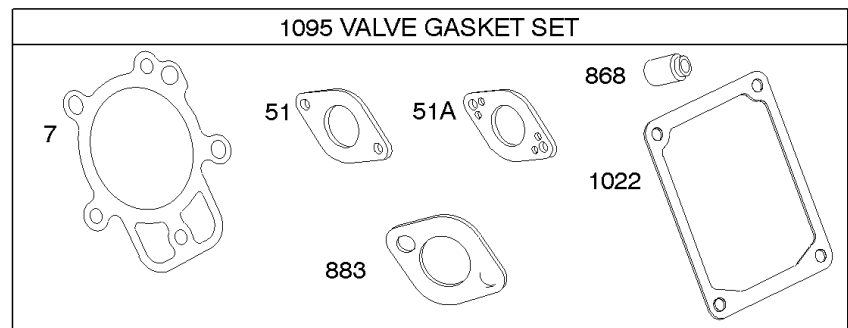
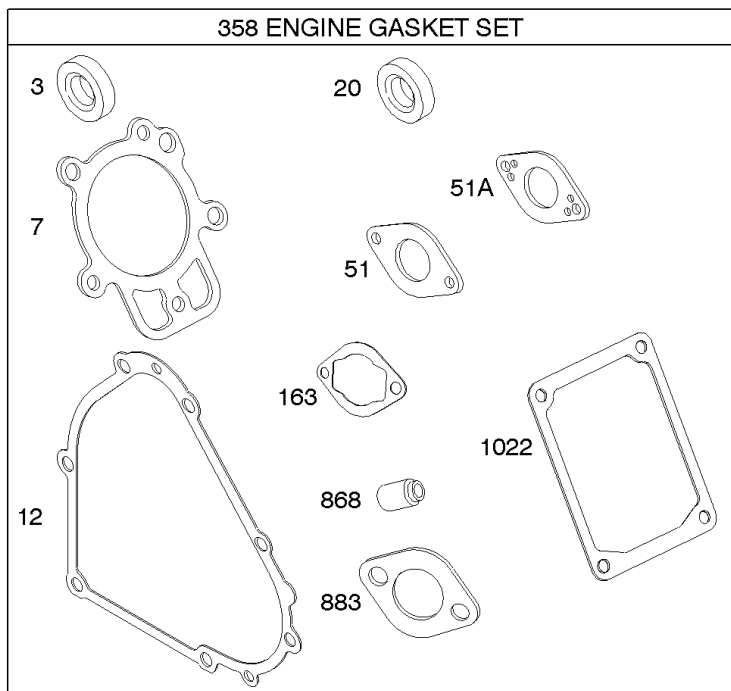
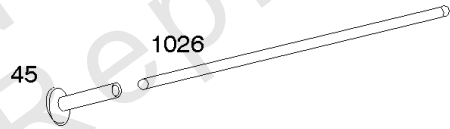
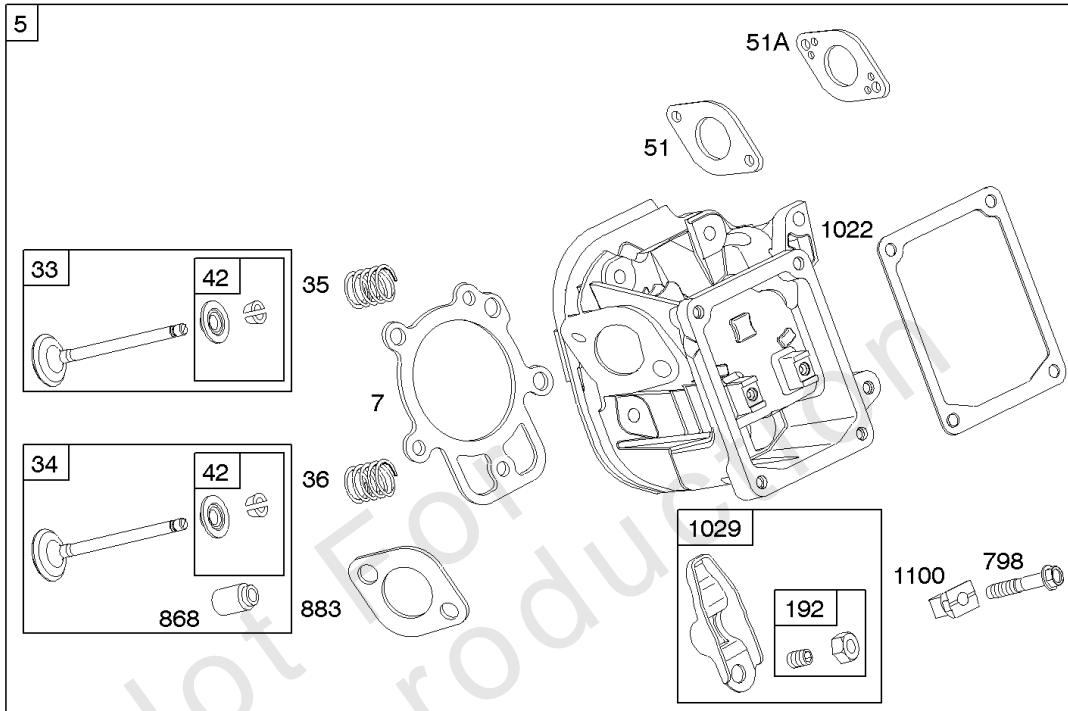
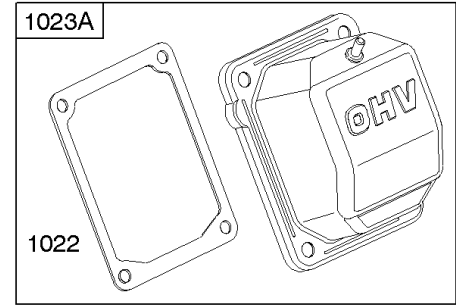
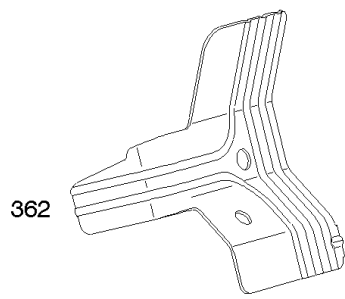
## Carburetor, Kit - Carburetor Overhaul, Rewind Starter

REF NO	PART NO	QTY	DESCRIPTION
51	694874		GASKET, Intake
51A	694875		GASKET, Intake
55A	696710		HOUSING, Rewind Starter
58	693389		ROPE, Starter -(Cut To Required Length)
60A	699334		GRIP, Starter Rope
65	697725		SCREW -(Rewind Starter)
95A	690718		SCREW -(Throttle Valve)
97A	696387		SHAFT, Throttle
98A	695408		KIT, Idle Speed
104A	694918		PIN, Float Hinge
105A	696136		VALVE, Float Needle
108C	696736		VALVE, Choke
109E	696735		SHAFT, Choke
109F	793162		SHAFT, Choke
117	696134		JET, Main -(Standard)
118	696135		JET, Main -(High Altitude)
121A	696146		KIT, Carburetor Overhaul
122	694876		SPACER, Carburetor
125B	794593		CARBURETOR
127A	690727		PLUG, Welch
130A	696139		VALVE, Throttle
133A	694914		FLOAT, Carburetor
135	696142		TUBE, Fuel Transfer
137A	695426		GASKET, Float Bowl
163	692277		GASKET-AIR CLEANER -(Air Cleaner)
369	695422		SPRING, Float Bowl
456	692299		PLATE-PAWL FRICTION
459	281505S		PAWL-RATCHET
592	690800		NUT -(Rewind Starter)
597	691696		SCREW -(Pawl Friction Plate)
608A	699335		STARTER-REWIND
632	695917		SPRING/LINK, Mechanical Governor
633B	690998		SEAL, Choke/Throttle Shaft -(1 3/4" Long)
689	691855		SPRING-FRICTION
930	696709		GUARD, Rewind
975A	696138		BOWL, Float
1127A	695407		SCREW -(Float Bowl) (Float Bowl to Carburetor Body)
1210	498144		PULLEY/SPRING ASSY -(Pulley)
1211	498144		PULLEY/SPRING ASSY -(Spring)



## Controls, Governor Spring

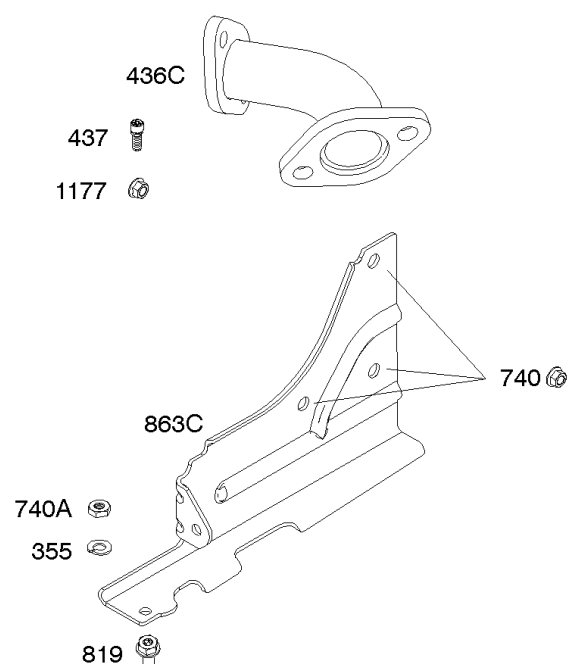
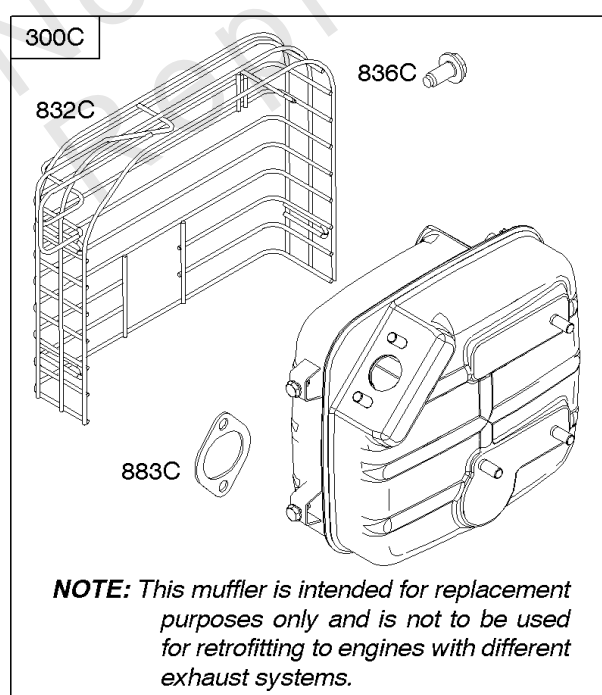
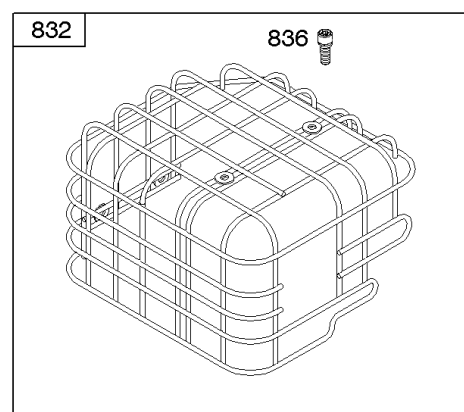
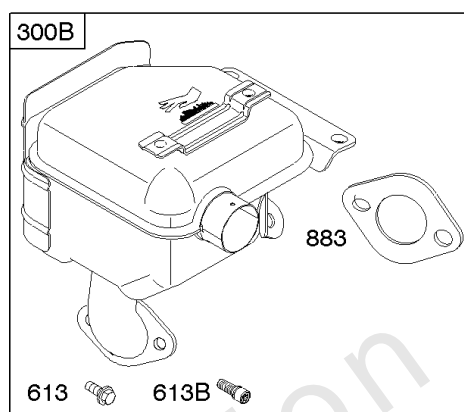
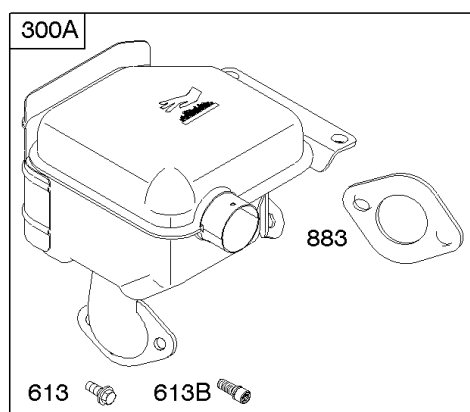
REF NO	PART NO	QTY	DESCRIPTION
188	690877		SCREW -(Control Bracket)
209	694867		SPRING, Governor
211	695307		SPRING, Governed Idle
222A	698034		BRACKET, Control
227	694864		LEVER, Governor Control
265	691024		CLAMP, Casing
267	692577		SCREW -(Casing Clamp)
268	691025		CASING, Control Wire -(Cut To Required Length)
269	691026		WIRE, Control -(Cut To Required Length)
270	691027		NUT -(Control Wire Casing)
271	696697		LEVER, Control
271B	698035		LEVER, Control
278	792008		WASHER -(Governor Lever)
281A	697400		PANEL, Control
410	695382		LINK, Control
485	695755		KNOB, Control
504	695383		SET, Friction Washer
505	691251		NUT -(Governor Control Lever)
562	793216		BOLT -(Governor Lever)
564	696692		SCREW -(Control Cover)
604A	696758		COVER, Control
615	694676		RETAINER, Governor Shaft
616	694675		CRANK, Governor
621	692310		SWITCH, Stop
632	695917		SPRING/LINK, Mechanical Governor
663A	696685		SCREW -(Control Panel)
663B	696704		SCREW -(Control Panel)
668	694257		SPACER -(Control Bracket)
773	694258		RETAINER
1138	694255		NUT -(Control Bracket)





## Cylinder Head, Gasket Set - Engine, Gasket Set - Valve, Valves

REF NO	PART NO	QTY	DESCRIPTION
3	391086S		SEAL, Oil -(Magneto Side)
5	793305		HEAD, Cylinder
7	694872		GASKET, Cylinder Head
12	694953		GASKET, Crankcase
13	690360		SCREW -(Cylinder Head)
20	391086S		SEAL, Oil -(PTO Side)
33	499596		VALVE, Exhaust
34	795199		VALVE, Intake
35	694865		SPRING, Valve -(Intake)
36	694865		SPRING, Valve -(Exhaust)
42	499586		KEEPER, Valve
45	690977		TAPPET, Valve
51	694874		GASKET, Intake
51A	694875		GASKET, Intake
163	692277		GASKET-AIR CLEANER -(Air Cleaner)
192	690083		ADJUSTER, Rocker Arm
337	491055S		PLUG, Spark
337	84007216		PLUG, SPARK -(China Only)
358	795201		GASKET SET, Engine
362	698041		SHIELD, Spark Plug
383	19374S		WRENCH, Spark Plug
635	691909		BOOT, Spark Plug
798	697890		SCREW -(Rocker Arm)
868	794086		SEAL, Valve
883	695398		GASKET, Exhaust
914	693732		SCREW -(Rocker Cover)
1022	690971		GASKET, Rocker Cover
1023A	698042		COVER, Rocker
1026	695177		ROD, Push
1029	690972		ARM, Rocker
1095	795200		GASKET SET, Valve
1100	791959		PIVOT, Rocker Arm
1171	696754		STUD -(Rocker Cover)
1275	696692		SCREW -(Rocker Cover)
1352	698111		KNOB, Snow Hood -(Spark Plug Shield)



## Exhaust System

REF NO	PART NO	QTY	DESCRIPTION
300B	794695		MUFFLER
300C	793701		MUFFLER
355	691075		WASHER -(Muffler Bracket)
436C	792374		MANIFOLD, Exhaust
437	696705		SCREW -(Exhaust Manifold)
613	695312		SCREW -(Muffler)
613B	696705		SCREW -(Muffler) (TORX HEAD)
740	710090		LOCKNUT -(Muffler Bracket)
740A	793859		NUT -(Muffler Bracket)
819	690352		SCREW -(Muffler Bracket)
832C	792380		MUFFLER
836C	710023		SCREW -(Muffler Guard)
863C	793700		BRACKET, Muffler
883	695398		GASKET, Exhaust
883C	710250		GASKET, Exhaust
1177	710090		LOCKNUT -(Muffler)

## Replacement Engine - US & Canada

REF NO	PART NO	QTY	DESCRIPTION
	21M3140017	1	Replacement Engine
	794910	1	Replacement Short Block
-----			Top No-Load Speed: 3600 -Trim: ALL
-----			Service Note: For all Go-Karts use only a Model 136200 series engine as a replacement, regardless of the original Model.
-----			Service Note: Transfer Flywheel and Alternator Assembly from original to replacement engine.

Not For Reproduction

