

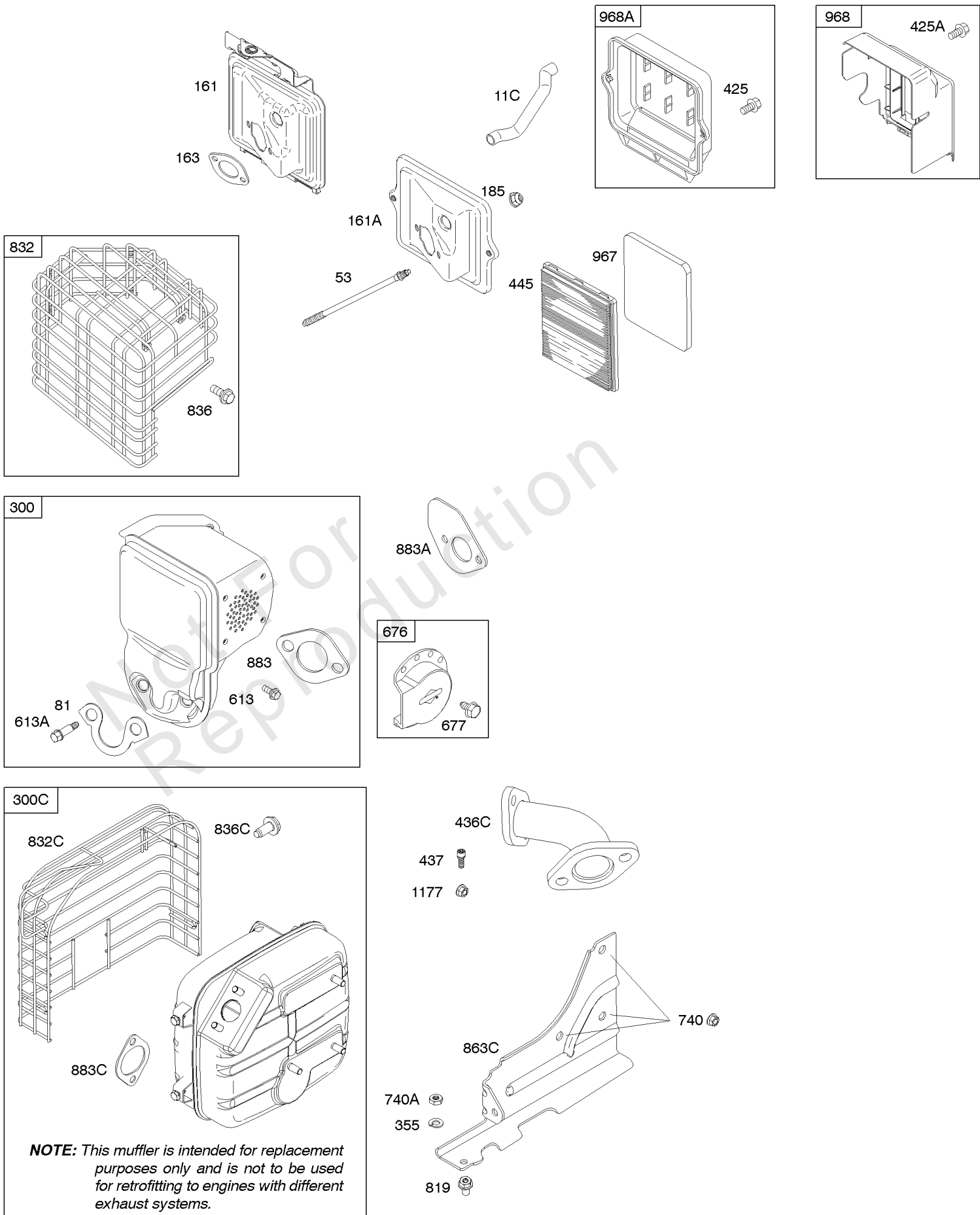


Parts Manual

Mfg. No: 204412-0147-E1



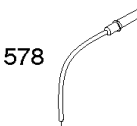
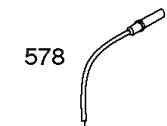

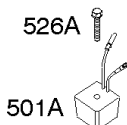
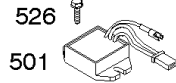
Model Components	Page
Air Cleaner, Exhaust System.....	4
Alternator, Ignition.....	6
Blower Housing/Shrouds, Flywheel, Rewind Starter.....	8
Camshaft, Crankcase Cover, Crankshaft, Cylinder, Lubrication, Operator's Manual, Piston/Rings/Connecting	10
Carburetor, Kit - Carburetor Overhaul.....	14
Controls, Governor Spring.....	18
Cylinder Head, Gasket Set - Engine, Gasket Set - Valve, Valves.....	20
Electric Starter, Fuel Supply.....	22
Replacement Engine - US & Canada.....	24

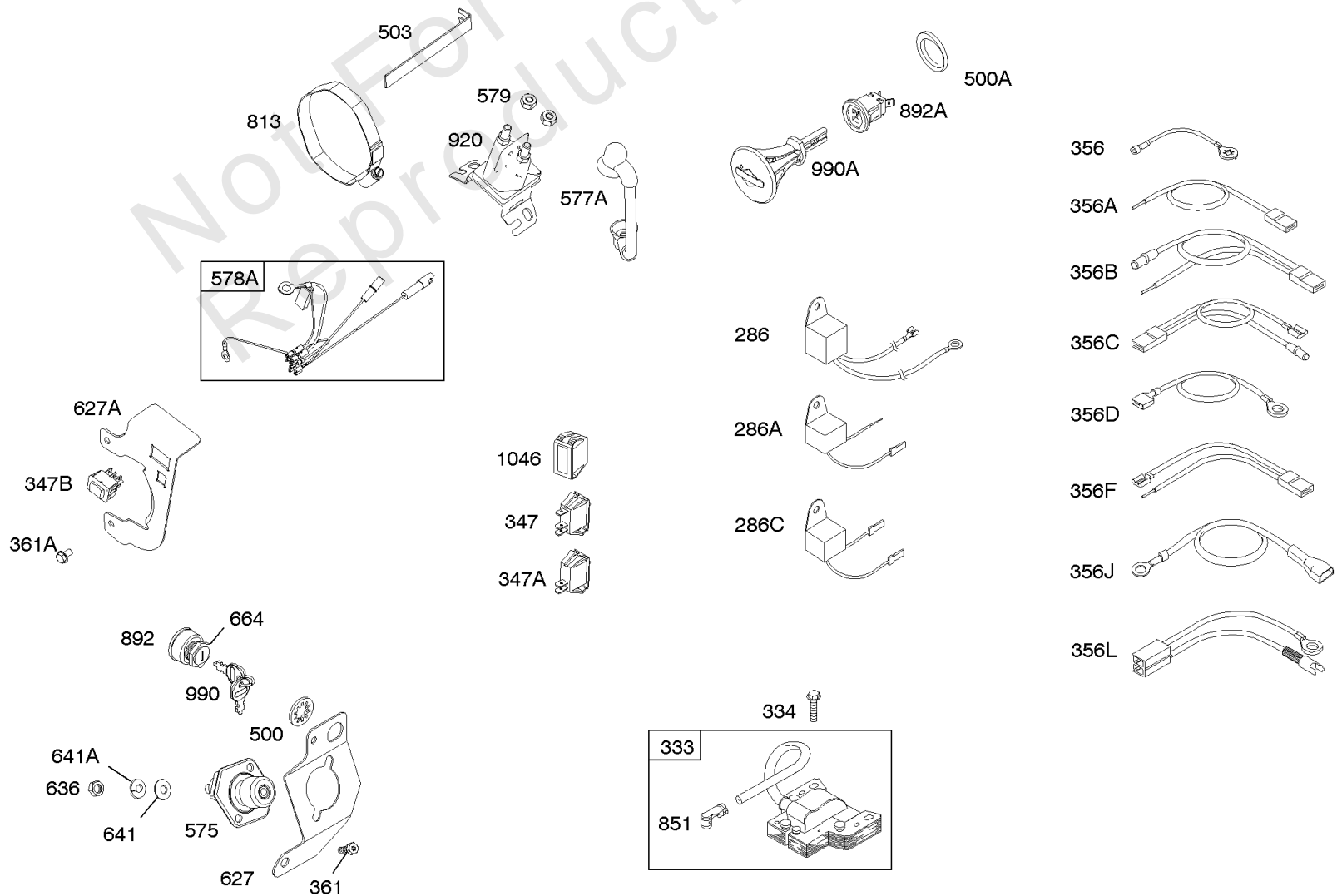
Not For
Reproduction



Air Cleaner, Exhaust System

REF NO	PART NO	QTY	DESCRIPTION
11C	696796		TUBE, Breather
53	694869		STUD -(Carburetor)
81	695400		LOCK, Muffler Screw
161A	699960		BASE, Air Cleaner -(Metal) -Used After Code Date 05020400
161A	694870		BASE, Air Cleaner -(Metal) -Used Before Code Date 04020500
163	692277		GASKET-AIR CLEANER -(Air Cleaner)
185	690958		NUT -(Air Cleaner Base)
300	697252		MUFFLER
300C	793701		MUFFLER
355	691075		WASHER -(Muffler Bracket)
425	694515		SCREW -(Air Cleaner Cover)
425A	790043		SCREW -(Air Cleaner Cover)
436C	792374		MANIFOLD, Exhaust
437	696705		SCREW -(Exhaust Manifold)
445	491588S		FILTER, A/C Cartridge
613	695312		SCREW -(Muffler)
613A	695399		SCREW -(Muffler)
676	393761		DEFLECTOR, Muffler -(Side Outlet)
677	690367		SCREW -(Muffler Deflector)
740	710090		LOCKNUT -(Muffler Bracket)
740A	793859		NUT -(Muffler Bracket)
819	690352		SCREW -(Muffler Bracket)
832	795035		GUARD, Muffler
832C	792380		MUFFLER
836	690367		SCREW -(Muffler Guard) -Used Before Code Date 01061100
836	695312		SCREW -(Muffler Guard) -Used After Code Date 01061000
836C	710023		SCREW -(Muffler Guard)
863C	793700		BRACKET, Muffler
883	695398		GASKET, Exhaust
883A	697255		GASKET, Exhaust
883C	710250		GASKET, Exhaust
967	491435S		FILTER, Pre Cleaner
968	790959		COVER, Air Cleaner
968A	692321		COVER, Air Cleaner
1177	710090		LOCKNUT -(Muffler)

	DC ONLY	10 - 16 AMP
	474A	474D
		
	578	578
		
<p>NOTE: All stators use a No. 1119 mounting screw. </p> <p>NOTE: The proper flywheel part number and/or the alternator magnet size will determine the alternator type or output. See repair instruction manual for additional information.</p>	<p>526A</p> <p>501A</p> 	<p>526</p> <p>501</p> 

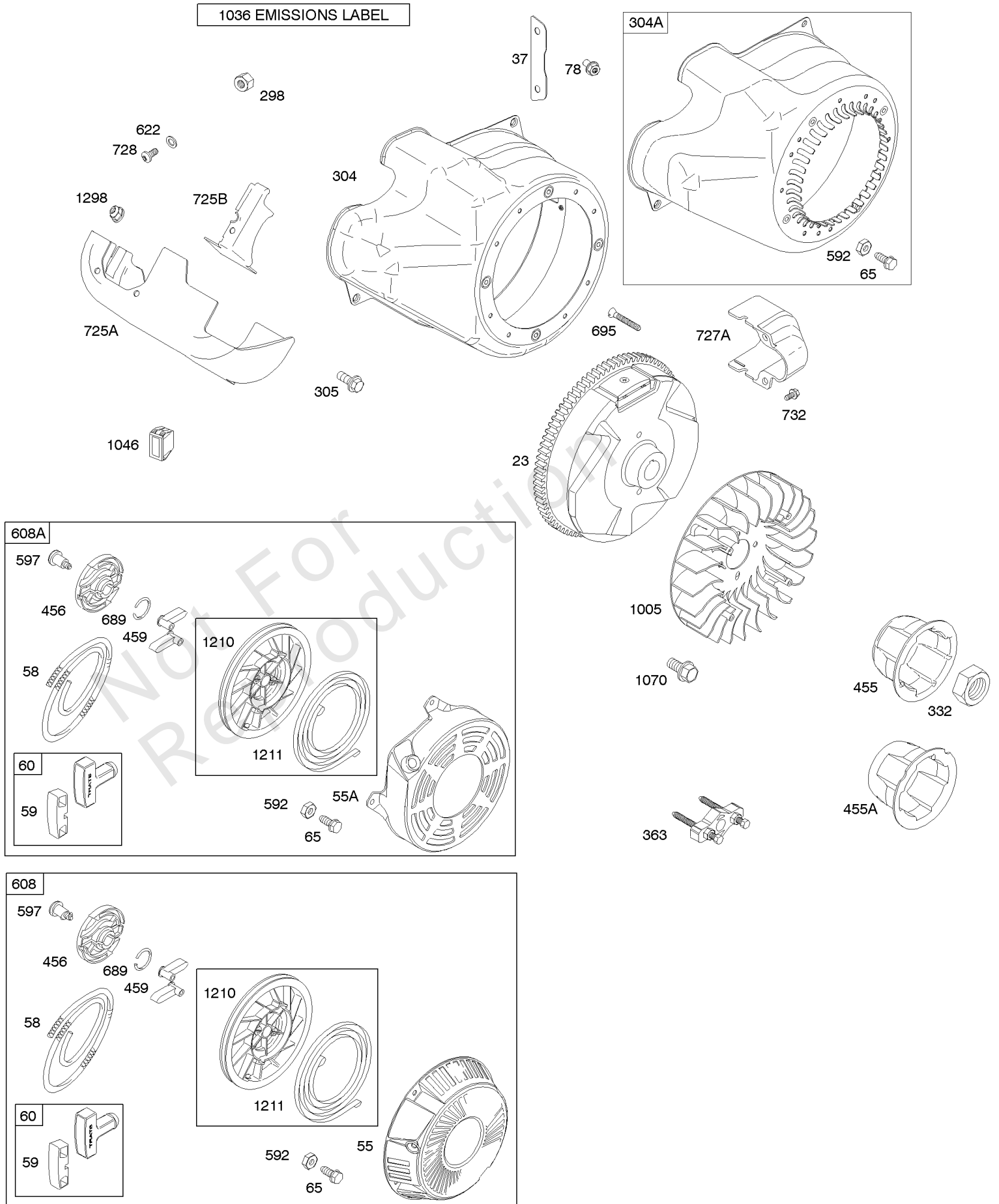


Alternator, Ignition

REF NO	PART NO	QTY	DESCRIPTION
286	695186		MODULE, Oil Sensor -Used Before Code Date 03010600
286C	699951		MODULE, Oil Sensor -Used After Code Date 03010500
333	492341		ARMATURE, Magneto
334	691061		SCREW -(Magneto Armature)
347A	697854		SWITCH, Rocker
356D	695366		WIRE, Stop -Used After Code Date 03010500 -Used Before Code Date 03072400
356J	699994		WIRE, Stop -Used After Code Date 03072300
361A	690297		SCREW -(Starting Switch)
500	691086		WASHER -(Key Switch)
500A	792613		WASHER -(Key Switch)
503	691532		STRAP, Starter
575	692303		SWITCH-STARTING
577A	690795		CABLE, Starter
578	692306		WIRE ASSEMBLY -(1 Wire, 48-1/2" Long)(Snap Connect Female Pin Socket, And Bare WireEnd)
578A	790948		WIRE ASSEMBLY
579	691029		NUT -(Starter Cable)
627	696064		BRACKET, Stopswitch
627A	792608		BRACKET, Stopswitch
636	696198		NUT -(Starting Switch)
641	691075		WASHER -(Starting Switch)
641A	690282		WASHER -(Starting Switch)
664	691087		NUT -(Key Switch)
813	690635		CLAMP
851	692424		TERMINAL, Spark Plug
892	392833		SWITCH, Key
892A	791944		SWITCH, Key
920	691656		SOLENOID, Starter
990	691959		SET, Key
990A	695756		SET, Key
1119	691058		SCREW -(Alternator)

Blower Housing/Shrouds, Flywheel, Rewind Starter

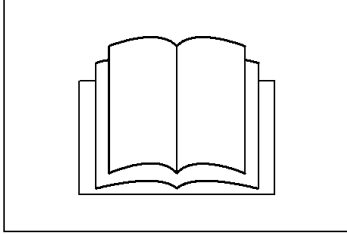
Mfg. No: 204412-0147-E1



Blower Housing/Shrouds, Flywheel, Rewind Starter

REF NO	PART NO	QTY	DESCRIPTION
23	794814		FLYWHEEL
37	790730		GUARD, Flywheel
55	695288		HOUSING-REWIND STR
55A	691421		HOUSING, Rewind Starter
58	693389		ROPE, Starter -(Cut To Required Length)
59	805957		INSERT, Grip
60	490652		GRIP-STARTER ROPE
65	690837		SCREW -(Rewind Starter)
78	690372		SCREW -(Flywheel Guard)
298	698838		LOCKNUT -(Muffler and Elbow)
304	791478		HOUSING, Blower
305	691125		SCREW -(Blower Housing)
332	694685		NUT -(Flywheel)
363	19203		PULLER, Flywheel
455	694683		CUP, Flywheel
456	692299		PLATE-PAWL FRICTION
459	281505S		PAWL-RATCHET
592	690800		NUT -(Rewind Starter)
597	691696		SCREW -(Pawl Friction Plate)
608	695287		STARTER-REWIND
608A	497680		STARTER, Rewind
622	698839		WASHER -(Heat Shield)
689	691855		SPRING-FRICTION
695	698807		SCREW -(Ring Gear)
725A	698836		SHIELD, Heat
725B	698837		SHIELD, Heat
727A	697465		COVER, Starter Drive
728	696763		SCREW -(Heat Shield)
732	691097		SCREW -(Starter Drive Cover)
1005	694684		FAN, Flywheel
1036	-----		Label-Emissions -(Available From A Briggs & Stratton Authorized Dealer)
1070	691183		SCREW -(Flywheel Fan)
1210	498144		PULLEY/SPRING ASSY -(Pulley)
1211	498144		PULLEY/SPRING ASSY -(Spring)
1298	696757		LOCKNUT -(Shield-Heat)

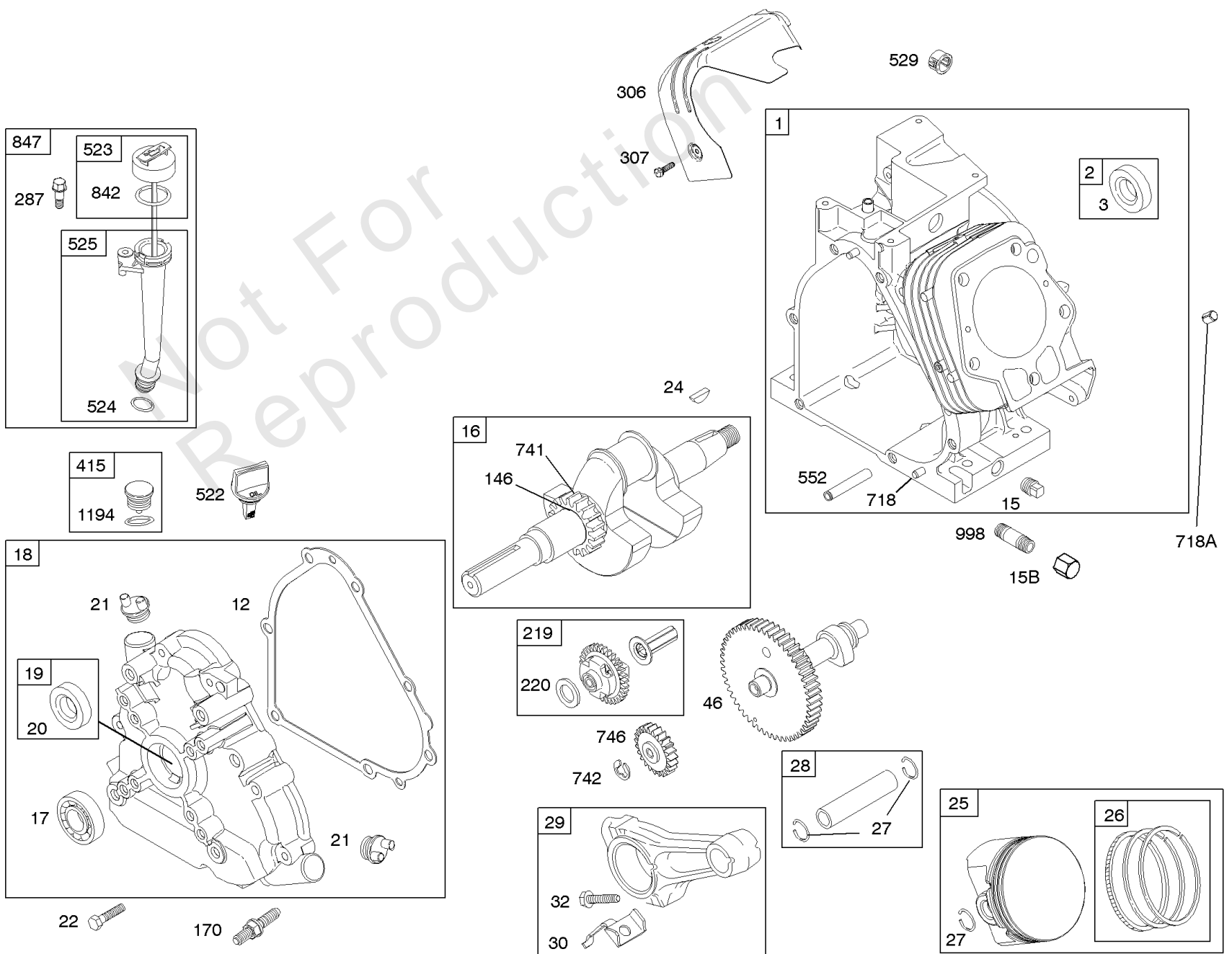
1058 OPERATOR'S MANUAL



1319 WARNING LABEL

WARNING	
	Read and follow Operating Instructions before running engine.
	Gasoline is flammable. Allow engine to cool at least 2 minutes before refueling.
	Engines emit carbon monoxide, DO NOT run in enclosed area.
	Muffler area temperature may exceed 150°F. Do not touch hot parts.

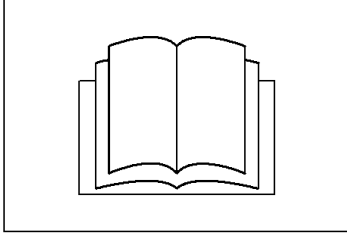
REQUIRED when replacing parts with warning labels affixed.



Camshaft, Crankcase Cover, Crankshaft, Cylinder, Lubrication, Operator's Manual, Piston/

REF NO	PART NO	QTY	DESCRIPTION
1	794849		CYLINDER ASSEMBLY
2	698340		KIT, Bushing/Seal -(Magneto Side)
3	391086S		SEAL, Oil -(Magneto Side)
12	694953		GASKET, Crankcase
15	691686		PLUG-OIL DRAIN -(Square Head)
16	694678		CRANKSHAFT
17	695434		BEARING, Ball
18	791965		COVER, Crankcase
19	698340		KIT, Bushing/Seal -(PTO Side)
20	391086S		SEAL, Oil -(PTO Side)
21	281658S		CAP-OIL FILL
22	695174		SCREW -(Crankcase Cover/Sump)
24	222698S		KEY, Flywheel
25	792117		PISTON ASSEMBLY -(Standard)
25	792144		PISTON ASSEMBLY -(.020 Oversize)
26	792073		SET, Ring -(.020 Oversize) -Used After Code Date 05080900
26	792026		SET, Ring -(Standard) -Used After Code Date 05080900
26	694004		SET, Ring -(Standard) -Used Before Code Date 05081000
26	694008		SET, Ring -(.020 Oversize) -Used Before Code Date 05081000
27	690975		LOCK, Piston Pin
28	696581		PIN, Piston -(Standard)
29	694691		ROD, Connecting
30	694692		DIPPER, Connecting Rod
32	690976		SCREW -(Connecting Rod)
46	790958		CAMSHAFT
146	690979		KEY, Woodruff
170	695296		STUD -(Crankcase Cover/Sump)
219	693578		GEAR, Governor
220	691724		WASHER -(Governor Gear)
287	691693		SCREW -(Dipstick Tube)
306	697240		SHIELD, Cylinder -Used After Code Date 01102800
306	696698		SHIELD, Cylinder -Used Before Code Date 01102900
307	691108		SCREW -(Cylinder Shield)
307	691660		SCREW -(Cylinder Shield)

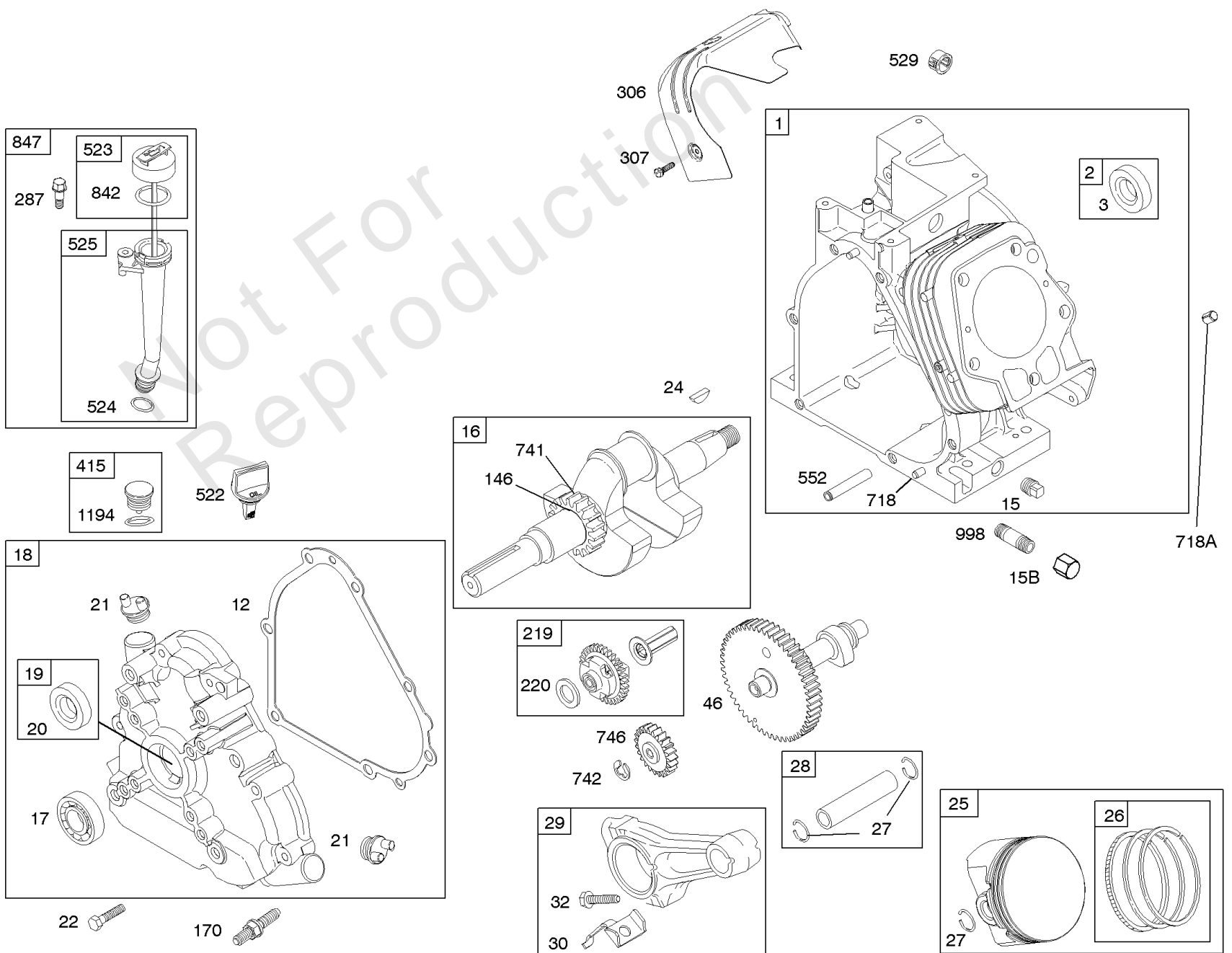
1058 OPERATOR'S MANUAL



1319 WARNING LABEL

WARNING	
	Read and follow Operating Instructions before running engine.
	Gasoline is flammable. Allow engine to cool at least 2 minutes before refueling.
	Engines emit carbon monoxide, DO NOT run in enclosed area.
	Muffler area temperature may exceed 150°F. Do not touch hot parts.

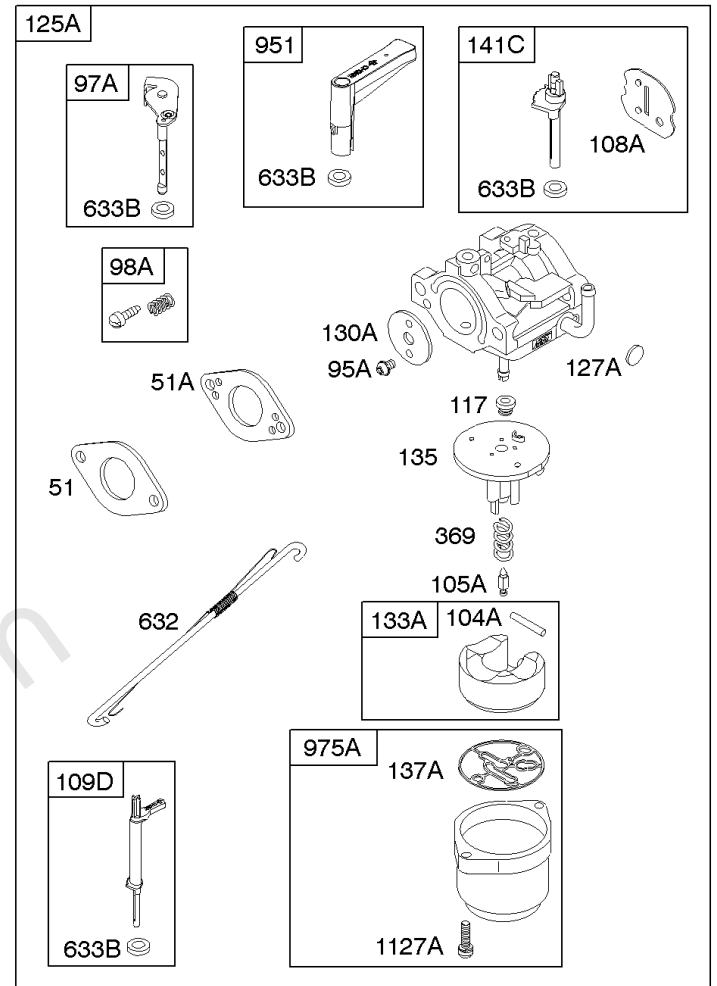
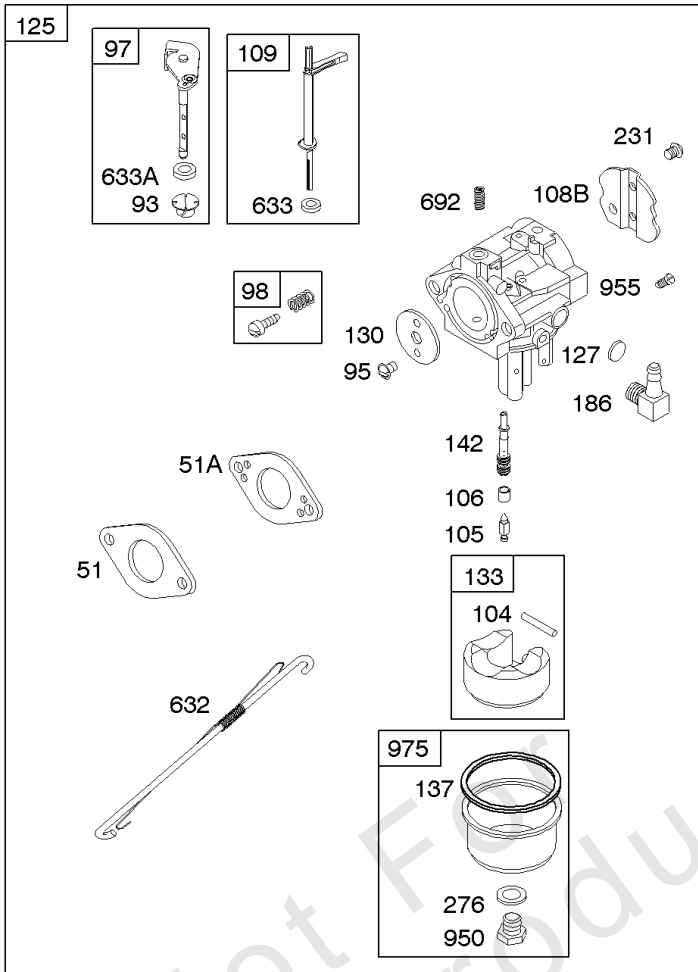
REQUIRED when replacing parts with warning labels affixed.



Camshaft, Crankcase Cover, Crankshaft, Cylinder, Lubrication, Operator's Manual, Piston/

REF NO	PART NO	QTY	DESCRIPTION
415	691363		PLUG
523	695344		DIPSTICK
524	691876		SEAL, O-Ring
525	695343		TUBE, Dipstick
529	791822		GROMMET
552	694674		BUSHING, Governor Crank
718	690959		PIN, Locating
718A	695178		PIN, Locating -(Head)
741	691288		GEAR, Timing
742	692564		RETAINER, E Ring
746	694679		GEAR, Idler
842	691031		SEAL, O-Ring -(Dipstick Tube)
847	695342		DIPSTICK/TUBE ASSEMBLY
998	696683		PIPE, Oil
1058	277040		MANUAL, Operator's
1194	691876		SEAL, O-Ring -(Plug)
1319	794467		LABEL, Warning

GHOSTED PARTS ARE NOT SERVICEABLE
AND ARE SHOWN FOR REFERENCE ONLY.



WALBRO CARBURETOR
977 CARBURETOR GASKET SET

93, 51A, 137, 276, 633, 633A, 51, 163

121 CARBURETOR OVERHAUL KIT

93, 98, 104, 105, 106, 51A, 51, 127, 137, 163, 276, 633, 633A, 955

143, 109E, 633B, 141A, 231A, 108B, 633B

141, 108A, 633B

NIKKI CARBURETOR
121A CARBURETOR OVERHAUL KIT

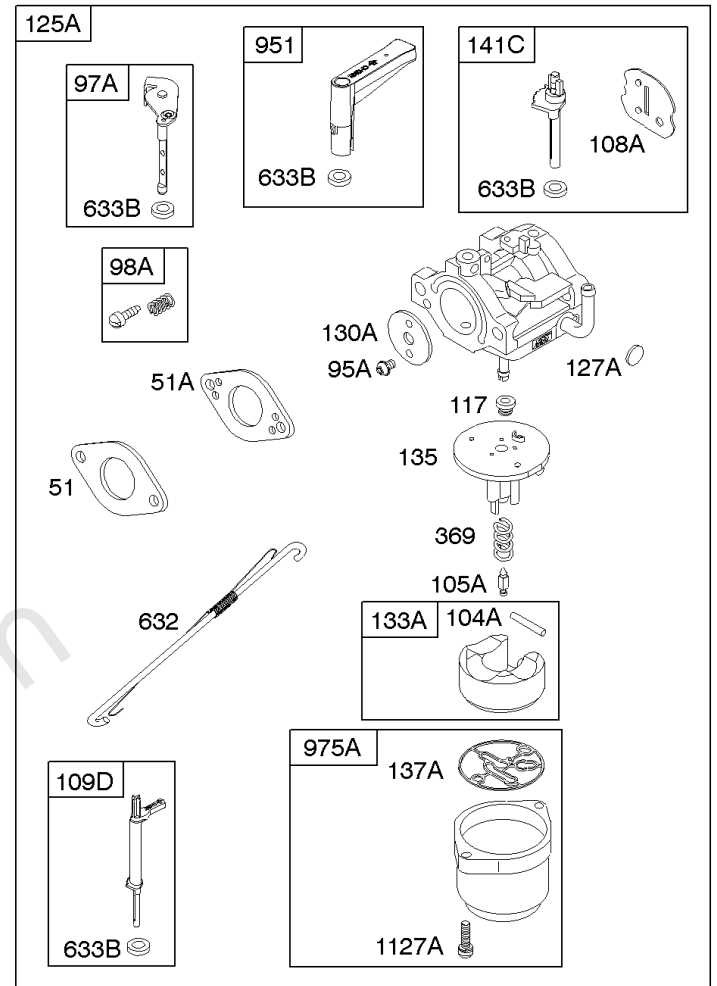
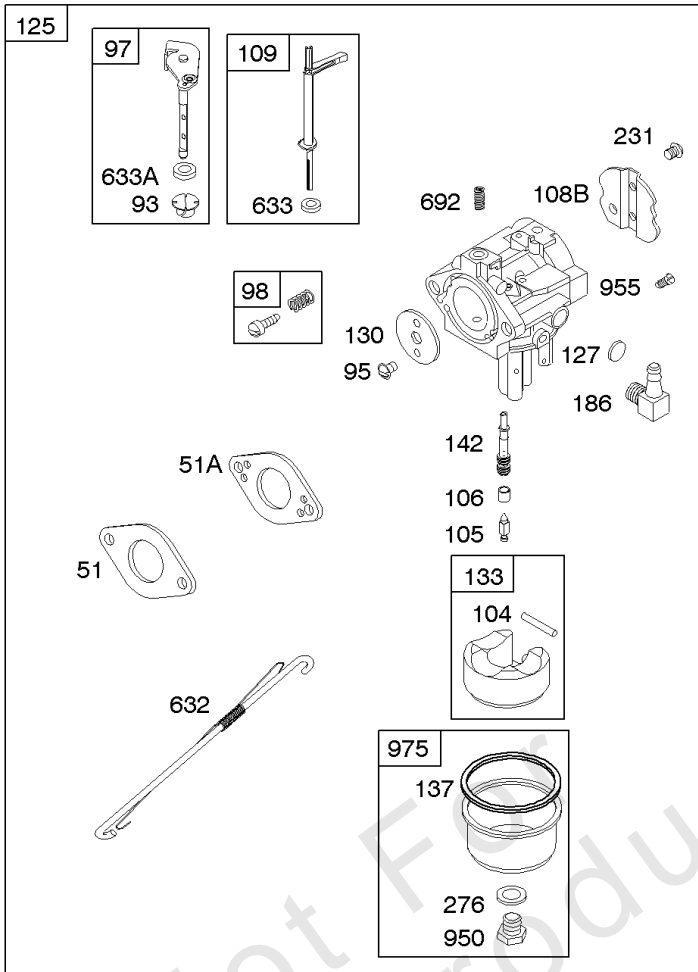
98A, 104A, 105A, 51A, 51, 127A, 137A, 163, 633B

122, 51A, 51

Carburetor, Kit - Carburetor Overhaul

REF NO	PART NO	QTY	DESCRIPTION
51	694874		GASKET, Intake
51A	694875		GASKET, Intake
93	690602		BUSHING, Throttle Shaft
95	691636		SCREW -(Throttle Valve)
95A	690718		SCREW -(Throttle Valve)
97	695325		SHAFT, Throttle
97A	696387		SHAFT, Throttle
98	495800		KIT, Idle Speed -(Idle Speed) (Lmt 54, 55, 91)
98A	695408		KIT, Idle Speed
104	690525		PIN, Float Hinge
104A	694918		PIN, Float Hinge
105	691782		VALVE, Float Needle
105A	696136		VALVE, Float Needle
106	690577		SEAT, Inlet
108B	696209		VALVE, Choke -Used Before Code Date 04020500
109	695331		SHAFT, Choke
109D	790149		SHAFT, Choke
109E	696735		SHAFT, Choke
109G	790077		SHAFT, Choke
117	696134		JET, Main -(Standard)
118	696135		JET, Main -(High Altitude)
121	695441		KIT, Carburetor Overhaul -(Walbro)
121A	696146		KIT, Carburetor Overhaul -(Nikki)
122	694876		SPACER, Carburetor
125	-----		Carburetor -(To Service Complete Carburetor, See Reference Number 125A)
125A	699966		CARBURETOR
127	694524		PLUG, Welch
127A	690727		PLUG, Welch
130	690468		VALVE, Throttle
130A	696139		VALVE, Throttle
133	494381		FLOAT, Carburetor
133A	694914		FLOAT, Carburetor
135	696142		TUBE, Fuel Transfer
137	281165S		GASKET, Float Bowl
137A	695426		GASKET, Float Bowl
141	696145		KIT, Choke Shaft
141A	698457		KIT, Choke Shaft
141C	699979		KIT, Choke Shaft
142	695528		NOZZLE, Carburetor -(Standard)
143	695529		NOZZLE, Carburetor -(High Altitude)
163	692277		GASKET-AIR CLEANER -(Air Cleaner)
186	692317		CONNECTOR-HOSE
231	691636		SCREW -(Choke Valve)

GHOSTED PARTS ARE NOT SERVICEABLE
AND ARE SHOWN FOR REFERENCE ONLY.



WALBRO CARBURETOR
977 CARBURETOR GASKET SET

93 51A 137 276 633 633A
51 163

121 CARBURETOR OVERHAUL KIT

93 51A 276 633 633A 955
98 51 633
104 127 633A
105 137 163

143 109E 633B
141A 231A 108B 633B

141 108A 633B

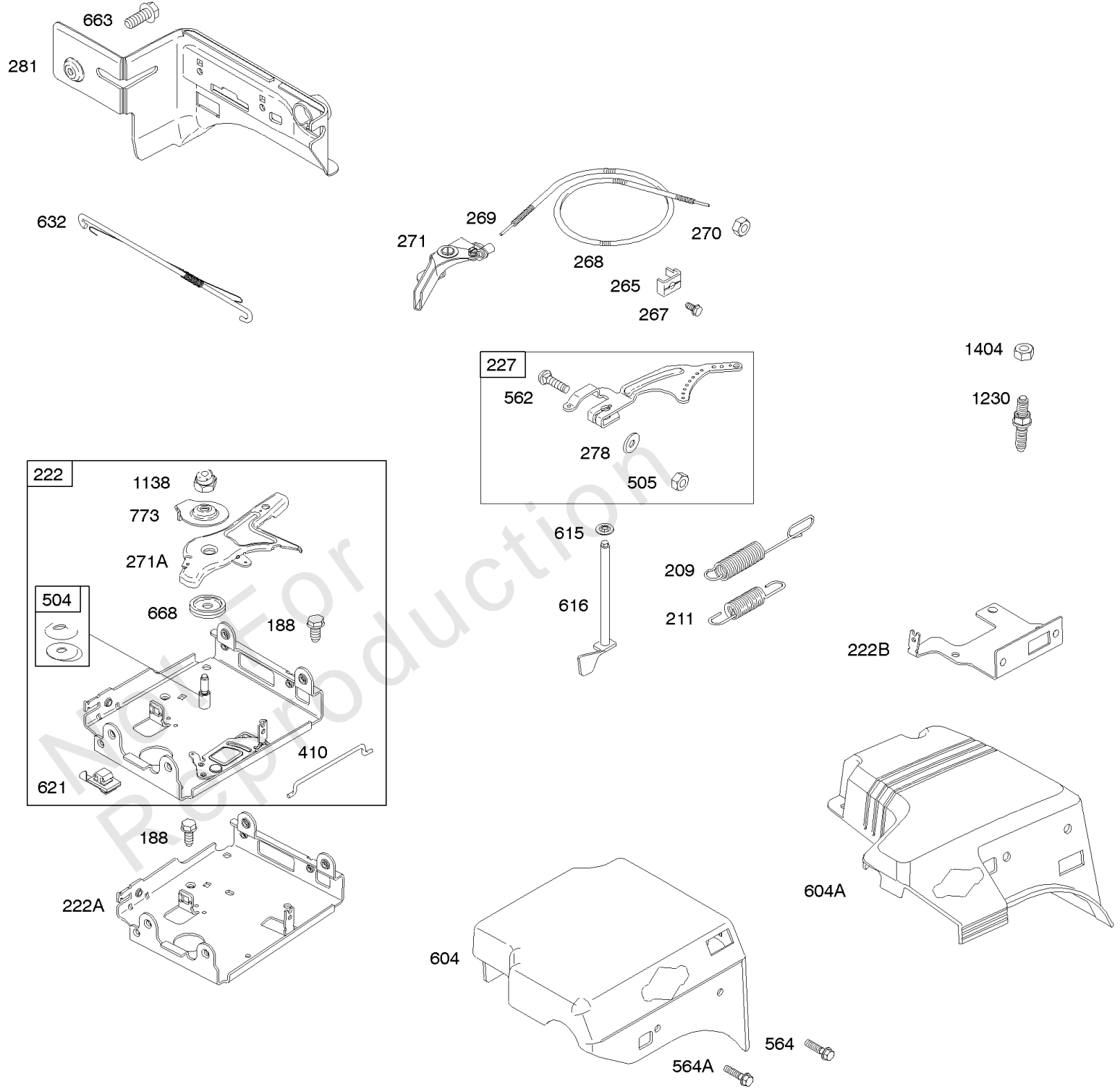
NIKKI CARBURETOR
121A CARBURETOR OVERHAUL KIT

98A 127A 104A 137A 105A 163 51A 633B
51

122 51A 51

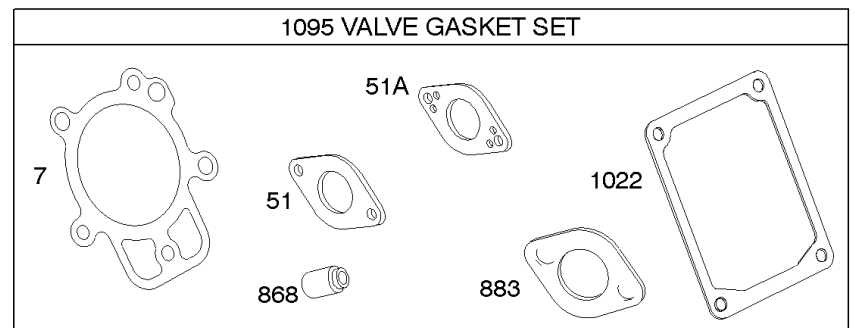
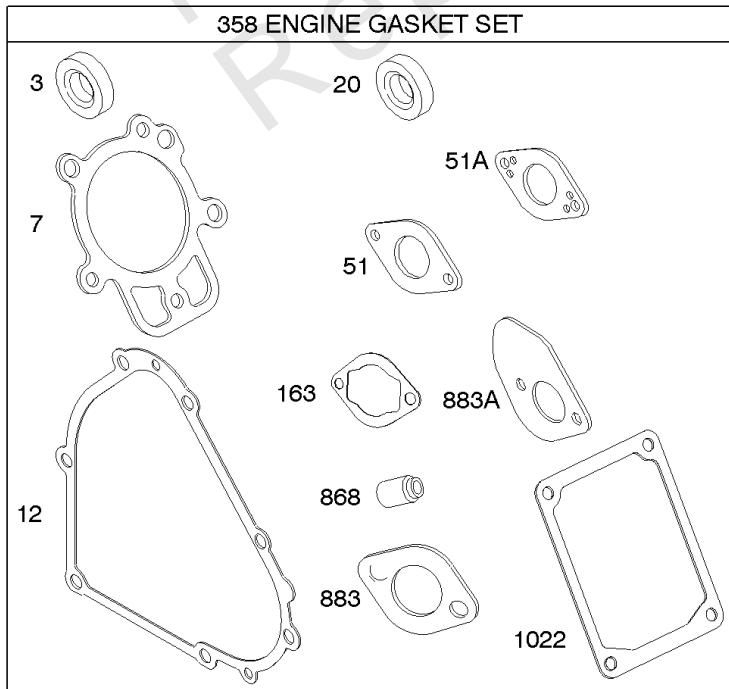
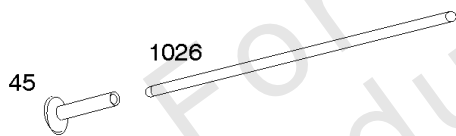
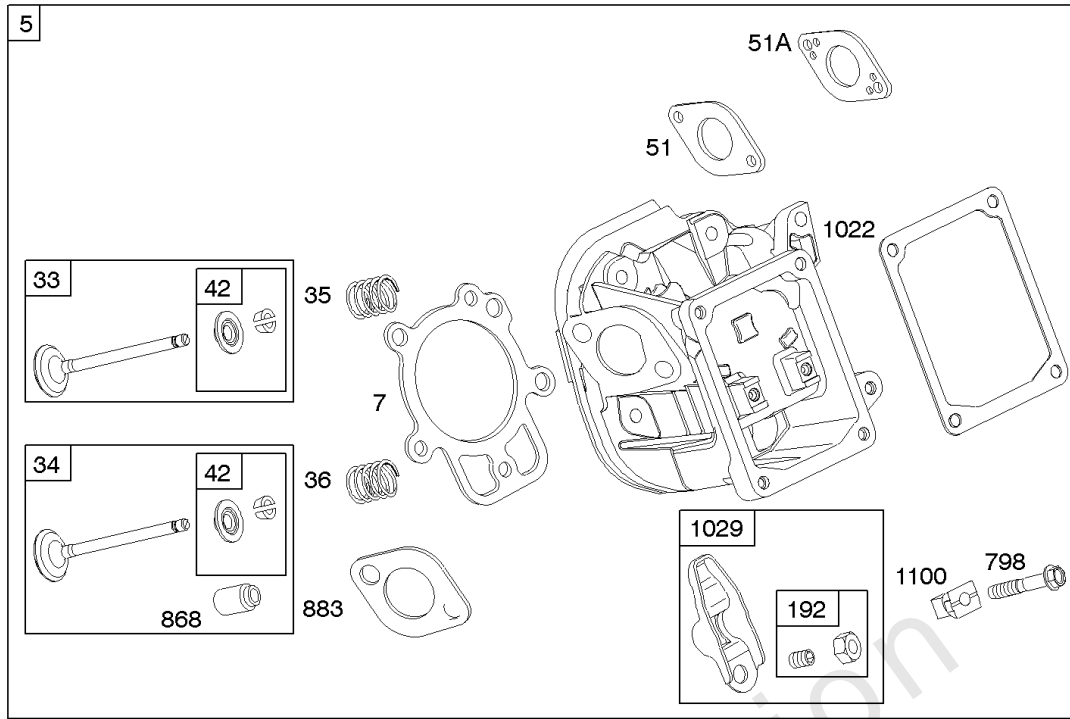
Carburetor, Kit - Carburetor Overhaul

REF NO	PART NO	QTY	DESCRIPTION
231A	690718		SCREW -(Choke Valve)
276	692255		WASHER, Sealing
369	695422		SPRING, Float Bowl
632	694868		SPRING/LINK, Mechanical Governor -(Walbro)
632	695917		SPRING/LINK, Mechanical Governor -(Nikki)
633	690597		SEAL, Choke/Throttle Shaft
633A	691326		SEAL, Choke/Throttle Shaft
633B	690998		SEAL, Choke/Throttle Shaft
692	691301		SPRING, Detent
950	695407		SCREW -(Float Bowl)
951	699961		LEVER, Choke
955	695659		PLUG, Carburetor
975	495933		BOWL, Float -(Float Bowl)
975A	696138		BOWL, Float
977	695439		SET, Carburetor Gasket -(Walbro)
1127A	695407		SCREW -(Float Bowl) (Float Bowl to Carburetor Body)



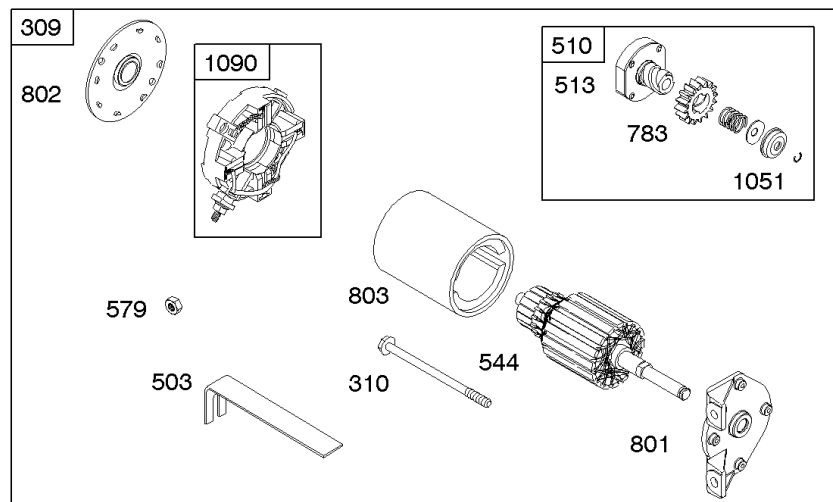
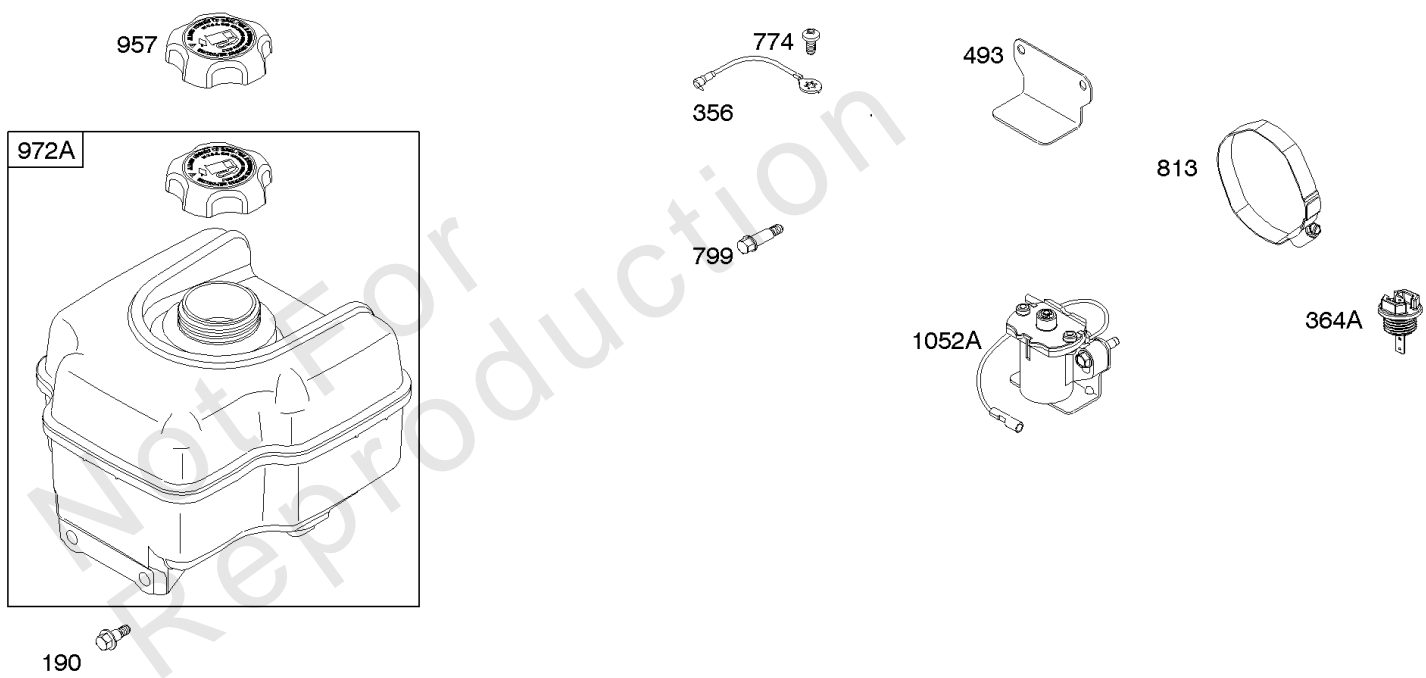
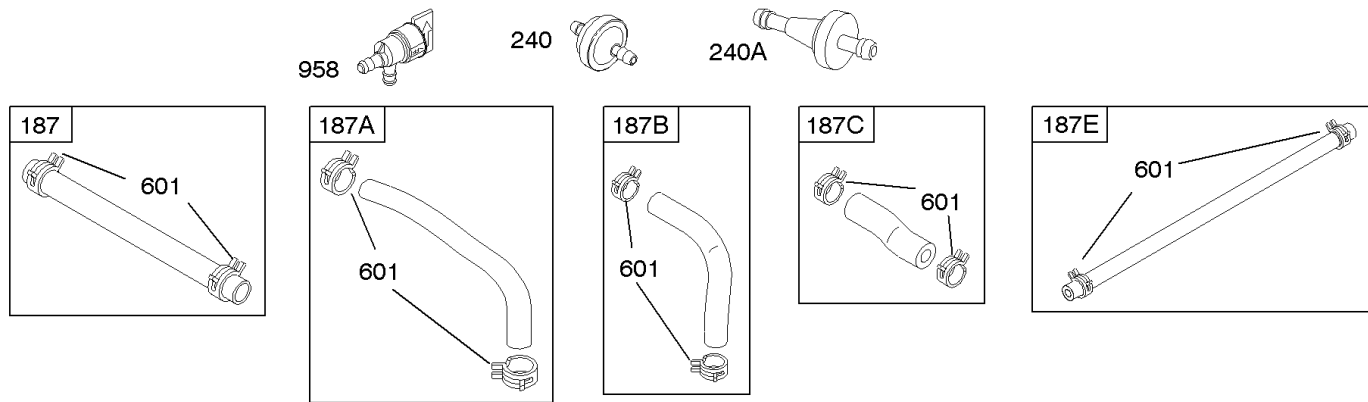
Controls, Governor Spring

REF NO	PART NO	QTY	DESCRIPTION
188	690877		SCREW -(Control Bracket)
209	694867		SPRING, Governor
211	695307		SPRING, Governed Idle
222A	694866		BRACKET, Control
227	694864		LEVER, Governor Control
265	691024		CLAMP, Casing
267	692577		SCREW -(Casing Clamp)
268	691025		CASING, Control Wire -(Cut To Required Length)
269	691026		WIRE, Control -(Cut To Required Length)
270	691027		NUT -(Control Wire Casing)
271	691028		LEVER, Control
271A	695381		LEVER, Control
278	792008		WASHER -(Governor Lever)
281	697268		PANEL, Control -Used After Code Date 01102800
281	695294		PANEL, Control -Used Before Code Date 01102900
410	695382		LINK, Control
504	695383		SET, Friction Washer
505	691251		NUT -(Governor Control Lever)
562	691119		BOLT -(Governor Control Lever)
564	692577		SCREW -(Control Cover)
564A	692198		SCREW -(Control Cover)
604	697326		COVER-CONTROL -Used Before Code Date 05071800
604A	791752		COVER, Control -Used After Code Date 05071700
615	694676		RETAINER, Governor Shaft
616	694675		CRANK, Governor
621	692310		SWITCH, Stop
632	695917		SPRING/LINK, Mechanical Governor -(Nikki)
632	694868		SPRING/LINK, Mechanical Governor -(Walbro)
663	692577		SCREW -(Control Panel)
668	694257		SPACER -(Control Bracket)
773	694258		RETAINER
1138	694255		NUT -(Control Bracket)
1230	791754		STUD -(Control Bracket)
1404	696757		LOCKNUT -(Control Cover)



Cylinder Head, Gasket Set - Engine, Gasket Set - Valve, Valves

REF NO	PART NO	QTY	DESCRIPTION
3	391086S		SEAL, Oil -(Magneto Side)
5	793009		HEAD, Cylinder
7	694872		GASKET, Cylinder Head
12	694953		GASKET, Crankcase
13	690360		SCREW -(Cylinder Head)
20	391086S		SEAL, Oil -(PTO Side)
33	499596		VALVE, Exhaust
34	792200		VALVE, Intake
35	694865		SPRING, Valve -(Intake)
36	694865		SPRING, Valve -(Exhaust)
42	499586		KEEPER, Valve
45	690977		TAPPET, Valve
51	694874		GASKET, Intake
51A	694875		GASKET, Intake
163	692277		GASKET-AIR CLEANER -(Air Cleaner)
192	690083		ADJUSTER, Rocker Arm
337	491055S		PLUG, Spark
337	84007216		PLUG, SPARK -(China Only)
358	695438		GASKET SET, Engine
383	19374S		WRENCH, Spark Plug
635	691909		BOOT, Spark Plug
798	697890		SCREW -(Rocker Arm)
868	690968		SEAL, Valve
883	695398		GASKET, Exhaust
883A	697255		GASKET, Exhaust
914	693732		SCREW -(Rocker Cover)
1022	690971		GASKET, Rocker Cover
1023	697691		COVER, Rocker
1026	695177		ROD, Push
1029	690972		ARM, Rocker
1095	695440		GASKET SET, Valve
1100	791959		PIVOT, Rocker Arm
1171	696754		STUD -(Rocker Cover)



Electric Starter, Fuel Supply

REF NO	PART NO	QTY	DESCRIPTION
187	791766		LINE, Fuel -(15" Long)(Cut to Required Length)
187A	695429		LINE, Fuel -Used Before Code Date 05070100
187A	791869		LINE, Fuel -Used After Code Date 05063000
187B	791834		LINE, Fuel -Used After Code Date 05063000
187C	791871		LINE, Fuel -Used After Code Date 05063000
187B	695482		LINE, Fuel -Used Before Code Date 05070100
187C	695483		LINE, Fuel -Used Before Code Date 05070100
187E	791745		LINE, Fuel -(23 Inches)(Cut To Required Length)
190	692127		SCREW -(Fuel Tank)
240	298090S		FILTER, Fuel
309	695479		MOTOR, Starter
310	690323		SCREW -(Starter Motor)
364A	699947		TERMINAL, Oil Plug
493	694861		BRACKET, Mounting
503	691532		STRAP, Starter
510	693699		DRIVE, Starter
513	692024		CLUTCH, Drive
544	692034		ARMATURE, Starter -(3 5/8 Housing)
579	691029		NUT -(Starter Cable)
601	791850		CLAMP, Hose
697	690372		SCREW -(Drive Cap)
774	695447		SCREW -(Stop Wire)
783	693713		GEAR, Pinion
799	695446		SCREW -(Oil Sensor)
801	694482		CAP-DRIVE
802	691286		CAP, End
803	-----		Housing-Starter -(Not Serviced Separately, Order Starter Motor 695479)
813	690635		CLAMP
957	792647		CAP, Fuel Tank -(Plastic)
958	698180		VALVE-FUEL SHUT OFF -(Plastic)
972A	694260		TANK, Fuel -(Plastic)
1051	691265		RING, Retaining
1052A	791159		SENSOR, Oil
1090	691293		RETAINER, Brush

Replacement Engine - US & Canada

REF NO	PART NO	QTY	DESCRIPTION
	20S2320038	1	Replacement Engine
	794907	1	Replacement Short Block
-----			Top No-Load Speed: 3750 -Trim: ALL
-----			Service Note: Transfer Muffler and/or Spark Arrester Assembly from the original engine if suitable for additional service or add new parts as required
-----			Service Note: Transfer Oil Sensor to the replacement engine.
-----			Service Note: For all Go-Karts use only a Model 136200 series engine as a replacement, regardless of the original Model.
-----			Service Note: Remove Fuel Tank Assembly from replacement engine.

Not For Reproduction

