

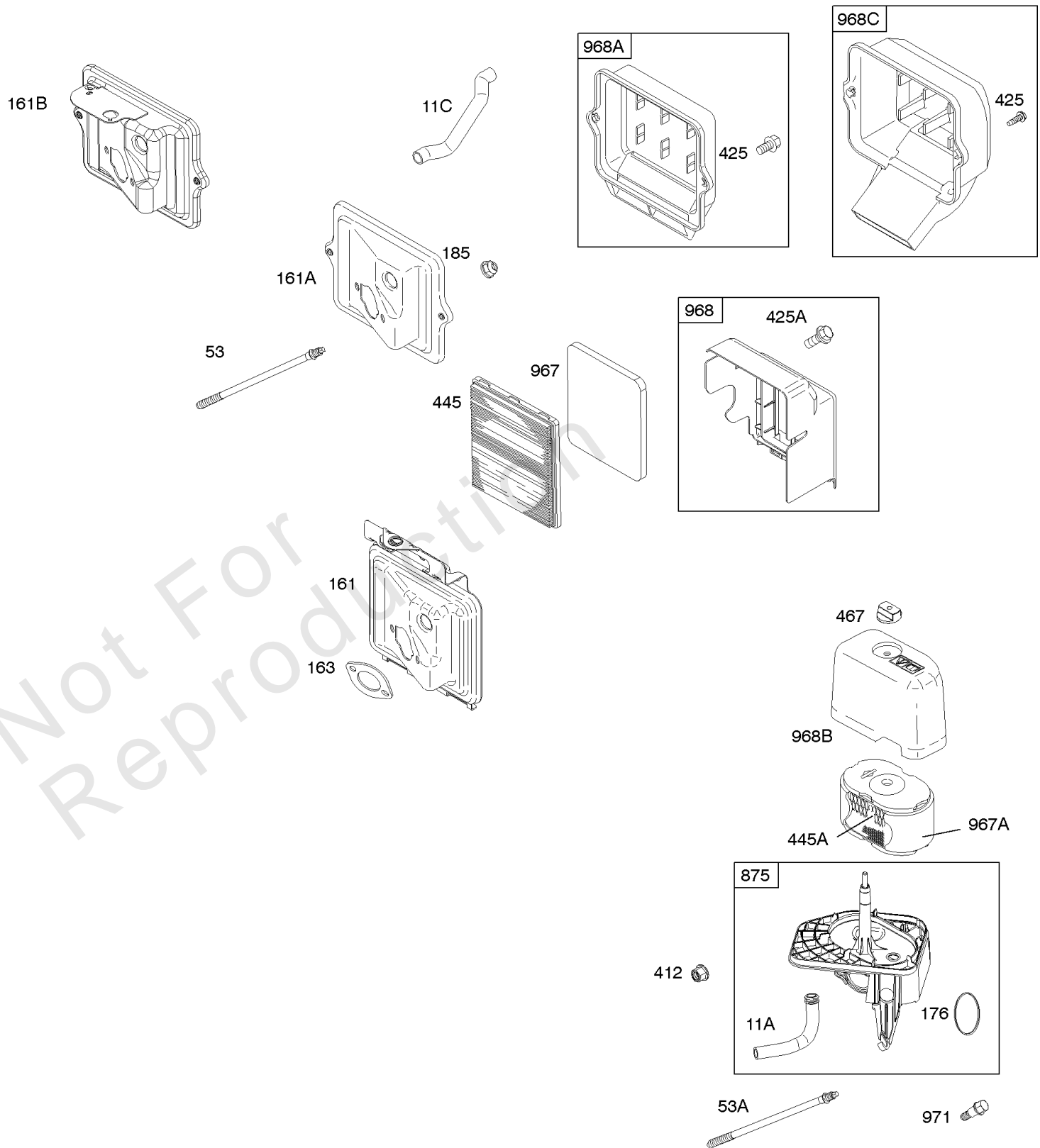


Parts Manual

Mfg. No: 202412-0145-E1

Model Components	Page
Air Cleaner.....	4
Alternator, Ignition.....	6
Blower Housing/Shrouds, Flywheel, Rewind Starter.....	8
Camshaft, Crankcase Cover, Crankshaft, Cylinder, Lubrication, Operator's Manual, Piston/Rings/Connecting	10
Carburetor.....	14
Carburetor, Kit - Carburetor Overhaul.....	16
Controls, Governor Spring.....	18
Cylinder Head, Gasket Set - Engine, Gasket Set - Valve, Valves.....	20
Electric Starter, Gear Reduction.....	22
Exhaust System.....	24
Fuel Supply.....	26
Replacement Engine - US & Canada.....	28

Not For
Reproduction









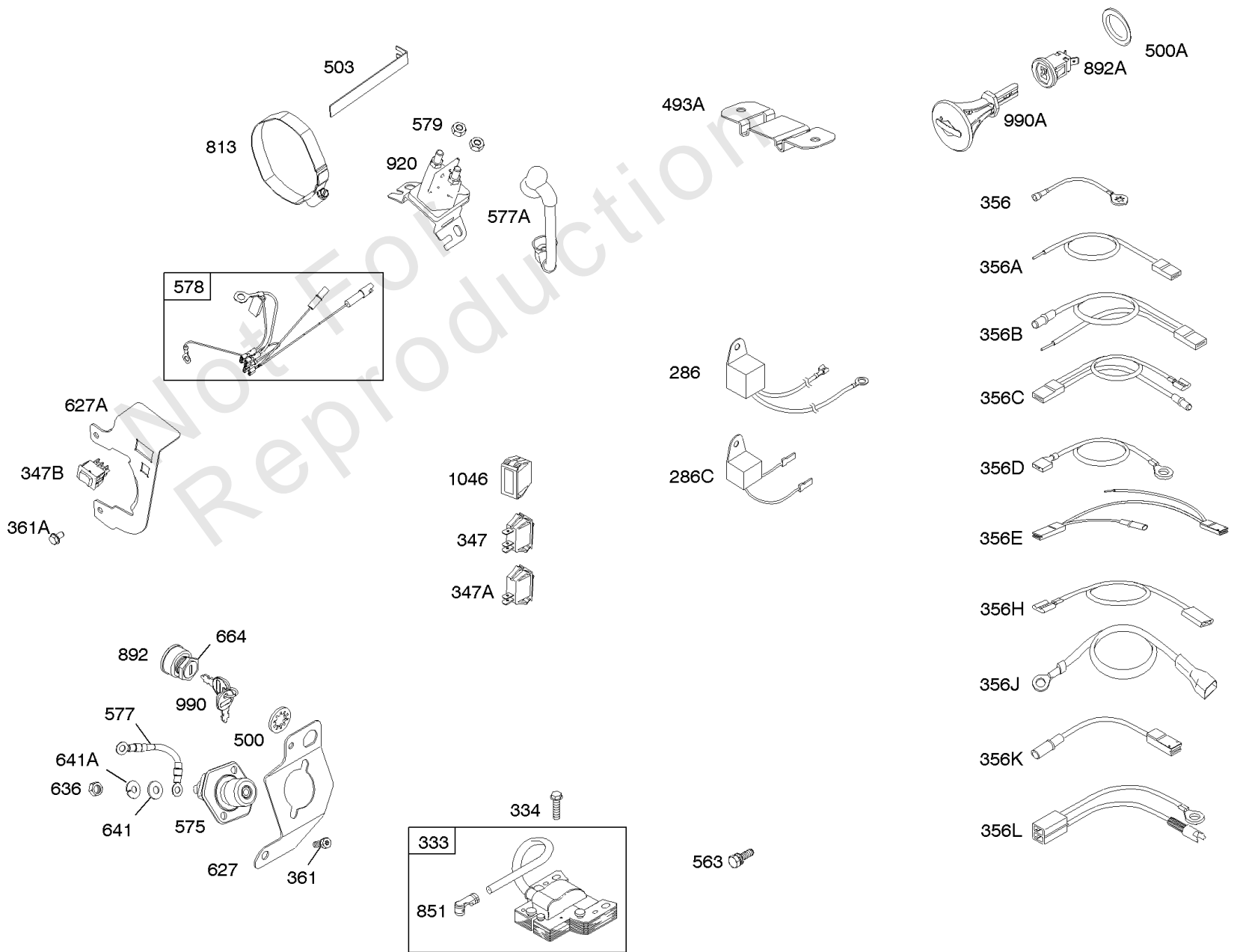
Not For
Reproduction

Air Cleaner

REF NO	PART NO	QTY	DESCRIPTION
11C	696796		TUBE, Breather
53	694869		STUD -(Carburetor)
161	695384		BASE, Air Cleaner -(Metal)
161B	699960		BASE, Air Cleaner -(Metal)
163	692277		GASKET-AIR CLEANER -(Air Cleaner)
185	690958		NUT -(Air Cleaner Base)
412	690958		NUT -(Air Cleaner Cover)
425A	790043		SCREW -(Air Cleaner Cover)
445	491588S		FILTER, A/C Cartridge
967	491435S		FILTER, Pre Cleaner
968	790959		COVER, Air Cleaner
968C	791930		COVER, Air Cleaner

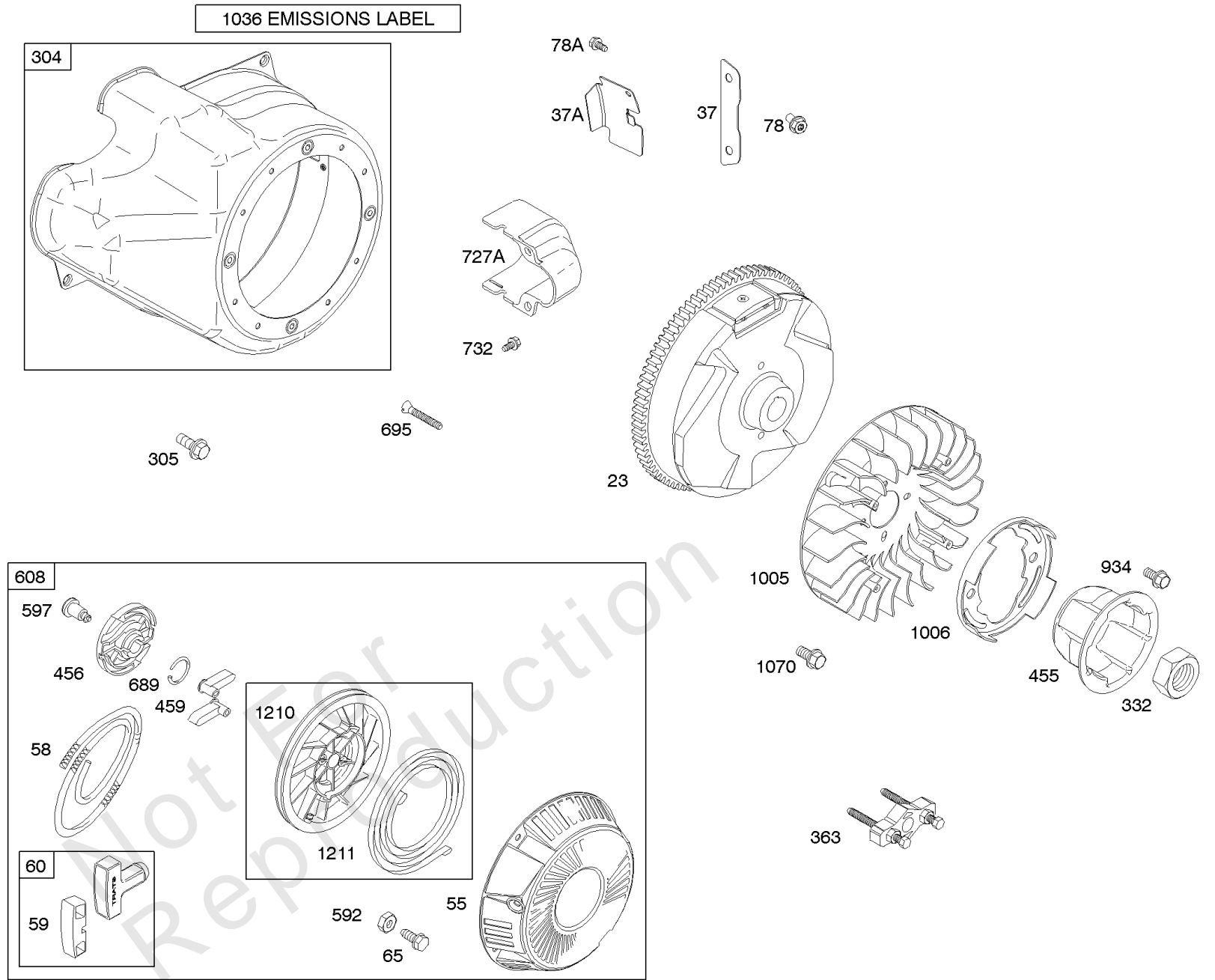
Not For Reproduction

DC ONLY	DUAL CIRCUIT	10 - 16 AMP
474A 	474B 	474D 
<p>NOTE: All stators use a No. 1119 mounting screw. </p> <p>NOTE: The proper flywheel part number and/or the alternator magnet size will determine the alternator type or output. See repair instruction manual for additional information.</p>		<p>526 </p> <p>501 </p>



Alternator, Ignition

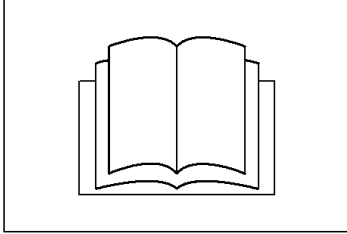
REF NO	PART NO	QTY	DESCRIPTION
333	492341		ARMATURE, Magneto
334	691061		SCREW -(Magneto Armature)
347	698338		SWITCH, Rocker
347B	790949		SWITCH, Rocker
356	692603		WIRE, Stop
356A	692390		WIRE, Stop
356C	695295		WIRE, Stop
356H	696482		WIRE, Stop
356K	697397		WIRE, Stop
356B	699340		WIRE, Stop
356L	792609		WIRE, Stop
361A	691693		SCREW -(Starting Switch)
474D	695466		ALTERNATOR -(10 Amp Regulated)
493A	691177		BRACKET, Mounting -(Regulator)
500A	792613		WASHER -(Key Switch)
501	691185		REGULATOR -(16 Amp Regulated)
503	691532		STRAP, Starter
526	690297		SCREW -(Regulator)
577A	690795		CABLE, Starter
578	790948		WIRE ASSEMBLY
579	691029		NUT -(Starter Cable)
627A	792608		BRACKET, Stopswitch
813	690635		CLAMP
851	692424		TERMINAL, Spark Plug
892A	791944		SWITCH, Key
920	691656		SOLENOID, Starter
990A	695756		SET, Key
1119	691183		SCREW -(Alternator)



Blower Housing/Shrouds, Flywheel, Rewind Starter

REF NO	PART NO	QTY	DESCRIPTION
23	794814		FLYWHEEL
37	790730		GUARD, Flywheel
55	695288		HOUSING-REWIND STR
58	693389		ROPE, Starter -(Cut To Required Length)
59	805957		INSERT, Grip
60	490652		GRIP-STARTER ROPE
65	690837		SCREW -(Rewind Starter)
78	690372		SCREW -(Flywheel Guard)
304	791478		HOUSING, Blower
305	691108		SCREW -(Blower Housing)
332	694685		NUT -(Flywheel)
363	19203		PULLER, Flywheel
455	694683		CUP, Flywheel
456	692299		PLATE-PAWL FRICTION
459	281505S		PAWL-RATCHET
592	690800		NUT -(Rewind Starter)
597	691696		SCREW -(Pawl Friction Plate)
608	695287		STARTER-REWIND
689	691855		SPRING-FRICTION
695	698807		SCREW -(Ring Gear)
727A	697465		COVER, Starter Drive
732	691097		SCREW -(Starter Drive Cover)
934	710550		SCREW -(Fan Retainer)
1005	694684		FAN, Flywheel
1006	690452		RETAINER, Fan
1036	-----		Label-Emissions -(Available From A Briggs & Stratton Authorized Dealer)
1070	691058		SCREW -(Flywheel Fan)
1210	498144		PULLEY/SPRING ASSY -(Pulley)
1211	498144		PULLEY/SPRING ASSY -(Spring)

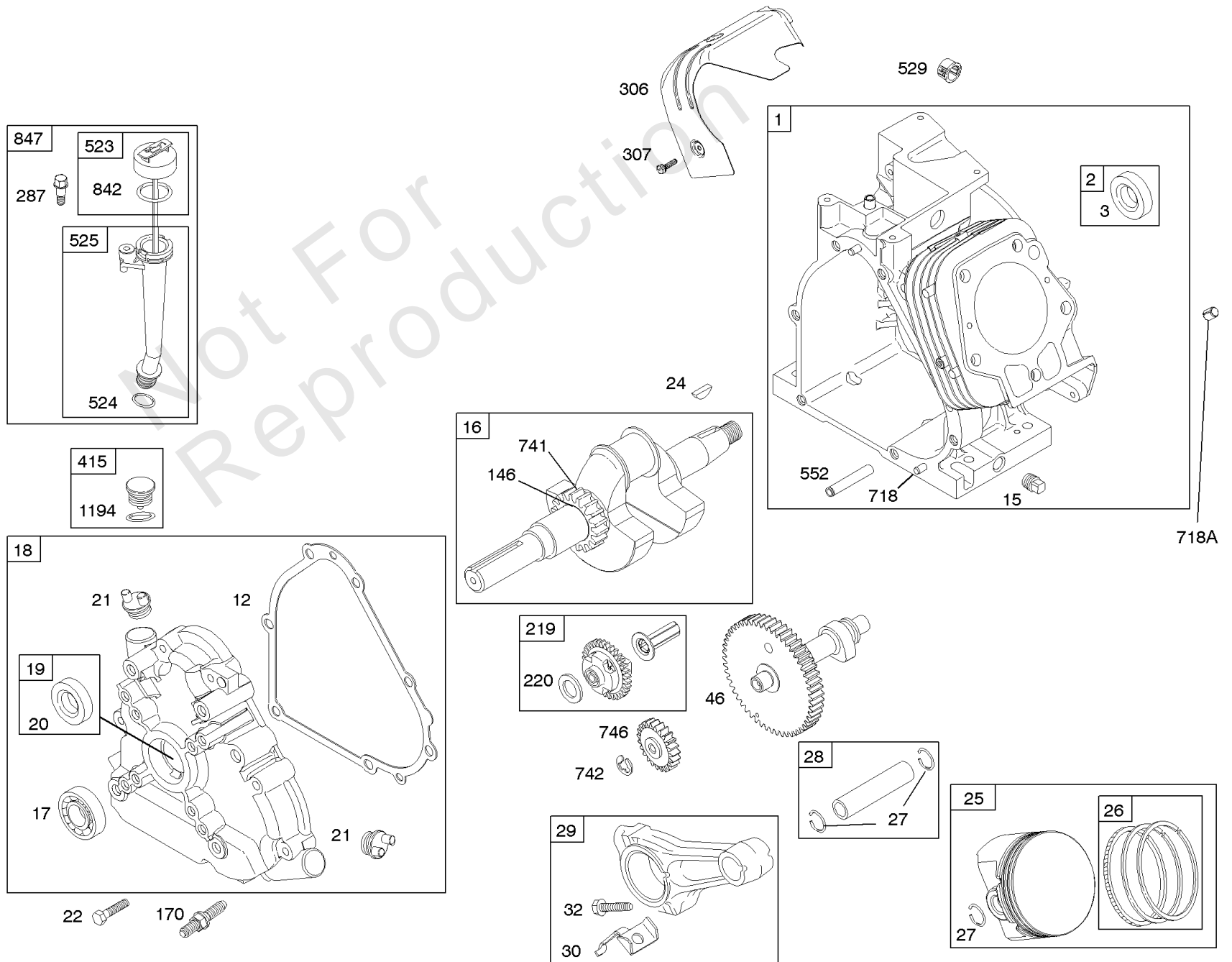
1058 OPERATOR'S MANUAL



1319 WARNING LABEL

WARNING	
	Read and follow Operating Instructions before running engine.
	Gasoline is flammable. Allow engine to cool at least 2 minutes before refueling.
	Engines emit carbon monoxide, DO NOT run in enclosed area.
	Muffler area temperature may exceed 150°F. Do not touch hot parts.

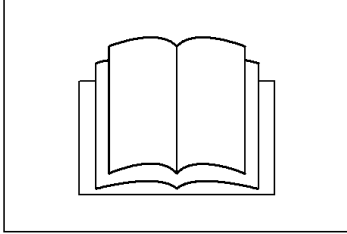
REQUIRED when replacing parts with warning labels affixed.



Camshaft, Crankcase Cover, Crankshaft, Cylinder, Lubrication, Operator's Manual, Piston/

REF NO	PART NO	QTY	DESCRIPTION
1	793117		CYLINDER ASSEMBLY
2	698340		KIT, Bushing/Seal -(Magneto Side)
3	391086S		SEAL, Oil -(Magneto Side)
12	694953		GASKET, Crankcase
15	691686		PLUG-OIL DRAIN
16	794716		CRANKSHAFT
17	695434		BEARING, Ball
18	791965		COVER, Crankcase
19	698340		KIT, Bushing/Seal -(PTO Side)
20	391086S		SEAL, Oil -(PTO Side)
21	281658S		CAP-OIL FILL
22	695174		SCREW -(Crankcase Cover/Sump)
24	222698S		KEY, Flywheel
25	792144		PISTON ASSEMBLY -(.020 Oversize)
25	792117		PISTON ASSEMBLY -(Standard)
26	792026		SET, Ring -(Standard) -Used After Code Date 05081000
26	792073		SET, Ring -(.020 Oversize) -Used After Code Date 05081000
26	694004		SET, Ring -(Standard) -Used Before Code Date 05081100
26	694008		SET, Ring -(.020 Oversize) -Used Before Code Date 05081100
27	690975		LOCK, Piston Pin
28	696581		PIN, Piston -(Standard)
29	694691		ROD, Connecting
30	694692		DIPPER, Connecting Rod
32	690976		SCREW -(Connecting Rod)
46	790958		CAMSHAFT
146	690979		KEY, Woodruff
170	695296		STUD -(Crankcase Cover/Sump)
219	693578		GEAR, Governor
220	691724		WASHER -(Governor Gear)
287	691693		SCREW -(Dipstick Tube)
306	694677		SHIELD, Cylinder -Used Before Code Date 01102900
306	697240		SHIELD, Cylinder -Used After Code Date 01102800
307	691660		SCREW -(Cylinder Shield)
415	691363		PLUG
523	695344		DIPSTICK

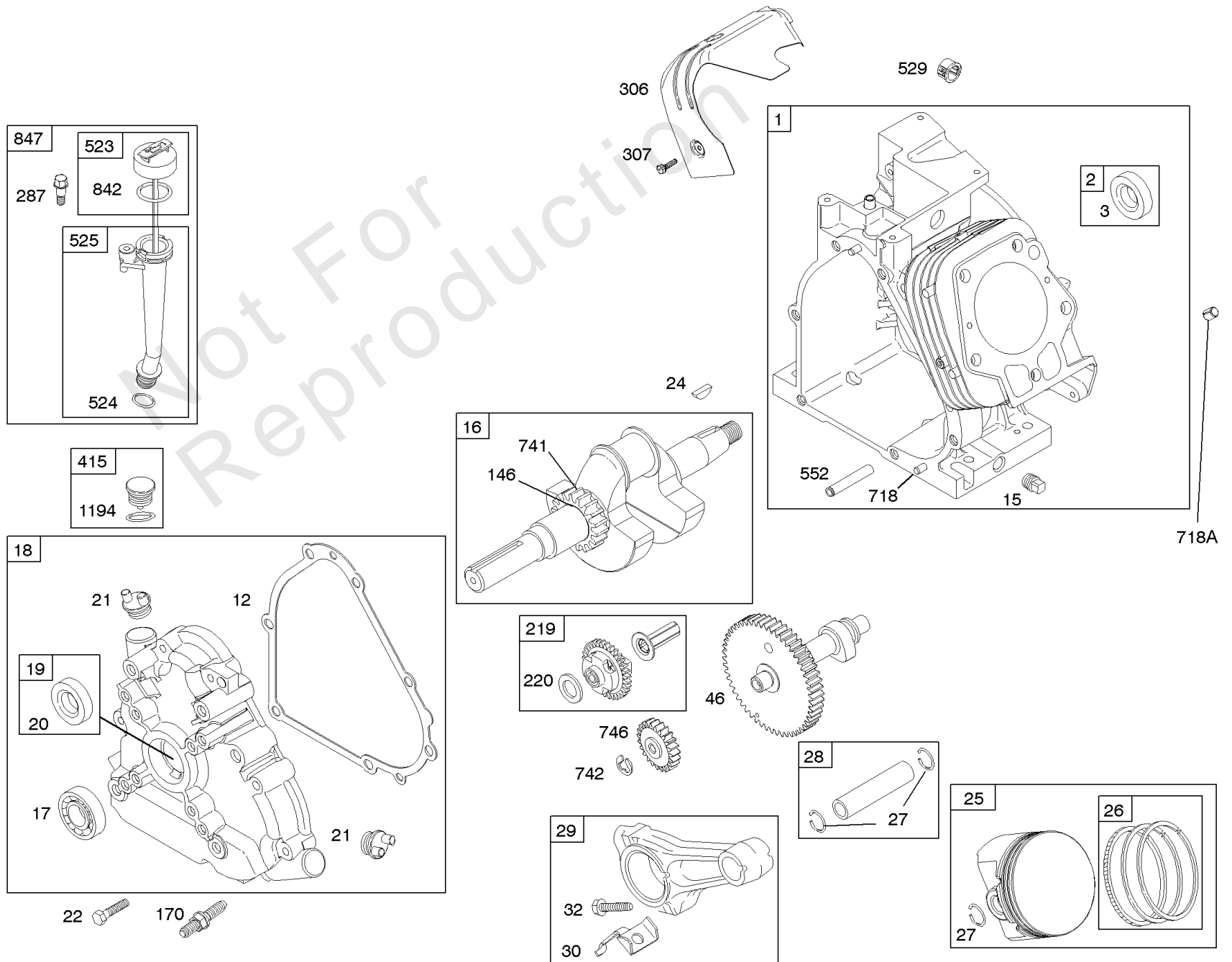
1058 OPERATOR'S MANUAL



1319 WARNING LABEL

WARNING	
	Read and follow Operating Instructions before running engine.
	Gasoline is flammable. Allow engine to cool at least 2 minutes before refueling.
	Engines emit carbon monoxide, DO NOT run in enclosed area.
	Muffler area temperature may exceed 150°F. Do not touch hot parts.

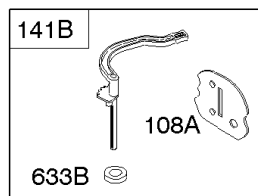
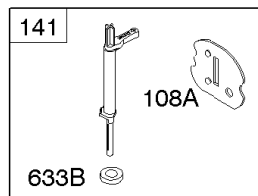
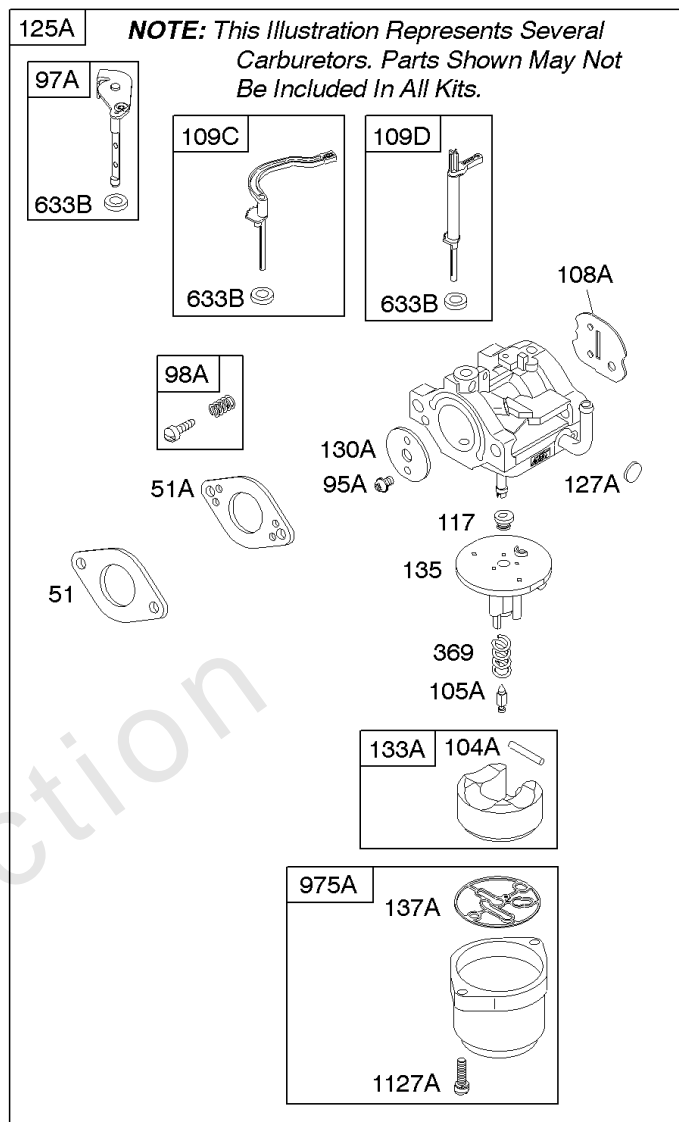
REQUIRED when replacing parts with warning labels affixed.



Camshaft, Crankcase Cover, Crankshaft, Cylinder, Lubrication, Operator's Manual, Piston/

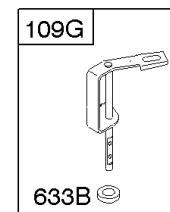
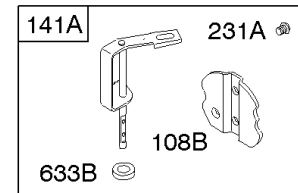
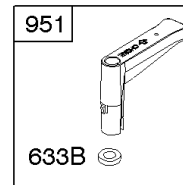
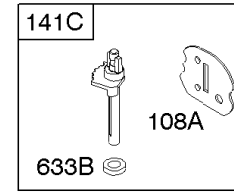
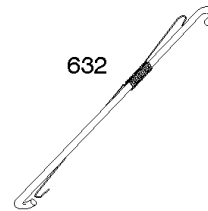
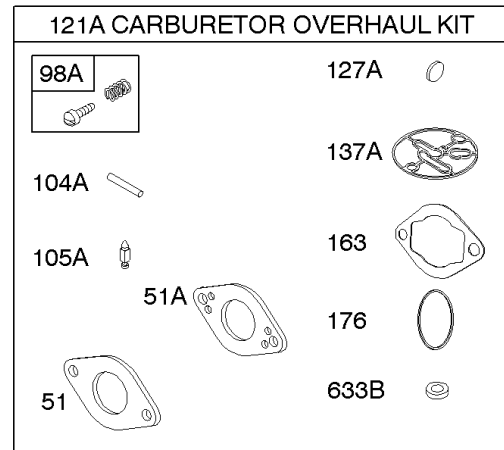
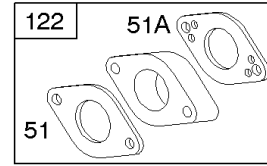
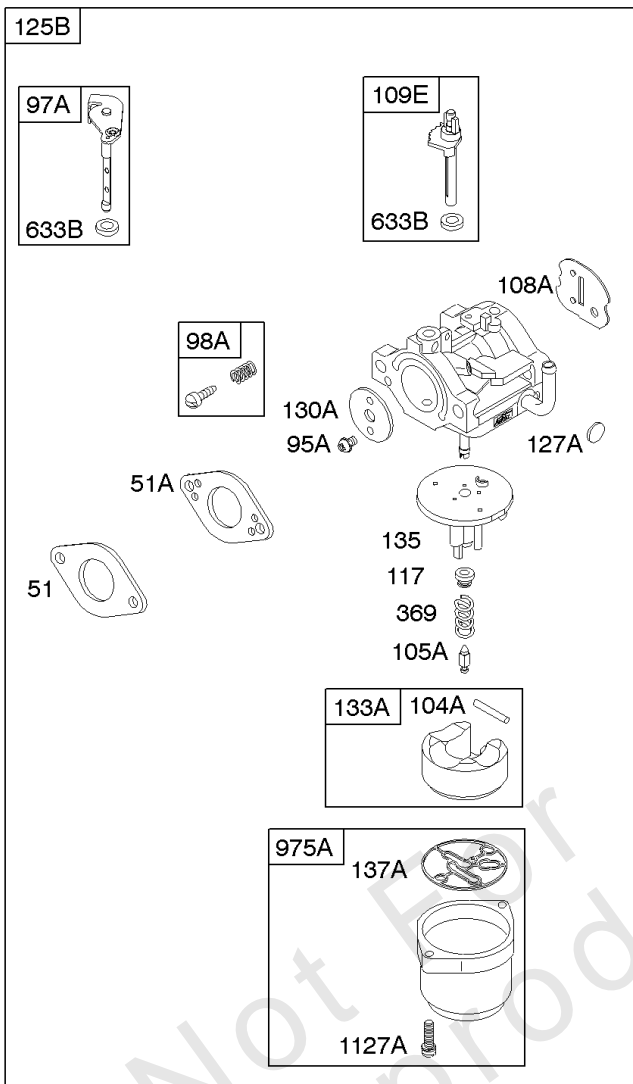
REF NO	PART NO	QTY	DESCRIPTION
524	691876		SEAL, O-Ring
525	695343		TUBE, Dipstick
529	791822		GROMMET
552	694674		BUSHING, Governor Crank
718	690959		PIN, Locating
718A	695178		PIN, Locating -(Head)
741	691288		GEAR, Timing
742	692564		RETAINER, E Ring
746	694679		GEAR, Idler
842	691031		SEAL, O-Ring -(Dipstick Tube)
847	695342		DIPSTICK/TUBE ASSEMBLY
1058	277040		MANUAL, Operator's
1194	691876		SEAL, O-Ring -(Plug)
1319	794467		LABEL, Warning

Not For Reproduction



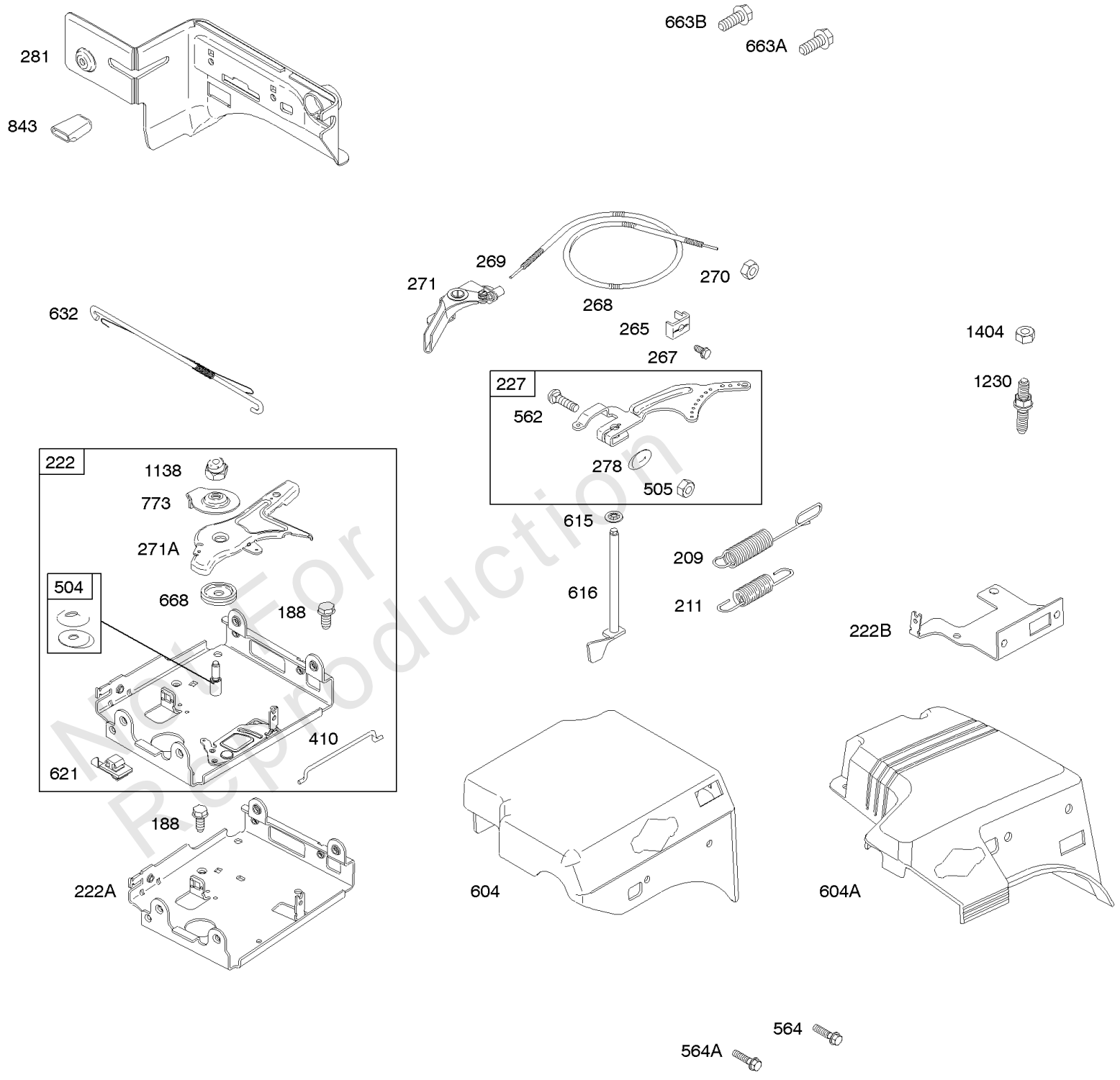
Carburetor

REF NO	PART NO	QTY	DESCRIPTION
51	694874		GASKET, Intake
51A	694875		GASKET, Intake
95A	690718		SCREW -(Throttle Valve)
97A	696140		SHAFT, Throttle
98A	695408		KIT, Idle Speed
104A	694918		PIN, Float Hinge
105A	696136		VALVE, Float Needle
108A	696143		VALVE, Choke
109C	790148		SHAFT, Choke
109D	790149		SHAFT, Choke
117	696134		JET, Main -(Standard)
118	696135		JET, Main -(High Altitude)
125A	696132		CARBURETOR
127A	690727		PLUG, Welch
130A	696139		VALVE, Throttle
133A	694914		FLOAT, Carburetor
135	696142		TUBE, Fuel Transfer
137A	695426		GASKET, Float Bowl
141	696145		KIT, Choke Shaft
141B	696144		KIT, Choke Shaft
369	695422		SPRING, Float Bowl
632	696059		SPRING/LINK, Mechanical Governor -(Use With Nikki Carburetor)
633B	690998		SEAL, Choke/Throttle Shaft
975A	696138		BOWL, Float
1127A	695407		SCREW -(Float Bowl) (Float Bowl to Carburetor Body)



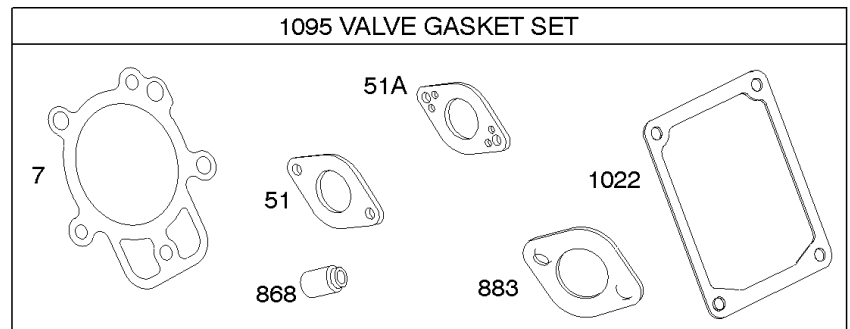
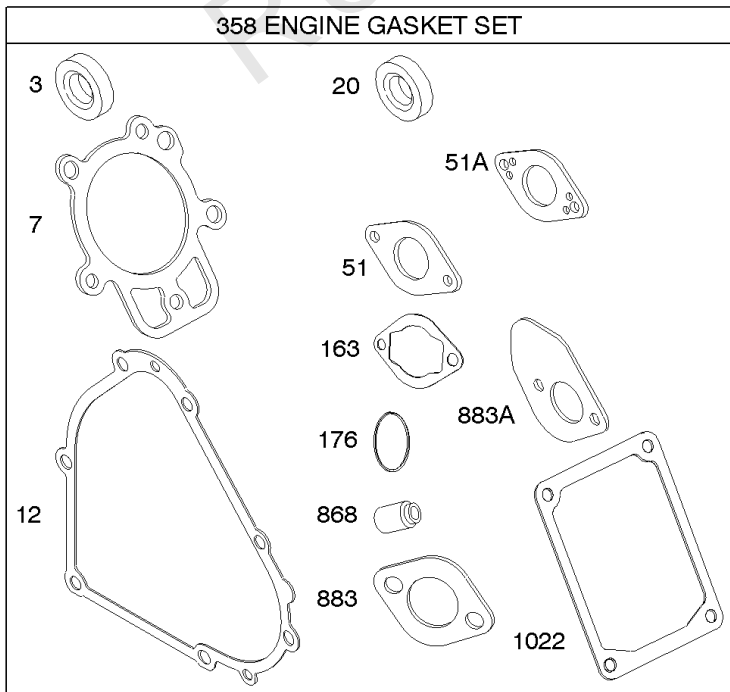
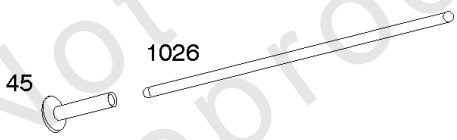
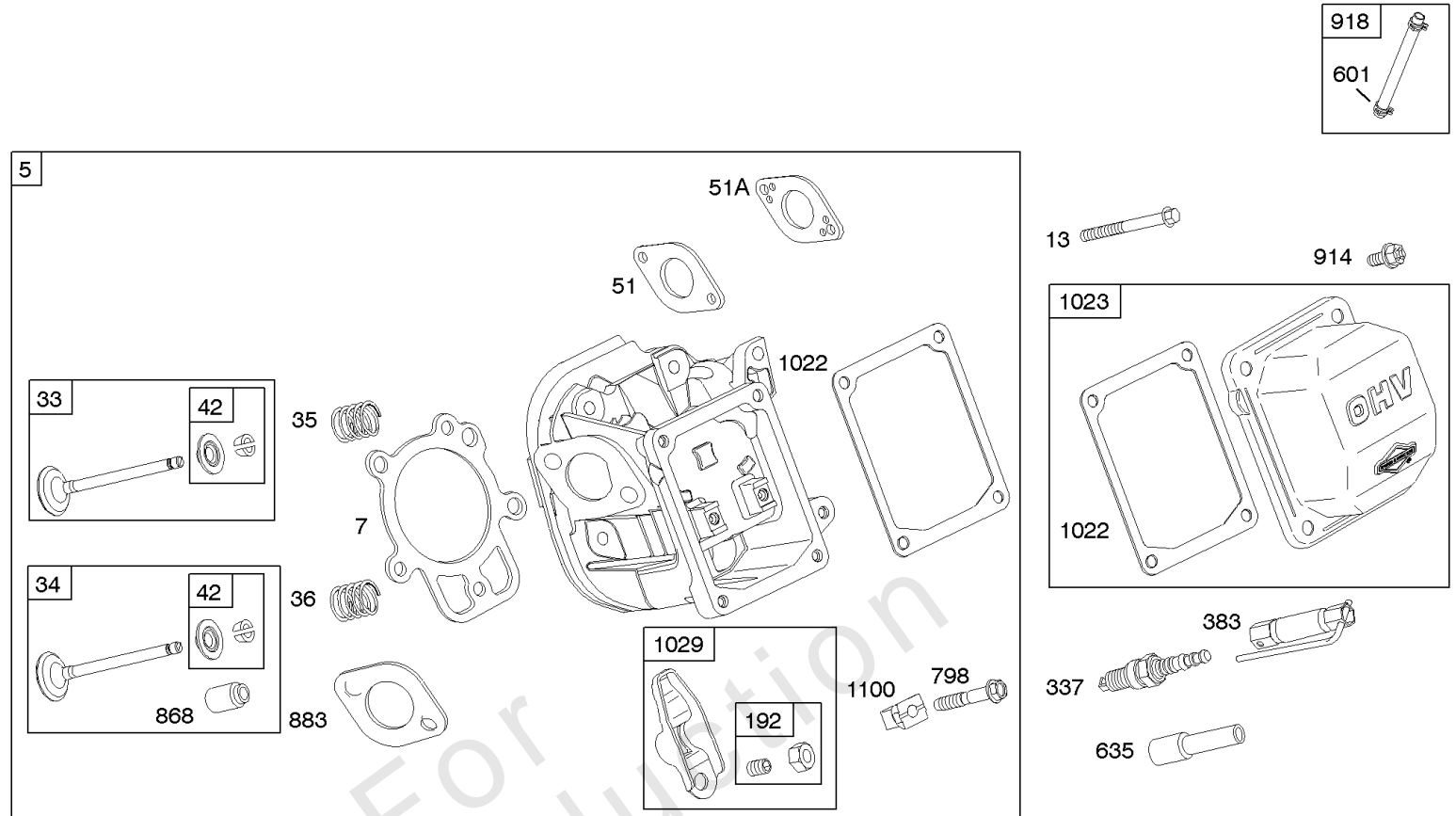
Carburetor, Kit - Carburetor Overhaul

REF NO	PART NO	QTY	DESCRIPTION
51	694874		GASKET, Intake
51A	694875		GASKET, Intake
95A	690718		SCREW -(Throttle Valve)
97A	696140		SHAFT, Throttle
98A	695408		KIT, Idle Speed
104A	694918		PIN, Float Hinge
105A	696136		VALVE, Float Needle
108A	696143		VALVE, Choke
108B	696209		VALVE, Choke
109E	696735		SHAFT, Choke
109G	790077		SHAFT, Choke
117	696134		JET, Main -(Standard)
118	696135		JET, Main -(High Altitude)
121A	696146		KIT, Carburetor Overhaul -(Nikki Carburetor)
122	694876		SPACER, Carburetor
127A	690727		PLUG, Welch
130A	696139		VALVE, Throttle
133A	694914		FLOAT, Carburetor
135	696142		TUBE, Fuel Transfer
137A	695426		GASKET, Float Bowl
141A	698457		KIT, Choke Shaft
141C	699979		KIT, Choke Shaft
163	692277		GASKET-AIR CLEANER -(Air Cleaner)
231A	690718		SCREW -(Choke Valve)
369	695422		SPRING, Float Bowl
632	696059		SPRING/LINK, Mechanical Governor -(Use With Nikki Carburetor)
633B	690998		SEAL, Choke/Throttle Shaft
975A	696138		BOWL, Float
1127A	695407		SCREW -(Float Bowl) (Float Bowl to Carburetor Body)



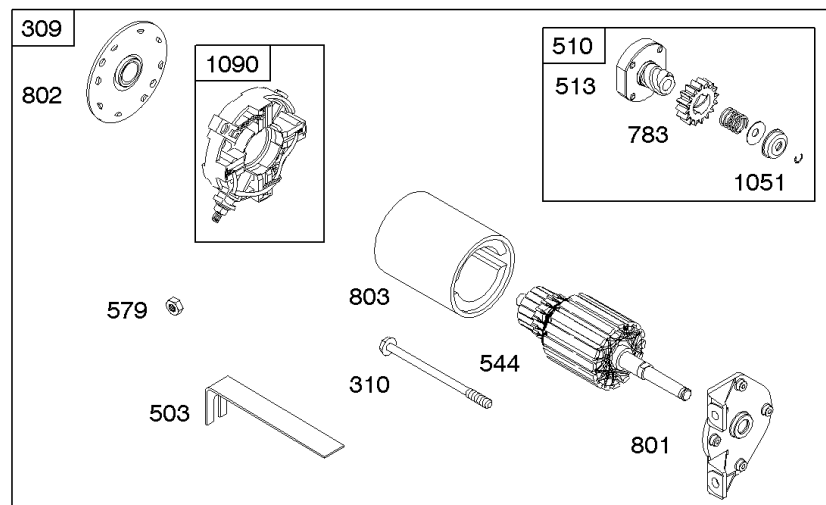
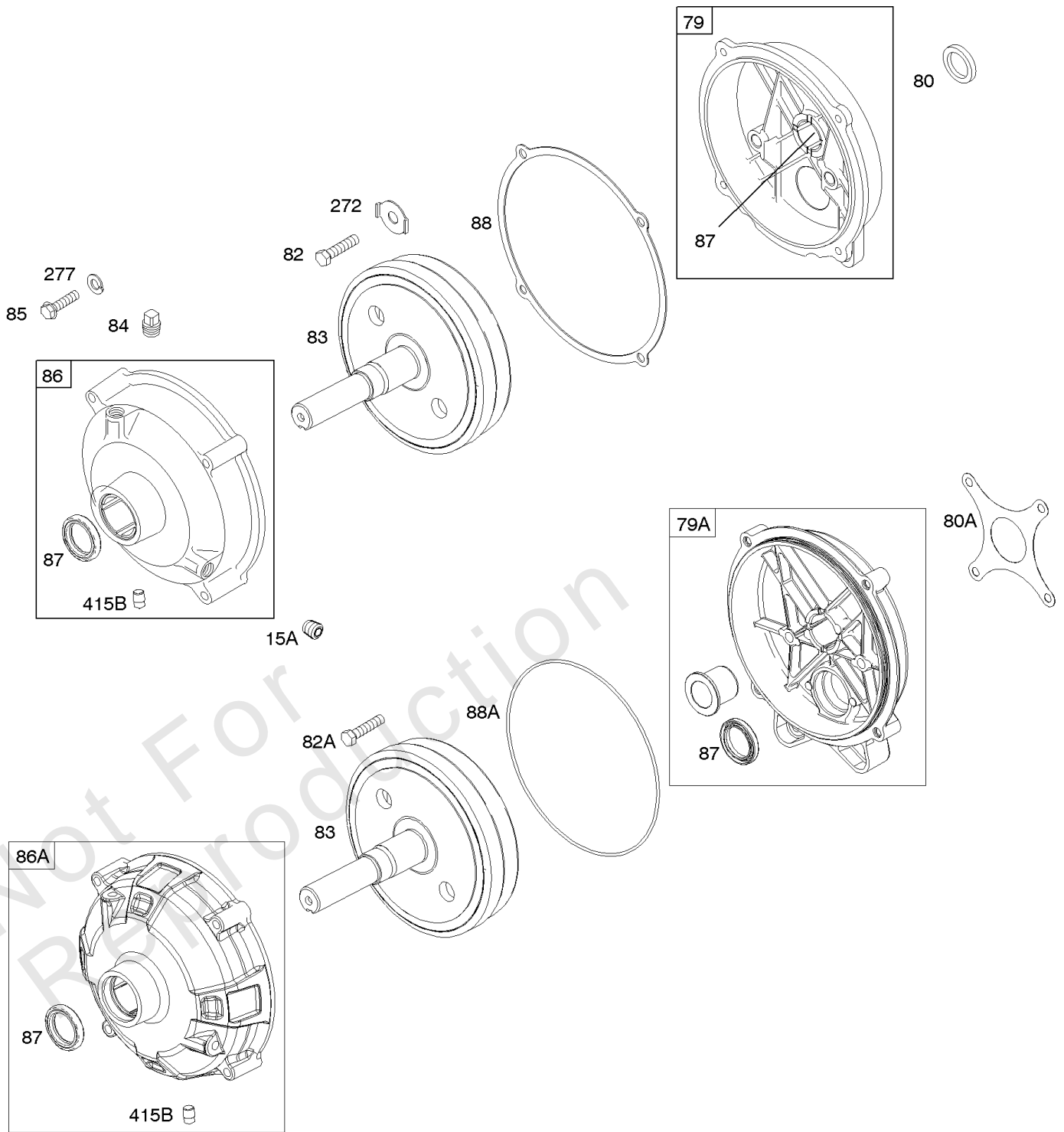
Controls, Governor Spring

REF NO	PART NO	QTY	DESCRIPTION
188	690877		SCREW -(Control Bracket)
209	696638		SPRING, Governor
211	695307		SPRING, Governed Idle
222	695380		BRACKET, Control
222B	791753		BRACKET, Control
227	694864		LEVER, Governor Control
265	691024		CLAMP, Casing
267	692577		SCREW -(Casing Clamp)
268	691025		CASING, Control Wire -(Cut To Required Length)
269	691026		WIRE, Control -(Cut To Required Length)
270	691027		NUT -(Control Wire Casing)
271	691028		LEVER, Control
271A	695381		LEVER, Control
278	792008		WASHER -(Governor Lever)
281	697268		PANEL, Control -Used After Code Date 01102800
281	695294		PANEL, Control -Used Before Code Date 01102900
410	695382		LINK, Control
504	695383		SET, Friction Washer
505	691251		NUT -(Governor Control Lever)
562	793216		BOLT -(Governor Lever)
564	692577		SCREW -(Control Cover)
564A	692198		SCREW -(Control Cover)
604A	791752		COVER, Control
615	694676		RETAINER, Governor Shaft
616	694675		CRANK, Governor
621	692310		SWITCH, Stop
632	696059		SPRING/LINK, Mechanical Governor -(Use With Nikki Carburetor)
663A	690372		SCREW -(Control Panel) (5/8)
663B	692577		SCREW -(Control Panel) (3/4)
668	694257		SPACER -(Control Bracket)
773	694258		RETAINER
843	695588		SLEEVE, Lever
1138	694255		NUT -(Control Bracket)
1230	791754		STUD -(Control Bracket)
1404	696757		LOCKNUT -(Control Cover)



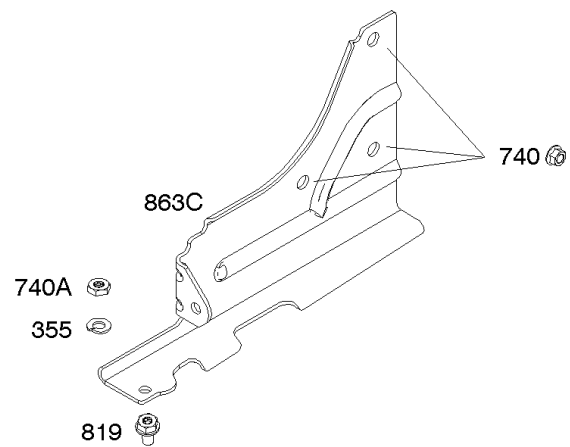
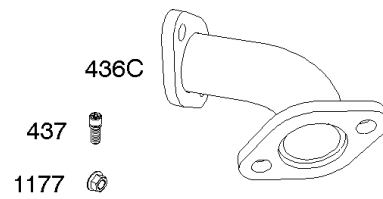
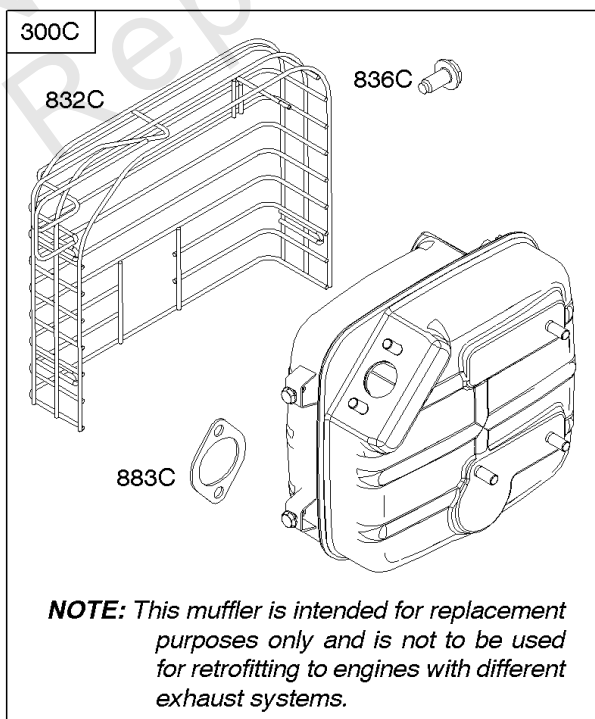
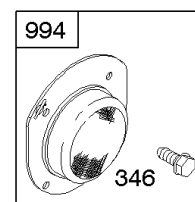
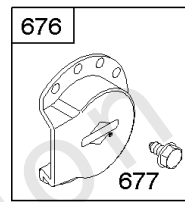
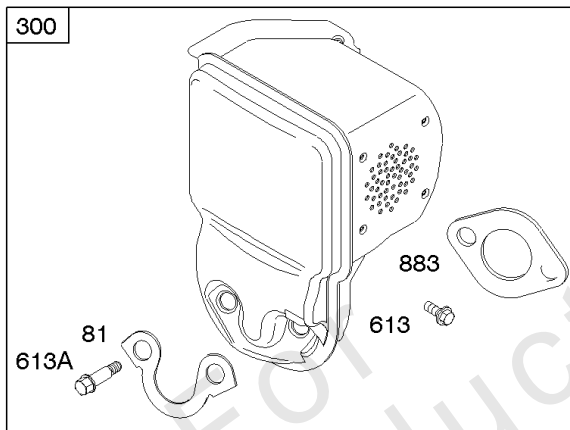
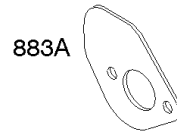
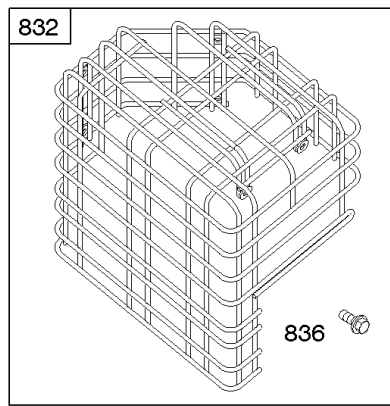
Cylinder Head, Gasket Set - Engine, Gasket Set - Valve, Valves

REF NO	PART NO	QTY	DESCRIPTION
3	391086S		SEAL, Oil -(Magneto Side)
5	793009		HEAD, Cylinder
7	694872		GASKET, Cylinder Head
12	694953		GASKET, Crankcase
13	690360		SCREW -(Cylinder Head)
20	391086S		SEAL, Oil -(PTO Side)
33	499596		VALVE, Exhaust
34	792200		VALVE, Intake
35	694865		SPRING, Valve -(Intake)
36	694865		SPRING, Valve -(Exhaust)
42	499586		KEEPER, Valve
45	690977		TAPPET, Valve
51	694874		GASKET, Intake
51A	694875		GASKET, Intake
163	692277		GASKET-AIR CLEANER -(Air Cleaner)
192	690083		ADJUSTER, Rocker Arm
337	491055S		PLUG, Spark
337	84007216	1	PLUG, SPARK -(China Only)
358	695438		GASKET SET, Engine
383	19374S		WRENCH, Spark Plug
601	791850		CLAMP, Hose
635	691909		BOOT, Spark Plug
798	697890		SCREW -(Rocker Arm)
868	690968		SEAL, Valve
883	695398		GASKET, Exhaust
883A	697255		GASKET, Exhaust
914	693732		SCREW -(Rocker Cover)
918	393815		HOSE, Vacuum -(Cylinder To Impulse Pump)(Cut To Required Length)
1022	690971		GASKET, Rocker Cover
1023	697691		COVER, Rocker
1026	695177		ROD, Push
1029	690972		ARM, Rocker
1095	695440		GASKET SET, Valve
1100	791959		PIVOT, Rocker Arm



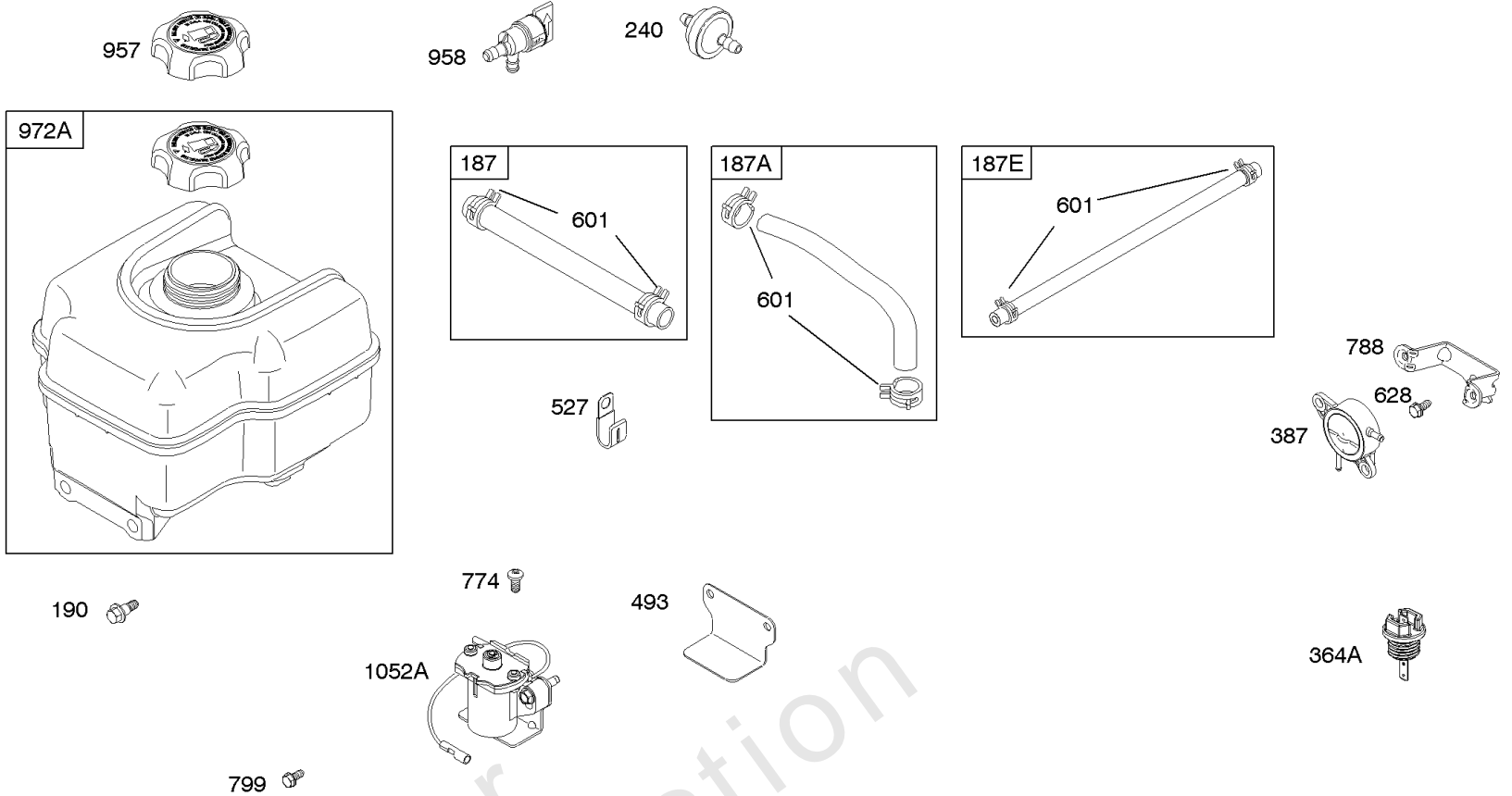
Electric Starter, Gear Reduction

REF NO	PART NO	QTY	DESCRIPTION
15A	691682		PLUG-OIL DRAIN
83	690387		SHAFT, Auxiliary Drive
84	691121		PLUG-BREATHER
85	691076		SCREW -(Gear Cover to Gear Reduction Case)
87	391086S		SEAL, Oil
272	691168		LOCK, Screw Head
277	691075		WASHER -(Gear Case To Gear Reduction)
309	695479		MOTOR, Starter
310	690323		SCREW -(Starter Motor)
415B	690283		PLUG, Oil -(1/8 Standard)
503	691532		STRAP, Starter
510	693699		DRIVE, Starter
513	692024		CLUTCH, Drive
544	692034		ARMATURE, Starter -(3 5/8 Housing)
579	691029		NUT -(Starter Cable)
697	690372		SCREW -(Drive Cap)
783	693713		GEAR, Pinion
801	694482		CAP-DRIVE
802	691286		CAP, End
803	-----		Housing-Starter -(Not Serviced Separately, Order Starter Motor 695479)
1051	691265		RING, Retaining
1090	691293		RETAINER, Brush



Exhaust System

REF NO	PART NO	QTY	DESCRIPTION
81	695400		LOCK, Muffler Screw
300	697252		MUFFLER
300C	793701		MUFFLER
346	690367		SCREW -(Spark Arrestor)
355	691075		WASHER -(Muffler Bracket)
436C	792374		MANIFOLD, Exhaust
437	696705		SCREW -(Exhaust Manifold)
613	695312		SCREW -(Muffler)
613A	695399		SCREW -(Muffler)
677	690367		SCREW -(Muffler Deflector)
740	710090		LOCKNUT -(Muffler Bracket)
740A	793859		NUT -(Muffler Bracket)
819	690352		SCREW -(Muffler Bracket)
832	795035		GUARD, Muffler
832C	792380		MUFFLER
836	690367		SCREW -(Muffler Guard) -Used Before Code Date 01061100
836	695312		SCREW -(Muffler Guard) -Used After Code Date 01061000
836C	710023		SCREW -(Muffler Guard)
863C	793700		BRACKET, Muffler
883	695398		GASKET, Exhaust
883A	697255		GASKET, Exhaust
883C	710250		GASKET, Exhaust
1177	710090		LOCKNUT -(Muffler)



Fuel Supply

REF NO	PART NO	QTY	DESCRIPTION
187	791766		LINE, Fuel -(15" Long)(Cut to Required Length)
187A	791869		LINE, Fuel -Used After Code Date 05063000
187A	695429		LINE, Fuel -Used Before Code Date 05070100
190	692127		SCREW -(Fuel Tank)
240	394358S		FILTER, Fuel
364A	699947		TERMINAL, Oil Plug
493	694861		BRACKET, Mounting -(Oil Sensor)
601	791850		CLAMP, Hose
774	695447		SCREW -(Stop Wire)
799	690297		SCREW -(Oil Sensor)
799	695446		SCREW -(Oil Sensor)
957	792647		CAP, Fuel Tank -(Plastic)
958	698180		VALVE-FUEL SHUT OFF -(Plastic)
972A	694260		TANK, Fuel -(Plastic)
1052A	791159		SENSOR, Oil

Replacement Engine - US & Canada

REF NO	PART NO	QTY	DESCRIPTION
	20S2320036	1	Replacement Engine
	794906	1	Replacement Short Block
	-----		Top No-Load Speed: 3900 -Trim: ALL
	-----		Service Note: For all Go-Karts use only a Model 136200 series engine as a replacement, regardless of the original Model.
	-----		Service Note: Transfer the Blower Housing , Rewind Assembly and related parts from the original engine to replacement engine.
	-----		Service Note: Transfer Governor Spring to replacement engine.

Not For Reproduction

