



# Parts Manual

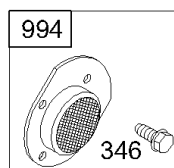
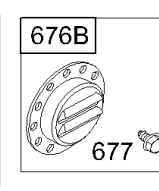
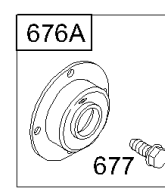
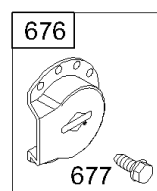
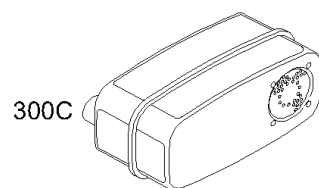
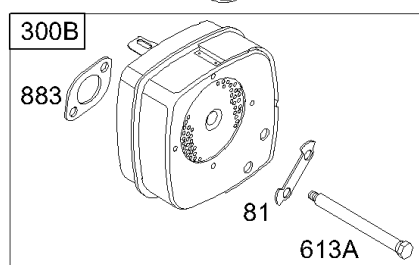
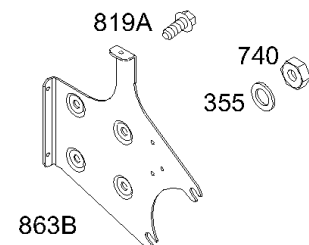
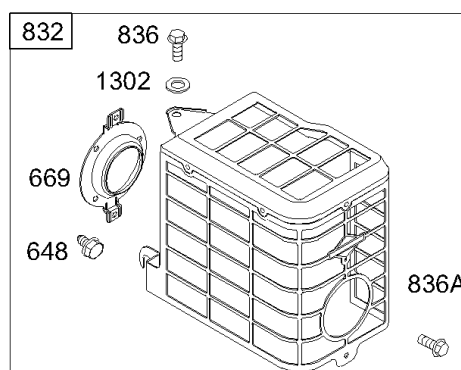
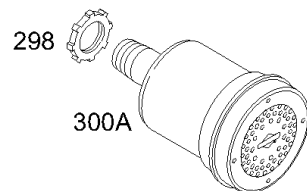
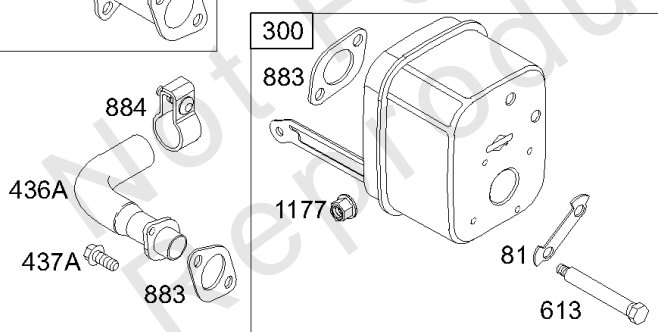
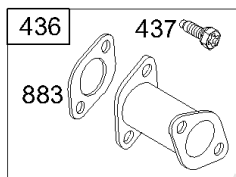
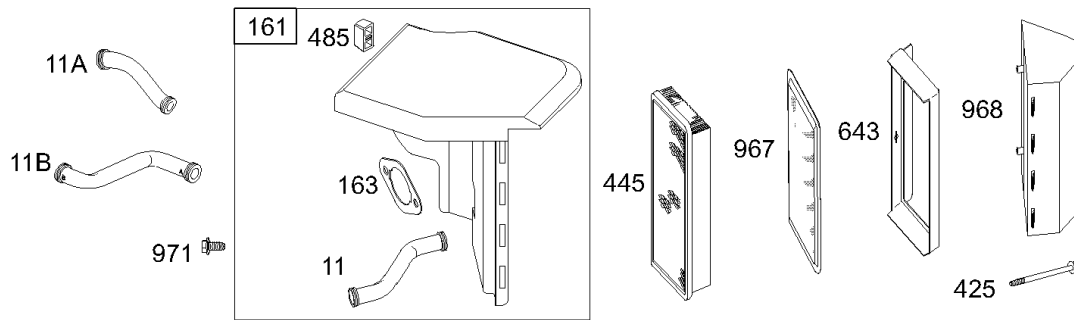
Mfg. No: 196402-0165-01



---

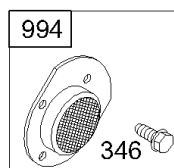
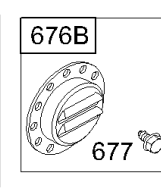
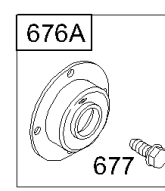
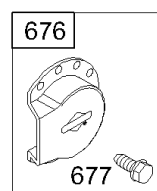
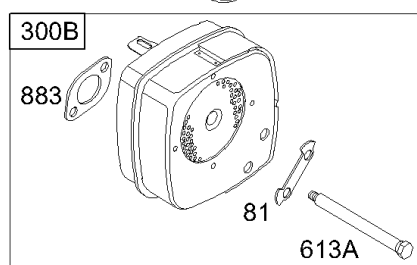
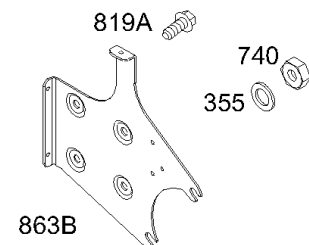
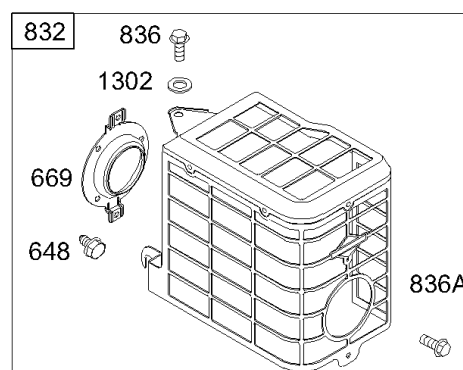
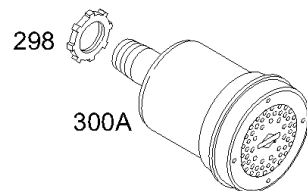
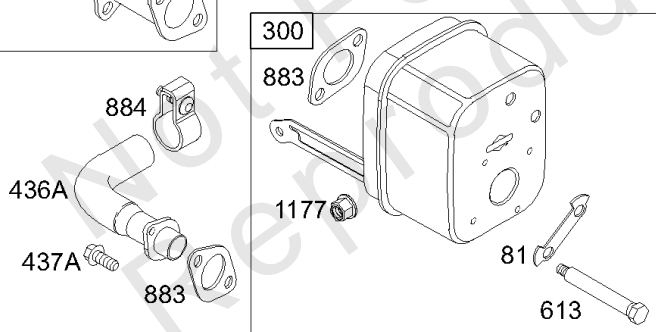
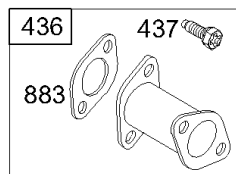
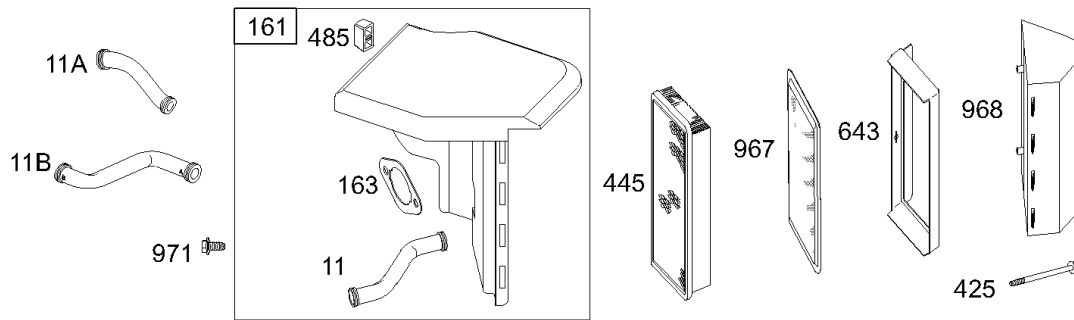
| <b>Model Components</b>  | <b>Page</b> |
|--|-------------|
| AIR CLEANER, MUFFLER.....  | 4           |
| ALTERNATORS, PANEL KIT, GEAR REDUCTION, WIRES, GASKETS.....        | 8           |
| BLOWER HOUSING, GUARDS, REWIND STARTER.....                        | 12          |
| CARBURETOR.....  | 16          |
| CONTROLS, SPRINGS, FUEL TANK, HOSES.....                           | 20          |
| CRANKCASE COVER, CRANKSHAFT, BREATHER, CYLINDER, PISTONS, OIL..... | 26          |
| ELECTRIC STARTER, FLYWHEEL, ARMATURE.....                          | 34          |
| Replacement Engine - Europe, Middle East & Africa.....             | 38          |
| Replacement Engine - US & Canada.....                              | 39          |

Not For  
Reproduction



## AIR CLEANER, MUFFLER

| REF NO | PART NO | QTY | DESCRIPTION   |
|--------|---------|-----|---|
| 11     | 691907  |     | TUBE, Breather<br>-Used After Code Date 95040200                                    |
| 11A    | 691899  |     | TUBE, Breather<br>-Used After Code Date 95010100<br>-Used Before Code Date 95040300 |
| 11B    | 281426  |     | TUBE, Breather<br>-Used Before Code Date 95010200                                   |
| 81     | 691729  |     | LOCK, Muffler Screw   |
| 161    | 498544  |     | BASE-AIR CLEANER  |
| 163    | 692277  |     | GASKET-AIR CLEANER<br>-(Air Cleaner)  |
| 298    | 690453  |     | LOCKNUT<br>-(Muffler and Elbow)   |
| 300    | 497141  |     | MUFFLER<br>-(Super Lo Tone)   |
| 300A   | 692025  |     | MUFFLER<br>-(Round Lo Tone)   |
| 300C   | 498984S |     | MUFFLER<br>-(Super Lo Tone)   |
| 300B   | 691951  |     | MUFFLER<br>-(Lo Tone)   |
| 346    | 690661  |     | SCREW<br>-(Spark Arrestor)  |
| 355    | 690310  |     | WASHER<br>-(Muffler Bracket)  |
| 425    | 691671  |     | SCREW<br>-(Air Cleaner Cover)   |
| 436    | 497140  |     | MANIFOLD, Exhaust   |
| 436A   | 690797  |     | MANIFOLD, Exhaust   |
| 437    | 691665  |     | SCREW<br>-(Exhaust Manifold)  |
| 437A   | 690810  |     | SCREW<br>-(Exhaust Manifold)  |
| 445    | 691643  |     | FILTER, A/C Cartridge   |
| 485    | 692295  |     | KNOB, Air Cleaner Cover<br>-(Air Cleaner)   |
| 613    | 691351  |     | SCREW<br>-(Muffler)   |
| 613A   | 691632  |     | SCREW<br>-(Muffler)   |
| 643    | 691926  |     | RETAINER, Air Filter  |
| 648    | 690661  |     | SCREW<br>-(Muffler Guard Bracket) (Muffler Guard Bracket)                           |
| 669    | 691228  |     | BRACKET, Muffler Guard  |
| 676    | 393757  |     | DEFLECTOR, Muffler<br>-(Side Outlet)  |
| 676A   | 395700  |     | DEFLECTOR, Muffler<br>-(Direct Outlet)  |
| 676B   | 393758  |     | DEFLECTOR, Muffler<br>-(Louvered Outlet)  |
| 677    | 690661  |     | SCREW<br>-(Muffler Deflector)   |
| 740    | 691105  |     | LOCKNUT<br>-(Muffler Bracket)   |
| 819A   | 690297  |     | SCREW<br>-(Muffler Bracket)   |
| 832    | 691447  |     | GUARD-MUFFLER   |
| 836    | 690661  |     | SCREW<br>-(Muffler Guard)   |



## AIR CLEANER, MUFFLER

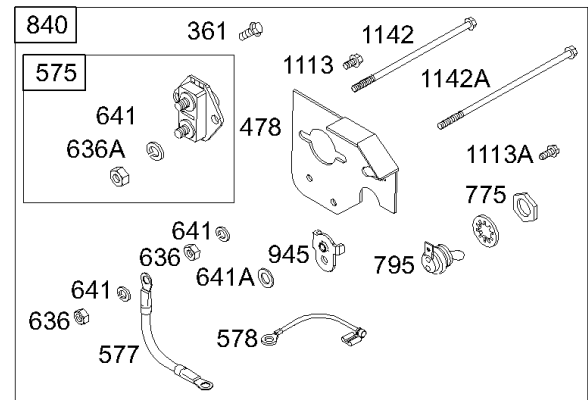
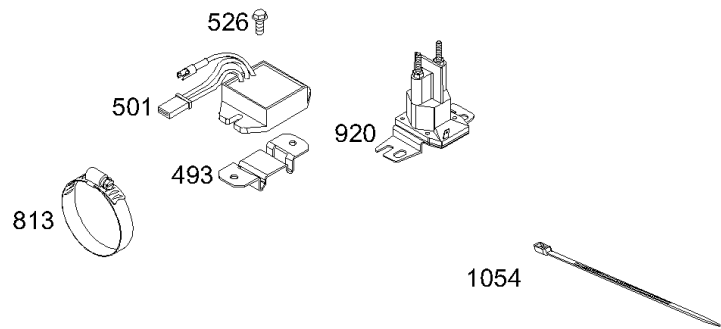
| REF NO | PART NO | QTY | DESCRIPTION  |
|--------|---------|-----|--|
| 836A   | 692198  |     | SCREW<br>-(Muffler Guard)                                |
| 863B   | 690454  |     | BRACKET-MUFFLER  |
| 883    | 692237  |     | GASKET-EXHAUST   |
| 884    | 691956  |     | CLAMP, Muffler   |
| 967    | 492889  |     | FILTER, Pre Cleaner                                      |
| 968    | 691925  |     | COVER, Air Cleaner                                       |
| 971    | 691003  |     | SCREW<br>-(Air Cleaner Base to Carburetor/Throttle Body) |
| 994    | 399541  |     | ARRESTOR, Spark  |
| 1177   | 691105  |     | LOCKNUT<br>-(Muffler)                                    |
| 1302   | 691113  |     | WASHER<br>-(Muffler Guard)                               |

Not For Reproduction

# ALTERNATORS, PANEL KIT, GEAR REDUCTION, WIRES, GASKETS

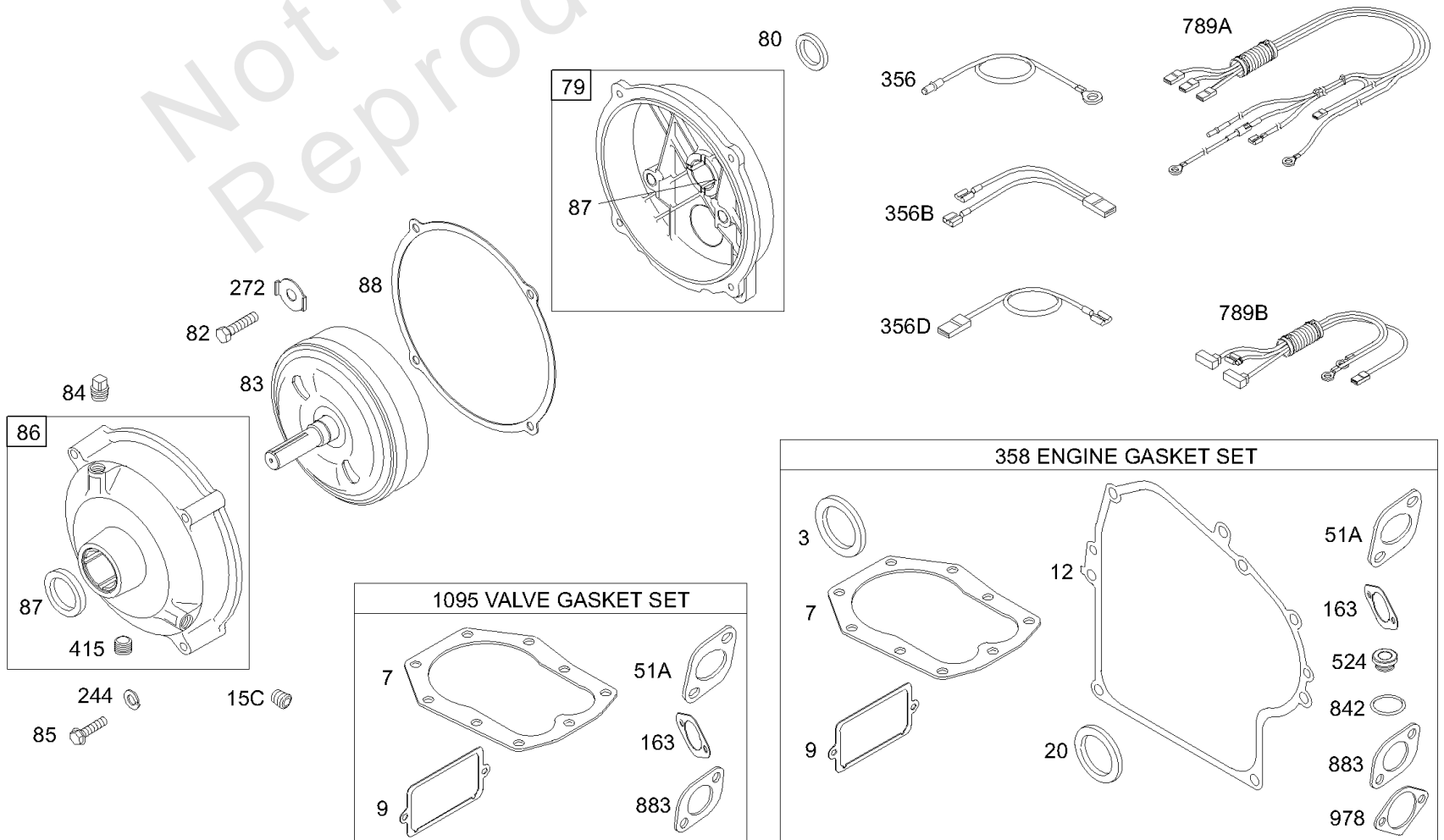
Mfg. No: 196402-0165-01

| DC ONLY               | 10 AMP                | DUAL CIRCUIT          |
|-----------------------|-----------------------|-----------------------|
| SEE FLYWHEEL ASSEMBLY | SEE FLYWHEEL ASSEMBLY | SEE FLYWHEEL ASSEMBLY |
| 474<br>877            | 474B<br>877B          | 474A<br>877A          |
| 1059                  | 1059                  | 1059                  |
| 578A                  | 578A                  | 878                   |



NOTE: ALL OLD STYLE STATORS USE REFERENCE NUMBER 1119 MOUNTING SCREW

Not For Reproduction





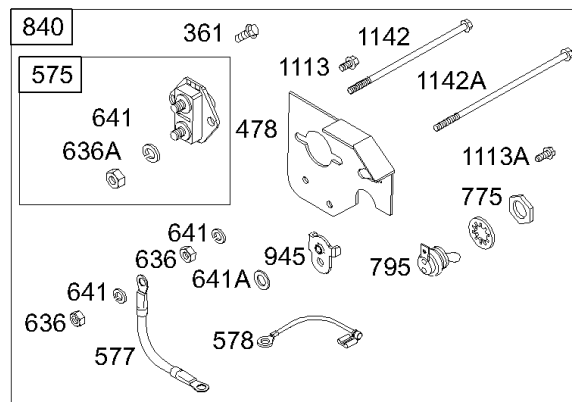
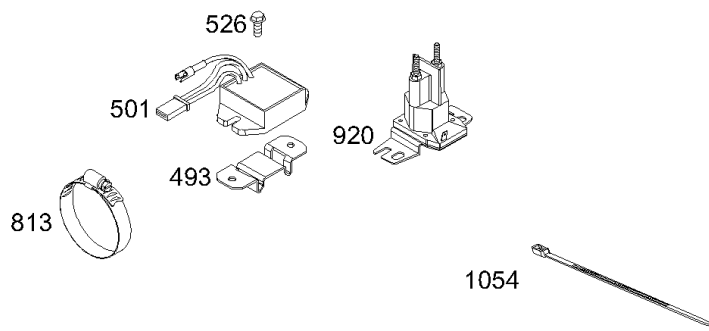
## ALTERNATORS, PANEL KIT, GEAR REDUCTION, WIRES, GASKETS

| REF NO | PART NO | QTY | DESCRIPTION                                     |
|--------|---------|-----|---|
| 3      | 391086S |     | SEAL, Oil<br>-(Magneto Side)                    |
| 7      | 272163S |     | GASKET, Cylinder Head                           |
| 9      | 27803S  |     | GASKET, Breather                                |
| 10     | 691666  |     | SCREW<br>-(Breather Assembly)                   |
| 12     | 27877   |     | GASKET, Crankcase<br>-(.009)                    |
| 12     | 692221  |     | GASKET, Crankcase<br>-(.015)(Standard)          |
| 12     | 27876   |     | GASKET, Crankcase<br>-(.005)                    |
| 15C    | 691682  |     | PLUG-OIL DRAIN<br>-(Hex Socket)(1/4 Diameter)   |
| 20     | 391086S |     | SEAL, Oil<br>-(PTO Side)                        |
| 51A    | 691885  |     | GASKET-INTAKE<br>-(Intake Manifold To Cylinder) |
| 79     | 690614  |     | CASE, Gear Reduction                            |
| 80     | 691603  |     | GASKET, Gear Case                               |
| 82     | 690287  |     | SCREW<br>-(Gear Reduction Case)                 |
| 83     | 690387  |     | SHAFT, Auxiliary Drive                          |
| 84     | 691121  |     | PLUG-BREATHER                                   |
| 85     | 691076  |     | SCREW<br>-(Gear Cover)                          |
| 86     | 690613  |     | COVER, Gear                                     |
| 87     | 391086S |     | SEAL, Oil                                       |
| 88     | 691601  |     | GASKET, Gear Cover/Housing                      |
| 163    | 692277  |     | GASKET-AIR CLEANER<br>-(Air Cleaner)            |
| 244    | 691075  |     | WASHER<br>-(Gear Reduction Case)                |
| 272    | 691168  |     | LOCK, Screw Head                                |
| 356    | 692149  |     | WIRE, Stop                                      |
| 356B   | 398838  |     | WIRE, Stop                                      |
| 356D   | 491927  |     | WIRE, Stop                                      |
| 358    | 497070  |     | GASKET SET, Engine                              |
| 361    | 691681  |     | SCREW<br>-(Starting Switch)                     |
| 415    | 690283  |     | PLUG, Oil<br>-(Gear Cover)                      |
| 474    | 696578  |     | ALTERNATOR<br>-(DC Only)                        |
| 474A   | 696459  |     | ALTERNATOR<br>-(Dual Circuit)                   |
| 474B   | 696458  |     | ALTERNATOR<br>-(10 Amp Regulated)               |
| 478    | 395410  |     | KIT, Panel                                      |
| 493    | 691177  |     | BRACKET, Mounting<br>-(Regulator)               |
| 501    | 691185  |     | REGULATOR<br>-(16 Amp Regulated)                |
| 524    | 281370S |     | SEAL-DIPSTICK TUBE<br>-(Dipstick Tube)          |
| 526    | 690297  |     | SCREW<br>-(Regulator)                           |

# ALTERNATORS, PANEL KIT, GEAR REDUCTION, WIRES, GASKETS

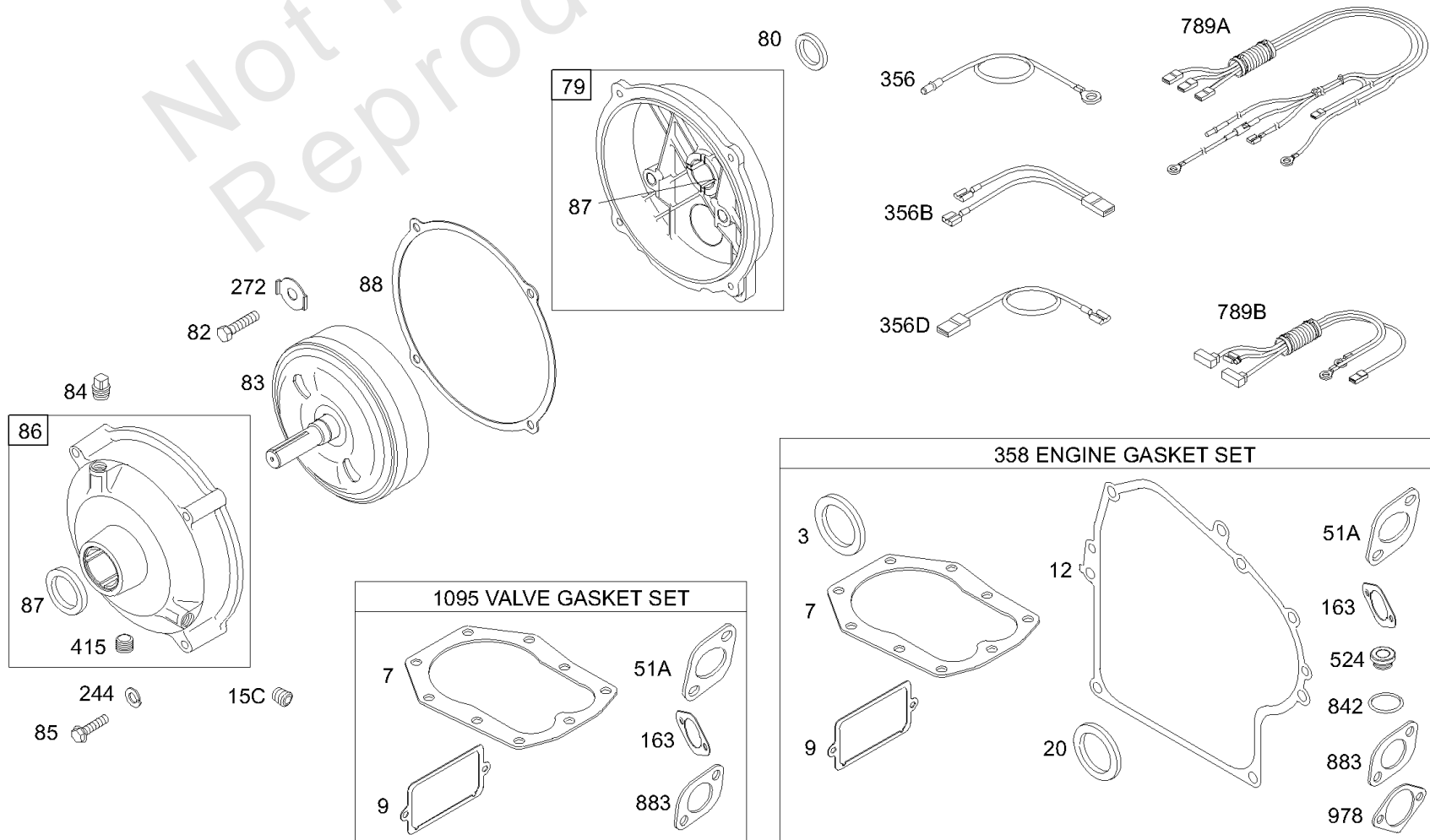
Mfg. No: 196402-0165-01

| DC ONLY               | 10 AMP                | DUAL CIRCUIT          |
|-----------------------|-----------------------|-----------------------|
| SEE FLYWHEEL ASSEMBLY | SEE FLYWHEEL ASSEMBLY | SEE FLYWHEEL ASSEMBLY |
| 474<br>877            | 474B<br>877B          | 474A<br>877A          |
| 1059                  | 1059                  | 1059                  |
| 578A                  | 578A                  | 878                   |



NOTE: ALL OLD STYLE STATORS USE REFERENCE NUMBER 1119 MOUNTING SCREW

Not For Reproduction




## ALTERNATORS, PANEL KIT, GEAR REDUCTION, WIRES, GASKETS

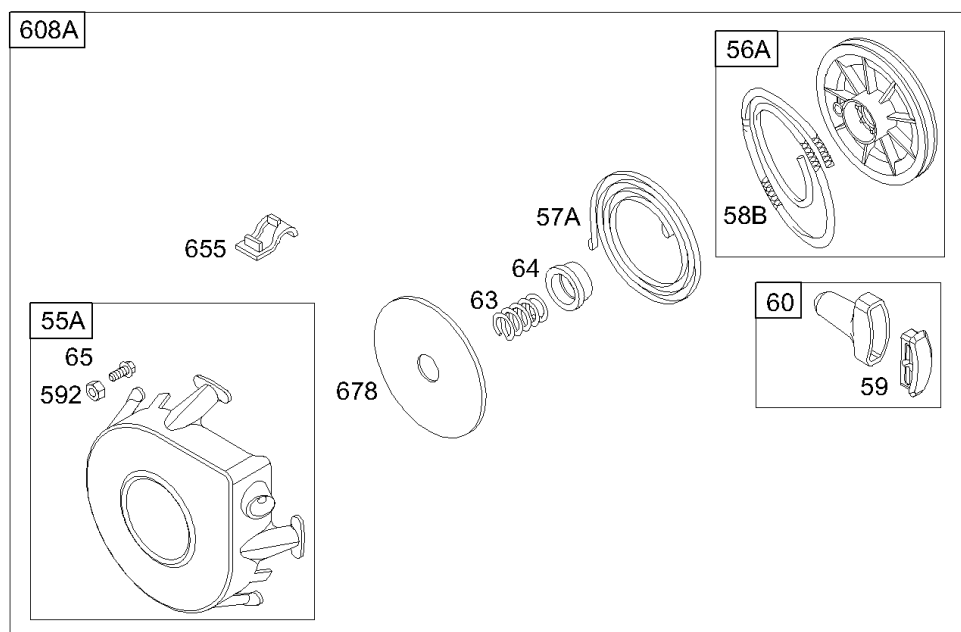
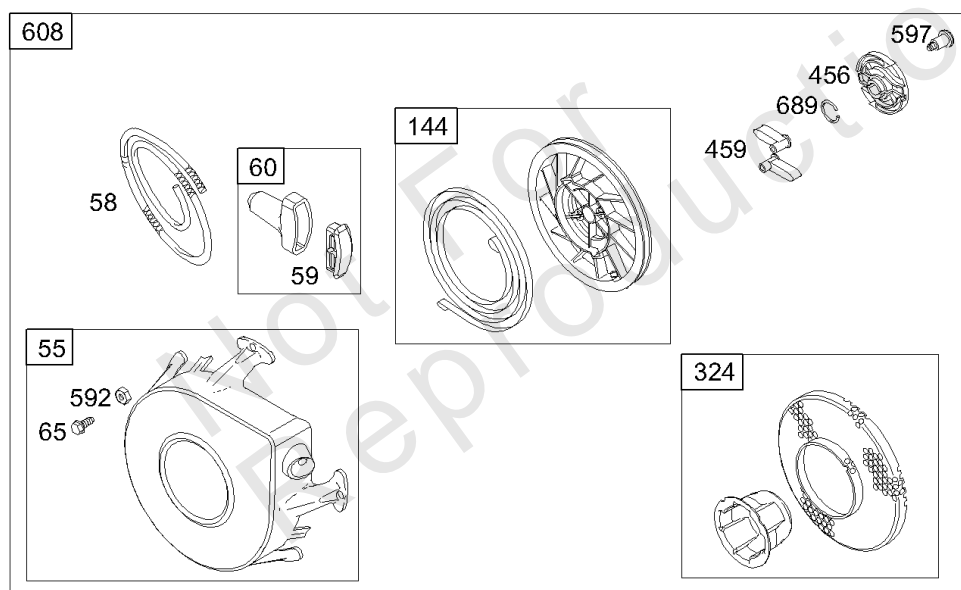
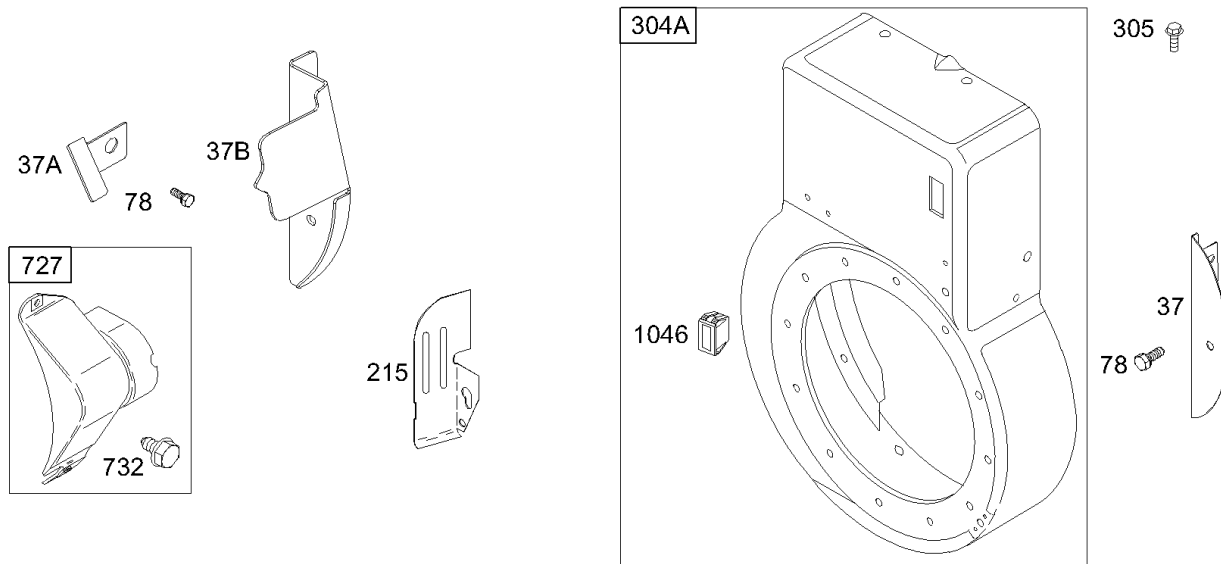
| REF NO | PART NO | QTY | DESCRIPTION   |
|--------|---------|-----|---|
| 575    | 692303  |     | SWITCH-STARTING   |
| 577    | 690630  |     | CABLE, Starter  |
| 578    | 690647  |     | WIRE ASSEMBLY<br>-(Panel Kit)                                       |
| 578A   | 692306  |     | WIRE ASSEMBLY<br>-(Alternator)                                      |
| 636    | 691029  |     | NUT<br>-(Starting Switch)   |
| 636A   | 696198  |     | NUT<br>-(Starting Switch)   |
| 641    | 691075  |     | WASHER<br>-(Starting Switch)  |
| 641A   | 690282  |     | WASHER<br>-(Starting Switch)  |
| 775    | 690315  |     | NUT<br>-(Toggle Switch)   |
| 789A   | 691402  |     | HARNESS, Wiring   |
| 795    | 496590  |     | SWITCH, Toggle  |
| 813    | 690635  |     | CLAMP   |
| 840    | 395408  |     | KIT, Panel<br>-(Toggle Switch)                                      |
| 842    | 691870  |     | SEAL, O-Ring<br>-(Dipstick Tube)                                    |
| 877    | 393814  |     | WIRE/CONNECTOR, Alternator<br>-(10 Amp Regulated)                   |
| 877A   | 393456  |     | WIRE/CONNECTOR, Alternator  |
| 877B   | 399916  |     | WIRE/CONN-ALTERNATOR  |
| 878    | 691237  |     | HARNESS, Alternator   |
| 883    | 692237  |     | GASKET-EXHAUST  |
| 920    | 691656  |     | SOLENOID, Starter   |
| 945    | 692132  |     | BRACKET, Starter Motor  |
| 978    | 273326S |     | GASKET-OIL GARD   |
| 1054   | 280275  |     | TIE, Cable  |
| 1059   | 698516  |     | KIT, Screw/Washer   |
| 1095   | 498534  |     | GASKET SET, Valve   |
| 1113   | 691681  |     | SCREW<br>-(Panel)   |
| 1113A  | 691693  |     | SCREW<br>-(Panel)   |
| 1119   | 691183  |     | SCREW<br>-(Alternator)  |
| 1142   | 690323  |     | SCREW<br>-(Starter Motor Bracket) (4-1/2 Inches Long)               |
| 1142A  | 692329  |     | BOLT<br>-(Starter Motor Bracket) (5-1/3 ) (4 1/2 And 4 3/8 Housing) |

# BLOWER HOUSING, GUARDS, REWIND STARTER

Mfg. No: 196402-0165-01

1036 EMISSIONS LABEL

347 



## **BLOWER HOUSING, GUARDS, REWIND STARTER**

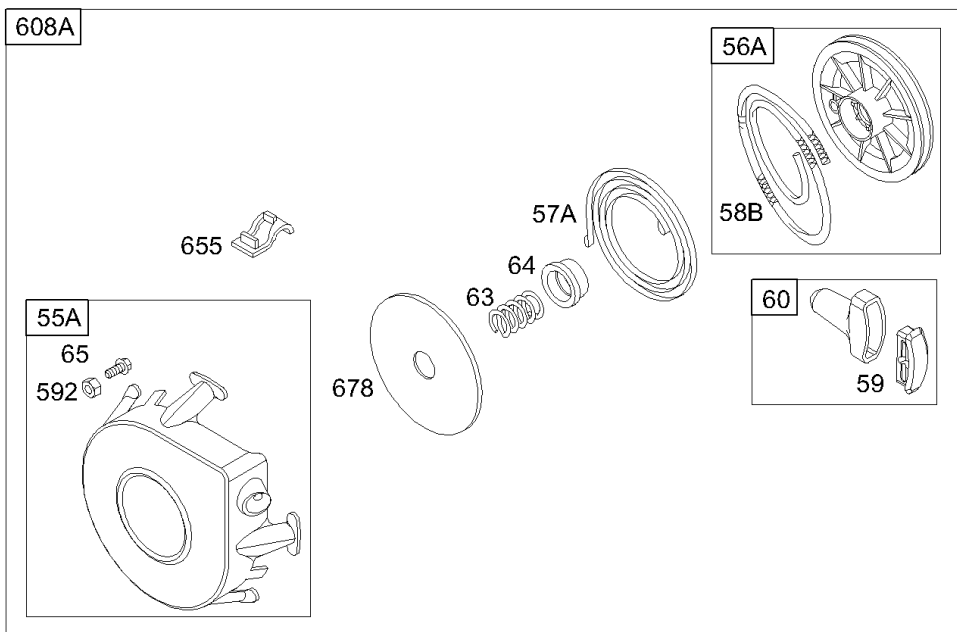
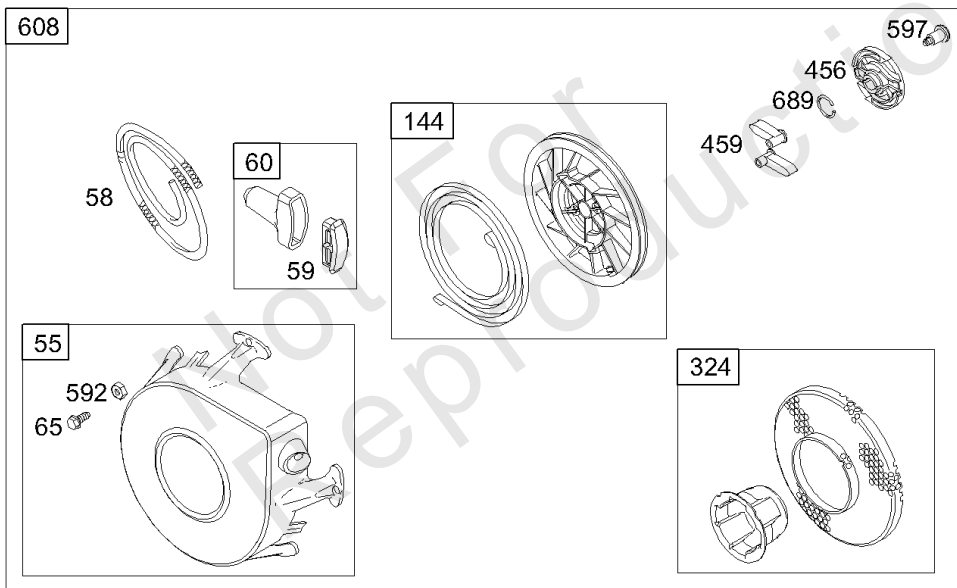
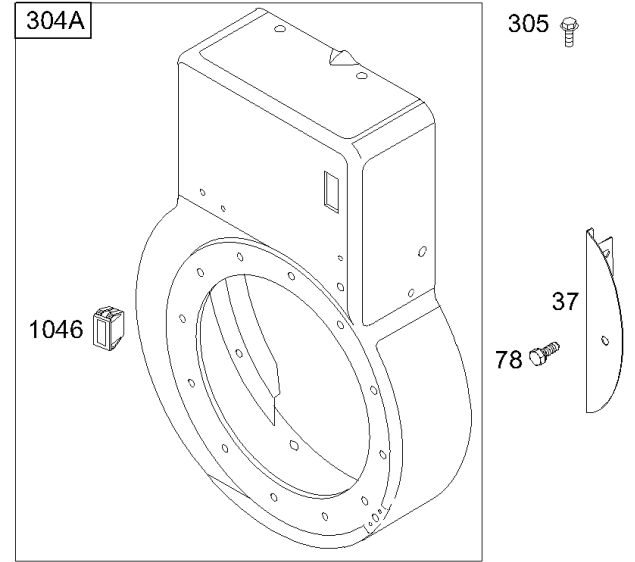
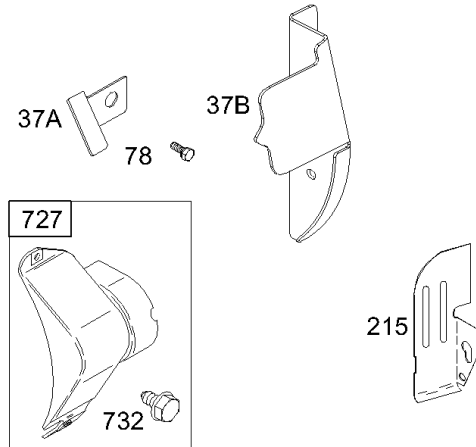
| <b>REF NO</b> | <b>PART NO</b> | <b>QTY</b> | <b>DESCRIPTION</b>  |
|---------------|----------------|------------|---|
| 37            | 690411         |            | GUARD, Flywheel   |
| 37A           | 690488         |            | GUARD, Flywheel   |
| 37B           | 690490         |            | GUARD-FLYWHEEL  |
| 55            | 693904         |            | HOUSING, Rewind Starter<br>-Used After Code Date 99022800         |
| 55A           | 393576         |            | HOUSING, Rewind Starter<br>-Used Before Code Date 99030100        |
| 56A           | 295871         |            | PULLEY, Starter<br>-Used Before Code Date 99030100                |
| 57A           | 490179         |            | SPRING-REWIND STR<br>-Used Before Code Date 99030100              |
| 58            | 693389         |            | ROPE, Starter<br>-(Cut To Required Length) (70 )                  |
| 58B           | 692188         |            | ROPE, Starter<br>-(63 )   |
| 59            | 490653         |            | INSERT, Grip  |
| 60            | 490652         |            | GRIP-STARTER ROPE   |
| 63            | 690547         |            | SPRING, Ratchet<br>-Used Before Code Date 99030100                |
| 64            | 691920         |            | ADAPTER, Ratchet Spring<br>-Used Before Code Date 99030100        |
| 65            | 690837         |            | SCREW<br>-(Rewind Starter)  |
| 66            | 399671         |            | CLUTCH-STARTER<br>-Used Before Code Date 99030100                 |
| 67            | 394897         |            | HOUSING, Clutch<br>-Used Before Code Date 99030100                |
| 68            | 691604         |            | BALL, Clutch<br>-Used Before Code Date 99030100                   |
| 70            | 691945         |            | RATCHET-CLUTCH<br>-Used Before Code Date 99030100                 |
| 71            | 691359         |            | COVER, Ratchet<br>-Used Before Code Date 99030100                 |
| 78            | 690364         |            | SCREW<br>-(Flywheel Guard)  |
| 144           | 697843         |            | PULLEY/SPRING ASSEMBLY  |
| 215           | 691170         |            | GUIDE, Air  |
| 257           | 691660         |            | SCREW<br>-(Starter Clutch)<br>-Used Before Code Date 99030100     |
| 304A          | 497142         |            | HOUSING, Blower<br>-(Rewind Start)                                |
| 305           | 692198         |            | SCREW<br>-(Blower Housing)  |
| 324           | 695160         |            | SCREEN/CUP ASSEMBLY<br>-Used After Code Date 99022800             |
| 347           | 495098S        |            | SWITCH, Rocker  |
| 456           | 692299         |            | PLATE-PAWL FRICTION<br>-Used After Code Date 99022800             |
| 459           | 281505S        |            | PAWL-RATCHET<br>-Used After Code Date 99022800                    |
| 592           | 690800         |            | NUT<br>-(Rewind Starter)  |
| 597           | 691696         |            | SCREW<br>-(Pawl Friction Plate)<br>-Used After Code Date 99022800 |
| 608           | 693900         |            | STARTER, Rewind<br>-(70 )<br>-Used After Code Date 99022800       |

# BLOWER HOUSING, GUARDS, REWIND STARTER

Mfg. No: 196402-0165-01

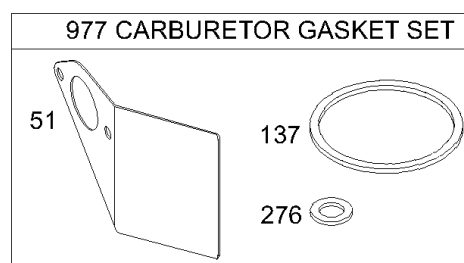
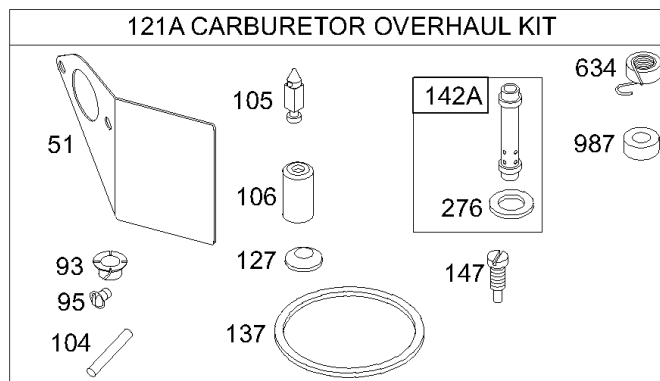
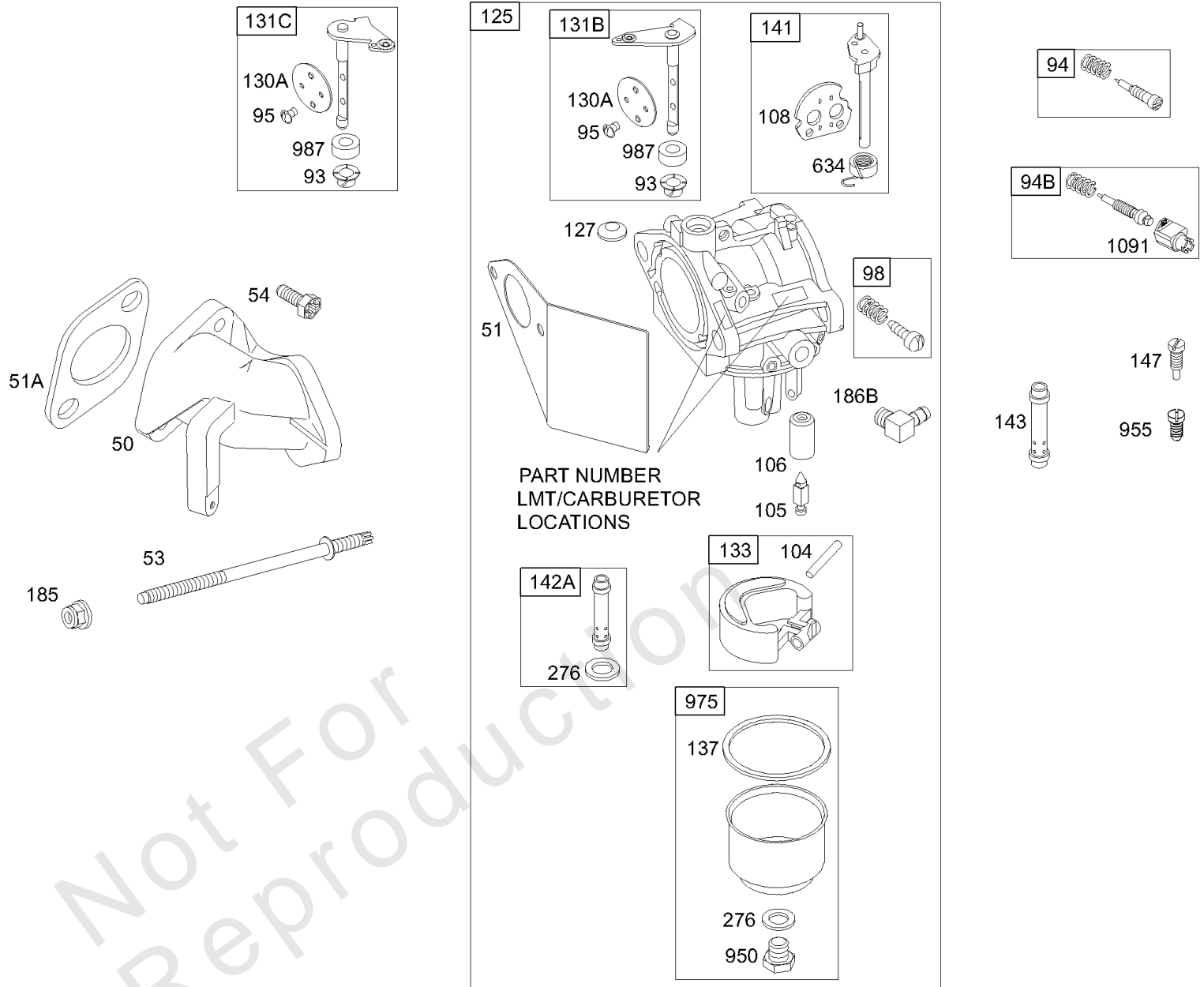
1036 EMISSIONS LABEL

347 



## **BLOWER HOUSING, GUARDS, REWIND STARTER**

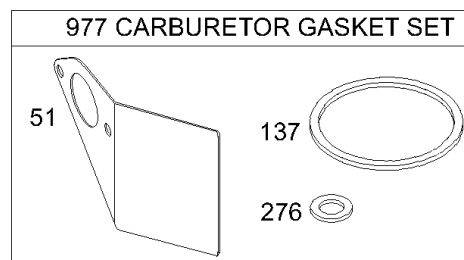
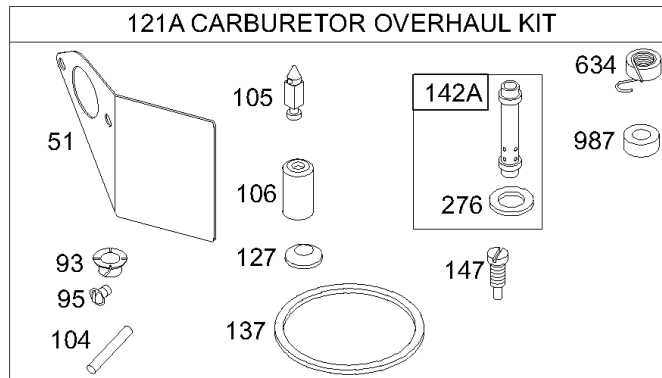
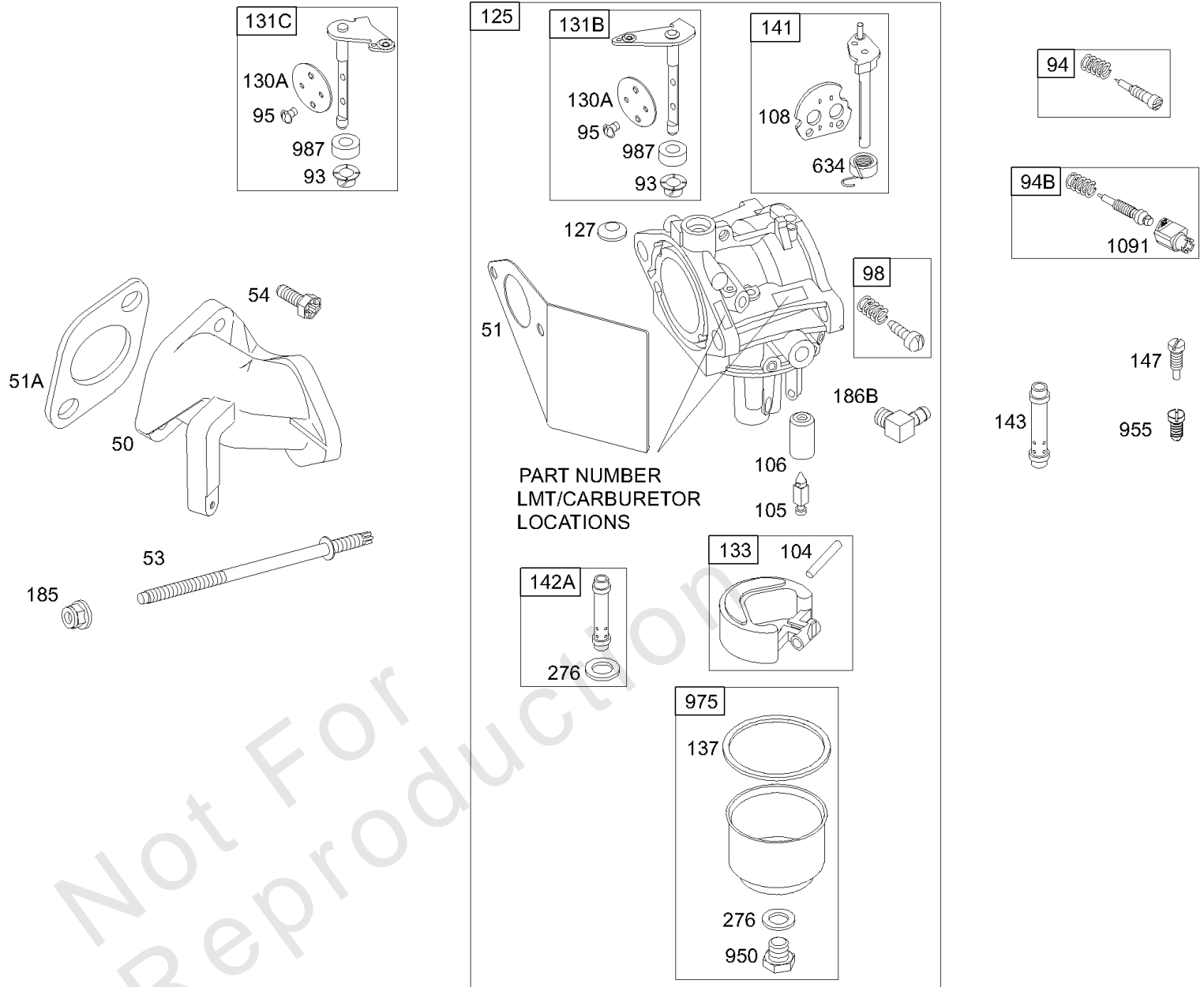
| <b>REF NO</b> | <b>PART NO</b> | <b>QTY</b> | <b>DESCRIPTION</b>   |
|---------------|----------------|------------|--|
| 608A          | 390391         |            | STARTER, Rewind<br>-(63 )<br>-Used Before Code Date 99030100   |
| 655           | 691734         |            | ANCHOR-REWIND SPRING<br>-Used Before Code Date 99030100  |
| 668           | 690500         |            | SPACER<br>-Used Before Code Date 99030100  |
| 678           | 490817         |            | SPACER-REWIND<br>-(Rewind)<br>-Used Before Code Date 99030100  |
| 689           | 691855         |            | SPRING-FRICTION<br>-Used After Code Date 99022800  |
| 727           | 395405         |            | COVER, Starter Drive   |
| 732           | 691097         |            | SCREW<br>-(Starter Drive Cover)  |
| 1036          | 694988         |            | LABEL, Emissions<br>-Used After Code Date 99093000<br>-Used Before Code Date 00070100                |
| 1036          | 694313         |            | LABEL, Emissions<br>-Used After Code Date 98123100<br>-Used Before Code Date 99100100                |
| 1036          | 499354         |            | LABEL, Emissions<br>-Used After Code Date 97052500<br>-Used Before Code Date 99010100                |
| 1036          | 499353         |            | LABEL, Emissions<br>-Used Before Code Date 97052600  |
| 1036          | 696768         |            | LABEL, Emissions<br>-Used After Code Date 01073000   |
| 1036          | 695696         |            | LABEL, Emissions<br>-Used After Code Date 00063000<br>-Used Before Code Date 01073100                |
| 1046          | 691337         |            | PLUG, Blower Housing   |
| 1210          | 498144         |            | PULLEY/SPRING ASSY<br>-(Pulley)<br>-Used After Code Date 00082000<br>-Used Before Code Date 01051100 |
| 1211          | 498144         |            | PULLEY/SPRING ASSY<br>-(Spring)<br>-Used After Code Date 00082000<br>-Used Before Code Date 01051100 |





## CARBURETOR

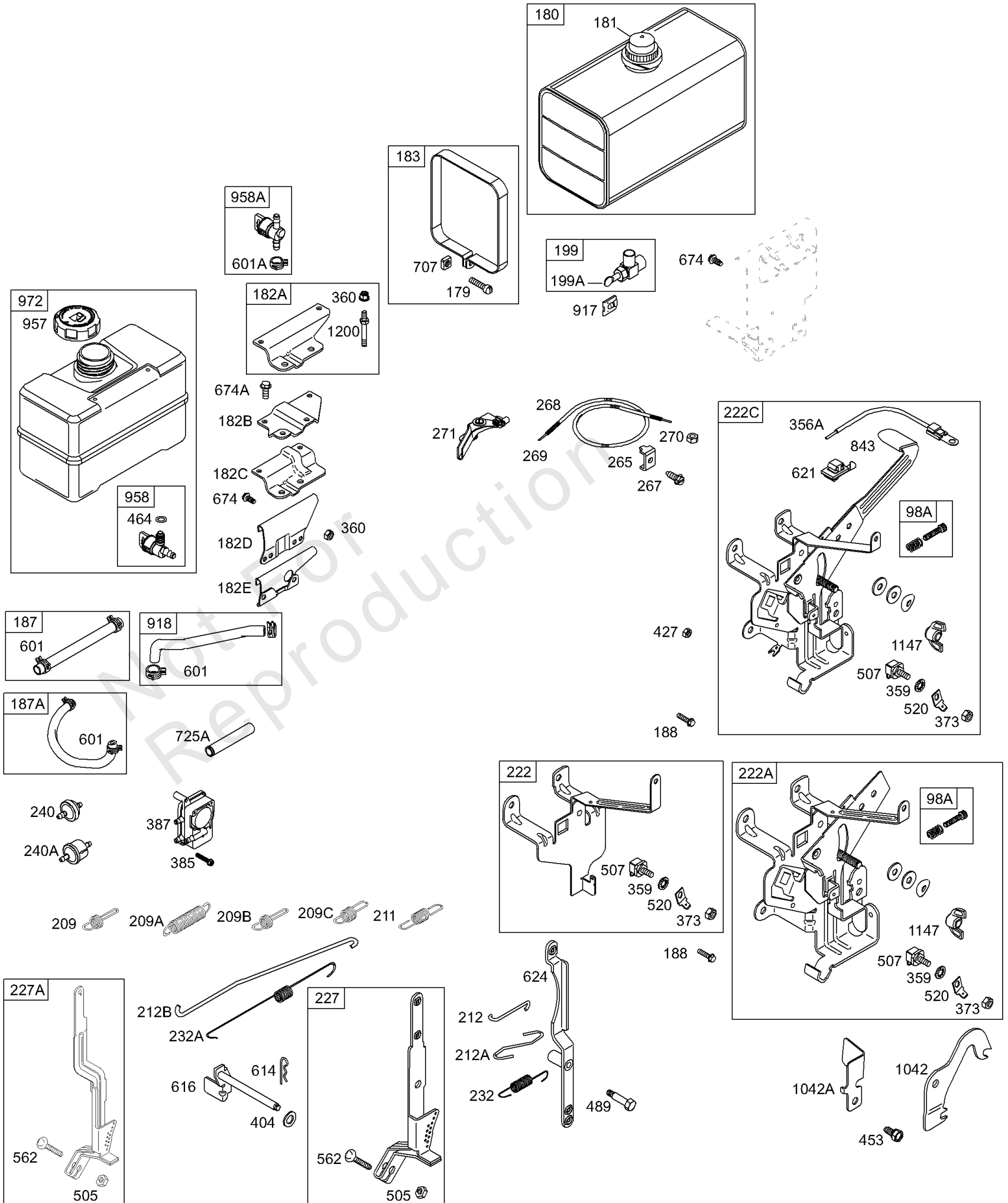
| REF NO | PART NO | QTY | DESCRIPTION   |
|--------|---------|-----|---|
| 50     | 691157  |     | MANIFOLD, Intake  |
| 51     | 691886  |     | GASKET, Intake<br>-(Intake Manifold To Carburetor)              |
| 51A    | 691885  |     | GASKET-INTAKE<br>-(Intake Manifold To Cylinder)                 |
| 53     | 691672  |     | INSULATOR<br>-(Carburetor)                                      |
| 54     | 93208   |     | SCREW<br>-(Intake Manifold)                                     |
| 93     | 690602  |     | BUSHING, Throttle Shaft   |
| 94     | 494383  |     | KIT, Idle Mixture<br>-(Lmt 71,101,102,113,114,116)              |
| 94B    | 498836  |     | KIT, Idle Mixture<br>-(LMT 119)                                 |
| 95     | 691636  |     | SCREW<br>-(Throttle Valve)                                      |
| 98     | 495800  |     | KIT, Idle Speed<br>-(Carburetor)                                |
| 104    | 690525  |     | PIN, Float Hinge  |
| 105    | 691782  |     | VALVE, Float Needle   |
| 106    | 691780  |     | SEAT, Inlet   |
| 108    | 692344  |     | VALVE, Choke  |
| 121A   | 497578  |     | KIT, Carburetor Overhaul  |
| 125    | 497581  |     | CARBURETOR<br>-(LMT 115, 171)<br>-Used After Code Date 94083100 |
| 125    | 497038  |     | CARBURETOR<br>-(LMT 69, 103)<br>-Used Before Code Date 94090100 |
| 127    | 694524  |     | PLUG, Welch   |
| 130A   | 690468  |     | VALVE, Throttle   |
| 131B   | 693602  |     | KIT, Throttle Shaft<br>-Used After Code Date 94083100           |
| 131C   | 497042  |     | KIT, Throttle Shaft<br>-Used Before Code Date 94090100          |
| 133    | 494381  |     | FLOAT, Carburetor   |
| 137    | 281165S |     | GASKET, Float Bowl  |
| 141    | 497043  |     | KIT, Choke Shaft  |
| 142A   | 690121  |     | NOZZLE-CARBURETOR<br>-(LMT 190)                                 |
| 142A   | 499094  |     | NOZZLE, Carburetor<br>-(LMT 171)                                |
| 142A   | 497196  |     | NOZZLE, Carburetor<br>-(LMT 69, 103, 115)                       |
| 142A   | 691430  |     | NOZZLE, Carburetor<br>-(LMT 119)                                |
| 143    | 497660  |     | NOZZLE, Carburetor<br>-(High Altitude) (LMT 119)                |
| 143    | 499111  |     | NOZZLE, Carburetor<br>-(High Altitude) (LMT 171)                |
| 143    | 690122  |     | NOZZLE, Carburetor<br>-(High Altitude) (LMT 190)                |
| 143    | 497040  |     | NOZZLE, Carburetor<br>-(High Altitude) (LMT 69, 103, 115)       |
| 147    | 497472  |     | JET, Pilot<br>-(LMT 69, 103, 115)                               |
| 147    | 691258  |     | JET, Pilot<br>-(LMT 119)  |



## CARBURETOR

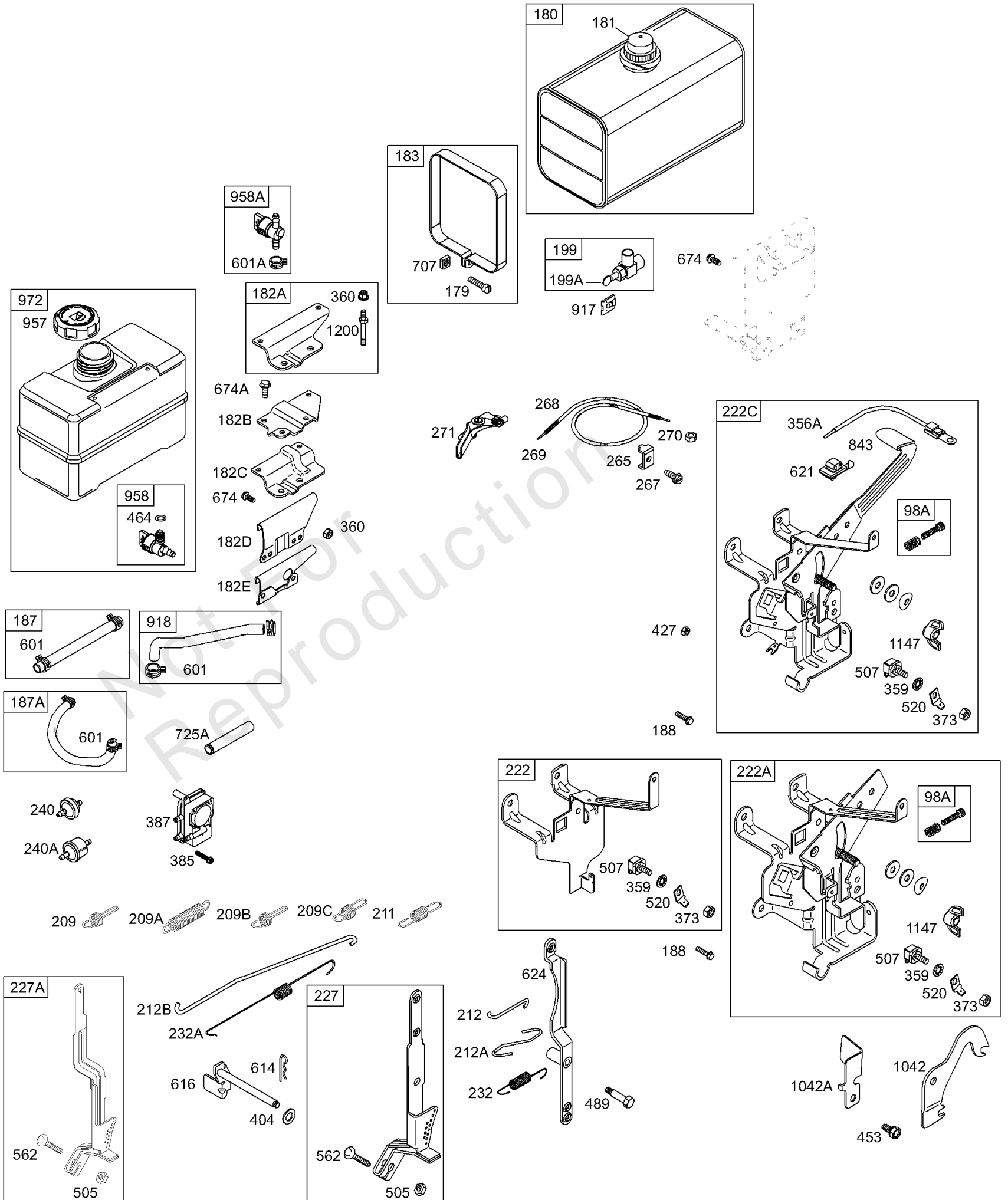
| REF NO | PART NO | QTY | DESCRIPTION                     |
|--------|---------|-----|---------------------------------|
| 185    | 690958  |     | NUT<br>-(Air Cleaner Base)      |
| 186B   | 692317  |     | CONNECTOR-HOSE<br>-(Carburetor) |
| 276    | 692255  |     | WASHER, Sealing                 |
| 634    | 690802  |     | SPRING/SEAL ASSEMBLY            |
| 950    | 691657  |     | SCREW<br>-(Float Bowl)          |
| 955    | 695659  |     | PLUG, Carburetor                |
| 975    | 495933  |     | BOWL, Float<br>-(Float Bowl)    |
| 977    | 497069  |     | SET, Carburetor Gasket          |
| 987    | 691326  |     | SEAL, Choke/Throttle Shaft      |
| 1091   | 691333  |     | CAP, Limiter                    |

Not For Reproduction



## CONTROLS, SPRINGS, FUEL TANK, HOSES

| REF NO | PART NO | QTY | DESCRIPTION   |
|--------|---------|-----|---|
| 98A    | 493280  |     | KIT-IDLE SPEED<br>-(Control Bracket)  |
| 179    | 690280  |     | SCREW<br>-(Fuel Tank Strap)   |
| 180    | 291488  |     | TANK, Fuel<br>-(Metal) (6 Quart)  |
| 181    | 392305S |     | CAP, Fuel Tank<br>-(Metal)  |
| 182A   | 495664  |     | BRACKET, Fuel Tank<br>-(Upper)  |
| 182B   | 691199  |     | BRACKET-FUEL TANK   |
| 182D   | 694592  |     | BRACKET-FUEL TANK   |
| 182C   | 695451  |     | BRACKET, Fuel Tank  |
| 182E   | 690486  |     | BRACKET, Fuel Tank  |
| 183    | 691937  |     | STRAP-FUEL TANK   |
| 187    | 296004  |     | LINE, Fuel<br>-(Cut To Required Length)   |
| 187A   | 497029  |     | LINE, Fuel<br>-(Molded)   |
| 188    | 691693  |     | SCREW<br>-(Control Bracket)   |
| 199    | 692302  |     | VALVE, Fuel Shut Off  |
| 199A   | 691940  |     | VALVE, Fuel Shut Off  |
| 209    | 692136  |     | SPRING-GOVERNOR<br>-(Yellow)<br>-Used After Code Date 97042700                        |
| 209A   | 260723  |     | SPRING, Governor<br>-Used Before Code Date 94090100                                   |
| 209B   | 691309  |     | SPRING, Governor<br>-(Blue)<br>-Used After Code Date 97042700                         |
| 209C   | 263054  |     | SPRING, Governor<br>-Used After Code Date 94083100<br>-Used Before Code Date 97042800 |
| 211    | 691307  |     | SPRING, Governed Idle   |
| 212    | 691853  |     | LINK, Throttle<br>-(Linkage Lever To Throttle Shaft)                                  |
| 212A   | 691854  |     | LINK, Throttle<br>-(Governor Control Lever To Linkage Lever)                          |
| 212B   | 262970  |     | LINK, Throttle<br>-(Governor Control Lever To Throttle Shaft)                         |
| 222A   | 497076  |     | BRACKET, Control<br>-Used Before Code Date 97042800                                   |
| 222A   | 691480  |     | BRACKET, Control<br>-Used After Code Date 97042700                                    |
| 222C   | 691478  |     | BRACKET, Control<br>-Used After Code Date 97042700                                    |
| 222C   | 499722  |     | BRACKET, Control<br>-Used Before Code Date 97042800                                   |
| 227    | 692143  |     | LEVER, Governor Control<br>-(Short Lever)   |
| 227A   | 496253  |     | LEVER, Governor Control<br>-(Long Lever)  |
| 232    | 691848  |     | SPRING/LINK, Governor   |
| 232A   | 691846  |     | SPRING/LINK, Governor   |
| 240    | 394358S |     | FILTER, Fuel  |
| 265    | 691024  |     | CLAMP, Casing   |
| 267    | 690804  |     | SCREW<br>-(Casing Clamp)  |



## CONTROLS, SPRINGS, FUEL TANK, HOSES

| REF NO | PART NO | QTY | DESCRIPTION                                       |
|--------|---------|-----|---|
| 268    | 691025  |     | CASING, Control Wire<br>-(Cut To Required Length) |
| 269    | 691026  |     | WIRE, Control<br>-(Cut To Required Length)        |
| 270    | 691027  |     | NUT<br>-(Control Wire Casing)                     |
| 271    | 691028  |     | LEVER, Control                                    |
| 356A   | 691408  |     | WIRE, Stop  |
| 359    | 691077  |     | WASHER<br>-(Ground Terminal)                      |
| 360    | 691105  |     | LOCKNUT<br>-(Fuel Tank Bracket)                   |
| 373    | 691612  |     | NUT<br>-(Ground Terminal)                         |
| 385    | 691673  |     | SCREW<br>-(Fuel Pump)                             |
| 387    | 692026  |     | PUMP, Fuel  |
| 404    | 691691  |     | WASHER<br>-(Governor Crank)                       |
| 427    | 690355  |     | NUT<br>-(Control Bracket)                         |
| 453    | 691131  |     | SCREW<br>-(Electromagnetic Bracket)               |
| 464    | 691898  |     | SEAL, O-Ring<br>-(Fuel Shut-off Valve)            |
| 489    | 691776  |     | SCREW<br>-(Linkage Lever)                         |
| 505    | 691251  |     | NUT<br>-(Governor Control Lever)                  |
| 507    | 691972  |     | INSULATOR   |
| 520    | 691084  |     | TERMINAL, Ground                                  |
| 562    | 691119  |     | BOLT<br>-(Governor Control Lever)                 |
| 601    | 95162S  |     | CLAMP, Hose                                       |
| 601A   | 691038  |     | CLAMP, Hose                                       |
| 614    | 691620  |     | PIN, Cotter                                       |
| 616    | 691405  |     | CRANK, Governor                                   |
| 621    | 692310  |     | SWITCH, Stop                                      |
| 624    | 691415  |     | LEVER, Linkage                                    |
| 674    | 691058  |     | SCREW<br>-(Fuel Tank Bracket)                     |
| 674A   | 690708  |     | SCREW<br>-(Fuel Tank Bracket)                     |
| 707    | 690279  |     | NUT<br>-(Fuel Tank Strap)                         |
| 843    | 691322  |     | SLEEVE, Lever<br>-(Control Bracket)               |
| 917    | 691737  |     | VALVE, Handle Shutoff                             |
| 918    | 497457  |     | HOSE, Vacuum<br>-(Molded)                         |
| 957    | 493988S |     | CAP, Fuel Tank<br>-(Plastic)                      |
| 958    | 698182  |     | VALVE, Fuel Shut Off                              |
| 958A   | 698183  |     | VALVE, Fuel Shut Off                              |
| 972    | 691993  |     | TANK, Fuel<br>-(4 Quart)                          |
| 972    | 695164  |     | TANK, Fuel<br>-(6 Quart)                          |





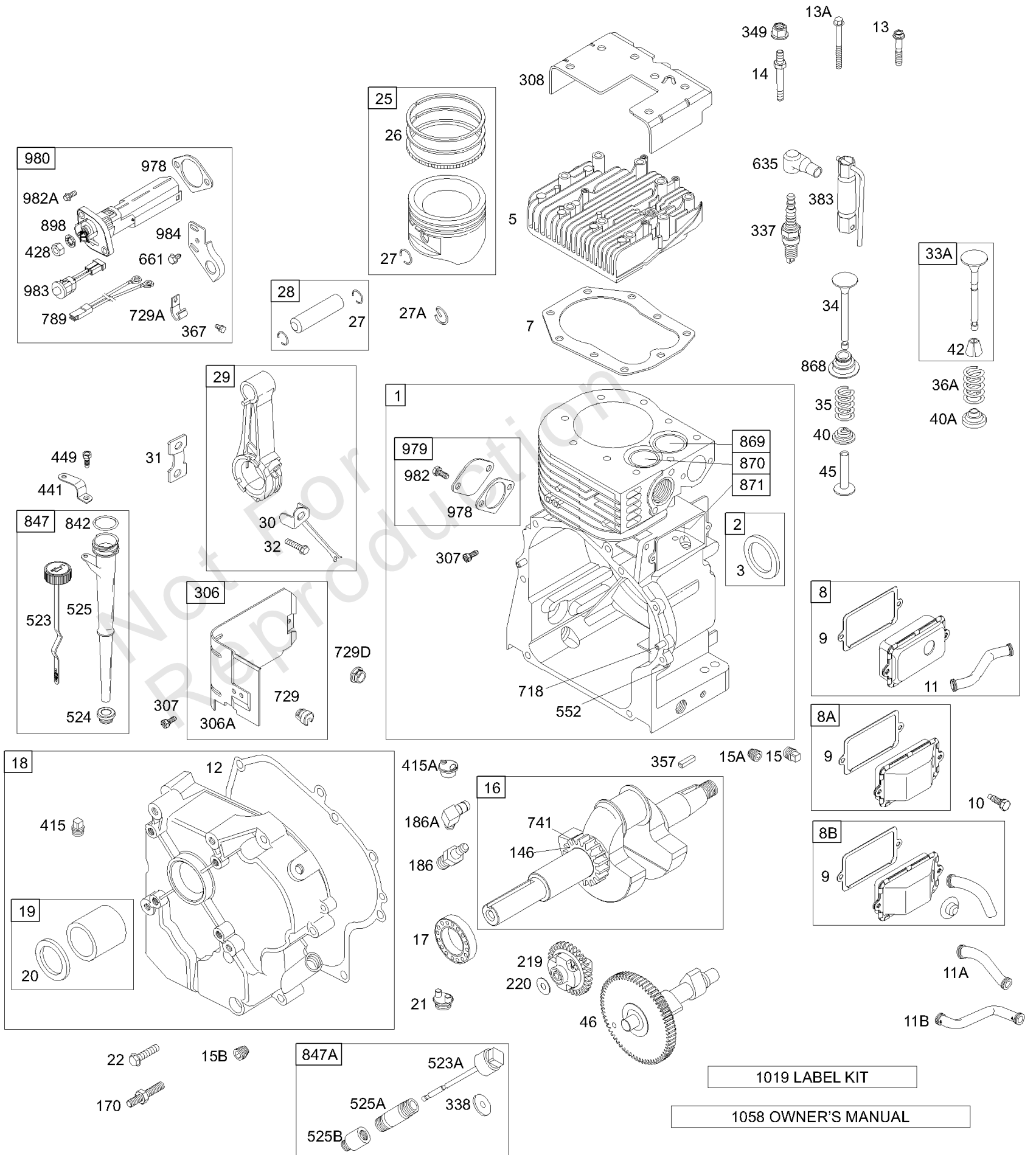
## **CONTROLS, SPRINGS, FUEL TANK, HOSES**

| REF NO | PART NO | QTY | DESCRIPTION                  |
|--------|---------|-----|------------------------------|
| 1042   | 692870  |     | BRACKET, Electromagnetic     |
| 1042A  | 691229  |     | BRACKET, Electromagnetic     |
| 1147   | 690355  |     | NUT<br>-(Control Bracket)    |
| 1200   | 691690  |     | STUD<br>-(Fuel Tank Bracket) |

Not For Reproduction

# CRANKCASE COVER, CRANKSHAFT, BREATHER, CYLINDER, PISTONS, OIL

Mfg. No: 196402-0165-01



1019 LABEL KIT

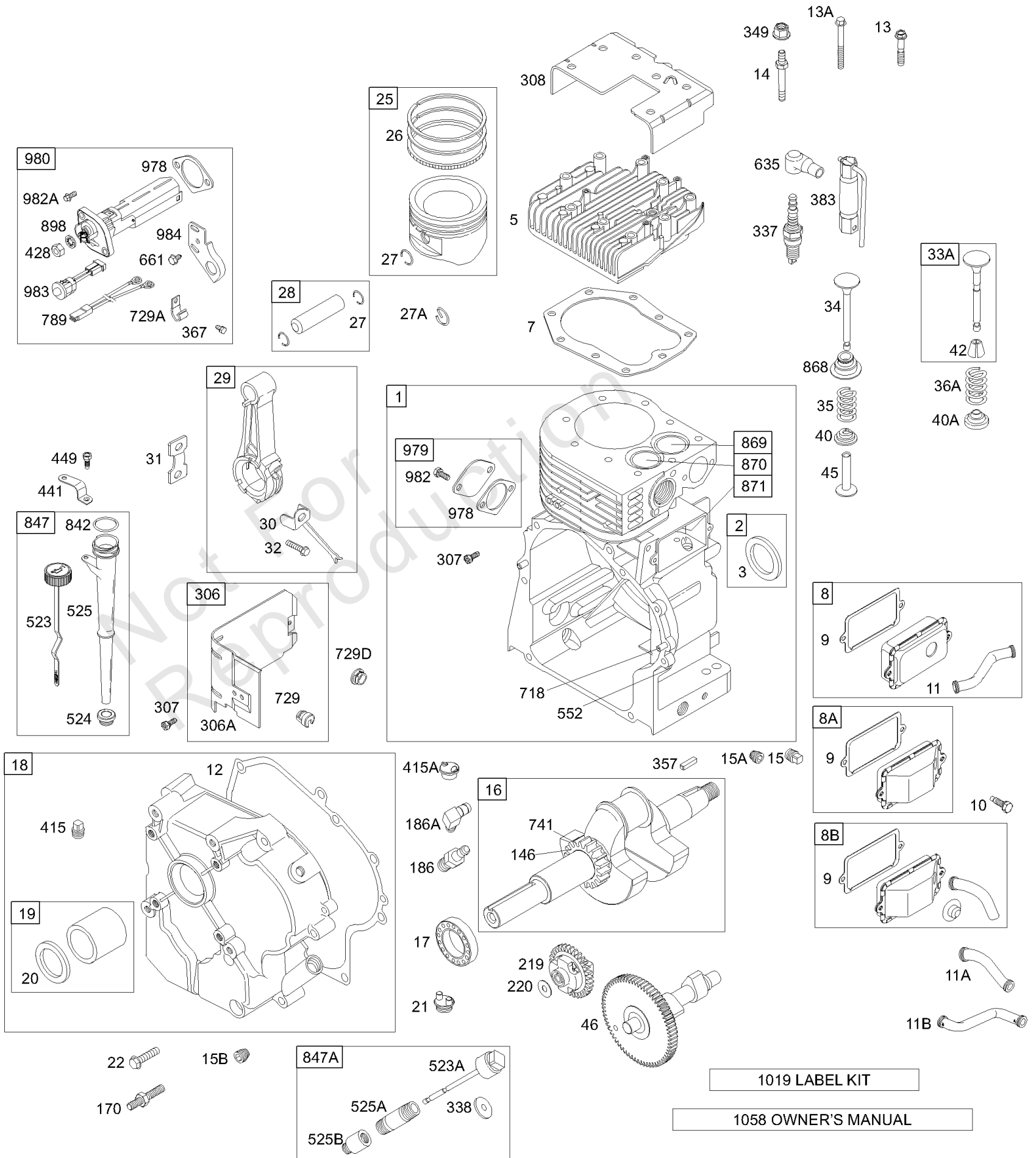
1058 OWNER'S MANUAL

## CRANKCASE COVER, CRANKSHAFT, BREATHER, CYLINDER, PISTONS, OIL

| REF NO | PART NO | QTY | DESCRIPTION  |
|--------|---------|-----|--|
| 1      | 495656  |     | CYLINDER ASSEMBLY<br>-(Includes Oil Gard Cover)  |
| 2      | 495657  |     | KIT, Bushing/Seal<br>-(Magneto Side)   |
| 3      | 391086S |     | SEAL, Oil<br>-(Magneto Side)   |
| 5      | 691715  |     | HEAD, Cylinder   |
| 7      | 272163S |     | GASKET, Cylinder Head  |
| 8      | 498038  |     | BREATHER ASSEMBLY<br>-Used After Code Date 95040200                                    |
| 8A     | 495736  |     | BREATHER ASSEMBLY<br>-Used After Code Date 95010100<br>-Used Before Code Date 95040300 |
| 8B     | 497710  |     | BREATHER ASSEMBLY<br>-Used Before Code Date 95010200                                   |
| 9      | 27803S  |     | GASKET, Breather   |
| 10     | 691666  |     | SCREW<br>-(Breather Assembly)  |
| 11     | 691907  |     | TUBE, Breather<br>-Used After Code Date 95040200                                       |
| 11A    | 691899  |     | TUBE, Breather<br>-Used After Code Date 95010100<br>-Used Before Code Date 95040300    |
| 11B    | 281426  |     | TUBE, Breather<br>-Used Before Code Date 95010200                                      |
| 12     | 27876   |     | GASKET, Crankcase<br>-(.005)   |
| 12     | 27877   |     | GASKET, Crankcase<br>-(.009)   |
| 12     | 692221  |     | GASKET, Crankcase<br>-(.015)(Standard)   |
| 13     | 691651  |     | SCREW<br>-(Cylinder Head) (2 1/2 )   |
| 13A    | 690904  |     | SCREW<br>-(Cylinder Head) (3 )   |
| 14     | 691109  |     | STUD<br>-(Cylinder Head) (3 )  |
| 14     | 691690  |     | STUD<br>-(Cylinder Head) (2 1/2 )  |
| 15     | 690946  |     | PLUG, Oil Drain<br>-(Opposite Side of Carburetor)                                      |
| 15     | 690289  |     | PLUG, Oil Drain<br>-(Carburetor Side)  |
| 15A    | 691680  |     | PLUG, Oil Drain<br>-(Square Socket)  |
| 15B    | 690343  |     | PLUG, Oil Drain<br>-(Hex Socket)(1/8 Dlameter)   |
| 16     | 499531  |     | CRANKSHAFT   |
| 17     | 691069  |     | BEARING, Ball  |
| 18     | 496982  |     | COVER, Crankcase   |
| 19     | 295964  |     | KIT, Bushing/Seal<br>-(PTO Side)   |
| 20     | 391086S |     | SEAL, Oil<br>-(PTO Side)   |
| 21     | 281658S |     | CAP-OIL FILL   |
| 22     | 693972  |     | SCREW<br>-(Crankcase Cover/Sump)   |
| 25     | 499960  |     | PISTON ASSEMBLY<br>-(Standard)   |

# CRANKCASE COVER, CRANKSHAFT, BREATHER, CYLINDER, PISTONS, OIL

Mfg. No: 196402-0165-01



1019 LABEL KIT

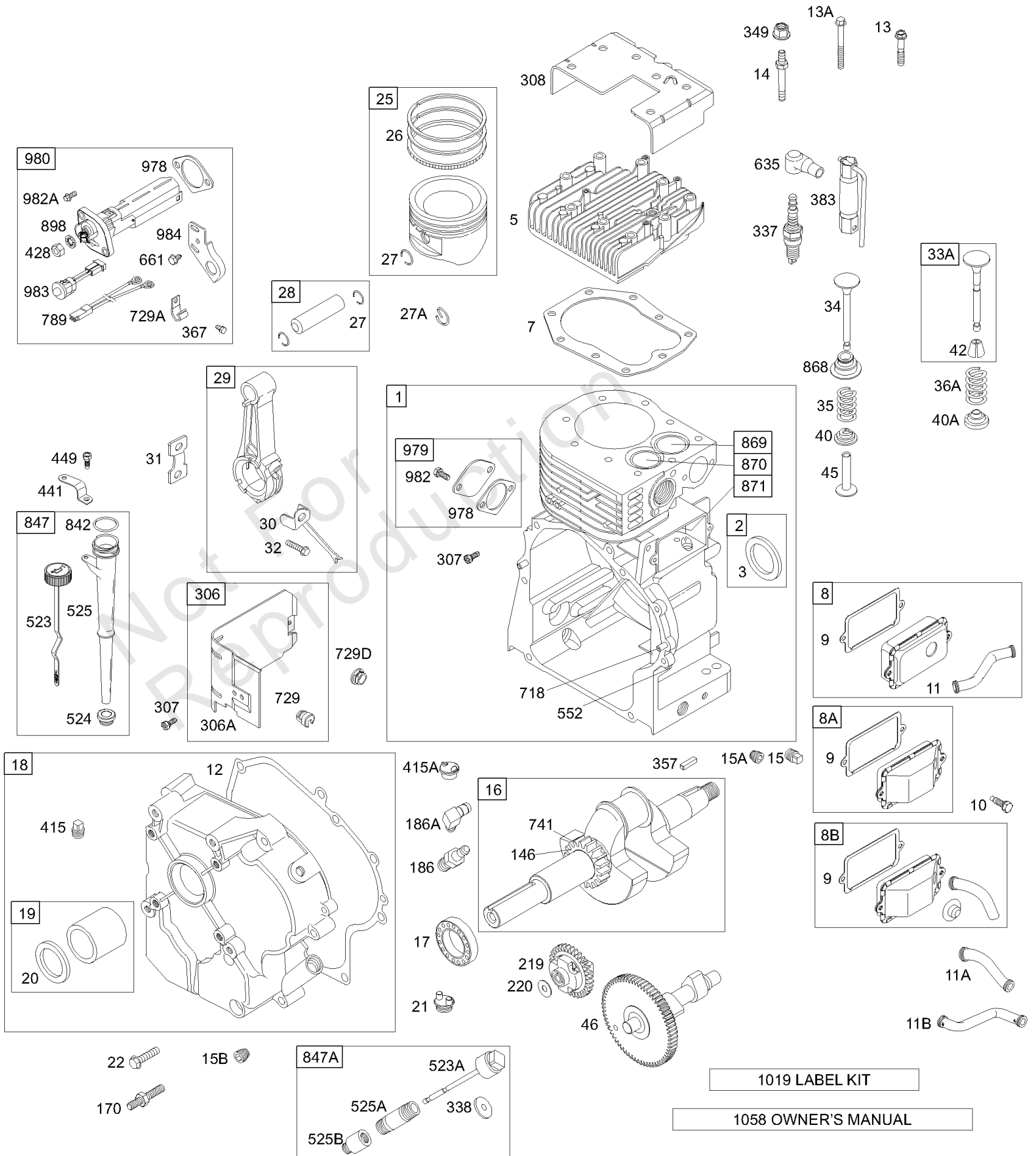
1058 OWNER'S MANUAL

## CRANKCASE COVER, CRANKSHAFT, BREATHER, CYLINDER, PISTONS, OIL

| REF NO | PART NO | QTY | DESCRIPTION   |
|--------|---------|-----|---|
| 25     | 499962  |     | PISTON ASSEMBLY<br>-(.020 Oversize)                 |
| 26     | 690016  |     | SET, Ring<br>-(.020 Oversize)                       |
| 26     | 299743  |     | SET, Ring<br>-(Standard)(Chrome)                    |
| 26     | 690014  |     | SET, Ring<br>-(Standard)                            |
| 27     | 690975  |     | LOCK, Piston Pin<br>-Used After Code Date 96102700  |
| 27A    | 691073  |     | LOCK, Piston Pin<br>-Used Before Code Date 96102800 |
| 28     | 499302  |     | PIN, Piston<br>-(Standard)                          |
| 28     | 499303  |     | PIN, Piston<br>-(.005 Oversize)                     |
| 29     | 390401  |     | ROD, Connecting<br>-(Standard)                      |
| 29     | 390773  |     | ROD, Connecting<br>-(.020 Undersize)                |
| 30     | 691728  |     | DIPPER, Connecting Rod                              |
| 31     | 222114  |     | LOCK, Rod Screw                                     |
| 32     | 690352  |     | SCREW<br>-(Connecting Rod)                          |
| 33A    | 691794  |     | VALVE, Exhaust                                      |
| 34     | 261055S |     | VALVE, Intake                                       |
| 35     | 691605  |     | SPRING, Valve<br>-(Intake)                          |
| 36A    | 691597  |     | SPRING, Valve<br>-(Exhaust)                         |
| 40     | 690656  |     | RETAINER, Valve<br>-(Intake)                        |
| 40A    | 691939  |     | RETAINER-VALVE<br>-(Exhaust)                        |
| 42     | 494553  |     | KEEPER, Valve<br>-(Exhaust)                         |
| 45     | 691793  |     | TAPPET, Valve                                       |
| 46     | 691167  |     | CAMSHAFT  |
| 146    | 690979  |     | KEY, Woodruff                                       |
| 170    | 691695  |     | STUD<br>-(Crankcase Cover/Sump) (1 3/4 )            |
| 186    | 691764  |     | CONNECTOR-HOSE<br>-(Pulse Line)                     |
| 186A   | 691609  |     | CONNECTOR, Hose                                     |
| 219    | 496786  |     | GEAR-GOVERNOR                                       |
| 220    | 691724  |     | WASHER<br>-(Governor Gear)                          |
| 306    | 496797  |     | SHIELD-CYLINDER                                     |
| 306A   | 224898  |     | SHIELD, Cylinder                                    |
| 307    | 691003  |     | SCREW<br>-(Cylinder Shield)                         |
| 308    | 691201  |     | COVER, Cylinder Head                                |
| 337    | 802592S |     | PLUG, Spark<br>-(Resistor)                          |
| 338    | 690270  |     | SEAL, O-Ring<br>-(Dipstick Tube)                    |
| 349    | 691105  |     | LOCKNUT<br>-(Cylinder Head Cover)                   |

# CRANKCASE COVER, CRANKSHAFT, BREATHER, CYLINDER, PISTONS, OIL

Mfg. No: 196402-0165-01



1019 LABEL KIT

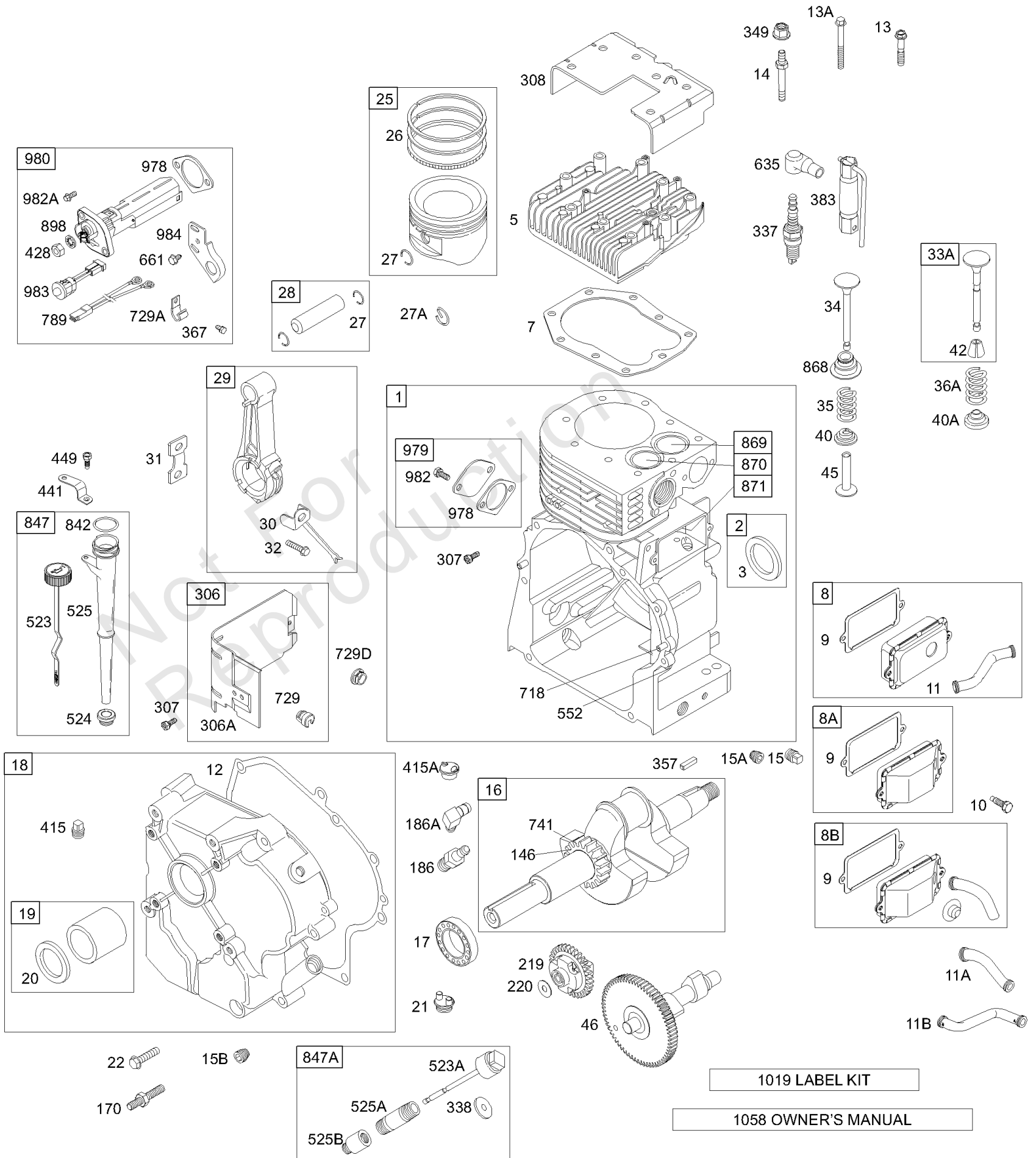
1058 OWNER'S MANUAL

## CRANKCASE COVER, CRANKSHAFT, BREATHER, CYLINDER, PISTONS, OIL

| REF NO | PART NO | QTY | DESCRIPTION                            |
|--------|---------|-----|--|
| 357    | 691483  |     | KEY, Drive Pulley                      |
| 367    | 691058  |     | SCREW<br>-(Wire Clip) (Oil GARD Kit)   |
| 383    | 89838S  |     | WRENCH-SPARK PLUG                      |
| 415    | 690283  |     | PLUG, Oil<br>-(Gear Cover)             |
| 415A   | 693463  |     | PLUG                                   |
| 428    | 691612  |     | NUT<br>-(Oil GARD Kit)                 |
| 441    | 690501  |     | BRACKET, Oil Fill                      |
| 449    | 691130  |     | SCREW<br>-(Oil Fill Bracket)           |
| 523    | 691386  |     | DIPSTICK                               |
| 523A   | 691942  |     | DIPSTICK                               |
| 524    | 281370S |     | SEAL-DIPSTICK TUBE<br>-(Dipstick Tube) |
| 525    | 691389  |     | TUBE, Dipstick                         |
| 525A   | 91258   |     | TUBE, Dipstick<br>-(2 1/2)             |
| 525B   | 691257  |     | TUBE, Dipstick                         |
| 552    | 491986  |     | BUSHING, Governor Crank<br>-(1/4 I.D.) |
| 635    | 66538S  |     | BOOT, Spark PLug                       |
| 661    | 690661  |     | SCREW<br>-(Oil Gard Light Bracket)     |
| 718    | 690959  |     | PIN, Locating                          |
| 729    | 690603  |     | CLIP, Wire<br>-(Cylinder Shield)       |
| 729A   | 690430  |     | CLIP, Wire<br>-(Oil GARD Kit)          |
| 729D   | 691336  |     | CLIP, Wire<br>-(Cylinder Shield)       |
| 741    | 691288  |     | GEAR, Timing                           |
| 789    | 398661  |     | HARNESS, Wiring                        |
| 842    | 691870  |     | SEAL, O-Ring<br>-(Dipstick Tube)       |
| 847    | 399901  |     | DIPSTICK/TUBE ASSEMBLY                 |
| 847A   | 493955  |     | DIPSTICK/TUBE ASSEMBLY                 |
| 868    | 692036  |     | SEAL, Valve                            |
| 869    | 691703  |     | SEAT, Valve<br>-(Intake)               |
| 870    | 691844  |     | SEAT-VALVE<br>-(Exhaust)               |
| 871    | 261961  |     | BUSHING, Valve Guide<br>-(Exhaust)     |
| 871    | 231218  |     | BUSHING, Valve Guide<br>-(Intake)      |
| 898    | 691077  |     | WASHER<br>-(Oil GARD Kit)              |
| 978    | 273326S |     | GASKET-OIL GARD                        |
| 979    | 691382  |     | COVER, Oil Guard                       |
| 980    | 496605  |     | KIT, Oil Gard                          |
| 982    | 690351  |     | SCREW<br>-(Oil GARD) (Oil GARD Cover)  |
| 982A   | 690350  |     | SCREW<br>-(Oil GARD) (Oil GARD Kit)    |
| 983    | 398660  |     | LIGHT, Indicator                       |

# CRANKCASE COVER, CRANKSHAFT, BREATHER, CYLINDER, PISTONS, OIL

Mfg. No: 196402-0165-01





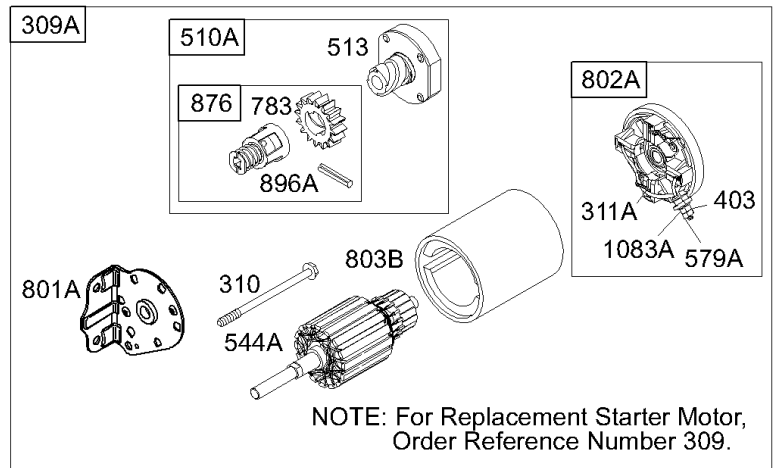
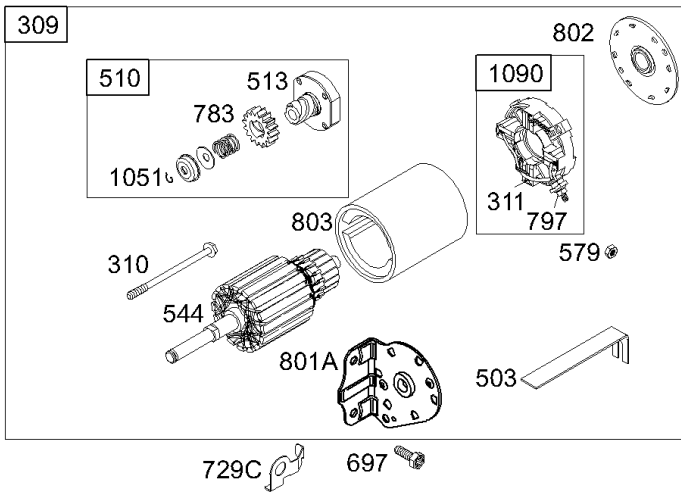
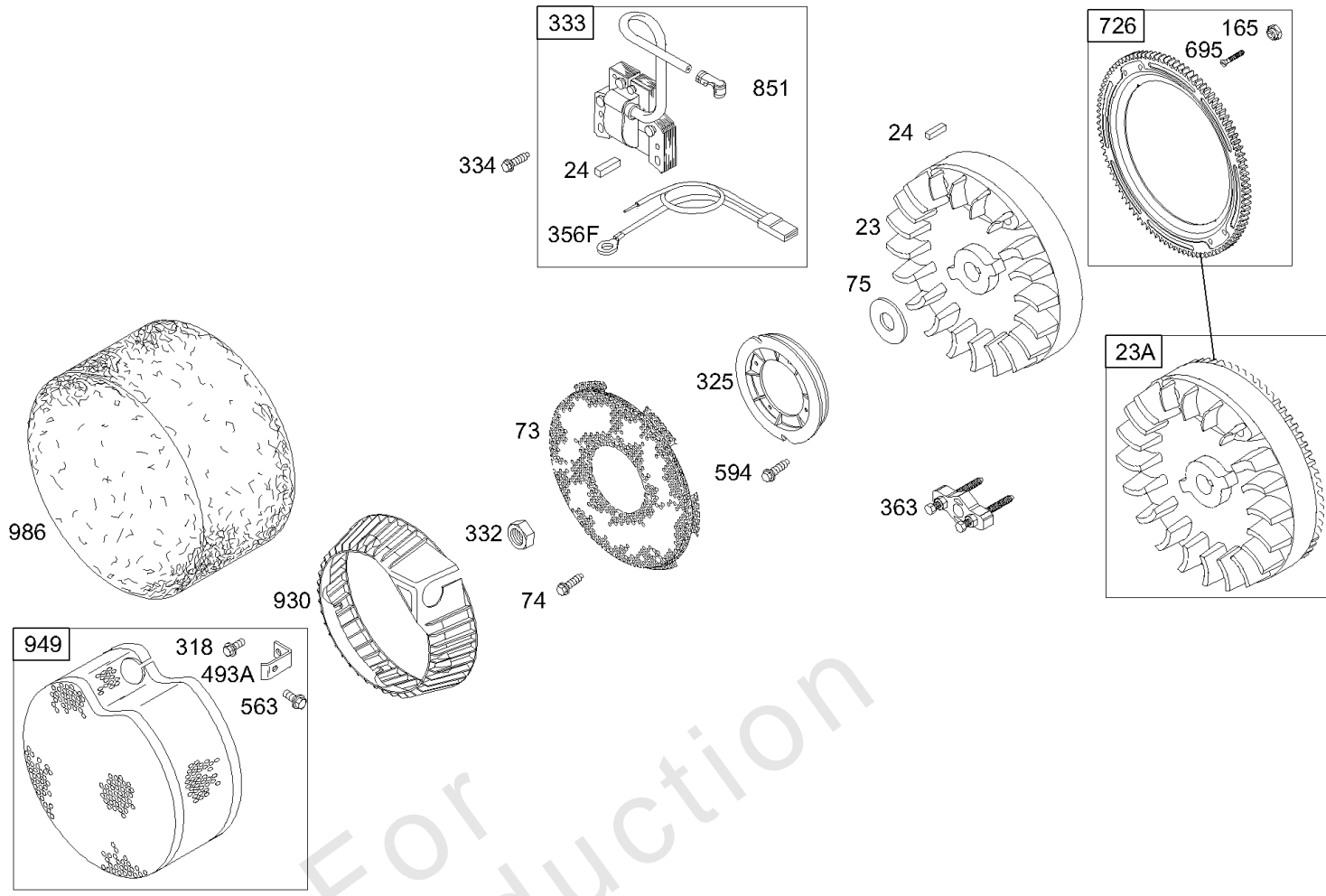
**CRANKCASE COVER, CRANKSHAFT, BREATHER, CYLINDER, PISTONS, OIL**

| REF NO | PART NO | QTY | DESCRIPTION              |
|--------|---------|-----|--------------------------|
| 984    | 692340  |     | BRACKET, Oil Guard Light |
| 1019   | 497156  |     | KIT, Label               |
| 1058   | 274786  |     | MANUAL, Operator's       |

Not For Reproduction

# ELECTRIC STARTER, FLYWHEEL, ARMATURE

Mfg. No: 196402-0165-01

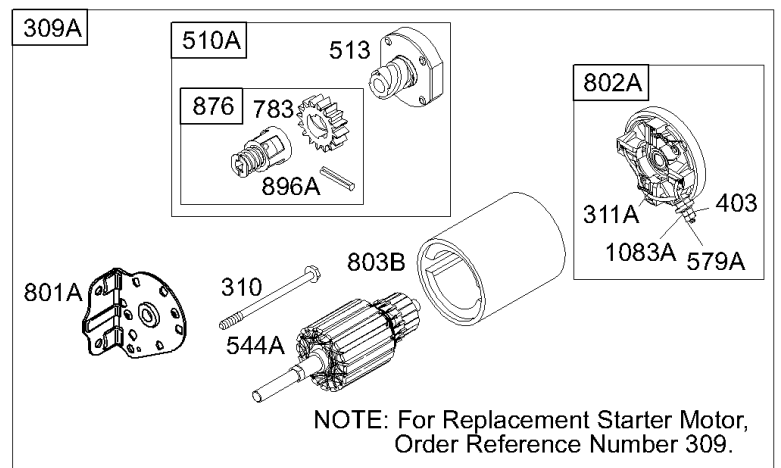
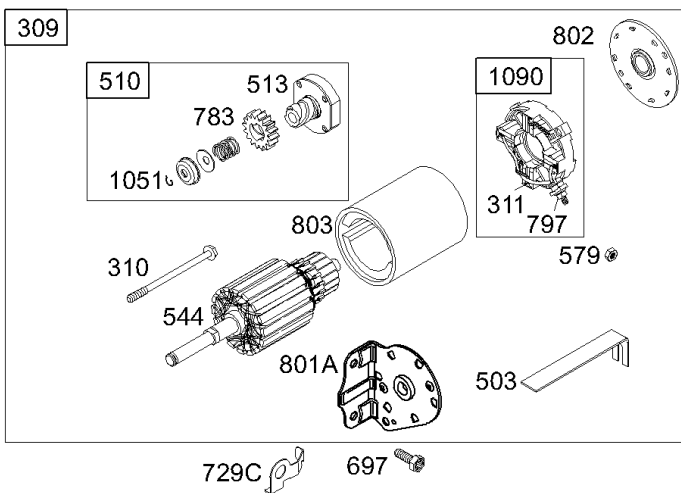
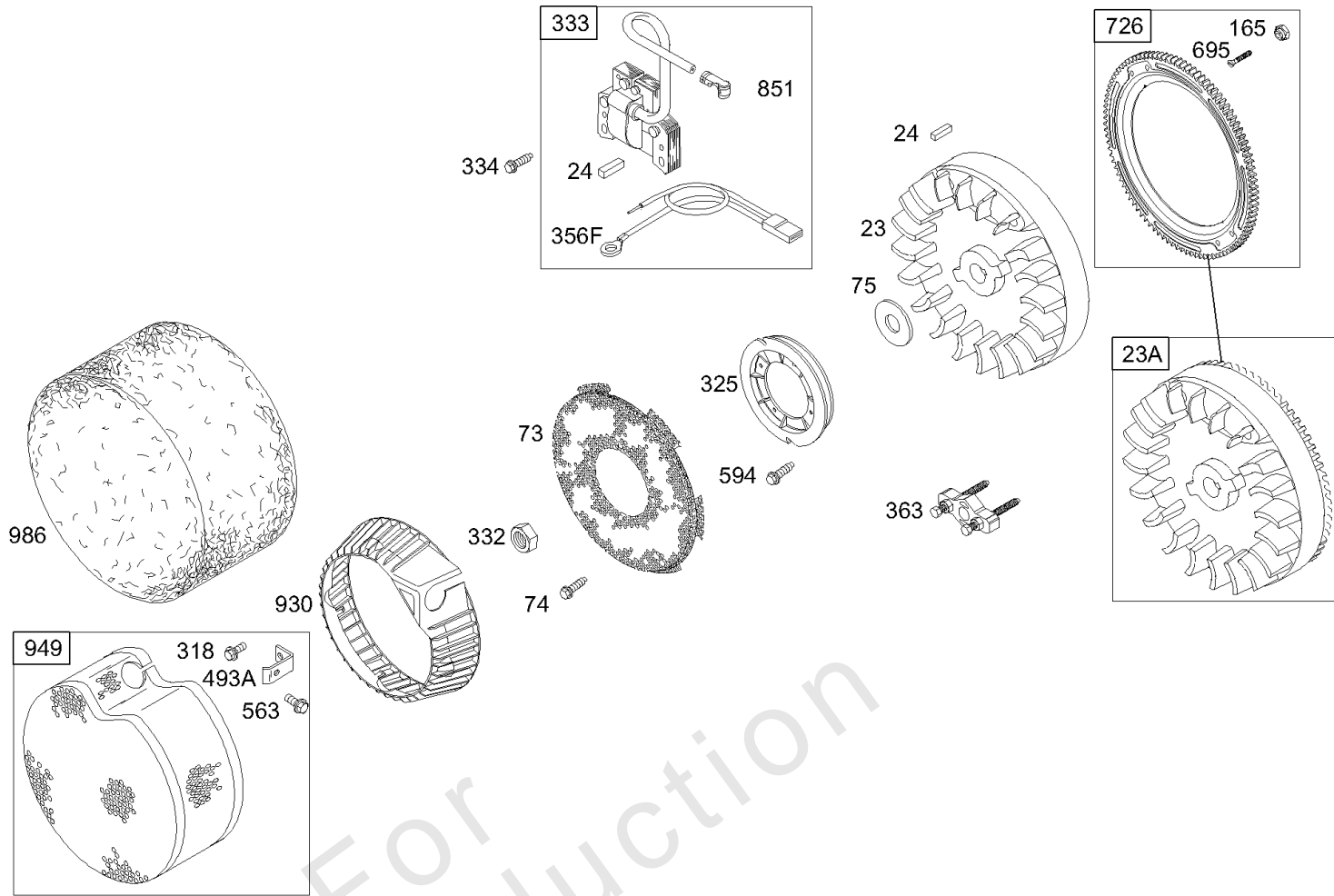


## ***ELECTRIC STARTER, FLYWHEEL, ARMATURE***

| <b>REF NO</b> | <b>PART NO</b> | <b>QTY</b> | <b>DESCRIPTION</b>   |
|---------------|----------------|------------|--|
| 23            | 690615         |            | FLYWHEEL<br>-(Rewind Starter)  |
| 23A           | 691354         |            | FLYWHEEL<br>-(Electric Start)  |
| 24            | 222698S        |            | KEY, Flywheel  |
| 73            | 691754         |            | SCREEN-ROTATING<br>-Used Before Code Date 99030100                     |
| 74            | 691627         |            | SCREW<br>-(Rotating Screen)  |
| 75            | 690582         |            | WASHER<br>-(Flywheel)  |
| 165           | 693148         |            | NUT<br>-(Ring Gear)  |
| 309           | 693054         |            | MOTOR, Starter<br>-(3 5/8) (Aluminum Ring Gear)                        |
| 309A          | -----          |            | Motor-Starter<br>-(For Replacement Starter Motor, Order Reference 309) |
| 310           | 690323         |            | SCREW<br>-(Starter Motor)  |
| 311           | 497608         |            | SET, Brush   |
| 311A          | 395538         |            | SET, Brush<br>-(3 5/8 Housing)   |
| 318           | 692849         |            | SCREW<br>-(Mounting Bracket)   |
| 325           | 691903         |            | PULLEY, Rope Starter   |
| 332           | 693899         |            | NUT<br>-(Flywheel)<br>-Used After Code Date 99022800                   |
| 333           | 398811         |            | ARMATURE, Magneto<br>-(Magnetron Ignition)                             |
| 334           | 691061         |            | SCREW<br>-(Magneto Armature)   |
| 356F          | 398808         |            | WIRE, Stop<br>-(Cut To Required Length)                                |
| 363           | 19165          |            | PULLER, Flywheel   |
| 403           | 690288         |            | WASHER<br>-(End Cap)   |
| 413           | 691029         |            | NUT<br>-(Starter Motor)  |
| 493A          | 692825         |            | BRACKET-MOUNTING<br>-(Debris Screen Guard)                             |
| 503           | 691532         |            | STRAP, Starter   |
| 510           | 696541         |            | DRIVE, Starter   |
| 510A          | 696540         |            | DRIVE, Starter   |
| 513           | 692024         |            | CLUTCH, Drive  |
| 544           | 692034         |            | ARMATURE, Starter<br>-(3 5/8 Housing)                                  |
| 544A          | 390837         |            | ARMATURE, Starter<br>-(3 5/8 Housing)                                  |
| 563           | 690859         |            | SCREW<br>-(Debris Screen Guard)  |
| 579           | 691029         |            | NUT<br>-(Starter Cable)  |
| 579A          | 691626         |            | NUT<br>-(Starter Cable)  |
| 594           | 691692         |            | SCREW<br>-(Rope Starter Pulley)  |
| 695           | 693109         |            | SCREW<br>-(Ring Gear)  |

# ELECTRIC STARTER, FLYWHEEL, ARMATURE

Mfg. No: 196402-0165-01



## ***ELECTRIC STARTER, FLYWHEEL, ARMATURE***

| <b>REF NO</b> | <b>PART NO</b> | <b>QTY</b> | <b>DESCRIPTION</b>                          |
|---------------|----------------|------------|---|
| 697           | 690372         |            | SCREW<br>-(Starter Motor) (Drive Cap)       |
| 697B          | 691058         |            | SCREW<br>-(Starter Motor) (Drive Cap)       |
| 726           | 696537         |            | GEAR, Ring<br>-(Includes Mounting Hardware) |
| 729B          | 224723         |            | CLIP, Wire<br>-(Starter Motor)              |
| 729C          | 691224         |            | CLIP, Wire<br>-(Starter Motor)              |
| 783           | 695708         |            | GEAR-PINION                                 |
| 797           | 693167         |            | NUT<br>-(Brush Retainer)                    |
| 801A          | 691283         |            | CAP, Drive                                  |
| 802           | 691286         |            | CAP, End                                    |
| 802A          | 395537         |            | CAP, End<br>-(3 5/8 Housing)                |
| 803           | 693757         |            | HOUSING, Starter<br>-(3 5/8 Housing)        |
| 803B          | 398159         |            | HOUSING, Starter<br>-(3 5/8 Housing)        |
| 851           | 493880S        |            | TERMINAL-SPARK PLUG                         |
| 876           | 696539         |            | KIT, Pinion Spring                          |
| 896A          | 691641         |            | PIN, Drive Retainer                         |
| 930           | 691904         |            | GUARD, Rewind                               |
| 949           | 397530         |            | GUARD, Debris Screen<br>-(Rewind Starter)   |
| 986           | 271735         |            | FILTER, Debris Foam                         |
| 1051          | 691265         |            | RING, Retaining                             |
| 1083A         | 690958         |            | NUT<br>-(End Cap)                           |
| 1090          | 691293         |            | RETAINER, Brush                             |

**Replacement Engine - Europe, Middle East & Africa**

---

| REF NO | PART NO | QTY | DESCRIPTION                             |
|--------|---------|-----|---|
|        | -----   |     | REPAIR ORIGINAL ENGINE WITH SPARE PARTS |

---

Not For Reproduction

## Replacement Engine - US & Canada

| REF NO | PART NO | QTY | DESCRIPTION  |
|--------|---------|-----|--|
| -----  |         |     | No engine replacement. Repair engine with individual parts.  |
| -----  |         |     | Top No-Load Speed: 4000<br>-Trim: 01   |
| -----  |         |     | Service Note: For all Go-Karts use only a Model 136200 series engine as a replacement, regardless of the original Model. |

Not For Reproduction

