



# Parts Manual

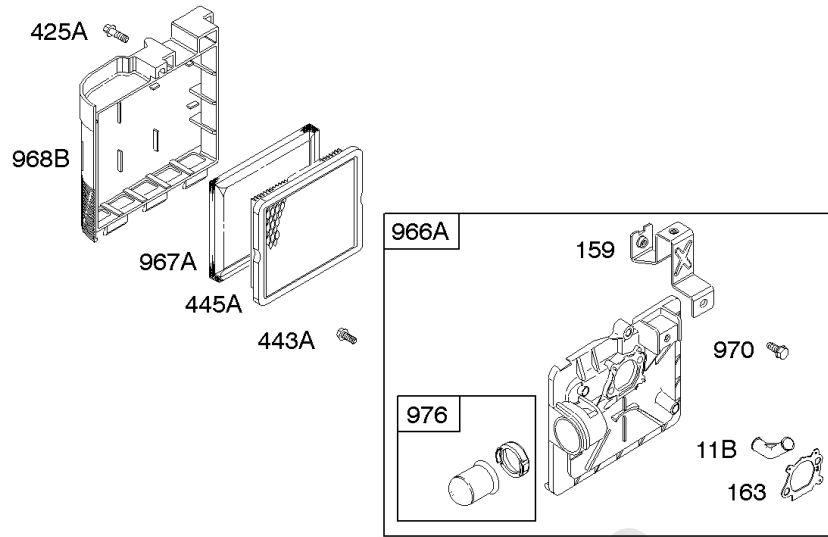
Mfg. No: 12J802-2915-B2



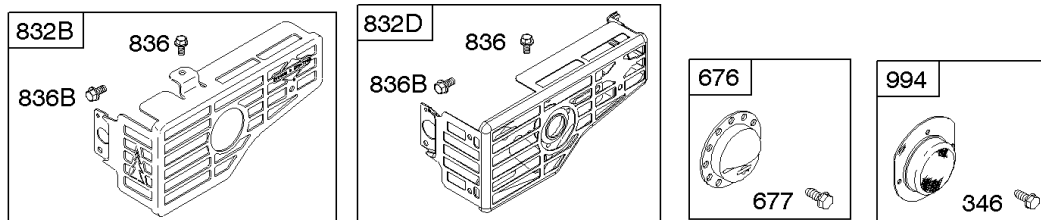
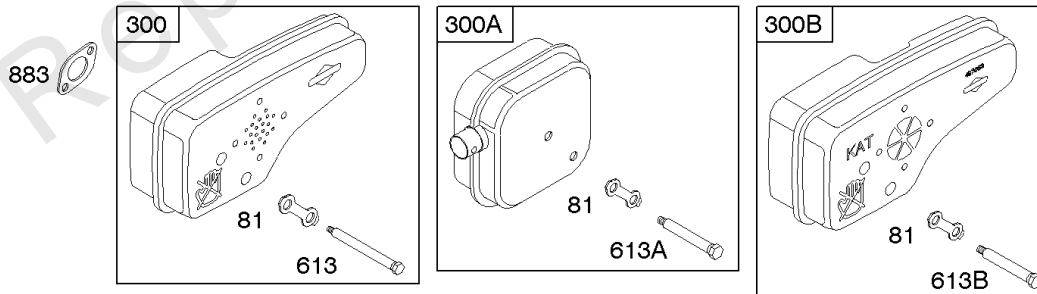
---

<b>Model Components</b>	<b>Page</b>
Air Cleaner, Exhaust System.....	4
Alternator, Electric Starter, Electrical, Flywheel Brake, Ignition.....	6
Blower Housing/Shrouds.....	10
Cams, Crankshaft, Cylinder, Engine Sump, Kit/Gaskets, Lubrication, Piston Group, Valves.....	12
Carburetor.....	22
Controls, Fuel Supply, Governor Spring.....	26
Flywheel, Rewind Starter.....	30
Replacement Engine - US & Canada.....	32

Not For  
Reproduction

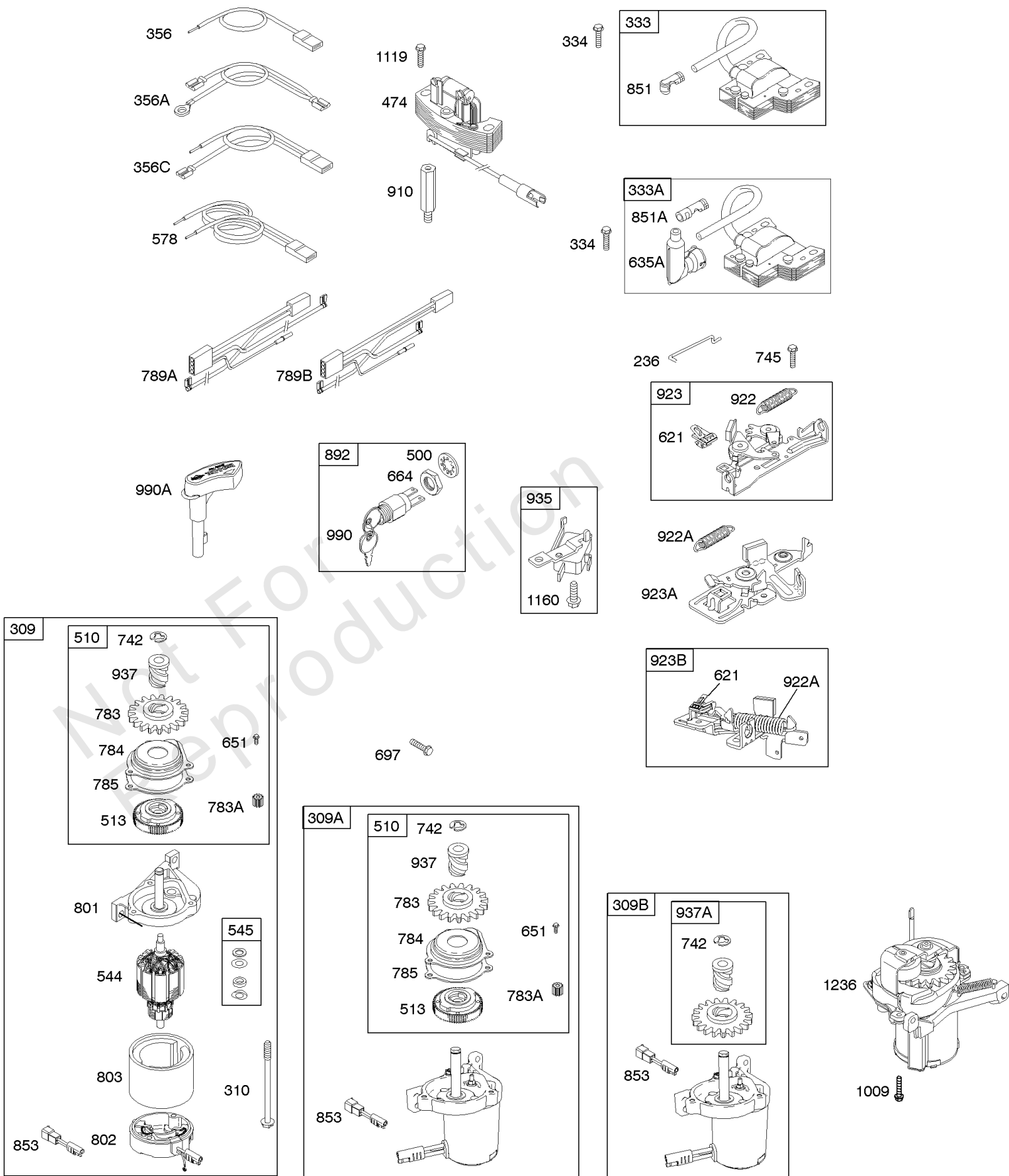


Not For  
Reproduction



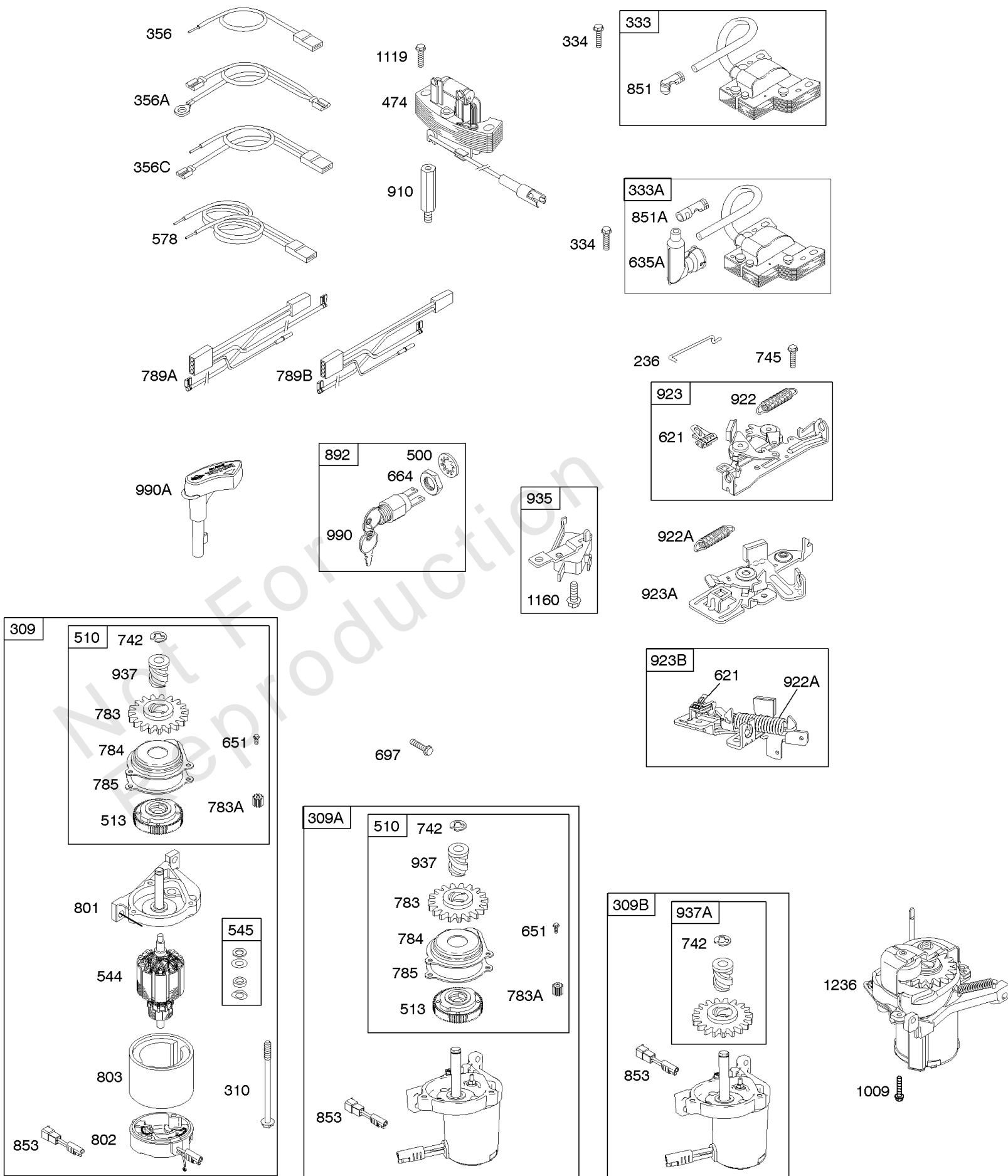
## Air Cleaner, Exhaust System

REF NO	PART NO	QTY	DESCRIPTION
11B	691923		TUBE, Breather
81	691740		LOCK, Muffler Screw
159	691753		BRACKET, Air Cleaner Primer
163	272653S		GASKET, Air Cleaner -(Air Cleaner)
300	692038		MUFFLER -(Super Lo Tone)
300A	494343S		MUFFLER -(Square Lo Tone)
300B	497681		MUFFLER -(Catalyst)
346	690661		SCREW -(Spark Arrestor)
425A	690670		SCREW -(Air Cleaner Cover)
443A	692523		SCREW -(Air Cleaner Primer Base)
445A	491588S		FILTER, A/C Cartridge
613	691340		SCREW -(Muffler)
613A	691653		SCREW -(Muffler)
613B	691114		SCREW -(Muffler)
676	396548		DEFLECTOR, Muffler
677	690661		SCREW -(Muffler Deflector)
832B	497683		GUARD, Muffler
832D	499034		GUARD, Muffler
836	690664		SCREW -(Muffler Guard)
836B	691147		SCREW -(Muffler Guard)
883	691881		GASKET, Exhaust
966A	496116		BASE, Air Cleaner -(Primer)
967A	493537S		FILTER, Air Cleaner Foam
968B	692298		COVER, Air Cleaner
970	691681		SCREW -(Air Cleaner Primer Bracket)
976	694395		PRIMER, Carburetor
994	398067		ARRESTOR-SPARK



## Alternator, Electric Starter, Electrical, Flywheel Brake, Ignition

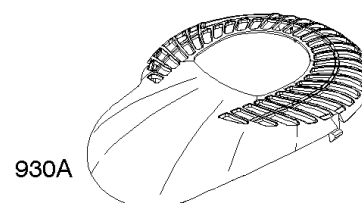
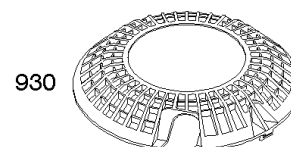
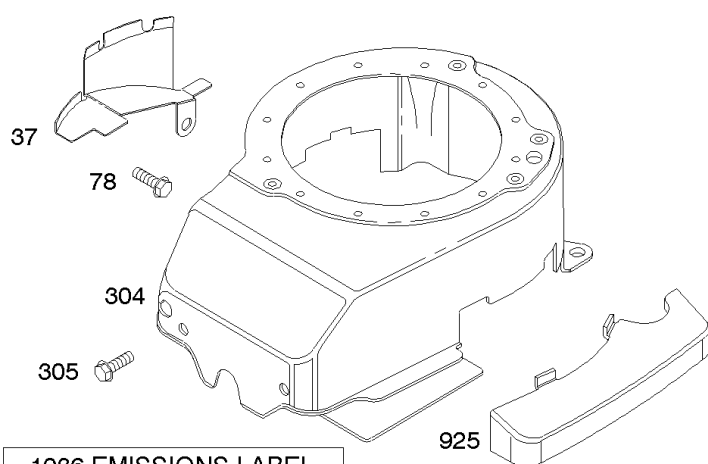
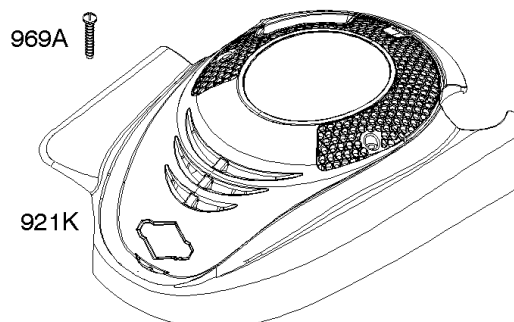
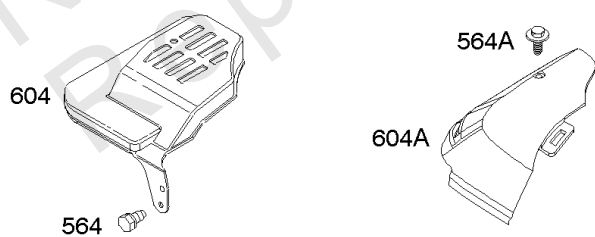
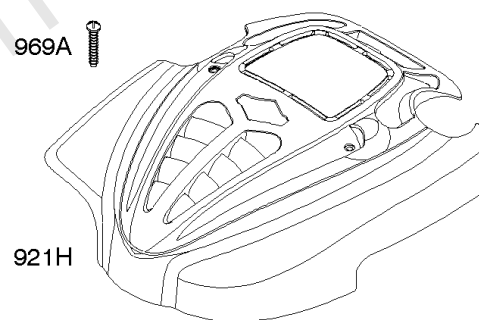
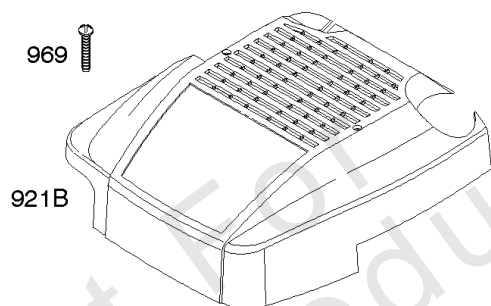
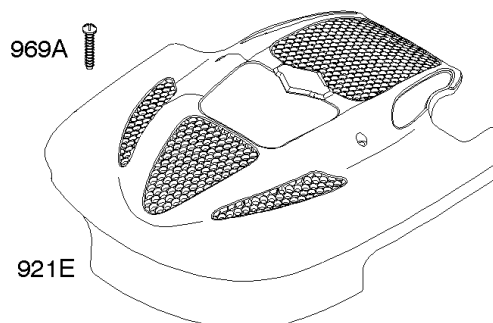
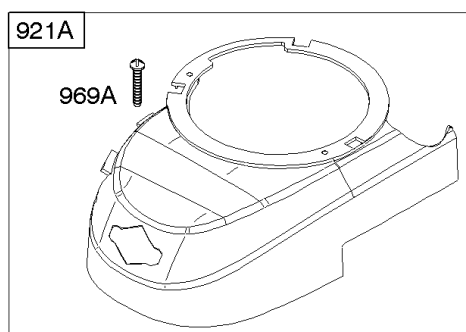
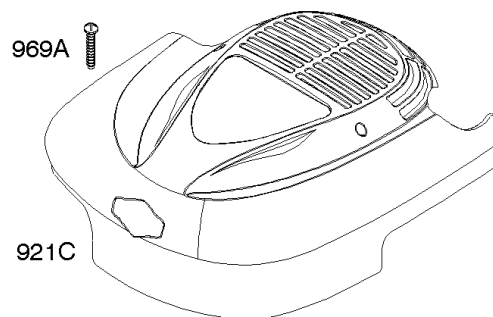
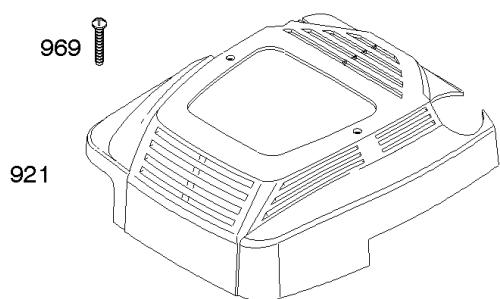
REF NO	PART NO	QTY	DESCRIPTION
236	691826		LINK, Lockout
309	695550		MOTOR, Starter -Used Before Code Date 07052900
309A	795092		MOTOR, Starter -Used After Code Date 07052800 -Used Before Code Date 10112800
309B	799045		MOTOR-STARTER -Used After Code Date 10112700
310	692327		SCREW -(Starter Motor)
333	802574		ARMATURE, Magneto
333A	793353		ARMATURE, Magneto -(Snap In Spark Plug Boot)
333A	792640		ARMATURE, Magneto -(Screw On Spark Plug Boot)
334	691061		SCREW -(Magneto Armature)
356	692390		WIRE, Stop
356A	690650		WIRE, Stop
356C	690808		WIRE, Stop
474	691991		ALTERNATOR
500	691086		WASHER -(Key Switch)
510	795093		DRIVE, Starter
513	692358		CLUTCH, Drive
544	690786		ARMATURE, Starter
545	492919		WASHER -(Starter Motor)
578	398153		WIRE ASSEMBLY
621	692310		SWITCH, Stop
635A	793351		SHIELD-SPARK PLUG -(Snap In Style)
635A	792597		BOOT, Spark Plug -(Screw On Style)
651	691660		SCREW -(Starter Gear Cover)
664	691087		NUT -(Key Switch)
697	691127		SCREW -(Drive Cap)
742	93941		RETAINER, E Ring
745	691648		SCREW -(Brake)
783	691918		GEAR, Pinion -(19 Teeth)(Starter Drive)
783A	691269		GEAR, Pinion -(12 Teeth)
784	795095		COVER, Starter Gear
785	692352		GASKET-STARTER COVER
789A	691372		HARNESS, Wiring -Used Before Code Date 00040700
789B	696547		HARNESS, Wiring -Used After Code Date 00040600
801	690782		CAP, Drive
802	695267		CAP, End -Used After Code Date 00040600
802	695975		HOUSING, Starter -Used Before Code Date 00040700





## Alternator, Electric Starter, Electrical, Flywheel Brake, Ignition

REF NO	PART NO	QTY	DESCRIPTION
803	695975		HOUSING, Starter -Used Before Code Date 00040700
803	695266		HOUSING, Starter -Used After Code Date 00040600
851	493880S		TERMINAL-SPARK PLUG
851A	692424		TERMINAL, Spark Plug
853	695268		ADAPTER, Wire
892	690646		SWITCH, Key
910	691094		STUD -(Alternator)
922	691831		SPRING-BRAKE
922A	692135		SPRING, Brake
923	796387		BRAKE -Used After Code Date 08043000
923A	695891		BRAKE
935	499421		SWITCH, Interlock -Used Before Code Date 08050100
937	691325		SPLINE, Starter
937A	799420		SPLINE, Starter
990	691959		SET, Key
990A	695951		SET, Key -(Touch N Mow)
1009	696255		SCREW -(Starter Motor) -Used Before Code Date 97052600
1119	691648		SCREW -(Alternator)
1160	690345		SCREW -(Interlock Switch)
1236	695959		STARTER, Mechanical -(Touch N Mow)(Do Not Service Individual Parts, Only As A Whole)



1036 EMISSIONS LABEL

## Blower Housing/Shrouds

REF NO	PART NO	QTY	DESCRIPTION
37	694086		GUARD, Flywheel
78	691108		SCREW -(Flywheel Guard)
304	493293		HOUSING, Blower -(Compliance Engines)
305	691108		SCREW -(Blower Housing)
564	690664		SCREW -(Control Cover)
564A	691142		SCREW -(Control Cover)
604	691757		COVER-CONTROL
604A	691344		COVER, Control
921	497233		COVER-BLOWER HSG
921A	695886		COVER-BLOWER HSG
921B	692932		HOUSING, Blower -(Red)
921B	692931		HOUSING, Blower -(Black)
921H	790037		HOUSING, Blower
921C	695889		HOUSING, Blower
921E	696262		HOUSING, Blower
921K	699984		HOUSING, Blower
925	690595		COVER, Linkage -Used Before Code Date 07072300
925	795403		COVER-LINKAGE -Used After Code Date 07072200
930	691919		GUARD, Rewind
930A	691345		GUARD, Rewind
969	690700		SCREW -(Blower Housing)
969A	691138		SCREW -(Blower Housing)
1036	-----		Label-Emissions -(Available From A Briggs & Stratton Authorized Dealer)

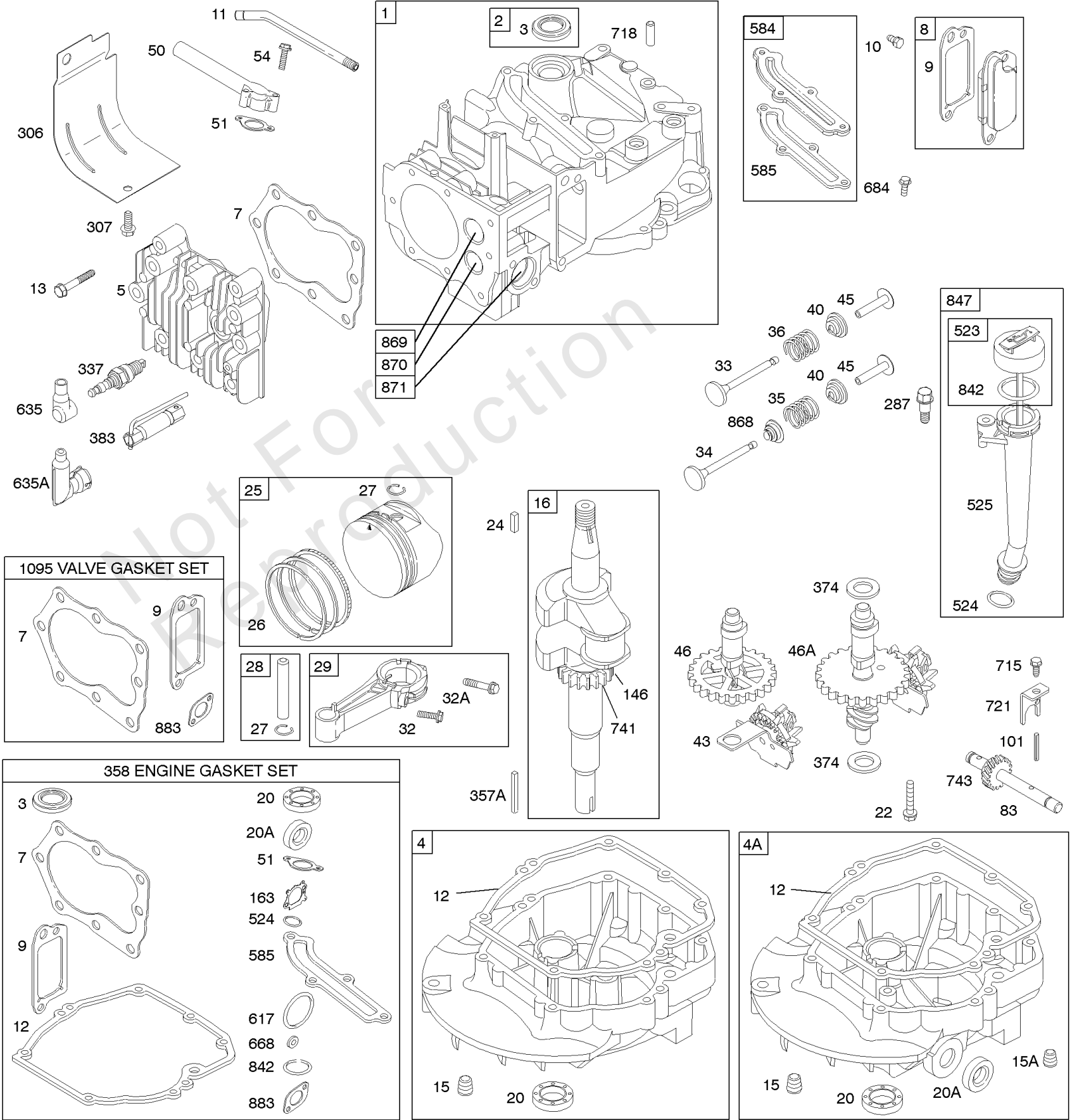
1319 WARNING LABEL

**REQUIRED** when replacing parts with warning labels affixed.

1058 OPERATOR'S MANUAL

1330 REPAIR MANUAL

1019 LABEL KIT



## ***Cams, Crankshaft, Cylinder, Engine Sump, Kit/Gaskets, Lubrication, Piston Group, Valves***

REF NO	PART NO	QTY	DESCRIPTION
1	590401		CYLINDER ASSEMBLY -Used After Code Date 11063000
1	697324		CYLINDER ASSEMBLY -Used Before Code Date 11070100
2	399269		KIT, Bushing/Seal -(Magneto Side)
3	299819S		SEAL, Oil -(Magneto Side)
4	493279		SUMP, Engine
4A	493365		SUMP, Engine -(Auxiliary PTO)
5	590411		HEAD, Cylinder -Used After Code Date 11063000
5	691160		HEAD, Cylinder -Used Before Code Date 11070100
7	799875		GASKET, Cylinder Head -Used After Code Date 11063000
7	692249		GASKET, Cylinder Head -Used Before Code Date 11070100
8	590395		BREATHER ASSEMBLY -Used After Code Date 11063000
8	695250		BREATHER ASSEMBLY -Used Before Code Date 11070100
9	699472		GASKET, Breather -Used After Code Date 11063000
9	699833		GASKET-BREATHER -Used Before Code Date 11070100
10	691125		SCREW -(Breather Assembly)
11	691781		TUBE-BREATHER
12	692232		GASKET, Crankcase
13	690912		SCREW -(Cylinder Head) -Used Before Code Date 11070100
13	590422		SCREW -(Cylinder Head) -Used After Code Date 11063000
15	691680		PLUG, Oil Drain -(Square Socket)
15A	691093		PLUG, Oil Drain -(Hex Socket)
16	593916		CRANKSHAFT -Used Before Code Date 97011300
16	691451		CRANKSHAFT -Used After Code Date 97011200
20	399781S		SEAL, Oil -(PTO Side)
20A	691952		SEAL, Oil -(PTO Side) (Auxiliary PTO)
22	691092		SCREW -(Crankcase Cover/Sump)
24	222698S		KEY, Flywheel
25	494058		PISTON ASSEMBLY -(Standard) -Used Before Code Date 97011300
25	494060		PISTON ASSEMBLY -(.020 Oversize) -Used Before Code Date 97011300
25	590404		PISTON ASSEMBLY -(Standard) -Used After Code Date 11063000



## Cams, Crankshaft, Cylinder, Engine Sump, Kit/Gaskets, Lubrication, Piston Group, Valves

REF NO	PART NO	QTY	DESCRIPTION
25	590405		PISTON ASSEMBLY -(.020 Oversize) -Used After Code Date 11063000
25	791096		PISTON ASSEMBLY -(Standard) -Used After Code Date 97011200 -Used Before Code Date 07090400
25	791325		PISTON ASSEMBLY -(.020 Oversize) -Used After Code Date 97011200 -Used Before Code Date 07090400
25	795429		PISTON ASSEMBLY -(Standard) -Used After Code Date 07090300 -Used Before Code Date 09041700
25	795430		PISTON ASSEMBLY -(.020 Oversize) -Used After Code Date 07090300 -Used Before Code Date 09041700
25	797302		PISTON ASSEMBLY -(Standard) -Used After Code Date 09041600 -Used Before Code Date 11070100
25	797303		PISTON ASSEMBLY -(.020 Oversize) -Used After Code Date 09041600 -Used Before Code Date 11070100
26	493261		SET, Ring -(Standard) -Used Before Code Date 97011300
26	493389		SET, Ring -(.020 Oversize) -Used Before Code Date 97011300
26	493390		SET, Ring -(.030 Oversize) -Used Before Code Date 97011300
26	499425		SET, Ring -(Standard) -Used After Code Date 97011200 -Used Before Code Date 04031500
26	499427		SET, Ring -(.020 Oversize) -Used After Code Date 97011200 -Used Before Code Date 04102200
26	590402		SET, Ring -(Standard) -Used After Code Date 11063000
26	590403		SET, Ring -(.020 Oversize) -Used After Code Date 11063000
26	791098		SET, Ring -(Standard) -Used After Code Date 04031400 -Used Before Code Date 07090400
26	791324		SET, Ring -(.020 Oversize) -Used After Code Date 04102100 -Used Before Code Date 07090400
26	795431		RING SET -(Standard) -Used After Code Date 07090300 -Used Before Code Date 09041700
26	795432		SET, Ring -(.020 Oversize) -Used After Code Date 07090300 -Used Before Code Date 09041700

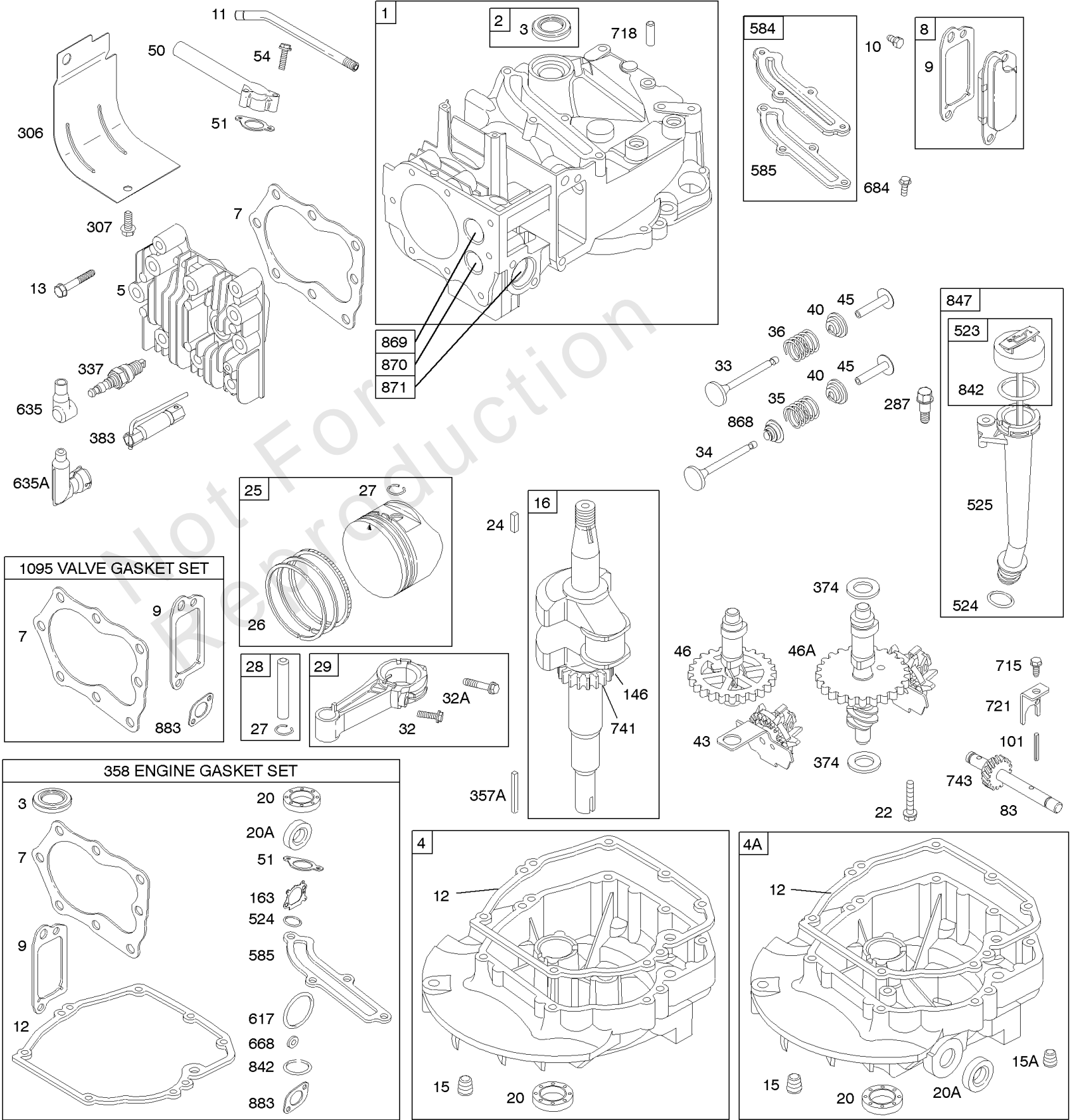
1319 WARNING LABEL

**REQUIRED** when replacing parts with warning labels affixed.

1058 OPERATOR'S MANUAL

1330 REPAIR MANUAL

1019 LABEL KIT





## Cams, Crankshaft, Cylinder, Engine Sump, Kit/Gaskets, Lubrication, Piston Group, Valves

REF NO	PART NO	QTY	DESCRIPTION
26	797304		SET, Ring -(Standard) -Used After Code Date 09041600 -Used Before Code Date 11070100
26	797305		SET, Ring -(.020 Oversize) -Used After Code Date 09041600 -Used Before Code Date 11070100
27	691588		LOCK, Piston Pin -Used Before Code Date 97011300
27	691588		LOCK, Piston Pin -Used After Code Date 09041600
27	691866		LOCK-PISTON PIN -Used After Code Date 97011200 -Used Before Code Date 09041700
28	298908		PIN, Piston -(.005 Oversize) -Used Before Code Date 97011300
28	298909		PIN, Piston -(Standard) -Used Before Code Date 97011300
28	298909		PIN, Piston -(Standard) -Used After Code Date 09041600
28	499423		PIN-PISTON/STD -(Standard) -Used After Code Date 97011200 -Used Before Code Date 09041700
29	797306		ROD, Connecting -(Standard) -Used After Code Date 09041600
29	490566		ROD, Connecting -(Standard) -Used Before Code Date 97011300
29	499424		ROD, Connecting -(Standard) -Used After Code Date 97011200 -Used Before Code Date 09041700
32	691664		SCREW -(Connecting Rod)
32A	695759		SCREW -(Connecting Rod) -Used After Code Date 00042200
33	590394		VALVE-EXHAUST -Used After Code Date 11063000
33	262651S		VALVE, Exhaust -Used Before Code Date 11070100
34	262652S		VALVE, Intake -Used Before Code Date 11070100
34	590393		VALVE-INTAKE -Used After Code Date 11063000
35	691270		SPRING, Valve -(Intake)
36	691270		SPRING, Valve -(Exhaust)
40	692194		RETAINER, Valve
43	691997		SLINGER, Governor/Oil
45	690548		TAPPET, Valve
46	492830		CAMSHAFT -Used Before Code Date 96060300
46	691449		CAMSHAFT -Used After Code Date 96060200

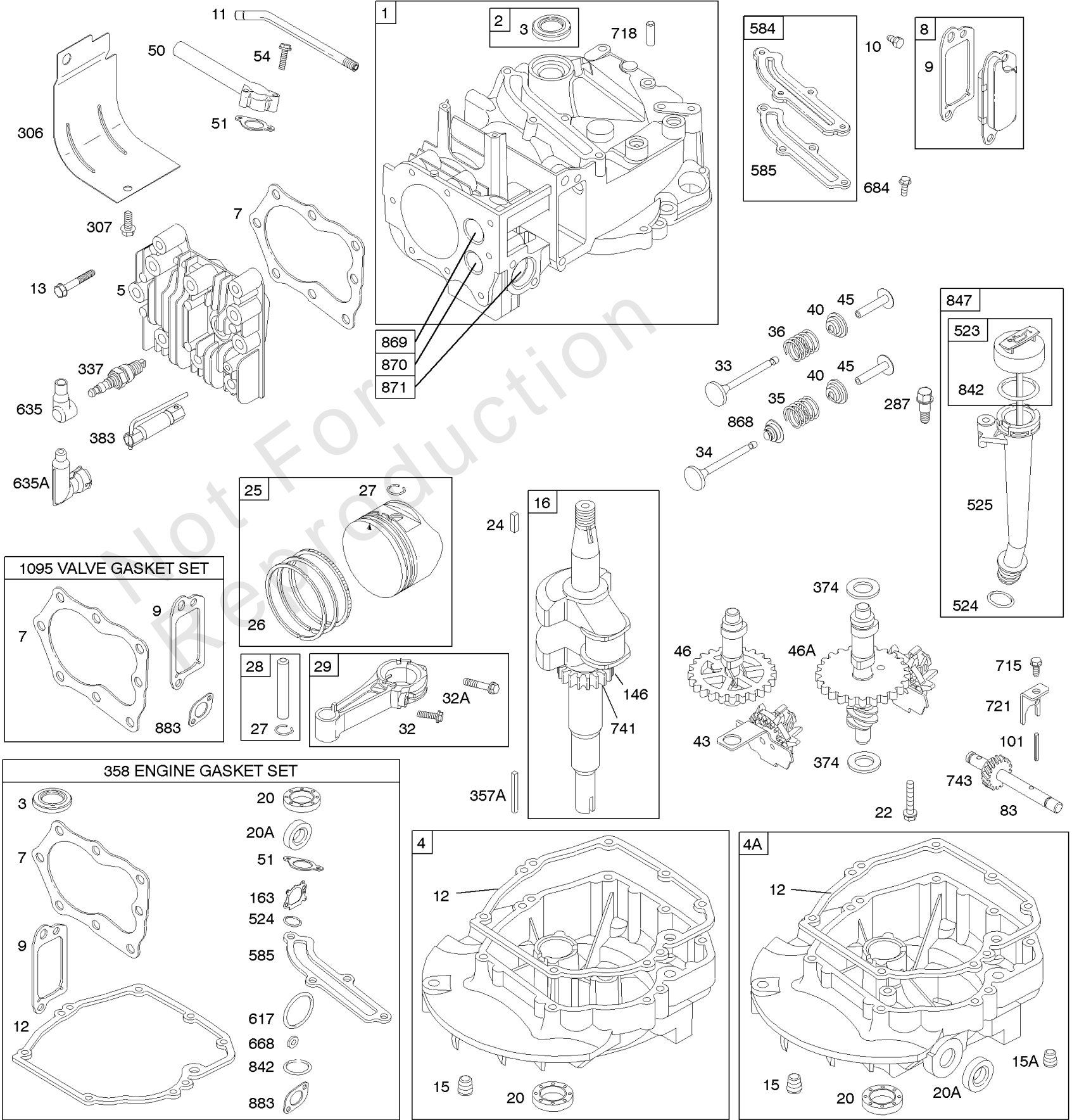
1319 WARNING LABEL

**REQUIRED** when replacing parts with warning labels affixed.

1058 OPERATOR'S MANUAL

1330 REPAIR MANUAL

1019 LABEL KIT



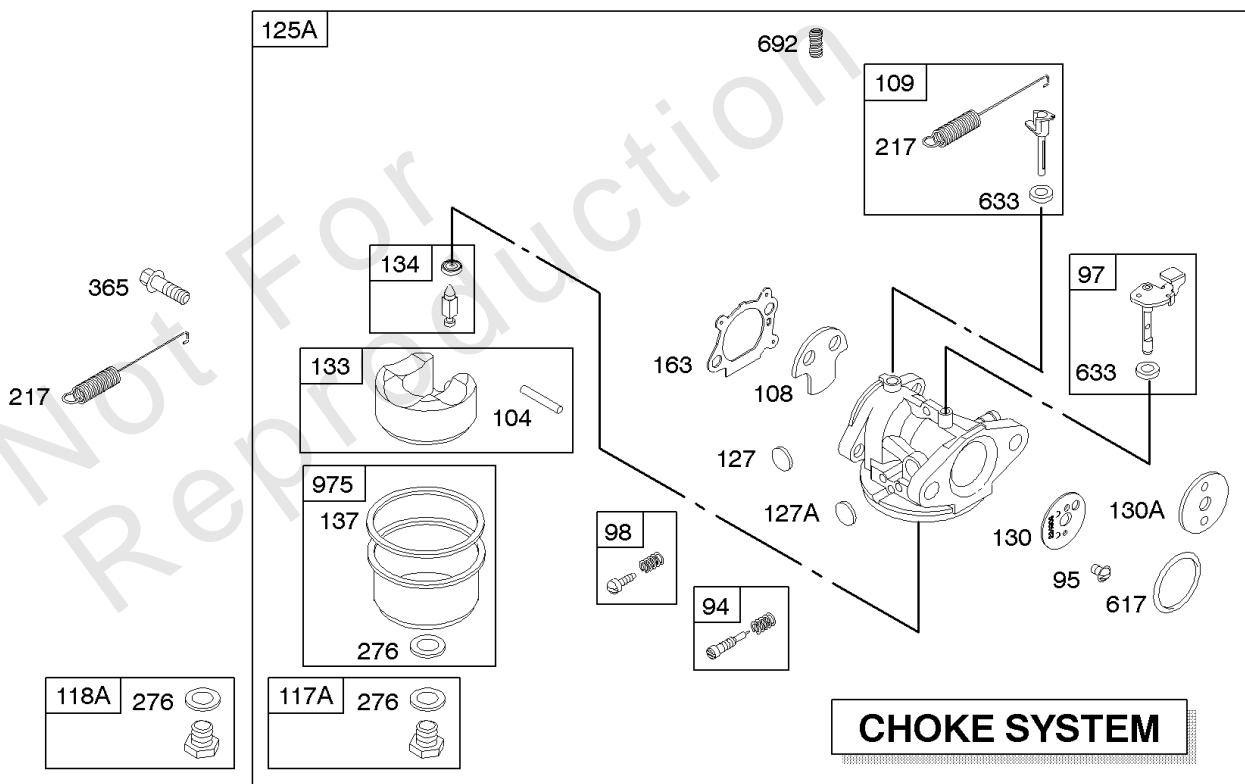
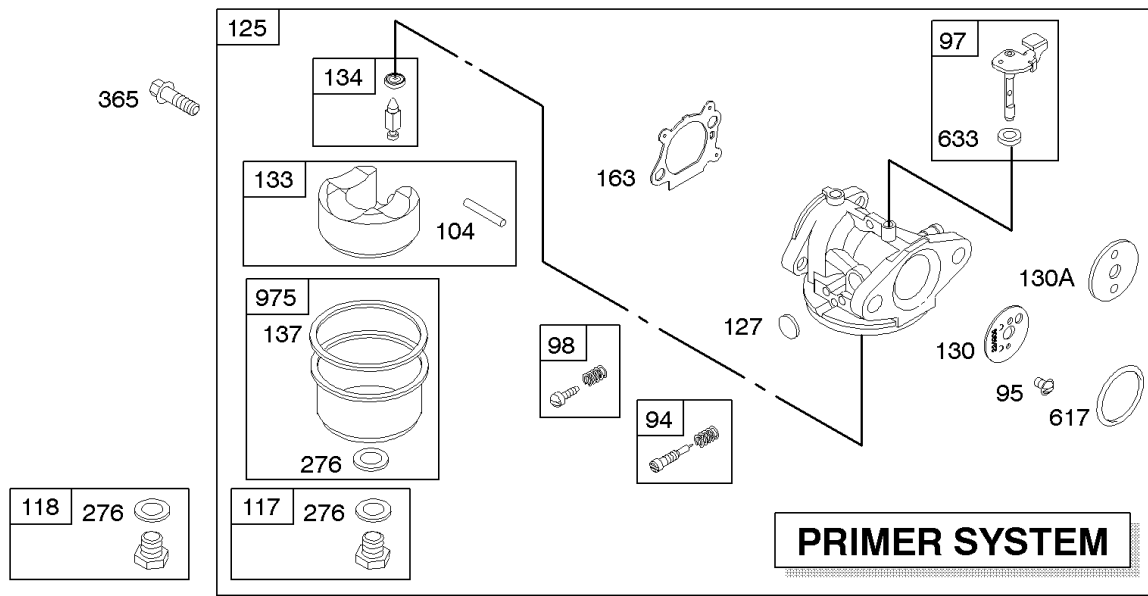
## *Cams, Crankshaft, Cylinder, Engine Sump, Kit/Gaskets, Lubrication, Piston Group, Valves*

REF NO	PART NO	QTY	DESCRIPTION
50	497465		MANIFOLD, Intake
51	272199S		GASKET, Intake
54	691650		SCREW -(Intake Manifold)
83	690522		SHAFT, Auxiliary Drive
101	691623		PIN, Shaft -(Drive Gear)
146	690979		KEY, Woodruff
163	272653S		GASKET, Air Cleaner -(Air Cleaner)
287	690940		SCREW -(Dipstick Tube)
306	690450		SHIELD, Cylinder
307	690345		SCREW -(Cylinder Shield)
337	802592S		PLUG, Spark -(Resistor) -Used Before Code Date 11070100
337	697451		PLUG, Spark -(EMS) -Used Before Code Date 11070100
337	799876		PLUG, Spark -Used After Code Date 11063000
357A	692191		KEY, Drive Pulley
358	497316		GASKET SET, Engine -Used Before Code Date 11070100
358	590508		GASKET SET, Engine -Used After Code Date 11063000
374	691074		WASHER -(Camshaft)
383	89838S		WRENCH-SPARK PLUG
523	499621		DIPSTICK
524	692296		SEAL-DIPSTICK TUBE -(Dipstick Tube)
525	495265		TUBE, Dipstick
584	697734		COVER-BREA PASSAGE
585	691879		GASKET-BREA PASSAGE
617	270344S		SEAL, O-Ring -(Intake Manifold)
635	66538S		BOOT, Spark PLug
635A	792597		BOOT, Spark Plug -(Screw On Style)
635A	793351		SHIELD-SPARK PLUG -(Snap In Style)
668	493823		SPACER -(Includes 2)
684	690345		SCREW -(Breather Passage Cover)
715	691147		SCREW -(Stop Shaft)
718	690959		PIN, Locating
721	690449		STOP, Shaft
741	794388		GEAR, Timing -(Use Without Woodruff Key) -Used After Code Date 07093000 -Used Before Code Date 08021800
741	795755		GEAR, Timing -(Plastic) -Used After Code Date 08021700



## ***Cams, Crankshaft, Cylinder, Engine Sump, Kit/Gaskets, Lubrication, Piston Group, Valves***

REF NO	PART NO	QTY	DESCRIPTION
741	797521		GEAR, Timing -(Metal) -Used After Code Date 08021700
741	691830		GEAR-TIMING -(Uses Woodruff Key)
741	790345		GEAR, Timing -(Use Without Woodruff Key) -Used Before Code Date 07100100
842	691031		SEAL, O-Ring -(Dipstick Tube)
847	692047		DIPSTICK/TUBE ASSY
868	590410		SEAL, Valve -Used After Code Date 11063000
868	697338		SEAL, Valve -Used Before Code Date 11070100
869	691155		SEAT, Valve -(Intake)
870	690380		SEAT, Valve -(Exhaust)
871	63709		BUSHING, Valve Guide -(Intake) -Used Before Code Date 11070100
871	590409		BUSHING, Valve Guide -Used After Code Date 11063000
871	262001		BUSHING-VALVE GUIDE -(Exhaust) -Used Before Code Date 11070100
883	691881		GASKET, Exhaust
1019	790231		KIT, Label -(Touch N Mow)
1019	494256		KIT, Label
1058	277039TRI		MANUAL, Operator's -Used Before Code Date 11070100
1058	380567TRI		MANUAL, Operator's -Used After Code Date 11063000
1095	590507		GASKET SET, Valve -Used After Code Date 11063000
1095	498528		GASKET SET, Valve -Used Before Code Date 11070100
1319	794467		LABEL, Warning
1330	270962		REP MAN-1 CYL L-HD

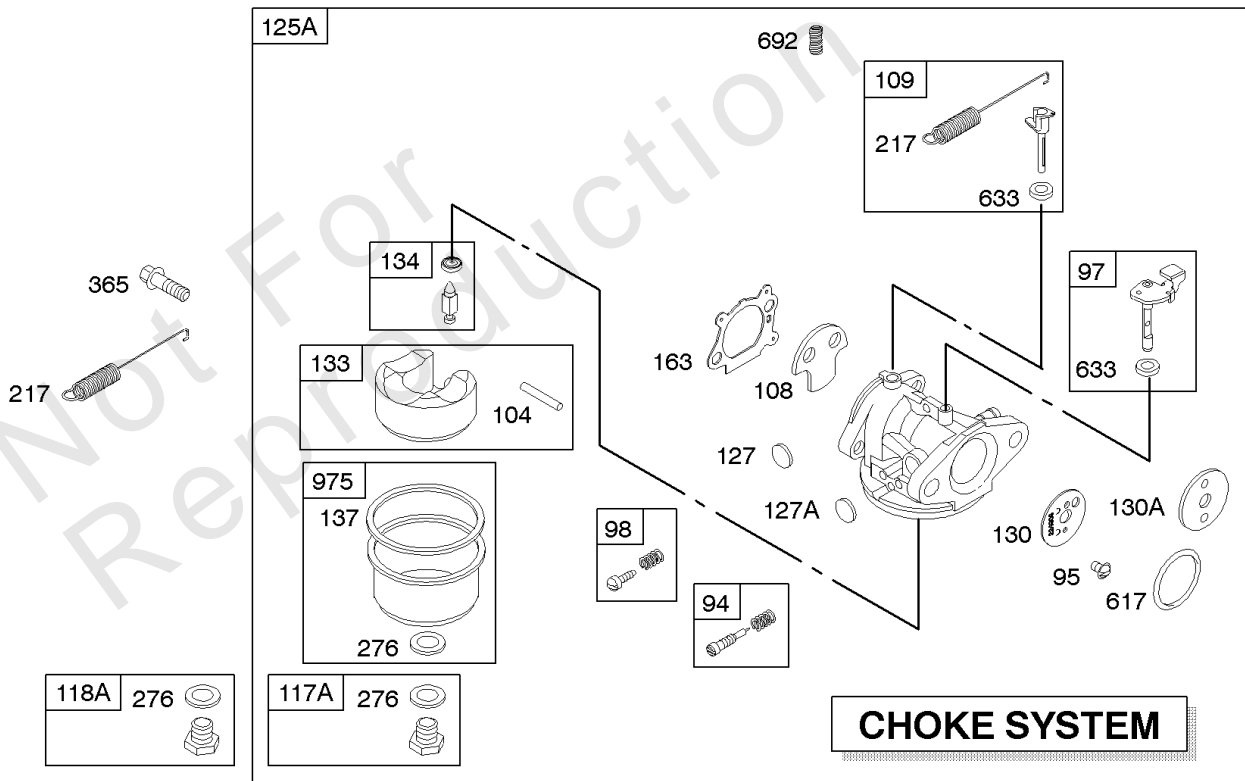
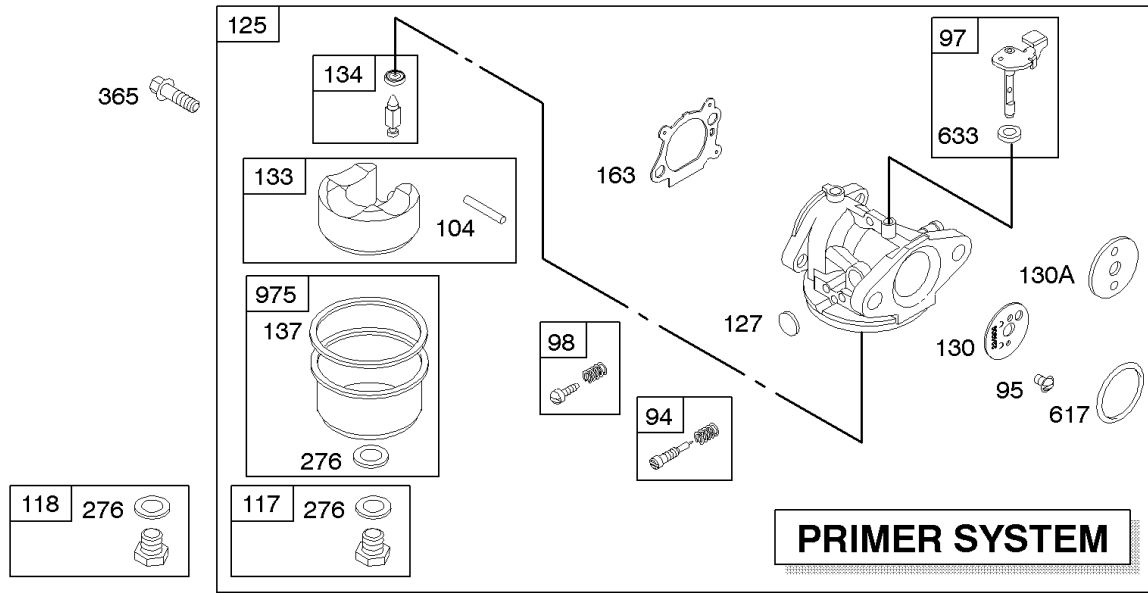


121 CARBURETOR OVERHAUL KIT		
94	134	276
104	137	617
127	163	633
127A		

977 CARBURETOR GASKET SET		
137	276	633
163	617	

## Carburetor

REF NO	PART NO	QTY	DESCRIPTION
94	493765		KIT-IDLE MIXTURE -(Used On Carb. I.d. No. M24)
95	691636		SCREW -(Throttle Valve)
97	493267		SHAFT-THROTTLE -(Metal)
97	696565		SHAFT, Throttle -(Plastic)
98	398185		KIT-IDLE SPEED -(Carburetor)
104	691242		PIN, Float Hinge
108	691182		VALVE-CHOKE
109	494218		KIT, Choke Shaft
117	494870		JET, Main -(Standard) -Used Before Code Date 96060300
117	494870		JET, Main -(Standard) -Used After Code Date 02092900
117	498975		JET, Main -(Standard) -Used After Code Date 96060200 -Used Before Code Date 02093000
117A	498976		JET, Main -(Standard) -Used After Code Date 96060200
117A	493637		JET, Main -(Standard) -Used Before Code Date 96060300
118	496495		JET-MAIN -(High Altitude) -Used After Code Date 96060200 -Used Before Code Date 02093000
118	497315		JET, Main -(High Altitude) -Used Before Code Date 96060300
118	497315		JET, Main -(High Altitude) -Used After Code Date 02092900
118A	497315		JET, Main -(High Altitude) -Used After Code Date 96060200
118A	496063		JET, Main -(High Altitude) -Used Before Code Date 96060300
121	498260		KIT, Carburetor Overhaul
125	498170		CARBURETOR -(Primer) -Used After Code Date 95102900 -Used Before Code Date 96060300
125	498254		CARBURETOR -(Primer) -Used Before Code Date 95103000
125	698444		CARBURETOR -(Primer) -Used After Code Date 96060200
127	694468		PLUG, Welch -(Bowl Vent)
127A	691739		PLUG-WELCH
130	696564		VALVE, Throttle -(Used With Plastic Throttle Shaft)
130	691203		VALVE, Throttle



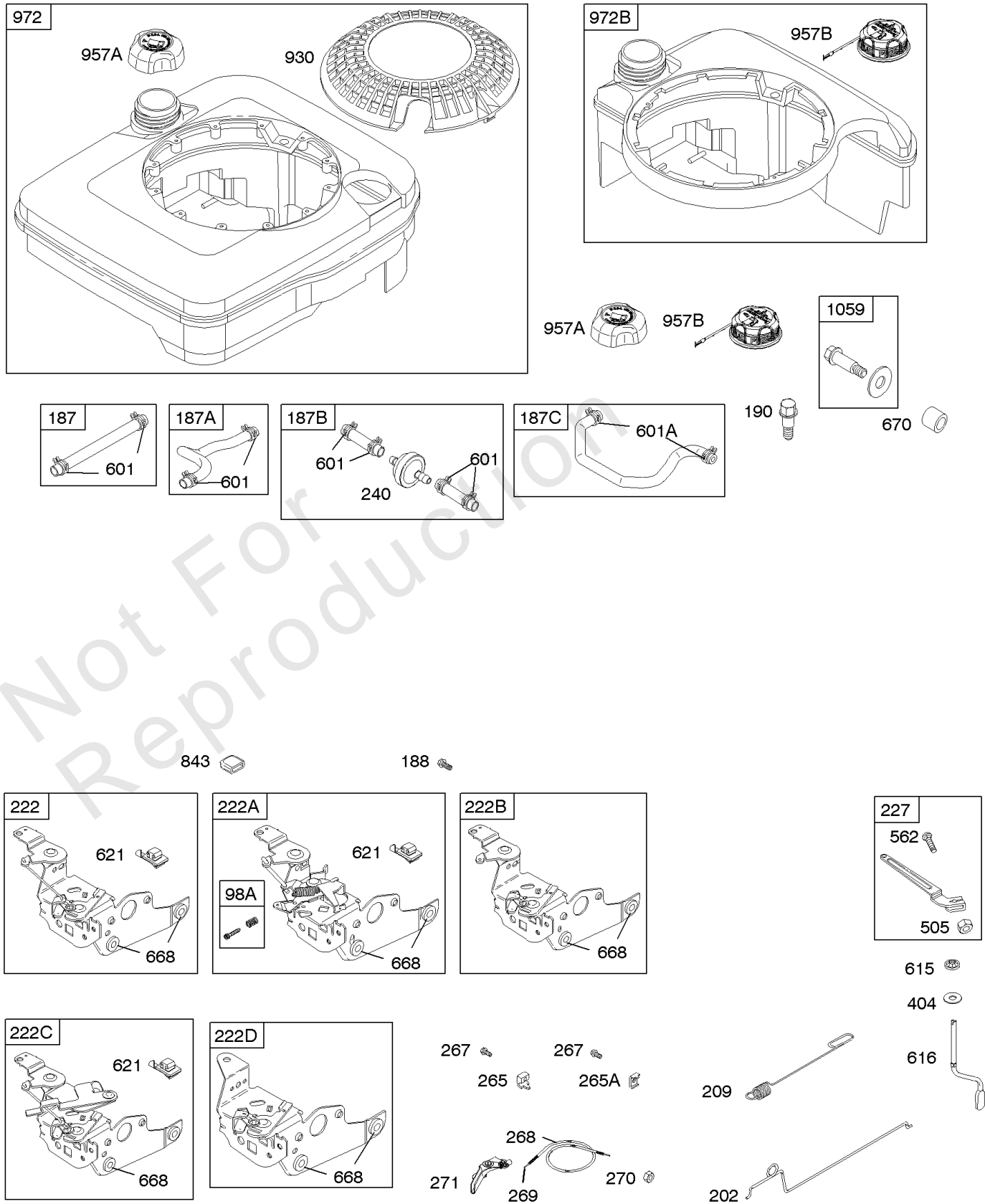
121 CARBURETOR OVERHAUL KIT		
94	134	276
104	137	617
127	163	633
127A		

977 CARBURETOR GASKET SET		
137	276	633
163	617	



## Carburetor

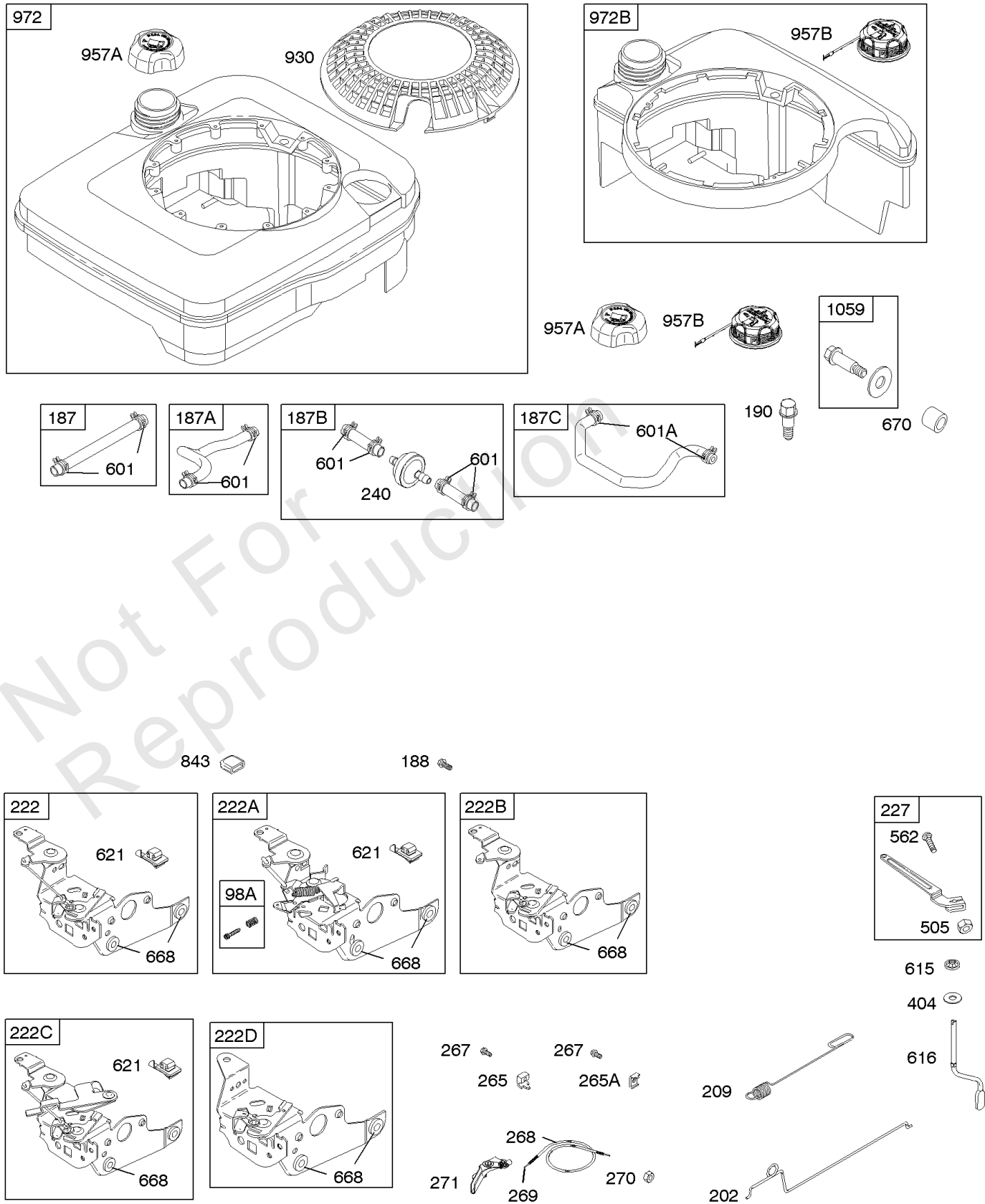
REF NO	PART NO	QTY	DESCRIPTION
130A	691181		VALVE-THROTTLE
133	398187		FLOAT-CARBURETOR
134	398188		KIT-NEEDLE/SEAT
137	693981		GASKET-FLOAT BOWL -(1/16)
137	796610		GASKET, Float Bowl
163	272653S		GASKET, Air Cleaner -(Air Cleaner)
217	690354		SPRING, Choke Return
276	271716		WASHER-SEALING
365	691688		SCREW -(Carburetor)
617	270344S		SEAL, O-Ring -(Intake Manifold)
633	691321		SEAL-CHOKE/THR SHAFT -(Throttle Shaft)
692	690572		SPRING, Detent
975	493640		BOWL, Float
977	498261		SET, Carburetor Gasket



Not For  
Reproduction

## Controls, Fuel Supply, Governor Spring

REF NO	PART NO	QTY	DESCRIPTION
98A	493280		KIT-IDLE SPEED -(Idle Speed)
187	791766		LINE, Fuel -(Cut To Required Length)
187A	791873		LINE-FUEL -(Molded)
187C	791875		LINE, Fuel -(Molded)
187B	791891		LINE-FUEL -(Includes Filter)
188	690877		SCREW -(Control Bracket)
190	690940		SCREW -(Fuel Tank)
202	691829		LINK, Mechanical Governor
209	699056		SPRING, Governor
222	790143		BRACKET-CONTROL -(Remote/Manual Friction)(Primer)
222A	692021		BRACKET, Control -(Remote Choke & Choke-A-Matic)
222C	692150		BRACKET, Control -(Remote/Manual Friction)(Variable Speed And 5 Position Manual Choke)
222B	693006		BRACKET, Control -(Fixed Speed)
222D	791128		BRACKET, Control -(Remote/Manual Friction)(Variable Speed And 5 Position Manual Choke, Without Stop Switch)
227	690783		LEVER-GOV CONTROL
240	298090S		FILTER, Fuel
265	690798		CLAMP, Casing
265A	691024		CLAMP, Casing
267	691044		SCREW -(Casing Clamp)
268	691025		CASING, Control Wire -(Cut To Required Length)
269	691026		WIRE, Control -(Cut To Required Length)
270	691027		NUT -(Control Wire Casing)
271	691028		LEVER, Control
404	690272		WASHER -(Governor Crank)
505	691251		NUT -(Governor Control Lever)
562	92613		BOLT -(Governor Lever)
601	791850		CLAMP, Hose
601A	691038		CLAMP, Hose
615	690340		RETAINER, Governor Shaft
616	698801		CRANK-GOVERNOR
621	692310		SWITCH, Stop
668	493823		SPACER -(Includes 2)
670	692294		SPACER, Fuel Tank
843	691884		SLEEVE, Lever
930	691919		GUARD, Rewind
957A	692046		CAP, Fuel Tank -(Plastic)

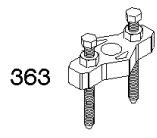
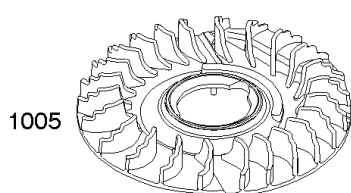
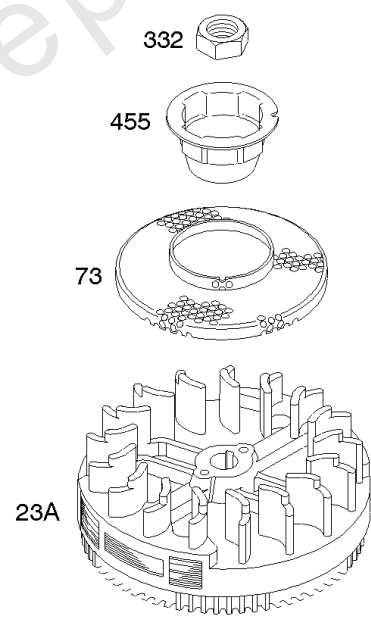
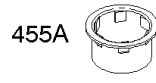
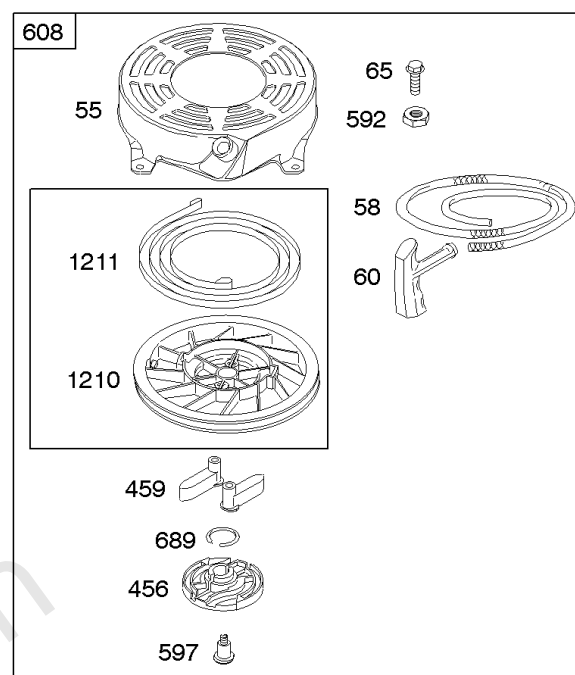
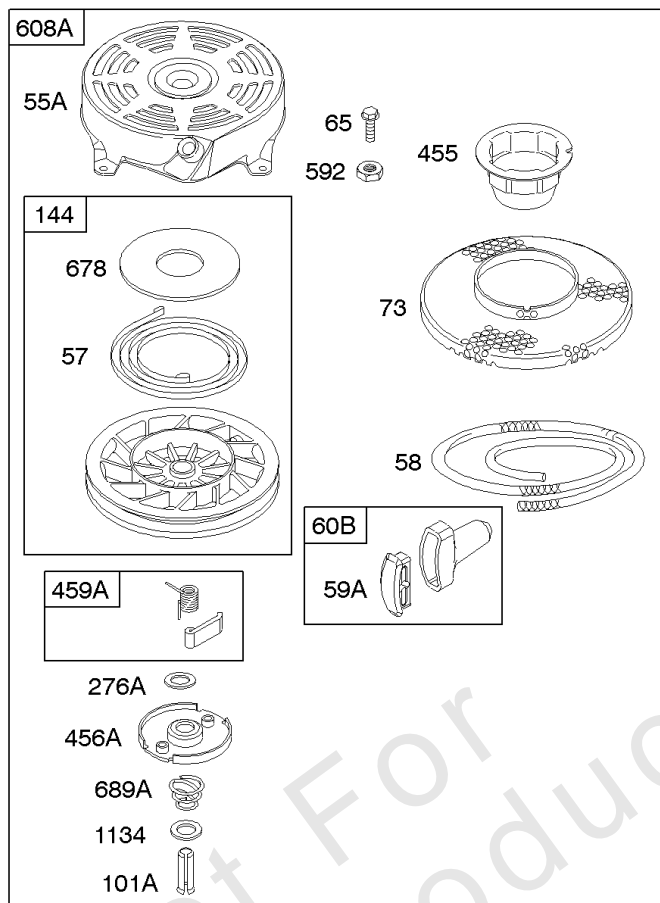


Not For  
Reproduction

## ***Controls, Fuel Supply, Governor Spring***

<b>REF NO</b>	<b>PART NO</b>	<b>QTY</b>	<b>DESCRIPTION</b>
957B	699985		CAP, Fuel Tank -(Plastic)
972	699392		TANK, FUEL -(Plastic)
972B	699374		TANK, Fuel -(Plastic)
1059	692311		KIT, Screw/Washer
1059	696293		KIT, Screw/Washer -(Touch N Mow)

Not For Reproduction



## Flywheel, Rewind Starter

REF NO	PART NO	QTY	DESCRIPTION
23A	691987		FLYWHEEL
55	691421		HOUSING, Rewind Starter
55A	492831		HOUSING-REWIND STR
57	491889		SPRING, Rewind Starter
58	280399S		ROPE-STARTER -(Cut To Required Length)
59A	396892		INSERT-GRIP
60	281434S		GRIP, Starter Rope -(1 Piece)
60B	393152		GRIP-STARTER ROPE -(2 Piece)
60C	799716		GRIP, Starter Rope
65	690759		SCREW -(Rewind Starter) (Use With Spring/Dog Kit Starter)
65	690837		SCREW -(Rewind Starter)
73	691221		SCREEN, Rotating
101A	262626		PIN, Starter Grip
144	493824		PULLEY/SPRING ASSEMBLY -(Pulley)
276A	280973		WASHER -(Rewind Starter)
332	690662		NUT -(Flywheel)
363	19069		PULLER, Flywheel
455	791960		CUP, Flywheel
455A	224250		CUP-FLYWHEEL -(Straight Side Cup)
456	692299		PLATE-PAWL FRICTION
456A	224321		PLATE, Pawl Friction -(Use With Spring/Dog Kit Starter)
459	281505S		PAWL-RATCHET
459A	492833		SPRING, Ratchet -(Use With Spring/Dog Kit Starter)
592	690800		NUT -(Rewind Starter)
597	691696		SCREW -(Pawl Friction Plate)
608	497680		STARTER, Rewind
608A	497598		STARTER-REWIND
678	224278		SPACER -(Rewind)
689	691855		SPRING-FRICTION
689A	262625		SPRING, Friction
946	691738		STOP, Rope
1005	691346		FAN, Flywheel
1134	224322		WASHER -(Pawl Friction Plate)
1210	498144		PULLEY/SPRING ASSY -(Pulley)
1211	498144		PULLEY/SPRING ASSY -(Spring)

## Replacement Engine - US & Canada

REF NO	PART NO	QTY	DESCRIPTION
	104M020197F1	1	Replacement Engine
	792738	1	Replacement Short Block
	-----		Top No-Load Speed: 3100 -Trim: ALL

Not For Reproduction



