

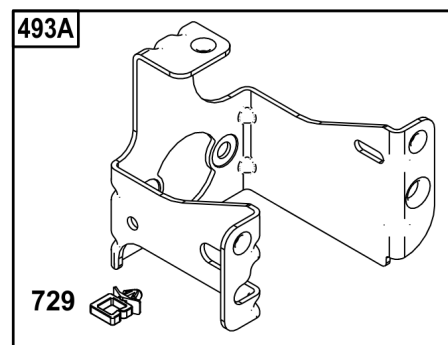
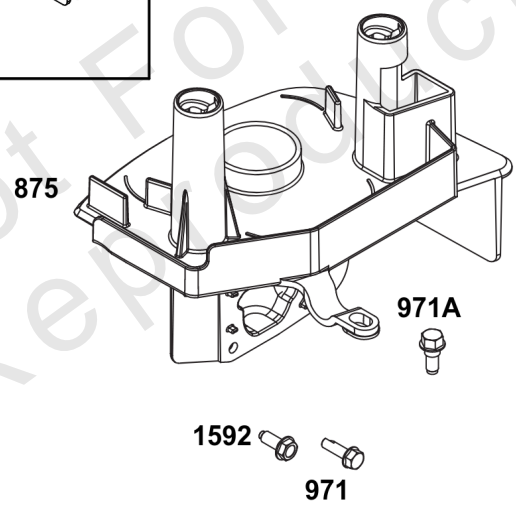
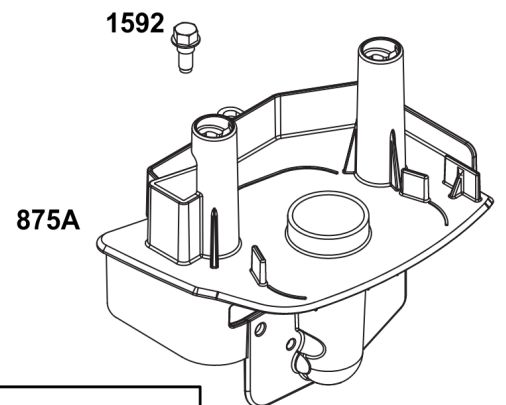
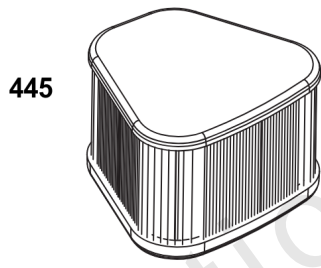
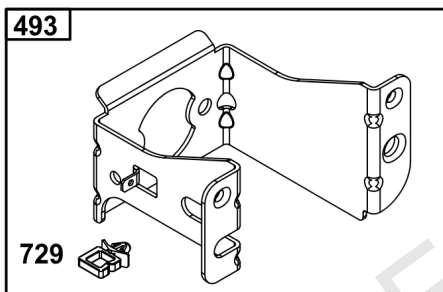
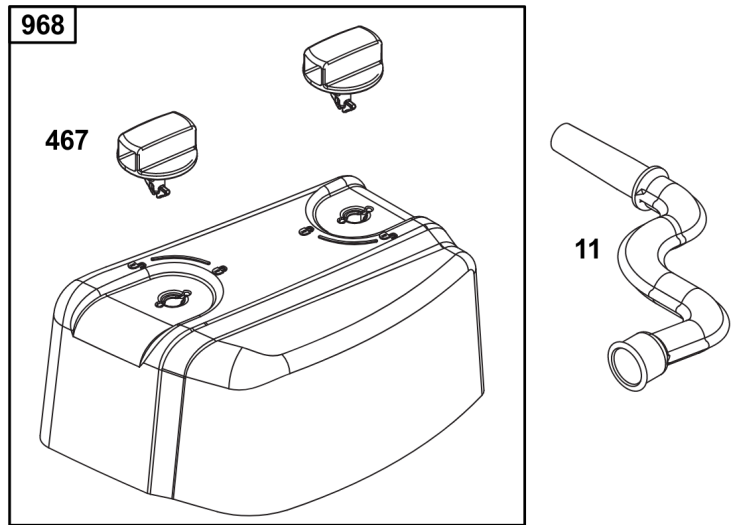


Parts Manual

Mfg. No: 123P02-0018-F1

Model Components	Page
Air Cleaner Group.....	4
Blower Housing.....	6
Carburetor Group.....	8
Controls Group.....	10
Crankshaft Group.....	12
Cylinder Group.....	14
Cylinder Head Group.....	16
Exhaust Group.....	18
Flywheel, Ignition, and Starter Group.....	20
Fuel Supply Group.....	22
Replacement Engine US & Canada.....	24
Sump and Lubrication Group.....	25

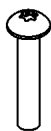
Not For
Reproduction



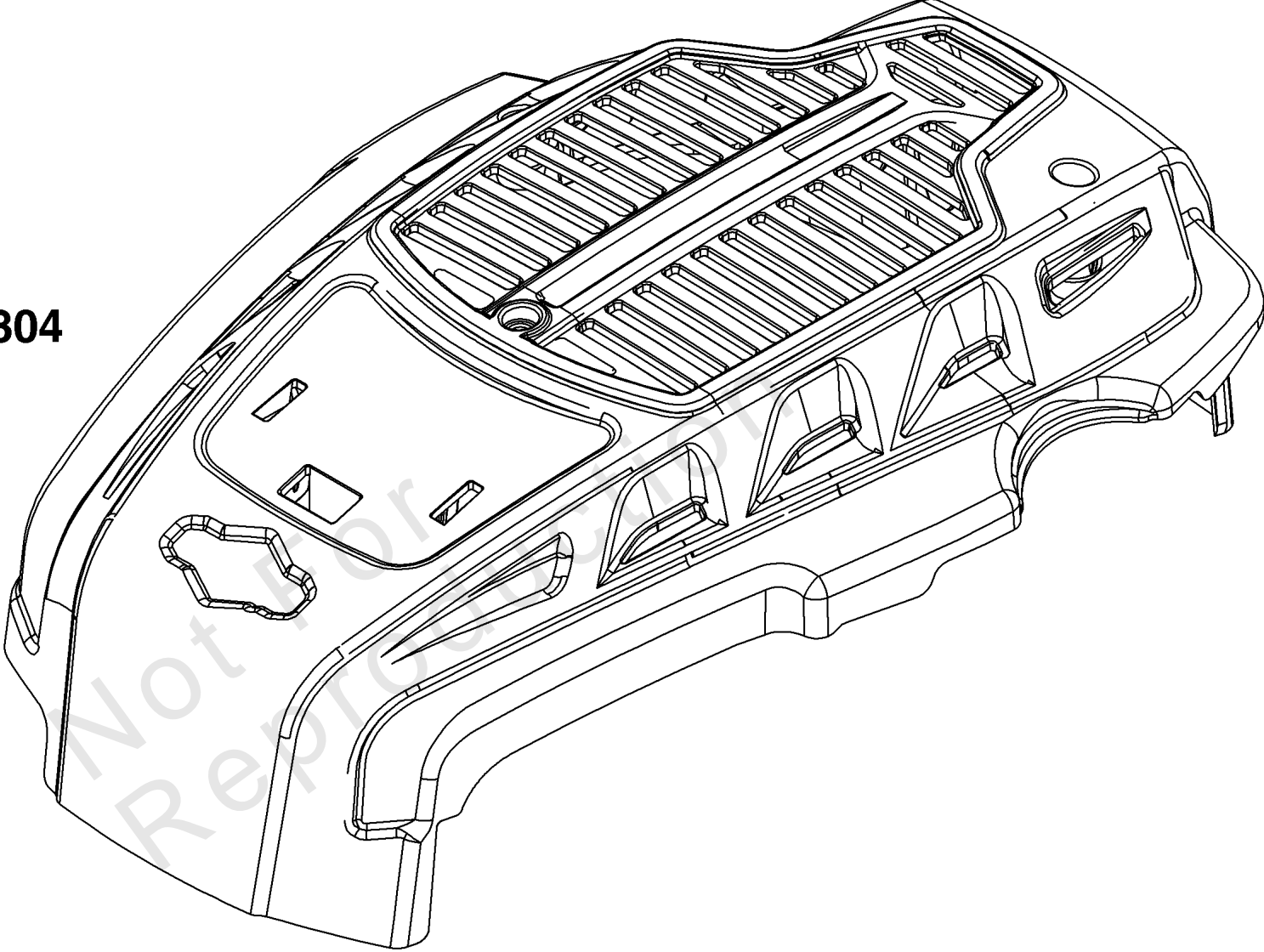
Air Cleaner Group

REF NO	PART NO	QTY	DESCRIPTION
11	597409	1	TUBE, Breather
445	597265	1	FILTER, A/C Cartridge
467	597244	2	KNOB, Air Cleaner Cover
493	-----	1	BRACKET, Mounting -(Part information located in Carburetor Group.)
493A	-----	1	BRACKET, Mounting -(Part information located in Carburetor Group.)
729	-----	1	CLIP, Wire -(Part information located in Carburetor Group.)
875	597446	1	BASE, Air Cleaner -Used Before Code Date 20072700
875A	84006041	1	BASE, Air Cleaner -Used After Code Date 20072600
968	597401	1	COVER, Air Cleaner
971	590552	2	SCREW -(Air Cleaner Base to Carburetor/Throttle Body)
971A	597410	1	SCREW -Used Before Code Date 20072700
1592	793480	2	SCREW -(Air Cleaner Base to Mounting Bracket) -Used Before Code Date 20072700
1592	793480	3	SCREW -(Air Cleaner Base to Mounting Bracket) -Used After Code Date 20072600

1036 

305 

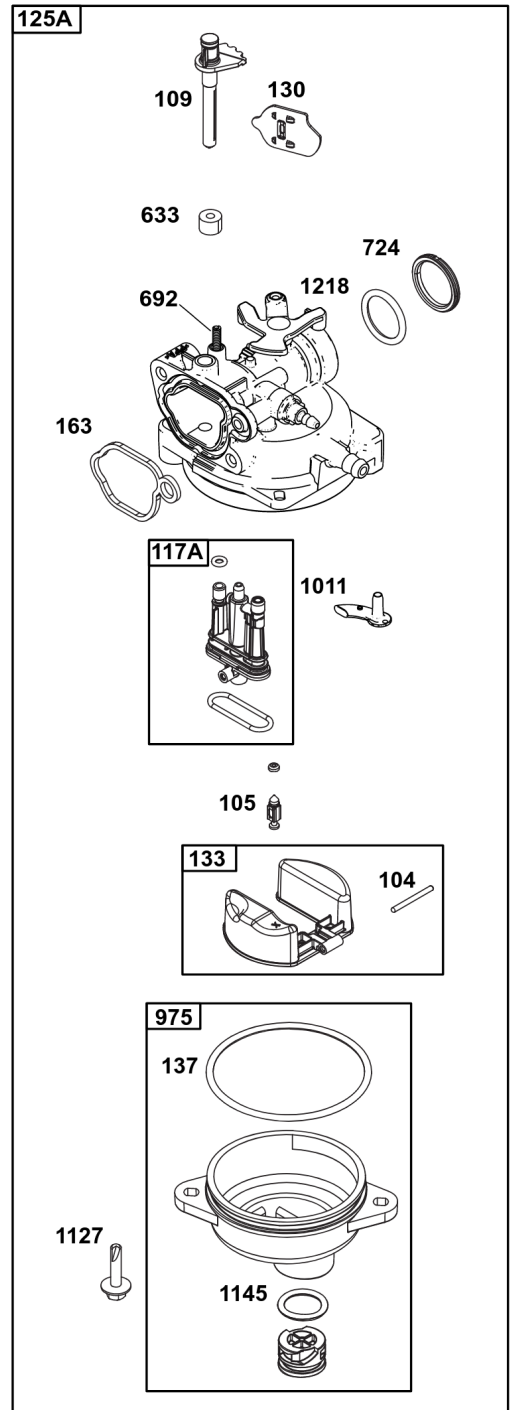
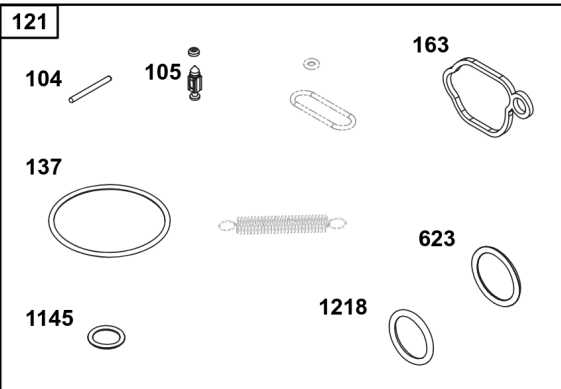
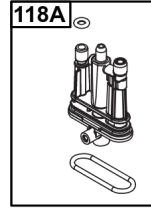
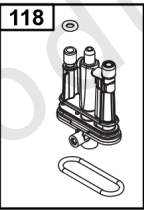
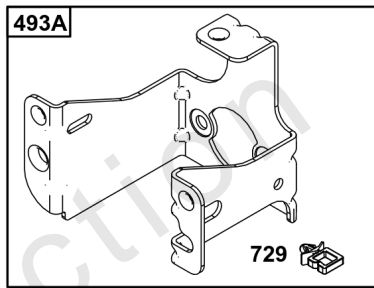
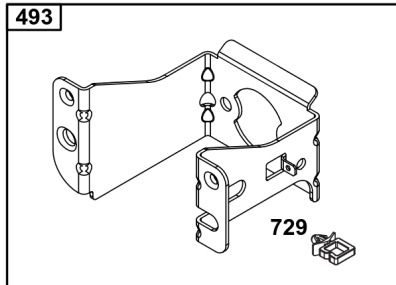
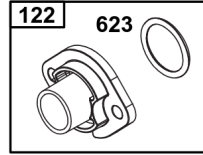
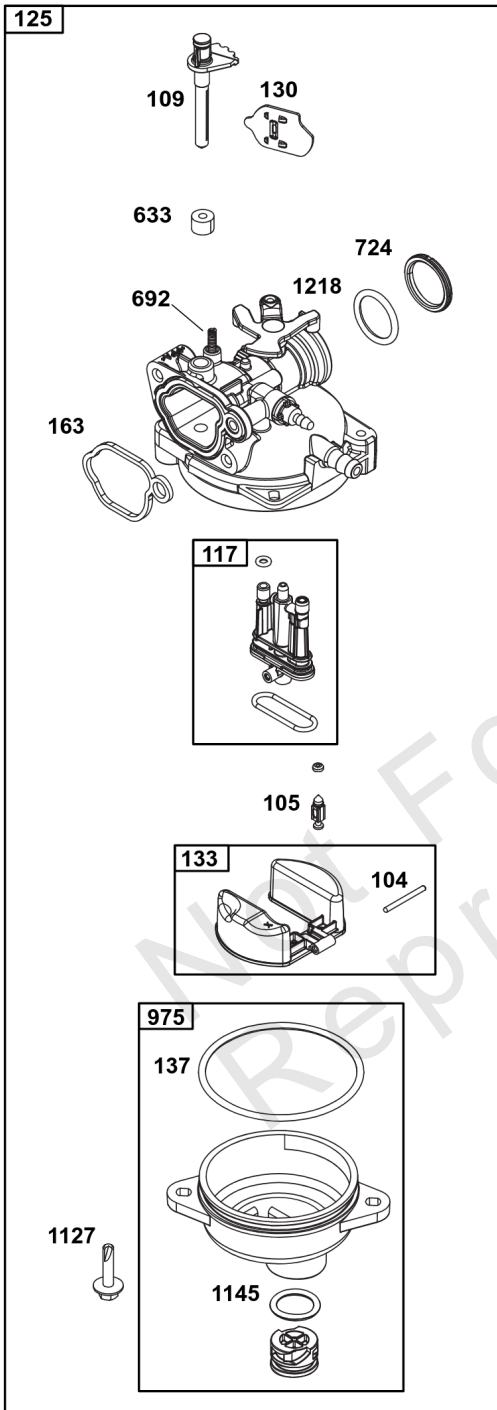
304



Blower Housing

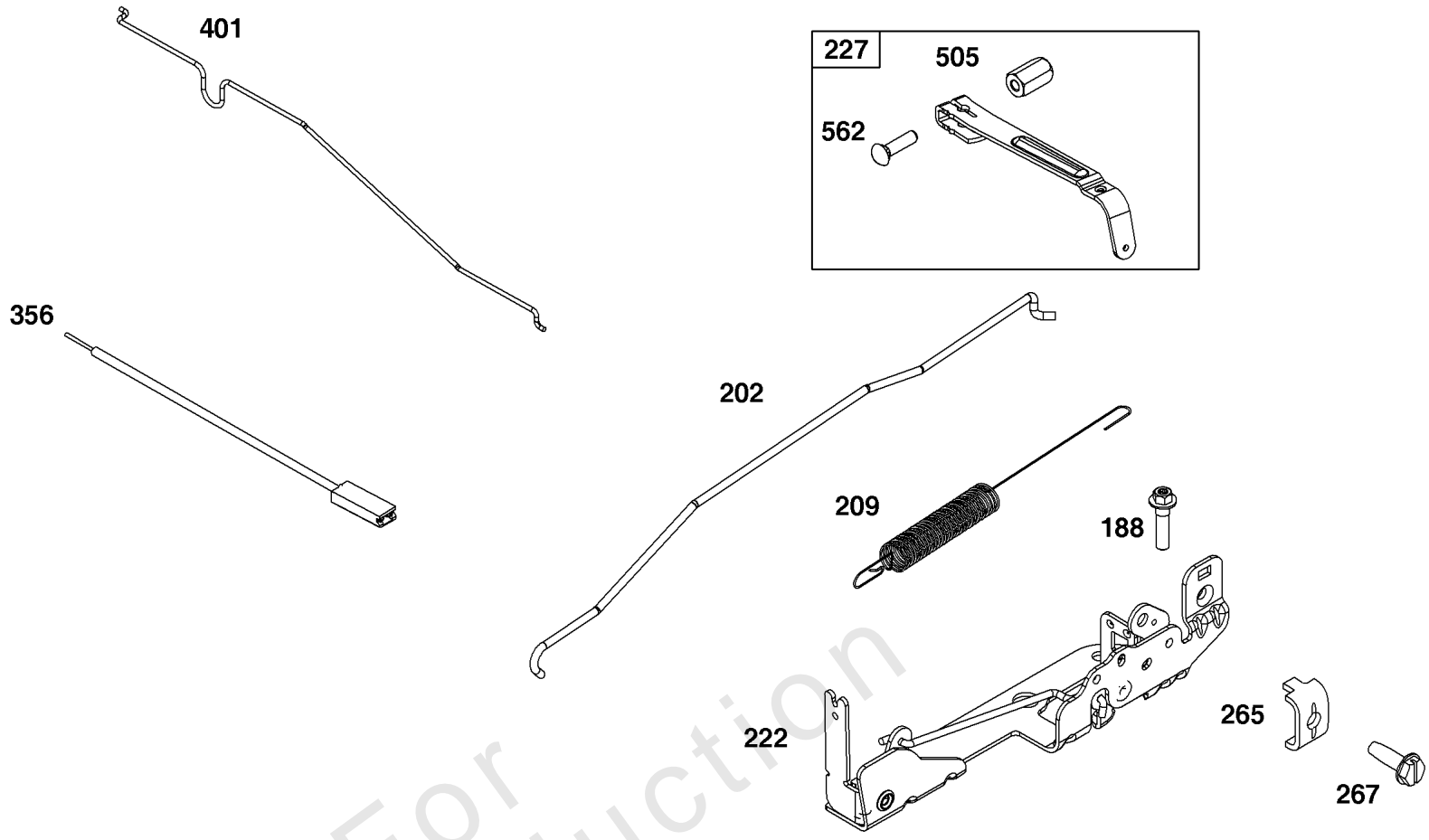
REF NO	PART NO	QTY	DESCRIPTION
304	597411	1	HOUSING, Blower
305	594115	3	SCREW -(Blower Housing)
1036	-----	1	LABEL, Emissions -(Available from a Briggs & Stratton Authorized Dealer)

Not For Reproduction



Carburetor Group

REF NO	PART NO	QTY	DESCRIPTION
104	590558	1	PIN, Float Hinge
105	594581	1	VALVE, Float Needle
109	597117	1	SHAFT, Choke
117	597270	1	JET, Main -(Standard) (-Used Before Code Date 21112400)
117A	84007560	1	JET, Main -(Standard) (-Used After Code Date 21112300)
118	84007729	1	JET, Main -(High Altitude) (-Used Before Code Date 21112400)
118A	84007562	1	JET, Main -(High Altitude) (-Used After Code Date 21112300)
121	594636	1	KIT, Carburetor Overhaul -(Service Kits may include extra parts not specific to this engine.)
122	590549	1	SPACER, Carburetor
125	597097	1	CARBURETOR -(-Used Before Code Date 21112400)
125A	84007567	1	CARBURETOR -(-Used After Code Date 21112300)
130	597444	1	VALVE, Choke
133	591120	1	FLOAT, Carburetor
137	594633	1	GASKET, Float Bowl
163	799580	1	GASKET, Air Cleaner -(Air Cleaner)
493	593330	1	BRACKET, Mounting -Used Before Code Date 20072700
493A	84006039	1	BRACKET, Mounting -Used After Code Date 20072600
623	799581	1	SEAL, O-Ring
633	84002188	1	SEAL, Choke/Throttle Shaft
692	590931	1	SPRING, Detent
724	697478	1	RETAINER, Seal
729	594752	1	CLIP, Wire
951	597442	1	LEVER, Choke
975	594632	1	BOWL, Float
1011	84006438	1	TUBE, VENT
1127	590554	2	SCREW -(Float Bowl to Carburetor Body)
1145	597314	1	SEAL, O-Ring
1218	270344S	1	SEAL, O-Ring -(Carburetor)
1238	590562	2	SCREW -(Carburetor Spacer)

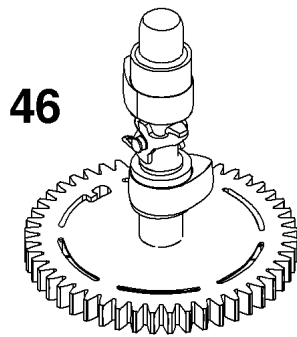
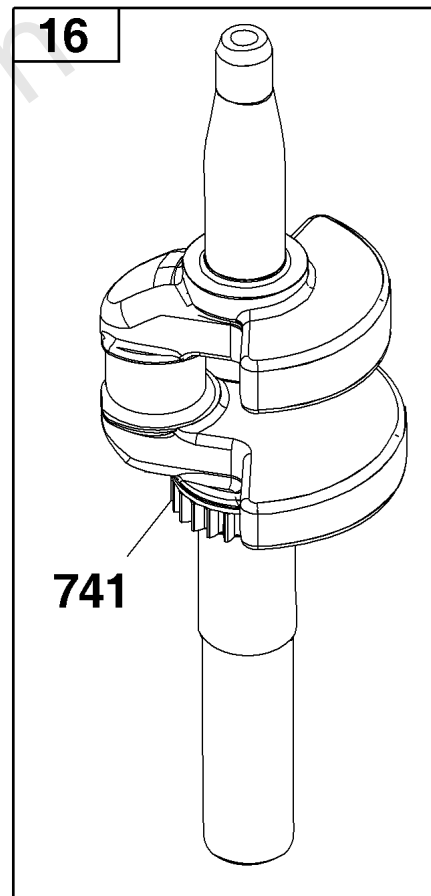
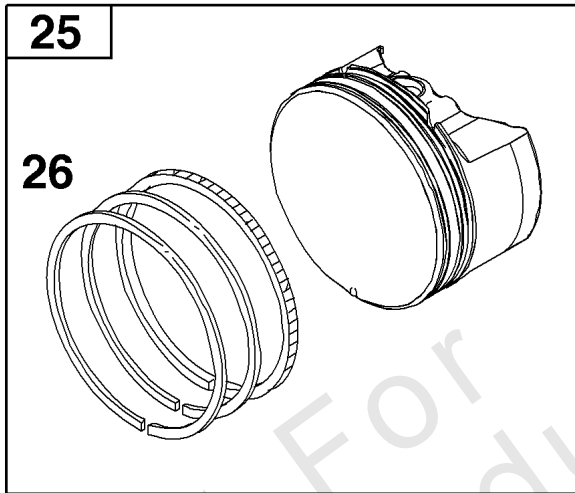
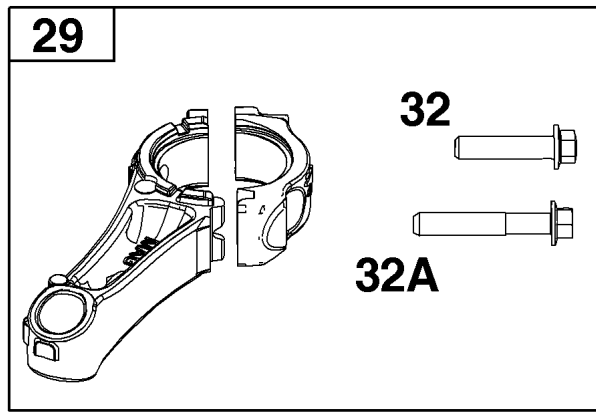
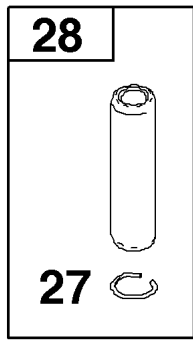


Not For
Reproduction

Controls Group

REF NO	PART NO	QTY	DESCRIPTION
188	793480	2	SCREW -(Control Bracket)
202	597337	1	LINK, Mechanical Governor
209	597439	1	SPRING, Governor
222	597273	1	BRACKET, Control
227	597336	1	LEVER, Governor Control
265	691024	1	CLAMP, Casing
267	692577	1	SCREW -(Casing Clamp)
356	692390	1	WIRE, Stop
401	597323	1	LINK, Choke
505	597312	1	NUT -(Governor Control Lever)
562	793514	1	BOLT -(Governor Lever)

Not For Reproduction



Crankshaft Group

REF NO	PART NO	QTY	DESCRIPTION
16	597441	1	CRANKSHAFT
24	222698S	1	KEY, Flywheel
25	591284	1	PISTON ASSEMBLY
25	591285	1	PISTON ASSEMBLY -(.020" Oversize)
26	591286	1	SET, Ring
26	591287	1	SET, Ring -(.020" Oversize)
27	691588	1	LOCK, Piston Pin
28	298909	1	PIN, Piston
29	796470	1	ROD, Connecting
32	691664	1	SCREW -(Connecting Rod)(Short)
32A	695759	1	SCREW -(Connecting Rod)(Long)
46	694039	1	CAMSHAFT
598	592587	1	SHIM, End Play
741	797521	1	GEAR, Timing

Not For Reproduction



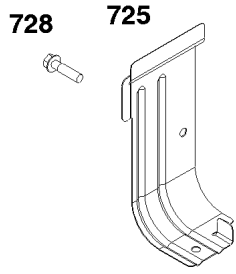
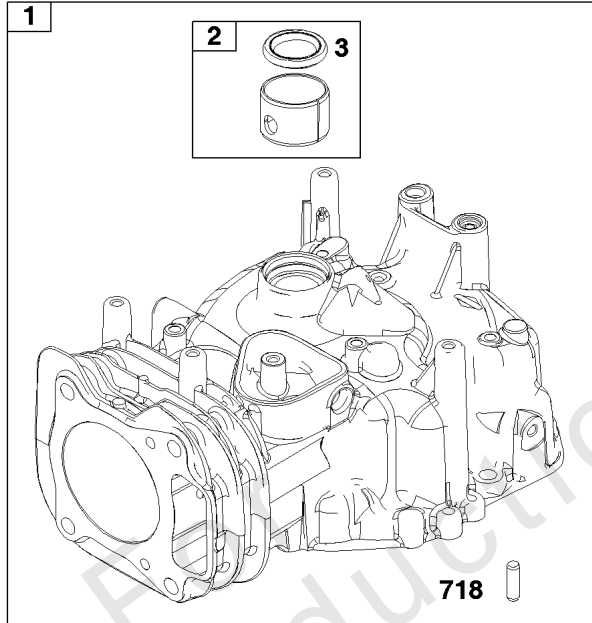
615

404

616

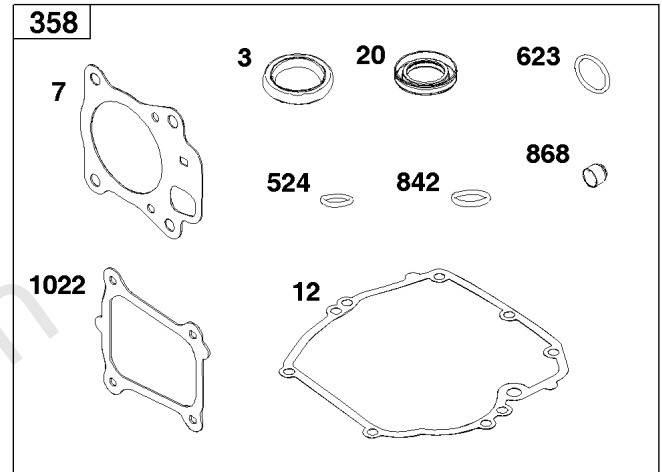
1264

1263



728

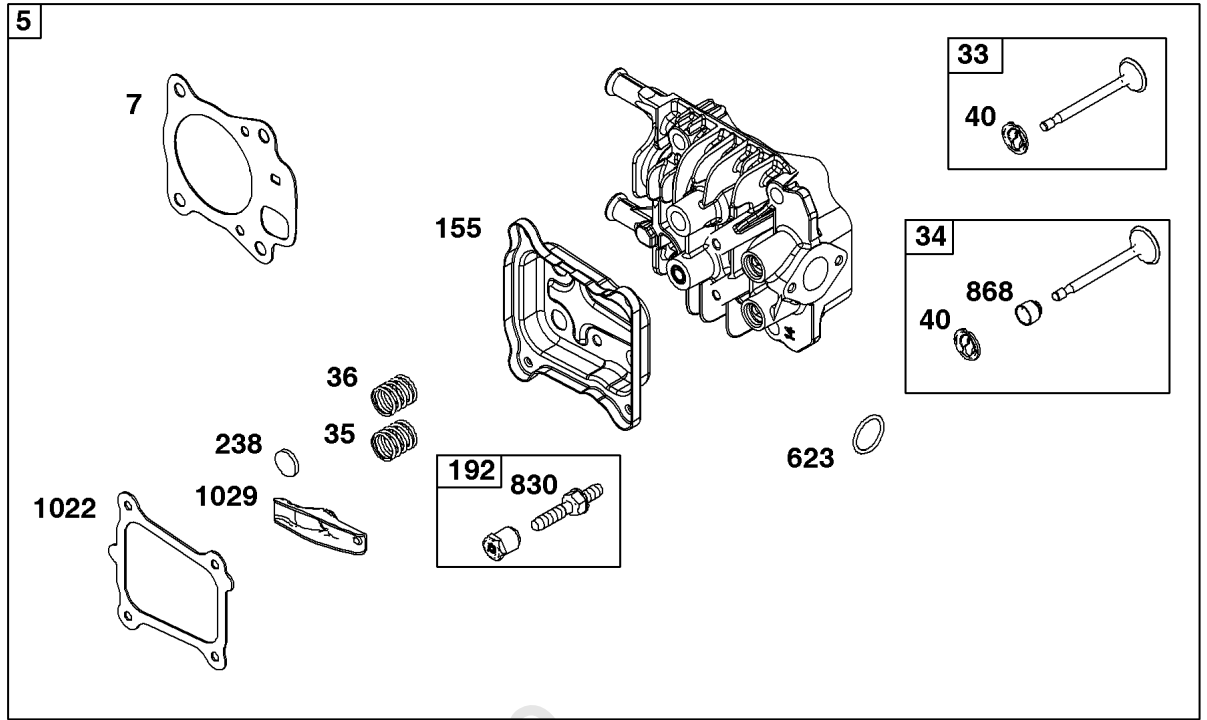
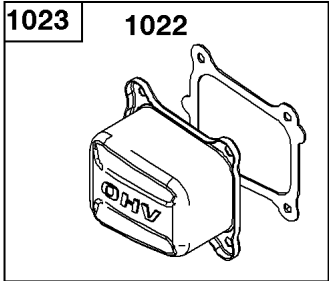
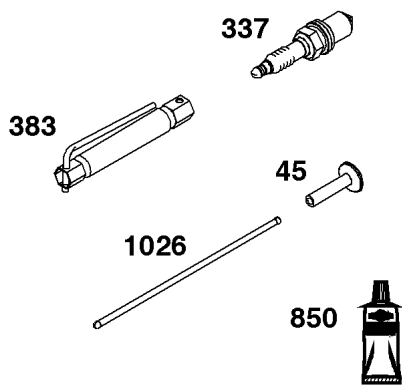
718



Not Reproduction

Cylinder Group

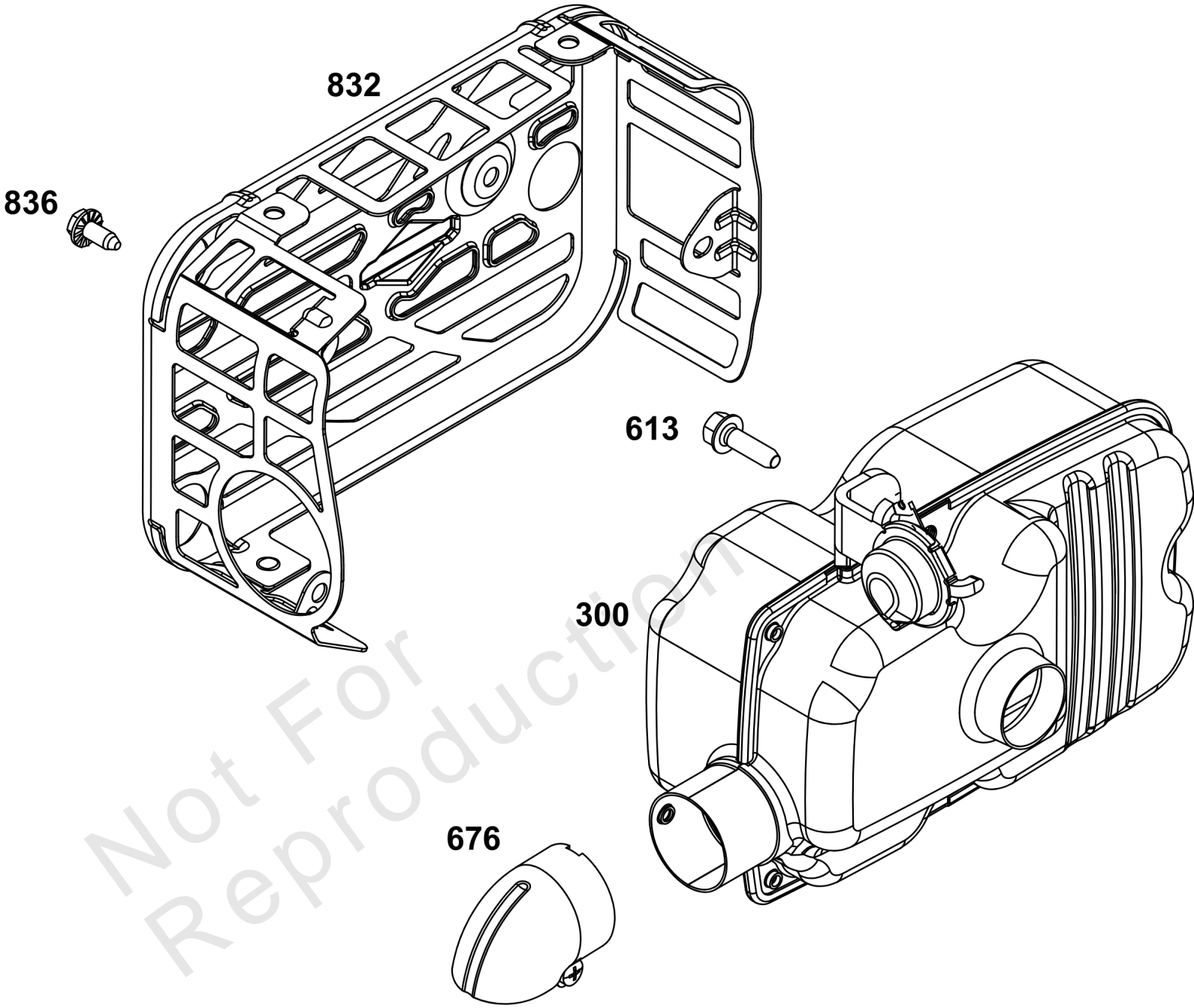
REF NO	PART NO	QTY	DESCRIPTION
1	84002337	1	CYLINDER ASSEMBLY
2	796961	1	KIT, Bushing/Seal -(Magneto Side)
3	299819S	1	SEAL, Oil -(Magneto Side)
7	796475	1	GASKET, Cylinder Head
12	692232	1	GASKET, Crankcase
20	-----	1	SEAL, Oil -(Part information located in Crankcase Cover/Sump and Lubrication Group.)
358	597320	1	GASKET SET, Engine -(Service Kits may include extra parts not specific to this engine.)
404	690272	1	WASHER -(Governor Crank)
524	-----	1	SEAL, O-Ring -(Part information located in Crankcase Cover/Sump and Lubrication Group.)
615	690340	1	RETAINER, Governor Shaft
616	84007235	1	CRANK, Governor
623	-----	1	SEAL, O-Ring -(Part information located in Carburetor Group.)
718	690959	2	PIN, Locating
725	597313	1	SHIELD, Heat
728	793480	2	SCREW -(Heat Shield)
842	-----	1	SEAL, O-Ring -(Part information located in Crankcase Cover/Sump and Lubrication Group.)
868	-----	1	SEAL, Valve -(Part information located in Cylinder Head Group.)
1022	-----	1	GASKET, Rocker Cover -(Part information located in Cylinder Head Group.)
1263	697124	1	REED, Breather
1264	793453	1	SCREW -(Breather Reed)
1319	794467	1	LABEL, Warning



Not For
Reproduction

Cylinder Head Group

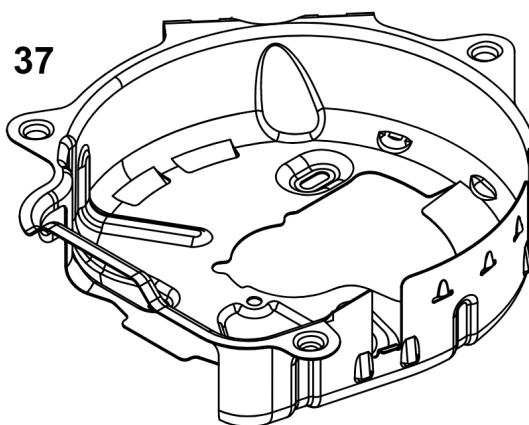
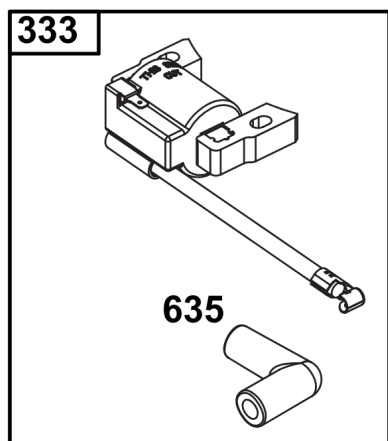
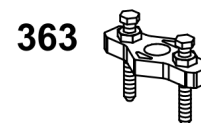
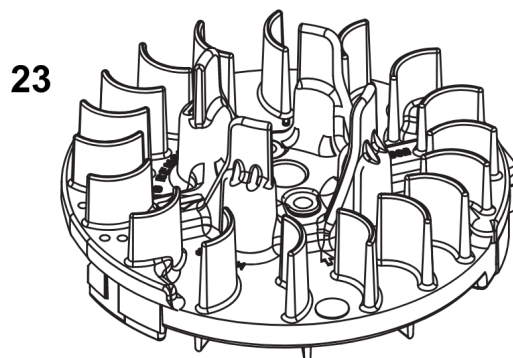
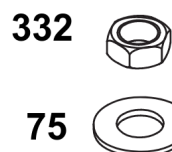
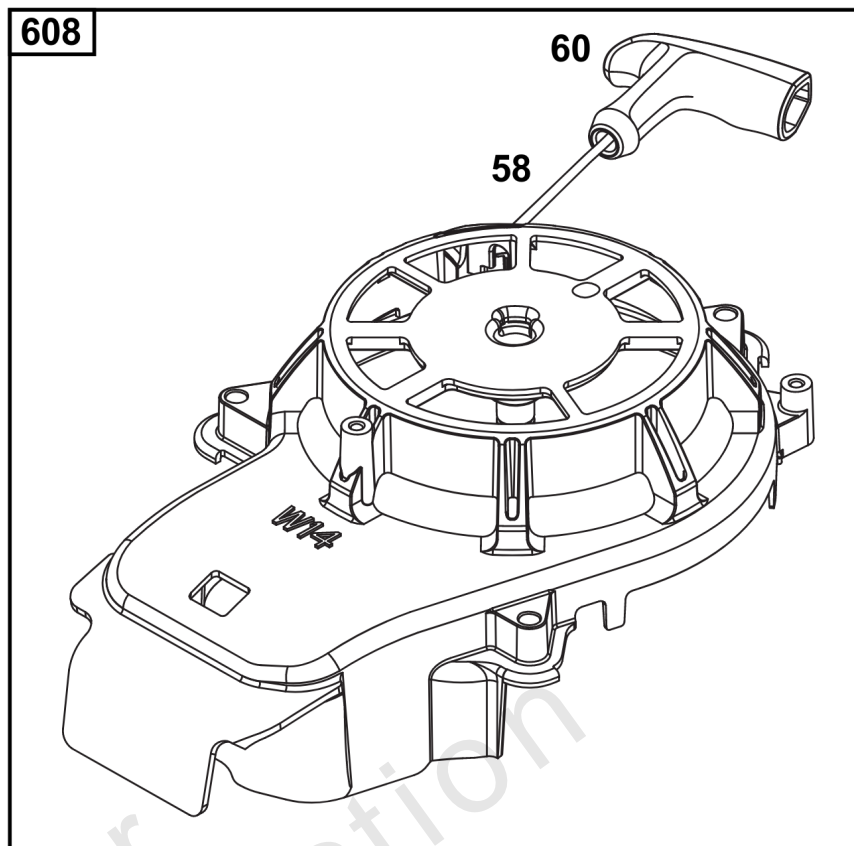
REF NO	PART NO	QTY	DESCRIPTION
5	597267	1	HEAD, Cylinder
7	796475	1	GASKET, Cylinder Head
13	799277	4	SCREW -(Cylinder Head)
33	499642	1	VALVE, Exhaust
34	795443	1	VALVE, Intake
35	597303	1	SPRING, Valve -(Intake)
36	597303	1	SPRING, Valve -(Exhaust)
40	692194	2	RETAINER, Valve
45	690977	2	TAPPET, Valve
155	597311	1	PLATE, Cylinder Head
192	84007234	2	ADJUSTER, Rocker Arm
238	691300	2	CAP, Valve
337	692051	1	PLUG, Spark
383	19576S	1	WRENCH, Spark Plug
623	-----	1	SEAL, O-Ring -(Part information located in Carburetor Group.)
718	690959	2	PIN, Locating
830	597315	2	STUD, Rocker Arm
850	-----	1	SEALANT, Liquid -(Part information located in Crankcase Cover/Sump and Lubrication Group.)
868	597316	1	SEAL, Valve
914	591103	4	SCREW -(Rocker Cover)
1022	597318	1	GASKET, Rocker Cover
1023	597280	1	COVER, Rocker
1026	796481	2	ROD, Push
1029	691230	2	ARM, Rocker



Exhaust Group

REF NO	PART NO	QTY	DESCRIPTION
300	597288	1	MUFFLER -(With Thermostat)
613	590562	2	SCREW
676	594563	1	DEFLECTOR, Muffler
832	597405	1	GUARD, Muffler
836	690661	4	SCREW -(Muffler Guard)

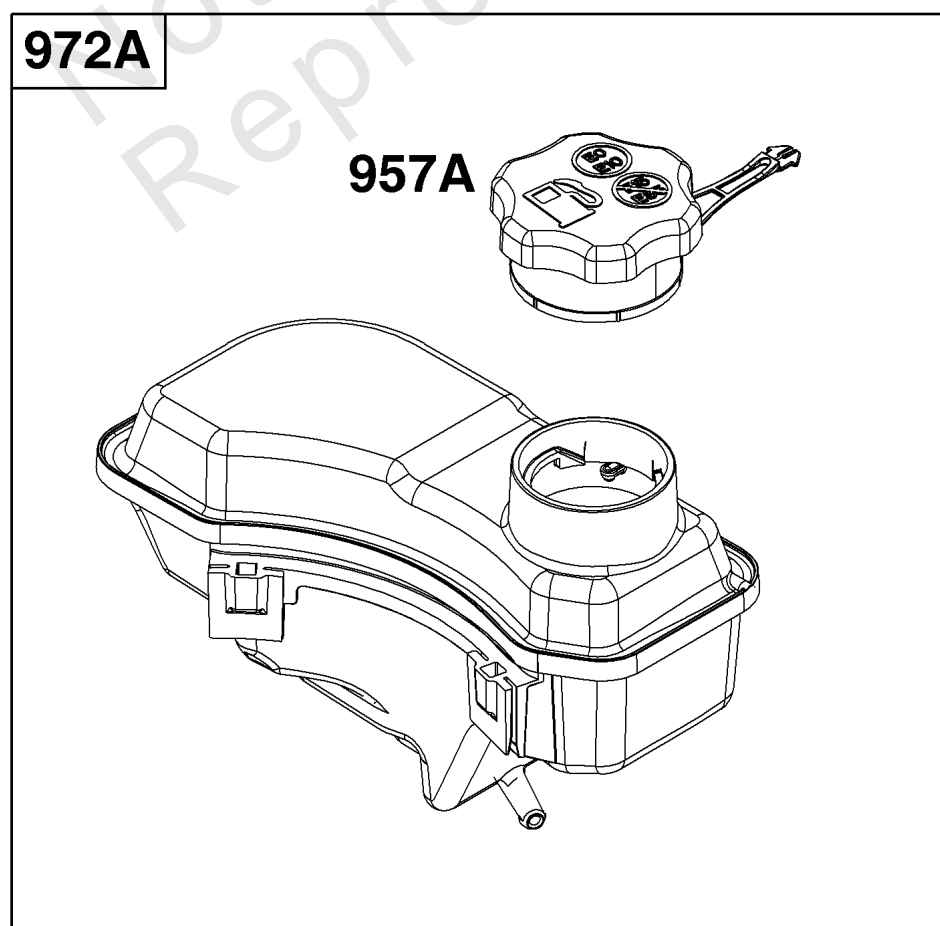
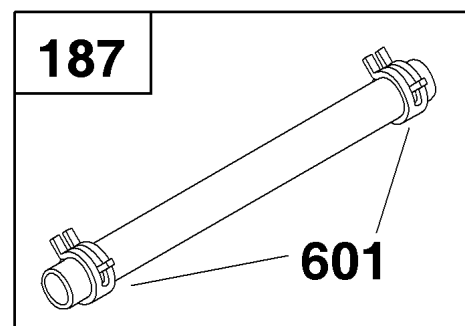
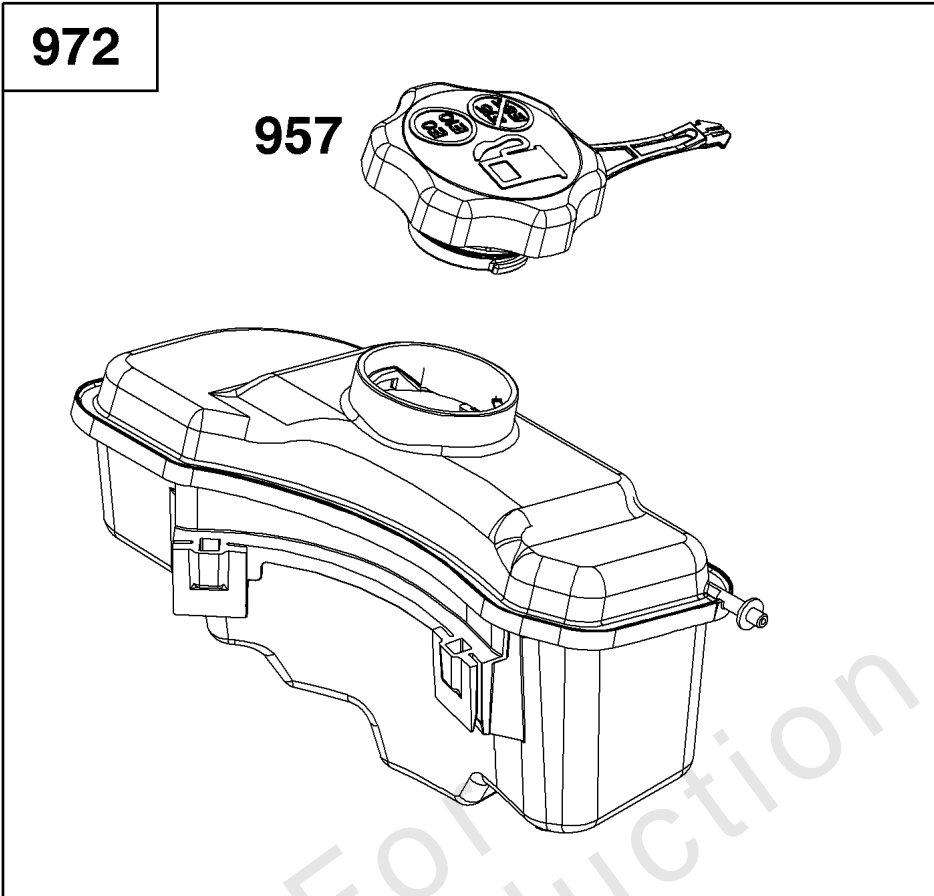
Not For Reproduction



Flywheel, Ignition, and Starter Group

REF NO	PART NO	QTY	DESCRIPTION
23	597504	1	FLYWHEEL
37	595290	1	HOUSING, Blower -(Without Brake Cut Out)
58	591108	1	ROPE, Starter
60	281434S	1	GRIP, Starter Rope
65	590586	3	SCREW -(Rewind Starter)
75	691736	1	WASHER -(Flywheel)
78	793480	2	SCREW -(Flywheel Guard)
332	690662	1	NUT -(Flywheel)
333	595554	1	ARMATURE, Magneto
334	793454	2	SCREW -(Magneto Armature)
363	19203	1	PULLER, Flywheel
608	597268	1	STARTER, Rewind
635	692076	1	BOOT, Spark Plug

Not For Reproduction



Fuel Supply Group

REF NO	PART NO	QTY	DESCRIPTION
187	791766	1	LINE, Fuel
601	791850	2	CLAMP, Hose
957	597414	1	CAP, Fuel Tank -Used Before Code Date 20010100
957A	84004416	1	CAP, Fuel
972	594112	1	TANK, Fuel -Used Before Code Date 20010100
972A	84004115	1	TANK, Fuel -Used After Code Date 19123100

Not For Reproduction

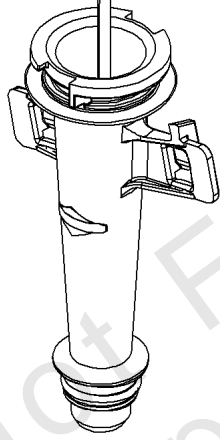
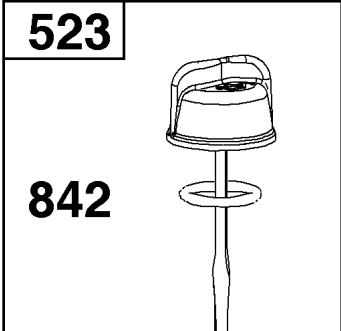
Replacement Engine US & Canada

REF NO	PART NO	QTY	DESCRIPTION
	125P070054F1	1	Replacement Engine
	-----		Top No-Load Speed: 3400

Not For Reproduction

718 

847



524 

4

12 

15 

20 

43 

22 

Sump and Lubrication Group

REF NO	PART NO	QTY	DESCRIPTION
4	493279	1	SUMP, Engine
12	692232	1	GASKET, Crankcase
15	691680	1	PLUG, Oil Drain
20	399781S	1	SEAL, Oil -(PTO Side)
22	691092	7	SCREW -(Crankcase Cover/Sump)
43	593913	1	SLINGER, Governor/Oil
523	796503	1	DIPSTICK -(Black)
524	691876	1	SEAL, O-Ring -(Dipstick Tube)
718	690959	2	PIN, Locating
842	691031	1	SEAL, O-Ring -(Dipstick Cap)
847	596092	1	DIPSTICK/TUBE ASSEMBLY

Not For Reproduction

