



# Parts Manual

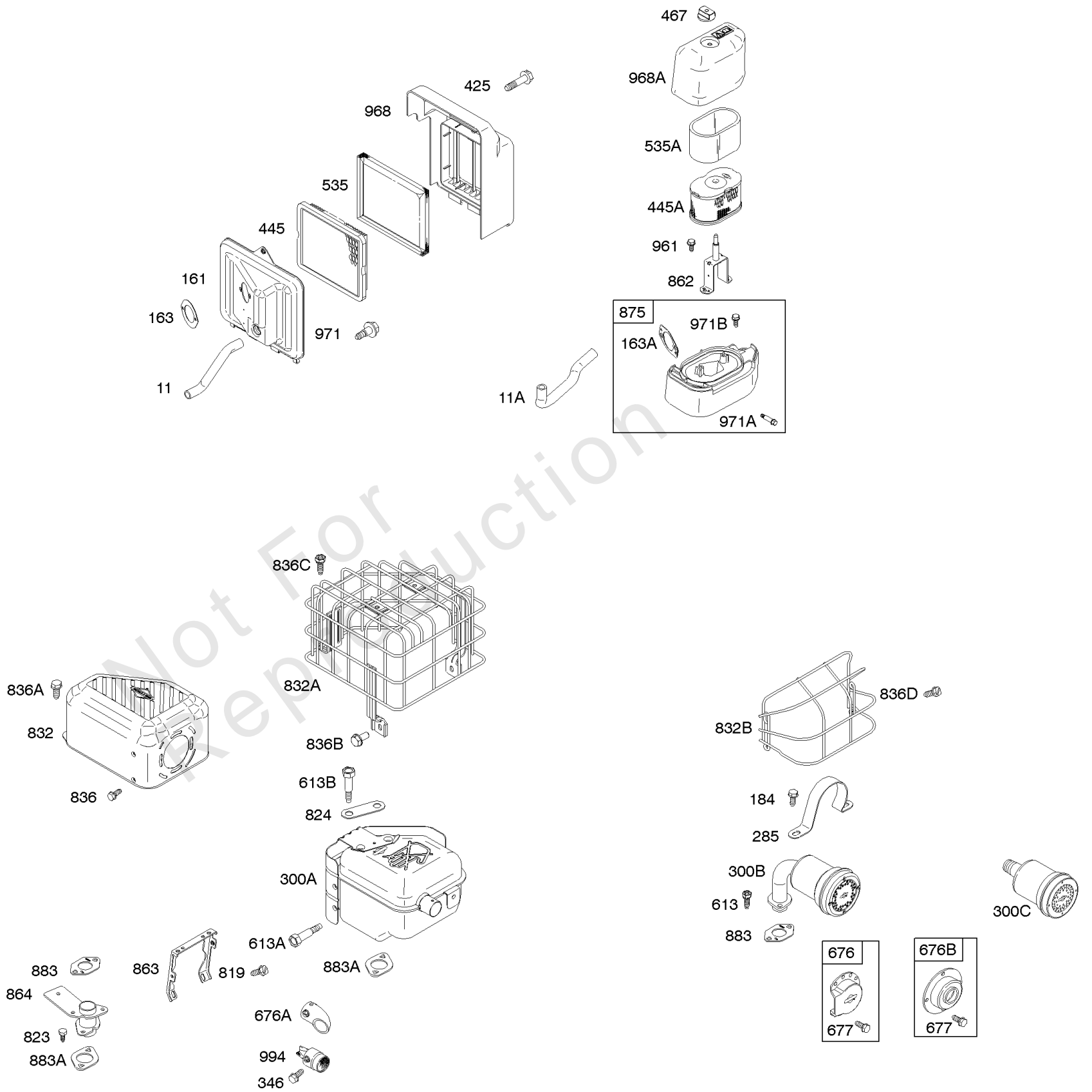
Mfg. No: 110412-0144-E1



---

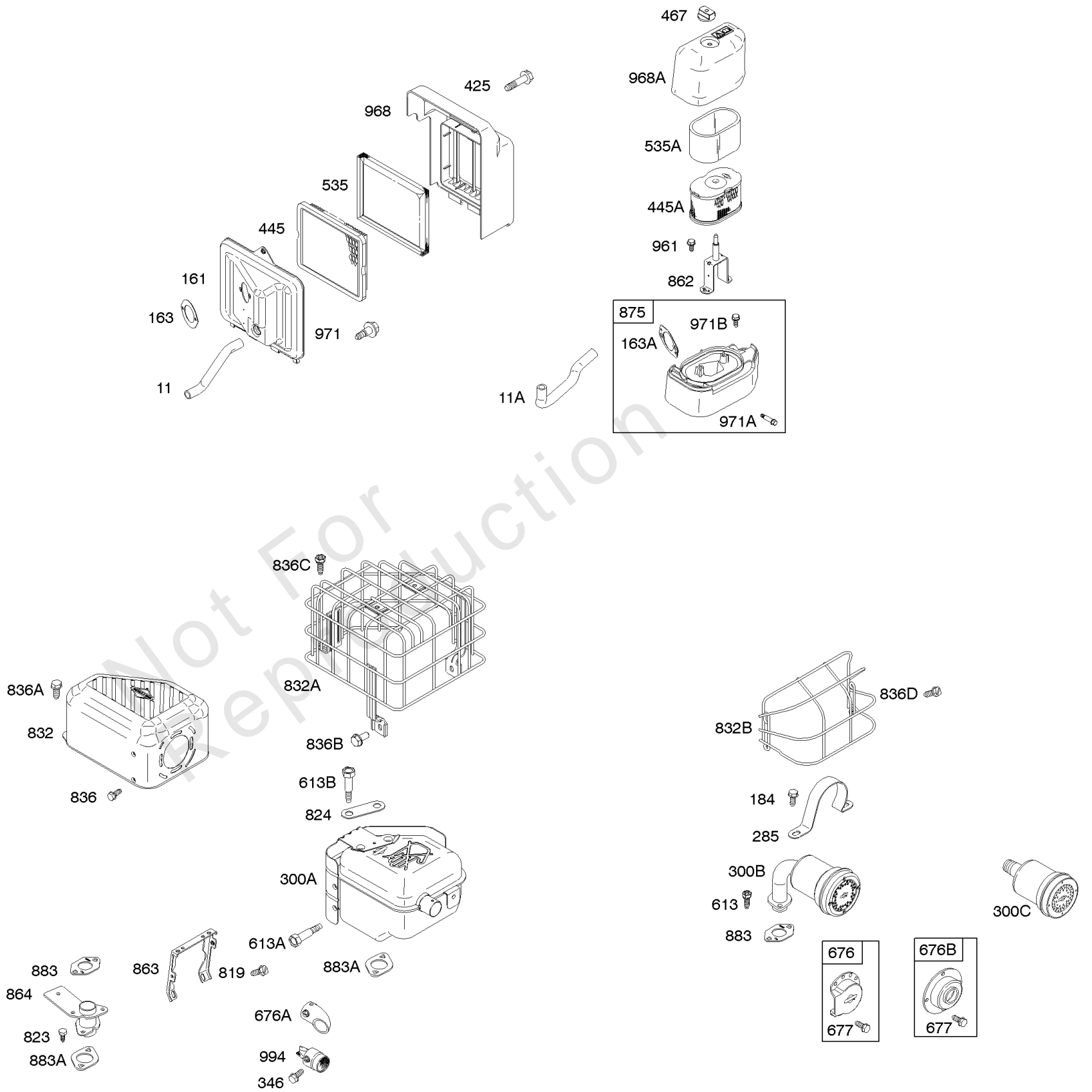
<b>Model Components</b>	<b>Page</b>
Air Cleaners, Mufflers. ....	4
Carburetor, Carburetor Gasket Kits. ....	8
Cylinder Head, Valve Gasket Set. ....	10
Cylinders, Crankshaft, Engine Gasket Set. ....	12
Electric Starter, Gear Reduction. ....	14
Flywheel, Blower Housing, Rewind Starter. ....	16
Fuel Tank, Fuel Hoses. ....	18
Panels, Controls, Springs, Alternator, Wires. ....	20
Piston/Rings/Connecting Rod, Crankcase Covers. ....	24
Replacement Engine - US & Canada. ....	26

Not For  
Reproduction



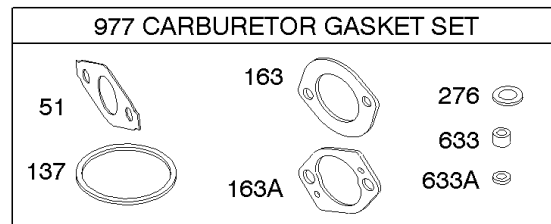
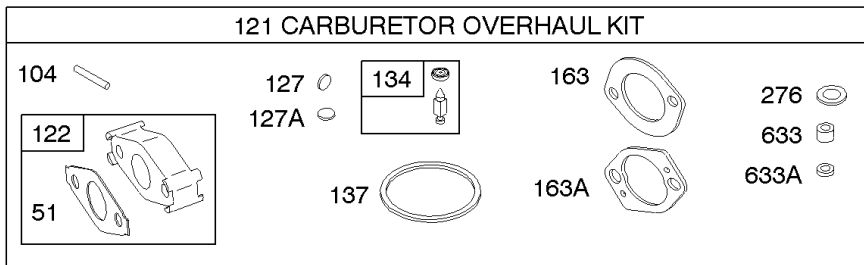
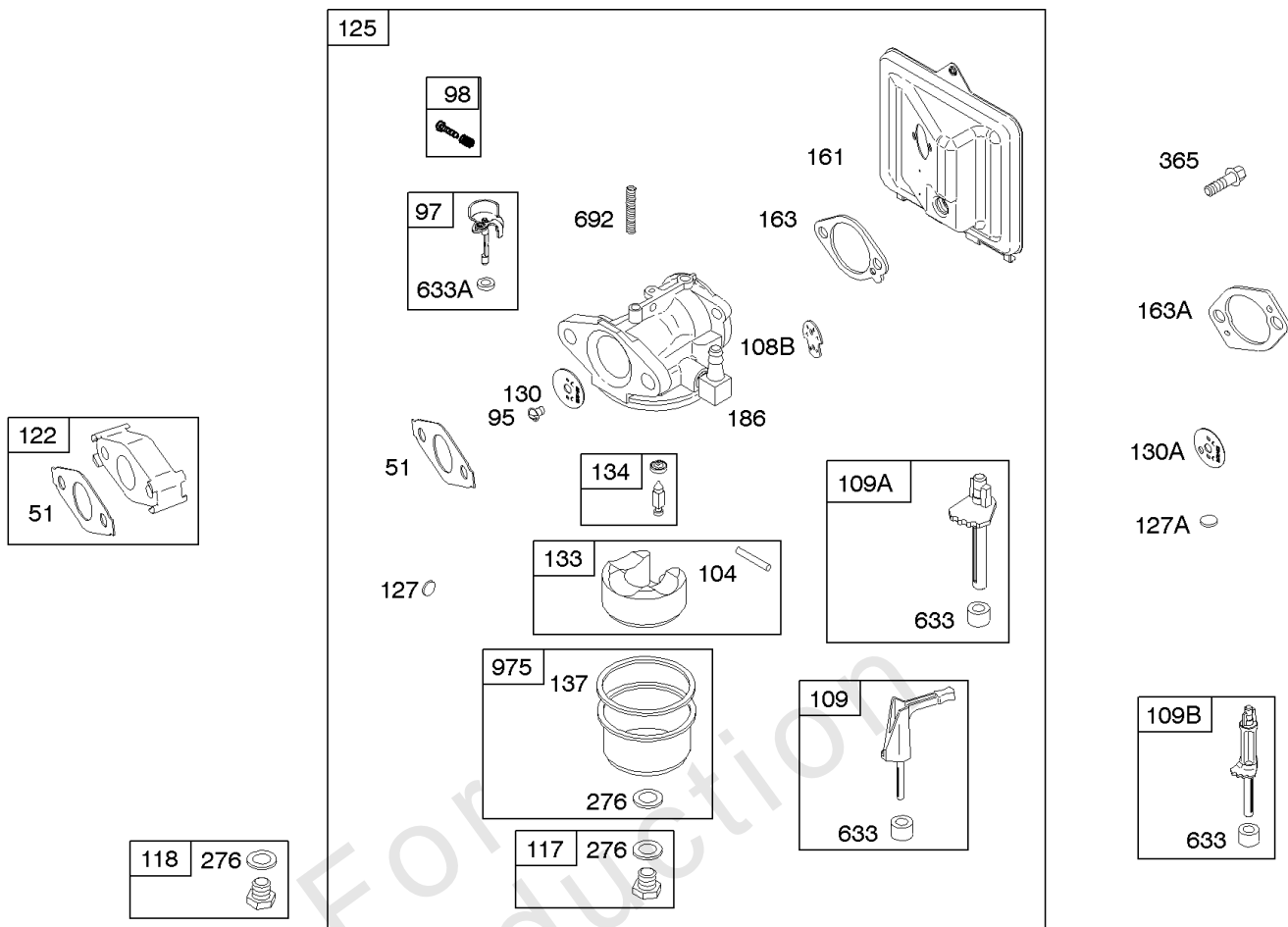
## Air Cleaners, Mufflers

REF NO	PART NO	QTY	DESCRIPTION
11	692600		TUBE, Breather -(Flat Panel Air Cleaner)
11A	693647		TUBE, Breather -(High Mount Air Cleaner)
161	692579		BASE, Air Cleaner -(Metal) (Flat Panel)
163	272948S		GASKET, Air Cleaner -(Flat Panel)
184	691685		SCREW -(Muffler Strap)
285	692595		STRAP, Muffler
300A	694429		MUFFLER -(Super Lo Tone)
300B	693593		MUFFLER -(Lo Tone)
346	690661		SCREW -(Spark Arrestor)
425	692583		SCREW -(Air Cleaner Cover)
445	491588S		FILTER, A/C Cartridge -(Flat Panel)
445A	697029		FILTER-A/C CARTRIDGE -(High Mount)
467	691668		KNOB, Air Cleaner Cover
535	493537S		FILTER, Air Cleaner Foam -(Flat Panel)
535A	273356S		FILTER-A/C FOAM -(High Mount)
613	691665		SCREW -(Muffler)
613A	694460		SCREW -(Muffler)
613B	691108		SCREW -(Muffler)
676	393757		DEFLECTOR, Muffler -(Side Outlet)
676A	696029		DEFLECTOR, Muffler
677	690661		SCREW -(Muffler Deflector)
819	691685		SCREW -(Muffler Bracket)
823	691665		SCREW -(Muffler Adapter)
824	696017		GASKET, Heat Shield
832	693583		GUARD, Muffler
832A	697818		GUARD, Muffler -(Super Lo Tone)
832B	696516		MUFFLER -(Lo Tone)
836	690661		SCREW -(Muffler Guard)
836A	693624		SCREW -(Muffler Guard)
836B	691003		SCREW -(Muffler Guard)
836C	691665		SCREW -(Muffler Guard)
836D	696519		SCREW -(Muffler Guard)



## Air Cleaners, Mufflers

REF NO	PART NO	QTY	DESCRIPTION
862	693462		STRAP/STUD, Air Cleaner Mounting
863	699229		BRACKET, Muffler
864	699232		ADAPTER, Muffler
875	693459		BASE, Air Cleaner -(Plastic) (High Mount)
883	691893		GASKET-EXHAUST -(Between Adapter And Head)
883A	692237		GASKET-EXHAUST
961	698304		SCREW -(Air Cleaner Bracket)
968	692584		COVER, Air Cleaner -(Flat Panel)
968A	693460		COVER, Air Cleaner -(High Mount)
971	690370		SCREW -(Air Cleaner Base) (Remote Choke)
971A	690349		SCREW -(Air Cleaner Base) (Remote Choke)
971B	691693		SCREW -(Air Cleaner Base) (Remote Choke)
994	690813		ARRESTOR, Spark



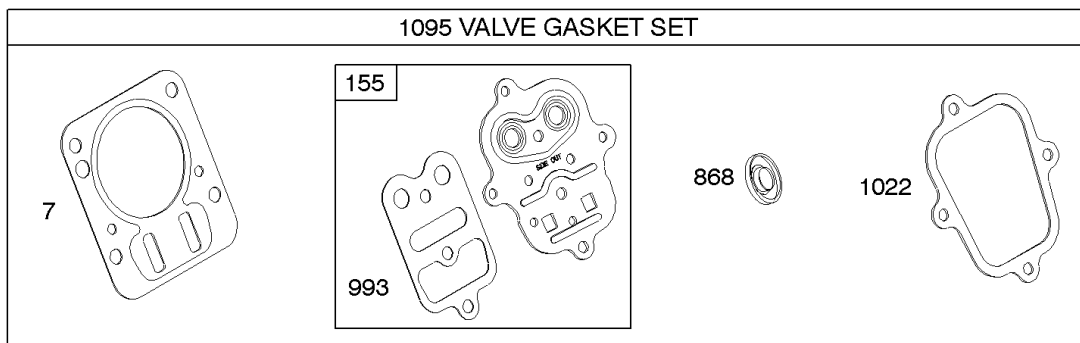
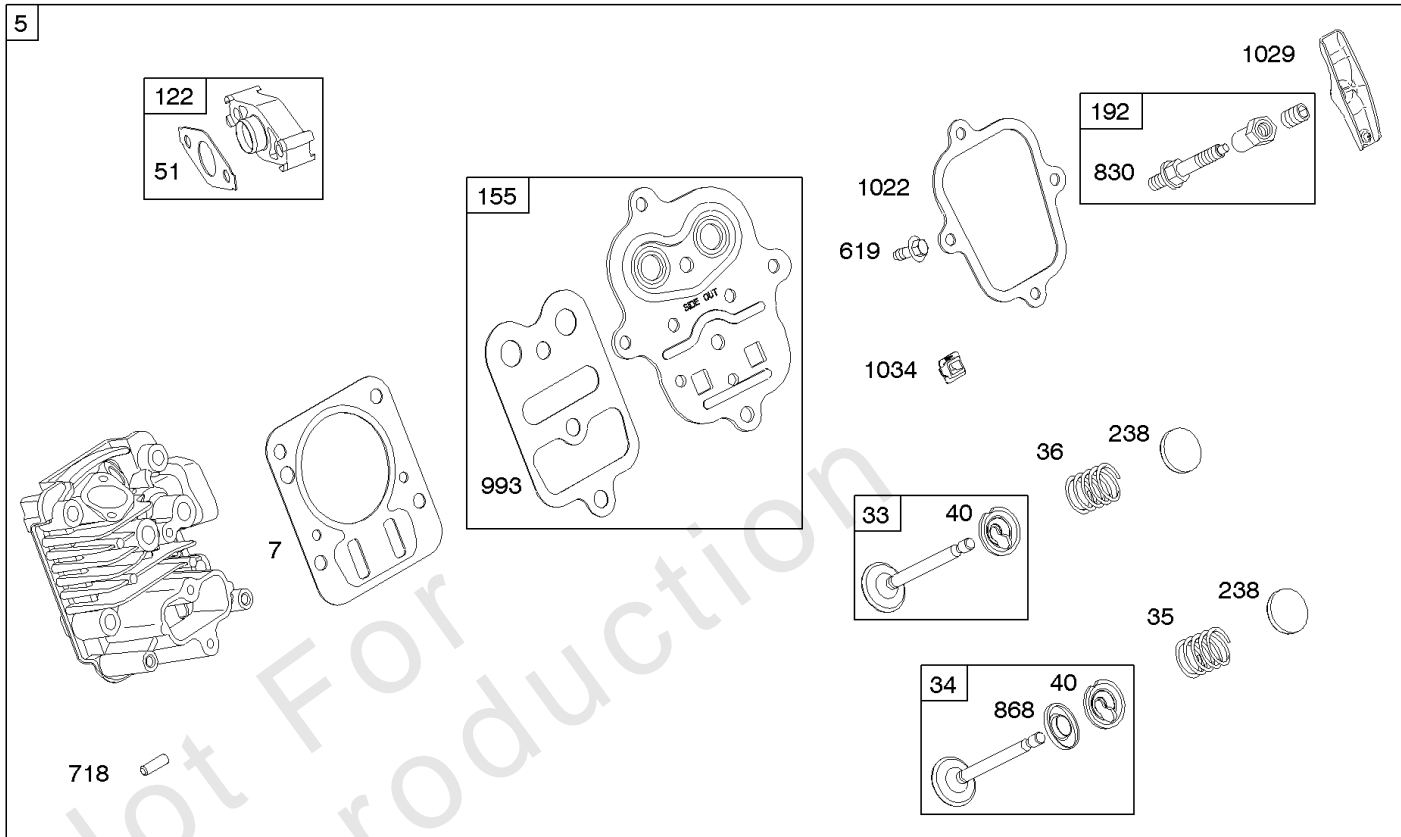


## Carburetor, Carburetor Gasket Kits

REF NO	PART NO	QTY	DESCRIPTION
51	692555		GASKET, Intake -(2 Required)
95	691636		SCREW -(Throttle Valve)
97	690024		SHAFT, Throttle
98	398185		KIT-IDLE SPEED -(Carburetor)
104	691242		PIN, Float Hinge
108B	692567		VALVE-CHOKE
109	690023		SHAFT, Choke -(Straight Handle)
109A	790624		SHAFT, Choke
117	498976		JET, Main -(Standard)
118	498977		JET, Main -(High Altitude)
121	695157		KIT, Carburetor Overhaul
122	693749		SPACER, Carburetor
125	790290		CARBURETOR
127	691739		PLUG-WELCH -(5/16 Diameter)
127A	694468		PLUG, Welch -(3/8 Diameter)
130	691181		VALVE-THROTTLE
133	398187		FLOAT-CARBURETOR
134	398188		KIT-NEEDLE/SEAT
137	693981		GASKET-FLOAT BOWL
161	692579		BASE, Air Cleaner -(Metal) (Flat Panel)
163	272948S		GASKET, Air Cleaner -(Flat Panel)
186	692317		CONNECTOR-HOSE
276	271716		WASHER-SEALING -(Main Jet)
365	692568		SCREW -(Carburetor)
633	693867		SEAL, Choke/Throttle Shaft -(Choke)
633A	691321		SEAL-CHOKE/THR SHAFT -(Throttle)
692	690572		SPRING, Detent
975	493640		BOWL, Float
977	695156		SET, Carburetor Gasket

# Cylinder Head, Valve Gasket Set

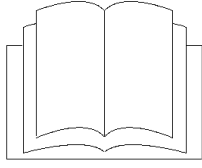
Mfg. No: 110412-0144-E1



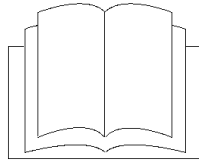
## Cylinder Head, Valve Gasket Set

REF NO	PART NO	QTY	DESCRIPTION
5	699486		HEAD, Cylinder
7	698210		GASKET, Cylinder Head
13	691137		SCREW -(Cylinder Head)
33	499642		VALVE, Exhaust
34	499641		VALVE, Intake
35	691304		SPRING, Valve -(Intake)
36	691304		SPRING, Valve -(Exhaust)
40	692194		RETAINER, Valve
45	690977		TAPPET, Valve
51	692555		GASKET, Intake -(2 Required)
122	693749		SPACER, Carburetor
155	698214		PLATE, Cylinder Head
192	694543		ADJUSTER-ROCKER ARM
238	691300		CAP, Valve
337	491055S		PLUG, Spark -(Resistor)
337	84007216	1	PLUG, SPARK -(China Only)
383	19374S		WRENCH, Spark Plug
619	691108		SCREW -(Cylinder Head Plate)
635	692076		BOOT, Spark Plug
635A	692927		BOOT, Spark Plug
718	690959		PIN, Locating
830	694544		STUD-ROCKER ARM -(Rocker Arm)
868	692044		SEAL, Valve
914	692198		SCREW -(Rocker Cover)
914A	692557		SCREW -(Rocker Cover)
993	694088		GASKET-CYL HD PLATE
1022	691890		GASKET-ROCKER COVER
1023	499924		COVER, Rocker
1026	693517		ROD-PUSH -Used After Code Date 98061400
1026	692560		ROD, Push -Used Before Code Date 98061500
1029	691230		ARM, Rocker
1034	691343		GUIDE-PUSH ROD
1095	791798		GASKET SET, Valve

1058 OPERATOR'S MANUAL



1330 REPAIR MANUAL

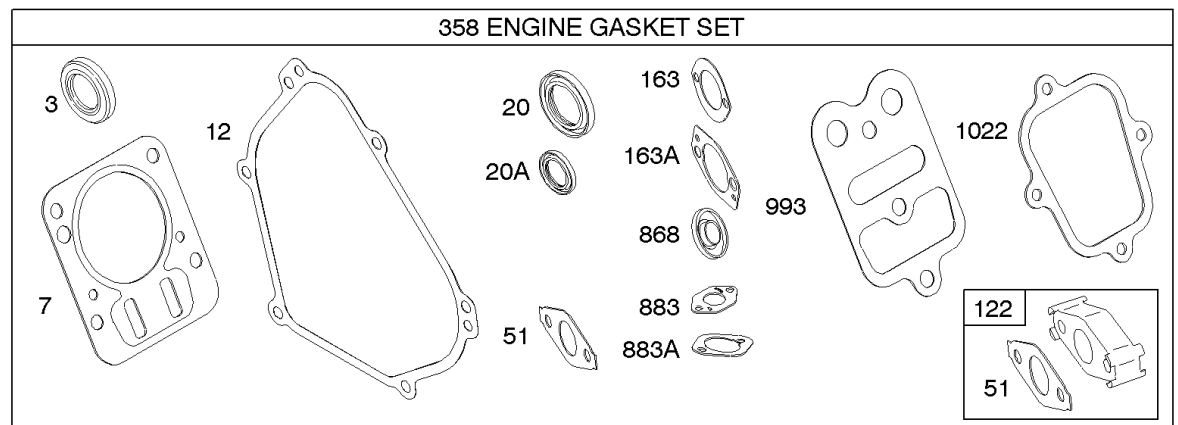
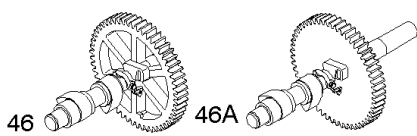
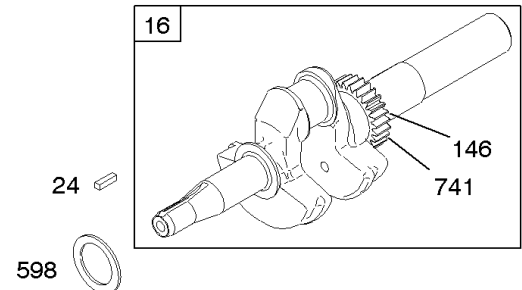
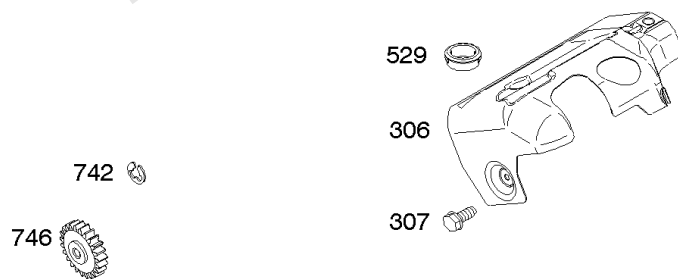
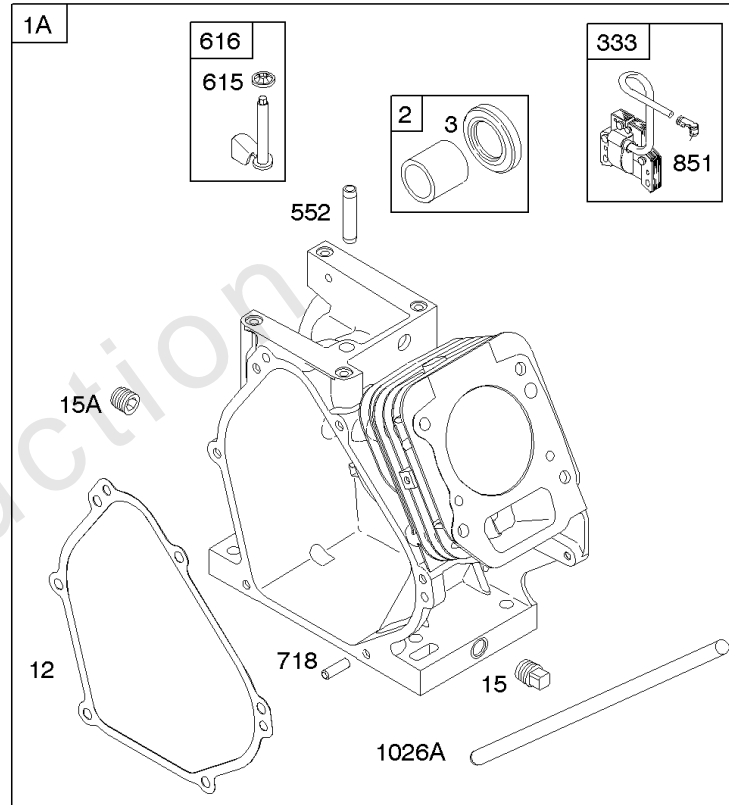
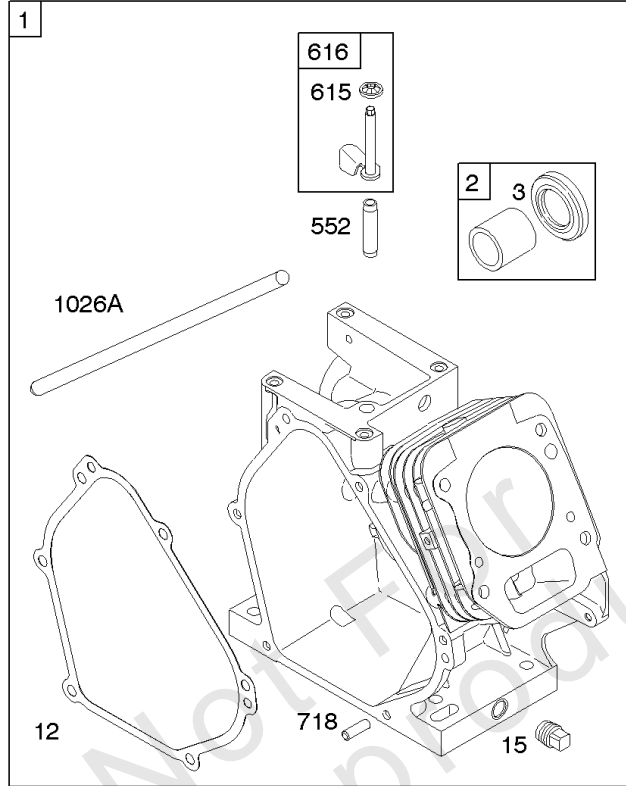


1319 WARNING LABEL

**WARNING**

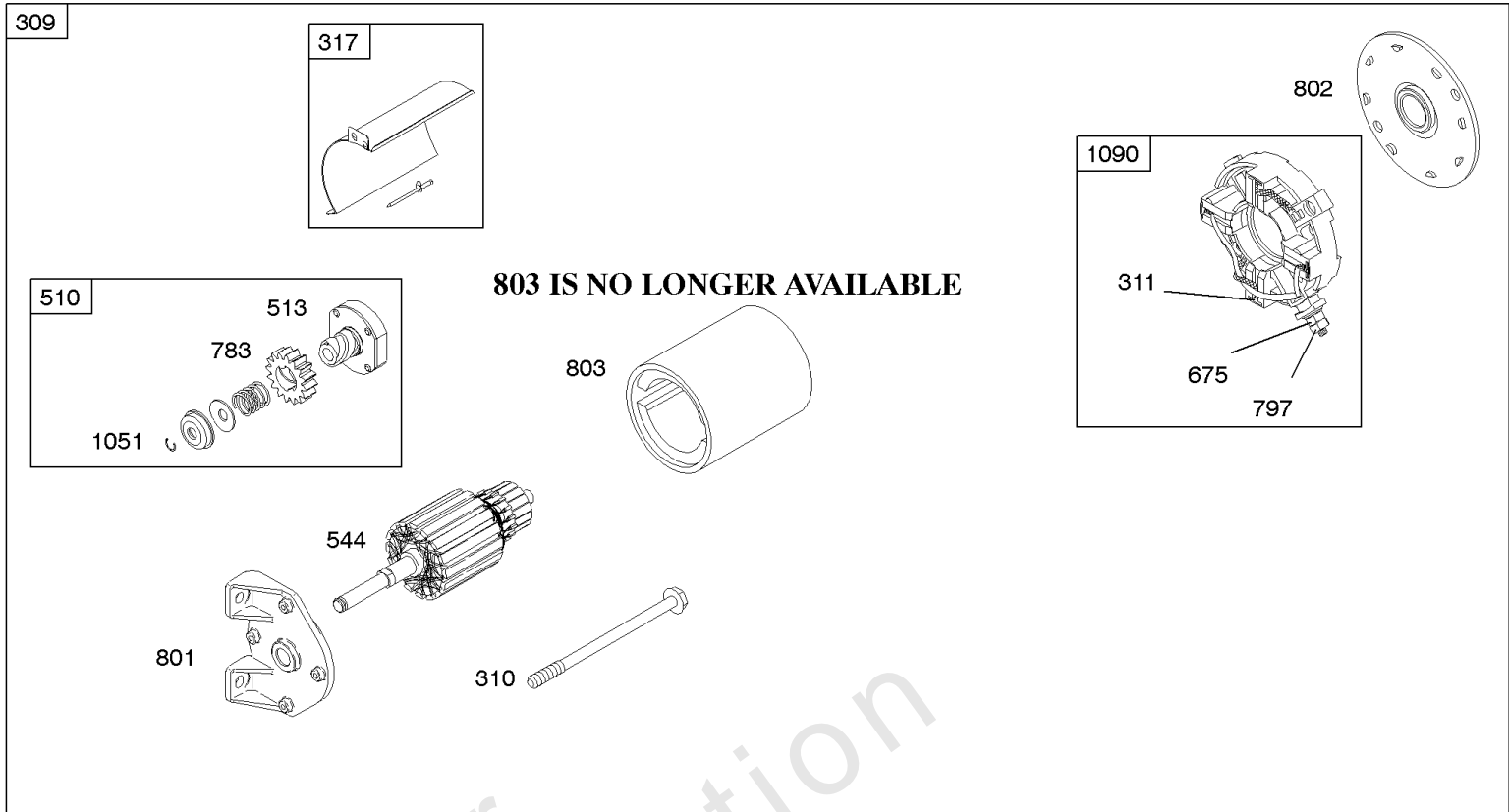
- Read and follow Operating Instructions before running engine.
- Gasoline is flammable. Allow engine to cool at least 2 minutes before refueling.
- Engines emit carbon monoxide, DO NOT run in enclosed area.
- Muffler area temperature may exceed 150°F. Do not touch hot parts.

**REQUIRED** when replacing parts with warning labels affixed.

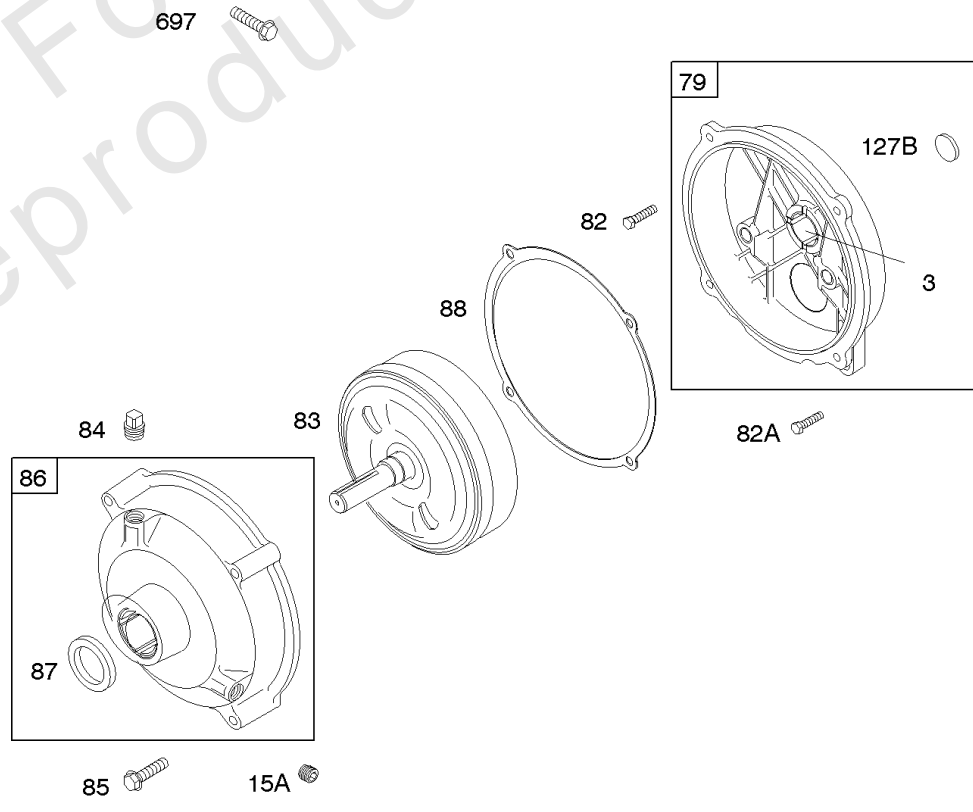


## Cylinders, Crankshaft, Engine Gasket Set

REF NO	PART NO	QTY	DESCRIPTION
1	699510		CYLINDER ASSEMBLY
2	399269		KIT, Bushing/Seal -(Magneto Side)
3	299819S		SEAL, Oil -(Magneto Side)
7	698210		GASKET, Cylinder Head
12	699485		GASKET-CRANKCASE
15	691686		PLUG-OIL DRAIN
15A	691682		PLUG-OIL DRAIN
16	693797		CRANKSHAFT
20	692550		SEAL-OIL -(PTO Side)
24	222698S		KEY, Flywheel
46	693404		CAMSHAFT
51	692555		GASKET, Intake -(2 Required)
122	693749		SPACER, Carburetor
146	690979		KEY, Woodruff
163	272948S		GASKET, Air Cleaner -(Flat Panel)
306	693610		SHIELD, Cylinder
307	690345		SCREW -(Cylinder Shield)
333	695711		ARMATURE, Magneto
358	698216		GASKET SET, Engine
529	692553		GROMMET
552	692346		BUSHING, Governor Crank
598	220624		SHIM, End Play -(Crankshaft or Camshaft Bearing)
615	692576		RETAINER, Governor Shaft
616	692547		CRANK, Governor
718	690959		PIN, Locating
741	695087		GEAR-TIMING
742	692564		RETAINER, E Ring
746	790278		GEAR-IDLER
851	493880S		TERMINAL-SPARK PLUG
868	692044		SEAL, Valve
883	691893		GASKET-EXHAUST -(Between Adapter And Head)
883A	692237		GASKET-EXHAUST
993	694088		GASKET-CYL HD PLATE
1022	691890		GASKET-ROCKER COVER
1026A	790287		ROD, Push
1058	277040		MANUAL, Operator's -(Emission)
1319	794467		LABEL, Warning
1330	276781		MANUAL, Repair

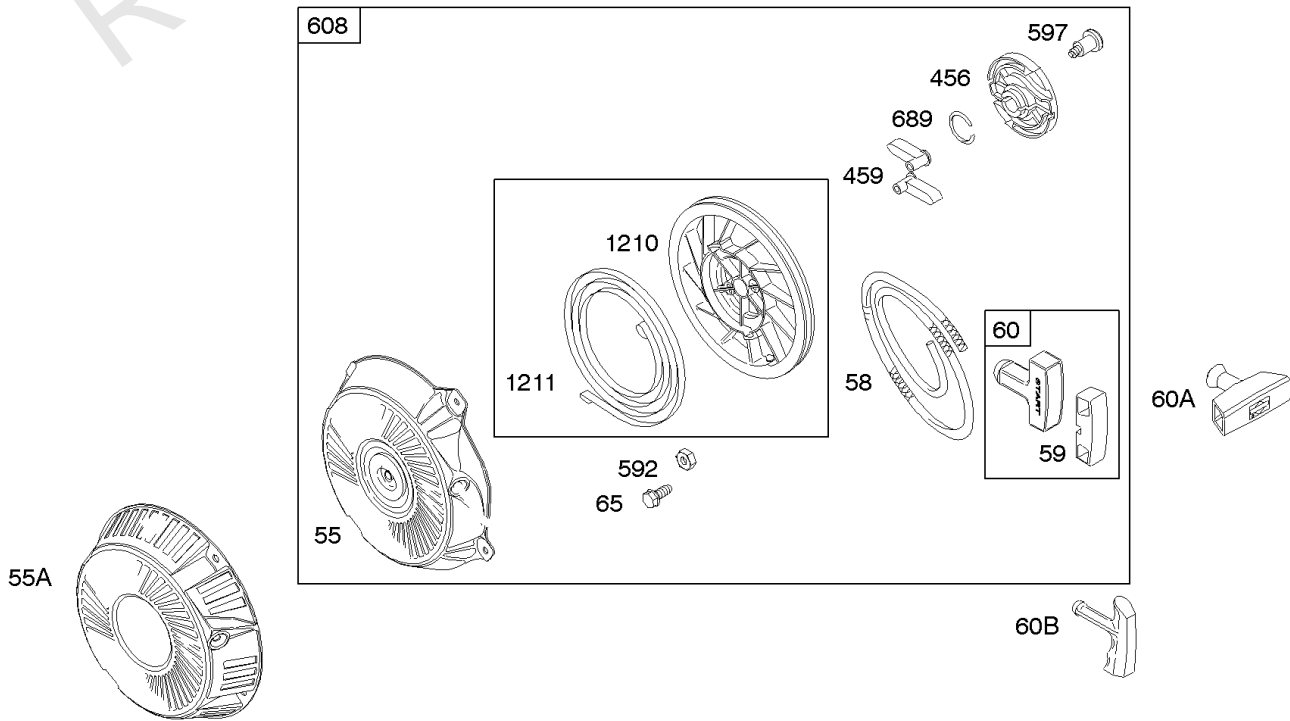
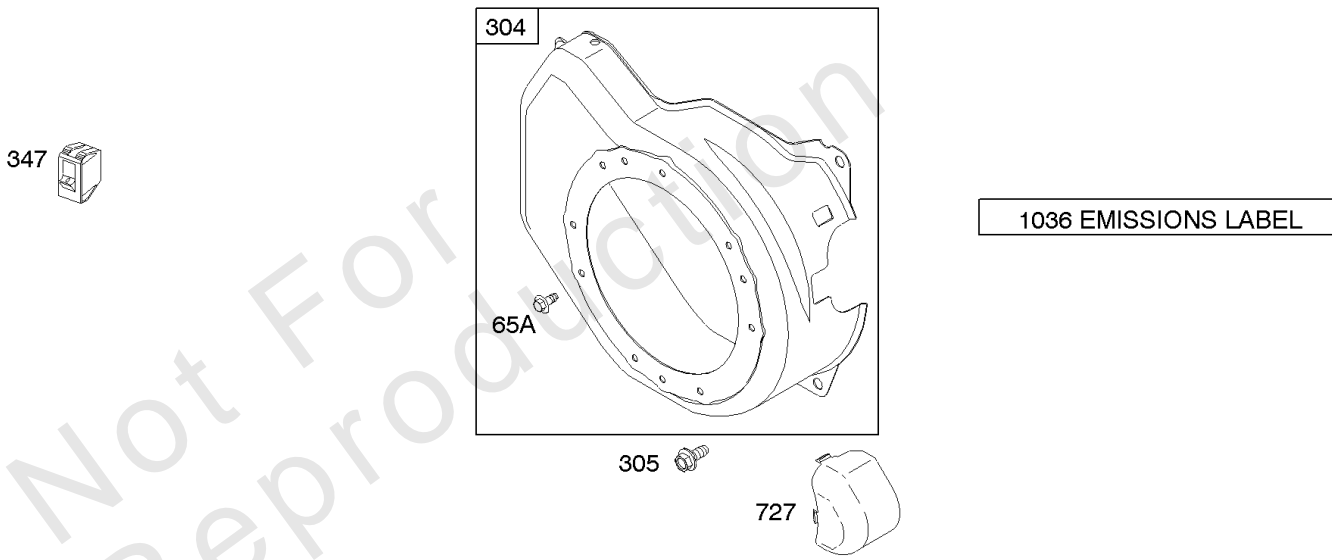
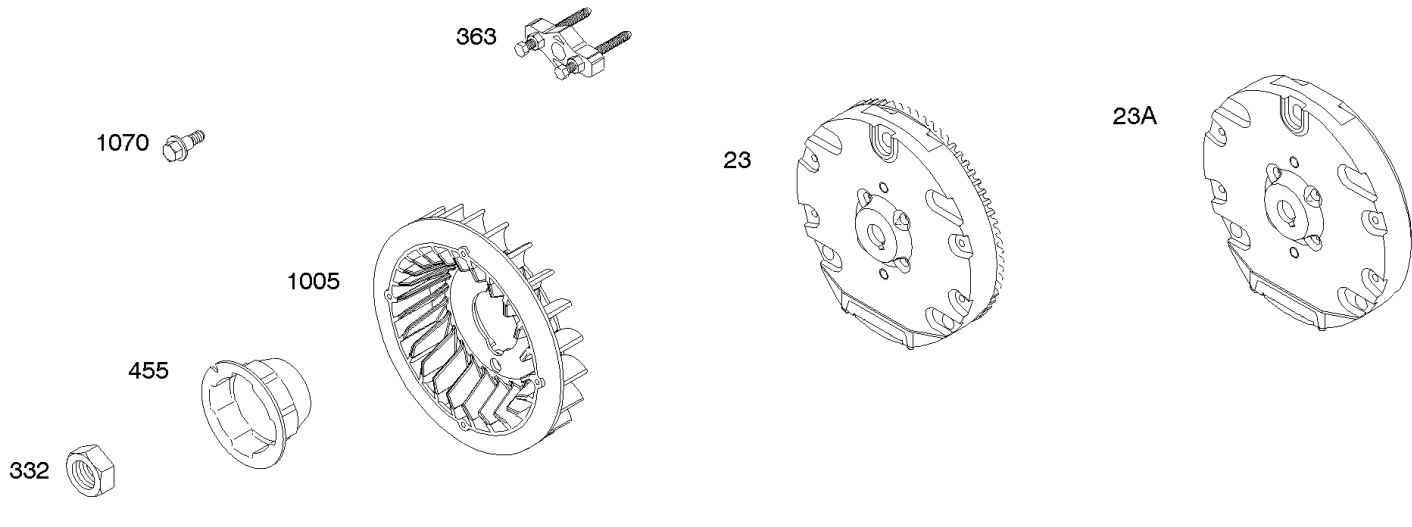


Not For  
Reproduction



## Electric Starter, Gear Reduction

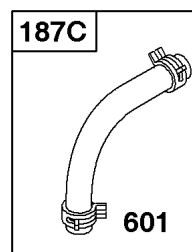
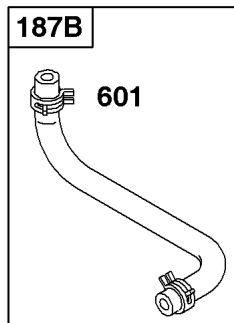
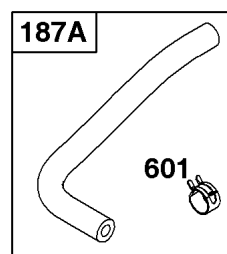
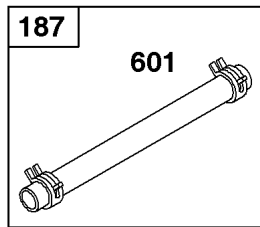
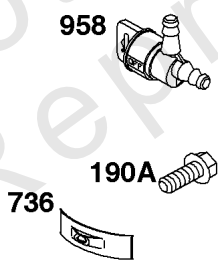
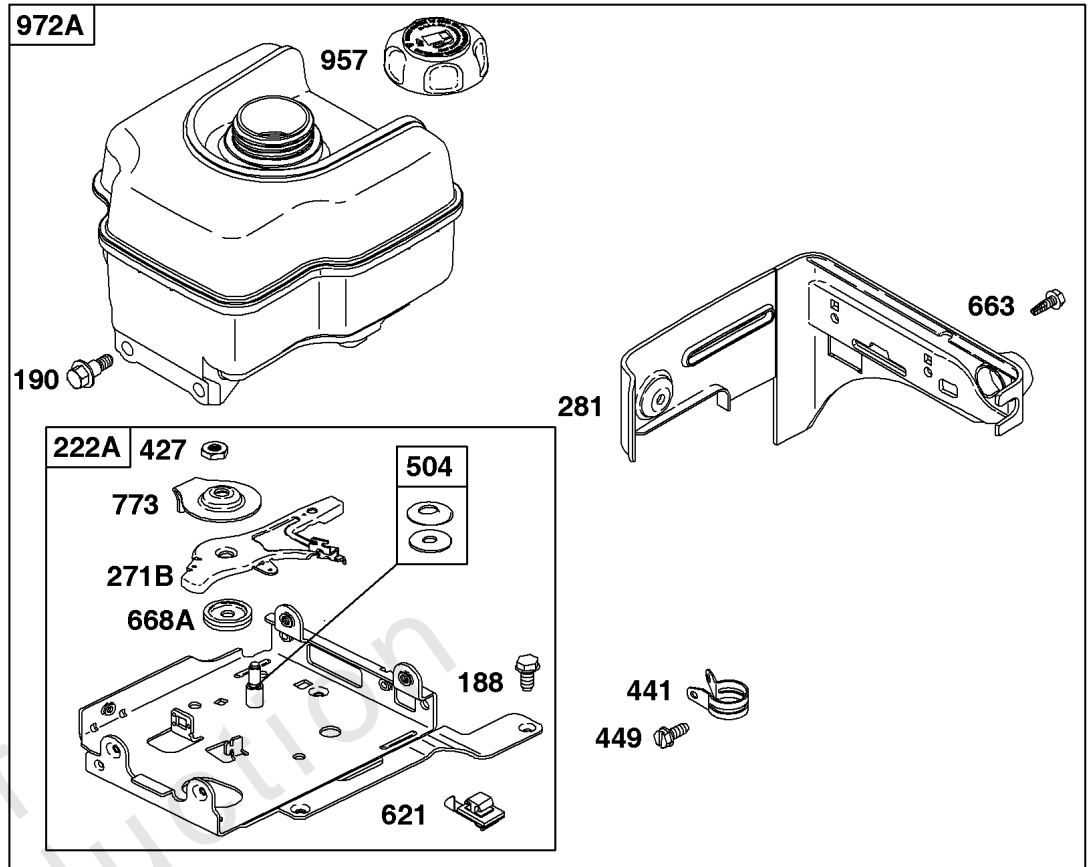
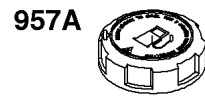
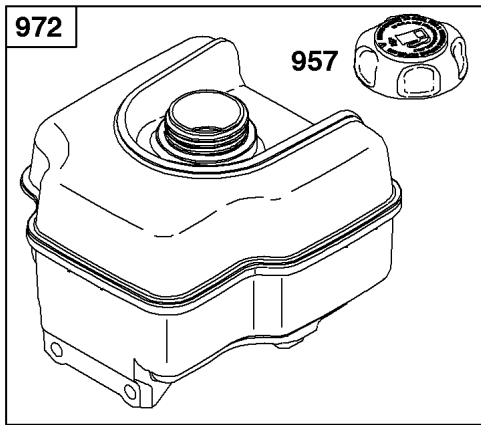
REF NO	PART NO	QTY	DESCRIPTION
3	299819S		SEAL, Oil -(Magneto Side)
15A	691682		PLUG-OIL DRAIN
309	694504		MOTOR, Starter
310	690323		SCREW -(Starter Motor)
311	497608		SET, Brush
317	695494		COVER, Starter
510	499308		DRIVE-STARTER
513	692024		CLUTCH, Drive
544	692966		ARMATURE, Starter
675	691261		WASHER -(Brush Retainer)
697	690372		SCREW -(Drive Cap)
783	692353		GEAR-PINION
797	691029		NUT -(Brush Retainer)
801	694482		CAP-DRIVE
802	691286		CAP, End
803	-----		Housing-Starter -(NO LONGER AVAILABLE)
1051	691265		RING, Retaining
1090	691293		RETAINER, Brush





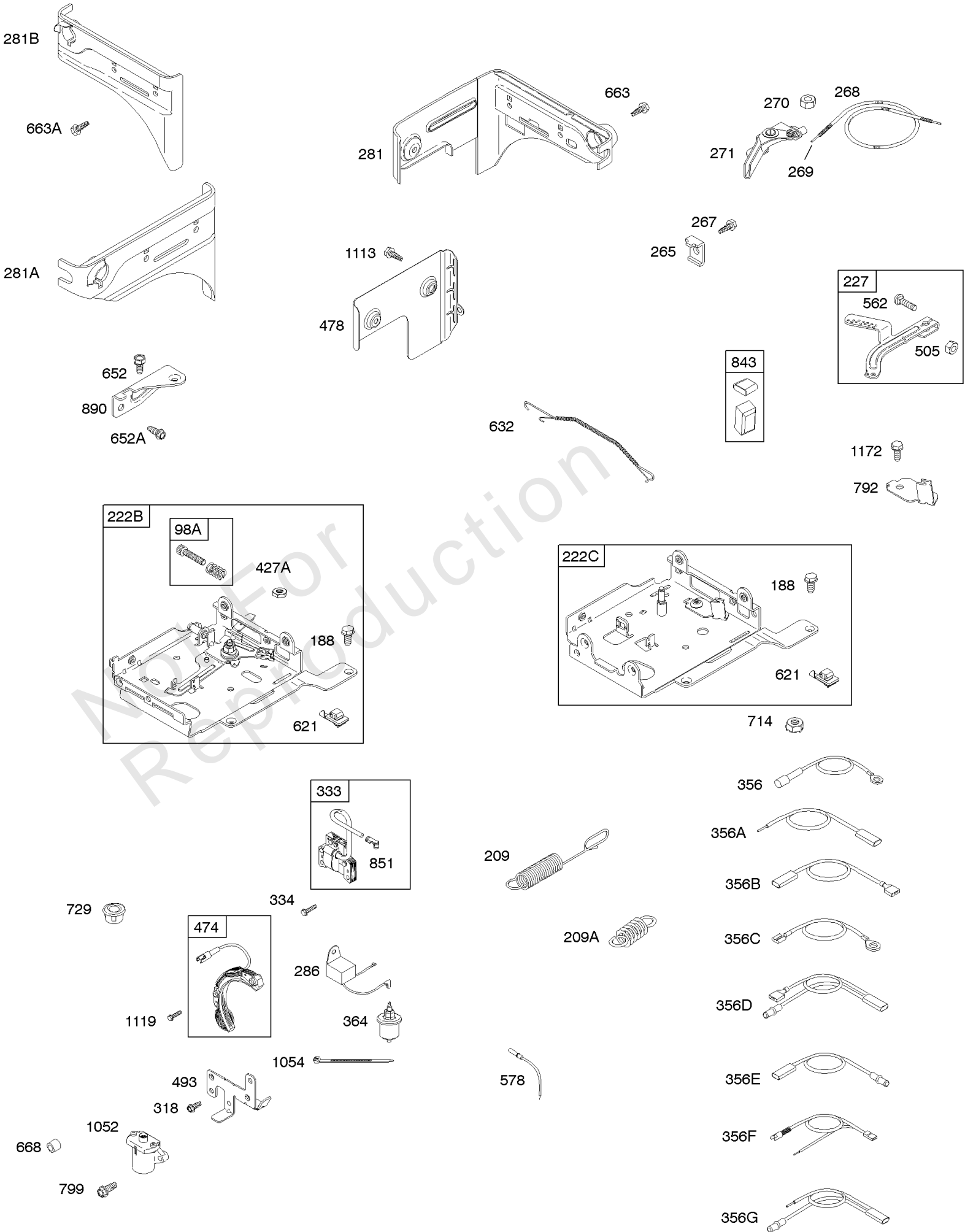
## ***Flywheel, Blower Housing, Rewind Starter***

REF NO	PART NO	QTY	DESCRIPTION
23A	699488		FLYWHEEL -(Rewind Start)
55	691422		HOUSING, Rewind Starter
58	693389		ROPE, Starter -(70 )(Cut To Required Length)
59	805957		INSERT, Grip
60	490652		GRIP-STARTER ROPE
60B	281434S		GRIP, Starter Rope
65	690837		SCREW -(Rewind Starter)
65A	692608		SCREW -(Rewind Starter)
304	699598		HOUSING, Blower
305	691108		SCREW -(Blower Housing)
332	690662		NUT -(Flywheel)
347	698338		SWITCH, Rocker
363	19069		PULLER, Flywheel
455	692591		CUP, Flywheel
456	692299		PLATE-PAWL FRICTION
459	281505S		PAWL-RATCHET
592	690800		NUT -(Rewind Starter)
597	691696		SCREW -(Pawl Friction Plate)
608	693394		STARTER, Rewind
689	691855		SPRING-FRICTION
727	694467		COVER, Starter Drive
1005	692592		FAN, Flywheel
1036	-----		Label-Emissions -(Available From A Briggs & Stratton Authorized Dealer)
1070	692590		SCREW -(Flywheel Fan)
1210	498144		PULLEY/SPRING ASSY -(Pulley)
1211	498144		PULLEY/SPRING ASSY -(Spring)



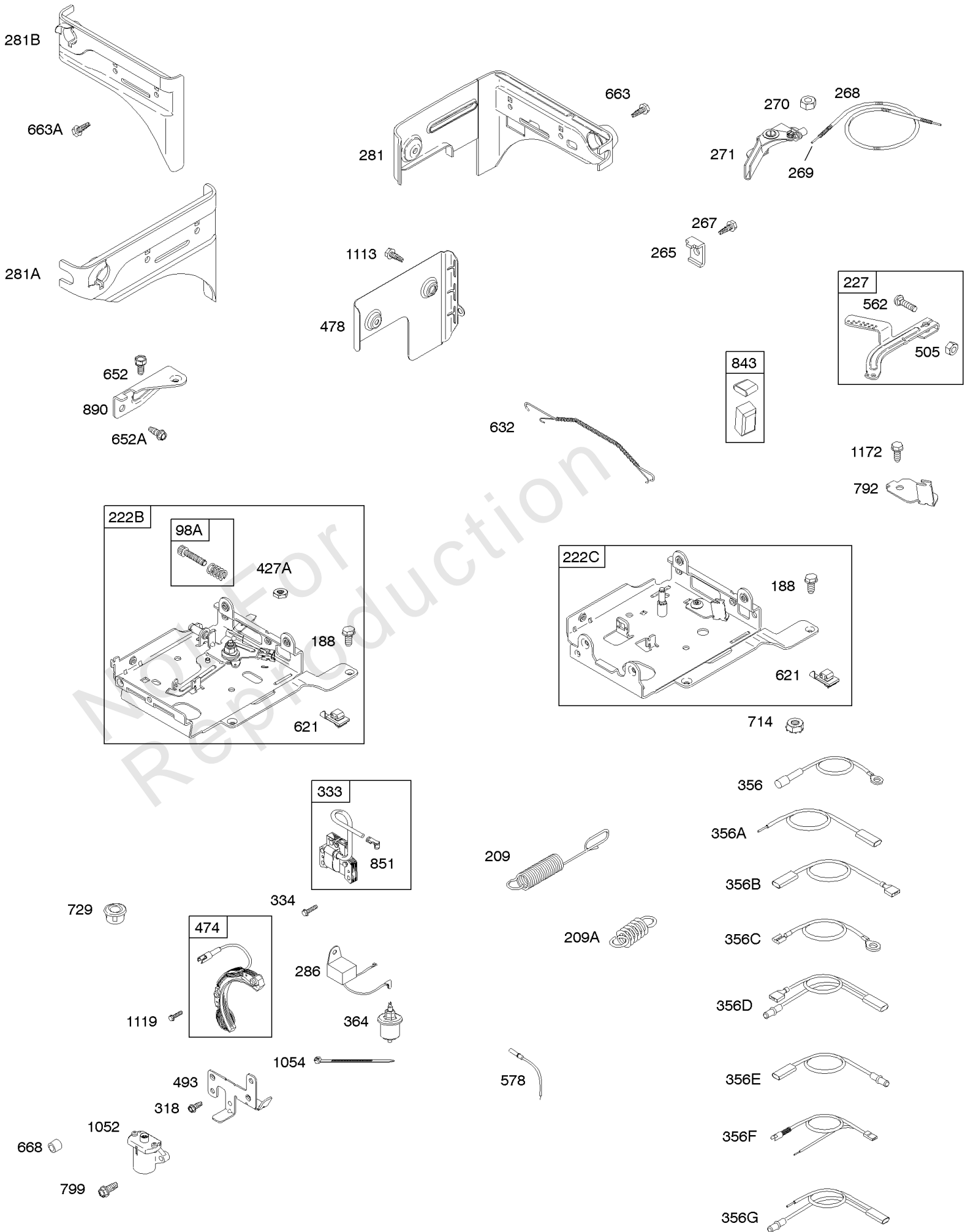
## Fuel Tank, Fuel Hoses

REF NO	PART NO	QTY	DESCRIPTION
187	791766		LINE, Fuel -(Cut To Required Length)
187A	791867		LINE, Fuel -(Molded)
187B	791874		LINE, Fuel -(Molded)
188	690877		SCREW -(Control Bracket)
190	692127		SCREW -(Fuel Tank)
190A	690877		SCREW -(Fuel Tank)
222A	699589		BRACKET, Control -Used After Code Date 98071900
271B	694256		LEVER, Control
281	793122		PANEL, Control -Used After Code Date 99070400
427	694255		NUT -(Control Bracket) -Used After Code Date 99070400
441	694262		BRACKET, Oil Fill -Used After Code Date 99070400
449	691693		SCREW -(Oil Fill Bracket)
504	694254		SET, Friction Washer -Used After Code Date 99070400
601	791850		CLAMP, Hose
621	692310		SWITCH, Stop
663	694593		SCREW -(Control Panel) (3/8 )
668A	694257		SPACER
736	693560		NUT
773	694258		RETAINER -(Control Bracket)
957	792647		CAP, Fuel Tank -(Plastic) (Fresh Start) -Used After Code Date 99070400
957A	493988S		CAP, Fuel Tank -(Plastic) -Used Before Code Date 99070500
958	698180		VALVE-FUEL SHUT OFF -(Plastic)
972	694260		TANK, Fuel -(Plastic) -Used After Code Date 99070400
972A	699885		TANK, Fuel -(Plastic) -Used Before Code Date 99070500



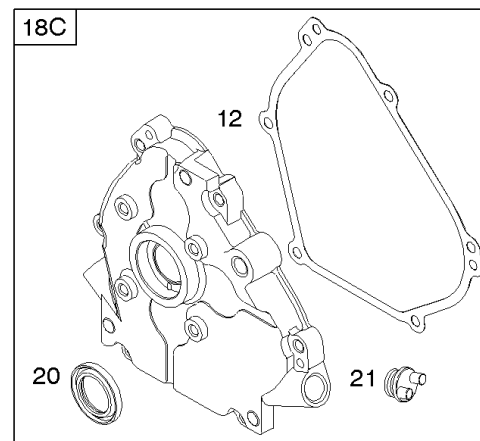
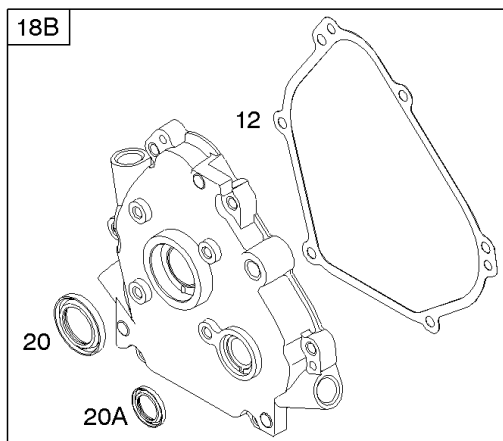
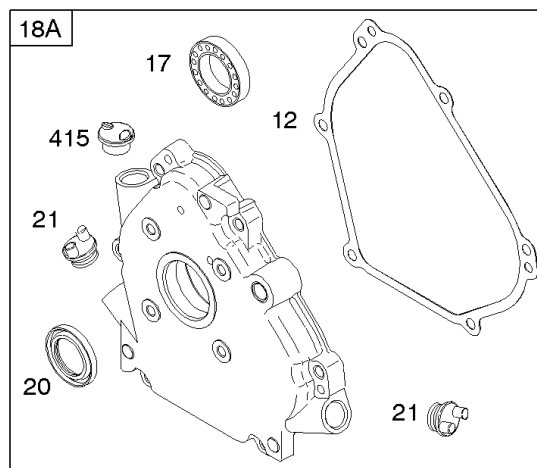
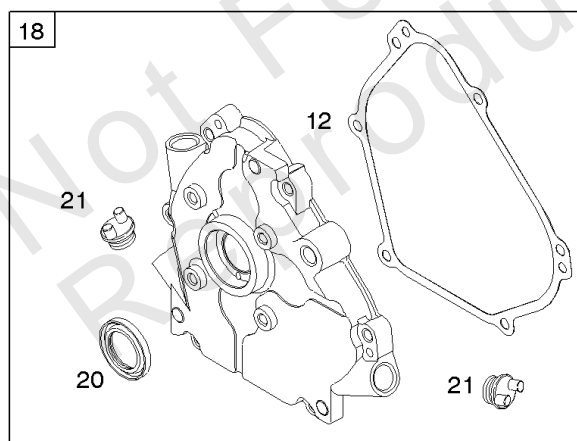
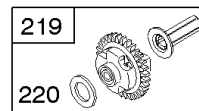
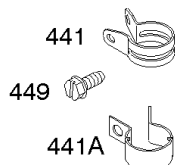
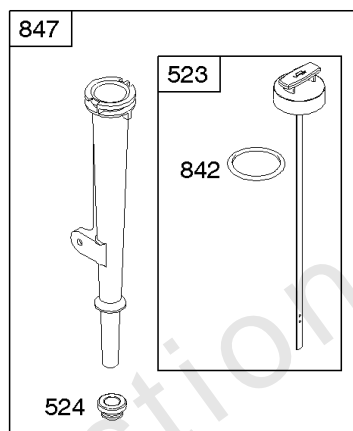
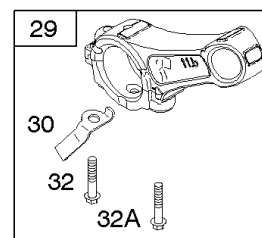
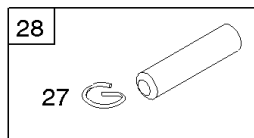
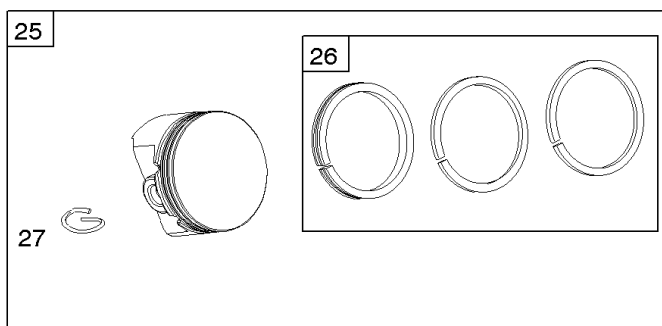
## Panels, Controls, Springs, Alternator, Wires

REF NO	PART NO	QTY	DESCRIPTION
98A	493280		KIT-IDLE SPEED -(Control Bracket)
188	690877		SCREW -(Control Bracket)
209	693710		SPRING, Governor -(Black)
222B	692606		BRACKET, Control -Used Before Code Date 98072000
227	692573		LEVER, Governor Control
265	691024		CLAMP, Casing
267	692577		SCREW -(Casing Clamp)
268	691025		CASING, Control Wire -(72" Long)(Cut To Required Length)
269	691026		WIRE, Control -(78" Long)(Cut To Required Length)
270	691027		NUT -(Control Wire Casing)
271	691028		LEVER, Control
281	793122		PANEL, Control -Used After Code Date 99070400
281A	693407		PANEL, Control -Used After Code Date 98062800 -Used Before Code Date 99070500
286	698611		MODULE, Oil Sensor
318	693609		SCREW -(Mounting Bracket)
333	695711		ARMATURE, Magneto
334	691061		SCREW -(Magneto Armature)
356	693650		WIRE, Stop
356A	692390		WIRE, Stop
356C	695630		WIRE, Stop
356F	695283		WIRE ASSEMBLY
356G	695814		WIRE, Stop
356E	697397		WIRE, Stop
356B	692602		WIRE-STOP
356D	693651		WIRE, Stop
364	695693		TERMINAL, Oil Plug -Used Before Code Date 00080600
427A	692575		NUT -(Control Bracket) -Used Before Code Date 99070500
474	694457		ALTERNATOR
478	693709		PANEL
493	693599		BRACKET, Mounting -(Oil Sensor)
505	691251		NUT -(Governor Control Lever)
562	691119		BOLT -(Governor Control Lever)
578	692306		WIRE ASSEMBLY -(1 Wire, 48-1/2" Long)(Snap Connect Female Pin Socket, And Bare WireEnd)
621	692310		SWITCH, Stop
632	693408		SPRING/LINK, Mechanical Governor
652	691108		SCREW -(Support Bracket)



## ***Panels, Controls, Springs, Alternator, Wires***

<b>REF NO</b>	<b>PART NO</b>	<b>QTY</b>	<b>DESCRIPTION</b>
652A	695629		SCREW -(Support Bracket)
663	694593		SCREW -(Control Panel) (3/8 )
663A	692577		SCREW -(Control Panel) (3/4 )
668	693604		SPACER -(Oil Sensor)
714	693649		NUT -(Wire Stop)
729	694371		CLIP, Wire
799	693609		SCREW -(Oil Sensor)
843	694061		SLEEVE, Lever
851	493880S		TERMINAL-SPARK PLUG
890	694933		BRACKET, Support
1052	790141		SENSOR, Oil
1054	280275		TIE, Cable
1113	692577		SCREW -(Panel)
1119	691183		SCREW -(Alternator)
1172	691676		SCREW -(Fixed Speed Bracket)





## Piston/Rings/Connecting Rod, Crankcase Covers

REF NO	PART NO	QTY	DESCRIPTION
12	699485		GASKET-CRANKCASE
17	692517		BEARING, Ball
18	699804		COVER, Crankcase
20	692550		SEAL-OIL -(PTO Side)
21	281658S		CAP-OIL FILL
22	692551		SCREW -(Crankcase Cover/Sump)
25	791326		PISTON ASSEMBLY -(.020 Oversize)
25	791968		PISTON ASSEMBLY -(Standard)
26	499631		SET, Ring -(Standard)
26	692786		SET, Ring -(.020 Oversize)
27	691866		LOCK-PISTON PIN
28	499423		PIN-PISTON/STD -(Standard)
29	499424		ROD, Connecting -(Standard)
30	791584		DIPPER-CONN ROD
32	691664		SCREW -(Connecting Rod) (1 )
32A	695759		SCREW -(Connecting Rod) (1 1/2 ) -Used After Code Date 00040200
219	693578		GEAR, Governor
220	691724		WASHER -(Governor Gear)
415	693463		PLUG -(Crankcase Cover/Sump)
441	694262		BRACKET, Oil Fill -Used After Code Date 99070400
441A	693616		BRACKET, Oil Fill -Used Before Code Date 99070500
449	691693		SCREW -(Oil Fill Bracket)
523	693618		DIPSTICK
524	281370S		SEAL-DIPSTICK TUBE -(Dipstick Tube)
842	691031		SEAL, O-Ring -(Dipstick Tube)
847	693617		DIPSTICK/TUBE ASSEMBLY

## Replacement Engine - US & Canada

REF NO	PART NO	QTY	DESCRIPTION
	12T1020023	1	Replacement Engine
	699582	1	Replacement Short Block
	-----		Top No-Load Speed: 3600 -Trim: ALL
	-----		Service Note: For all Go-Karts use only a Model 136200 series engine as a replacement, regardless of the original Model.

Not For Reproduction

