

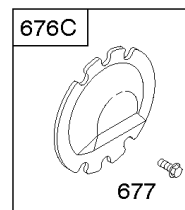
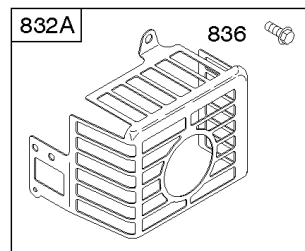
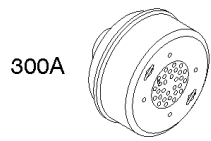
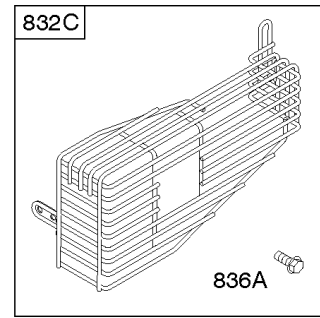
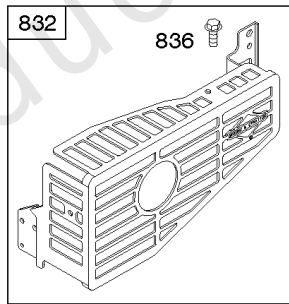
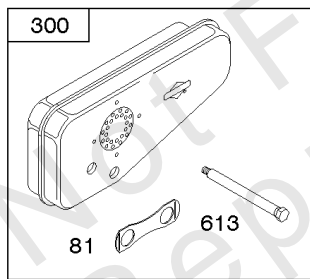
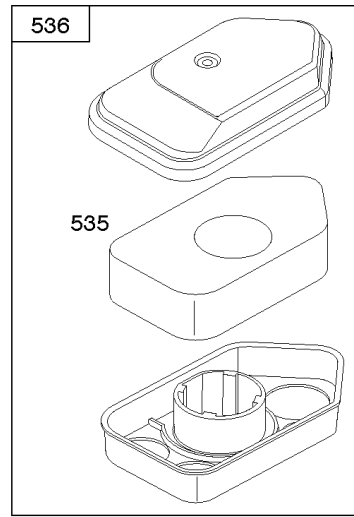
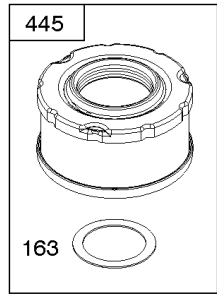
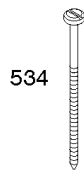
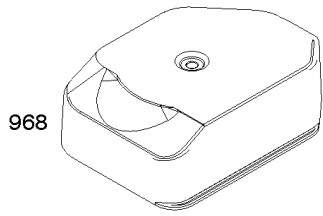


Parts Manual

Mfg. No: 10T802-1130-B1

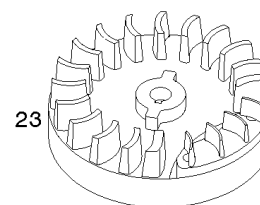
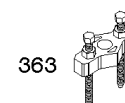
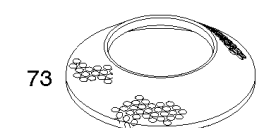
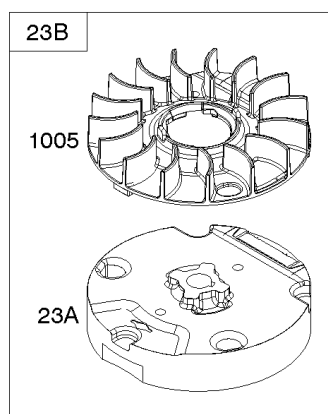
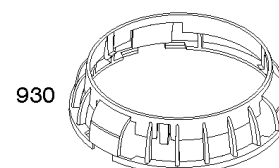
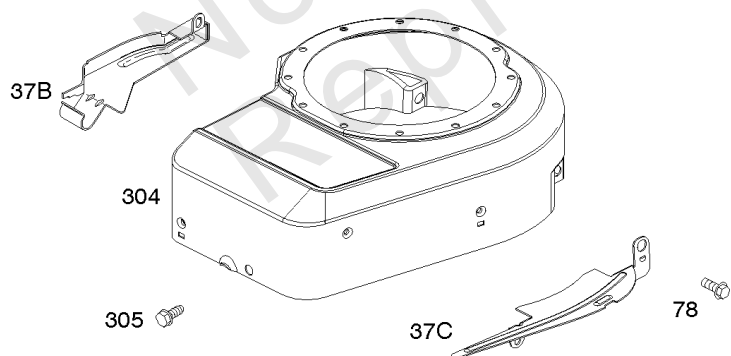
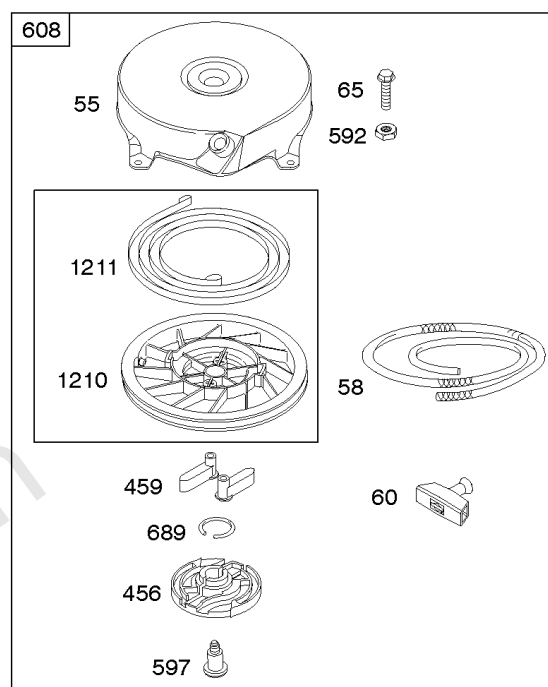
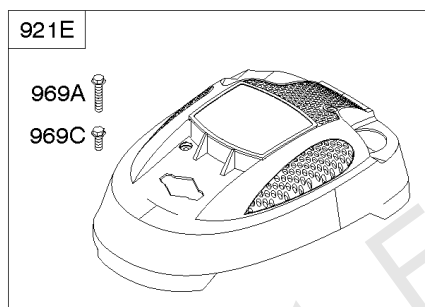
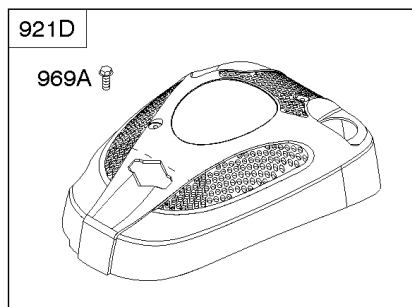
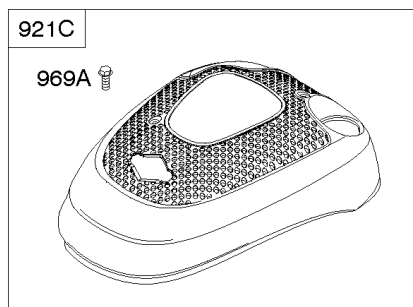
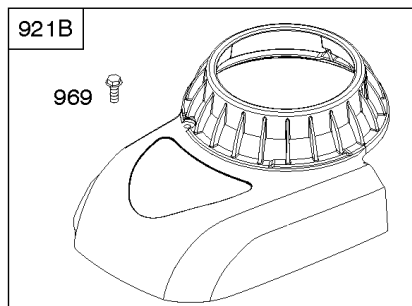
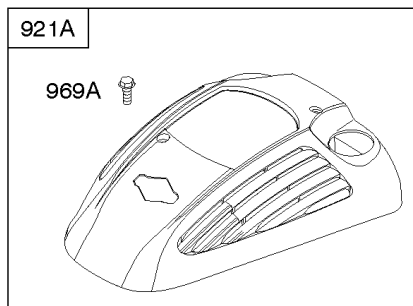
Model Components	Page
Air Cleaner, Exhaust System.....	4
Blower Housing/Shrouds, Flywheel, Rewind Starter.....	6
Brake, Controls, Governor Spring, Ignition.....	8
Camshaft, Crankcase Cover/Sump, Crankshaft, Gasket Set - Engine, Gasket Set - Valve, Piston/Rings/	10
Carburetor, Fuel Supply.....	14
Cylinder, Cylinder Head, Lubrication, Operator's Manual, Warning Label.....	16
Replacement Engine - US & Canada.....	20

Not For
Reproduction



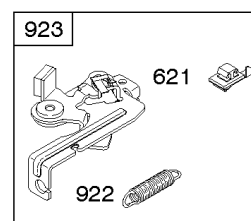
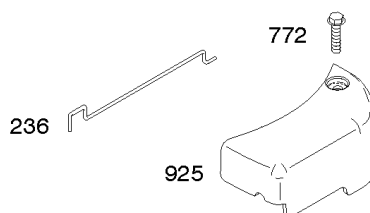
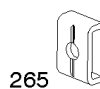
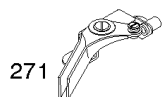
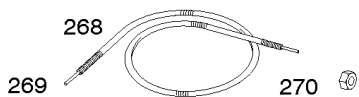
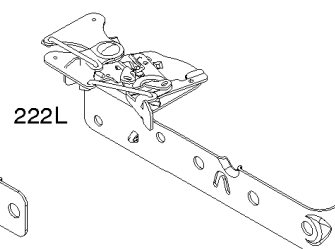
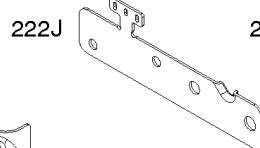
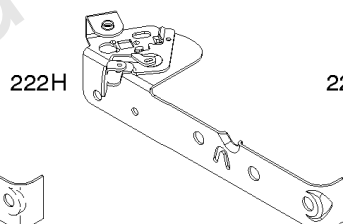
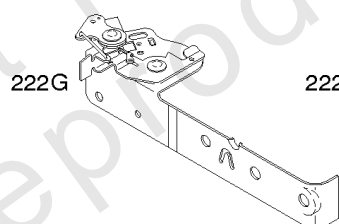
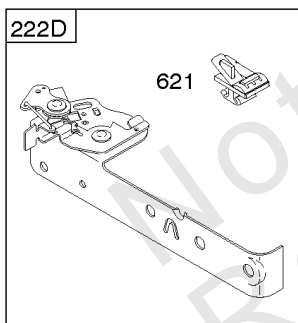
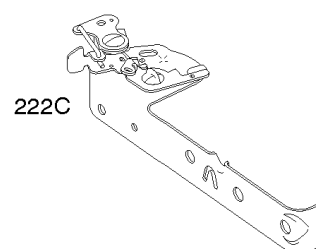
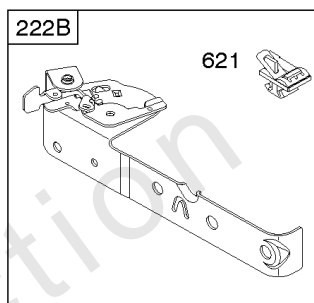
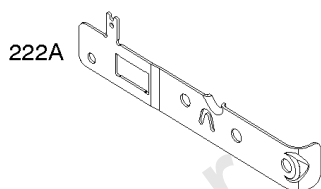
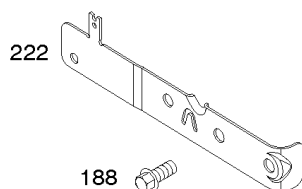
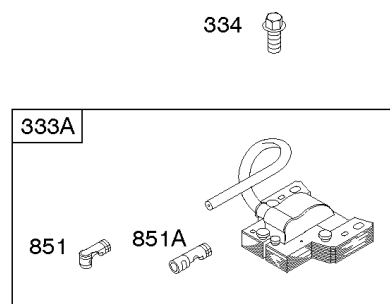
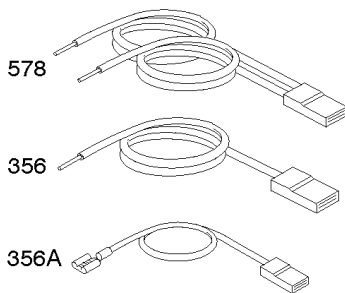
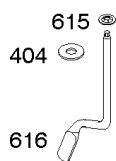
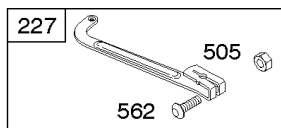
Air Cleaner, Exhaust System

REF NO	PART NO	QTY	DESCRIPTION
81	691179		LOCK, Muffler Screw
163	271139S		GASKET, Air Cleaner -(Air Cleaner)
300	692307		MUFFLER -(Super Lo Tone)
300A	394569S		MUFFLER -(Round Lo Tone)
445	797819		FILTER, A/C Cartridge
534	691417		SCREW -(Air Cleaner)
535	698369		FILTER, Air Cleaner Foam
536	698472		CLEANER, Air
613	691413		SCREW -(Muffler)
676C	393756		DEFLECTOR, Muffler -(Side Outlet)
677	690661		SCREW -(Muffler Deflector)
832A	699670		GUARD-MUFFLER -(Round Lo Tone)
832C	790743		GUARD, Muffler
836	690664		SCREW -(Muffler Guard) (13/32)
836A	790745		SCREW -(Muffler Guard) (1/2)
836B	691125		SCREW -(Muffler Guard) (5/8)
968	799329		COVER, Air Cleaner



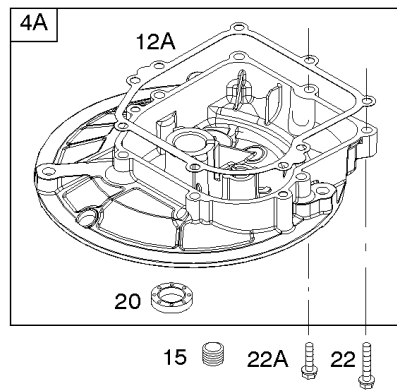
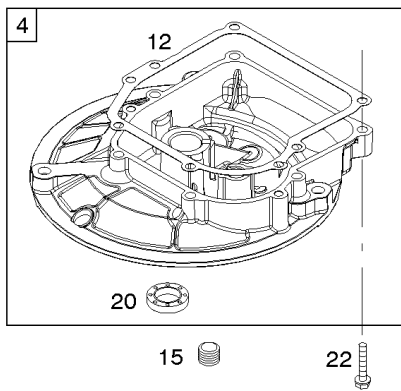
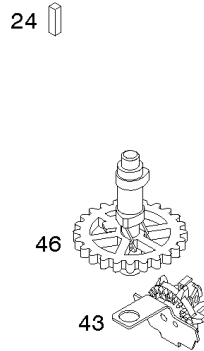
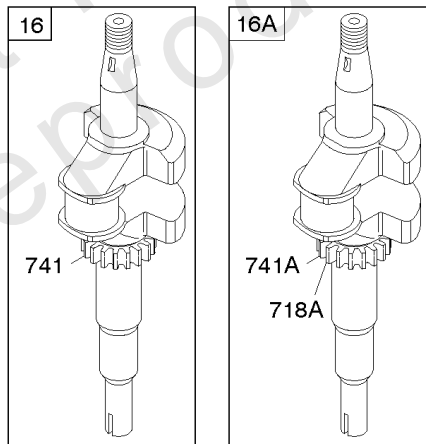
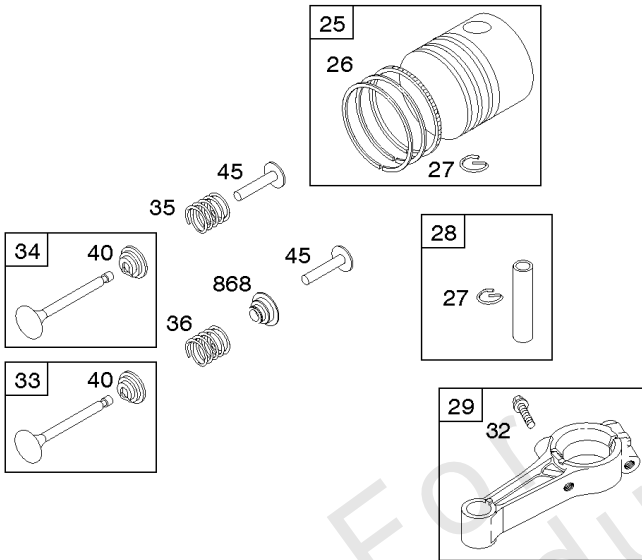
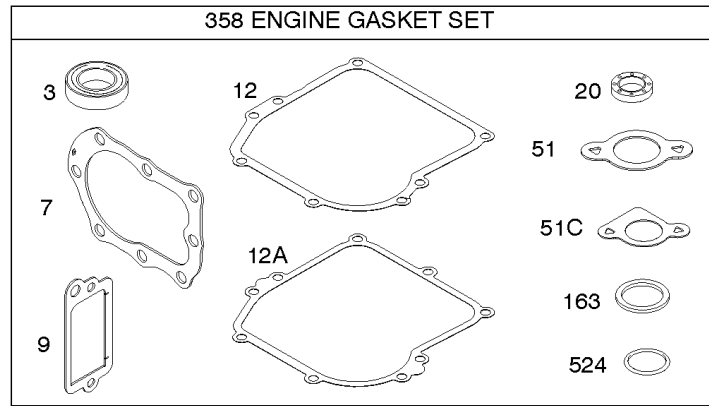
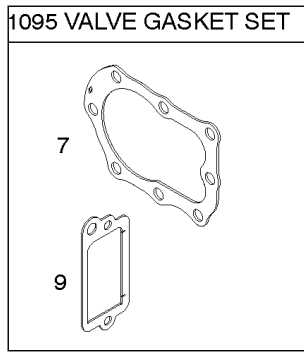
Blower Housing/Shrouds, Flywheel, Rewind Starter

REF NO	PART NO	QTY	DESCRIPTION
23	799682		FLYWHEEL
23A	592003		FLYWHEEL
23B	592370		FLYWHEEL
37B	697403		GUARD, Flywheel -(Carburetor Side)
37C	793748		GUARD, Flywheel -(Muffler Side)
55	692144		HOUSING, Rewind Starter
58	697316		ROPE, Starter -(88 5/8)
60	691915		GRIP, Starter Rope
60A	281434S		GRIP, Starter Rope
65	690837		SCREW -(Rewind Starter)
73	699850		SCREEN, Rotating
78	692198		SCREW -(Flywheel Guard)
304	697411		HOUSING-BLOWER -(Compliance Engines)
305	692198		SCREW -(Blower Housing)
332	690662		NUT -(Flywheel)
363	19069		PULLER, Flywheel
455	691236		CUP, Flywheel
456	692299		PLATE-PAWL FRICTION
459	281505S		PAWL-RATCHET
592	690800		NUT -(Rewind Starter)
597	691696		SCREW -(Pawl Friction Plate)
608	499706		STARTER, Rewind -(88 5/8 Rope)
689	691855		SPRING-FRICTION
921D	795397		COVER-BLOWER HOUSING
930	691348		GUARD, Rewind
969A	799014		SCREW -(Blower Housing) -Used After Code Date 10061300
969A	694046		SCREW -(Blower Housing) -Used Before Code Date 10061400
1005	592366		FAN, Flywheel
1210	499901		PULLEY/SPRING ASSY -(Pulley)
1211	499901		PULLEY/SPRING ASSY -(Spring)



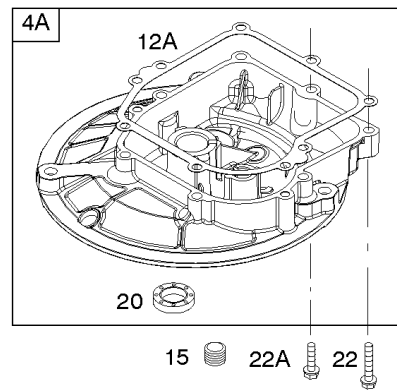
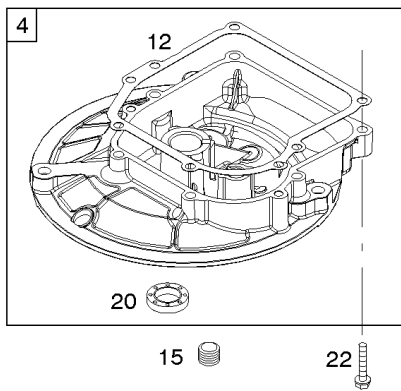
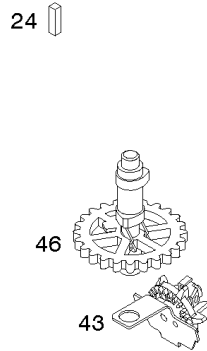
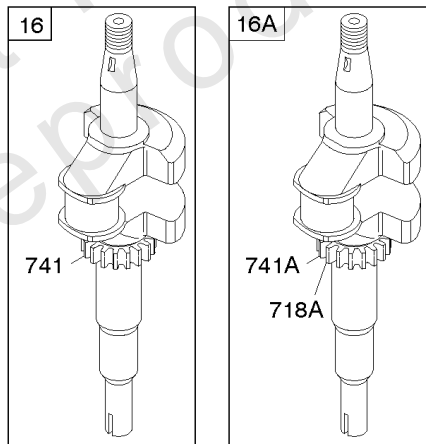
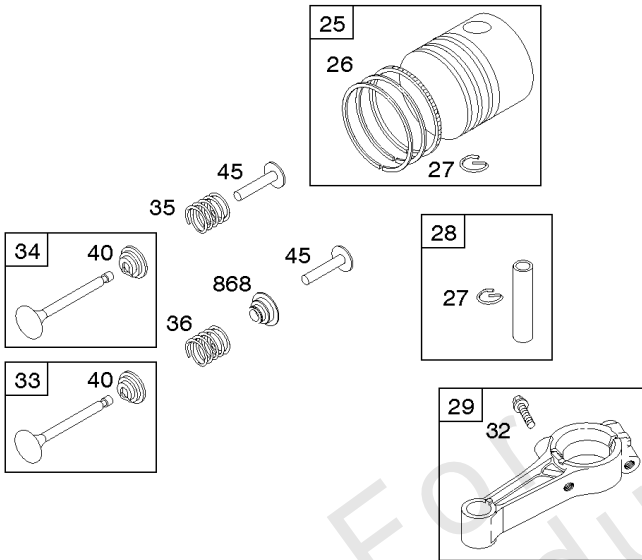
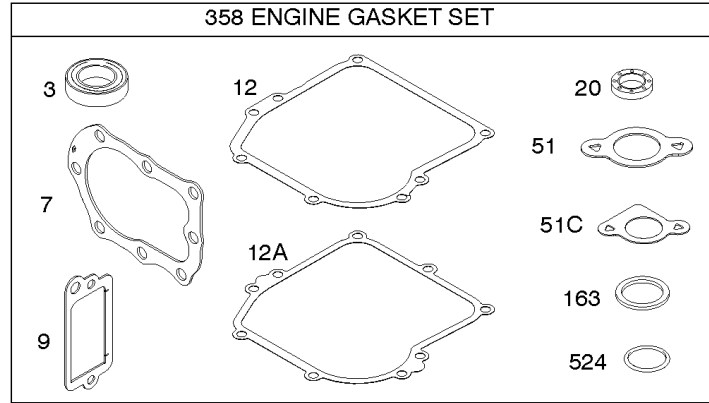
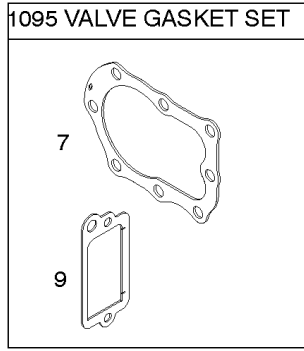
Brake, Controls, Governor Spring, Ignition

REF NO	PART NO	QTY	DESCRIPTION
188	692198		SCREW -(Control Bracket)
202	698835		LINK, Mechanical Governor
209	698719		SPRING, Governor
222	-----		Bracket-Control -(For Replacement Control Bracket, Order Reference 222J)
222H	-----		Bracket-Control -(For Replacement Control Bracket, Order Reference 222J)
222J	798686		BRACKET-CONTROL
227	697402		LEVER, Governor Control
236	591292		LINK, Lockout
265	692179		CLAMP-CASING
265A	690798		CLAMP, Casing
265B	691024		CLAMP, Casing
267	691044		SCREW -(Casing Clamp)
268	691025		CASING, Control Wire
269	691026		WIRE, Control
270	691027		NUT -(Control Wire Casing)
271	691028		LEVER, Control
333A	591420		ARMATURE, Magneto
334	691061		SCREW -(Magneto Armature)
356	692390		WIRE, Stop
362	793351		SHIELD-SPARK PLUG
404	690272		WASHER -(Governor Crank)
505	691251		NUT -(Governor Control Lever)
562	691119		BOLT -(Governor Control Lever)
615	690340		RETAINER, Governor Shaft
616	697405		CRANK, Governor
621	692310		SWITCH, Stop -(Brake)
635	66538S		BOOT, Spark PLug
729	690586		CLIP, Wire
745	691146		SCREW -(Brake) (7/8)
745A	690859		SCREW -(Brake) (1/2)
772	691111		SCREW -(Linkage Cover)
851	493880S		TERMINAL-SPARK PLUG
851A	692424		TERMINAL, Spark Plug
922	692135		SPRING, Brake
923	691487		BRAKE
925	691349		COVER, Linkage



Camshaft, Crankcase Cover/Sump, Crankshaft, Gasket Set - Engine, Gasket Set - Valve,

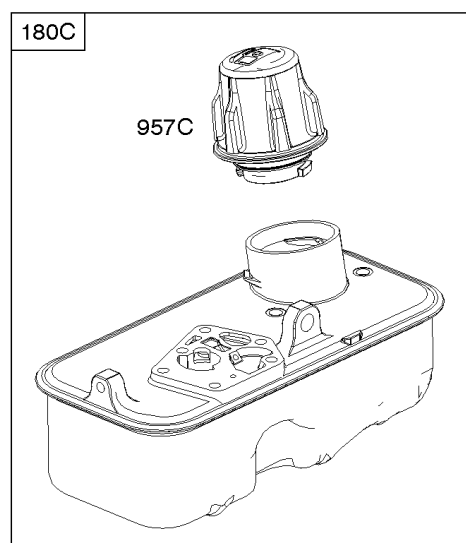
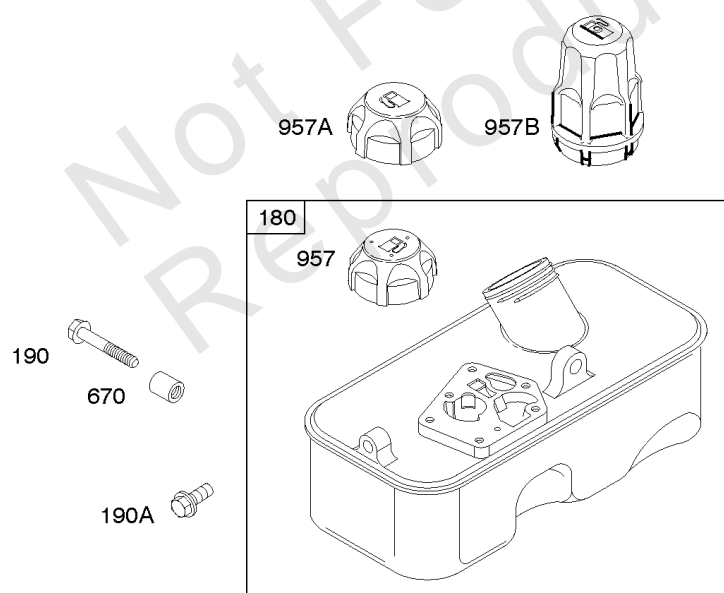
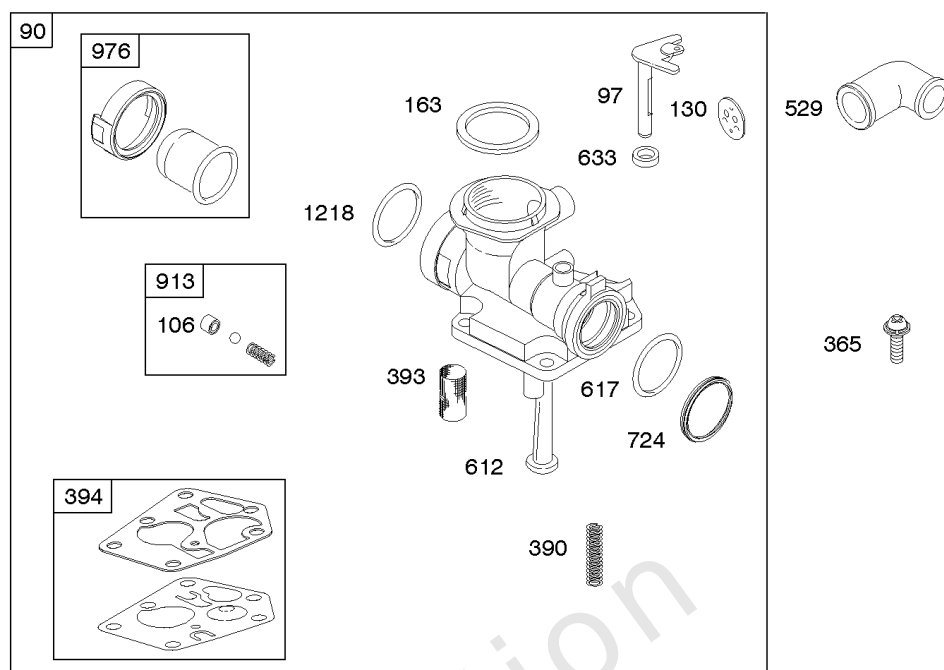
REF NO	PART NO	QTY	DESCRIPTION
3	299819S		SEAL, Oil -(Magneto Side)
4	798264		SUMP, Engine -(Engines with 6 Sump Screws)
4A	590569		SUMP, Engine -(Engines with 7 Sump Screws)
7	698717		GASKET-CYL HD
9	695890		GASKET-BREATHER
12	692218		GASKET, Crankcase -(.015)(Engines with 6 Sump Screws)
12	270895		GASKET, Crankcase -(.005)(Engines with 6 Sump Screws)
12	270896		GASKET, Crankcase -(.009)(Engines with 6 Sump Screws)
12A	799587		GASKET, Crankcase -(Engines with 7 Sump Screws)
15	691680		PLUG, Oil Drain
16	796217		CRANKSHAFT
20	391483S		SEAL, Oil -(PTO Side)
22	692551		SCREW -(Crankcase Cover/Sump)
22A	590763		SCREW -(Crankcase Cover/Sump)
24	222698S		KEY, Flywheel
25	795689		PISTON ASSEMBLY -(.020 Oversize)
25	795691		PISTON ASSEMBLY
26	795688		SET, Ring -(.020 Oversize)
26	795690		SET, Ring
27	691588		LOCK, Piston Pin
28	699659		PIN, Piston
29	699654		ROD-CONNECTING
32	691664		SCREW -(Connecting Rod)
33	296676		VALVE, Exhaust -(Grooved Stem-Includes Retainer)
34	296677		VALVE, Intake -(Grooved stem-includes Retainer)
35	690520		SPRING-VALVE -(Intake)
36	690520		SPRING-VALVE -(Exhaust)
40	692194		RETAINER, Valve
43	697799		SLINGER, Governor/Oil
45	691762		TAPPET, Valve
46	691998		CAMSHAFT
51	699649		GASKET, Intake
51C	792389		GASKET, Intake
163	271139S		GASKET, Air Cleaner -(Air Cleaner)
358	590777		GASKET SET, Engine
524	691876		SEAL, O-Ring
718A	499047		PIN, Locating -(Crankshaft)
741	796210		GEAR, Timing -(Plastic)



Camshaft, Crankcase Cover/Sump, Crankshaft, Gasket Set - Engine, Gasket Set - Valve,

REF NO	PART NO	QTY	DESCRIPTION
741A	691805		GEAR, Timing -(Metal)
868	697338		SEAL, Valve
1095	498526		GASKET SET, Valve

Not For Reproduction



Carburetor, Fuel Supply

REF NO	PART NO	QTY	DESCRIPTION
90	798758		CARBURETOR
97	697414		SHAFT, Throttle
106	691901		SEAT, Inlet
130	691190		VALVE, Throttle
163	271139S		GASKET, Air Cleaner -(Air Cleaner)
180	494406		TANK, Fuel -(Metal)
190	691640		SCREW -(Fuel Tank) (1 3/4)
190A	691108		SCREW -(Fuel Tank) (9/16" Long)
365	790029		SCREW -(Carburetor)
390	691839		SPRING-CHOKE DIAPH
393	691837		SCREEN, Carburetor
394	795083		DIAPHRAGM, Carburetor
529	692189		GROMMET
612	496046S		TUBE-PICK UP
617	270344S		SEAL, O-Ring -(Intake Manifold)
633	691321		SEAL-CHOKE/THR SHAFT -(Throttle)
670	691633		SPACER, Fuel Tank
724	697478		RETAINER, Seal
913	494409		SEAT, Valve
957	497929S		CAP, Fuel Tank -(Plastic)
957B	792878		CAP, Fuel Tank -(Plastic)
976	694394		PRIMER-CARBURETOR
1218	695866		SEAL, O-Ring -(Carburetor)

1319 WARNING LABEL

WARNING

Read and follow Operating Instructions before running engine.

Gasoline is flammable. Allow engine to cool at least 2 minutes before refueling.

Engines emit carbon monoxide. **DO NOT** run in enclosed area.

Muffler area temperature may exceed 150°F. Do not touch hot parts.

REQUIRED when replacing parts with warning labels affixed.

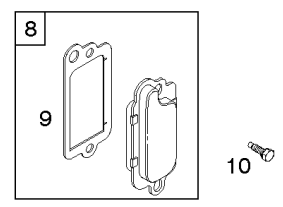
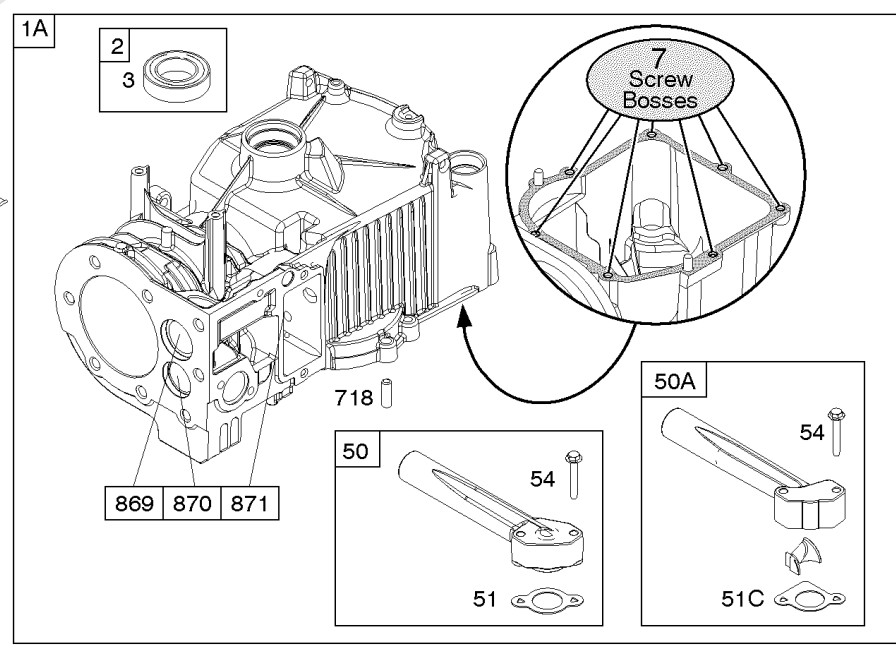
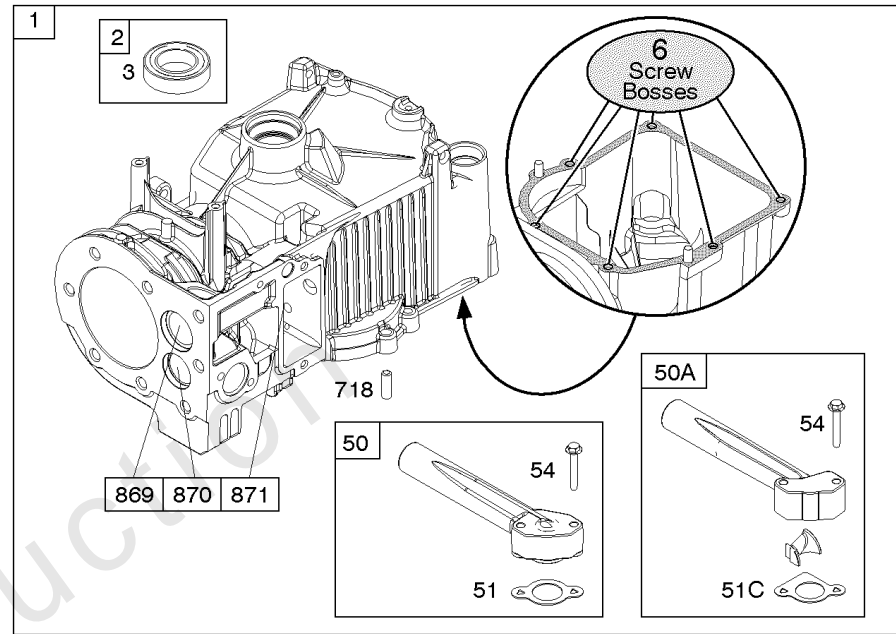
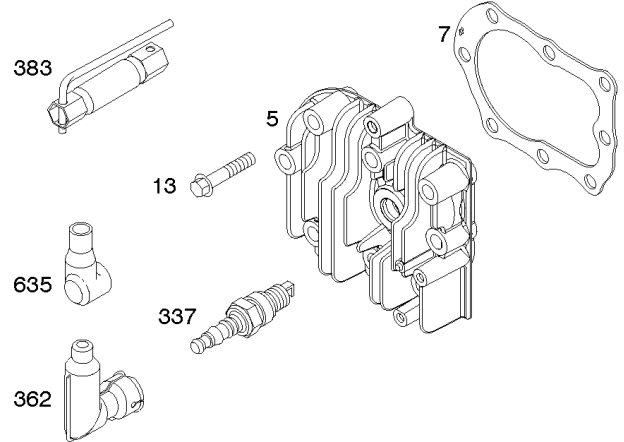
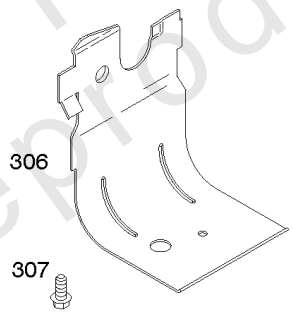
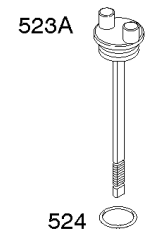
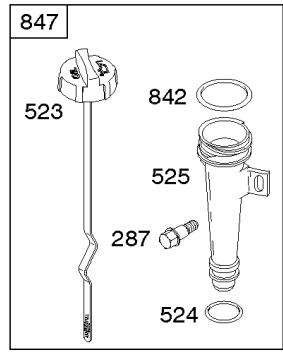
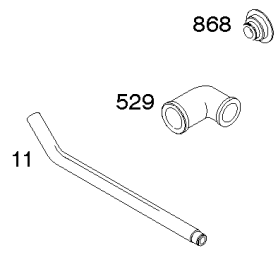
1319A WARNING LABEL

REQUIRED when replacing parts with warning labels affixed.

1058 OPERATOR'S MANUAL

1330 REPAIR MANUAL

1036 EMISSIONS LABEL



Cylinder, Cylinder Head, Lubrication, Operator's Manual, Warning Label

REF NO	PART NO	QTY	DESCRIPTION
1	699650		CYLINDER ASSEMBLY -(Engines with 6 Sump Screws)
1A	590770		CYLINDER ASSEMBLY -(Engines with 7 Sump Screws)
2	796961		KIT, Bushing/Seal -(Magneto Side)
3	299819S		SEAL, Oil -(Magneto Side)
5	790169		HEAD, Cylinder
7	698717		GASKET-CYL HD
8	791781		BREATHER ASSEMBLY
9	695890		GASKET-BREATHER
10	691666		SCREW -(Breather Assembly)
11	691245		TUBE, Breather
13	691640		SCREW -(Cylinder Head)
50	699644		MANIFOLD, Intake
50A	792388		MANIFOLD, Intake
51	699649		GASKET, Intake
51C	792389		GASKET, Intake
54	691111		SCREW -(Intake Manifold)
287	691002		SCREW -(Dipstick Tube)
306	690400		SHIELD, Cylinder -Used Before Code Date 06101100
307	690345		SCREW -(Cylinder Shield) -Used Before Code Date 06101100
337	796112S		PLUG-SPARK
362	793351		SHIELD-SPARK PLUG
383	89838S		WRENCH-SPARK PLUG
523	692040		DIPSTICK
524	691876		SEAL, O-Ring
525	691320		TUBE, Dipstick
529	692189		GROMMET
635	66538S		BOOT, Spark PLug
718	690959		PIN, Locating -(Cylinder)
842	691870		SEAL, O-Ring -(Dipstick Tube)
847	691440		DIPSTICK/TUBE ASSY
868	697338		SEAL, Valve
869	699641		SEAT, Valve -(Intake)
870	699642		SEAT, Valve -(Exhaust)
871	63709		BUSHING, Valve Guide -(Intake)
871	699643		BUSHING, Valve Guide -(Exhaust)
1036	-----		Label-Emissions -(Available From A Briggs & Stratton Authorized Dealer)
1058	277038		MANUAL, Operator's
1319	794467		LABEL, Warning

1319 WARNING LABEL

WARNING

Read and follow Operating Instructions before running engine.

Gasoline is flammable. Allow engine to cool at least 2 minutes before refueling.

Engines emit carbon monoxide. **DO NOT** run in enclosed area.

Muffler area temperature may exceed 150°F. Do not touch hot parts.

REQUIRED when replacing parts with warning labels affixed.

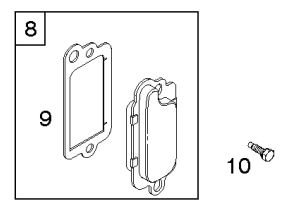
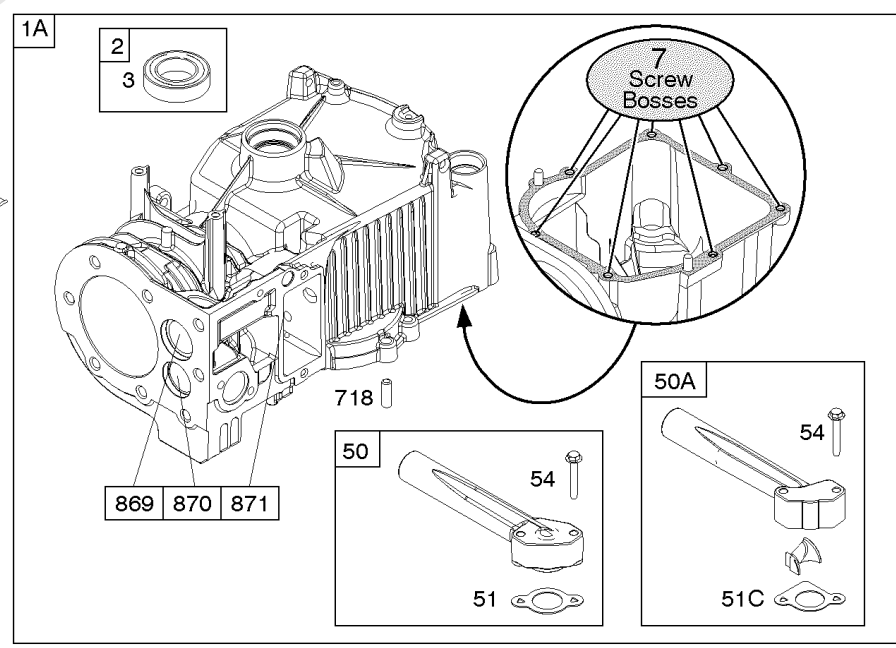
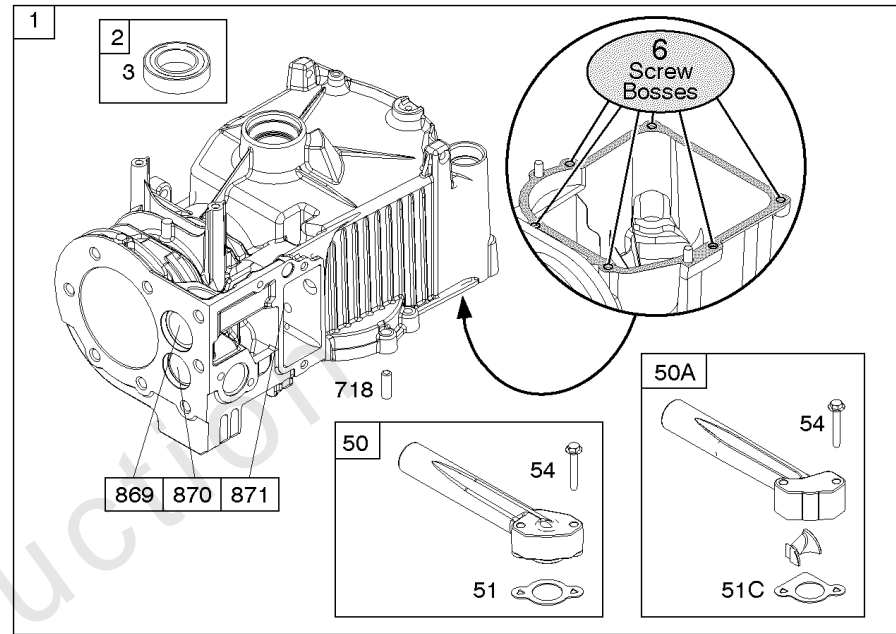
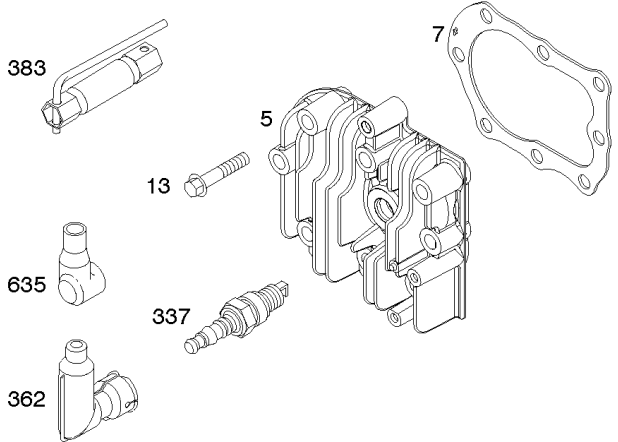
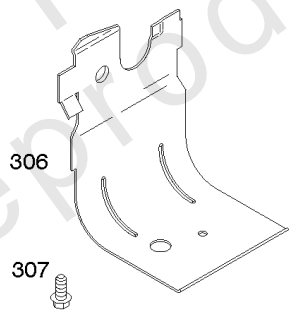
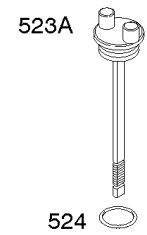
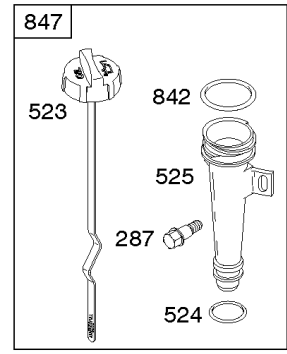
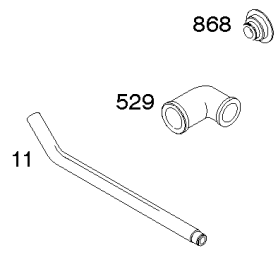
1319A WARNING LABEL

REQUIRED when replacing parts with warning labels affixed.

1058 OPERATOR'S MANUAL

1330 REPAIR MANUAL

1036 EMISSIONS LABEL



Cylinder, Cylinder Head, Lubrication, Operator's Manual, Warning Label

REF NO	PART NO	QTY	DESCRIPTION
1319A	797669		LABEL, Warning
1330	270962		REP MAN-1 CYL L-HD

Not For Reproduction

Replacement Engine - US & Canada

REF NO	PART NO	QTY	DESCRIPTION
	10T8020015	1	Replacement Engine
	793347	1	Replacement Short Block
	-----		Top No-Load Speed: 3100 -Trim: ALL
	-----		Service Note: Replacement engine listed is not available in the State of California. Repair with Short Block and individual parts.
	-----		Service Note: The Original Engine was equipped with a Special Spark Plug Boot and Armature . The Armature Assembly Must be Transferred to the Replacement Engine.

Not For Reproduction

