

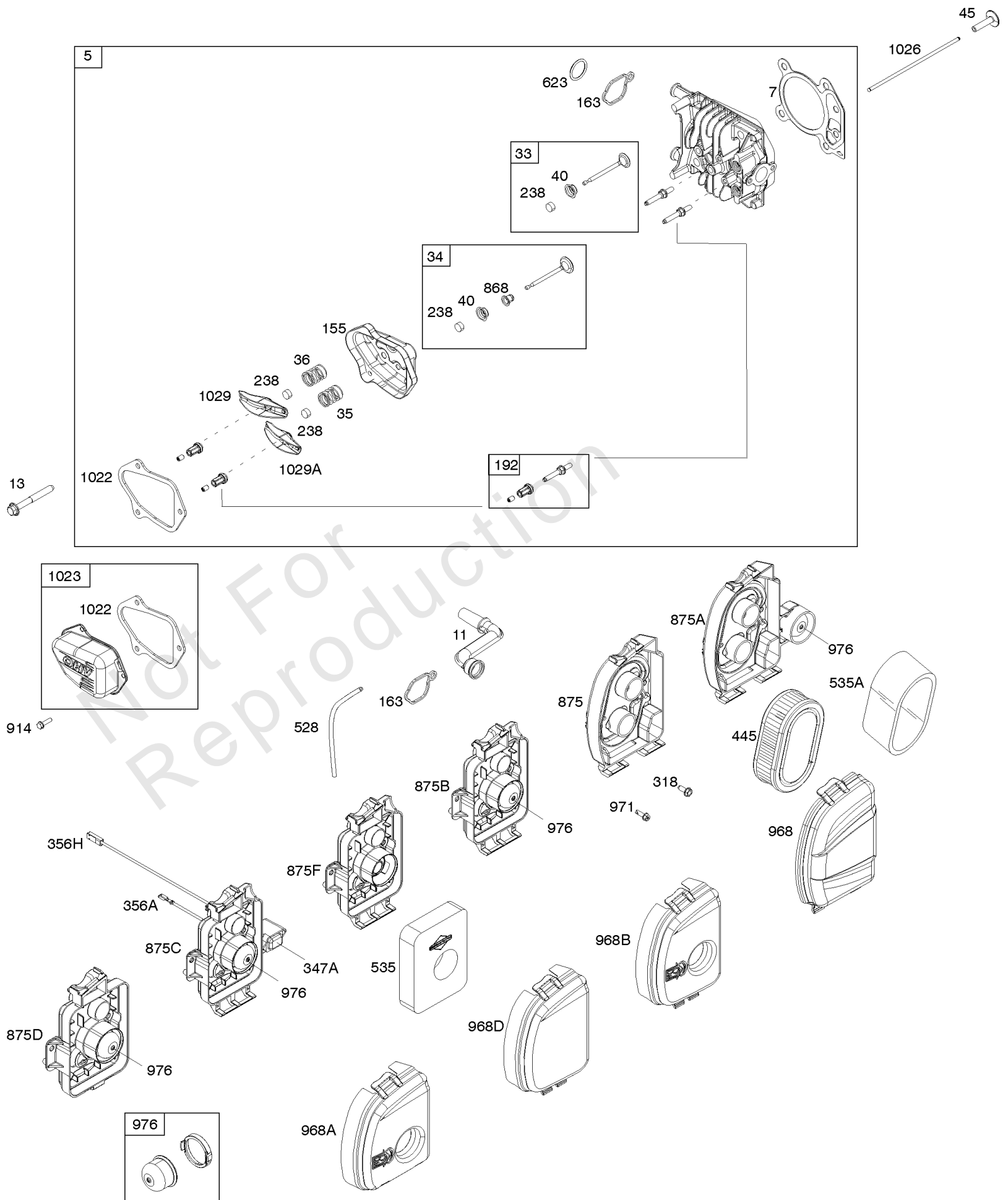


Parts Manual

Mfg. No: 09P702-0021-H1

Model Components	Page
Air Cleaner, Cylinder Head.	4
Armature, Controls, Electrical System, Governor Spring, Ignition, Spark Plug.	6
Blower Housing, Rewind Starter.	8
Camshaft, Crankshaft, Cylinder, Gasket Set, Piston/Rings/Connecting Rod, Sump, Warning Label.	10
Carburetor Group.	14
Exhaust System, Fuel Supply.	16
Flywheel.	18
Replacement Engine - US & Canada.	20

Not For
Reproduction

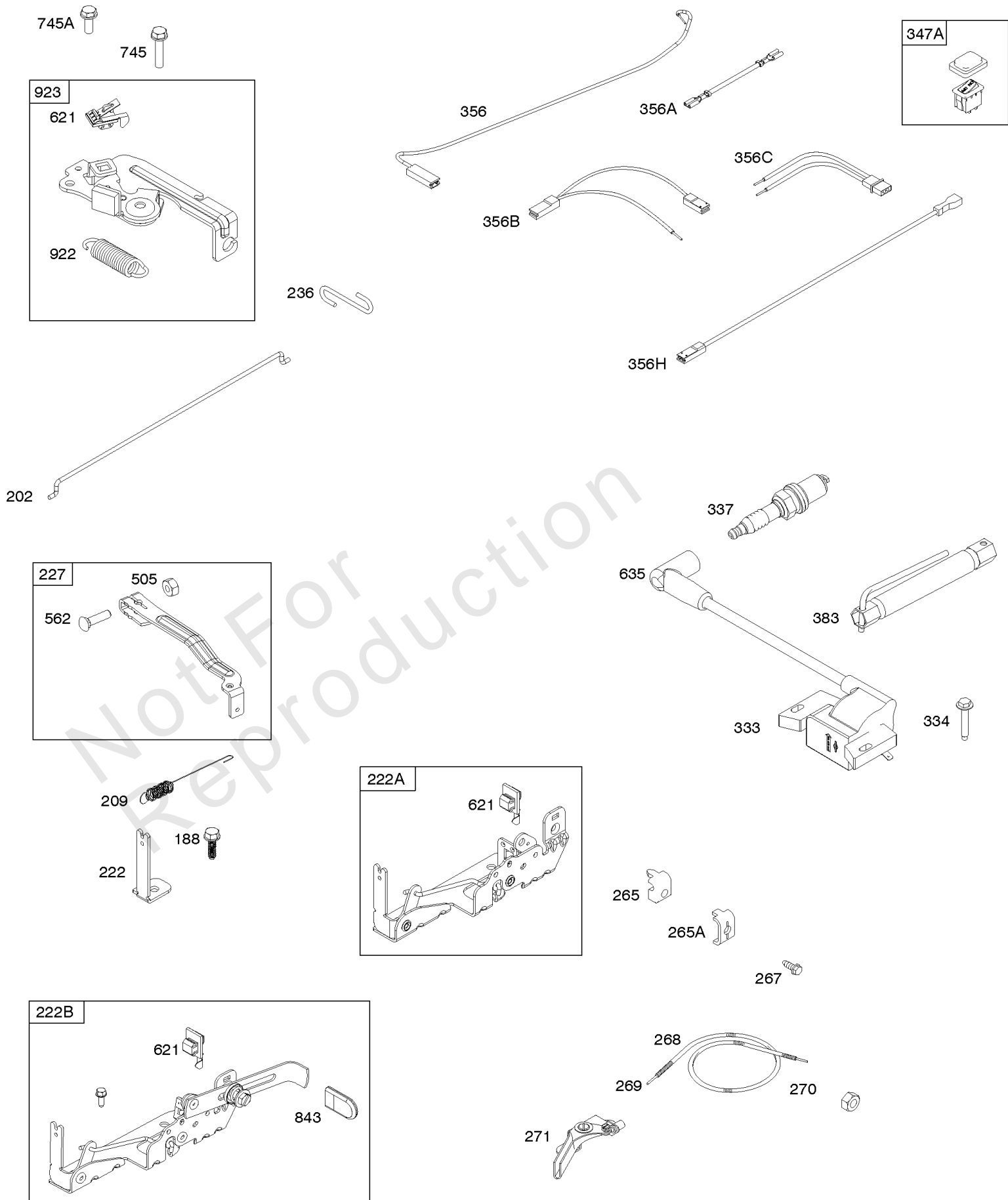


Air Cleaner, Cylinder Head

REF NO	PART NO	QTY	DESCRIPTION
5	595351	1	HEAD, Cylinder -Used Before Code Date 18070100
5	84001270	1	HEAD, Cylinder -Used After Code Date 18063000
7	799586	1	GASKET, Cylinder Head
11	590522	1	TUBE, Breather
13	590512	4	SCREW -(Cylinder Head)
33	590531	1	VALVE, Exhaust
34	590530	1	VALVE, Intake -Used Before Code Date 18070100
34	84001987	1	VALVE, Intake -Used After Code Date 18063000
35	590532	1	SPRING, Valve -(Intake)
36	590532	1	SPRING, Valve -(Exhaust)
40	590528	2	RETAINER, Valve
45	590514	2	TAPPET, Valve
155	590529	1	PLATE, Cylinder Head
163	799580	1	GASKET, Air Cleaner -(Air Cleaner)
192	590535	2	ADJUSTER, Rocker Arm
238	590533	2	CAP, Valve
318	793480	2	SCREW -(Mounting Bracket)
356A	592711	1	WIRE, Stop
445	593260	1	FILTER, A/C Cartridge
528	793006	1	HOSE, Primer -(Cut To Required Length)
535	799579	1	FILTER, Air Cleaner Foam
535A	595191	1	FILTER, Air Cleaner Foam
623	799581	1	SEAL, O-Ring -(Carburetor Spacer)
868	590534	1	SEAL, Valve -Used Before Code Date 18070100
868	84001271	1	SEAL, Valve -Used After Code Date 18063000
875	590553	1	BASE, Air Cleaner -Used Before Code Date 16051600
875	595661	1	BASE-AIR CLEANER -Used After Code Date 16051500
875A	595662	1	BASE, Air Cleaner -Used After Code Date 16051500
875A	590557	1	BASE, Air Cleaner -Used Before Code Date 16051600
914	591103	3	SCREW -(Rocker Cover)
968	595658	1	COVER, Air Cleaner
971	590552	2	SCREW -(Air Cleaner Base to Carburetor/Throttle Body)
976	594281	1	PRIMER, Carburetor
1022	591255	1	GASKET, Rocker Cover
1023	595349	1	COVER, Rocker
1026	590515	2	ROD, Push
1029	590526	1	ARM, Rocker
1029A	590527	1	ARM, Rocker

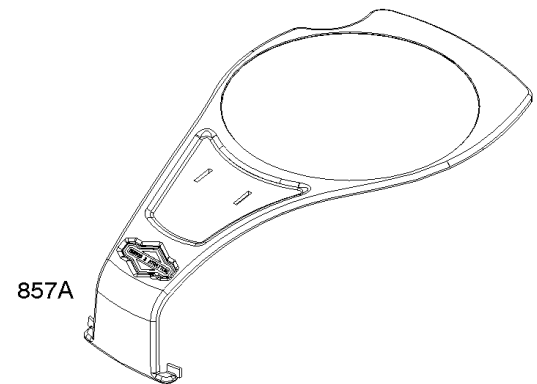
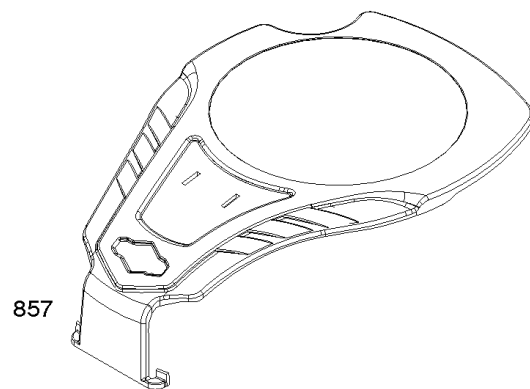
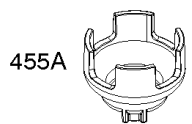
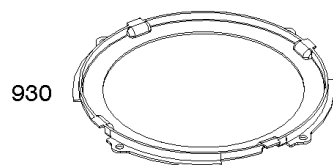
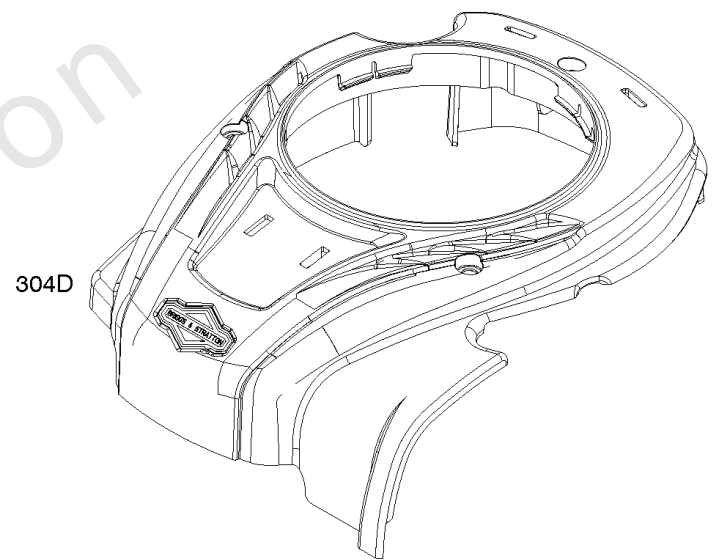
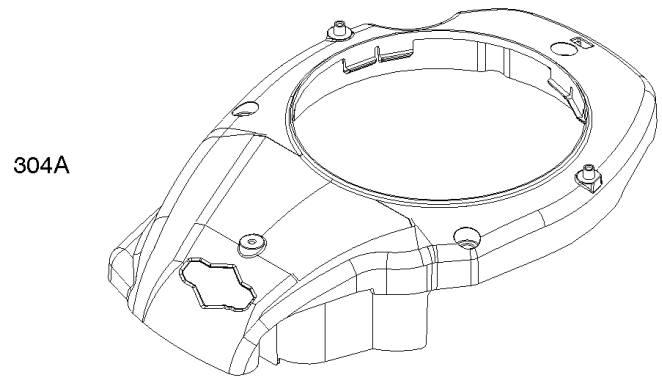
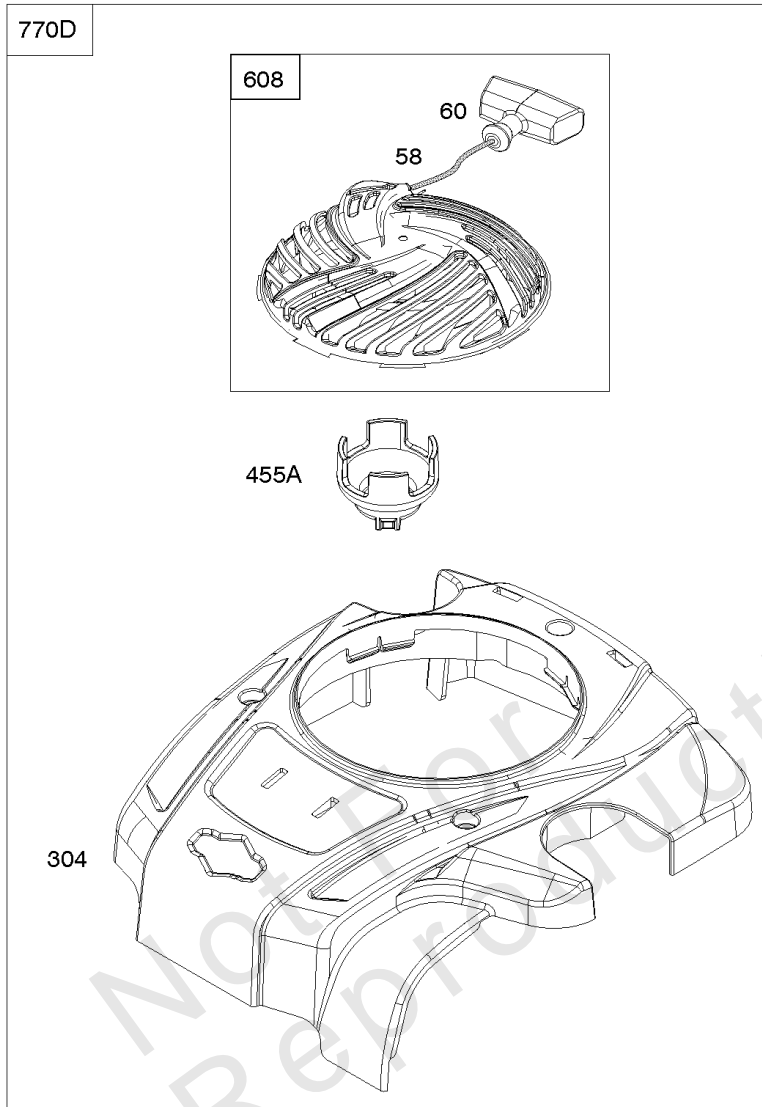
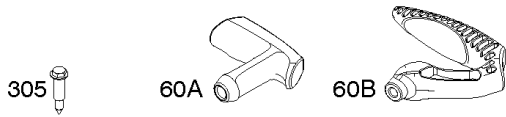
Armature, Controls, Electrical System, Governor Spring, Ignition, Spark Plug

Mfg. No: 09P702-0021-H1



Armature, Controls, Electrical System, Governor Spring, Ignition, Spark Plug

REF NO	PART NO	QTY	DESCRIPTION
188	793480		SCREW -(Control Bracket)
202	590517		LINK, Mechanical Governor
209	590541		SPRING, Governor -Used Before Code Date 16071100
209	596743		SPRING, Governor -Used After Code Date 16071000
222	590560		BRACKET, Control
222A	596458		BRACKET, Control -Used After Code Date 17010100
222A	590561		BRACKET, Control -Used Before Code Date 17010200
222B	596465		BRACKET, Control
227	590520		LEVER, Governor Control
236	591292		LINK, Lockout
265	690798		CLAMP, Casing
265A	691024		CLAMP, Casing
267	692577		SCREW -(Casing Clamp)
268	691025		CASING, Control Wire -(Cut To Required Length)
269	691026		WIRE, Control -(Cut To Required Length)
270	691027		NUT -(Control Wire Casing)
271	691028		LEVER, Control
333	593872		ARMATURE, Magneto
334	691061		SCREW -(Magneto Armature)
337	692051		PLUG, Spark -(Resistor)
356	692390		WIRE, Stop
356A	592711		WIRE, Stop
383	19576S		WRENCH, Spark Plug
505	793515		NUT -(Governor Control Lever)
562	793514		BOLT -(Governor Lever)
621	692310		SWITCH, Stop
635	692076		BOOT, Spark Plug
745	691146		SCREW -(Brake)
745A	690859		SCREW -(Brake)
843	593215		SLEEVE, Lever
922	692135		SPRING, Brake
923	691487		BRAKE

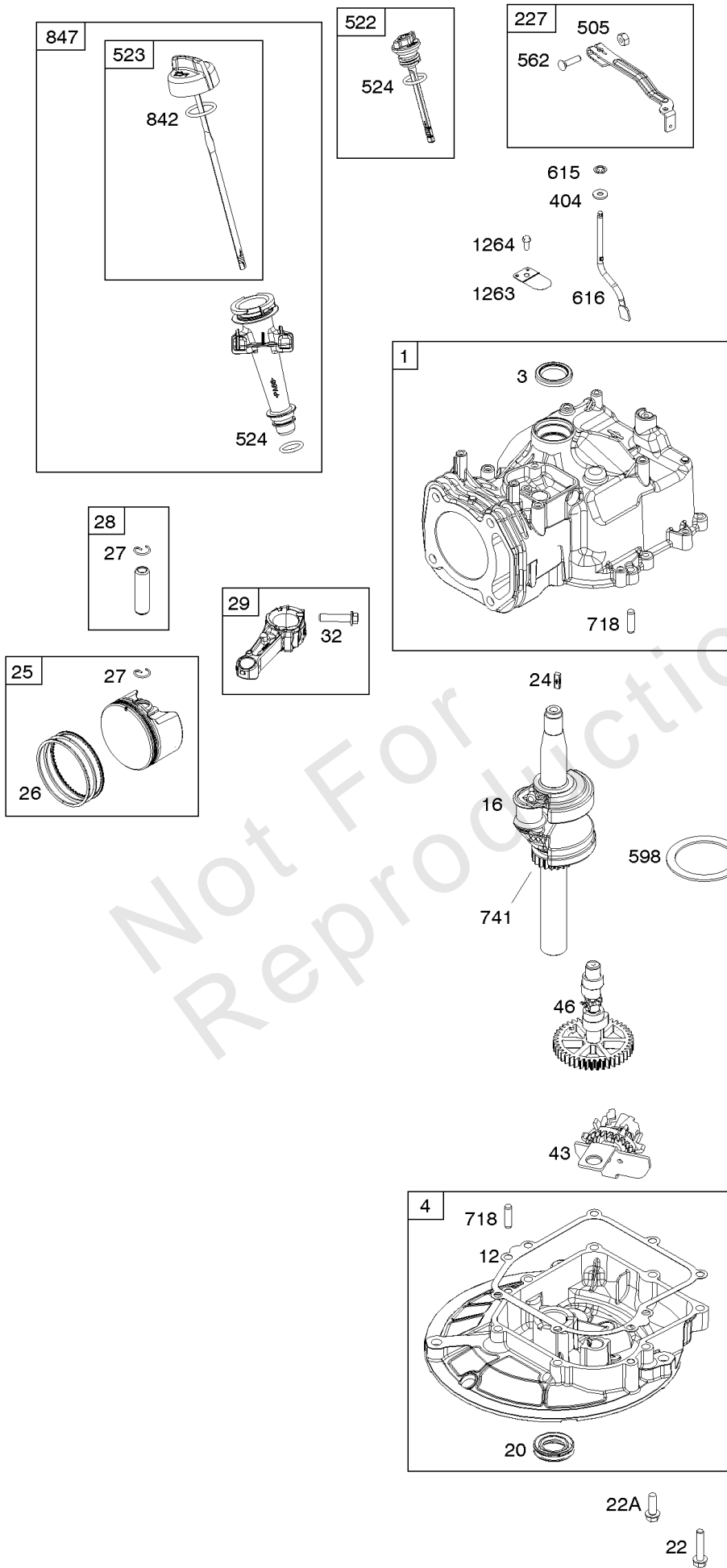


Blower Housing, Rewind Starter

REF NO	PART NO	QTY	DESCRIPTION
58	591108	1	ROPE, Starter
60	691915	1	GRIP, Starter Rope
60A	281434S	1	GRIP, Starter Rope
60B	799716	1	GRIP, Starter Rope
304	593961	1	HOUSING, Blower
304A	593962	1	HOUSING, Blower
304D	596457	1	HOUSING, Blower
305	590586	3	SCREW -(Blower Housing)
455	590545	1	CUP, Flywheel -Used Before Code Date 14082500
455A	593960	1	CUP, Flywheel -(To Be Used With Reference 608) -Used After Code Date 14082400
608	593959	1	STARTER, Rewind -(To Be Used With Reference 455A) (Not To Be Used With Reference 455) -Used After Code Date 14082400
770D	595355	1	KIT, Rewind/Blower Housing
857	591113	1	TRIM, Blower Housing Cover
857A	591114	1	TRIM, Blower Housing Cover
930	590585	1	GUARD, Rewind -Used Before Code Date 15041300

Camshaft, Crankshaft, Cylinder, Gasket Set, Piston/Rings/Connecting Rod, Sump,

Mfg. No: 09P702-0021-H1



1319 WARNING LABEL

WARNING

Read and follow Operating instructions before running engine.

Gasoline is flammable. Allow engine to cool at least 2 minutes before refueling.

Engines emit carbon monoxide, **DO NOT** run in enclosed area.

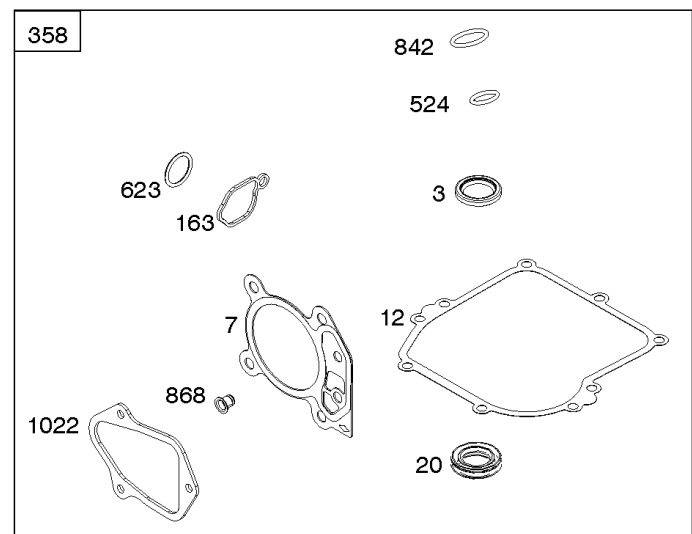
Exhaust area temperature may exceed 150° F. Do not touch hot parts.

REQUIRED when replacing parts with warning labels affixed.

1319A WARNING LABEL

REQUIRED when replacing parts with warning labels affixed.

1036 EMISSIONS LABEL

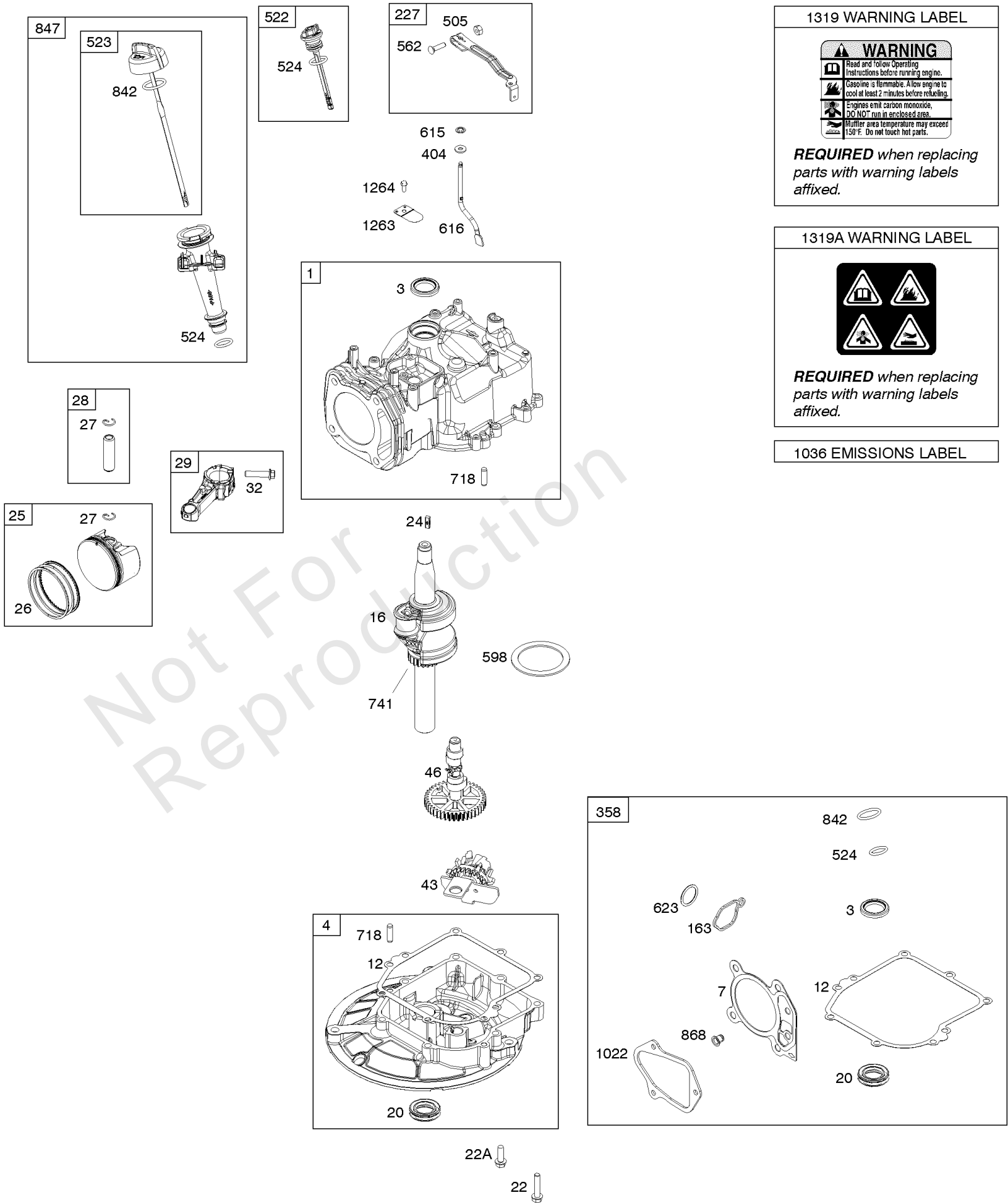


Camshaft, Crankshaft, Cylinder, Gasket Set, Piston/Rings/Connecting Rod, Sump,

REF NO	PART NO	QTY	DESCRIPTION
1	590519		CYLINDER ASSEMBLY
3	299819S		SEAL, Oil -(Magneto Side)
4	590569		SUMP, Engine
7	799586		GASKET, Cylinder Head
12	799587		GASKET, Crankcase
16	590538		CRANKSHAFT
20	391483S		SEAL, Oil -(PTO Side)
22	692551		SCREW -(Crankcase Cover/Sump)
22A	590763		SCREW -(Crankcase Cover/Sump)
24	222698S		KEY, Flywheel
25	590521		PISTON ASSEMBLY -(Standard)
26	590523		SET, Ring -(Standard)
27	691588		LOCK, Piston Pin
28	699659		PIN, Piston -(Standard)
29	590518		ROD, Connecting
32	691664		SCREW -(Connecting Rod)
43	697799		SLINGER, Governor/Oil -Used Before Code Date 16071100
43	594560		SLINGER, Governor/Oil -Used After Code Date 16071000
46	592968		CAMSHAFT
163	799580		GASKET, Air Cleaner -(Air Cleaner)
227	590520		LEVER, Governor Control
358	595350		GASKET SET, Engine -(Service Kits may include extra parts not specific to this engine.) -Used Before Code Date 18070100
358	84001272		GASKET SET, Engine -(Service Kits may include extra parts not specific to this engine.) -Used After Code Date 18063000
404	690272		WASHER -(Governor Crank)
505	793515		NUT -(Governor Control Lever)
522	590580		PLUG, Dipstick/Fill
523	796503		DIPSTICK
524	691876		SEAL, O-Ring
562	793514		BOLT -(Governor Lever)
598	593291		SHIM, End Play -(Crankshaft or Camshaft Bearing)
615	690340		RETAINER, Governor Shaft
616	590516		CRANK, Governor
623	799581		SEAL, O-Ring -(Carburetor Spacer)
718	690959		PIN, Locating -(Crankcase Cover/Sump)
741	796210		GEAR, Timing -(Plastic)
842	691031		SEAL, O-Ring -(Dipstick Tube)

Camshaft, Crankshaft, Cylinder, Gasket Set, Piston/Rings/Connecting Rod, Sump,

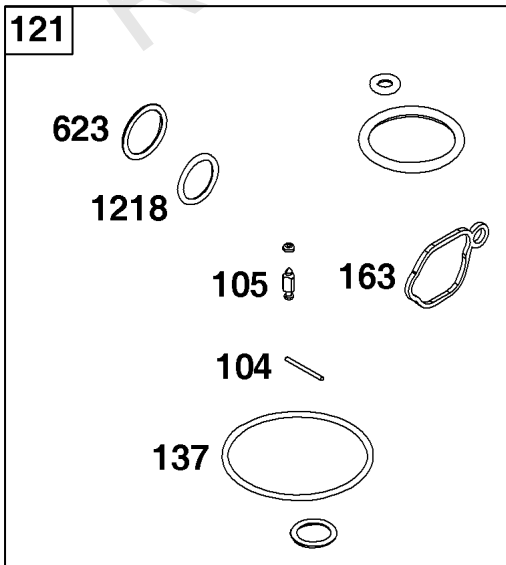
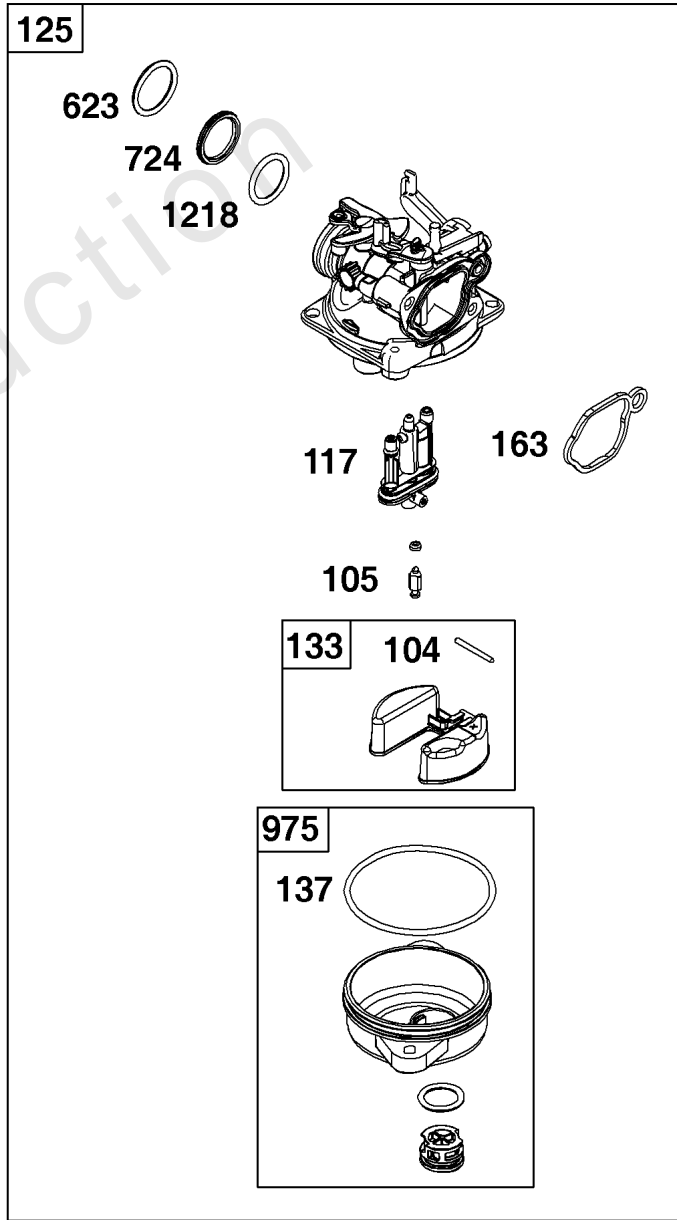
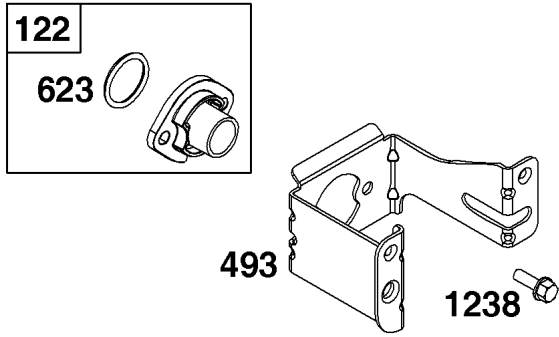
Mfg. No: 09P702-0021-H1



Camshaft, Crankshaft, Cylinder, Gasket Set, Piston/Rings/Connecting Rod, Sump,

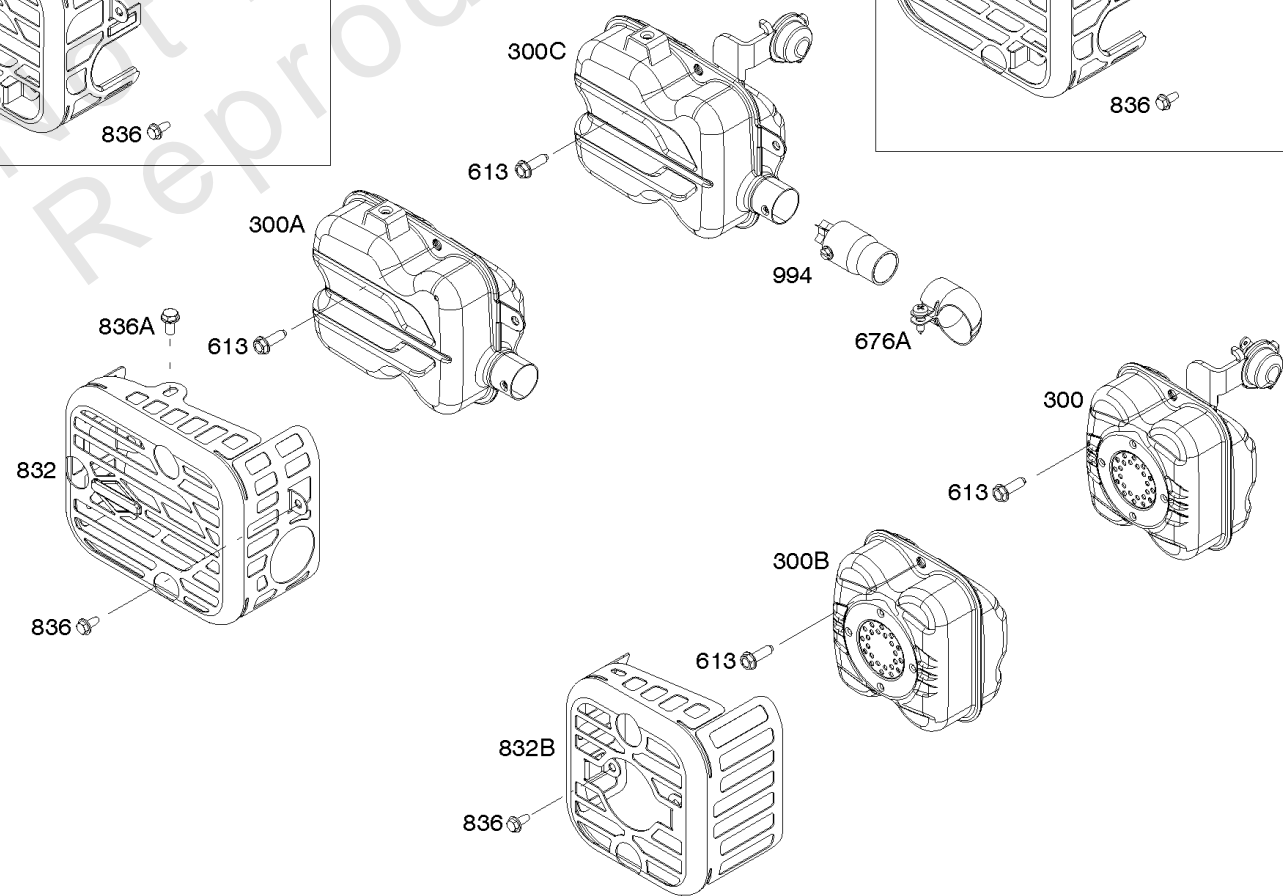
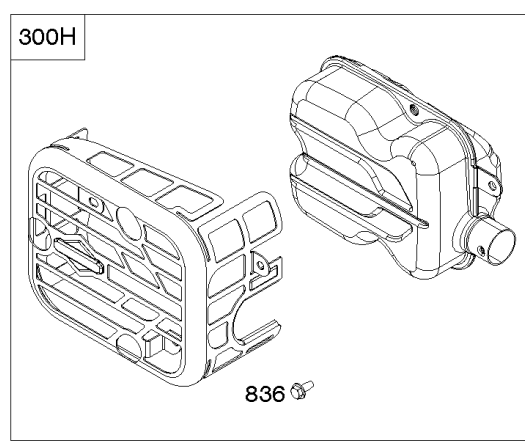
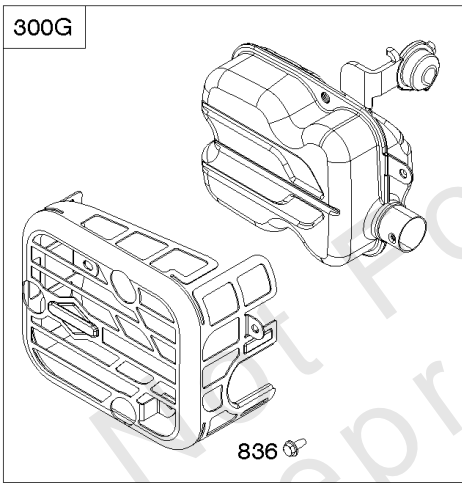
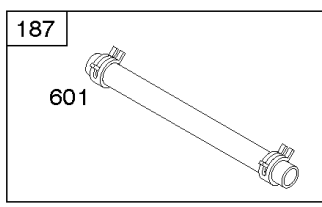
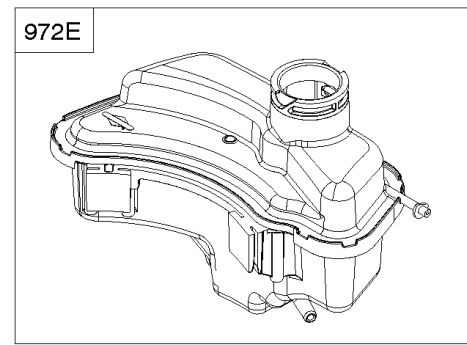
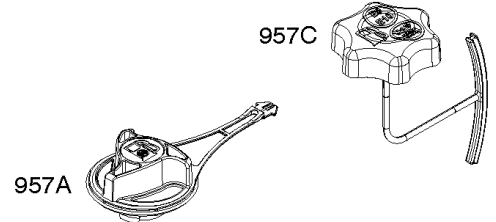
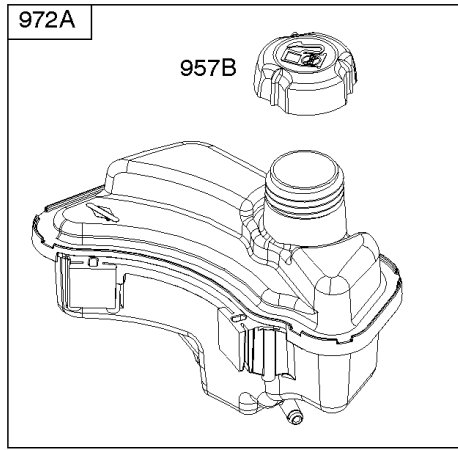
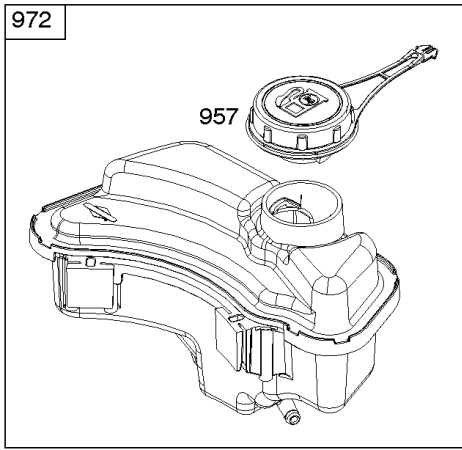
REF NO	PART NO	QTY	DESCRIPTION
847	590572		DIPSTICK/TUBE ASSEMBLY
868	590534		SEAL, Valve -(Intake)
1022	591255		GASKET, Rocker Cover
1036	-----		Label-Emissions -(Available From A Briggs & Stratton Authorized Dealer)
1263	697124		REED, Breather
1264	793453		SCREW -(Breather Reed)
1319	794467		LABEL, Warning
1319A	797669		LABEL, Warning

Not For Reproduction



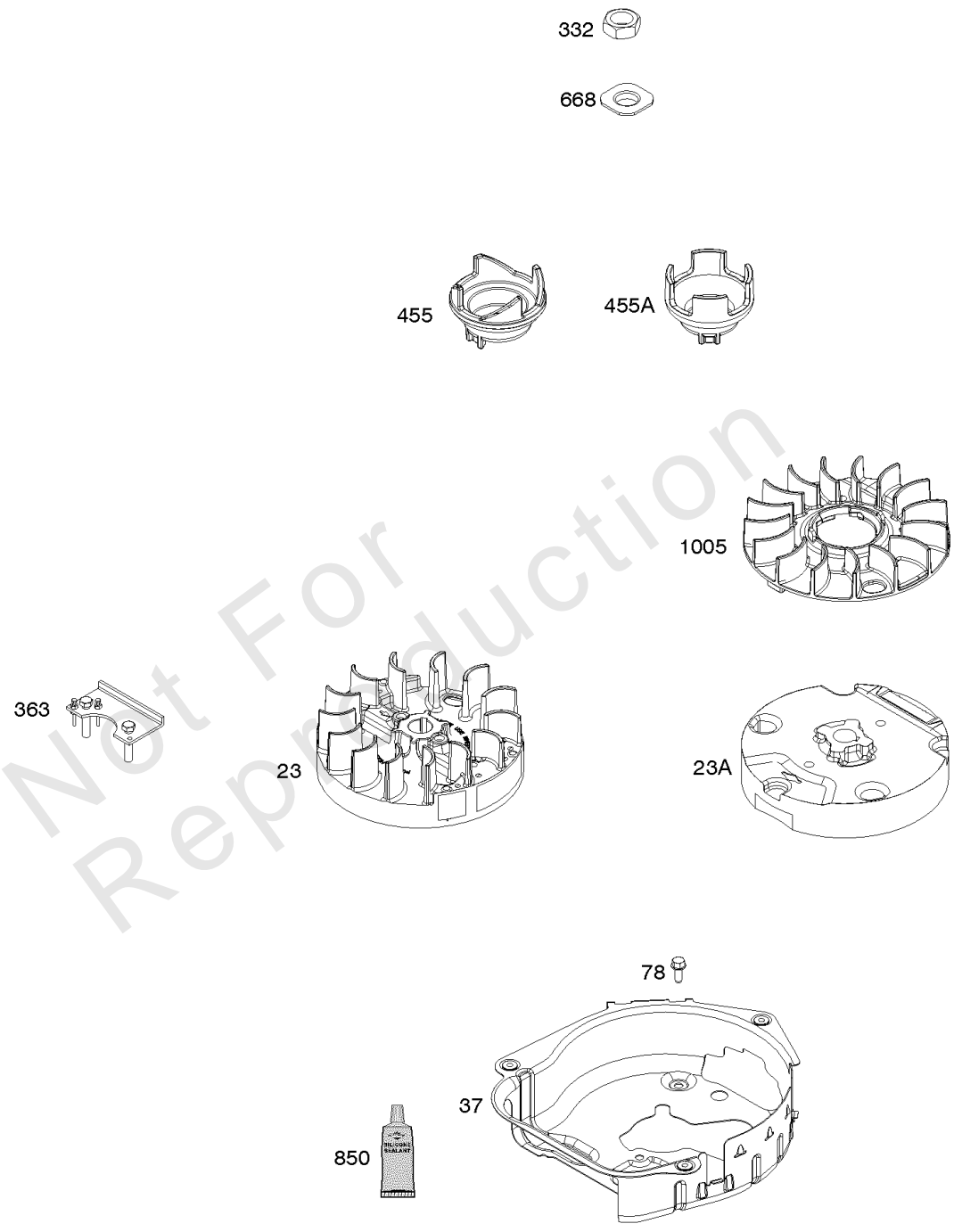
Carburetor Group

REF NO	PART NO	QTY	DESCRIPTION
104	590558	1	PIN, Float Hinge
105	594581	1	VALVE, Float Needle
117	596522	1	JET, Main -(Standard) -Used Before Code Date 18070100
117	84001972	1	JET, Main -(Standard) -Used After Code Date 18063000
118	596665	1	JET, Main -(High Altitude) -Used Before Code Date 18070100
118	84001974	1	JET, Main -(High Altitude) -Used After Code Date 18063000
121	594636	1	KIT, Carburetor Overhaul -(Service Kits may include extra parts not specific to this engine.)
122	590549	1	SPACER, Carburetor
125	591110	1	CARBURETOR -Used Before Code Date 18070100
125	84001030	1	CARBURETOR -Used After Code Date 18063000
133	591120	1	FLOAT, Carburetor
137	594633	1	GASKET, Float Bowl
163	799580	1	GASKET, Air Cleaner -(Air Cleaner)
493	593330	1	BRACKET, Mounting
623	799581	1	SEAL, O-Ring -(Carburetor Spacer)
724	697478	1	RETAINER, Seal
975	594632	1	BOWL, Float
1127	590554	2	SCREW -(Float Bowl to Carburetor Body)
1218	270344S	1	SEAL, O-Ring -(Carburetor)
1238	590562	2	SCREW -(Carburetor Spacer)



Exhaust System, Fuel Supply

REF NO	PART NO	QTY	DESCRIPTION
187	791766	1	LINE, Fuel -(Cut To Required Length)
300B	590565	1	MUFFLER
300C	592362	1	MUFFLER -Used Before Code Date 16012800
300G	595516	1	MUFFLER -Used After Code Date 16012700
601	791850	2	CLAMP, Hose
613	590562	2	SCREW -(Muffler)
676A	799187	1	DEFLECTOR, Muffler
832	590566	1	GUARD, Muffler
832B	592709	1	GUARD, Muffler
836	690661	3	SCREW -(Muffler Guard)
836A	793500	3	SCREW -(Muffler Guard)
957	799585	1	CAP, Fuel Tank -(Black) -Used Before Code Date 16100300
957A	-----	1	Cap-Fuel Tank -(Order Replacement Fuel Tank Cap Reference Number 957)
957B	692046	1	CAP, Fuel Tank
957C	596250	1	CAP, Fuel Tank
972A	591947	1	TANK, Fuel
994	690813	1	ARRESTOR, Spark



Flywheel

REF NO	PART NO	QTY	DESCRIPTION
23	590544	1	FLYWHEEL
23A	592005	1	FLYWHEEL
37	594729	1	GUARD, Flywheel
78	793480	5	SCREW -(Flywheel Guard)
332	690662	1	NUT -(Flywheel)
363	19619	1	PULLER, Flywheel
455	590545	1	CUP, Flywheel -Used Before Code Date 14082500
455A	593960	1	CUP, Flywheel -(To Be Used With Reference 608) -Used After Code Date 14082400
668	590546	1	SPACER -(Flywheel)
850	100106	1	SEALANT, Liquid
1005	592050	1	FAN, Flywheel

Not For Reproduction

Replacement Engine - US & Canada

REF NO	PART NO	QTY	DESCRIPTION
--------	---------	-----	-------------

Not For Reproduction

