



# Parts Manual

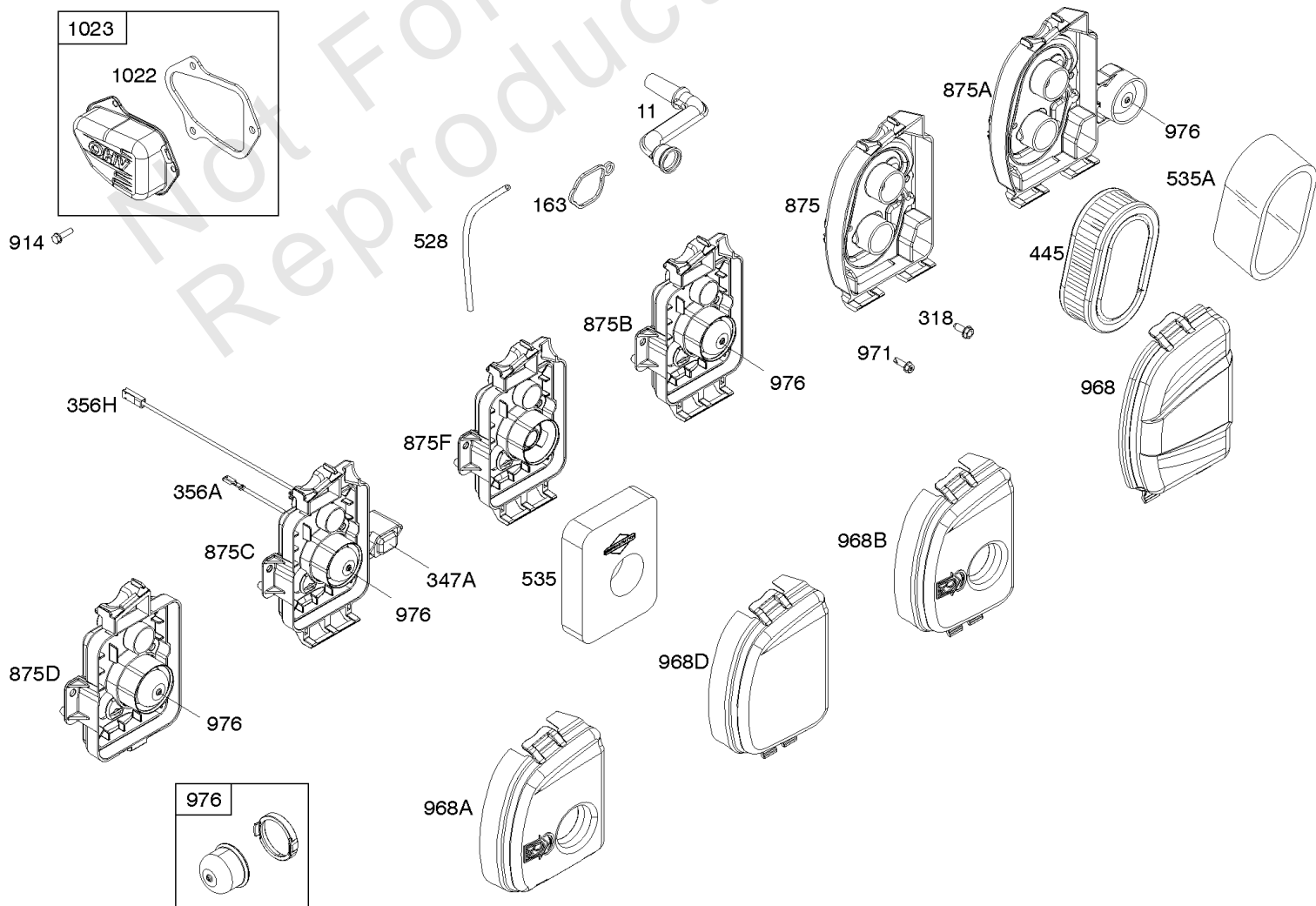
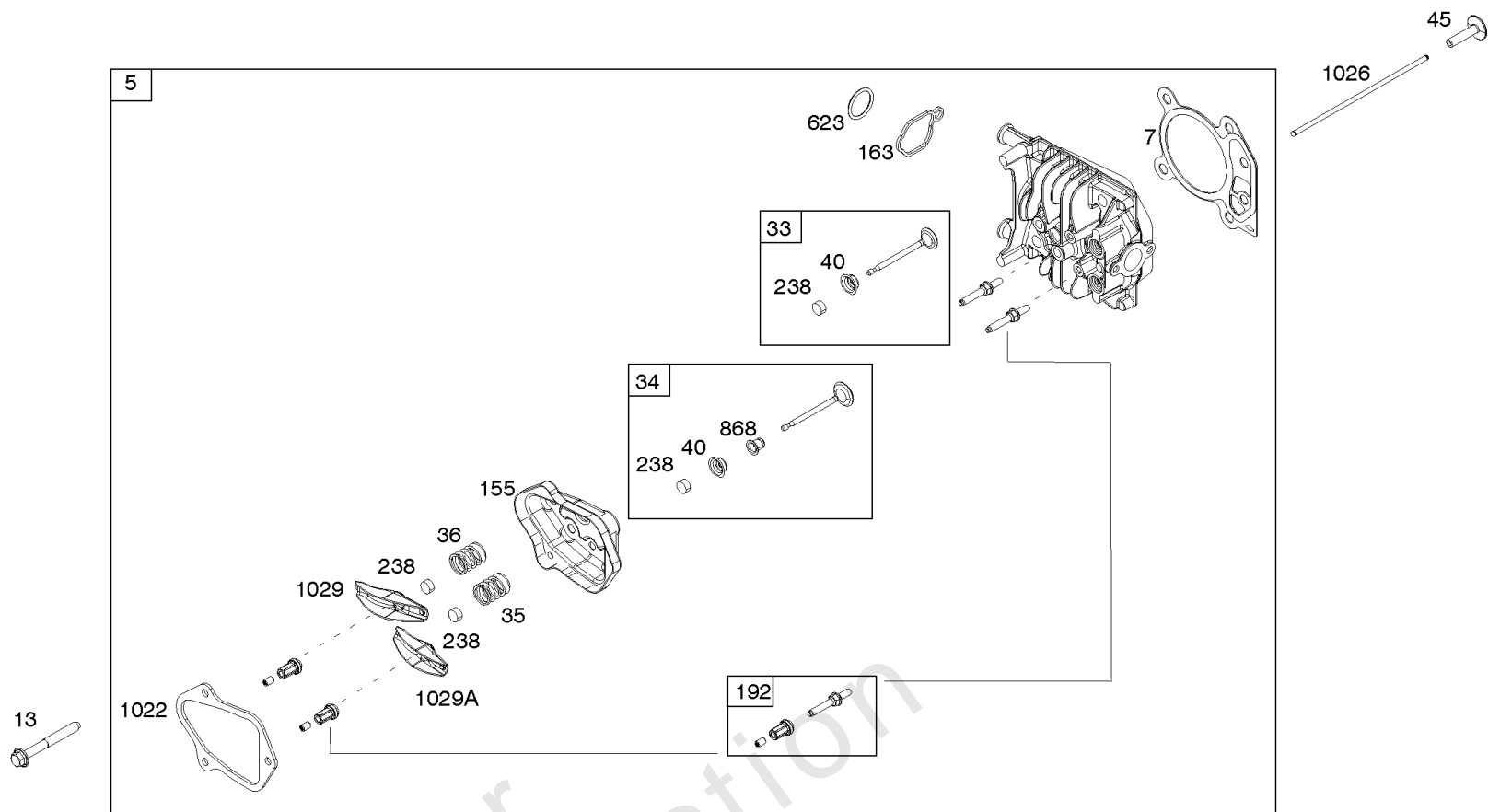
Mfg. No: 09P702-0001-B1



---

<b>Model Components</b>	<b>Page</b>
Air Cleaner, Cylinder Head. ....	4
Armature, Controls, Electrical System, Governor Spring, Ignition, Spark Plug. ....	6
Blower Housing, Rewind Starter. ....	8
Camshaft, Crankshaft, Cylinder, Gasket Set, Piston/Rings/Connecting Rod, Sump, Warning Label. ....	10
Carburetor. ....	14
Exhaust System, Fuel Supply. ....	16
Flywheel. ....	18
Replacement Engine - US & Canada. ....	20

Not For  
Reproduction

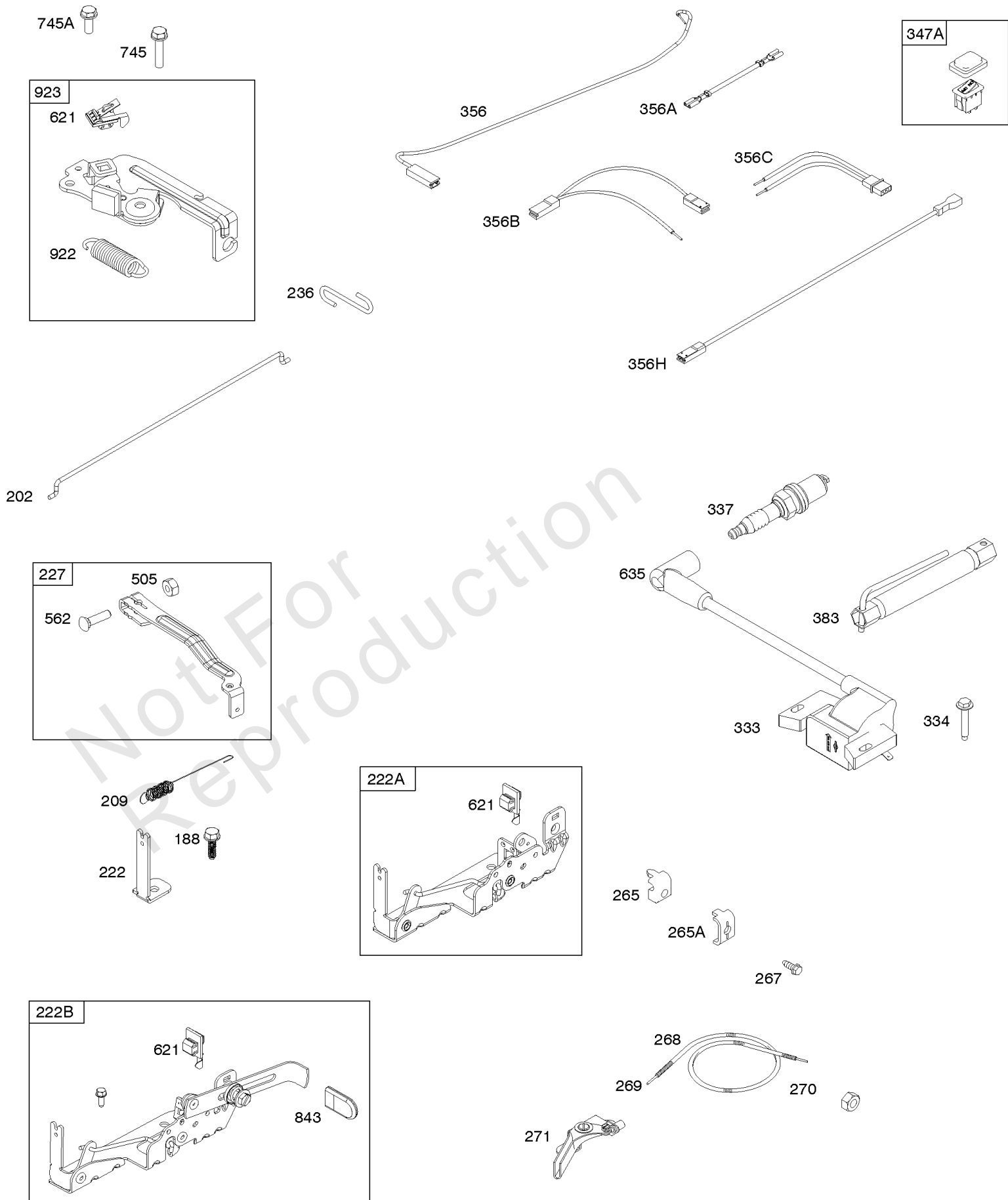


## Air Cleaner, Cylinder Head

REF NO	PART NO	QTY	DESCRIPTION
5	595351	1	HEAD, Cylinder -Used Before Code Date 18070100
5	84001270	1	HEAD, Cylinder -Used After Code Date 18063000
7	799586	1	GASKET, Cylinder Head
11	590522	1	TUBE, Breather
13	590512	4	SCREW -(Cylinder Head)
33	590531	1	VALVE, Exhaust
34	590530	1	VALVE, Intake -Used Before Code Date 18070100
34	84001987	1	VALVE, Intake -Used After Code Date 18063000
35	590532	1	SPRING, Valve -(Intake)
36	590532	1	SPRING, Valve -(Exhaust)
40	590528	2	RETAINER, Valve
45	590514	2	TAPPET, Valve
155	590529	1	PLATE, Cylinder Head
163	799580	1	GASKET, Air Cleaner -(Air Cleaner)
192	590535	2	ADJUSTER, Rocker Arm
238	590533	2	CAP, Valve
318	793480	2	SCREW -(Mounting Bracket)
356A	592711	1	WIRE, Stop
445	593260	1	FILTER, A/C Cartridge
528	793006	1	HOSE, Primer -(Cut To Required Length)
535	799579	1	FILTER, Air Cleaner Foam
535A	595191	1	FILTER, Air Cleaner Foam
623	799581	1	SEAL, O-Ring -(Carburetor Spacer)
868	590534	1	SEAL, Valve -Used Before Code Date 18070100
868	84001271	1	SEAL, Valve -Used After Code Date 18063000
875	590553	1	BASE, Air Cleaner -Used Before Code Date 16051600
875	595661	1	BASE-AIR CLEANER -Used After Code Date 16051500
875A	595662	1	BASE, Air Cleaner -Used After Code Date 16051500
875A	590557	1	BASE, Air Cleaner -Used Before Code Date 16051600
914	591103	3	SCREW -(Rocker Cover)
968	595658	1	COVER, Air Cleaner
971	590552	2	SCREW -(Air Cleaner Base to Carburetor/Throttle Body)
976	594281	1	PRIMER, Carburetor
1022	591255	1	GASKET, Rocker Cover
1023	595349	1	COVER, Rocker
1026	590515	2	ROD, Push
1029	590526	1	ARM, Rocker
1029A	590527	1	ARM, Rocker

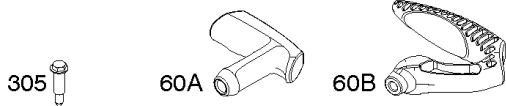
# Armature, Controls, Electrical System, Governor Spring, Ignition, Spark Plug

Mfg. No: 09P702-0001-B1

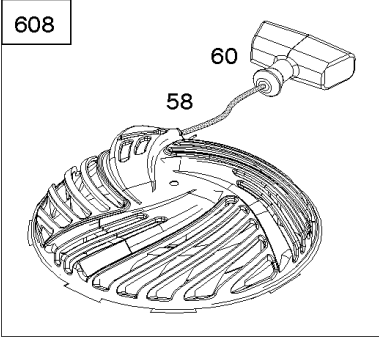


## ***Armature, Controls, Electrical System, Governor Spring, Ignition, Spark Plug***

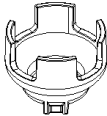
<b>REF NO</b>	<b>PART NO</b>	<b>QTY</b>	<b>DESCRIPTION</b>
188	793480	1	SCREW -(Control Bracket)
202	590517	1	LINK, Mechanical Governor
209	590541	1	SPRING, Governor
222	590560	1	BRACKET, Control
222A	596458	1	BRACKET, Control -Used After Code Date 17010100
222A	590561	1	BRACKET, Control -Used Before Code Date 17010200
222B	596465	1	BRACKET, Control
227	590520	1	LEVER, Governor Control
236	591292	1	LINK, Lockout
265	690798	1	CLAMP, Casing
265A	691024	1	CLAMP, Casing
267	692577	1	SCREW -(Casing Clamp)
268	691025	1	CASING, Control Wire -(Cut To Required Length)
269	691026	1	WIRE, Control -(Cut To Required Length)
270	691027	1	NUT -(Control Wire Casing)
271	691028	1	LEVER, Control
333	593872	1	ARMATURE, Magneto
334	691061	2	SCREW -(Magneto Armature)
337	692051	1	PLUG, Spark -(Resistor)
356	692390	1	WIRE, Stop
356A	592711	1	WIRE, Stop
383	19576S	1	WRENCH, Spark Plug
505	793515	1	NUT -(Governor Control Lever)
562	793514	1	BOLT -(Governor Lever)
621	692310	1	SWITCH, Stop
635	692076	1	BOOT, Spark Plug
745	691146	1	SCREW -(Brake)
745A	690859	1	SCREW -(Brake)
843	593215	1	SLEEVE, Lever
922	692135	1	SPRING, Brake
923	691487	1	BRAKE



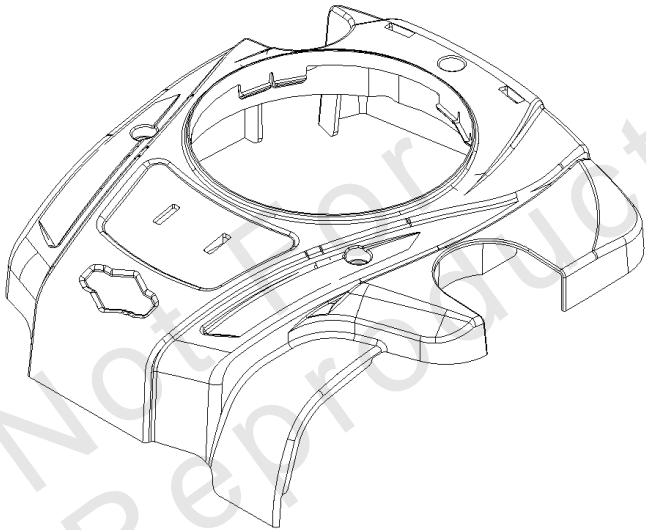
770D



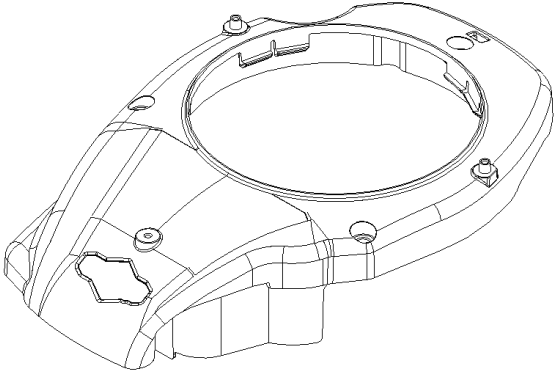
455A



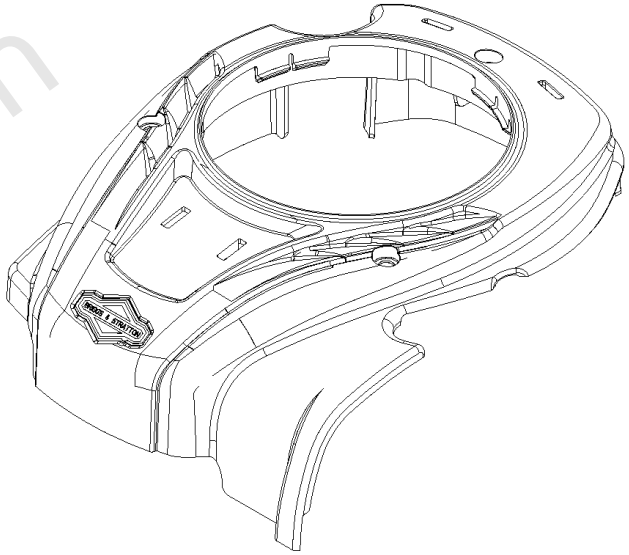
304



304A



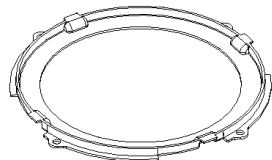
304D



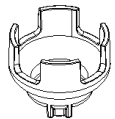
455



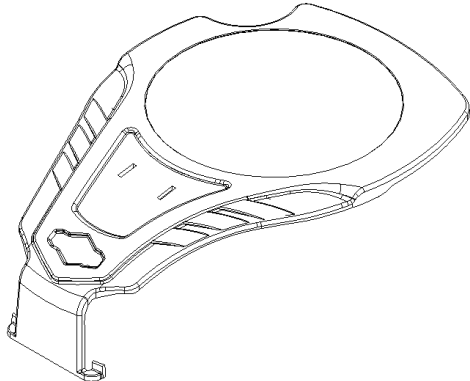
930



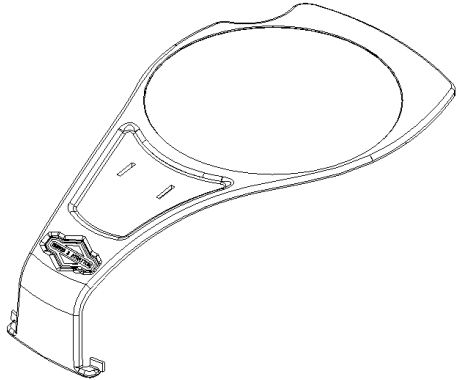
455A



857



857A



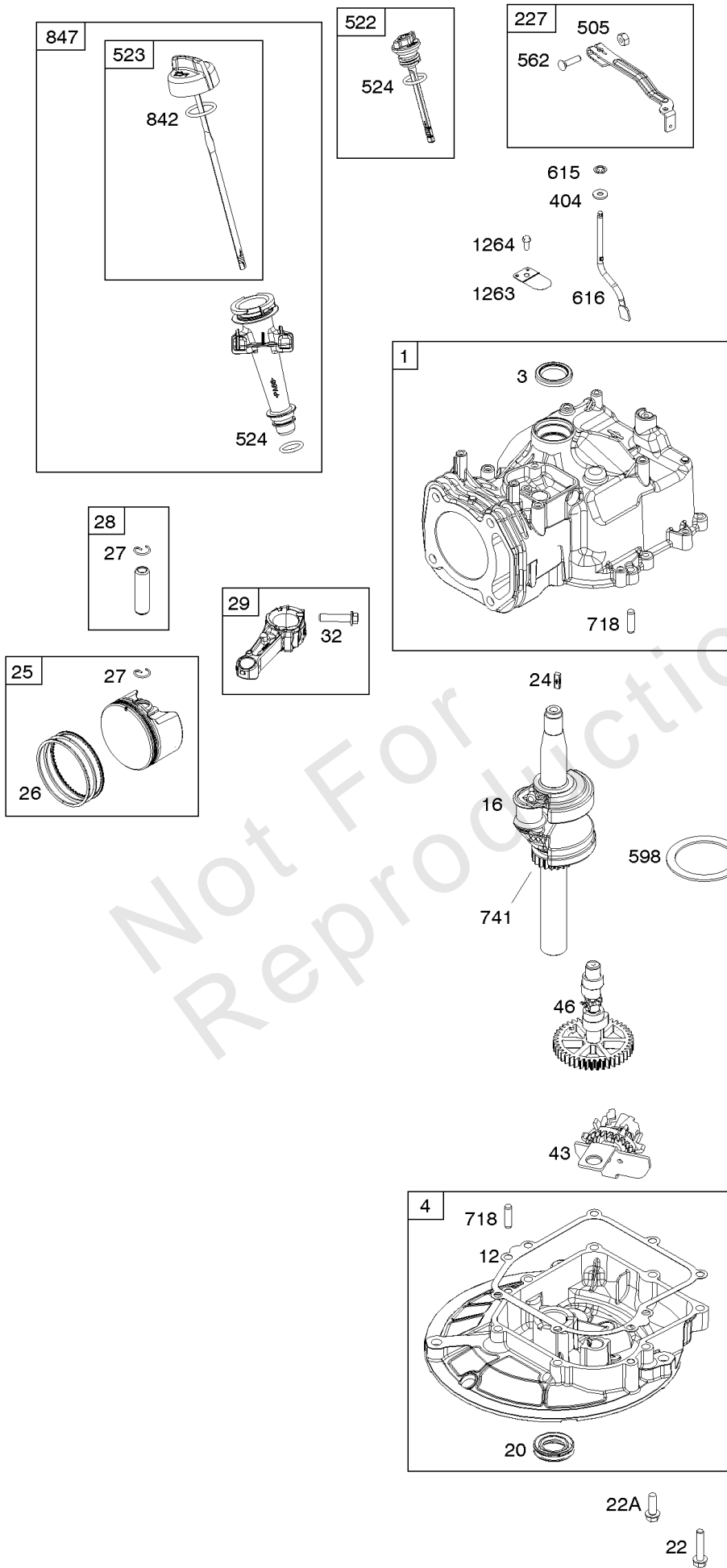


## Blower Housing, Rewind Starter

REF NO	PART NO	QTY	DESCRIPTION
58	591108	1	ROPE, Starter
60	691915	1	GRIP, Starter Rope
60A	281434S	1	GRIP, Starter Rope
60B	799716	1	GRIP, Starter Rope
304	593961	1	HOUSING, Blower
304A	593962	1	HOUSING, Blower
304D	596457	1	HOUSING, Blower
305	590586	3	SCREW -(Blower Housing)
455	590545	1	CUP, Flywheel -Used Before Code Date 14082500
455A	593960	1	CUP, Flywheel -(To Be Used With Reference 608) -Used After Code Date 14082400
608	593959	1	STARTER, Rewind -(To Be Used With Reference 455A) (Not To Be Used With Reference 455) -Used After Code Date 14082400
770D	595355	1	KIT, Rewind/Blower Housing
857	591113	1	TRIM, Blower Housing Cover
857A	591114	1	TRIM, Blower Housing Cover
930	590585	1	GUARD, Rewind -Used Before Code Date 15041300

# Camshaft, Crankshaft, Cylinder, Gasket Set, Piston/Rings/Connecting Rod, Sump,

Mfg. No: 09P702-0001-B1



1319 WARNING LABEL

**WARNING**

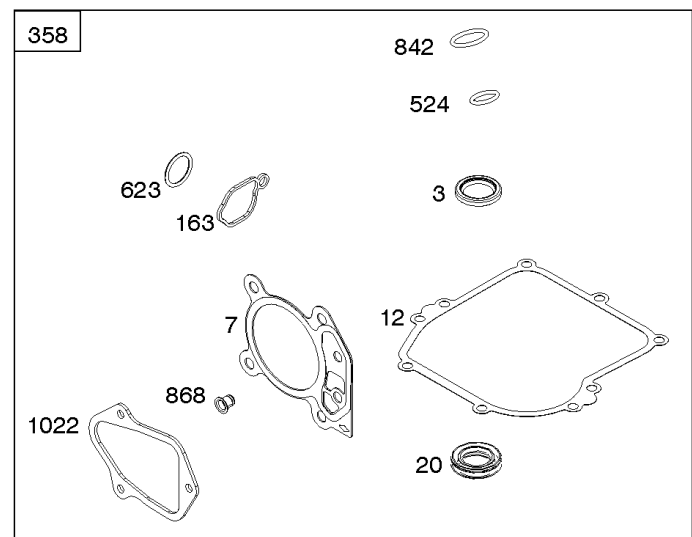
- Read and follow Operating Instructions before running engine.
- Gasoline is flammable. Allow engine to cool at least 2 minutes before refueling.
- Engines emit carbon monoxide, **DO NOT** run in enclosed area.
- Exhaust area temperature may exceed 150° F. Do not touch hot parts.

**REQUIRED** when replacing parts with warning labels affixed.

1319A WARNING LABEL

**REQUIRED** when replacing parts with warning labels affixed.

1036 EMISSIONS LABEL

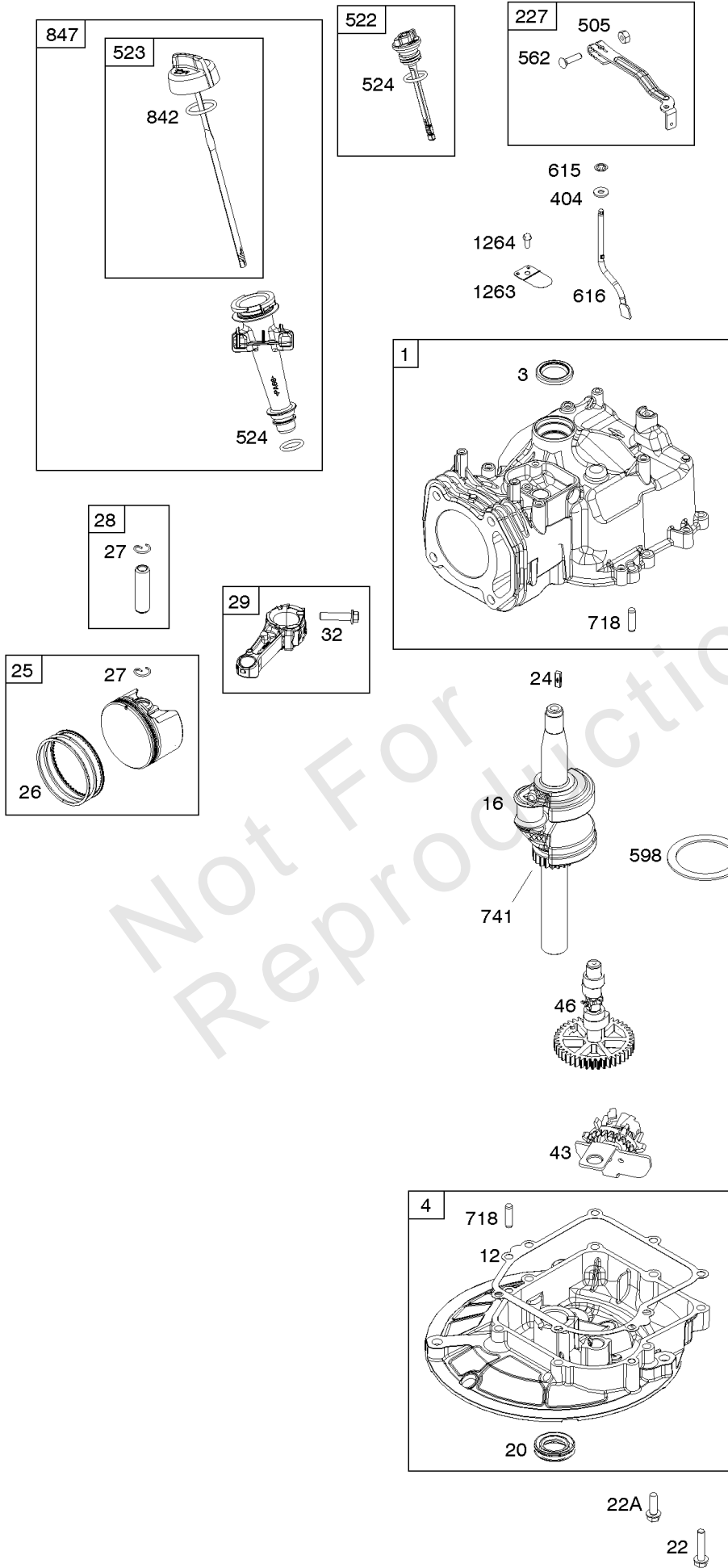


## Camshaft, Crankshaft, Cylinder, Gasket Set, Piston/Rings/Connecting Rod, Sump,

REF NO	PART NO	QTY	DESCRIPTION
1	590519	1	CYLINDER ASSEMBLY
3	299819S	1	SEAL, Oil -(Magneto Side)
4	590569	1	SUMP, Engine
7	799586	1	GASKET, Cylinder Head
12	799587	1	GASKET, Crankcase
16	590538	1	CRANKSHAFT
20	391483S	1	SEAL, Oil -(PTO Side)
22	692551	6	SCREW -(Crankcase Cover/Sump)
22A	590763	1	SCREW -(Crankcase Cover/Sump)
24	222698S	1	KEY, Flywheel
25	590521	1	PISTON ASSEMBLY -(Standard)
26	590523	1	SET, Ring -(Standard)
27	691588	1	LOCK, Piston Pin
28	699659	1	PIN, Piston -(Standard)
29	590518	1	ROD, Connecting
32	691664	2	SCREW -(Connecting Rod)
43	697799	1	SLINGER, Governor/Oil -Used Before Code Date 16071100
43	594560	1	SLINGER, Governor/Oil -Used After Code Date 16071000
46	592968	1	CAMSHAFT
163	799580	1	GASKET, Air Cleaner -(Air Cleaner)
227	590520	1	LEVER, Governor Control
358	595350	1	GASKET SET, Engine -(Service Kits may include extra parts not specific to this engine.) -Used Before Code Date 18070100
358	84001272	1	GASKET SET, Engine -(Service Kits may include extra parts not specific to this engine.) -Used After Code Date 18063000
404	690272	1	WASHER -(Governor Crank)
505	793515	1	NUT -(Governor Control Lever)
522	590580	1	PLUG, Dipstick/Fill
523	796503	1	DIPSTICK
524	691876	1	SEAL, O-Ring
562	793514	1	BOLT -(Governor Lever)
598	593291	1	SHIM, End Play -(Crankshaft or Camshaft Bearing)
615	690340	1	RETAINER, Governor Shaft
616	590516	1	CRANK, Governor
623	799581	1	SEAL, O-Ring -(Carburetor Spacer)
718	690959	2	PIN, Locating -(Crankcase Cover/Sump)
741	796210	1	GEAR, Timing -(Plastic)
842	691031	1	SEAL, O-Ring -(Dipstick Tube)

# Camshaft, Crankshaft, Cylinder, Gasket Set, Piston/Rings/Connecting Rod, Sump,

Mfg. No: 09P702-0001-B1



1319 WARNING LABEL

**WARNING**

Read and follow Operating instructions before running engine.

Gasoline is flammable. Allow engine to cool at least 2 minutes before refueling.

Engines emit carbon monoxide, **DO NOT** run in enclosed area.

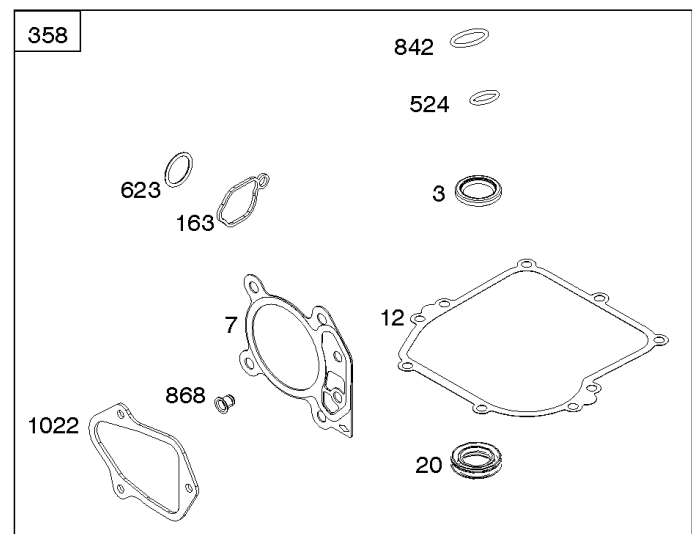
Exhaust area temperature may exceed 150° F. Do not touch hot parts.

**REQUIRED** when replacing parts with warning labels affixed.

1319A WARNING LABEL

**REQUIRED** when replacing parts with warning labels affixed.

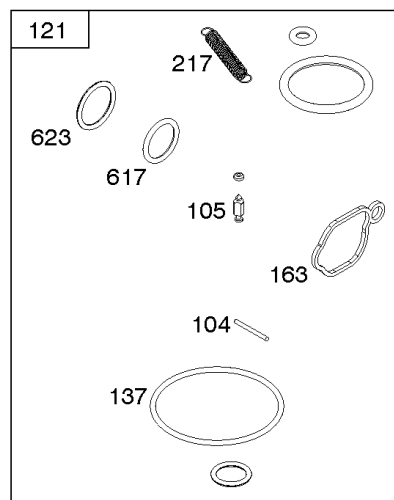
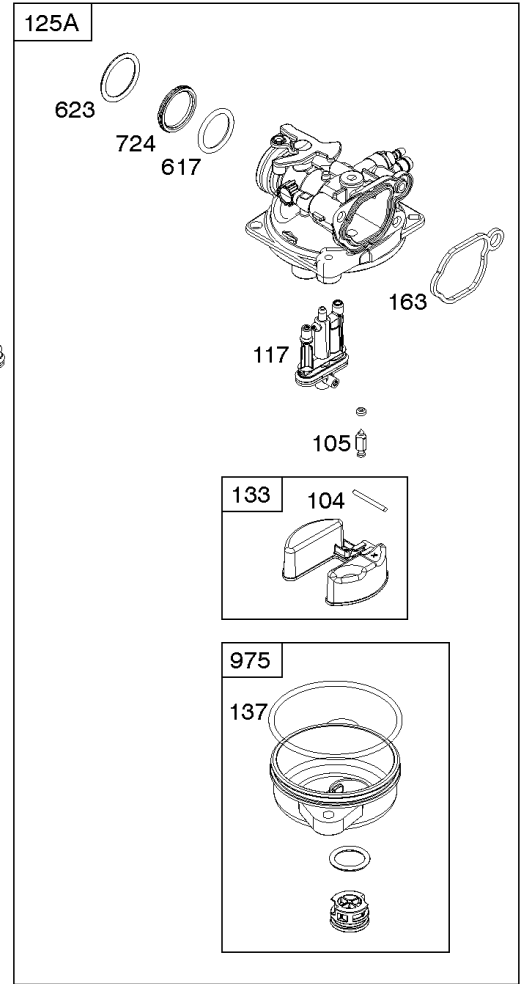
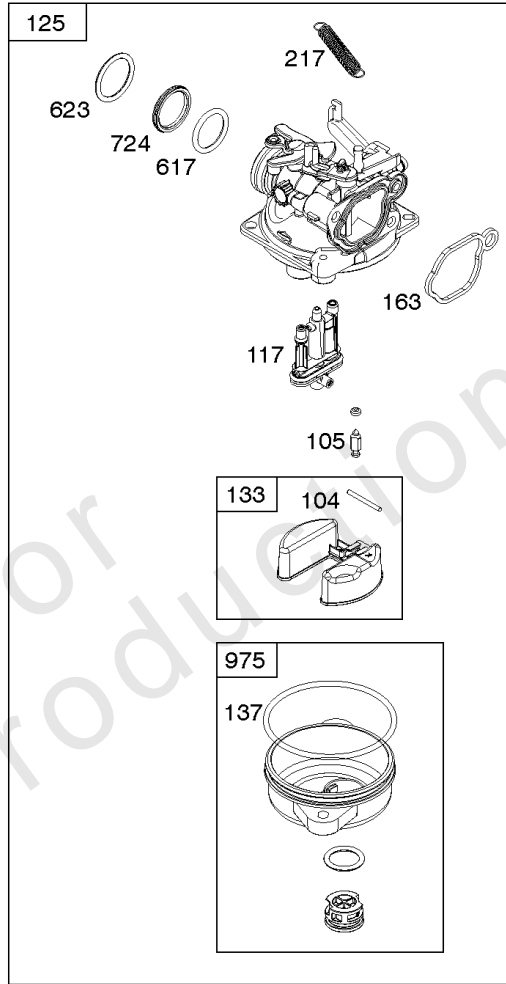
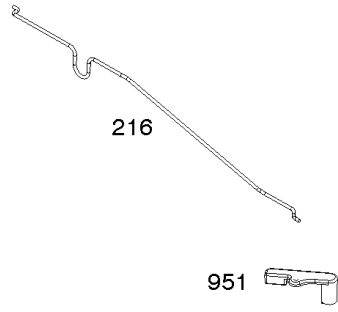
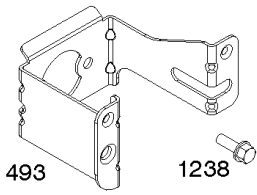
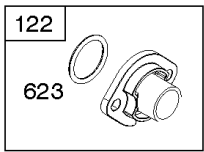
1036 EMISSIONS LABEL



**Camshaft, Crankshaft, Cylinder, Gasket Set, Piston/Rings/Connecting Rod, Sump,**

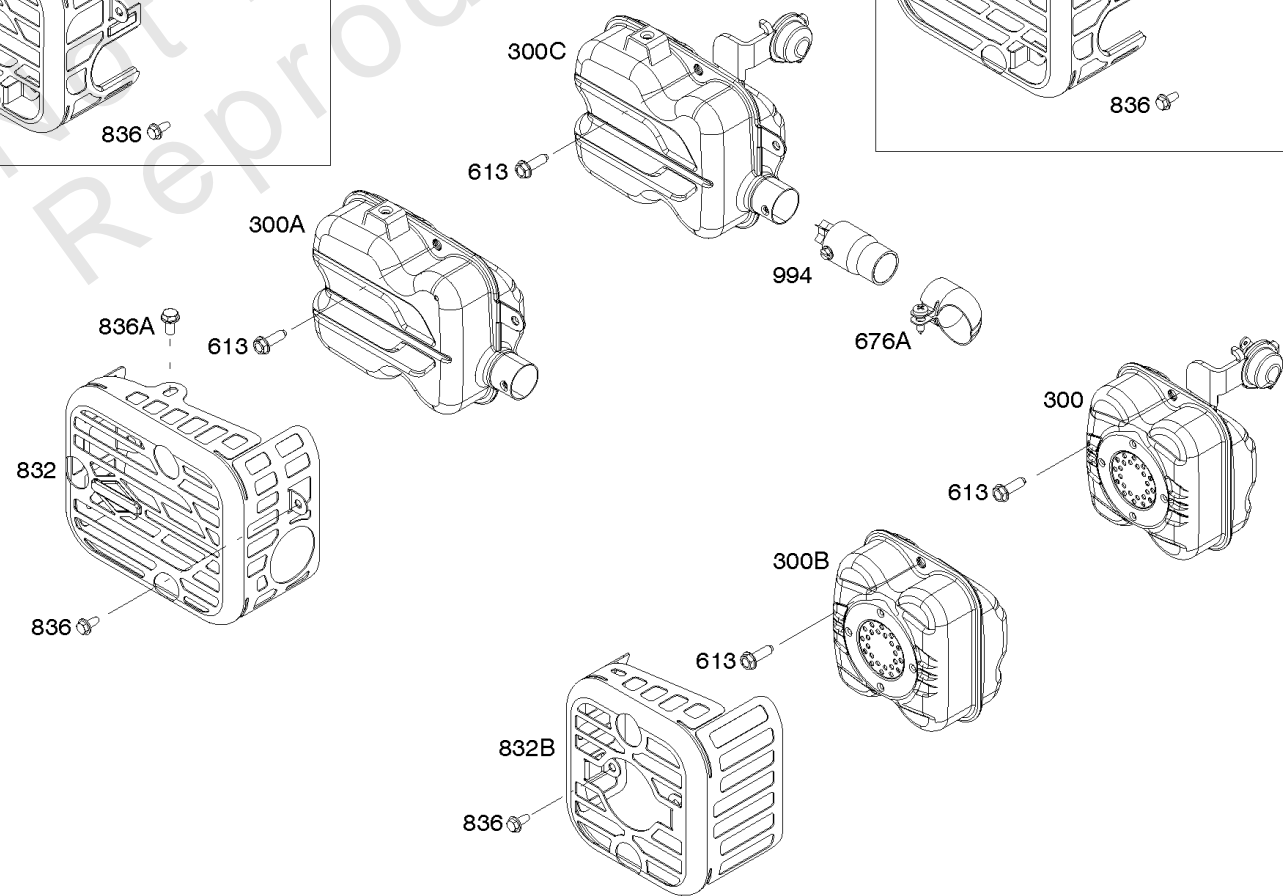
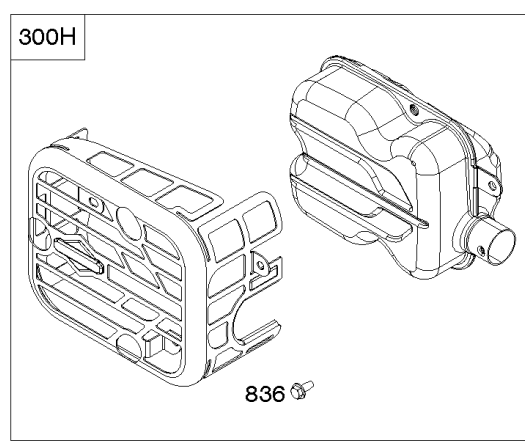
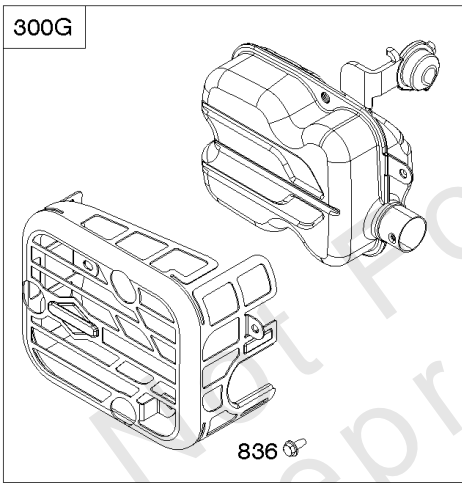
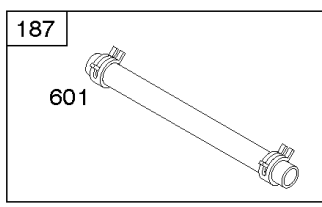
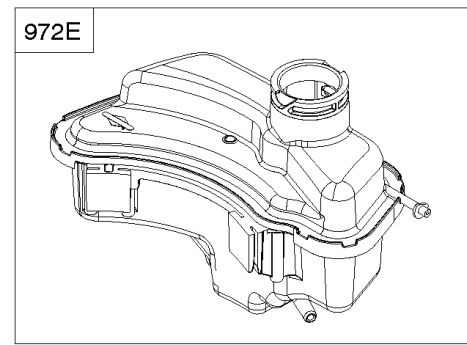
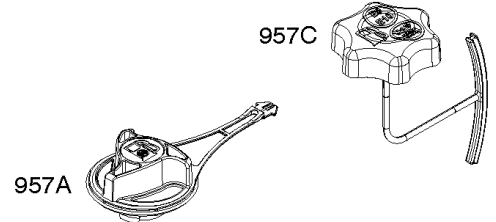
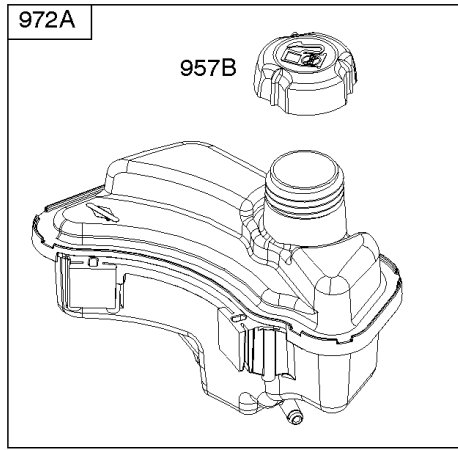
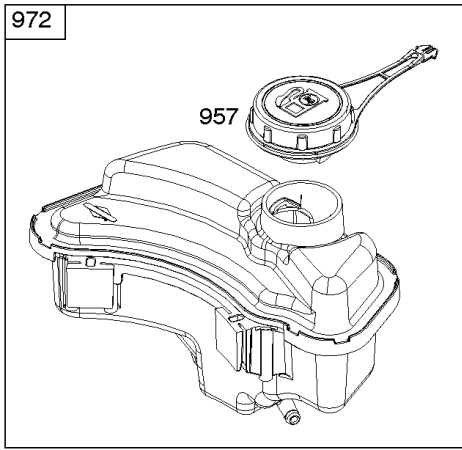
REF NO	PART NO	QTY	DESCRIPTION
847	590572	1	DIPSTICK/TUBE ASSEMBLY
868	590534	1	SEAL, Valve -Used Before Code Date 18070100
868	84001271	1	SEAL, Valve -Used After Code Date 18063000
1022	591255	1	GASKET, Rocker Cover
1036	-----	1	Label-Emissions -(Available From A Briggs & Stratton Authorized Dealer)
1263	697124	1	REED, Breather
1264	793453	1	SCREW -(Breather Reed)
1319	794467	1	LABEL, Warning
1319A	797669	1	LABEL, Warning

Not For Reproduction



## Carburetor

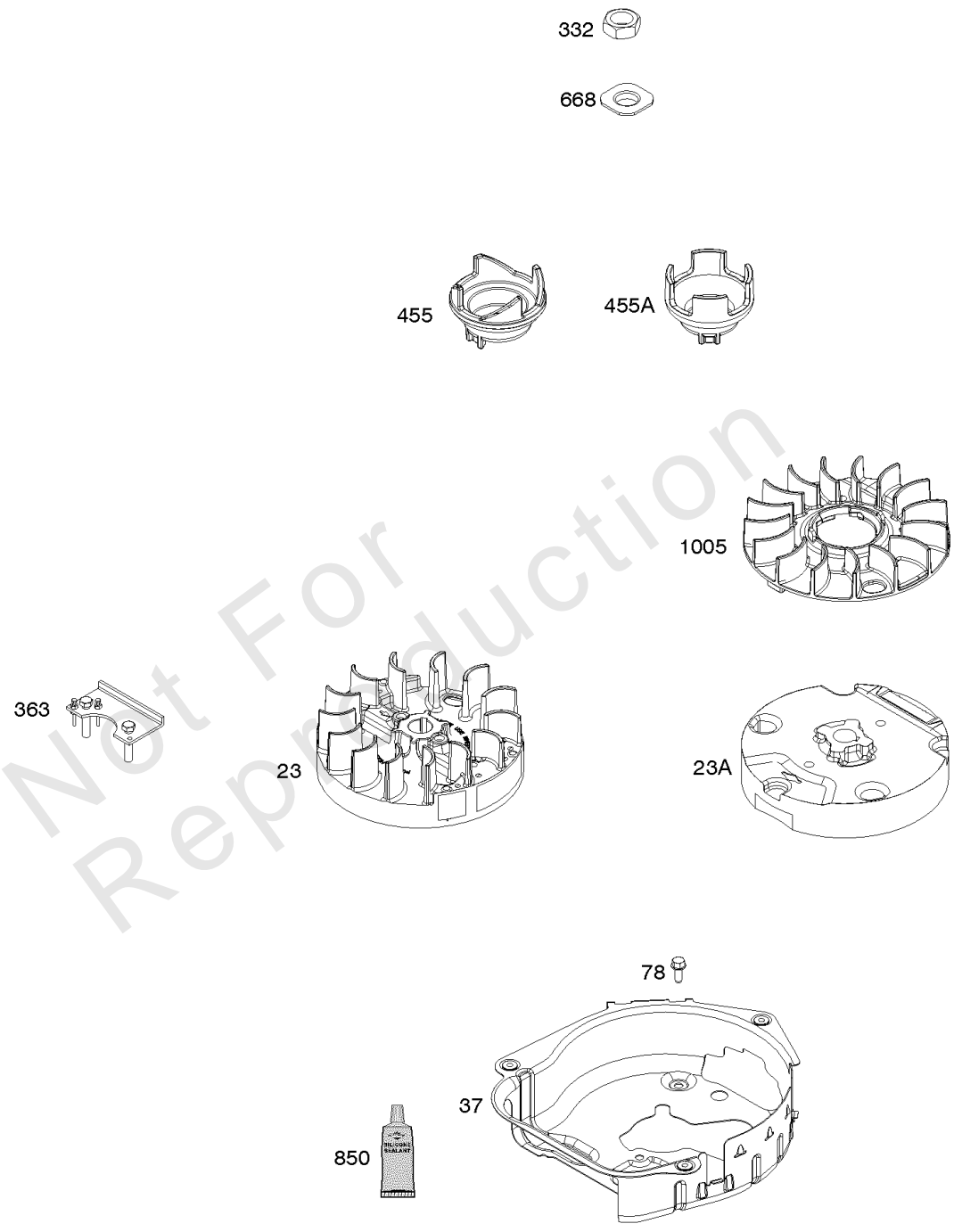
REF NO	PART NO	QTY	DESCRIPTION
104	590558	1	PIN, Float Hinge
105	594581	1	VALVE, Float Needle
117	592792	1	JET, Main -(Standard) -Used Before Code Date 18070100
117	84002108	1	JET, Main -(Standard) -Used After Code Date 18063000
118	592684	1	JET, Main -(High Altitude) -Used Before Code Date 18070100
118	84002109	1	JET, Main -(High Altitude) -Used After Code Date 18063000
121	590589	1	KIT, Carburetor Overhaul -Used Before Code Date 15030900
121	594636	1	KIT, Carburetor Overhaul -Used After Code Date 15030800
122	590549	1	SPACER, Carburetor
125	799584	1	CARBURETOR -Used Before Code Date 18070100
125	84002107	1	CARBURETOR -Used After Code Date 18063000
133	591120	1	FLOAT, Carburetor
137	593235	1	GASKET, Float Bowl -(Pack of 5) -Used Before Code Date 15030900
137	594633	1	GASKET, Float Bowl -(Pack of 5) -Used After Code Date 15030800
163	799580	1	GASKET, Air Cleaner -(Air Cleaner)
216	590547	1	LINK, Choke
217	590740	1	SPRING, Choke Return
493	593330	1	BRACKET, Mounting -(Carburetor)
617	270344S	1	SEAL, O-Ring -(Intake Manifold)
623	799581	1	SEAL, O-Ring -(Carburetor Spacer)
724	697478	1	RETAINER, Seal
951	591104	1	LEVER, Choke
975	591492	1	BOWL, Float -Used Before Code Date 15030900
975	594632	1	BOWL, Float -Used After Code Date 15030800
1127	590554	2	SCREW -(Float Bowl to Carburetor Body)
1238	590562	2	SCREW -(Carburetor Spacer)





## Exhaust System, Fuel Supply

REF NO	PART NO	QTY	DESCRIPTION
187	791766	1	LINE, Fuel -(Cut To Required Length)
300B	590565	1	MUFFLER
300C	592362	1	MUFFLER -Used Before Code Date 16012800
300G	595516	1	MUFFLER -Used After Code Date 16012700
601	791850	2	CLAMP, Hose
613	590562	2	SCREW -(Muffler)
676A	799187	1	DEFLECTOR, Muffler
832	590566	1	GUARD, Muffler
832B	592709	1	GUARD, Muffler
836	690661	3	SCREW -(Muffler Guard)
836A	793500	3	SCREW -(Muffler Guard)
957	799585	1	CAP, Fuel Tank -(Black) -Used Before Code Date 16100300
957A	-----	1	Cap-Fuel Tank -(Order Replacement Fuel Tank Cap Reference Number 957)
957B	692046	1	CAP, Fuel Tank
957C	596250	1	CAP, Fuel Tank
972A	591947	1	TANK, Fuel
994	690813	1	ARRESTOR, Spark



## Flywheel

REF NO	PART NO	QTY	DESCRIPTION
23	590544	1	FLYWHEEL
23A	592005	1	FLYWHEEL
37	594729	1	GUARD, Flywheel
78	793480	5	SCREW -(Flywheel Guard)
332	690662	1	NUT -(Flywheel)
363	19619	1	PULLER, Flywheel
455	590545	1	CUP, Flywheel -Used Before Code Date 14082500
455A	593960	1	CUP, Flywheel -(To Be Used With Reference 608) -Used After Code Date 14082400
668	590546	1	SPACER -(Flywheel)
850	100106	1	SEALANT, Liquid
1005	592050	1	FAN, Flywheel

Not For Reproduction

**Replacement Engine - US & Canada**

---

REF NO	PART NO	QTY	DESCRIPTION
	9P7020045	1	Replacement Engine

---

Not For Reproduction

