

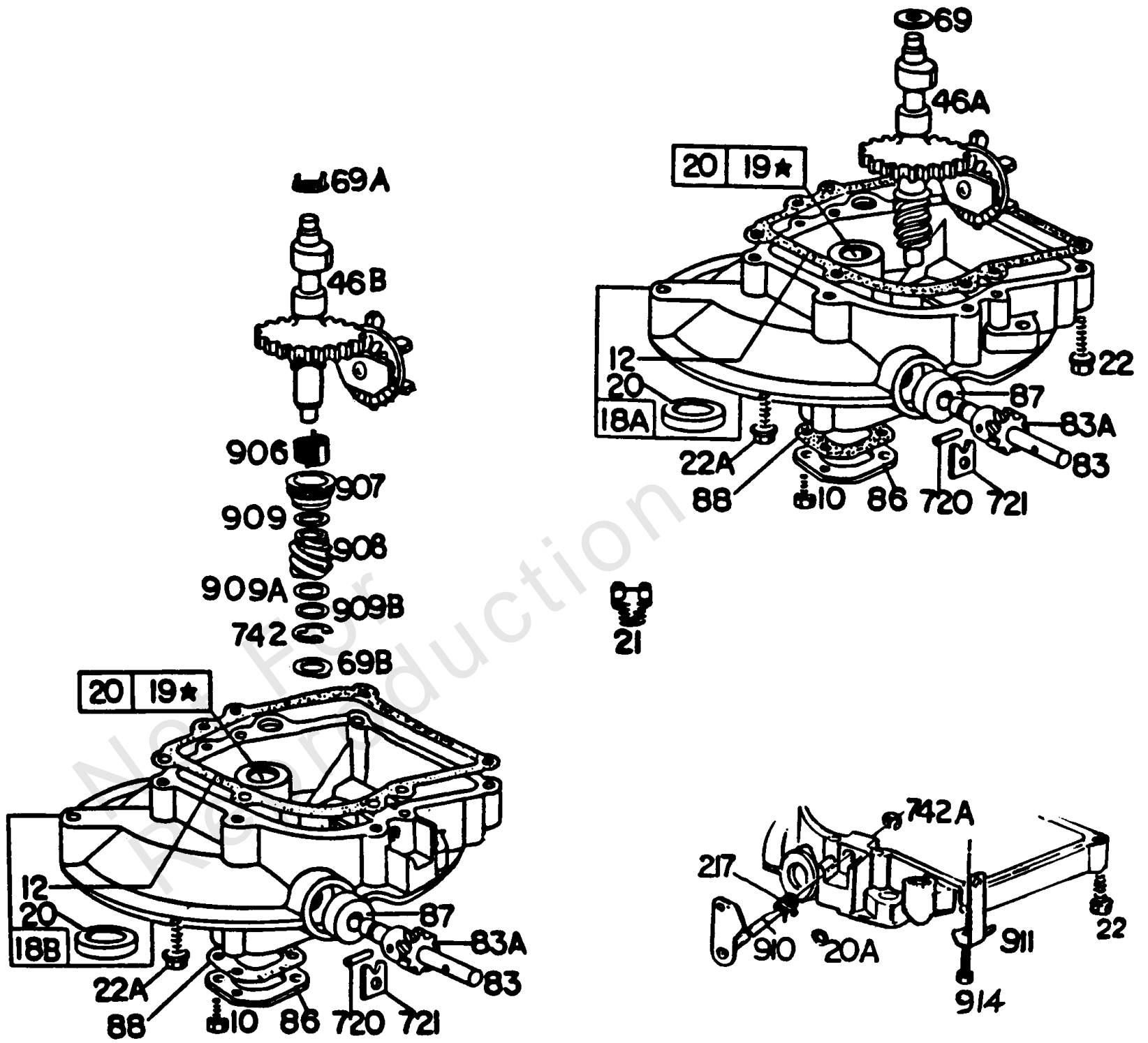


Parts Manual

Mfg. No: 094908-0159-99

Model Components	Page
(2) Sump Base Assembles.....	4
Blower Hsg, Vert. Pull, A/C.....	6
Carb Assy(MetalNeedleValve).....	8
Carb Assy(NylonNeedleValve).....	12
Cyl, Mufflers, Piston, Sump.....	16
Replacement Engine - US & Canada.....	22

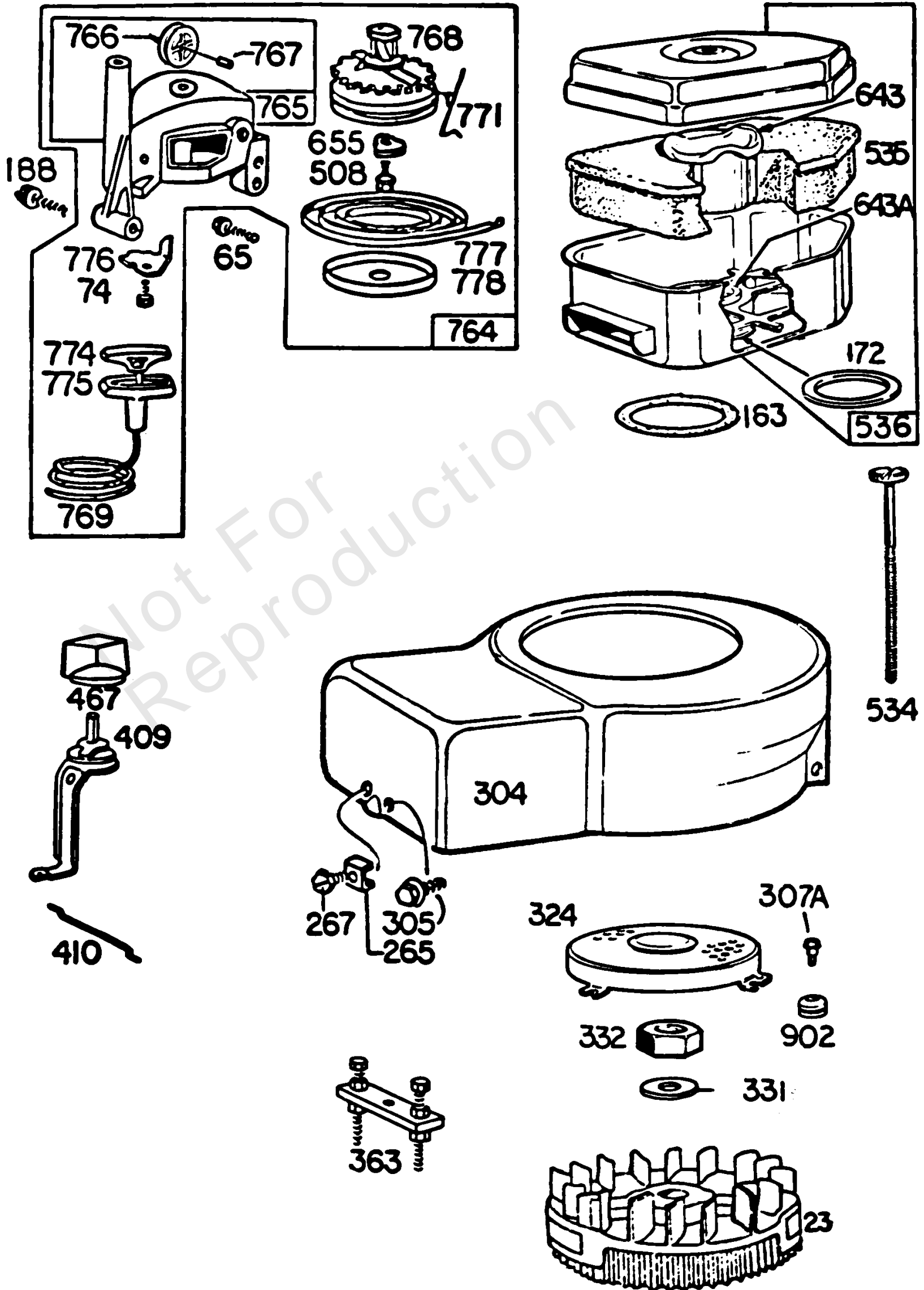
Not For
Reproduction



★NOTE-SPECIAL TOOLS REQUIRED FOR INSTALLING
SEE REPAIR INSTRUCTION MANUAL

(2) Sump Base Assemblies

REF NO	PART NO	QTY	DESCRIPTION
10	93394		SCREW
12	270833		GASKET, Crankcase -(.015) Included in Gasket Set-Part No. 298989
12	270895		GASKET, Crankcase -(.005) Included in Gasket Set-Part No. 298989
12	270896		GASKET, Crankcase -(.009) Included in Gasket Set-Part No. 298989
18B	394746		SUMP, Engine -(Clutch)
18A	391645		SUMP, Engine
19	293709		KIT, Bushing/Seal -(PTO Side)
20	391483		SEAL, Oil -(PTO Side)
21	66768		PLUG, Oil
22A	93415		SCREW -(1/4-20 X 3/4) Use 93032 Screw in the other (5) Sump mounting holes on Clutch Type. Use (4) 93032 Screws with Ref. 914 Screw.
22	93032		SCREW -(Fuel Tank) (Tank)
46A	394333		CAMSHAFT
46B	394053		CAMSHAFT -(Clutch)
69B	223228		WASHER, Thrust
69A	223225		WASHER
69	66718		WASHER -(1-1/16 O.D. X 17/32 I.D.) (1 1/16 O.D. X 17/32 I.D.)
83A	230856		GEAR, Drive -Used Before Code Date 80111700
83A	231279		GEAR, Drive -(Counterclockwise)
83A	231278		GEAR, Drive -(Clockwise)
83	230831		SHAFT, Auxiliary Drive
86	221780		COVER, Drive Gear
87	391484		SEAL, Oil -(1/2 Auxiliary Drive Shaft)
88	270238		GASKET, Drive Gear Cover -Included in Gasket Set-Part No. 298989
217	261520		SPRING, Return -(Clutch Lever)
720	93474		PIN, Shaft
721	221779		STOP, Shaft
742A	93925		RETAINER -(Clutch Lever)
742	93525		RETAINER, E Ring
906	261650		SPRING, Torsion
907	394871		SLEEVE, Clutch
908	231220		GEAR, Worm
909B	271312		WASHER, Thrust
909A	271418		WASHER, Thrust
909	271417		WASHER, Thrust
910	394051		LEVER, Control -(Clutch)
911	223009		BRACKET, Clutch
914	93970		SCREW



Blower Hsg, Vert. Pull, A/C

REF NO	PART NO	QTY	DESCRIPTION
23	394032		FLYWHEEL -(Vertical Pull Starter)
65	93587		SCREW -(1/4-20 X 1)
74	93490		SCREW -(Rotating Screen)
163	271139		GASKET, Air Cleaner -(Above Spacer)
172	271273		GASKET, Air Cleaner -(Air Cleaner)
188	93585		SCREW -(Crankcase Cover)
265	22372		CLAMP, Casing
267	93469		SCREW
304	394249		HOUSING, Blower -(Vertical Pull Starter And Dial-trol)
305	93559		SCREW -(Tank) (Fuel Tank)
307A	93926		SCREW
324	223006		SCREEN, Rotating
331	220865		WASHER -(Heavy Flywheel)
332	92284		NUT -(Flywheel)
363	19069		PULLER, Flywheel
409	299839		CONTROL, Speed
410	260993		LINK, Control
467	299858		KNOB, Control
508	93158		SCREW -(1/4-20 X 5/8)
534	93865		SCREW -(Air Cleaner)
535	270579		FILTER, Air Cleaner Foam -(2-slanted Sides)
536	394214		CLEANER, Air
643A	280268		SUPPORT, Foam Element
643	222991		CUP, Air Cleaner
655	222057		ANCHOR, Spring
764	391486		STARTER, Vertical Rewind -(48-5/8)
765	299947		HOUSING, Vertical Starter
766	280022		PULLEY, Rope Guide
767	231048		PIN, Retainer -(7/16)
768	299948		PULLEY, Vertical Starter
769	66734		ROPE, Starter -(48-5/8)
771	299961		CLIP -(Vertical Pull Starter)
774	280121		INSERT, Grip
775	280036		GRIP, Starter Rope
776	222049		GUIDE, Rope
777	390066		SPRING, Vertical Rewind Starter
778	280021		COVER, Vertical Pulley
902	280271		GROMMET

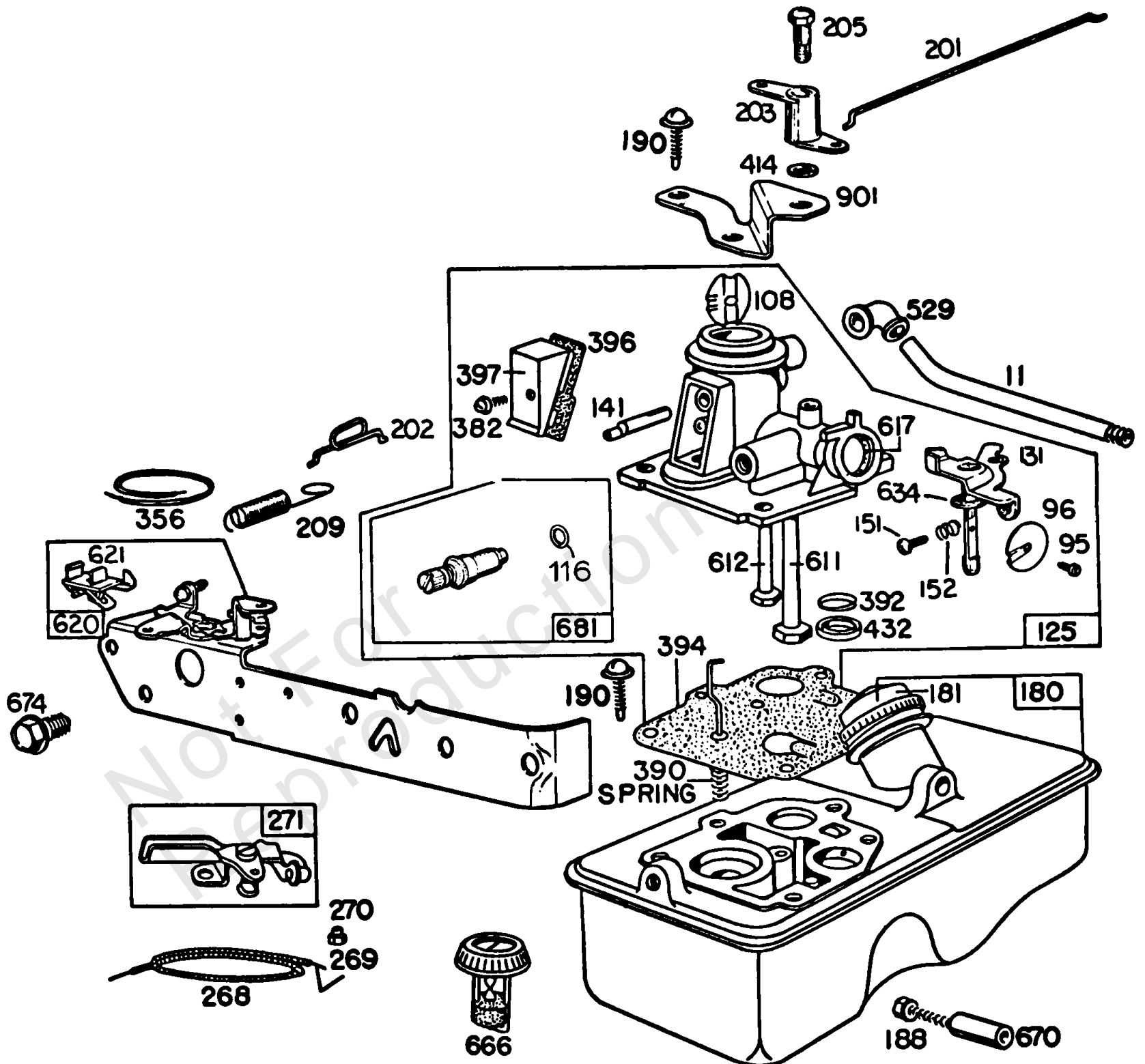
Carb Assy(MetalNeedleValve)

REF NO	PART NO	QTY	DESCRIPTION
11	230802		TUBE, Breather
95	93499		SCREW -(Throttle Valve)
96	211237		VALVE, Throttle
108	280178		VALVE, Choke
114	66594		WASHER, Sealing -(Needle Valve)
116A	65978		SEAL, O-Ring -(Needle Valve)
117	230590		NUT
118	23433		VALVE, Float Needle
125A	394161		CARBURETOR
131	394035		SHAFT, Throttle -(Mechanical Governor)
141	68908		SHAFT, Choke
147	230591		SEAT, Needle Valve
148	22235		WASHER
149	26336		SPRING, Needle Valve
151	93524		SCREW -(5-40 X 1/2)
152	260746		SPRING, Throttle Return
180	391694		TANK, Fuel
181	298425		CAP, Fuel Tank -(Metal)
188	93585		SCREW -(Crankcase Cover)
190	93440		SCREW
201	261539		LINK, Choke
202	261541		LINK, Throttle
203	280272		CRANK, Bell -(Mechanical Governor)
205	93838		SCREW -(6-32)
209	261542		SPRING, Governor -(3000 to 3200 RPM Top Speed Set-No Load)
268	66986		CASING, Control Wire -(Cut To Required Length)
269	26099		WIRE, Control -(Cut To Required Length) If longer wire is needed, specify length in inches; if shorter wire is needed, order No. 26099 and cut to required length.
270	63426		NUT -(Control Wire Casing)
271	290568		LEVER, Control
356	298479		WIRE, Stop
382	93545		SCREW
390	261015		SPRING, Diaphragm
392	260455		SPRING, Pump Diaphragm
394	391681		DIAPHRAGM, Carburetor
396	270571		GASKET, Choke Cover
397	211678		COVER, Choke Link
414	220982		WASHER
432	221377		CAP, Spring
529	67838		GROMMET
611	297219		TUBE, Pick Up -(2 5/8)

Carb Assy(MetalNeedleValve)

REF NO	PART NO	QTY	DESCRIPTION
612	296811		TUBE, Pick Up
617	270344		SEAL, O-Ring -(Intake Manifold)
620	394056		BRACKET, Control -(Remote Control)
621	297472		SWITCH, Stop
634	270167		SEAL, Choke/Throttle Shaft -(Felt)
666	299992		GAUGE, Fuel
670	93912		SPACER, Fuel Tank
674	93559		SCREW -(Tank) (Fuel Tank)
681A	299060		VALVE, High Speed -(Threaded)
901	223004		BRACKET, Link

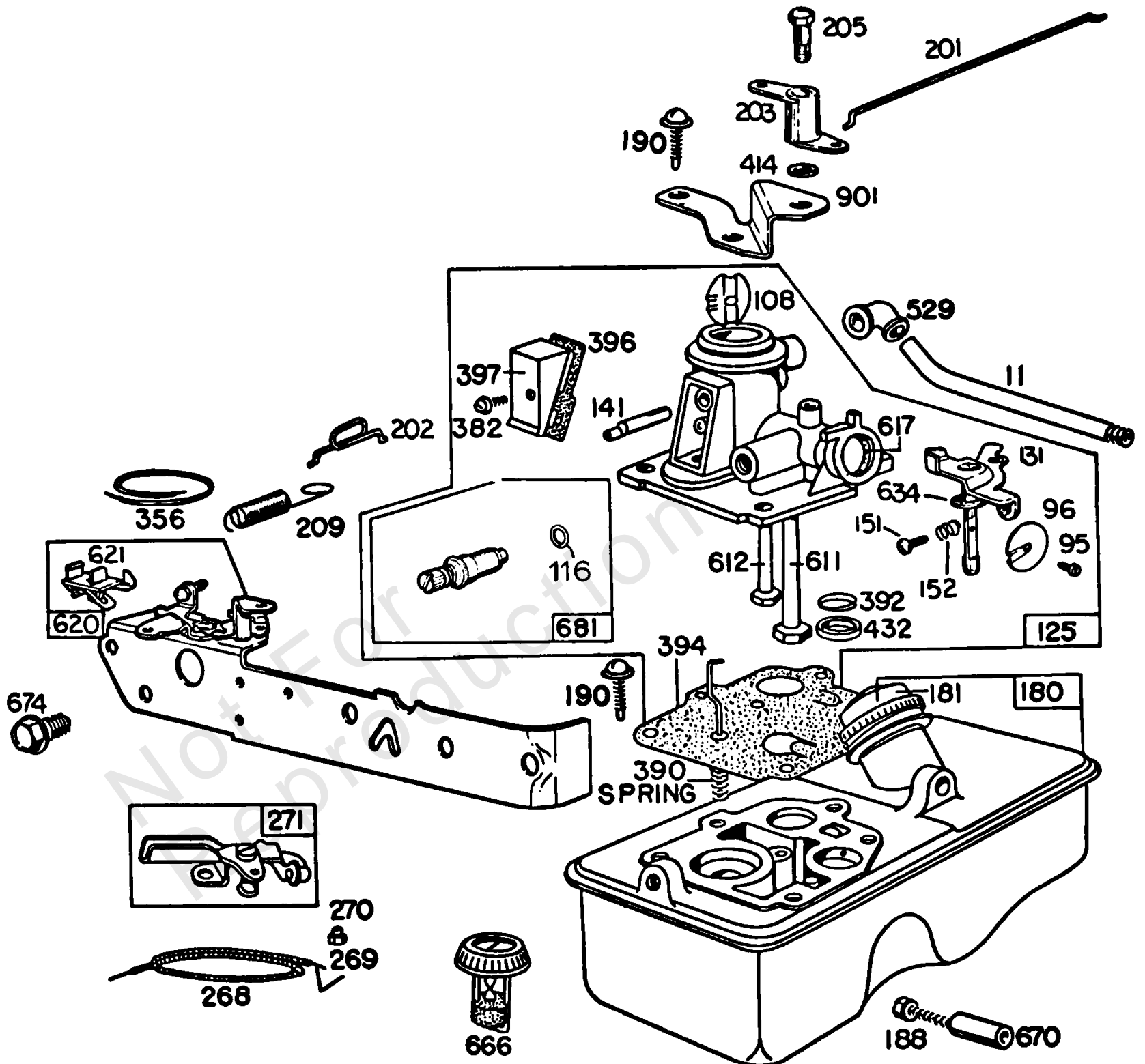
Not For Reproduction



NYLON NEEDLE VALVE ASSY. (REF 681)

Carb Assy(NylonNeedleValve)

REF NO	PART NO	QTY	DESCRIPTION
11	230802		TUBE, Breather
95	93499		SCREW -(Throttle Valve)
96	211237		VALVE, Throttle
108	280178		VALVE, Choke
116	280203		SEAL, O-Ring -(Fuel Shut Off)
125	394467		CARBURETOR
131	394035		SHAFT, Throttle -(Mechanical Governor)
141	68908		SHAFT, Choke
151	93524		SCREW -(5-40 X 1/2)
152	260746		SPRING, Throttle Return
180	391694		TANK, Fuel
181	298425		CAP, Fuel Tank -(Metal)
188	93585		SCREW -(Crankcase Cover)
190	93440		SCREW
201	261539		LINK, Choke
202	261541		LINK, Throttle
203	280272		CRANK, Bell -(Mechanical Governor)
205	93838		SCREW -(6-32)
209	261542		SPRING, Governor -(3000 to 3200 RPM Top Speed Set-No Load)
268	66986		CASING, Control Wire -(Cut To Required Length)
269	26099		WIRE, Control -(Cut To Required Length) If longer wire is needed, specify length in inches; if shorter wire is needed, order No. 26099 and cut to required length.
270	63426		NUT -(Control Wire Casing)
271	290568		LEVER, Control
356	298479		WIRE, Stop
382	93545		SCREW
390	261015		SPRING, Diaphragm
392	260455		SPRING, Pump Diaphragm
394	391681		DIAPHRAGM, Carburetor
396	270571		GASKET, Choke Cover
397	211678		COVER, Choke Link
414	220982		WASHER
432	221377		CAP, Spring
529	67838		GROMMET
611	297219		TUBE, Pick Up -(2 5/8)
612	296811		TUBE, Pick Up
617	270344		SEAL, O-Ring -(Intake Manifold)
620	394056		BRACKET, Control -(Remote Control)
621	297472		SWITCH, Stop
634	270167		SEAL, Choke/Throttle Shaft -(Felt)

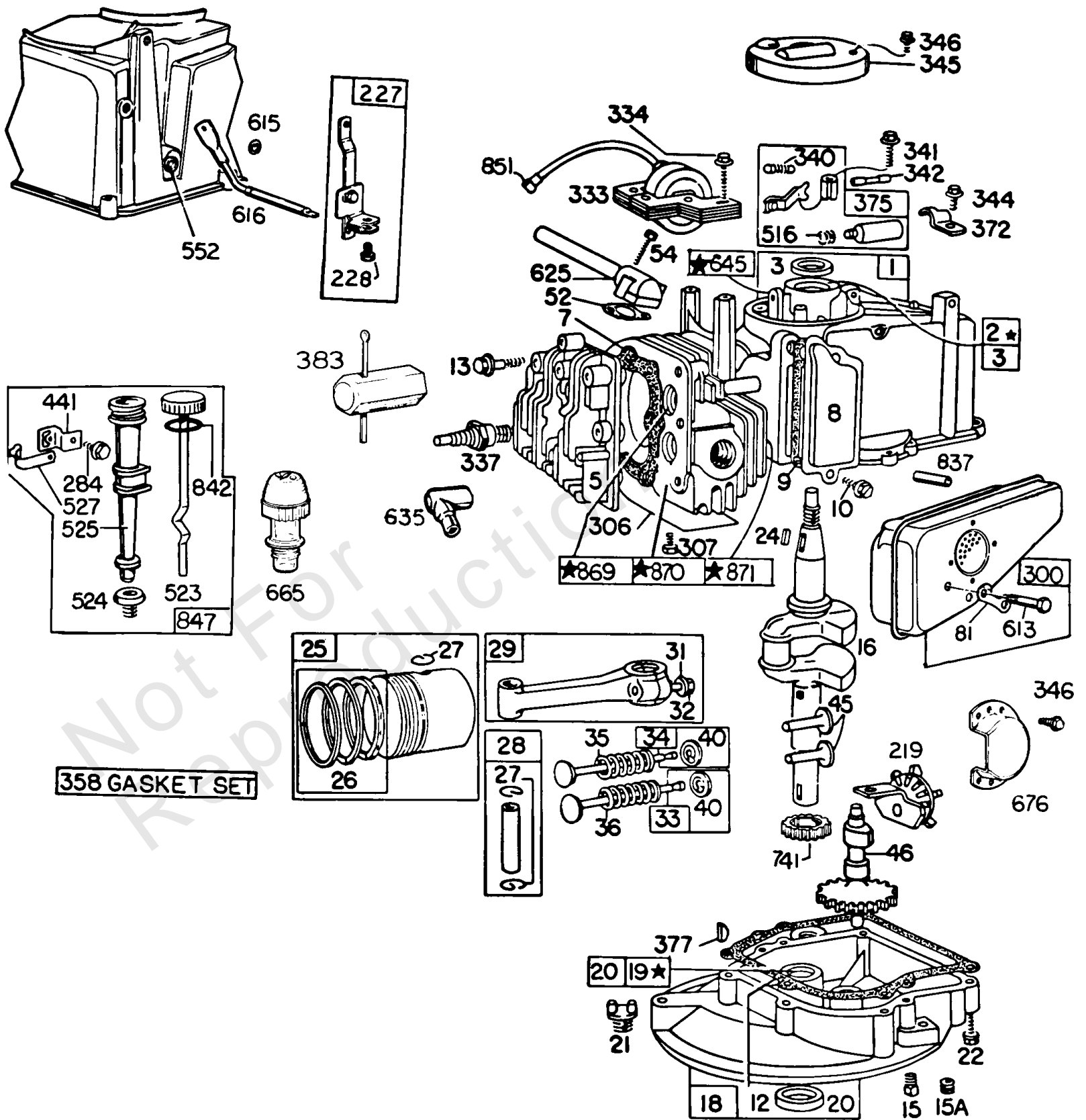


NYLON NEEDLE VALVE ASSY. (REF 681)

Carb Assy(NylonNeedleValve)

REF NO	PART NO	QTY	DESCRIPTION
666	299992		GAUGE, Fuel
670	93912		SPACER, Fuel Tank
674	93559		SCREW -(Tank) (Fuel Tank)
681	393451		KIT, Needle Valve -(Plastic Body)
901	223004		BRACKET, Link

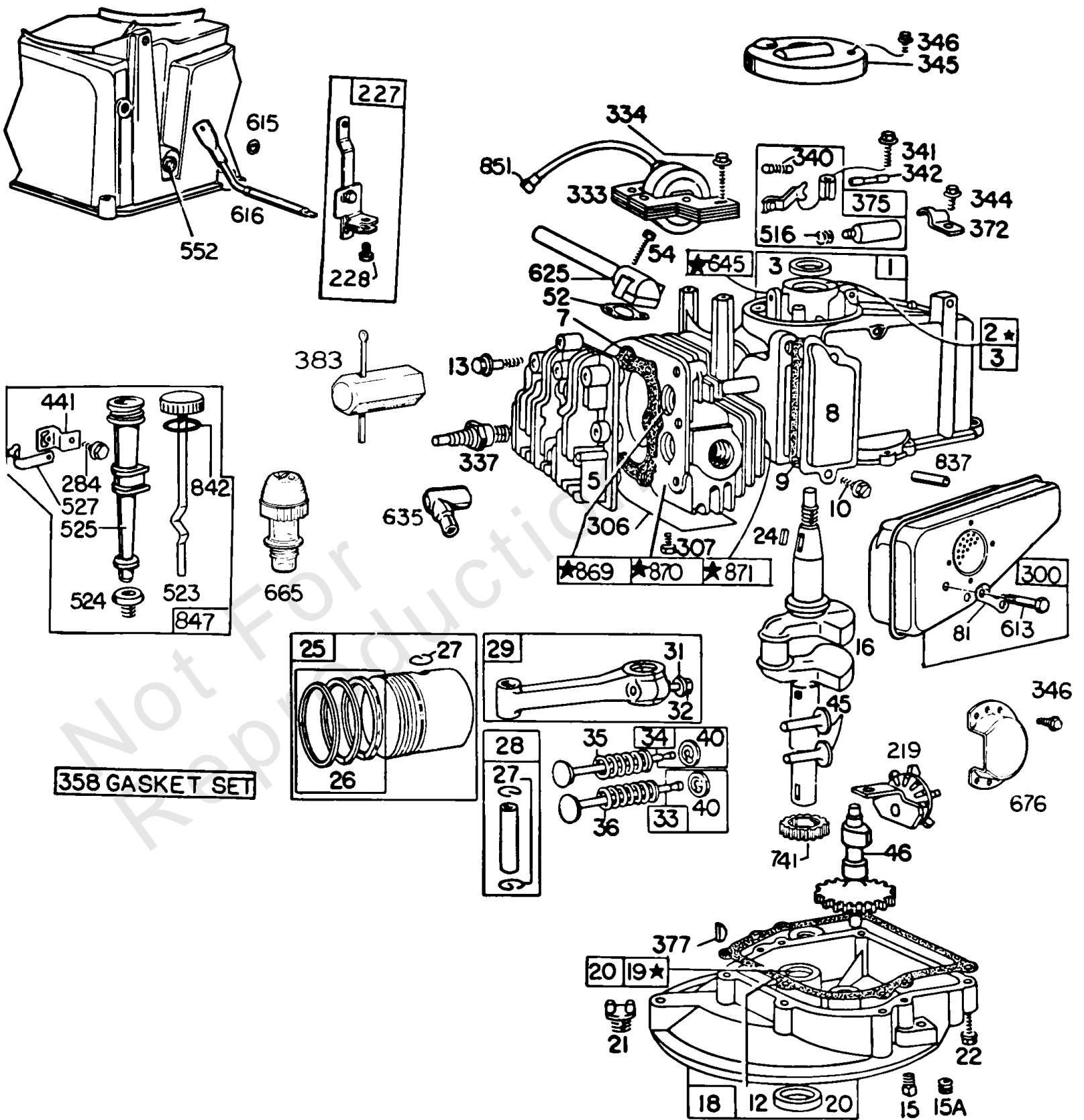
Not For Reproduction



★ Special tools required to install.
See repair instruction manual

Cyl, Mufflers, Piston, Sump

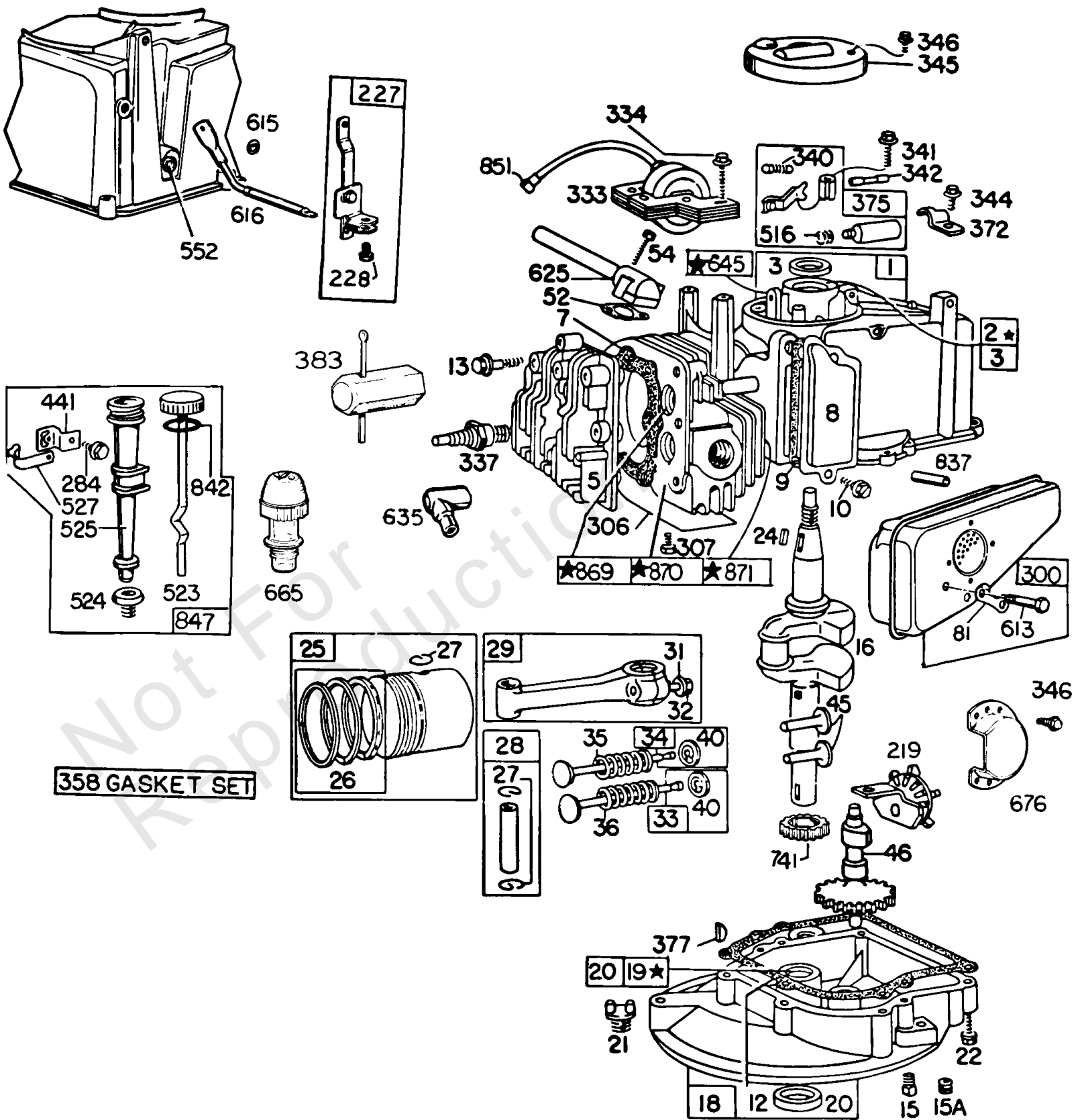
REF NO	PART NO	QTY	DESCRIPTION
1	394094		CYLINDER ASSEMBLY
2	293708		KIT, Bushing/Seal -(Plain Bearing)
3	299819		SEAL, Oil -(Plain Bearing)
5	211479		HEAD, Cylinder
7	270341		GASKET, Cylinder Head -Included in Gasket Set-Part No. 298989
8	298383		BREATHER ASSEMBLY
9	270239		GASKET, Rocker Cover -Included in Gasket Set-Part No. 298989
10	93394		SCREW
12	270833		GASKET, Crankcase -(.015) Included in Gasket Set-Part No. 298989
12	270895		GASKET, Crankcase -(.005) Included in Gasket Set-Part No. 298989
12	270896		GASKET, Crankcase -(.009) Included in Gasket Set-Part No. 298989
13	93111		SCREW -(15/16)
15A	93418		PLUG, Oil Drain -(Flush)
15	91084		PLUG, Oil Drain -(3/8)
16	394030		CRANKSHAFT
18	394157		SUMP, Engine
19	293709		KIT, Bushing/Seal -(PTO Side)
20	391483		SEAL, Oil -(PTO Side)
21	66768		PLUG, Oil
22	93032		SCREW -(Fuel Tank) (Tank)
24	61760		KEY, Flywheel -(Breaker Ignition)
25	298904		PISTON ASSEMBLY -(Standard)
25	298905		PISTON ASSEMBLY -(.010 Oversize)
25	298906		PISTON ASSEMBLY -(.020 Oversize)
25	298907		PISTON ASSEMBLY -(.030 Oversize)
26	298982		RING SET-STD -(Standard)
26	298983		SET, Ring -(.010 Oversize)
26	298984		RING SET-020 -(.020 Oversize)
26	298985		SET, Ring -(.030 Oversize)
26	299742		SET, Ring -(Standard)
27	26026		LOCK, Piston Pin
28	298908		PIN, Piston -(.005 Oversize)
28	298909		PIN. Piston



★ Special tools required to install.
See repair instruction manual

Cyl, Mufflers, Piston, Sump

REF NO	PART NO	QTY	DESCRIPTION
29	294201		ROD, Connecting -For Connecting Rod with .020 undersize Crankpin Bore-order No. 296079
31	222282		WASHER
32	92296		SCREW -(Connecting Rod)
33	296676		VALVE, Exhaust -(Grooved Stem-Includes Retainer)
34	296677		VALVE, Intake -(Grooved stem-includes Retainer)
35	260552		SPRING, Valve -(Exhaust)
36	26478		SPRING, Valve -(Exhaust)
40	93312		RETAINER, Valve -(Valves With Groove In Stem)
45	230173		TAPPET, Valve
46	210453		CAMSHAFT
52	270345		GASKET, Intake -Included in Gasket Set-Part No. 298989
54	93485		SCREW
81	223256		LOCK, Rod Screw
219	394044		GEAR, Governor
227	394115		LEVER, Governor Control
228	93758		SCREW -(Rotating Screen)
284	93572		SCREW -(10-32 X 3/8)
300	394644		MUFFLER
306	223048		SHIELD, Cylinder
307	93490		SCREW -(Rotating Screen)
333	298502		ARMATURE, Magneto -(Points And Condenser)
334	93381		SCREW
337	293918		PLUG, Spark
337	29693		PLUG, Spark
337	298809		PLUG, Spark
337	392588		PLUG, Spark
340	26018		SPRING, Breaker Arm
341	93381		SCREW
342	65704		PLUNGER, Breaker
344	93042		SCREW
345	220366		COVER, Breaker
346	93705		SCREW -(8-32 X 3/8)
358	298989		GASKET SET, Engine
372	220477		CLAMP
375	294628		BREAKER, Ignition
375	299061		BREAKER, Ignition -Includes: 294628 Point Set 65704 Plunger 61760 Key-Flywheel
377	93065		KEY, Woodruff -(#6)
383	89838		WRENCH, Spark Plug
441	222530		BRACKET, Oil Fill
516	260374		SPRING, Condensor



Cyl, Mufflers, Piston, Sump

REF NO	PART NO	QTY	DESCRIPTION
523	391838		CAP, Oil Fill -For complete Oil Fill Cap with Dipstick and Oil Filler Tube Assy.-order Part 392055. For Oil Minder, see Ref. No. 665
524	68838		SEAL, O-Ring -(Dipstick Tube)
525	280131		TUBE, Dipstick
527	222548		CLAMP, Hose
552	230732		BUSHING, Governor Crank -(3/16 I.D.)
613	93935		SCREW -(Muffler)
615	93307		RETAINER, Governor Shaft
616	394075		CRANK, Governor -(Mechanical Governor)
625	298775		MANIFOLD, Intake
635	66538		BOOT, Spark Plug
645	23513		BUSHING, Plunger -(Used only with Breaker Point Ignition)
665	296768		MINDER, Oil
676	222238		DEFLECTOR, Muffler -(Side Outlet)
741	261533		GEAR, Timing -(Plain Bearing 2 Piece Crankshaft)
837	222241		SPACER -(Muffler)
842	270920		SEAL, O-Ring -(Dipstick Tube) (Oil Fill)
847	392055		DIPSTICK/TUBE ASSEMBLY
851	221798		TERMINAL, Spark Plug
869	210879		SEAT, Valve -(Intake)
870	211291		SEAT, Valve -(Exhaust)
871	63709		BUSHING, Valve Guide -(Intake)

Replacement Engine - US & Canada

REF NO	PART NO	QTY	DESCRIPTION
	10T8020015	1	Replacement Engine
	-----		Top No-Load Speed: 3200 -Trim: ALL
	-----		Service Note: Replacement engine listed is not available in the State of California. Repair with individual parts.

Not For Reproduction

