

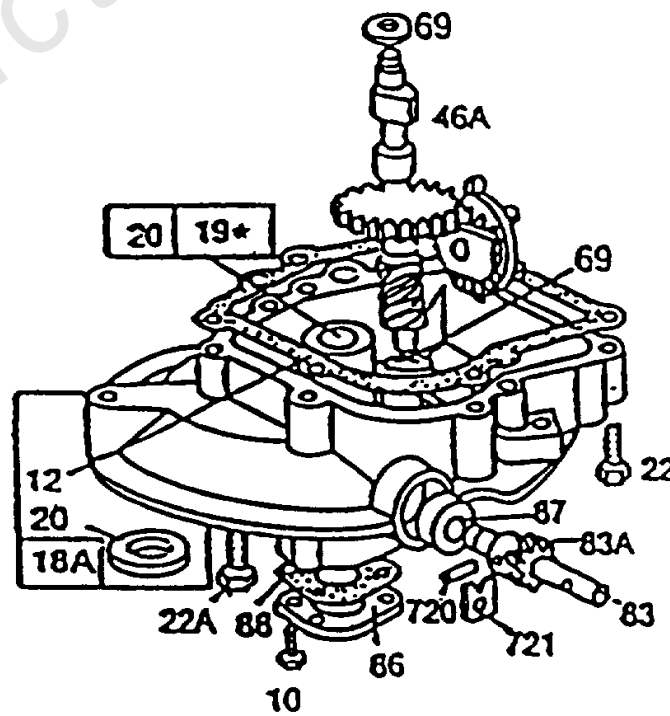
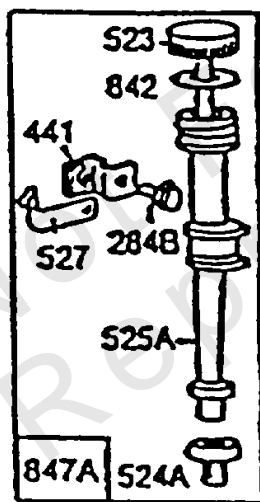
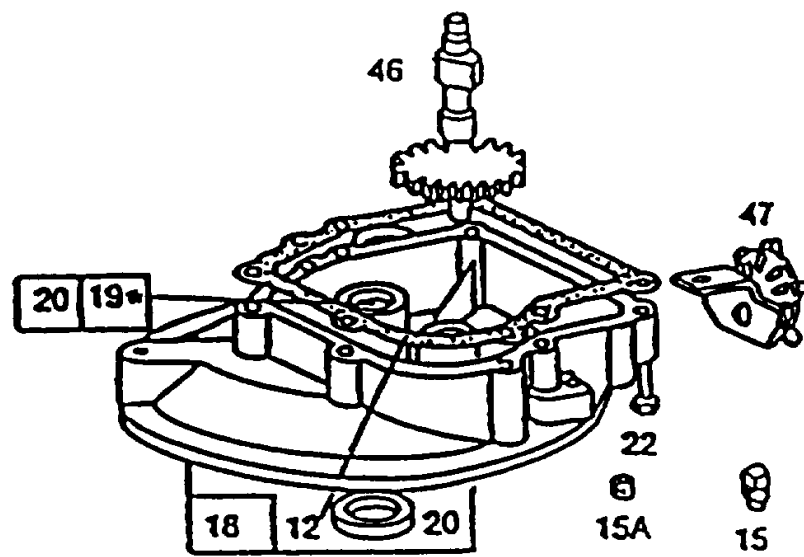


Parts Manual

Mfg. No: 092908-5175-01

Model Components	Page
(2)SumpBases, High Oil Fill.....	4
(3) Sump Bases.....	6
Air Cleaners, Vertical Pull.....	10
Carburetor and Air Cleaners.....	14
Carburetors, Controls.....	18
Cylinder,Mufflers,Piston Grp.....	22
Electric Start, Misc. Elect.....	30
Pulsa Prm & Pulsa Jet Carbs.....	34
Replacement Engine - Europe, Middle East & Africa.....	36
Replacement Engine - US & Canada.....	37

Not For
Reproduction



SUMP ASSEMBLIES ILLUSTRATED ON THIS PAGE INCLUDE AN OIL FILLER OPENING.

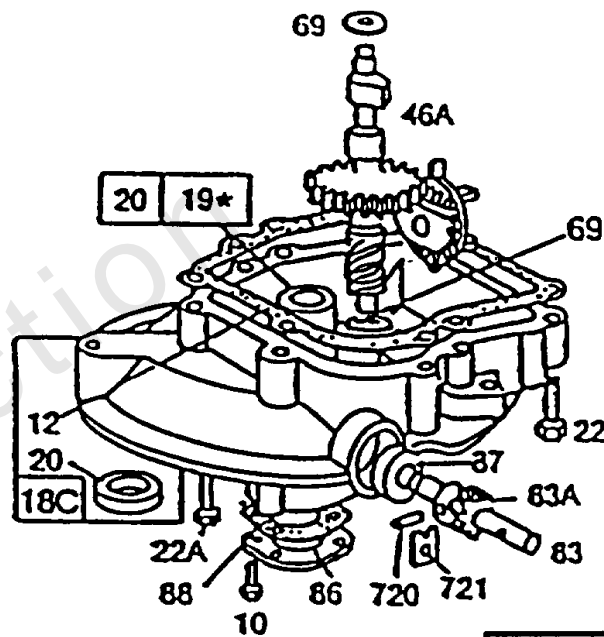
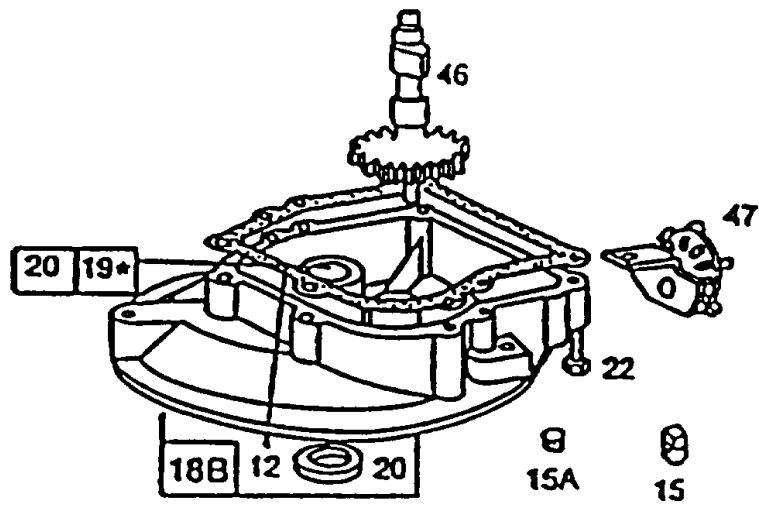
★ REQUIRES SPECIAL TOOLS TO INSTALL. SEE REPAIR INSTRUCTION MANUAL.

(2)SumpBases, High Oil Fill

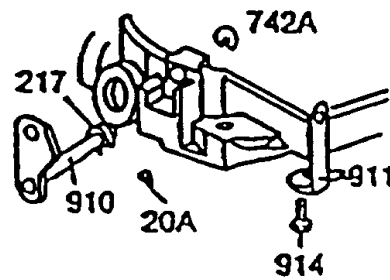
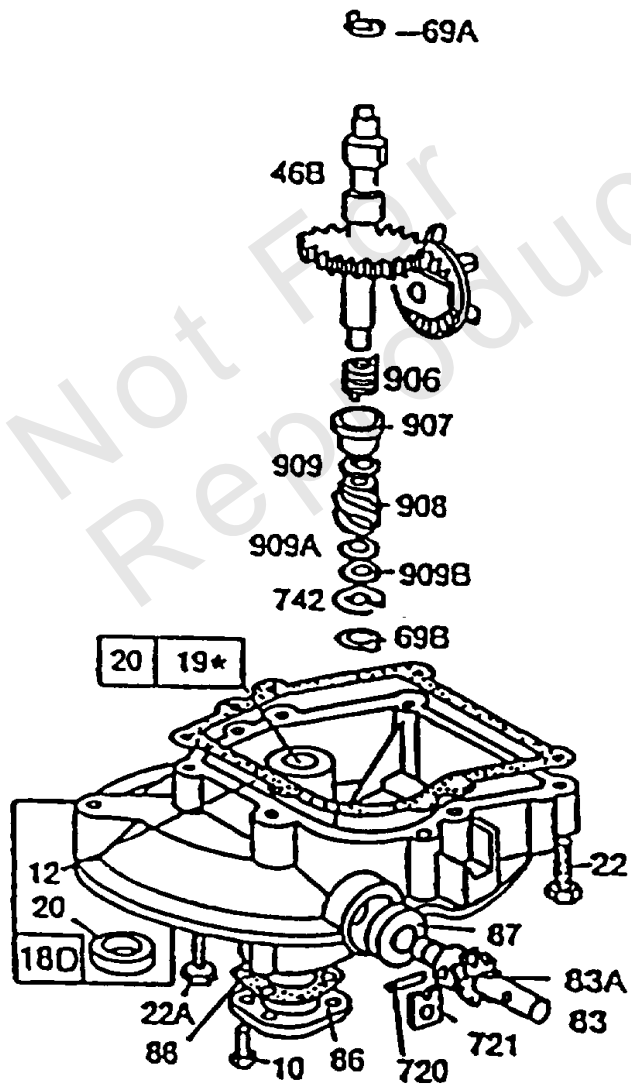
REF NO	PART NO	QTY	DESCRIPTION
10	93394		SCREW
12	270833		GASKET, Crankcase -(.015) Included in Gasket Set-Part No. 298989
12	270895		GASKET, Crankcase -(.005) Included in Gasket Set-Part No. 298989
12	270896		GASKET, Crankcase -(.009) Included in Gasket Set-Part No. 298989
15A	94613		PLUG, Oil Drain -(Flush)
15	91084		PLUG, Oil Drain -(3/8)
18	293512		SUMP, Engine
19	293709		KIT, Bushing/Seal -(PTO Side)
20	391483		SEAL, Oil -Included in Gasket Set-Part No. 298989
21A	66768		PLUG, Oil
22	93032		SCREW -(Fuel Tank) (Tank)
46A	396197		CAMSHAFT -(Clockwise)
46	394800		CAMSHAFT -(Metal)
46	493747		CAMSHAFT -(Plastic)
47	491688		SLINGER, Governor/Oil
69	68938		WASHER -(13/16 ODx17/32 ID) Use on Aux Drive PTO.Cam
83A	231278		GEAR, Drive -(Clockwise)
83	230831		SHAFT, Auxiliary Drive
86	221780		COVER, Drive Gear
87	391484		SEAL, Oil -(1/2 Auxiliary Drive Shaft)
88	270328		GASKET, Drive Gear Cover -Included in Gasket Set-Part No. 298989
284B	94620		SCREW -(Control Panel)
441	222530		BRACKET, Oil Fill
523	396372		DIPSTICK/CAP ASSEMBLY
524A	68838		SEAL, O-Ring -(Dipstick Tube)
525A	280131		TUBE, Dipstick
527	222548		CLAMP, Hose
720	93474		PIN, Shaft
721	221779		STOP, Shaft
842	270920		SEAL, O-Ring -(Dipstick Tube) (Oil Fill)
847A	392055		DIPSTICK/TUBE ASSEMBLY

Footnotes:

To Replace Crankshaft Gear Pin-Order Part No. 230978



998 POWER TRAC KIT



★ REQUIRES SPECIAL TOOLS TO INSTALL. SEE REPAIR INSTRUCTION MANUAL.

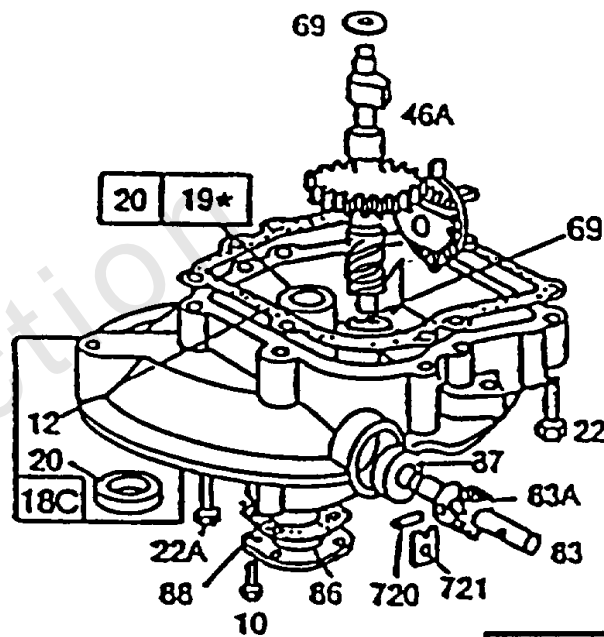
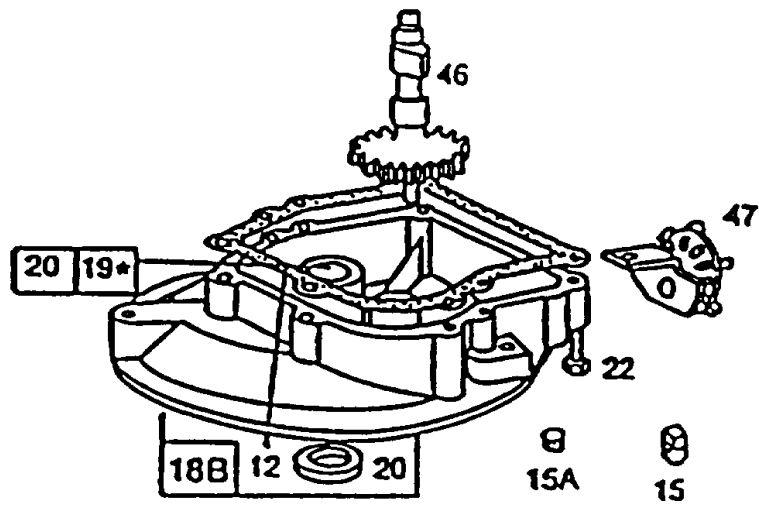
SUMP ASSEMBLIES ILLUSTRATED ON THIS PAGE INCLUDE AN OIL FILLER OPENING.

(3) Sump Bases

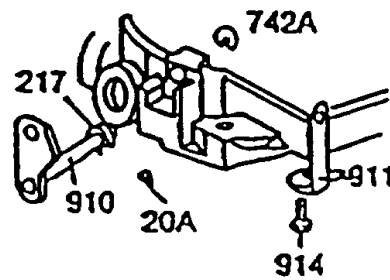
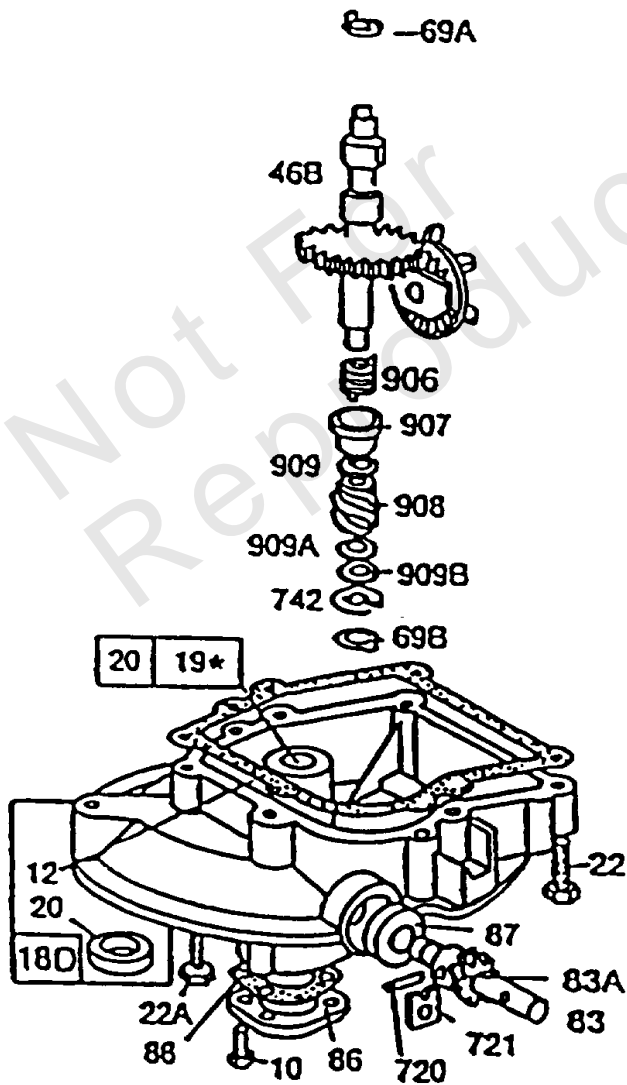
REF NO	PART NO	QTY	DESCRIPTION
10	93394		SCREW
12	270833		GASKET, Crankcase -(.015) Included in Gasket Set-Part No. 298989
12	270895		GASKET, Crankcase -(.005) Included in Gasket Set-Part No. 298989
12	270896		GASKET, Crankcase -(.009) Included in Gasket Set-Part No. 298989
15A	94613		PLUG, Oil Drain -(Flush)
15	91084		PLUG, Oil Drain -(3/8)
18B	395384		SUMP, Engine
18D	395392		SUMP, Engine -(Clutch)
19	293709		KIT, Bushing/Seal -(PTO Side)
20A	280266		SEAL, Oil
20	391483		SEAL, Oil -Included in Gasket Set-Part No. 298989
22	93032		SCREW -(Fuel Tank) (Tank)
46B	394231		CAMSHAFT -(Clutch)
46A	396197		CAMSHAFT -(Clockwise)
46	394800		CAMSHAFT -(Metal)
46	493747		CAMSHAFT -(Plastic)
47	491688		SLINGER, Governor/Oil
69B	223228		WASHER, Thrust
69A	223225		WASHER
69	68938		WASHER -(13/16 ODx17/32 ID) Use on Aux Drive PTO.Cam
83A	231278		GEAR, Drive -(Clockwise)
83	230831		SHAFT, Auxiliary Drive
86	221780		COVER, Drive Gear
87	391484		SEAL, Oil -(1/2 Auxiliary Drive Shaft)
88	270328		GASKET, Drive Gear Cover -Included in Gasket Set-Part No. 298989
217	261520		SPRING, Return -(Clutch Lever)
720	93474		PIN, Shaft
721	221779		STOP, Shaft
742A	93925		RETAINER -(Clutch Lever)
742	93525		RETAINER, E Ring
906	261650		SPRING, Torsion
907	394871		SLEEVE, Clutch
908	231220		GEAR, Worm
909A	271418		WASHER, Thrust
909B	271312		WASHER, Thrust

Footnotes:

To Replace Crankshaft Gear Pin-Order Part No. 230978



998 POWER TRAC KIT



★ REQUIRES SPECIAL TOOLS TO INSTALL. SEE REPAIR INSTRUCTION MANUAL.

SUMP ASSEMBLIES ILLUSTRATED ON THIS PAGE INCLUDE AN OIL FILLER OPENING.

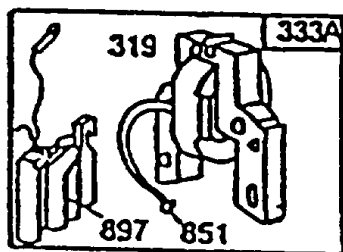
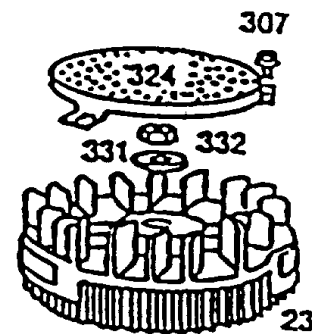
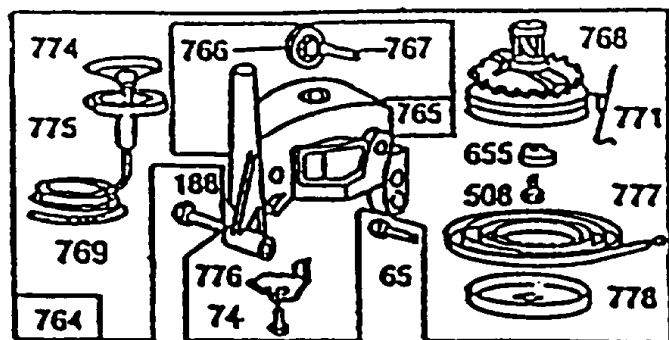
(3) Sump Bases

REF NO	PART NO	QTY	DESCRIPTION
909	271417		WASHER, Thrust
910	394051		LEVER, Control -(Clutch)
911	223009		BRACKET, Clutch
914	93970		SCREW
998	399634		HARNESS, Power

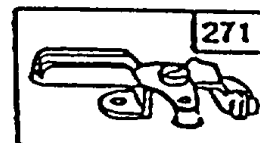
Not For
Reproduction

Footnotes:

To Replace Crankshaft Gear Pin-Order Part No. 230978



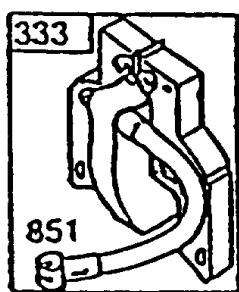
334



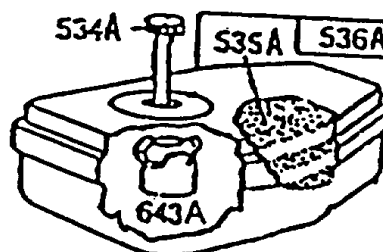
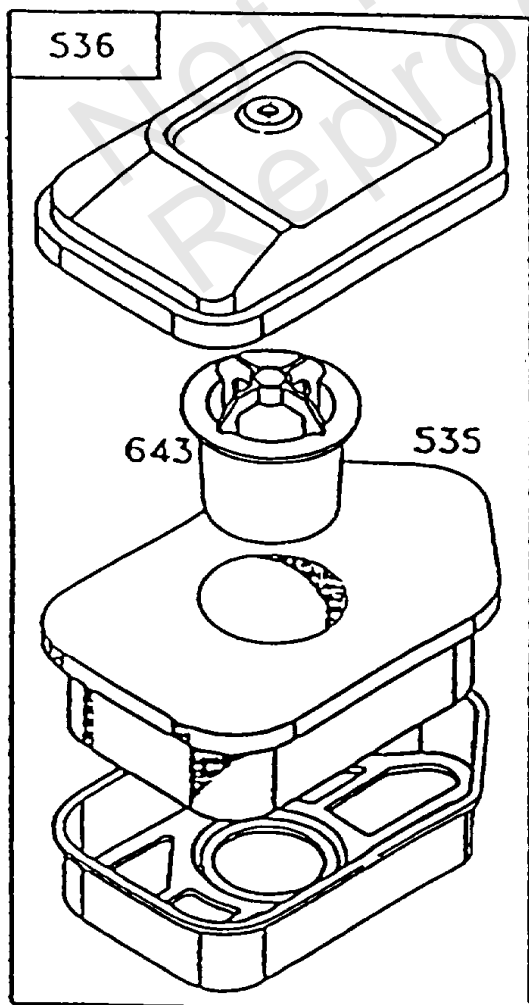
270



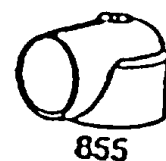
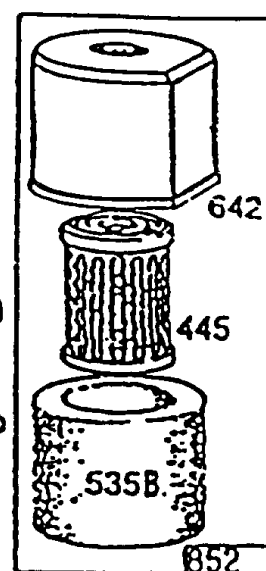
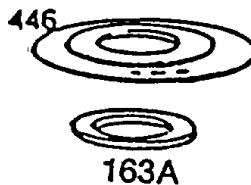
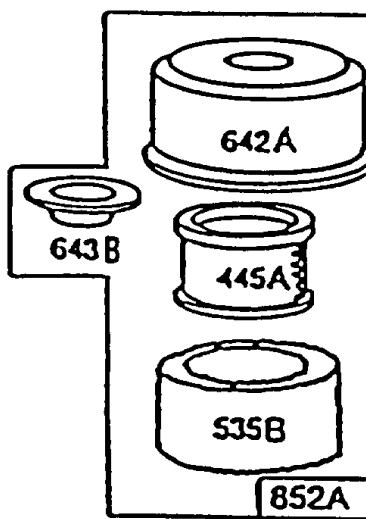
269



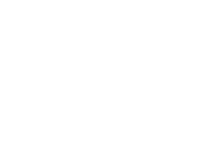
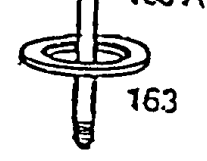
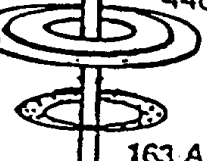
334



163

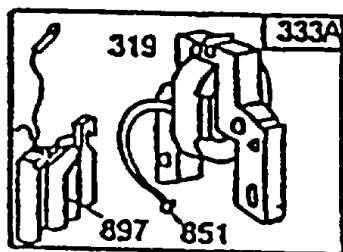
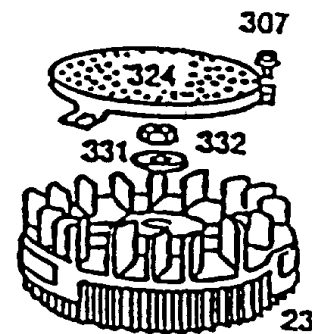
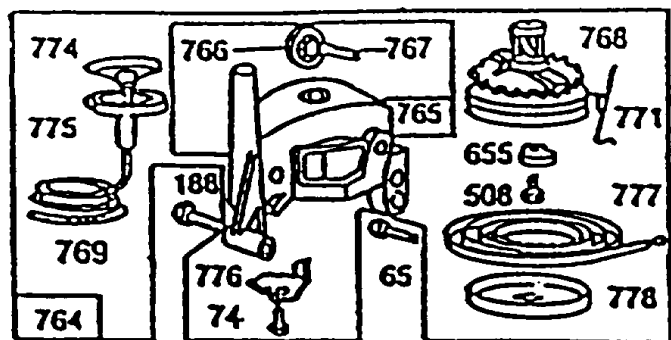


467

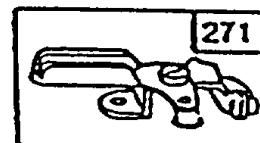


Air Cleaners, Vertical Pull

REF NO	PART NO	QTY	DESCRIPTION
23	394848		FLYWHEEL -(Vertical Pull Starter)
65	93587		SCREW -(1/4-20 X 1)
74	93758		SCREW -(Rotating Screen)
163A	271077		SPACER, Air Cleaner
163	271139		GASKET, Air Cleaner -(Above Spacer) Included in Gasket Set-Part No. 298989. Included in Carburetor Kit-Part No. 494623
166	231332		STUD -(Rotary Choke)
188	93585		SCREW -(Crankcase Cover)
268	66986		CASING, Control Wire -(Cut To Required Length)
269	26099		WIRE, Control -(Cut To Required Length) If Longer Wire is Needed, Specify Length in Inches; If Shorter Wire is Needed, Order Part and Cut to Required Length.
270	63426		NUT -(Control Wire Casing)
271	290568		LEVER, Control
307	93490		SCREW -(Rotating Screen)
319	298502		ARMATURE, Magneto -(Points And Condenser)
324	223006		SCREEN, Rotating
331	223047		WASHER -(Flywheel)
332	92284		NUT -(Flywheel)
333A	398593		ARMATURE, Magneto -(Magnetron Ignition)
333	398593		ARMATURE, Magneto -(Magnetron Ignition)
334	93381		SCREW
356A	398808		WIRE, Stop -(Cut To Required Length)
356	398808		WIRE, Stop -(Cut To Required Length)
445A	392308		FILTER, A/C Cartridge
445	396424		FILTER, Pre Cleaner
446	222844		BASE, Air Cleaner
447	93913		SCREW
467	493903		KNOB, Air Cleaner Cover
508	93158		SCREW -(1/4-20 X 5/8)
534B	94005		SCREW -(Air Cleaner)
534A	93374		SCREW -(Air Cleaner)
534	93865		SCREW -(Air Cleaner)
535A	270579		FILTER, Air Cleaner Foam -(2-slanted Sides)
535B	271466		FILTER, Pre Cleaner
535	272235		FILTER, Air Cleaner Foam
536A	390055		CLEANER, Air



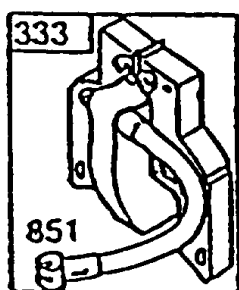
334



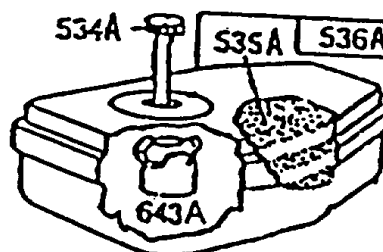
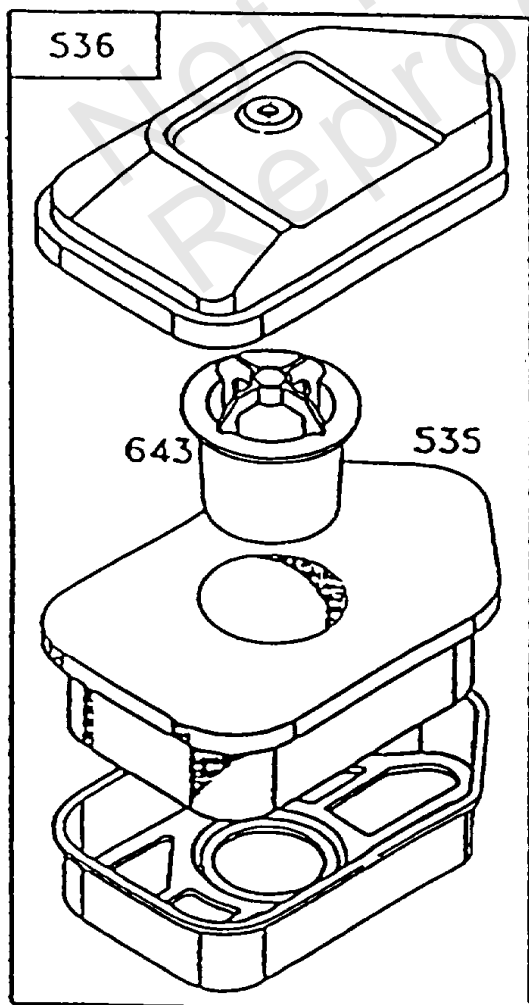
270



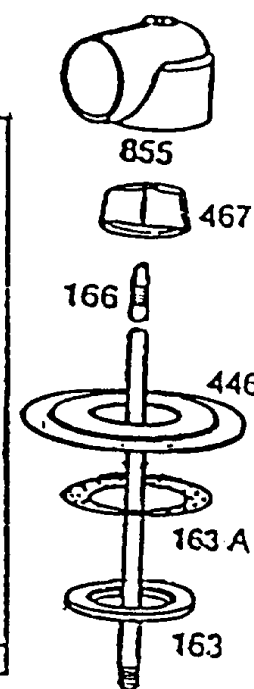
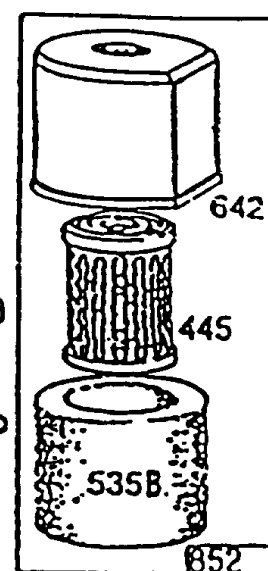
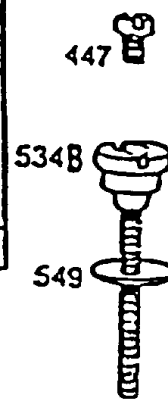
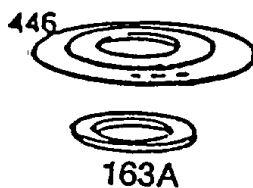
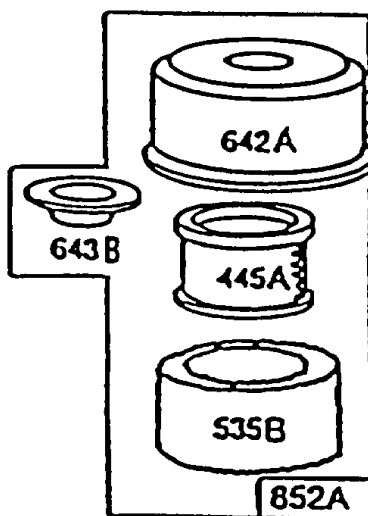
269



334

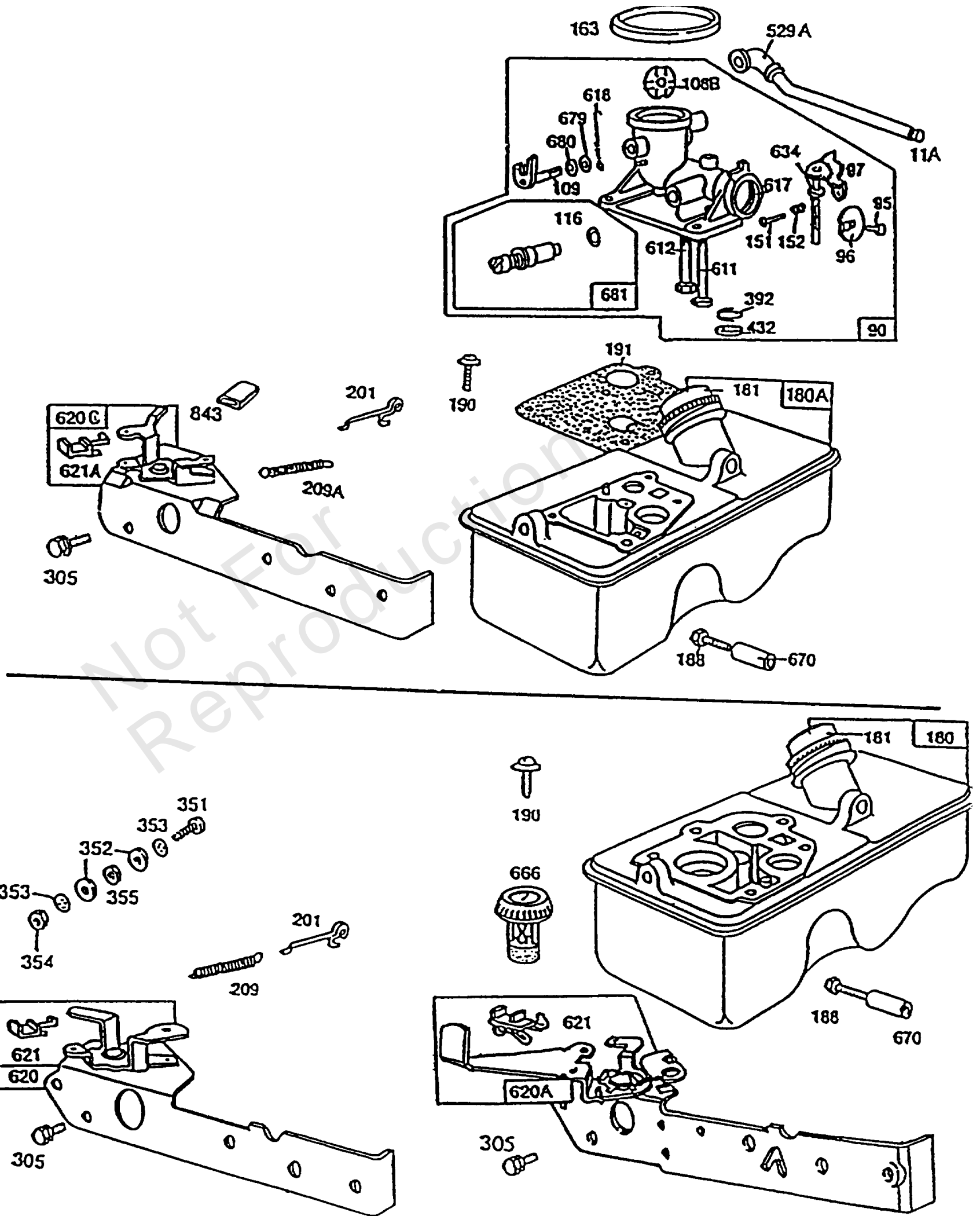


163



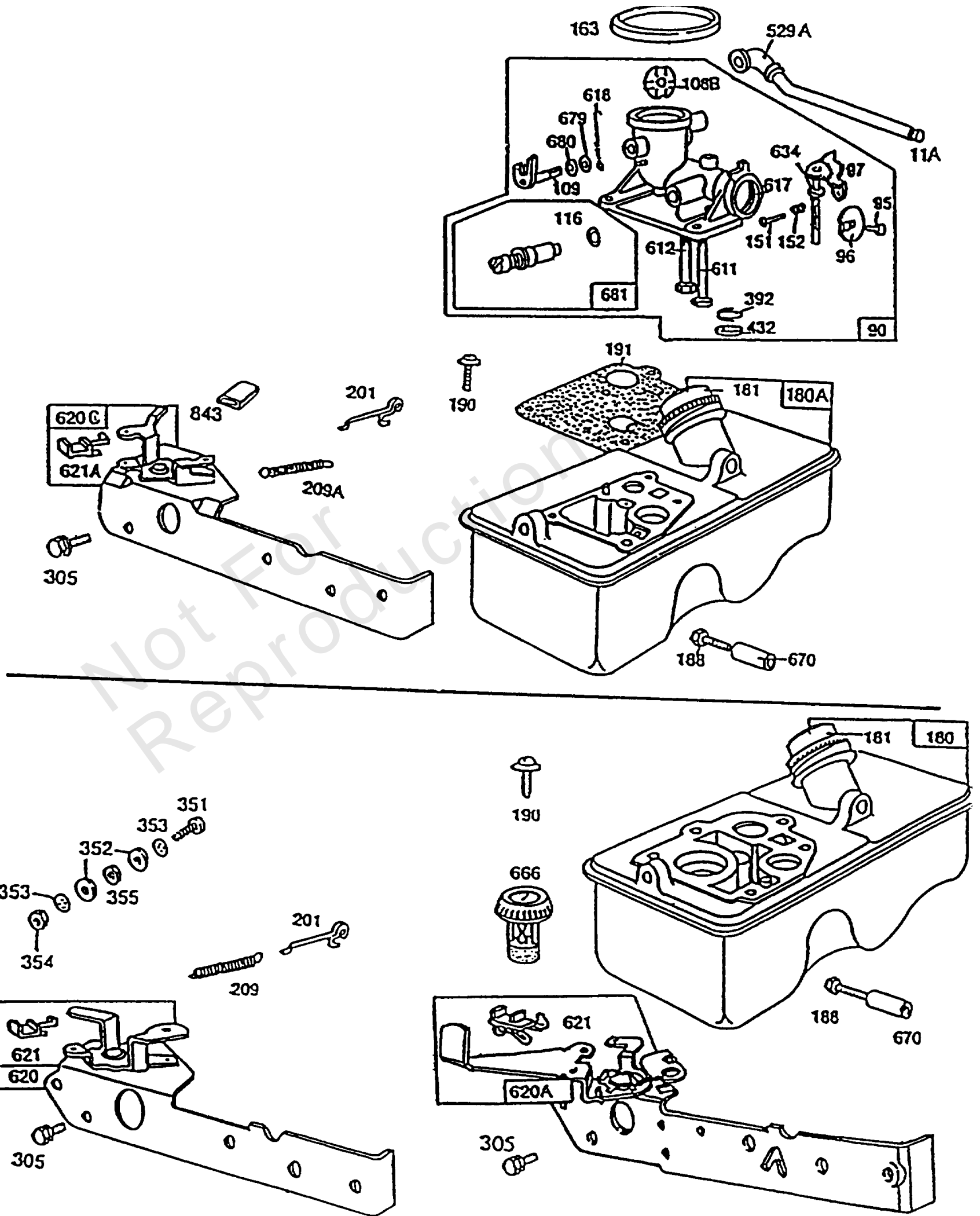
Air Cleaners, Vertical Pull

REF NO	PART NO	QTY	DESCRIPTION
536	493492		CLEANER, Air
549	270978		WASHER -(Below Internal Screw Head)
642A	222626		COVER, Air Cleaner
642	223306		COVER, Air Cleaner
643B	222594		SUPPORT, Foam Element -(1/4 Deep)
643A	280374		RETAINER, Air Filter
643	280972		SUPPORT, Foam Element
655	222057		ANCHOR, Spring
764	396082		STARTER, Vertical Rewind -(48-5/8)
765	395914		HOUSING, Vertical Starter -(Compliance Engines)
766	280022		PULLEY, Rope Guide
767	231048		PIN, Retainer -(7/16)
768	299948		PULLEY, Vertical Starter
769	280399		ROPE, Starter -(Cut To Required Length) If Longer Rope is Needed, Order Part and Cut to Required Length.
769	66734		ROPE, Starter -(48-5/8)
771	299961		CLIP -(Vertical Pull Starter)
774	491288		INSERT, Grip
775	491288		INSERT, Grip
776	222049		GUIDE, Rope
777	390066		SPRING, Vertical Rewind Starter
778	280021		COVER, Vertical Pulley
851	221798		TERMINAL, Spark Plug
852A	392368		CLEANER, Air
852	396397		CLEANER, Air
855	211982		ADAPTER, Air Cleaner
897	394970		KIT, Magnetron Ignition



Carburetor and Air Cleaners

REF NO	PART NO	QTY	DESCRIPTION
11A	230802		TUBE, Breather
90	396841		CARBURETOR
95	93499		SCREW -(Throttle Valve)
96	211237		VALVE, Throttle
97	298821		SHAFT, Throttle
108B	280024		VALVE, Choke
109	68628		SHAFT, Choke
116	280203		SEAL, O-Ring -Included in Carburetor Kit-Part No. 494623
151	93524		SCREW -(5-40 X 1/2)
152	260746		SPRING, Throttle Return
163	271139		GASKET, Air Cleaner -(Above Spacer) Included in Gasket Set-Part No. 298989. Included in Carburetor Kit-Part No. 494623
180A	397150		TANK, Fuel
180	396781		TANK, Fuel
181	298425		CAP, Fuel Tank -(Metal)
188	93585		SCREW -(Crankcase Cover)
190	93440		SCREW
191	270253		GASKET, Fuel Tank
201	261027		LINK, Air Vane
209	260877		SPRING, Governor -(3200 to 3400 RPM Top Speed Set-No Load)
305	94153		SCREW
351	93735		SCREW
352	66068		WASHER -(Fiber)
353	92791		WASHER
354	90576		NUT -(Ground Terminal)
355	66554		WASHER -(Insulating)
392	260455		SPRING, Pump Diaphragm
432	221377		CAP, Spring
529A	67838		GROMMET
611	297219		TUBE, Pick Up -(2 5/8)
612	296811		TUBE, Pick Up
617	270344		SEAL, O-Ring -(Intake Manifold) Included in Carburetor Kit-Part No. 494623
618	260870		SPRING, Choke Return -(Choke Return For Snap-Over Choke)
620A	299975		BRACKET, Control
620C	298837		BRACKET, Control
620	299974		BRACKET, Control
621A	297472		SWITCH, Stop
621	297472		SWITCH, Stop -Used Before Code Date 85041800
621	396847		SWITCH, Stop -Used After Code Date 85041700
634	270167		SEAL, Choke/Throttle Shaft -(Felt)

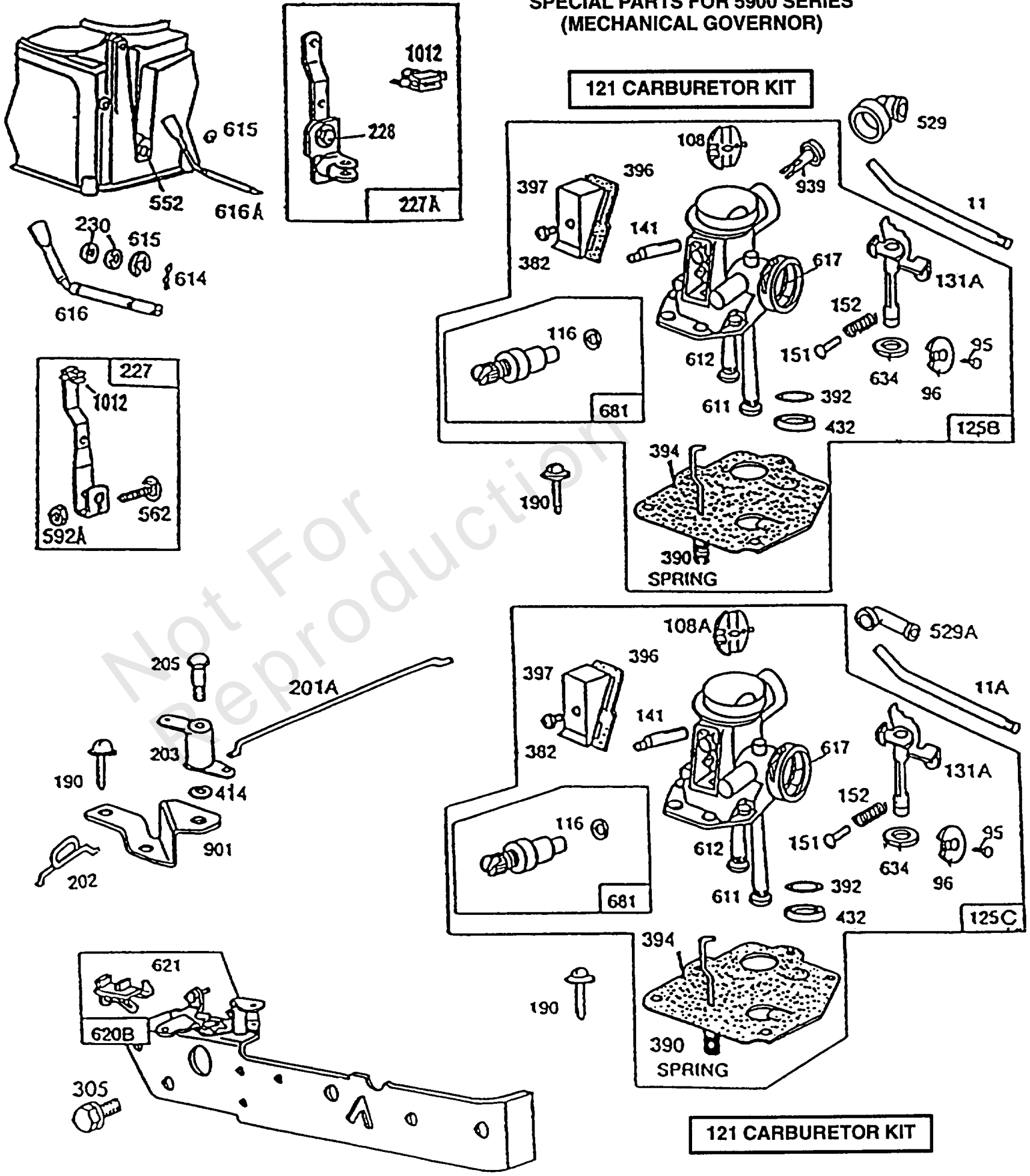


Carburetor and Air Cleaners

REF NO	PART NO	QTY	DESCRIPTION
666	299992		GAUGE, Fuel
670	94047		SPACER, Fuel Tank -(Non Compliance Engines)
679	270382		WASHER -(Foam)
680	221839		WASHER
681	395508		VALVE, High Speed -(Nylon Body) Included in Carburetor Kit-Part No. 494623

Not For Reproduction

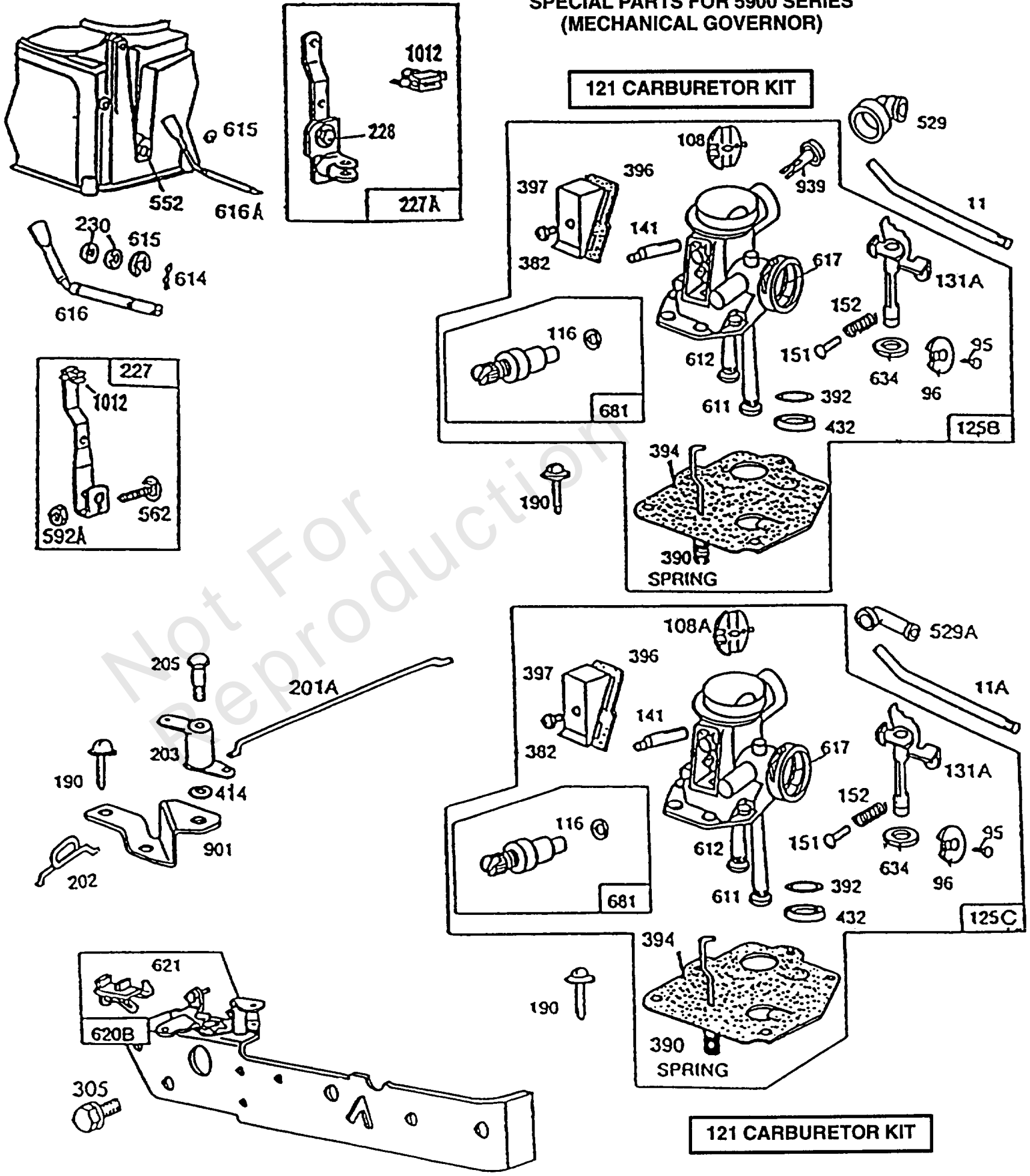
SPECIAL PARTS FOR 5900 SERIES
(MECHANICAL GOVERNOR)



Carburetors, Controls

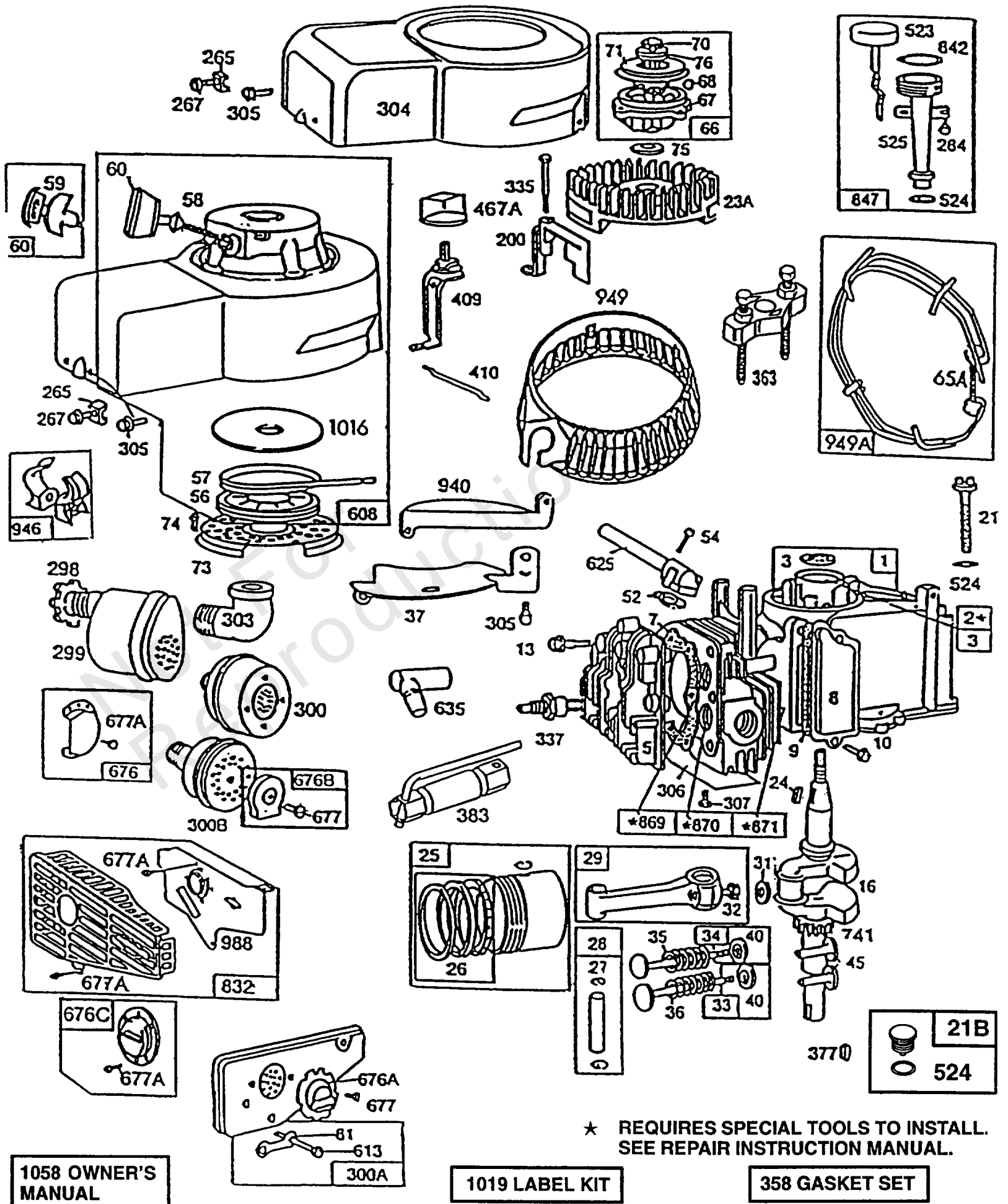
REF NO	PART NO	QTY	DESCRIPTION
11A	230802		TUBE, Breather
11	231272		TUBE, Breather
95	93499		SCREW -(Throttle Valve)
96	211237		VALVE, Throttle
108A	280178		VALVE, Choke
108	280370		VALVE, Choke
108	280429		VALVE, Choke -Used After Code Date 83110604
116	280203		SEAL, O-Ring -Included in Carburetor Kit-Part No. 494623
121	494623		KIT, Carburetor Overhaul
125C	396336		CARBURETOR -(Mechanical Governor)
125B	397180		CARBURETOR
131A	394035		SHAFT, Throttle -(Mechanical Governor)
141	68908		SHAFT, Choke
151	93524		SCREW -(5-40 X 1/2)
152	260746		SPRING, Throttle Return
190	93440		SCREW
201A	261918		LINK, Air Vane
202	261897		LINK, Air Vane -(Mechanical Governor)
203	280272		CRANK, Bell -(Mechanical Governor)
205	231520		SCREW -(8-32) -Used After Code Date 86112300
205	93838		SCREW -(6-32) -Used Before Code Date 86112400
227A	491481		LEVER, Governor Control -Used Before Code Date 88011100
227	491482		LEVER, Governor Control -Used After Code Date 88011000
228	93490		SCREW -(Rotating Screen)
230	220680		WASHER
305	94153		SCREW
382	93545		SCREW
390	261249		SPRING, Diaphragm
392	260455		SPRING, Pump Diaphragm
394	391681		DIAPHRAGM, Carburetor -Included in Carburetor Kit-Part No. 494623
396	270571		GASKET, Choke Cover -Included in Carburetor Kit-Part No. 494623
397	211678		COVER, Choke Link
414	220982		WASHER -Used Before Code Date 86112400
414	223932		WASHER -Used After Code Date 86112300
432	221377		CAP, Spring
529A	67838		GROMMET
529	280368		GROMMET -(Breather)

SPECIAL PARTS FOR 5900 SERIES
(MECHANICAL GOVERNOR)



Carburetors, Controls

REF NO	PART NO	QTY	DESCRIPTION
552	230732		BUSHING, Governor Crank -(3/16 I.D.)
562	92613		BOLT -(Governor Lever)
592A	231082		NUT -(Governor Control)
611	297219		TUBE, Pick Up -(2 5/8)
612	296811		TUBE, Pick Up
614	93306		PIN, Cotter
615	93307		RETAINER, Governor Shaft
616A	394075		CRANK, Governor -(Mechanical Governor) -Used Before Code Date 88011100
616	491405		CRANK, Governor -Used After Code Date 88011000
617	270344		SEAL, O-Ring -(Intake Manifold) Included in Carburetor Kit-Part No. 494623
620B	394056		BRACKET, Control -(Remote Control)
621	297472		SWITCH, Stop -Used Before Code Date 85041800
621	396847		SWITCH, Stop -Used After Code Date 85041700
634	270167		SEAL, Choke/Throttle Shaft -(Felt)
681	395508		VALVE, High Speed -(Nylon Body) Included in Carburetor Kit-Part No. 494623
901	490818		BRACKET, Mounting -(Mechanical Governor)
939	395665		SHAFT, Auto Choke -(Includes Spring)
1012	280414		RETAINER, Link

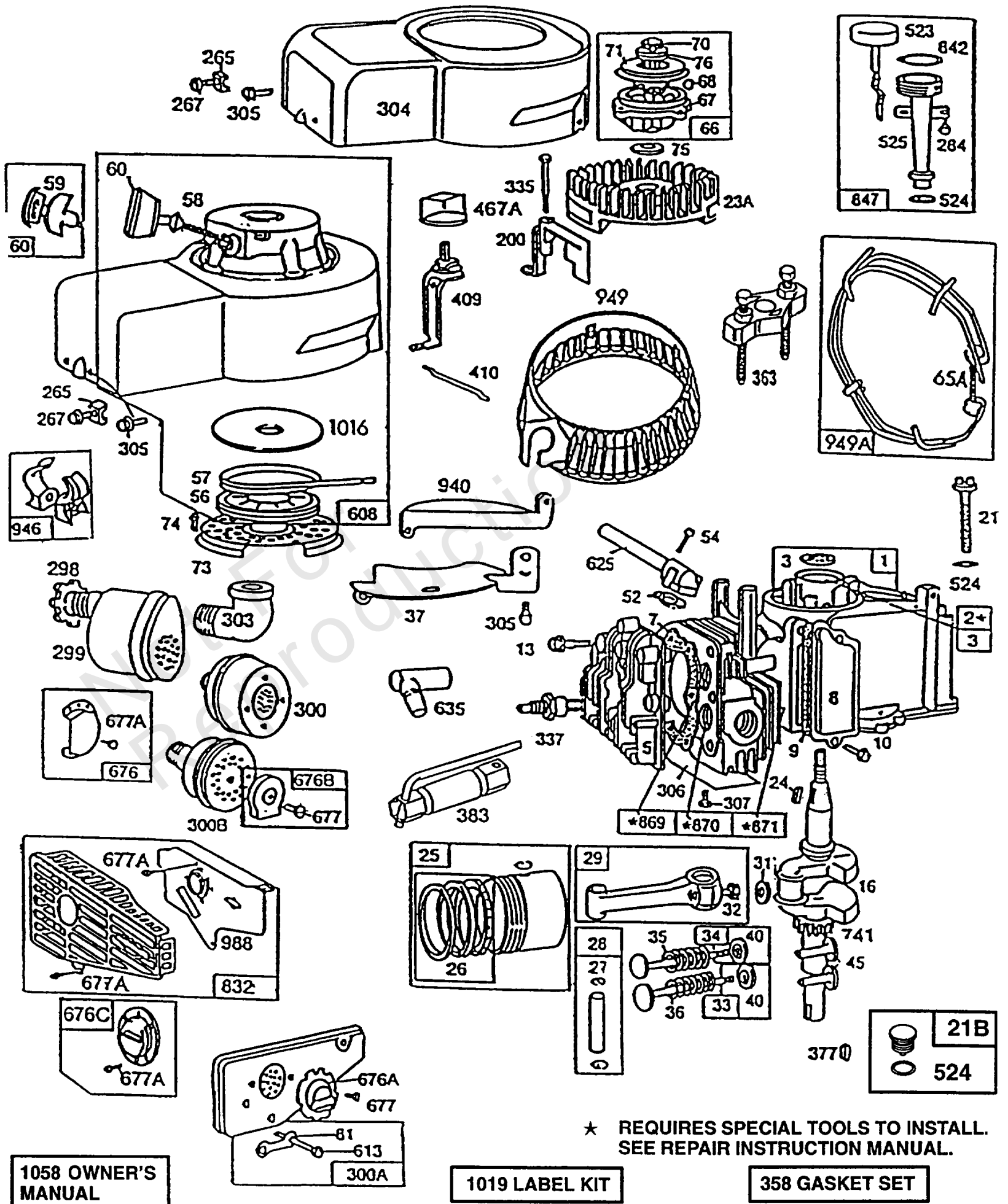


Cylinder,Mufflers,Piston Grp

REF NO	PART NO	QTY	DESCRIPTION
1	399164		CYLINDER ASSEMBLY -(Air Vane)
2	293708		KIT, Bushing/Seal -(Plain Bearing)
3	299819		SEAL, Oil -(Plain Bearing) Included in Gasket Set-Part No. 298989
5	211479		HEAD, Cylinder
5	213942		HEAD, Cylinder -Used on Engines With Muffler Guard. Used on Engines With Muffler Guard.
7	272170		GASKET, Cylinder Head -Included in Gasket Set-Part No. 298989
8	298383		BREATHER ASSEMBLY
9	270239		GASKET, Rocker Cover -Included in Gasket Set-Part No. 298989
10	93394		SCREW
13	93111		SCREW -(15/16)
16	494034		CRANKSHAFT -Used Before Code Date 91070100
21B	399195		PLUG, Oil -(High Oil Fill)
21	280381		PLUG -Used Before Code Date 85060300
21	280485		PLUG -Used After Code Date 85060200
23A	395653		FLYWHEEL
24	222698		KEY, Flywheel
25	298904		PISTON ASSEMBLY -(Standard)
25	298905		PISTON ASSEMBLY -(.010 Oversize)
25	298906		PISTON ASSEMBLY -(.020 Oversize)
25	298907		PISTON ASSEMBLY -(.030 Oversize)
26	298982		RING SET-STD -(Standard)
26	298983		SET, Ring -(.010 Oversize)
26	298984		RING SET-020 -(.020 Oversize)
26	298985		SET, Ring -(.030 Oversize)
26	299742		SET, Ring -(Standard)
27	26026		LOCK, Piston Pin
28	298908		PIN, Piston -(.005 Oversize)
28	298909		PIN, Piston
29	294201		ROD, Connecting -(Standard)
29	296079		ROD, Connecting -(.020 Undersize)
31	222282		WASHER
32	94404		SCREW -(Connecting Rod)

Footnotes:

To Replace Crankshaft Gear Pin-Order Part No. 230978

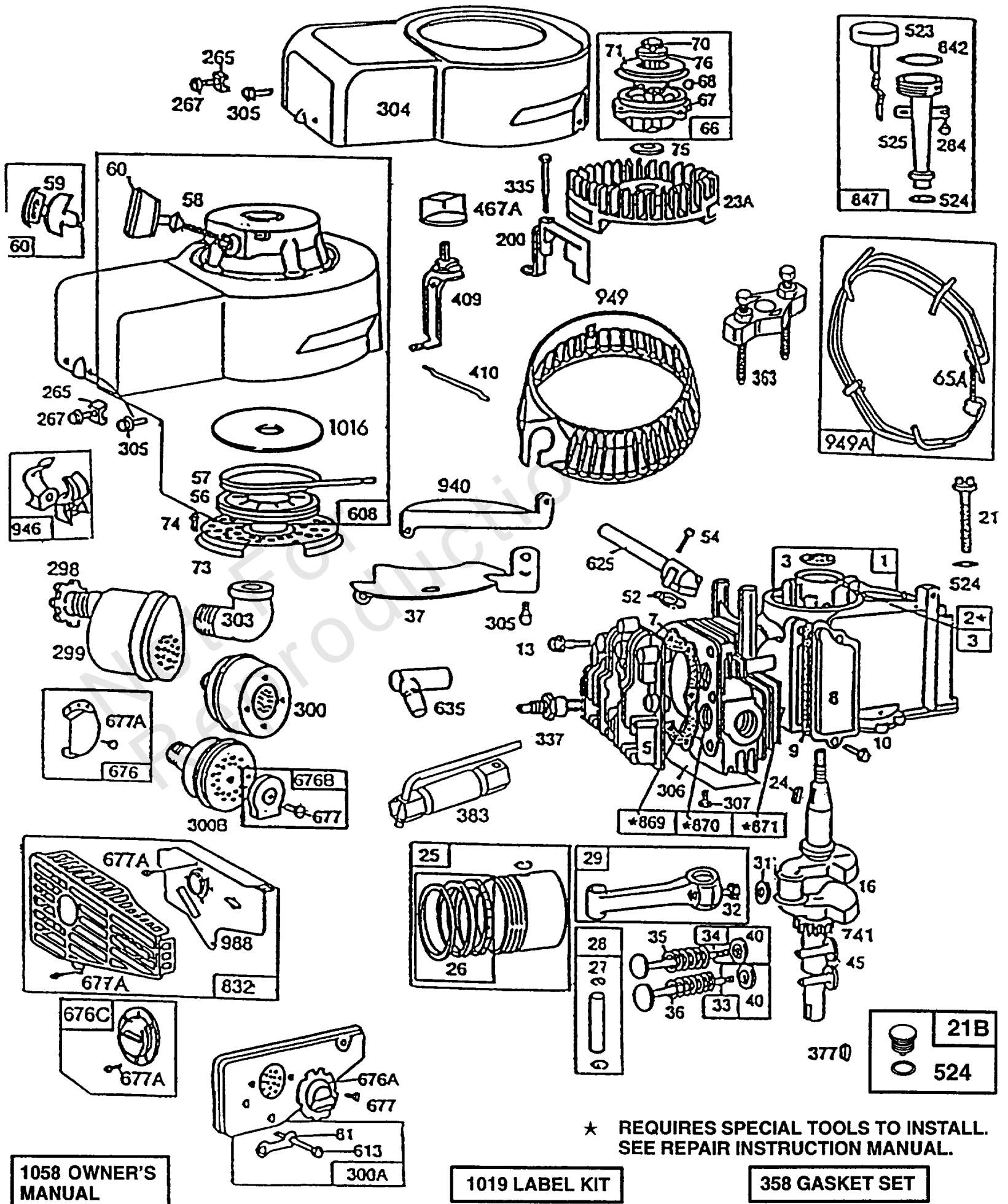


Cylinder, Mufflers, Piston Grp

REF NO	PART NO	QTY	DESCRIPTION
33	262581		VALVE, Exhaust -Used After Code Date 90071500
33	296676		VALVE, Exhaust -(Grooved Stem-Includes Retainer)
34	296677		VALVE, Intake -(Grooved stem-includes Retainer)
35	260552		SPRING, Valve -(Exhaust)
36	262750		SPRING, Valve -(Exhaust) -Used After Code Date 90071500
36	26478		SPRING, Valve -(Exhaust)
37	223150		GUARD, Flywheel -(Muffler Side)
40	230126		PIN, Retainer
40	292259		RETAINER, Valve -(Exhaust)
40	491442		RETAINER, Valve -(Exhaust) -Used After Code Date 90071500
40	93312		RETAINER, Valve -(Valves With Groove In Stem)
45	230173		TAPPET, Valve
52	270345		GASKET, Intake -Included in Gasket Set-Part No. 298989
54	93485		SCREW
56	280439		PULLEY, Rope Starter
57	490179		SPRING-REWIND STR
58	280399		ROPE, Starter -(Cut To Required Length) If Longer Rope is Needed, Order Part and Cut to Required Length.
58	66734		ROPE, Starter -(48-5/8)
59	396892		INSERT-GRIP
60	393152		GRIP-STARTER ROPE
65A	94124		SCREW
66	399671		CLUTCH-STARTER -(Uses Rubber Coated Retainer Washer-Ref. 71)
67	394897		HOUSING, Clutch
68	63770		BALL, Clutch
70	298799		RATCHET, Clutch -(engine W/Ring Gear on FW equipped for Elec Start)
71	394506		COVER, Ratchet -(Rubber Coated)
73	221661		SCREEN, Rotating -(Rewind Starter)
74	93758		SCREW -(Rotating Screen)
75	224061		WASHER -(5/8 Hole)
76	68238		SEAL, Ratchet
81	223256		LOCK, Rod Screw
200	68388		BLADE, Governor
265	22372		CLAMP, Casing

Footnotes:

To Replace Crankshaft Gear Pin-Order Part No. 230978

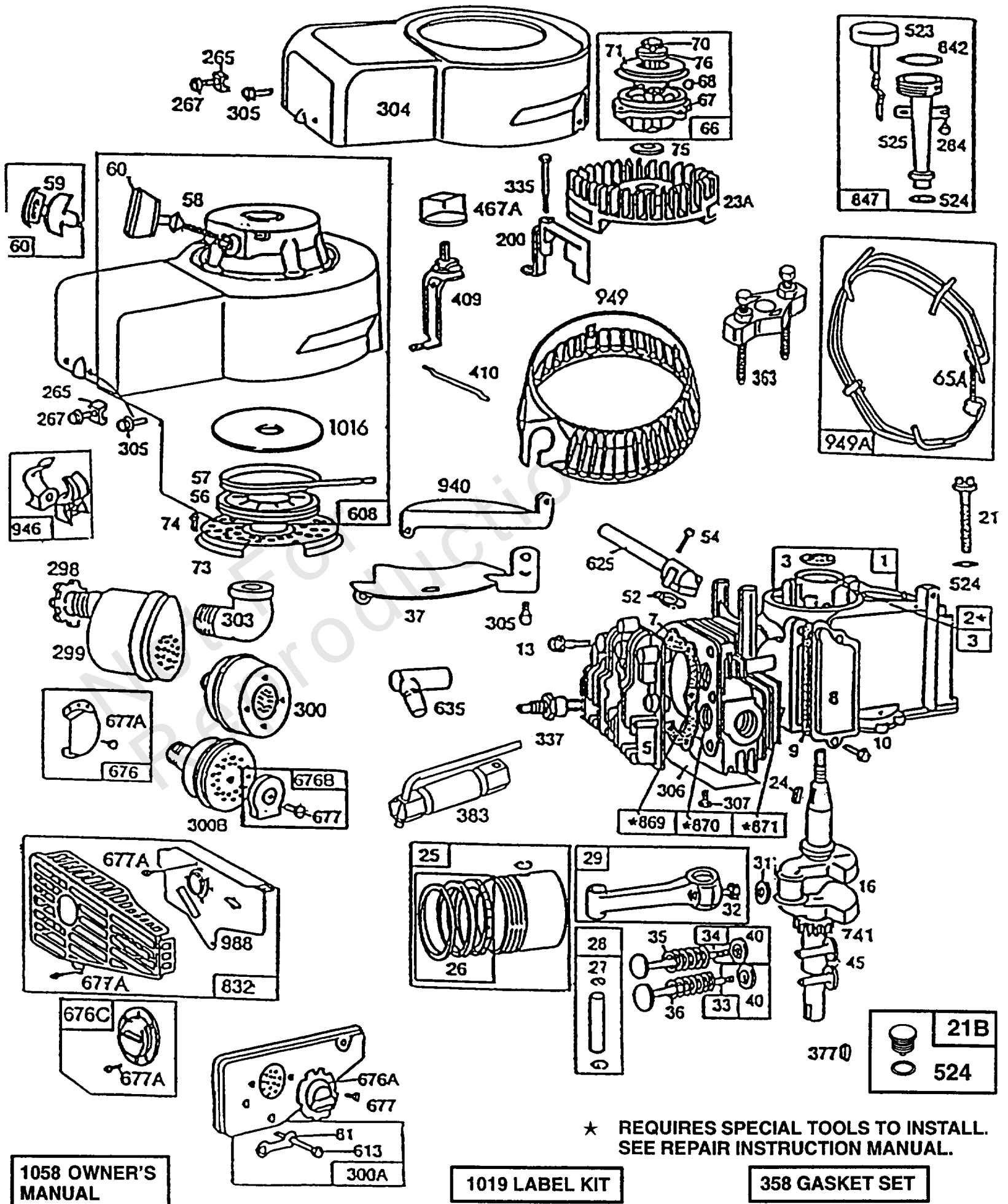


Cylinder, Mufflers, Piston Grp

REF NO	PART NO	QTY	DESCRIPTION
267	93469		SCREW
284	94073		SCREW
298	220859		LOCKNUT -(Muffler and Elbow)
299	493288		MUFFLER -(Lo Tone)
300B	298830		MUFFLER -(2 1/2 O.D.)
300A	394644		MUFFLER
300	394569		MUFFLER -(Lo Tone)
304	223188		HOUSING, Blower -(Vertical Pull Starter)
305	94153		SCREW
306	221805		SHIELD, Cylinder
307	93490		SCREW -(Rotating Screen)
335	93435		SCREW
337	293918		PLUG, Spark
337	29693		PLUG, Spark
337	298809		PLUG, Spark
337	492167		PLUG, Spark
337	802592		PLUG, Spark -(Resistor)
358	298989		GASKET SET, Engine
363	19069		PULLER, Flywheel
377	93065		KEY, Woodruff -(#6)
383	89838		WRENCH, Spark Plug
409	299839		CONTROL, Speed
410	260993		LINK, Control
467A	299858		KNOB, Control
523	396372		DIPSTICK/CAP ASSEMBLY
524	271485		SEAL, O-Ring -(Oil Fill) Included in Gasket Set-Part No. 298989
525	280382		TUBE, Dipstick -Used Before Code Date 85060300
525	280578		TUBE, Dipstick -Used After Code Date 85060200
608	397228		STARTER, Rewind -(12 O'clock) (82 Rope)
613	93935		SCREW -(Muffler)
625	298775		MANIFOLD, Intake
635	66538		BOOT, Spark Plug
676B	393755		DEFLECTOR, Muffler -(Side Outlet)
676C	396548		DEFLECTOR, Muffler
676A	393756		DEFLECTOR, Muffler -(Side Outlet)
676	393760		DEFLECTOR, Muffler
677A	93705		SCREW -(8-32 X 3/8)

Footnotes:

To Replace Crankshaft Gear Pin-Order Part No. 230978

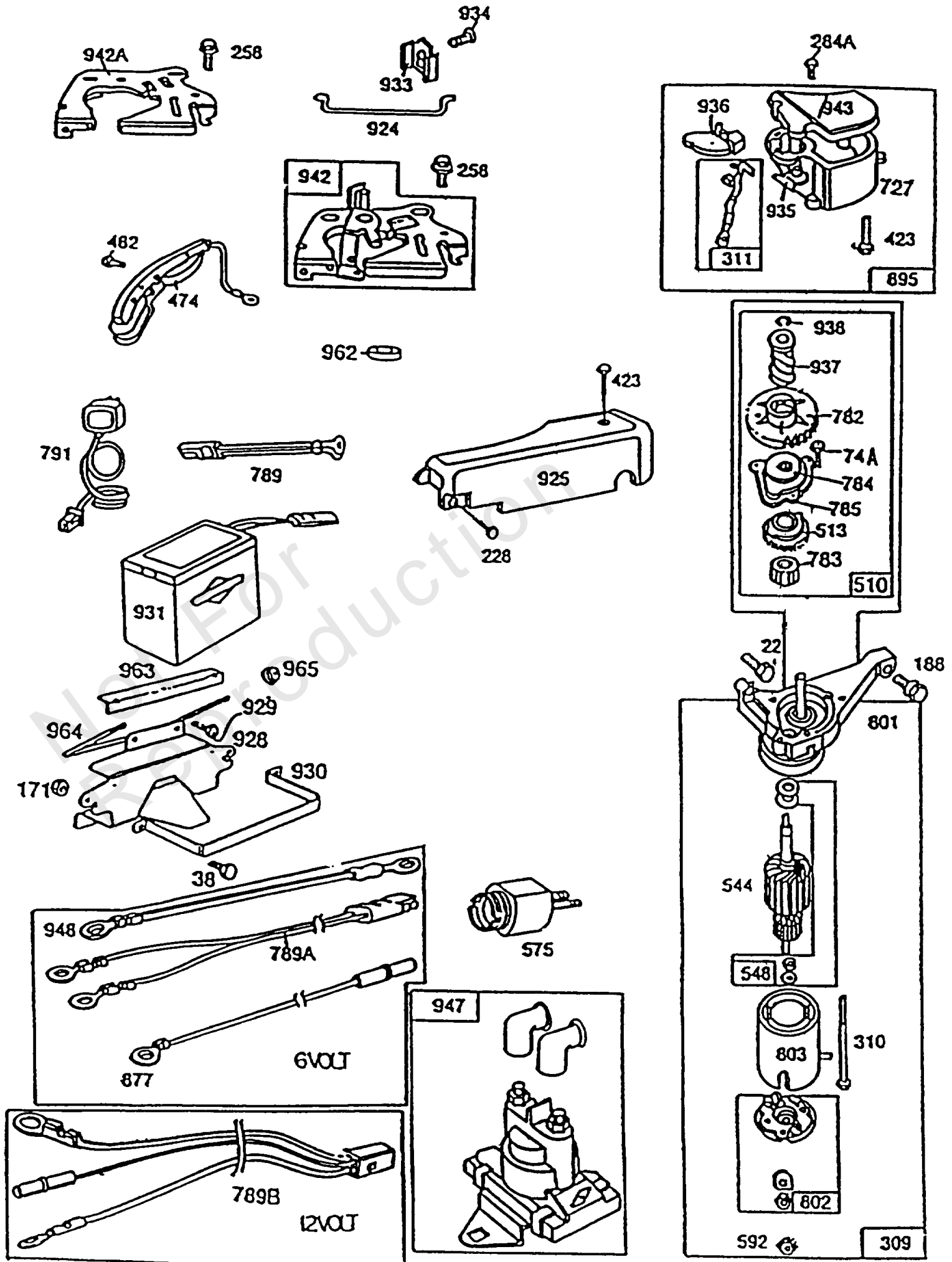


Cylinder,Mufflers,Piston Grp

REF NO	PART NO	QTY	DESCRIPTION
677	93606		SCREW
741	261533		GEAR, Timing -(Plain Bearing 2 Piece Crankshaft)
832	493967		GUARD, Muffler
842	270920		SEAL, O-Ring -(Dipstick Tube) (Oil Fill)
847	395869		TUBE, Dipstick -Used Before Code Date 85060300
847	399030		TUBE, Dipstick -Used After Code Date 85060200
869	210879		SEAT, Valve -(Intake) -Used Before Code Date 88070100
869	211172		SEAT, Valve -(Intake) -Used After Code Date 88063000
870	211291		SEAT, Valve -(Exhaust)
871	231348		BUSHING-VALVE GUIDE -(Exhaust)
871	63709		BUSHING, Valve Guide -(Intake)
940	222403		GUARD, Flywheel -Used Before Code Date 92110200
940	224819		GUARD, Flywheel -(Carburetor Side) -Used After Code Date 92110100
946	396526		GUIDE, Rope
949A	396579		GUARD, Debris Screen -(Includes Mounting Hardware)
949	280684		GUARD, Rewind
988	223600		BRACKET, Muffler
1016	490817		SPACER-REWIND -(Rewind)
1019	491082		KIT, Label
1058	271360		MANUAL, Operator's

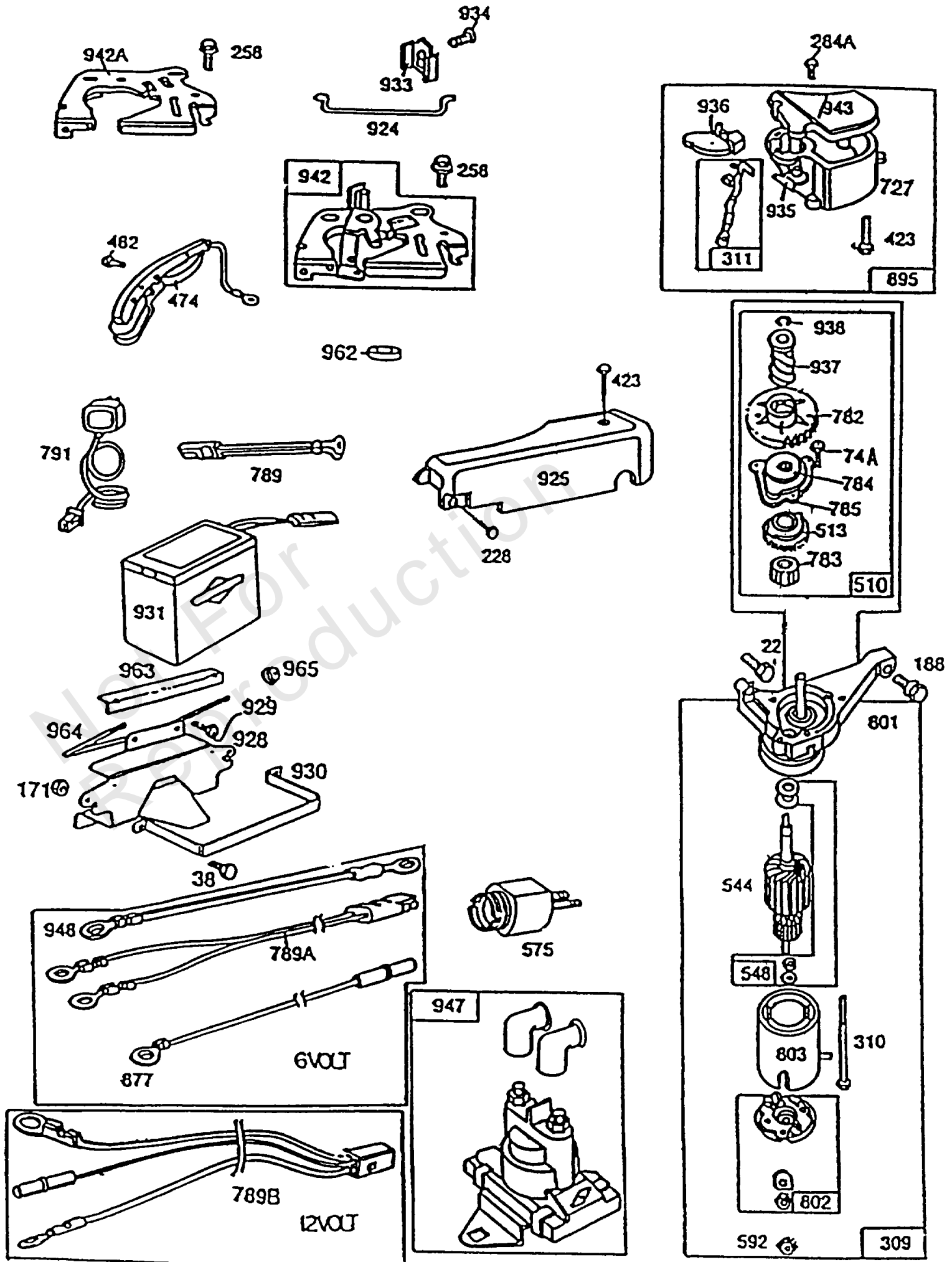
Footnotes:

To Replace Crankshaft Gear Pin-Order Part No. 230978



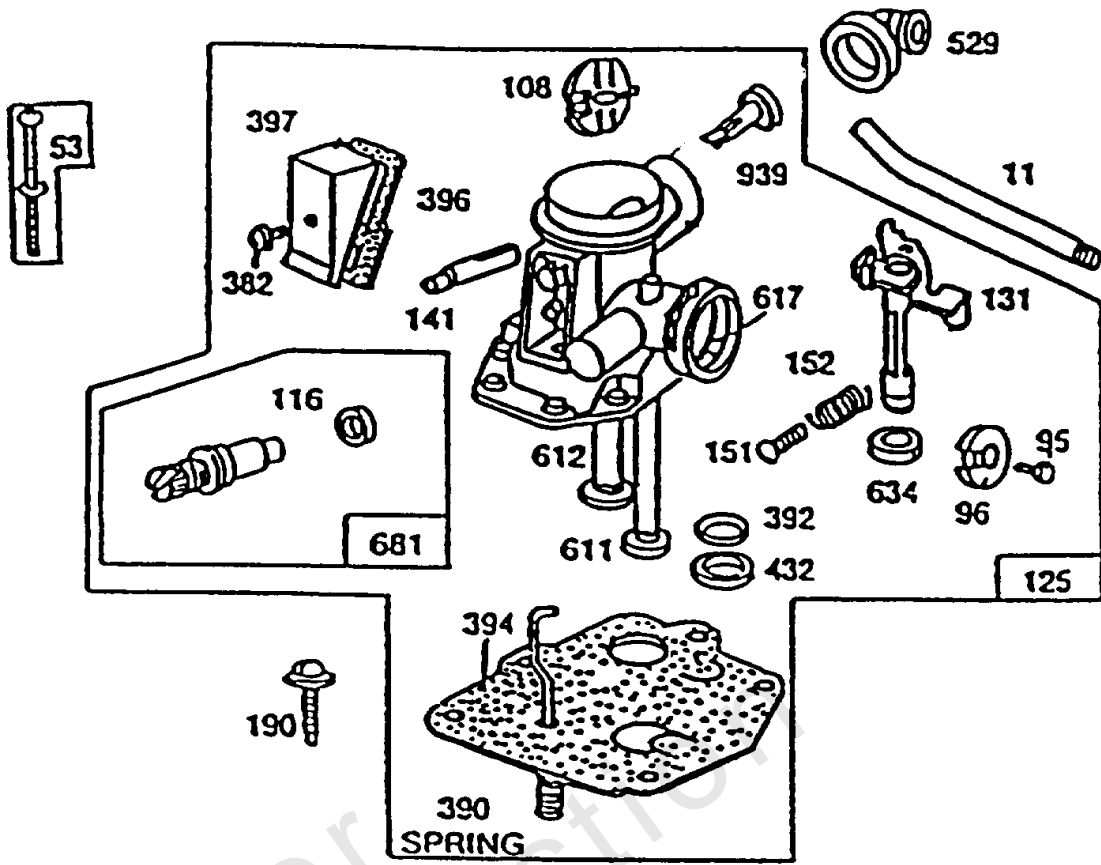
Electric Start, Misc. Elect.

REF NO	PART NO	QTY	DESCRIPTION
22	93032		SCREW -(Fuel Tank) (Tank)
38	93777		SCREW
74A	93490		SCREW -(Rotating Screen)
171	93203		NUT
188	93585		SCREW -(Crankcase Cover)
228	93490		SCREW -(Rotating Screen)
258	94018		SCREW
284A	93892		SCREW
309	396384		MOTOR, Starter -(6 Volt) -Used Before Code Date 82040100
309	396439		MOTOR, Starter -(6 Volt)
309	397863		MOTOR, Starter -(12 Volt) (White Insulator) Identified by White Ground Insulator
310	94051		SCREW
311	395728		SET, Brush
423	94026		SCREW
474	397880		ALTERNATOR
482	94016		SCREW
510	395727		DRIVE, Starter
513	394815		CLUTCH, Starter -Included in Starter Drive Kit-Part No. 395727
544	396058		ARMATURE, Starter -(6 Volt)
544	398636		ARMATURE, Starter -(12 Volt)
548	396067		WASHER -(Starter Motor)
575	396291		SWITCH, Starting -Use(s): 392832 Keyset
592	93991		NUT -(10-24)
727	280336		GUARD, Flywheel
782	280038		GEAR, Starter Drive -Included in Starter Drive Kit-Part No. 395727
783	261606		GEAR, Starter Drive -Included in Starter Drive Kit-Part No. 395727
784	223123		COVER, Gear -Included in Starter Drive Kit-Part No. 395727
785	271457		GASKET, Gear Cover/Housing -Included in Starter Drive Kit-Part No. 395727
789B	397916		HARNESS, Wiring -(Non Compliance Engines)
789A	396393		HARNESS, Wiring -(Use With Solenoid) (6 Volt)
789	395602		HARNESS, Wiring -(14, For Remote Mount Battery)
789	395624		HARNESS, Wiring -(4-1/2) (4 1/2)
789	493357		ADAPTER, Charger -(With 493359 Battery)
791	395569		CHARGER, Battery -(120 Volt) (6 Volt Battery)

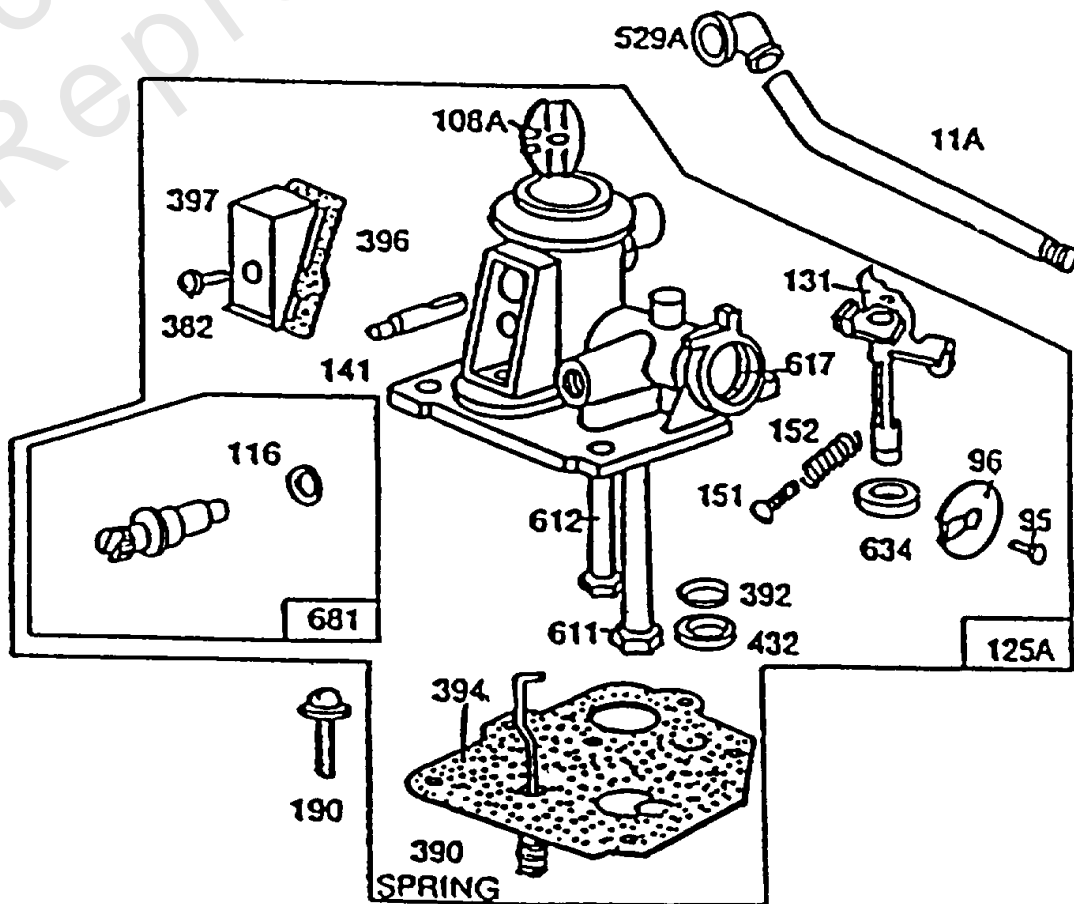


Electric Start, Misc. Elect.

REF NO	PART NO	QTY	DESCRIPTION
791	395585		CHARGER, Battery -(240 Volt) (6 Volt Battery)
801	395851		CAP, Drive
801	396387		CAP, Drive -Used Before Code Date 82040100
802	396061		CAP, End
803	396059		HOUSING, Starter
877	396485		WIRE/CONNECTOR, Alternator -(Alternator To Solenoid)
895	394767		SWITCH, Starting
924	261651		LINK, Starter Switch
925	280363		COVER, Linkage
928	223162		BRACKET, Battery
929	93980		SCREW -(Fuel Tank) (Tank)
930	223161		BRACKET, Support
931	493359		BATTERY -(6 Volt) Use(s): 493357 Adapter-Charger
933	223278		SPACER -(Used on Engines Without Band Brake)
934	94037		SCREW
935	223128		SWITCH, Interlock
936	280338		SWITCH, Actuator
937	280366		SPLINE, Starter -Included in Starter Drive Kit-Part No. 395727
938	93941		RETAINER, E Ring -Included in Starter Drive Kit-Part No. 395727
942A	224331		BRACKET, Brake
942	493239		BRACKET, Brake -(Non Compliance Engines)
943	280322		COVER, Starter
947	396483		SOLENOID, Fuel
948	396261		HARNESS, Wiring -(6 Volt) (8)
948	396553		WIRE ASSEMBLY -(14)
962	231277		BUSHING, Alternator
963	223502		STRAP, Battery Support
964	94107		BOLT
965	94108		NUT



121 CARBURETOR KIT



THERMOSTATICALLY CONTROLLED

Pulsa Prm & Pulsa Jet Carbs.

REF NO	PART NO	QTY	DESCRIPTION
11A	230802		TUBE, Breather
11	231272		TUBE, Breather
53	391982		SCREW -(Tank)
95	93499		SCREW -(Throttle Valve)
96	211237		VALVE, Throttle
108A	280178		VALVE, Choke
108	280370		VALVE, Choke
108	280429		VALVE, Choke -Used After Code Date 83110604
116	280203		SEAL, O-Ring -Included in Carburetor Kit-Part No. 494623
121	494623		KIT, Carburetor Overhaul
125A	395957		CARBURETOR
125	395957		CARBURETOR
131	299977		SHAFT, Throttle
141	68908		SHAFT, Choke
151	93524		SCREW -(5-40 X 1/2)
152	260746		SPRING, Throttle Return
190	93440		SCREW
382	93545		SCREW
390	261249		SPRING, Diaphragm
392	260455		SPRING, Pump Diaphragm
394	391681		DIAPHRAGM, Carburetor -Included in Carburetor Kit-Part No. 494623
396	270571		GASKET, Choke Cover -Included in Carburetor Kit-Part No. 494623
397	211678		COVER, Choke Link
432	221377		CAP, Spring
529A	67838		GROMMET
529	280368		GROMMET -(Breather)
611	297219		TUBE, Pick Up -(2 5/8)
612	296811		TUBE, Pick Up
617	270344		SEAL, O-Ring -(Intake Manifold) Included in Carburetor Kit-Part No. 494623
634	270167		SEAL, Choke/Throttle Shaft -(Felt)
681	395508		VALVE, High Speed -(Nylon Body) Included in Carburetor Kit-Part No. 494623
939	395665		SHAFT, Auto Choke -(Includes Spring)

Replacement Engine - Europe, Middle East & Africa

REF NO	PART NO	QTY	DESCRIPTION
	398213		Replacement Short Block
	-----		Service Note: REPAIR ORIGINAL ENGINE WITH SPARE PARTS

Not For Reproduction

Replacement Engine - US & Canada

REF NO	PART NO	QTY	DESCRIPTION
	9P7020116	1	Replacement Engine
	-----		Top No-Load Speed: 3500 -Trim: ALL
	-----		Service Note: If the replacement engine supersedes to or is a Model 93J00 series engine, refer to the illustrations located after the conversion data for this model series. The overall dimensions that differ, are shown in the illustrations.
	-----		If after making a visual inspection and it is determined the Model 93J00 series engine cannot be used because of equipment interference, the original engine should be repaired with individual parts.

Not For Reproduction

