

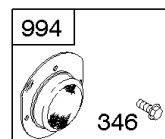
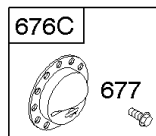
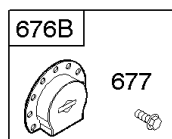
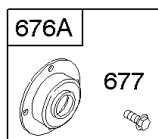
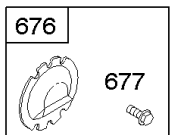
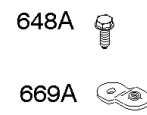
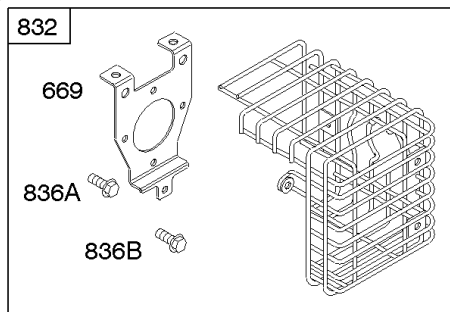
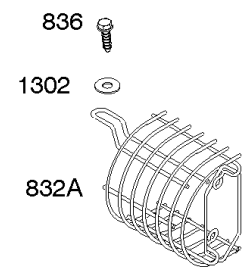
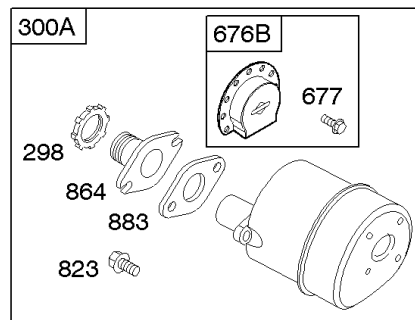
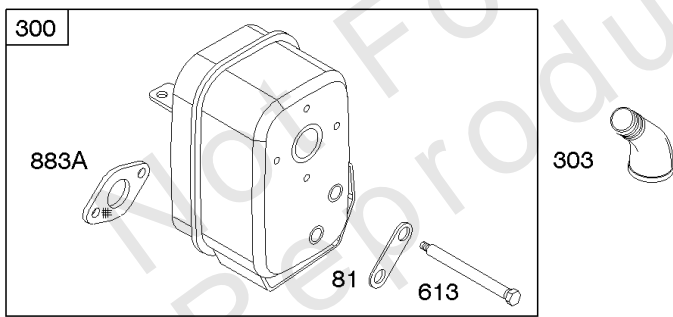
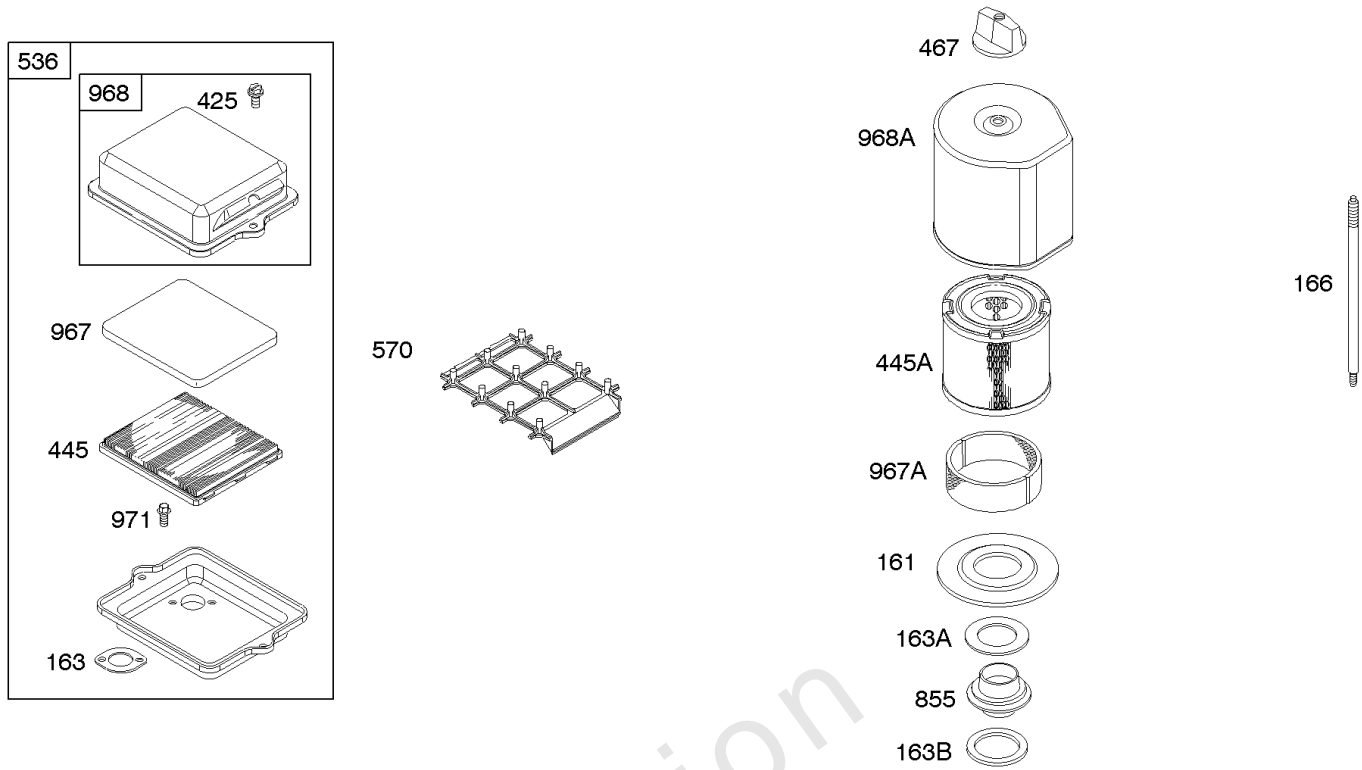


Parts Manual

Mfg. No: 091202-1354-E1

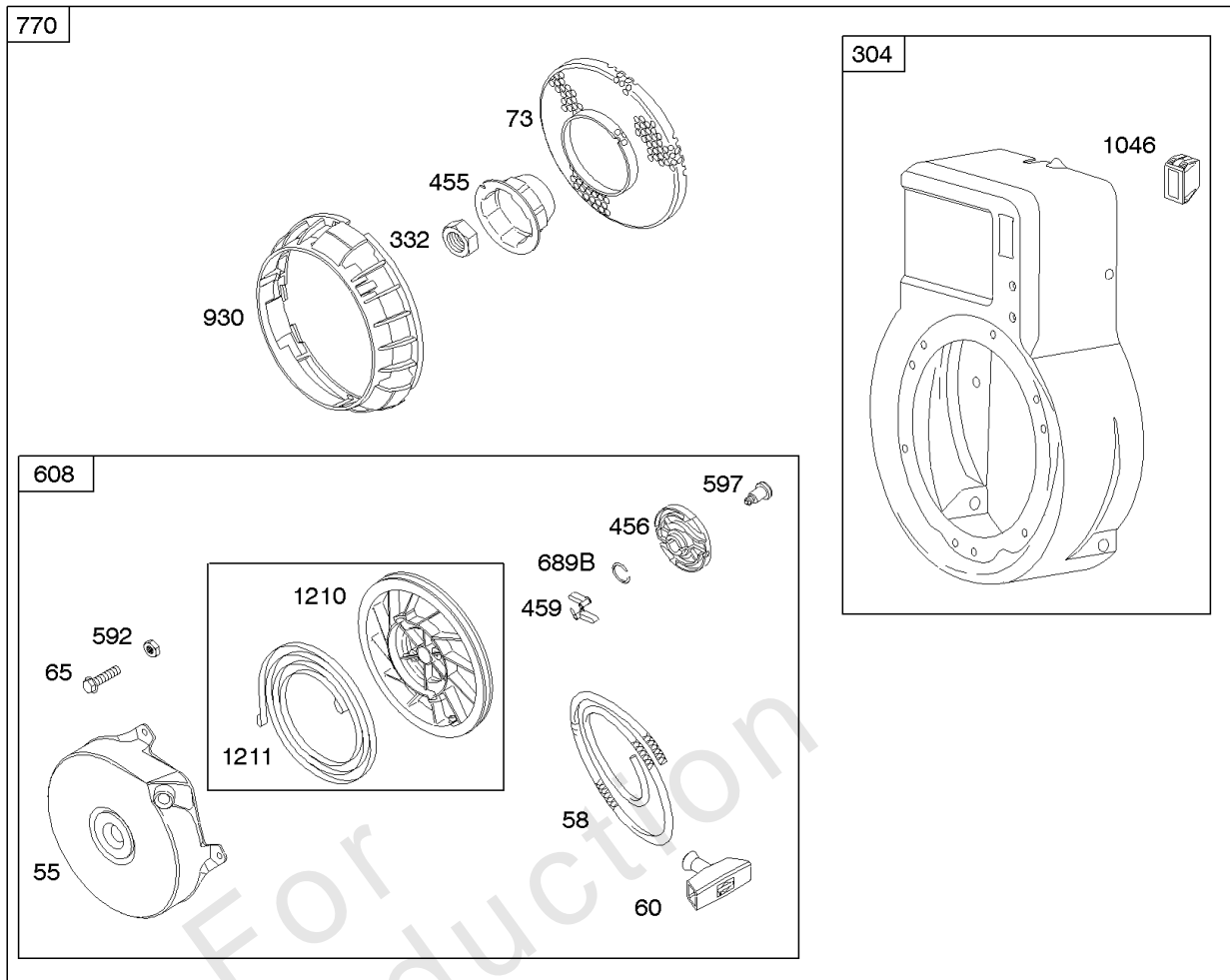
Model Components	Page
Air Cleaner, Exhaust System.	4
Blower Housing/Shrouds, Rewind Starter/Blower Housing.	6
Camshaft, Crankcase Cover/Sump, Crankshaft, Piston/Rings/Connecting Rod.	8
Camshaft, Cylinder, Cylinder Head, Gasket Sets, Operator's Manual, Repair Manual, Warning Label.	14
Carburetor, Carburetor Overhaul Kit, Fuel Supply.	18
Controls, Governor Spring, Ignition.	22
Flywheel, Rewind Starter.	26
Gear Reduction.	28
Replacement Engine - US & Canada.	30

Not For
Reproduction

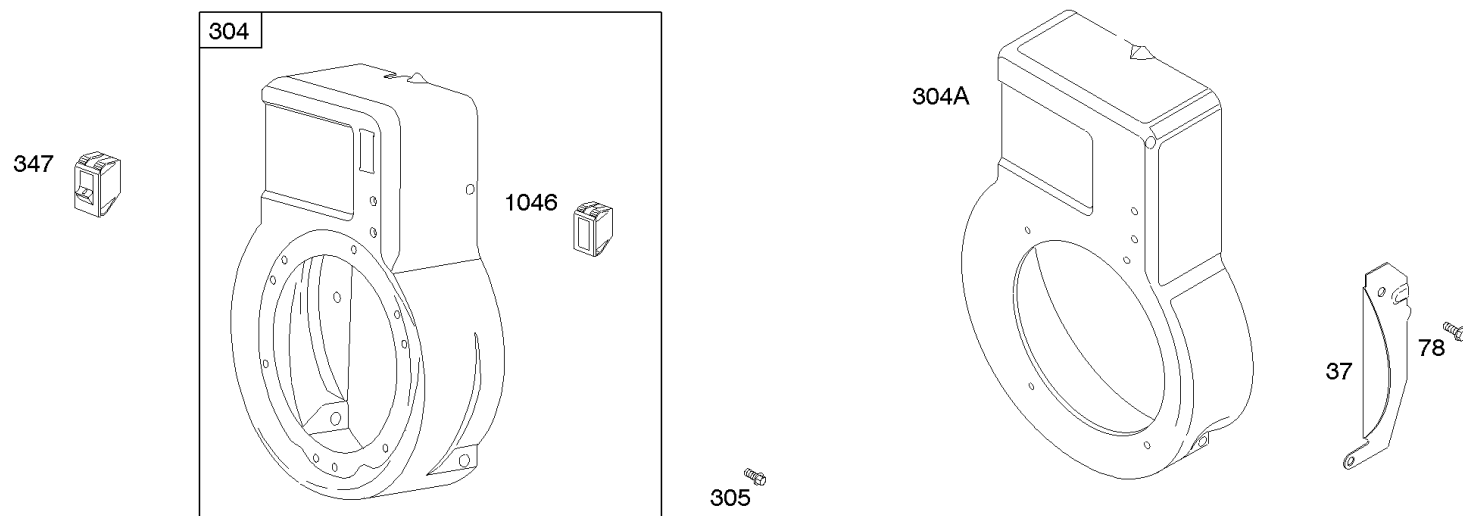


Air Cleaner, Exhaust System

REF NO	PART NO	QTY	DESCRIPTION
81	691179		LOCK, Muffler Screw
163	271935S		GASKET, Air Cleaner -(Air Cleaner)
298	691720		LOCKNUT-MUFF/ELBOW -(Muffler and Elbow)
300	691360		MUFFLER
300A	493288		MUFFLER -(Lo Tone)
303	690291		ELBOW-EXHAUST
346	690661		SCREW -(Spark Arrestor)
425	694515		SCREW -(Air Cleaner Cover)
445	491588S		FILTER, A/C Cartridge
445A	396424S		FILTER, A/C Cartridge
467	691668		KNOB, Air Cleaner Cover
536	494279		CLEANER-AIR
613	691632		SCREW -(Muffler)
648	690661		SCREW -(Muffler Guard Bracket) (13/16" Long)
648A	690664		SCREW -(Muffler Guard Bracket) (13/32)
669	690427		BRACKET, Muffler Guard
669A	691194		BRACKET, Muffler Guard
676	393756		DEFLECTOR, Muffler -(Side Outlet)
676A	397931		DEFLECTOR, Muffler
676B	393760		DEFLECTOR, Muffler
676C	396548		DEFLECTOR, Muffler
677	690661		SCREW -(Muffler Deflector)
823	692336		SCREW -(Muffler Adapter)
832	490571		GUARD, Muffler
832A	690789		GUARD-MUFFLER
836	690367		SCREW -(Muffler Guard) (19/32)
836A	690661		SCREW -(Muffler Guard) (13/32" Long)
836B	691683		SCREW -(Muffler Guard) (1/3)
855	690599		ADAPTER, Air Cleaner
864	690776		ADAPTER, Muffler
883	691314		GASKET, Exhaust
967	491435S		FILTER, Pre Cleaner
967A	271466		FILTER, Pre Cleaner
968	692321		COVER, Air Cleaner
968A	493822		COVER, Air Cleaner
971	690370		SCREW -(Air Cleaner Base) (Remote Choke)
994	398067		ARRESTOR-SPARK
1302	691186		WASHER -(Muffler Guard)

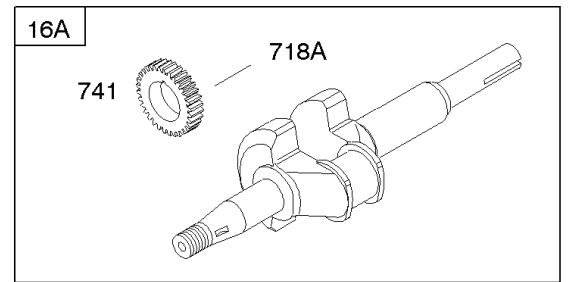
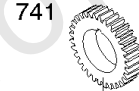
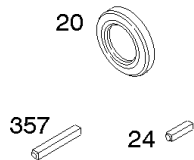
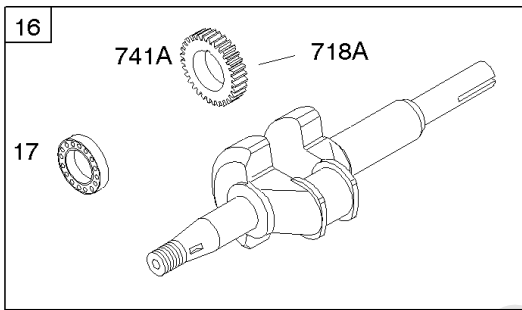
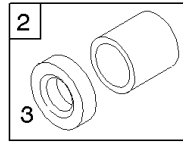
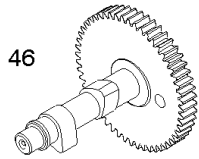
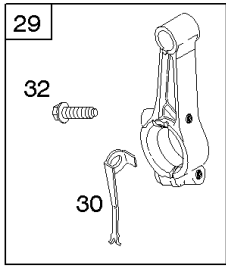
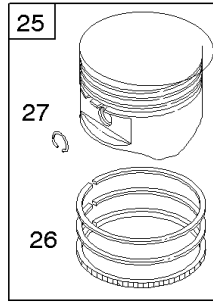
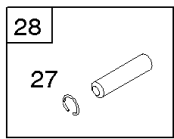


1036 EMISSIONS LABEL



Blower Housing/Shrouds, Rewind Starter/Blower Housing

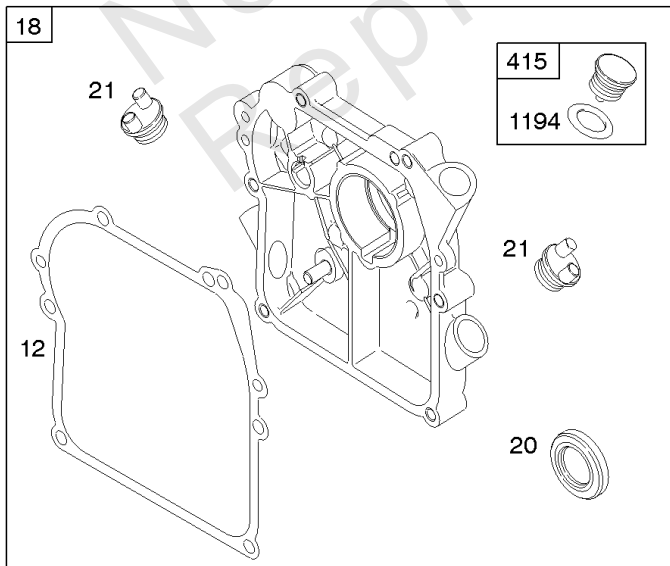
REF NO	PART NO	QTY	DESCRIPTION
37	690463		GUARD, Flywheel
55	692144		HOUSING, Rewind Starter
58	691921		ROPE, Starter -(70)
60	691915		GRIP, Starter Rope
65	690837		SCREW -(Rewind Starter)
73	699850		SCREEN, Rotating -Used After Code Date 02060200
78	690364		SCREW -(Flywheel Guard)
304	692622		HOUSING-BLOWER
305	692198		SCREW -(Blower Housing)
332	690662		NUT -(Flywheel)
347	691396		SWITCH, Rocker
455	691236		CUP, Flywheel
456	692299		PLATE-PAWL FRICTION
459	281505S		PAWL-RATCHET
592	690800		NUT -(Rewind Starter)
597	691696		SCREW -(Pawl Friction Plate)
608	690101		STARTER, Rewind -(70 Rope)
689B	691855		SPRING-FRICTION -(Rewind Starter)
770	690098		STARTER, Rewind -Used Before Code Date 95072400
930	691348		GUARD, Rewind
1036	-----		Label-Emissions -(Available From A Briggs & Stratton Authorized Dealer)
1046	691337		PLUG, Blower Housing
1210	499901		PULLEY/SPRING ASSY -(Pulley)
1211	499901		PULLEY/SPRING ASSY -(Spring)



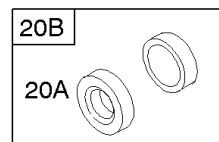
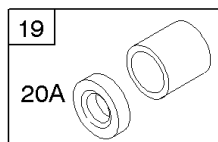
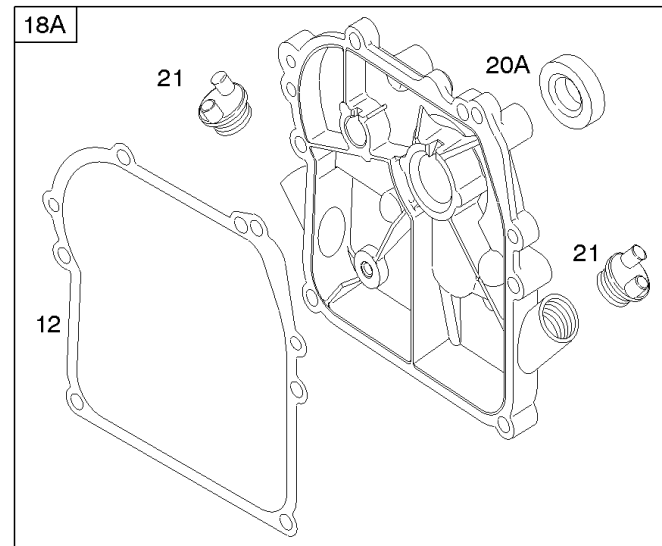
Timing Mark is a Circle

Timing Mark is an Oval

BALL BEARING

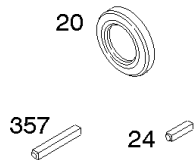
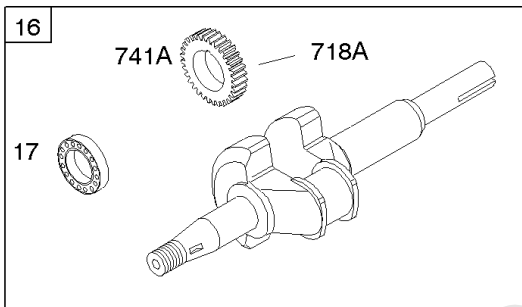
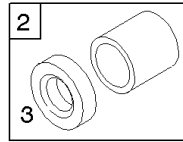
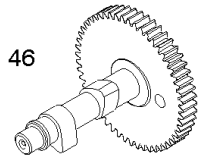
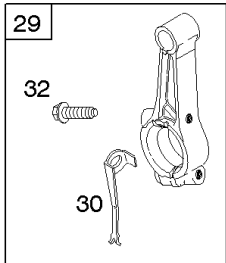
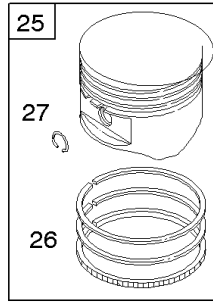
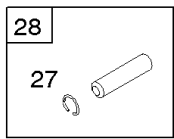


PLAIN BEARING

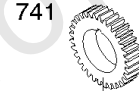


Camshaft, Crankcase Cover/Sump, Crankshaft, Piston/Rings/Connecting Rod

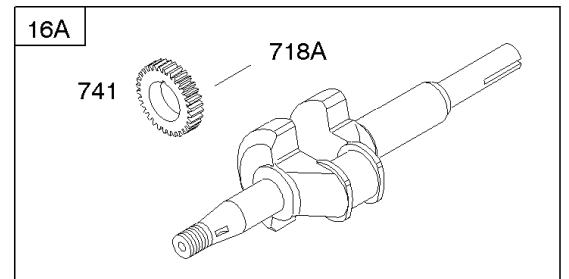
REF NO	PART NO	QTY	DESCRIPTION
2	399269		KIT, Bushing/Seal -(Magneto Side)
3	299819S		SEAL, Oil -(Magneto Side)
12	270895		GASKET, Crankcase -(.005)
12	270896		GASKET, Crankcase -(.009)
12	692218		GASKET, Crankcase -(.015)(Standard)
16A	793153		CRANKSHAFT
17	690824		BEARING-BALL
18	497502		COVER, Crankcase -(Ball Bearing) -Used Before Code Date 05110900
18	792232		COVER, Crankcase -(Ball Bearing) -Used After Code Date 05110800
18A	699406		COVER, Crankcase -(Plain Bearing)
19	399269		KIT, Bushing/Seal -(PTO Side)
20	692020		SEAL, Oil -(PTO Side) (Ball Bearing)
20A	299819S		SEAL, Oil -(PTO Side) (Plain Bearing Cover)
21	281658S		CAP-OIL FILL
22	691129		SCREW -(Crankcase Cover/Sump) (1 1/4" Long)
24	222698S		KEY, Flywheel
25	298906		PISTON ASSEMBLY -(.020 Oversize) -Used Before Code Date 96012900
25	298907		PISTON ASSEMBLY -(.030 Oversize) -Used Before Code Date 96012900
25	790908		PISTON ASSEMBLY -(Standard) -Used After Code Date 96012800 -Used Before Code Date 07073000
25	792532		PISTON ASSEMBLY -(.020 Oversize) -Used After Code Date 96012800 -Used Before Code Date 07073000
25	793214		PISTON ASSEMBLY -(Standard) -Used Before Code Date 96012900
25	795131		PISTON ASSEMBLY -(Standard) -Used After Code Date 07072900 -Used Before Code Date 08021300
25	795689		PISTON ASSEMBLY -(.020 Oversize) -Used After Code Date 07072900
25	795691		PISTON ASSEMBLY -(Standard) -Used After Code Date 08021200
26	298982		RING SET-STD -(Standard) -Used Before Code Date 96012900
26	298984		RING SET-020 -(.020 Oversize) -Used Before Code Date 96012900



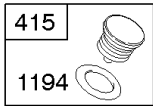
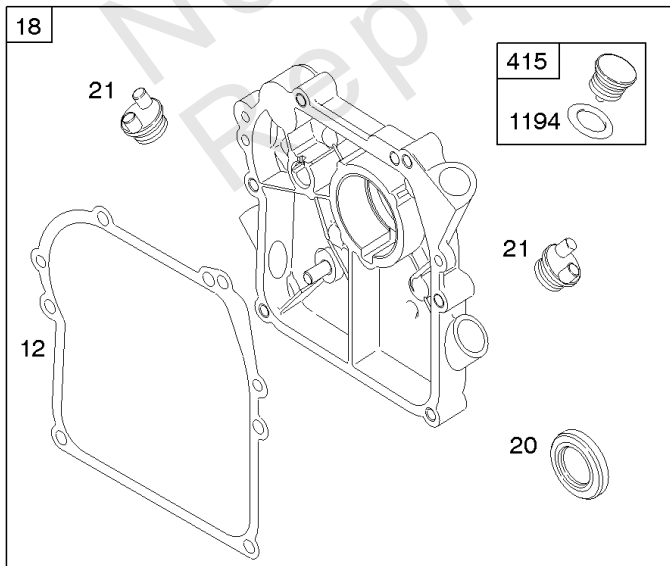
Timing Mark is a Circle



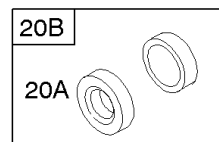
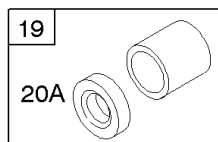
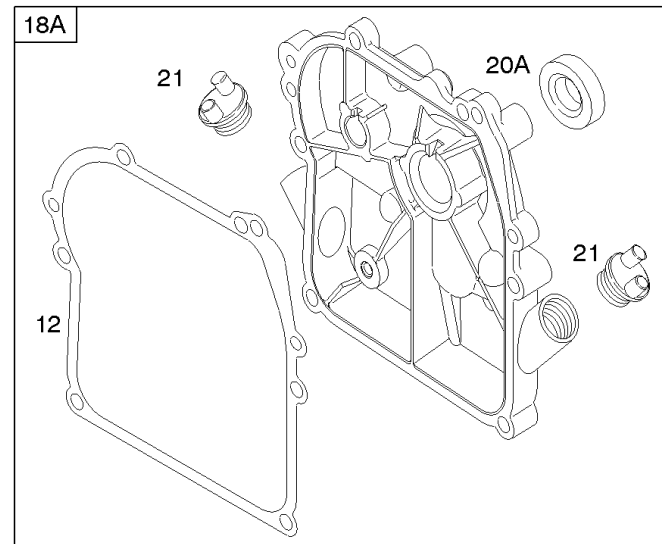
Timing Mark is an Oval



BALL BEARING

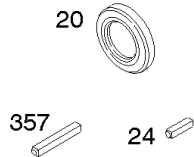
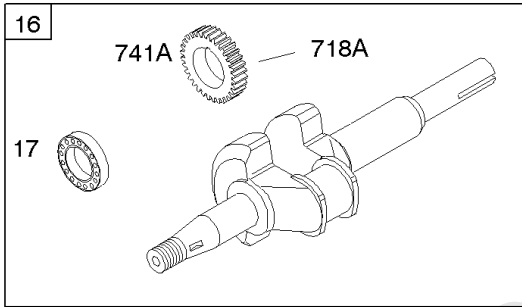
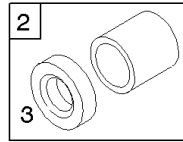
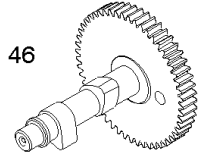
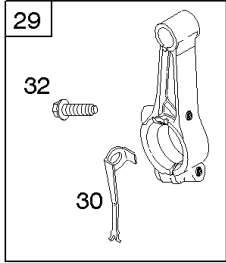
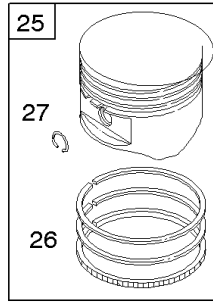
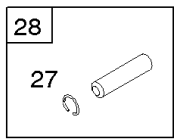


PLAIN BEARING

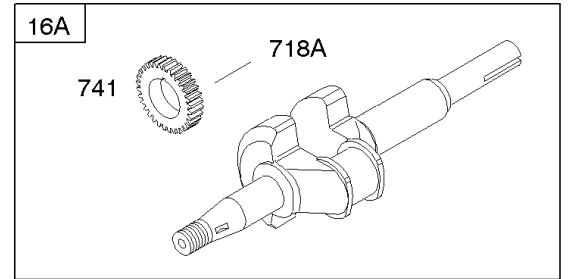


Camshaft, Crankcase Cover/Sump, Crankshaft, Piston/Rings/Connecting Rod

REF NO	PART NO	QTY	DESCRIPTION
26	498680		RING SET-STD -(Standard) -Used After Code Date 96012800 -Used Before Code Date 99110100
26	498682		SET, Ring -(.020 Oversize) -Used After Code Date 96012800 -Used Before Code Date 99110100
26	498683		SET, Ring -(.030 Oversize) -Used After Code Date 96012800 -Used Before Code Date 99110100
26	695169		SET, Ring -(Standard) -Used After Code Date 99103100 -Used Before Code Date 05051900
26	695171		SET, Ring -(.010 Oversize) -Used After Code Date 99103100 -Used Before Code Date 05051900
26	695172		SET, Ring -(.020 Oversize) -Used After Code Date 99103100 -Used Before Code Date 05051900
26	790909		SET, Ring -(Standard) -Used After Code Date 05051800 -Used Before Code Date 07073000
26	795132		SET, Ring -(Standard) -Used After Code Date 07072900 -Used Before Code Date 08021300
26	795134		SET, Ring -(.020 Oversize) -Used After Code Date 05051800 -Used Before Code Date 08021300
26	795688		SET, Ring -(.020 Oversize) -Used After Code Date 08021200
26	795690		SET, Ring -(Standard) -Used After Code Date 08021200
27	691588		LOCK, Piston Pin
28	298908		PIN, Piston -(.005 Oversize) -Used Before Code Date 05051900
28	298909		PIN, Piston -(Standard) -Used Before Code Date 05051900
28	699659		PIN, Piston -(Standard) -Used After Code Date 05051800
29	699655		ROD, Connecting -(Standard)
30	691719		DIPPER, Connecting Rod
32	691664		SCREW -(Connecting Rod)
46	691998		CAMSHAFT
415	691363		PLUG -(Crankcase Cover/Sump)
718A	499047		PIN, Locating -(Crankshaft)
741	791124		GEAR, Timing -[Timing Mark is an Oval {}]

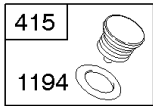
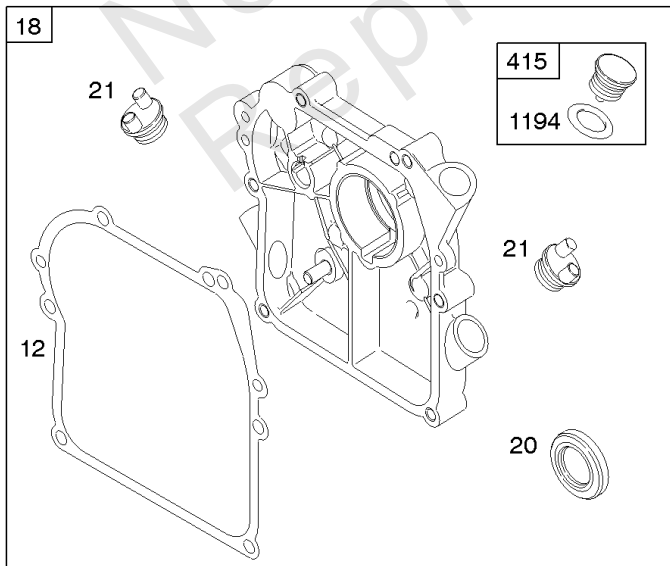


Timing Mark is a Circle

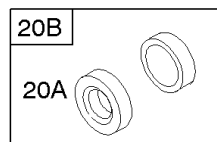
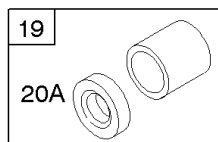
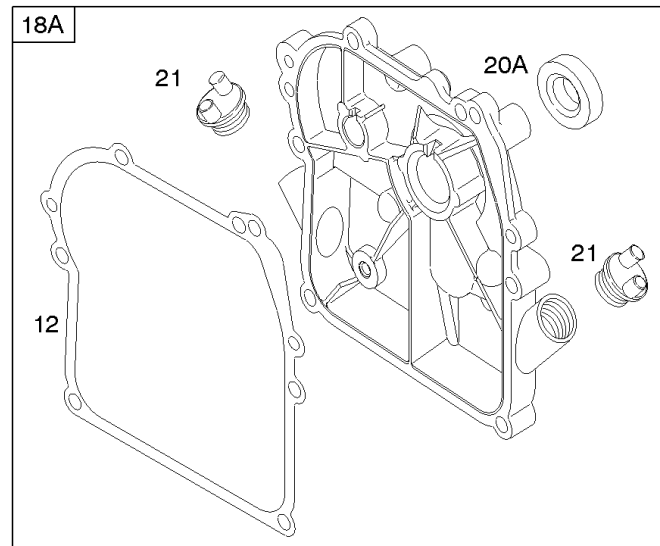


Timing Mark is an Oval

BALL BEARING



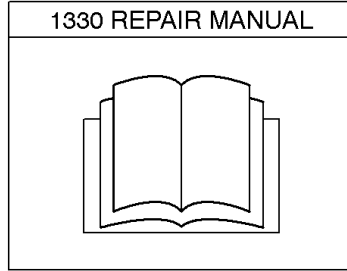
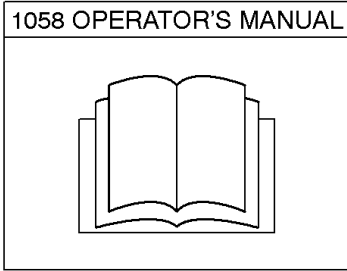
PLAIN BEARING



Camshaft, Crankcase Cover/Sump, Crankshaft, Piston/Rings/Connecting Rod

REF NO	PART NO	QTY	DESCRIPTION
741A	691805		GEAR, Timing -{Timing Mark is a Circle (O)}
1194	691876		SEAL, O-Ring -(Plug)

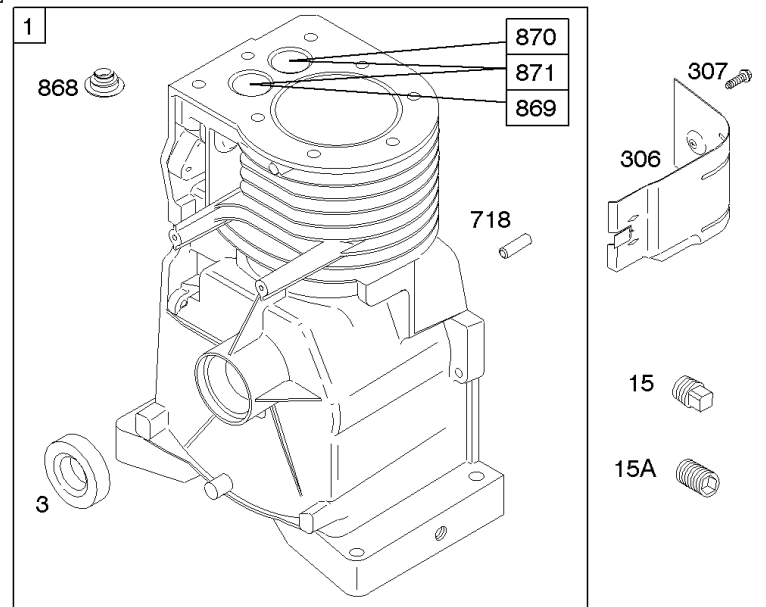
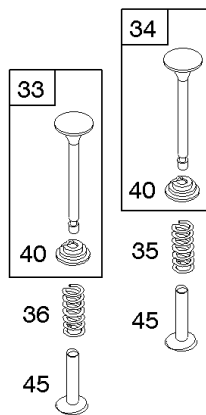
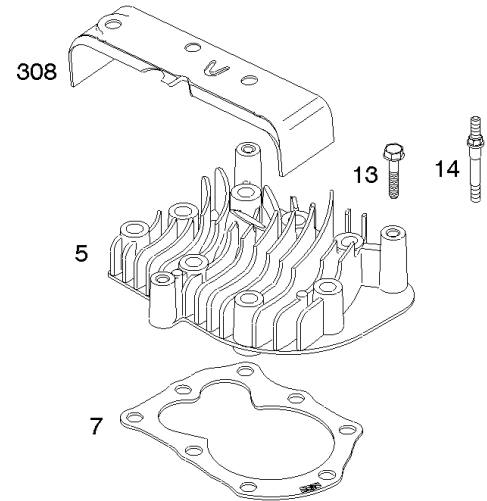
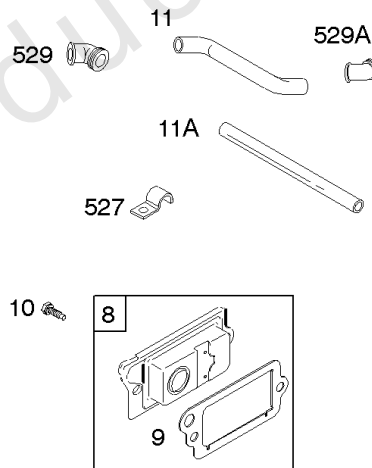
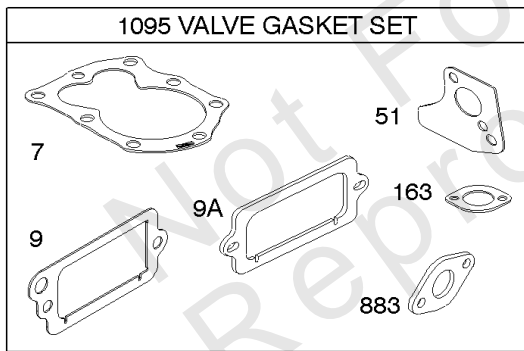
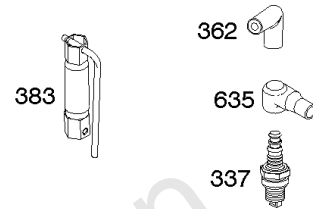
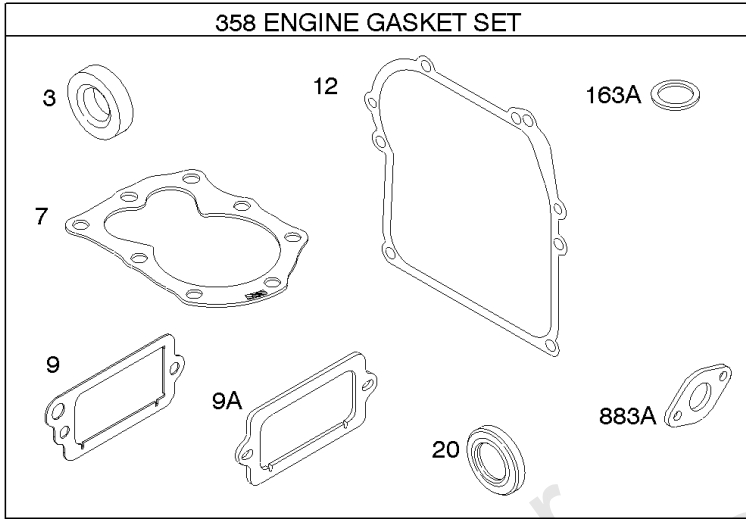
Not For Reproduction



1319 WARNING LABEL

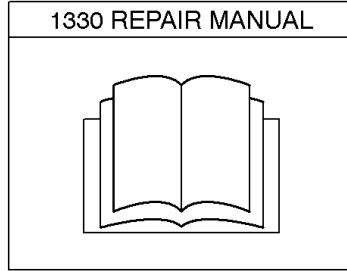
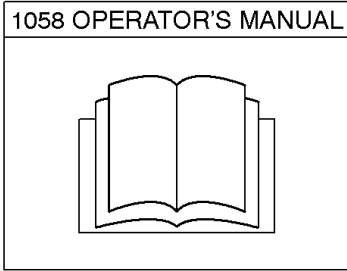
	WARNING
	Read and follow Operating Instructions before running engine.
	Gasoline is flammable. Allow engine to cool at least 2 minutes before refueling.
	Engines emit carbon monoxide, DO NOT run in enclosed area.
	Muffler area temperature may exceed 150°F. Do not touch hot parts.

REQUIRED when replacing parts with warning labels affixed.



Camshaft, Cylinder, Cylinder Head, Gasket Sets, Operator's Manual, Repair Manual,

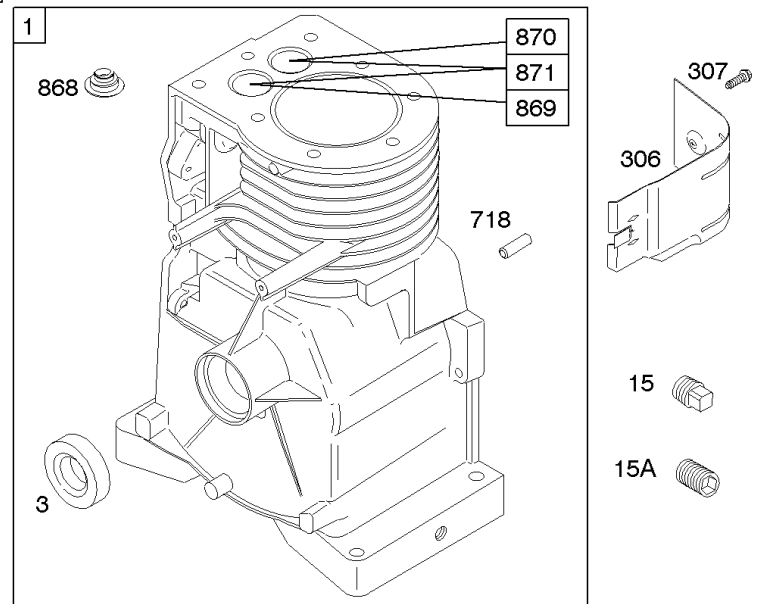
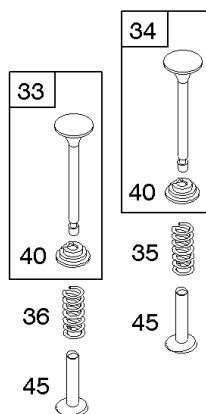
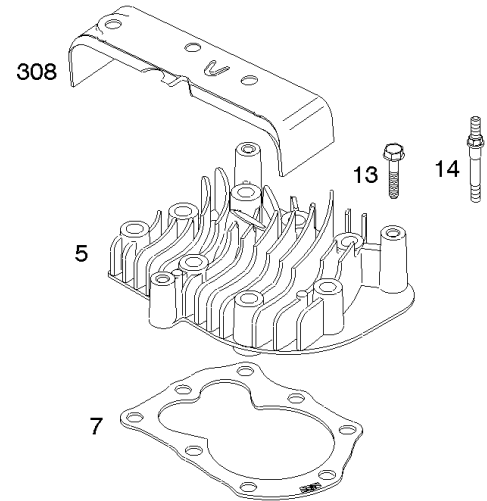
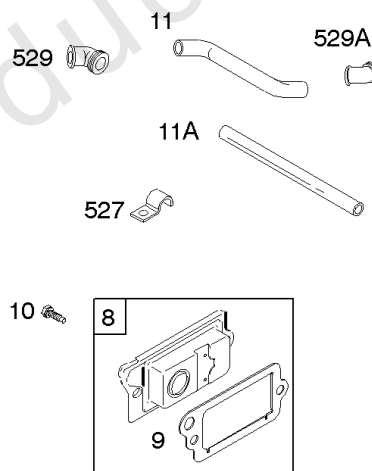
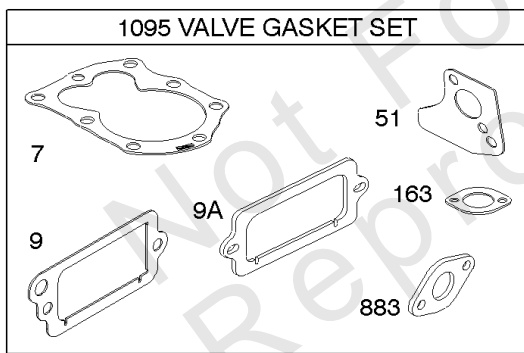
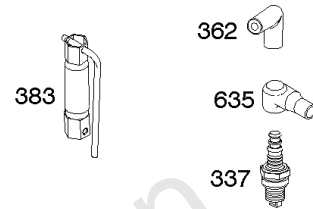
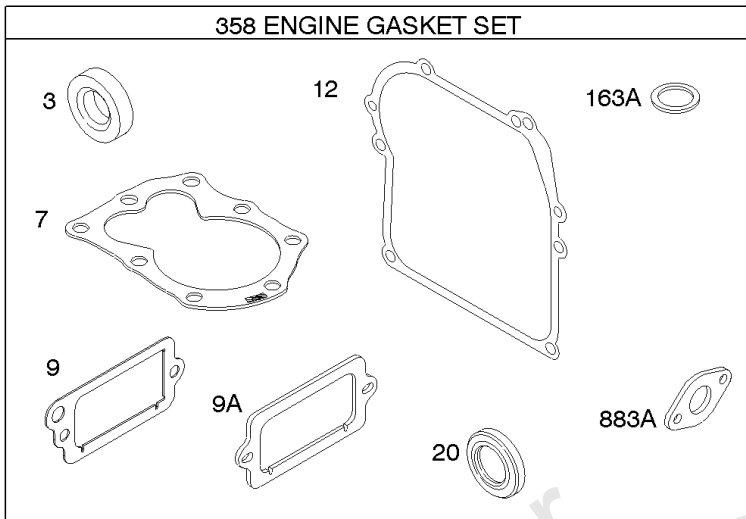
REF NO	PART NO	QTY	DESCRIPTION
1	791358		CYLINDER ASSEMBLY
3	299819S		SEAL, Oil -(Magneto Side)
5	790169		HEAD, Cylinder
7	698717		GASKET-CYL HD
8	791779		BREATHER ASSEMBLY
9	695890		GASKET-BREATHER -Used After Code Date 03031900
9A	27549S		GASKET, Breather -Used Before Code Date 03032000
10	691666		SCREW -(Breather Assembly)
11	692528		TUBE, Breather
11A	231550		TUBE, Breather
12	270896		GASKET, Crankcase -(.009)
12	692218		GASKET, Crankcase -(.015)(Standard)
12	270895		GASKET, Crankcase -(.005)
13	691640		SCREW -(Cylinder Head)
14	690361		SCREW -(Cylinder Head)
15	691686		PLUG-OIL DRAIN
15A	691682		PLUG-OIL DRAIN
20	692020		SEAL, Oil -(PTO Side) (Ball Bearing)
33	296676		VALVE, Exhaust -(Grooved Stem-Includes Retainer)
34	296677		VALVE, Intake -(Grooved stem-includes Retainer)
35	690520		SPRING-VALVE -(Intake)
36	690520		SPRING-VALVE -(Exhaust)
40	692194		RETAINER, Valve
45	691762		TAPPET, Valve
51	273113S		GASKET, Intake
163	271935S		GASKET, Air Cleaner -(Air Cleaner)
306	690461		SHIELD, Cylinder
307	691660		SCREW -(Cylinder Shield)
308	690462		COVER, Cylinder Head
337	802592S		PLUG, Spark -(Resistor)
358	495605		GASKET SET, Engine
383	89838S		WRENCH-SPARK PLUG
527	691741		CLAMP, Hose
529	692189		GROMMET -(90 Degree)
529A	692187		GROMMET -(45 Degree)
635	66538S		BOOT, Spark PLug
718	690959		PIN, Locating -(Cylinder)



1319 WARNING LABEL

	WARNING
	Read and follow Operating Instructions before running engine.
	Gasoline is flammable. Allow engine to cool at least 2 minutes before refueling.
	Engines emit carbon monoxide, DO NOT run in enclosed area.
	Muffler area temperature may exceed 150°F. Do not touch hot parts.

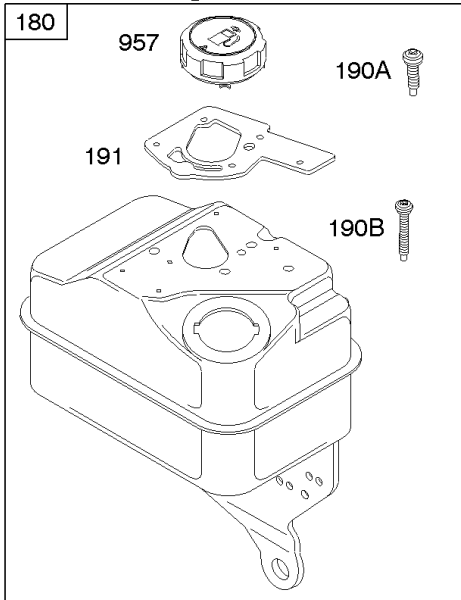
REQUIRED when replacing parts with warning labels affixed.



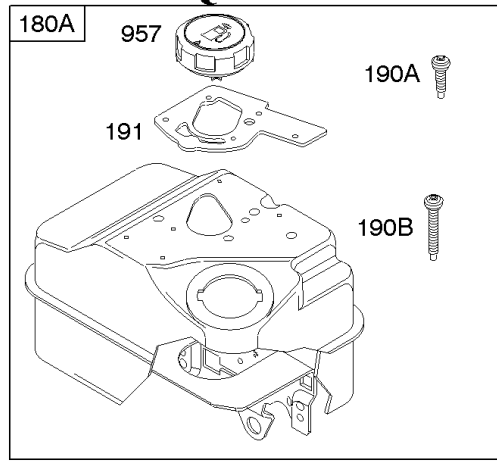
Camshaft, Cylinder, Cylinder Head, Gasket Sets, Operator's Manual, Repair Manual,

REF NO	PART NO	QTY	DESCRIPTION
868	697338		SEAL, Valve
869	691701		SEAT-VALVE -(Intake)
870	691702		SEAT, Valve -(Exhaust)
871	231348		BUSHING-VALVE GUIDE -(Exhaust) -Used Before Code Date 92072000
871	262001		BUSHING-VALVE GUIDE -(Exhaust) -Used After Code Date 92071900
871	63709		BUSHING, Valve Guide -(Intake)
883	691314		GASKET, Exhaust
1058	277098		MANUAL, Operator's
1095	699450		GASKET SET, Valve
1319	794467		LABEL, Warning
1330	270962		REP MAN-1 CYL L-HD

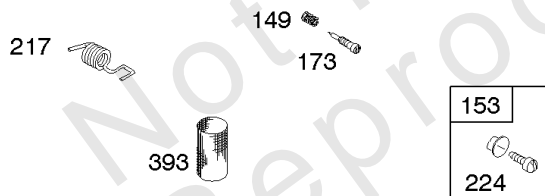
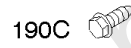
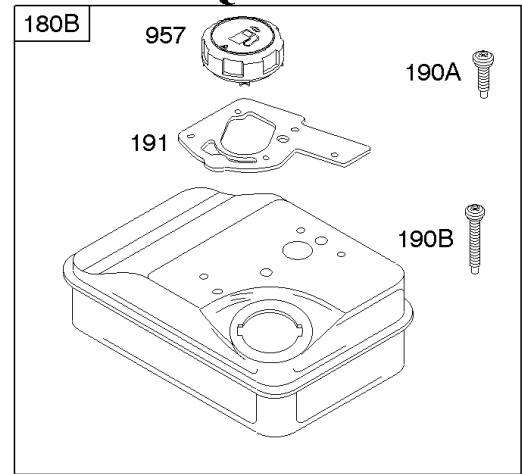
3 QUART



2 QUART



1 QUART

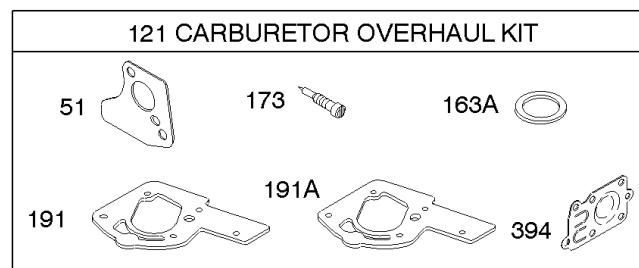
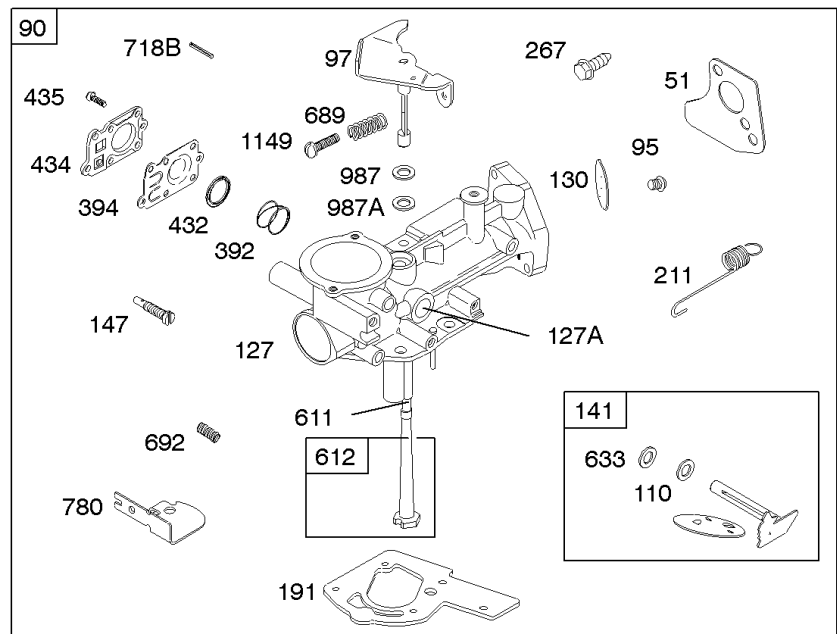


Carburetor Mounting Surface

Pickup Tube

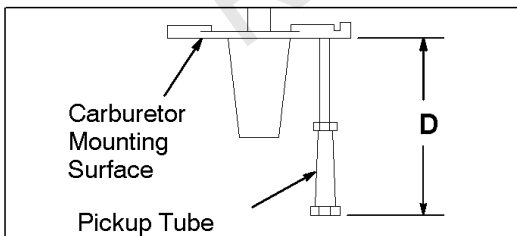
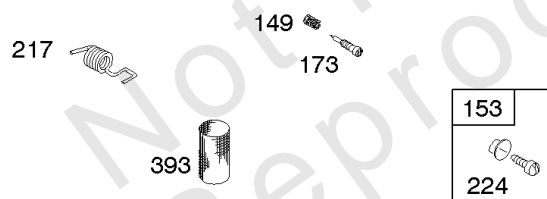
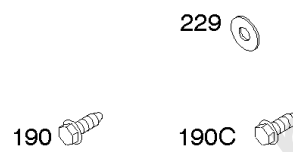
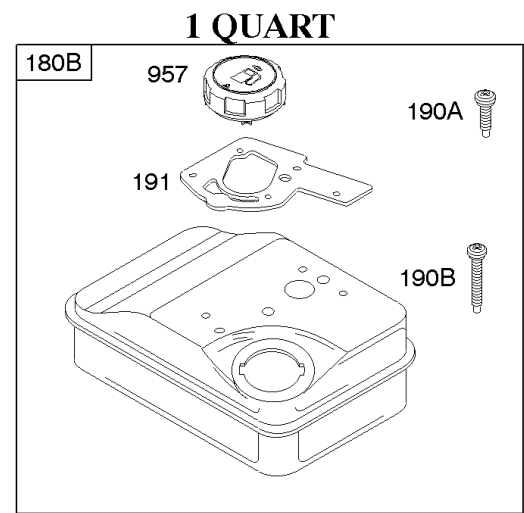
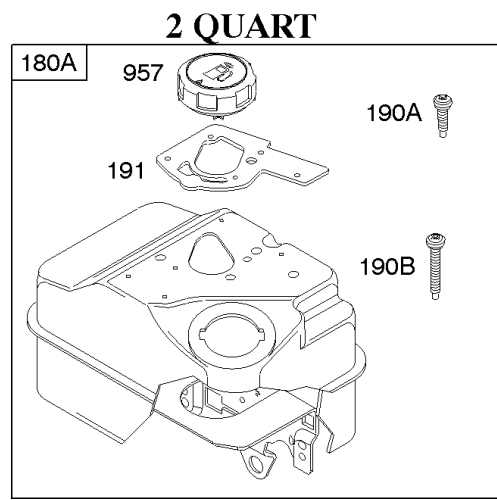
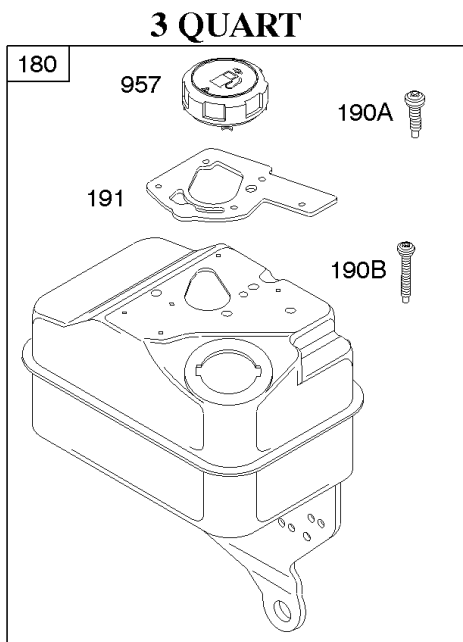
To replace carburetor assembly, determine fuel tank capacity as shown.

Fuel Tank Capacity (Quarts)	1	2	3
D (Inches)	2-5/16	4-1/4	4-7/8



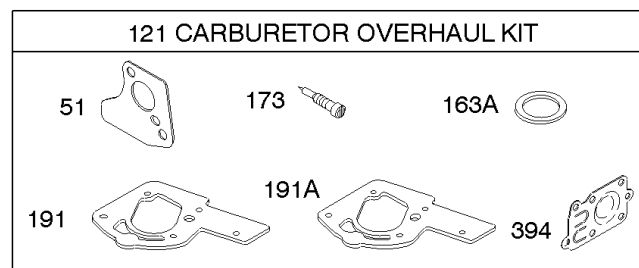
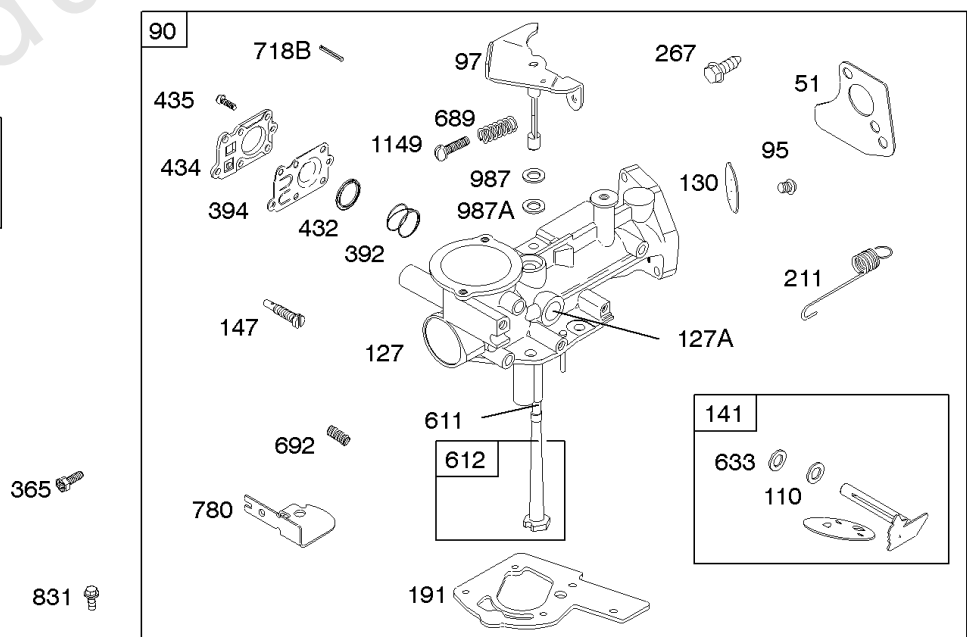
Carburetor, Carburetor Overhaul Kit, Fuel Supply

REF NO	PART NO	QTY	DESCRIPTION
51	273113S		GASKET, Intake
90	499490		CARBURETOR -(3 Quart Tank)(Air Vane) -Used Before Code Date 98082400
90	499953		CARBURETOR -(3 Quart Tank)(Air Vane) -Used After Code Date 98082300
95	691437		SCREW -(Throttle Valve)
97	692018		SHAFT, Throttle
110	690401		WASHER -(Choke Shaft)
121	495606		KIT, Carburetor Overhaul
127	691718		PLUG, Welch -(Carburetor Body)
127A	691742		PLUG, Welch -(Mixing Chamber)
130	691743		VALVE, Throttle
141	491177		KIT, Choke Shaft -Used Before Code Date 94092600
141	497230		KIT, Choke Shaft -Used After Code Date 94092500
147	499502		JET, Pilot -(High Altitude)
147	691250		JET, Pilot -(Standard)
149	691592		SPRING-NEEDLE VALVE
153	490501		SCREW -(Carburetor Lever)
173	691777		VALVE, Idle Mixture
180	495391		TANK, Fuel -(Metal) (3 Quart) (Air Vane)
180A	495377		TANK, Fuel -(Metal) (2 Quart) (Air Vane)
180A	495376		TANK, Fuel -(Metal) (2 Quart)(Mechanical Governor)
180B	495370		TANK, Fuel -(Metal) (1 Quart)
190	691685		SCREW -(Fuel Tank) (2/3)
190A	692200		SCREW -(Fuel Tank) (3/4)
190B	691687		SCREW -(Fuel Tank) (1 3/4)
190C	691141		SCREW -(Fuel Tank) (1/2)
191	692241		GASKET, Fuel Tank -Used After Code Date 92090600
191A	272996		GASKET, Fuel Tank -Used Before Code Date 92090700
211	691289		SPRING, Governed Idle
217	691815		SPRING, Choke Return
224	690320		SCREW -(Collar/Screw Kit)
267	691082		SCREW -(Casing Clamp)
365	690953		SCREW -(Carburetor) (3/4)
392	691823		SPRING, Pump Diaphragm



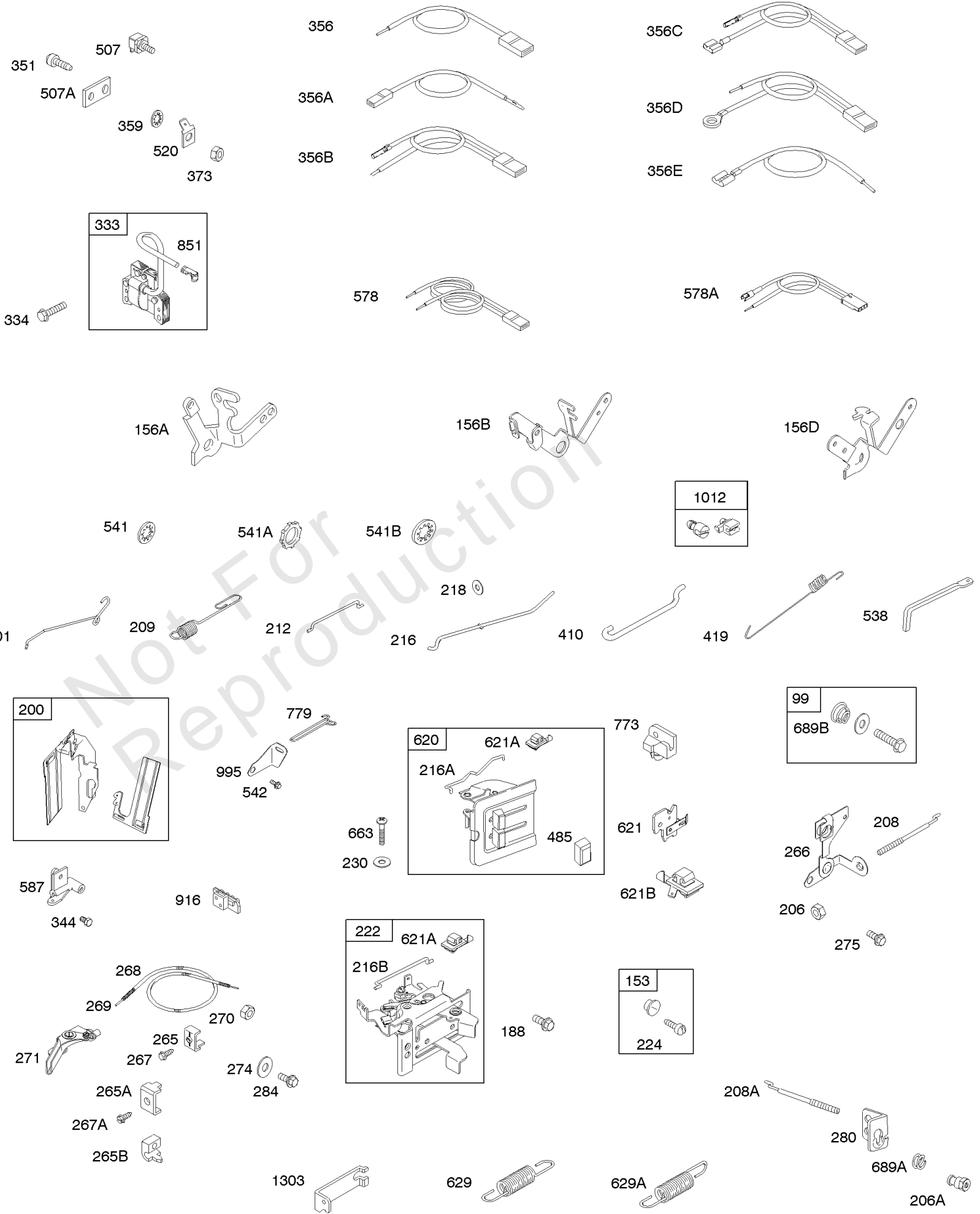
To replace carburetor assembly, determine fuel tank capacity as shown.

Fuel Tank Capacity (Quarts)	1	2	3
D (Inches)	2-5/16	4-1/4	4-7/8



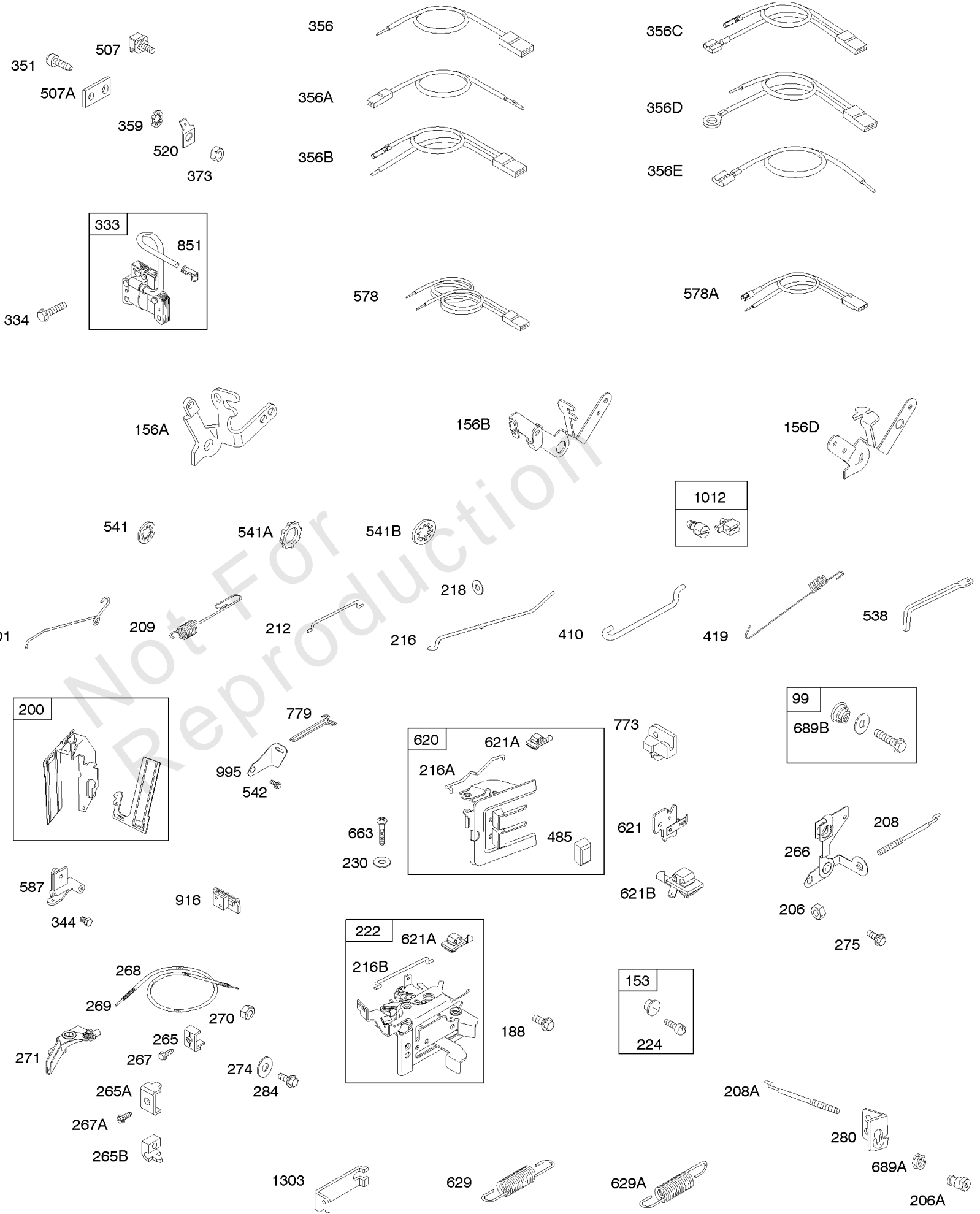
Carburetor, Carburetor Overhaul Kit, Fuel Supply

REF NO	PART NO	QTY	DESCRIPTION
393	691213		SCREEN, Carburetor
394	272538S		DIAPHRAGM, Carburetor -Used After Code Date 92063000
394A	270026		DIAPHRAGM, Carburetor -Used Before Code Date 92070100
432	690766		CAP-SPRING
434	691713		COVER-DIAPHRAGM
435	691619		SCREW -(Diaphragm Cover)
611	691770		PIPE-FUEL -(3 Quart Tank)
611	690507		PIPE-FUEL -(2 Quart Tank)
612	297219S		TUBE, Pick Up -(1 Quart Tank)
612	391813		TUBE-PICK UP -(2 And 3 Quart Tanks)
633	691869		SEAL, Choke/Throttle Shaft
689	691783		SPRING-FRICTION -(Throttle Shaft)
692	690572		SPRING, Detent
718B	690296		PIN-LOCATING -(Diaphragm Cover)
780	691211		ANCHOR, Spring
831	691099		SCREW -(Spring Anchor)
957	494559		CAP, Fuel Tank -(Plastic)
987	692279		SEAL-THROTTLE SHAFT
987A	270167		SEAL, Choke/Throttle Shaft
1149	691624		SCREW -(Throttle Shaft)



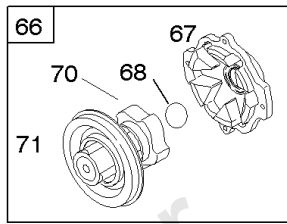
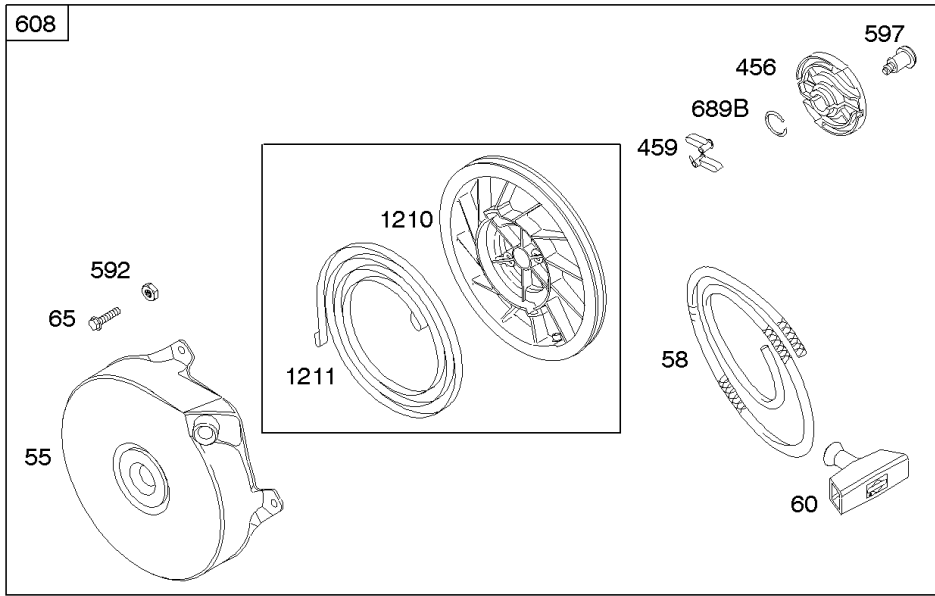
Controls, Governor Spring, Ignition

REF NO	PART NO	QTY	DESCRIPTION
153	490501		SCREW -(Carburetor Lever)
156A	690439		LEVER, Control
156B	690438		LEVER, Control
188	692200		SCREW -(Control Bracket)
200	498770		BLADE, Governor
201	691305		LINK, Air Vane
206A	691771		NUT, Governor Adjusting
208A	691821		ROD, Governor Control
209	692911		SPRING, Governor -(Yellow)(1.8 Inches)
216	690551		LINK, Choke
216A	691824		LINK, Choke
216B	692904		LINK, Choke
218	691722		WASHER -(Choke Link)
222	699132		BRACKET, Control
224	690320		SCREW -(Collar/Screw Kit)
265A	691024		CLAMP, Casing
266	691414		CONTROL, Throttle
267	691082		SCREW -(Casing Clamp)
268	691025		CASING, Control Wire -(48" Long)(Cut To Required Length)
269	691026		WIRE, Control -(78" Long)(Cut To Required Length)
270	691027		NUT -(Control Wire Casing)
271	691028		LEVER, Control
274	691607		WASHER -(Cable Casing)
275	691683		SCREW -(Throttle Control)
280	691184		BRACKET, Rod
284	691082		SCREW -(Control Wire Casing)
333	793281		ARMATURE, Magneto
334	691061		SCREW -(Magneto Armature)
344	691685		SCREW -(Cable Clamp)
351	90200		SCREW -(Ground Terminal)
356	692390		WIRE, Stop
356A	690791		WIRE, Stop
356D	490346		WIRE, Stop -(Dual Stop)
356E	493501		WIRE, Stop
356C	691409		WIRE, Stop
356B	695283		WIRE ASSEMBLY
359	691077		WASHER -(Ground Terminal)
373	691612		NUT -(Ground Terminal)

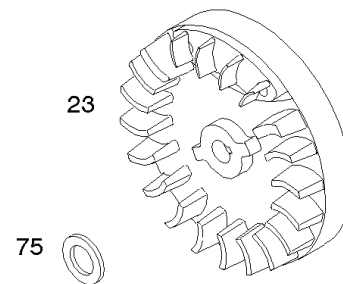
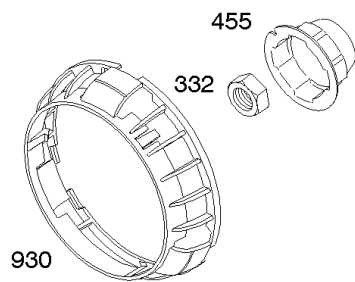
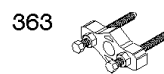
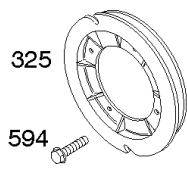


Controls, Governor Spring, Ignition

REF NO	PART NO	QTY	DESCRIPTION
410	691274		LINK, Control
485	692295		KNOB, Air Cleaner Cover
507	691972		INSULATOR
507A	66895		INSULATOR
520	691084		TERMINAL, Ground
541	691067		WASHER -(Speed Adjuster Lever)
541A	690299		WASHER -(Speed Adjuster Lever) (External Teeth)
541B	690288		WASHER -(Speed Adjuster Lever) (Internal Teeth)
542	691683		SCREW -(Link Bracket)
578	398153		WIRE ASSEMBLY
578A	696031		WIRE ASSEMBLY
587	690769		CLAMP, Cable
620	490649		BRACKET, Control
621	691941		SWITCH, Stop
621A	692310		SWITCH, Stop
621B	692029		SWITCH, Stop
663	690370		SCREW -(Control Panel)
689A	692522		SPRING, Friction -(Governor Control Rod)
689B	691855		SPRING-FRICTION -(Rewind Starter)
773	697325		RETAINER
779	691828		LINK, Bell Crank
851	493880S		TERMINAL-SPARK PLUG
916	691900		RACK, Governor Gear
995	691756		BRACKET, Link
1012	490507		RETAINER, Link
1303	690594		CLAMP, Speed Control

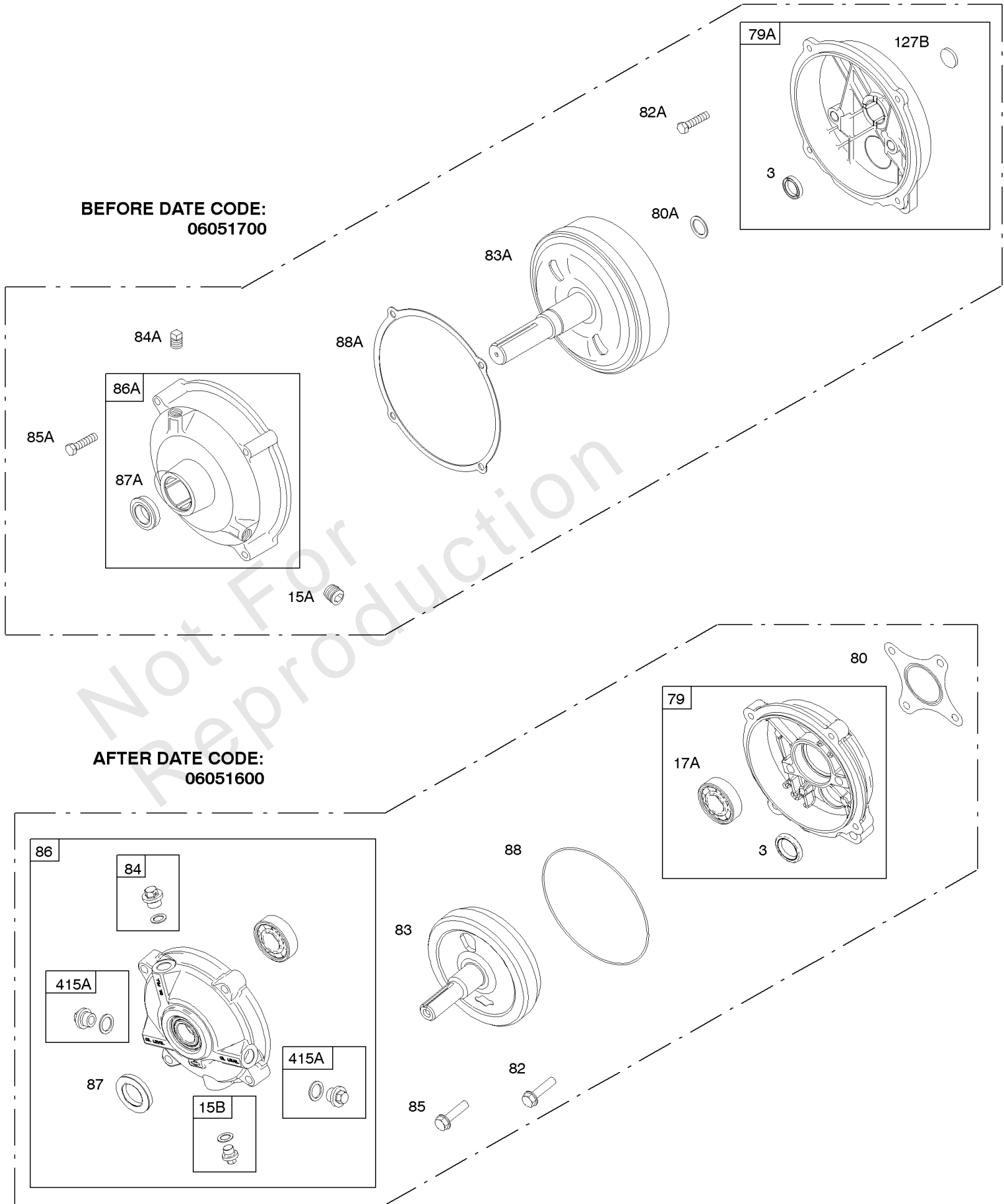


Not For
Reproduction



Flywheel, Rewind Starter

REF NO	PART NO	QTY	DESCRIPTION
23	699573		FLYWHEEL
55	692144		HOUSING, Rewind Starter
55A	393576		HOUSING, Rewind Starter
56	280439S		PULLEY, Rope Starter
57	490179		SPRING-REWIND STR
58	691921		ROPE, Starter -(70)
58A	280406S		ROPE, Starter -(82 Rope)
60	691915		GRIP, Starter Rope
65	690837		SCREW -(Rewind Starter)
65A	690338		SCREW -(Rewind Starter) (3/8)
66	399671		CLUTCH-STARTER -Used Before Code Date 98123100
67	394897		HOUSING, Clutch
68	691604		BALL, Clutch
70	691945		RATCHET-CLUTCH
71	691359		COVER, Ratchet
73	699850		SCREEN, Rotating -Used After Code Date 02060200
73B	691725		SCREEN, Rotating -Used Before Code Date 02060100
74	94058		SCREW -(Rotating Screen)
75	691736		WASHER -(Flywheel)
332	690662		NUT -(Flywheel)
363	19069		PULLER, Flywheel
455	691236		CUP, Flywheel
456	692299		PLATE-PAWL FRICTION
459	281505S		PAWL-RATCHET
592	690800		NUT -(Rewind Starter)
594	94058		SCREW -(Rope Starter Pulley)
597	691696		SCREW -(Pawl Friction Plate)
608	690101		STARTER, Rewind -(70 Rope)
678	490817		SPACER-REWIND -(Rewind)
689B	691855		SPRING-FRICTION -(Rewind Starter)
930	691348		GUARD, Rewind
1210	499901		PULLEY/SPRING ASSY -(Pulley)
1211	499901		PULLEY/SPRING ASSY -(Spring)



Gear Reduction

REF NO	PART NO	QTY	DESCRIPTION
3	299819S		SEAL, Oil -(Magneto Side)
15A	691682		PLUG-OIL DRAIN
15B	792750		PLUG, Oil Drain -(Gear Cover) -Used After Code Date 06051600
17A	99158		BEARING-BALL -(Gear Reduction Case) -Used After Code Date 06051600
79	792746		CASE, Gear Reduction -Used After Code Date 06051600
79A	690605		CASE, Gear Reduction -Used Before Code Date 06051700
80	792755		GASKET, Gear Case -Used After Code Date 06051600
80A	691602		GASKET, Gear Case -Used Before Code Date 06051700
82	792753		SCREW -(Gear Reduction Case) (1 1/3) -Used After Code Date 06051600
82A	690369		SCREW -(Gear Reduction Case) (7/8) -Used Before Code Date 06051700
82A	699164		SCREW -(Gear Reduction Case) (1 1/2) -Used Before Code Date 06051700
83	792756		SHAFT, Auxiliary Drive -Used After Code Date 06051600
83A	690374		SHAFT, Auxiliary Drive -Used Before Code Date 06051700
84	792759		PLUG, Breather -Used After Code Date 06051600
84A	691121		PLUG-BREATHER -Used Before Code Date 06051700
85	690711		SCREW -(Gear Cover to Gear Reduction Case) (1 1/2) -Used After Code Date 06051600
85A	692551		SCREW -(Gear Cover to Gear Reduction Case) (1 3/16) -Used Before Code Date 06051700
86	792748		COVER-GEAR -Used After Code Date 06051600
86A	690608		COVER, Gear -Used Before Code Date 06051700
87	792752		SEAL, Gear Reduction -Used After Code Date 06051600
87A	691582		SEAL, Gear Reduction -Used Before Code Date 06051700
88	792760		GASKET, Gear Cover/Housing -Used After Code Date 06051600
88A	691600		GASKET, Gear Cover/Housing -Used Before Code Date 06051700
127B	691585		PLUG-WELCH -(Gear Reduction Case)
415A	792749		PLUG -(Gear Cover) -Used After Code Date 06051600

Replacement Engine - US & Canada

REF NO	PART NO	QTY	DESCRIPTION
	831320040	1	Replacement Engine
	495915	1	Replacement Short Block
	-----		Top No-Load Speed: 3900 -Trim: ALL
	-----		Service Note: Replacement engine listed is not available in the State of California. Repair with individual parts.
	-----		Service Note: If the replacement engine supersedes to or is a Model 83100 series engine, refer to the illustrations located after the conversion data for this model series. The overall dimensions which differ, are shown in the illustrations.
	-----		Service Note: If after making a visual inspection and it is determined that the Model 83100 series engine cannot be used because of equipment interference, the engine should be repaired with a short block and/or individual parts.
	-----		Service Note: For all Go-Karts use only a Model 136200 series engine as a replacement, regardless of the original Model.
	-----		Short Block Note: Cut off 1-7/16" on Flywheel end of Crankshaft.

Not For Reproduction

