



Parts Manual

Mfg. No: 030545-01
2,600 Watt Briggs & Stratton Inverter
Generator



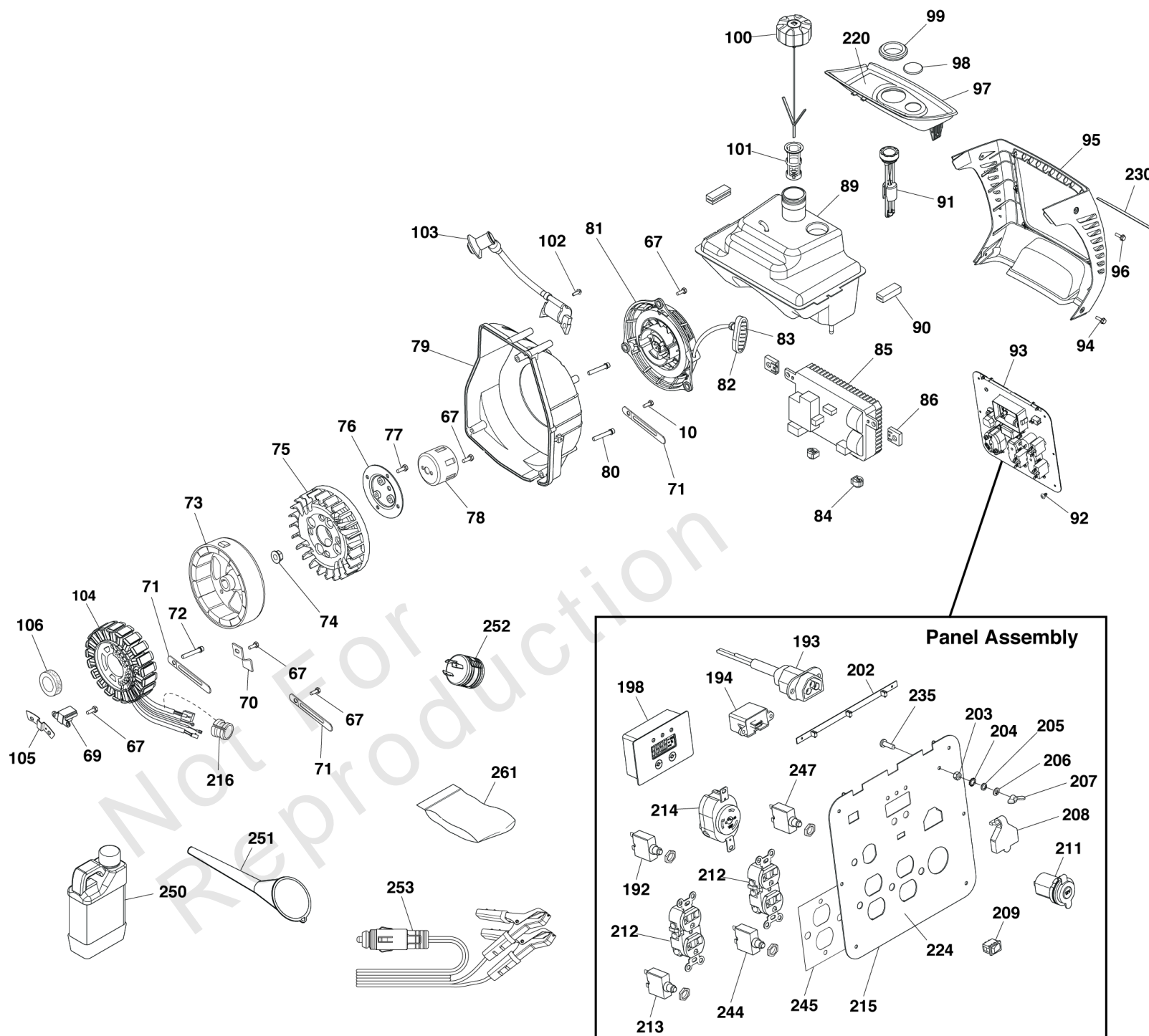
Model Components	Page
Alternator & Control Panel (80018512P1).....	4
Engine (80009370_80018512_P3).....	8
Main Unit (80009370_80018512_P2).....	12
Wiring Diagram (319944WD).....	16
Wiring Schematic (319944WS).....	18
Torque Specification Chart.....	20

Not For
Reproduction

Alternator & Control Panel (80018512P1)

Note: Unless noted otherwise, use the standard torque specifications

Mfg. No: 030545-01



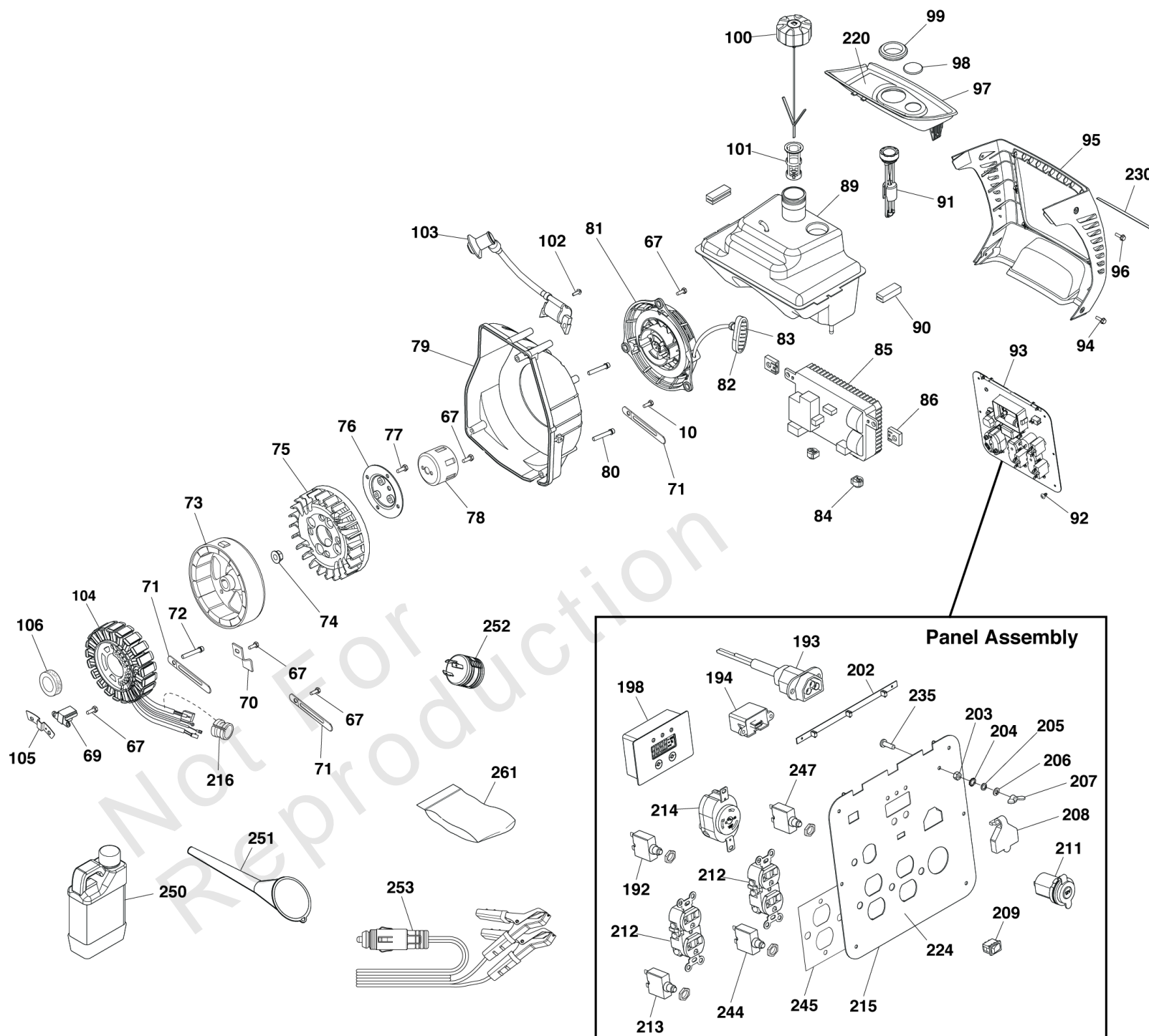
Alternator & Control Panel (80018512P1)

REF NO	PART NO	QTY	DESCRIPTION
10	-----		SCREW
67	-----		BOLT-M6 x 12
69	705457		TRIGGER-IGNITION
70	707320		BRACKET
71	707319		* BRACKET
72	-----		SCREW-M6 x 60
73	705458		ROTOR
74	-----		NUT, FLANGE M14
75	705459		FAN
76	-----		TERMINAL
77	-----		BOLT-M6 x 16
78	705466		CUP-FLYWHEEL
79	-----		COVER-FAN
80	-----		BOLT-M6 x 55
81	705465		STARTER-REWIND
82	-----		GRIP
83	-----		INSERT-GRIP
84	-----		MOUNT-VIBRATION
85	705462		INVERTER
86	-----		MOUNT-VIBRATION
89	319939GS		TANK-FUEL
90	319941GS		MOUNT-VIBRATION
91	319933GS		GAUGE
92	-----		SCREW
93	704075		PANEL-CONTROL
94	-----		SCREW-M5 x 30
95	319927GS		COVER-PANEL
96	-----		SCREW-M6 x 56
97	319929GS		TRAY-FUEL
98	706134		PLUG-SIGHT
99	705490		GROMMET-FUEL
100	317134GS		CAP-FUEL
101	317441GS		FILTER, Filler Neck
102	-----		SCREW
103	705463		COIL-IGNITION
104	705464		STATOR
105	-----		BRACKET
106	-----		SEAL-OIL
192	311444GS		BREAKER, Circuit
193	705488		PORT-PARALLEL
194	319946GS		PORT-USB
198	705482		MODULE
202	319945GS		PCB-LED
203	207743GS		NUT
204	91719GS		WASHER
205	207806GS		WASHER
206	207805GS		WASHER
207	187424GS		NUT, WING, M5 X 0.8
208	705478		COVER-PORT
209	311442GS		SWITCH
211	314531GS		OUTLET, 12VDC

Alternator & Control Panel (80018512P1)

Note: Unless noted otherwise, use the standard torque specifications

Mfg. No: 030545-01



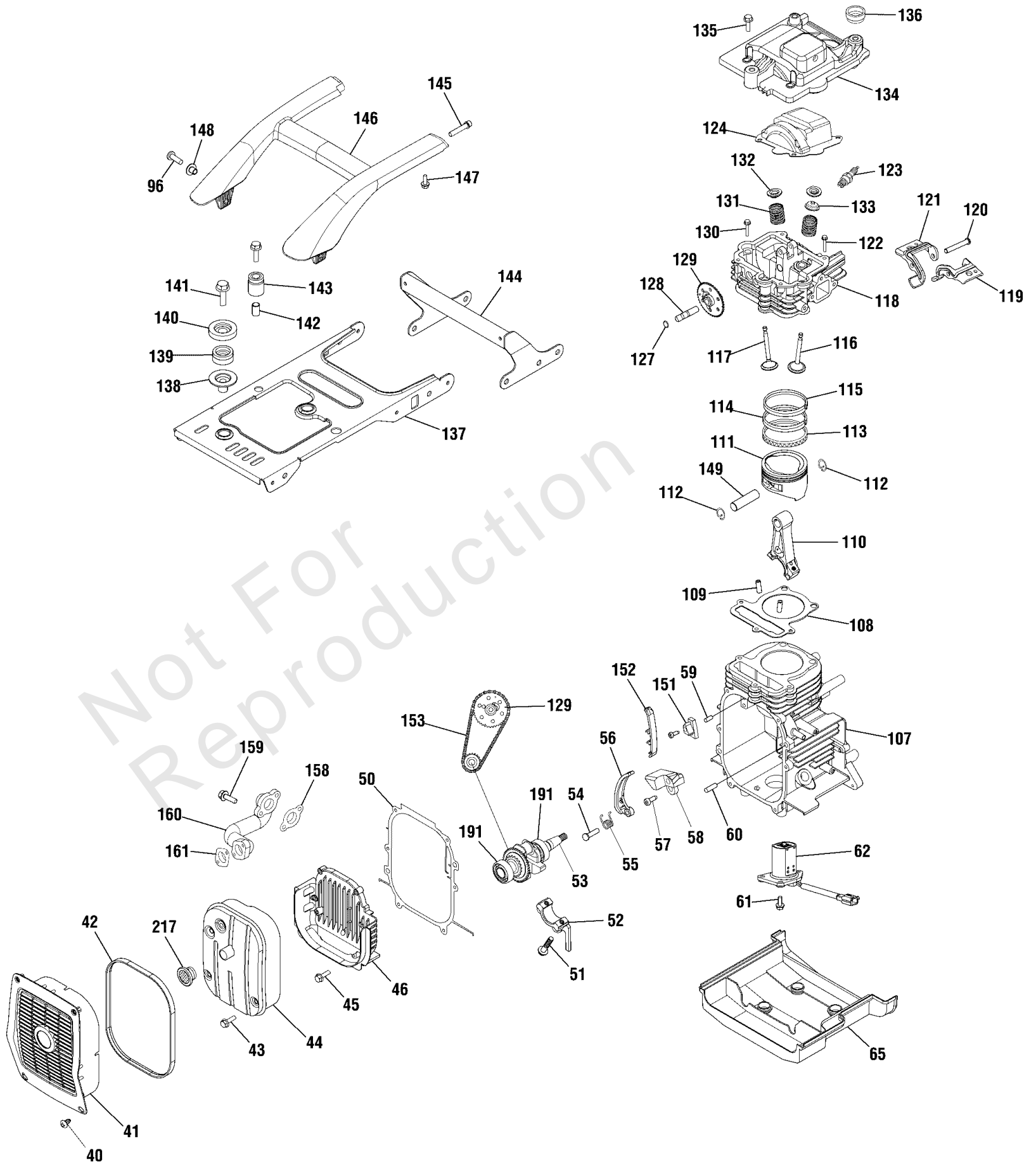
Alternator & Control Panel (80018512P1)

REF NO	PART NO	QTY	DESCRIPTION
212	68759GS		OUTLET, 120V, 20Amp, Duplex
213	705931		CIRCUIT BREAKER, 20A
214	705932		OUTLET-120V TL30A
215	704068		PANEL-CONTROL
216	-----		COVER-RUBBER
220	705934		DECAL
224	771897		DECAL
230	705936		DECAL
235	76040GS		SCREW
244	706175		BREAKER-CIRCUIT 25A
245	704071		INSULATION
247	706178		BREAKER-CIRCUIT 30A
250	100005		OIL-4 CYCLE 30W 18OZ.
251	706357		FUNNEL
252	707499		ADAPTER-RV
253	187876GS		CABLE, BATTERY CHARGE
261	703574		KIT, Tool
--	706139		JET-MAIN, High Altitude, 5000 ft -(Optional Accessory)

Engine (80009370_80018512_P3)

Note: Unless noted otherwise, use the standard torque specifications

Mfg. No: 030545-01



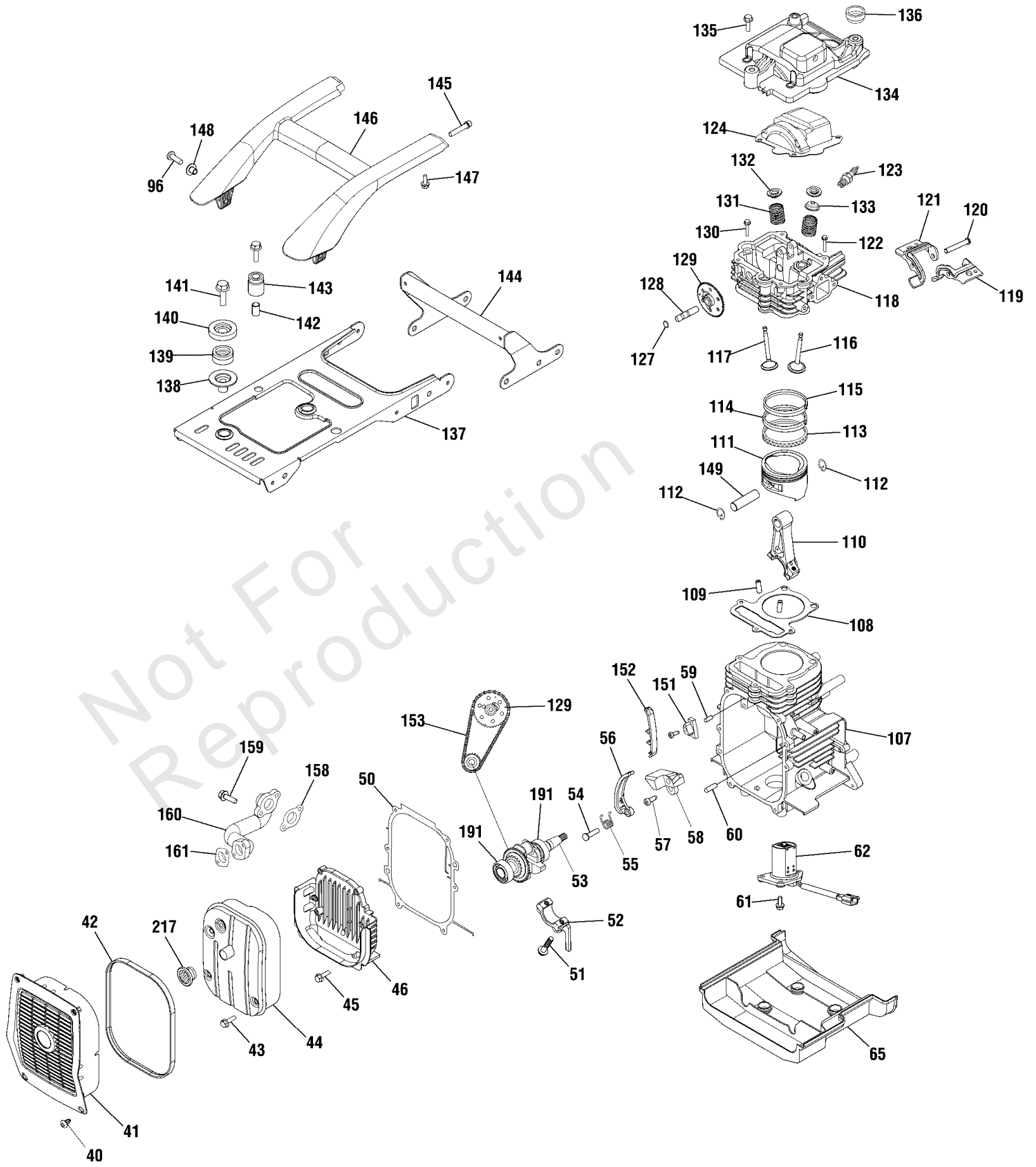
Engine (80009370_80018512_P3)

REF NO	PART NO	QTY	DESCRIPTION
40	-----		SCREW
41	319930GS		GUARD-MUFFLER
42	705962		GASKET
43	-----		BOLT-M6 x 75
44	-----		MUFFLER
45	-----		BOLT-M6 x 30
46	-----		COVER-CRANKCASE
50	705963		GASKET-CRANKCASE
51	-----		ROD
52	-----		COVER
53	-----		CRANKSHAFT
54	-----		PIN
55	-----		SPRING
56	-----		ARM-TENSION
57	-----		SCREW
58	-----		BRACKET
59	-----		PIN
60	-----		PIN
61	-----		BOLT-M5 x 14
62	705964		SENSOR-OIL
65	-----		COVER
96	-----		SCREW
107	-----		CRANKCASE
108	-----		GASKET
109	-----		PIN
110	-----		ROD
111	-----		PISTON
112	-----		RETAINER-PIN
113	-----		RING
114	-----		RING
115	-----		RING
116	-----		VALVE-INTAKE
117	-----		VALVE-EXHAUST
118	-----		CYLINDER HEAD
119	-----		ARM-INTAKE VALVE
120	-----		PIN
121	-----		ARM-EXHAUST VALVE
122	-----		BOLT-M8 x 50
123	705455		SPARKPLUG
124	-----		BLOCK
127	-----		O-RING
128	-----		PIN-SHAFT
129	-----		CAM-ASSEMBLY
130	-----		BOLT-M8 x 70
131	-----		SPRING
132	-----		SEAT-VALVE
133	-----		SEAL-VALVE OIL
134	705456		COVER-CYLINDER
135	-----		BOLT-M6 x 25
136	-----		MOUNT-VIBRATION
137	319943GS		BRACKET

Engine (80009370_80018512_P3)

Note: Unless noted otherwise, use the standard torque specifications

Mfg. No: 030545-01



Engine (80009370_80018512_P3)

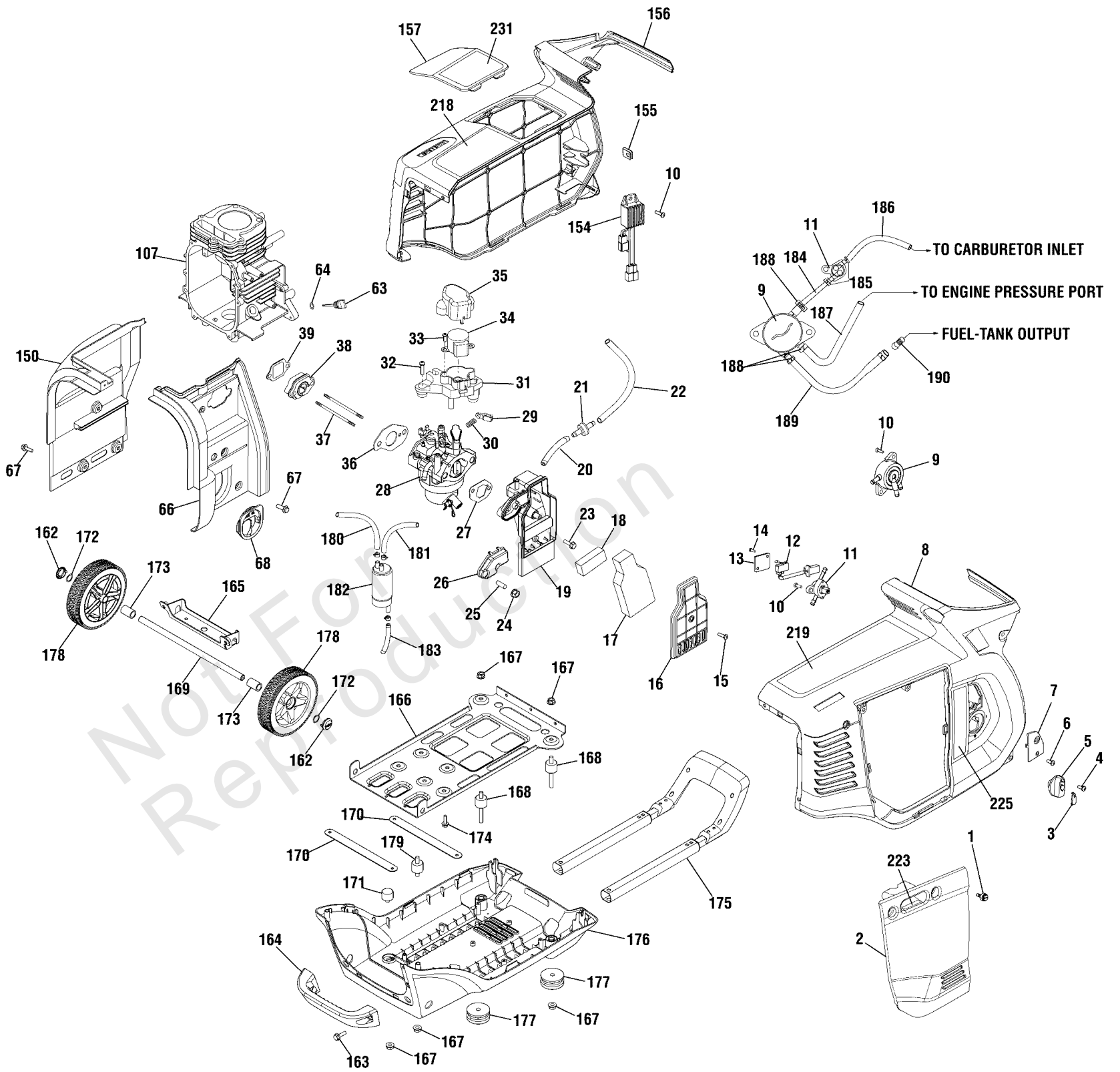
REF NO	PART NO	QTY	DESCRIPTION
138	-----		MOUNT-VIBRATION
139	-----		BUSHING
140	-----		GASKET
141	-----		BOLT-M8 x 30
142	-----		BUSHING
143	-----		MOUNT-VIBRATION
144	319935GS		BRACKET
145	-----		BOLT-M5 x 25
146	319937GS		HANDLE
147	-----		SCREW
148	311431GS		BUSHING
149	-----		PIN-PISTON
151	-----		BRACKET
152	-----		BRACKET
153	-----		CHAIN
158	705966		GASKET
159	-----		BOLT-M6 x 20
160	-----		PIPE-MUFFLER
161	705468		GASKET
191	-----		BEARING
217	703189		ARRESTOR-SPARK

Not For Production

Main Unit (80009370_80018512_P2)

Note: Unless noted otherwise, use the standard torque specifications

Mfg. No: 030545-01



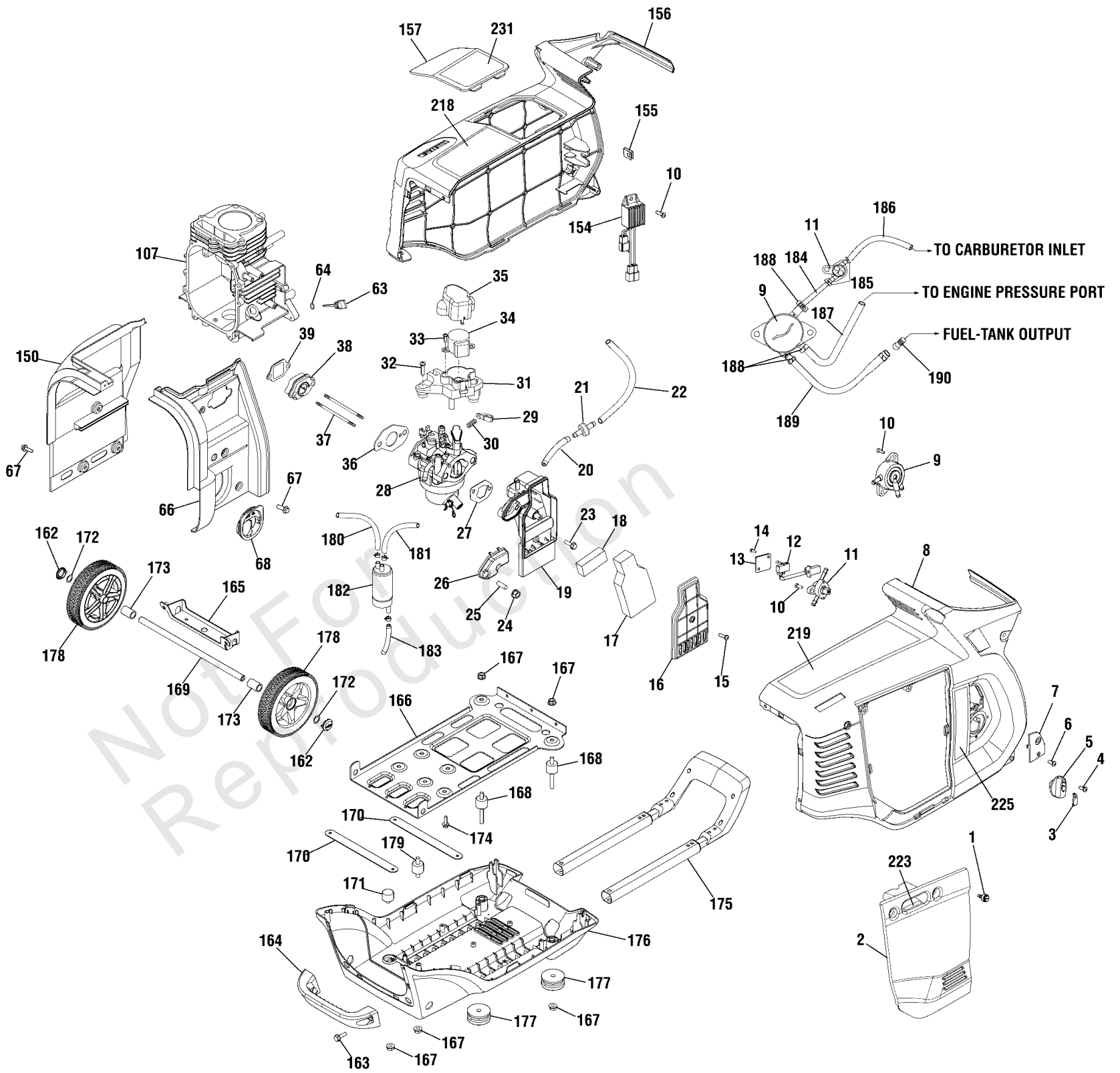
Main Unit (80009370_80018512_P2)

REF NO	PART NO	QTY	DESCRIPTION
1	311375GS		BOLT
2	319926GS		PANEL-ACCESS
3	311377GS		COVER, Knob
4	-----		SCREW
5	705472		KNOB
6	-----		SCREW
7	319936GS		PLATE-TRIM
8	319925GS		COVER-SIDE
9	311383GS		PUMP, Fuel
10	-----		SCREW
11	311384GS		VALVE, Fuel
12	311385GS		SWITCH, ON/OFF
13	-----		COVER-SWITCH
14	-----		SCREW
15	311386GS		SCREW
16	705474		COVER-AIR CLEANER
17	705473		FILTER-A/C FOAM
18	705475		FILTER-A/C FOAM
19	705476		BASE-AIR CLEANER
20	317446GS		HOSE
21	317108GS		CHECK VALVE
22	317447GS		HOSE
23	-----		BOLT-M5 x 12
24	-----		NUT
25	-----		SLEEVE
26	705477		COVER-AIR CLEANER
27	705939		GASKET-AIR CLEANER
28	705940		CARBURETOR
29	84003963		ROD-THROTTLE
30	84003964		SPRING
31	705944		BRACKET
32	-----		SCREW
33	-----		SCREW
34	705938		MOTOR-STEPPER
35	705941		COVER
36	705945		GASKET
37	705942		STUD
38	705495		INSULATOR
39	705496		GASKET
63	705491		DIPSTICK
64	705492		OIL SEAL
66	-----		DEFLECTOR
67	-----		BOLT-M6 x 12
68	-----		SEAL-RUBBER
107	-----		CRANKCASE
150	-----		DEFLECTOR
154	705467		REGULATOR-VOLTAGE
155	-----		NUT
156	319924GS		COVER-SIDE
157	319928GS		COVER-SPARK PLUG
162	706065		HUBCAP

Main Unit (80009370_80018512_P2)

Note: Unless noted otherwise, use the standard torque specifications

Mfg. No: 030545-01



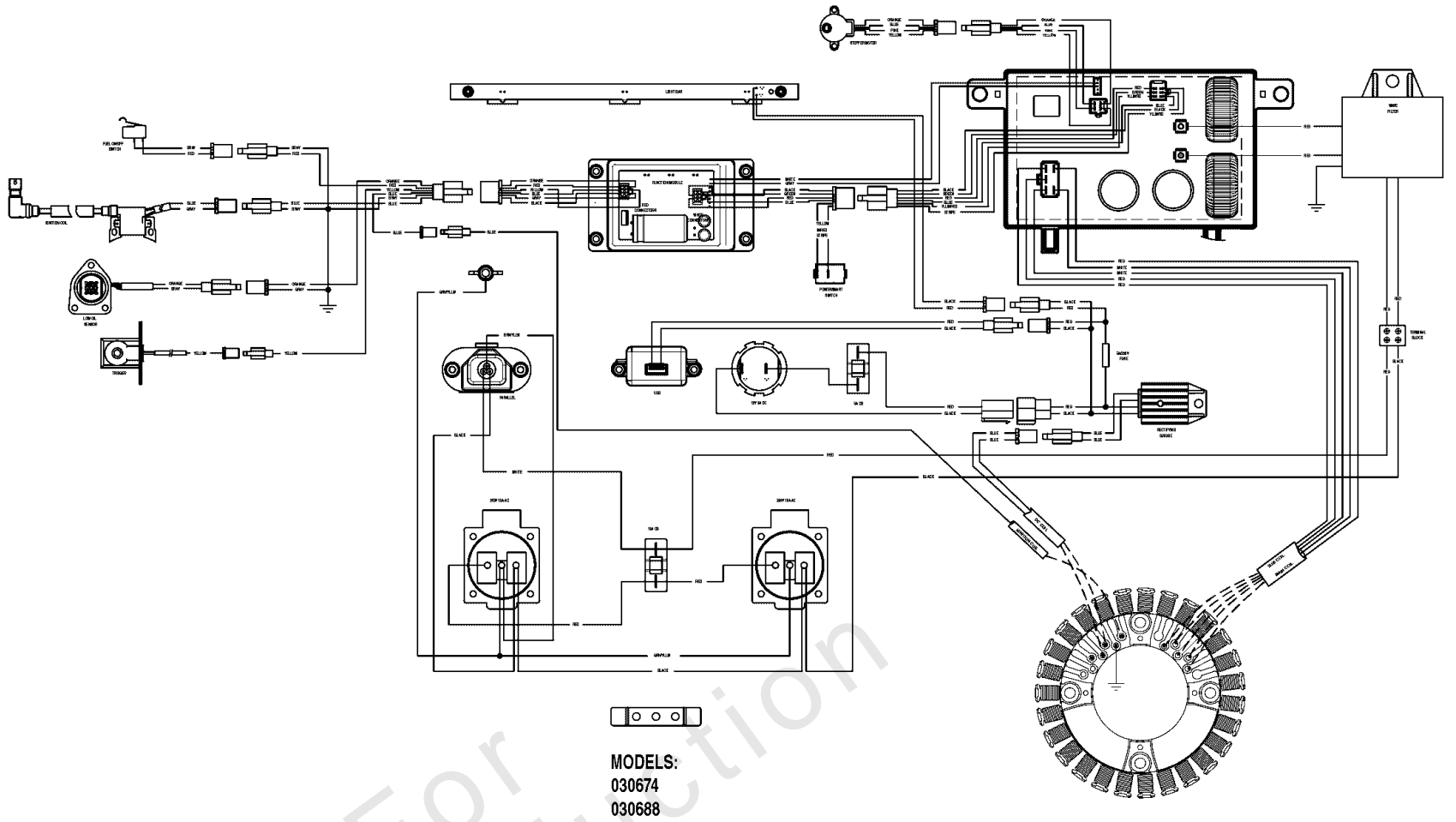
Main Unit (80009370_80018512_P2)

REF NO	PART NO	QTY	DESCRIPTION
163	-----		BOLT-M6 x 25
164	319932GS		BAR
165	319934GS		BRACKET
166	319942GS		FRAME
167	-----		NUT-FLANGE M8
168	705469		MOUNT-VIBRATION
169	705494		AXLE
170	705946		BRACKET
171	705470		MOUNT-VIBRATION
172	771593		E-RING
173	705471		SLEEVE
174	-----		BOLT-M8 x 16
175	319938GS		HANDLE
176	319923GS		COVER-BOTTOM
177	311427GS		MOUNT, Vibration
178	319940GS		WHEEL
179	311426GS		MOUNT, Vibration
180	705483		HOSE
181	705484		HOSE
182	705487		SEPARATOR
183	705485		HOSE
184	705486		HOSE-FUEL
185	-----		CLAMP
186	705480		HOSE-FUEL
187	705481		HOSE-FUEL
188	-----		CLAMP
189	705479		HOSE-FUEL
190	705493		FILTER
218	705977		DECAL
219	705968		DECAL
223	705967		DECAL
225	705978		DECAL
231	705976		DECAL

Wiring Diagram (319944WD)

Note: Unless noted otherwise, use the standard torque specifications

Mfg. No: 030545-01



Not For
Reproduction

Wiring Diagram (319944WD)

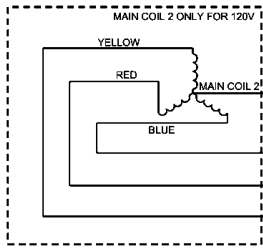
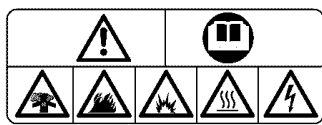
REF NO	PART NO	QTY	DESCRIPTION
--	-----		Wiring Diagram Only
--	-----		WARNING - Generator Voltage Could Cause Electrical Shock or Burn Resulting in Death Or Serious Injury. To Avoid Electrical Shock Or Burn Hazard, Please Refer Service To Qualified Personnel.

Not For Reproduction

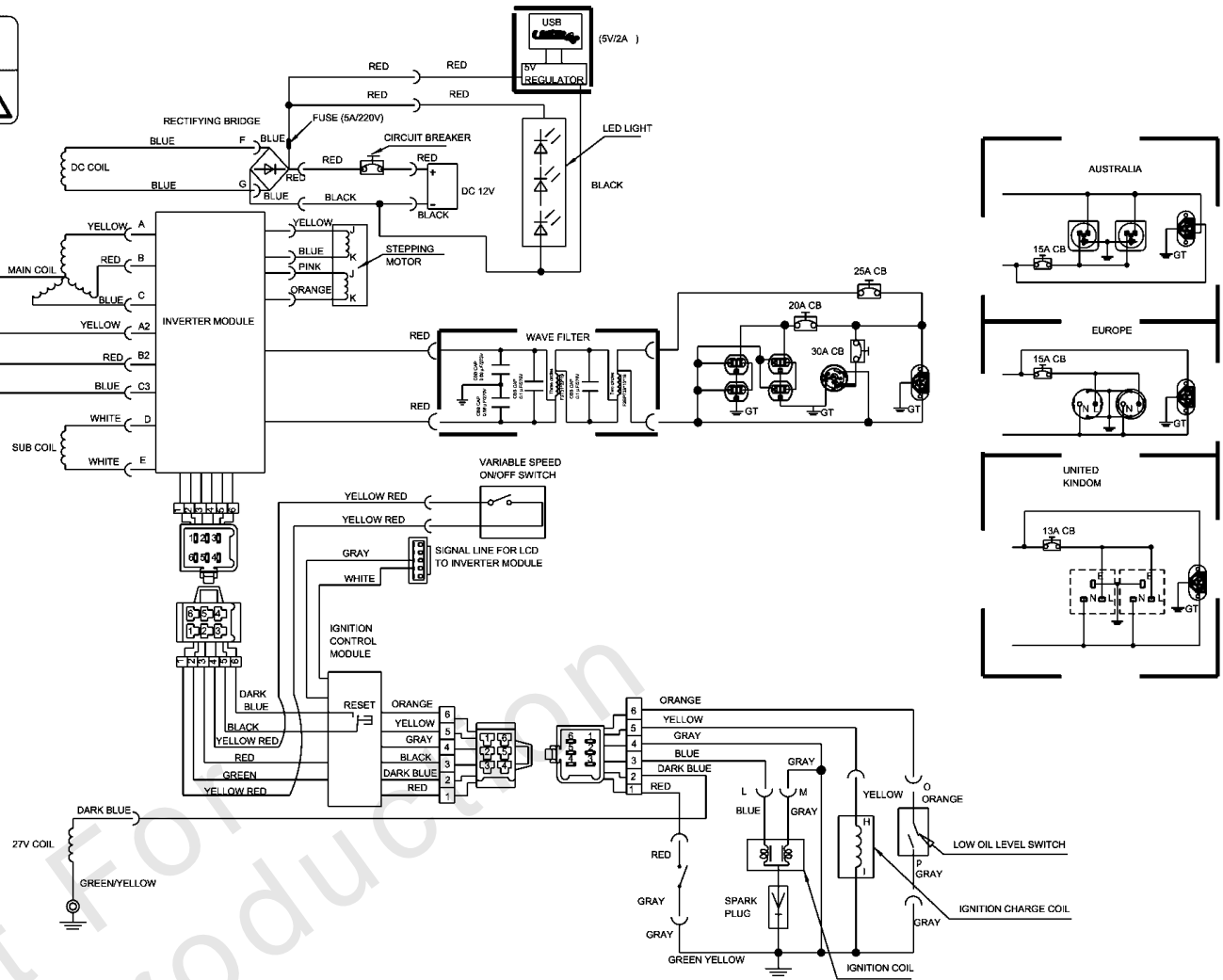
Wiring Schematic (319944WS)

Note: Unless noted otherwise, use the standard torque specifications

Mfg. No: 030545-01



STATIC RESISTANCE VALUE (68° F)		
	US	AUS/EU/UK
A-B	1.155Ω ± 10%	2.275Ω ± 10%
A-C	1.155Ω ± 10%	2.275Ω ± 10%
B-C	1.155Ω ± 10%	2.275Ω ± 10%
A2-B2	1.155Ω ± 10%	—
A2-C2	1.155Ω ± 10%	—
B2-C2	1.155Ω ± 10%	—
D-E	0.198Ω ± 15%	0.198Ω ± 15%
F-G	0.098Ω ± 15%	0.098Ω ± 15%
H-I	130Ω ± 20%	130Ω ± 20%
J-K	50Ω ± 10%	50Ω ± 10%
L-M	1.1Ω ± 20%	1.1Ω ± 20%
O-P	≤ 120mΩ	≤ 120mΩ



Wiring Schematic (319944WS)

REF NO	PART NO	QTY	DESCRIPTION
	-----		Wiring Schematic Only
	-----		WARNING - Generator Voltage Could Cause Electrical Shock or Burn Resulting in Death Or Serious Injury. To Avoid Electrical Shock Or Burn Hazard, Please Refer Service To Qualified Personnel.

Not For Reproduction

Hardware Identification & Torque Specifications

Torque Specification Chart								
FOR STANDARD METRIC MACHINE HARDWARE (Tolerance ± 20%)								
Property Class	5.6		8.8		10.9		12.9	
	Class 5.6		Class 8.8		Class 10.9		Class 12.9	
Size Of Hardware	in/lbs	Nm.	in/lbs	Nm.	in/lbs	Nm.	in/lbs	Nm.
	ft/lbs		ft/lbs		ft/lbs		ft/lbs	
M3	5.88	.56	13.44	1.28	19.2	1.80	22.92	2.15
M4	13.44	1.28	30.72	2.90	43.44	4.10	52.56	4.95
M5	26.4	2.50	60.96	5.75	5.97	8.10	7.15	9.7
M6	44.64	4.3	7.3	9.9	10.3	14	12.1	16.5
M7	5.2	7.1	12.1	16.5	16.9	23	19.9	27
M8	7.7	10.5	17.7	24	25	34	29	40
M10	15	21	35	48	50	67	59	81
M12	26	36	61	83	86.2	117	103	140
M14	42	58	101	132	136	185	162	220
M16	64	88	147	200	210	285	250	340
M18	89	121	202	275	287	390	346	470
M20	126	171	290	390	405	550	486	660
M22	169	230	390	530	559	745	656	890
M24	217	295	497	375	708	960	840	1140
M27	320	435	733	995	1032	1400	1239	1680
M30	435	590	995	1350	1401	1900	1681	2280
M33	590	800	1349	1830	1902	2580	2278	3090
M36	759	1030	1740	2360	2441	3310	2935	3980
M39	988	1340	2249	3050	3163	4290	3798	5150

Torque Specification Chart						
FOR STANDARD MACHINE HARDWARE (Tolerance ± 20%)						
Hardware Grade	No Marks		SAE Grade 5		SAE Grade 8	
	SAE Grade 2		SAE Grade 5		SAE Grade 8	
Size Of Hardware	in/lbs	Nm.	in/lbs	Nm.	in/lbs	Nm.
	ft/lbs		ft/lbs		ft/lbs	
8-32	19	2.1	30	3.4	41	4.6
8-36	20	2.3	31	3.5	43	4.9
10-24	27	3.1	43	4.9	60	6.8
10-32	31	3.5	49	5.5	68	7.7
1/4-20	66	7.6	8	10.9	12	16.3
1/4-28	76	8.6	10	13.6	14	19.0
5/16-18	11	15.0	17	23.1	25	34.0
5/16-24	12	16.3	19	25.8	29	34.0
3/8-16	20	27.2	30	40.8	45	61.2
3/8-24	23	31.3	35	47.6	50	68.0
7/16-14	30	40.8	50	68.0	70	95.2
7/16-20	35	47.6	55	74.8	80	108.8
1/2-13	50	68.0	75	102.0	110	149.6
1/2-20	55	74.8	90	122.4	120	163.2
9/16-12	65	88.4	110	149.6	150	204.0
9/16-18	75	102.0	120	163.2	170	231.2
5/8-11	90	122.4	150	204.0	220	299.2
5/8-18	100	136	180	244.8	240	326.4
3/4-10	160	217.6	260	353.6	386	525.0
3/4-16	180	244.8	300	408.0	420	571.2
7/8-9	140	190.4	400	544.0	600	816.0
7/8-14	155	210.8	440	598.4	660	897.6
1-8	220	299.2	580	788.8	900	1,244.0
1-12	240	326.4	640	870.4	1,000	1,360.0

The guides and ruler furnished below are designed to help you select the appropriate hardware.



Nut, M8

Thread Diameter (mm)

Inside Diameter (in) Threads per inch

Nut, 1/2-16



Screw, M8- 1.25 x 25

Thread Diameter (mm) Distance between threads (mm) Body Length (mm)

Body Diameter Threads per inch Body Length (in)

Screw, 1/2- 16 x 2



Standard Hardware Sizing

When a washer or nut is identified as 1/2" (M8), this is the *Nominal size*, meaning the *inside diameter* is 1/2 inch (8mm metric thread diameter); if a second number is present it represents the *threads per inch* (distance between threads).

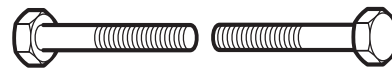
When bolt or capscrew is identified as 1/2 - 16 x 2" (M8 - 1.25 x 50), this means the *Nominal size*, or body diameter is 1/2 inch (8mm metric thread diameter), the second number, 16, represents the *threads per inch*, (*distance between threads*). The final number is the body length of the bolt or screw, 2 inches (50mm).

NOTES

- These torque values are to be used for all hardware excluding: locknuts, self-tapping screws, thread forming screws, sheet metal screws and socket head setscrews.
- Recommended seating torque values for locknuts:
 - for prevailing torque locknuts - use 65% of grade 5 torques.
 - for flange whizlock nuts and screws - use 135% of grade 5 torques.
- Unless otherwise noted on assembly drawings, all torque values must meet this specification.

Common Hardware Types

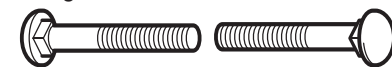
Hex Head Capscrew



Washer



Carriage Bolt



Hex Nut

Wrench & Fastener Size Guide

1/4" Bolt or Nut Wrench—7/16"	5/16" Bolt or Nut Wrench—1/2"	3/8" Bolt or Nut Wrench—9/16"	7/16" Bolt or Nut Wrench (Bolt)—5/8" Wrench (Nut)—11/16"	1/2" Bolt or Nut Wrench—3/4"
M6 Bolt or Nut Wrench—10mm	M8 Bolt or Nut Wrench—13mm	M10 Bolt or Nut Wrench—17mm	M12 Bolt or Nut Wrench—19mm	M14 Bolt or Nut Wrench—22mm

