



**445600**

# Illustrated Parts List

## Model Series

# 445600

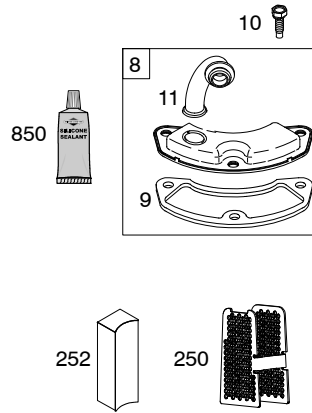
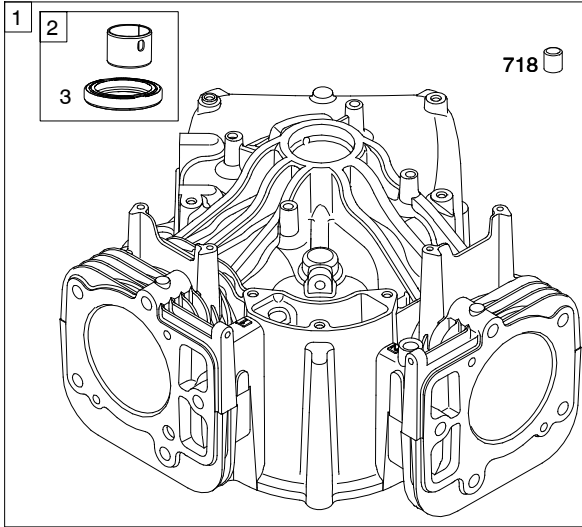
TYPE NUMBERS  
0001 THROUGH 5344.

Not for  
Reproduction



PRINTED IN U.S.A.

COPYRIGHT by BRIGGS & STRATTON CORPORATION  
All rights reserved. No part of this material may be reproduced or transmitted,  
in any form or by any means, electronic or mechanical, including photocopying,  
recording or by any information storage and retrieval system, without permission  
in writing from Briggs & Stratton Corporation.



1319 WARNING LABEL

**REQUIRED** when replacing parts with warning labels affixed.

1319A WARNING LABEL

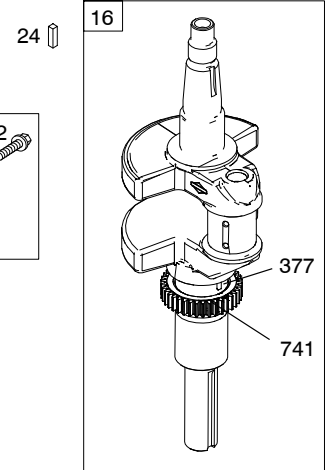
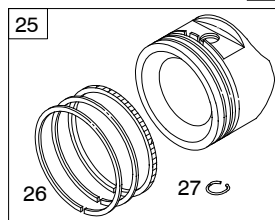
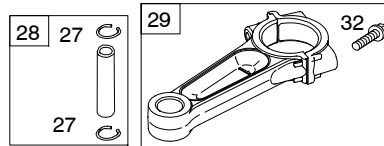
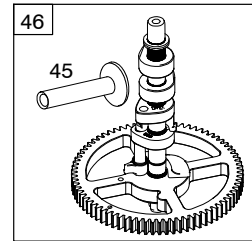
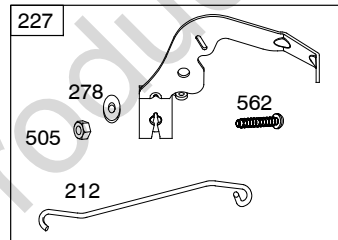
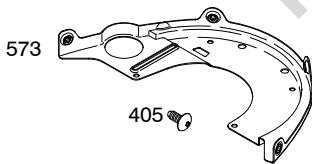
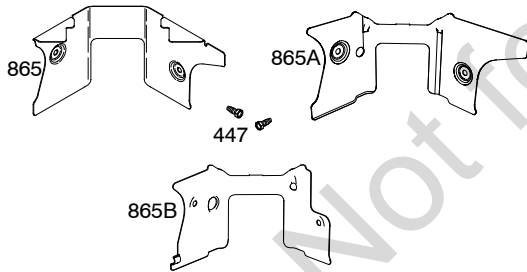
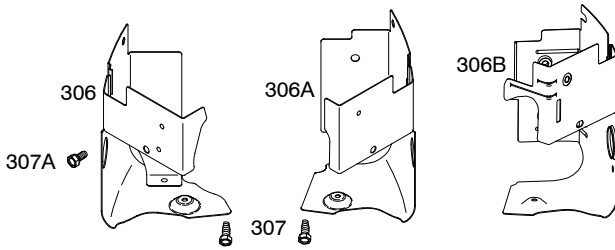
**REQUIRED** when replacing parts with warning labels affixed.

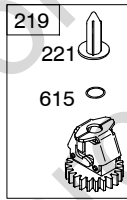
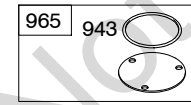
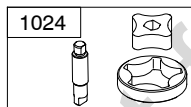
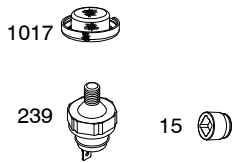
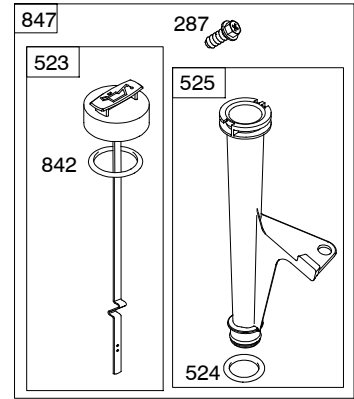
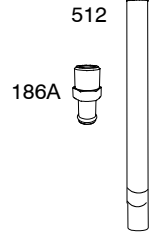
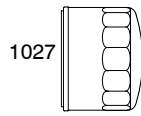
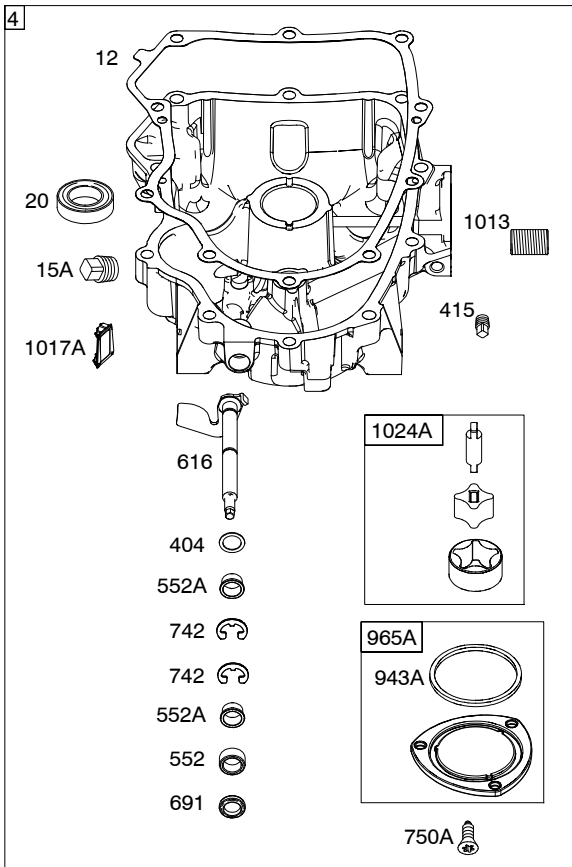
1036 EMISSIONS LABEL

1058 OPERATOR'S MANUAL



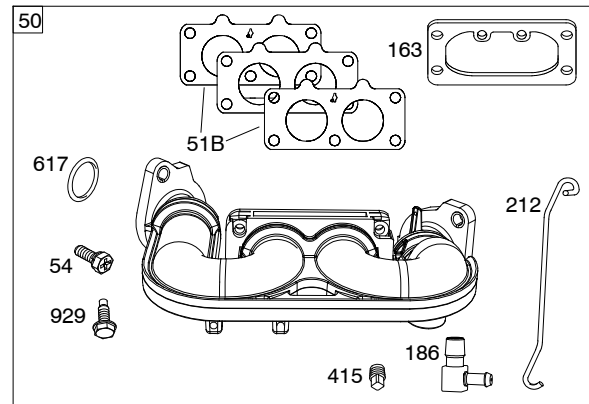
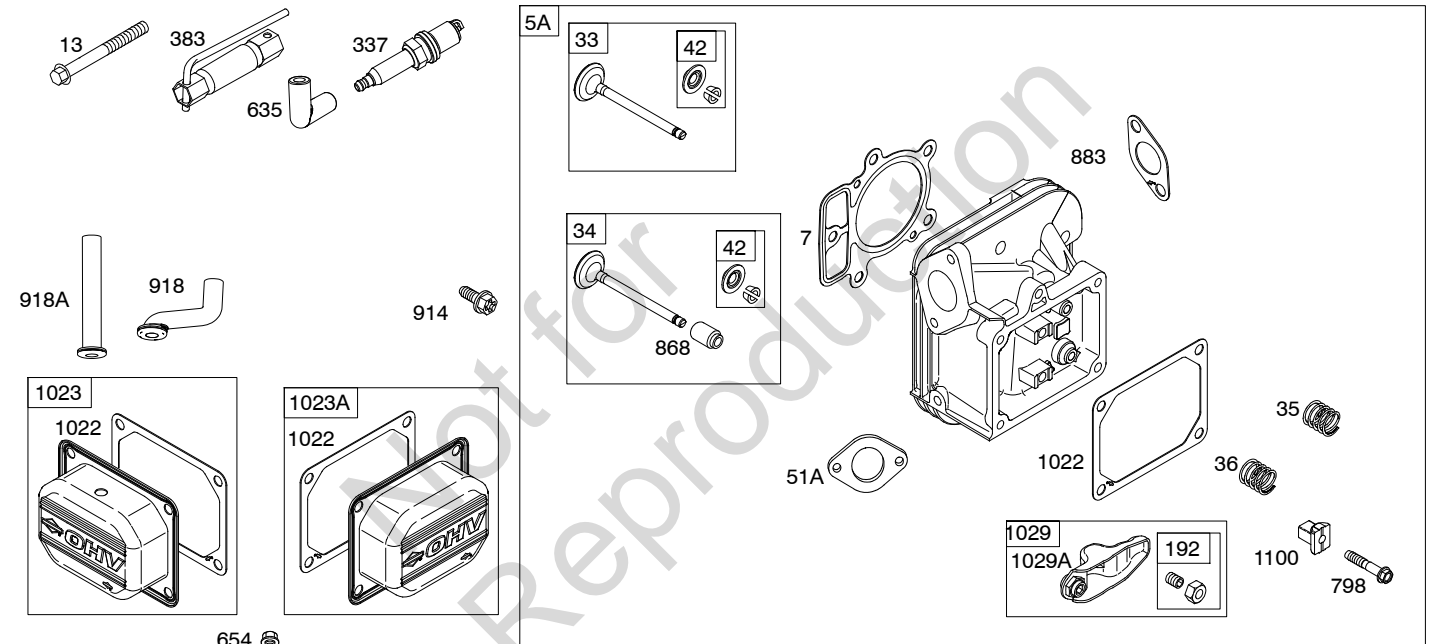
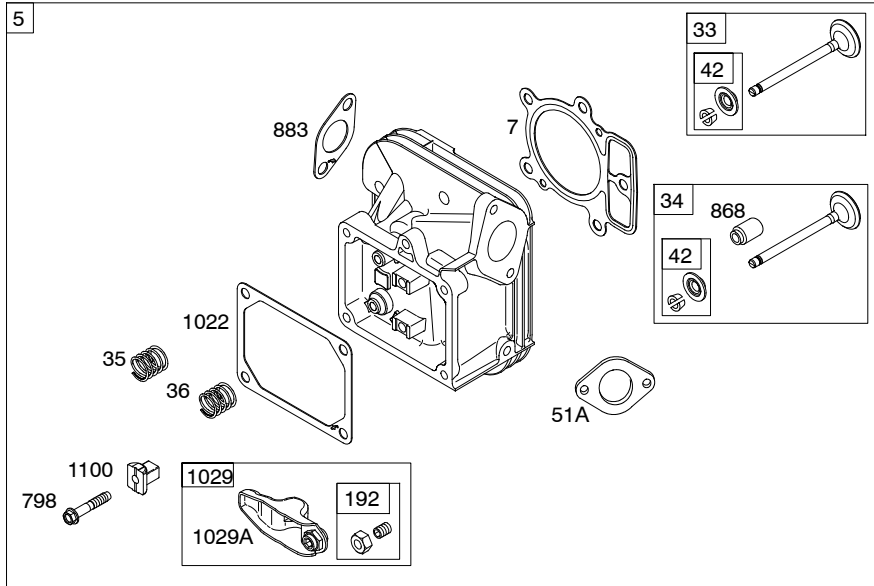
1330 REPAIR MANUAL

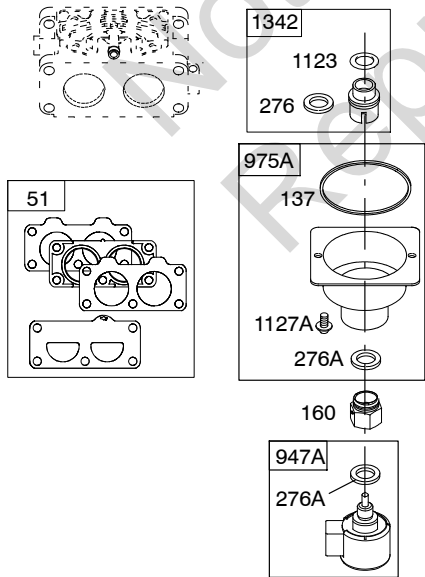
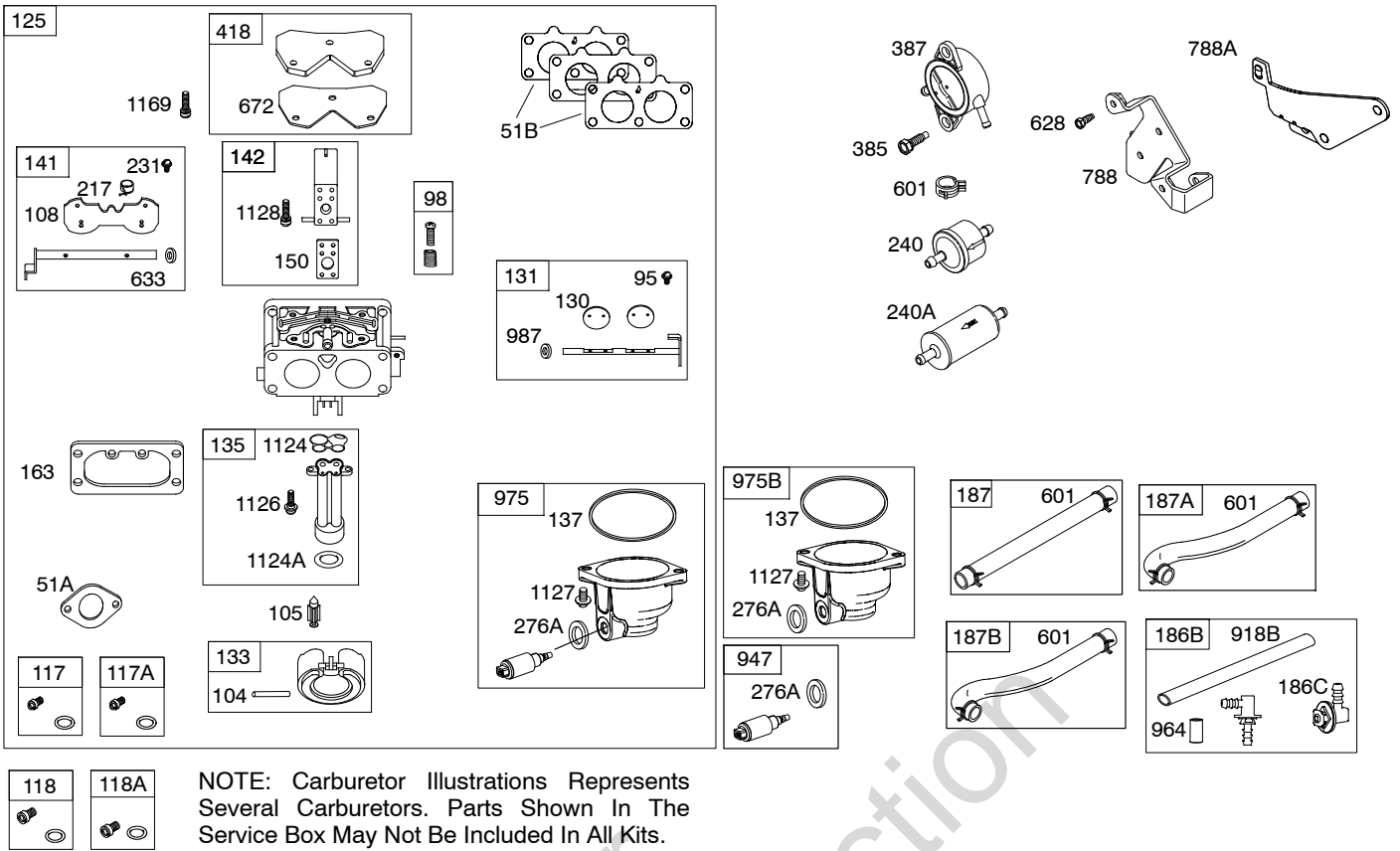




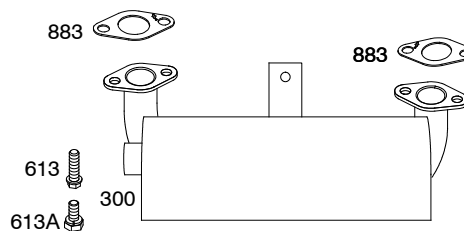
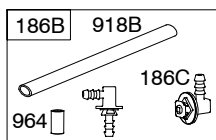
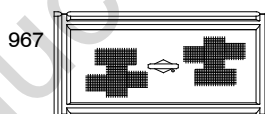
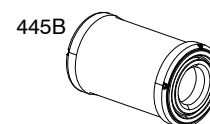
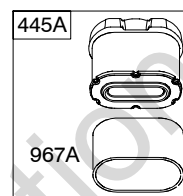
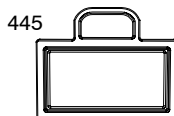
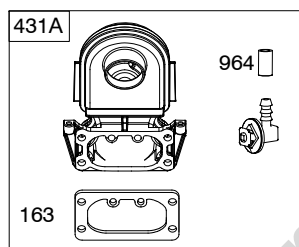
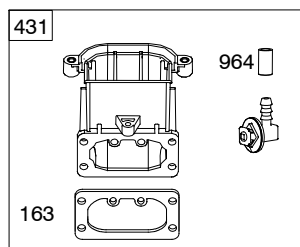
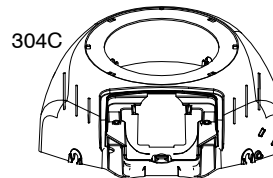
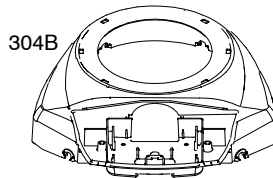
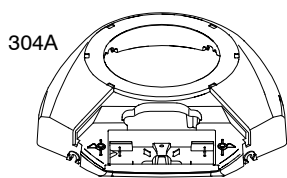
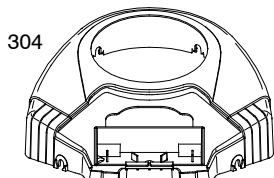
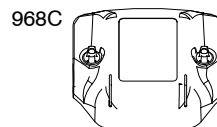
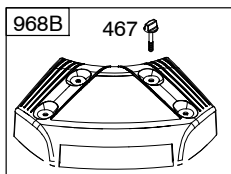
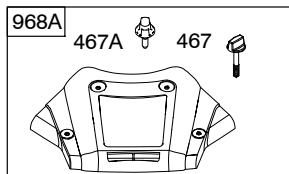
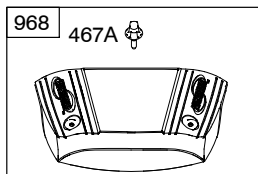
Not for Reproduction

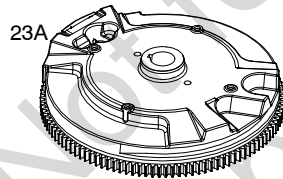
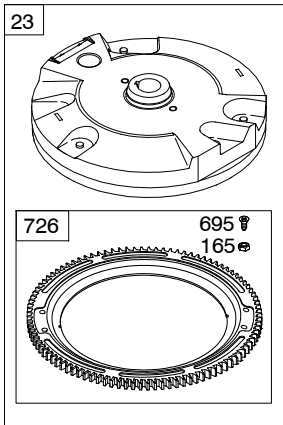
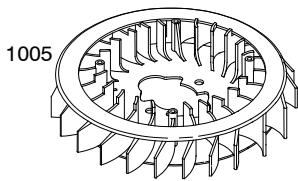
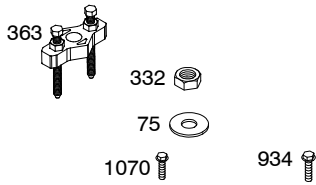
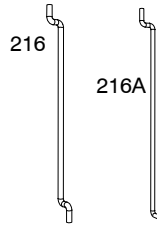
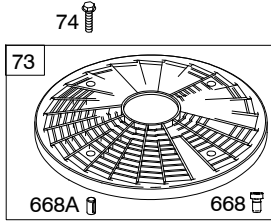
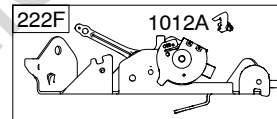
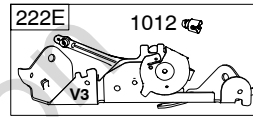
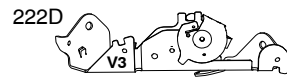
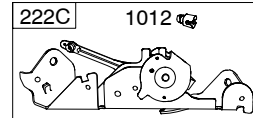
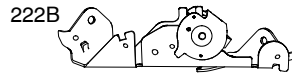
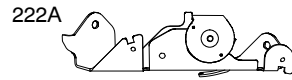
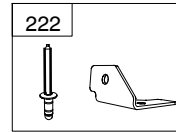
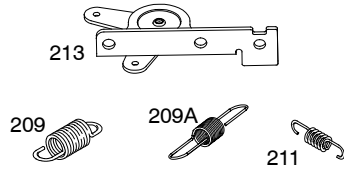
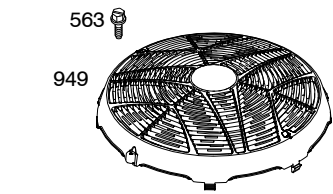
# 445600



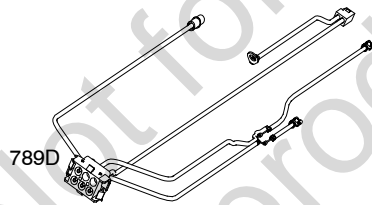
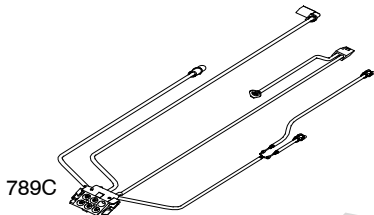
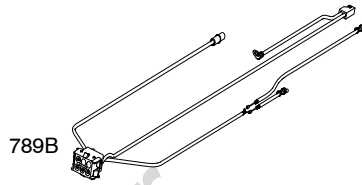
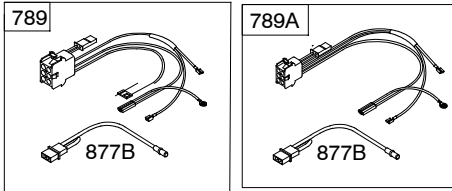
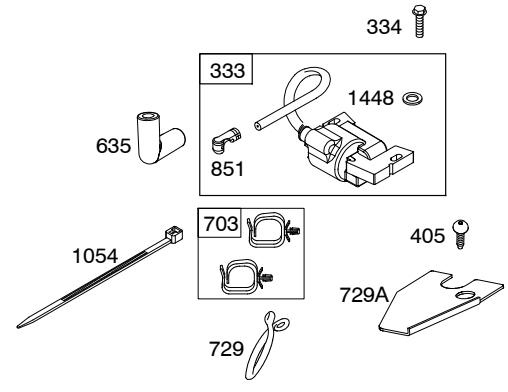
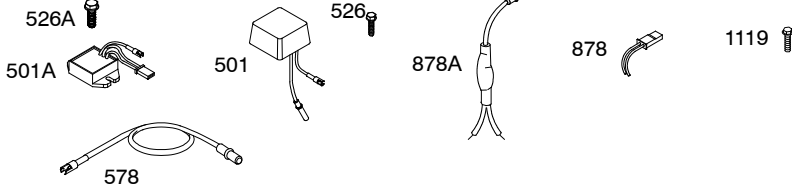
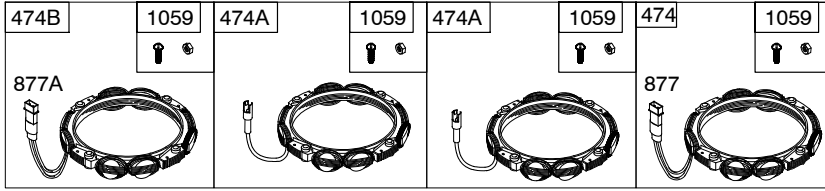


# 445600

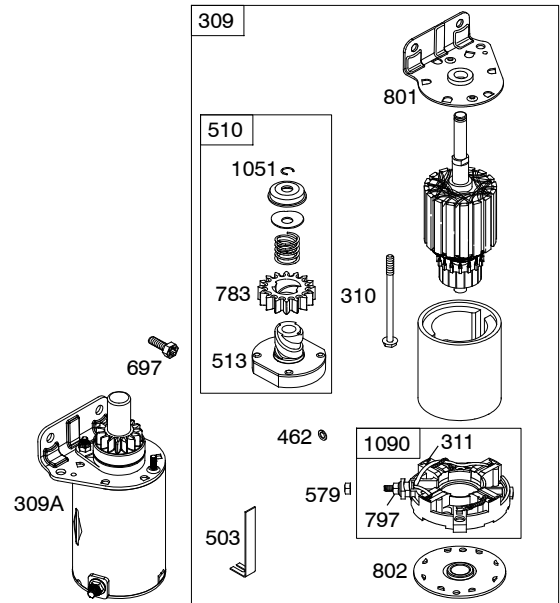




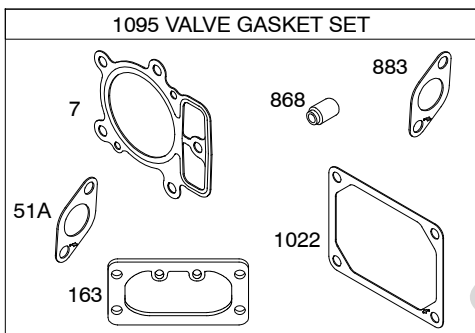
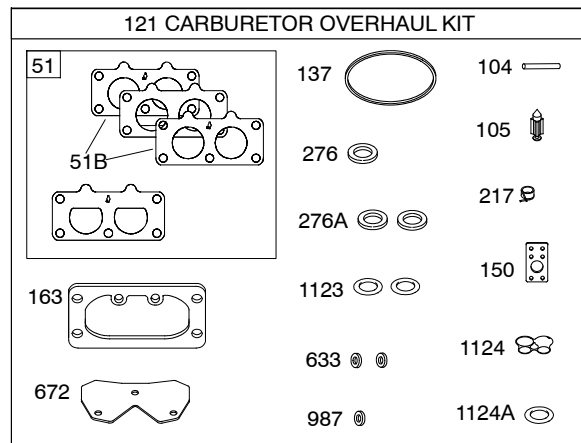
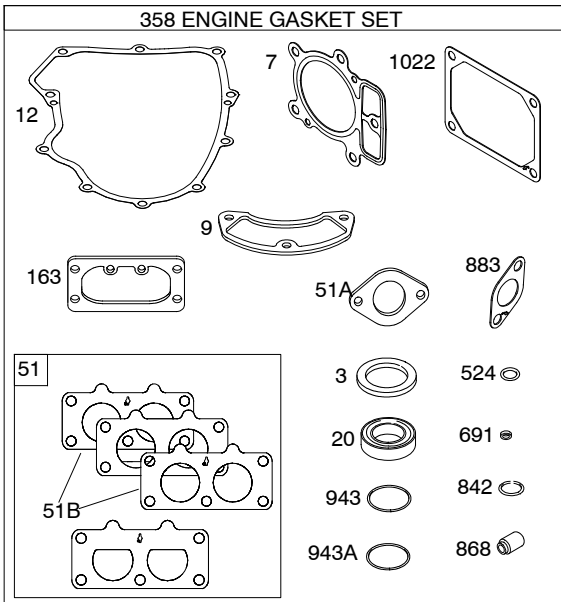
# 445600



Not for  
Reproduction







Not for  
Reproduction

# 445600

REF. NO.	PART NO.	DESCRIPTION	REF. NO.	PART NO.	DESCRIPTION	REF. NO.	PART NO.	DESCRIPTION
1	591695	Cylinder Assembly (Used After Code Date 12051300). ----- Note ----- 793564 Cylinder Assembly (Used Before Code Date 12051400).	22	694966	Screw (Crankcase Cover/Sump)			----- Note ----- 696581 Pin-Piston (Standard)
2	797673	Kit-Bushing/Seal (Magneto Side)	23	691053	Flywheel ----- Note ----- 691054 Flywheel Used on Type No(s). 0112, 0117, 0128, 0827, 1188, 1274, 1344, 1578, 2188, 2344, 3117, 3344, 4188, 5344.			Used on Type No(s). 0001, 0002, 0003, 0112, 0115, 0116, 0117, 0118, 0127, 0128, 0129, 0130, 0954, 0991, 0992, 1113, 1114, 1188, 1198, 1199, 1201, 1262, 1274, 1344, 1578, 2188, 2201, 2262, 2344, 3114, 3115, 3117, 3118, 3130, 3201, 3262, 3344, 4188, 5114, 5115, 5129, 5262, 5344.
3	391086s	Seal-Oil (Magneto Side)	23A	799090	Flywheel Used on Type No(s). 0001, 0130, 0954, 0992, 3114, 3115, 3130, 5114, 5115, 5129.			
4	796307	Sump-Engine	24	222698s	Key-Flywheel	29	796209	Rod-Connecting
5	796231	Head-Cylinder (Cylinder #1)	25	792023	Piston Assembly (Standard) ----- Note ----- 792072 Piston Assembly (.020" Oversize)	32	690976	Screw (Connecting Rod)
5A	796232	Head-Cylinder (Cylinder #2)	26	792026	Ring Set (Standard) (Used After Code Date 05071800). ----- Note ----- 694004 Ring Set (Standard) (Used Before Code Date 05071900). 792073 Ring Set (.020" Oversize) (Used After Code Date 05071800). 694008 Ring Set (.020" Oversize) (Used Before Code Date 05071900).	33	697576	Valve-Exhaust (Chrome)
7	693997	Gasket-Cylinder Head				34	792220	Valve-Intake ----- Note ----- 795199 Valve-Intake Used on Type No(s). 0001, 0002, 0003, 0991, 0992, 3114, 3115, 3117, 3118, 3130, 3201, 3262, 3344, 5262, 5344.
8	792185	Breather Assembly	27	690975	Lock-Piston Pin	35	694865	Spring-Valve (Intake)
9	690937	Gasket-Breather	28	690229	Pin-Piston (Standard) Used on Type No(s). 0110, 0113, 0413, 0420, 0421, 0476, 0503, 0725, 0758, 0759, 0827, 1145, 1274.	36	694865	Spring-Valve (Exhaust)
10	691108	Screw (Breather Assembly)				42	499586	Keeper-Valve
11	792184	Tube-Breather				45	690977	Tappet-Valve
12	697227	Gasket-Crankcase				46	792555	Camshaft (Used After Code Date 06081300). ----- Note ----- 790562 Camshaft (Used Before Code Date 06081400).
13	793988	Screw (Cylinder Head) (Used After Code Date 08063000). ----- Note ----- 791130 Screw (Cylinder Head) (Used Before Code Date 08070100).				50	591784	Manifold-Intake (Used After Code Date 12040200). ----- Note ----- 695241 Manifold-Intake (Used Before Code Date 12040300).
15	691680	Plug-Oil Drain (Used Before Code Date 08071800).						
15A	690946	Plug-Oil Drain (Used After Code Date 08071700).						
16	796237	Crankshaft ----- Note ----- 796256 Crankshaft Used on Type No(s). 0002, 0127, 0476, 0759, 1145, 1201, 2201, 3201. 699701 Crankshaft Used on Type No(s). 0001, 0003, 3114, 3115, 3117, 3118, 3130, 3262, 3344, 5262, 5344.						
20	795387	Seal-Oil (PTO Side)						

REF. NO.	PART NO.	DESCRIPTION	REF. NO.	PART NO.	DESCRIPTION	REF. NO.	PART NO.	DESCRIPTION
51	795123	Gasket-Intake	118	695415	Jet-Main (High Altitude) (Left)(Nikki)		796227	Carburetor Used on Type No(s). 0001, 0002, 0003, 0112, 0954, 0991, 0992, 1188, 1199, 1274, 1578, 2188, 3114, 3115, 3117, 3118, 3130, 3201, 3262, 3344, 4188, 5262, 5344.
51A	690949	Gasket-Intake		699457	Jet-Main (High Altitude) (Left)(Nikki)		796258	Carburetor (Used After Code Date 10041100). Used on Type No(s). 0110, 0127, 0129, 0413, 0420, 0476, 0503, 0725, 1113, 1114, 1262, 1344.
51B	690950	Gasket-Intake			----- Note -----		791230	Carburetor (Used Before Code Date 10041200). Used on Type No(s). 0110, 0127, 0129, 0413, 0420, 0476, 0503, 0725, 1113, 1114, 1262, 1344.
53	690951	Stud (Carburetor)						
54	699816	Screw (Intake Manifold)						
73	494439	Screen-Rotating						
74	698425	Screw (Rotating Screen)						
75	691056	Washer (Flywheel)						
95	690718	Screw (Throttle Valve)						
98	699721	Kit-Idle Speed						
104	694918	Pin-Float Hinge						
105	797410	Valve-Float Needle	118A	843099	Jet-Main (High Altitude) (Right)(Nikki)			
108	699723	Valve-Choke			----- Note -----			
117	791501	Jet-Main (Standard) (Left)(Nikki)			699733 Jet-Main (High Altitude) (Right)(Nikki) Used on Type No(s). 0001, 0002, 0003, 0112, 0954, 0991, 0992, 1188, 1199, 1274, 1578, 2188, 3114, 3115, 3117, 3118, 3130, 3201, 3262, 3344, 4188, 5262, 5344.			
		----- Note -----						
		792296 Jet-Main (Standard) (Left)(Nikki) Used on Type No(s). 0001, 0002, 0003, 0112, 0954, 0991, 0992, 1188, 1199, 1274, 1578,2188, 3114, 3115, 3117, 3118, 3130, 3201, 3262, 3344, 4188, 5262, 5344.						
117A	791502	Jet-Main (Standard) (Right)(Nikki)						
		----- Note -----						
		842627 Jet-Main (Standard) (Right)(Nikki) Used on Type No(s). 0112, 0954, 1188, 1199, 1274, 1578, 2188, 4188.						
		841421 Jet-Main (Standard) (Right)(Nikki) Used on Type No(s). 0001, 0002, 0003, 0991, 0992, 3114, 3115, 3117, 3118, 3130, 3201, 3262, 3344, 5262, 5344.						
			121	797890	Kit- Carburetor Overhaul			
			122	795123	Spacer-Carburetor			
			125	791230	Carburetor			
					----- Note -----			
					796258 Carburetor Used on Type No(s). 0115, 0116, 0117, 0118, 0128, 0130, 1198, 1201, 2201, 2262, 2344, 5114, 5115, 5129.			
						130	690993	Valve-Throttle
						131	499805	Kit-Throttle Shaft
								----- Note -----
								799113 Kit- Throttle Shaft Used on Type No(s). 0001, 0002, 0003, 0991, 0992, 3114, 3115, 3117, 3118, 3130, 3201, 3262, 3344, 5262, 5344.
						133	699724	Float-Carburetor
						135	699729	Tube-Fuel Transfer
						137	690994	Gasket-Float Bowl
						141	796228	Kit-Choke Shaft
						142	699726	Nozzle-Carburetor (Standard)
						146	690979	Key-Timing
						150	841649	Gasket-Nozzle
						160	699727	Retainer-Solenoid
						163	691001	Gasket-Air Cleaner
						165	693148	Nut (Ring Gear)
						186	795985	Connector-Hose (Intake Manifold)
						186A	796532	Connector-Hose (Oil Drain)

# 445600

REF. NO.	PART NO.	DESCRIPTION	REF. NO.	PART NO.	DESCRIPTION	REF. NO.	PART NO.	DESCRIPTION
186B	799158	Connector-Hose (EVAP)		793340	Spring-Governor (Orange)		793340	Spring-Governor (Orange)
186C	845141	Connector-Hose (EVAP)			(Used Before Code Date 10072300).			(Used After Code Date 06081400).
187	791766	Line-Fuel (Cut to Required Length)			Used on Type No(s). 0758, 1145.			Used on Type No(s). 0110, 0420, 0503.
187A	791744	Line-Fuel (Formed) (Cut to Required Length)		793339	Spring-Governor (Light Green)		790034	Spring-Governor (Black)
187B	791801	Line-Fuel (Formed) (Cut to Required Length)			(Used Before Code Date 10072300).			(Used Before Code Date 06081500).
188	691108	Screw (Control Bracket)			Used on Type No(s). 0127, 0759, 0827.			Used on Type No(s). 0110, 0413, 0420, 0421, 0476, 0503, 0725.
192	690083	Adjuster-Rocker Arm		797833	Spring-Governor (Brown)	209A	798921	Spring-Governor (Orange)
209	796224	Spring-Governor (Yellow/Black)			(Used Before Code Date 10072300).			(Used on Type No(s). 0002, 0003, 0116, 0991, 0992, 1578, 2188, 2201, 3201, 4188.
		Used on Type No(s). 1274.		793339	Spring-Governor (Light Green)			----- Note -----
		----- Note -----			(Used Before Code Date 10072300 and After Code Date 06081400).			799169 Spring-Governor (Dark Blue)
		793342 Spring-Governor (Dark Blue)			(Used Before Code Date 10072300).			Used on Type No(s). 0001, 0112, 0117, 0118, 2262, 2344, 3114, 3115, 3117, 3118, 3130, 3262, 3344, 5114, 5115, 5129, 5262, 5344.
		(Used Before Code Date 10072300).		797826	Spring-Governor (Yellow)			799171 Spring-Governor (Light Blue)
		Used on Type No(s). 0113.			(Used Before Code Date 10072300).			Used on Type No(s). 0130, 0954, 3130.
		797826 Spring-Governor (Yellow)			(Used Before Code Date 10072300).			798921 Spring-Governor (Orange)
		(Used Before Code Date 10072300).		793527	Spring-Governor (Red)			(Used After Code Date 10072200).
		Used on Type No(s). 0129.			(Used Before Code Date 10072300).			Used on Type No(s). 0127, 0128, 0413, 0421, 0476, 0759, 0827, 1188, 1198, 1199, 1201, 1262, 1344.
		793527 Spring-Governor (Red)			(Used Before Code Date 10072300).			
		(Used Before Code Date 10072300).		793339	Spring-Governor (Light Green)			
		Used on Type No(s). 1113.			(Used After Code Date 06081400).			
		796224 Spring-Governor (Yellow/Black)			Used on Type No(s). 0725.			
		(Used Before Code Date 10072300).						
		Used on Type No(s). 0128, 1188, 1198, 1199, 1201, 1262, 1344.						

REF. NO.	PART NO.	DESCRIPTION	REF. NO.	PART NO.	DESCRIPTION	REF. NO.	PART NO.	DESCRIPTION																																					
211	691019	799169 Spring-Governor (Dark Blue) (Used After Code Date 10072200). Used on Type No(s). 0113, 0115, 0129, 1113, 1114.	212	695238	Link-Throttle	222E	798915	Bracket-Control (V3 Choke-A-Matic) Used on Type No(s). 0112, 0130, 0954, 1578, 2188, 2201, 2262, 2344, 4188. ----- Note -----																																					
		799168 Spring-Governor (Silver) (Used After Code Date 10072200). Used on Type No(s). 0758, 1145.	213	691021	Bracket-Choke Control				798915	Bracket-Control (V3 Choke-A-Matic) (Used After Code Date 10072200). Used on Type No(s). 0115, 0128, 1188, 1198, 1199, 1201, 1274.																																			
		Spring-Governed Idle (No Color) Used on Type No(s). 0001, 0002, 0003, 0110, 0112, 0113, 0116, 0117, 0118, 0127, 0130, 0413, 0420, 0421, 0476, 0725, 0758, 0759, 0827, 0954, 0991, 0992, 1113, 1145, 1578, 2188, 2201, 2262, 2344, 3114, 3115, 3117, 3118, 3130, 3201, 3262, 3344, 4188, 5114, 5115, 5129, 5262, 5344.	216	691022	Link-Choke (Manual Choke Link)						222F	592555	Bracket-Control (Choke-A-Matic) Used on Type No(s). 0003, 0991, 0992, 3115, 3117, 3118, 3130, 3201, 5262, 5344.																																
		----- Note -----	216A	796229	Link-Choke (Choke-A-Matic Link)									227	798856	Lever-Governor Control																													
		691019 Spring-Governed Idle (No Color) (Used After Code Date 10072200). Used on Type No(s). 0115, 0128, 0129, 1114, 1188, 1198, 1201, 1262, 1274, 1344.	217	799771	Spring-Choke Return												231	690718	Screw (Choke Valve)																										
		----- Note -----	219	793338	Gear-Governor															239	697049	Switch-Oil Pressure Used on Type No(s). 0110. ----- Note -----																							
		691019 Spring-Governed Idle (No Color) (Used After Code Date 10072200). Used on Type No(s). 0115, 0128, 1188, 1198, 1199, 1201, 1274.	220	799772	Washer (Governor Gear)																		792028	Switch-Oil Pressure Used on Type No(s). 0001, 0113, 0115, 0129, 0954, 0991, 0992, 1113, 1114, 3114, 3115, 5114, 5115, 5129.																					
		----- Note -----	221	841026	Cup-Governor																				240	691035	Filter-Fuel																		
		691019 Spring-Governed Idle (No Color) (Used After Code Date 10072200). Used on Type No(s). 0115, 0128, 0129, 1114, 1188, 1198, 1199, 1201, 1262, 1274, 1344.	222	698757	Bracket-Control (EU Manual Choke) Used on Type No(s). 0503, 0758, 1145.																							240A	695666	Filter-Fuel Used on Type No(s). 0112, 0954, 1188, 1199, 1274, 1578, 2188, 4188.															
		----- Note -----	222A	698761	Bracket-Control (Manual Choke) Used on Type No(s). 0110, 0113, 0127, 0413, 0420, 0421, 0476, 0725, 0759, 0827, 1113.																										250	690957	Retainer-Breather												
		691019 Spring-Governed Idle (No Color) (Used After Code Date 10072200). Used on Type No(s). 0115, 0128, 1188, 1198, 1199, 1201, 1262, 1274, 1344.	222B	796630	Bracket-Control (Manual Choke) (Used Before Code Date 10072300). Used on Type No(s). 0129, 1114, 1262, 1344.																													252	794389	Collector-Oil									
		----- Note -----	222C	796226	Bracket-Control (Choke-A-Matic) (Used Before Code Date 10072300). Used on Type No(s). 0115, 0128, 1188, 1198, 1199, 1201, 1274.																																265	691024	Clamp-Casing						
		691019 Spring-Governed Idle (No Color) (Used After Code Date 10072200). Used on Type No(s). 0115, 0128, 0129, 1114, 1188, 1198, 1199, 1201, 1262, 1274, 1344.	222D	798916	Bracket-Control (V3 Manual Choke) Used on Type No(s). 0001, 0002, 0116, 3114, 3262, 3344, 5114, 5129.																																			267	792629	Screw (Casing Clamp)			
		----- Note -----	----- Note -----	798916	Bracket-Control (V3 Manual Choke) (Used After Code Date 10072200). Used on Type No(s). 0129, 1114, 1262, 1344.																																						276	690997	Washer-Sealing (Fiber)
		691019 Spring-Governed Idle (No Color) (Used After Code Date 10072200). Used on Type No(s). 0115, 0128, 0129, 1114, 1188, 1198, 1199, 1201, 1262, 1274, 1344.	----- Note -----	----- Note -----	798916																																								
----- Note -----	----- Note -----	798916	Bracket-Control (V3 Manual Choke) (Used After Code Date 10072200). Used on Type No(s). 0129, 1114, 1262, 1344.																																										

# 445600

REF. NO.	PART NO.	DESCRIPTION	REF. NO.	PART NO.	DESCRIPTION	REF. NO.	PART NO.	DESCRIPTION
<b>276A</b>	<b>695410</b>	Washer-Sealing (Aluminum Float Bowl) ----- <b>Note</b> ----- <b>794271</b> Washer-Sealing (Steel Float Bowl)	<b>304C</b>	<b>591656</b>	Housing-Blower (Black) Used on Type No(s). 0001, 0002, 0003, 0991, 0992, 3115, 3117, 3118, 3130, 3201, 3262, 3344, 5262, 5344. ----- <b>Note</b> ----- <b>591656</b> Housing-Blower (Red) Used on Type No(s). 3114.	<b>306B</b>	<b>591666</b>	Shield-Cylinder (Cylinder #2) Used on Type No(s). 0001, 0002, 0003, 0991, 0992, 3114, 3115, 3117, 3118, 3130, 3201, 3262, 3344, 5262, 5344.
<b>278</b>	<b>792651</b>	Washer (Governor Control Lever)	<b>305</b>	<b>691005</b>	Screw (Blower Housing) (1/4-20x.68)	<b>307</b>	<b>691003</b>	Screw (Cylinder Shield)
<b>287</b>	<b>697820</b>	Screw (Dipstick Tube)	<b>305A</b>	<b>691061</b>	Screw (Blower Housing) (#8-32x.87)	<b>307A</b>	<b>691108</b>	Screw (Cylinder Shield)
<b>300</b>	<b>696226</b>	Muffler Used on Type No(s). 0110.	<b>305B</b>	<b>790690</b>	Screw (Blower Housing to Intake Elbow)	<b>309</b>	<b>795121</b>	Motor-Starter ----- <b>Note</b> ----- <b>497595</b> Motor-Starter Used on Type No(s). 0003, 0112, 0117, 0118, 0128, 0725, 0758, 0759, 0827, 0991, 1145, 1188, 1198, 1199, 1201, 1262, 1274, 1344, 1578, 2188, 2201, 2262, 2344, 3117, 3118, 3201, 3262, 3344, 4188, 5262, 5344.
<b>304</b>	<b>790688</b>	Housing-Blower (Used Before Code Date 06103000). Used on Type No(s). 0110, 0413, 0420, 0421, 0476, 0503.	<b>306</b>	<b>796852</b>	Shield-Cylinder (Cylinder #1) (Used After Code Date 09081100). ----- <b>Note</b> ----- <b>691012</b> Shield-Cylinder (Cylinder #1) (Used Before Code Date 09081200).	<b>309A</b>	<b>590476</b>	Motor-Starter Used on Type No(s). 0001, 0002, 0130, 0954, 0992, 3114, 3115, 3130, 5114, 5115, 5129.
<b>304A</b>	<b>799954</b>	Housing-Blower Used on Type No(s). 0113, 0115, 0116, 0117, 0118, 0127, 0128, 0129, 0130, 0725, 0758, 0759, 0827, 1113, 1114, 1145, 1198, 1201, 1262, 2201, 2262, 2344, 5114, 5115, 5129. ----- <b>Note</b> ----- <b>799954</b> Housing-Blower (Used After Code Date 06102900). Used on Type No(s). 0110, 0413, 0420, 0421, 0476, 0503.	<b>306A</b>	<b>798855</b>	Shield-Cylinder (Cylinder #2) (Used After Code Date 10052300). ----- <b>Note</b> ----- <b>796541</b> Shield-Cylinder (Cylinder #2) (Used Before Code Date 10052400 and After Code Date 08080300). <b>793205</b> Shield-Cylinder (Cylinder #2) (Used Before Code Date 08080400).	<b>310</b>	<b>691263</b>	Screw (Starter Motor) ----- <b>Note</b> ----- <b>690323</b> Screw (Starter Motor) Used on Type No(s). 0112, 0117, 0118, 0128, 0725, 0758, 0759, 0827, 1145, 1188, 1198, 1199, 1201, 1262, 1274, 1344, 1578, 2188, 2201, 2262, 2344, 4188.
<b>304B</b>	<b>799955</b>	Housing-Blower Used on Type No(s). 0112, 0954, 1188, 1199, 1274, 1578, 2188, 4188.				<b>311</b>	<b>497608</b>	Brush Set
						<b>332</b>	<b>691059</b>	Nut (Flywheel)
						<b>333</b>	<b>799651</b>	Armature-Magneto
						<b>334</b>	<b>691061</b>	Screw (Magneto Armature)

REF. NO.	PART NO.	DESCRIPTION	REF. NO.	PART NO.	DESCRIPTION	REF. NO.	PART NO.	DESCRIPTION
337	491055s	Plug-Spark ----- Note ----- 691043 Plug-Spark Used on Type No(s). 0001, 0110, 0113, 0115, 0117, 0118, 0128, 0129, 0413, 0476, 0503, 0758, 1113, 1114, 1145, 1262, 1344, 2262, 2344, 3114, 3115, 3117, 3118, 3262, 3344, 5114, 5115, 5129, 5262, 5344. 793541 Plug-Spark Used on Type No(s). 0112, 1578.	445B	591334	Filter-Air Cleaner Cartridge (EVAP) Used on Type No(s). 0001, 0002, 0003, 0991, 0992, 3114, 3115, 3117, 3118, 3130, 3201, 3262, 3344, 5262, 5344.	501A	797375	Regulator (10-16 Amp.) ----- Note ----- 845907 Regulator (10-16 Amp.) Used on Type No(s). 0001, 0002, 0003, 3114, 3115, 3117, 3118, 3130, 3201, 3262, 5262.
358	694012	Gasket Set-Engine	447	691003	Screw (Air Guide Cover)	503	691532	Strap-Starter
363	19203	Puller-Flywheel	462	691261	Washer (Starter Cable)	505	691029	Nut (Governor Control Lever)
377	690979	Key-Woodruff	467	691008	Knob-Air Cleaner (1 1/2" Long)	510	696541	Drive-Starter
383	19576S	Wrench-Spark Plug	467A	790697	Knob-Air Cleaner (1" Long)	512	796530	Hose-Oil Drain
385	797409	Screw (Fuel Pump Mounted On Blower Housing) ----- Note ----- 691108 Screw (Fuel Pump Mounted On Fuel Pump Bracket)	474	696459	Alternator (Dual Circuit)	513	692024	Clutch-Drive
387	808656	Pump-Fuel	474A	696457	Alternator (5/9 Amp. Regulated Or Tri Circuit) ----- Note ----- 592829 Alternator (5/9 Amp. Regulated Or Tri Circuit) Used on Type No(s). 0991, 0992, 3117, 3344, 5344.	523	691036	Dipstick
404	690442	Washer (Governor Crank)	474B	696458	Alternator (10-16 Amp. Regulated) ----- Note ----- 592830 Alternator (10-16 Amp. Regulated) Used on Type No(s). 0001, 0002, 0003, 3114, 3115, 3118, 3130, 3201, 5262.	524	691032	Seal-Dipstick Tube
405	697820	Screw (Back Plate)				525	691037	Tube-Dipstick
415	794903	Plug				526	691129	Screw (Regulator) (5/9 Amp. Regulated)
418	795912	Plate-Carburetor				526A	691108	Screw (Regulator) (10-16 Amp. Regulated)
431	798859	Elbow-Intake (EVAP)				552	690552	Bushing- Governor Crank ----- Note ----- 796638 Bushing- Governor Crank Used on Type No(s). 0001, 0002, 0003, 0112, 0115, 0116, 0117, 0118, 0127, 0128, 0129, 0130, 0954, 0991, 0992, 1113, 1114, 1188, 1198, 1199, 1201, 1262, 1274, 1344, 1578, 2188, 2201, 2262, 2344, 3114, 3115, 3117, 3118, 3130, 3201, 3262, 3344, 4188, 5114, 5115, 5129, 5262, 5344.
431A	591661	Elbow-Intake (EVAP) Used on Type No(s). 0001, 0002, 0003, 0991, 0992, 3114, 3115, 3117, 3118, 3130, 3201, 3262, 3344, 5262, 5344.				552A	690553	Bushing- Governor Crank
445	499486s	Filter-Air Cleaner Cartridge	501	691188	Regulator (5 /9 Amp.) ----- Note ----- 794360 Regulator (5 /9 Amp.) Used on Type No(s). 0991, 0992.			
445A	792105	Filter-Air Cleaner Cartridge Used on Type No(s). 0112, 0954, 1188, 1199, 1274, 1578, 2188, 4188.						

# 445600

REF. NO.	PART NO.	DESCRIPTION	REF. NO.	PART NO.	DESCRIPTION	REF. NO.	PART NO.	DESCRIPTION
562	690311	Bolt (Governor Control Lever)	668	691500	Spacer	789A	696576	Harness-Wiring (6 Pin, #2 Side Regulator. Without EFM. Without Oil Pressure Switch. Wire Assembly Includes Blue Hour Meter/Oil Minder Wire. Service Kit Includes Red Regulator To 2 Pin Jumper Wire.)
563	799359	Screw (Debris Guard)	668A	691215	Spacer	789B	591392	Harness-Wiring (6 Pin, #1 Side Regulator. Without EFM. Without Oil Pressure Switch.) (Used After Code Date 12042200). ----- Note ----- 797424 Harness- Wiring (6 Pin, #1 Side Regulator. Without EFM. Without Oil Pressure Switch.) (Used Before Code Date 12042300).
573	790444	Plate-Back	672	690234	Gasket-Carburetor Plate	789C	591393	Harness-Wiring (6 Pin, #1 Side Regulator. Without EFM. Without Oil Pressure Switch. Wire Assembly Includes Green Oil Pressure Switch Wire.) (Used After Code Date 12042200). ----- Note ----- 797460 Harness- Wiring (6 Pin, #1 Side Regulator. Without EFM. Without Oil Pressure Switch. Wire Assembly Includes Green Oil Pressure Switch Wire.) (Used Before Code Date 12042300).
578	691208	Wire Assembly (18" Long-Used On Cylinder #1 Mounted Regulator) ----- Note ----- 797463 Wire Assembly (14" Long-Used On Cylinder #2 Mounted Regulator)	691	790574	Seal-Governor Shaft ----- Note ----- 690657 Seal- Governor Shaft Used on Type No(s). 0001, 0002, 0003, 0991, 0992, 3114, 3115, 3117, 3118, 3130, 3201, 3262, 3344, 5262, 5344.			
579	691029	Nut (Starter Cable)	695	693149	Screw (Ring Gear)			
601	791850	Clamp-Hose (Green) ----- Note ----- 691038 Clamp-Hose (Black)	697	591909	Screw (Drive Cap)			
613	690341	Screw (Muffler)	703	691010	Clip			
613A	690297	Screw (Muffler)	718	690959	Pin-Locating			
615	698290	Retainer- Governor Shaft	726	499612	Gear-Ring			
616	691045	Crank-Governor	729	694123	Clip-Wire			
617	697891	Seal-O Ring (Intake Manifold)	729A	797454	Clip-Wire			
628	691108	Screw (Fuel Pump Bracket) (Used Before Code Date 06072800).	741	690980	Gear-Timing			
633	690998	Seal- Choke/Throttle Shaft (Manual Choke) ----- Note ----- 699813 Seal- Choke/Throttle Shaft (Choke-A-Matic)	742	690328	Retainer-E Ring			
635	692076	Boot-Spark Plug ----- Note ----- 66538s Boot- Spark Plug Used on Type No(s). 0001, 0002, 0003, 0991, 0992, 3114, 3115, 3117, 3118, 3130, 3201, 3262, 3344, 5262, 5344.	750	696999	Screw (Oil Pump Cover) (Used Before Code Date 08071800).			
654	690958	Nut (Carburetor)	750A	796208	Screw (Oil Pump Cover) (Used After Code Date 08071700).			
			783	695708	Gear-Pinion			
			788	691039	Bracket-Fuel Pump (Used Before Code Date 06072800).			
			788A	793145	Bracket-Fuel Pump (Used After Code Date 06072700).			
			789	698330	Harness-Wiring (6 Pin, #2 Side Regulator. Without EFM. Wire Assembly Includes Green Oil Pressure Switch Wire. Remove If Not Needed. Service Kit Includes Red Regulator To 2 Pin Jumper Wire.)			



REF. NO.	PART NO.	DESCRIPTION	REF. NO.	PART NO.	DESCRIPTION	REF. NO.	PART NO.	DESCRIPTION
<b>789D</b>	<b>591934</b>	Harness-Wiring (6 Pin, #1 Side Regulator. Without EFM. Without Oil Pressure Switch. Wire Assembly Includes Blue Hour Meter/Oil Minder Wire.) (Used After Code Date 12042200). ----- Note ----- <b>797461</b> Harness- Wiring (6 Pin, #1 Side Regulator. Without EFM. Without Oil Pressure Switch. Wire Assembly Includes Blue Hour Meter/Oil Minder Wire.) (Used Before Code Date 12042300).	<b>868</b>	<b>690968</b>	Seal-Valve	<b>947</b>	<b>798779</b>	Solenoid-Fuel (Used On Double Barrel Aluminum Bowl Carburetors) ----- Note ----- <b>NOT AVAILABLE</b> Solenoid-Fuel (Used After Code Date 04080300). Used On Double Barrel Steel Bowl Carburetors) (Must Service With Reference 975 Bowl/Solenoid Kit)
			<b>877</b>	<b>393456</b>	Wire/Connector- Alternator			
			<b>877A</b>	<b>393537</b>	Wire/Connector- Alternator	<b>947A</b>	<b>499809</b>	Solenoid-Fuel (Used Before Code Date 04080400). (Used On Double Barrel Steel Bowl Carburetors)
			<b>877B</b>	<b>399916</b>	Wire/Connector- Alternator			
			<b>877C</b>	<b>790544</b>	Wire/Connector- Alternator			
			<b>878</b>	<b>398661</b>	Harness-Alternator			
			<b>878A</b>	<b>691955</b>	Harness-Alternator			
			<b>883</b>	<b>690970</b>	Gasket-Exhaust			
			<b>914</b>	<b>691127</b>	Screw (Rocker Cover)			
			<b>914A</b>	<b>797176</b>	Screw (Rocker Cover) Used on Type No(s). 0001, 0002, 0003, 0991, 0992, 3114, 3115, 3117, 3118, 3130, 3201, 3262, 3344, 5262, 5344.			
<b>797</b>	<b>693167</b>	Nut (Brush Retainer)	<b>918</b>	<b>793147</b>	Hose-Vacuum (Formed)	<b>949</b>	<b>798767</b>	Guard-Debris Screen
<b>798</b>	<b>697890</b>	Screw (Rocker Arm)	<b>918A</b>	<b>797408</b>	Hose-Vacuum (Length 3.2 Inches) ----- Note ----- <b>694000</b> Hose-Vacuum (Length 1.6 Inches)	<b>964</b>	<b>799159</b>	Cap-Connector
<b>801</b>	<b>691283</b>	Cap-Drive				<b>965</b>	<b>499613</b>	Cover-Oil Pump (Used Before Code Date 08071800).
<b>802</b>	<b>691286</b>	Cap-End	<b>918B</b>	<b>799160</b>	Hose-Vacuum (Length 9.4 Inches)	<b>965A</b>	<b>796221</b>	Cover-Oil Pump (Used After Code Date 08071700).
<b>842</b>	<b>691031</b>	Seal-O Ring (Dipstick Tube)	<b>929</b>	<b>695239</b>	Screw (Choke Control Bracket)	<b>967</b>	<b>273638s</b>	Filter-Pre Cleaner
<b>847</b>	<b>499602</b>	Dipstick/Tube Assembly	<b>934</b>	<b>592604</b>	Screw (Fan Mounting)	<b>967A</b>	<b>792303</b>	Filter-Pre Cleaner Used on Type No(s). 0112, 0954, 1188, 1199, 1274, 1578, 2188, 4188.
<b>850</b>	<b>100106</b>	Sealant-Liquid	<b>943</b>	<b>690589</b>	Seal-O Ring (Oil Pump Cover) (Used Before Code Date 08071800).	<b>968</b>	<b>795120</b>	Cover-Air Cleaner Used on Type No(s). 0112, 0954, 1188, 1199, 1274, 1578, 2188, 4188.
<b>851</b>	<b>493880s</b>	Terminal-Spark Plug	<b>943A</b>	<b>796222</b>	Seal-O Ring (Oil Pump Cover) (Used After Code Date 08071700).	<b>968A</b>	<b>790689</b>	Cover-Air Cleaner (Used Before Code Date 06103000).
<b>865</b>	<b>691015</b>	Cover-Air Guide (Valley)						
<b>865A</b>	<b>792286</b>	Cover-Air Guide (Valley) Used on Type No(s). 0112, 0954, 1188, 1199, 1274, 1578, 2188, 4188.						
<b>865B</b>	<b>591667</b>	Cover-Air Guide (Valley) Used on Type No(s). 0001, 0002, 0003, 0991, 0992, 3114, 3115, 3117, 3118, 3130, 3201, 3262, 3344, 5262, 5344.						

# 445600

REF. NO.	PART NO.	DESCRIPTION	REF. NO.	PART NO.	DESCRIPTION	REF. NO.	PART NO.	DESCRIPTION
<b>968B</b>	<b>791242</b>	Cover-Air Cleaner Used on Type No(s). 0113, 0115, 0116, 0117, 0118, 0127, 0128, 0129, 0130, 0725, 0758, 0759, 0827, 1113, 1114, 1145, 1198, 1201, 1262, 1344, 2201, 2262, 2344, 5114, 5115, 5129. ----- Note ----- <b>791242</b> Cover- Air Cleaner (Used After Code Date 06102900).	<b>987</b>	<b>691000</b>	Seal-Throttle Shaft	<b>1026A</b>	<b>690982</b>	Rod-Push (Aluminum)
			<b>1005</b>	<b>791236</b>	Fan-Flywheel Used on Type No(s). 0001, 0002, 0003, 0112, 0115, 0116, 0117, 0118, 0127, 0128, 0129, 0130, 0725, 0758, 0759, 0827, 0954, 0991, 0992, 1113, 1114, 1145, 1188, 1198, 1199, 1201, 1262, 1274, 1344, 1578, 2188, 2201, 2262, 2344, 3114, 3115, 3117, 3118, 3130, 3201, 3262, 3344, 4188, 5114, 5115, 5129, 5262, 5344. ----- Note ----- <b>791236</b> Fan-Flywheel (Used After Code Date 06102900).	<b>1027</b>	<b>492932s</b>	Filter-Oil (Black) ----- Note ----- <b>795890</b> Filter-Oil (Yellow)
						<b>1029</b>	<b>690972</b>	Arm-Rocker
						<b>1029A</b>	<b>807323</b>	Arm-Rocker
						<b>1036</b>		Label-Emissions (Available from a Briggs & Stratton Authorized Dealer)
<b>968C</b>	<b>591658</b>	Cover-Air Cleaner Used on Type No(s). 0001, 0002, 0003, 0991, 0992, 3114, 3115, 3117, 3118, 3130, 3201, 3262, 3344, 5262, 5344.				<b>1040</b>	<b>791237</b>	Plate-Trim
						<b>1051</b>	<b>691265</b>	Ring-Retaining
						<b>1054</b>	<b>280275</b>	Tie-Cable
						<b>1058</b>	<b>381258TRI</b>	Operator's Manual
						<b>1058381258WST</b>		Operator's Manual Used on Type No(s). 0001, 0002, 3114, 3115, 3130.
						<b>1059</b>	<b>698516</b>	Kit-Screw/Washer (Alternator)
<b>975</b>	<b>798778</b>	Bowl-Float/Solenoid (Used After Code Date 04080300). (Used On Double Barrel Steel And Aluminum Bowl Carburetors)				<b>1070</b>	<b>791680</b>	Screw (Flywheel Fan)
			<b>1012</b>	<b>797926</b>	Retainer-Link	<b>1090</b>	<b>691293</b>	Retainer-Brush
			<b>1012A</b>	<b>592556</b>	Retainer-Link	<b>1095</b>	<b>694013</b>	Gasket Set-Valve
			<b>1013</b>	<b>690954</b>	Nipple-Oil Filter	<b>1100</b>	<b>791959</b>	Pivot-Rocker Arm
			<b>1017</b>	<b>690770</b>	Screen-Oil Pump (Used Before Code Date 08071800).	<b>1119</b>	<b>691183</b>	Screw (Alternator)
<b>975A</b>	<b>499810</b>	Bowl-Float (Used Before Code Date 04080400) (Used On Double Barrel Steel Bowl Carburetors)	<b>1017A</b>	<b>796214</b>	Screen-Oil Pump (Used After Code Date 08071700).	<b>1123</b>	<b>699725</b>	Seal-O Ring (Solenoid Retainer)
						<b>1124</b>	<b>690988</b>	Seal-O Ring (Fuel Transfer Tube)
			<b>1022</b>	<b>690971</b>	Gasket-Rocker Cover	<b>1124A</b>	<b>841653</b>	Seal-O Ring (Fuel Transfer Tube)
<b>975B</b>	<b>799114</b>	Bowl-Float Used on Type No(s). 0001, 0002, 0003, 0991, 0992, 3114, 3115, 3117, 3118, 3130, 3201, 3262, 3344, 5262, 5344.	<b>1023</b>	<b>793146</b>	Cover-Rocker (Cylinder #1) (Used After Code Date 06072700). ----- Note ----- <b>499599</b> Cover-Rocker (Cylinder #1) (Used Before Code Date 06072800).	<b>1126</b>	<b>690991</b>	Screw (Fuel Transfer Tube)
						<b>1127</b>	<b>695407</b>	Screw (Aluminum Float Bowl)
			<b>1023A</b>	<b>499600</b>	Cover-Rocker (Cylinder #2)	<b>1127A</b>	<b>690992</b>	Screw (Steel Float Bowl)
			<b>1024</b>	<b>794644</b>	Pump-Oil (Used Before Code Date 08071800).	<b>1128</b>	<b>690990</b>	Screw (Carburetor Nozzle)
			<b>1024A</b>	<b>796220</b>	Pump-Oil (Used After Code Date 08071700).	<b>1169</b>	<b>690990</b>	Screw (Carburetor Cover Plate)
			<b>1026</b>	<b>690981</b>	Rod-Push (Steel)	<b>1319</b>	<b>794467</b>	Label-Warning
						<b>1319A</b>	<b>797669</b>	Label-Warning
						<b>1330</b>	<b>273521</b>	Repair Manual
						<b>1342</b>	<b>699731</b>	Extension- Fuel Transfer Tube (Steel Float Bowl)
						<b>1448</b>	<b>690260</b>	Washer (Magneto Armature)

Not for  
Reproduction

Not for  
Reproduction

