



(en) *Operator's Manual*

(da) *Betjeningsvejledning*

(de) *Bedienungsanleitung*

(el) *Εγχειρίδιο Χρήσης*

(es) *Manual del Operario*

(fi) *Käyttäjän käsikirja*

(fr) *Manuel d'utilisation*

(it) *Manuale dell'Operatore*

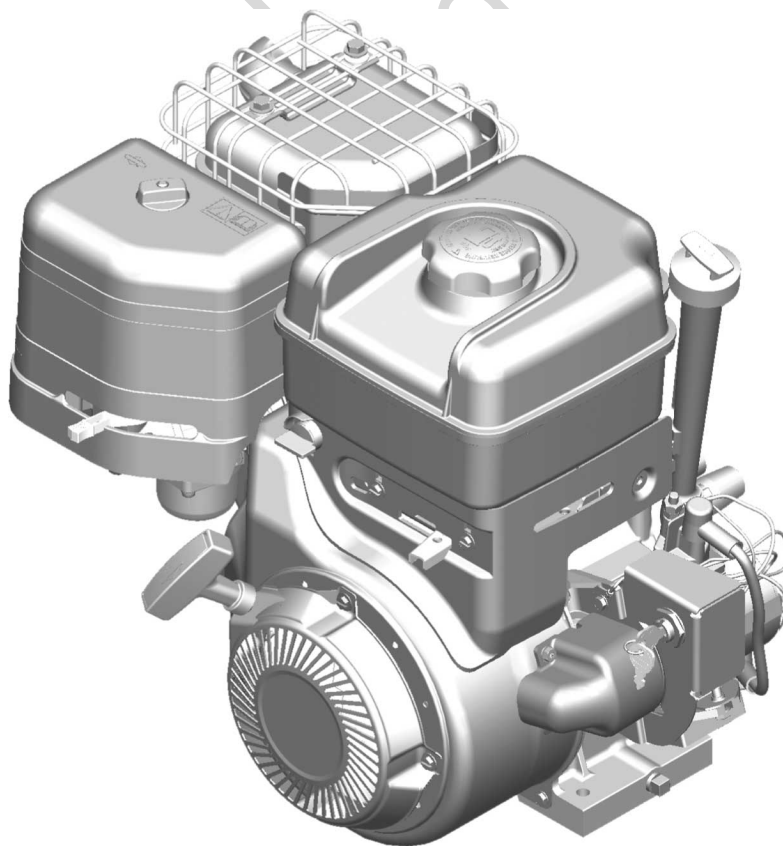
(nl) *Gebruiksaanwijzing*

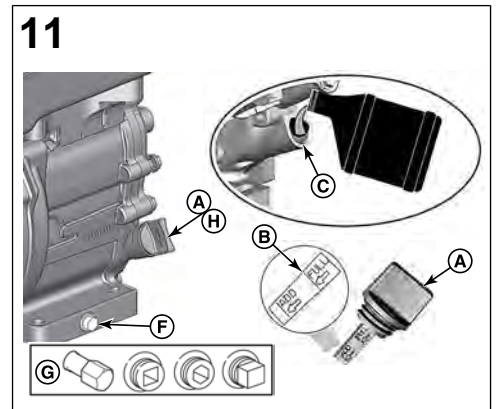
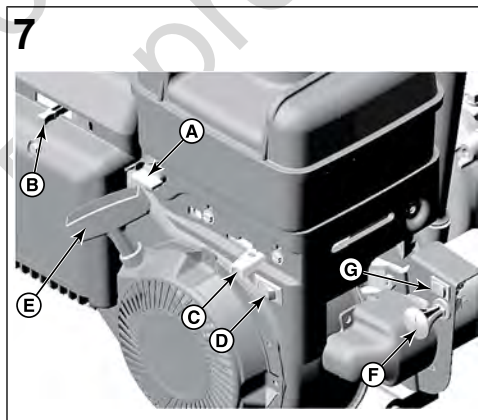
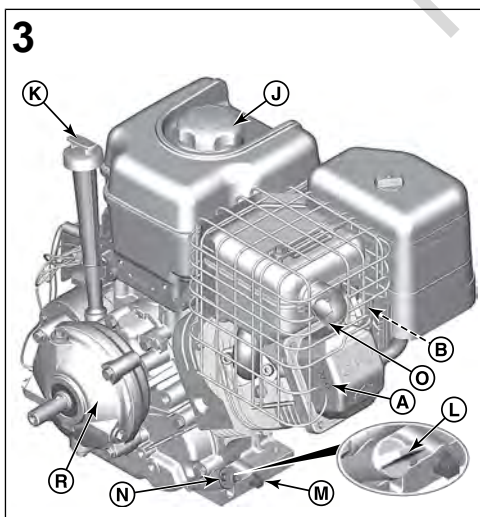
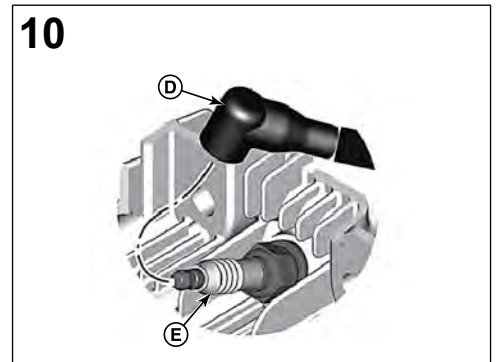
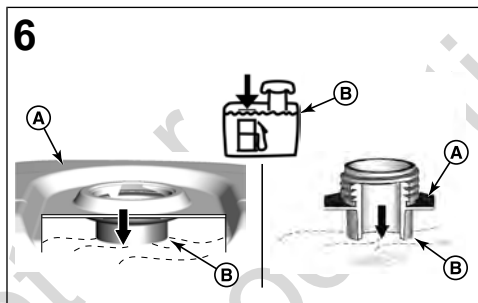
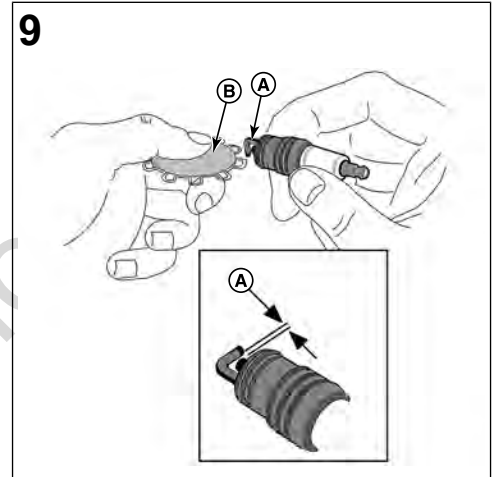
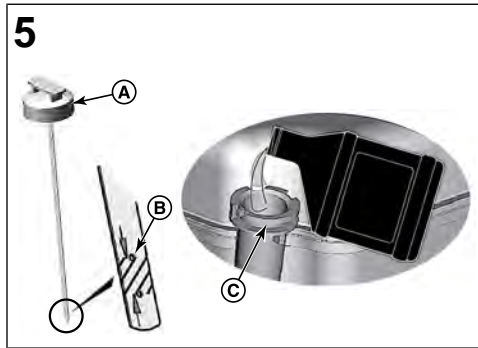
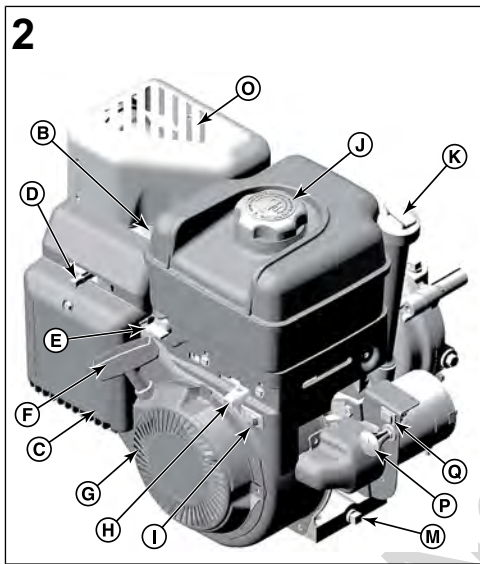
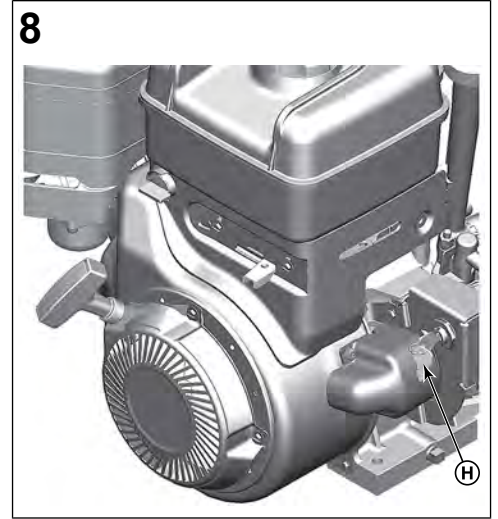
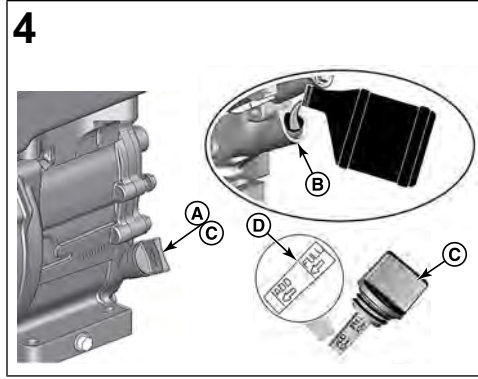
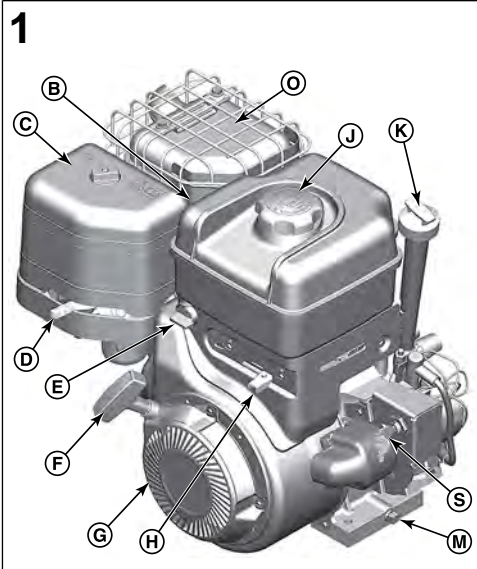
(no) *Brukerhåndbok*

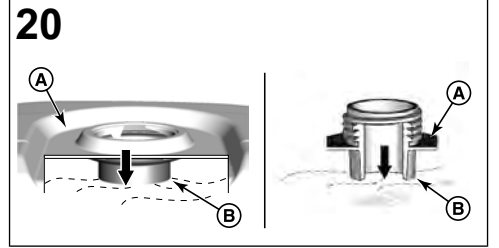
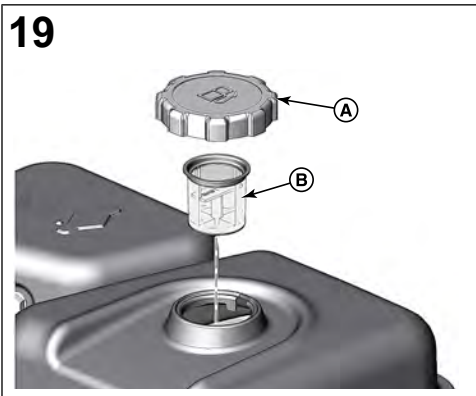
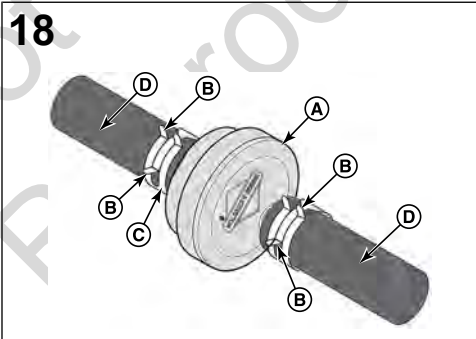
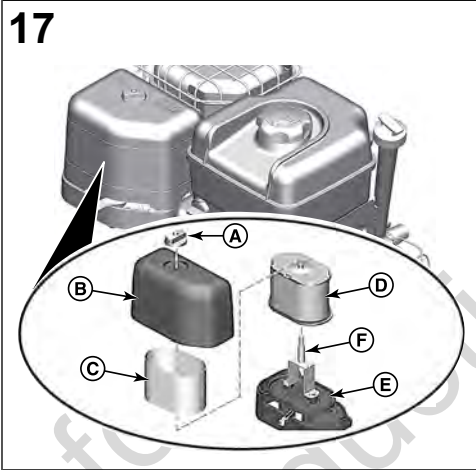
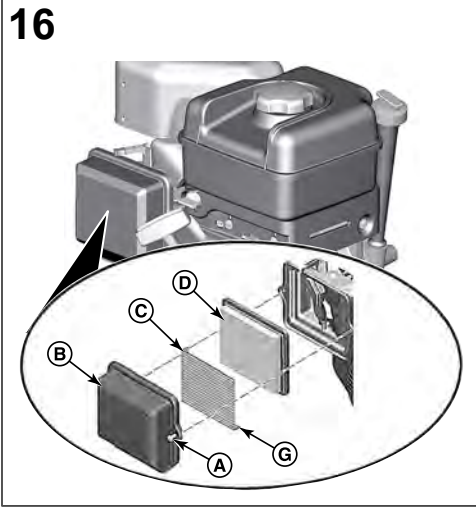
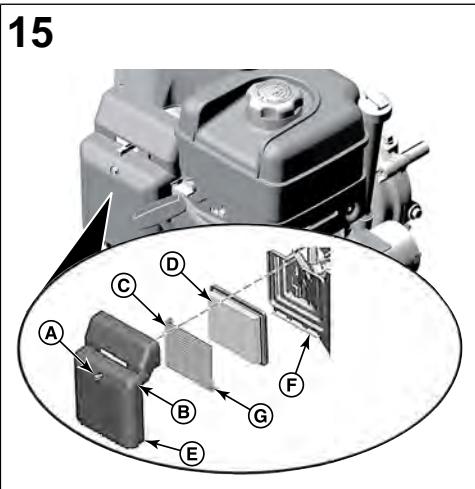
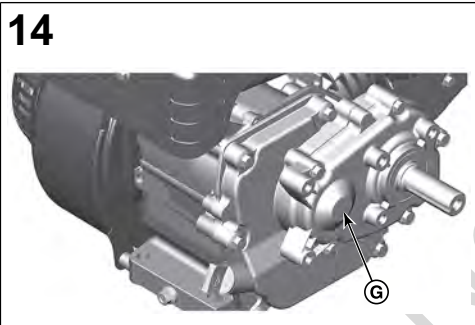
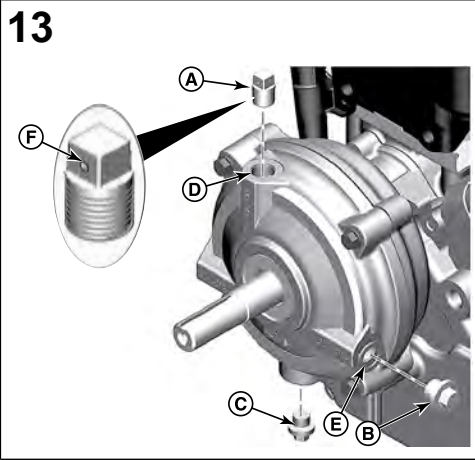
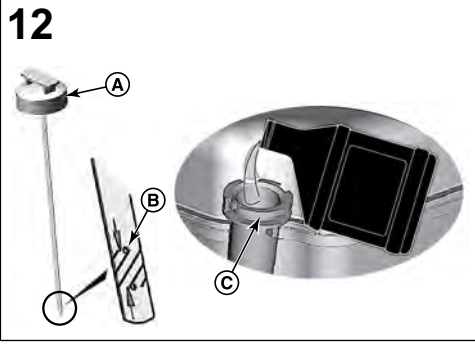
(pt) *Manual do Operador*

(sv) *Instruktionsbok*

Models: 120000  
150000  
200000  
210000









This manual contains safety information to make you aware of the hazards and risks associated with engines and how to avoid them. It also contains instructions for the proper use and care of the engine. Because Briggs & Stratton Corporation does not necessarily know what equipment this engine will power, it is important that you read and understand these instructions and the instructions for the equipment. **Save these original instructions for future reference.**

*Note:* The figures and illustrations in this manual are provided for reference only and may differ from your specific model. Contact your dealer if you have questions.

For replacement parts or technical assistance, record below the engine model, type, and code numbers along with the date of purchase. These numbers are located on your engine (see the **Features and Controls** section).

Date of Purchase	
Engine Model - Type - Trim	
Engine Serial Number	

Look for the 2D barcode located on some engines. When viewed with a 2D-capable device, the code will bring up our website where you can access support information for this product. Data rates apply. Some countries may not have online support information available.



## Operator Safety

### Safety Alert Symbol and Signal Words

The safety alert symbol is used to identify safety information about hazards that can result in personal injury. A signal word (DANGER, WARNING, or CAUTION) is used with the alert symbol to indicate the likelihood and the potential severity of injury. In addition, a hazard symbol may be used to represent the type of hazard.

**DANGER** indicates a hazard which, if not avoided, **will result in death or serious injury.**

**WARNING** indicates a hazard which, if not avoided, **could result in death or serious injury.**

**CAUTION** indicates a hazard which, if not avoided, **could result in minor or moderate injury.**

**NOTICE** indicates an situation that **could result in damage to the product.**

### Hazard Symbols and Meanings

Symbol	Meaning	Symbol	Meaning
	Safety information about hazards that can result in personal injury.		Read and understand the Operator's Manual before operating or servicing the unit.
	Fire hazard		Explosion hazard
	Shock hazard		Toxic fume hazard
	Hot surface hazard		Noise hazard - Ear protection recommended for extended use.

Symbol	Meaning	Symbol	Meaning
	Thrown object hazard - Wear eye protection.		Explosion hazard
	Frostbite hazard		Kickback hazard
	Amputation hazard - moving parts		Chemical Hazard
	Thermal heat hazard		Corrosive

### Safety Messages



#### WARNING

Certain components in this product and its related accessories contain chemicals known to the State of California to cause cancer, birth defects, or other reproductive harm. Wash hands after handling.



#### WARNING

The engine exhaust from this product contains chemicals known to the State of California to cause cancer, birth defects, or other reproductive harm.



#### WARNING

Briggs & Stratton Engines are not designed for and are not to be used to power: fun-karts; go-karts; children's, recreational, or sport all-terrain vehicles (ATVs); motorbikes; hovercraft; aircraft products; or vehicles used in competitive events not sanctioned by Briggs & Stratton. For information about competitive racing products, see [www.briggsracing.com](http://www.briggsracing.com). For use with utility and side-by-side ATVs, please contact Briggs & Stratton Engine Application Center, 1-866-927-3349. Improper engine application may result in serious injury or death.



#### WARNING



**Fuel and its vapors are extremely flammable and explosive.**

**Fire or explosion can cause severe burns or death.**

#### When Adding Fuel

- Turn engine off and let engine cool at least 2 minutes before removing the fuel cap.
- Fill fuel tank outdoors or in well-ventilated area.
- Do not overfill fuel tank. To allow for expansion of the fuel, do not fill above the bottom of the fuel tank neck.
- Keep fuel away from sparks, open flames, pilot lights, heat, and other ignition sources.
- Check fuel lines, tank, cap, and fittings frequently for cracks or leaks. Replace if necessary.
- If fuel spills, wait until it evaporates before starting engine.

#### When Starting Engine

- Ensure that spark plug, muffler, fuel cap and air cleaner (if equipped) are in place and secured.
- Do not crank engine with spark plug removed.
- If engine floods, set choke (if equipped) to OPEN / RUN position, move throttle (if equipped) to FAST position and crank until engine starts.

#### When Operating Equipment

- Do not tip engine or equipment at angle which causes fuel to spill.

- Do not choke the carburetor to stop engine.
- Never start or run the engine with the air cleaner assembly (if equipped) or the air filter (if equipped) removed.

#### When Changing Oil

- If you drain the oil from the top oil fill tube, the fuel tank must be empty or fuel can leak out and result in a fire or explosion.

#### When Tipping Unit for Maintenance

- When performing maintenance that requires the unit to be tipped, the fuel tank, if mounted on the engine, must be empty or fuel can leak out and result in a fire or explosion.

#### When Transporting Equipment

- Transport with fuel tank EMPTY or with fuel shut-off valve in the CLOSED position.

#### When Storing Fuel Or Equipment With Fuel In Tank

- Store away from furnaces, stoves, water heaters or other appliances that have pilot lights or other ignition sources because they can ignite fuel vapors.



Starting engine creates sparking.

Sparking can ignite nearby flammable gases.

Explosion and fire could result.

- If there is natural or LP gas leakage in area, do not start engine.
- Do not use pressurized starting fluids because vapors are flammable.



**POISONOUS GAS HAZARD.** Engine exhaust contains carbon monoxide, a poisonous gas that could kill you in minutes. You CANNOT see it, smell it, or taste it. Even if you do not smell exhaust fumes, you could still be exposed to carbon monoxide gas. If you start to feel sick, dizzy, or weak while using this product, get to fresh air RIGHT AWAY. See a doctor. You may have carbon monoxide poisoning.

- Operate this product ONLY outside far away from windows, doors and vents to reduce the risk of carbon monoxide gas from accumulating and potentially being drawn towards occupied spaces.
- Install battery-operated carbon monoxide alarms or plug-in carbon monoxide alarms with battery back-up according to the manufacturer's instructions. Smoke alarms cannot detect carbon monoxide gas.
- DO NOT run this product inside homes, garages, basements, crawlspaces, sheds, or other partially-enclosed spaces even if using fans or opening doors and windows for ventilation. Carbon monoxide can quickly build up in these spaces and can linger for hours, even after this product has shut off.
- ALWAYS place this product downwind and point the engine exhaust away from occupied spaces.



Rapid retraction of starter cord (kickback) will pull hand and arm toward engine faster than you can let go.

Broken bones, fractures, bruises or sprains could result.

- When starting engine, pull the starter cord slowly until resistance is felt and then pull rapidly to avoid kickback.
- Remove all external equipment / engine loads before starting engine.
- Direct-coupled equipment components such as, but not limited to, blades, impellers, pulleys, sprockets, etc., must be securely attached.



Rotating parts can contact or entangle hands, feet, hair, clothing, or accessories.

Traumatic amputation or severe laceration can result.

- Operate equipment with guards in place.

- Keep hands and feet away from rotating parts.
- Tie up long hair and remove jewelry.
- Do not wear loose-fitting clothing, dangling drawstrings or items that could become caught.



Running engines produce heat. Engine parts, especially muffler, become extremely hot.

Severe thermal burns can occur on contact.

Combustible debris, such as leaves, grass, brush, etc. can catch fire.

- Allow muffler, engine cylinder and fins to cool before touching.
- Remove accumulated debris from muffler area and cylinder area.
- It is a violation of California Public Resource Code, Section 4442, to use or operate the engine on any forest-covered, brush-covered, or grass-covered land unless the exhaust system is equipped with a spark arrester, as defined in Section 4442, maintained in effective working order. Other states or federal jurisdictions may have similar laws. Contact the original equipment manufacturer, retailer, or dealer to obtain a spark arrester designed for the exhaust system installed on this engine.



Unintentional sparking can result in fire or electric shock.

Unintentional start-up can result in entanglement, traumatic amputation, or laceration.

Fire hazard

Before performing adjustments or repairs:

- Disconnect the spark plug wire and keep it away from the spark plug.
- Disconnect battery at negative terminal (only engines with electric start.)
- Use only correct tools.
- Do not tamper with governor spring, links or other parts to increase engine speed.
- Replacement parts must be of the same design and installed in the same position as the original parts. Other parts may not perform as well, may damage the unit, and may result in injury.
- Do not strike the flywheel with a hammer or hard object because the flywheel may later shatter during operation.

When testing for spark:

- Use approved spark plug tester.
- Do not check for spark with spark plug removed.

## Features and Controls

### Engine Controls

Compare the illustration (Figure: 1, 2, 3) with your engine to familiarize yourself with the location of various features and controls.

- Engine Identification Numbers **Model - Type - Code**
- Spark Plug
- Air Cleaner (flat or oval)
- Choke Control
- Fuel Shut-off (if equipped)
- Starter Cord Handle
- Air Intake Grille
- Throttle Control (if equipped)
- Stop Switch (if equipped)
- Fuel Tank and Cap
- Extended Dipstick (if equipped)
- Short Dipstick (if equipped)
- Oil Drain Plug
- Oil Fill
- Muffler, Muffler Guard (if equipped), Spark Arrester (if equipped)

- P. Safety Key (electric start models)
- Q. ON/OFF Switch (electric start models)
- R. Gear Reduction Unit (if equipped)
- S. Key Switch (electric start models)

<b>B</b>	<b>10W-30</b> - Above 80 °F (27 °C) the use of 10W-30 may cause increased oil consumption. Check oil level more frequently.
<b>C</b>	<b>5W-30</b>
<b>D</b>	<b>Synthetic 5W-30</b>
<b>E</b>	<b>Vanguard™ Synthetic 15W-50</b>

## Engine Control Symbols and Meanings

Symbol	Meaning	Symbol	Meaning
	Engine speed - FAST		Engine speed - SLOW
	Engine speed - STOP		ON - OFF
	Engine start - Choke CLOSED		Engine start - Choke OPEN
	Fuel Cap Fuel Shut-off - OPEN		Fuel Shut-off - CLOSED
	Fuel level - Maximum Do not overfill		

## Operation

### Oil Recommendations

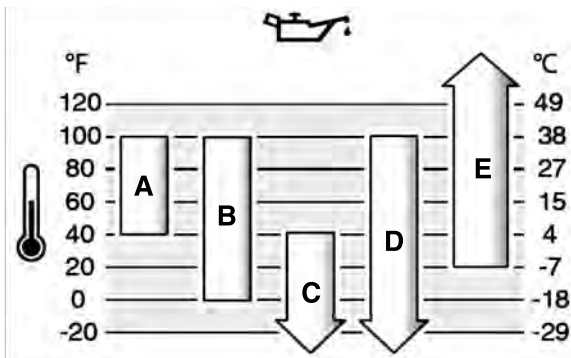
**Oil Capacity:** See the *Specifications* section.

#### NOTICE

This engine was shipped from Briggs & Stratton without oil. Equipment manufacturers or dealers may have added oil to the engine. Before you start the engine for the first time, make sure to check the oil level and add oil according to the instructions in this manual. If you start the engine without oil, it will be damaged beyond repair and will not be covered under warranty.

We recommend the use of Briggs & Stratton Warranty Certified oils for best performance. Other high-quality detergent oils are acceptable if classified for service SF, SG, SH, SJ or higher. Do not use special additives.

Outdoor temperatures determine the proper oil viscosity for the engine. Use the chart to select the best viscosity for the outdoor temperature range expected. Engines on most outdoor power equipment operate well with 5W-30 Synthetic oil. For equipment operated in hot temperatures, Vanguard™ 15W-50 Synthetic oil provides the best protection.



<b>A</b>	<b>SAE 30</b> - Below 40 °F (4 °C) the use of SAE 30 will result in hard starting.
----------	--

## Check Oil Level

See Figure: 4, 5

### Before adding or checking the oil

- Make sure the engine is level.
- Clean the oil fill area of any debris.

### Oil Fill Cap, if equipped

1. Remove the oil fill cap (A, Figure 4).
2. If oil level is low, slowly add oil into the engine oil fill (B, Figure 4). Fill to point of overflowing.
3. Reinstall and tighten the oil fill cap (A, Figure 4).

### Short Dipstick, if equipped

1. Remove the dipstick (C, Figure 4) and wipe with a clean cloth.
2. Install the dipstick (C, Figure 4). **Do not turn or tighten.**
3. Remove the dipstick and check the oil level. Correct oil level is at the top of the full indicator (D, Figure 4) on the dipstick.
4. If oil level is low, slowly add oil into the engine oil fill (B, Figure 4). Fill to point of overflowing.
5. Reinstall and tighten the dipstick (C, Figure 4).

### Extended Dipstick, if equipped

1. Remove the dipstick (A, Figure 5) and wipe with a clean cloth.
2. Install and tighten the dipstick (A, Figure 5).
3. Remove the dipstick and check the oil level. Correct oil level is at the top of the full indicator (B, Figure 5) on the dipstick.
4. If oil level is low, slowly add oil into the engine oil fill (C, Figure 5). **Do not overfill.** After adding oil, wait one minute and then recheck the oil level.
5. Reinstall and tighten the dipstick (A, Figure 5).

## Low Oil Protection System (if equipped)

Some engines are equipped with a low oil sensor. If the oil is low, the sensor will either activate a warning light or stop the engine. Stop the engine and follow these steps before restarting the engine.

- Make sure the engine is level.
- Check the oil level. See the *Check Oil Level* section.
- If the oil level is low, add the proper amount of oil. Start the engine and make sure the warning light (if equipped) is not activated.
- If the oil level is not low, do not start the engine. Contact a Briggs & Stratton Authorized Service Dealer to have the oil problem corrected.

## Fuel Recommendations

### Fuel must meet these requirements:

- Clean, fresh, unleaded gasoline.
- A minimum of 87 octane/87 AKI (91 RON). High altitude use, see below.
- Gasoline with up to 10% ethanol (gasohol) is acceptable.

**NOTICE** Do not use unapproved gasolines, such as E15 and E85. Do not mix oil in gasoline or modify the engine to run on alternate fuels. Use of unapproved fuels will damage the engine components, which will not be covered under warranty.

To protect the fuel system from gum formation, mix a fuel stabilizer into the fuel. See **Storage**. All fuel is not the same. If starting or performance problems occur, change fuel providers or change brands. This engine is certified to operate on gasoline. The emissions control system for this engine is EM (Engine Modifications).

## High Altitude

At altitudes over 5,000 feet (1524 meters), a minimum 85 octane/85 AKI (89 RON) gasoline is acceptable.

For carbureted engines, high altitude adjustment is required to maintain performance. Operation without this adjustment will cause decreased performance, increased fuel consumption, and increased emissions. Contact a Briggs & Stratton Authorized Service Dealer for high altitude adjustment information. Operation of the engine at altitudes below 2,500 feet (762 meters) with the high altitude adjustment is not recommended.

For Electronic Fuel Injection (EFI) engines, no high altitude adjustment is necessary.

## Add Fuel

See Figure: 6



**WARNING**

**Fuel and its vapors are extremely flammable and explosive.**

**Fire or explosion can cause severe burns or death.**

### When adding fuel

- Turn engine off and let engine cool at least 2 minutes before removing the fuel cap.
  - Fill fuel tank outdoors or in well-ventilated area.
  - Do not overfill fuel tank. To allow for expansion of the fuel, do not fill above the bottom of the fuel tank neck.
  - Keep fuel away from sparks, open flames, pilot lights, heat, and other ignition sources.
  - Check fuel lines, tank, cap, and fittings frequently for cracks or leaks. Replace if necessary.
  - If fuel spills, wait until it evaporates before starting engine.
1. Clean the fuel cap area of dirt and debris. Remove the fuel cap.
  2. Fill the fuel tank (A, Figure 6) with fuel. To allow for expansion of the fuel, do not fill above the bottom of the fuel tank neck (B).
  3. Reinstall the fuel cap.

## Start and Stop Engine

See Figure: 7, 8

### Start Engine



**WARNING**

**Rapid retraction of starter cord (kickback) will pull hand and arm toward engine faster than you can let go.**

**Broken bones, fractures, bruises or sprains could result.**

- When starting engine, pull the starter cord slowly until resistance is felt and then pull rapidly to avoid kickback.



**WARNING**

**Fuel and its vapors are extremely flammable and explosive.**

**Fire or explosion can cause severe burns or death.**

### When Starting Engine

- Ensure that spark plug, muffler, fuel cap and air cleaner (if equipped) are in place and secured.
- Do not crank engine with spark plug removed.
- If engine floods, set choke (if equipped) to OPEN / RUN position, move throttle (if equipped) to FAST position and crank until engine starts.



**WARNING**

**POISONOUS GAS HAZARD.** Engine exhaust contains carbon monoxide, a poisonous gas that could kill you in minutes. You CANNOT see it, smell it, or taste it. Even if you do not smell exhaust fumes, you could still be exposed to carbon monoxide gas. If you start to feel sick, dizzy, or weak while using this product, shut it off and get to fresh air RIGHT AWAY. See a doctor. You may have carbon monoxide poisoning.

- Operate this product ONLY outside far away from windows, doors and vents to reduce the risk of carbon monoxide gas from accumulating and potentially being drawn towards occupied spaces.
- Install battery-operated carbon monoxide alarms or plug-in carbon monoxide alarms with battery back-up according to the manufacturer's instructions. Smoke alarms cannot detect carbon monoxide gas.
- DO NOT run this product inside homes, garages, basements, crawlspaces, sheds, or other partially-enclosed spaces even if using fans or opening doors and windows for ventilation. Carbon monoxide can quickly build up in these spaces and can linger for hours, even after this product has shut off.
- ALWAYS place this product downwind and point the engine exhaust away from occupied spaces.

**NOTICE** This engine was shipped from Briggs & Stratton without oil. Before you start the engine, make sure you add oil according to the instructions in this manual. If you start the engine without oil, it will be damaged beyond repair and will not be covered under warranty.

**Note:** Equipment may have remote controls. See the equipment manual for location and operation of remote controls.

1. Check the engine oil. See the **Check Oil Level** section.
  2. Make sure equipment drive controls, if equipped, are disengaged.
  3. Move the fuel shut-off (A, Figure 7) to the open position.
  4. Move the throttle control (C, Figure 7), if equipped, to the fast position. Operate the engine in the fast position.
  5. Move the choke control (B, Figure 7), to the choke position.
- Note:** Choke is usually unnecessary when restarting a warm engine.
6. Move the stop switch (D, Figure 7), if equipped, to the on position.
  7. **Rewind Start, if equipped:** Firmly hold the starter cord handle (E, Figure 7). Pull the starter cord handle slowly until resistance is felt, then pull rapidly.



**WARNING**

Rapid retraction of the starter cord (kickback) will pull your hand and arm toward the engine faster than you can let go. Broken bones, fractures, bruises or sprains could result. When starting engine, pull the starter cord slowly until resistance is felt and then pull rapidly to avoid kickback.

8. **Electric Start, if equipped with Safety Key (F):** Push in the safety key (F, Figure 7). Momentarily push the start switch (G). When the engine starts, release the start switch.
  9. **Electric Start, if equipped with Automotive Key Switch (H):** Turn the key switch (H, Figure 8) to the start position. When the engine starts, release the key switch.
- NOTICE** To extend the life of the starter, use short starting cycles (five seconds maximum). Wait one minute between starting cycles.
10. As the engine warms up, move the choke control (B, Figure 7) to the run position.

**Note:** If the engine does not start after repeated attempts, go to **BRIGGSandSTRATTON.com** or contact your local dealer or call **1-800-233-3723** (in USA).

### Stop Engine



**WARNING**

**Fuel and its vapors are extremely flammable and explosive.**

**Fire or explosion can cause severe burns or death.**

- Do not choke the carburetor to stop the engine.
1. **Throttle Control, if equipped:** Move the throttle control lever (C, Figure 7) to the slow and then to the stop position.  
**Stop Switch, if equipped:** Move the stop switch (D, Figure 7) to the stop position.  
**Safety Key, if equipped:** Remove the safety key (F, Figure 7) and keep it in a safe place out of the reach of children.  
**Key Switch, if equipped:** Turn the key switch (H, Figure 8) to the off position. Remove the key and keep in a safe place out of the reach of children.
  2. After the engine stops, move the fuel shut-off (A, Figure 7) to the closed position.

# Maintenance

**NOTICE** If the engine is tipped during maintenance, the fuel tank, if mounted on engine, must be empty and the spark plug side must be up. If the fuel tank is not empty and if the engine is tipped in any other direction, it may be difficult to start due to oil or gasoline contaminating the air filter and/or the spark plug.



## WARNING

When performing maintenance that requires the unit to be tipped, the fuel tank, if mounted on the engine, must be empty or fuel can leak out and result in a fire or explosion.

We recommend that you see any Briggs & Stratton Authorized Service Dealer for all maintenance and service of the engine and engine parts.

**NOTICE** All the components used to build this engine must remain in place for proper operation.



## WARNING



**Unintentional sparking can result in fire or electric shock.**

**Unintentional start-up can result in entanglement, traumatic amputation, or laceration.**

## Fire hazard

### Before performing adjustments or repairs:

- Disconnect the spark plug wire and keep it away from the spark plug.
- Disconnect battery at negative terminal (only engines with electric start.)
- Use only correct tools.
- Do not tamper with governor spring, links or other parts to increase engine speed.
- Replacement parts must be of the same design and installed in the same position as the original parts. Other parts may not perform as well, may damage the unit, and may result in injury.
- Do not strike the flywheel with a hammer or hard object because the flywheel may later shatter during operation.

### When testing for spark:

- Use approved spark plug tester.
- Do not check for spark with spark plug removed.

## Emissions Control Service

Maintenance, replacement, or repair of the emissions control devices and systems may be performed by any off-road engine repair establishment or individual. However, to obtain "no charge" emissions control service, the work must be performed by a factory authorized dealer. See the Emissions Control Statements.

## Maintenance Schedule

<b>First 5 Hours</b>
<ul style="list-style-type: none"> <li>• Change oil</li> </ul>
<b>Every 8 Hours or Daily</b>
<ul style="list-style-type: none"> <li>• Check engine oil level</li> <li>• Clean area around muffler and controls</li> <li>• Clean air intake grille</li> </ul>
<b>Every 25 Hours or Annually</b>
<ul style="list-style-type: none"> <li>• Clean air filter <sup>1</sup></li> <li>• Clean pre-cleaner (if equipped) <sup>1</sup></li> </ul>
<b>Every 50 Hours or Annually</b>
<ul style="list-style-type: none"> <li>• Change engine oil</li> <li>• Service exhaust system</li> </ul>
<b>Every 100 Hours</b>
<ul style="list-style-type: none"> <li>• Change gear reduction oil (if equipped)</li> </ul>
<b>Annually</b>

- Replace spark plug
- Replace air filter
- Replace pre-cleaner (if equipped)
- Replace fuel filter (if equipped)
- Service fuel system
- Service cooling system <sup>1</sup>
- Check valve clearance <sup>2</sup>

<sup>1</sup> In dusty conditions or when airborne debris is present, clean more often.

<sup>2</sup> Not required unless engine performance problems are noted.

## Carburetor and Engine Speed

Never make adjustments to the carburetor or engine speed. The carburetor was set at the factory to operate efficiently under most conditions. Do not tamper with the governor spring, linkages, or other parts to change the engine speed. If any adjustments are required contact a Briggs & Stratton Authorized Service Dealer for service.

**NOTICE** The equipment manufacturer specifies the maximum speed for the engine as installed on the equipment. **Do not exceed** this speed. If you are unsure what the equipment maximum speed is, or what the engine speed is set to from the factory, contact a Briggs & Stratton Authorized Service Dealer for assistance. For safe and proper operation of the equipment, the engine speed should be adjusted only by a qualified service technician.

## Service Spark Plug

See Figure: 9

Check the gap (A, Figure 9) with a wire gauge (B). If necessary, reset the gap. Install and tighten the spark plug to the recommended torque. For gap setting or torque, see the **Specifications** section.

*Note:* In some areas, local law requires using a resistor spark plug to suppress ignition signals. If this engine was originally equipped with a resistor spark plug, use the same type for replacement.

## Service Exhaust System



## WARNING



**Running engines produce heat. Engine parts, especially muffler, become extremely hot.**

**Severe thermal burns can occur on contact.**

**Combustible debris, such as leaves, grass, brush, etc. can catch fire.**

- Allow muffler, engine cylinder and fins to cool before touching.
- Remove accumulated debris from muffler area and cylinder area.
- It is a violation of California Public Resource Code, Section 4442, to use or operate the engine on any forest-covered, brush-covered, or grass-covered land unless the exhaust system is equipped with a spark arrester, as defined in Section 4442, maintained in effective working order. Other states or federal jurisdictions may have similar laws. Contact the original equipment manufacturer, retailer, or dealer to obtain a spark arrester designed for the exhaust system installed on this engine.

Remove accumulated debris from muffler and cylinder area. Inspect the muffler for cracks, corrosion, or other damage. Remove the deflector or the spark arrester, if equipped, and inspect for damage or carbon blockage. If damage is found, install replacement parts before operating.



## WARNING

Replacement parts must be of the same design and installed in the same position as the original parts. Other parts may not perform as well, may damage the unit, and may result in injury.

## Change Engine Oil

See Figure: 10, 11, 12

Used oil is a hazardous waste product and must be disposed of properly. Do not discard with household waste. Check with your local authorities, service center, or dealer for safe disposal/recycling facilities.



## Remove Oil

1. With engine off but still warm, disconnect the spark plug wire (D, Figure 10) and keep it away from the spark plug (E).
2. Remove the oil drain plug (F, Figure 11). Drain the oil into an approved container.

*Note:* Any of the oil drain plugs (G, Figure 11) may be installed in the engine.

3. After the oil has drained, install and tighten the oil drain plug (F, Figure 11).

## Add Oil

- Make sure the engine is level.
- Clean the oil fill area of any debris.
- See the **Specifications** section for oil capacity.

## Oil Fill Cap, if equipped

1. Remove the oil fill cap (H, Figure 11).
2. Pour the oil slowly into the engine oil fill (C, Figure 11). Fill to point of overflowing.
3. Install and tighten the oil fill cap (H, Figure 11).
4. Connect the spark plug wire (D, Figure 10) to the spark plug (E).

## Short Dipstick, if equipped

1. Remove the dipstick (A, Figure 11) and wipe with a clean cloth.
2. Slowly pour oil into the engine oil fill (C, Figure 11). Fill to point of overflowing.
3. Install the dipstick (A, Figure 11). **Do not turn or tighten.** Remove and check the oil level. Correct oil level is at the top of the full indicator (B) on the dipstick.
4. Reinstall and tighten the dipstick (A, Figure 11).
5. Connect the spark plug wire (D, Figure 10) to the spark plug (E).

## Extended Dipstick, if equipped

1. Remove the dipstick (A, Figure 12) and wipe with a clean cloth.
2. Slowly pour oil into the engine oil fill (C, Figure 12). **Do not overfill.** After adding oil, wait one (1) minute and then recheck the oil level.
3. Install and tighten the dipstick (A, Figure 12).
4. Remove and check the oil level. Correct oil level is at the top of the full indicator (B, Figure 12) on the dipstick.
5. Reinstall and tighten the dipstick (A, Figure 12).
6. Connect the spark plug wire (D, Figure 10) to the spark plug (E).

## Change Gear Reduction Oil

See Figure: 13, 14

### 6:1 Gear Reduction (Figure 13)

If your engine is equipped with a 6:1 gear reduction unit, service as follows:

1. Remove the oil fill plug (A, Figure 13) and the oil level plug (B).
2. Remove the oil drain plug (C, Figure 13) and drain the oil into an appropriate receptacle.
3. Reinstall and tighten the oil drain plug (C, Figure 13).
4. To refill, slowly pour gear lube (see **Specifications** section) into the oil fill hole (D, Figure 13). Continue to pour until the oil runs out of the oil level hole (E).
5. Reinstall and tighten the oil level plug (B, Figure 13).
6. Reinstall and tighten the oil fill plug (A, Figure 13).

*Note:* The oil fill plug (A, Figure 13) has a vent hole (F) and must be installed on the top of the gear case cover as shown.

### 2:1 Gear Reduction (Figure 14)

The 2:1 gear reduction unit (G, Figure 14) does not require an oil change.

## Service Air Filter

See Figure: 15, 16, 17



**Fuel and its vapors are extremely flammable and explosive.**

**Fire or explosion can cause severe burns or death.**

- Never start and run the engine with the air cleaner assembly (if equipped) or the air filter (if equipped) removed.

**NOTICE** Do not use pressurized air or solvents to clean the filter. Pressurized air can damage the filter and solvents will dissolve the filter.

See the **Maintenance Schedule** for service requirements.

Various models use either a foam or a paper filter. Some models may also have an optional pre-cleaner that can be washed and reused. Compare the illustrations in this manual with the type installed on your engine and service as follows.

### Paper Air Filter

1. Loosen the fastener(s) (A, Figure 15, 16).
2. Remove the cover (B, Figure 15, 16).
3. Remove the pre-cleaner (C, Figure 15, 16), if equipped, and the filter (D).
4. To loosen debris, gently tap the filter (D, Figure 15, 16) on a hard surface. If the filter is excessively dirty, replace with a new filter.
5. Wash the pre-cleaner (C, Figure 15, 16), if equipped, in liquid detergent and water. Allow the pre-cleaner to thoroughly air dry. **Do not** oil the pre-cleaner.
6. Assemble the dry pre-cleaner (C, Figure 15, 16), if equipped, to the filter (D) with the lip (G) of the pre-cleaner on the bottom of the filter pleats.
7. Install the filter (D, Figure 15, 16).
8. On models equipped with air filter shown in Figure 15, install the cover tabs (E) into the slots (F).
9. Install the cover (B, Figure 15, 16) and secure with the fastener(s) (A).

### Paper Air Filter

1. Loosen the fastener(s) (A, Figure 17).
2. Remove the cover (B, Figure 17).
3. Remove the pre-cleaner (C, Figure 17), if equipped, and the filter (D).
4. To loosen debris, gently tap the filter (D, Figure 17) on a hard surface. If the filter is excessively dirty, replace with a new filter.
5. Remove the pre-cleaner (C, Figure 17), if equipped, from the filter (D).
6. Wash the pre-cleaner (C, Figure 17), if equipped, in liquid detergent and water. Allow the pre-cleaner to thoroughly air dry. **Do not** oil the pre-cleaner.
7. Assemble the dry pre-cleaner (C, Figure 17), if equipped, to the filter (D).
8. Install the filter (D, Figure 17) and pre-cleaner (C), if equipped, into the base (E) and onto stud (F). Make sure the filter fits securely on base.
9. Install the air filter cover (B, Figure 17) and secure with the fastener(s) (A). Make sure the fastener(s) is tight.

## Service Fuel System

See Figure: 18, 19



**Fuel and its vapors are extremely flammable and explosive.**

**Fire or explosion can cause severe burns or death.**

- Keep fuel away from sparks, open flames, pilot lights, heat, and other ignition sources.
- Check fuel lines, tank, cap, and fittings frequently for cracks or leaks. Replace if necessary.
- Before cleaning or replacing the fuel filter, drain the fuel tank or close the fuel shut-off valve.
- If fuel spills, wait until it evaporates before starting engine.
- Replacement parts must be the same and installed in the same position as the original parts.

## Fuel Filter, if equipped

1. Before cleaning or replacing the fuel filter (A, Figure 18), drain the fuel tank or close the fuel shut-off valve. Otherwise, fuel can leak out and cause a fire or explosion.
2. Use pliers to squeeze tabs (B, Figure 18) on the clamps (C), then slide the clamps away from the fuel filter (A). Twist and pull the fuel lines (D) off of the fuel filter.
3. Check the fuel lines (D, Figure 18) for cracks or leaks. Replace if necessary.
4. Replace the fuel filter (A, Figure 18) with an original equipment replacement filter.
5. Secure the fuel lines (D, Figure 18) with clamps (C) as shown.

## Fuel Strainer, if equipped

1. Remove the fuel cap (A, Figure 19).
2. Remove the fuel strainer (B, Figure 19).
3. If the fuel strainer is dirty, clean or replace it. If you replace the fuel strainer, make sure to use an original equipment replacement fuel strainer.

## Service Cooling System



Running engines produce heat. Engine parts, especially muffler, become extremely hot.

Severe thermal burns can occur on contact.

Combustible debris, such as leaves, grass, brush, etc., can catch fire.

- Allow muffler, engine cylinder and fins to cool before touching.
- Remove accumulated debris from muffler area and cylinder area.

**NOTICE** Do not use water to clean the engine. Water could contaminate the fuel system. Use a brush or dry cloth to clean the engine.

This is an air cooled engine. Dirt or debris can restrict air flow and cause the engine to overheat, resulting in poor performance and reduced engine life.

1. Use a brush or dry cloth to remove debris from the air intake grille.
2. Keep linkage, springs and controls clean.
3. Keep the area around and behind the muffler, if equipped, free of any combustible debris.
4. Make sure the oil cooler fins, if equipped, are free of dirt and debris.

After a period of time, debris can accumulate in the cylinder cooling fins and cause the engine to overheat. This debris cannot be removed without partial disassembly of the engine. Have a Briggs & Stratton Authorized Service Dealer inspect and clean the air cooling system as recommended in the **Maintenance Schedule**.

## Storage



Fuel and its vapors are extremely flammable and explosive.

Fire or explosion can cause severe burns or death.

### When Storing Fuel Or Equipment With Fuel In Tank

- Store away from furnaces, stoves, water heaters or other appliances that have pilot lights or other ignition sources because they can ignite fuel vapors.

## Fuel System

See Figure: 20

Store the engine level (normal operating position). Fill fuel tank (A, Figure 20) with fuel. To allow for expansion of fuel, do not overfill above the fuel tank neck (B).

Fuel can become stale when stored over 30 days. Stale fuel causes acid and gum deposits to form in the fuel system or on essential carburetor parts. To keep fuel fresh, use **Briggs & Stratton Advanced Formula Fuel Treatment & Stabilizer**, available wherever Briggs & Stratton genuine service parts are sold.

There is no need to drain gasoline from the engine if a fuel stabilizer is added according to instructions. Run the engine for two (2) minutes to circulate the stabilizer throughout the fuel system before storage.

If gasoline in the engine has not been treated with a fuel stabilizer, it must be drained into an approved container. Run the engine until it stops from lack of fuel. The use of a fuel stabilizer in the storage container is recommended to maintain freshness.

## Engine Oil

While the engine is still warm, change the engine oil. See the **Change Engine Oil** section.

# Troubleshooting

For assistance, contact your local dealer or go to **BRIGGSandSTRATTON.com** or call **1-800-233-3723** (in USA).

# Specifications

Model: 120000	
Displacement	12.48 ci (205 cc)
Bore	2.688 in (65,28 mm)
Stroke	2.200 in (55,88 mm)
Oil Capacity	18 - 20 oz (.54 - .59 L)
Gear Reduction Oil Type	80W-90
Gear Reduction Oil Capacity	4 oz (0,12 L)
Spark Plug Gap	.030 in (.76 mm)
Spark Plug Torque	180 lb-in (20 Nm)
Armature Air Gap	.010 - .014 in (.25 - .36 mm)
Intake Valve Clearance	.004 - .006 in (.10 - .15 mm)
Exhaust Valve Clearance	.009 - .011 in (.23 - .28 mm)

Model: 150000	
Displacement	15.24 ci (250 cc)
Bore	2.970 in (75,44 mm)
Stroke	2.200 in (55,88 mm)
Oil Capacity	18 - 20 oz (.54 - .59 L)
Gear Reduction Oil Type	80W-90
Gear Reduction Oil Capacity	4 oz (0,12 L)
Spark Plug Gap	.030 in (.76 mm)
Spark Plug Torque	180 lb-in (20 Nm)
Armature Air Gap	.010 - .014 in (.25 - .36 mm)
Intake Valve Clearance	.004 - .006 in (.10 - .15 mm)
Exhaust Valve Clearance	.009 - .011 in (.23 - .28 mm)

Model: 200000	
Displacement	15.63 ci (305 cc)
Bore	3.120 in (79,24 mm)
Stroke	2.438 in (61,93 mm)
Oil Capacity	26 - 28 oz (.77 - .83 L)
Gear Reduction Oil Type	SAE 30
Gear Reduction Oil Capacity	12 oz (.35 L)
Spark Plug Gap	.030 in (.76 mm)
Spark Plug Torque	180 lb-in (20 Nm)
Armature Air Gap	.008 - .012 in (.20 - .30 mm)
Intake Valve Clearance	.004 - .006 in (.10 - .15 mm)
Exhaust Valve Clearance	.004 - .006 in (.10 - .15 mm)

Model: 210000	
Displacement	20.85 ci (342 cc)
Bore	3.300 in (83,81 mm)
Stroke	2.438 in (61,93 mm)
Oil Capacity	26 - 28 oz (.77 - .83 L)
Gear Reduction Oil Type	SAE 30
Gear Reduction Oil Capacity	12 oz (.35 L)
Spark Plug Gap	.030 in (.76 mm)

Model: 210000	
Spark Plug Torque	180 lb-in (20 Nm)
Armature Air Gap	.008 - .012 in (.20 - .30 mm)
Intake Valve Clearance	.004 - .006 in (.10 - .15 mm)
Exhaust Valve Clearance	.004 - .006 in (.10 - .15 mm)

Engine power will decrease 3.5% for each 1,000 feet (300 meters) above sea level and 1% for each 10° F (5.6° C) above 77° F (25° C). The engine will operate satisfactorily at an angle up to 15°. Refer to the equipment operator's manual for safe allowable operating limits on slopes.

Service Parts - Model: 120000, 150000, 200000, 210000	
Service Part	Part Number
Flat Air Filter	491588, 5043
Flat Air Filter Pre-cleaner	493537, 5064
Oval Air Filter (Models 120000, 150000)	697029, 5059
Oval Air Filter Pre-cleaner (Models 120000, 150000)	273356
Oval Air Filter (Models 200000, 210000)	695302
Oval Air Filter Pre-cleaner (Models 200000, 210000)	695303
Fuel Filter	694485
Advanced Formula Fuel Treatment & Stabilizer	100117, 100120
Resistor Spark Plug	491055
Long Life Platinum Spark Plug	5066
Spark Plug Wrench	89838, 5023
Spark Tester	19368

We recommend that you see any Briggs & Stratton Authorized Dealer for all maintenance and service of the engine and engine parts.

**Power Ratings:** The gross power rating for individual gasoline engine models is labeled in accordance with SAE (Society of Automotive Engineers) code J1940 Small Engine Power & Torque Rating Procedure, and is rated in accordance with SAE J1995. Torque values are derived at 2600 RPM for those engines with "rpm" called out on the label and 3060 RPM for all others; horsepower values are derived at 3600 RPM. The gross power curves can be viewed at [www.BRIGGSandSTRATTON.COM](http://www.BRIGGSandSTRATTON.COM). Net power values are taken with exhaust and air cleaner installed whereas gross power values are collected without these attachments. Actual gross engine power will be higher than net engine power and is affected by, among other things, ambient operating conditions and engine-to-engine variability. Given the wide array of products on which engines are placed, the gasoline engine may not develop the rated gross power when used in a given piece of power equipment. This difference is due to a variety of factors including, but not limited to, the variety of engine components (air cleaner, exhaust, charging, cooling, carburetor, fuel pump, etc.), application limitations, ambient operating conditions (temperature, humidity, altitude), and engine-to-engine variability. Due to manufacturing and capacity limitations, Briggs & Stratton may substitute an engine of higher rated power for this engine.

## Warranty

### Briggs & Stratton Engine Warranty

Effective January 2017

#### Limited Warranty

Briggs & Stratton warrants that, during the warranty period specified below, it will repair or replace, free of charge, any part that is defective in material or workmanship or both. Transportation charges on product submitted for repair or replacement under this warranty must be borne by purchaser. This warranty is effective for and is subject to the time periods and conditions stated below. For warranty service, find the nearest Authorized Service Dealer in our dealer locator map at [BRIGGSandSTRATTON.COM](http://BRIGGSandSTRATTON.COM). The purchaser must contact the Authorized Service Dealer, and then make the product available to the Authorized Service Dealer for inspection and testing.

**There is no other express warranty. Implied warranties, including those of merchantability and fitness for a particular purpose, are limited to the warranty period listed below, or to the extent permitted by law.** Liability for incidental or consequential damages are excluded to the extent exclusion is permitted by law. Some states or countries do not allow limitations on how long an implied warranty lasts, and some states or countries do not allow the exclusion or limitation of incidental or consequential damages, so the above limitation and exclusion may not apply to you. This warranty gives you specific legal rights and you may also have other rights which vary from state to state and country to country <sup>4</sup>.

### Standard Warranty Terms 1, 2, 3

Brand / Product Name	Consumer Use	Commercial Use
Vanguard™; Commercial Series	36 months	36 months
Engines Featuring Dura-Bore™ Cast Iron Sleeve	24 months	12 months
All Other Engines	24 months	3 months

<sup>1</sup>These are our standard warranty terms, but occasionally there may be additional warranty coverage that was not determined at time of publication. For a listing of current warranty terms for your engine, go to [BRIGGSandSTRATTON.com](http://BRIGGSandSTRATTON.com) or contact your Briggs & Stratton Authorized Service Dealer.

<sup>2</sup>There is no warranty for engines on equipment used for prime power in place of a utility or for standby generators used for commercial purposes. Engines used in competitive racing or on commercial or rental tracks are not warranted.

<sup>3</sup>Vanguard installed on standby generators: 24 months consumer use, no warranty commercial use. Vanguard installed on utility vehicles: 24 months consumer use, 24 months commercial use. Commercial Series with manufacturing date before July 2017, 24 months consumer use, 24 months commercial use.

<sup>4</sup>In Australia - Our goods come with guarantees that cannot be excluded under the Australian Consumer Law. You are entitled to a replacement or refund for a major failure and for compensation for any other reasonably foreseeable loss or damage. You are also entitled to have the goods repaired or replaced if the goods fail to be of acceptable quality and the failure does not amount to a major failure. For warranty service, find the nearest Authorized Service Dealer in our dealer locator map at [BRIGGSandSTRATTON.COM](http://BRIGGSandSTRATTON.COM), or by calling 1300 274 447, or by emailing or writing to [salesenquiries@briggsandstratton.com.au](mailto:salesenquiries@briggsandstratton.com.au), Briggs & Stratton Australia Pty Ltd, 1 Moorebank Avenue, Moorebank, NSW, Australia, 2170.

The warranty period begins on the original date of purchase by the first retail or commercial consumer. "Consumer use" means personal residential household use by a retail consumer. "Commercial use" means all other uses, including use for commercial, income producing or rental purposes. Once an engine has experienced commercial use, it shall thereafter be considered as a commercial use engine for purposes of this warranty.

**Save your proof of purchase receipt. If you do not provide proof of the initial purchase date at the time warranty service is requested, the manufacturing date of the product will be used to determine the warranty period. Product registration is not required to obtain warranty service on Briggs & Stratton products.**

#### About Your Warranty

This limited warranty covers engine-related material and/or workmanship issues only, and not replacement or refund of the equipment to which the engine may be mounted. Routine maintenance, tune-ups, adjustments, or normal wear and tear are not covered under this warranty. Similarly, warranty is not applicable if the engine has been altered or modified or if the engine serial number has been defaced or removed. This warranty does not cover engine damage or performance problems caused by:

1. The use of parts that are not original Briggs & Stratton parts;
2. Operating the engine with insufficient, contaminated, or an incorrect grade of lubricating oil;
3. The use of contaminated or stale fuel, gasoline formulated with ethanol greater than 10%, or the use of alternative fuels such as liquefied petroleum or natural gas on engines not originally designed/manufactured by Briggs & Stratton to operate on such fuels;
4. Dirt which entered the engine because of improper air cleaner maintenance or re-assembly;
5. Striking an object with the cutter blade of a rotary lawn mower, loose or improperly installed blade adapters, impellers, or other crankshaft coupled devices, or excessive v-belt tightness;
6. Associated parts or assemblies such as clutches, transmissions, equipment controls, etc., which are not supplied by Briggs & Stratton;
7. Overheating due to grass clippings, dirt and debris, or rodent nests which plug or clog the cooling fins or flywheel area, or by operating the engine without sufficient ventilation;
8. Excessive vibration due to over-speeding, loose engine mounting, loose or unbalanced cutter blades or impellers, or improper coupling of equipment components to the crankshaft;
9. Misuse, lack of routine maintenance, shipping, handling, or warehousing of equipment, or improper engine installation.

**Warranty service is available only through Briggs & Stratton Authorized Service Dealers. Locate your nearest Authorized Service Dealer in our dealer locator map at [BRIGGSandSTRATTON.COM](http://BRIGGSandSTRATTON.COM) or by calling 1-800-233-3723 (in USA).**

80004537 (Rev. C)

# Briggs & Stratton Emissions Warranty

## California, U.S. EPA, and Briggs & Stratton Corporation Emissions Control Warranty Statement - Your Warranty Rights and Obligations

### For Briggs & Stratton Engine Models with "F" Trim Designation (Model-Type-Trim Representation xxxxxx xxxx Fx)

The California Air Resources Board, U.S. EPA, and Briggs & Stratton (B&S) are pleased to explain the emissions control system warranty on your Model Year 2017-2019 engine/equipment. In California, new small off-road engines and large spark ignited engines less than or equal to 1.0 liter must be designed, built, and equipped to meet the State's stringent anti-smog standards. B&S must warrant the emissions control system on your engine/equipment for the periods of time listed below provided there has been no abuse, neglect, or improper maintenance of your engine/equipment.

Your exhaust emissions control system may include parts such as the carburetor or fuel injection system, ignition system, and catalytic converter. Also included may be hoses, belts, connectors, sensors, and other emissions-related assemblies. Your evaporative emission control system may include parts such as: carburetors, fuel tanks, fuel lines, fuel caps, valves, canisters, filters, vapor hoses, clamps, connectors, and other associated components.

Where a warrantable condition exists, B&S will repair your engine/equipment at no cost to you including diagnosis, parts, and labor.

#### Manufacturer's Warranty Coverage:

Small off-road engines and large spark ignited engines less than or equal to 1.0 liter, and any related emissions components of the equipment, are warranted for two years, or for the time period listed in the respective engine or product warranty statement, whichever is greater. If any emissions-related part on your B&S engine/equipment is defective, the part will be repaired or replaced by B&S.

#### Owner's Warranty Responsibilities:

- As the engine/equipment owner, you are responsible for the performance of the required maintenance listed in your Operator's Manual. B&S recommends that you retain all receipts covering maintenance on your engine/equipment, but B&S cannot deny warranty solely for the lack of receipts or your failure to ensure the performance of all scheduled maintenance.
- As the engine/equipment owner, you should however be aware that B&S may deny you warranty coverage if your engine/equipment or a part has failed due to abuse, neglect, improper maintenance, or unapproved modifications.
- You are responsible for presenting your engine/equipment to a B&S distribution center, servicing dealer, or other equivalent entity, as applicable, as soon as a problem exists. The warranty repairs should be completed in a reasonable amount of time, not to exceed 30 days. If you have any questions regarding your warranty rights and responsibilities, you should contact B&S at 1-800-444-7774 (in USA) or BRIGGSandSTRATTON.COM.

## Briggs & Stratton Emissions Control Warranty Provisions

The following are specific provisions relative to your Emissions Control Warranty Coverage. It is in addition to the B&S engine warranty for non-regulated engines found in the Operator's Manual.

1. **Warranted Emissions Parts**  
Coverage under this warranty extends only to the parts listed below (the emissions control systems parts) to the extent these parts were present on the B&S engine and/or B&S supplied fuel system.
  - a. **Fuel Metering System**
    - Cold start enrichment system (soft choke)
    - Carburetor or fuel injection system
    - Oxygen sensor
    - Electronic control unit
    - Fuel pump module
    - Fuel line, fuel line fittings, clamps
    - Fuel tank, cap and tether
    - Carbon canister
  - b. **Air Induction System**
    - Air cleaner
    - Intake manifold
    - Purge and vent line
  - c. **Ignition System**
    - Spark plug(s)
    - Magneto ignition system

- d. **Catalyst System**
  - Catalytic converter
  - Exhaust manifold
  - Air injection system or pulse valve
- e. **Miscellaneous Items Used in Above Systems**
  - Vacuum, temperature, position, time sensitive valves and switches
  - Connectors and assemblies

#### 2. Length of Coverage

Coverage is for a period of two years from date of original purchase, or for the time period listed in the respective engine or product warranty statement, whichever is greater. B&S warrants to the original purchaser and each subsequent purchaser that the engine is designed, built, and equipped so as to conform with all applicable regulations adopted by the Air Resources Board; that it is free from defects in material and workmanship that could cause the failure of a warranted part; and that it is identical in all material respects to the engine described in the manufacturer's application for certification. The warranty period begins on the date the engine is originally purchased.

The warranty on emissions-related parts is as follows:

- Any warranted part that is not scheduled for replacement as required maintenance in the Operator's Manual supplied, is warranted for the warranty period stated above. If any such part fails during the period of warranty coverage, the part will be repaired or replaced by B&S at no charge to the owner. Any such part repaired or replaced under the warranty will be warranted for the remaining warranty period.
- Any warranted part that is scheduled only for regular inspection in the Operator's Manual supplied, is warranted for the warranty period stated above. Any such part repaired or replaced under warranty will be warranted for the remaining warranty period.
- Any warranted part that is scheduled for replacement as required maintenance in the Operator's Manual supplied, is warranted for the period of time prior to the first scheduled replacement point for that part. If the part fails prior to the first scheduled replacement, the part will be repaired or replaced by B&S at no charge to the owner. Any such part repaired or replaced under warranty will be warranted for the remainder of the period prior to the first scheduled replacement point for the part.
- Add-on or modified parts that are not exempted by the Air Resources Board may not be used. The use of any non-exempted add-on or modified parts by the owner will be grounds for disallowing a warranty claim. The manufacturer will not be liable to warrant failures of warranted parts caused by the use of a non-exempted add-on or modified part.

#### 3. Consequential Coverage

Coverage shall extend to the failure of any engine components caused by the failure of any warranted emissions parts.

#### 4. Claims and Coverage Exclusions

Warranty claims shall be filed according to the provisions of the B&S engine warranty policy. Warranty coverage does not apply to failures of emissions parts that are not original equipment B&S parts or to parts that fail due to abuse, neglect, or improper maintenance as set forth in the B&S engine warranty policy. B&S is not liable for warranty coverage of failures of emissions parts caused by the use of add-on or modified parts.

## Look For Relevant Emissions Durability Period and Air Index Information On Your Small Off-Road Engine Emissions Label

Engines that are certified to meet the California Air Resources Board (CARB) small off-road Emissions Standard must display information regarding the Emissions Durability Period and the Air Index. Briggs & Stratton makes this information available to the consumer on our emissions labels. The engine emissions label will indicate certification information.

The **Emissions Durability Period** describes the number of hours of actual running time for which the engine is certified to be emissions compliant, assuming proper maintenance in accordance with the Operator's Manual. The following categories are used:

#### Moderate:

Engines at or less than 80 cc displacement are certified to be emissions compliant for 50 hours of actual engine running time. Engines greater than 80 cc displacement are certified to be emissions compliant for 125 hours of actual engine running time.

#### Intermediate:

Engines at or less than 80 cc displacement are certified to be emissions compliant for 125 hours of actual engine running time. Engines greater than 80 cc displacement are certified to be emissions compliant for 250 hours of actual engine running time.

#### Extended:

Engines at or less than 80 cc displacement are certified to be emissions compliant for 300 hours of actual engine running time. Engines greater than 80 cc displacement are certified to be emissions compliant for 500 hours of actual engine running time.



For example, a typical walk-behind lawn mower is used 20 to 25 hours per year. Therefore, the **Emissions Durability Period** of an engine with an **intermediate** rating would equate to 10 to 12 years.

Briggs & Stratton engines are certified to meet the United States Environmental Protection Agency (USEPA) Phase 2 or Phase 3 emissions standards. The Emissions Compliance Period referred to on the Emissions Compliance label indicates the number of operating hours for which the engine has been shown to meet Federal emissions requirements.

**For engines at or less than 80 cc displacement:**

Category C = 50 hours, Category B = 125 hours, Category A = 300 hours

**For engines greater than 80 cc displacement and less than 225 cc displacement:**

Category C = 125 hours, Category B = 250 hours, Category A = 500 hours

**For engines of 225 cc or more displacement:**

Category C = 250 hours, Category B = 500 hours, Category A = 1000 hours

80008256 (Rev F)

## California, U.S. EPA, and Briggs & Stratton Corporation Emissions Control Warranty Statement - Your Warranty Rights and Obligations

### For Briggs & Stratton Engine Models with "B" or "G" Trim Designation (Model-Type-Trim Representation xxxxxx xxxx Bx or xxxxxx xxxx Gx)

The California Air Resources Board, U.S. EPA, and Briggs & Stratton (B&S) are pleased to explain the emissions control system warranty on your Model Year 2017-2019 engine. In California, new small off-road engines and large spark ignited engines less than or equal to 1.0 liter must be designed, built, and equipped to meet the State's stringent anti-smog standards. B&S must warrant the emissions control system on your engine for the periods of time listed below provided there has been no abuse, neglect, or improper maintenance of your engine.

Your exhaust emissions control system may include parts such as the carburetor or fuel injection system, ignition system, and catalytic converter. Also included may be hoses, belts, connectors, sensors, and other emissions-related assemblies.

Where a warrantable condition exists, B&S will repair your engine at no cost to you including diagnosis, parts, and labor.

#### Manufacturer's Warranty Coverage:

Small off-road engines and large spark ignited engines less than or equal to 1.0 liter, and any related emissions components of the equipment, are warranted for two years, or for the time period listed in the respective engine or product warranty statement, whichever is greater. If any emissions-related part on your B&S engine is defective, the part will be repaired or replaced by B&S.

#### Owner's Warranty Responsibilities:

- As the engine owner, you are responsible for the performance of the required maintenance listed in your Operator's Manual. B&S recommends that you retain all receipts covering maintenance on your engine, but B&S cannot deny warranty solely for the lack of receipts or your failure to ensure the performance of all scheduled maintenance.
- As the engine owner, you should however be aware that B&S may deny you warranty coverage if your engine or a part has failed due to abuse, neglect, improper maintenance, or unapproved modifications.
- You are responsible for presenting your engine to a B&S distribution center, servicing dealer, or other equivalent entity, as applicable, as soon as a problem exists. The warranty repairs should be completed in a reasonable amount of time, not to exceed 30 days. If you have any questions regarding your warranty rights and responsibilities, you should contact B&S at 1-800-444-7774 (in USA) or BRIGGSandSTRATTON.COM.

## Briggs & Stratton Emissions Control Warranty Provisions

The following are specific provisions relative to your Emissions Control Warranty Coverage. It is in addition to the B&S engine warranty for non-regulated engines found in the Operator's Manual.

### 1. Warranted Emissions Parts

Coverage under this warranty extends only to the parts listed below (the emissions control systems parts) to the extent these parts were present on the B&S engine.

#### a. Fuel Metering System

- Cold start enrichment system (soft choke)
- Carburetor or fuel injection system
- Oxygen sensor
- Electronic control unit
- Fuel pump module

#### b. Air Induction System

- Air cleaner
- Intake manifold

#### c. Ignition System

- Spark plug(s)
- Magneto ignition system

#### d. Catalyst System

- Catalytic converter
- Exhaust manifold
- Air injection system or pulse valve

#### e. Miscellaneous Items Used in Above Systems

- Vacuum, temperature, position, time sensitive valves and switches
- Connectors and assemblies

### 2. Length of Coverage

Coverage is for a period of two years from date of original purchase, or for the time period listed in the respective engine or product warranty statement, whichever is greater. B&S warrants to the original purchaser and each subsequent purchaser that the engine is designed, built, and equipped so as to conform with all applicable regulations adopted by the Air Resources Board; that it is free from defects in material and workmanship that could cause the failure of a warranted part; and that it is identical in all material respects to the engine described in the manufacturer's application for certification. The warranty period begins on the date the engine is originally purchased.

The warranty on emissions-related parts is as follows:

- Any warranted part that is not scheduled for replacement as required maintenance in the Operator's Manual supplied, is warranted for the warranty period stated above. If any such part fails during the period of warranty coverage, the part will be repaired or replaced by B&S at no charge to the owner. Any such part repaired or replaced under the warranty will be warranted for the remaining warranty period.
  - Any warranted part that is scheduled only for regular inspection in the Operator's Manual supplied, is warranted for the warranty period stated above. Any such part repaired or replaced under warranty will be warranted for the remaining warranty period.
  - Any warranted part that is scheduled for replacement as required maintenance in the Operator's Manual supplied, is warranted for the period of time prior to the first scheduled replacement point for that part. If the part fails prior to the first scheduled replacement, the part will be repaired or replaced by B&S at no charge to the owner. Any such part repaired or replaced under warranty will be warranted for the remainder of the period prior to the first scheduled replacement point for the part.
  - Add-on or modified parts that are not exempted by the Air Resources Board may not be used. The use of any non-exempted add-on or modified parts by the owner will be grounds for disallowing a warranty claim. The manufacturer will not be liable to warrant failures of warranted parts caused by the use of a non-exempted add-on or modified part.
- ### 3. Consequential Coverage
- Coverage shall extend to the failure of any engine components caused by the failure of any warranted emissions parts.
- ### 4. Claims and Coverage Exclusions
- Warranty claims shall be filed according to the provisions of the B&S engine warranty policy. Warranty coverage does not apply to failures of emissions parts that are not original equipment B&S parts or to parts that fail due to abuse, neglect, or improper maintenance as set forth in the B&S engine warranty policy. B&S is not liable for warranty coverage of failures of emissions parts caused by the use of add-on or modified parts.

## Look For Relevant Emissions Durability Period and Air Index Information On Your Small Off-Road Engine Emissions Label

Engines that are certified to meet the California Air Resources Board (CARB) small off-road Emissions Standard must display information regarding the Emissions Durability Period and the Air Index. Briggs & Stratton makes this information available to the consumer on our emissions labels. The engine emissions label will indicate certification information.

The **Emissions Durability Period** describes the number of hours of actual running time for which the engine is certified to be emissions compliant, assuming proper maintenance in accordance with the Operator's Manual. The following categories are used:

#### Moderate:

Engines at or less than 80 cc displacement are certified to be emissions compliant for 50 hours of actual engine running time. Engines greater than 80 cc displacement are certified to be emissions compliant for 125 hours of actual engine running time.

#### Intermediate:

Engines at or less than 80 cc displacement are certified to be emissions compliant for 125 hours of actual engine running time. Engines greater than 80 cc displacement are certified to be emissions compliant for 250 hours of actual engine running time.

**Extended:**

Engines at or less than 80 cc displacement are certified to be emissions compliant for 300 hours of actual engine running time. Engines greater than 80 cc displacement are certified to be emissions compliant for 500 hours of actual engine running time.

For example, a typical walk-behind lawn mower is used 20 to 25 hours per year. Therefore, the **Emissions Durability Period** of an engine with an **intermediate** rating would equate to 10 to 12 years.

Briggs & Stratton engines are certified to meet the United States Environmental Protection Agency (USEPA) Phase 2 or Phase 3 emissions standards. The Emissions Compliance Period referred to on the Emissions Compliance label indicates the number of operating hours for which the engine has been shown to meet Federal emissions requirements.

**For engines at or less than 80 cc displacement:**

Category C = 50 hours, Category B = 125 hours, Category A = 300 hours

**For engines greater than 80 cc displacement and less than 225 cc displacement:**

Category C = 125 hours, Category B = 250 hours, Category A = 500 hours

**For engines of 225 cc or more displacement:**

Category C = 250 hours, Category B = 500 hours, Category A = 1000 hours

80008114 (Rev F)

Not for  
Reproduction

Denne vejledning indeholder sikkerhedsoplysninger, der skal gøre dig opmærksom på de farer og risici, der er forbundet med motorer, samt hvordan de kan undgås. Den indeholder også instrukser om korrekt brug og pleje af motoren. Eftersom Briggs & Stratton ikke nødvendigvis ved, hvilket udstyr denne motor skal drive, er det vigtigt, at du læser og forstår denne vejledning og vejledningen til det udstyr, som motoren driver. **Gem de originale anvisninger til fremtidig brug.**

**Bemærk:** Figurerne og illustrationerne i denne vejledning er udelukkende til referencebrug og kan være anderledes end din model. Henvend dig hos din forhandler hvis du har nogen spørgsmål.

For at kunne få reservedele eller teknisk assistance fremover skal du her anføre motorens model-, type- og kodenummer sammen med købsdatoen. Disse tal er placeret på motoren (se afsnittet **Udstyr og betjeningslementer**).


<b>Købsdato</b>	
<b>Motormodel - Type - Trim</b>	
<b>Motorserienummer</b>	

Kig efter 2D-stregkoden, der er placeret på visse maskiner. Når den ses på en enhed med 2D viser koden vores websted, hvor du kan få adgang til supportoplysninger for dette produkt. Omkostninger til datatrafik kan forekomme. Nogle lande har ikke adgang til online supportoplysninger.





## Førersikkerhed

### Sikkerhedssymboler og signalord

Sikkerhedssymbolet  anvendes til at identificere sikkerhedsoplysninger om farer, der kan medføre personskade. Et signalord (FARE, ADVARSEL eller FORSIGTIG) bruges sammen med advarselssymbolet til at identificere sandsynligheden og den mulige sværhedsgrad af personskaden. Desuden kan et faresymbol bruges til at repræsentere typen af fare.









 **FARE** angiver en farlig situation, som vil medføre død eller alvorlig personskade, hvis den ikke undgås.









 **ADVARSEL** angiver en farlig situation, som kan medføre død eller alvorlig personskade, hvis den ikke undgås.

 **FORSIGTIG** angiver en farlig situation, som kan medføre alvorlig eller moderat personskade, hvis den ikke undgås.

**BEMÆRK** angiver en situation, som kan medføre beskadigelse af produktet.

### Faresymboler og deres betydninger

Symbol	Betydning	Symbol	Betydning
	Sikkerhedsoplysninger om farer, der kan medføre personskade.		Læs og forstå brugervejledningen, før brug af eller servicering af enheden.
	Brandfare		Risiko for eksplosion.
	Fare for stød		Fare for giftig røg
	Fare ved varm overflade		Støjfare – Høreværn anbefales ved længere brug.

Symbol	Betydning	Symbol	Betydning
	Fare for flyvende genstande – Bær beskyttelsesbriller.		Risiko for eksplosion.
	Fare for forfrysning		Fare for tilbageslag
	Fare for amputation – Bevægelige dele		Kemikaliefare
	Fare for varme		Korroderende

## Sikkerhedsmeddelelser

 **ADVARSEL**

Visse dele på dette produkt og dets tilbehør indeholder kemikalier, som ifølge staten Californien kan forårsage kræft, fosterskader eller forplantningsskader. Vask hænder efter håndtering.

 **ADVARSEL**

Udstødningen fra motoren på dette produkt indeholder kemikalier, som ifølge staten Californien kan forårsage kræft, fosterskader eller forplantningsskader.

 **ADVARSEL**

Briggs & Stratton-motorer er ikke designet til og må ikke bruges til at drive: fun-karts; go-karts; terrængående børne-, fritids- eller sportskøretøjer (ATV'er); motorcykler, luftpudefartøjer; luftfartsprodukter eller køretøjer, der anvendes til konkurrenceformål, som ikke er sanktioneret af Briggs & Stratton. Se [www.briggsracing.com](http://www.briggsracing.com) for yderligere oplysninger om motorsportsprodukter. For brug med terrængående og side-by-side ATV'er kontakt Briggs & Stratton Engine Application Center, 1-866-927-3349. Ukorrekt motorbrug kan resultere i alvorlig personskade eller død.

 **ADVARSEL**  

**Benzin og benzindampe er yderst brandfarlige og eksplosive.**

**Brand eller eksplosion kan medføre alvorlige forbrændinger eller død.**

### Under påfyldning af brændstof

- Sluk motoren, og lad den køle af i mindst to minutter, før benzindækslet fjernes.
- Påfyld brændstof udendørs eller på et godt udluftet område.
- Overfyld ikke brændstofftanken. Fyld ikke over bund brændstofftankens hals for at tillade ekspansion brændstof.
- Hold benzin væk fra gnister, åben ild, tændflammer, varme eller andre antændelseskilder.
- Kontroller hyppigt brændstoffledning, tank, dæksel og beslag for revner eller lækage. Udskift efter behov.
- Hvis der bliver spildt brændstof, skal du vente til det er fordampet, før motoren startes.

### Når motoren startes

- Sørg for at tændrør, lydpotte, brændstoffdæksel og luftfilter (hvis monteret) er på plads og er fastspændte.
- Prøv ikke at starte motoren med tændrøret fjernet.
- Hvis motoren er druknet, så sæt chokeren (hvis den findes) på åbn- / kør-stilling, sæt speederen (hvis den findes) over i hurtig stilling, og bliv ved, indtil den starter.

### Ved betjening af udstyret

- Undgå at vippe motoren eller udstyret, således at brændstoffet løber ud.
- Brug ikke chokeren til at standse motoren.
- Start aldrig motoren, og lad aldrig motoren køre med luftfilterenheden (hvis monteret) eller luftfiltret (hvis monteret) fjernet.

#### Under olieskift

- Hvis du tømmer olien fra oliepåfyldningsrøret i toppen, skal brændstofftanken være tom, da brændstoffet ellers kan løbe ud og resultere i brand eller eksplosion.

#### Når enheden vippes ved vedligeholdelse

- Når der udføres vedligeholdelse, der kræver, at enheden vippes, skal brændstofftanken, hvis monteret på motoren, være tom, da brændstoffet ellers kan løbe ud og resultere i brand eller eksplosion.

#### Under transport af udstyr

- Transport med TOM brændstofftank eller med brændstoffventilen i stillingen CLOSED.

#### Opbevaring af brændstof eller redskaber med brændstof i tanken

- Opbevares på afstand af fyr, ovne, vandvarmere eller andet udstyr, som kan have en tændflamme eller anden antændelseskilde, da de kan antænde benzindampe.



Start af motoren forårsager gnistdannelse.

Gnister kan antænde brændbare luftarter i nærheden.

Dette kan resultere i eksplosion og brand.

- Hvis der er en lækage af natur- eller flaskegas i området, må motoren ikke startes.
- Brug ikke startvæsker under tryk, da dampene er brændbare.



**FARE FOR GIFTIGE GASSER.** Motorudstødning indeholder kulilte, som er en giftig gas, der kan dræbe på få minutter. Du kan hverken se, lugte eller smage det. Selv om du ikke kan lugte udstødningsgasser, kan du stadigvæk være udsat for kulilteforgiftning. Hvis du begynder at få kvalme, føle dig svimmel eller svag, mens du bruger maskinen, skal du have frisk luft MED DET SAMME. Søg lægehjælp. Du kan være udsat for kulilteforgiftning.

- Betjen KUN denne maskine udendørs langt væk fra døre, vinduer og ventilatorer for at undgå, at kuliltegasser samler sig og evt. driver hen imod steder, hvor folk befinder sig.
- Installer batteridrevne kuliltealarmer eller strømtilsluttede alarmer med batterisupport i henhold til producentens vejledning. Røgalarmer kan ikke registrere kulilte.
- DU MÅ IKKE betjene denne maskine indendørs i hjem, garager, kældre, krybekældre, skure eller på andre delvist lukkede steder, også selvom du bruger ventilatorer eller har åbne døre og vinduer for at sikre ordentlig ventilation. Kulilte kan hurtigt akkumuleres på sådanne steder og kan være ved i timevis, efter at maskinen er blevet afbrudt.
- Anbring ALTID denne maskine i vindretningen, og sørg for, at udstødningen peger væk fra steder, hvor der er folk til stede.



Hurtig tilbagetrækning af startsnoren (tilbageslag) vil bevirke, at din hånd og arm bliver trukket hurtigere mod motoren, end du kan kontrollere.

Konsekvenserne kan være brækkede knogler, skrammer eller forstuvninger.

- Når du starter motoren, så træk langsomt i startsnoren, indtil der mærkes modstand, og træk så kraftigt for at undgå tilbageslag.
- Fjern alle ydre anordninger / belastninger på motoren, før du starter den.
- Direkte tilkoblede dele på udstyret f.eks. skæreknive, skovhjul, remskiver, kædehjul osv. skal være forsvarligt monteret.



Roterende dele kan komme i kontakt med eller gribe hænder, fødder, hår, beklædning og smykker.

Dette kan medføre, at legemsdele skæres af, eller at brugeren får alvorlige snitsår.

- Redskaber må kun anvendes med alle sikkerhedsafskærmninger på plads.
- Hold hænder og fødder i sikker afstand fra roterende dele.
- Bind langt hår op, og fjern smykker.
- Undgå at bære løstsiddende tøj, tøj med snore eller andre genstande, der kan sætte sig fast i de roterende dele.



Kørende motorer danner varme. Motordele, især lydpotte, bliver ekstremt varme.

Alvorlige forbrændinger kan opstå ved kontakt.

Brændbart affald såsom blade, græs, krat osv. kan blive antændt.

- Lad lydpotte, motorcylinder og køleribber køle af, før du rører ved dem.
- Fjern brændbart materiale fra området omkring lydpotten og cylinderen.
- Det er en overtrædelse af staten Californiens forskrifter om offentlige ressourcer, afsnit 4442 at bruge eller betjene motoren på ethvert skov-, krat- eller græsdækket område medmindre udstødningssystemet er forsynet med en korrekt vedligeholdt gnistfanger, som beskrevet i afsnit 4442. Andre stater eller forbundsområder kan have tilsvarende love. Kontakt en autoriseret fabrikant eller serviceforhandler angående anskaffelse af en gnistfanger, der er konstrueret til det udstødningssystem, der er monteret på den pågældende maskine.



Utilsigtede gnister kan resultere i brand eller elektrisk stød.

Utilsigtet start kan resultere i indvikling, traumatisk amputation eller lemlæstelse.

Brandfare

Inden påbegyndelse af justeringer eller reparationer:

- Fjern tændrørskablet, og hold det på behørig afstand af tændrørret.
- Frakobl batteriet på den negative terminal (gælder kun motorer med elektrisk start).
- Brug passende værktøjer.
- Undlad at røre ved regulatorfjederen, forbindelser eller andre dele, der er med til at øge motorens hastighed.
- Reservedelene skal have samme udformning, og de skal placeres på præcis samme måde som de originale dele. Andre reservedele vil ikke give den samme ydelsesgrad, kan ødelægge maskinen og resultere i personskade.
- Slå aldrig på svinghjulet med en hammer eller en hård genstand, da dette kan få svinghjulet til at splintres under drift.

Under test af gnister:

- Brug en godkendt tændrørstester.
- Test ikke for gnister med tændrøret fjernet.

## Funktioner og betjeningsanordninger

### Motorens betjeningslementer










Sammenlign illustrationen (figur: 1, 2, 3) med din motor for at lære placeringen af udstyr og betjeningslementer.

- Identifikation af motoren **Model-, type- og kodenummer**
- Tændrør
- Luftfilter (fladt eller ovalt)
- Chokerregulator
- Brændstoffhane (hvis monteret)
- Startsnorgreb
- Luftindsugningsgitter
- Gasregulator (hvis monteret)
- Stopkontakt (hvis monteret)
- Brændstofftank og tankdæksel
- Forlænget oliepind (hvis monteret)



- L. Kort oliepinde (hvis monteret)
- M. Olieaftapningsprop
- N. Oliepåfyldning
- O. Lyddæmper, lyddæmperskærm (hvis monteret), gnistfanger (hvis monteret)
- P. Sikkerhedsnøgle (modeller med elektrisk starter)
- Q. Tænd/slukknop (modeller med elektrisk starter)
- R. Reduktionsgearenhed (hvis monteret)
- S. Stopkontakt (modeller med elektrisk starter)

## Motorfaresymboler og deres betydninger

Symbol	Betydning	Symbol	Betydning
	Motorhastighed - HURTIG		Motorhastighed - LANGSOM
	Motorhastighed - STOP		TIL - FRA
	Motorstart - choker LUKKET		Motorstart - choker ÅBEN
	Brændstofdæksel Brændstofhane - ÅBEN		Brændstofhane - LUKKET
	Brændstofniveau - maks. Undgå at overfylde		

## Betjening

### Olieanbefalinger

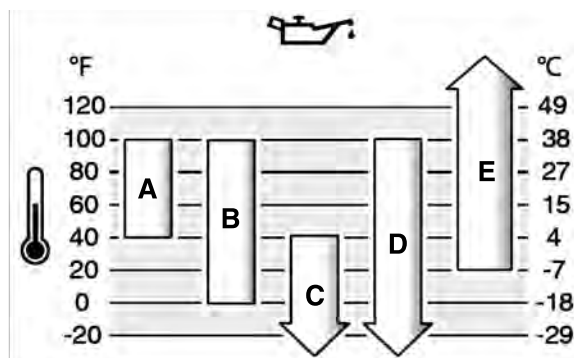
Oliekapacitet: Se afsnittet *Specifikationer*.

#### BEMÆRK

Denne motor blev leveret af Briggs & Stratton uden olie. Producenter eller forhandlere af udstyret kan have fyldt olie på motoren. Inden du starter motoren første gang, skal du sørge for at kontrollere oliestanden og påfylde olie i overensstemmelse med anvisningerne i denne manual. Hvis du starter motoren uden olie, vil den blive beskadiget uden mulighed for at reparere den, og det er ikke omfattet af garantien.

Vi anbefaler at bruge olie, der er garantigodkendt af Briggs & Stratton for at opnå den bedste ydeevne. Andre selvrensende olier af høj kvalitet er acceptable, hvis de er godkendt til SF-, SG-, SH-, SJ-service eller højere. Undlad at bruge specielle tilsætningsstoffer.

Udendørstemperaturer er afgørende for den passende olieviskositet til motoren. Brug tabellen til at vælge den bedste viskositet til det forventede udendørs temperaturinterval. Motorer i det meste udstyr til udendørs brug kører godt med syntetisk olie 5W-30. Til udstyr, der bruges i varmere temperaturer, yder Vanguard™ 15W-50 syntetisk olie den bedste beskyttelse.



A	SAE 30 - Under 4 °C (40 °F) vil brugen af SAE 30 gøre det svært at starte.
B	10W-30 - Over 27 °C (80 °F) kan brugen af 10W-30 medføre forhøjet olieforbrug. Kontrollér oliestanden oftere.
C	5W-30
D	Syntetisk 5W-30
E	Vanguard™ syntetisk 15W-50

## Kontrollér oliestand

Se figur: 4, 5

### Før påfyldning eller kontrol af olien

- Kontrollér, at motoren står plant.
- Rengør oliepåfyldningsområdet for affaldsrester.

### Oliepåfyldningsdæksel (hvis monteret)

1. Fjern oliepåfyldningsdækslet (A, figur 4).
2. Hvis oliestanden er for lav, skal du langsomt påfylde olie i motoroliepåfyldningen (B, figur 4). Fyld, indtil olien løber over.
3. Monter oliepåfyldningsdækslet, og spænd det igen (A, figur 4).

### Kort oliepinde (hvis monteret)

1. Tag oliepinde (C, figur 4) ud, og tør den af med en ren klud.
2. Monter oliepinde (C, figur 4). **Må ikke drejes eller strammes.**
3. Træk oliepinde op, og kontrollér oliestanden. Du finder den korrekte oliestand øverst på indikatoren for fuld (D, figur 4) på oliepinde.
4. Hvis oliestanden er for lav, skal du langsomt påfylde olie i motoroliepåfyldningen (B, figur 4). Fyld, indtil olien løber over.
5. Sæt oliepinde på plads, og spænd den igen (C, figur 4).

### Forlænget oliepinde (hvis monteret)

1. Fjern oliepinde (A, figur 5) ud, og tør den af med en ren klud.
2. Sæt oliepinde i, og spænd den (A, figur 5).
3. Træk oliepinde op, og kontrollér oliestanden. Du finder den korrekte oliestand øverst på indikatoren for fuld (B, figur 5) på oliepinde.
4. Hvis oliestanden er for lav, skal du langsomt påfylde olie i motoroliepåfyldningen (C, figur 5). **Undgå at overfylde.** Efter oliepåfyldningen vent et minut, og kontrollér så oliestanden.
5. Sæt oliepinde på plads, og spænd den igen (A, figur 5).

## Beskyttelsessystem for lav oliestand (hvis monteret)

Nogle motorer er udstyret med en sensor for lav oliestand. Hvis oliestanden er lav, aktiverer sensoren enten et advarselslys eller standser motoren. Stands motoren, og følg disse trin, før du genstarter motoren.

- Kontrollér, at motoren står plant.
- kontrollér derefter oliestanden. Se afsnittet **Kontrollér oliestand**.
- Hvis oliestanden er lav, så tilføj den korrekte mængde olie. Start motoren, og sørg for, at advarselslyset (hvis monteret) ikke er aktiveret.
- Hvis oliestanden ikke er lav, må du ikke starte motoren. Kontakt en autoriseret forhandler fra Briggs & Stratton for at få rettet olieproblemet.

# Anbefalet brændstof

## Brændstoffet skal opfylde disse krav:

- Ren, frisk blyfri benzin.
- Minimum 87 oktan/87 AKI (91 RON). Anvendelse i store højder; se nedenfor.
- Benzin med op til 10 % etanol (gasohol) er acceptabelt.

**BEMÆRK** Der må ikke bruges ikke-godkendt benzin, som for eksempel E85. Der må ikke blandes olie i benzin, og der må ikke foretages ændringer på motoren for at køre med alternative brændstoffer. Brug af ikke-godkendt brændstof resulterer i skader på motorkomponenterne, som ikke vil være dækket af garantien.

For at beskytte brændstofsyste­met mod dannelse af gummi kan en stabilisator iblandes brændstoffet. Se **Opbevaring**. Brændstoffer er forskellige. Såfremt du oplever start- eller driftsproblemer, så skift brændstof leverandør eller mærke. Motoren er certificeret til drift med benzin. Emissionskontrollsystemet for denne motor er EM (Engine Modifications).

## Højder

Ved højder over 1.524 m (5.000 fod) er en minimum 85 oktan/85 AKI (89 RON) benzin acceptabel.

Til karburatormotorer kræves justering ved anvendelse i store højder for at opretholde driften. Drift uden disse justeringer vil medføre en nedgang i ydelse, en stigning i brændstofforbrug og øget emissioner. Besøg en autoriseret forhandler Briggs & Stratton for at få oplysninger om højde tilpasning. Drift af en motor, der er justeret til store højder, kan ikke anbefales i højder under 762 m (2.500 fod).

For motorer med elektronisk brændstofindsprøjtning (EFI), er det ikke nødvendigt at udføre justering ved anvendelse i store højder.

## Påfyld brændstof

Se figur: 6



**ADVARSEL**

Benzin og benzindampe er yderst brandfarlige og eksplosive.

Brand eller eksplosion kan medføre alvorlige forbrændinger eller døden.

### Under påfyldning af brændstof

- Sluk motoren og lad den køle af i mindst 2 minutter, før benzindækslet fjernes.
  - Påfyld brændstof udendørs eller på et godt udluftet område.
  - Overfyld ikke brændstofftanken. For at give plads til udvidelse skal du undlade af fylde op over bunden af tankens brændstoffkant.
  - Hold benzin væk fra gnister, åben ild, tændflammer, varme eller andre antændelseskilder.
  - Kontroller hyppigt brændstoffledninger, tank, dæksel og beslag for revner eller lækage. Udskift efter behov.
  - Hvis der bliver spildt brændstof, skal du vente til det er fordampet, før motoren startes.
1. Rengør brændstoffdækslet for snavs og affaldsrester. Fjern brændstoffdækslet.
  2. Påfyld brændstofftanken (A, figur 6) med brændstof. For at give plads til udvidelse, undlud af fylde op over bunden af tankens brændstoffkant (B).
  3. Sæt dækslet tilbage på plads.

## Start og stop motoren

Se figur: 7, 8

### Start motoren



**ADVARSEL**

Hurtig tilbagetrækning af startsnoren (tilbageslag) vil bevirke, at din hånd og arm bliver trukket hurtigere mod motoren end du kan kontrollere.

Konsekvenserne kan være brækkede knogler, skrammer eller forstuvninger.

- Når du starter motoren, så træk langsomt i startsnoren indtil der mærkes modstand, og træk så kraftigt for at undgå tilbageslag.



**ADVARSEL**

Benzin og benzindampe er yderst brandfarlige og eksplosive.

Brand eller eksplosion kan medføre alvorlige forbrændinger eller døden.

### Når motoren startes

- Sørg for at tændrør, lydpotte, brændstoffdæksel og luftfilter (hvis monteret) er på plads og er fastspændte.
- Prøv ikke at starte motoren med tændrøret fjernet.
- Hvis motoren er druknet, så sæt chokeren (hvis monteret) på ÅBEN/KØR position, bevæg speederen (hvis monteret) over på stillingen FAST, og bliv ved, indtil den starter.



**ADVARSEL**

**FARE FOR GIFTIGE GASSER.** Motorudstødning indeholder kullite, som er en giftig gas, der kan dræbe på få minutter. Du KAN HVERKEN se det, lugte det eller smage det. Selv om du ikke kan lugte udstødningsgasser, kan du stadigvæk være udsat for kulliteforgiftning. Hvis du begynder at føle dig utilpas, svimmel eller svag under betjening af denne maskine, skal du stoppe den og søge for at få frisk luft OMGÅENDE. Søg lægehjælp. Du kan være udsat for kulliteforgiftning.

- Dette produkt må KUN betjenes udenfor, langt fra vinduer, døre og ventilationsanlæg for at reducere risikoen for, at der samler sig kullite, som kan ledes til områder, hvor der befinder sig folk.
- Installer batteridrevne kullitealarmer eller strømtilsluttede alarmer med batterisupport i henhold til producentens vejledning. Røgalarmer kan ikke registrere kullite.
- DU MÅ IKKE betjene denne maskine indendørs i hjem, garager, kældre, krybekældre, skure eller på andre delvist lukkede steder, også selvom du bruger ventilatorer eller har åbne døre og vinduer for at sikre ordentlig ventilation. Kullite kan hurtigt akkumuleres på sådanne steder og kan vare ved i timevis, efter at maskinen er blevet afbrudt.
- Placer ALTID dette produkt i vindretningen, og lad motorens udstødning vende væk fra områder, hvor der opholder sig folk.

**BEMÆRK** Denne motor blev leveret af Briggs & Stratton uden olie. Inden du starter motoren, skal du sørge for at påfylde olie i overensstemmelse med vejledningerne i denne manual. Hvis du starter motoren uden olie, vil den blive beskadiget uden mulighed for at reparere den, og det er ikke omfattet af garantien.

*Bemærk:* Udstyret kan have fjernbetjening. Se udstyrsmanualen for placering og betjening af fjernbetjeningen.

1. Kontroller motoroliestanden. Se afsnittet **Kontrol af olieniveau**.
  2. Sørg for, at udstyrets kørselsbetjeningsanordninger, hvis monteret, er frakoblet.
  3. Flyt brændstoffhanen (A, figur 7) til stillingen ÅBEN.
  4. Sæt gasregulatoren (C, figur 7), hvis monteret, i stillingen FAST. Betjen motoren i stillingen FAST.
  5. Flyt chokerregulatoren (B, figur 7) til positionen CHOKE.
- Bemærk:* Det er normalt ikke nødvendigt at bruge choker, når man genstarter en varm motor.
6. Sæt stopknappen (D, figur 7), hvis monteret, på stillingen ON.
  7. **Genstart, hvis monteret:** Tag fat om startsnorens håndtag med et fast greb (E, figur 7). Træk langsomt i startsnorens håndtag, indtil der mærkes modstand, og træk så kraftigt til.



**ADVARSEL**

Hurtig tilbagetrækning af startsnoren (tilbageslag) vil bevirke, at din hånd og arm bliver trukket hurtigere mod motoren, end du kan kontrollere. Konsekvenserne kan være brækkede knogler, skrammer eller forstuvninger. Når du starter motoren, så træk langsomt i startsnoren indtil der mærkes modstand, og træk så kraftigt for at undgå tilbageslag.

8. **Elektrisk start, hvis udstyret med sikkerhedsnøgle (F):** Tryk på sikkerhedsnøglen (F, figur 7). Tryk midlertidigt på startknappen (G). Slip startknappen, når motoren starter.
9. **Elektrisk start, hvis udstyret med bilnøglekontakt (H):** Drej tændingskontakten (H, figur 8) hen på startpositionen. Slip tændingskontakten, når motoren starter.

**BEMÆRK** Starterens levetid kan forlænges ved at bruge korte startcykluser (maks. fem sekunder). Vent ét minut mellem startcykluserne.

10. Når motoren bliver varm, skal du flytte chokerregulatoren (B, figur 7) til positionen KØR.

**Bemærk:** Hvis motoren ikke starter efter gentagne forsøg, skal du gå til **BRIGGSandSTRATTON.com** eller kontakte din lokale forhandler eller ringe til **1-800-233-3723** (i USA).

## Stop motoren



**ADVARSEL**

**Benzin og benzindampe er yderst brandfarlige og eksplosive.**

**Brand eller eksplosion kan medføre alvorlige forbrændinger eller døden.**

- Brug ikke chokeren til at stoppe motoren.
1. **Gasregulator (hvis monteret)** Flyt gasregulatoren (C, figur 7) til stillingen LANGSOM, og derefter til STOP.  
**Stopkontakt, hvis monteret:** Drej stopkontakten (D, figur 7) til positionen STOP.  
**Sikkerhedsnøgle (hvis monteret):** Tag sikkerhedsnøglen (F, figur 7) ud, og opbevar den på et sikkert sted uden for børns rækkevidde.  
**Stopkontakt, hvis monteret** Drej tændingskontakten (H, figur 8) over på stillingen OFF. Tag nøglen ud og opbevar den på et sikkert sted uden for børns rækkevidde.
  2. Efter motoren standser, drej brændstofhanen (A, figur 7) til positionen LUKKET.

## Vedligeholdelse

**BEMÆRK** Hvis græsslåmaskinen hældes under vedligeholdelse, skal brændstoffet udtømmes og tændrørssiden skal vende op. Hvis brændstoffet ikke er tom og hvis motoren bliver hældt i en anden retning, kan det være svært at starte motoren pga. olie eller brændstof forurener luftfilteret og/eller tændrøret.



**ADVARSEL**

Når der udføres vedligeholdelse, der kræver, at enheden vippe, skal brændstoffet være tom, da brændstoffet ellers kan løbe ud og resultere i brand eller eksplosion.

Vi anbefaler, at du kontakter en autoriseret serviceforhandler fra Briggs & Stratton vedrørende al vedligeholdelse og service af motoren og motordelen.

**BEMÆRK** Alle dele i denne motor skal være korrekt placeret for at give korrekt funktion.



**ADVARSEL**

**Gnister, som frembringes ved et uheld, kan medføre brand eller stød.**

**Uplanlagt start kan resultere i indvikling, traumatisk amputation eller lemlæstelse.**

**Brandfare**

**Inden påbegyndelse af justeringer eller reparationer:**

- Fjern tændrørskablet og hold det på behørig afstand af tændrøret.
- Tag minuskablet af batteriet, hvis motoren er udstyret med el-starter.
- Brug passende redskaber.
- **FORETAG ALDRIG** ændring af regulatorfjederen, forbindelser eller andre dele for at øge motorens omdrejningstal.
- Reservedelene skal have samme udformning og de skal placeres på præcis samme måde som de originale dele. Andre reservedele vil ikke give den samme ydelsesgrad, kan ødelægge maskinen og resultere i personskaade.
- Slå aldrig på svinghjulet med en hammer eller en hård genstand, da dette kan få svinghjulet til at splintres under drift.

**Under test af gnister:**

- Brug en godkendt tændrørstester.
- Test ikke for gnist med tændrøret fjernet.

## Udførelse af udledningskontrol

Vedligeholdelse, udskiftning eller reparation af udledningskontrolenheder og systemer kan udføres af et ikke autoriseret værksted eller af en enkeltperson. For at få udført udledningskontrollen skal arbejdet imidlertid udføres af en autoriseret forhandler. Se erklæringer om udledningskontrol.

## Vedligeholdelsesskema

<b>Første 5 timer</b>
<ul style="list-style-type: none"><li>• Skift olie</li></ul>
<b>Hver 8. time eller dagligt</b>
<ul style="list-style-type: none"><li>• Kontrollér motorens oliestand</li><li>• Rengør området omkring lydpotte og styring</li><li>• Rengør luftindsugningsgitteret</li></ul>
<b>For hver 25 driftstimer eller én gang årligt</b>
<ul style="list-style-type: none"><li>• Rengør luftfiltret <sup>1</sup></li><li>• Rengør forfilteret (hvis monteret) <sup>1</sup></li></ul>
<b>For hver 50 driftstimer eller én gang årligt</b>
<ul style="list-style-type: none"><li>• Skift motorolie</li><li>• Servicer udstødningssystemet</li></ul>
<b>Efter hver 100 timer</b>
<ul style="list-style-type: none"><li>• Skift olie til reduktionsgear (hvis monteret)</li></ul>
<b>Årligt</b>
<ul style="list-style-type: none"><li>• Udskifte tændrør</li><li>• Udskift luftfilter</li><li>• Udskift forfilter (hvis monteret)</li><li>• Udskift brændstoffilter (hvis monteret)</li><li>• Servicer brændstofsyste</li><li>• Servicer kølesystemet <sup>1</sup></li><li>• Kontroller ventilspillerum <sup>2</sup></li></ul>

<sup>1</sup> Under støvede forhold eller når luftbåret snavs er til stede, rengør da oftere.

<sup>2</sup> Ikke nødvendigt, medmindre der konstateres problemer mht. motorydelse.

## Karburator og motorhastighed

Foretag aldrig justering af karburator og motorhastighed. Karburatoren er fabriksindstillet til at virke effektivt under de fleste omstændigheder. Undlad at røre ved regulatorfjederen, forbindelser eller andre dele der er med til at øge motorens hastighed. Hvis der er behov for justering, så kontakt en autoriseret serviceforhandler fra Briggs & Stratton for service.

**BEMÆRK** Denne udstyrsfabrikant specificerer maks. hastighed for motoren, som er installeret på udstyret. **Overskrid ikke** denne hastighed. Hvis du ikke er sikker på, hvad maks. hastigheden er på udstyret, eller hvilken motorhastighed, der er indstillet fra fabrikken af, så kontakt en autoriseret serviceforhandler fra Briggs & Stratton for hjælp. For sikker og korrekt brug af udstyret, skal motorhastigheden kun justeres af en uddannet servicetekniker.

## Servicer tændrør

Se figur: 9

Kontroller afstanden (A, figur 9) med en afstandsmåler (B). Om nødvendigt genindstil afstanden. Monter og fastspænd tændrøret til det anbefalede moment. Mht. afstandsindstilling og moment, se afsnittet **Specifikationer**.

**Bemærk:** Nogle steder kræver lokal lovgivning anvendelse af et modstands tændrør for at undertrykke tændingssignaler. Hvis motoren oprindeligt var udstyret med et modstands tændrør, så brug den samme type når du udskifter.

## Servicering af udstødningssystem



**ADVARSEL**

**Kørende motorer danner varme. Motordelen, især lydpotten, bliver ekstremt varme.**

**Kontakt med varme dele kan forårsage alvorlige forbrændinger.**

**Der kan gå ild i brændbart affald, som f.eks. blade, græs og grene.**

- Lad lydpotte, motorcylinder og køleribber køle af, før du rører ved dem.
- Fjern brændbart materiale fra området omkring lydpotten og cylinderen.

- Det er en overtrædelse af staten Californiens offentlige ressource forskrifter, afsnit 4442 at bruge eller betjene motoren på ethvert skov-, krat- eller græsdekke område med mindre udstødningssystemet er forsynet med en korrekt vedligeholdt gnistfanger, som beskrevet i afsnit 4442. Andre stater eller forbundsområder kan have tilsvarende love. Kontakt en autoriseret serviceforhandler angående anskaffelse af en gnistfanger, der er konstrueret til det udstødningssystem, der er monteret på den pågældende maskine.

Fjern brændbart materiale fra området omkring lydporten og cylinderen. Kontrollér lydporten for revner, korrosion eller andre skader. Fjern gnistaflederen, hvis den er monteret, og kontrollér den for skader eller karbonblokering. Hvis der er skade, skal der monteres reservedele, før brug.



#### ADVARSEL

Reserve delene skal have samme udformning og de skal placeres på præcist samme måde som de originale dele. Andre reservedele vil ikke give den samme ydelsesgrad, kan ødelægge maskinen og resultere i personskaade.

## Skift motorolie

Se figur: 10, 11, 12

Brugt olie er et farligt affaldsprodukt og skal bortskaffes på passende måde. Undgå at bortkaste sammen med husholdningsaffald. Undersøg med de lokale myndigheder, servicecenter eller forhandler hvordan man kan komme af med det på en genbrugsstation.

### Aftapning af olie

1. Med motoren standset, men stadig varm, trækkes ledningen til tændrøret ud (D, figur 10) og holdes væk fra tændrøret (E).
2. Afmonter olieaftapningsproppen (F, figur 11). Udtøm olien i en godkendt beholder.

*Bemærk:* Enhver af disse olieaftapningspropper (G, figur 11) kan monteres i motoren.

3. Monter og spænd olieaftapningsproppen (F, figur 11), efter at olien er tappet af.

### Påfyldning af olie

- Kontrollér, at motoren står plant.
- Rengør oliepåfyldningsområdet for affaldsrester.
- Se **Specifikationsafsnittet** mht. oliekapacitet.

### Oliepåfyldningsdæksel (hvis monteret)

1. Fjern oliepåfyldningsdækslet (H, figur 11).
2. Hæld langsomt olien i motorens oliepåfyldningshul (C, figur 11). Fyld, indtil olien løber over.
3. Monter oliepåfyldningsdækslet, og spænd det igen (H, figur 11).
4. Tilslut ledningen til tændrøret (D, figur 10) to the spark plug (E).

### Kort oliepinde (hvis monteret)

1. Fjern oliepinden (A, figur 11) ud, og tør den af med en ren klud.
2. Hæld olie langsomt i motorens oliepåfyldningshul (C, figur 11). Fyld, indtil olien løber over.
3. Monter oliepinden (A, figur 11). **Må ikke drejes eller strammes.** Fjern, og kontrollér oliestanden. Det korrekte olieniveau er for oven på indikatoren for fuld (B) på oliemålepinden.
4. Sæt oliepinden på plads, og spænd den igen (A, figur 11).
5. Tilslut ledningen til tændrøret (D, figur 10) to the spark plug (E).

### Forlænget oliepinde (hvis monteret)

1. Fjern oliepinden (A, figur 12) ud, og tør den af med en ren klud.
2. Hæld olie langsomt i motorens oliepåfyldningshul (C, figur 12). **Undgå at overfylde.** Vent et (1) minut efter oliepåfyldningen, og kontroller så oliestanden igen.
3. Sæt oliepinden i, og spænd den (A, figur 12).
4. Fjern, og kontroller oliestanden. Du finder den korrekte oliestand øverst på indikatoren for fuld (B, figur 12) på oliepinden.
5. Sæt oliepinden på plads, og spænd den igen (A, figur 12).
6. Tilslut ledningen til tændrøret (D, figur 10) to the spark plug (E).

## Skift olie til reduktionsgear

Se figur: 13, 14

### 6:1 Reduktionsgear (figur 13)

Hvis din motor er udstyret med en 6:1 reduktionsgearenhed, skal den serviceres på følgende måde:

1. Afmonter oliepåfyldningsproppen (A, figur 13) og olieniveaupropen (B).
2. Afmonter olieaftapningsproppen (C, figur 13), og aftap olien i en egnet beholder.
3. Monter olieaftapningsproppen, og spænd den igen (C, figur 13).
4. Genpåfyld ved langsomt at hælde gearolie (se afsnittet **Specifikationer**) i oliepåfyldningshullet (D, figur 13). Fortsæt med at hælde, indtil olien løber ud af olieniveauhullet (E).
5. Monter olieniveaupropen, og spænd den igen (B, figur 13).
6. Monter oliepåfyldningsproppen, og spænd den igen (A, figur 13).

*Bemærk:* Oliepåfyldningsproppen (A, figur 13) har et udluftningshul (F) og skal monteres oven på gearhusdækslet som vist.

### 2:1 Reduktionsgear (figur 14)

Det er ikke nødvendigt at skifte olie på 2:1 reduktionsgearenheden (G, figur 14).

## Serviceer luftfilter

Se figur: 15, 16, 17



#### ADVARSEL



**Benzin og benzindampe er yderst brandfarlige og eksplosive.**

**Brand eller eksplosion kan medføre alvorlige forbrændinger eller døden.**

- Start aldrig motoren eller lad den køre uden luftrensningsmontagen (om nødvendigt) eller uden luftfilteret (om nødvendigt).

**BEMÆRK** Undlad at bruge komprimeret luft eller rengøringsmidler til rengøring af filteret. Komprimeret luft kan beskadige filteret og rengøringsmidler vil opløse filteret.

Se **vedligeholdelsesoversigten** for servicekrav.

Forskellige modeller anvender enten skum- eller papirfilter. Nogle modeller er også udstyrede med et forfilter der kan vaskes og genbruges. Sammenlign illustrationerne i denne manual med den type, der er installeret på din motor, og serviceer i overensstemmelse hermed.

### Papirluftfilter

1. Løsn monteringsanordning(erne) (A, figur 15, 16).
2. Afmonter dækslet (B, figur 15, 16).
3. Afmonter forfilteret (C, figur 15, 16), hvis monteret, og filteret (D).
4. For at løsne rester bankes filteret (D, figur 15, 16) forsigtigt mod en hård overflade. Hvis filteret er meget snavset bør det udskiftes med et nyt.
5. Vask forfilteret (C, figur 15, 16), hvis monteret, i flydende rengøringsmiddel og vand. Lad forfilteret lufttørre grundigt. **Smør ikke** oile på forfilteret.
6. Saml det tørre forfilter (C, figur 15, 16), hvis monteret, på filteret (D) med læben (G) for forfilteret på bunden af filterfolderne.
7. Monter filteret (D, figur 15, 16).
8. På modeller, der er udstyret med luftfilteret vist i figur 15, skal man montere fligene (E) i slidserne (F).
9. Monter dækslet (B, figur 15, 16), og fastgør det med monteringsanordning(erne) (A).

### Papirluftfilter

1. Løsn monteringsanordning(erne) (A, figur 17).
2. Afmonter dækslet (B, figur 17).
3. Afmonter forfilteret (C, figur 17), hvis monteret, og filteret (D).
4. For at løsne rester bankes filteret (D, figur 17) forsigtigt mod en hård overflade. Hvis filteret er meget snavset bør det udskiftes med et nyt.
5. Afmonter forfilteret (C, figur 17), hvis monteret, fra filteret (D).
6. Vask forfilteret (C, figur 17), hvis monteret, i flydende rengøringsmiddel og vand. Lad forfilteret lufttørre grundigt. **Smør ikke** oile på forfilteret.



7. Saml det tørre forfilter (C, figur 17), hvis monteret, på filteret (D).
8. Monter filteret (D, figur 17) og forfilteret (C), hvis monteret, på basen (E) og på tappen (F). Kontrollér, at filteret passer korrekt på basen.
9. Monter luftfilterdækslet (B, figur 17), og fastgør det med monteringsanordning(er) (A). Sørg for at fastgørelsesbolten er strammet.

## Servicer brændstofsyste

Se figur: 18, 19



**Benzin og benzindampe er yderst brandfarlige og eksplosive.**

**Brand eller eksplosion kan medføre alvorlige forbrændinger eller døden.**

- Hold benzin væk fra gnister, åben ild, tændflammer, varme eller andre antændelseskilder.
- Kontrollér hyppigt brændstofledninger, tank, dæksel og beslag for revner eller lækage. Udskift efter behov.
- wFør rengøring eller udskiftning af brændstoffilteret skal du aftappe eller lukke brændstoftanken eller dens hane.
- Hvis der bliver spildt brændstof, skal du vente til det er fordampet, før motoren startes.
- Udskiftningsdele skal være af samme type som originaldelene og skal monteres samme sted.

### Brændstoffilter, hvis monteret

1. Inden rengøring eller udskiftning af brændstoffilteret (A, figur 18), skal brændstoftanken tømmes, eller brændstofhanen lukkes. Ellers kan brændstoffet sive ud og forårsage brand eller en eksplosion.
2. Brug en bidetang til at klemme fligene (B, figur 18) på spændbøjlerne (C), skyd derefter spændbøjlerne væk fra brændstoffilteret (A). Drej og træk brændstofslangerne (D) af brændstoffilteret.
3. Kontrollér brændstofslangerne (D, figur 18) for revner og lækager. Udskift efter behov.
4. Udskift brændstoffilteret (A, figur 18) med et originalt reservedelsfilter.
5. Fastgør brændstofslangerne (D, figur 18) med klemmer (C) som vist.

### Brændstofsfi, hvis monteret

1. Afmonter brændstofdækslet (A, figur 19).
2. Fjern brændstofsien (B, figur 19).
3. Hvis brændstofsien er tilsmudset, skal den rengøres eller udskiftes. Hvis brændstofsien udskiftes, skal man sørge for at erstatte den med en original reservedels-brændstofsfi.

## Servicering af kølesystem



**Kørende motorer danner varme. Motordele, især lydporten, bliver ekstremt varme.**

**Kontakt med varme dele kan forårsage alvorlige forbrændinger.**

**Der kan gå ild i brændbart affald, som f.eks. blade, græs og grene.**

- Lad lydpotte, motorcylinder og køleribber køle af, før du rører ved dem.
- Fjern brændbart materiale fra området omkring lydporten og cylinderen.

**BEMÆRK** Brug ikke vand til at rengøre motoren Vand kan forurene brændstofsyste

Brug i stedet en børste eller en tør klud til at rengøre motoren.

1. Anvend en børste eller en tør klud til at fjerne snavs fra luftindsugningsområdet.
2. Sørg for, at forbindelseskabler, fjedre og betjeningsgreb er rene
3. Æ Hold området omkring og bag ved lydæmperen fri for græs eller snavs for at undgå antænding af dette
4. Kontrollér, at olietætningsribberne, hvis monteret, er fri for snavs og affald.

Med tiden kan der samle sig snavs i cylinderens køleribber, hvilket kan medføre overophedning af motoren Dette snavs kan ikke ses uden delvist at adskille motoren Få en autoriseret serviceforhandler fra Briggs & Stratton til at inspicere og rengøre luftkølesyste

met som anbefalet i **Vedligeholdelsesoversigten**.

## Opbevaring



**Benzin og benzindampe er ekstremt brændbare og eksplosive.**

**Brand eller eksplosion kan forårsage alvorlige forbrændinger eller dødsfald.**

### Opbevaring af brændstof eller udstyr med brændstof i tanken

- Opbevares på afstand af fyr, ovne, vandvarmere eller andet udstyr, som kan have en tændflamme eller anden antændelseskilde, da de kan antænde benzindampe.

### Brændstofsyste

Se figur: 20

Opbevar motoren plant (almindelig driftsposition). Fyld brændstoftanken (A, figur 20) med brændstof. Fyld ikke over brændstoftankens hals (B), så brændstoffet kan ekspandere.

Brændstof kan blive forældet, når det opbevares i over 30 dage. Gammelt brændstof kan forårsage dannelse af syre- og gummi aflejringer i brændstofsyste

eller på væsentlige karburatordele. For at holde brændstof frisk anvendes **Briggs & Stratton Advanced Formula Fuel Treatment & Stabilizer**, som er tilgængelig hvor originale reservedele til Briggs & Stratton sælges.

Der er ingen grund til at tømme motoren for brændstof, hvis en brændstofstabilisator anvendes ifølge vejledningen. Lad motoren køre i to minutter for at stabilisatoren kan cirkulere gennem brændstofsyste

### Motorolie

Skift motorolien, mens motoren stadig er varm. Se afsnittet **Skift motorolie**.

## Fejlfinding

Hvis du har brug for hjælp, skal du kontakte din lokale forhandler eller gå til **BRIGGSandSTRATTON.com** eller ringe til **1-800-233-3723** (i USA).

## Specifikationer

Model: 120000	
Slagvolumen	12.48 ci (205 cc)
Boring	2.688 in (65,28 mm)
Slaglængde	2.200 in (55,88 mm)
Oliekapacitet	18 - 20 oz (.54 - .59 L)
Olietype til reduktionsgear	80W-90
Oliekapacitet til reduktionsgear	4 oz (0,12 L)
Tændrørsgab	.030 in (.76 mm)
Tilspændingsmoment for tændrør	180 lb-in (20 Nm)
Rotorelektrodeafstand	.010 - .014 in (.25 - .36 mm)
Ventilspillerum (indsugning)	.004 - .006 in (.10 - .15 mm)
Ventilspillerum (udstødning)	.009 - .011 in (.23 - .28 mm)

Model: 150000	
Slagvolumen	15.24 ci (250 cc)
Boring	2.970 in (75,44 mm)
Slaglængde	2.200 in (55,88 mm)
Oliekapacitet	18 - 20 oz (.54 - .59 L)
Olietype til reduktionsgear	80W-90
Oliekapacitet til reduktionsgear	4 oz (0,12 L)
Tændrørsgab	.030 in (.76 mm)
Tilspændingsmoment for tændrør	180 lb-in (20 Nm)
Rotorelektrodeafstand	.010 - .014 in (.25 - .36 mm)

Model: 150000	
Ventilspillerum (indsugning)	.004 - .006 in (,10 - ,15 mm)
Ventilspillerum (udstødning)	.009 - .011 in (,23 - ,28 mm)

Model: 200000	
Slagvolumen	15.63 ci (305 cc)
Boring	3.120 in (79,24 mm)
Slaglængde	2.438 in (61,93 mm)
Oliekapacitet	26 - 28 oz (,77 - ,83 L)
Olietype til reduktionsgear	SAE 30
Oliekapacitet til reduktionsgear	12 oz (,35 L)
Tændrørgab	.030 in (,76 mm)
Tilspændingsmoment for tændrør	180 lb-in (20 Nm)
Rotorelektrodeafstand	.008 - .012 in (,20 - ,30 mm)
Ventilspillerum (indsugning)	.004 - .006 in (,10 - ,15 mm)
Ventilspillerum (udstødning)	.004 - .006 in (,10 - ,15 mm)

Model: 210000	
Slagvolumen	20.85 ci (342 cc)
Boring	3.300 in (83,81 mm)
Slaglængde	2.438 in (61,93 mm)
Oliekapacitet	26 - 28 oz (,77 - ,83 L)
Olietype til reduktionsgear	SAE 30
Oliekapacitet til reduktionsgear	12 oz (,35 L)
Tændrørgab	.030 in (,76 mm)
Tilspændingsmoment for tændrør	180 lb-in (20 Nm)
Rotorelektrodeafstand	.008 - .012 in (,20 - ,30 mm)
Ventilspillerum (indsugning)	.004 - .006 in (,10 - ,15 mm)
Ventilspillerum (udstødning)	.004 - .006 in (,10 - ,15 mm)

Motoreffekten falder med 3,5 % for hver 300 m over havets overflade og med 1 % for hver 5,6 °C over 25 °C. Motoren kan køre tilfredsstillende ved en hældning på op til 15°. Yderligere oplysninger om grænseværdierne for drift på hældninger findes i redskabets betjeningsvejledning.

Reserve dele - Model: 120000, 150000, 200000, 210000	
Reserve del	Delnummer
Fladt luftfilter	491588, 5043
Forfilter til fladt luftfilter	493537, 5064
Ovalt luftfilter (modeller 120000, 150000)	697029, 5059
Forfilter til ovalt luftfilter (modeller 120000, 150000)	273356
Ovalt luftfilter (modeller 200000, 210000)	695302
Forfilter til ovalt luftfilter (modeller 200000, 210000)	695303
Brændstoffilter	694485
Advanced Formula Fuel Treatment & Stabilizer	100117, 100120
Tændrørsmodstand	491055
Long Life Platinum tændrør	5066
Tændrørsgoble	89838, 5023
Gnisttester	19368

Vi anbefaler, at du kontakter en autoriseret Briggs & Stratton forhandler vedrørende al vedligeholdelse og service af motoren og motordele.

**Effektangivelse:** Bruttoeffekten for hver enkelt benzinmotormodel er afmærket i henhold til SAE-kode J1940 (Society of Automotive Engineers) - procedure til angivelse af effekt og moment for små motorer - og angivet i henhold til SAE J1995. Momentværdier afledes ved 2600 o./min. for motorer med "rpm" på mærkaten, og 3060 o./min for alle andre. Hestekræftværdier afledes ved 3600 o./min. Bruttoeffektkurverne kan ses på [www.BRIGGSandSTRATTON.com](http://www.BRIGGSandSTRATTON.com). Nettoeffektværdier bliver målt med udstødnings- og luftfilter monteret, hvorimod bruttoeffektværdier bliver målt uden disse anordninger. Bruttomotoreffekten vil være højere end den faktiske nettomotoreffekt, som påvirkes bl.a. af lokale driftsforhold og variationer fra motor til motor. I betragtning af de mange forskellige produkter, motorerne anvendes i, yder benzinmotoren måske ikke den nominelle

bruttoeffekt, når den anvendes på et givent motorredskab. Denne forskel skyldes en lang række forskellige faktorer, som blandt andet kan omfatte forskelle i motorkomponenter (luftfilter, udstødning, opladning, køling, karburator, brændstofpumpe osv.), anvendelsesbegrænsninger, lokale driftsforhold (temperatur, luftfugtighed, højde over havet) og variationer fra motor til motor. Som følge af produktions- og kapacitetsbegrænsninger forbeholder Briggs & Stratton sig ret til at udskifte motoren i denne serie med en motor med højere nomineret effekt.

## Garanti

### Briggs & Stratton – Motorgaranti

Gældende fra januar 2017

#### Begrænset garanti

Briggs & Stratton garanterer, at man i løbet af garantiperioden angivet nedenfor vil reparere eller udskifte enhver del, der er defekt i materiale eller håndværk eller begge dele, uden beregning. Transportomkostninger i forbindelse med et produkt, som indleveres til reparation eller udskiftning under denne garanti, afholdes af køberen. Denne garanti er gyldig inden for tidsperioderne og underlagt nedenstående betingelser. Find den nærmeste autoriserede serviceforhandler på kortet over forhandlere på [BRIGGSandSTRATTON.COM](http://BRIGGSandSTRATTON.COM) i forbindelse med service under garantien. Køberen skal kontakte den autoriserede serviceforhandler og derefter stille produktet til rådighed for den autoriserede serviceforhandler med henblik på inspektion og afprøvning.

**Der ydes ikke nogen anden udtrykkelig garanti. Underforståede garantier, inklusive garantier for salgbarhed og egnethed til et bestemt formål, er begrænset til garantiperioden, der er angivet nedenfor, eller i den udstrækning loven tillader.**

Ansvar for hændelige skader eller følgeskader er udelukket, i det omfang lovgivningen tillader udelukkelse. Visse stater eller lande tillader ikke begrænsninger på, hvor lang tid en underforstået garanti varer, og visse stater eller lande tillader ikke udelukkelse eller begrænsning af tilfældig skade eller følgeskade, så ovenstående begrænsning og udelukkelse er måske ikke gældende for dig. Denne garanti giver dig specifikke juridiske rettigheder, og du kan endvidere have andre rettigheder, som kan variere fra land til land.

#### Almindelige garantibestemmelser 1, 2, 3

Mærke / produkt navn	Privat brug	Erhvervmæssig brug
Vanguard™; kommerciel serie	36 måneder	36 måneder
Motorer med Dura-Bore™-støbejernsboring	24 måneder	12 måneder
Alle andre motorer	24 måneder	3 måneder

<sup>1</sup> Dette er vores vilkår for standardgaranti, men der kan lejlighedsvist være ekstra garantidækning, der ikke var fastslået på tidspunktet for offentliggørelsen. Hvis du ønsker en liste over gældende garantivilkår for din motor, så gå til [BRIGGSandSTRATTON.com](http://BRIGGSandSTRATTON.com), eller kontakt din autoriserede Briggs & Stratton-serviceforhandler.

<sup>2</sup> Der er ikke garanti for motorer på udstyr, der bruges til priming i stedet for et værktøj eller til standbygeneratorer, der anvendes til kommercielle formål. Motorer, der anvendes til konkurrencemæssig motorsport eller på erhvervs- eller udlejningsbaner, er ikke omfattet af garantien.

<sup>3</sup> Vanguard installeret på standbygeneratorer: 24 måneder ved privat brug. Der gives ikke garanti ved erhvervmæssig brug. Vanguard installeret på hjælpekedetøjer: 24 måneder ved privat brug, 24 måneder ved erhvervmæssig brug. Kommerciel serie med fremstillingsdato for juli 2017, 24 måneder ved privat brug, 24 måneder ved erhvervmæssig brug.

<sup>4</sup> I Australien - Vores produkter sælges med en garanti, der ikke kan bortfalde i henhold til den australske forbrugerlovgivning. Du er berettiget til en erstatning eller refundering i tilfælde af en væsentlig defekt eller til kompensation for ethvert forudseeligt tab eller skade. Du er derudover berettiget til at få dine varer repareret eller erstattet, hvis varerne ikke lever op til kvaliteten, og manglen ikke er i forbindelse med en væsentlig defekt. I forbindelse med service under garantien findes den nærmeste autoriserede serviceforhandler på kortet over forhandlere på [BRIGGSandSTRATTON.COM](http://BRIGGSandSTRATTON.COM), ved at ringe til 1300 274 447 eller ved at sende en e-mail eller skrive til [salesenquires@briggsandstratton.com.au](mailto:salesenquires@briggsandstratton.com.au), Briggs & Stratton Australia Pty Ltd, 1 Moorebank Avenue, Moorebank, NSW, Australia, 2170.

Garanti perioden starter på købsdatoen for den første almindelige eller erhvervmæssige bruger. "Privat brug" betyder brug i personlig beboelsesholdning af en detailkunde. "Erhvervmæssig brug" betyder al anden form for brug, inklusive erhvervmæssigt, indkomstdannende eller lejebaseret formål. Når en motor har været anvendt erhvervmæssigt, skal den herefter anses for at være en motor til erhvervsbrug i henhold til denne garanti.

**Gem dit købsbevis. Hvis du ikke kan fremvise bevis for den oprindelige købsdato på det tidspunkt, hvor der bliver anmodet om garantiservice, vil produktets produktionsdato blive brugt som grundlag for garantien. Det er ikke nødvendigt at registrere sit produkt for at opnå garanti på Briggs & Stratton produkter.**

#### Om garantien

Denne garanti dækker alene motor-relaterede materiale- og/eller fremstillingsfejl og ikke udskiftning eller tilbagebetaling for det redskab, hvorpå motoren måtte være monteret. Rutinemæssig vedligeholdelse, optuning, justeringer eller normal slitage dækkes ikke under denne garanti. På samme måde gælder denne garanti heller ikke, hvis motoren er ændret eller modificeret, eller hvis motorens serienummer er ødelagt eller fjernet. Denne garanti dækker ikke motorskade eller driftsproblemer som følge af:

1. Brug af dele, der ikke er originale dele fra Briggs & Stratton
2. Betjening af motoren med utilstrækkelig, forurenede eller forkert type olie
3. Brug af forurenede eller gammel olie, benzin med mere end 10 % etanol eller brug af alternative brændstoffer som petroleumsvæske eller naturgas på motorer, der ikke oprindeligt er udviklet/fremstillet af Briggs & Stratton til at fungere med sådanne brændstoffer
4. Snavs, der er trængt ind i motoren på grund af utilstrækkelig vedligeholdelse af luftrensesystemet eller genmontering
5. Stød mod et objekt med skærebladet i en roterende plæneklipper, løse eller forkert installerede bladadaptere, rotor eller andet udstyr koblet på krumtapakslen eller for høj V-remspænding
6. Tilhørende dele eller tilbehør som koblinger, transmissioner, udstyrskontroller osv., som ikke leveres af Briggs & Stratton
7. Overophedning på grund af græsslåning, snavs og affald eller gnaverreder, der tilstopper kølefinerne eller svinghjulsområdet eller drift af motoren uden tilstrækkelig ventilation
8. Overdreven vibration på grund af for høj hastighed, løs motormontering, løse eller ubalancerede skæreblade eller rotor eller forkert kobling af udstyrskomponenter på krumtapakslen
9. Misbrug, mangel på rutinevedligeholdelse, forsendelse, håndtering eller udstyrets opbevaring på lager eller forkert motorinstallation.

**Servicegarantien er kun tilgængelig via autoriserede Briggs & Stratton-serviceforhandlere. Find din nærmeste serviceforhandler på vores forhandlerkort på [BRIGGSandSTRATTON.COM](http://BRIGGSandSTRATTON.COM), eller ved at ringe til 1-800-233-3723 (i USA).**

80004537 (rev. C)

Not for  
Reproduction

Dieses Handbuch enthält Sicherheitshinweise, die Sie auf die Gefahren und Risiken beim Betrieb von Motoren hinweisen und Ihnen helfen sollen, diese Gefahren zu vermeiden. Es enthält außerdem Anweisungen zur richtigen Verwendung und Pflege des Motors. Da Briggs & Stratton nicht genau wissen kann, welches Gerät von diesem Motor angetrieben wird, ist es wichtig, dass Sie diese Anweisungen sowie die Anweisungen für das Gerät, das von diesem Motor angetrieben wird, gründlich durchlesen. **Bewahren Sie diese Original-Bedienungsanleitung zum späteren Nachschlagen auf.**

**Hinweis:** Die Abbildungen und Illustrationen in dieser Anleitung dienen nur zur Orientierung und können vom jeweiligen Modell abweichen. Wenden Sie sich bei Fragen an Ihren Händler.

Um in Zukunft Ersatzteile oder technische Unterstützung für Ihren Motor zu erhalten, sollten Sie sich hier die Modell-, Typen- und Codenummer Ihres Motors sowie das Kaufdatum notieren. Diese Nummern befinden sich an Ihrem Motor (siehe Abschnitt **Funktionen und Bedienungselemente**).

<b>Kaufdatum</b>	
<b>Motormodell – Typ – Trim</b>	
<b>Motorseriennummer</b>	

An einigen Motoren befindet sich ein 2D-Barcode. Wenn der Code mit einem 2D-Gerät gescannt wird, wird unsere Website aufgerufen, auf der Sie Informationen zu diesem Produkt bekommen können. Es gelten entsprechende Datenraten. In einigen Ländern ist möglicherweise keine Online-Unterstützung verfügbar.



## Bedienersicherheit

### Sicherheitswarnsymbol und Signalwörter

Das Sicherheitswarnsymbol kennzeichnet Sicherheitsinformationen zu Risiken, die zu Verletzungen führen können. Ein Signalwort (GEFAHR, WARNUNG oder VORSICHT) wird zusammen mit dem Warnsymbol verwendet, um den Grad der Gefahr und die Schwere der möglichen Verletzung anzugeben. Darüber hinaus kann ein Gefahrensymbol zur Kennzeichnung der Art der Gefahr benutzt werden.

**GEFAHR** weist auf eine Gefahr hin, die **zum Tod oder zu schweren Verletzungen führt**, wenn sie nicht vermieden wird.

**WARNUNG** weist auf eine Gefahr hin, die **zum Tod oder zu schweren Verletzungen führen könnte**, wenn sie nicht vermieden wird.

**VORSICHT** weist auf eine Gefahr hin, die **zu leichten bis mittelschweren Verletzungen führen könnte**, wenn sie nicht vermieden wird.

**HINWEIS** weist auf eine Situation hin, in der **das Produkt beschädigt werden könnte**.

### Gefahrensymbole und ihre Bedeutung

Symbol	Bedeutung	Symbol	Bedeutung
	Sicherheitsinformationen zu Gefahren, die zu Verletzungen führen können.		Lesen Sie sich die Bedienungsanleitung gründlich durch, bevor Sie das Gerät einsetzen oder warten.
	Feuergefahr		Explosionsgefahr
	Stromschlaggefahr		Gefährdung durch giftige Dämpfe

Symbol	Bedeutung	Symbol	Bedeutung
	Gefährdung durch heiße Oberflächen		Lärmgefährdung – bei längerem Einsatz wird ein Gehörschutz empfohlen.
	Gefährdung durch hochgeschleuderte Gegenstände – Augenschutz tragen.		Explosionsgefahr
	Erfrierungsgefahr		Rückschlaggefahr
	Amputationsgefahr – bewegliche Teile		Gefährdung durch Chemikalien
	Gefährdung durch Wärme		Ätzend

## Sicherheitsvorkehrungen

**WARNUNG**

Gemäß den Erkenntnissen des Staates Kalifornien enthalten bestimmte Bestandteile und Zubehörteile des Produkts Chemikalien, die Krebs oder Geburtsfehler verursachen oder die Fortpflanzungsfähigkeit beeinträchtigen können. Waschen Sie sich nach Umgang mit solchen Teilen die Hände.

**WARNUNG**

Gemäß den Erkenntnissen des Staates Kalifornien enthalten die Motorabgase dieses Produkts Chemikalien, die Krebs oder Geburtsfehler verursachen oder die Fortpflanzungsfähigkeit beeinträchtigen können.

**WARNUNG**

Motoren von Briggs & Stratton sind nicht konzipiert und nicht geeignet für den Antrieb von Fun-Karts, Go-Karts, Freizeitfahrzeugen für Kinder, Geländefahrzeugen für den Motorsport, Motorrädern, Luftkissenfahrzeugen, Luftfahrzeugen oder Fahrzeugen für den Rennsport, wenn dies nicht von Briggs & Stratton genehmigt ist. Informationen über Rennsportprodukte finden Sie auf [www.briggsracing.com](http://www.briggsracing.com). Zum Einsatz mit Nutzfahrzeug-ATVs und Side-by-side-ATVs wenden Sie sich bitte an das Briggs & Stratton Engine Application Center, 1-866-927-3349. Unvorschriftsmäßige Motoranwendung kann zu schweren Verletzungen oder zum Tod führen.

**WARNUNG**

**Kraftstoff und Kraftstoffdämpfe sind extrem entzündlich und es besteht Explosionsgefahr.**

**Brand oder Explosionen können zu schweren Verbrennungen oder Tod führen.**

#### Bei der Betankung

- Stellen Sie den Motor ab und lassen Sie ihn mindestens 2 Minuten abkühlen, bevor Sie die Verschlusskappe entfernen.
- Füllen Sie den Tank im Freien oder an einem gut belüfteten Ort auf.
- Überfüllen Sie den Kraftstofftank nicht. Füllen Sie den Kraftstoff nicht über die Unterkante des Tankstutzens auf, damit sich das Benzin ausdehnen kann.
- Halten Sie den Kraftstoff von Funken, offenen Flammen, Zündflammen, Hitze oder anderen Zündquellen fern.
- Überprüfen Sie die Kraftstoffleitungen, den Tank, den Tankdeckel und die Anschlüsse regelmäßig auf Risse und Undichtheiten. Wechseln Sie die Teile gegebenenfalls aus.
- Sollte Kraftstoff auslaufen, warten Sie ab, bis dieser verdunstet ist und starten Sie erst dann den Motor.



### Beim Starten des Motors

- Darauf achten, dass Zündkerze, Schalldämpfer, Tankdeckel und Luftfilter (falls vorhanden) an ihrem Platz und sicher befestigt sind.
- Den Motor nicht anlassen, wenn die Zündkerze entfernt wurde.
- Falls der Motor absäuft, stellen Sie den Choke (falls vorhanden) auf die Position OFFEN/BETRIEB, bewegen Sie den Hebel (falls vorhanden) in die Position SCHNELL und lassen Sie den Motor an.

### Bei Betrieb des Geräts

- Motor bzw. Gerät nicht so kippen, dass Kraftstoff verschüttet werden könnte.
- Den Vergaser nicht abdrosseln, um den Motor abzustellen.
- Starten Sie niemals den Motor, wenn der Luftreiniger (falls vorhanden) oder der Luftfilter (falls vorhanden) entfernt wurde.

### Beim Ölwechsel

- Wenn Sie das Öl über das oben befindliche Öleinfüllrohr ablassen, muss der Kraftstofftank leer sein, da ansonsten Kraftstoff auslaufen kann und somit Feuer- und Explosionsgefahr besteht.

### Wenn das Gerät zur Wartung gekippt wird

- Bei Wartungsarbeiten, bei denen das Gerät gekippt werden muss, muss der Kraftstofftank (falls am Motor befestigt) leer sein, weil sonst Kraftstoff auslaufen und Feuer oder Explosionen verursachen kann.

### Beim Transport des Geräts

- Beim Transport muss der Kraftstofftank LEER oder der Kraftstoffhahn GESCHLOSSEN sein.

### Bei der Lagerung von Brennstoff oder Geräten mit Brennstoff im Tank

- Nicht in der Nähe von Öfen, Herdplatten, Wasserboilern oder anderen Geräten lagern, die Kontrollleuchten oder andere Zündquellen haben, weil sie Brennstoffdämpfe entzünden können.



WARNUNG

Beim Starten des Motors entstehen Funken.

Die Funken können entflammbare Gase entzünden.

Es können Explosionen oder Feuer entstehen.

- Besteht die Gefahr der Ausströmung von Flüssig- oder Naturgas, darf der Motor nicht gestartet werden.
- Verwenden Sie keine Starthilfe-Sprays, da deren Dämpfe leicht entzündbar sind.



WARNUNG

**GIFTGASGEFAHR.** Motorabgase enthalten Kohlenmonoxid, ein giftiges Gas, das Sie innerhalb von Minuten töten kann. Es ist unsichtbar, geruch- und geschmacklos. Auch wenn Sie keine Abgase riechen, können Sie trotzdem Kohlenmonoxid ausgesetzt sein. Sobald Sie sich während der Benutzung dieses Geräts übel, schwindlig oder schwach fühlen, gehen Sie SOFORT an die frische Luft. Suchen Sie einen Arzt auf. Sie könnten eine Kohlenmonoxidvergiftung haben.

- Setzen Sie dieses Produkt NUR im Freien in angemessener Entfernung von Fenstern, Türen und Lüftungsöffnungen ein, damit sich Kohlenmonoxid nicht ansammeln und möglicherweise in Räume eindringen kann, in denen sich Menschen aufhalten.
- Installieren Sie batteriebetriebene Kohlenmonoxid-Warnmelder oder netzbetriebene Warnmelder mit Batterie-Notstromversorgung entsprechend den Herstelleranweisungen. Rauchmelder reagieren nicht auf Kohlenmonoxid.
- Lassen Sie dieses Gerät NICHT in Wohnungen, Garagen, Kellern, Zwischenräumen, Schuppen oder anderen teilweise geschlossenen Räumen laufen, selbst wenn Sie Ventilatoren oder offene Türen und Fenster zur Belüftung verwenden. Kohlenmonoxid kann sich schnell in diesen Räumen ansammeln und dort stundenlang bleiben, auch nachdem das Gerät ausgeschaltet wurde.
- Stellen Sie dieses Produkt IMMER in Windrichtung auf und richten Sie den Motorauspuff weg von Räumen, in denen sich Menschen aufhalten.



WARNUNG

Durch schnellen Rückzug des Starterseils werden Hand und Arm schneller zum Motor gezogen, als das Seil losgelassen werden kann.

Letzteres kann zu Knochenbrüchen, Prellungen oder Verstauchungen führen.

- Beim Starten des Motors ziehen Sie langsam am Kabel, bis der Widerstand gelöst wird, dann ziehen Sie einmal schnell, um ein Kickback zu vermeiden.
- Alle externen Geräte- und Motorlasten beseitigen, bevor der Motor gestartet wird.
- Direkt mit dem Motor verbundene Gerätekomponenten wie u. a. Schnittmesser, Impeller, Seilscheiben, Zahnräder usw. müssen sicher befestigt sein.



WARNUNG

Die rotierenden Teile können mit den Händen, Füßen, dem Haar, Kleidungsstücken oder ähnlichem in Kontakt kommen oder diese einklemmen.

Es kann zu Amputationen oder anderen schweren Verletzungen kommen.

- Beim Einsatz des Geräts müssen sich alle Schutzvorrichtungen an ihrem Platz befinden.
- Hände und Füße von rotierenden Teilen fern halten.
- Stecken Sie lange Haare hoch und legen Sie Schmuck ab.
- Keine lose sitzende Kleidung, herunterbaumelnde Schnüre oder ähnliche Teile tragen, die sich verfangen könnten.



WARNUNG

Laufende Motoren erzeugen Wärme. Teile des Motors, besonders der Schalldämpfer, können sehr heiß werden.

Bei Berührung kann es zu schweren Verbrennungen kommen.

Brennbare Rückstände wie z.B. Blätter, Gras, Büsche etc. können in Brand geraten.

- Lassen Sie den Schalldämpfer, die Zylinder und die Rippen des Kühlers abkühlen, bevor Sie sie anfassen.
- Entfernen Sie Ablagerungen vom Schalldämpfer und vom Zylinder.
- Es bedeutet einen Verstoß gegen das Kapitel 4442 der öffentlichen Vorschrift zur Verwendung von Rohstoffen von Kalifornien, den Motor in der Nähe von waldbedeckten, buschbedeckten oder grasbedeckten Ländereien zu verwenden, es sei denn, das Auspuffsystem ist effektiv gewartet und mit einem Funkenfänger ausgestattet, wie in Abschnitt 4442 beschrieben. Andere Staaten oder Bundesgebiete können ähnliche Gesetze haben. Einen passenden Funkenfänger für die an diesem Motor installierte Auspuffanlage finden Sie beim Gerätehersteller oder Händler.



WARNUNG

Versehentliche Funkenbildung kann Feuer oder Stromschläge verursachen.

Ein ungewollte Inbetriebsetzung kann zum Einziehen, Abtrennen von Gliedmaßen oder zu Schnittverletzungen führen.

Brandgefahr

### Vor Einstellungs- oder Reparaturarbeiten:

- Das Zündkabel abziehen und von der Zündkerze fern halten.
- Die Batterie an der negativen Klemme trennen (nur Motoren mit Elektrostart).
- Die richtigen Werkzeuge verwenden.
- Keine Reglerfeder, Gestänge oder andere Teilen manipulieren, um die Drehzahl zu erhöhen.
- Ersatzteile müssen den Originalteilen entsprechen und in derselben Position angebracht werden. Andere Ersatzteile können möglicherweise nicht richtig funktionieren, die Maschine beschädigen und zu Verletzungen führen.
- Nicht mit einem Hammer oder anderen harten Gegenstand gegen das Schwungrad schlagen, weil es sonst später während des Betriebs auseinander platzen könnte.

### Bei der Zündfunkenkontrolle:

- Einen zugelassenen Zündkerzenprüfer verwenden.
- Zündung nicht bei entfernter Zündkerze überprüfen.

# Funktionen und Bedienungselemente

## Bedienungselemente am Motor

Vergleichen Sie die Abbildung (Abb.: 1, 2, 3) mit Ihrem Motor, um die Positionen der einzelnen Funktionen und Bedienungselemente kennen zu lernen.

- A. Motorkennzeichnung **Modell - Typ - Code**
- B. Zündkerze
- C. Luftfilter (flach oder oval)
- D. Chochehebel
- E. Kraftstoffhahn (falls vorhanden)
- F. Starterseilgriff
- G. Lufteinlassgitter
- H. Gashebel (falls vorhanden)
- I. Stoppschalter (falls vorhanden)
- J. Kraftstofftank und Deckel
- K. Verlängerter Ölmesstab (falls vorhanden)
- L. Kurzer Ölmesstab (falls vorhanden)
- M. Ölablassschraube
- N. Öleinfüllöffnung
- O. Schalldämpfer, Berührungsschutz (falls vorhanden), Funkenfänger (falls vorhanden)
- P. Sicherheitsschlüssel (Modelle mit elektrischem Anlasser)
- Q. EIN/AUS-Schalter (Modelle mit elektrischem Anlasser)
- R. Untersetzungsgetriebe (falls vorhanden)
- S. Schlüsselschalter (Modelle mit elektrischem Anlasser)

## Symbole zur Motorregelung und ihre Bedeutungen

Symbol	Bedeutung	Symbol	Bedeutung
	Motordrehzahl – SCHNELL		Motordrehzahl – LANGSAM
	Motordrehzahl – STOPP		EIN – AUS
	Motorstart – Choche GESCHLOSSEN		Motorstart – Choche OFFEN
	Tankdeckel Kraftstoffhahn – OFFEN		Kraftstoffhahn – GESCHLOSSEN
	Kraftstoffpegel – Maximum Nicht überfüllen		

## Betrieb

### Empfehlungen zum Öl

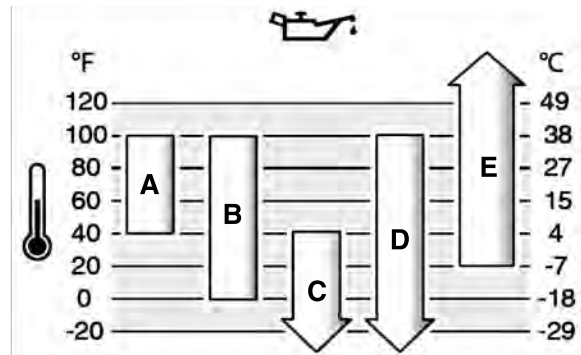
Ölmenge: Siehe den *Technische Daten* Abschnitt.

### HINWEIS

Dieser Motor wird von Briggs & Stratton ohne Öl geliefert. Gerätehersteller oder Händler können Öl dem Motor hinzugefügt haben. Vor Start des Motors muss entsprechend den Anweisungen in dieser Anleitung der Ölstand überprüft und nachgefüllt werden. Wenn der Motor ohne Öl gestartet wird, wird er so beschädigt, dass er nicht mehr repariert werden kann. Dieser Schaden wird nicht von der Garantie abgedeckt.

Um eine bestmögliche Leistung zu garantieren, empfehlen wir die Verwendung von durch die Briggs & Stratton-Garantie abgedeckten Ölen. Andere hochwertige Öle sind zulässig, wenn sie für die Klassen SF, SG, SH, SJ oder höher klassifiziert sind. Verwenden Sie keine speziellen Additive.

Die Lufttemperaturen bestimmen die richtige Ölviskosität für den Motor. Verwenden Sie die Tabelle, um die beste Viskosität für den erwarteten Außentemperaturbereich auszuwählen. Motoren auf den meisten Outdoor-Geräten funktionieren gut mit 5W-30 Synthetiköl. Bei Geräten, die unter heißen Temperaturen betrieben werden, bietet Vanguard™ 15W-50 Synthetisches Öl den besten Schutz.



A	<b>SAE 30</b> – SAE 30 Unter 4 °C führt die Verwendung von SAE 30 zu einem schweren Start.
B	<b>10W-30</b> – Bei über 27 °C kann die Verwendung von 10W-30 zu einem höheren Ölverbrauch führen. Überprüfen Sie den Ölstand öfter.
C	<b>5W-30</b>
D	<b>Synthetisch 5W-30</b>
E	<b>Vanguard™ Synthetic 15W-50</b>

## Ölstandskontrolle

Siehe Abbildung: 4, 5

### Vor dem Nachfüllen von Öl bzw. der Ölstandskontrolle

- Darauf achten, dass der Motor waagrecht steht.
- Schmutz vom Öleinfüllbereich entfernen.

### Öleinfülldeckel, falls vorhanden

1. Den Öleinfülldeckel (A, Abb. 4) abnehmen.
2. Bei zu niedrigem Ölstand langsam Öl in die Motoröleinfüllöffnung (C, Abb. 4) gießen. Bis zum Überlaufpunkt gießen.
3. Den Öleinfülldeckel (A, Abb. 4) wieder einsetzen und festziehen.

### Kurzer Ölmesstab, falls vorhanden

1. Den Ölmesstab (C, Abb. 4) herausnehmen und mit einem sauberen Tuch abwischen.
2. Den Ölmesstab (C, Abb. 4) einsetzen. **Nicht drehen oder festziehen.**
3. Den Ölmesstab herausziehen und den Ölstand kontrollieren. Bei korrektem Ölstand steht das Öl oben an der Voll-Marke (D, Abb. 4) am Ölmesstab.
4. Bei zu niedrigem Ölstand langsam Öl in die Motoröleinfüllöffnung (B, Abb. 4) gießen. Bis zum Überlaufpunkt gießen.
5. Den Ölmesstab (C, Abb. 4) wieder einsetzen und festziehen.

### Verlängerter Ölmesstab, falls vorhanden

1. Den Ölmesstab (A, Abb. 5) herausnehmen und mit einem sauberen Tuch abwischen.
2. Den Ölmesstab (A, Abb. 5) einsetzen und festziehen.
3. Den Ölmesstab herausziehen und den Ölstand kontrollieren. Bei korrektem Ölstand steht das Öl oben an der Voll-Marke (B, Abb. 5) am Ölmesstab.

- Bei zu niedrigem Ölstand langsam Öl in die Motoröleinfüllöffnung (C, Abb. 5) gießen. **Nicht überfüllen.** Nach dem Einfüllen des Öls eine Minute warten und dann den Ölstand erneut kontrollieren.
- Den Ölmesstab (A, Abb. 5) wieder einsetzen und festziehen.

## Ölmangel-Schutzsystem (falls vorhanden)

Einige Motoren sind mit einem Ölmangelsensor ausgestattet. Bei niedrigem Ölstand aktiviert der Sensor entweder eine Warnlampe oder stoppt den Motor. Den Motor abstellen und die folgenden Schritte durchgehen, bevor er wieder gestartet wird.

- Darauf achten, dass der Motor waagrecht steht.
- Den Ölstand kontrollieren. Siehe Abschnitt **Ölstandskontrolle**.
- Bei zu niedrigem Ölstand die erforderliche Menge Öl nachfüllen. Den Motor starten und kontrollieren, dass die Warnlampe (falls vorhanden) nicht aktiviert wird.
- Wenn der Ölstand nicht zu niedrig ist, den Motor nicht starten. Wenden Sie sich an einen Briggs & Stratton-Vertragshändler, um das Problem beheben zu lassen.

## Empfehlungen zum Kraftstoff

**Kraftstoff muss diese Anforderungen erfüllen:**

- Sauberes, frisches, unverbleites Benzin.
- Mindestens 87 Oktan/87 AKI (91 RON). Bei Verwendung in großen Höhen siehe die Informationen weiter unten.
- Benzin mit einem Ethanol-Anteil bis zu 10% (Gasohol) ist akzeptabel.

**HINWEIS** Keine ungenehmigten Benzinsorten wie E15 und E85 verwenden. Kein Öl mit dem Benzin mischen. Den Motor nicht so modifizieren, dass er mit alternativen Kraftstoffen laufen kann. Bei Verwendung nicht zugelassener Kraftstoffe entstehen Schäden an Motorkomponenten, die von der Garantie nicht abgedeckt werden.

Zum Schutz der Kraftstoffanlage vor Kraftstoffrückständen sollte dem Kraftstoff ein Kraftstoffstabilisator beigemischt werden. Siehe **Lagerung**. Nicht jeder Kraftstoff ist gleich. Wenn es zu Start- oder Leistungsproblemen kommt, sollte der Kraftstoff anderswo gekauft oder die Marke gewechselt werden. Der Motor ist für den Betrieb mit Benzin zugelassen. Der Motor hat das Abgassystem EM (Engine Modifications).

### Einsatz in großen Höhen

In Höhen über 1500 m ist Benzin mit mindestens 85 Oktan/85 AKI (89 RON) akzeptabel.

Bei Vergasermotoren ist eine Einstellung für große Höhen erforderlich, damit die Leistung beibehalten wird. Wenn der Motor ohne diese Einstellung läuft, kommt es zu Leistungsabfall, erhöhtem Kraftstoffverbrauch und erhöhten Emissionen. Informationen zur Einstellung für große Höhen bekommen Sie bei einem Briggs & Stratton-Vertragshändler. Es wird nicht empfohlen, den Motor mit der Einstellung für große Höhen in Höhen unter 760 m einzusetzen.

Bei Motoren mit elektronischer Kraftstoffeinspritzung (EFI) ist keine Einstellung für große Höhen erforderlich.

## Einfüllen von Kraftstoff

Siehe Abbildung: 6



**WARNUNG**

**Kraftstoff und Kraftstoffdämpfe sind extrem leicht entflammbar und explosiv.**

**Feuer oder Explosionen können zu schweren Verbrennungen oder Tod führen.**

### Beim Nachfüllen von Kraftstoff

- Den Motor ausschalten und mindestens 2 Minuten lang abkühlen lassen, bevor der Tankdeckel abgenommen wird.
  - Den Tank im Freien oder an einem gut belüfteten Ort auffüllen.
  - Den Tank nicht überfüllen. Um dem Kraftstoff Platz zum Ausdehnen zu lassen, nicht über die Unterkante des Kraftstofftankstutzens hinaus füllen.
  - Den Kraftstoff von Funken, offenen Flammen, Zündflammen, Hitze oder anderen Zündquellen fern halten.
  - Kraftstoffleitungen, Tank, Tankdeckel und Anschlüsse regelmäßig auf Risse und Undichtigkeiten überprüfen. Schadhafte Teile austauschen.
  - Wenn Kraftstoff verschüttet wurde, warten, bis sich die Dämpfe verflüchtigt haben, bevor der Motor gestartet wird.
- Den Bereich um den Tankdeckel von Schmutz und Fremdkörpern reinigen. Den Tankdeckel abnehmen.
  - Den Kraftstofftank (A, Abb. 6) mit Kraftstoff füllen. Um dem Kraftstoff Platz zum Ausdehnen zu lassen, nicht über die Unterkante des Kraftstofftankstutzens (B) hinaus füllen.
  - Den Tankdeckel wieder anbringen.

## Start und Stopp des Motors

Siehe Abbildung: 7, 8

### Starten des Motors



**WARNUNG**

**Durch schnellen Rückzug des Starterseils werden Hand und Arm schneller zum Motor gezogen, als das Seil losgelassen werden kann.**

**Es kann zu Knochenbrüchen, Quetschungen und Verstauchungen kommen.**

- Beim Start des Motors langsam am Starterseil ziehen, bis Widerstand spürbar wird. Dann schnell ziehen, um zu verhindern, dass das Seil zurückspringt.



**WARNUNG**

**Kraftstoff und Kraftstoffdämpfe sind extrem leicht entflammbar und explosiv.**

**Feuer oder Explosionen können zu schweren Verbrennungen oder Tod führen.**

### Beim Starten des Motors

- Darauf achten, dass Zündkerze, Schalldämpfer, Tankdeckel und Luftfilter (falls vorhanden) an ihrem Platz und sicher befestigt sind.
- Den Motor nicht anlassen, wenn die Zündkerze entfernt wurde.
- Wenn der Motor überfettet ist, den Choke (falls vorhanden) auf OFFENE/BETRIEBS-Position und den Gashebel (falls vorhanden) auf SCHNELLE Position stellen und den Motor anlassen, bis er anspringt.



**WARNUNG**

**GIFTGASGEFAHR.** Motorabgase enthalten Kohlenmonoxid, ein giftiges Gas, das einen Menschen innerhalb weniger Minuten töten kann. Es ist unsichtbar, geruchlos und geschmacklos. Auch wenn Sie Abgase nicht riechen, können Sie trotzdem Kohlenmonoxid ausgesetzt sein. Wenn Sie merken, dass Ihnen während der Verwendung dieses Produktes schlecht, schwindelig oder flau wird, schalten Sie das Gerät **SOFORT** aus und gehen Sie an die frische Luft! Suchen Sie einen Arzt auf! Sie könnten eine Kohlenmonoxidvergiftung haben.

- Dieses Produkt darf NUR im Freien in angemessener Entfernung von Fenstern, Türen und Lüftungsöffnungen eingesetzt werden, damit sich Kohlenmonoxid nicht ansammeln und möglicherweise in Räume eindringen kann, in denen sich Menschen aufhalten.
- Installieren Sie batteriebetriebene Kohlenmonoxid-Warnmelder oder netzbetriebene Warnmelder mit Batterie-Notstromversorgung entsprechend den Herstelleranweisungen. Rauchmelder reagieren nicht auf Kohlenmonoxid.
- Dieses Gerät darf NICHT in Wohnungen, Garagen, Kellern, Zwischenräumen, Schuppen oder anderen teilweise geschlossenen Räumen laufen, selbst wenn Ventilatoren oder offene Fenster zur Belüftung benutzt werden. Kohlenmonoxid kann sich schnell in diesen Räumen ansammeln und dort stundenlang bleiben, auch nachdem das Gerät ausgeschaltet wurde.
- Dieses Produkt muss IMMER in Windrichtung aufgestellt und der Motorauspuff von Räumen weggerichtet werden, in denen sich Menschen aufhalten.

**HINWEIS** Dieser Motor wird von Briggs & Stratton ohne Öl geliefert. Vor Start des Motors muss entsprechend den Anweisungen in dieser Anleitung Öl nachgefüllt werden. Wenn der Motor ohne Öl gestartet wird, wird er so beschädigt, dass er nicht mehr repariert werden kann. Dieser Schaden wird nicht von der Garantie abgedeckt.

**Hinweis:** Das Gerät ist eventuell mit einer Fernbedienung ausgestattet. Zu Position und Betätigung der Fernbedienung siehe die Geräteanleitung.

- Den Motorölstand kontrollieren. Siehe Abschnitt **Ölstandskontrolle**.
- Darauf achten, dass die Bedienelemente für den Geräteantrieb (falls vorhanden) ausgerastet sind.
- Den Kraftstoffhahn (A, Abb. 7), auf offene Position stellen.
- Den Gashebel (C, Abb. 7), falls vorhanden, auf schnelle Position stellen. Den Motor in schneller Position laufen lassen.
- Den Chokehebel (B, Abb. 7) auf Choke-Position stellen.

**Hinweis:** Die Verwendung des Chokes ist gewöhnlich beim Neustart eines warmen Motors nicht notwendig.

- Den Stoppschalter (D, Abb. 7), falls vorhanden, auf eingeschaltete Position stellen.

7. **Rücklaufstarter, falls vorhanden:** Den Starterseilgriff (E, Abb. 7) sicher festhalten. Langsam am Starterseilgriff ziehen, bis Widerstand spürbar wird. Dann kräftig ziehen.



#### WARNUNG

Durch schnellen Rückzug des Starterseils werden Hand und Arm schneller zum Motor gezogen, als das Seil losgelassen werden kann. Es kann zu Knochenbrüchen, Quetschungen und Verstauchungen kommen. Beim Start des Motors langsam am Starterseil ziehen, bis Widerstand spürbar wird. Dann schnell ziehen, um zu verhindern, dass das Seil zurückspringt.

8. **Elektrischer Anlasser, falls vorhanden, mit Sicherheitsschlüssel (F):** Den Sicherheitsschlüssel (F, Abb. 7) hineindrücken. Sofort den Startschalter (G) betätigen. Den Startschalter loslassen, sobald der Motor startet.
9. **Elektrischer Anlasser, falls vorhanden, mit selbstbewegendem Sicherheitsschlüssel (H):** Den Schlüsselschalter (H, Abb. 8) auf Position Start drehen. Den Schlüsselschalter loslassen, sobald der Motor startet.

**HINWEIS** Um die Lebensdauer des Anlassers zu verlängern, den Anlasser jeweils nur kurz betätigen (maximal fünf Sekunden). Zwischen den Betätigungen jeweils eine Minute warten.

10. Wenn sich der Motor aufwärmt, den Chokehebel (B, Abb. 7) auf Betriebs-Position stellen.

**Hinweis:** Wenn der Motor nach mehreren Versuchen nicht anspricht, gehen Sie zu **BRIGGSandSTRATTON.com**, wenden Sie sich an den nächsten Händler oder rufen Sie Tel. 1-800-233-3723 an (in den USA).

## Stoppen des Motors



#### WARNUNG

**Kraftstoff und Kraftstoffdämpfe sind extrem leicht entflammbar und explosiv. Feuer oder Explosionen können zu schweren Verbrennungen oder Tod führen.**

- Zum Stoppen des Motors nicht den Choke benutzen.
1. **Gashebel, falls vorhanden:** Den Gashebel (C, Abb. 7) auf langsame Position und dann auf Stopp-Position stellen.
- Stoppeschalter, falls vorhanden:** Den Stoppschalter (D, Abb. 7) auf Stopp-Position stellen.
- Sicherheitsschlüssel, falls vorhanden:** Den Sicherheitsschlüssel (F, Abb. 7) abziehen und an einem sicheren Ort für Kinder unzugänglich aufbewahren.
- Schlüsselschalter, falls vorhanden:** Den Schlüsselschalter (H, Abb. 8) auf Position aus stellen. Den Schlüssel abziehen und an einem sicheren Ort für Kinder unzugänglich aufbewahren.
2. Sobald der Motor aus ist, den Kraftstoffhahn (A, Abb. 7) auf geschlossene Position stellen.

## Wartung

**HINWEIS** Wenn der Motor während der Wartung gekippt wird, muss der Kraftstofftank leer sein und die Seite mit der Zündkerze muss nach oben zeigen. Wenn der Kraftstofftank nicht leer ist und wenn der Motor in eine andere Richtung gekippt wird, kann er eventuell später schwer zu starten sein, weil Öl oder Kraftstoff den Luftfilter und/oder die Zündkerze verschmutzt haben.



#### WARNUNG

Bei Wartungsarbeiten, bei denen das Gerät gekippt werden muss, muss der Kraftstofftank leer sein, weil sonst Kraftstoff auslaufen und Feuer oder Explosionen verursachen kann.

Wir empfehlen, dass Sie sich für alle Wartungsarbeiten am Motor und an Motorteilen an einen Briggs & Stratton-Vertragshändler wenden.

**HINWEIS** Zum ordnungsgemäßen Betrieb müssen alle zum Bau dieses Motors verwendeten Komponenten an ihrem Platz bleiben.



#### WARNUNG

**Funken können Feuer oder Stromschläge verursachen.**

**Ungewollter Start kann schwere Verletzungen verursachen.**

#### Feuergefahr

#### Vor Einstellungen oder Reparaturen:

- Das Zündkabel abziehen und von der Zündkerze fern halten.
- Die Batterie von der negativen Klemme lösen (nur Motoren mit Elektrostart).
- Die richtigen Werkzeuge verwenden.
- Nicht an Reglerfeder, Gestängen oder anderen Teilen herumbasteln, um die Drehzahl zu erhöhen.
- Ersatzteile müssen den Originalteilen entsprechen und in derselben Position angebracht werden. Andere Ersatzteile können möglicherweise nicht richtig funktionieren, das Gerät beschädigen und zu Verletzungen führen.
- Nicht mit einem Hammer oder anderen harten Gegenstand gegen das Schwungrad schlagen, weil es sonst später während des Betriebs auseinander platzen könnte.

#### Bei der Zündfunkenkontrolle:

- Einen zugelassenen Zündkerzenprüfer verwenden.
- Die Zündung nicht bei entfernter Zündkerze überprüfen.

## Erklärung zur Emissionskontrolle

**Wartung, Austausch oder Reparatur von Teilen des Abgassystems können von jeder Motorreparaturwerkstatt oder Person durchgeführt werden.** Um allerdings gebührenfreie Arbeiten am Abgassystem zu erhalten, müssen derartige Arbeiten von einem Vertragshändler durchgeführt werden. Siehe die Erklärungen zur Emissionskontrolle.

## Wartungsplan

<b>Nach den ersten 5 Stunden</b>
<ul style="list-style-type: none"> <li>• Öl wechseln</li> </ul>
<b>Alle 8 Stunden oder täglich</b>
<ul style="list-style-type: none"> <li>• Motorölstand prüfen</li> <li>• Bereich um Schalldämpfer und Bedienungselemente reinigen</li> <li>• Lufteinlassgitter reinigen</li> </ul>
<b>Alle 25 Stunden oder jährlich</b>
<ul style="list-style-type: none"> <li>• Luftfilter reinigen <sup>1</sup></li> <li>• Vorfilter (falls vorhanden) reinigen <sup>1</sup></li> </ul>
<b>Alle 50 Stunden oder jährlich</b>
<ul style="list-style-type: none"> <li>• Motorölwechsel</li> <li>• Auspuffanlage warten</li> </ul>
<b>Alle 100 Stunden</b>
<ul style="list-style-type: none"> <li>• Getriebeöl wechseln (falls vorhanden)</li> </ul>
<b>Jährlich</b>
<ul style="list-style-type: none"> <li>• Zündkerze austauschen</li> <li>• Luftfilter austauschen</li> <li>• Vorfilter austauschen (falls vorhanden)</li> <li>• Kraftstofffilter austauschen (falls vorhanden)</li> <li>• Kraftstoffanlage warten</li> <li>• Kühlsystem warten <sup>1</sup></li> <li>• Ventilspiel kontrollieren <sup>2</sup></li> </ul>

<sup>1</sup> Bei hohem Staubaufkommen oder Fremdkörpern in der Luft häufiger reinigen.

<sup>2</sup> Nur erforderlich, wenn Leistungsprobleme festgestellt werden.

## Vergaser und Motordrehzahl

Es dürfen keine Einstellungen am Vergaser oder der Motordrehzahl vorgenommen werden. Der Vergaser wurde ab Werk für effizienten Betrieb unter den meisten Einsatzbedingungen eingestellt. Nicht an Reglerfeder, Gestänge oder anderen Teilen manipulieren, um die Drehzahl zu erhöhen. Falls Einstellungen nötig sind, wenden Sie sich bitte an einen Briggs & Stratton-Vertragshändler.

**HINWEIS** Der Gerätehersteller gibt die Höchstdrehzahl für den am Gerät installierten Motor an. Diese Drehzahl **darf nicht überschritten** werden. Falls Sie nicht sicher sind, wie hoch die maximale Drehzahl für das Gerät ist oder welche Drehzahl ab Werk eingestellt wurde, wenden Sie sich bitte an einen Briggs & Stratton-Vertragshändler. Für sicheren und einwandfreien Betrieb des Geräts darf die Motordrehzahl nur von einem qualifizierten Wartungstechniker eingestellt werden.

## Wartung der Zündkerze

Siehe Abbildung: 9

Den Elektrodenabstand (A, Abb. 9) mit einer Drahtlehre (B) kontrollieren. Bei Bedarf den Elektrodenabstand nachstellen. Die Zündkerze einsetzen und mit dem empfohlenen Anzugswert festziehen. Zu Einstellungen des Elektrodenabstands und Anzugswerten siehe den Abschnitt **Technische Daten**.

**Hinweis:** In einigen Ländern sind Widerstandszündkerzen zur Unterdrückung von Zündsignalen vorgeschrieben. Wenn dieser Motor ursprünglich mit einer Widerstandszündkerze ausgestattet war, muss zum Austausch derselbe Zündkerzentyp verwendet werden.

## Wartung der Auspuffanlage



**WARNUNG**

**Laufende Motoren erzeugen Wärme. Teile des Motors, besonders der Schalldämpfer, können sehr heiß werden.**

**Bei Berührung kann es zu schweren Verbrennungen kommen.**

**Brennbare Fremdkörper wie Laub, Gras usw. können sich entzünden.**

- Schalldämpfer, Zylinder und Kühlrippen abkühlen lassen, bevor sie berührt werden.
- Fremdkörperansammlungen vom Schalldämpferbereich und Zylinderbereich entfernen.
- Der Einsatz des Motors auf Wald-, Busch- oder Grasland verstößt gegen das kalifornische Gesetz (public resource code, section 4442), wenn die Auspuffanlage nicht mit einem vorgeschriebenen betriebsfähigen Funkenfänger ausgestattet ist. In anderen Bundesstaaten können ähnliche Gesetze gelten. Einen passenden Funkenfänger für die an diesem Motor installierte Auspuffanlage finden Sie beim Gerätehersteller oder Händler.

Fremdkörperansammlungen vom Schalldämpfer- und Zylinderbereich entfernen. Den Schalldämpfer auf Risse, Korrosion oder andere Beschädigungen prüfen. Den Funkenfänger, falls vorhanden, entfernen und auf Beschädigungen oder Kohlenstoffablagerungen prüfen. Falls Schäden gefunden werden, müssen vor der Inbetriebnahme entsprechende Ersatzteile installiert werden.



**WARNUNG**

Ersatzteile müssen den Originalteilen entsprechen und in derselben Position angebracht werden. Andere Ersatzteile können möglicherweise nicht richtig funktionieren, das Gerät beschädigen und zu Verletzungen führen.

## Motorölwechsel

Siehe Abbildung: 10, 11, 12

Altöl ist Sondermüll, der ordnungsgemäß entsorgt werden muss. Es gehört nicht in den Hausmüll. Informationen zur Entsorgung von Altöl erhalten Sie bei Behörden, Werkstätten oder Fachhändlern.

### Ölablass

1. Bei abgestelltem aber noch warmem Motor das Zündkerzenkabel (D, Abb. 10) abziehen und von der Zündkerze (E) fern halten.
2. Die Ölablassschraube (F, Abb. 11) entfernen. Das Öl in einen zugelassenen Behälter ablassen.

**Hinweis:** Jede der Ölablassschrauben (G, Abb. 11) kann im Motor angebracht werden.

3. Nachdem das Öl abgelassen worden ist, die Ölablassschraube (F, Abb. 11) einsetzen und festziehen.

### Nachfüllen von Öl

- Darauf achten, dass der Motor waagrecht steht.

- Schmutz vom Öleinfüllbereich entfernen.
- Zum Ölfassungsvermögen siehe den Abschnitt **Technische Daten**.

### Öleinfülldeckel, falls vorhanden

1. Den Öleinfülldeckel (H, Abb. 11) entfernen.
2. Langsam Öl in die Motoröleinfüllöffnung (C, Abb. 11) gießen. Bis zum Überlaufpunkt gießen.
3. Die Öleinfüllschraube (H, Abb. 11) wieder einsetzen und festziehen.
4. Das Zündkerzenkabel (D, Abb. 10) an der Zündkerze (E) anschließen.

### Kurzer Ölmesstab, falls vorhanden

1. Den Ölmesstab (A, Abb. 11) herausnehmen und mit einem sauberen Tuch abwischen.
2. Langsam Öl in die Motoröleinfüllöffnung (C, Abb. 11) gießen. Bis zum Überlaufpunkt gießen.
3. Den Ölmesstab (A, Abb. 11) einsetzen. **Nicht drehen oder festziehen.** Den Ölmesstab herausziehen und den Ölstand kontrollieren. Bei korrektem Ölstand steht das Öl oben an der Voll-Marke (B) am Ölmesstab.
4. Den Ölmesstab (A, Abb. 11) wieder einsetzen und festziehen.
5. Das Zündkerzenkabel (D, Abb. 10) an der Zündkerze (E) anschließen.

### Verlängerter Ölmesstab, falls vorhanden

1. Den Ölmesstab (A, Abb. 12) herausnehmen und mit einem sauberen Tuch abwischen.
2. Langsam Öl in die Motoröleinfüllöffnung (C, Abb. 12) gießen. **Nicht überfüllen.** Nach dem Einfüllen des Öls eine (1) Minute warten und dann den Ölstand erneut kontrollieren.
3. Den Ölmesstab (A, Abb. 12) einsetzen und festziehen.
4. Den Ölmesstab herausziehen und den Ölstand kontrollieren. Bei korrektem Ölstand steht das Öl oben an der Voll-Marke (B, Abb. 12) am Ölmesstab.
5. Den Ölmesstab (A, Abb. 12) wieder einsetzen und festziehen.
6. Das Zündkerzenkabel (D, Abb. 10) an der Zündkerze (E) anschließen.

## Getriebeölwechsel

Siehe Abbildung: 13, 14

### 6:1 Untersetzungsgetriebe (Abb. 13)

Wenn der Motor mit einem 6:1 Untersetzungsgetriebe ausgestattet ist, muss dieses wie folgt gewartet werden:

1. Die Öleinfüllschraube (A, Abb. 13) und die Ölstandsschraube (B) entfernen.
2. Die Ölablassschraube (C, Abb. 13) entfernen und das Öl in einen geeigneten Behälter ablassen.
3. Die Ölablassschraube (C, Abb. 13) wieder einsetzen und festziehen.
4. Zum Nachfüllen langsam Getriebeöl (siehe Abschnitt **Technische Daten**) in die Öleinfüllöffnung (D, Abb. 13) gießen. Solange gießen, bis das Öl aus der Ölstandsöffnung (E) herausläuft.
5. Die Ölstandsschraube (B, Abb. 13) wieder einsetzen und festziehen.
6. Die Öleinfüllschraube (A, Abb. 13) wieder einsetzen und festziehen.

**Hinweis:** Die Öleinfüllschraube (A, Abb. 13) hat eine Entlüftungsöffnung (F) und muss wie gezeigt oben auf der Getriebeabdeckung angebracht werden.

### 2:1 Untersetzungsgetriebe (Abb. 14)

Beim 2:1 Untersetzungsgetriebe (G, Abb. 14) ist kein Ölwechsel erforderlich.

## Luftfilterwartung

Siehe Abbildung: 15, 16, 17



**WARNUNG**

**Kraftstoff und Kraftstoffdämpfe sind extrem leicht entflammbar und explosiv.**

**Feuer oder Explosionen können zu schweren Verbrennungen oder Tod führen.**

- Niemals den Motor mit abgenommenem Luftfilter (falls vorhanden) oder Filtereinsatz (falls vorhanden) starten oder laufen lassen.

**HINWEIS** Zur Reinigung des Filters keine Druckluft und keine Lösungsmittel verwenden. Druckluft kann den Filter beschädigen und Lösungsmittel zersetzen ihn.

Siehe den **Wartungsplan** für Wartungsanforderungen.

An den unterschiedlichen Modellen wird entweder ein Schaumstoff- oder ein Papierfilter verwendet. Einige Modelle sind auch mit einem Vorfilter ausgestattet, der ausgewaschen und wiederverwendet werden kann. Vergleichen Sie die Abbildung in dieser Anleitung mit dem an Ihrem Motor installierten Filtertyp und gehen Sie bei der Wartung folgendermaßen vor.

### Papier-Luftfilter

1. Das/die Befestigungselement(e) (A, Abb. 15, 16) lösen.
2. Die Abdeckung (B, Abb. 15, 16) abnehmen.
3. Den Vorfilter (C, Abb. 15, 16), falls vorhanden, sowie den Filter (D) abnehmen.
4. Mit dem Filter (D, Abb. 15, 16) leicht gegen eine harte Oberfläche klopfen, um Ablagerungen zu entfernen. Wenn der Filter sehr schmutzig ist, muss er ausgetauscht werden.
5. Den Vorfilter (C, Abb. 15, 16), falls vorhanden, in flüssigem Reinigungsmittel und Wasser waschen. Den Vorfilter gründlich an der Luft trocknen lassen. **Den Vorfilter nicht ölen.**
6. Den trockenen Vorfilter (C, Abb. 15, 16), falls vorhanden, so am Filter (D) anbringen, dass die Lippe (G) des Vorfilters unten an den Falten des Filtereinsatzes liegt.
7. Den Filter (D, Abb. 15, 16) anbringen.
8. Bei Modellen, die mit dem in Abb. 15 gezeigtem Luftfilter ausgestattet sind, die Deckellaschen (E) in die Schlitze (F) einführen.
9. Die Abdeckung (B, Abb. 15, 16) anbringen und mit dem/den Befestigungselement(en) (A) sichern.

### Papier-Luftfilter

1. Das/die Befestigungselement(e) (A, Abb. 17) lösen.
2. Die Abdeckung (B, Abb. 17) abnehmen.
3. Den Vorfilter (C, Abb. 17), falls vorhanden, und den Filter (D) abnehmen.
4. Mit dem Filter (D, Abb. 17) leicht gegen eine harte Oberfläche klopfen, um Ablagerungen zu entfernen. Wenn der Filter sehr schmutzig ist, muss er ausgetauscht werden.
5. Den Vorfilter (C, Abb. 17), falls vorhanden, vom Filter (D) abnehmen.
6. Den Vorfilter (C, Abb. 17), falls vorhanden, in flüssigem Reinigungsmittel und Wasser waschen. Den Vorfilter gründlich an der Luft trocknen lassen. **Den Vorfilter nicht ölen.**
7. Den trockenen Vorfilter (C, Abb. 17), falls vorhanden, am Filter (D) anbringen.
8. Den Filter (D, Abb. 17) und den Vorfilter (C), falls vorhanden, an der Platte (E) und am Stehbolzen (F) anbringen. Darauf achten, dass der Filter sicher an der Platte sitzt.
9. Die Luftfilterabdeckung (B, Abb. 17) anbringen und mit dem/den Befestigungselement(en) (A) sichern. Darauf achten, dass das/die Befestigungselement(e) fest sind.

## Wartung der Kraftstoffanlage

Siehe Abbildung: 18, 19



**Kraftstoff und Kraftstoffdämpfe sind extrem leicht entflammbar und explosiv. Feuer oder Explosionen können zu schweren Verbrennungen oder Tod führen.**

- Den Kraftstoff von Funken, offenen Flammen, Zündflammen, Hitze oder anderen Zündquellen fern halten.
- Kraftstoffleitungen, Tank, Tankdeckel und Anschlüsse regelmäßig auf Risse und Undichtigkeiten überprüfen. Schadhafte Teile austauschen.
- Vor Reinigung oder Austausch des Kraftstofffilters den Kraftstofftank leerlaufen lassen oder den Kraftstoffhahn schließen.
- Wenn Kraftstoff verschüttet wurde, warten, bis sich die Dämpfe verflüchtigt haben, bevor der Motor gestartet wird.
- Ersatzteile müssen den Originalteilen entsprechen und in derselben Position angebracht werden.

### Kraftstofffilter, falls vorhanden

1. Vor Reinigung oder Austausch des Kraftstofffilters (A, Abb. 18) den Kraftstofftank leerlaufen lassen oder den Kraftstoffhahn schließen. Andernfalls kann Kraftstoff auslaufen und Feuer oder Explosionen verursachen.
2. Die Laschen (B, Abb. 18) an den Klemmen (C) mit einer Zange zusammendrücken und dann die Klemmen vom Kraftstofffilter (A) wegziehen. Die Kraftstoffleitungen (D) drehen und vom Kraftstofffilter abziehen.
3. Die Kraftstoffleitungen (D, Abb. 18) auf Risse und Undichtigkeiten untersuchen. Schadhafte Teile austauschen.
4. Den Kraftstofffilter (A, Abb. 18) durch einen Originalgerät-Austauschfilter ersetzen.
5. Die Kraftstoffleitungen (D, Abb. 18) wie gezeigt mit Klemmen (C) sichern.

### Kraftstoffsieb, falls vorhanden

1. Den Tankdeckel (A, Abb. 19) abnehmen.
2. Das Kraftstoffsieb (B, Abb. 19) herausnehmen.
3. Wenn das Kraftstoffsieb schmutzig ist, muss es gereinigt oder ausgetauscht werden. Wenn das Kraftstoffsieb ausgetauscht wird, ist darauf zu achten, dass ein Originalgerät-Austauschsieb verwendet wird.

## Wartung des Kühlsystems



**Laufende Motoren erzeugen Wärme. Teile des Motors, besonders der Schalldämpfer, können sehr heiß werden.**

**Bei Berührung kann es zu schweren Verbrennungen kommen.**

**Brennbare Fremdkörper wie Laub, Gras usw. können sich entzünden.**

- Schalldämpfer, Zylinder und Kühlrippen abkühlen lassen, bevor sie berührt werden.
- Fremdkörperansammlungen vom Schalldämpferbereich und Zylinderbereich entfernen.

**HINWEIS** Zur Reinigung des Motors kein Wasser verwenden. Wasser könnte die Kraftstoffanlage verunreinigen. Den Motor mit einer Bürste oder einem trockenen Lappen reinigen.

Dieser Motor ist luftgekühlt. Schmutz oder Fremdkörper können die Luftströmung einschränken und Überhitzung des Motors und in der Folge Leistungsverlust und verkürzte Lebensdauer des Motors verursachen.

1. Fremdkörper mit einer Bürste oder einem trockenen Lappen vom Lufteinlassgitter beseitigen.
2. Gestänge, Federn und Bedienungselemente sauber halten.
3. Den Bereich um und hinter dem Schalldämpfer, falls vorhanden, von brennbaren Fremdkörpern frei halten.
4. Darauf achten, dass die Ölkühlrippen frei von Schmutz und Fremdkörpern sind.

Nach einer gewissen Zeit können sich Fremdkörper in den Zylinderkühlrippen ansammeln und Motorüberhitzung verursachen. Um diese Fremdkörper zu beseitigen, muss der Motor teilweise auseinander gebaut werden. Lassen Sie das Luftkühlungssystem entsprechend den Empfehlungen im **Wartungsplan** von einem Briggs & Stratton-Vertragshändler kontrollieren und reinigen.

## Lagerung



**Brennstoff und seine Dämpfe sind hochentzündlich und explosiv.**

**Feuer oder Explosionen kann schwere Verbrennungen oder Tod verursachen.**

**Bei der Lagerung von Brennstoff oder Geräten mit Brennstoff im Tank**

- Nicht in der Nähe von Öfen, Herdplatten, Wasserboilern oder anderen Geräten, die Kontrollleuchten oder andere Zündquellen haben, lagern, weil sie Brennstoffdämpfe entzünden können.

### Kraftstoffanlage

Siehe Abbildung: 20

Den Motor in horizontaler Position abstellen (normale Betriebsposition). Den Kraftstofftank (A, Abbildung 20) mit Kraftstoff befüllen. Füllen Sie den Kraftstoff nicht über die Markierung am Tankstutzen (B) auf, damit sich der Kraftstoff ausdehnen kann.



Kraftstoff kann bei der Lagerung von mehr als 30 Tagen altern. Abgestandener Kraftstoff führt dazu, dass sich Säure und Gummiablagerungen im Kraftstoffsystem oder auf wichtigen Teilen des Vergasers bilden. Damit der Kraftstoff haltbar bleibt, verwenden Sie **Briggs & Stratton Advanced-Formula-Kraftstoffstabilisator** Überall dort erhältlich, wo Originalteile von Briggs & Stratton verkauft werden.

Es ist nicht nötig, den Kraftstoff aus dem Motor abzulassen, wenn ein Kraftstoffstabilisator gemäß den Anweisungen hinzugefügt wird. Lassen Sie den Motor vor der Einlagerung zwei (2) Minuten lang laufen, damit der Stabilisator durch das Kraftstoffsystem zirkuliert.

Falls der Kraftstoff im Motor nicht mit einem Kraftstoffstabilisator behandelt wurde, muss er in einen zugelassenen Behälter abgelassen werden. Lassen Sie den Motor so lange laufen, bis er aufgrund von Kraftstoffmangel stoppt. Um die Frische aufrecht zu erhalten, wird die Verwendung eines Kraftstoffstabilisators im Lagerungsbehälter empfohlen.

## Motoröl

Das Motoröl bei noch warmem Motor wechseln. Siehe Abschnitt **Motorölwechsel**.

# Fehlersuche und -behebung

Wenden Sie sich für Unterstützung an den nächsten Händler, gehen Sie zu **BRIGGSandSTRATTON.com** oder rufen Sie die Nummer **1-800-233-3723** an (in den USA).

## Technische Daten

Modell: 120000	
Hubraum	12.48 ci (205 cc)
Bohrung	2.688 in (65,28 mm)
Hub	2.200 in (55,88 mm)
Ölmenge	18 - 20 oz (,54 - ,59 L)
Ölsorte für Untersetzungsgetriebe	80W-90
Öfassungsvermögen für Untersetzungsgetriebe	4 oz (0,12 L)
Elektrodenabstand	.030 in (,76 mm)
Zündkerzen-Anzugswert	180 lb-in (20 Nm)
Anker-Luftspalt	.010 - .014 in (,25 - ,36 mm)
Einlassventilspiel	.004 - .006 in (,10 - ,15 mm)
Auslassventilspiel	.009 - .011 in (,23 - ,28 mm)

Modell: 150000	
Hubraum	15.24 ci (250 cc)
Bohrung	2.970 in (75,44 mm)
Hub	2.200 in (55,88 mm)
Ölmenge	18 - 20 oz (,54 - ,59 L)
Ölsorte für Untersetzungsgetriebe	80W-90
Öfassungsvermögen für Untersetzungsgetriebe	4 oz (0,12 L)
Elektrodenabstand	.030 in (,76 mm)
Zündkerzen-Anzugswert	180 lb-in (20 Nm)
Anker-Luftspalt	.010 - .014 in (,25 - ,36 mm)
Einlassventilspiel	.004 - .006 in (,10 - ,15 mm)
Auslassventilspiel	.009 - .011 in (,23 - ,28 mm)

Modell: 200000	
Hubraum	15.63 ci (305 cc)
Bohrung	3.120 in (79,24 mm)
Hub	2.438 in (61,93 mm)
Ölmenge	26 - 28 oz (,77 - ,83 L)
Ölsorte für Untersetzungsgetriebe	SAE 30
Öfassungsvermögen für Untersetzungsgetriebe	12 oz (,35 L)
Elektrodenabstand	.030 in (,76 mm)

Modell: 200000	
Zündkerzen-Anzugswert	180 lb-in (20 Nm)
Anker-Luftspalt	.008 - .012 in (,20 - ,30 mm)
Einlassventilspiel	.004 - .006 in (,10 - ,15 mm)
Auslassventilspiel	.004 - .006 in (,10 - ,15 mm)

Modell: 210000	
Hubraum	20.85 ci (342 cc)
Bohrung	3.300 in (83,81 mm)
Hub	2.438 in (61,93 mm)
Ölmenge	26 - 28 oz (,77 - ,83 L)
Ölsorte für Untersetzungsgetriebe	SAE 30
Öfassungsvermögen für Untersetzungsgetriebe	12 oz (,35 L)
Elektrodenabstand	.030 in (,76 mm)
Zündkerzen-Anzugswert	180 lb-in (20 Nm)
Anker-Luftspalt	.008 - .012 in (,20 - ,30 mm)
Einlassventilspiel	.004 - .006 in (,10 - ,15 mm)
Auslassventilspiel	.004 - .006 in (,10 - ,15 mm)

Die Motorleistung nimmt alle 300 m über Meeresniveau um jeweils 3,5 % und alle 5,6 °C oberhalb von 25 °C um jeweils 1 % ab. Der Motor läuft zufriedenstellend bei einem Winkel bis zu 15 °. Angaben zum sicheren Betrieb an Hängen finden Sie in der Bedienungsanleitung des vom Motor angetriebenen Geräts.

Ersatzteile – Modell: 120000, 150000, 200000, 210000	
Ersatzteil	Teilenummer
Flacher Luftfilter	491588, 5043
Flacher Luftfilter Vorfilter	493537, 5064
Ovaler Luftfilter (Modelle 120000, 150000)	697029, 5059
Ovaler Luftfilter Vorfilter (Modelle 120000, 150000)	273356
Ovaler Luftfilter (Modelle 200000, 210000)	695302
Ovaler Luftfilter Vorfilter (Modelle 200000, 210000)	695303
Kraftstofffilter	694485
Advanced-Formula-Kraftstoffstabilisator	100117, 100120
Widerstandszündkerze	491055
Langlebige Platin-Zündkerze	5066
Zündkerzenschlüssel	89838, 5023
Funkenprüfer	19368

Wir empfehlen, dass Sie sich für alle Wartungsarbeiten am Motor und an Motorteilen an einen Briggs & Stratton-Vertragshändler wenden.

**Nennleistungen:** Die Bruttonennleistung für die einzelnen Modelle mit gasbetriebenem Motor wird in Übereinstimmung mit SAE-Code (Society of Automotive Engineers) J1995 (Small Engine Power & Torque Rating Procedure) angegeben und gemäß SAE J1995 bewertet. Die Drehmomentwerte wurden für die Motoren, die auf dem Etikett mit „rpm“ versehen sind, bei 2600 U/min. und für alle anderen bei 3060 U/min. ermittelt, die PS-Werte bei 3600 U/min. Die Leistungskennlinien können auf [www.BRIGGSandSTRATTON.COM](http://www.BRIGGSandSTRATTON.COM) eingesehen werden. Die Nettoleistungswerte wurden mit montiertem Auspuff und Luftfilter gemessen, während die Bruttoleistungswerte ohne diese Anbauten ermittelt wurden. Die tatsächliche Bruttomotorleistung ist höher als die Nutzleistung des Motors und wird u. a. durch die Betriebsbedingungen und Abweichungen von Motor zu Motor bestimmt. In Anbetracht der breiten Vielfalt an Produkten, in die Motoren eingebaut werden, kann es sein, dass der Motor nicht die bewertete Bruttoleistung entwickelt, wenn er in einem bestimmten motorgetriebenen Gerät verwendet wird. Dieser Unterschied lässt sich auf eine Vielzahl von Faktoren zurückführen, einschließlich u. a. Vielfalt der Motorkomponenten (Luftreiniger, Auspuff, Ladung, Kühlung, Vergaser, Kraftstoffpumpe usw.), Einschränkungen bezüglich der Anwendung, Betriebsbedingungen (Temperatur, Luftfeuchtigkeit, Einsatzhöhe) und Abweichungen von Motor zu Motor. Aufgrund von Herstellungs- und Kapazitätsengpässen kann Briggs & Stratton für diesen Motor ersatzweise einen Motor mit höherer Nennleistung liefern.

# Garantie

## Briggs & Stratton Motorgarantie

Gültig ab Januar 2017

### Beschränkte Garantie

Briggs & Stratton garantiert, dass während des unten angegebenen Garantiezeitraums jegliche Teile mit Werkstoff- oder Fertigungsmängeln oder beiden Mängeln kostenlos repariert oder ersetzt werden. Die beim Einschicken des Produkts zwecks Reparatur oder Austausch gemäß dieser Garantie entstehenden Transportkosten sind vom Käufer zu tragen. Diese Garantie ist für die Zeiträume und unter den unten genannten Bedingungen wirksam. Für Garantieleistungen finden Sie mit Hilfe unserer Händlersuchkarte unter [www.BRIGGSandSTRATTON.com](http://www.BRIGGSandSTRATTON.com) den nächstgelegenen Vertragshändler. Der Käufer muss den Vertragshändler kontaktieren und diesem das Produkt für die Inspektion und Tests zur Verfügung stellen.

**Es besteht keine andere ausdrückliche Garantie. Andere Garantien, einschließlich die Garantie der handelsüblichen Qualität und Eignung für einen bestimmten Zweck, sind auf den unten angegebenen Garantiezeitraum oder das gesetzlich zulässige Ausmaß beschränkt.** Die Haftbarkeit für Folge- oder Begleitschäden ist soweit ausgeschlossen, wie gesetzlich zulässig. In einigen Staaten ist die Dauer der implizierten Garantie bzw. die Ausnahme oder Beschränkung von Folge- oder Begleitschäden nicht zulässig, daher könnte die oben genannte Beschränkung oder Ausnahme eventuell nicht auf Sie zutreffen. Diese Garantieleistung verleiht Ihnen bestimmte Rechte neben denen Sie noch andere Rechte haben können, die von Land zu Land abweichen. <sup>4</sup>

### Standard-Garantiefristen 1, 2, 3

Marke / Produkttyp	Private Verwendung	Gewerblicher Einsatz
Vanguard™; Commercial Series	36 Monate	36 Monate
Motoren mit Dura-Bore™-Gusseisenlaufbuchse	24 Monate	12 Monate
Alle anderen Motoren	24 Monate	3 Monate

<sup>1</sup>Dies sind unsere Standard-Garantiefristen, neben denen noch andere Garantieabdeckungen vorhanden sein können, die während des Veröffentlichungszeitpunkts noch nicht festgelegt worden waren. Eine Auflistung der aktuellen Garantiefristen für unsere Motoren finden Sie unter [BRIGGSandSTRATTON.com](http://BRIGGSandSTRATTON.com) oder bei Ihrem Briggs & Stratton-Fachhändler.

<sup>2</sup> Es besteht keine Garantie auf Motoren in Geräten, die zur Erzeugung von Energie eingesetzt werden, die die Energie aus dem öffentlichen Stromnetz ersetzen soll, oder auf Notstrom-Generatoren, die für kommerzielle Zwecke verwendet werden. Motoren, die in Rennwettbewerben oder auf gewerblichen oder Mietrennbahnen eingesetzt werden, haben keine Garantie.

<sup>3</sup> An Notstrom-Generatoren installierte Vanguard-Motoren : 24 Monate bei privater Nutzung, keine Garantie bei gewerblicher Nutzung. An Nutzfahrzeugen installierte Vanguard-Motoren: 24 Monate bei privater Nutzung, 24 Monate bei gewerblicher Nutzung. Commercial Series mit Herstellungsdatum vor Juli 2017: 24 Monate bei privater Nutzung, 24 Monate bei gewerblicher Nutzung.

<sup>4</sup> In Australien – Unsere Waren werden mit Garantien ausgeliefert, die nicht vom australischen Verbrauchergesetz ausgeschlossen werden können. Bei erheblichen Fehlern haben Sie Anspruch auf Ersatz oder Erstattung sowie auf Schadensersatz bei weiteren angemessenen vorhersehbaren Verlusten oder Schäden. Darüber hinaus haben Sie Anspruch auf Reparatur oder Ersatz der Waren, falls diese nicht die zu erwartende Qualität aufweisen und der Defekt keinen erheblichen Fehler darstellt. Für Garantieleistungen finden Sie mit Hilfe unserer Händlersuchkarte auf [www.BRIGGSandSTRATTON.com](http://www.BRIGGSandSTRATTON.com) den nächstgelegenen Vertragshändler. Sie können sich jedoch auch telefonisch unter 1300 274 447, per E-Mail unter [salesenquires@briggsandstratton.com.au](mailto:salesenquires@briggsandstratton.com.au) oder schriftlich an Briggs & Stratton Australia Pty Ltd, 1 Moorebank Avenue, Moorebank, NSW, Australien, 2170 nach dem nächstgelegenen Vertragshändler erkundigen.

Die Garantiezeit beginnt mit dem Datum des Kaufs durch den ersten Einzelhandelskunden oder gewerblichen Endverbraucher. „Endverbraucher-Nutzung“ bedeutet die private Verwendung im eigenen Haushalt durch einen Einzelhandelskunden. „Gewerbliche Verwendung“ bedeutet alle anderen Verwendungszwecke, einschließlich für gewerbliche Zwecke, Zwecke zum Erzielen eines Einkommens oder für Maschinenverleih. Sobald ein Motor einmal gewerblich eingesetzt worden ist, wird er für die Zwecke dieser Gewährleistung auch weiterhin als Motor für den gewerblichen Einsatz angesehen.

**Bewahren Sie Ihren Kaufbeleg auf. Wenn Sie zu dem Zeitpunkt, an dem die Garantieleistung gefordert wird, keinen Beleg für das Datum des Erstkaufs vorlegen können, wird zur Bestimmung des Garantiezeitraums das Herstellungsdatum des Produkts verwendet. Die Produktregistrierung ist für den Erhalt von Garantieleistungen auf Produkte von Briggs & Stratton nicht erforderlich.**

### Zur Garantie

Diese Garantie deckt nur Material- und/oder Verarbeitungsschäden am Motor ab und nicht den Austausch oder die Rückerstattung für das Gerät, an dem der Motor installiert ist. Routinemäßige Wartungsarbeiten, Einstellungen oder normale Abnutzung sind nicht Gegenstand dieser Garantie. Die Garantie erlischt, wenn der Motor modifiziert oder die

Seriennummer des Motors beschädigt oder entfernt wurde. Die Garantie deckt keine Motorschäden oder Leistungsprobleme ab, die durch Folgendes hervorgerufen werden:

1. Die Verwendung von Teilen, die keine Briggs & Stratton-Originalteile sind;
2. Den Betrieb von Motoren mit zu wenig oder verschmutztem Öl oder einer falschen Schmierölsorte;
3. Die Verwendung von verschmutztem oder altem Kraftstoff, Benzin mit einem Ethanolanteil von über 10% oder alternativen Kraftstoffen wie Flüssiggas oder Erdgas bei Motoren, die von Briggs & Stratton nicht für den Betrieb mit solchen Kraftstoffen konzipiert/hergestellt wurden;
4. Schmutz, der infolge einer unzureichenden Luftfilterwartung oder eines falschen Wiederausammenbaus in den Motor gelangt;
5. Auftreffen eines Kreiselmäher-Schneidmessers auf einen Gegenstand, lose oder unsachgemäß installierte Messeradapter, Impeller oder andere, an die Kurbelwelle angekuppelte Vorrichtungen oder zu hohe Keilriemenspannung;
6. Verbundene Teile oder Baugruppen wie Kupplungen, Getriebe, Gerätesteuerungen usw., die nicht von Briggs & Stratton stammen;
7. Überhitzung infolge der Blockierung der Kühlrippen oder des Schwungradbereichs durch geschnittenes Gras, Schmutz, Fremdkörper oder Nagetiernester oder durch den Betrieb des Motors bei ungenügender Belüftung;
8. Zu starke Vibration durch Überdrehen, lose Motormontage, lose oder ungleichmäßige Schneidmesser oder Impeller oder ein unsachgemäßes Ankuppeln von Gerätekomponenten an die Kurbelwelle;
9. Missbrauch, Mängel bei der Routine-Wartung, dem Transport, der Handhabung oder der Lagerung des Geräts oder unsachgemäße Motorinstallation.

**Garantieleistungen werden ausschließlich von Briggs & Stratton-Vertragshändlern erbracht. Den nächsten Vertragshändler finden Sie auf unserer Händlersuchkarte auf [BRIGGSandSTRATTON.COM](http://BRIGGSandSTRATTON.COM) oder unter der Nummer 1-800-233-3723 (in den USA).**

80004537 (Rev. C)

Το παρόν εγχειρίδιο περιέχει πληροφορίες σχετικά με την ασφάλεια, ούτως ώστε να γνωρίζετε τους κινδύνους που σχετίζονται με τους κινητήρες και πώς μπορείτε να τους αποφύγετε. Περιέχει επίσης οδηγίες για τη σωστή χρήση και φροντίδα του κινητήρα. Η Briggs & Stratton Corporation δεν γνωρίζει απαραίτητα σε ποιο είδος εξοπλισμού πρόκειται να χρησιμοποιηθεί ο παρών κινητήρας και, για τον λόγο αυτό, είναι σημαντικό να διαβάσετε προσεκτικά και να κατανοήσετε τις οδηγίες λειτουργίας του εξοπλισμού. **Φυλάξτε αυτές τις οδηγίες για μελλοντική χρήση.**

**Σημείωση:** Τα μεγέθη και οι απεικονίσεις στο παρόν εγχειρίδιο παρέχονται μόνο για αναφορά και μπορεί να διαφέρουν από το δικό σας μοντέλο. Επικοινωνήστε με τον τοπικό σας αντιπρόσωπο εάν έχετε ερωτήσεις.

Για ανταλλακτικά ή τεχνική υποστήριξη, σημειώστε παρακάτω το μοντέλο, τον τύπο και τους κωδικούς του κινητήρα καθώς και την ημερομηνία αγοράς. Οι αριθμοί αυτοί βρίσκονται επάνω στον κινητήρα (ανατρέξτε στην ενότητα **Χαρακτηριστικά και Χειριστήρια**).


Ημερομηνία αγοράς	
Μοντέλο κινητήρα - Τύπος - Κωδικός	
Αριθμός σειράς κινητήρα	


Ανατρέξτε στον 2 διαστάσεων γραμμωτό κώδικα που υπάρχει σε ορισμένους κινητήρες. Όταν τον ζαρώσετε με συσκευή με ικανότητα ανάγνωσης 2 διαστάσεων, ο κωδικός θα σας μεταφέρει στον ιστότοπο όπου μπορείτε να αποκτήσετε πρόσβαση σε πληροφορίες υποστήριξης για αυτό το προϊόν. Ισχύουν χρεώσεις δεδομένων. Σε ορισμένες χώρες ενδέχεται να διατίθεται online υποστήριξη πληροφόρησης.





## Ασφάλεια Χειριστή

### Σύμβολο ειδοποίησης ασφαλείας και προειδοποιητικές λέξεις

Το σύμβολο ειδοποίησης ασφαλείας  παρέχει πληροφορίες σχετικά με τους κινδύνους που μπορούν να προκαλέσουν σωματικό τραυματισμό. Μαζί με το σύμβολο ειδοποίησης χρησιμοποιείται μια προειδοποιητική λέξη (ΚΙΝΔΥΝΟΣ, ΠΡΟΕΙΔΟΠΟΙΗΣΗ ή ΠΡΟΣΟΧΗ) η οποία υποδεικνύει την πιθανότητα και τη σοβαρότητα του πιθανού τραυματισμού. Επιπλέον, για τον χαρακτηρισμό του τύπου του κινδύνου μπορεί να χρησιμοποιείται κάποιο συναφές σύμβολο.

 Η ένδειξη **ΚΙΝΔΥΝΟΣ** δηλώνει κίνδυνο ο οποίος, εάν δεν αποφευχθεί, **θα προκαλέσει θάνατο ή σοβαρό τραυματισμό.**

 Η ένδειξη **ΠΡΟΕΙΔΟΠΟΙΗΣΗ** δηλώνει κίνδυνο ο οποίος, εάν δεν αποφευχθεί, **θα μπορούσε να προκαλέσει θάνατο ή σοβαρό τραυματισμό.**

 Η ένδειξη **ΠΡΟΣΟΧΗ** δηλώνει κίνδυνο ο οποίος, εάν δεν αποφευχθεί, **θα μπορούσε να προκαλέσει τραυματισμό μικρού ή μεσαίου βαθμού.**

Η ένδειξη **ΕΠΙΣΗΜΑΝΣΗ** δηλώνει μια κατάσταση η οποία **θα μπορούσε να προκαλέσει βλάβη του προϊόντος.**

### Σύμβολα κινδύνου και τι σημαίνουν

Σύμβολο	Σημασία	Σύμβολο	Σημασία
	Πληροφορίες ασφαλείας σχετικά με κινδύνους που μπορούν να προκαλέσουν τραυματισμό ατόμων.		Διαβάστε και κατανοήστε το εγχειρίδιο χειριστή πριν τη χρήση ή το σέρβις της μονάδας.
	Κίνδυνος πυρκαγιάς		Κίνδυνος έκρηξης

Σύμβολο	Σημασία	Σύμβολο	Σημασία
	Κίνδυνος ηλεκτροπληξίας		Κίνδυνος από τοξικές αναθυμιάσεις
	Κίνδυνος από καυτή επιφάνεια		Κίνδυνος από θόρυβο - Συνιστάται προστασία ακοής για παρατεταμένη χρήση.
	Κίνδυνος από εκτινασσόμενα αντικείμενα - Φοράτε προστασία ματιών.		Κίνδυνος έκρηξης
	Κίνδυνος κρυοπαγημάτων		Κίνδυνος ανάδρασης
	Κίνδυνος ακρωτηριασμού - κινούμενα μέρη		Χημικός κίνδυνος
	Κίνδυνος από θερμότητα		Διαβρωτικό

## Μηνύματα για θέματα ασφαλείας



### ΠΡΟΕΙΔΟΠΟΙΗΣΗ

Ορισμένα εξαρτήματα του προϊόντος και τα σχετικά παρελκόμενά του περιέχουν ουσίες που, σύμφωνα με έρευνες οι οποίες έχουν γίνει στην Πολιτεία της Καλιφόρνιας, είναι γνωστό ότι προκαλούν καρκίνο, εκ γενετής ανωμαλίες ή άλλες βλάβες στο αναπαραγωγικό σύστημα. Πρέπει να πλένετε τα χέρια σας μετά τον χειρισμό του μηχανήματος.



### ΠΡΟΕΙΔΟΠΟΙΗΣΗ

Τα καυσάκια από τον κινητήρα του προϊόντος περιέχουν χημικές ουσίες που, σύμφωνα με έρευνες οι οποίες έχουν γίνει στην Πολιτεία της Καλιφόρνιας, είναι γνωστό ότι προκαλούν καρκίνο, εκ γενετής ανωμαλίες ή άλλες βλάβες στο αναπαραγωγικό σύστημα.



### ΠΡΟΕΙΔΟΠΟΙΗΣΗ

Οι κινητήρες της Briggs & Stratton δεν έχουν σχεδιαστεί και δεν προορίζονται για μετάδοση κίνησης σε: αυτοκινητίδια αναψυχής (fun-karts, go-karts), παιδικά οχήματα, οχήματα αναψυχής, αθλητικά οχήματα παντός εδάφους (ATV), μοτοσικλέτες, αερόστρωμνα οχήματα (χόμπερκραφτ), αεροσκάφη ή αγωνιστικά οχήματα μη εγκεκριμένα από την Briggs & Stratton. Για πληροφορίες σχετικά με αγωνιστικά προϊόντα, επισκεφθείτε τη σελίδα [www.briggsracing.com](http://www.briggsracing.com). Για οχήματα ειδικών χρήσεων και τετράτροχα οχήματα παντός εδάφους side-by-side, καλέστε το κέντρο εφαρμογών κινητήρων της Briggs & Stratton στον αριθμό 1-866-927-3349. Η μη ενδεδειγμένη χρήση του κινητήρα μπορεί να προκαλέσει σοβαρό τραυματισμό ή θάνατο.



### ΠΡΟΕΙΔΟΠΟΙΗΣΗ



Το καύσιμο και οι αναθυμιάσεις του συνιστούν εξαιρετικά εύφλεκτες και εκρηκτικές ουσίες.

**Σε περίπτωση πυρκαγιάς ή έκρηξης υπάρχει κίνδυνος πρόκλησης σοβαρών εγκαυμάτων ή ακόμη και θανάτου.**

### Κατά την προσθήκη καυσίμου

- Σβήστε τον κινητήρα και αφήστε τον να κρυώσει τουλάχιστον 2 λεπτά προτού βγάλετε την τάπα του καυσίμου.
- Γεμίστε τη δεξαμενή καυσίμου σε εξωτερικό ή σε καλά εξαεριζόμενο χώρο.
- Μη γεμίζετε υπερβολικά τη δεξαμενή καυσίμων. Για να υπάρχει αρκετός χώρος όταν διασταλεί το καύσιμο, μην γεμίζετε τη δεξαμενή καυσίμου πάνω από τη βάση του λαιμού της.

- Το καύσιμο πρέπει να μένει μακριά από σπινθήρες, ανοιχτές φλόγες, φλόγες εναύσματος, πηγές θερμότητας και άλλες πηγές ανάφλεξης.
- Φροντίστε να ελέγχετε συχνά μήπως οι γραμμές, η δεξαμενή, η τάπα και οι σύνδεσμοι των σωλήνων του καυσίμου παρουσιάζουν ρωγμές ή διαρροή. Αν χρειαστεί, αντικαταστήστε όποιο εξάρτημα παρουσιάζει πρόβλημα.
- Αν χυθεί καύσιμο, περιμένετε να εξατμιστεί προτού θέσετε σε λειτουργία τον κινητήρα.

#### Κατά την εκκίνηση του κινητήρα

- Βεβαιωθείτε ότι έχουν τοποθετηθεί και στερεωθεί καλά στη θέση τους το μπουζί, ο σιγαστήρας εξάτμισης, η τάπα του ντεπόζιτου καυσίμου και το φίλτρο αέρα (εάν υπάρχει).
- Μη θέτετε σε λειτουργία τον κινητήρα αν έχετε βγάλει το μπουζί.
- Εάν ο κινητήρας μπουκώσει, θέστε το τσοκ (εάν υπάρχει) στη θέση OPEN/RUN, μετακινήστε το χειριστήριο γκαζιού (εάν υπάρχει) στη θέση FAST και τραβήξτε το σχοινί εκκίνησης έως ότου τεθεί σε λειτουργία ο κινητήρας.

#### Κατά τη λειτουργία του εξοπλισμού

- Μη δίνετε στον κινητήρα ή στον εξοπλισμό κλίση σε γωνία που προκαλεί έκχυση του καυσίμου.
- Μην κλείνετε τον αέρα στο καρμπυρατέρ για να σταματήσετε τον κινητήρα.
- Ποτέ μη θέτετε και μη διατηρείτε σε λειτουργία τον κινητήρα όταν έχει αφαιρεθεί το συγκρότημα του φίλτρου αέρα (εάν υπάρχει) ή το ίδιο το φίλτρο αέρα (εάν υπάρχει).

#### Κατά την αλλαγή του λαδιού

- Εάν αδειάζετε το λάδι από τον επάνω σωλήνα πλήρωσης λαδιού, το ντεπόζιτο καυσίμου πρέπει να είναι άδειο, διαφορετικά υπάρχει κίνδυνος διαρροής καυσίμου και πρόκλησης πυρκαγιάς ή έκρηξης.

#### Όταν πρέπει να γείρετε τη μονάδα για εργασίες συντήρησης

- Εάν πρέπει να γείρετε τη μονάδα για λόγους συντήρησης, το δοχείο καυσίμου, εάν είναι τοποθετημένο στον κινητήρα, πρέπει να είναι άδειο διότι, διαφορετικά, υπάρχει κίνδυνος διαρροής καυσίμου και πρόκλησης πυρκαγιάς ή έκρηξης.

#### Κατά τη μεταφορά του εξοπλισμού

- Μεταφέρετε τον εξοπλισμό με το ντεπόζιτο καυσίμου ΑΔΕΙΟ ή με τη βαλβίδα παροχής καυσίμου ΚΛΕΙΣΤΗ.

#### Για την αποθήκευση καυσίμου ή εξοπλισμού με καύσιμο στο ντεπόζιτο

- Αποθηκεύετε μακριά από φούρνους, θερμάστρες, θερμαντήρες νερού ή άλλες συσκευές που χρησιμοποιούν πιλοτική φλόγα ή άλλες πηγές ανάφλεξης, επειδή μπορούν να προκαλέσουν ανάφλεξη των αναθυμιάσεων καυσίμου.



#### ΠΡΟΕΙΔΟΠΟΙΗΣΗ

Η εκκίνηση του κινητήρα προκαλεί σπινθηρισμούς.

Με τον σπινθηρισμό υπάρχει κίνδυνος ανάφλεξης εύφλεκτων αερίων στον χώρο.

Στην περίπτωση αυτή υπάρχει κίνδυνος πρόκλησης έκρηξης και πυρκαγιάς.

- Εάν στην περιοχή υπάρχει διαρροή φυσικού αερίου ή υγραερίου, μη θέσετε σε λειτουργία τον κινητήρα.
- Μην χρησιμοποιείτε υγρά υποβοήθησης εκκίνησης που βρίσκονται υπό πίεση επειδή οι αναθυμιάσεις τους είναι εύφλεκτες.



#### ΠΡΟΕΙΔΟΠΟΙΗΣΗ

**ΚΙΝΔΥΝΟΣ ΔΗΛΗΤΗΡΙΩΔΟΥΣ ΑΕΡΙΟΥ.** Τα αέρια που εκπέμπει ο κινητήρας περιέχουν μονοξείδιο του άνθρακα, ένα δηλητηριώδες αέριο το οποίο μπορεί να επιφέρει τον θάνατο μέσα σε λίγα λεπτά. Είναι ΑΟΡΑΤΟ, ΑΟΣΜΟ και ΑΓΕΥΣΤΟ. Το γεγονός ότι δεν μυρίζετε τα καυσαέρια δεν αποκλείει την πιθανότητα έκθεσής σας σε μονοξείδιο του άνθρακα. Εάν νιώσετε άρρωστοι, ζαλάδα, ή αδυναμία χρησιμοποιώντας το προϊόν βγείτε έξω και αναπνεύστε καθαρό αέρα ΑΜΕΣΩΣ. Επισκεφθείτε γιατρό. Ενδέχεται να έχετε δηλητηριαστεί από μονοξείδιο του άνθρακα.

- Χρησιμοποιείτε το προϊόν MONO σε εξωτερικούς χώρους, μακριά από παράθυρα, πόρτες και αεραγωγούς, προκειμένου να μειώσετε τον κίνδυνο συσσώρευσης και ενδεχόμενης διέλευσης του μονοξειδίου του άνθρακα σε χώρους όπου βρίσκονται άνθρωποι.
- Εγκαταστήστε ανιχνευτές μονοξειδίου του άνθρακα που λειτουργούν με μπαταρία ή βυσαματούμενους ανιχνευτές μονοξειδίου του άνθρακα (με εφεδρική μπαταρία) σύμφωνα με τις οδηγίες του κατασκευαστή. Οι ανιχνευτές καπνού δεν μπορούν να ανιχνεύσουν αέριο μονοξειδίου του άνθρακα.
- ΜΗΝ χρησιμοποιήσετε το προϊόν μέσα σε σπίτια, γκαράζ, ψηλοτάβανα ή χαμηλοτάβανα υπόγεια, φράχτες ή άλλους μερικώς κλειστούς χώρους ακόμη και

αν χρησιμοποιείτε ανεμιστήρες ή ανοίγετε πόρτες και παράθυρα για εξαερισμό. Το μονοξείδιο του άνθρακα μπορεί να συσσωρευτεί γρήγορα στους χώρους αυτούς και να παραμείνει για ώρες, ακόμα και μετά τη διακοπή της λειτουργίας της συσκευής.

- Τοποθετείτε ΠΛΑΝΤΑ τη συσκευή στην υπήνεμη πλευρά και με την εξάτμιση του κινητήρα στραμμένη μακριά από χώρους όπου βρίσκονται άνθρωποι.



#### ΠΡΟΕΙΔΟΠΟΙΗΣΗ

Η ταχεία επανατύλιξη του σχοινιού εκκίνησης (κλώστση) θα τραβήξει το χέρι και τον βραχιόνά σας προς τον κινητήρα πριν προλάβετε να αφήσετε το σχοινί.

Ενδέχεται να υποστείτε κατάγματα, συντριπτικά κατάγματα, μώλωπες ή διαστρέμματα.

- Κατά την εκκίνηση του κινητήρα, τραβήξτε το σχοινί εκκίνησης αργά έως ότου αισθανθείτε αντίσταση και, στη συνέχεια, τραβήξτε απότομα για να αποφύγετε τυχόν κλώστση.
- Πριν να εκκινήσετε τον κινητήρα, αφαιρέστε όλα τα εξωτερικά φορτία του εξοπλισμού/κινητήρα.
- Εξαρτήματα άμεσης ζεύξης όπως, μεταξύ άλλων, λεπίδες, πτερωτές, τροχαλίες, αλυσοτροχοί κλπ, πρέπει να ασφαλιζονται.



#### ΠΡΟΕΙΔΟΠΟΙΗΣΗ

Τα χέρια, τα πόδια, τα μαλλιά, τα ρούχα ή τα κοσμήματά σας υπάρχει κίνδυνος να ακουμπήσουν ή να πιαστούν σε περιστρεφόμενα εξαρτήματα.

Ενδέχεται να προκληθεί ακρωτηριασμός ή σοβαρής μορφής κατατεμαχισμός.

- Όταν χειρίζεστε τον εξοπλισμό φροντίστε ώστε οι προφυλακτικές να βρίσκονται εγκαταστημένοι στη θέση τους.
- Κρατάτε τα χέρια και τα πόδια σας μακριά από τα περιστρεφόμενα εξαρτήματα.
- Δέστε τα μαλλιά σας αν είναι μακριά και βγάλτε τα κοσμήματά σας.
- Μην φοράτε ρούχα που εφαρμόζουν χαλαρά επάνω σας, κορδόνια που κρέμονται ή είδη που θα μπορούσαν να πιαστούν στα περιστρεφόμενα εξαρτήματα του κινητήρα.



#### ΠΡΟΕΙΔΟΠΟΙΗΣΗ

Η λειτουργία των κινητήρων παράγει θερμότητα. Τα εξαρτήματα των κινητήρων, ιδίως ο σιγαστήρας, μπορεί να υπερθερμανθούν.

Υπάρχει κίνδυνος σοβαρού εγκαύματος από οποιαδήποτε επαφή.

Τα εύφλεκτα υπολείμματα, όπως φύλλα, γρασιδί, θάμνοι κ.λπ. μπορούν να πάρουν φωτιά.

- Μην αγγίζετε τον σιγαστήρα, τον κύλινδρο του κινητήρα και τα πτερύγια αν δεν κρυώσουν.
- Απομακρύνετε τα συσσωρευμένα υπολείμματα από την περιοχή του σιγαστήρα και του κυλίνδρου.
- Η χρήση ή η λειτουργία του κινητήρα σε δασώδη, χλοώδη ή θαμνώδη άγρια περιοχή συνιστά παράβαση του Τμήματος 4442 του Κώδικα περί Φυσικών Πόρων της Καλιφόρνιας, εκτός εάν το σύστημα εξάτμισης διαθέτει σήτα απορρόφησης σπινθηρών που διατηρείται σε καλή λειτουργική κατάσταση, όπως ορίζεται στο Τμήμα 4442. Παρόμοιοι νόμοι ενδέχεται να ισχύουν και σε άλλες πολιτείες ή περιοχές ομοσπονδιακής δικαιοδοσίας των ΗΠΑ. Για να προμηθευτείτε πλέγμα προστασίας από σπινθήρες το οποίο είναι σχεδιασμένο για το σύστημα εξάτμισης που υπάρχει εγκατεστημένο στον συγκεκριμένο κινητήρα, αποταθείτε στον αρχικό κατασκευαστή του εξοπλισμού.



#### ΠΡΟΕΙΔΟΠΟΙΗΣΗ

Αν κατά λάθος προκληθούν σπινθήρες, υπάρχει κίνδυνος πυρκαγιάς ή ηλεκτροπληξίας.

Αν κατά λάθος γίνει εκκίνηση του κινητήρα, υπάρχει κίνδυνος να πιαστούν κάποια μέλη του σώματός σας, να τραυματιστείτε σοβαρά ή ακόμη και να ακρωτηριαστείτε ή να κοπείτε.

Κίνδυνος πυρκαγιάς

Πριν από την εκτέλεση ρυθμίσεων ή επισκευών:

- Αποσυνδέστε το καλώδιο του αναφλεκτήρα και φυλάξτε το μακριά από τον αναφλεκτήρα.

- Αποσυνδέστε την μπαταρία από τον αρνητικό ακροδέκτη (μόνο για κινητήρες με ηλεκτρική εκκίνηση.)
- Χρησιμοποιείτε μόνο τα σωστά εργαλεία.
- Μην επεμβαίνετε στα ελατήρια του ρυθμιστή ταχύτητας, τους μηχανισμούς ή τα άλλα εξαρτήματα για να αυξήσετε την ταχύτητα του κινητήρα.
- Τα ανταλλακτικά πρέπει να είναι ίδια με τα γνήσια εξαρτήματα και να τοποθετούνται στην ίδια θέση με τα αρχικά εξαρτήματα. Εάν τα εξαρτήματα διαφέρουν, ενδέχεται να μην αποδίδουν εξίσου καλά, να προκαλούν βλάβες στη μονάδα, ακόμη και τραυματισμό.
- Μην χτυπάτε τον σφόνδυλο με σφυρί ή άλλο σκληρό αντικείμενο, διότι υπάρχει κίνδυνος να σπάσει κατά τη λειτουργία.

#### Κατά την εκτέλεση δοκιμών για σπινθήρα:

- Χρησιμοποιήστε εγκεκριμένο δοκιμαστήρα μπουζί.
- Μην ελέγχετε για σπινθήρα ενώ έχετε αφαιρέσει το μπουζί.

## Χαρακτηριστικά και χειριστήρια

### Χειριστήρια κινητήρα

Συγκρίνετε την απεικόνιση (Εικόνα: 1, 2, 3) με τον κινητήρα σας για να εξοικειωθείτε με τη θέση των διαφόρων χαρακτηριστικών και χειριστηρίων.

- A. Στοιχεία κινητήρα **Μοντέλο - Τύπος - Κωδικός**
- B. Μπουζί
- C. Φίλτρο αέρα (επίπεδο ή ωοειδές)
- D. Μοχλός αέρα
- E. Βαλβίδα διακοπής καυσίμου (εάν υπάρχει)
- F. Λαβή σχοινού εκκίνησης
- G. Σχάρα αναρρόφησης αέρα
- H. Χειριστήριο γκαζιού (εφόσον υπάρχει)
- I. Διακόπτης λειτουργίας (εφόσον υπάρχει)
- J. Ντεπόζιτο καυσίμου και πώμα
- K. Μακρύς δείκτης στάθμης λαδιού (εάν υπάρχει)
- L. Κοντός δείκτης στάθμης λαδιού (εάν υπάρχει)
- M. Πώμα αποστράγγισης λαδιού
- N. Οπή πλήρωσης λαδιού
- O. Εξάτμιση, προφυλακτράς εξάτμισης (εάν υπάρχει), σήτα απορρόφησης σπινθήρων (εάν υπάρχει)
- P. Κλειδί ασφαλείας (μοντέλα με ηλεκτρική εκκίνηση)
- Q. Διακόπτης ON/OFF (μοντέλα με ηλεκτρική εκκίνηση)
- R. Μειωτήρας στροφών (εάν υπάρχει)
- S. Διακόπτης με κλειδί (μοντέλα με ηλεκτρική εκκίνηση)

### Σύμβολα ελέγχου του κινητήρα και τι σημαίνουν

Σύμβολο	Σημασία	Σύμβολο	Σημασία
	Ταχύτητα κινητήρα - FAST (Γρήγορη)		Ταχύτητα κινητήρα - SLOW (Αργή)
	Ταχύτητα κινητήρα - STOP (Παύση)		ON - OFF (Ενεργοποίηση - Απενεργοποίηση)
	Εκκίνηση κινητήρα - Τσοκ στη θέση CLOSED (Κλειστό)		Εκκίνηση κινητήρα - Τσοκ στη θέση OPEN (Ανοικτός)

Σύμβολο	Σημασία	Σύμβολο	Σημασία
	Πώμα ντεπόζιτο καυσίμου Διακόπτης παροχής καυσίμου - OPEN (Ανοικτός)		Διακόπτης παροχής καυσίμου - CLOSED (Κλειστός)
	Στάθμη καυσίμου - Μέγιστη Μην γεμίζετε υπερβολικά		

## Λειτουργία

### Συστάσεις για το λάδι

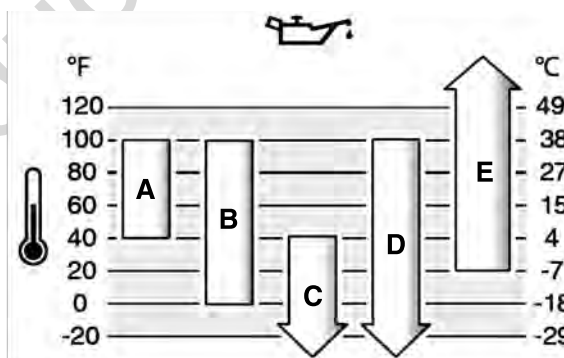
**Χωρητικότητα λαδιού:** Ανατρέξτε στην **Προδιαγραφές** ενότητα.

#### ΕΠΙΣΗΜΑΝΣΗ

Ο κινητήρας αυτός αποστέλλεται από την Briggs & Stratton χωρίς λάδι. Κατασκευαστές εξοπλισμού ή αντιπρόσωποι ενδέχεται να έχουν προσθέσει λάδι στον κινητήρα. Προτού εκκινήσετε τον κινητήρα για πρώτη φορά, φροντίστε να ελέγξετε τη στάθμη λαδιού και προσθέστε λάδι σύμφωνα με τις οδηγίες που παρέχονται στο εγχειρίδιο. Εάν θέσετε τον κινητήρα σε λειτουργία χωρίς λάδι, θα υποστεί ανεπανόρθωτη βλάβη η οποία δεν θα καλύπτεται από την εγγύηση.

Για βέλτιστη απόδοση, συνιστούμε τη χρήση πιστοποιημένων λαδιών με την εγγύηση της Briggs & Stratton. Άλλα απορρυπαντικά λάδια υψηλής ποιότητας είναι αποδεκτά εφόσον έχουν πιστοποιηθεί για χρήση SF, SG, SH, SJ ή υψηλότερη. Μη χρησιμοποιείτε ειδικά πρόσθετα.

Η εξωτερική θερμοκρασία καθορίζει το κατάλληλο ιξώδες λαδιού για τον κινητήρα. Χρησιμοποιήστε τον πίνακα για να επιλέξετε το καλύτερο ιξώδες για το αναμενόμενο εύρος εξωτερικής θερμοκρασίας. Οι κινητήρες στους περισσότερους εξοπλισμούς παραγωγής ισχύος εξωτερικών χώρων λειτουργούν καλά με συνθετικό λάδι 5W-30. Για εξοπλισμούς που χρησιμοποιούνται σε υψηλές θερμοκρασίες, το συνθετικό λάδι Vanguard™ 15W-50 παρέχει τη βέλτιστη προστασία.



A	<b>SAE 30</b> - Η χρήση λαδιού SAE 30 σε θερμοκρασίες κάτω των 4 °C (40 °F) θα έχει ως αποτέλεσμα τη δύσκολη εκκίνηση του κινητήρα.
B	<b>10W-30</b> - Αν το 10W-30 χρησιμοποιηθεί σε θερμοκρασία πάνω από 27 °C (80 °F), μπορεί να αυξηθεί η κατανάλωση λαδιού. Ελέγχετε τη στάθμη του λαδιού συχνά.
C	<b>5W-30</b>
D	<b>Συνθετικό λάδι 5W-30</b>
E	<b>Συνθετικό λάδι Vanguard™ 15W-50</b>

### Έλεγχος στάθμης λαδιού

Βλ. Εικόνα: 4, 5

#### Πριν από την προσθήκη ή τον έλεγχο της στάθμης λαδιού

- Βεβαιωθείτε ότι ο κινητήρας βρίσκεται σε οριζόντια θέση.
- Καθαρίστε την περιοχή γύρω από το πώμα πλήρωσης λαδιού από τυχόν υπολείμματα.

#### Πώμα πλήρωσης λαδιού, εάν υπάρχει

1. Αφαιρέστε το πώμα πλήρωσης λαδιού (A, Εικόνα 4).

2. Αν η στάθμη του λαδιού είναι χαμηλή, προσθέστε λάδι από την οπή πλήρωσης λαδιού (B, Εικόνα 4). Προσθέστε λάδι μέχρι το σημείο υπερχειλίσης.
3. Επανατοποθετήστε και σφίξτε το πώμα πλήρωσης λαδιού (A, Εικόνα 4).

### Κοντός δείκτης στάθμης λαδιού, εάν υπάρχει

1. Αφαιρέστε τον δείκτη στάθμης λαδιού (C, Εικόνα 4) και σκουπίστε τον με ένα καθαρό πανί.
2. Τοποθετήστε τον δείκτη στάθμης λαδιού (C, Εικόνα 4). **Μην περιστρέψετε και μην σφίγγετε.**
3. Αφαιρέστε τον δείκτη στάθμης λαδιού και ελέγξτε τη στάθμη του λαδιού. Η σωστή στάθμη λαδιού είναι το πάνω σημείο της ένδειξης πλήρους στάθμης (D, Εικόνα 4) που απεικονίζεται στον δείκτη στάθμης.
4. Αν η στάθμη του λαδιού είναι χαμηλή, προσθέστε λάδι από την οπή πλήρωσης λαδιού (B, Εικόνα 4). Προσθέστε λάδι μέχρι το σημείο υπερχειλίσης.
5. Επανατοποθετήστε και σφίξτε τον δείκτη στάθμης λαδιού (C, Εικόνα 4).

### Μακρύς δείκτης στάθμης λαδιού, εάν υπάρχει

1. Αφαιρέστε τον δείκτη στάθμης λαδιού (A, Εικόνα 5) και σκουπίστε τον με ένα καθαρό πανί.
2. Τοποθετήστε και σφίξτε τον δείκτη στάθμης λαδιού (A, Εικόνα 5).
3. Αφαιρέστε τον δείκτη στάθμης λαδιού και ελέγξτε τη στάθμη του λαδιού. Η σωστή στάθμη λαδιού είναι το πάνω σημείο της ένδειξης πλήρους στάθμης (B, Εικόνα 5) που απεικονίζεται στον δείκτη στάθμης.
4. Αν η στάθμη του λαδιού είναι χαμηλή, προσθέστε λάδι από την οπή πλήρωσης λαδιού (C, Εικόνα 5). **Μη γεμίζετε υπερβολικά.** Μετά από την προσθήκη λαδιού, περιμένετε ένα λεπτό και, στη συνέχεια, ελέγξτε εκ νέου τη στάθμη λαδιού.
5. Επανατοποθετήστε και σφίξτε τον δείκτη στάθμης λαδιού (A, Εικόνα 5).

## Σύστημα προστασίας από χαμηλή στάθμη λαδιού (εφόσον υπάρχει)

Ορισμένοι κινητήρες είναι εξοπλισμένοι με αισθητήρα χαμηλής στάθμης λαδιού. Αν η στάθμη του λαδιού είναι χαμηλή, ο αισθητήρας είτε θα ενεργοποιήσει μια προειδοποιητική λυχνία είτε θα σβήσει τον κινητήρα. Σβήστε τον κινητήρα και ακολουθήστε αυτά τα βήματα πριν τον επανεκκινήσετε.

- Βεβαιωθείτε ότι ο κινητήρας βρίσκεται σε οριζόντια θέση.
- Ελέγξτε τη στάθμη του λαδιού. Ανατρέξτε στην ενότητα **Έλεγχος στάθμης λαδιού**.
- Αν η στάθμη του λαδιού είναι χαμηλή, προσθέστε τη σωστή ποσότητα λαδιού. Θέστε σε λειτουργία τον κινητήρα και βεβαιωθείτε ότι δεν ενεργοποιείται η προειδοποιητική λυχνία (εφόσον υπάρχει).
- Αν η στάθμη του λαδιού δεν είναι χαμηλή, μη θέσετε σε λειτουργία τον κινητήρα. Απευθυνθείτε σε εξουσιοδοτημένο αντιπρόσωπο σέρβις της Briggs & Stratton για να διορθώσει το πρόβλημα με το λάδι.

## Συστάσεις για το καύσιμο

Το καύσιμο πρέπει να πληροί τις ακόλουθες απαιτήσεις:

- Καθαρή, φρέσκια, αμόλυβδη βενζίνη.
- Τουλάχιστον 87 οκτάνια/87 AKI (91 RON). Για χρήση σε μεγάλο υψόμετρο βλ. παρακάτω.
- Βενζίνη με έως 10% αιθανόλη (βενζινόλη) είναι αποδεκτή.

**ΕΠΙΣΗΜΑΝΣΗ** Μην χρησιμοποιείτε μη εγκεκριμένα είδη βενζίνης, όπως E15 και E85. Μην προσθέτετε λάδι στη βενζίνη ούτε να τροποποιείτε τον κινητήρα για να λειτουργεί με εναλλακτικά καύσιμα. Η χρήση μη εγκεκριμένων καυσίμων μπορεί να προκαλέσει βλάβη στα εξαρτήματα του κινητήρα η οποία δεν καλύπτεται από την εγγύηση.

Για να προστατέψετε το σύστημα τροφοδοσίας καυσίμου από τον σχηματισμό υπολειμμάτων, αναμειξτε κατά την προσθήκη καυσίμου ένα βελτιωτικό. Βλέπε **Αποθήκευση**. Όλα τα είδη καυσίμου δεν είναι ίδια. Όταν υπάρχουν προβλήματα ως προς τη εκκίνηση ή την απόδοση του κινητήρα, τότε αλλάξτε προμηθευτή ή μάρκα καυσίμου. Ο εν λόγω κινητήρας έχει πιστοποιηθεί για λειτουργία με βενζίνη. Το σύστημα ελέγχου εκπομπών καυσαερίων για τον συγκεκριμένο κινητήρα είναι EM (Τροποποιήσεις Κινητήρα).

### Μεγάλο υψόμετρο

Σε υψόμετρα μεγαλύτερα από 1524 μέτρα (5.000 πόδια), είναι αποδεκτή η χρήση βενζίνης τουλάχιστον 85 οκτανίων/85 AKI (89 RON).

Για κινητήρες με καρμπυρατέρ, απαιτείται ρύθμιση για μεγάλα υψόμετρα για να διατηρηθεί η απόδοση. Η λειτουργία χωρίς τη συγκεκριμένη ρύθμιση θα έχει ως αποτέλεσμα μειωμένη απόδοση, αυξημένη κατανάλωση καυσίμου και αυξημένες εκπομπές καυσαερίων. Για πληροφορίες σχετικά με τη ρύθμιση για μεγάλα υψόμετρα απευθυνθείτε σε εξουσιοδοτημένο αντιπρόσωπο σέρβις της Briggs & Stratton. Δεν ενδείκνυται η λειτουργία του κινητήρα με το kit για μεγάλα υψόμετρα όταν το υψόμετρο είναι μικρότερο από 762 μέτρα (2.500 πόδια).

Για κινητήρες με ηλεκτρονικό ψεκασμό καυσίμου (EFI) δεν απαιτείται ρύθμιση μεγάλου υψόμετρο.

## Προσθήκη καυσίμου

Βλέπε Εικόνα: 6



**ΠΡΟΕΙΔΟΠΟΙΗΣΗ**



Το καύσιμο και οι αναθυμιάσεις του συνιστούν εξαιρετικά εύφλεκτες και εκρηκτικές ουσίες.

Ενδεχόμενη φωτιά ή έκρηξη μπορούν να προκαλέσουν σοβαρά εγκαύματα ή θάνατο.

### Κατά την προσθήκη καυσίμου

- Σβήστε τον κινητήρα και αφήστε τον να κρυώσει για τουλάχιστον 2 λεπτά προτού να αφαιρέσετε το πώμα του νεποζίτου καυσίμου.
- Γεμίστε το νεποζίτο καυσίμου σε εξωτερικό ή καλά αεριζόμενο χώρο.
- Μη γεμίζετε υπερβολικά το νεποζίτο καυσίμου. Μην υπερβείτε το κάτω μέρος του στομίου του νεποζίτου καυσίμου, ώστε να υπάρχει χώρος για τη διαστολή του καυσίμου.
- Φροντίστε ώστε η βενζίνη να μην έρχεται σε επαφή με σπινθήρες, γυμνές φλόγες, οδηγούς φλόγες, θερμότητα και άλλες πηγές ανάφλεξης.
- Ελέγχετε συχνά τις σωληνώσεις καυσίμου, το νεποζίτο καυσίμου, το πώμα και τα εξαρτήματα σύνδεσης για ρωγμές και διαρροές. Προβείτε σε αντικαταστάσεις εάν είναι απαραίτητο.
- Εάν χυθεί καύσιμο, περιμένετε έως ότου εξατμιστεί προτού να προβείτε σε εκκίνηση του κινητήρα.

1. Απομακρύνετε ακαθαρσίες και υπολείμματα από την περιοχή γύρω από το πώμα του νεποζίτου καυσίμου. Αφαιρέστε το πώμα του νεποζίτου καυσίμου.
2. Γεμίστε το νεποζίτο καυσίμου (A, Εικόνα 6) με καύσιμο. Μη γεμίζετε περισσότερο από το κάτω μέρος του στομίου (B) του νεποζίτου καυσίμου, ώστε να υπάρχει χώρος για τη διαστολή του καυσίμου.
3. Επανατοποθετήστε το πώμα του νεποζίτου καυσίμου.

## Εκκίνηση και διακοπή της λειτουργίας του κινητήρα

Βλ. Εικόνα: 7, 8

### Εκκίνηση του κινητήρα



**ΠΡΟΕΙΔΟΠΟΙΗΣΗ**



Η ταχεία επανατύλιξη του σχοινιού εκκίνησης (κλώτσημα) θα τραβήξει το χέρι και τον βραχιόνά σας προς τον κινητήρα πριν προλάβετε να αφήσετε το σχοινί.

Ενδέχεται να υποστείτε κατάγματα, συντριπτικά κατάγματα, μώλωπες ή διαστρέμματα.

- Κατά την εκκίνηση του κινητήρα, τραβήξτε το σχοινί αργά μέχρι να συναντήσετε αντίσταση και, στη συνέχεια, τραβήξτε απότομα.



**ΠΡΟΕΙΔΟΠΟΙΗΣΗ**



Το καύσιμο και οι αναθυμιάσεις του συνιστούν εξαιρετικά εύφλεκτες και εκρηκτικές ουσίες.

Ενδεχόμενη φωτιά ή έκρηξη μπορούν να προκαλέσουν σοβαρά εγκαύματα ή θάνατο.

### Κατά την εκκίνηση του κινητήρα

- Βεβαιωθείτε ότι το μπουζί, ο σιγαστήρας, το πώμα του νεποζίτου καυσίμου και το φίλτρο αέρα (εφόσον υπάρχουν) βρίσκονται στη θέση τους και ότι έχουν στερεωθεί καλά.
- Μην προσπαθείτε να εκκινήσετε τον κινητήρα με βγαλμένο το μπουζί.
- Εάν ο κινητήρας μπουκώσει, θέστε το τσοκ (εάν υπάρχει) στη θέση OPEN/RUN, μετακινήστε τον μοχλό του γκαζιού (εάν υπάρχει) στη θέση FAST και περιστρέψτε τον κινητήρα έως ότου τεθεί σε λειτουργία.





## ΠΡΟΕΙΔΟΠΟΙΗΣΗ

**ΚΙΝΔΥΝΟΣ ΔΗΛΗΤΗΡΙΩΔΟΥΣ ΑΕΡΙΟΥ.** Τα αέρια που εκπέμπει ο κινητήρας περιέχουν μονοξείδιο του άνθρακα, ένα δηλητηριώδες αέριο το οποίο μπορεί να επιφέρει τον θάνατο μέσα σε λίγα λεπτά. Είναι **ΑΟΡΑΤΟ, ΑΟΣΜΟ** και **ΑΓΕΥΣΤΟ**. Το γεγονός ότι δεν μυρίζετε τα καυσαέρια δεν αποκλείει την πιθανότητα έκθεσής σας σε μονοξείδιο του άνθρακα. Σε περίπτωση που αισθανθείτε αδιαθεσία, ζαλάδα ή αδυναμία κατά τη χρήση του προϊόντος, σβήστε τον κινητήρα και μεταφερθείτε **ΑΜΕΣΩΣ** σε χώρο με καθαρό αέρα. **Επισκεφθείτε γιατρό. Ενδέχεται να έχετε δηλητηριαστεί από μονοξείδιο του άνθρακα.**

- Χρησιμοποιείτε το προϊόν **ΜΟΝΟ** σε εξωτερικούς χώρους, μακριά από παράθυρα, πόρτες και αεραγωγούς, προκειμένου να μειώσετε τον κίνδυνο συσσώρευσης και ενδεχόμενης αναρρόφησης του μονοξειδίου του άνθρακα σε χώρους όπου βρίσκονται άνθρωποι.
- Εγκαταστήστε ανιχνευτές μονοξειδίου του άνθρακα που λειτουργούν με μπαταρία ή βυσματούμενους ανιχνευτές μονοξειδίου του άνθρακα (με εφεδρική μπαταρία) σύμφωνα με τις οδηγίες του κατασκευαστή. Οι ανιχνευτές καπνού δεν μπορούν να ανιχνεύσουν αέριο μονοξειδίου του άνθρακα.
- ΜΗ** θέσετε σε λειτουργία τη συσκευή μέσα σε σπείρα, γκαράζ, υπόγειο, αγωγούς, υπόστεγα, ή σε άλλους μερικώς κλειστούς χώρους, ακόμη και αν χρησιμοποιείτε ανεμιστήρες ή έχετε ανοιχτές πόρτες και παράθυρα για εξαερισμό. Το μονοξείδιο του άνθρακα μπορεί να συσσωρευτεί γρήγορα στους χώρους αυτούς και να παραμείνει για ώρες, ακόμα και μετά τη διακοπή της λειτουργίας της συσκευής.
- Τοποθετείτε **ΠΑΝΤΑ** τη συσκευή στην υπήνεμη πλευρά και με την εξάτμιση του κινητήρα στραμμένη μακριά από χώρους όπου βρίσκονται άνθρωποι.

**ΕΠΙΣΗΜΑΝΣΗ** Ο κινητήρας αυτός αποστέλλεται από την Briggs & Stratton χωρίς λάδι. Προτού εκκινήσετε τον κινητήρα, βεβαιωθείτε ότι έχετε προσθέσει λάδι σύμφωνα με τις οδηγίες που παρέχονται στο εγχειρίδιο. Εάν θέσετε τον κινητήρα σε λειτουργία χωρίς λάδι, θα υποστεί ανεπανόρθωτη βλάβη η οποία δεν καλύπτεται από την εγγύηση.

**Σημείωση:** Ο εξοπλισμός μπορεί να διαθέτει τηλεχειρισμό. Για τη θέση και τη λειτουργία του τηλεχειρισμού ανατρέξτε στο εγχειρίδιο του εξοπλισμού.

- Ελέγξτε το λάδι του κινητήρα. Ανατρέξτε στην ενότητα **Έλεγχος της στάθμης λαδιού**.
- Βεβαιωθείτε ότι όλα τα χειριστήρια μετάδοσης κίνησης του εξοπλισμού, εάν υπάρχουν, είναι αποσυμπλεγμένα.
- Μετακινήστε τη βαλβίδα διακοπής καυσίμου (Α, Εικόνα 7) στη θέση **OPEN**.
- Μετακινήστε το χειριστήριο γκαζιού (C, Εικόνα 7), εάν υπάρχει, στη θέση **FAST**. Χειριστείτε τον κινητήρα στη θέση **FAST**.
- Μετακινήστε τον μοχλό αέρα (B, Εικόνα 7), στη θέση **CHOKE**.

**Σημείωση:** Το τσοκ συνήθως δεν χρειάζεται όταν επανακινείτε έναν ζεστό κινητήρα.

- Φέρτε τον διακόπτη παύσης λειτουργίας (D, Εικόνα 7), εάν υπάρχει, στη θέση **ON**.
- Διακόπτης επανεκκίνησης, εάν υπάρχει:** Κρατήστε καλά τη λαβή του σχοινιού εκκίνησης (E, Εικόνα 7). Τραβήξτε τη λαβή του σχοινιού εκκίνησης αργά, μέχρι να συναντήσετε αντίσταση και, στη συνέχεια, τραβήξτε απότομα.



## ΠΡΟΕΙΔΟΠΟΙΗΣΗ

Η ταχεία επανατύλιξη του σχοινιού εκκίνησης (κλώστημα) θα τραβήξει το χέρι και το βραχιόνια σας προς τον κινητήρα πριν προλάβετε να αφήσετε το σχοινί. Ενδέχεται να υποστείτε κατάγματα, συντριπτικά κατάγματα, μώλωπες ή διαστρέμματα. Κατά την εκκίνηση που κινητήρα, τραβήξτε το σχοινί αργά μέχρι να συναντήσετε αντίσταση και, στη συνέχεια, τραβήξτε απότομα.

- Ηλεκτρική εκκίνηση με κλειδί ασφαλείας (F) εάν υπάρχει:** Τοποθετήστε το κλειδί ασφαλείας (F, Εικόνα 7). Πατήστε τον διακόπτη εκκίνησης (G). Όταν ο κινητήρας τεθεί σε λειτουργία, αφήστε τον διακόπτη εκκίνησης.
- Ηλεκτρική εκκίνηση, εάν υπάρχει, με διακόπτη κλειδιού αυτοκινήτου (H):** Στρέψτε τον διακόπτη με κλειδί (H, Εικόνα 8) στη θέση **START**. Όταν ο κινητήρας τεθεί σε λειτουργία, αφήστε τον διακόπτη με κλειδί.

**ΕΠΙΣΗΜΑΝΣΗ** Για να παρατείνετε τη διάρκεια ζωής του εκκινήτηρα, χρησιμοποιήστε σύντομους κύκλους εκκίνησης (πέντε δευτερόλεπτων κατά το μέγιστο). Αφήστε ένα λεπτό μεταξύ των κύκλων εκκίνησης.

- Καθώς ο κινητήρας θερμαίνεται, μετακινήστε τον μοχλό αέρα (B, Εικόνα 7) στη θέση **RUN**.

**Σημείωση:** Εάν ο κινητήρας δεν ξεκινήσει μετά από επανειλημμένες προσπάθειες, συμβουλευθείτε τη σελίδα **BRIGGSandSTRATTON.com** ή επικοινωνήστε με τον τοπικό σας αντιπρόσωπο στο τηλέφωνο **1-800-233-3723** (για τις ΗΠΑ).

## Σβήστε τον κινητήρα



## ΠΡΟΕΙΔΟΠΟΙΗΣΗ



Το καύσιμο και οι αναθυμιάσεις του συνιστούν εξαιρετικά εύφλεκτες και εκρηκτικές ουσίες.

Ενδεχόμενη φωτιά ή έκρηξη μπορούν να προκαλέσουν σοβαρά εγκαύματα ή θάνατο.

- Μην κλείνετε τον αέρα στο καρμπυρατέρ για να σταματήσετε τον κινητήρα.

- Χειριστήριο γκαζιού, εφόσον υπάρχει:** Μετακινήστε τον μοχλό του γκαζιού (C, Εικόνα 7) στη θέση **SLOW** και στη συνέχεια στη θέση **STOP**.

**Διακόπτης παύσης λειτουργίας, εάν υπάρχει:** Στρέψτε τον διακόπτη παύσης λειτουργίας (D, Εικόνα 7) στη θέση **STOP**.

**Κλειδί ασφαλείας, εάν υπάρχει:** Αφαιρέστε το κλειδί ασφαλείας (F, Εικόνα 7) και φυλάξτε το σε ασφαλές μέρος μακριά από παιδιά.

**Διακόπτης με κλειδί, εάν υπάρχει:** Θέστε τον διακόπτη με κλειδί (H, Εικόνα 8) στη θέση **OFF**. Αφαιρέστε το κλειδί και φυλάξτε το σε ασφαλές μέρος μακριά από παιδιά.

- Μετά τη διακοπή λειτουργίας του κινητήρα, μετακινήστε τη βαλβίδα διακοπής καυσίμου (A, Εικόνα 7) στη θέση **CLOSED**.

## Συντήρηση

**ΕΠΙΣΗΜΑΝΣΗ** Αν κατά τη συντήρηση γείρετε τον κινητήρα, το νεπετόζιτο καυσίμου, αν είναι εγκατεστημένο πάνω στον κινητήρα, πρέπει να είναι άδειο και η πλευρά του μπουζι να είναι προς τα πάνω. Εάν το νεπετόζιτο καυσίμου δεν είναι άδειο και γείρετε τον κινητήρα προς οποιαδήποτε άλλη κατεύθυνση, ενδέχεται να είναι δύσκολο να τον θέσετε σε λειτουργία λόγω μόλυνσης με λάδι ή βενζίνη του φίλτρου αέρα και/ή του μπουζι.



## ΠΡΟΕΙΔΟΠΟΙΗΣΗ

Εάν απαιτείται να γείρετε τη μονάδα για λόγους συντήρησης, το νεπετόζιτο καυσίμου πρέπει να είναι άδειο διότι, διαφορετικά, υπάρχει κίνδυνος διαρροής καυσίμου και πρόκλησης πυρκαγιάς ή έκρηξης.

Για κάθε εργασία συντήρησης και σέρβις του κινητήρα και των εξαρτημάτων του σας συνιστούμε να επισκέπτεστε έναν εξουσιοδοτημένο αντιπρόσωπο σέρβις της Briggs & Stratton.

**ΕΠΙΣΗΜΑΝΣΗ** Για να διασφαλιστεί η ομαλή λειτουργία αυτού του κινητήρα, όλα τα εξαρτήματα που χρησιμοποιήθηκαν για την κατασκευή του πρέπει να παραμείνουν στη θέση τους.



## ΠΡΟΕΙΔΟΠΟΙΗΣΗ



Τυχόν ακούσια δημιουργία σπινθήρων μπορεί να προκαλέσει φωτιά ή ηλεκτροπληξία.

Τυχόν ακούσια εκκίνηση μπορεί να προκαλέσει εμπλοκή μέλους στον κινητήρα, ακρωτηριασμό ή σχίσσιμο.

## Κίνδυνος πυρκαγιάς

### Πριν από την εκτέλεση ρυθμίσεων ή επισκευών:

- Αποσυνδέστε το καλώδιο του μπουζι και κρατήστε το μακριά από το μπουζι.
- Αποσυνδέστε τον αρνητικό πόλο της μπαταρίας (μόνο για κινητήρες με ηλεκτρική εκκίνηση).
- Χρησιμοποιείτε μόνο τα σωστά εργαλεία.
- Μην επεμβαίνετε στο ελατήριο του ρυθμιστή ταχύτητας, στους μηχανισμούς ή στα άλλα εξαρτήματα για να αυξήσετε την ταχύτητα του κινητήρα.
- Τα ανταλλακτικά πρέπει να είναι ίδιου σχεδιασμού και να εγκαθίστανται στην ίδια θέση με τα γνήσια εξαρτήματα. Εάν τα εξαρτήματα διαφέρουν, ενδέχεται να μην αποδίδουν εξίσου καλά, να προκαλέσουν βλάβες στη μονάδα, ακόμη και τραυματισμό.
- Μη χτυπάτε το σφόνδυλο με σφυρί ή με άλλο σκληρό αντικείμενο, διότι υπάρχει κίνδυνος να σπάσει ο σφόνδυλος κατά τη λειτουργία.

### Κατά τον έλεγχο για σπινθήρα:

- Χρησιμοποιείτε εγκεκριμένη διάταξη δοκιμής μπουζι.
- Μην κάνετε έλεγχο για σπινθήρα έχοντας αφαιρέσει το μπουζι.

## Σέρβις Συστήματος ελέγχου εκπομπών

Τη συντήρηση, αντικατάσταση και επισκευή των συσκευών και συστημάτων ελέγχου εκπομπών κινητήρων που χρησιμοποιούνται εκτός δρόμου μπορούν να αναλαμβάνουν ιδιώτες ή εταιρείες επισκευής. Ωστόσο, τη συντήρηση του συστήματος ελέγχου εκπομπών καυσαερίων "χωρίς επιβάρυνση" πρέπει να αναλαμβάνει εξουσιοδοτημένος αντιπρόσωπος του κατασκευαστή. Δείτε τις Δηλώσεις για τον Έλεγχο εκπομπών.

## Πρόγραμμα Συντήρησης

<b>Πρώτες 5 ώρες</b>
<ul style="list-style-type: none"><li>Αλλαγή λαδιού</li></ul>
<b>Κάθε 8 ώρες ή κάθε μέρα</b>
<ul style="list-style-type: none"><li>Έλεγχος στάθμης λαδιού κινητήρα</li><li>Καθαρισμός της περιοχής γύρω από τον σιγαστήρα εξάτμισης και τα χειριστήρια</li><li>Καθαρισμός σχάρας αναρρόφησης αέρα</li></ul>
<b>Κάθε 25 ώρες ή ετησίως</b>
<ul style="list-style-type: none"><li>Καθαρισμός του φίλτρου αέρα <sup>1</sup></li><li>Καθαρισμός του προφίλτρου (εάν υπάρχει) <sup>1</sup></li></ul>
<b>Κάθε 50 ώρες ή ετησίως</b>
<ul style="list-style-type: none"><li>Αλλαγή λαδιού κινητήρα</li><li>Έλεγχος συστήματος εξάτμισης</li></ul>
<b>Κάθε 100 ώρες</b>
<ul style="list-style-type: none"><li>Αλλαγή λαδιού μειωτήρα στροφών (εάν υπάρχει)</li></ul>
<b>Ετησίως</b>
<ul style="list-style-type: none"><li>Αντικατάσταση μπουζί</li><li>Αντικατάσταση φίλτρου αέρα</li><li>Αντικατάσταση προφίλτρου (εάν υπάρχει)</li><li>Αντικατάσταση φίλτρου καυσίμου (εάν υπάρχει)</li><li>Σέρβις συστήματος καυσίμου</li><li>Έλεγχος συστήματος ψύξης <sup>1</sup></li><li>Έλεγχος διάκενου βαλβίδας <sup>2</sup></li></ul>

<sup>1</sup> Υπό συνθήκες σκόνης ή όταν υπάρχουν αερόφερα υπολείμματα, να καθαρίζετε πιο συχνά.

<sup>2</sup> Δεν είναι απαραίτητο, εκτός εάν παρατηρηθούν προβλήματα στην απόδοση του κινητήρα.

## Καρμπιρατέρ και ταχύτητα κινητήρα

Μη ρυθμίσετε ποτέ το καρμπιρατέρ και την ταχύτητα του κινητήρα. Το καρμπιρατέρ έχει ρυθμιστεί εργοστασιακά ώστε να λειτουργεί αποτελεσματικά υπό τις περισσότερες συνθήκες. Μην επεμβαίνετε στο ελατήριο του ρυθμιστή ταχύτητας, στους μηχανισμούς ή στα άλλα εξαρτήματα για να τροποποιήσετε την ταχύτητα του κινητήρα. Σε περίπτωση που απαιτούνται οποιοσδήποτε ρυθμίσεις, απευθυνθείτε σε εξουσιοδοτημένο αντιπρόσωπο σέρβις της Briggs & Stratton.

**ΕΠΙΣΗΜΑΝΣΗ** Η μέγιστη ταχύτητα του κινητήρα καθορίζεται από τον κατασκευαστή κατά την τοποθέτησή του κινητήρα στον εξοπλισμό. **Μην υπερβείτε** αυτή την ταχύτητα. Εάν δεν είστε βέβαιοι για τη μέγιστη ταχύτητα του εξοπλισμού ή τη ρυθμισμένη από το εργοστάσιο ταχύτητα του κινητήρα, απευθυνθείτε για βοήθεια σε εξουσιοδοτημένο αντιπρόσωπο σέρβις της Briggs & Stratton. Για την ασφαλή και ορθή λειτουργία του εξοπλισμού, η ταχύτητα του κινητήρα πρέπει να ρυθμίζεται αποκλειστικά από εξειδικευμένο τεχνικό συντήρησης.

## Σέρβις του μπουζί

Βλέπε Εικόνα: 9

Ελέγξτε το διάκενο (Α, Εικόνα 9) με διακενόμετρο (Β). Εάν χρειάζεται, ρυθμίστε εκ νέου το διάκενο. Τοποθετήστε και σφίξτε το μπουζί σύμφωνα με τη συνιστώμενη ροπή σύσφιξης. Σχετικά με τη ρύθμιση του διάκενου ή της ροπής σύσφιξης, ανατρέξτε στην ενότητα **Προδιαγραφές**.

**Σημείωση:** Σε ορισμένες περιπτώσεις, η τοπική νομοθεσία απαιτεί τη χρήση μπουζί με αντίσταση για να καταστέλλονται τα κύματα ανάφλεξης. Αν ο κινητήρας σας είχε αρχικά μπουζί με αντίσταση, πρέπει να χρησιμοποιήσετε τον ίδιο τύπο στις επόμενες αντικαταστάσεις.

## Σέρβις Συστήματος εξάτμισης



**ΠΡΟΕΙΔΟΠΟΙΗΣΗ**

Η λειτουργία των κινητήρων παράγει θερμότητα. Τα εξαρτήματα του κινητήρα, και ιδιαίτερα ο σιγαστήρας, αποκτούν εξαιρετικά υψηλές θερμοκρασίες.

Τυχόν επαφή μπορεί να προκαλέσει σοβαρά εγκαύματα.

Υπολείμματα καύσιμων υλών, όπως φύλλα, γρασίδι, φύλλα θάμνων, κλπ. μπορούν να πιάσουν φωτιά.

- Μην αγγίζετε το σιγαστήρα, τον κύλινδρο του κινητήρα και τα πτερύγια όσο είναι ακόμη θερμά.
- Απομακρύνετε τα συσσωρευμένα υπολείμματα από την περιοχή του σιγαστήρα και του κυλίνδρου.
- Η χρήση ή η λειτουργία του κινητήρα σε δασώδη, χλωώδη ή θαμνώδη περιοχή συνιστά παράβαση του Τμήματος 4442 του Κώδικα περί Φυσικών Πόρων της Καλιφόρνιας, εκτός εάν το σύστημα εξάτμισης διαθέτει σήτα απορρόφησης σπινθήρων που διατηρείται σε καλή λειτουργική κατάσταση, όπως ορίζεται στο Τμήμα 4442. Παρόμοιες νομοθεσίες μπορεί να ισχύουν και σε άλλες πολιτειακές ή ομοσπονδιακές δικαιοδοσίες. Για σήτα απορρόφησης σπινθήρων σχεδιασμένη για το σύστημα εξάτμισης που είναι εγκατεστημένο στον παρόντα κινητήρα, επικοινωνήστε με τον κατασκευαστή, το κατάστημα πώλησης ή τον αντιπρόσωπο του αρχικού εξοπλισμού.

Απομακρύνετε τα συσσωρευμένα υπολείμματα από την περιοχή του σιγαστήρα εξάτμισης και του κυλίνδρου. Ελέγξτε το σιγαστήρα για ρωγμές, διάβρωση ή άλλες ζημιές. Αφαιρέστε τη σήτα απορρόφησης σπινθήρων, εφόσον υπάρχει, και ελέγξτε για ζημιές ή απόφραξη από άνθρακα. Εάν διαπιστώσετε φθορές, αντικαταστήστε τα εξαρτήματα πριν από τη χρήση.



**ΠΡΟΕΙΔΟΠΟΙΗΣΗ**

Τα ανταλλακτικά πρέπει να είναι ίδιου σχεδιασμού και να εγκαθίστανται στην ίδια θέση με τα γνήσια εξαρτήματα. Εάν τα εξαρτήματα διαφέρουν, ενδέχεται να μην αποδίδουν εξίσου καλά, να προκαλέσουν βλάβες στη μονάδα, ακόμη και τραυματισμό.

## Αλλαγή λαδιού κινητήρα

Βλ. Εικόνα: 10, 11, 12

Το χρησιμοποιημένο λάδι είναι επικίνδυνο απόβλητο και πρέπει να απορρίπτεται ως αρμόζει. Μην το απορρίπτετε στον κάδο οικιακών απορριμμάτων. Για ασφαλείς εγκαταστάσεις απόρριψης/ανακύκλωσης, επικοινωνήστε με τις τοπικές αρχές, το κέντρο συντήρησης ή τον τοπικό αντιπρόσωπο.

### Αδειασμα λαδιού

- Με τον κινητήρα εκτός λειτουργίας και ενώ είναι ακόμη ζεστός, αποσυνδέστε το καλώδιο του μπουζί (D, Εικόνα 10) και κρατήστε το μακριά από το μπουζί (E).
- Αφαιρέστε το πώμα αποστράγγισης λαδιού (F, Εικόνα 11). Αδειάστε το λάδι σε εγκεκριμένο δοχείο.

**Σημείωση:** Μπορείτε να τοποθετήσετε στον κινητήρα οποιοδήποτε από τα πώματα αποστράγγισης λαδιού (G, Εικόνα 11).

- Μετά την αποστράγγιση του λαδιού, τοποθετήστε και σφίξτε το πώμα (F, Εικόνα 11).

### Προσθήκη λαδιού

- Βεβαιωθείτε ότι ο κινητήρας βρίσκεται σε οριζόντια θέση.
- Καθαρίστε την περιοχή γύρω από το πώμα πλήρωσης λαδιού από τυχόν υπολείμματα.
- Ανατρέξτε στην ενότητα **Προδιαγραφές** για να δείτε τη χωρητικότητα λαδιού.

### Πώμα πλήρωσης λαδιού, εάν υπάρχει

- Αφαιρέστε το πώμα πλήρωσης λαδιού (F, Εικόνα 11).
- Προσθέστε αργά λάδι μέσα από την οπή πλήρωσης λαδιού (C, Εικόνα 11). Προσθέστε λάδι μέχρι το σημείο υπερχειλίσης.
- Τοποθετήστε και σφίξτε το πώμα πλήρωσης λαδιού (H, Εικόνα 11).
- Συνδέστε το καλώδιο (D, Εικόνα 10) στο μπουζί (E).

## Κοντός δείκτης στάθμης λαδιού, εάν υπάρχει

1. Αφαιρέστε τον δείκτη στάθμης λαδιού (Α, Εικόνα 11) και σκουπίστε τον με ένα καθαρό πανί.
2. Προσθέστε αργά λάδι μέσα από την οπή πλήρωσης λαδιού (C, Εικόνα 11). Προσθέστε λάδι μέχρι το σημείο υπερχείλισης.
3. Τοποθετήστε τον δείκτη στάθμης λαδιού (Α, Εικόνα 11). **Μην περιστρέψετε και μην σφίγγετε.** Αφαιρέστε τον δείκτη στάθμης λαδιού και ελέγξτε τη στάθμη του λαδιού. Η σωστή στάθμη λαδιού είναι το πάνω σημείο της ένδειξης πλήρους στάθμης (B) που απεικονίζεται στον δείκτη στάθμης.
4. Επανατοποθετήστε και σφίξτε τον δείκτη στάθμης λαδιού (Α, Εικόνα 11).
5. Συνδέστε το καλώδιο (D, Εικόνα 10) στο μπουζί (E).

## Μακρός δείκτης στάθμης λαδιού, εάν υπάρχει

1. Αφαιρέστε τον δείκτη στάθμης λαδιού (Α, Εικόνα 12) και σκουπίστε τον με ένα καθαρό πανί.
2. Προσθέστε αργά λάδι μέσα από την οπή πλήρωσης λαδιού (C, Εικόνα 12). **Μη γεμίσετε υπερβολικά.** Μετά από την προσθήκη λαδιού, περιμένετε ένα (1) λεπτό και, στη συνέχεια, ελέγξτε εκ νέου τη στάθμη λαδιού.
3. Τοποθετήστε και σφίξτε τον δείκτη στάθμης λαδιού (Α, Εικόνα 12).
4. Αφαιρέστε τον δείκτη στάθμης λαδιού και ελέγξτε τη στάθμη του λαδιού. Η σωστή στάθμη λαδιού είναι το πάνω σημείο της ένδειξης πλήρους στάθμης (B, Εικόνα 12) που απεικονίζεται στον δείκτη στάθμης.
5. Επανατοποθετήστε και σφίξτε τον δείκτη στάθμης λαδιού (Α, Εικόνα 12).
6. Συνδέστε το καλώδιο (D, Εικόνα 10) στο μπουζί (E).

## Αλλαγή λαδιού στον μειωτήρα στροφών

Βλ. Εικόνα: 13, 14

### Μειωτήρας στροφών 6:1 (Εικόνα 13)

Εάν ο κινητήρας σας διαθέτει μειωτήρα στροφών 6:1, προβείτε στις ακόλουθες ενέργειες συντήρησης:

1. Αφαιρέστε το πώμα πλήρωσης λαδιού (Α, Εικόνα 13) και το πώμα στάθμης λαδιού (B).
2. Αφαιρέστε το πώμα αποστράγγισης λαδιού (C, Εικόνα 13) και αδειάστε το λάδι σε εγκεκριμένο δοχείο.
3. Επανατοποθετήστε και σφίξτε το πώμα αποστράγγισης λαδιού (C, Εικόνα 13).
4. Για να επαναπληρώσετε, ρίξτε αργά λιπαντικό για οδοντωτούς τροχούς (βλ. ενότητα **Προδιαγραφές**) στην οπή πλήρωσης λαδιού (D, Εικόνα 13). Συνεχίστε έως ότου το λάδι ξεχειλίσει από την οπή στάθμης λαδιού (E).
5. Επανατοποθετήστε και σφίξτε το πώμα στάθμης λαδιού (B, Εικόνα 13).
6. Επανατοποθετήστε και σφίξτε το πώμα πλήρωσης λαδιού (Α, Εικόνα 13).

**Σημείωση:** Το πώμα πλήρωσης λαδιού (Α, Εικόνα 13) διαθέτει οπή εξαερισμού (F) και πρέπει να τοποθετείται στο επάνω μέρος του καλύμματος του κιβωτίου ταχυτήτων, όπως απεικονίζεται.

### Μειωτήρας στροφών 2:1 (Εικόνα 14)

Η αλλαγή λαδιού δεν είναι απαραίτητη για τον μειωτήρα στροφών 2:1 (G, Εικόνα 14).

## Έλεγχος του φίλτρου αέρα

Βλ. Εικόνα: 15, 16, 17



### ΠΡΟΕΙΔΟΠΟΙΗΣΗ



Το καύσιμο και οι αναθυμιάσεις του συνιστούν εξαιρετικά εύφλεκτες και εκρηκτικές ουσίες.

Ενδεχόμενη φωτιά ή έκρηξη μπορούν να προκαλέσουν σοβαρά εγκαύματα ή θάνατο.

- Μην θέτετε ποτέ και μην διατηρείτε σε λειτουργία τον κινητήρα όταν έχει αφαιρεθεί το συγκρότημα του φίλτρου αέρα (εφόσον υπάρχει) ή το ίδιο το φίλτρο αέρα (εφόσον υπάρχει).

**ΕΠΙΣΗΜΑΝΣΗ** Μην χρησιμοποιείτε πεπιεσμένο αέρα ή διαλύτες για να καθαρίσετε το φίλτρο. Ο πεπιεσμένος αέρας μπορεί να προκαλέσει βλάβη στο φίλτρο, ενώ οι διαλύτες θα το διαλύσουν.

Για τις απαιτήσεις συντήρησης ανατρέξτε στο **Διάγραμμα Συντήρησης**.

Στα διάφορα μοντέλα χρησιμοποιείται είτε φίλτρο αέρα από αφρώδες υλικό είτε χάρτινο φίλτρο. Ορισμένα μοντέλα ενδέχεται να διαθέτουν επίσης προφίλτρο το οποίο πλένεται και επαναχρησιμοποιείται. Συγκρίνετε τις εικόνες αυτού του εγχειριδίου με τον τύπο φίλτρου που είναι εγκατεστημένος στον κινητήρα σας και ξεκινήστε τον έλεγχο όπως περιγράφεται στη συνέχεια.

## Χάρτινο φίλτρο αέρα

1. Ξεσφίξτε τον(ους) συνδετήρα(ες) (Α, Εικόνα 15, 16).
2. Ανοίξτε το κάλυμμα (B, Εικόνα 15, 16).
3. Αφαιρέστε το προφίλτρο (C, Εικόνα 15, 16), εάν υπάρχει, και το φίλτρο (D).
4. Για να απομακρύνετε τα υπολείμματα, χτυπήστε ελαφρά το φίλτρο (D, Εικόνα 15, 16) σε σκληρή επιφάνεια. Εάν το φίλτρο είναι πολύ βρόμικο, αντικαταστήστε το με ένα καινούργιο.
5. Πλύνετε το προφίλτρο (C, Εικόνα 15, 16), εάν υπάρχει, με υγρό απορρυπαντικό και νερό. Αφήστε το προφίλτρο να στεγνώσει καλά στον αέρα. **Μην** λιπαίνετε το προφίλτρο.
6. Εγκαταστήστε το στεγνό προφίλτρο (C, Εικόνα 15, 16), εάν υπάρχει, στο φίλτρο (D) φροντίζοντας ώστε το χείλος (G) του προφίλτρου να βρίσκεται κάτω από τις πτυχώσεις του φίλτρου.
7. Τοποθετήστε το φίλτρο (D, Εικόνα 15, 16).
8. Στα μοντέλα που είναι εξοπλισμένα με το φίλτρο αέρα που απεικονίζεται στην Εικόνα 15, τοποθετήστε τις προεξοχές του καλύμματος (E) στις υποδοχές (F).
9. Τοποθετήστε το κάλυμμα (B, Εικόνα 15, 16) και ασφαλίστε με τον(ους) συνδετήρα(ες) (Α).

## Χάρτινο φίλτρο αέρα

1. Ξεσφίξτε τον(ους) συνδετήρα(ες) (Α, Εικόνα 17).
2. Ανοίξτε το κάλυμμα (B, Εικόνα 17).
3. Αφαιρέστε το προφίλτρο (C, Εικόνα 17), εάν υπάρχει, από το φίλτρο (D).
4. Για να απομακρύνετε τα υπολείμματα, χτυπήστε ελαφρά το φίλτρο (D, Εικόνα 17) σε σκληρή επιφάνεια. Εάν το φίλτρο είναι πολύ βρόμικο, αντικαταστήστε το με ένα καινούργιο.
5. Αφαιρέστε το προφίλτρο (C, Εικόνα 17), εάν υπάρχει, από το φίλτρο (D).
6. Πλύνετε το προφίλτρο (C, Εικόνα 17), εάν υπάρχει, με υγρό απορρυπαντικό και νερό. Αφήστε το προφίλτρο να στεγνώσει καλά στον αέρα. **Μην** λιπαίνετε το προφίλτρο.
7. Συναρμολογήστε το στεγνό προφίλτρο (C, Εικόνα 17), εάν υπάρχει, στο φίλτρο (D).
8. Τοποθετήστε το φίλτρο (D, Εικόνα 17) και το προφίλτρο (C), εάν υπάρχει, στη βάση (E) και, στη συνέχεια, στη ράβδο (F). Βεβαιωθείτε ότι το φίλτρο εφαρμόζει σταθερά στη βάση του.
9. Τοποθετήστε το κάλυμμα του φίλτρου αέρα (B, Εικόνα 17) και ασφαλίστε με τον(ους) συνδετήρα(ες) (Α). Βεβαιωθείτε ότι ο(οι) συνδετήρες είναι σφικτός(οί).

## Έλεγχος συστήματος τροφοδοσίας καυσίμου

Βλ 18, 19



### ΠΡΟΕΙΔΟΠΟΙΗΣΗ



Το καύσιμο και οι αναθυμιάσεις του συνιστούν εξαιρετικά εύφλεκτες και εκρηκτικές ουσίες.

Ενδεχόμενη φωτιά ή έκρηξη μπορούν να προκαλέσουν σοβαρά εγκαύματα ή θάνατο.

- Φροντίστε ώστε η βενζίνη να μην έρχεται σε επαφή με σπινθήρες, γυμνές φλόγες, ενδεικτικές λυχνίες, θερμότητα, και άλλες πηγές ανάφλεξης.
- Ελέγχετε συχνά τις σωληνώσεις καυσίμου, το δοχείο καυσίμου, το πώμα και τα εξαρτήματα για ρωγμές και διαρροές. Προβείτε σε αντικαταστάσεις εάν είναι απαραίτητο.
- Πριν καθαρίσετε το φίλτρο καυσίμου, αδειάστε τη δεξαμενή καυσίμου ή κλείστε τη βαλβίδα παροχής καυσίμου.
- Εάν χυθεί καύσιμο, περιμένετε έως ότου εξατμιστεί προτού να προβείτε σε εκκίνηση του κινητήρα.
- Τα ανταλλακτικά πρέπει να είναι ίδια και να τοποθετούνται στην ίδια θέση με τα αυθεντικά εξαρτήματα.

## Φίλτρο Καυσίμου, εάν υπάρχει

1. Πριν καθαρίσετε ή αντικαταστήσετε το φίλτρο καυσίμου (Α, εικόνα 18), αδειάστε το ντεπόζιτο καυσίμου ή κλείστε τη βαλβίδα παροχής καυσίμου. Σε διαφορετική περίπτωση, μπορεί να υπάρξει διαρροή καυσίμου και πρόκληση φωτιάς ή έκρηξης.
2. Με μια πένσα ωθήστε τις ωτίδες (Β, Εικόνα 18) στους σφιγκτήρες (C) και, εν συνεχεία, απομακρύνετε τους σφιγκτήρες από το φίλτρο καυσίμου (Α). Συστρέψτε και απομακρύνετε τις σωληνώσεις καυσίμου (D) από το φίλτρο καυσίμου.
3. Ελέγξτε τις σωληνώσεις καυσίμου (D, Εικόνα 18) για ρωγμές ή διαρροές. Προβείτε σε αντικαταστάσεις εάν είναι απαραίτητο.
4. Αντικαταστήστε το φίλτρο καυσίμου (Α, εικόνα 18) με αυθεντικό φίλτρο.
5. Στερεώστε τις σωληνώσεις καυσίμου (D, εικόνα 18) με σφιγκτήρες (C) όπως υποδεικνύεται.

## Φίλτρο υπολειμμάτων καυσίμου, εάν υπάρχει

1. Αφαιρέστε το πώμα του δοχείου καυσίμου (Α, Εικόνα 19).
2. Αφαιρέστε το φίλτρο καυσίμου (Β, Εικόνα 19).
3. Εάν το φίλτρο είναι βρώμικο, καθαρίστε ή αντικαταστήστε το. Εάν αντικαταστήσετε το φίλτρο καυσίμου, βεβαιωθείτε ότι χρησιμοποιείτε γνήσιο ανταλλακτικό.

## Σέρβις Συστήματος ψύξης



**ΠΡΟΕΙΔΟΠΟΙΗΣΗ**

Η λειτουργία των κινητήρων παράγει θερμότητα. Τα εξαρτήματα του κινητήρα, και ιδιαίτερα ο σιγαστήρας, αποκτούν εξαιρετικά υψηλές θερμοκρασίες.

Τυχόν επαφή μπορεί να προκαλέσει σοβαρά εγκαύματα.

Υπολείμματα καυσίμων υλών, όπως φύλλα, γρασίδι, φύλλα θάμνων, κλπ. μπορούν να πιάνουν φωτιά.

- Μην αγγίζετε το σιγαστήρα, τον κύλινδρο του κινητήρα και τα πτερύγια όσο είναι ακόμη θερμά.
- Απομακρύνετε τα συσσωρευμένα υπολείμματα από την περιοχή του σιγαστήρα και του κυλίνδρου.

**ΕΠΙΣΗΜΑΝΣΗ** Μη χρησιμοποιείτε νερό για να καθαρίσετε τον κινητήρα. Υπάρχει κίνδυνος το νερό να μολύνει το σύστημα τροφοδοσίας καυσίμου. Χρησιμοποιείτε βούρτσα ή στεγνό πανί για να καθαρίσετε τον κινητήρα.

Ο κινητήρας αυτός είναι αερόψυκτος. Οι σκόνης και τα διάφορα υπολείμματα μπορούν να περιορίσουν την παροχή αέρα και να προκαλέσουν υπερθέρμανση του κινητήρα, με αποτέλεσμα τη χαμηλή απόδοση και τη μείωση της διάρκειας ζωής του.

1. Χρησιμοποιήστε βούρτσα ή στεγνό πανί για να αφαιρέσετε τα υπολείμματα από την περιοχή αναρρόφησης αέρα.
2. Διατηρείτε τους συνδέσμους, τα ελατήρια και τους διακόπτες καθαρά.
3. Φροντίστε η περιοχή γύρω και πίσω από το σιγαστήρα, αν υπάρχει, να διατηρείται καθαρή από εύφλεκτα υπολείμματα.
4. Βεβαιωθείτε ότι δεν υπάρχουν ακαθαρσίες και υπολείμματα στα πτερύγια του ψύκτη λαδιού, εφόσον υπάρχουν.

Μετά από κάποιο χρονικό διάστημα, υπάρχει περίπτωση να συσσωρευτούν διάφορα υπολείμματα στα πτερύγια ψύξης του κυλίνδρου και να προκαλέσουν υπερθέρμανση του κινητήρα. Τα υπολείμματα αυτά δεν μπορούν να αφαιρεθούν χωρίς μερική αποσυαρμολόγηση του κινητήρα. Αναθέστε τον έλεγχο και τον καθαρισμό του αερόψυκτου συστήματος σε εξουσιοδοτημένο αντιπρόσωπο της Briggs & Stratton, όπως συνιστάται στο **Διάγραμμα Συντήρησης**.

## Αποθήκευση



**ΠΡΟΕΙΔΟΠΟΙΗΣΗ**

Το καύσιμο και οι αναθυμιάσεις του αποτελούν εξαιρετικά εύφλεκτες και εκρηκτικές ουσίες.

Σε περίπτωση πυρκαγιάς ή έκρηξης υπάρχει κίνδυνος πρόκλησης σοβαρών εγκαυμάτων ή ακόμη και θανάτου.

Για την αποθήκευση καυσίμου ή εξοπλισμού με καύσιμο στο ντεπόζιτο

- Αποθηκεύετε μακριά από φούρνους, θερμάστρες, θερμαντήρες νερού ή άλλες συσκευές που χρησιμοποιούν πιλοτική φλόγα ή άλλες πηγές ανάφλεξης, επειδή μπορούν να προκαλέσουν ανάφλεξη των αναθυμιάσεων καυσίμου.

## Σύστημα καυσίμου

Βλ. εικόνα: 20

Αποθηκεύστε τον κινητήρα σε οριζόντια θέση (κανονική θέση λειτουργίας). Γεμίστε το ντεπόζιτο καυσίμου (Α, Εικόνα 20) με καύσιμο. Για να υπάρχει αρκετός χώρος όταν διασταλεί το καύσιμο, μην γεμίζετε το ντεπόζιτο καυσίμου επάνω από το στόμιό του (Β).

Το καύσιμο ενδέχεται να ξεθυμάνει αν μείνει αποθηκευμένο για περισσότερες από 30 μέρες. Όταν ξεθυμάνει το καύσιμο, εναποτίθενται οξέα και ρητίνες στο σύστημα καυσίμου ή σε νευραλικά εξαρτήματα του καρμπυρατέρ. Για να διατηρείται το καύσιμο σε καλή κατάσταση, χρησιμοποιείτε το **προηγμένης σύνθεσης βελτιωτικό και σταθεροποιητικό καυσίμου της Briggs & Stratton**, που διατίθεται οπουδήποτε πωλούνται γνήσια ανταλλακτικά της Briggs & Stratton.

Αν προσθέσετε σταθεροποιητή καυσίμου σύμφωνα με τις οδηγίες, δεν χρειάζεται αποστράγγιση της βενζίνης από τον κινητήρα. Προτού αποθηκεύσετε τον κινητήρα, αφήστε τον να λειτουργήσει επί δύο (2) λεπτά για να κυκλοφορήσει ο σταθεροποιητής σε όλο το σύστημα καυσίμου.

Αν δεν προσθέσετε σταθεροποιητή καυσίμου στη βενζίνη που περιέχει ο κινητήρας, πρέπει να την αποστραγγίσετε σε εγκεκριμένο δοχείο. Αφήστε τον κινητήρα σε λειτουργία ωστού συσταμάτσει λόγω εξάντλησης του καυσίμου. Συνιστάται η χρήση σταθεροποιητή καυσίμου στο δοχείο αποθήκευσης για να διατηρείται φρέσκο το καύσιμο.

## Λάδι κινητήρα

Αλλάζετε το λάδι του κινητήρα όταν ο κινητήρας είναι ακόμη ζεστός. Δείτε την ενότητα **Αλλαγή λαδιού κινητήρα**.

## Ανίχνευση Βλαβών

Για βοήθεια, απευθυνθείτε στον τοπικό σας αντιπρόσωπο ή επισκεφθείτε την ηλεκτρονική διεύθυνση **BRIGGSandSTRATTON.com** ή καλέστε στον αριθμό **1-800-233-3723** (στις ΗΠΑ).

## Προδιαγραφές

Μοντέλο: 120000	
Κυβισμός	12.48 ci (205 cc)
Εσωτερική διάμετρος	2.688 in (65,28 mm)
Διαδρομή εμβόλου	2.200 in (55,88 mm)
Χωρητικότητα λαδιού	18 - 20 oz (.54 - .59 L)
Τύπος λαδιού μειωτήρα	80W-90
Χωρητικότητα λαδιού μειωτήρα	4 oz (0,12 L)
Διάκενο μπουζί	.030 in (.76 mm)
Ροπή σύσφιξης μπουζί	180 lb-in (20 Nm)
Διάκενο μεταξύ επαγωγίμου και επαγωγέως	.010 - .014 in (.25 - .36 mm)
Διάκενο βαλβίδας εισαγωγής	.004 - .006 in (.10 - .15 mm)
Διάκενο βαλβίδας εξαγωγής	.009 - .011 in (.23 - .28 mm)

Μοντέλο: 150000	
Κυβισμός	15.24 ci (250 cc)
Εσωτερική διάμετρος	2.970 in (75,44 mm)
Διαδρομή εμβόλου	2.200 in (55,88 mm)
Χωρητικότητα λαδιού	18 - 20 oz (.54 - .59 L)
Τύπος λαδιού μειωτήρα	80W-90
Χωρητικότητα λαδιού μειωτήρα	4 oz (0,12 L)
Διάκενο μπουζί	.030 in (.76 mm)
Ροπή σύσφιξης μπουζί	180 lb-in (20 Nm)
Διάκενο μεταξύ επαγωγίμου και επαγωγέως	.010 - .014 in (.25 - .36 mm)
Διάκενο βαλβίδας εισαγωγής	.004 - .006 in (.10 - .15 mm)
Διάκενο βαλβίδας εξαγωγής	.009 - .011 in (.23 - .28 mm)

Μοντέλο: 200000	
Κυβισμός	15.63 ci (305 cc)
Εσωτερική διάμετρος	3.120 in (79,24 mm)
Διαδρομή εμβόλου	2.438 in (61,93 mm)

Μοντέλο: 200000	
Χωρητικότητα λαδιού	26 - 28 oz (,77 - ,83 L)
Τύπος λαδιού μειωτήρα	SAE 30
Χωρητικότητα λαδιού μειωτήρα	12 oz (,35 L)
Διάκενο μπουζί	.030 in (,76 mm)
Ροπή σύσφιξης μπουζί	180 lb-in (20 Nm)
Διάκενο μεταξύ επαγωγίμου και επαγωγέως	.008 - .012 in (,20 - ,30 mm)
Διάκενο βαλβίδας εισαγωγής	.004 - .006 in (,10 - ,15 mm)
Διάκενο βαλβίδας εξαγωγής	.004 - .006 in (,10 - ,15 mm)

Μοντέλο: 210000	
Κυβισμός	20.85 ci (342 cc)
Εσωτερική διάμετρος	3.300 in (83,81 mm)
Διαδρομή εμβόλου	2.438 in (61,93 mm)
Χωρητικότητα λαδιού	26 - 28 oz (,77 - ,83 L)
Τύπος λαδιού μειωτήρα	SAE 30
Χωρητικότητα λαδιού μειωτήρα	12 oz (,35 L)
Διάκενο μπουζί	.030 in (,76 mm)
Ροπή σύσφιξης μπουζί	180 lb-in (20 Nm)
Διάκενο μεταξύ επαγωγίμου και επαγωγέως	.008 - .012 in (,20 - ,30 mm)
Διάκενο βαλβίδας εισαγωγής	.004 - .006 in (,10 - ,15 mm)
Διάκενο βαλβίδας εξαγωγής	.004 - .006 in (,10 - ,15 mm)

Η ισχύς του κινητήρα μειώνεται κατά 3,5% ανά 300 μέτρα επάνω από το επίπεδο της θάλασσας και κατά 1% ανά 5,6° C (10° F) επάνω από τους 25° C (77° F) Ο κινητήρας λειτουργεί ικανοποιητικά σε γωνία έως 15°. Για τα επιτρεπόμενα όρια ασφαλείας λειτουργίας σε επικλινές έδαφος, ανατρέξτε στο εγχειρίδιο χρήσης του εξοπλισμού.

Ανταλλακτικά - Μοντέλο: 120000, 150000, 200000, 210000	
Ανταλλακτικό	Αριθμός ανταλλακτικού
Επίπεδο φίλτρο αέρα	491588, 5043
Επίπεδο προφίλτρο φίλτρο αέρα	493537, 5064
Ωσειδές φίλτρο αέρα (Μοντέλα 120000, 150000)	697029, 5059
Ωσειδές προφίλτρο φίλτρο αέρα (Μοντέλα 120000, 150000)	273356
Ωσειδές φίλτρο αέρα (Μοντέλα 200000, 210000)	695302
Ωσειδές προφίλτρο φίλτρο αέρα (Μοντέλα 200000, 210000)	695303
Φίλτρο καυσίμου	694485
Υψηλής απόδοσης φόρμουλα καυσίμου και σταθεροποιητής	100117, 100120
Μπουζί με αντίσταση	491055
Μπουζί από πλατίνα μεγάλης διάρκειας	5066
Μπουζόκλειδο	89838, 5023
Δοκιμαστής σπινθέρων	19368

Για κάθε εργασία συντήρησης και σέρβις του κινητήρα και των εξαρτημάτων του σας συνιστούμε να επισκεπτεστε εξουσιοδοτημένο αντιπρόσωπο της Briggs & Stratton.

**Ονομαστικές τιμές ισχύος:** Η ονομαστική τιμή της ολικής ισχύος για μεμονωμένα μοντέλα βενζινοκινητήρων επισημαίνεται σύμφωνα με τον κώδικα J1940 για τη Διαδικασία καθορισμού της ονομαστικής ισχύος και ροπής στρέψης μικρών κινητήρων της SAE (Ενωση μηχανικών οχημάτων) και έχει υπολογιστεί σύμφωνα με τον κώδικα J1995 της SAE. Οι τιμές της ροπής στρέψης προκύπτουν στις 2.600 σ.α.λ. για τους κινητήρες όπου αναγράφονται οι "σ.α.λ." στην ετικέτα και στις 3.060 σ.α.λ. για όλους τους υπόλοιπους. Οι τιμές ιπποδύναμης προκύπτουν στις 3.600 σ.α.λ. Μπορείτε να δείτε τις καμπύλες ολικής ισχύος στη διεύθυνση [www.BRIGGSandSTRATTON.COM](http://www.BRIGGSandSTRATTON.COM). Οι τιμές ωφέλιμης ισχύος μετρώνται με τοποθετημένη εξάτμιση και φίλτρο αέρα, ενώ οι τιμές ολικής ισχύος λαμβάνονται χωρίς αυτά τα προσαρτήματα. Η πραγματική ολική ισχύς του κινητήρα θα είναι υψηλότερη από την ωφέλιμη ισχύ και ετηρεάζεται, μεταξύ άλλων παραγόντων, από τις περιβαλλοντικές συνθήκες λειτουργίας και από τις διαφορές μεταξύ των κινητήρων. Δεδομένης της ευρείας γκάμας των προϊόντων στα οποία τοποθετούνται οι κινητήρες, ο βενζινοκινητήρας ενδέχεται να μην αναπτύσσει την ονομαστική ολική ισχύ όταν χρησιμοποιείται σε συγκεκριμένο εξοπλισμό. Η διαφορά αυτή οφείλεται σε μια ποικιλία παραγόντων που περιλαμβάνει, ενδεικτικά, τα διάφορα στοιχεία του κινητήρα (φίλτρο αέρα, εξάτμιση, τροφοδότηση, ψύξη, καρμπυρατέρ, αντλία καυσίμου, κλπ.), τους περιορισμούς εφαρμογής, τις περιβαλλοντικές

συνθήκες λειτουργίας (θερμοκρασία, υγρασία, υψόμετρο) και τις διαφορές μεταξύ των κινητήρων. Λόγω περιορισμών στην παραγωγή και στις δυνατότητες, η Briggs & Stratton μπορεί να χρησιμοποιήσει κινητήρα υψηλότερης ονομαστικής ισχύος αντί για τον συγκεκριμένο κινητήρα.

## Εγγύηση

### Εγγύηση κινητήρων της Briggs & Stratton

Ισχύει από Ιανουάριο 2017

#### Περιορισμένη εγγύηση

Η Briggs & Stratton εγγυάται ότι, κατά τη διάρκεια της περιόδου εγγύησης που καθορίζεται παρακάτω, θα επισκευάσει ή θα αντικαταστήσει χωρίς καμία χρέωση κάθε εξάρτημα που θα διαπιστωθεί ότι είναι ελαττωματικό λόγω υλικών ή κακοτεχνίας ή και για τους δύο αυτούς λόγους. Τα εξόδα μεταφοράς για τα προϊόντα που αποστέλλονται για επισκευή ή αντικατάσταση στο πλαίσιο της παρούσας εγγύησης επιβαρύνουν τον αγοραστή. Η παρούσα εγγύηση ισχύει για τα χρονικά διαστήματα και υπό τους όρους που αναφέρονται παρακάτω. Για παροχή υπηρεσιών στο πλαίσιο της εγγύησης, εντοπίστε τον πλησιέστερο εξουσιοδοτημένο αντιπρόσωπο σέρβις στον χάρτη εντοπισμού των αντιπροσώπων μας στην ιστοσελίδα [BRIGGSandSTRATTON.COM](http://BRIGGSandSTRATTON.COM). Ο αγοραστής πρέπει να επικοινωνήσει με τον εξουσιοδοτημένο αντιπρόσωπο σέρβις και, στη συνέχεια, να του παρουσιάσει το προϊόν για έλεγχο και δοκιμή.

**Δεν υπάρχει άλλη ρητή εγγύηση. Οι έμμεσες εγγυήσεις, συμπεριλαμβανομένων και των εγγυήσεων εμπορευσιμότητας και καταλληλότητας για συγκεκριμένο σκοπό, περιορίζονται στην περίοδο της εγγύησης που αναφέρεται παρακάτω στον βαθμό που επιτρέπεται από τον νόμο.** Οι ευθύνες για ακούσια ή αποθετική ζημία εξαιρούνται στον βαθμό που επιτρέπεται από την ισχύουσα νομοθεσία. Ορισμένες πολιτείες ή χώρες δεν επιτρέπουν περιορισμούς όσον αφορά τη διάρκεια των σιωπηρών εγγυήσεων και ορισμένες πολιτείες ή χώρες δεν επιτρέπουν την εξαιρέση ή τον περιορισμό της ακούσιας ή αποθετικής ζημιάς και, συνεπώς, ο περιορισμός και η εξαιρέση που προαναφέρονται μπορεί να μην ισχύουν για σας. Αυτή η εγγύηση σας παρέχει ειδικά νομικά δικαιώματα και, ενδεχομένως, και άλλα δικαιώματα που διαφέρουν από πολιτεία σε πολιτεία και από χώρα σε χώρα <sup>4</sup>.

### Βασικοί Όροι Εγγύησης 1, 2, 3

Μάρκα / Τύπος προϊόντος	Καταναλωτική χρήση	Επαγγελματική χρήση
Vanguard™, Επαγγελματική σειρά	36 μήνες	36 μήνες
Κινητήρες που διαθέτουν χιτώνια από χυτοσίδηρο Dura-Bore™	24 μήνες	12 μήνες
Όλοι οι λοιποί κινητήρες	24 μήνες	3 μήνες

<sup>1</sup> Αυτοί είναι οι βασικοί όροι εγγύησης που παρέχει η εταιρεία μας αλλά, κατά περίπτωση, μπορεί να υπάρχουν πρόσθετες καλύψεις οι οποίες δεν προσδιορίζονται κατά τη δημοσίευση της εγγύησης. Για τους όρους εγγύησης που ισχύουν για τον κινητήρα σας, ανατρέξτε στην ιστοσελίδα [BRIGGSandSTRATTON.COM](http://BRIGGSandSTRATTON.COM) ή επικοινωνήστε με τον τοπικό εξουσιοδοτημένο αντιπρόσωπο σέρβις της Briggs & Stratton.

<sup>2</sup> Δεν υπάρχει εγγύηση για κινητήρες σε εξοπλισμό που χρησιμοποιείται για κύρια παροχή ρεύματος στη θέση ρεύματος από οργανισμό κοινής ωφελείας ή για γεννήτριες σε αναμονή που χρησιμοποιούνται για επαγγελματικούς σκοπούς. Οι κινητήρες που χρησιμοποιούνται σε αγώνες ή σε επαγγελματικής χρήσης ή ενοικιαζόμενα αυτοκίνητα, δεν καλύπτονται από την εγγύηση.

<sup>3</sup> Κινητήρας Vanguard εγκατεστημένος σε γεννήτριες αναμονής: 24 μήνες εγγύηση για χρήση από ιδιώτη, χωρίς εγγύηση για επαγγελματική χρήση. Κινητήρας Vanguard εγκατεστημένος σε οχήματα γενικής χρήσης: 24 μήνες εγγύηση για χρήση από ιδιώτη, 24 μήνες εγγύηση για επαγγελματική χρήση. Για τις σειρές για επαγγελματική χρήση με ημερομηνία κατασκευής πριν τον Ιούλιο 2017, 24 μήνες εγγύηση για χρήση από ιδιώτη, 24 μήνες εγγύηση για επαγγελματική χρήση.

<sup>4</sup> Στην Αυστραλία - Τα προϊόντα μας συνοδεύονται από εγγυήσεις που δεν επιτρέπουν εξαιρέσεις βάσει του Αυστραλιανού Νόμου περί του Καταναλωτή. Δικαιούστε αντικατάσταση ή επιστροφή χρημάτων σε περίπτωση σοβαρής βλάβης και αποζημίωση σε περίπτωση οποιασδήποτε άλλης ευλόγως προβλέψιμης απώλειας ή βλάβης. Δικαιούστε επίσης επισκευή ή αντικατάσταση των προϊόντων, εάν η ποιότητα των προϊόντων είναι μη αποδεκτή, ακόμα και εάν η βλάβη δεν είναι σοβαρή. Για παροχή υπηρεσιών εντός εγγύησης, εντοπίστε τον πλησιέστερο εξουσιοδοτημένο αντιπρόσωπο σέρβις στον χάρτη εντοπισμού των αντιπροσώπων μας στην ιστοσελίδα [BRIGGSandSTRATTON.COM](http://BRIGGSandSTRATTON.COM) ή καλέστε στο 1300 274 447 ή στείλτε μας e-mail στη διεύθυνση [salesenquires@briggsandstratton.com.au](mailto:salesenquires@briggsandstratton.com.au), ή στείλτε μας επιστολή στη διεύθυνση Briggs & Stratton Australia Pty Ltd, 1 Moorebank Avenue, NSW, Australia, 2170.

Η περίοδος εγγύησης αρχίζει από την αρχική ημερομηνία αγοράς από τον πρώτο πελάτη λιανικής πώλησης ή επαγγελματία καταναλωτή. «Καταναλωτική χρήση» σημαίνει προσωπική, κατ'οίκον χρήση από καταναλωτή προϊόντων λιανικού. Ο όρος «επαγγελματική χρήση» καλύπτει κάθε άλλη χρήση, συμπεριλαμβανομένης της χρήσης για σκοπούς εμπορίας, παραγωγής εισοδήματος ή ενοικίασης. Εφόσον ένας κινητήρας έχει χρησιμοποιηθεί για επαγγελματικούς σκοπούς, στο πλαίσιο της παρούσας εγγύησης, θα θεωρείται ως κινητήρας επαγγελματικής χρήσης.

**Φυλάξτε την απόδειξη αγοράς. Εάν δεν προσκομίσετε αποδεικτικό της αρχικής αγοράς τη στιγμή της αίτησης για επισκευή βάσει της εγγύησης, ο προσδιορισμός της περιόδου εγγύησης θα βασιστεί στην ημερομηνία κατασκευής του προϊόντος. Η δήλωση του προϊόντος δεν είναι απαραίτητη για να δικαιούστε υπηρεσίες εγγύησης για τα προϊόντα της Briggs & Stratton.**

#### **Σχετικά με την εγγύησή σας**

Αυτή η περιορισμένη εγγύηση καλύπτει ελαττωματικό υλικό ή/και εργασία σε σχέση με τον κινητήρα μόνο και όχι αντικατάσταση ή επιστροφή χρημάτων για το μηχάνημα πάνω στο οποίο ενδέχεται να είναι τοποθετημένος ο κινητήρας. Η τακτική συντήρηση, τα σέρβις, οι ρυθμίσεις και η κανονική φθορά δεν καλύπτονται από αυτή την εγγύηση. Παρομοίως, η εγγύηση δεν έχει εφαρμογή αν έχουν γίνει αλλαγές ή τροποποιήσεις στον κινητήρα ή αν έχει καταστεί δυσανάγνωστος ή έχει αφαιρεθεί ο αριθμός σειράς του κινητήρα. Αυτή η εγγύηση δεν καλύπτει ζημιές ή προβλήματα απόδοσης του κινητήρα που προκλήθηκαν από:

1. Τη χρήση ανταλλακτικών που δεν είναι γνήσια ανταλλακτικά Briggs & Stratton.
2. Τη λειτουργία του κινητήρα με ανεπαρκές, μολυσμένο ή λανθασμένου τύπου λάδι λίπανσης.
3. Τη χρήση μολυσμένου ή παλιού καυσίμου, βενζίνης που περιέχει περισσότερο από 10% αιθανόλη ή τη χρήση εναλλακτικών καυσίμων όπως υγροποιημένου αερίου πετρελαίου ή φυσικού αερίου σε κινητήρες που δεν έχουν αρχικά σχεδιαστεί/κατασκευαστεί από την Briggs & Stratton για να λειτουργούν με τέτοια καύσιμα.
4. Ακαθαρσίες που μπορεί να έχουν διεισδύσει στον κινητήρα λόγω ακατάλληλης συντήρησης ή επανατοποθέτησης του φίλτρου αέρα.
5. Χτύπημα αντικειμένου με την κοπτική λεπίδα περιστροφικής μηχανής κουρέματος γρασιδιού ή από ακατάλληλη τοποθέτηση προσαρμογέων λεπίδας, φτερωτών ή άλλων διατάξεων που συνδέονται με το στροφαλοφόρο άξονα ή από υπερβολική σύσφιξη των τραπεζοειδών ιμάντων.
6. Σχετιζόμενα εξαρτήματα ή συγκροτήματα όπως συμπλέκτες, συστήματα γραναζιών μετάδοσης κίνησης, χειριστήρια εξοπλισμού κλπ, τα οποία δεν παρέχονται από την Briggs & Stratton.
7. Υπερθέρμανση λόγω υπολειμμάτων κοπής γρασιδιού, ακαθαρσιών και υπολειμμάτων ή λόγω φωλιών τρωκτικών που προκαλούν απόφραξη ή περιορισμό ροής στα πτερύγια ψύξης ή στην περιοχή σφονδύλου ή σε λειτουργία του κινητήρα χωρίς επαρκή αερισμό.
8. Υπερβολικούς κραδασμούς λόγω υπερβολικής ταχύτητας λειτουργίας, λασκαρισμένης βάσης κινητήρα, λασκαρισμένων ή εκτός ζυγοστάθμισης κοπτικών λεπίδων ή φτερωτών ή σε ακατάλληλη σύζευξη μερών του εξοπλισμού με το στροφαλοφόρο άξονα.
9. Κακή χρήση, έλλειψη τακτικής συντήρησης, αποστολή, χειρισμό ή αποθήκευση εξοπλισμού ή σε ακατάλληλη εγκατάσταση του κινητήρα.

**Το σέρβις βάσει της εγγύησης είναι διαθέσιμο μόνο μέσω των εξουσιοδοτημένων αντιπροσώπων σέρβις της Briggs & Stratton. Βρείτε τον πλησιέστερο εξουσιοδοτημένο αντιπρόσωπο σέρβις στον χάρτη αναζήτησης των αντιπροσώπων στο BRIGGSandSTRATTON.COM ή καλώντας το 1-800-233-3723 (στις ΗΠΑ).**

80004537 (Rev. C)



Este manual contiene información de seguridad para advertirle sobre los peligros y riesgos asociados con el cortacésped y cómo evitarlos. También incluye instrucciones para el uso y el cuidado correctos del motor. Dado que Briggs & Stratton Corporation no sabe exactamente con qué equipo se utilizará este motor, es importante que lea atentamente estas instrucciones y las instrucciones del equipo. **Conserve estas instrucciones para poder consultarlas en el futuro.**

**Nota:** Los dibujos e ilustraciones que se incluyen en este manual se ofrecen únicamente como referencia y pueden diferir de su modelo en concreto. Póngase en contacto con su distribuidor si tiene preguntas que formular.

Para repuestos o para recibir asistencia técnica, registre abajo los números de modelo de motor, tipo y código junto con la fecha de compra. Estos números se encuentran en su motor (consulte la sección **Características y Controles**).

Fecha de compra	
Modelo - Tipo - Código	
Número de serie de la unidad	

Busque el código de barras 2D localizado en algunos motores. Cuando se mira con un dispositivo de lectura 2D, el código mostrará nuestro sitio web, desde donde puede acceder a información de soporte para este producto. Se aplica la velocidad de transmisión de datos. Puede que algunos países no tengan disponible información de soporte en línea.



## Seguridad del usuario

### Símbolo de alerta de seguridad y palabras incluidas en señales

El símbolo de alerta de seguridad se utiliza para identificar información de seguridad relacionada con riesgos que puedan provocar una lesión personal. Se utiliza una palabra de señalización (PELIGRO, ADVERTENCIA o ATENCIÓN) junto con el símbolo de alerta para indicar la probabilidad y la posible gravedad de una lesión. Además, se puede utilizar un símbolo de peligro para representar el tipo de riesgo.

**PELIGRO** indica un peligro que, si no se evita, **resultará en muerte o lesión grave.**

**ADVERTENCIA** indica un peligro que, si no se evita, **podría resultar en muerte o lesión grave.**

**ATENCIÓN** indica un peligro que, si no se evita, **podría resultar en lesión menor o moderada.**

**AVISO** indica una situación que **podría provocar daños en el producto.**

### Símbolos de peligro y significados

Símbolo	Significado	Símbolo	Significado
	Información de seguridad sobre peligros que pueden provocar lesiones personales.		Lea atentamente el Manual de instrucciones antes de operar la unidad o de realizar alguna operación de servicio.
	Riesgo de incendio.		Riesgo de explosión
	Riesgo de descarga.		Riesgo de vapores tóxicos

Símbolo	Significado	Símbolo	Significado
	Riesgo de superficies calientes		Riesgo acústico - Recomendado el uso de protección acústica para un uso prolongado.
	Riesgo de piezas despedidas - Utilice protección ocular.		Riesgo de explosión
	Riesgo de congelación		Riesgo de contragolpe
	Riesgo de amputación - piezas en movimiento		Riesgo químico
	Riesgo de calor térmico		Corrosión

## Mensajes de seguridad



### ADVERTENCIA

Ciertos componentes de este producto y de los accesorios relacionados contienen sustancias químicas que el estado de California ha declarado como cancerígenas, productoras de defectos de nacimiento u otros daños reproductivos. Lávese las manos después de manipular estos elementos.



### ADVERTENCIA

El escape del motor de este producto contiene sustancias químicas que el estado de California sabe que causan cáncer, defectos de nacimiento u otros daños reproductivos.



### ADVERTENCIA

Los motores Briggs & Stratton no han sido diseñados ni están destinados para su uso con karts para diversión/recreo, vehículos todoterreno para uso en eventos competitivos (ATVs); motocicletas; productos para aviación o vehículos para uso en eventos competitivos no autorizados por Briggs & Stratton. Para información sobre productos para eventos competitivos, consulte [www.briggsracing.com](http://www.briggsracing.com). Para su uso con vehículos utilitarios y todoterreno side-by-side, póngase en contacto con Briggs & Stratton Engine Application Center, 1-866-927-3349. Un uso inadecuado del motor puede provocar daños graves o incluso la muerte.



### ADVERTENCIA



**El combustible y sus vapores son extremadamente inflamables y explosivos.**

**El fuego o las explosiones pueden causar quemaduras graves o incluso la muerte.**

#### Cuando eche combustible

- Apague el motor y deje que el motor se enfríe durante al menos 2 minutos antes de retirar la tapa de llenado de combustible.
- Llene el tanque de combustible al aire libre en un área bien ventilada.
- No llene demasiado el tanque de combustible. Para permitir que el combustible se expanda, no llene el depósito por encima de la parte inferior del cuello del tanque de combustible.
- Mantenga el combustible alejado de chispas, llamas abiertas, pilotos, calor y otras fuentes de ignición.
- Verifique las líneas de combustible, tanque, tapa y conectores a menudo, para constatar si presentan rajaduras o pérdidas. Cámbielos si es necesario.
- Si se derrama combustible, espere hasta que se evapore para arrancar el motor.

#### Al arrancar el motor

- Asegúrese de que la bujía, el silenciador, el depósito de combustible y el filtro de aire (si se proporcionan) están en su lugar y sujetos.
- No arranque con la manivela el motor con la bujía quitada.
- Si el motor se ahoga, ponga el estrangulador (si se proporciona) en la posición OPEN/RUN (ABIERTO/FUNCIONAMIENTO), mueva el acelerador (si se proporciona) a la posición FAST (RÁPIDO) y arranque con la manivela hasta que el motor arranque.

#### Quando opere el equipo

- NO incline el motor o el equipo con un ángulo que pueda ocasionar derrames de combustible.
- No use el estrangulador para detener el motor.
- Nunca arranque ni ponga el motor en funcionamiento sin el conjunto del filtro de aire (si dispone de él) o sin el filtro de aire (si dispone de él).

#### Quando cambie el aceite

- Si vacía el aceite desde el tubo de llenado de aceite superior, el tanque de combustible debe estar vacío o el combustible podría salir y provocar un incendio o una explosión.

#### Quando se incline la unidad para una operación de mantenimiento

- Cuando realice un trabajo de mantenimiento que requiera inclinar la unidad, el tanque de combustible, si está montado en el motor, debe estar vacío para evitar que se filtre combustible y pueda provocar un incendio o una explosión.

#### Quando transporte el equipo

- Transporte el equipo con el tanque de combustible VACÍO o con la válvula de cierre del combustible en posición CERRADA.

#### Almacenaje de combustible o de equipo con combustible en el tanque

- Almacenar lejos de hornos, estufas, calentadores de agua u otros aparatos que utilicen luces piloto u otras fuentes de encendido ya que estos pueden encender los vapores de gasolina.



**ADVERTENCIA**

**El arranque del motor crea chispas.**

**Las chispas pueden encender gases inflamables cercanos.**

**Podría provocar una explosión o incendio.**

- Si hay una pérdida de gas natural o gas PL en el área, no ponga el motor en marcha.
- No use líquidos de arranque presurizados, ya que los vapores son inflamables.



**ADVERTENCIA**

**PELIGRO DE GAS TÓXICO.** Los gases de escape del motor contienen monóxido de carbono, un gas tóxico que puede matar en cuestión de minutos. NO se puede percibir con la vista, el olfato ni el gusto. Aunque no pueda oler los gases de escape, podría estar expuesto a monóxido de carbono. Si comienza a sentirse mal, mareado o débil cuando use este producto, apáguelo y busque aire fresco INMEDIATAMENTE. Viste a un médico. Puede que se haya intoxicado con monóxido de carbono.

- Ponga en funcionamiento este producto SOLO en el exterior y alejado de ventanas, puertas y respiraderos para reducir el riesgo de que se acumule gas de monóxido de carbono y sea atraído potencialmente hacia espacios ocupados.
- Instale alarmas de monóxido de carbono que funcionen con baterías o alarmas de monóxido de carbono enchufables con batería de seguridad de acuerdo con las instrucciones del fabricante. Las alarmas de incendios no pueden detectar gas de monóxido de carbono.
- NO ponga en funcionamiento este producto en el interior de casas, garajes, sótanos, entresuelos, cobertizos u otros espacios parcialmente cerrados, incluso si utiliza ventiladores o abre puertas y ventanas para ventilar. El monóxido de carbono puede acumularse rápidamente en estos espacios y puede permanecer durante horas, incluso después de que este producto se haya apagado.
- Coloque SIEMPRE este producto a favor del viento y diriga el escape del motor alejado de espacios ocupados.



**ADVERTENCIA**

**La retracción rápida del cable de arranque (el contragolpe) tirará de su mano y su brazo hacia el motor más rápido de lo que imagina.**

**Puede romperse algún hueso, provocar moratones o esguinces.**

- Cuando arranque el motor, tire lentamente del cable de arranque hasta que sienta resistencia y empuje rápidamente para evitar el retroceso rápido.
- Desmonte todo el equipo externo / cargas del motor antes de arrancar el motor.
- Los componentes del equipo de acoplamiento directo como (sin limitarse a ellos) cuchillas, impulsores, poleas, ruedas dentadas, etc., deben estar bien fijados.



**ADVERTENCIA**

**Las piezas giratorias pueden tocar o enredar las manos, pies, cabello, ropa o accesorios.**

**Puede provocarse una amputación traumática o una grave laceración.**

- Opere el equipo con las protecciones montadas.
- Mantenga las manos y los pies lejos de las piezas giratorias.
- Recójase el pelo largo y quítese las joyas.
- No utilice ropa holgada, cordones colgantes u elementos que pudieran quedar atrapados.



**ADVERTENCIA**

**Los motores en funcionamiento producen calor. Las piezas del motor, especialmente el silenciador, se vuelven extremadamente calientes.**

**Pueden producirse quemaduras térmicas graves al contacto.**

**Los residuos combustibles, como hojas, césped, hierbas, etc., se pueden inflamar.**

- Deje que el silenciador, el cilindro del motor y las aletas se enfríen antes de tocarlos.
- Retire los residuos acumulados de la zona del silenciador y del cilindro.
- Constituye una infracción del artículo 4442 del California Public Resource Code utilizar u operar el motor en la proximidades de terrenos boscosos o de rastrojos o que estén cubiertos de hierba a menos que el sistema de escape esté equipado con un dispositivo antichispas, tal y como se define en la Sección 4442, que además se mantenga en un buen estado de funcionamiento. Otros estados o jurisdicciones federales pueden tener leyes similares. Para obtener un supresor de chispas diseñado para el sistema de escape instalado en este motor, acuda al fabricante original del aparato o a un distribuidor.



**ADVERTENCIA**

**Las chispas no deseadas pueden causar un incendio o una descarga eléctrica.**

**El arranque accidental puede provocar enredos, amputaciones traumáticas o laceraciones.**

**Peligro de incendio**

**Antes de hacer ajustes o reparaciones:**

- Desconecte el cable de la bujía y manténgalo alejado de la bujía.
- Desconecte la batería en la terminal negativa (sólo se aplica a motores con arranque electrónico).
- Utilice solo herramientas correctas.
- No aplique fuerza mediante resortes de regulador, enlaces, u otras piezas para aumentar la velocidad del motor.
- Las piezas de reemplazo deben ser las mismas e instalarse en la misma posición que las piezas originales. Otras piezas pueden no funcionar de la misma manera, pueden dañar la unidad, y pueden causar lesiones.
- No golpee el volante con un martillo u un objeto sólido ya que éste puede romperse durante el funcionamiento.

**Quando pruebe si hay chispas:**

- Use un probador de bujías aprobado.
- No revise la chispa si la bujía no está en su sitio.

# Características y controles

## Controles del motor

Compare la ilustración (Figura: 1, 2, 3) con su motor para familiarizarse con la localización de las diversas características y los mandos.

- A. Números de identificación del motor **Modelo - Tipo - Código**
- B. Bujía
- C. Filtro de aire (plano y oval)
- D. Control del estrangulador
- E. Válvula de cierre de combustible (si llevara)
- F. Manilla de la cuerda del motor de arranque
- G. Rejilla de la toma de aire
- H. Control de aceleración (si llevara)
- I. Interruptor de paro (si llevara)
- J. Tanque de combustible y tapón
- K. Varilla medidora larga (si llevara)
- L. Varilla medidora corta (si llevara)
- M. Tapón de drenaje de aceite
- N. Llenado de aceite
- O. Silenciador, protector del silenciador (si llevara), supresor de chispas (si llevara)
- P. Llave de seguridad (modelos con arranque eléctrico)
- Q. Interruptor de encendido y apagado, ON/OFF (modelos con arranque eléctrico)
- R. Reductor de engranajes (si llevara)
- S. Interruptor de llave (modelos con arranque eléctrico)

## Símbolos de control del motor y su significado

Símbolo	Significado	Símbolo	Significado
	Velocidad del motor - FAST, rápida		Velocidad del motor - SLOW, lenta
	Velocidad del motor - STOP, parada		ON - OFF
	Arranque del motor - Estrangulador CERRADO		Arranque del motor - Estrangulador ABIERTO
	Tapa del depósito de combustible Válvula de cierre de combustible - ABIERTA		Válvula de cierre de combustible - CERRADA
	Nivel de combustible - Máximo No llene el depósito en exceso		

## Funcionamiento

### Recomendaciones sobre aceite

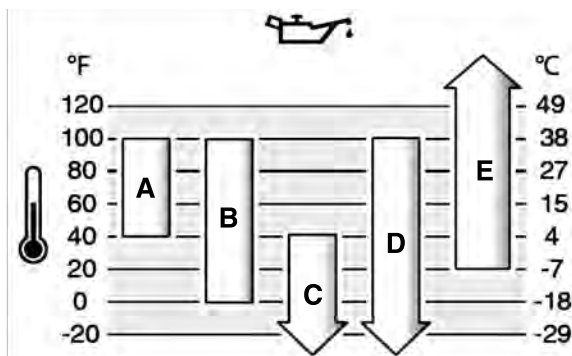
**Capacidad de aceite:** Ver la sección de *Especificaciones*.

### AVISO

Briggs & Stratton envía este producto sin aceite. Es posible que los fabricantes de maquinaria o los distribuidores hayan añadido aceite al motor. Antes de arrancar el motor por primera vez, asegúrese de comprobar el nivel de aceite siguiendo las instrucciones de este manual. Si arranca el motor sin aceite, quedará dañado sin opción a reparación y no estará cubierto por la garantía.

Recomendamos el uso de aceites Briggs & Stratton con garantía certificada para un mejor rendimiento. Otros aceites detergentes de alta calidad son aceptables si están clasificados para servicio SF, SG, SH, SJ o superior. No utilizar aditivos especiales.

Las temperaturas exteriores determinarán la viscosidad adecuada del aceite para el motor. Use la tabla para seleccionar la mejor viscosidad para el margen de temperatura exterior que se espera. La mayoría de motores en equipos de exterior funcionan bien con el aceite sintético 5W-30. Para el uso de equipos en temperaturas altas, el aceite sintético Vanguard™ 15W-50 ofrece la mejor protección.



A	SAE 30 - Con menos de 4 °C, el uso de SAE 30 provocará un arranque difícil.
B	10W-30 - Por encima de los 27 °C, el uso de 10W-30 puede provocar un aumento en el consumo de aceite. Compruebe el nivel de aceite con mayor frecuencia.
C	5W-30
D	Sintético 5W-30
E	Vanguard™ sintético 15W-50

## Comprobar el nivel de aceite

Observe la Figura: 4, 5

### Antes de añadir o comprobar el aceite

- Cerciórese de que la unidad esté nivelada.
- Limpie cualquier suciedad del área de llenado del aceite.

### Tapón del orificio de llenado de aceite, si llevara

1. Retire el tapón del orificio de llenado de aceite (A, Figura 4).
2. Si el nivel del aceite está bajo, añada lentamente aceite por el orificio de llenado de aceite del motor (B, Figura 4). Llène hasta el punto de rebose.
3. Coloque de nuevo el tapón del orificio de llenado de aceite y apriételo (A, Figura 4).

### Varilla medidora corta, si llevara

1. Saque la varilla medidora (C, Figura 4) y límpiela con un paño limpio.
2. Introduzca la varilla medidora (C, Figura 4). **No la gire ni la apriete.**
3. Saque la varilla y compruebe el nivel del aceite. El nivel de aceite correcto se indica en la parte superior de la señal indicadora de lleno (D, Figura 4) de la varilla.
4. Si el nivel del aceite está bajo, añada lentamente aceite por el orificio de llenado de aceite del motor (B, Figura 4). Llène hasta el punto de rebose.
5. Coloque de nuevo la varilla medidora y apriétela (C, Figura 4).

### Varilla medidora larga, si llevara

1. Saque la varilla medidora (A, Figura 5) y límpiela con un paño limpio.
2. Coloque y apriete la varilla medidora (A, Figura 5).
3. Saque la varilla y compruebe el nivel del aceite. El nivel de aceite correcto se indica en la parte superior de la señal indicadora de lleno (B, Figura 5) de la varilla.
4. Si el nivel del aceite está bajo, añada lentamente aceite por el orificio de llenado de aceite del motor (C, Figura 5). **No llene el depósito en exceso.** Después de añadir aceite, espere un minuto y luego vuelva a revisar el nivel de aceite.

5. Coloque de nuevo la varilla medidora y apriétela (A, Figura 5).

## Sistema de protección contra bajo nivel de aceite (si llevara)

Algunos motores llevan un detector de bajo nivel de aceite. Si el nivel de aceite está bajo, el detector activará una luz de advertencia o parará el motor. Pare el motor y realice estas operaciones antes de volver a arrancarlo.

- Cerciórese de que la unidad esté nivelada.
- Compruebe el nivel de aceite. Consulte la sección **Comprobar el nivel de aceite**.
- Si el nivel está bajo, añada la cantidad adecuada de aceite. Arranque el motor y asegúrese de que no se encienda la luz de advertencia (si llevara).
- No arranque el motor si el nivel de aceite es demasiado bajo. Para corregir el problema del aceite, consulte a un distribuidor autorizado de Briggs & Stratton.

## Recomendaciones sobre combustible

El combustible debe cumplir estos requisitos:

- Gasolina en buen estado y sin plomo.
- Un mínimo de 87 octanos/87 AKI (91 RON). Para usos en grandes altitudes, véase abajo.
- También se puede utilizar gasolina con un porcentaje de hasta 10% de etanol (gasohol).

**AVISO** No utilice gasolinas no homologadas, como es el caso de E85. No haga mezclas con las gasolinas ni realice modificaciones en el motor para hacerlo funcionar con otros combustibles. Hacer tal cosa dañaría los componentes del motor y anularía su garantía.

Para proteger el sistema de combustible de la formación de resinas, mezcle un estabilizador de combustible en el combustible. Consulte la sección **Almacenamiento**. No todos los combustibles son iguales. Si tiene problemas durante el arranque o el funcionamiento, cambie de proveedor o marca de combustible. El funcionamiento de este motor con gasolina está certificado. El sistema de control de emisiones para este motor es EM (Modificaciones de motores).

### Gran altitud

A altitudes superiores a los 1.524 metros (5.000 pies), es aceptable una gasolina de 85 octanos/85 AKI (89 RON).

Para motores carburados se requiere el ajuste de gran altitud para mantener su rendimiento. Sin este ajuste, la bomba perderá rendimiento y aumentarán el consumo de combustible y las emisiones. Para información sobre el ajuste especial para gran altitud, consulte a un concesionario autorizado Briggs & Stratton. No se recomienda hacer funcionar el motor con el ajuste para grandes alturas a altitudes inferiores a los 762 metros (2.500 pies).

Para motores EFI (Inyección electrónica de combustible), no es necesario realizar un ajuste de gran altura.

## Adición de combustible

Observe la figura: 6



**ADVERTENCIA** El combustible y sus vapores son extremadamente inflamables y explosivos.

El fuego o las explosiones pueden causar quemaduras graves o incluso la muerte.

### Al añadir combustible

- Apague el motor y deje que se enfríe durante al menos 2 minutos antes de retirar la tapa de llenado de combustible.
  - Llene el tanque de combustible en exteriores en un área bien ventilada.
  - No llene demasiado el tanque de combustible. Para permitir que el combustible se expanda, no llene el depósito por encima de la parte inferior del cuello del tanque de combustible.
  - Mantenga el combustible alejado de chispas, llamas directas, llamas piloto, calor y otras fuentes de ignición.
  - Revise los tubos de combustible, el tanque, la tapa y los conectores a menudo, para constatar si presentan grietas o pérdidas. Cambie si es necesario.
  - Si se derrama combustible, espere hasta que se evapore para arrancar el motor.
1. Limpie el área de la tapa del tanque de combustible. Retire la tapa del combustible.
  2. Llene el tanque de combustible (A, Figura 6) con gasolina. Para permitir que el combustible se expanda, no llene el depósito por encima de la parte inferior del cuello del tanque de combustible (B).
  3. Vuelva a instalar la tapa del combustible.

## Arrancar y parar el motor

Observe la Figura: 7, 8

### Arrancar el motor



**ADVERTENCIA** La retracción rápida del cable de arranque (el contragolpe) tirará de su mano y su brazo hacia el motor más rápido de lo que imagina.

Puede romperse algún hueso, provocar moratones o esguinces.

- Cuando arranque el motor, tire lentamente del cable de arranque hasta que sienta resistencia y empuje rápidamente para evitar el retroceso rápido.



**ADVERTENCIA** El combustible y sus vapores son extremadamente inflamables y explosivos.

El fuego o las explosiones pueden causar quemaduras graves o incluso la muerte.

### Cuando arranque el motor

- Asegúrese que la bujía, el silenciador, la tapa de llenado de combustible (si llevara) y el filtro de aire estén colocados y fijos en su lugar.
- No encienda el motor con la bujía desmontada.
- Si el motor se ahoga, coloque el estrangulador (si llevara) en la posición abrir/marcha, OPEN/RUN, ponga el acelerador (si llevara) en rápido, FAST y gire el motor hasta que arranque.



**ADVERTENCIA** **PELIGRO DE GAS TÓXICO.** Los gases de escape del motor contienen monóxido de carbono, un gas tóxico que puede matar en cuestión de minutos. NO se puede percibir con la vista, el olfato ni el tacto. Aunque no pueda oler los gases de escape, podría estar expuesto a monóxido de carbono. Si comienza a sentirse mal, mareado o débil cuando use este producto, apáguelo y salga a respirar aire puro DE INMEDIATO. Acuda al médico. Puede que se haya intoxicado con monóxido de carbono.

- Utilice este producto EXCLUSIVAMENTE en el exterior, lejos de puertas, ventanas y respiraderos, a fin de reducir el riesgo de que el monóxido de carbono se acumule y penetre en espacios habitados.
- Instale alarmas de detección de monóxido de carbono de pilas o alarmas de detección de monóxido de carbono de alimentación eléctrica con batería de reserva, tal como se indica en las instrucciones del fabricante. Los detectores de humo no detectan el monóxido de carbono.
- NO utilice este producto en hogares, garajes, sótanos, espacios reducidos, cobertizos ni otros lugares parcialmente cerrados aunque haya ventiladores o las puertas y las ventanas están abiertas para facilitar la ventilación. El monóxido de carbono puede acumularse rápidamente en estos espacios y perdurar ahí durante horas, aún después de que este producto se haya apagado.
- Coloque SIEMPRE el producto en la dirección del viento y dirija el tubo de escape del motor en dirección opuesta a cualquier posible espacio habitado.

**AVISO** Este motor fue enviado desde Briggs & Stratton sin aceite. Antes de arrancar el motor, asegúrese de añadir aceite según las instrucciones de este manual. Si arranca el motor sin aceite, resultará dañado, no podrá repararse y los daños no serán cubiertos por la garantía.

**Nota:** El equipo puede llevar controles remotos. Consulte el manual del equipo para conocer la ubicación y el funcionamiento de los controles remotos.

1. Compruebe el aceite. Consulte la sección **Comprobar el nivel del aceite**.
2. Asegúrese de que los controles de mando del equipo, si llevara, estén desembargados.
3. Mueva la válvula de cierre de combustible (A, Figura 7) a la posición abierta.
4. Mueva el control de aceleración (C, Figura 7), si llevara, a la posición de rápido. Haga funcionar el motor en posición de rápido.
5. Mueva el control del estrangulador (B, Figura 7) a la posición de estrangulación.

**Nota:** Normalmente no es necesario estrangular el motor cuando se vuelve a arrancar un motor caliente.

6. Coloque el interruptor de paro (D, Figura 7), si llevara, en posición de encendido, ON.

7. **Arranque de rebobinado, si llevara:** Sostenga firmemente la manilla de la cuerda de arranque (E, Figura 7). Tire de la manilla del cable del motor de arranque lentamente hasta que sienta resistencia, luego tire rápidamente.



#### ADVERTENCIA

La retracción rápida del cable del motor de arranque (retroceso) tirará de su mano y brazo hacia el motor más rápido de lo que imagina. Puede romperse algún hueso, provocar moratones o esguinces. Cuando arranque el motor, tire lentamente del cable de arranque hasta que sienta resistencia y empuje rápidamente para evitar el retroceso rápido.

8. **Arranque eléctrico, si llevara llave de seguridad (F):** Introduzca la llave de seguridad (F, Figura 7). Mantenga pulsado el interruptor de arranque (G). Cuando arranque el motor, suelte el interruptor de arranque.
9. **Arranque eléctrico, si llevara interruptor de llave para automóvil (F):** Gire la llave de encendido (H, Figura 8) a la posición de arranque. Cuando arranque el motor, suelte el interruptor de llave.

**AVISO** Para prolongar la vida del arranque, utilice ciclos de arranque cortos (máximo de cinco segundos). Espere un minuto entre ciclos de arranque.

10. Al ir calentándose el motor, mueva el control estrangulador (B, Figura 7) a la posición de funcionamiento.

**Nota:** Si el motor no arranca tras varios intentos repetidos, acceda a **BRIGGSandSTRATTON.com** o contacte con su concesionario local, o llame al número **1-800-233-3723** (en EE.UU.).

### Parar el motor



#### ADVERTENCIA

**El combustible y sus vapores son extremadamente inflamables y explosivos.**

**El fuego o las explosiones pueden causar quemaduras graves o incluso la muerte.**

- No cebe el carburador para detener el motor.
1. **Control de aceleración, si llevara:** Ponga el control de aceleración (C, Figura 7) en posición de lento y después en posición de parada.
- Interruptor de paro, si llevara:** Ponga el interruptor de paro (D, Figura 7) en posición de parada.
- Llave de seguridad, si llevara:** Saque la llave de seguridad (F, Figura 7) y guárdela en un lugar seguro lejos del alcance de los niños.
- Interruptor de llave, si llevara:** Ponga el interruptor de llave (H, Figura 8) en posición de apagado. Saque la llave y guárdela en un lugar seguro lejos del alcance de los niños.
2. Una vez parado el motor, ponga la válvula de cierre del combustible (A, Figura 7) en posición cerrada.

## Mantenimiento

**AVISO** Si el motor se inclina durante el mantenimiento, el tanque de combustible debe vaciarse y el lateral de la bujía debe estar en vertical. Si no se vacía el tanque de gasolina y el motor se inclina en cualquier otra dirección, es posible que resulte difícil arrancarlo ya que probablemente el aceite o el combustible habrán ensuciado el filtro del aire y/o la bujía.



#### ADVERTENCIA

Quando se realice una operación de mantenimiento que requiera inclinar la unidad, el tanque, si está montado en el motor, debe estar vacío o puede que se filtre combustible y que cause un incendio o una explosión.

Recomendamos que consulte con un concesionario de servicio autorizado Briggs & Stratton para todas las operaciones de mantenimiento y servicio del motor y de sus piezas.

**AVISO** Todos los componentes utilizados para la construcción de este motor deben estar montados para una operación correcta.



#### ADVERTENCIA

**Las chispas no deseadas pueden causar un incendio o una descarga eléctrica.**

**Un arranque involuntario puede ocasionar enredos, amputaciones traumáticas, o laceración.**

**Riesgo de incendio.**

#### Antes de realizar ajustes o reparaciones:

- Desconecte el cable de la bujía y manténgalo alejado de la bujía.
- Desconecte la batería en el polo negativo (sólo se aplica a motores con arranque electrónico).
- Utilice solamente las herramientas apropiadas.
- NO manipule el muelle del regulador, las varillas u otras partes para incrementar el régimen del motor.
- Las piezas de repuesto deben ser las mismas e instalarse en la misma posición que las piezas originales. Otras piezas pueden no funcionar de la misma manera, pueden dañar la unidad, y causar lesiones.
- No golpee el volante con un martillo o un objeto sólido ya que éste puede romperse durante el funcionamiento.

#### Cuando revise la bujía:

- Utilice un probador de bujías que esté homologado.
- No revise la chispa si la bujía no está en su sitio.

## Servicio de control de emisiones

**El mantenimiento, reemplazo o reparación de los dispositivos y sistemas de control de emisiones pueden ser realizados por cualquier establecimiento o persona que repare motores todo terreno.** Sin embargo, para obtener servicio de control de emisiones "sin cargo alguno", esta operación debe ser realizada por un distribuidor autorizado por la fábrica. Consulte la garantía del control de emisiones.

## Programa de mantenimiento

<b>Primeras 5 horas</b>
<ul style="list-style-type: none"> <li>Cambiar el aceite</li> </ul>
<b>Cada 8 horas o a diario</b>
<ul style="list-style-type: none"> <li>Comprobar el nivel del aceite del motor</li> <li>Limpiar el área alrededor del silenciador y los controles</li> <li>Limpiar la rejilla de la toma de aire</li> </ul>
<b>Cada 25 horas o anualmente</b>
<ul style="list-style-type: none"> <li>Limpiar el filtro del aire <sup>1</sup></li> <li>Limpiar el prefiltro (si llevara) <sup>1</sup></li> </ul>
<b>Cada 50 horas o anualmente</b>
<ul style="list-style-type: none"> <li>Cambio del aceite del motor</li> <li>Realizar el mantenimiento del sistema de escape</li> </ul>
<b>Cada 100 horas</b>
<ul style="list-style-type: none"> <li>Cambiar el aceite del reductor de engranajes (si llevara)</li> </ul>
<b>Anualmente</b>
<ul style="list-style-type: none"> <li>Cambiar la bujía</li> <li>Cambiar el filtro de aire</li> <li>Cambiar el prefiltro (si llevara)</li> <li>Cambiar el filtro de combustible (si llevara)</li> <li>Mantenimiento sistema de escape</li> <li>Realizar el mantenimiento del sistema de refrigeración <sup>1</sup></li> <li>Revisar la holgura de la válvula <sup>2</sup></li> </ul>

<sup>1</sup> Limpiar más a menudo en condiciones de mucho polvo o con partículas suspendidas.

<sup>2</sup> No es necesario a menos que se detecten problemas de rendimiento en el motor.

## Carburador y velocidad del motor

No ajuste la velocidad del carburador ni del motor. El carburador ha sido ajustado con valores de fábrica para que pueda funcionar de un modo eficaz en la mayoría de las condiciones. NO manipule el muelle del regulador, las varillas u otras piezas para incrementar el régimen del motor. Si necesitara algún ajuste, contacte con un Distribuidor autorizado Briggs & Stratton para el servicio.

**AVISO** El fabricante del equipo especifica la velocidad del máxima del motor instalado en el equipo. **No exceda** esta velocidad. Si no sabe cuál es la velocidad máxima del motor, o cómo se ha ajustado ésta en fábrica, contacte con un concesionario autorizado Briggs & Stratton para solicitar ayuda. Para una operación segura y correcta el equipo, la velocidad del motor debe ser ajustada solo por un técnico de servicio cualificado.

## Revisar la bujía

Consulte la Figura: 9

Compruebe la distancia entre electrodos (A, Figura 9) con un calibrador de alambre (B). Si fuera necesario, reajuste la distancia entre electrodos. Monte la bujía y apriétela al par recomendado. Para información sobre el ajuste de la distancia o el par de apriete, consulte la sección **Especificaciones**.

**Nota:** NOTA: En algunas áreas, las leyes locales requieren el uso de una bujía con resistencia para suprimir señales de encendido Si un motor vino originalmente equipado con una bujía con resistencia, asegúrese de usar el mismo tipo de bujía cuando la vaya a cambiar.

## Remoción del sistema de escape



**ADVERTENCIA**

Los motores en marcha producen calor. Las piezas del motor, especialmente el silenciador, se vuelven sumamente calientes.

Se pueden producir quemaduras térmicas graves al contacto.

Detritos de combustibles, tales como hojas, césped, maleza, etc., pueden incendiarse.

- Deje que el silenciador, el cilindro y las aletas del motor se enfríen antes de tocarlos.
- Retire toda la suciedad del área del silenciador y del área del cilindro.
- Constituye una infracción del artículo 4442 del California Public Resource Code utilizar u operar el motor en la proximidades de terrenos boscosos o de rastrojos o que estén cubiertos de hierba a menos que el sistema de escape esté equipado con un dispositivo antichispas, tal y como se define en la Sección 4442, que además se mantenga en un buen estado de funcionamiento. Otros estados o jurisdicciones federales pueden tener normas legales similares. Para obtener una pantalla antichispas diseñada para el sistema de escape instalado en este motor, acuda al fabricante original del aparato o a un distribuidor.

Retire toda la suciedad acumulada del área del silenciador y Inspeccione el silenciador por si presenta fisuras, corrosión u otros daños. Retire la pantalla antichispas, si está instalada, e inspeccione si presenta daños o acumula carbonilla. Si están dañados, monte los repuestos antes de operar la unidad.



**ADVERTENCIA**

Las piezas de reemplazo deben ser las mismas e instalarse en la misma posición que las piezas originales. Otras piezas pueden no funcionar de la misma manera, pueden dañar la unidad, y pueden causar lesiones.

## Cambio del aceite del motor

Observe la Figura: 10, 11, 12

El aceite usado es un producto de desecho peligroso y debe eliminarse de un modo correcto. No lo tire a un cubo de residuos domésticos. Pregunte a las autoridades locales, a un centro de mantenimiento o a un distribuidor dónde existen instalaciones para la eliminación/reciclaje de estos residuos.

### Extracción del aceite

1. Con el motor apagado pero todavía caliente, desconecte el cable de la bujía (D, Figura 10) y manténgalo alejado de la bujía (E).
2. Quite el tapón de drenado del aceite (F, Figura 11). Drene el aceite en un recipiente aprobado para este fin.

**Nota:** Puede montarse en el motor cualquiera de los tapones de drenado de aceite (G, Figura 11).

3. Una vez drenado el aceite, coloque y apriete el tapón de drenado del aceite (F, Figura 11).

### Adición de aceite

- Cerciórese de que la unidad esté nivelada.
- Limpie cualquier suciedad del área de llenado del aceite.
- Consulte la sección **Especificaciones** para ver la capacidad de almacenamiento del aceite.

### Tapón del orificio de llenado de aceite, si llevara

1. Quite el tapón de drenado del aceite (H, Figura 11).
2. Vierta lentamente el aceite por el orificio de llenado de aceite del motor (C, Figura 11). Llene hasta el punto de rebese.
3. Coloque de nuevo el tapón de llenado de aceite y apriételo (H, Figura 11).
4. Conecte el cable de la bujía (D, Figura 10) a la bujía (E).

### Varilla medidora corta, si llevara

1. Saque la varilla medidora (A, Figura 11) y límpiela con un paño limpio.
2. Vierta lentamente aceite por el orificio de llenado de aceite del motor (C, Figura 11). Llene hasta el punto de rebese.
3. Introduzca la varilla medidora (A, Figura 11). **No la gire ni la apriete.** Saque la varilla y compruebe el nivel del aceite. El nivel de aceite correcto se indica en la parte superior de la señal indicadora de lleno (B) de la varilla.
4. Coloque de nuevo la varilla medidora y apriétela (A, Figura 11).
5. Conecte el cable de la bujía (D, Figura 10) a la bujía (E).

### Varilla medidora larga, si llevara

1. Saque la varilla medidora (A, Figura 12) y límpiela con un paño limpio.
2. Vierta lentamente aceite por el orificio de llenado de aceite del motor (C, Figura 12). **No llene el depósito en exceso.** Después de añadir aceite, espere un (1) minuto y vuelva a revisar el nivel de aceite.
3. Coloque y apriete la varilla medidora (A, Figura 12).
4. Saque la varilla y compruebe el nivel del aceite. El nivel de aceite correcto se indica en la parte superior de la señal indicadora de lleno (B, Figura 12) de la varilla.
5. Coloque de nuevo la varilla medidora y apriétela (A, Figura 12).
6. Conecte el cable de la bujía (D, Figura 10) a la bujía (E).

## Cambio del aceite del reductor de engranajes

Observe la Figura: 13, 14

### Reductor de engranajes de relación 6:1 (Figura 13)

Si su motor lleva un reductor de engranajes de relación 6:1, proceda de la siguiente manera:

1. Quite el tapón de llenado de aceite (A, Figura 13) y el tapón de nivel del aceite (B).
2. Quite el tapón de drenado del aceite (C, Figura 13) y drene el aceite en un recipiente adecuado.
3. Vuelva a montar el tapón de drenado del aceite y apriételo (C, Figura 13).
4. Para llenarlo, vierta lentamente lubricante de engranaje (consulte la sección **Especificaciones**) por el orificio de llenado de aceite (D, Figura 13). Continúe llenando hasta que salga aceite por el orificio de nivel (E).
5. Monte de nuevo el tapón de nivel del aceite y apriételo (B, Figura 13).
6. Coloque de nuevo el tapón de llenado de aceite y apriételo (A, Figura 13).

**Nota:** El tapón de llenado de aceite (A, Figura 13) tiene un orificio de ventilación (F) y debe montarse encima de la tapa de la caja de engranajes, como se muestra.

### Reductor de engranajes de relación 2:1 (Figura 14)

El reductor de engranajes de relación 2:1 (G, Figura 14) no necesita cambios de aceite.



## Mantenimiento del filtro de aire

Observe la Figura: 15, 16, 17



**El combustible y sus vapores son extremadamente inflamables y explosivos.**

**El fuego o las explosiones pueden causar quemaduras graves o incluso la muerte.**

- Nunca arranque o haga funcionar el motor con el conjunto del depurador de aire (si llevara) o el filtro de aire (si llevara) quitados.

**AVISO** No utilice aire presurizado o disolventes para limpiar el filtro. El aire presurizado puede dañar el filtro y los disolventes lo disolverán.

Consulte la sección **Programa de mantenimiento** para ver los requisitos de mantenimiento.

Los motores utilizan un filtro de espuma o uno de papel. Algunos modelos también incluyen un prefiltro que se puede lavar y volver a utilizar de nuevo. Compare las ilustraciones de este manual con el tipo instalado en su motor y realice su mantenimiento en consecuencia.

### Filtro de aire de papel

1. Afloje el o los cierres (A, Figura 15, 16).
2. Abra la tapa (B, Figura 15, 16).
3. Saque el prefiltro (C, Figura 15, 16), si llevara, y el filtro (D).
4. Para quitar en lo posible la suciedad, golpee suavemente el filtro (D, Figura 15, 16) contra una superficie dura. Si el filtro está excesivamente sucio, cámbielo por uno nuevo.
5. Lave el prefiltro (C, Figura 15, 16), si llevara, con detergente líquido y agua. Deje que se seque bien el prefiltro. **No engrase el prefiltro.**
6. Monte el prefiltro seco (C, Figura 15, 16), si llevara, en el filtro (D) con el reborde (G) del prefiltro en la base de los pliegues del filtro.
7. Monte el filtro (D, Figura 15, 16).
8. En modelos equipados con el filtro de aire mostrado en la Figura 15, inserte las lengüetas de la tapa (E) en las ranuras (F).
9. Monte la tapa (B, Figura 15, 16) y asegúrela con el o los cierres (A).

### Filtro de aire de papel

1. Afloje el o los cierres (A, Figura 17).
2. Abra la tapa (B, Figura 17).
3. Saque el prefiltro (C, Figura 17), si llevara, y el filtro (D).
4. Para quitar en lo posible la suciedad, golpee suavemente el filtro (D, Figura 17) contra una superficie dura. Si el filtro está excesivamente sucio, cámbielo por uno nuevo.
5. Saque el prefiltro (C, Figura 17), si llevara, del filtro (D).
6. Lave el prefiltro (C, Figura 17), si llevara, con detergente líquido y agua. Deje que se seque bien el prefiltro. **No engrase el prefiltro.**
7. Monte el prefiltro seco (C, Figura 17), si llevara, en el filtro (D).
8. Monte el filtro (D, Figura 17) y el prefiltro (C) en la base (E) y el espárrago (F). Asegúrese de que el filtro encaja bien en la base.
9. Monte la tapa del filtro de aire (B, Figura 17) y asegúrela con el o los cierres (A). Verifique que los cierres están bien apretados.

## Mantenimiento del sistema de combustible

Observe la Figura: 18, 19



**El combustible y sus vapores son extremadamente inflamables y explosivos.**

**El fuego o las explosiones pueden causar quemaduras graves o incluso la muerte.**

- Mantenga el combustible alejado de chispas, llamas abiertas, llamas piloto, calor y otras fuentes de ignición.
- Verifique las líneas de combustible, tanque, tapa y conectores a menudo, para constatar si presentan grietas o pérdidas. Cambie si es necesario.
- Antes de limpiar o cambiar el filtro de combustible, drene el tanque de gasolina o cierre la válvula de corte de combustible.

- Si se derrama combustible, espere hasta que se evapore para arrancar el motor.
- Las piezas de repuesto deben ser iguales e instalarse en la misma posición que las originales.

### Filtro de combustible, si llevara

1. Antes de limpiar o cambiar el filtro de combustible (A, Figura 18), drene el tanque de gasolina o cierre la válvula de corte del combustible para evitar que se derrame combustible y pueda provocar un incendio o una explosión.
2. Con unos alicates, sujete fuerte las pestañas (B, Figura 18) de las abrazaderas (C) y retire estas del filtro de combustible (A). Gire y saque las mangueras de combustible (D) del filtro.
3. Revise las mangueras (D, Figura 18) para comprobar si hay grietas o fugas. Cambie si es necesario.
4. Reemplace el filtro de combustible (A, Figura 18) por un filtro de repuesto original.
5. Asegure las mangueras de combustible (D, Figura 18) con las abrazaderas (C) como se indica.

### Filtro de combustible, si llevara

1. Retire la tapa del combustible (A, Figura 19).
2. Retire el filtro de combustible (B, Figura 19).
3. Limpie o cambie el filtro de combustible si está sucio. Si reemplaza el filtro de combustible, asegúrese de utilizar un repuesto original.

## Remoción del Sistema de refrigeración



**Los motores en marcha producen calor. Las piezas del motor, especialmente el silenciador, se vuelven sumamente calientes.**

**Se pueden producir quemaduras térmicas graves al contacto.**

**Los restos de suciedad combustibles, como hojas, césped, maleza, etc., pueden incendiarse.**

- Deje que el silenciador, el cilindro y las aletas del motor se enfríen antes de tocarlos.
- Retire toda la suciedad del área del silenciador y del área del cilindro.

**AVISO** No utilice agua para limpiar el motor. El agua puede contaminar el sistema de combustible. Utilice un cepillo o un paño seco para limpiar el motor.

Este es un motor refrigerado por aire. La suciedad o los detritos pueden restringir el flujo de aire y provocar el sobrecalentamiento del motor, reduciendo su rendimiento y acortando su vida útil.

1. Utilice un cepillo o un paño seco para eliminar los restos de suciedad de la rejilla de la toma de aire.
2. Mantenga las conexión, el resorte y los controles limpios.
3. Mantenga el área alrededor del silenciador y detrás de él libre de residuos combustibles.
4. Asegúrese de que no haya suciedad ni residuos en las aletas de refrigeración de aceite.

Tras un periodo de tiempo puede acumularse suciedad en las aletas de refrigeración del cilindro y provocar el sobrecalentamiento del motor. Estos restos de suciedad no pueden eliminarse sin desmontar parcialmente el motor. Pida a un concesionario autorizado de Briggs & Stratton que revise y limpie el sistema de refrigeración por aire tal como se recomienda en el **Programa de mantenimiento**.

## Almacenaje



**El combustible y sus vapores son extremadamente inflamables y explosivos.**

**El fuego o las explosiones pueden causar quemaduras graves o incluso la muerte.**

### Almacenaje de combustible o de equipo con combustible en el tanque

- Almacenar lejos de hornos, estufas, calentadores de agua u otros aparatos que utilicen luces piloto u otras fuentes de encendido ya que estos pueden encender los vapores de gasolina.

## Sistema de combustible

Consulte la figura: 20

Almacene el nivel del motor (posición de funcionamiento normal). Llene el tanque de combustible (A, Figura 20) con combustible. Para permitir que el combustible se expanda, no llene el depósito por encima del cuello del tanque de combustible (B).

El combustible puede echarse a perder si se almacena durante más de 30 días. El combustible en mal estado provoca la formación de residuos ácidos y carbonilla en el sistema de combustible y en los componentes básicos del carburador. Para mantener el combustible en buen estado, use **estabilizador y agente de tratamiento de combustible de fórmula avanzada** Briggs & Stratton, disponible en todos los puntos de venta de piezas de repuesto originales Briggs & Stratton.

No es necesario vaciar la gasolina del motor si se añade estabilizador de combustible conforme a las instrucciones. Haga funcionar el motor durante dos (2) minutos para que el estabilizador circule por todo el circuito de combustible antes del almacenamiento.

Si el combustible del motor no se ha tratado con un estabilizador de combustible, debe vaciarse en un contenedor aprobado para tal fin. Haga funcionar el motor hasta que se detenga por falta de combustible. Se recomienda usar un estabilizador de combustible en el recipiente de almacenamiento para mantener el combustible en perfecto estado.

## Aceite del motor

Cambie el aceite del motor cuando esté aún caliente. Consulte la sección **Cambio del aceite del motor**.

# Solución de problemas

Si necesita ayuda, póngase en contacto con su concesionario local, acceda a **BRIGGSandSTRATTON.com** o llame al número **1-800-233-3723** (en EE.UU).

# Especificaciones

Modelo: 120000	
Cilindrada	12.48 ci (205 cc)
Diámetro	2.688 in (65,28 mm)
Carrera	2.200 in (55,88 mm)
Capacidad de aceite	18 - 20 oz (,54 - ,59 L)
Tipo de aceite del reductor de engranajes	80W-90
Capacidad de aceite del reductor de engranajes	4 oz (0,12 L)
Abertura de la bujía	.030 in (,76 mm)
Torsión de la bujía	180 lb-in (20 Nm)
Entrehierro Inducido	.010 - .014 in (,25 - ,36 mm)
Holgura de la válvula de admisión	.004 - .006 in (,10 - ,15 mm)
Holgura de la válvula de escape	.009 - .011 in (,23 - ,28 mm)

Modelo: 150000	
Cilindrada	15.24 ci (250 cc)
Diámetro	2.970 in (75,44 mm)
Carrera	2.200 in (55,88 mm)
Capacidad de aceite	18 - 20 oz (,54 - ,59 L)
Tipo de aceite del reductor de engranajes	80W-90
Capacidad de aceite del reductor de engranajes	4 oz (0,12 L)
Abertura de la bujía	.030 in (,76 mm)
Torsión de la bujía	180 lb-in (20 Nm)
Entrehierro Inducido	.010 - .014 in (,25 - ,36 mm)
Holgura de la válvula de admisión	.004 - .006 in (,10 - ,15 mm)
Holgura de la válvula de escape	.009 - .011 in (,23 - ,28 mm)

Modelo: 200000	
Cilindrada	15.63 ci (305 cc)
Diámetro	3.120 in (79,24 mm)
Carrera	2.438 in (61,93 mm)

Modelo: 200000	
Capacidad de aceite	26 - 28 oz (,77 - ,83 L)
Tipo de aceite del reductor de engranajes	SAE 30
Capacidad de aceite del reductor de engranajes	12 oz (,35 L)
Abertura de la bujía	.030 in (,76 mm)
Torsión de la bujía	180 lb-in (20 Nm)
Entrehierro Inducido	.008 - .012 in (,20 - ,30 mm)
Holgura de la válvula de admisión	.004 - .006 in (,10 - ,15 mm)
Holgura de la válvula de escape	.004 - .006 in (,10 - ,15 mm)

Modelo: 210000	
Cilindrada	20.85 ci (342 cc)
Diámetro	3.300 in (83,81 mm)
Carrera	2.438 in (61,93 mm)
Capacidad de aceite	26 - 28 oz (,77 - ,83 L)
Tipo de aceite del reductor de engranajes	SAE 30
Capacidad de aceite del reductor de engranajes	12 oz (,35 L)
Abertura de la bujía	.030 in (,76 mm)
Torsión de la bujía	180 lb-in (20 Nm)
Entrehierro Inducido	.008 - .012 in (,20 - ,30 mm)
Holgura de la válvula de admisión	.004 - .006 in (,10 - ,15 mm)
Holgura de la válvula de escape	.004 - .006 in (,10 - ,15 mm)

Específicamente, la potencia del motor se reducirá un 3,5% por cada 300 metros (1.000 pies) de altitud sobre el nivel del mar y un 1% por cada 5,6°C (10°F) sobre los 25°C (77°F). El motor funcionará de manera satisfactoria a un ángulo de hasta 15°. Consulte el manual de instrucciones del equipo para ver los límites operativos permisibles y seguros en pendientes.

Piezas de servicio - Modelo: 120000, 150000, 200000, 210000	
Kit de servicio	Número de pieza
Filtro de aire plano	491588, 5043
Prefiltro del filtro de aire plano	493537, 5064
Filtro de aire oval (Modelos 120000, 150000)	697029, 5059
Prefiltro del filtro de aire oval (Modelos 120000, 150000)	273356
Filtro de aire oval (Modelos 200000, 210000)	695302
Prefiltro del filtro de aire oval (Modelos 200000, 210000)	695303
Filtro de combustible	694485
Estabilizador de combustible Advanced Formula Fuel Treatment & Stabilizer	100117, 100120
Bujía de resistencia	491055
Bujía de platino de larga duración	5066
Llave para bujías	89838, 5023
Supresor de chispas	19368

Se recomienda consultar con un concesionario de servicio autorizado de Briggs & Stratton para realizar todo el mantenimiento y el servicio del motor y de sus piezas.

**Potencia nominal:** El valor de potencia bruta nominal de cada modelo de motor de gasolina está indicado en una etiqueta conforme al código J1940, Procedimiento de valoración de potencia y par de torsión para motores pequeños, de la Society of Automotive Engineers (Sociedad de Ingenieros de Automoción, SAE) y se ajusta conforme al código SAE J1995. Los valores de par de torsión se obtienen a 2600 RPM para los motores con indicación de "rpm" en la etiqueta y a 3060 RPM para todos los demás; los valores de potencia se obtienen a 3600 RPM. Las curvas de potencia bruta se pueden ver en [www.BRIGGSandSTRATTON.COM](http://www.BRIGGSandSTRATTON.COM). Los valores de potencia neta se obtienen con el escape y filtro de aire instalados, mientras que los valores de potencia bruta se obtienen sin estos elementos. La potencia bruta real del motor es superior a la potencia neta del motor y depende, entre otros factores, de las condiciones ambientales de uso y de las variaciones entre distintos motores del mismo modelo. Dada la amplia variedad de productos que utilizan nuestros motores, es posible que el motor de gasolina no desarrolle la potencia bruta nominal en determinados equipos. Esta diferencia se debe a los siguientes factores, entre otros: variedad de componentes del motor (filtro de aire, escape, carga,

refrigeración, carburador, bomba de combustible, etc.), limitaciones de la aplicación, condiciones ambientales de uso (temperatura, humedad, altitud) y variaciones entre distintos motores de un mismo modelo. Debido a limitaciones de fabricación y capacidad, Briggs & Stratton puede sustituir un motor de una potencia nominal mayor por este motor.

# Garantía

## Garantía de los motores Briggs & Stratton

Desde enero de 2017

### GARANTÍA LIMITADA

Briggs & Stratton garantiza que, durante el periodo de garantía especificado a continuación, reparará o reemplazará, sin cargo, cualquier pieza defectuosa en cuanto a materiales, mano de obra o ambos. El comprador será responsable de pagar los cargos de transporte relativos a los productos enviados para reparación o sustitución según esta garantía. Esta garantía se mantiene vigente durante los periodos de tiempo indicados a continuación y está sujeta a dichos periodos y a las condiciones que se indican a continuación. Para recurrir al servicio en garantía, busque el servicio técnico autorizado más cercano en el mapa localizador de distribuidores que hay disponible en BRIGGSandSTRATTON.com. El comprador debe ponerse en contacto con el distribuidor de servicio autorizado y hacerle llegar el producto para que lo inspeccione y lo pruebe.

**No existe otra garantía expresa. Las garantías implícitas, incluidas las de comerciabilidad e idoneidad para un propósito en particular, están limitadas al periodo de garantía mencionado a continuación, o en la medida que lo permita la ley.** La responsabilidad por daños directos o emergentes está excluida según lo permita la ley. Algunos estados o países no permiten limitaciones sobre la duración de una garantía implícita y algunos estados o países no permiten la exclusión o limitación de daños directos o indirectos, por lo que puede que las limitaciones y exclusiones anteriores no se apliquen en su caso. Esta garantía le otorga derechos legales específicos; también podría tener otros que varían según el estado o el país <sup>4</sup>.

### Términos de la garantía estándar <sup>1, 2, 3</sup>

Marca / Nombre del producto	Uso del consumidor	Uso comercial
Vanguard™; Serie comercial	36 meses	36 meses
Motores con camisa de cilindro de fundición Dura-Bore™	24 meses	12 meses
Todos los demás motores	24 meses	3 meses

<sup>1</sup>Estos son los términos de nuestra garantía estándar, pero en algunos casos puede haber cobertura de garantía adicional no determinada en el momento de la publicación. Para ver la lista de términos actuales de la garantía para su motor, acceda a BRIGGSandSTRATTON.com o contacte con su Distribuidor autorizado Briggs & Stratton.

<sup>2</sup>No están cubiertos por la garantía los motores montados en equipo utilizado para suministrar energía en lugar de un servicio o para generadores de reserva utilizados para fines comerciales. Los motores utilizados en carreras deportivas o pistas profesionales o para el alquiler no están cubiertos por la garantía.

<sup>3</sup>Vanguard montado en generadores de reserva: 24 meses de uso por consumidor, no uso comercial en garantía. Vanguard montado en vehículos industriales: 24 meses de uso consumidor, 24 meses de uso comercial. Serie comercial con fecha de fabricación antes de julio de 2017, 24 meses de consumo, 24 meses de uso comercial.

<sup>4</sup>En Australia, nuestros productos están cubiertos por garantías ineludibles de acuerdo con la legislación sobre consumo de este país. Tiene derecho a una sustitución o un reembolso por una avería importante y a compensación por cualquier otra pérdida o daño razonablemente previsible. También tiene derecho a una reparación o sustitución de productos si estos no son de una calidad aceptable y la avería no asciende a una avería importante. Para el servicio de garantía, busque el distribuidor de servicio autorizado más cercano en el mapa localizador de distribuidores en BRIGGSandSTRATTON.com, o llame al 1300 274 447, o envíe un correo electrónico u ordinario a salesenquires@briggsandstratton.com.au, Briggs & Stratton Australia Pty Ltd, 1 Moorebank Avenue, NSW, Australia, 2170.

El período de garantía comienza en la fecha de compra original del primer usuario minorista o comercial. "Uso del consumidor" significa uso doméstico residencial personal por un consumidor minorista. "Uso comercial" significa todos los demás usos, como el uso para fines comerciales, de producción de renta o de alquiler. Una vez que el motor haya sido utilizado para uso profesional, será considerado como motor de uso profesional con respecto a esta garantía.

**Guarde su comprobante de compra. Si no aporta la prueba de la fecha de compra inicial en el momento de solicitar el servicio de garantía, se utilizará la fecha de fabricación del producto para determinar el periodo de garantía. No se requiere registrar el producto para obtener el servicio de garantía para los productos Briggs & Stratton.**

### Sobre su garantía

Esta garantía cubre únicamente motores con material y/o mano de obra defectuosos, y no reemplazará ni reembolsará el equipo en el que esté montado el motor. El mantenimiento rutinario, las puestas a punto, el ajuste o el desgaste normal no están cubiertos por esta

garantía. Del mismo modo, la garantía no es aplicable si el motor ha sido alterado o modificado o si el número de serie del motor ha sido borrado o eliminado. Esta garantía no cubre daños al motor o problemas de rendimiento provocados por:

1. El uso de repuestos no originales de Briggs & Stratton;
2. El funcionamiento del motor con aceite lubricante insuficiente, contaminado o del tipo incorrecto;
3. El uso de combustible contaminado o pasado, o gasolina formulada con más del 10 % de etanol, o el uso de combustibles alternativos como gas de petróleo licuado o gas natural en motores no diseñados o fabricados originalmente por Briggs & Stratton para operar con tales combustibles;
4. Suciedad en el motor acumulada por un mantenimiento o un montaje inadecuados del filtro de aire;
5. El impacto de un objeto contra la cuchilla de una cortadora de césped rotativa, un montaje flojo o incorrecto de adaptadores de la cuchilla, impulsores u otros dispositivos acoplados al cigüeñal, o un apriete excesivo de la correa en V;
6. Piezas o conjuntos asociados tales como embragues, transmisiones, mandos del equipo, etc., no suministrados por Briggs & Stratton;
7. El recalentamiento causado por los recortes de hierba, la suciedad o la presencia de nidos de roedores que taponan u obstruyen las aletas de refrigeración o la zona del volante, o por hacer funcionar el motor sin una ventilación suficiente;
8. Unas vibraciones excesivas debidas a un exceso de velocidad, a un montaje del motor flojo, cuchillas o impulsores desequilibrados o flojos, o el acoplamiento incorrecto de componentes del equipo al cigüeñal;
9. Un uso incorrecto, falta de mantenimiento rutinario, transporte, manipulación o almacenamiento del equipo, o un montaje incorrecto del motor.

**El servicio bajo garantía está disponible únicamente en los concesionarios de servicio autorizados Briggs & Stratton. Localice su concesionario de servicio autorizado más cercano en nuestro mapa localizador en BRIGGSandSTRATTON.COM o llame al número 1-800-233-3723 (en EE. UU.).**

80004537 (Rev. C)

Tämän käsikirjan sisältämien turvallisuutta koskevien tietojen tarkoituksena on kertoa moottoriin liittyvistä vaaroista ja riskeistä sekä siitä, miten niitä vältetään. Käsikirja sisältää myös ohjeet moottorin oikeaa käyttöä ja huoltoa varten. Koska Briggs & Stratton ei välttämättä tiedä, minkä laitteen voimanlähteenä tätä moottoria käytetään, on tärkeää, että luet ja ymmärrät sekä nämä ohjeet että sitä laitetta koskevat ohjeet, jota tällä moottorilla käytetään. **Säilytä nämä alkuperäiset ohjeet tulevaa tarvetta varten.**

**Huomio:** Tämän ohjekirjan kuvat ja kuvitus ovat ainoastaan viitteellisiä. Ne voivat poiketa omasta mallistasi. Ota yhteys paikalliseen jälleenmyyjäsi, jos sinulla on kysymyksiä.

Saadaksesi varaosia tai teknistä apua, kirjoita moottorin malli, tyyppi ja koodinumerot sekä ostopäivä tähän. Nämä numerot löytyvät moottorista (katso kohta **Toiminnot ja hallintalaitteet**).


Ostopäivä	
Moottorin malli - Tyyppi - Varustelutaso	
Moottorin sarjanumero	


Etsi 2D-viivakoodi, joka on kiinnitetty joihinkin moottoreihin. 2D-lukulaitteella luettu koodi johtaa verkkosivullemme, missä voit tutustua tämän tuotteen tukitietoihin. Palvelusta veloitetaan datasiirtomaksu. Tukitietoja ei välttämättä ole saatavilla kaikkien maiden verkkosivuilla.



## Käyttäjän turvallisuus

### Varoitusmerkki ja varoitussanat

Hälytysmerkkiä  käytetään osoittamaan turvallisuustietoja, joiden noudattamatta jättäminen voi aiheuttaa loukkaantumisen. Huomiosanaa (VAARA, VAROITUS tai HUOMIO) käytetään varoitusmerkin kanssa osoittamaan loukkaantumisen todennäköisyyttä ja vakavuuden astetta. Varoitusmerkkiä voidaan lisäksi käyttää edustamaan vaaran tyyppiä.









 **VAARA** tarkoittaa vaaraa, joka toteutuessaan **johtaa kuolemaan tai vakavaan vammaan**.









 **VAROITUS** tarkoittaa vaaraa, joka toteutuessaan **saattaa johtaa kuolemaan tai vakavaan vammaan**.

 **HUOMIO** tarkoittaa vaaraa, joka toteutuessaan **saattaa aiheuttaa lievän tai kohtalaisen vamman**.

**HUOMAUTUS** tarkoittaa tilannetta, jossa laite voi vahingoittua.

### Varoitusmerkit ja niiden selitykset

Symboli	Merkitys	Symboli	Merkitys
	Turvallisuustietoja vaaroista, jotka voivat johtaa henkilövahinkoihin.		Lue ja ymmärrä Käyttäjän käsikirja ennen laitteen käyttöä tai huoltoa.
	Tulipalon vaara		Räjähdysvaara
	Iskun vaara		Myrkyllisten kaasujen vaara
	Kuumien pintojen vaara		Meluvaara - kuulosuojainten käyttö suositeltavaa pitkäaikaisessa käytössä.

Symboli	Merkitys	Symboli	Merkitys
	Lentävän esineen vaara - käytä suojalaseja.		Räjähdysvaara
	Paleltumavaara		Takapotkun vaara
	Amputaatiovaara - liikkuvia osia		Kemiallinen vaara
	Lämpövaara		Syövyttävä

## Turvallisuusviestit

 **VAROITUS**

Tietyt laitteen ja sen lisävarusteiden komponentit sisältävät kemikaaleja, jotka Kalifornian osavaltion tietojen mukaan aiheuttavat syöpää, synnynnäisiä vaurioita tai muita lisääntymiseen liittyviä ongelmia. Pese kädet aina niiden käsittelyn jälkeen.

 **VAROITUS**

Moottorin pakokaasu sisältää kemikaaleja, jotka Kalifornian osavaltion tietojen mukaan aiheuttavat syöpää, synnynnäisiä vaurioita tai muita lisääntymiseen liittyviä ongelmia.

 **VAROITUS**

Briggs & Stratton-moottoreita ei ole suunniteltu käytettäväksi eikä niitä saa käyttää kartingautojen, lasten, vapaa-ajan tai urheilukäyttöön tarkoitettujen mönkijöiden, moottoripyörien, ilmatyynyalusten tai ilmailuvälineiden voimanlähteenä tai ajoneuvoissa, joita käytetään kilpailuissa, joita Briggs & Stratton ei ole hyväksynyt. Saat lisätietoja kilpailutuotteistamme osoitteesta [www.briggsracing.com](http://www.briggsracing.com). Halutessasi tietoja käytöstä hyötyajoneuvoissa ja mönkijöissä, ota yhteys osoitteella Briggs & Stratton Engine Application Center, 1-866-927-3349. Moottorin epäasianmukainen käyttö saattaa johtaa vakavaan vammautumiseen tai kuolemaan.

 **VAROITUS**  

Polttoaine ja polttoainehöyryt ovat erittäin tulenarkoja ja räjähdysherkkiä.

Tulipalo tai räjähdys voi aiheuttaa vakavia palovammoja tai kuoleman.

#### Kun lisää polttoainetta säiliöön

- Sammuta moottori ja anna sen jäähtyä vähintään 2 minuutin ajan, ennen kuin avaat bensiinisäiliön korkin.
- Täytä tankki ulkona tai hyvin ilmastoidussa tilassa.
- Älä ylitä polttoainesäiliötä. Jotta polttoaine pääsee laajenemaan, älä täytä polttoainesäiliön kaulan alareunaa korkeammalle.
- Suojaa polttoaine kipinöiltä, avotulelta, sytytysliekiltä, lämmöltä ja muilta sytytyslähteiltä.
- Tarkista polttoaineputket, säiliö, korkki ja liitokset murtumien ja vuotojen varalta. Vaihda tarvittaessa.
- Jos polttoainetta läikkyä koneelle, odota sen haihtumista, ennen kuin käynnistät moottorin.

#### Moottorin käynnistys

- Varmista, että sytytystulppa, äänenvaimennin, polttoainekorkki ja ilmanpuhdistin (mikäli sellainen on) ovat paikoillaan ja kiinnitettynä.
- Älä pyöritä moottoria sytytystulppa irrotettuna.

- Jos moottori tulvii, aseta rikastin (mikäli sellainen on) OPEN/RUN-asentoon (auki/käynnissä), siirrä kaasua (mikäli sellainen on) FAST-asentoon (nopea) ja pyöritä moottoria, kunnes se käynnistyy.

#### Kun käytät laitetta

- Älä kallista moottoria siten, että polttoainetta pääsee vuotamaan.
- Älä sammuta moottoria käyttämällä kuristinta.
- Älä koskaan käynnistä tai käytä moottoria ilmansuodatinlementti (mikäli käytössä) tai ilmansuodatintä (mikäli käytössä) poistettuna.

#### Kun vaihdat öljyä

- Poistaessasi öljyn täyttöputken kautta, on polttoainesäiliön oltava tyhjä. Muussa tapauksessa polttoaine voi aiheuttaa valuessaan tulipalon tai räjähdys.

#### Laitteen kallistaminen huoltoa varten

- Tehdessäsi huoltotoimenpiteitä, jotka vaativat laitteen kallistamista, polttoainesäiliön on oltava tyhjä; muuten polttoainetta saattaa vuotaa ulos jolloin tuloksena voi olla tulipalo tai räjähdys.

#### Kun kuljetat laitetta

- Kuljeta tuotetta polttoainesäiliö TYHJENNETTYNÄ tai polttoaineen sulkuventtiili KIINNI-asennossa.

#### Polttoaineen tai laitteen varastoiminen, kun tankissa on polttoainetta

- Älä varastoi lämmityskattilan, uunin, vedenlämmittimen tai muun kipinän aikaansaavan laitteen läheisyyteen, sillä ne voivat sytyttää polttoaineen höyrystyvät kaasut.



**VAROITUS**

**Moottorin käynnistyksessä syntyy kipinöitä.**

**Kipinöinti voi sytyttää lähistöllä sijaitsevan palavan kaasun.**

**Tuloksena voi olla räjähdys ja tulipalo.**

- Jos käyttöalueella on maa- tai nestekaasuvuoto, älä käynnistä moottoria.
- Älä käytä paineistettuja käynnistysapuneiteitä, koska niiden höyryt sytyttävät herkästi.



**VAROITUS**

**MYRKYLLISEN KAASUN VAARA.** Moottorin pakokaasu sisältää hääää, joka on myrkyllistä ja tappaa ihmisen muutamassa minuutissa. Hääää EI näy, hääää eikää tunnu. Vaikka et haistaisikaan pakokaasun hääää, voit altistua häääälle. Jos sinua alkaa oksettaa, huimata, tai tunnet olosi heikoksi laitetta käyttäessääsi, häääkeudu rääittiseen ilmaan VÄLITTÖMÄSTI. Häääkeudu lääkäriin hoitoon. Sinulla voi olla hääämäärkytyy.

- Tätä laitetta saa käyttää VAIN ulkotiloissa, kaukana ikkunoista, ovista tai tuuletusaukoista. Näin vähennetään hiilimonoksidin kerääntymisen vaaraa ja sen mahdollista joutumista tiloihin, joissa oleskellaan.
- Asenna paristokäyttöiset häääkävaroitimet tai verkkokäyttöiset ja paristovarmenteiset häääkävaroitimet valmistajan ohjeiden mukaan. Savuhälyttimet eivät havaitse häääkää.
- Laitetta EI SAA käyttää kotona sisällä, autotallissa, kellarissa, ryömintätiloissa, vajoissa ja varastoissa tai muissa osittain suljetuissa tiloissa, vaikka niissä olisikin tuulettimia tai avoimia ovia ja ikkunoita ilmanvaihtoa varten. Häääkää saattaa kerääntyä tällaisiin tiloihin nopeasti ja säilyä siellä tuntikausia laitteen sammuttamisen jälkeenkin.
- Laitte tulee AINA asettaa siten, että se on tuulen alapuolella ja että pakoputki osoittaa pois päin tiloista, joissa oleskellaan.



**VAROITUS**

**Vääräästä käynnistäväästä johtuva takapotku vetää köyttää takaisin moottoriin päin nopeammin kuin ehdit laskea kahvasta irti.**

**Seurauksena voi olla luunmurtumia, mustelmia tai venähdyksiää.**

- Oikea tapa käynnistää moottori ja vääältää takapotku, on vetää köydestä hitaasti, kunnes vastus tuntuu, ja sitten vetää nopeasti.
- Kytke pois kaikki ylimääräinen moottorin tai laitteen kuormitus käynnistykseen ajaksi.
- Kaikki suoraan kytketyt komponentit, kuten esimerkiksi terät, tuulettimet, juoksupyörät, hinnapyörät, ketjupyörät, tms. tulee olla tiukasti kiinnitettyinä.



**VAROITUS**

**Pyörivää osat voivat osua käsiin, jalkoihin, hiuksiin, vaatteisiin tai lisääsusteisiin tai kietoutua niihin.**

**Täästä voi seurata vakavia silpoutumia tai haavoittumista.**

- Käytä laitetta aina kaikki suojuukset paikallaan.
- Pidä kädet ja jalat pois pyörivistä osista.
- Sido pitkät hiukset ja riisu korut.
- Älä käytä liian välijää vaatteita, varo sitomattomia, roikkuvia nauhoja tai muita helposti tarttuvia vaatekappaleita.



**VAROITUS**

**Moottorin käydessää syntyy lämpöää. Moottorin osat, erityisesti äänenvaimennin, tulevat erittäin kuumiksi.**

**Niihin koskettaminen voi aiheuttaa vakavia palovammoja.**

**Palavat jätteet, kuten lehdet, ruoho tai pensaat, voivat sytyä tuleen.**

- Anna äänenvaimentimen, moottorin sylinterin ja ripojen jäähtyä ennen niihin koskemista.
- Poista kerääntyneet roskat äänenvaimentimen ja sylinterin läheltää.
- Kalifornian luonnonvaralain 4442 §:n mukaan on kiellettyä käyttää tai ajaa laitetta metsä-, pensas- tai ruohopeitteisellä maalla tai sellaisen lähellä, ellei pakojärjestelmään ole asennettu 4442 §:n mukaista toimintakuntoista kipinäsuojaa. Muissa osavaltioissa tai liittovaltion alueella voi olla voimassa samanlaisia lakeja. Ota yhteys alkuperäisen laitteen valmistajaan, jälleenmyyjään tai vähittäiskauppiaseen saadaksesi tälle moottorille suunniteltuun pakokaasujärjestelmään sopivan kipinänsammuttimen.



**VAROITUS**

**Tahaton kipinöinti voi sytyttää tulipalon tai aiheuttaa sähköiskun.**

**Tahaton käynnistyminen voi johtaa jäsenen tarttumiseen, irtoamiseen tai vakavaan vahingoittumiseen.**

**Tulipalon vaara**

**Ennen säätöää tai korjauksia:**

- Irrota sytytystulpan johto ja pidä se kaukana sytytystulpasta.
- Irrota akun kaapeli miinusnavasta (-) (vain sähkökäynnisteiset mallit).
- Käytä ainoastaan oikeita työkaluja.
- Älä peukaloi kierroslukurajoittimen joustaa, vivustoa tai muita osia lisätäksesi moottorin käyntinopeutta.
- Varaosien on oltava samanlaisia ja ne on asennettava samaan asentoon kuin alkuperäisetkin osat. Muut osat eivät vääältämättä toimi yhtää tehokkaasti ja voivat vahingoittaa laitetta ja aiheuttaa loukkaantumisia.
- Älä lyö vauhtipyörää vasaralla tai kovalla esineellä, koska vauhtipyörää voi hajota pirstaleiksi myöhemmin käytön aikana.

**Kun testaat toimivuutta:**

- Käytä hyväksyttyää sytytystulpan testeriää.
- Älä tarkista kipinöintiää sytytystulpan ollessa irti.

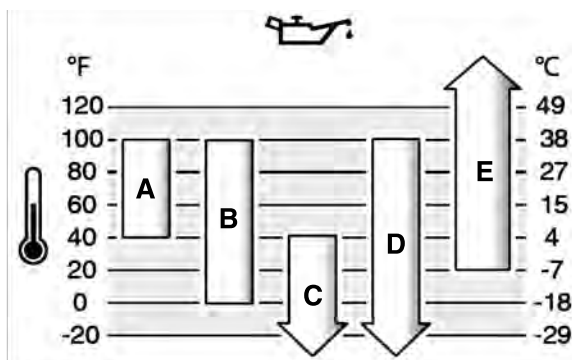
## Toiminnot ja hallintalaitteet

### Moottorin hallintalaitteet

Vertaa kuvitusta (kuva: 1, 2, 3) ja omaa moottoriasi samanaikaisesti tutustuaksesi moottorin eri ominaisuuksiin ja säätimiin.

- Moottorin tunnistenumerot **Malli- Tyyppi- Koodi**
- Sytytystulppa
- Ilmanpuhdistin (litteää tai soikeää)
- Kuristin
- Polttoaineen sulkuventtiili (mikäli käytössä)

- F. Käynnistinnarun kädensija
- G. Ilmanottoaukon ritilä
- H. Kaasuvipu (mikäli käytössä)
- I. Sammutuskatkaisin (mikäli käytössä)
- J. Polttoainesäiliö ja korkki
- K. Pidennetty mittatikku (mikäli käytössä).
- L. Lyhyt mittatikku (mikäli käytössä).
- M. Öljynpoistoaukon tulppa
- N. Öljyntäyttöaukko
- O. Äänenvaimennin vaimentimen suoja (mikäli käytössä), kipinäsuojain (mikäli käytössä)
- P. Turva-avain (sähkökäynnistimellä varustetut mallit)
- Q. ON/OFF-kytkin (sähkökäynnistimellä varustetut mallit)
- R. Alennusvaiheyksikkö (mikäli käytössä)
- S. Avainkytkin (sähkökäynnistimellä varustetut mallit)



## Moottorin hallintalaitteiden symbolit ja niiden selitykset

Symboli	Merkitys	Symboli	Merkitys
	Moottorin käyntinopeus - NOPEA		Moottorin käyntinopeus - HIDAS
	Moottorin käyntinopeus - SEIS		ON - OFF
	Moottorin käynnistys - rikastin KIINNI		Moottorin käynnistys - rikastin AUKI
	Polttoainesäiliön korkki Polttoaineen sulkuventtiili - AUKI		Polttoaineen sulkuventtiili - KIINNI
	Polttoaineen määrä - maksimi Älä ylitäytä		

A	SAE 30 - Alle 4 °C (40 °F) lämpötiloissa SAE 30 -viskositeetin öljyn käyttäminen johtaa huonoon käynnistyvyuteen.
B	10W-30 - Yli 27 °C (80 °F) lämpötilassa 10W-30 -viskositeettisen öljyn kulutus voi lisääntyä. Tarkista öljyn määrä tavallista useammin.
C	5W-30
D	Synteettinen 5W-30
E	Vanguard™ synteettinen 15W-50

## Tarkasta öljytaso

Katso kuva: 4, 5

### Ennen öljyn lisäämistä tai tarkistamista

- Varmista, että moottori on vaakasuorassa.
- Puhdista öljyntäyttöalueelta kaikki roskat.

### Öljyntäyttöaukon korkki, mikäli käytössä

1. Irrota öljyntäyttöaukon korkki (A, kuva 4).
2. Jos öljytaso on alhainen, lisää öljyä hitaasti moottorin täyttöaukkoon (B, kuva 4). Lisää öljyä piriipintaan asti.
3. Asenna ja kiristä öljyntäyttöaukon tulppa uudelleen (A, kuva 4).

### Lyhyt mittatikku, mikäli käytössä.

1. Poista mittatikku (C, kuva 4) ja pyyhi se puhtaalla kankaalla.
2. Asenna mittatikku (C, kuva 4) paikalleen. **Älä käännä tai kiristä.**
3. Irrota mittatikku ja tarkasta öljytaso. Öljytaso on oikea, kun öljy ulottuu mittatikuksen täyttätasoa osoittavan merkin yläosaan (D, kuva 4).
4. Jos öljytaso on alhainen, lisää öljyä hitaasti moottorin täyttöaukkoon (B, kuva 4). Lisää öljyä piriipintaan asti.
5. Asenna ja kiristä mittatikku uudelleen (C, kuva 4).

### Pidennetty mittatikku, mikäli käytössä.

1. Poista mittatikku (A, kuva 5) ja pyyhi se puhtaalla kankaalla.
2. Asenna ja kiristä mittatikku (A, kuva 5).
3. Irrota mittatikku ja tarkasta öljytaso. Öljytaso on oikea, kun öljy ulottuu mittatikuksen täyttätasoa osoittavan merkin yläosaan (B, kuva 5).
4. Jos öljytaso on alhainen, lisää öljyä hitaasti moottorin täyttöaukkoon (C, kuva 5). **Älä täytä liikaa.** Odota lisäyksen jälkeen minuutti ja tarkasta öljytaso uudelleen.
5. Asenna ja kiristä mittatikku uudelleen (A, kuva 5).

## Alhaisen öljymäärän ilmoitusjärjestelmä (mikäli sellainen on)

Joissakin moottoreissa on anturi, joka varoittaa alhaisesta öljymäärästä. Jos öljymäärä on alhainen, anturi aktivoi varoitusvalon tai sammuttaa moottorin. Sammuta moottori ja noudata ohjeita ennen kuin käynnistät moottorin uudelleen.

- Varmista, että moottori on vaakasuorassa.
- Tarkasta öljytaso. Katso kohta **Tarkasta öljytaso**.
- Jos öljytaso on alhainen, lisää sopiva määrä öljyä. Käynnistä moottori ja varmista, että varoitusvalo (mikäli sellainen on) ei pala.
- Jos öljytaso ei ole alhainen, älä käynnistä moottoria. Pyydä Briggs & Strattonin valtuutetulta vähittäismyyjältä lisätietoja öljyongelman ratkaisemiseksi.

## Käyttö

### Öljyä koskevat suositukset

Öljytilavuus: Katso **Tekniset tiedot** -osio.

#### HUOMAA

Tämä moottori on lähetetty Briggs & Strattonin tehtaalta sisältämättä öljyä. Laittevalmistajat tai -myyjät ovat saattaneet lisätä moottoriin öljyä. Muista tarkistaa öljyn määrä ja lisää öljyä tämän ohjekirjan ohjeiden mukaan ennen kuin käynnistät moottorin ensi kertaa. Jos moottori käynnistetään ilman öljyä, se vaurioituu korjauskelvottomaksi, eikä takuu korvaa sitä.

Suosittellemme käyttämään Briggs & Stratton -takuun sertifioimia öljyjä parhaan suorituskyvyn takaamiseksi. Muita korkealaatuisia, puhdistavia öljyjä voidaan käyttää, jos ne täyttävät SF-, SG-, SH-, SJ- tai korkeammat luokitukset. Älä käytä erikoislisäaineita.

Ulkoilman lämpötila määrittää moottoriöljyn oikean viskositeetin. Hyödynnä taulukkoa valitaksesi parhaan viskositeetin odotetuille ulkoilmalämpötiloille. Useimpien ulkokäyttöön tarkoitettujen laitteiden moottorit toimivat hyvin synteettisellä 5W-30 -viskositeetin öljyllä. Korkeissa lämpötiloissa käytettäviin laitteisiin parhaan suojan tarjoaa synteettinen Vanguard™ 15W-50 -öljy.



# Polttoainesuositukset

Polttoaineen on täytettävä seuraavat vaatimukset:

- Puhdas, tuore, lyijytön bensiini.
- Vähintään 87-oktaaninen / 87 AKI (91 RON). Korkean ilmanalan käyttö, katso alempana annettavat ohjeet.
- Enintään 10 % etanolia sisältävä bensiini hyväksytään polttoaineeksi.

**HUOMAA** Älä käytä bensiiniä, joka ei täytä näitä vaatimuksia, esim. E15 tai E85. Älä sekoita öljyä bensiiniin äläkä muuta moottoria muille polttoaineille. Muiden kuin suosituksen mukaisten polttoaineiden käyttö vahingoittaa moottorin osia eikä takuu korvaa vahinkoja.

Suojaa polttoainejärjestelmä sakan muodostumiselta sekoittamalla polttoaineeseen stabilointiainetta. Katso **Varastointi**. Kaikki polttoaineet eivät ole samanlaisia. Vaihda polttoaineen toimittajaa tai merkkiä, jos moottorin käynnistyksessä tai suorituskyvyssä on ongelmia. Tämä moottori on hyväksytty toimimaan bensiinillä. Tämän moottorin pakokaasupäästöjen rajoitusjärjestelmä on EM (Moottorin modifikaatiot).

## Korkea ilmanala

Yli 1 524 metrin (5 000 jalan) korkeudessa on käytettävä vähintään 85-oktaanista/85 AKI (89 RON) polttoainetta.

Kaasutinmoottoreille on suoritettava korkean ilmanalan säätö suorituskyvyn ylläpitämiseksi. Käyttö ilman korkean ilmanalan säätöä heikentää suorituskykyä, lisää polttoaineen kulutusta sekä päästöjä. Saat Briggs & Strattonin valtuutetulta vähittäismyyjältä lisätietoja korkean paikan säädöistä. Korkean paikan sarjaa ei suositella käytettäväksi, mikäli moottoria käytetään alle 762 metrin (2 500 jalan) korkeudessa.

Elektronisella polttoaineen ruiskutusjärjestelmällä (EFI) varustetuille moottoreille ei tarvitse suorittaa korkean ilmanalan säätöä.

## Polttoaineen lisääminen

Katso kuva: 6



**VAROITUS**

**Polttoaine ja polttoainehöyryt syttyvät erittäin herkästi ja ovat räjähdysherkkiä.**

**Tulipalot ja räjähdys saattaa aiheuttaa vakavia palovammoja tai kuoleman.**

**Kun lisäät polttoainetta säiliöön**

- Sammuta moottori ja anna sen jäähtyä vähintään 2 minuutin ajan, ennen kuin avaat bensiinisäiliön korkin.
  - Täytä tankki ulkona tai hyvin ilmastoidussa tilassa.
  - Älä ylitä polttoainesäiliötä. Jotta polttoaine pääsee laajenemaan, älä täytä polttoainesäiliön kaulan alareunaa korkeammalle.
  - Suojaa polttoaine kipinöiltä, avotulelta, sytytysliekiltä, lämmöltä ja muilta sytytyslähteiltä.
  - Tarkista polttoaineputket, säiliö, korkki ja liitokset murtumien ja vuotojen varalta. Vaihda tarvittaessa.
  - Jos polttoainetta läikkyä koneelle, odota sen haihtumista, ennen kuin käynnistät moottorin.
1. Puhdista lika ja roskat polttoainesäiliön korkin ympäriltä. Irrota polttoainesäiliön korkki.
  2. Täytä polttoainesäiliö (A, kuva 6) polttoaineella. Jotta polttoaine pääsee laajenemaan, älä täytä polttoainesäiliön kaulan alareunaa korkeammalle (B).
  3. Kierrä korkki takaisin paikalleen.

## Moottorin käynnistäminen ja sammuttaminen

Katso kuva: 7, 8

**Moottorin käynnistys**



**VAROITUS**

**Väärästä käynnistystavasta johtuva takapotku vetää köyttä takaisin moottoriin päin nopeammin kuin ehdit laskea kahvasta irti.**

**Tästä voi seurata luunmurtumia, ruhjeita tai venähdyksiä.**

- Kun käynnistät moottoria, vedä käynnistinnarua hitaasti, kunnes tunnet vastuksen, ja vetäise sen jälkeen nopeasti. Näin vältät takapotkun.



**VAROITUS**

**Polttoaine ja polttoainehöyryt syttyvät erittäin herkästi ja ovat räjähdysherkkiä.**

**Tulipalot ja räjähdys saattavat aiheuttaa vakavia palovammoja tai kuoleman.**

**Kun käynnistät moottoria**

- Varmista, että sytytystulppa, äänenvaimennin, polttoainekorkki ja ilmanpuhdistin (mikäli käytössä) ovat paikoillaan ja kiinnitettyinä.
- Älä pyöritä moottoria sytytystulppa irrotettuna.
- Jos moottori tulvii, aseta rikastin (mikäli käytössä) OPEN/RUN-asentoon, siirrä kaasua (mikäli käytössä) FAST-asentoon ja pyöritä moottoria, kunnes se käynnistyy.



**VAROITUS**

**MYRKYLLISEN KAASUN VAARA. Moottorin pakokaasut sisältävät hiilimonoksidia, myrkyllistä kaasua, joka voi tappaa muutamassa minuutissa. Sitä EI VOI nähdä, haistaa tai maistaa. Vaikka et tuntisikaan pakokaasun hajua, voit silti altistua hiilimonoksidikaasulle. Jos tunnet olosi huonovointiseksi tai sinua huimaa tai heikottaa käyttäessäsi tätä laitetta, sammuta se välittömästi ja hakeudu VÄLITTÖMÄSTI raikkaaseen ulkoilmaan. Hakeudu lääkärin hoitoon. Olet ehkä saanut hiilidioksidimyrkytyksen.**

- Käytä tätä laitetta VAIN ulkotiloissa, kaukana ikkunoista, ovista tai tuuletusaukoista vähentääksesi hiilidioksidin kerääntymisen vaaraa ja mahdollista joutumista tiloihin, joissa oleskellaan.
- Asenna paristokäyttöiset häikäytoritimet tai verkkokäyttöiset ja paristovarmenteiset häikäytoritimet valmistajan ohjeiden mukaan. Savuhälyttimet eivät havaitse häkää.
- ÄLÄ käytä tuotetta kotona sisällä, autotallissa, kellarissa, ryömintätiloissa, vajoissa tai muissa osittain suljetuissa tiloissa, vaikka niissä olisi tuuletimia tai avoimia ovia ja ikkunoita ilmanvaihtoa varten. Häkä voi kerääntyä tällaisiin tiloihin nopeasti ja säilyä siellä tuntikausia tuotteen sammutuksen jälkeenkin.
- Aseta laite AINA siten, että se on tuulen alapuolella ja että pakoputki osoittaa pois päin tiloista, joissa oleskellaan.

**HUOMAA** Kun tämä moottori lähtee Briggs & Strattonin tehtaalta, siinä ei ole öljyä. Varmista ennen moottorin käynnistämistä, että lisäät öljyä tämän ohjekirjan ohjeiden mukaan. Jos käynnistät moottorin ilman öljyä, se vahingoittuu, eikä sitä voi enää korjata. Takuu ei korvaa sitä.

**Huomio:** Laitteessa saattaa olla kauko-ohjaimia. Tarkista kauko-ohjainten sijainti ja toiminta laitteen käsikirjasta.

1. Tarkasta moottoriöljy. Katso kohta **Öljytason tarkastaminen**.
2. Varmista, että laitteen voimansiirron säätölaitteet, mikäli käytössä, ovat vapaalla.
3. Siirrä kaasuvipu (A, kuva 7) mikäli käytössä, open-asentoon.
4. Siirrä kaasuvipu (C, kuva 7), mikäli käytössä, fast-asentoon. Käytä moottoria FAST-asennossa.
5. Siirrä kaasuvipu (B, kuva 7) kuristusasettoon.

**Huomio:** Polttoainepumppua ei yleensä tarvitse käyttää lämmintä moottoria käynnistettäessä.

6. Työnnä pysäytyskytkin (D, kuva 7), mikäli käytössä, ON-asentoon.
7. **Käsi-käynnistin mikäli käytössä:** Tartu käynnistinnarun kädensijaan tiukasti (E, kuva 7). Vedä käynnistinnarun kädensijaa, kunnes tunnet vastuksen, ja vetäise sen jälkeen nopeasti.



**VAROITUS**

Käynnistinnarun nopea vetäytyminen (takapotku) vetää köyttä kohti moottoria nopeammin kuin ehdit reagoida. Tästä voi seurata luunmurtumia, ruhjeita tai venähdyksiä. Kun käynnistät moottoria, vedä käynnistinnarua hitaasti, kunnes tunnet vastuksen, ja vetäise sen jälkeen nopeasti. Näin vältät takapotkun.

8. **Sähkökäynnistin, mikäli käytössä ja turva-avain (F):** Työnnä turva-avain (F, kuva 7) paikalleen. Paina käynnistyskytkintä (G) hetken aikaa. Kun moottori käynnistyy, vapauta käynnistyskytkin.
9. **Sähkökäynnistin, mikäli käytössä ja sähkökäynnistysvirta-avain (H):** Käännä virta-avain (H, kuva 8) käynnistysasettoon. Kun moottori käynnistyy, vapauta virta-avain.

**HUOMAA** Voit pidentää käynnistimen käyttöikää käynnistämällä moottoria vain lyhyitä jaksoja (korkeintaan viisi sekuntia kerrallaan). Pidä minuutin tauko käynnistysyritysten välillä.

10. Kun moottori on lämmennyt, siirrä rikastimen ohjausvipu (B, kuva 7) ajoasentoon.

*Huomio:* Mikäli moottori ei käynnisty usean vedon jälkeen, katso ohjeet sivulta **BRIGGSandSTRATTON.com** tai ota yhteys paikalliseen jälleenmyyjään tai soita **1-800-233-3723** (Yhdysvalloissa).

## Sammuta moottori



**VAROITUS**

**Polttoaine ja polttoainehöyryt syttyvät erittäin herkästi ja ovat räjähdysherkkiä.**

**Tulipalot ja räjähdys saattavat aiheuttaa vakavia palovammoja tai kuoleman.**

- Älä sammuta moottoria käyttämällä kuristinta.
1. **Nopeudensäädin, mikäli käytössä:** Siirrä kaasuvipu (C, kuva 7) HIDAS-asentoon ja sen jälkeen sammutusasentoon.  
**Sammutuskatkaisin, mikäli käytössä:** Työnnä sammutuskatkaisin (D, kuva 7) sammutusasentoon.  
**Turva-avain, mikäli käytössä:** Irrota turva-avain (F, kuva 7) ja pidä se turvallisessa paikassa poissa lasten ulottuvilta.  
**Virta-avain, mikäli käytössä:** Paina avainkytkin (H, kuva 8) OFF-asentoon. Irrota avain ja pidä se turvallisessa paikassa poissa lasten ulottuvilta.
  2. Kun moottori on sammunut, työnnä polttoaineen sulkuventtiili (A, kuva 7), mikäli käytössä, CLOSED-asentoon.

## Huolto

**HUOMAA** Jos moottori kallistetaan huollon ajaksi, moottoriin kiinnitetyn polttoainesäiliön on oltava tyhjä ja sytytystulpan puolen on oltava ylöspäin. Jollei polttoainesäiliö ole tyhjä ja moottoria kallistetaan muuhun suuntaan, käynnistys voi vaikeutua, koska öljy tai bensiini voi liata ilmanpuhdistimen ja/tai sytytystulpan.



**VAROITUS**

Tehdessäsi huoltotoimenpiteitä, jotka vaativat laitteen kallistamista, polttoainesäiliön on oltava tyhjä tai polttoainetta saattaa vuotaa ulos jolloin tuloksena voi olla tulipalo tai räjähdys.

Suosittellemme, että otat yhteyttä mihin tahansa valtuutettuun Briggs & Stratton -huoltoliikkeeseen kaikissa moottoreiden huolto- ja korjausta ja moottoreiden varaosia koskevilla kysymyksillä.

**HUOMAA** Kaikkien tämän moottorin valmistuksessa käytettyjen osien on oltava paikoillaan, jotta moottori toimisi kunnolla.



**VAROITUS**

**Hallitsematon kipinöinti voi aiheuttaa tulipalon tai sähköiskun.**

**Tahaton käynnistyminen voi johtaa takertumiseen, traumaattiseen amputaatioon tai haavautumiseen.**

**Tulipalon vaara**

**Ennen säätö- tai korjaustoimenpiteitä:**

- Irrota sytytystulpan johto ja pidä se kaukana sytytystulpasta.
- Irrota akun negatiivinen kaapeli (vain sähkökäynnistimellä varustetut moottorit).
- Käytä ainoastaan oikeita työkaluja.
- Älä koske keskipakosäätimen jouseen, niveliin tai muihin osiin moottorin nopeuden lisäämiseksi.
- Varaosien on oltava samanlaisia ja ne on asennettava samaan asentoon kuin alkuperäisetkin osat. Muut osat eivät välttämättä toimi yhtä tehokkaasti ja voivat vahingoittaa laitetta ja aiheuttaa loukkaantumisia.
- Älä lyö vauhtipyörää vasaralla tai kovalla esineellä, koska vauhtipyörä voi hajota pirstaleiksi myöhemmin käytön aikana.

**Sytytyskipinän testaaminen:**

- Käytä hyväksyttyä sytytystulpan testeriä.
- Älä tarkista kipinöintiä sytytystulpan ollessa irti.

## Päästöjenrajoitusjärjestelmän huolto

**Päästöjenrajoitusjärjestelmän laitteiden ja osien huollon, vaihdon tai korjauksen voi suorittaa mikä tahansa työkonemoottoreiden korjausliike tai yksityinen korjaaja.** Pakokaasupäästöjen tarkastus on kuitenkin ilmainen vain, jos työn suorittaa tehtaan valtuuttama jälleenmyyjä. Katso päästöjen rajoitusta koskevat lauseimat.

## Huoltoaikataulu

5 ensimmäisen käyttötunnin jälkeen
<ul style="list-style-type: none"><li>• Vaihda öljy</li></ul>
8 tunnin välein tai päivittäin
<ul style="list-style-type: none"><li>• Tarkasta moottorin öljytaso</li><li>• Puhdista äänenvaimentimen ja säätimien ympäristö</li><li>• Puhdista ilmanottoaukon ritilä</li></ul>
Joka 25. tunti tai vuosittain
<ul style="list-style-type: none"><li>• Puhdista ilmansuodatin <sup>1</sup></li><li>• Puhdista esipuhdistin (mikäli käytössä) <sup>1</sup></li></ul>
Joka 50. tunti tai vuosittain
<ul style="list-style-type: none"><li>• Vaihda moottoriöljy</li><li>• Pakojärjestelmän huolto</li></ul>
100 ensimmäisen käyttötunnin jälkeen
<ul style="list-style-type: none"><li>• Vaihda alennusvaihteen (mikäli käytössä) öljy</li></ul>
Vuosittain
<ul style="list-style-type: none"><li>• Vaihda sytytystulppa</li><li>• Vaihda ilmansuodatin</li><li>• Vaihda esipuhdistin (mikäli käytössä)</li><li>• Vaihda öljynsuodatin (mikäli käytössä)</li><li>• Huolla polttoainejärjestelmä</li><li>• Jäähdytysjärjestelmän huolto <sup>1</sup></li><li>• Tarkista venttiilivälitys <sup>2</sup></li></ul>

<sup>1</sup> Puhdista useammin pölyisissä tai roskaisissa olosuhteissa.

<sup>2</sup> Ei tarvita, jollei moottorin toiminnassa havaita ongelmia.

## Kaasutin ja moottorin käyntinopeus

Älä koskaan tee säätöjä kaasuttimeen tai moottorin kierroslukuuun. Kaasutin on säädetty tehtaalla toimimaan tehokkaasti yleisimmissä olosuhteissa. Älä peukaloiki kierroslukurajoittimen jousta, vivustoa tai muita osia muuttaaksesi moottorin käyntinopeutta. Jos moottoriin on tehtävä mitään tahansa säätöjä, ota yhteys valtuutettuun Briggs & Stratton -huoltoliikkeeseen.

**HUOMAA** Laittevalmistaja määrittää laitteeseen asennetun moottorin enimmäiskäyntinopeuden. **Älä ylitä** tätä nopeutta. Jos et tiedä varmasti moottorin enimmäiskäyntinopeutta tai tehdasasetteista käyntinopeutta, ota yhteys valtuutettuun Briggs & Stratton -huoltoliikkeeseen. Laitteen turvallisen ja oikean toiminnan varmistamiseksi moottorin käyntinopeuden saa säätää ainoastaan valtuutettu huoltoteknikko.

## Huolla sytytystulpat

Katso kuva . 9

Tarkista rako (A, kuva 9) lankatulkilla (B). Säädä rako tarvittaessa uudelleen. Asenna ja kiristä sytytystulppa suositeltuun momenttiin. Katso rakoa ja kiristysmomenttia koskevat tiedot kohdasta **Tekniset tiedot**.

*Huomio:* Eräissä maissa laki vaatii vastussytytystulppien käyttämistä sytytyksestä aiheutuvien häiriöiden vaimentamiseksi. Jos moottorissa on alun perin vastussytytystulppa, käytä samantyyppistä tulppaa myös jatkossa.

# Pakokaasujärjestelmän huoltaminen



**VAROITUS**

**Moottorin käydessä syntyy lämpöä. Moottorin osat, erityisesti vaimennin, tulevat erittäin kuumiksi.**

**Osien koskettaminen saattaa aiheuttaa vakavia palovammoja.**

**Syttyvät roskat, kuten lehdet, ruoho, jne. saattavat syttyä palamaan.**

- Anna vaimentimen, moottorin sylinterin ja jäähdytysripien jäähtyä ennen niihin koskemista.
- Poista kerääntyneet roskat vaimentimen ja sylinterin läheltä.
- Kalifornian luonnonvaralain 4442 §:n mukaan on kiellettyä käyttää tai ajaa laitetta metsä-, pensas- tai ruohopeitteisellä maalla tai sellaisen lähellä, ellei pakojärjestelmään ole asennettu 4442 §:n mukaista toimintakuntoista kipinäsuojaa. Muissa osavaltioissa tai eri liittovaltioiden alueilla voi olla voimassa samanlaisia lakeja. Ota yhteys alkuperäisen laitteen valmistajaan, jälleenmyyjään tai vähittäiskauppiaseen saadaksesi tälle moottorille suunniteltuun pakokaasujärjestelmään sopivan kipinänsammuttimen.

Poista kerääntyneet roskat vaimentimen ja sylinterin läheltä. Tarkasta äänenvaimentimen vaikeamat, syöpymiset tai muut vauriot. Poista kipinäsuojus, jos varusteena, ja tarkasta vaurioiden tai hiilitukoksen varalta. Jos vaurioita löytyy, asenna varaosat ennen käyttöä.



**VAROITUS**

Varaosien on oltava samanlaisia ja ne on asennettava samaan asentoon kuin alkuperäisetkin osat. Muut osat eivät välttämättä toimi yhtä tehokkaasti ja voivat vahingoittaa laitetta ja aiheuttaa loukkaantumisia.

## Vaihda moottoriöljy

Katso kuva: 10, 11, 12

Käytetty öljy on ongelmajätettä, ja se on annettava käsiteltäväksi asianmukaisesti. Älä hävitä sitä talousjätteen joukossa. Tarkista paikallisilta jätehuoltoviranomaisilta, huollosta tai jälleenmyyjältä, miten öljy voidaan hävittää/kierrättää turvallisesti.

### Öljyn poistaminen

1. Kun moottori on vielä lämmin, irrota sytytystulpan johto (D, kuva 10) pidä se erillään sytytystulpasta (E).
2. Irrota öljynpoistoaukon tulppa (F, kuva 11). Valuta öljy hyväksytyyn säiliöön.

**Huomio:** Moottoriin voidaan asentaa mikä tahansa kuvassa (G, kuva 11) näkyvistä öljynpoistoaukon tulpista.

3. Kun öljysäiliö on tyhjentynyt, asenna öljyntäyttöaukon tulppa (F, kuva 11) paikalleen ja kiristä tiukalle.

### Öljyn lisääminen

- Varmista, että moottori on vaakasuorassa.
- Puhdista öljyntäyttöalueelta kaikki roskat.
- Katso öljytilavuus luvusta **Tekniset tiedot**.

### Öljyntäyttöaukon korkki, mikäli käytössä

1. Irrota öljynpoistoaukon tulppa (H, kuva 11).
2. Valuta öljyä hitaasti moottorin täyttöaukkoon (C, kuva 11). Lisää öljyä piripintaan asti.
3. Asenna ja kiristä öljyntäyttöaukon tulppa uudelleen (H, kuva 11).
4. Kytke sytytystulpan johto (D, kuva 10) sytytystulppaan (E).

### Lyhyt mittatikku, mikäli käytössä.

1. Poista mittatikku (A, kuva 11) ja pyyhi se puhtaalla kankaalla.
2. Valuta öljyä hitaasti moottorin täyttöaukkoon (C, kuva 11). Lisää öljyä piripintaan asti.

3. Asenna mittatikku (A, kuva 11) paikalleen. **Älä käännä tai kiristä.** Irrota mittatikku ja tarkasta öljytaso. Öljytaso on oikea, kun öljy ulottuu mittatikuksen täyttätasoa osoittavan merkin yläosaan (B).
4. Asenna ja kiristä mittatikku uudelleen (A, kuva 11).
5. Kytke sytytystulpan johto (D, kuva 10) sytytystulppaan (E).

### Pidennetty mittatikku, mikäli käytössä.

1. Poista mittatikku (A, kuva 12) ja pyyhi se puhtaalla kankaalla.
2. Valuta öljyä hitaasti moottorin täyttöaukkoon (C, kuva 12). **Älä täytä liikaa.** Odota lisäyksen jälkeen minuutti ja tarkasta öljytaso uudelleen.
3. Asenna ja kiristä mittatikku (A, kuva 12).
4. Irrota mittatikku ja tarkasta öljytaso. Öljytaso on oikea, kun öljy ulottuu mittatikuksen täyttätasoa osoittavan merkin yläosaan (B, kuva 12).
5. Asenna ja kiristä mittatikku uudelleen (A, kuva 12).
6. Kytke sytytystulpan johto (D, kuva 10) sytytystulppaan (E).

## Vaihda alennusvaihteen öljy

Katso kuva: 13, 14

### 6:1 alennusvaihte (kuva 13)

Mikäli koneessasi on 6:1 alennusvaihteyksikkö, huolla se seuraavalla tavalla:

1. Poista öljyntäyttöaukon tulppa (A, kuva 13) ja öljymäärän tarkistustulppa (B).
2. Poista öljyn tyhjennystulppa (C, kuva 13) ja tyhjennä öljy sopivaan astiaan.
3. Asenna öljyn tyhjennystulppa (C, kuva 13) takaisin paikoilleen ja kiristä kiinni.
4. Kaada vaihteistoöljyä (katso luku **Tekniset tiedot**) hitaasti öljyntäyttöaukkoon (D, kuva 13). Jatka kaatamista, kunnes öljyä tulee ulos öljymäärän tarkistusreiästä (E).
5. Asenna ja kiristä öljymäärän tarkistustulppa uudelleen (B, kuva 13).
6. Asenna ja kiristä öljyntäyttöaukon tulppa uudelleen (A, kuva 13).

**Huomio:** Öljyntäyttöaukon tulpassa (A, kuva 13) on huuhotusreiä (F) ja se täytyy asentaa vaihtekotelon kannen yläosaan kuvan osoittamalla tavalla.

### 2:1 alennusvaihte (kuva 14)

2:1 alennusvaihteyksikkö (G, kuva 14) ei tarvitse öljynvaihtoa.

## Huolla ilmanpuhdistin

Katso kuva: 15, 16, 17



**VAROITUS**

**Polttoaine ja polttoainehöyryt syttyvät erittäin herkästi ja ovat räjähdysherkkiä.**

**Tulipalot ja räjähdys saattavat aiheuttaa vakavia palovammoja tai kuoleman.**

- Älä koskaan käynnistä tai käytä moottoria, jos ilmanpuhdistin (mikäli käytössä) tai ilmansuodatin (mikäli käytössä) on irrotettu.

**HUOMAA** Älä käytä suodattimen puhdistamiseen paineilmaa äläkä liuottimia. Paineilma voi vahingoittaa suodatinta ja liuottimet sulattavat sen.

Katso huoltovaatimukset **huoltokaaviosta**.

Eri malleissa on joko vaahtomuovinen tai paperinen suodatin. Joissakin malleissa on lisäksi esipuhdistin, joka voidaan pestä ja käyttää uudelleen. Vertaa tämän käyttöoppaan kuvitusta omaan koneeseesi asennettuun malliin ja huolla se seuraavalla tavalla.

### Paperinen ilmansuodatin

1. Löysää kiinnikkeet (A, kuva 15, 16).
2. Irrota kansi (B, kuva 15, 16).
3. Irrota esipuhdistin (C, kuva 15, 16), mikäli käytössä, ja suodatin (D).
4. Irrota roskat napauttamalla varovasti suodatinta (D, kuva 15, 16) kovaa pintaa vasten. Vaihda erityisen likainen suodatin uuteen.
5. Pese esipuhdistin (C, kuva 15, 16), mikäli käytössä, nestemäisellä pesuaineella ja vedellä. Anna esipuhdistimen kuivua perusteellisesti. **Älä** öljyä esipuhdistinta.
6. Asenna kuiva esipuhdistin (C, kuva 15, 16), mikäli käytössä, suodattimeen (D) siten, että esipuhdistimen kieli (G) on suodattimen laskosten pohjalla.
7. Asenna suodatin (D, kuva 15, 16).

- Malleissa, jotka on varustettu kuvan 15 mukaisella ilmansuodattimella, asenna kannen kielekkeet (E) aukkoihin (F).
- Asenna kansi (B, kuva 15, 16) paikalleen ja kiinnitä kiinnittimillä (A).

## Paperinen ilmansuodatin

- Löysää kiinnikkeet (A, kuva 17).
- Irrota kansi (B, kuva 17).
- Irrota esipuhdistin (C, kuva 17) suodattimesta (D).
- Irrota roskat napauttamalla varovasti suodatinta (D, kuva 17) kovaa pintaa vasten. Vaihda erityisen likainen suodatin uuteen.
- Irrota esipuhdistin (C, kuva 17), mikäli käytössä, suodattimesta (D).
- Pese esipuhdistin (C kuva 17), mikäli käytössä, nestemäisellä pesuaineella ja vedellä. Anna esipuhdistimen kuivua perusteellisesti. **Älä** öljyä esipuhdistinta.
- Asenna kuiva esipuhdistin (C, kuva 17), mikäli käytössä, suodattimeen (D).
- Aseta suodatin (D, kuva 17) ja esipuhdistin (C) ilmansuodattimen pohjalle (E) ja pintapultille (F). Varmista, että suodatin on kunnolla kiinni rungossa.
- Asenna kansi (B, kuva 17) paikalleen ja kiinnitä kiinnittimillä. (A). Varmista, että kiinnittimet ovat tiukalla.

## Polttoainejärjestelmän huolto

Katso kuva: 18, 19



**VAROITUS**

**Polttoaine ja polttoainehöyryt syttyvät erittäin herkästi ja ovat räjähdysherkkiä.**

**Tulipalot ja räjähdys saattaa aiheuttaa vakavia palovammoja tai kuoleman.**

- Suojaa polttoaine kipinöiltä, avotulelta, sytytysliekiltä, lämmöltä ja muilta sytytyslähteiltä.
- Tarkista polttoaineputket, säiliö, korkki ja liitokset murtumien ja vuotojen varalta. Vaihda tarvittaessa.
- Ennen polttoainesuodattimen puhdistamista tai vaihtamista, tyhjennä polttoainesäiliö tai sulje polttoaineen sulkuventtiili.
- Jos polttoainetta läikkyi koneelle, odota sen haihtumista, ennen kuin käynnistät moottorin.
- Varaosien täytyy olla oikean tyyppisiä ja ne on asennettava saman asentoon kuin alkuperäisosat.

## Polttoainesuodatin, mikäli käytössä

- Ennen polttoainesuodattimen (A, kuva 18), puhdistamista tai vaihtamista, tyhjennä polttoainesäiliö tai sulje polttoaineen sulkuventtiili. Muussa tapauksessa polttoainetta saattaa vuotaa ulos ja aiheuttaa tulipalon tai räjähdyksen.
- Käytä pihtejä ja purista kielekkeitä (B, kuva 18) jotka ovat kiinnikkeissä (C). Liu'uta kiinnikkeet sitten pois polttoainesuodattimesta (A). Käännä ja vedä polttoaineletkut (D) irti polttoainesuodattimesta.
- Tarkista, onko polttoaineletkuissa (D, kuva 18) halkeamia tai vuotokohtia. Vaihda tarvittaessa.
- Vaihda polttoainesuodattimen (A, kuva 18) tilalle alkuperäinen vaihtosuodatin.
- Kiinnitä polttoaineletkut (D, kuva 18) kielekkeillä (C), kuvan esittämällä tavalla.

## Polttoainesiivilä, mikäli käytössä

- Irrota polttoainesiivilän korkki (A, Kuva 19).
- Irrota polttoainesiivilä (B, kuva 19).
- Jos polttoainesiivilä on likainen, puhdista tai vaihda se. Jos vaihdat polttoainesiivilän, varmista, että käytät alkuperäislaitteen varaosasiivilää.

## Jäähdytysjärjestelmän huoltaminen



**VAROITUS**

**Moottorin käydessä syntyy lämpöä. Moottorin osat, erityisesti vaimennin, tulevat erittäin kuumiksi.**

**Osien koskettaminen saattaa aiheuttaa vakavia palovammoja.**

**Syttyvät roskat, kuten lehdet, ruoho, jne. saattavat syttyä palamaan.**

- Anna vaimentimen, moottorin sylinterin ja jäähdytysriipojen jäähtyä ennen niihin koskemista.
- Poista kerääntyneet roskat vaimentimen ja sylinterin läheltä.

**HUOMAA** Älä puhdista moottoria vedellä. Vesi saattaa tunkeutua polttoainejärjestelmään. Puhdista moottori harjalla tai kuivalla kankaalla.

Tämä on ilmajäähdytteinen moottori. Lika ja roskat voivat estää ilman virtauksen ja aiheuttaa moottorin ylikuumentumisen, mikä heikentää moottorin tehoa ja lyhentää sen käyttöikää.

- Poista ilmanottoaukkoon kerääntyneet roskat harjalla tai kuivalla kankaalla.
- Pidä vivusto, jouset ja säätimet puhtaina.
- Pidä äänenvaimentimen (jos asennettu) ympärillä ja takana olevat alueet puhtaina tulenaroista roskista.
- Varmista, ettei öljynjäähdyttimen lamelleissa (jos asennettu) ole likaa tai roskaa.

Ajan mittaan lika saattaa kertyä sylinterin jäähdytysriipoihin ja aiheuttaa moottorin ylikuumentumisen. Tätä likaa ei voi poistaa ilman moottorin osittaista purkamista. Pyydä valtuutettua Briggs & Stratton -huoltoilijää tarkastamaan ja puhdistamaan ilmajäähdytysjärjestelmä noudattaen ohjeita, jotka esitetään kohdassa **Kunnossapidon aikataulu**.

## Varastointi



**VAROITUS**

**Polttoaine ja polttoainehöyryt ovat erittäin tulenarkoja ja räjähdysherkkiä.**

**Tulipalo tai räjähdys voi aiheuttaa vakavia palovammoja tai kuoleman.**

**Polttoaineen tai laitteen varastointi, kun tankissa on polttoainetta**

- Älä varastoi lämmityskattilan, uunin, vedenlämmittimen tai muun kipinän aikaansaavan laitteen läheisyyteen, sillä ne voivat sytyttää polttoaineen höyrystyvät kaasut.

## Polttoainejärjestelmä

Katso kuva: 20

Varastoi moottori vaakatasossa (normaalissa käyttöasennossa). Täytä polttoainesäiliö (A, kuva 20) polttoaineella. Älä täytä polttoainesäiliötä yli sen kaulan (B), jotta polttoaineen laajenemiselle jää tilaa.

Polttoaine voi vanhentua, jos sitä säilytetään yli 30 päivää. Vanhentunut polttoaine saattaa aiheuttaa happo- ja hartsimuodostumisen syntyminen polttoainejärjestelmään tai tärkeisiin kaasuttimen osiin. Polttoaineen säilyvyyden vuoksi käytä **Briggs & Stratton Advanced Formula Fuel Treatment & Stabilizer -polttoaineen lisäainetta**, jota on saatavilla myyntipisteistä, joissa on tarjolla Briggs & Stratton -alkuperäisvaraosia.

Polttoainetta ei tarvitse tyhjentää moottorista, jos polttoaineen stabilointiainetta lisätään ohjeiden mukaisesti. Käytä moottoria kahden (2) minuutin ajan, jotta stabilointiaine kulkeutuu kaikkialle polttoainejärjestelmään ennen varastointia.

Jos polttoainetta ei ole käsitelty stabilointiaineella, se on tyhjennettävä sopivaan astiaan. Anna moottorin käydä, kunnes se pysähtyy polttoaineen loppumisen vuoksi. On suositeltavaa lisätä polttoaineen lisäainetta varastointiastiaan, jotta polttoaine säilyy tuoreena.

## Moottoriöljy

Vaihda moottoriöljy kun moottori on vielä lämmin. Katso kohta **Vaihda moottoriöljy**.

## Vianmääritys

Ota yhteyttä paikalliseen jälleenmyyjään tai katso ohjeet sivulta **BRIGGSandSTRATTON.com** tai soita numeroon **1-800-233-3723** (Yhdysvalloissa).

## Tekniset tiedot

Malli: 120000	
Iskutilavuus	12.48 ci (205 cc)
Sylinterin halkaisija	2.688 in (65,28 mm)
Iskun pituus	2.200 in (55,88 mm)
Öljyttilavuus	18 - 20 oz (,54 - ,59 L)
Alennusvaihteen öljytyyppi	80W-90

Malli: 120000	
Alennusvaihteen öljytilavuus	4 oz (0,12 L)
Tulpan kärkiväli	.030 in (.76 mm)
Sytytystulpan kiristysarvo	180 lb-in (20 Nm)
Sytytyspuolan ilmaväli	.010 - .014 in (.25 - .36 mm)
Imuventtiilin välys	.004 - .006 in (.10 - .15 mm)
Pakovoventtiilin välys	.009 - .011 in (.23 - .28 mm)

Malli: 150000	
Iskutilavuus	15.24 ci (250 cc)
Sylinterin halkaisija	2.970 in (75,44 mm)
Iskun pituus	2.200 in (55,88 mm)
Öljytilavuus	18 - 20 oz (.54 - .59 L)
Alennusvaihteen öljytyyppi	80W-90
Alennusvaihteen öljytilavuus	4 oz (0,12 L)
Tulpan kärkiväli	.030 in (.76 mm)
Sytytystulpan kiristysarvo	180 lb-in (20 Nm)
Sytytyspuolan ilmaväli	.010 - .014 in (.25 - .36 mm)
Imuventtiilin välys	.004 - .006 in (.10 - .15 mm)
Pakovoventtiilin välys	.009 - .011 in (.23 - .28 mm)

Malli: 200000	
Iskutilavuus	15.63 ci (305 cc)
Sylinterin halkaisija	3.120 in (79,24 mm)
Iskun pituus	2.438 in (61,93 mm)
Öljytilavuus	26 - 28 oz (.77 - .83 L)
Alennusvaihteen öljytyyppi	SAE 30
Alennusvaihteen öljytilavuus	12 oz (.35 L)
Tulpan kärkiväli	.030 in (.76 mm)
Sytytystulpan kiristysarvo	180 lb-in (20 Nm)
Sytytyspuolan ilmaväli	.008 - .012 in (.20 - .30 mm)
Imuventtiilin välys	.004 - .006 in (.10 - .15 mm)
Pakovoventtiilin välys	.004 - .006 in (.10 - .15 mm)

Malli: 210000	
Iskutilavuus	20.85 ci (342 cc)
Sylinterin halkaisija	3.300 in (83,81 mm)
Iskun pituus	2.438 in (61,93 mm)
Öljytilavuus	26 - 28 oz (.77 - .83 L)
Alennusvaihteen öljytyyppi	SAE 30
Alennusvaihteen öljytilavuus	12 oz (.35 L)
Tulpan kärkiväli	.030 in (.76 mm)
Sytytystulpan kiristysarvo	180 lb-in (20 Nm)
Sytytyspuolan ilmaväli	.008 - .012 in (.20 - .30 mm)
Imuventtiilin välys	.004 - .006 in (.10 - .15 mm)
Pakovoventtiilin välys	.004 - .006 in (.10 - .15 mm)

Moottorin teho laskee 3,5% jokaista 1000 jalkaa (300 metriä) kohti merenpinnan yläpuolella ja 1% jokaista 10° F (5,6° C) kohti lämpötilassa yli 77° F (25° C). Moottori toimii moitteettomasti aina 15° kulmaan saakka. Katso käyttöohjekirjasta turvalliset käyttörajat kaltevilla pinnoilla.

Huolto-osat - Malli: 120000, 150000, 200000, 210000	
Huolto-osa	Varaosanumero
Tasainen ilmansuodatin	491588, 5043
Tasainen ilman esipuhdistin	493537, 5064
Soikea ilmansuodatin (Mallit 120000, 150000)	697029, 5059

Huolto-osat - Malli: 120000, 150000, 200000, 210000	
Soikea ilman esipuhdistin (Mallit 120000, 150000)	273356
Soikea ilmansuodatin (Mallit 200000, 210000)	695302
Soikea ilman esipuhdistin (Mallit 200000, 210000)	695303
Polttoainesuodatin	694485
Advanced Formula Fuel Treatment and Stabilizer-polttoaineen lisäaine	100117, 100120
Vastussytytystulppa	491055
Platinakärkitulppa	5066
Sytytystulppa-avain	89838, 5023
Kipinätesteri	19368

Suosittellemme, että otat yhteyttä mihin tahansa valtuutettuun Briggs & Stratton -huoltoilikeeseen kaikissa moottoreiden huoltoja ja korjausta ja moottoreiden varaosia koskeissa kysymyksissä.

**Nimellisteho:** Erillisten kaasumoottorimallien nimellisteho on merkitty SAE-koodilla (Society of Automotive Engineers) J1940 Pienten moottorien teho- ja momenttiluokitusmenetelmä, ja luokiteltu SAE J1995 -standardin mukaisesti. Momenttiarvot johdetaan 2600 RPM:n nopeudella moottoreille, joiden etiketissä on "rpm" ja 3060 RPM:n nopeudella kaikille muille. Hevosvoiman arvot johdetaan nopeudella 3600 RPM. Bruttotehokäyrät ovat nähtävissä osoitteessa [www.BRIGGSandSTRATTON.COM](http://www.BRIGGSandSTRATTON.COM) Nettotehoarvot on mitattu pakoputki ja ilmanpuhdistin asennettuina, mutta bruttotehoarvot kerätään ilman näitä oheislaitteita. Moottorin todellinen bruttoteho on nettotehoa suurempi, koska siihen vaikuttavat mm. ympäristön käyttöolosuhteet ja moottorikohtaiset vaihtelut. Koska moottoreita asennetaan hyvin erilaisiin laitteisiin, bensiinimoottori ei ehkä kehitä sille ilmoitettua bruttotehoa yksittäisessä moottoroidussa laitteessa. Ero johtuu monista tekijöistä, joita voivat olla esimerkiksi moottorin eri komponentit (ilmanpuhdistin, pakosarja, laturi, jäähdytin, kaasutin, polttoainepumppu jne.), käyttörajoitukset, ympäristön käyttöolosuhteet (lämpötila, kosteus, korkeus merenpinnasta) sekä moottorikohtainen vaihtelu. Luettelo ei ole rajoittava. Valmistus- ja kapasiteettirajoitusten vuoksi Briggs&Stratton voi vaihtaa moottorin saman sarjan tehokkaampaan versioon.

## Takuu

### Briggs & Stratton -moottorin takuu

Voimassa tammikuusta 2017 alkaen

#### Rajoitettu takuu

Briggs & Stratton takaa, että alla määritettynä takuuaikana se korjaa tai vaihtaa veloituksetta osan tai osat, joissa on materiaali- ja/tai valmistusvika. Takuukorjattavan tai takuuvaihdettavan tuotteen kuljetuskustannukset on ostajan maksettava. Tämä takuu on voimassa alla esitetyn ajan ja alla esitetyillä ehdoilla. Etsi lähin valtuutettu huoltoilike takuuhoitoa varten jälleenmyyjäkartaltamme osoitteesta [BRIGGSandSTRATTON.COM](http://BRIGGSandSTRATTON.COM). Ostajan täytyy olla yhteydessä valtuutettuun huoltomyyjään ja toimittaa tuote valtuutetulle huoltomyyjälle tarkistusta varten.

**Muuta nimenomaista takuuta ei myönnetä. Epäsuorat takuut, mukaan lukien takuut myyntikelpoisuudesta ja soveltuvuudesta johonkin tiettyyn tarkoitukseen, rajoittavat takuuaikaa, joka on listattu alapuolella, tai lain sallimien rajojen mukaan.** Vastuu tahattomista tai vällillisistä vahingoista ei kuulu tämän takuun piiriin, jos laki sallii tällaisen takuurajoituksen. Jotkin osavaltiot tai maat eivät salli rajoituksia sen suhteen, kuinka pitkään epäsuora takuu kestää, ja jotkin osavaltiot tai maat eivät salli satunnaisten tai vällillisten vahinkojen poissulkemista tai rajoittamista, joten yläpuolella mainittu rajoitus ja poissulkeminen ei välttämättä koske sinua. Tämä takuu antaa Teille nimenomaiset lailliset oikeudet ja Teillä voi olla myös muita Suomen lain mukaisia oikeuksia <sup>4</sup>.

#### Normaalit takuehdot 1, 2, 3

Merkki / Tuotenimi	Kulutajakäyttö	Kaupallinen käyttö
Vanguard™; Commercial Series	36 kuukautta	36 kuukautta
Valurautaisella Dura-Bore™-valurautaputkella varustetut moottorit	24 kuukautta	12 kuukautta
Kaikki muut moottorit	24 kuukautta	3 kuukautta

<sup>1</sup>Nämä ovat tavanomaiset takuehtomme; takuu saattaa toisinaan kattaa myös muita alueita, joita ei ole määritetty julkaisuhetkellä. Katso moottoriaasi koskevat tämänhetkiset takuehdot osoitteesta [BRIGGSandSTRATTON.com](http://BRIGGSandSTRATTON.com) tai ota yhteyttä lähimpään Briggs & Stratton -huoltoilikeeseen.

<sup>2</sup>Takuu ei koske moottoreita, joita käytetään kaupallisissa tarkoituksissa ensisijaisena voimanlähteenä tai varageneraattorina. Kilpa-ajoissa tai kaupallisilla tai vuokratuilla käytettäviä moottoreita takuu ei koske.

<sup>3</sup>Vanguard asennettuna varageneraattoreihin: 24 kuukautta yksityiskäytössä, takuu ei koske kaupallista käyttöä. Vanguard asennettuna hyötyajoneuvoihin: 24 kuukautta yksityiskäytössä, 24 kuukautta kaupallisessa käytössä. Commercial Series, joiden

valmistuspäivä on ennen heinäkuuta 2017, 24 kuukautta yksityiskäytössä, 24 kuukautta kaupallisessa käytössä.

<sup>4</sup> Australiassa - Tuotteissamme on takuu, jota ei Australian kuluttajansuojalain mukaisesti voi sivuuttaa. Olet oikeutettu vaihtoon tai hyvitykseen merkittävästä viasta ja korvaukseen muusta kohtuullisessa määrin ennakoitavasta tappiosta tai vahingosta. Olet myös oikeutettu tuotteiden korjaukseen tai vaihtoon, jos niiden laatu ei ole hyväksyttävä, vaikka vikaa ei katsottaisi merkittäväksi viaksi. Ota takuuhuoltoon liittyvissä asioissa yhteyttä lähimpään valtuutettuun Briggs & Stratton - huoltoliikkeeseen, jonka löydät jälleenmyyjien kartaltamme osoitteesta BRIGGSandSTRATTON.COM. Voit myös soittaa numeroon 1300 274 447 tai lähettää sähköpostia tai postia osoitteeseen salesenquires@briggsandstratton.com.au, Briggs & Stratton Australia Pty Ltd, 1 Moorebank Avenue, Moorebank, NSW, Australia, 2170.

Takuuaika alkaa sitä päivästä, kun tuote hankitaan ensimmäisen kerran kuluttaja- tai kaupalliseen käyttöön. "Kuluttajakäytöllä" tarkoitetaan vähittäisasiakkaan henkilökohtaista kotitalouskäyttöä. "Kaupallisella käytöllä" tarkoitetaan kaikkea muuta käyttöä, kuten käyttöä kaupalliseen toimintaan, tulonhankintaan tai vuokraukseen. Jos moottori on ollut kaupallisessa käytössä, sitä pidetään sen jälkeen kaupalliseen käyttöön tarkoitettuna moottorina tämän takuun osalta.

**Säilytä kuitenkin kuitti ostotodistuksena. Jollet pysty osoittamaan laitteen alkuperäistä ostopäivää takuuhuollon yhteydessä, tuotteen valmistuspäivä katsotaan takuuajan alkupäiväksi. Tuotteen rekisteröinti ei ole pakollista takuuhuollon saamiseksi Briggs & Stratton -tuotteille.**

#### Takuuehdot

Tämä takuu kattaa vain moottoriin liittyvät vialliset materiaalit ja/tai työvirheet eikä mitään vaihto-osia eikä korvausta laitteesta, johon moottori on kiinnitetty. Tämä takuu ei kata säännöllisesti suoritettavia huoltotoimenpiteitä, vurityksiä, säätöjä tai tavallista kulumista. Takuu ei myöskään ole voimassa siinä tapauksessa, että moottoria on muunneltu tai moottorin sarjanumero on sotkettu tai poistettu. Tämä takuu ei kata moottorivaurioita tai suorituskykyyn liittyviä ongelmia, jotka ovat aiheutuneet seuraavista syistä:

1. Muiden kuin alkuperäisten Briggs & Stratton -osien käyttö;
2. Moottorin käyttäminen riittämättömän öljymäärän, likaantuneen öljyn tai väärän öljyalaadun kanssa;
3. Likaantuneen tai vanhan polttoaineen käyttö, etanolilla käsitellyn bensiinin, jonka etanolipitoisuus on yli 10 % tai vaihtoehtoisten polttoaineiden, kuten nestekaasun tai maakaasun käyttö moottoreissa, joita Briggs & Stratton ei ole alun perin suunnitellut/valmistanut toimimaan sellaisilla polttoaineilla;
4. Lika, joka on päässyt moottoriin, koska ilmanpuhdistin on huollettu tai koottu väärin;
5. Pyörivän ruohonleikkurin leikkausterän iskeytyminen johonkin esineeseen, löysät tai väärin asennetut teränsäkiinnikkeet, tuulettimet tai muut kampiakseliin kytketyt laitteet tai kiilahihnan liiallinen kireys;
6. Moottoriin liittyvät osat tai kokoonpanot, kuten kytkimet, voimansiirto, laitteiston ohjaimet jne., jotka eivät ole Briggs & Strattonin toimittamia;
7. Ylikuumentuminen, joka johtuu leikkuujätteistä, liasta ja roskista tai jyräjoiden pesistä, jotka tukkivat jäähdytysriipojen tai juoksupyörän alueen, tai moottorin käyttämisestä ilman riittävää ilmanvaihtoa;
8. Liiallinen tärinä, joka johtuu ylikierroksista, moottorin löysästä kiinnityksestä, löysistä tai epätasapainossa olevista tuulettimista tai laitteen osien vääränlaisesta kiinnityksestä kampiakseliin;
9. Laitteiston väärinkäyttö, säännöllisen kunnossapidon laiminlyönti, kuljetus, käsittely tai varastointi tai moottorin väärä asennus.

**Takuuhuoltoa on saatavilla ainoastaan Briggs & Stratton valtuuttamissa huoltopisteissä. Lähimmän valtuutetun huolto liikkeen löydät verkkosivulla BRIGGSandSTRATTON.COM löytyvän jälleenmyyjäkartan avulla tai soittamalla numeroon 1-800-233-3723 (USA:ssa).**

80004537 (versio C)



Ce manuel contient des informations relatives à la sécurité afin que vous connaissiez les dangers et risques qui sont liés aux souffleuses à neige et la façon de les éviter. Il contient également des directives sur la bonne utilisation et le bon entretien du moteur. Dans la mesure où Briggs & Stratton Corporation ne connaît pas nécessairement quel équipement ce moteur alimentera, il est important que vous lisiez et compreniez ces directives ainsi que celles se rapportant à l'équipement. **Conserver ces instructions d'origine pour référence future.**

*Remarque :* Les données et illustrations de ce manuel sont fournies pour votre référence uniquement et peuvent différer en fonction du modèle. Contacter votre revendeur si vous avez des questions.

Pour obtenir des pièces de rechange ou une assistance technique, enregistrez le modèle, le type, les numéros de code ainsi que la date d'acquisition du moteur. Ces numéros sont situés sur le moteur (voir la section **Fonctions et commandes**).


Date d'achat	
Modèle – Type – Coupe du moteur	
Numéro de série du moteur	


Recherche le code à barre 2D se trouvant sur certains moteurs. Lorsque le code est lu avec un appareil 2D, il vous amènera sur notre site Web où vous pourrez trouver une assistance pour ce produit. Les taux de données s'appliquent. Certains pays n'ont peut-être pas une assistance en ligne.





## Sécurité de l'opérateur

### Symbole de sécurité et termes indicateurs

Le symbole de sécurité  permet d'identifier les informations de sécurité sur les dangers pouvant blesser quelqu'un. Un mot-indicateur (DANGER, AVERTISSEMENT ou ATTENTION) est utilisé avec le symbole d'alerte pour indiquer la probabilité et la gravité potentielle de la blessure. Par ailleurs, un symbole de sécurité peut être utilisé pour représenter le type de danger.









 **DANGER** indique un danger qui, si non évité, **causera la mort ou des blessures graves.**









 **AVERTISSEMENT** indique un danger qui, si non évité, **pourrait causer la mort ou des blessures graves.**

 **ATTENTION** indique un danger qui, si non évité, **pourrait causer des blessures mineures ou modérées.**

**AVIS** indique une situation qui **pourrait causer des dommages au produit.**

### Symboles de risque et leurs significations

Symbole	Signification	Symbole	Signification
	Informations de sécurité sur les dangers pouvant provoquer des dommages corporels.		Lire attentivement le contenu du manuel d'utilisation avant de faire fonctionner l'appareil ou d'intervenir dessus.
	Risque d'incendie		Risque d'explosion
	Risque de décharge électrique		Danger de fumées toxiques
	Risque de surface chaude		Risque lié au bruit - protection auditive recommandée pour une utilisation prolongée.

Symbole	Signification	Symbole	Signification
	Risque de projection d'objets - porter des lunettes de protection.		Risque d'explosion
	Risque de gelure		Risque d'effet de recul
	Risque d'amputation - pièces mobiles		Risque chimique
	Risque thermique		Corrosif

## Messages de sécurité



### AVERTISSEMENT

Certains composants de ce produit et de ses accessoires contiennent des produits chimiques reconnus dans l'État de Californie comme étant cause de cancer, d'anomalies congénitales ou d'autres effets néfastes sur la fonction de reproduction. Se laver les mains après la manipulation.



### AVERTISSEMENT

Les gaz d'échappement du moteur de ce produit contiennent des produits chimiques reconnus par l'État de Californie comme étant cause de cancer, d'anomalies congénitales ou d'autres effets néfastes sur la fonction de reproduction.



### AVERTISSEMENT

Les moteurs Briggs & Stratton ne sont pas conçus pour les équipements suivants et ne doivent pas être utilisés pour les alimenter : karts de loisir ; karts de course ; véhicules de loisir pour les enfants et de sport tous-terrains (ATV) ; cyclomoteurs ; aéroglisseurs ; engins aériens ; ou véhicules utilisés lors de compétitions non approuvées par Briggs & Stratton. Pour plus d'informations concernant les produits destinés à la compétition, consulter [www.briggsracing.com](http://www.briggsracing.com). Pour une utilisation avec des quads utilitaires et côte-à-côte, veuillez contacter le Centre d'application des moteurs Briggs & Stratton, au 1-866-927-3349. Une application inadaptée au moteur risque d'entraîner des blessures graves, voire mortelles.



### AVERTISSEMENT



**L'essence et ses vapeurs sont hautement inflammables et explosives.**

**Un incendie ou une explosion peuvent provoquer de graves brûlures ou la mort.**

#### Lors de l'ajout de carburant

- Arrêter le moteur et le laisser refroidir au moins 2 minutes avant de retirer le bouchon du réservoir.
- Remplir le réservoir de carburant à l'extérieur ou dans un endroit bien ventilé.
- Ne jamais trop remplir le réservoir de carburant. Pour permettre l'expansion du carburant, ne pas dépasser le bas du col de remplissage du réservoir en effectuant le plein.
- Garder le carburant loin des étincelles, des flammes nues, des lampes témoins, de chaleur et d'autres sources d'allumage.
- Vérifier régulièrement que les canalisations, le réservoir, le bouchon et les raccords de carburant ne présentent ni fissures ni fuites. Remplacer si nécessaire.
- Si du carburant se répand, attendre jusqu'à ce qu'il s'évapore avant de démarrer le moteur.

#### Démarrage du moteur

- S'assurer que la bougie, le silencieux, le bouchon du réservoir de carburant et le filtre à air (le cas échéant) sont montés et solidement fixés.

- Ne pas démarrer le moteur sans la bougie.
- Si le moteur se noie, mettre le starter (le cas échéant) en position OUVERT/MARCHE, amener la manette des gaz (le cas échéant) en position RAPIDE et lancer le moteur jusqu'à ce qu'il démarre.

#### Pendant l'utilisation de l'équipement

- Ne pas pencher le moteur ou l'équipement à un angle qui risquerait de faire couler de l'essence.
- Ne pas actionner le starter pour arrêter le moteur.
- Ne jamais démarrer ou faire fonctionner le moteur sans l'épurateur d'air (le cas échéant) ou le filtre à air (le cas échéant).

#### Lors du changement de l'huile

- Si vous vidangez l'huile par le bouchon de remplissage supérieur, le réservoir de carburant doit être vide, car une fuite éventuelle pourrait provoquer un incendie, voire une explosion.

#### Lorsque l'entretien requiert de basculer la machine

- S'il est nécessaire de basculer la machine au cours de l'entretien, le réservoir de carburant, s'il est monté sur le moteur, doit être vide, sinon le carburant risque de couler et d'entraîner un incendie ou une explosion.

#### Lors du transport de la machine

- Transporter avec le réservoir de carburant VIDE ou le robinet d'essence en position CLOSED (FERMÉE).

#### Entreposage de carburant ou d'équipements dont le réservoir contient du carburant

- Entrez-les à l'écart des chaudières, poêles, chauffe-eaux ou autres appareils ménagers comportant une veilleuse ou une autre source d'inflammation pouvant enflammer les vapeurs d'essence.



**AVERTISSEMENT**

Le démarrage du moteur produit des étincelles.

Une étincelle peut mettre le feu aux gaz inflammables à proximité.

Elle pourrait provoquer une explosion ou un incendie.

- Si une fuite de gaz de pétrole liquéfié (GPL) ou de gaz naturel est présente à l'endroit où vous vous trouvez, ne pas tenter de mettre le moteur en marche.
- Ne pas utiliser de fluides de démarrage sous pression, car les vapeurs sont inflammables.



**AVERTISSEMENT**

**RISQUE LIÉ AUX GAZ TOXIQUES.** Les gaz d'échappement du moteur contiennent du monoxyde de carbone, un gaz toxique qui pourrait vous tuer en quelques minutes à peine. Vous NE POUVEZ NI le voir, NI le sentir, NI le goûter. Même si vous ne sentez pas l'odeur des gaz d'échappement, vous courez toujours le risque de respirer du monoxyde de carbone. Si vous commencez à vous sentir malade, pris de vertiges ou faible quand vous utilisez ce produit, coupez le moteur IMMÉDIATEMENT et allez respirer de l'air frais. Consultez un médecin. Il se peut que vous soyez victime d'un empoisonnement au monoxyde de carbone.

- Utilisez cet équipement UNIQUEMENT à l'extérieur et en vous tenant éloigné des fenêtres, portes et ouvertures d'aération pour réduire le risque que du monoxyde de carbone ne s'accumule et ne soit éventuellement aspiré dans des espaces où vivent des personnes ou des animaux.
- Conformément aux instructions du fabricant, installez des alarmes monoxyde de carbone fonctionnant à piles ou alimentées par câble avec batterie de secours. Les détecteurs de fumée ne peuvent pas déceler la présence de monoxyde de carbone.
- NE PAS faire fonctionner cet équipement dans des maisons, garages, sous-sols, vides sanitaires, remises de jardin ou d'autres espaces partiellement confinés, même si des ventilateurs, des portes ou des fenêtres ouvertes facilitent la ventilation. Le monoxyde de carbone peut s'accumuler rapidement dans ces espaces et subsister pendant des heures, même après l'arrêt de l'équipement.
- Disposer TOUJOURS cet équipement dans le sens du vent et orienter l'échappement du moteur dans la direction opposée aux espaces occupés par des personnes ou des animaux.



**AVERTISSEMENT**

La rétraction rapide du cordon de lanceur (effet de recul) aura pour effet de tirer la main et le bras vers le moteur en moins de temps qu'on ne l'imagine.

Des os cassés, des fractures, des blessures, ou des foulures peuvent en résulter.

- Pour démarrer le moteur, tirer lentement le cordon du lanceur jusqu'à percevoir une résistance et tirer ensuite rapidement pour éviter tout effet de recul.
- Retirer toute charge extérieure à l'équipement ou au moteur avant de le démarrer.
- Les éléments directement couplés à l'équipement, notamment les lames, turbines, poulies, engrenages, etc., devront être fermement arrimés.



**AVERTISSEMENT**

Les pièces rotatives peuvent toucher ou happer les mains, les pieds, les cheveux, les vêtements ou tout autre accessoire.

Une amputation traumatique ou de graves lacérations peuvent en résulter.

- Utiliser l'équipement avec les protections en place.
- Tenir les mains et les pieds éloignés des pièces en rotation.
- Attacher les cheveux longs et retirer les bijoux.
- Ne pas porter de vêtements amples, de ceintures larges pendantes ou tout vêtement pouvant être saisi.



**AVERTISSEMENT**

Les moteurs en marche produisent de la chaleur. Les pièces du moteur, en particulier le silencieux, deviennent extrêmement chaudes.

Des brûlures thermiques graves peuvent se produire par contact.

Les débris combustibles tels que les feuilles, l'herbe, les broussailles, etc., peuvent prendre feu.

- Laisser refroidir le pot d'échappement, le cylindre et les ailettes du moteur avant de les toucher.
- Retirer les débris qui se sont accumulés autour de la zone du pot d'échappement et du cylindre.
- L'utilisation ou le fonctionnement du moteur sur des terrains forestiers, broussailleux ou herbeux constitue une violation de la Section 4442 du Code des ressources publiques de Californie, à moins que le système d'échappement ne soit équipé d'un pare-étincelles, comme le stipule cette Section 4442, maintenu en bon état de marche. D'autres états ou juridictions fédérales peuvent avoir des lois similaires. Contacter le constructeur d'origine, le détaillant ou le revendeur de l'équipement pour obtenir un pare-étincelles conçu pour le système d'échappement installé sur ce moteur.



**AVERTISSEMENT**

Des étincelles involontaires peuvent provoquer un incendie ou un choc électrique.

Un démarrage accidentel peut causer un étranglement, une amputation traumatique ou une lacération.

Risque d'incendie

#### Avant de procéder à des réglages ou des réparations :

- Débrancher le fil de la bougie d'allumage et le tenir à l'écart de la bougie.
- Débrancher la batterie en retirant le câble de la borne négative de la batterie (uniquement pour les moteurs à démarreur électrique).
- Utiliser uniquement des outils appropriés.
- Ne pas intervenir sur le ressort du régulateur de vitesse, les tringles ou d'autres pièces, pour augmenter le régime du moteur.
- Les pièces de rechange doivent être les mêmes et installées dans la même position que celles d'origine. D'autres pièces peuvent ne pas être aussi performantes, endommager l'équipement et provoquer des blessures.
- Ne pas taper sur le volant moteur avec un marteau ou un objet dur, ce qui risquerait d'entraîner une rupture ultérieure du volant lors du fonctionnement du moteur.

#### Contrôle de l'étincelle :

- Utiliser un vérificateur de bougie d'allumage approuvé.
- Ne pas contrôler la production d'étincelles sans la bougie.










# Fonctions et commandes

## Commandes du moteur

Comparer l'illustration (Figure : 1, 2, 3) avec votre moteur afin de vous familiariser avec l'emplacement des diverses fonctions et commandes.

- A. Numéros d'identification du moteur **Modèle - Type - Code**
- B. Bougie
- C. Filtre à air (plat ou ovale)
- D. Commande de starter
- E. Robinet d'essence (si présent)
- F. Poignée de la corde de lanceur
- G. Grille d'entrée d'air
- H. Commande des gaz (si présente)
- I. Commutateur d'arrêt (si présent)
- J. Réservoir de carburant et bouchon
- K. Jauge d'huile rehaussée (si présente)
- L. Jauge d'huile courte (si présente)
- M. Bouchon de vidange
- N. Orifice de remplissage d'huile
- O. Silencieux, protège-silencieux (si présent), pare-étincelles (si présent)
- P. Clé de sécurité (modèles à démarrage électrique)
- Q. Interrupteur MARCHE/ARRÊT (modèles à démarrage électrique)
- R. Réducteur (si présent)
- S. Contacteur à clé (modèles à démarrage électrique)

## Symboles des commandes du moteur et significations

Symbole	Signification	Symbole	Signification
	Régime moteur - FAST (RAPIDE)		Régime moteur - SLOW (LENT)
	Régime moteur - STOP (ARRÊT)		ON - OFF (MARCHE - ARRÊT)
	Démarrage du moteur - Starter CLOSED (FERMÉ)		Démarrage du moteur - Starter OPEN (OUVERT)
	Bouchon de carburant Robinet d'essence - OPEN (OUVERT)		Robinet d'essence - CLOSED (FERMÉ)
	Niveau d'essence - Maximum Ne pas trop remplir le réservoir		

## Fonctionnement

### Huiles recommandées

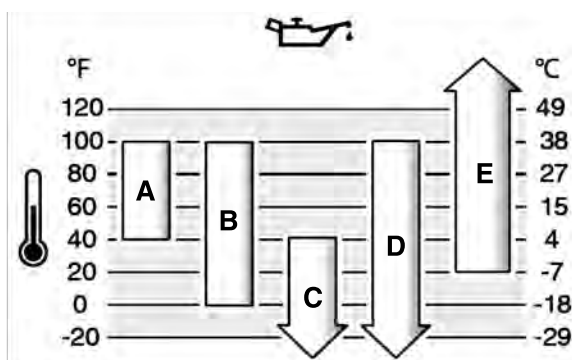
**Capacité d'huile :** Se reporter aux *Caractéristiques* techniques.

### AVIS

Ce moteur est livré sans huile par Briggs & Stratton. Les fabricants d'équipements ou les concessionnaires sont susceptibles d'avoir ajouté de l'huile au moteur. Avant de démarrer le moteur pour la première fois, veiller à vérifier le niveau d'huile et à faire l'appoint en suivant les instructions de ce manuel. Si un moteur sans huile est mis en marche, il sera endommagé de manière irrémédiable et ne sera pas couvert par la garantie.

Nous recommandons l'utilisation d'huiles garanties et certifiées Briggs & Stratton pour obtenir les meilleures performances. D'autres huiles détergentes de haute qualité sont acceptables si elles sont de catégorie SF, SG SH, SJ ou supérieure. Ne pas utiliser d'additifs spéciaux.

Les températures extérieures déterminent le choix de la viscosité de l'huile convenant au moteur. Utilisez le tableau pour sélectionner la meilleure viscosité en fonction de la plage de températures extérieures prévue. Les moteurs de la plupart des équipements extérieurs se comportent bien avec de l'huile synthétique 5W-30. Pour les équipements utilisés par grandes chaleurs, l'huile synthétique Vanguard™ 15W-50 offre la meilleure protection.



A	SAE 30 - En-dessous de 4 °C, l'utilisation de l'huile SAE 30 rendra le démarrage difficile.
B	10W-30 - Au-dessus de 27 °C, l'utilisation de l'huile 10W-30 peut augmenter la consommation d'huile. Vérifiez le niveau d'huile plus fréquemment.
C	5W-30
D	5W-30 synthétique
E	Vanguard™ synthétique 15W-50

## Vérifier le niveau d'huile

Voir Figure : 4, 5

### Avant d'ajouter de l'huile ou de vérifier le niveau

- Mettre le moteur de niveau.
- Nettoyer le pourtour de l'orifice de remplissage de tout débris.

### Bouchon de remplissage d'huile, si présent

1. Retirer le bouchon de l'orifice de remplissage d'huile (A, Figure 4).
2. Si le niveau est insuffisant, verser doucement de l'huile dans l'orifice de remplissage du moteur (B, Figure 4). Remplir jusqu'au point de débordement.
3. Remettre et resserrer le bouchon de l'orifice de remplissage d'huile (A, Figure 4).

### Jauge d'huile courte, si présente

1. Retirer la jauge (C, Figure 4) et la nettoyer avec un chiffon propre.
2. Installer la jauge (C, Figure 4). **Ne pas tourner ou serrer.**
3. Sortir la jauge et vérifier le niveau d'huile. Il doit être au ras de l'indicateur de niveau maximum (D, Figure 4) sur la jauge.
4. Si le niveau est insuffisant, verser doucement de l'huile dans l'orifice de remplissage du moteur (B, Figure 4). Remplir jusqu'au point de débordement.
5. Remettre et resserrer la jauge (C, Figure 4).

### Jauge d'huile rehaussée, si présente

1. Retirer la jauge (A, Figure 5) et la nettoyer avec un chiffon propre.
2. Remettre la jauge en place et la resserrer (A, Figure 5).
3. Sortir la jauge et vérifier le niveau d'huile. Il doit être au ras de l'indicateur de niveau maximum (B, Figure 5) sur la jauge.

- Si le niveau est insuffisant, ajouter de l'huile en l'incorporant par l'orifice de remplissage du moteur (C, Figure 5). **Ne pas trop remplir.** Après avoir ajouté de l'huile, attendre une minute, puis vérifier à nouveau le niveau d'huile.
- Remettre et resserrer la jauge (A, Figure 5).

## Système de détection de niveau d'huile bas (le cas échéant)

Certains moteurs sont équipés d'une sonde de détection de niveau d'huile bas. Si le niveau d'huile est insuffisant, la sonde active un voyant d'alerte ou arrête le moteur. Arrêter le moteur et procéder comme décrit ci-dessous avant de remettre en marche le moteur.

- Mettre le moteur de niveau.
- Contrôler le niveau d'huile. Se reporter à la section **Vérifier le niveau d'huile**.
- Si le niveau est insuffisant, faire l'appoint avec la quantité appropriée d'huile. Mettre le moteur en marche et s'assurer que le voyant d'alerte (si prévu) n'est pas allumé.
- Si le niveau d'huile est correct, ne pas faire démarrer le moteur. Contacter un Réparateur agréé Briggs & Stratton pour corriger un problème d'huile.

## Recommandations de carburant

Le carburant doit répondre aux critères suivants :

- Essence sans plomb, propre et fraîche.
- Au minimum 87 octanes/87 AKI (91 RON). Utilisation en haute altitude, voir ci-dessous.
- De l'essence contenant jusqu'à 10 % d'éthanol (carburol) est acceptable.

**AVIS** Ne pas utiliser d'essence non approuvée telle que l'E15 ou l'E85. Ne pas mélanger de l'huile avec l'essence ou modifier le moteur afin qu'ils puissent utiliser des carburants alternatifs. L'utilisation de carburants non approuvés peut endommager les composants, ce qui n'est pas couvert par la garantie.

Pour empêcher que de la gomme ne se forme dans le circuit d'alimentation, mélanger un stabilisateur de carburant à l'essence. Voir **Entreposage**. Tous les carburants ne sont pas identiques. Si des problèmes de démarrage ou de performance se produisent, changer de fournisseur de carburant ou changer de marque. Ce moteur est certifié pour fonctionner à l'essence. Le système de contrôle des émissions pour ce moteur est de type EM (Engine Modifications).

### Haute altitude

À des altitudes supérieures à 1 524 mètres (5 000 pieds), de l'essence d'au minimum 85 octane/85 AKI (89 RON) est acceptable.

Pour conserver les caractéristiques d'émission, un réglage spécial haute altitude est nécessaire. Faire fonctionner le moteur sans ce réglage fait baisser ses performances, augmenter la consommation de carburant et les émissions. Contacter un Réparateur agréé Briggs & Stratton pour davantage d'informations sur le réglage haute altitude. Le fonctionnement du moteur à une altitude inférieure à 762 mètres (2 500 pieds) avec le kit haute altitude n'est pas recommandé.

Pour les moteurs à injection électronique (EFI), le réglage haute altitude est inutile.

## Faire le plein

Voir Figure : 6



**L'essence et ses vapeurs sont extrêmement inflammables et explosifs.**

**Un incendie ou une explosion peuvent provoquer de très graves blessures ou être mortelles.**

### Pour faire le plein

- Arrêter le moteur et le laisser refroidir au moins 2 minutes avant de retirer le bouchon du réservoir.
  - Remplir le réservoir de carburant à l'extérieur ou dans un local extrêmement bien ventilé.
  - Ne pas trop remplir le réservoir de carburant. Pour permettre la dilatation de l'essence, ne pas remplir au-delà du bas du col de remplissage.
  - Veiller à tenir l'essence à l'écart des étincelles, des flammes nues, des veilleuses, de la chaleur et de toute autre source d'ignition.
  - Contrôler régulièrement que les durites, le réservoir, le bouchon et les raccords de réservoir ne présentent ni fissures, ni fuites. Remplacer si nécessaire.
  - Si du carburant a été renversé, attendre son évaporation complète avant de démarrer le moteur.
- Nettoyer le pourtour du bouchon d'essence de la poussière et des débris. Enlever le bouchon d'essence.

- Remplir le réservoir (A, Figure 6) d'essence. Pour permettre la dilatation du carburant, ne pas remplir au-delà du bas du la base du col de remplissage. (B).
- Remettre le bouchon du réservoir en place.

## Démarrage et arrêt du moteur

Voir Figure : 7, 8

### Démarrage du moteur



**L'enroulement rapide de la corde du lanceur (effet de rebond) aura pour effet de tirer la main et le bras vers le moteur en moins de temps qu'on ne se l'imagine.**

**Cela risque d'entraîner des fêlures, des fractures, des ecchymoses ou des foulures.**

- Pour démarrer le moteur, tirer lentement sur la corde de lanceur jusqu'à sentir une résistance puis tirer rapidement pour éviter l'effet de rebond.



**Le carburant et ses vapeurs sont extrêmement inflammables et explosifs.**

**Un incendie ou une explosion peuvent provoquer des blessures très graves, voire mortelles.**

### Démarrage du moteur

- S'assurer que la bougie, le silencieux, le bouchon du réservoir de carburant et le filtre à air (si présent) sont montés et solidement fixés.
- Ne pas faire tourner le moteur sans la bougie.
- Si le moteur est noyé, placer le starter (si présent) en position OPEN / RUN (OUVERT/MARCHE), amener l'accélérateur (si présent) en position FAST (RAPIDE) et lancer le moteur jusqu'à ce qu'il démarre.



**RISQUE LIÉ AUX GAZ TOXIQUES.** Les gaz d'échappement du moteur contiennent du monoxyde de carbone, gaz toxique qui pourrait vous tuer en l'espace de quelques minutes. Il est INVISIBLE et INODORE. Même si vous n'inhalez pas de gaz d'échappement, vous courez toujours le risque de respirer du monoxyde de carbone. Si vous commencez à vous sentir malade, pris de vertiges ou faible quand vous utilisez cette machine, couper le moteur et sortir IMMÉDIATEMENT respirer de l'air frais. Consulter un médecin. Il se peut que vous soyez victime d'un empoisonnement au monoxyde de carbone.

- Utiliser cet équipement UNIQUEMENT à l'extérieur et à l'écart des fenêtres, portes et aérations pour réduire le risque d'accumulation de monoxyde de carbone et son éventuelle propagation à des espaces occupés.
- Selon les instructions du fabricant, installer des avertisseurs de monoxyde de carbone fonctionnant à piles ou alimentés par câble avec batterie de secours. Les détecteurs de fumée ne peuvent pas déceler la présence de monoxyde de carbone.
- NE PAS faire fonctionner ce produit dans des maisons, garages, sous-sols, vides sanitaires, remises de jardin ou d'autres espaces partiellement confinés, même si des ventilateurs, des portes ou des fenêtres ouvertes facilitent la ventilation. Le monoxyde de carbone peut s'accumuler rapidement dans ces espaces et subsister pendant des heures, même après l'arrêt de l'équipement.
- TOUJOURS positionner cet équipement dans le sens du vent et orienter l'échappement du moteur dans la direction opposée aux espaces occupés.

**AVIS** Ce moteur est livré sans huile par Briggs & Stratton. Avant de démarrer le moteur, s'assurer d'ajouter de l'huile en suivant les instructions de ce manuel. Si un moteur sans huile est mis en marche, il sera endommagé de manière irréversible et ne sera pas couvert par la garantie.

**Remarque :** L'équipement peut être doté de commandes à distance. Se reporter au manuel de l'équipement pour connaître l'emplacement et l'utilisation des commandes à distance.

- Vérifier l'huile moteur. Se reporter à la section **Vérifier le niveau d'huile**.
- S'assurer que les commandes d'entraînement de l'équipement, si présentes, sont débrayées.
- Amener le robinet d'essence (A, Figure 7) sur la position OPEN (OUVERTE).
- Amener la commande des gaz éventuellement présente (C, Figure 7) en position FAST (RAPIDE). Faire fonctionner le moteur en position FAST (RAPIDE).
- Amener la commande de starter (B, Figure 7) en position CHOKE (STARTER).

**Remarque :** Habituellement, le starter n'est pas nécessaire pour redémarrer un moteur chaud.

6. Amener le commutateur d'arrêt éventuellement prévu (D, Figure 7) en position ON (MARCHÉ).
7. **Lanceur, éventuellement présent :** Maintenir fermement la poignée de corde de lanceur (E, Figure 7). Tirer la poignée de la corde de lanceur lentement jusqu'à sentir une résistance puis tirer rapidement.



#### AVERTISSEMENT

L'enroulement rapide de la corde du lanceur (effet de rebond) aura pour effet de tirer la main et le bras vers le moteur en moins de temps qu'on ne se l'imagine. Cela risque d'entraîner des déformations, des fractures, des ecchymoses ou des foulures. Pour démarrer le moteur, tirer lentement sur la corde de lanceur jusqu'à sentir une résistance puis tirer rapidement pour éviter l'effet de rebond.

8. **Démarrateur électrique, si équipé de la clé de sécurité (F) :** Enfoncer la clé de sécurité (F, Figure 7). Appuyer un instant sur le contacteur de démarrage (G). Lorsque le moteur démarre, relâcher le contacteur.
9. **Démarrateur électrique, si équipé du contacteur à clé de type automobile (F) :** Tourner le contacteur à clé (H, Figure 8) vers la position de démarrage. Lorsque le moteur démarre, relâcher le contacteur à clé.

**AVIS** Pour prolonger la durée de vie du démarreur, ne l'utiliser que pendant des cycles courts (cinq secondes maximum). Attendre une minute avant de recommencer.

10. À mesure que le moteur chauffe, tourner la commande de starter (B, Figure 7) en position RUN (MARCHÉ).

**Remarque :** Si le moteur ne démarre pas malgré plusieurs tentatives, consulter la page [BRIGGSandSTRATTON.com](http://BRIGGSandSTRATTON.com), contacter le Réparateur le plus proche ou appeler le 1-800-233-3723 (aux États-Unis).

## Arrêt du moteur



#### AVERTISSEMENT



Le carburant et ses vapeurs sont extrêmement inflammables et explosifs.

Un incendie ou une explosion peuvent provoquer des blessures très graves, voire mortelles.

- Ne pas étrangler le carburateur pour arrêter le moteur.
1. **Commande des gaz, si présente :** Amener la commande des gaz (C, Figure 7) en position SLOW (RALENTI) puis STOP (ARRÊT).  
**Commutateur d'arrêt, si présent :** Amener le commutateur d'arrêt (D, Figure 7) en position STOP (ARRÊT).  
**Clé de sécurité, si présente :** Retirer la clé de sécurité (F, Figure 7) et la garder dans un endroit sûr hors de portée des enfants.  
**Contacteur à clé, si prévu :** Mettre le contacteur à clé (H, Figure 8) en position OFF. Retirer la clé et la garder dans un endroit sûr hors de portée des enfants.
  2. Après l'arrêt du moteur, amener le robinet d'(A, Figure 7) sur la position CLOSED (FERMÉE).

## Entretien

**AVIS** Si le moteur est basculé pendant l'entretien, le réservoir de carburant doit être vidé et le côté où se trouve la bougie doit être en haut. Si le réservoir de carburant n'est pas vide et si le moteur est basculé dans toute autre direction, il sera peut-être difficile de le faire démarrer par suite d'huile ou de carburant contaminant le filtre à air et/ou la bougie.



#### AVERTISSEMENT

S'il est nécessaire de basculer l'équipement au cours de l'entretien, le réservoir de carburant, s'il est monté sur le moteur, doit être vidé, sinon le carburant risque de couler et d'entraîner un incendie ou une explosion.

Nous vous recommandons de confier à un Réparateur Briggs & Stratton agréé tout l'entretien de votre moteur et de ses pièces.

**AVIS** Tous les composants de ce moteur doivent rester à leur place d'origine pour que le moteur fonctionne correctement.



#### AVERTISSEMENT



Une étincelle accidentelle peut provoquer un incendie ou une décharge électrique.

Un démarrage accidentel peut causer un étranglement, l'amputation ou la lacération d'un membre.

#### Risque d'incendie

#### Avant d'effectuer des réglages ou des réparations :

- Débrancher le fil de bougie et l'attacher à bonne distance de la bougie.
- Débrancher le câble Négatif de la batterie (uniquement pour les moteurs à démarrage électrique).
- N'utiliser que les outils corrects.
- Ne pas modifier le ressort du régulateur, les tringles ou autres pièces pour augmenter le régime du moteur.
- Les pièces de rechange doivent être d'origine et installées de la même façon que les pièces remplacées. D'autres pièces peuvent ne pas fonctionner aussi bien, peuvent endommager la machine et peuvent provoquer des blessures.
- Ne pas taper sur le volant moteur avec un marteau ou un objet dur ; cela pourrait entraîner une rupture ultérieure du volant pendant que le moteur fonctionne.

#### Contrôle de l'étincelle :

- Utiliser un contrôleur homologué.
- Ne pas contrôler l'étincelle avec la bougie retirée.

## Service du Contrôle des émissions

L'entretien, le remplacement ou la réparation des dispositifs et systèmes de contrôle des émissions peuvent être effectués par tout établissement de réparation de moteurs hors route ou par une personne qualifiée. Cependant, pour obtenir un service après-vente « gratuit » du contrôle des émissions, le travail doit être effectué par un revendeur agréé de l'usine. Voir la déclaration sur le contrôle des émissions.

## Calendrier d'entretien

<b>Après les 5 premières heures</b>
<ul style="list-style-type: none"><li>• Changement de l'huile</li></ul>
<b>Toutes les 8 heures ou chaque jour</b>
<ul style="list-style-type: none"><li>• Vérification du niveau d'huile moteur</li><li>• Nettoyage autour du silencieux et des commandes</li><li>• Nettoyage de la grille d'entrée d'air</li></ul>
<b>Toutes les 25 heures ou une fois par an</b>
<ul style="list-style-type: none"><li>• Nettoyage du filtre à air <sup>1</sup></li><li>• Nettoyer le pré-filtre (si présent) <sup>1</sup></li></ul>
<b>Toutes les 50 heures ou une fois par an</b>
<ul style="list-style-type: none"><li>• Changement de l'huile moteur</li><li>• Entretien du système d'échappement</li></ul>
<b>Toutes les 100 heures</b>
<ul style="list-style-type: none"><li>• Changement de l'huile du réducteur (si présent)</li></ul>
<b>Tous les ans</b>
<ul style="list-style-type: none"><li>• Remplacement de la bougie</li><li>• Remplacement du filtre à air</li><li>• Remplacer le préfiltre (si présent)</li><li>• Remplacer le filtre à carburant (si présent)</li><li>• Entretien du système de carburant</li><li>• Entretien du circuit de refroidissement <sup>1</sup></li><li>• Contrôler le jeu des soupapes <sup>2</sup></li></ul>

<sup>1</sup> À nettoyer plus fréquemment dans des conditions d'utilisation en atmosphère poussiéreuse ou chargée de débris en suspension.

<sup>2</sup> Non obligatoire si les performances du moteur ne sont pas altérées.

## Carburateur et régime moteur

Ne jamais procéder à des réglages du carburateur ou du régime moteur. Le carburateur a été réglé à l'usine pour fonctionner de manière efficace dans la plupart des conditions. Ne pas altérer le ressort du régulateur, la tringlerie ou toute autre pièce pour augmenter le régime du moteur. Si un réglage s'impose, s'adresser à une Station Service Briggs & Stratton agréée.

**AVIS** Le constructeur de l'équipement spécifie le régime maximal du moteur tel qu'installé sur l'équipement. **Ne pas dépasser** ce régime. En cas de doute quant au régime maximal pour l'équipement ou au régime moteur configuré en sortie d'usine, s'adresser à une Station Service Briggs & Stratton agréée. Pour garantir la sécurité et le bon fonctionnement de l'équipement, le régime moteur ne doit être réglé que par un technicien de service qualifié.

## Entretien de la bougie

Voir Figure : 9

Vérifier l'écartement des électrodes (A, Figure 9) avec une jauge à fil (B). Régler l'écartement des électrodes au besoin. Remettre la bougie et la serrer au couple recommandé. Pour régler l'écartement et trouver le couple de serrage, voir la section **Spécifications**.

*Remarque* : Dans certains pays, la législation impose l'emploi de bougies à résistance pour supprimer les parasites à l'allumage. Si ce moteur était équipé d'une bougie avec résistance, utiliser le même type de bougie lors de son remplacement.

## Entretien du système d'échappement



**Un moteur en marche produit de la chaleur. Les pièces du moteur, et plus particulièrement le silencieux, deviennent extrêmement chaudes.**

**Les toucher peut provoquer de graves brûlures.**

**Les débris combustibles comme les feuilles, l'herbe, les broussailles peuvent s'enflammer.**

- Laisser le silencieux, le cylindre du moteur et les ailettes refroidir avant de les toucher.
- Retirer les débris accumulés autour du silencieux et du cylindre.
- L'utilisation ou le fonctionnement du moteur sur des terrains forestiers, broussailleux ou herbeux constituent une violation de la Section 4442 du California Public Resource Code, sauf si le système d'échappement est équipé d'un pare-étincelles, tel que défini dans la Section 4442, en bon état de fonctionnement. D'autres états ou juridictions fédérales peuvent appliquer des lois similaires. Contacter le fabricant, le distributeur ou le fournisseur d'origine de la machine pour obtenir un pare-étincelles conçu pour le système d'échappement installé sur ce moteur.

Retirer les débris accumulés autour du silencieux et du cylindre. Inspecter le silencieux à la recherche de fissures, de corrosion ou autre dommage. Retirer le déflecteur ou le pare-étincelles, le cas échéant, et inspecter s'ils sont endommagés ou obstrués par des dépôts de carbone. En cas de défaut constaté, remplacer les pièces défectueuses avant de réutiliser l'équipement.



**Les pièces de rechange doivent être d'origine et installées de la même façon que les pièces remplacées. D'autres pièces peuvent ne pas fonctionner aussi bien, peuvent endommager la machine et peuvent provoquer des blessures.**

## Changement de l'huile moteur

Voir Figure : 10, 11, 12

L'huile usagée constitue un déchet dangereux qui doit être éliminée de façon appropriée. Ne pas la jeter avec les déchets ménagers. Se renseigner sur les lieux de collecte ou de recyclage auprès des autorités locales, du centre de services ou du concessionnaire.

### Vidange de l'huile

1. Quand le moteur est arrêté mais encore chaud, débrancher le fil de la bougie (D, Figure 10) et le tenir à l'écart de la bougie (E).
2. Retirer le bouchon de vidange (F, Figure 11). Vidanger l'huile dans un récipient homologué.

*Remarque* : N'importe lequel des bouchons de vidange (G, Figure 11) peut être monté sur le moteur.

3. Quand l'huile a été vidangée, remettre et resserrer le bouchon de vidange (F, Figure 11).

### Ajout d'huile

- Mettre le moteur de niveau.
- Nettoyer le pourtour de l'orifice de remplissage de tout débris.
- Voir la section **Spécifications** pour connaître la capacité d'huile.

### Bouchon de remplissage d'huile, si présent

1. Retirer le bouchon de l'orifice de remplissage d'huile (H, Figure 11).
2. Verser lentement l'huile par l'orifice de remplissage du moteur (C, Figure 11). Remplir jusqu'au point de débordement.
3. Installer et resserrer le bouchon de l'orifice de remplissage d'huile (H, Figure 11).
4. Rebrancher le fil de la bougie (D, Figure 10) sur la bougie (E).

### Jauge d'huile courte, si présente

1. Retirer la jauge (A, Figure 11) et la nettoyer avec un chiffon propre.
2. Verser lentement l'huile par l'orifice de remplissage du moteur (C, Figure 11). Remplir jusqu'au point de débordement.
3. Installer la jauge (A, Figure 11). **Ne pas tourner ou serrer**. Sortir la jauge et vérifier le niveau d'huile. Il doit être au ras de l'indicateur de niveau maximum (B) sur la jauge.
4. Remettre et resserrer la jauge (A, Figure 11).
5. Rebrancher le fil de la bougie (D, Figure 10) sur la bougie (E).

### Jauge d'huile rehaussée, si présente

1. Retirer la jauge (A, Figure 12) et la nettoyer avec un chiffon propre.
2. Verser lentement l'huile par l'orifice de remplissage du moteur (C, Figure 12). **Ne pas trop remplir**. Après avoir ajouté de l'huile, attendre une (1) minute, puis vérifier à nouveau le niveau d'huile.
3. Remettre la jauge en place et la resserrer (A, Figure 12).
4. Sortir la jauge et vérifier le niveau d'huile. Il doit être au ras de l'indicateur de niveau maximum (B, Figure 12) sur la jauge.
5. Remettre et resserrer la jauge (A, Figure 12).
6. Rebrancher le fil de la bougie (D, Figure 10) sur la bougie (E).

## Changement de l'huile du réducteur

Voir Figure : 13, 14

### Réducteur 6:1 (Figure 13)

Si le moteur est équipé d'un réducteur 6:1, procéder comme suit pour l'entretien :

1. Retirer le bouchon de l'orifice de remplissage d'huile (A, Figure 13) et le bouchon de niveau d'huile (B).
2. Retirer le bouchon de vidange (C, Figure 13) et vidanger l'huile dans un récipient approprié.
3. Replacer et resserrer le bouchon de vidange (C, Figure 13).
4. Pour remplir, verser lentement le lubrifiant d'engrenage (voir la section **Spécifications**) dans l'orifice de remplissage d'huile (D, Figure 13). Continuer à verser jusqu'à ce que l'huile ressorte par l'orifice de niveau d'huile (E).
5. Remettre et resserrer le bouchon de niveau d'huile (B, Figure 13).
6. Remettre et resserrer le bouchon de l'orifice de remplissage d'huile (A, Figure 13).

*Remarque* : Le bouchon de l'orifice de remplissage d'huile (A, Figure 13) dispose d'un trou d'évent (F) et doit être installé au sommet du capot du carter d'engrenage, comme indiqué.

### Réducteur 2:1 (Figure 14)

Il est inutile de changer l'huile du réducteur 2:1 (G, Figure 14).

## Entretien du filtre à air

Voir Figure : 15, 16, 17





## AVERTISSEMENT

**Le carburant et ses vapeurs sont extrêmement inflammables et explosifs.**

**Un incendie ou une explosion peuvent provoquer des blessures très graves, voire mortelles.**

- Ne jamais démarrer ou faire fonctionner le moteur sans filtre à air (si présent) ou sans le filtre à air (si présent).

**AVIS** Ne pas utiliser d'air comprimé ou de solvant pour nettoyer le filtre. L'air comprimé peut endommager le filtre et les solvants vont dissoudre le filtre.

Se reporter au **Calendrier d'entretien** pour connaître les prescriptions d'entretien.

Selon les modèles, le filtre peut être en mousse ou en papier. Certains modèles sont également équipés d'un préfiltre en option qui peut être lavé et réutilisé. Comparer les illustrations de ce manuel avec le type de filtre monté sur votre moteur et procéder comme suit pour l'entretien.

### Filtre à air en papier

1. Desserrer la ou les attaches (A, Figure 15, 16).
2. Déposer le couvercle (B, Figure 15, 16).
3. Enlever le préfiltre si présent (C, Figure 15, 16) et le filtre (D).
4. Pour faire tomber les débris, tapoter doucement le filtre (D, Figure 15, 16) sur une surface dure. Si le filtre est trop sale, le remplacer par un neuf.
5. Laver le préfiltre si présent (C, Figure 15, 16) avec un liquide détergent et de l'eau. Bien laisser sécher le préfiltre à l'air libre. **Ne pas** huiler le préfiltre.
6. Attacher le préfiltre sec si présent (C, Figure 15, 16) au filtre (D) à l'aide de la lèvre (G) du préfiltre sur la partie inférieure des éléments plissés du filtre.
7. Installer le filtre (D, Figure 15, 16).
8. Sur les modèles équipés d'un filtre à air tel qu'indiqué sur la Figure 15, installer les taquets du couvercle (E) dans les fentes (F).
9. Monter le couvercle (B, Figure 15, 16) et le bloquer avec la ou les attaches (A).

### Filtre à air en papier

1. Desserrer la ou les attaches (A, Figure 17).
2. Déposer le couvercle (B, Figure 17).
3. Enlever le préfiltre si présent (C, Figure 17) et le filtre (D).
4. Pour faire tomber les débris, tapoter doucement le filtre (D, Figure 17) sur une surface dure. Si le filtre est trop sale, le remplacer par un neuf.
5. Enlever le préfiltre si présent (C, Figure 17) du filtre (D).
6. Laver le préfiltre si présent (C, Figure 17) avec un liquide détergent et de l'eau. Bien laisser sécher le préfiltre à l'air libre. **Ne pas** huiler le préfiltre.
7. Installer le préfiltre sec si présent (C, Figure 17) sur le filtre (D).
8. Monter le filtre (D, Figure 17) et le préfiltre (C), si présent, sur l'embase (E) et sur le goujon (F). Vérifier que le filtre est correctement fixé sur l'embase.
9. Monter le couvercle du filtre à air (B, Figure 17) et le bloquer avec la ou les attaches (A). S'assurer que la ou les attaches soient bien serrées.

## Entretien du système de carburant

Voir Figure : 18, 19



## AVERTISSEMENT

**L'essence et ses vapeurs sont extrêmement inflammables et explosifs.**

**Un incendie ou une explosion peuvent provoquer de très graves blessures ou être mortelles.**

- Veiller à tenir l'essence à l'écart des étincelles, des flammes nues, des veilleuses, de la chaleur et de toute autre source d'ignition.
- Contrôler régulièrement que les durites, le réservoir, le bouchon et les raccords de réservoir ne présentent ni fissures, ni fuites. Remplacer si nécessaire.
- Avant de nettoyer ou de remplacer le filtre à carburant, vidanger le réservoir d'essence ou fermer le robinet d'essence.
- Si du carburant a été renversé, attendre son évaporation complète avant de démarrer le moteur.

- Les pièces de rechange doivent être d'origine et installées de la même façon que les pièces remplacées.

### Filtre à carburant, si prévu

1. Avant de nettoyer ou de remplacer le filtre à carburant (A, Figure 18), vidanger le réservoir d'essence ou fermer le robinet d'essence. Sinon une fuite de carburant peut causer un incendie ou une explosion.
2. Utiliser des pinces pour serrer les languettes (B, Figure 18) sur les colliers puis glisser les colliers loin du filtre à carburant (A). Tourner et débrancher les Durits du filtre à essence.
3. Vérifier les Durits (D, Figure 18) pour y détecter toute fissure ou fuite. Remplacer si nécessaire.
4. Remplacer le filtre à carburant (A, Figure 18) par un filtre d'origine.
5. Fixer les Durits (D, Figure 18) avec les colliers (C) comme indiqué.

### Filtre à carburant, si prévu

1. Retirer le bouchon du réservoir de carburant (A, Figure 19).
2. Retirer le filtre à carburant (B, Figure 19).
3. Si le filtre est colmaté, le nettoyer ou le remplacer. En cas de remplacement, veiller à utiliser un filtre de rechange d'origine.

## Entretien du système de refroidissement



## AVERTISSEMENT

**Un moteur en marche produit de la chaleur. Les pièces du moteur, et plus particulièrement le silencieux, deviennent extrêmement chaudes.**

**Les toucher peut provoquer de graves brûlures.**

**Les débris combustibles comme les feuilles, l'herbe, les broussailles, entre autres, peuvent s'enflammer.**

- Laisser le silencieux, le cylindre du moteur et les ailettes refroidir avant de les toucher.
- Retirer les débris accumulés autour du silencieux et du cylindre.

**AVIS** Ne pas utiliser d'eau pour nettoyer le moteur. L'eau peut contaminer le système d'alimentation en essence. Utiliser une brosse ou un chiffon sec pour nettoyer le moteur.

Ce moteur est refroidi par air. De la poussière ou des débris peuvent affecter le débit d'air et faire chauffer le moteur, ce qui réduit ses performances et sa durée de vie.

1. Utiliser une brosse ou un chiffon sec pour enlever les débris de la grille d'entrée d'air.
2. Nettoyer les biellettes, les ressorts et les commandes.
3. Ne pas laisser les débris combustibles s'accumuler autour et derrière le silencieux d'échappement, si prévu.
4. S'assurer que les ailettes du radiateur d'huile, si prévu, sont exemptes de saleté et de débris.

Avec le temps, des débris peuvent s'accumuler dans les ailettes de refroidissement du cylindre et entraîner une surchauffe de celui-ci. Ces débris ne sont pas visibles sans un démontage partiel du moteur. Pour cette raison, faire procéder par un Réparateur Briggs & Stratton agréé à une inspection et à un nettoyage du système de refroidissement à air selon les prescriptions du **Programme d'entretien**.

## Entreposage



## AVERTISSEMENT

**L'essence et ses vapeurs sont hautement inflammables et explosives.**

**Un incendie ou une explosion peuvent entraîner de graves brûlures, voire même la mort.**

### Entreposage de carburant ou d'équipements dont le réservoir contient du carburant

- Entrez-les à l'écart des chaudières, cuisinières, chauffe-eaux ou autres appareils ménagers comportant une veilleuse ou une autre source d'inflammation pouvant enflammer les vapeurs d'essence.

### Circuit d'alimentation

Voir l'illustration : 20

Ranger le levier du moteur (en position normale de fonctionnement). Remplissage du réservoir (A, Figure 20) avec du carburant. Pour permettre l'expansion du carburant, ne pas dépasser le col de remplissage du réservoir en faisant le plein (B).

Le carburant peut s'éventer quand il est stocké plus de 30 jours. Un carburant éventé peut occasionner la formation de dépôts acides et de gomme dans le système d'alimentation ou sur les pièces essentielles du carburateur. Pour que le carburant conserve toutes ses propriétés, utilisez le **stabilisateur et agent de traitement de carburant à formule avancée Briggs & Stratton**, disponible dans tous les points de vente de pièces d'entretien d'origine Briggs & Stratton.

Il n'est pas nécessaire de purger l'essence du moteur si un stabilisateur de carburant a été ajouté selon les instructions. Avant son entreposage, faire tourner le moteur pendant deux (2) minutes pour faire circuler le stabilisateur dans le circuit d'alimentation.

Si le carburant dans le moteur n'a pas été traité avec un stabilisateur de carburant, il doit être purgé dans un récipient approuvé. Faire fonctionner le moteur jusqu'à ce qu'il s'arrête, faute de carburant. L'utilisation d'un stabilisateur de carburant dans le récipient d'entreposage est recommandée pour que le carburant conserve toutes ses propriétés.

### Huile moteur

Pendant que le moteur est encore chaud, changer l'huile du moteur. Voir la section **Changer l'huile moteur**.

## Dépannage

Pour obtenir de l'aide, prendre contact avec le Réparateur le plus proche, consulter la page **BRIGGSandSTRATTON.com** ou appeler le **1-800-233-3723** (aux États-Unis).

## Spécifications

Modèle : 120000	
Cylindrée	12.48 ci (205 cc)
Alésage	2.688 in (65,28 mm)
Course	2.200 in (55,88 mm)
Capacité d'huile	18 - 20 oz (,54 - ,59 L)
Huile du réducteur, type	80W-90
Huile du réducteur, capacité	4 oz (0,12 L)
Écartement des électrodes de bougie	.030 in (,76 mm)
Couple de serrage de bougie	180 lb-in (20 Nm)
Entrefer volant/bobine	.010 - .014 in (,25 - ,36 mm)
Jeu de soupape d'admission	.004 - .006 in (,10 - ,15 mm)
Jeu de soupape d'échappement	.009 - .011 in (,23 - ,28 mm)

Modèle : 150000	
Cylindrée	15.24 ci (250 cc)
Alésage	2.970 in (75,44 mm)
Course	2.200 in (55,88 mm)
Capacité d'huile	18 - 20 oz (,54 - ,59 L)
Huile du réducteur, type	80W-90
Huile du réducteur, capacité	4 oz (0,12 L)
Écartement des électrodes de bougie	.030 in (,76 mm)
Couple de serrage de bougie	180 lb-in (20 Nm)
Entrefer volant/bobine	.010 - .014 in (,25 - ,36 mm)
Jeu de soupape d'admission	.004 - .006 in (,10 - ,15 mm)
Jeu de soupape d'échappement	.009 - .011 in (,23 - ,28 mm)

Modèle : 200000	
Cylindrée	15.63 ci (305 cc)
Alésage	3.120 in (79,24 mm)
Course	2.438 in (61,93 mm)
Capacité d'huile	26 - 28 oz (,77 - ,83 L)
Huile du réducteur, type	SAE 30
Huile du réducteur, capacité	12 oz (,35 L)

Modèle : 200000	
Écartement des électrodes de bougie	.030 in (,76 mm)
Couple de serrage de bougie	180 lb-in (20 Nm)
Entrefer volant/bobine	.008 - .012 in (,20 - ,30 mm)
Jeu de soupape d'admission	.004 - .006 in (,10 - ,15 mm)
Jeu de soupape d'échappement	.004 - .006 in (,10 - ,15 mm)

Modèle : 210000	
Cylindrée	20.85 ci (342 cc)
Alésage	3.300 in (83,81 mm)
Course	2.438 in (61,93 mm)
Capacité d'huile	26 - 28 oz (,77 - ,83 L)
Huile du réducteur, type	SAE 30
Huile du réducteur, capacité	12 oz (,35 L)
Écartement des électrodes de bougie	.030 in (,76 mm)
Couple de serrage de bougie	180 lb-in (20 Nm)
Entrefer volant/bobine	.008 - .012 in (,20 - ,30 mm)
Jeu de soupape d'admission	.004 - .006 in (,10 - ,15 mm)
Jeu de soupape d'échappement	.004 - .006 in (,10 - ,15 mm)

La puissance du moteur diminuera de 3,5 % à chaque palier d'altitude de 300 mètres (par rapport au niveau de la mer) et de 1 % tous les 5,6 °C à partir de 25° C. Le moteur fonctionne de façon satisfaisante à un angle allant jusqu'à 15°. Consulter le mode d'emploi de l'équipement pour une utilisation sûre en pente.

Pièces de rechange - Modèle : 120000, 150000, 200000, 210000	
Pièce de rechange	Référence de pièce
Filtre à air plat	491588, 5043
Préfiltre du filtre à air plat	493537, 5064
Filtre à air ovale (Modèles 120000, 150000)	697029, 5059
Préfiltre du filtre à air ovale (Modèles 120000, 150000)	273356
Filtre à air ovale (Modèles 200000, 210000)	695302
Préfiltre du filtre à air ovale (Modèles 200000, 210000)	695303
Filtre à carburant	694485
Stabilisateur & agent de traitement de carburant à formule avancée	100117, 100120
Bougie à résistance	491055
Bougie en platine longue durée	5066
Clé à bougie	89838, 5023
Éclateur	19368

Nous vous recommandons de confier à un Réparateur Briggs & Stratton agréé tout l'entretien de votre moteur et de ses pièces.

**Puissances nominales :** La puissance brute de chaque modèle de moteur à essence est indiquée conformément au Code J1940 (procédure de calcul de la puissance et du couple des petits moteurs) de la norme SAE (Society of Automotive Engineers), et elle a été obtenue conformément à la norme SAE J1995. Les valeurs de couple sont calculées à 2 600 tr/min pour les moteurs dont l'étiquette porte la mention « RPM » et à 3 060 tr/min pour tous les autres. Les valeurs en CV sont dérivées à 3 600 tr/min. Les courbes de puissance brute peuvent être consultées sur le site [www.BRIGGSandSTRATTON.COM](http://www.BRIGGSandSTRATTON.COM). Les valeurs données pour la puissance nette sont mesurées avec l'échappement ou le filtre à air installé tandis que les valeurs données pour la puissance brute sont recueillies sans ces accessoires. La puissance brute réelle du moteur sera plus élevée que la puissance nette du moteur et est affectée, entre autres, par les conditions atmosphériques de fonctionnement et les variations d'un moteur à l'autre. Compte tenu de la grande variété de machines sur lesquelles nos moteurs sont utilisés, il se peut que le moteur à essence ne développe pas la puissance nominale brute une fois qu'il est monté sur une machine particulière. Cette différence s'explique par un grand nombre de facteurs, y compris, sans toutefois s'y limiter, la diversité des composants du moteur (filtre à air, échappement, admission, refroidissement, carburateur, pompe à essence, etc.), limites d'utilisation, conditions ambiantes d'utilisation (température, humidité, altitude) et variations d'un moteur à l'autre. Pour des raisons de fabrication et de capacité limitées, Briggs & Stratton est susceptible de remplacer ce modèle par un moteur plus puissant.

# Garantie

## Garantie sur le moteur Briggs & Stratton

En vigueur à partir de janvier 2017

### Garantie limitée

Briggs & Stratton garantit la réparation ou le remplacement gratuit, pendant la période de garantie spécifiée ci-dessous, de toute pièce présentant des défauts matériels ou de fabrication. Les frais de transport du produit à réparer ou remplacer seront, dans le cadre de cette garantie, à la charge de l'acheteur. Cette garantie court sur les périodes énoncées ci-dessous et est assujettie aux conditions énoncées ci-dessous. Pour le service de garantie, vous trouverez le centre de réparations agréé le plus proche dans notre carte des points de vente à l'adresse BRIGGSandSTRATTON.COM. L'acheteur doit contacter le distributeur agréé puis lui confier le produit à des fins d'inspection et de test.

**Il n'existe aucune autre garantie expresse. Les garanties implicites, y compris celles de qualité marchande et d'adéquation à un usage particulier sont limitées à la période de garantie indiquée ci-dessous, ou dans la mesure permise par la loi.** Les responsabilités relatives aux dommages consécutifs ou indirects sont exclues dès lors que cette exclusion est autorisée par la loi. Certains États ou pays ne permettent pas les limitations de durée de la garantie implicite. Certains États ou pays n'autorisent pas l'exclusion ou la limitation des dommages consécutifs ou indirects. Dans ce cas, l'exclusion et la limitation ci-dessus ne s'appliquent pas à votre cas. La présente garantie vous accorde certains droits légaux spécifiques et vous pourriez également en avoir d'autres, lesquels peuvent varier d'un État ou d'une province à l'autre et d'un pays à l'autre <sup>4</sup>.

### Conditions standards de la garantie <sup>1, 2, 3</sup>

Marque / Type de produit	Utilisation par le consommateur	Usage professionnel
Vanguard™ ; série commerciale	36 mois	36 mois
Moteurs à chemise en fonte à alésage Dura-Bore™	24 mois	12 mois
Tous les autres moteurs	24 mois	3 mois

<sup>1</sup>Ce sont nos conditions standards de garantie, mais il peut y avoir, de temps à autre, une garantie supplémentaire qui n'a pas été définie à la date de la publication. Pour connaître les modalités actuelles de garantie s'appliquant à votre moteur, visitez le site [www.BRIGGSandSTRATTON.com](http://www.BRIGGSandSTRATTON.com) ou contactez votre revendeur Briggs & Stratton agréé.

<sup>2</sup> Il n'y a aucune garantie sur les moteurs utilisés pour l'alimentation de base à la place des services publics ou des générateurs de secours utilisés à des fins commerciales. Les moteurs utilisés en course automobile ou avec un but d'exploitation commerciale ou de location ne sont pas garantis.

<sup>3</sup> Vanguard installé sur des générateurs de secours : 24 mois en usage privé, aucune garantie pour une utilisation commerciale. Vanguard installé sur des véhicules utilitaires : 24 mois en usage privé, 24 mois pour une utilisation commerciale. La série commerciale dont la date de fabrication est antérieure à juillet 2017, 24 mois en usage privé, 24 mois pour une utilisation commerciale.

<sup>4</sup> En Australie – Nos produits sont accompagnés de garanties qui ne peuvent être exclues en vertu de la loi australienne de protection du consommateur (Australian Consumer Law). Vous pouvez obtenir un remplacement ou un remboursement en cas de défaillance majeure ou en compensation de toute perte ou de tout dommage survenus dans le cadre des conditions raisonnablement prévisibles d'utilisation du produit. Vous pouvez également bénéficier de la réparation ou du remplacement des produits si la qualité de ces derniers n'est pas acceptable et si le défaut n'entraîne pas de défaillance majeure. Pour les réparations couvertes par la garantie, trouvez le réparateur agréé le plus proche de chez vous au moyen de la carte localisatrice de nos revendeurs sur le site BRIGGSandSTRATTON.COM, ou en composant le 1-300-274-447, ou en envoyant un courrier électronique à [salesenquiries@briggsandstratton.com.au](mailto:salesenquiries@briggsandstratton.com.au), ou en écrivant à Briggs & Stratton Australia Pty Ltd, 1 Moorebank Avenue, Moorebank, NSW, Australie, 2170.

La période de garantie débute à la date d'achat par le premier acheteur au détail ou par le premier utilisateur commercial final. L'utilisation en « usage privé » signifie que le produit sera utilisé par un consommateur au détail dans un but privé. L'« utilisation commerciale » indique toutes les autres utilisations possibles, y compris commerciales, créatrices de revenus ou locatives. Dès qu'un moteur a servi à des fins commerciales, il sera considéré comme un moteur pour une utilisation commerciale dans le cadre de la présente garantie.

**Conservez le reçu de votre achat. Si vous ne fournissez pas la preuve de la date d'achat initiale au moment de la demande du service de garantie, la date de fabrication du produit sera retenue pour déterminer la période de garantie. L'enregistrement du produit n'est pas nécessaire pour bénéficier de la garantie sur les produits Briggs & Stratton.**

### Au sujet de votre garantie

Cette garantie limitée couvre le matériel relatif au moteur et/ou les problèmes de fabrication uniquement, et non le remplacement ou le remboursement de la machine sur lequel le moteur était installé. Les mises au point de routine, les réglages, les ajustements et l'usage normale ne sont pas couvertes par cette garantie. De même, la garantie ne s'applique pas si le moteur a été altéré ou modifié, ou si le numéro de série du moteur a été dégradé ou

effacé. Cette garantie ne couvre pas les dommages du moteur ou les problèmes de performance dus à :

1. L'usage de pièces qui ne sont pas des pièces d'origine Briggs & Stratton ;
2. L'utilisation du moteur avec de l'huile en quantité insuffisante, contaminée ou d'un grade de lubrification inadéquat ;
3. L'usage de carburant contaminé ou éventé, d'essence contenant plus de 10 % d'éthanol ou de carburants de remplacement tels que le pétrole liquéfié ou le gaz naturel sur des moteurs non conçus/fabriqués par Briggs & Stratton pour de tels carburants ;
4. Les saletés qui pénètrent dans le moteur du fait d'un entretien inadéquat du filtre à air ou de son remontage ;
5. Heurter un objet avec le couteau d'une tondeuse à gazon rotative, des adaptateurs de lames desserrés ou mal montés, des turbines ou tout autre dispositif couplé à un vilebrequin, ou un serrage excessif de la courroie en V ;
6. Les pièces associées ou ensembles tels que les embrayages, les transmissions, les commandes du matériel, etc. qui ne sont pas fournis par Briggs & Stratton ;
7. Surchauffe provoquée par l'herbe coupée, les saletés et les débris, ou les nids de rongeurs qui obstruent ou bouchent les ailettes de refroidissement ou la zone du volant moteur ou par le fonctionnement du moteur sans une aération suffisante ;
8. Des vibrations excessives provoquées par un surrégime, un montage mal serré du moteur, des lames ou turbines desserrées ou mal équilibrées, ou un mauvais couplage des composants du matériel au vilebrequin ;
9. Un abus, un manque d'entretien courant, l'expédition, la manutention ou l'entreposage de l'équipement ou une mauvaise installation du moteur.

**Les services couverts par la garantie sont assurés par les distributeurs Briggs & Stratton agréés uniquement. Trouvez votre centre de services autorisé le plus proche en utilisant la carte localisatrice de nos revendeurs sur le site BRIGGSandSTRATTON.COM ou en appelant le 1-800-233-3723 (aux États-Unis).**

80004537 (Rév. C)

Questo manuale contiene norme di sicurezza importanti per prevenire ogni rischio associato al motore. Contiene inoltre istruzioni sull'uso e la manutenzione corretta del motore. Poiché Briggs & Stratton non conosce necessariamente l'applicazione sulla quale verrà installato questo motore, è molto importante leggere e capire l'intero contenuto del manuale d'istruzioni dell'attrezzatura sulla quale è installato il motore. **Conservare l'originale delle presenti istruzioni per potervi fare riferimento in futuro.**

**Nota:** Le figure e le illustrazioni di questo manuale sono solo per riferimento e possono differire dallo specifico modello acquistato. Contattare il rivenditore se si hanno domande.

Per ordinare i ricambi o inviare eventuali richieste di assistenza, annotare qui i numeri di Modello, Tipo e Codice del motore insieme alla data di acquisto. Questi numeri si trovano sul motore (vedere la sezione **Caratteristiche e controlli**).

Data dell'acquisto:	
Modello del motore - Tipo - Trim	
Numero di serie del motore	

Cercare il codice a barre 2D riportato su alcuni motori. Quando viene visualizzato con un dispositivo abilitato al 2D, il codice rimanda al nostro sito web, dove è possibile accedere alle informazioni di supporto per questo prodotto. Si applicano gli indici di trasferimento dati. Alcuni Paesi potrebbero non disporre delle informazioni di supporto.



## Sicurezza dell'operatore

### Simbolo di avvertenza per la sicurezza e termini di segnalazione

Il simbolo di avvertenza per la sicurezza è utilizzato per segnalare le informazioni di sicurezza su rischi che possono portare a lesioni personali. Si usa un termine di segnalazione (PERICOLO, AVVERTENZA o ATTENZIONE) per indicare la probabilità o la gravità del rischio. Inoltre, per indicare il tipo di pericolo può essere utilizzato un simbolo di sicurezza.

**PERICOLO** indica un rischio che, se non evitato, **provocherà gravi lesioni o morte.**

**AVVERTENZA** indica un rischio che, se non evitato, **potrebbe avere come conseguenza morte o lesioni gravi.**

**ATTENZIONE** indica un rischio che, se non evitato, **potrebbe provocare lesioni minori o moderate.**

**AVVISO** indica un'azione che **potrebbe causare danni al prodotto.**

### Simboli indicanti rischio e relativi significati

Simbolo	Significato	Simbolo	Significato
	Informazioni di sicurezza relative ai rischi che possono causare lesioni personali.		Prima di usare o riparare la macchina, leggere e comprendere il manuale per l'operatore.
	Pericolo di incendio		Pericolo di esplosione.
	Pericolo di scossa elettrica.		Pericolo di fumi tossici.

Simbolo	Significato	Simbolo	Significato
	Pericolo superfici estremamente calde		Pericolo acustico - Protezione auricolare raccomandata in caso di uso prolungato.
	Pericolo di lancio di oggetti - Indossare una protezione per gli occhi.		Pericolo di esplosione.
	Pericolo di congelamento.		Pericolo di contraccolpo
	Pericolo di amputazione - Parti in movimento		Pericolo chimico
	Pericolo di riscaldamento termico		Corrosivo

## Messaggi sulla sicurezza



### AVVERTENZA

Certi componenti di questo prodotto e i relativi accessori contengono sostanze chimiche che lo Stato della California ritiene essere causa di cancro, malformazioni alla nascita e altri problemi relativi all'apparato riproduttivo. Dopo averli maneggiati, lavarsi le mani.



### AVVERTENZA

Gli scarichi emessi da questo prodotto contengono sostanze chimiche che lo Stato della California ritiene suscettibili di generare malattie quali cancro, malformazioni alla nascita e altri problemi relativi all'apparato riproduttivo.



### AVVERTENZA

I motori Briggs & Stratton non sono progettati per essere usati su: fun-kart; go-kart; veicoli per bambini, ricreativi o fuori strada; motociclette, prodotti a camera ad aria, velivoli o veicoli impiegati in eventi competitivi non approvati da Briggs & Stratton. Per informazioni su prodotti da competizione, visitare il sito [www.briggsracing.com](http://www.briggsracing.com). Per l'impiego su quad e motoslitte, contattare Briggs & Stratton Engine Application Center, 1-866-927-3349. L'uso scorretto del motore può provocare lesioni gravi o la morte.



### AVVERTENZA



**Il carburante e i suoi vapori sono estremamente infiammabili ed esplosivi.**

**Incendi ed esplosioni possono provocare gravi ustioni o morte.**

#### Quando si rabbocca il carburante

- Spegner il motore e lasciarlo raffreddare per almeno 2 minuti prima di rimuovere il tappo del carburante.
- Rifornire il serbatoio del carburante all'esterno e in un'area ben ventilata.
- Non mettere troppo carburante nel serbatoio. Per consentire l'espansione del carburante, non riempire al di sopra del fondo del collo del serbatoio.
- Tenere il carburante lontano da scintille, fiamme libere, fiamme pilota e altre fonti di ignizione.
- Controllare spesso linee del carburante, serbatoio, tappo e accessori per eventuali lesioni o perdite. Sostituire se necessario.
- Se il carburante si versa, attendere che sia evaporato prima di avviare il motore.

#### Quando si avvia il motore

- Assicurarsi che candela, marmitta, tappo del carburante e filtro dell'aria (se in dotazione) siano al loro posto e fissati.
- Non far girare il motore senza candela.

- Se il motore si ingolfia, impostare la valvola dell'aria (se presente) in posizione OPEN/RUN, spostare l'acceleratore (se presente) in posizione FAST e tentare l'avviamento fino a che il motore si avvia.

#### Quando si utilizza lo spazzaneve

- Non inclinare il motore o l'attrezzatura al punto da provocare la fuoriuscita del carburante.
- Non aprire la valvola dell'aria del carburatore per arrestare il motore.
- Non avviare o mettere in funzione il motore senza gruppo filtro dell'aria (se presente) o filtro dell'aria (se presente).

#### Quando si cambia l'olio

- Se si spurga l'olio dalla parte superiore del tubo di rifornimento, il serbatoio del carburante deve essere vuoto altrimenti il carburante stesso può versarsi con rischio di incendio o esplosione.

#### Quando si inclina l'unità per la manutenzione

- Quando si eseguono interventi di manutenzione che richiedono l'inclinazione dell'unità, il serbatoio del carburante, se montato sul motore, deve essere vuoto, altrimenti il carburante potrebbe fuoriuscire, causando incendi o esplosioni.

#### Quando si trasporta lo spazzaneve

- Trasportare con il serbatoio del carburante VUOTO o con la valvola di intercettazione del carburante in posizione CHIUSA.

#### Immagazzinaggio del dispositivo con il combustibile nel serbatoio

- Conservare lontano da forni, stufe, caldaie o altri dispositivi con fiamme pilota o altre fonti di accensione in grado di infiammare i vapori del carburante.



L'avvio del motore produce scintille.

Le scintille possono accendere gas infiammabili presenti nelle vicinanze.

Le conseguenze potrebbero essere esplosione o incendio.

- In caso di perdita di metano o GLP nell'area, non avviare il motore.
- Non usare fluidi di avvio pressurizzati perché i vapori sono infiammabili.



**PERICOLO GAS VELENOSO.** Lo scarico del motore contiene monossido di carbonio, un gas velenoso che può uccidere in pochi minuti. **NON si vede, non ha gusto o odore. Anche se non si respirano i fumi di scarico, è possibile comunque essere esposti al monossido di carbonio. In caso di malessere, sensazione di malessere o debolezza durante l'utilizzo del prodotto, arrestare il motore e dirigersi IMMEDIATAMENTE verso l'aria fresca. Consultare un medico. Potrebbe essersi verificato un avvelenamento da monossido di carbonio.**

- Utilizzare questo prodotto SOLO all'aperto, lontano da finestre, porte o condotti di aerazione per ridurre il rischio che il monossido di carbonio possa accumularsi e spinto all'interno di spazi chiusi occupati.
- Installare gli allarmi monossido di carbonio a batteria o inserire allarmi monossido di carbonio con riserva a batteria seguendo le istruzioni del fabbricante. Gli allarmi per il fumo non possono rilevare il monossido di carbonio.
- NON utilizzare il prodotto all'interno di abitazioni, garage, cantine, locali interrati, capanni o altri spazi parzialmente chiusi, anche se dotati di ventole oppure porte e finestre aperte per la ventilazione. Il monossido di carbonio può accumularsi velocemente in tali spazi e ristagnare per ore, anche quando la macchina è stata spenta.
- Usare SEMPRE questo prodotto sottovento e puntare lo scarico del motore lontano da spazi occupati.



Il ritorno rapido del cavo di avviamento (contraccolpo) strapperà la mano e il braccio verso il motore prima che si possa lasciare andare della manovella.

Ciò può causare rotture ossee, fratture, contusioni o distorsioni.

- Per avviare il motore, tirare lentamente l'impugnatura della fune finché non si sente una certa resistenza, quindi tirarla con forza per evitare il contraccolpo.
- Prima di avviare il motore, disinserire tutte le attrezzature esterne e gli eventuali carichi dal motore.



**Le parti rotanti possono toccare o intrappolare mani, piedi, capelli, indumenti o accessori.**

**Pericolo di amputazione o gravi lacerazioni.**

- Utilizzare sempre l'attrezzatura con i carter protettivi in posizione.
- Tenere lontani mani e piedi dalle parti rotanti.
- Legare i capelli lunghi e togliere i gioielli.
- Non indossare indumenti larghi, stringhe lunghe o altri oggetti che potrebbero rimanere impigliati.



**I motori accesi generano calore. Alcune parti del motore, specialmente la marmitta, diventano estremamente calde.**

**In caso di contatto sussiste il rischio di gravi ustioni.**

**Detriti infiammabili come foglie, erba, arbusti, ecc. possono prendere fuoco.**

- Prima di toccare, lasciare che marmitta, cilindro del motore e alette si raffreddino.
- Rimuovere i detriti accumulati dalla zona di marmitta e cilindro.
- La sezione 4442 del codice sulle risorse pubbliche della California vieta l'uso o l'operazione della macchina in zone forestali, zone cespugliose o zone erbose a meno che il sistema di scarico non sia dotato di parascintille, come definito nella sezione 4442, conservati in perfetta funzionalità. Esistono leggi simili anche in altri stati o zone federali. Contattare il costruttore originale o un rivenditore autorizzato per avere un apposito parascintille per il sistema di scarico installato su questo motore.



**Una scintilla accidentale può provocare un incendio oppure una scossa elettrica.**

**L'avvio accidentale può provocare schiacciamento, amputazione o lacerazione degli arti.**

**Pericolo d'incendio**

**Prima di eventuali regolazioni o riparazioni:**

- Scollegare il cavo della candela e tenerlo lontano dalla stessa.
- Scollegare il terminale negativo della batteria (solamente sui motori ad avviamento elettrico).
- Usare solo attrezzi corretti.
- Non manomettere le molle del regolatore, i collegamenti o altre parti per aumentare la velocità del motore.
- I ricambi devono essere uguali e installati nella stessa posizione dei componenti originali. Ricambi diversi potrebbero non funzionare altrettanto bene, danneggiare l'unità e causare lesioni alle persone.
- Non battere il volano con un martello o un oggetto metallico in quanto si potrebbe lesionare ed esplodere durante il funzionamento.

**In caso di verifica della scintilla:**

- Usare un tester approvato per candele.
- Non controllare le scintille con la candela rimossa.

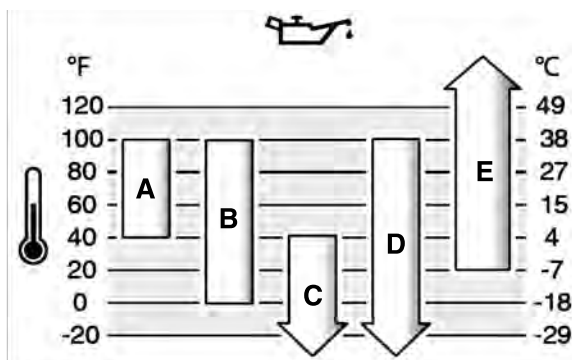
## Caratteristiche e comandi

### Comandi del motore

Confrontare l'illustrazione (Figura: 1, 2, 3) con il motore in modo da prendere familiarità con la posizione dei vari comandi e delle funzioni.

- Identificazione del motore **Modello - Tipo - Codice**
- Candela
- Filtro dell'aria (piatto od ovale)
- Controllo Starter

- E. Valvola di chiusura del carburante (se prevista)
- F. Maniglia del cavo del motorino di avviamento
- G. Griglia di aspirazione dell'aria
- H. Comando acceleratore (se presente)
- I. Interruttore d'arresto (se previsto)
- J. Serbatoio del carburante e tappo
- K. Astina di livello lunga (se prevista)
- L. Astina di livello corta (se prevista)
- M. Tappo di scarico dell'olio
- N. Rabbocco olio
- O. Silenziatore, Protezione della marmitta (se presente), Parascintille (se presente)
- P. Chiave di sicurezza (modelli ad avviamento elettrico)
- Q. Interruttore ON/OFF (modelli ad avviamento elettrico)
- R. Motoriduttore (se presente)
- S. Interruttore a chiave (modelli ad avviamento elettrico)



<b>A</b>	<b>SAE 30</b> - Al di sotto di 40 °F (4 °C) l'uso di SAE 30 avrà come conseguenza un avvio difficile.
<b>B</b>	<b>10W-30</b> - Al di sopra di 80 °F (27 °C) l'uso di 10W-30 può causare maggiore consumo di olio. Controllare il livello dell'olio più di frequente.
<b>C</b>	<b>5W-30</b>
<b>D</b>	<b>Synthetic 5W-30</b>
<b>E</b>	<b>Vanguard™ Synthetic 15W-50</b>

## Simboli dei comandi del motore e relativi significati

Simbolo	Significato	Simbolo	Significato
	Velocità motore - VELOCE		Velocità motore - LENTO
	Velocità motore - STOP		ON - OFF
	Avvio motore - Comando dell'aria CHIUSO		Avvio motore - Comando dell'aria APERTO
	Tappo del carburante Rubinetto del carburante - APERTO		Rubinetto del carburante - CHIUSO
	Livello di carburante - massimo Non riempire troppo		

## Funzionamento

### Suggerimenti per l'olio

Capacità d'olio: Consultare il **Specifiche**.

#### NOTA

Il motore viene fornito dalla Briggs & Stratton senza olio. Costruttori o rivenditori potrebbero aver aggiunto dell'olio al motore. Prima di avviare il motore per la prima volta, assicurarsi di verificare il livello dell'olio e di aggiungerne se del caso secondo le istruzioni di questo manuale. Se si avvia il motore senza olio, i danni non potranno essere riparati e non saranno coperti dalla garanzia.

Per le migliori prestazioni, si consiglia l'uso di oli con certificato di garanzia Briggs & Stratton. Altri oli detergenti di alta qualità sono accettabili se classificati per servizio SF, SG, SH, SJ o superiore. Non utilizzare additivi speciali.

Le temperature esterne determinano la corretta viscosità dell'olio per il motore. Utilizzare lo schema per selezionare la migliore viscosità in base all'intervallo di temperature esterne previste. I motori di numerose attrezzature per esterni funzionano bene con olio sintetico 5W-30. Per attrezzature operate a temperature elevate, l'olio sintetico Vanguard™ 15W-50 fornisce la migliore protezione.

## Controllare il livello dell'olio

Vedere Figura: 4, 5

**Prima di rabboccare o controllare il livello dell'olio.**

- Accertarsi che il motore sia a livello.
- Eliminare tutti i detriti dalla zona di riempimento dell'olio.

### Tappo di rabbocco dell'olio, se previsto

1. Togliere il tappo di rabbocco dell'olio (A, Figura 4).
2. Se il livello dell'olio è basso, rabboccarlo lentamente nel motore (B, Figura 4). Rabboccare fino al punto di troppo pieno.
3. Reinstallare e serrare il tappo di rabbocco dell'olio (A, Figura 4).

### Astina di livello corta, se prevista

1. Togliere l'astina di livello (C, Figura 4) e pulire con un panno pulito.
2. Installare l'astina (C, Figura 4). **Non girare né serrare.**
3. Estrarre l'asta e controllare il livello dell'olio. Il livello dell'olio corretto è nella parte superiore dell'indicatore di pieno (D, Figura 4) sull'astina.
4. Se il livello dell'olio è basso, rabboccarlo lentamente nel motore (B, Figura 4). Rabboccare fino al punto di troppo pieno.
5. Reinstallare e serrare l'astina di livello (C, Figura 4).

### Astina di livello lunga, se prevista

1. Togliere l'astina di livello (A, Figura 5) e pulire con un panno pulito.
2. Installare e serrare l'astina (A, Figura 5).
3. Estrarre l'asta e controllare il livello dell'olio. Il livello dell'olio corretto è nella parte superiore dell'indicatore di pieno (B, Figura 5) sull'astina.
4. Se il livello dell'olio è basso, rabboccarlo lentamente nel motore (C, Figura 5). **Non riempire troppo.** Dopo aver aggiunto l'olio, attendere un minuto prima di verificarne nuovamente il livello.
5. Reinstallare e serrare l'astina di livello (A, Figura 5).

## Sistema di protezione olio basso (se presente)

Alcuni motori sono provvisti di un sensore di olio basso. Se il livello dell'olio è basso, il sensore attiverà una spia di allarme o arresterà il motore. Arrestare il motore e seguire la seguente procedura prima di riavviarlo.

- Accertarsi che il motore sia a livello.
- Controllare il livello dell'olio. Consultare la sezione **Controllare il livello dell'olio**.
- Se il livello dell'olio è basso, rabboccare con la quantità d'olio necessaria. Avviare il motore e accertarsi che la spia di allarme (se presente) non si accenda.



- Se il livello dell'olio non è basso, non avviare il motore. Contattare un Centro di Assistenza Autorizzato Briggs & Stratton per risolvere il problema dell'olio.

## Raccomandazioni relative al carburante

È necessario che la benzina sia conforme a questi requisiti:

- Benzina pulita, nuova, senza piombo.
- Minimo 87 ottani/87 AKI (91 RON). Per uso ad altitudini elevate vedere in seguito.
- È ritenuta accettabile la benzina con un contenuto di etanolo (miscela benzina-alcol) fino al 10%.

**NOTA** non usare benzine non approvate, come E15 ed E85. Non aggiungere olio alla benzina né modificare il motore affinché possa operare con carburanti alternativi. L'uso di carburanti non approvati provoca danni ai componenti del motore, che non sono coperti da garanzia.

Per proteggere l'impianto del carburante da formazioni gommose, miscelare al carburante uno stabilizzante. Vedere **Stoccaggio**. Non tutti i carburanti sono uguali. Se si verificano problemi di avviamento o le prestazioni dell'unità non sono soddisfacenti, cambiare il fornitore o la marca del carburante. Questo motore è certificato per funzionare a benzina. Sistema di controllo delle emissioni di scarico: EM (Engine Modifications).

### Altitudine elevata

Ad altitudini superiori a 1524 metri (5.000 piedi), è accettabile benzina con numero minimo di ottani 85/85 AKI (89 RON).

Per i motori carburati, è richiesta la regolazione per altitudine elevata per mantenere le performance. Il funzionamento senza regolazione causa degrado delle prestazioni, maggiore consumo di carburante e maggiori emissioni. Per informazioni sulla regolazione ad altitudini elevate, rivolgersi a un rivenditore autorizzato Briggs & Stratton. Se è impostata la regolazione per altitudini elevate, si sconsiglia di far funzionare del motore ad altitudini inferiori a 762 metri circa (2.500 piedi).

Per i motori a Iniezione elettronica (EFI), non occorrono regolazioni per altitudine elevata.

## Rifornimento di carburante

Vedere figura: 6



**AVVERTENZA**  
Il carburante e i suoi vapori sono estremamente infiammabili ed esplosivi.

Un incendio oppure un'esplosione possono provocare gravi ustioni o morte.

### Durante il rifornimento di carburante

- Spegner il motore e lasciarlo raffreddare per almeno 2 minuti prima di togliere il tappo del serbatoio del carburante.
  - Rifornire il serbatoio del carburante all'esterno e in un'area ben ventilata.
  - Non mettere troppo carburante nel serbatoio. Per consentire l'espansione del carburante, non riempire al di sopra del fondo del collo del serbatoio.
  - Tenere il carburante lontano da scintille, fiamme libere, fiamme pilota e altre fonti di ignizione.
  - Controllare spesso linee del carburante, serbatoio, tappo e accessori per eventuali lesioni o perdite. Sostituire se necessario.
  - Se il carburante si versa, attendere che sia evaporato prima di avviare il motore.
1. Liberare la zona intorno al tappo del carburante da sporco e detriti. Togliere il tappo del carburante.
  2. Rifornire il serbatoio (A, Figura 6) con il carburante. Per consentire l'espansione del carburante, non riempire al di sopra del fondo del collo del serbatoio (B).
  3. Rimontare il tappo del carburante.

## Avviare e arrestare il motore

Vedere Figura: 7, 8

### Avviamento del motore



**AVVERTENZA**  
Il ritorno rapido del cavo di avviamento (contraccolpo) strapperà la mano e il braccio verso il motore prima che si possa lasciare andare della manovella.

Ciò può causare rotture ossee, fratture, contusioni o distorsioni.

- Per evitare il contraccolpo quando si avvia il motore, tirare dapprima lentamente, finché non si incontra resistenza, e quindi tirare rapidamente.



**AVVERTENZA**  
Il carburante e i suoi vapori sono estremamente infiammabili ed esplosivi.

Un incendio oppure un'esplosione possono provocare gravi ustioni o morte.

### Quando si avvia il motore

- Assicurarsi che candela, marmitta, tappo del carburante e filtro dell'aria (se in dotazione) siano al loro posto e fissati.
- Non far girare il motore senza candela.
- Se il motore si ingolfia, impostare la ventola dell'aria (se presente) in posizione APRI/MARCIA, spostare l'acceleratore (se presente) in posizione VELOCE e far girare fino a che il motore si avvia.



**AVVERTENZA**  
**PERICOLO GAS VELENOSO.** Lo scarico del motore contiene monossido di carbonio, un gas velenoso che può uccidere in pochi minuti. **NON si vede, non ha gusto o odore. Anche se non si respirano i fumi di scarico, è possibile comunque essere esposti al monossido di carbonio. Se ci si sente male, con una sensazione di malessere o debolezza utilizzando il prodotto, arrestare il motore ed uscire SUBITO all'aria fresca. Rivolgersi ad un medico. Potrebbe essersi verificato un avvelenamento da monossido di carbonio.**

- Utilizzare questo prodotto SOLO all'aperto, lontano da finestre, porte e ventole per ridurre il rischio che il monossido di carbonio si accumuli e possa incanalarsi in spazi non occupati.
- Installare gli allarmi monossido di carbonio a batteria o inserire allarmi monossido di carbonio con riserva a batteria seguendo le istruzioni del fabbricante. Gli allarmi per il fumo non possono rilevare il monossido di carbonio.
- NON utilizzare la macchina dentro casa, all'interno di garage, piani interrati, intercapedini, capanni o altri spazi parzialmente chiusi anche se si utilizzassero ventole o lasciassero aperte porte e finestre per garantire la ventilazione. Il monossido di carbonio può accumularsi velocemente in tali spazi e ristagnare per ore, anche quando la macchina è stata spenta.
- Usare SEMPRE questo prodotto sottovento e puntare lo scarico del motore lontano da spazi occupati.

**NOTA** Il motore viene fornito dalla Briggs & Stratton senza olio. Prima di avviare il motore, assicurarsi di aggiungere olio secondo le istruzioni di questo manuale. Se si avvia il motore senza olio i danni non potranno essere riparati e non saranno coperti dalla garanzia.

**Nota:** L'attrezzatura può essere dotata di comandi a distanza. Consultare il manuale della specifica attrezzatura per la posizione e il funzionamento dei comandi a distanza.

1. Controllare l'olio del motore. Consultare la sezione **Controllare il livello dell'olio**.
2. Verificare che i comandi delle attrezzature, se presenti, siano disinnestati.
3. Portare la valvola di chiusura del carburante (A, Figura 7), se presente, in posizione OPEN.
4. Portare la leva di comando dell'acceleratore (C, Figura 7), se presente, in posizione FAST. Far funzionare il motore nella posizione veloce.
5. Spostare il comando dell'aria (B, Figura 7) in posizione CHOKE.

**Nota:** In genere, lo starter non è necessario per riavviare un motore caldo.

6. Spostare l'interruttore di arresto (D, Figura 7), se presente, in posizione ON.
7. **Avviamento a strappo, se presente:** Impugnare saldamente la maniglia del cavo del motorino di avviamento (E, Figura 7). Tirare la manovella di avviamento lentamente finché non si incontra resistenza e quindi tirare rapidamente.



**AVVERTENZA**  
Il ritorno rapido del cavo di avviamento (contraccolpo) tirerà la mano e il braccio verso il motore prima che si possa lasciare andare la manovella. Ciò può causare rotture ossee, fratture, contusioni o distorsioni. Per evitare il contraccolpo quando si avvia il motore, tirare dapprima lentamente, finché non si incontra resistenza, e quindi tirare rapidamente.

8. **Avviamento elettrico, se dotato di chiave di sicurezza (F):** Premere il tasto di sicurezza (F, Figura 7). Premere momentaneamente l'interruttore di avviamento (G). Quando il motore si avvia, rilasciare l'interruttore.
9. **Avviamento elettrico, se dotato di chiave di sicurezza automatica (H):** Portare l'interruttore a chiave (H, Figura 8) sulla posizione AVVIO. Quando il motore si avvia, rilasciare l'interruttore a chiave.

**NOTA** Per prolungare la durata dello starter, usare cicli di avviamento brevi (al massimo, cinque secondi). Attendere un minuto prima di ripetere il tentativo di avviamento.

10. Appena il motore si è riscaldato, spostare il comando dell'aria (B, Figura 7) in posizione RUN.

**Nota:** Se il motore non parte dopo ripetuti tentativi, visitare [BRIGGSandSTRATTON.com](http://BRIGGSandSTRATTON.com), contattare il rivenditore locale o chiamare **1-800-233-3723** (negli USA).

## Arrestare il motore



**AVVERTENZA**

Il carburante e i suoi vapori sono estremamente infiammabili ed esplosivi.

Un incendio oppure un'esplosione possono provocare gravi ustioni o morte.

- Non aprire il comando dell'aria del carburatore per arrestare il motore.
1. **Comando della farfalla, se previsto:** Spostare il comando della farfalla (C, Figura 7) fino alla posizione lento e quindi in posizione di arresto.  
**Interruttore d'arresto, se previsto:** Spostare l'interruttore di arresto (D, Figura 7) in posizione di arresto.  
**Chiave di sicurezza, se presente:** Rimuovere la chiave di sicurezza (F, Figura 7) e conservarla in un luogo sicuro fuori dalla portata dei bambini.  
**Interruttore d'arresto, se previsto:** Portare l'interruttore a chiave (H, Figura 8) sulla posizione OFF. Rimuovere la chiave e conservarla in un luogo sicuro fuori dalla portata dei bambini.
  2. Appena il motore si ferma, portare la valvola di chiusura del carburante (A, Figura 7), se presente, in posizione CLOSED.

## Manutenzione

**NOTA** Se durante la manutenzione il motore viene capovolto, il serbatoio del carburante, se montato sul motore, deve essere vuoto e il lato della candela deve essere verso l'alto. Se il serbatoio del carburante non è vuoto e il motore viene capovolto in qualunque altra direzione, può essere difficile l'avviamento a causa di contaminazione di olio o carburante nel filtro dell'aria e/o nella candela.



**AVVERTENZA**

Quando si eseguono interventi di manutenzione che richiedono l'inclinazione dell'unità, il serbatoio del carburante deve essere vuoto, altrimenti si può verificare una perdita di carburante, causando incendi o esplosioni.

Si consiglia di contattare un rivenditore autorizzato Briggs & Stratton per tutte le operazioni di assistenza e manutenzione del motore e dei relativi componenti.

**NOTA** Tutti i componenti che compongono il motore in origine debbono rimanere montati nelle proprie sedi per un funzionamento corretto.



**AVVERTENZA**

Una scintilla accidentale può provocare un incendio oppure una scossa elettrica.

L'avvio accidentale può provocare schiacciamento, amputazione o lacerazione degli arti.

Rischio di incendio

### Prima di eventuali regolazioni o riparazioni

- Scollegare il cavo della candela e tenerlo lontano dalla stessa.
- Staccare il terminale negativo della batteria (solamente sui motori ad avviamento elettrico).
- Usare solo attrezzi corretti.
- NON manomettere le molle del regolatore, i leverismi o altre parti per aumentare la velocità del motore.
- I ricambi devono essere uguali e installati nella stessa posizione dei componenti originali. Ricambi diversi potrebbero non funzionare altrettanto bene, danneggiare l'unità e causare lesioni alle persone.

- Non battere il volano con un martello o un oggetto metallico in quanto si potrebbe lesionare ed esplodere durante il funzionamento.

### In caso di verifica della scintilla

- Usare un tester approvato per candele.
- Non controllare le scintille con la candela rimossa.

## Dichiarazione controllo emissioni

**Solo personale o azienda che si occupa delle riparazioni dei motori in officina potranno procedere alla manutenzione, sostituzione o riparazione dei dispositivi e impianti di controllo delle emissioni.** Per ottenere un servizio di controllo delle emissioni "gratuito", è necessario che il controllo stesso sia effettuato da un concessionario debitamente autorizzato dall'azienda. Consultare la Dichiarazione controllo emissioni.

## Programma di manutenzione

Prime 5 ore
<ul style="list-style-type: none"><li>• Cambio dell'olio</li></ul>
Ogni 8 ore o giornalmente
<ul style="list-style-type: none"><li>• Controllare il livello dell'olio motore</li><li>• Pulire l'area intorno al silenziatore e ai comandi</li><li>• Pulire la griglia di aspirazione dell'aria</li></ul>
Ogni 25 ore oppure una volta l'anno
<ul style="list-style-type: none"><li>• Pulire il filtro dell'aria <sup>1</sup></li><li>• Pulire il pre-filtro (se presente) <sup>1</sup></li></ul>
Ogni 50 ore oppure una volta l'anno
<ul style="list-style-type: none"><li>• Cambiare l'olio motore</li><li>• Smontaggio del sistema di scarico</li></ul>
Ogni 100 ore
<ul style="list-style-type: none"><li>• Cambiare l'olio del riduttore (laddove presente)</li></ul>
Annualmente
<ul style="list-style-type: none"><li>• Sostituire la candela</li><li>• Sostituire il filtro dell'aria</li><li>• Sostituire il pre-filtro (se presente)</li><li>• Cambiare il filtro dell'olio (se presente)</li><li>• Smontaggio del sistema di alimentazione</li><li>• Smontaggio del sistema di raffreddamento <sup>1</sup></li><li>• Controllare il gioco della punteria <sup>2</sup></li></ul>

<sup>1</sup> Pulire più frequentemente in condizioni di lavoro particolarmente gravose o nel caso in cui siano presenti detriti nell'aria.

<sup>2</sup> Eseguire solo in caso di problemi legati alle prestazioni.

## Carburatore e velocità del motore

Non apportare mai modifiche al carburatore o alla velocità del motore. Il carburatore è impostato in fabbrica in modo da operare il modo efficiente nella maggior parte delle condizioni. Non manomettere le molle del regolatore, i collegamenti o altre parti per aumentare la velocità del motore. In caso siano necessarie delle regolazioni, rivolgersi a un Centro di assistenza autorizzato Briggs & Stratton.

**NOTA** Il produttore dell'attrezzatura specifica la velocità massima per il motore quando viene installato sull'attrezzatura. **Non superare** tale velocità. Se non si è sicuri della velocità massima dell'attrezzatura o quale velocità del motore sia stata impostata in fabbrica, contattare il Centro di assistenza autorizzato Briggs & Stratton per assistenza. Per un funzionamento sicuro e corretto dell'attrezzatura, la velocità del motore deve essere regolata solo da un tecnico dell'assistenza qualificato.

## Manutenzione della candela

Vedere figura: 9

Controllare la distanza (A, Figura 9) con uno spessore (B). Se necessario, ripristinare la distanza. Montare e serrare la candela al valore di coppia prescritto. Per i valori della coppia di serraggio o della distanza, consultare la sezione **Specifiche**.

**Nota:** \*\*In alcuni paesi per legge è obbligatorio l'uso di candele con resistore per la soppressione dei segnali di accensione. Se il motore, in origine, era dotato di una candela con resistore, sostituirla con una dello stesso tipo.

## Smontaggio del sistema di scarico



**AVVERTENZA**

I motori accesi generano calore. Alcune parti del motore, specialmente la marmitta, diventano estremamente calde.

In caso di contatto sussiste il rischio di gravi ustioni.

I detriti infiammabili, ad esempio foglie, erba, paglia, ecc. possono incendiarsi.

- Prima di toccare, lasciare che marmitta, cilindro del motore e alette si raffreddino.
- Rimuovere i detriti accumulati dalla zona di marmitta e cilindro.
- La sezione 4442 del codice sulle risorse pubbliche della California vieta l'uso o l'operazione della macchina in zone forestali, zone cespugliose o zone erbose a meno che l'unità non sia dotata di parascintille, come definito nella sezione 4442, conservati in perfetta funzionalità. Esistono leggi simili anche in altri stati o zone federali. Contattare un rivenditore autorizzato per avere un apposito parascintille per il sistema di scarico installato su questo motore.

Rimuovere i detriti accumulati dalla zona di marmitta e cilindro. Controllare il silenziatore per verificare l'eventuale presenza di incrinature, corrosione o altri danni. Rimuovere il parascintille, se in dotazione, e ispezionarlo per verificare se è danneggiato o se è presente un'occlusione provocata dal carbonio. Se si riscontrano danni, installare i pezzi di ricambio prima di mettere in funzione.



**AVVERTENZA**

I ricambi devono essere uguali e installati nella stessa posizione dei componenti originali. Ricambi diversi potrebbero non funzionare altrettanto bene, danneggiare l'unità e causare lesioni alle persone.

## Cambiare l'olio motore

Vedere Figura: 10, 11, 12

L'olio esausto è un rifiuto pericoloso e deve essere smaltito correttamente. Non smaltire con i rifiuti domestici. Rivolgersi alle autorità locali, al centro assistenza o al rivenditore per le strutture di smaltimento/riciclo.

### Rimuovere l'olio

1. Con il motore spento ma ancora caldo, scollegare il filo della candela (D, Figura 10) e tenerlo lontano dalla candela stessa (E).
2. Rimuovere il tappo di drenaggio dell'olio (F, Figura 11). Spurgare l'olio in un contenitore approvato.

**Nota:** È possibile installare nel motore uno qualsiasi dei tappi di drenaggio dell'olio (G, Figura 11).

3. Dopo aver scaricato l'olio, rimontare il tappo di drenaggio dell'olio e serrare (F, Figura 11).

### Rifornire di olio

- Accertarsi che il motore sia a livello.
- Eliminare tutti i detriti dalla zona di riempimento dell'olio.
- Vedere la sezione **Specifiche** per la capacità di olio.

### Tappo di rabbocco dell'olio, se previsto

1. Rimuovere il tappo di drenaggio dell'olio (H, Figura 11).
2. Rabboccare lentamente l'olio nel motore (C, Figura 11). Rabboccare fino al punto di troppo pieno.
3. Reinstallare e serrare il tappo di rabbocco dell'olio (H, Figura 11).
4. Collegare il filo della candela (D, Figura 10) alla candela stessa (E).

### Astina di livello corta, se prevista

1. Togliere l'astina di livello (A, Figura 11) e pulire con un panno pulito.

2. Rabboccare lentamente l'olio nel motore (C, Figura 11). Rabboccare fino al punto di troppo pieno.
3. Installare l'astina (A, Figura 11). **Non girare né serrare.** Estrarla e controllare il livello dell'olio. Il livello dell'olio corretto è nella parte superiore dell'indicatore di pieno (B) sull'astina.
4. Reinstallare e serrare l'astina di livello (A, Figura 11).
5. Collegare il filo della candela (D, Figura 10) alla candela stessa (E).

### Astina di livello lunga, se prevista

1. Togliere l'astina di livello (A, Figura 12) e pulire con un panno pulito.
2. Rabboccare lentamente l'olio nel motore (C, Figura 12). **Non riempire troppo.** Dopo aver aggiunto l'olio, attendere un (1) minuto prima di verificarne nuovamente il livello.
3. Installare e serrare l'astina (A, Figura 12).
4. Estrarla e controllare il livello dell'olio. Il livello dell'olio corretto è nella parte superiore dell'indicatore di pieno (B, Figura 12) sull'astina.
5. Reinstallare e serrare l'astina di livello (A, Figura 12).
6. Collegare il filo della candela (D, Figura 10) alla candela stessa (E).

## Cambiare l'olio del riduttore

Vedere Figura: 13, 14

### Motoriduttore 6:1 (Figura 13)

Se il motore è dotato di un motoriduttore con rapporto 6:1, procedere come segue per la manutenzione:

1. Rimuovere il tappo di rabbocco dell'olio (A, Figura 13) e il tappo di livello dell'olio (B).
2. Rimuovere il tappo di scarico dell'olio (C, Figura 13) e scaricare l'olio in un recipiente adeguato.
3. Rimuovere il tappo di scarico dell'olio (C, Figura 13).
4. Per rabboccare, versare lentamente il lubrificante per il motore (vedere la sezione **Specifiche**) nel foro di rabbocco dell'olio (D, Figura 13). Continuare a versare finché l'olio non trabocca dal foro di livello dell'olio (E).
5. Reinstallare e serrare l'asta di livello (B, Figura 13).
6. Reinstallare e serrare il tappo di rabbocco dell'olio (A, Figura 13).

**Nota:** Il tappo di rabbocco dell'olio (A, Figura 13) ha un forellino di sfianto (F), per cui tale tappo va sempre messo sull'orifizio superiore come illustrato.

### Motoriduttore 2:1 (Figura 14)

Il motoriduttore 2:1 (G, Figura 14) non richiede cambi d'olio.

## Manutenzione del filtro dell'aria

Vedere Figura: 15, 16, 17



**Il carburante e i suoi vapori sono estremamente infiammabili ed esplosivi.**

**Un incendio oppure un'esplosione possono provocare gravi ustioni o morte.**

- Mai avviare né far funzionare il motore con il gruppo di filtraggio dell'aria (se presente) o il filtro dell'aria (se presente) rimosso.

**NOTA** Non usare aria pressurizzata né solventi per pulire il filtro. L'aria compressa può danneggiare il filtro, mentre i solventi possono corrodere.

Consultare la **Tabella di manutenzione** per i requisiti di assistenza.

Diversi modelli usano un filtro in schiuma o in carta. Alcuni modelli sono anche dotati di un pre-filtro che può essere lavato e riutilizzato. Confrontare le illustrazioni in questo manuale con il tipo installato sul motore ed eseguire la manutenzione come segue.

### Filtro aria in carta

1. Allentare i fissanti (A, Figura 15, 16).
2. Rimuovere il coperchio (B, Figura 15, 16).
3. Rimuovere il pre-filtro (C, Figura 15, 16), se presenti, dal filtro (D).
4. Per togliere i detriti, battere delicatamente il filtro (D, Figura 15, 16) su una superficie dura. Se il filtro è troppo sporco, sostituirlo con uno nuovo.

- Lavare il pre-filtro (C, Figura 15, 16) con detergente liquido e acqua. Farlo asciugare completamente. **Non** ungere il prefiltro.
- Montare il pre-filtro asciutto (C, Figura 15, 16), se presente, sul filtro (D) con l'orlo (G) del pre-filtro sulla parte inferiore delle pieghe del filtro.
- Installare il filtro (D, Figura 15, 16).
- Sui modelli dotati di filtro dell'aria mostrato in Figura 15, installare le alette del coperchio (E) nelle scanalature (F).
- Installare il coperchio (B, Figura 15, 16) e fissarlo con i fissanti (A).

### Filtro aria in carta

- Allentare i fissanti (A, Figura 17).
- Rimuovere il coperchio (B, Figura 17).
- Rimuovere il pre-filtro (C, Figura 17), se presente, dal filtro (D).
- Per togliere i detriti, battere delicatamente il filtro (D, Figura 17) su una superficie dura. Se il filtro è troppo sporco, sostituirlo con uno nuovo.
- Rimuovere il pre-filtro (C, Figura 17), se presente, dal filtro (D).
- Lavare il pre-filtro (C, Figura 17), se presente, con detergente liquido e acqua. Farlo asciugare completamente. **Non** ungere il prefiltro.
- Montare il pre-filtro asciutto (C, Figura 17), se presente, sul filtro (D).
- Installare il filtro (D, Figura 17) e il pre-filtro (C), se presente, sulla base (E) e sul perno (F). Accertarsi che il filtro sia inserito saldamente nella base.
- Installare il coperchio del filtro dell'aria (B, Figura 17) e fissarlo con i fissanti (A). Assicurarsi che i fissanti siano stretti.

## Smontaggio del sistema di alimentazione

Vedere Figura: 18, 19



**AVVERTENZA**

**Il carburante e i suoi vapori sono estremamente infiammabili ed esplosivi.**

**Un incendio oppure un'esplosione possono provocare gravi ustioni o morte.**

- Tenere il carburante lontano da scintille, fiamme libere, fiamme pilota e altre fonti di ignizione.
- Controllare spesso linee del carburante, serbatoio, tappo e accessori per eventuali lesioni o perdite. Sostituire se necessario.
- Prima di pulire o sostituire il filtro del carburante, scaricare il serbatoio o chiudere la valvola di intercettazione del carburante.
- Se il carburante si versa, attendere che sia evaporato prima di avviare il motore.
- I ricambi devono essere uguali e installati nella stessa posizione dei componenti originali.

### Filtro del carburante, se previsto

- Prima di pulire o sostituire il filtro del carburante (A, Figura 18), scaricare il serbatoio o chiudere la valvola di intercettazione del carburante. In caso contrario, il carburante potrebbe fuoriuscire e causare incendi o esplosioni.
- Utilizzare delle pinze per stringere le alette (B, Figura 18) sulle fascette (C), quindi far scorrere le fascette lontano dal filtro del carburante (A). Ruotare e sfilare i tubi del carburante (D) dal filtro del carburante.
- Controllare che il sistema di alimentazione (D, Figura 18) non presenti crepe o perdite. Sostituire se necessario.
- Sostituire il filtro del carburante (A, Figura 18) con un filtro di ricambio originale.
- Fissare i tubi del carburante (D, Figura 18) con le fascette (C) come illustrato.

### Filtro del carburante, se previsto

- Togliere il tappo del carburante (A, Figura 19).
- Togliere il filtro del carburante (B, Figura 19).
- Se il filtro del carburante è sporco, pulirlo o sostituirlo. Se si sostituisce il filtro del carburante, assicurarsi di usare un pezzo di ricambio originale.

## Smontaggio del sistema di raffreddamento



**AVVERTENZA**

**I motori accesi generano calore** Alcune parti del motore, specialmente la marmitta, diventano estremamente calde.

**In caso di contatto sussiste il rischio di gravi ustioni.**

**I detriti infiammabili, ad esempio foglie, erba, paglia, ecc. possono incendiarsi.**

- Prima di toccare, lasciare che marmitta, cilindro del motore e alette si raffreddino.
- Rimuovere i detriti accumulati dalla zona di marmitta e cilindro.

**NOTA** Non utilizzare acqua per pulire il motore. L'acqua potrebbe contaminare il sistema di carburante. Utilizzare un pennello o un panno asciutto per pulire il motore.

Questo motore è raffreddato ad aria. La presenza di detriti può restringere il flusso dell'aria e causare il surriscaldamento del motore, e ridurre le prestazioni e la durata del motore.

- Utilizzando una spazzola o un panno asciutto, rimuovere i detriti dalla griglia di aspirazione dell'aria.
- Tenere sempre puliti la tiranteria, le molle ed i comandi
- Tenere pulita anche l'area vicino alla marmitta da materiali infiammabili
- Accertarsi che le alette del radiatore dell'olio siano prive di sporcizia e detriti.

Nel tempo, è possibile che si accumulino dei detriti nelle alette di raffreddamento del cilindro e causano il surriscaldamento del motore. Questi detriti possono essere osservati senza smontare parzialmente il motore. Per l'ispezione e la pulizia del sistema di raffreddamento ad aria, contattare un Centro di assistenza autorizzato Briggs & Stratton conformemente alle raccomandazioni della **Tabella di manutenzione**.

## Rimessaggio



**AVVERTENZA**

**Il carburante e i suoi vapori sono estremamente infiammabili ed esplosivi.**

**Incendi ed esplosioni possono provocare gravi ustioni o morte.**

### Immagazzinaggio del dispositivo con il combustibile nel serbatoio

- Conservare lontano da forni, stufe, caldaie o altri dispositivi con fiamme pilota o altre fonti di accensione in grado di infiammare i vapori del carburante.

### Impianto carburante

Vedere Figura: 20

Mettere in rimessaggio il motore a livello (posizione operativa normale). Riempimento del serbatoio del carburante (A, Figura 20) con carburante. Per consentire l'espansione del carburante, non riempire oltre la base del collo del serbatoio (B).

Se conservato per oltre 30 giorni, il carburante può scadere. La benzina vecchia causa la formazione di acido e depositi gommosi nell'impianto carburante o in componenti essenziali del carburatore. Per mantenere il carburante fresco usare **Stabilizzatore per carburante Advanced Formula Fuel Treatment & Stabilizer Briggs & Stratton**, disponibile nei punti vendita di ricambi originali Briggs & Stratton.

Non è necessario scaricare il carburante dal motore se viene aggiunto uno stabilizzante secondo le istruzioni. Prima del rimessaggio, far girare il motore per due (2) minuti per far circolare lo stabilizzante in tutto l'impianto carburante.

Se la benzina contenuta nel motore non è stata trattata con uno stabilizzante, deve essere scaricata in un contenitore approvato. Far funzionare il motore finché non si arresta per mancanza di carburante. Si consiglia l'uso di uno stabilizzante nel contenitore per mantenere la freschezza.

### Olio motore

Con il motore ancora caldo, sostituire l'olio motore. Consultare la sezione **Cambiare l'olio motore**.

## Individuazione e correzione dei problemi

Per assistenza, contattare il rivenditore locale o visitare [BRIGGSandSTRATTON.com](http://BRIGGSandSTRATTON.com) o chiamare **1-800-233-3723** (negli USA).

# Specifiche

Modello: 120000	
Cilindrata	12.48 ci (205 cc)
Alesaggio	2.688 in (65,28 mm)
Corsa	2.200 in (55,88 mm)
Capacità olio	18 - 20 oz (,54 - ,59 L)
Tipo olio riduttore	80W-90
Capacità olio riduttore	4 oz (0,12 L)
Distanza elettrodo candele	.030 in (,76 mm)
Coppia di serraggio candela	180 lb-in (20 Nm)
Intraferro indotto	.010 - .014 in (,25 - ,36 mm)
Gioco punteria valvola di aspirazione	.004 - .006 in (,10 - ,15 mm)
Gioco punteria valvola di scarico	.009 - .011 in (,23 - ,28 mm)

Modello: 150000	
Cilindrata	15.24 ci (250 cc)
Alesaggio	2.970 in (75,44 mm)
Corsa	2.200 in (55,88 mm)
Capacità olio	18 - 20 oz (,54 - ,59 L)
Tipo olio riduttore	80W-90
Capacità olio riduttore	4 oz (0,12 L)
Distanza elettrodo candele	.030 in (,76 mm)
Coppia di serraggio candela	180 lb-in (20 Nm)
Intraferro indotto	.010 - .014 in (,25 - ,36 mm)
Gioco punteria valvola di aspirazione	.004 - .006 in (,10 - ,15 mm)
Gioco punteria valvola di scarico	.009 - .011 in (,23 - ,28 mm)

Modello: 200000	
Cilindrata	15.63 ci (305 cc)
Alesaggio	3.120 in (79,24 mm)
Corsa	2.438 in (61,93 mm)
Capacità olio	26 - 28 oz (,77 - ,83 L)
Tipo olio riduttore	SAE 30
Capacità olio riduttore	12 oz (,35 L)
Distanza elettrodo candele	.030 in (,76 mm)
Coppia di serraggio candela	180 lb-in (20 Nm)
Intraferro indotto	.008 - .012 in (,20 - ,30 mm)
Gioco punteria valvola di aspirazione	.004 - .006 in (,10 - ,15 mm)
Gioco punteria valvola di scarico	.004 - .006 in (,10 - ,15 mm)

Modello: 210000	
Cilindrata	20.85 ci (342 cc)
Alesaggio	3.300 in (83,81 mm)
Corsa	2.438 in (61,93 mm)
Capacità olio	26 - 28 oz (,77 - ,83 L)
Tipo olio riduttore	SAE 30
Capacità olio riduttore	12 oz (,35 L)
Distanza elettrodo candele	.030 in (,76 mm)
Coppia di serraggio candela	180 lb-in (20 Nm)
Intraferro indotto	.008 - .012 in (,20 - ,30 mm)
Gioco punteria valvola di aspirazione	.004 - .006 in (,10 - ,15 mm)
Gioco punteria valvola di scarico	.004 - .006 in (,10 - ,15 mm)

La potenza del motore diminuisce del 3,5% ogni 300 metri (1.000 piedi) sul livello del mare e dell'1% ogni 5,6 °C (10 °F) al di sopra di 25 °C (77 °F). Il motore funzionerà in modo

soddisfacente ad un'angolazione massima di 15°. Fare riferimento al Manuale dell'operatore dell'attrezzatura per i limiti di funzionamento in sicurezza sui tratti in pendenza.

Pezzi di ricambio - Modello: 120000, 150000, 200000, 210000	
Ricambio	Codice
Filtro aria piano	491588, 5043
Pre-filtro filtro dell'aria piatto	493537, 5064
Filtro dell'aria ovale (Modelli 120000, 150000)	697029, 5059
Pre-filtro filtro dell'aria ovale (Modelli 120000, 150000)	273356
Filtro dell'aria ovale (Modelli 200000, 210000)	695302
Pre-filtro filtro dell'aria ovale (Modelli 200000, 210000)	695303
Filtro del carburante	694485
Stabilizzatore per carburante Advanced Formula Fuel Treatment & Stabilizer	100117, 100120
Candela con resistore	491055
Candela al platino di lunga durata	5066
Chiave per candele	89838, 5023
Tester di scintilla	19368

Si consiglia di contattare un rivenditore autorizzato Briggs & Stratton per tutte le operazioni di assistenza e manutenzione del motore e dei relativi componenti.

**Potenza nominale:** La potenza nominale lorda per i singoli modelli di motore a benzina è etichettata in conformità con lo standard Small Engine Power & Torque Rating Procedure codice J1940 di SAE (Society of Automotive Engineers) ed è classificata conformemente a SAE J1995. I valori di coppia sono calcolati a 2600 RPM per i motori con la dicitura "rpm" in etichetta e a 3060 RPM per tutti gli altri motori; i valori di potenza in cavalli sono calcolati a 3600 RPM. Le curve di potenza lorda possono essere visualizzate sul sito [www.BRIGGSandSTRATTON.COM](http://www.BRIGGSandSTRATTON.COM). I valori di potenza netti sono ricavati con marmitta e filtro dell'aria installati mentre i valori di potenza lordi sono ricavati senza questi accessori. La potenza lorda reale del motore sarà superiore a quella netta ed è influenzata, fra altri fattori, da condizioni operative ambientali e variabilità da motore a motore. Data la vasta gamma di prodotti su cui sono installati i motori, il motore a benzina potrebbe non sviluppare la potenza lorda nominale quando usato su una data apparecchiatura. La differenza è dovuta a diversi fattori compreso, ma non esclusivamente, a varietà dei componenti del motore (filtro dell'aria, marmitta, carica, raffreddamento, carburatore, pompa del carburante, ecc.), restrizioni applicative, condizioni operative ambientali (temperatura, umidità, altitudine) e variabilità da motore a motore. A causa di limitazioni alla produzione e di capacità, Briggs & Stratton potrà sostituire questo motore di serie con un motore di potenza nominale superiore.

## Garanzia

### Garanzia per il motore Briggs & Stratton

Valida a partire da gennaio 2017

#### Garanzia limitata

Briggs & Stratton garantisce che, durante il periodo di garanzia specificato di seguito, provvederà alla riparazione o alla sostituzione gratuita di parti che presentino difetti di materiale o di lavorazione o entrambi. Le spese di trasporto del prodotto di cui si richiede la sostituzione o riparazione in garanzia sono a carico dell'acquirente. La presente garanzia risulta valida per il periodo di tempo indicato nel presente documento ed è soggetta alle condizioni indicate di seguito. Per l'assistenza in garanzia, trovare il più vicino Centro di Assistenza Autorizzato nel nostro localizzatore dei rivenditori all'indirizzo [BRIGGSandSTRATTON.COM](http://BRIGGSandSTRATTON.COM). L'acquirente dovrà contattare il Centro di assistenza autorizzato e mettere a disposizione di quest'ultimo il prodotto per l'ispezione e la verifica.

**Non vi è alcun'altra garanzia esplicita. Le garanzie implicite, comprese quelle di commerciabilità e idoneità ad uno scopo particolare, sono limitate al periodo di garanzia indicato di seguito o a quanto consentito dalla legge.** La responsabilità per danni incidentali o consequenziali è esclusa nella misura prevista dalla legge. Alcuni Stati o Paesi non permettono limitazioni al periodo di validità di una garanzia implicita e alcuni stati o paesi non permettono l'esclusione o la limitazione della responsabilità per danni incidentali o indiretti, per cui le limitazioni sopra riportate potrebbero non applicarsi al vostro caso. La presente garanzia concede all'utente specifici diritti legali e lo stesso potrebbe avere altri diritti che variano da stato a stato o da Paese a Paese <sup>4</sup>.

#### Termini standard di garanzia 1, 2, 3

Marca / Tipo di prodotto	Uso privato	Utente commerciale
Vanguard™; Serie commerciale	36 mesi	36 mesi

## Termini standard di garanzia 1, 2, 3

Motori con manicotti in ghisa Dura-Boret™	24 mesi	12 mesi
Tutti gli altri motori	24 mesi	3 mesi

<sup>1</sup>I presenti costituiscono i termini standard di garanzia, ma occasionalmente può essere prevista un'ulteriore copertura della garanzia, non determinata al momento della pubblicazione. Per un elenco completo dei termini di garanzia attuali applicati al proprio motore, visitare il sito Web BRIGGSandSTRATTON.com, oppure contattare il centro di assistenza autorizzato Briggs & Stratton.

<sup>2</sup>La garanzia non è applicabile ai motori o ai dispositivi utilizzati per fornire potenza e non come accessorio o ai generatori di standby usati a fini commerciali. I motori utilizzati per corse sportive o su veicoli commerciali o per noleggio non sono coperti dalla garanzia.

<sup>3</sup>Vanguard installato sui generatori in standby: 24 mesi per uso privato, nessuna garanzia per uso commerciale. Vanguard installato su veicoli utilitari: 24 mesi per uso privato, 24 mesi per uso commerciale. Serie commerciale con data di produzione precedente a luglio 2017, 24 mesi per uso privato, 24 mesi per uso commerciale.

<sup>4</sup>In Australia - I nostri prodotti hanno garanzie che non possono essere escluse ai sensi della Australian Consumer Law. L'utente ha diritto alla sostituzione o al rimborso in caso di guasto grave e a un indennizzo per ogni altra perdita o danno ragionevolmente prevedibile. L'utente ha pertanto diritto alla riparazione o alla sostituzione della merce qualora questa non sia di qualità accettabile e il guasto non sia equiparabile a un guasto grave. Per l'assistenza in garanzia, trovare il centro di assistenza autorizzato più vicino usando il nostro strumento di ricerca concessionari sul sito web BRIGGSandSTRATTON.com, chiamando il numero 1300 274 447, inviando una e-mail a salesenquiries@briggsandstratton.com.au o scrivendo a Briggs & Stratton Australia Pty Ltd, 1 Moorebank Avenue, Moorebank, NSW, Australia, 2170.

Il periodo di garanzia decorre dalla data di acquisto originale del primo acquirente, sia esso un utente consumatore o professionale. Per "uso privato" si intende l'utilizzo effettuato da un acquirente al dettaglio presso la propria residenza. Per "uso commerciale" si intendono tutti gli altri usi, compresi gli usi commerciali, che generano reddito o il noleggio. Dopo che un motore è stato utilizzato ad uso professionale, sarà sempre classificato come motore per uso professionale ai fini di questa polizza di garanzia.

**Conservare lo scontrino di ricevuta dell'acquisto. Qualora l'acquirente non sia in grado di fornire la prova della data dell'acquisto iniziale nel momento della richiesta di assistenza, il periodo di garanzia verrà determinato utilizzando la data di produzione. Ai fini dell'applicazione della garanzia, non è necessaria la registrazione del prodotto Briggs & Stratton.**

### Informazioni sulla garanzia

La presente garanzia copre esclusivamente i difetti del motore dovuti a difetti di materiale e/o lavorazione e non la sostituzione o il rimborso dell'attrezzatura sulla quale il motore può essere installato. La presente garanzia non copre la manutenzione di routine, le regolazioni, le correzioni o la normale usura. Inoltre, la presente garanzia non si applica in caso di alterazioni o modifiche del motore o in caso di rimozione o manomissione del numero di serie. La presente garanzia non copre danni al motore o problemi di performance causati da:

1. L'uso di pezzi non originali Briggs & Stratton;
2. Azionamento del motore con un olio lubrificante insufficiente, impuro o di grado scorretto;
3. L'uso di carburante impuro o vecchio, benzine formulate con un contenuto di etanolo superiore al 10% o l'uso di carburanti alternativi, come GPL o gas naturale su motori che non erano originariamente progettati/fabbricati da Briggs & Stratton per lavorare con simili carburanti;
4. Sporczia penetrata all'interno del motore a causa di manutenzione e rimontaggio non corretti del filtro dell'aria;
5. L'urto contro un oggetto solido da parte della lama di taglio di una falciatrice rotativa, adattatori delle lame, giranti o altri dispositivi accoppiati all'albero motore allentati o installati scorrettamente oppure a causa di un'eccessiva tensione della cinghia trapezoidale;
6. Parti combinate o gruppi quali frizioni, trasmissioni, attrezzature di controllo, ecc., non forniti da Briggs & Stratton;
7. Surriscaldamento causato da residui d'erba, sporczia e detriti o nidi di roditori che tappano o intasano le alette di raffreddamento o l'area del volano o dall'azionamento del motore senza ventilazione sufficiente;
8. Vibrazioni eccessive causate da velocità eccessiva, montaggio del motore allentato, lame di taglio o giranti allentate o sbilanciate o accoppiamento improprio dei componenti dell'attrezzatura sull'albero motore;
9. Uso improprio, assenza di manutenzione di routine, spedizione, manipolazione o magazzino dell'attrezzatura o installazione scorretta del motore.

**L'assistenza in garanzia è disponibile esclusivamente presso i rivenditori Briggs & Stratton autorizzati. Trovate il Centro di assistenza autorizzato più vicino sulla mappa all'indirizzo BRIGGSandSTRATTON.COM o chiamate il 1-800-233-3723 (negli USA).**

80004537 (Rev. C)

Deze handleiding bevat veiligheidsinformatie om u bewust te maken van de gevaren en risico's die verband houden met motoren, evenals hoe deze te voorkomen. Daarnaast leest u in deze handleiding hoe u de motor op de juiste manier gebruikt en onderhoudt. Omdat Briggs & Stratton niet noodzakelijkerwijs weet welke machine deze motor aandrijft, is het belangrijk dat u deze instructies en die van de machine die deze motor aandrijft leest en begrijpt. **Bewaar deze originele instructies voor toekomstig gebruik.**

**Opmerking:** De afbeeldingen en illustraties in deze handleiding zijn uitsluitend bedoeld als referentie en kunnen afwijken van uw eigen model. Neem bij vragen contact op met uw dealer.

Noteer ten behoeve van vervangingsonderdelen of technische ondersteuning hieronder het motormodel, het type en de codenummers, evenals de aanschafdatum. Deze nummers staan op uw motor (zie het deel **Kenmerken en bedieningsfuncties**).

Aankoopdatum	
Motormodel - Type - Uitrusting	
Serienummer motor	

Zoek de 2D-streepjescode die op sommige motoren staat. Wanneer u deze code met een voor 2D geschikt apparaat scant, wordt de website geopend waar u ondersteuningsinformatie voor dit product vindt. Daarbij kunnen er kosten voor data worden aangerekend. In sommige landen kan de online ondersteuningsinformatie niet beschikbaar zijn.



## Veiligheid van de gebruiker

### Veiligheidssymbool en signaalwoorden

Het veiligheidssymbool wordt gebruikt om veiligheidsinformatie aan te duiden over gevaren die kunnen leiden tot lichamelijk letsel. Een signaalwoord (GEVAAR, WAARSCHUWING of VOORZICHTIG) wordt samen met het veiligheidssymbool gebruikt om te wijzen op de waarschijnlijkheid en de mogelijke ernst van het letsel. Ook kan een gevarensymbool worden gebruikt om het soort gevaar aan te duiden.

**GEVAAR** duidt op een gevaar dat, indien het niet wordt voorkomen, zal resulteren in de dood of ernstig letsel.

**WAARSCHUWING** duidt op een gevaar dat, indien het niet wordt voorkomen, kan resulteren in de dood of ernstig letsel.

**VOORZICHTIG** duidt op een gevaar dat, indien het niet wordt voorkomen, kan resulteren in licht of matig letsel.

**OPGEPAST** duidt op een situatie die kan resulteren in schade aan het product.

### Gevarensymbolen en hun betekenis

Symbool	Betekenis	Symbool	Betekenis
	Veiligheidsinformatie over gevaren die kunnen leiden tot letsel.		Zorg dat u de gebruiksaanwijzing hebt gelezen en begrepen voordat u de eenheid bedient of onderhoud aan de eenheid uitvoert.
	Brandgevaar		Explosiegevaar.
	Brandgevaar		Gevaar voor giftige dampen

Symbool	Betekenis	Symbool	Betekenis
	Gevaar voor hete oppervlakken		Gevaar voor geluid - Oorbescherming aanbevolen bij langdurige blootstelling.
	Gevaar voor weggeworpen onderwerpen - Draag oogbescherming.		Explosiegevaar.
	Gevaar voor bevriezing		Gevaar voor terugslag
	Gevaar voor amputatie - bewegende onderdelen		Gevaar voor chemicaliën
	Gevaar voor thermische warmte		Corrosief

## Veiligheidsmededelingen



### WAARSCHUWING

Bepaalde onderdelen van dit product en de bijbehorende accessoires bevatten chemische stoffen waarvan bekend is in de staat Californië dat ze kanker, geboortefwijkingen en andere voortplantingsrisico's veroorzaken. Was uw handen na werken met de accu.



### WAARSCHUWING

De motoruitlaatgassen van dit toestel bevatten chemische stoffen waarvan bekend is in de staat Californië dat ze kanker of geboortefwijkingen veroorzaken of andere voortplantingsrisico's inhouden.



### WAARSCHUWING

De motoren van Briggs & Stratton zijn niet bedoeld voor en mogen niet worden gebruikt met: funkarts, go-karts, kinder-, vrijetijds- of terreinvoertuigen (ATV's), motorfietsen, hovercrafts, luchtvaartproducten of voertuigen die worden gebruikt bij wedstrijden die niet zijn goedgekeurd door Briggs & Stratton. Ga voor meer informatie over producten voor racewedstrijden naar [www.briggsracing.com](http://www.briggsracing.com). Neem bij gebruik met voertuigen voor openbare voorzieningen en buggy's contact op met Briggs & Stratton Engine Application Center, 1-866-927-3349. Verkeerd gebruik van motoren kan leiden tot ernstig of zelfs fataal letsel.



### WAARSCHUWING



**Brandstof en brandstofdampen zijn uiterst ontvlambaar en explosief.**

**Brand of explosie kan ernstige brandwonden of dodelijk letsel veroorzaken.**

#### Bij het toevoegen van brandstof

- Schakel de motor uit en laat de motor ten minste gedurende 2 minuten afkoelen voordat u de benzinedop verwijdert.
- Vul de brandstoftank buiten of in een goed geventileerde ruimte.
- Vul de brandstoftank niet te veel. Vul de brandstoftank niet tot boven de onderkant van de nek zodat de brandstof kan uitzetten.
- Houd de brandstof uit de buurt van vonken, open vlammen, waakvlammen, hitte en andere ontstekingsbronnen.
- Controleer brandstofleidingen, tank, vuldop en koppelingen regelmatig op barsten of lekken. Vervang deze, indien noodzakelijk.
- Indien brandstof wordt gemorst, dient u te wachten tot deze verdampt is voordat u de motor start.

#### Bij het starten van motor



- Zorg dat de bougie, de geluiddemper, de benzinedop en het luchtfilter (indien aanwezig) aanwezig zijn en goed vastzitten.
- Probeer de motor niet te starten als de bougie verwijderd is.
- Als de motor verzuipt, zet de choke (indien aanwezig) in de stand OPEN/DRAAIEN, zet de gashendel (indien aanwezig) in de stand SNEL en start de motor totdat deze aanslaat.

#### Tijdens het bedienen van de machine

- De motor of machine NIET kantelen tot een hoek die veroorzaakt dat brandstof gemorst wordt.
- Choke de carburateur niet om de motor te stoppen.
- Start of laat de motor niet draaien als de lucht filtereenheid (indien aanwezig) of het luchtfilter (indien aanwezig) is verwijderd.

#### Olie verversen

- Als u de olie aftapt uit de olievul buis boven, dan moet de brandstoftank leeg zijn, anders kan er brandstof uitlekken wat kan leiden tot brand en explosie.

#### Wanneer de unit gekanteld wordt voor onderhoud

- Wanneer er onderhoud wordt uitgevoerd waarvoor de eenheid moet worden gekanteld, dient de brandstoftank leeg te zijn. Anders kan er brandstof uit lekken, wat kan leiden tot brand en explosie.

#### Transporteren van de machine

- Vervoeren met brandstoftank LEEG of met brandstofafsluitklep in de GESLOTEN stand.

#### Bij het opslaan van brandstof of machines met brandstof in de tank

- Opslaan uit de buurt van fornuizen, kachels, geisers of boilers of andere apparaten die een waakvlam bevatten of andere ontstekingsbronnen, omdat deze brandstofdampen kunnen doen ontbranden.



**WAARSCHUWING**

**Starten van motor gaat gepaard met vonkvorming.**

**Vonkvorming kan ontvlambare gasen in de buurt doen ontsteken.**

**Dit kan leiden tot een explosie of brand.**

- Indien zich aardgas of LPG lekkage in de buurt bevindt, de motor niet starten.
- Gebruik geen onder druk staande startvloeistoffen omdat de dampen brandbaar zijn.



**WAARSCHUWING**

**GEVAAR VAN GIFTIG GAS. Motoruitlaatgassen bevatten koolmonoxide, een giftig gas dat u binnen enkele minuten kan doden. U kunt het NIET zien, ruiken of proeven. Ook al ruikt u de uitlaatgassen niet, u kunt toch zijn blootgesteld aan koolmonoxide. Als u zich tijdens het gebruik van dit apparaat misselijk, duizelig of zwak begint te voelen, schakel het dan uit, en ga METEEN de frisse lucht in. Raadpleeg een arts. Het kan zijn dat u koolmonoxidevergiftiging heeft.**

- Gebruik dit product ALLEEN buiten en ver weg van ramen, deuren en ventilatieopeningen om te voorkomen dat koolmonoxidegas zich kan verzamelen en in deze bewoonde ruimten terecht kan komen.
- Plaats koolmonoxidemelders op batterijen of melders op netvoeding met reservebatterij volgens de instructies van de fabrikant. Rookmelders kunnen geen koolmonoxide detecteren.
- Gebruik dit product NIET in huizen, garages, kelders, kruipruimten, schuurtjes of andere gedeeltelijk afgesloten ruimten, ook niet met gebruik van ventilatoren of met geopende deuren en of ramen als ventilatie. In deze ruimten kan snel koolmonoxide worden gevormd en dit kan uren blijven hangen, zelfs als het product al is uitgeschakeld.
- Plaats dit product ALTIJD met de wind mee en richt de motoruitlaat altijd van gebruikte ruimtes weg.



**WAARSCHUWING**

**Wanneer het startkoord zich snel terugtrekt (terugslag), worden uw hand en arm sneller naar de motor getrokken dan u kunt loslaten.**

**Gebroken botten, kneuzingen of verstuikingen kunnen het resultaat zijn.**



**WAARSCHUWING**

**Handen, voeten, haren, kleding of accessoires kunnen tegen ronddraaiende onderdelen aan komen of er tussen beklemd raken.**

**Traumatische amputatie of ernstige verscheuring kan het resultaat zijn.**

- De machine gebruiken met afschermingen op hun plaats.
- Houd handen en voeten weg van draaiende onderdelen.
- Bind lang haar bij elkaar en doe uw sieraden af.
- Draag geen loszittende kleding, hangende koorden of zaken die verstrikt kunnen raken.



**WAARSCHUWING**

**Draaiende motoren produceren warmte. Motoronderdelen, vooral geluiddempers, worden uiterst heet.**

**Dit kan, bij aanraking, leiden tot ernstige brandwonden.**

**Brandbare resten, zoals bladeren, gras, snoeihout enz. kunnen vlam vatten.**

- Laat de geluiddemper, motorcilinder en vinnen afkoelen voor u ze aanraakt.
- Verwijder opgehoopt vuil uit de gebieden rondom de geluiddemper en de cilinder.
- Overeenkomstig de California Public Resource Code Section 4442 is het verboden de motor te gebruiken in de buurt van een bos-, kreupelhout- of grasgebied tenzij het uitlaatsysteem is uitgerust met een vonkenvanger, zoals gedefinieerd in Section 4442, die in goede staat wordt gehouden. Andere staten en federale jurisdicties kunnen soortgelijke wetgeving hebben. Neem contact op met de fabrikant, verkoper of dealer om een vonkenvanger te verkrijgen die geschikt is voor het op deze motor gemonteerde uitlaatsysteem.



**WAARSCHUWING**

**Onbedoelde vonken kunnen resulteren in brand of een elektrische schok.**

**Ongewild starten kan leiden tot beknelling, traumatische amputatie of scheurwonden.**

**Brandgevaar**

#### Vóór het uitvoeren van instellingen of reparaties:

- Maak de bougie kabel los en houd de kabel op veilige afstand van de ontstekingsbougie.
- Koppel de minkabel van de accu los (alleen bij maaiers met elektrisch starten).
- Gebruik alleen correct gereedschap.
- Verander niets aan de reguleur, koppelingen of andere onderdelen om het motortoerental te verhogen.
- Vervangende onderdelen moeten identiek zijn aan en op dezelfde positie worden geïnstalleerd als de originele onderdelen. Andere onderdelen zullen minder goed werken, kunnen de maaier beschadigen en kunnen letsel veroorzaken.
- Sla niet met een hamer of hard voorwerp tegen het vliegwiel omdat het vliegwiel anders later uit elkaar kan vliegen tijdens gebruik.

#### Bij het testen op vonkvorming:

- Gebruik een goedgekeurde bougie tester.
- Controleer niet op vonkvorming wanneer de bougie verwijderd is.

# Kenmerken en bedieningselementen

## Bedieningselementen van de motor

Vergelijk de illustratie (Afbeelding: 1, 2, 3) met uw motor om uzelf vertrouwd te maken met de plaats van de diverse functies en bedieningselementen.

- A. Motoridentificatienummers **Model - Type - Code**
- B. Bougie
- C. Luchtfilter (vlak of ovaal)
- D. Choke
- E. Brandstofkraan (indien aanwezig)
- F. Startkoordgreep
- G. Luchtinlaatrooster
- H. Gashendel (indien aanwezig)
- I. Stopschakelaar (indien aanwezig)
- J. Brandstoftank en -dop
- K. Verlengde peilstok (indien aanwezig)
- L. Korte peilstok (indien aanwezig)
- M. Olieaftapplug
- N. Olievulopening
- O. Demper, demperbescherming (indien aanwezig), vonkenvangervang (indien aanwezig)
- P. Veiligheidsleutel (modellen met elektrische starter)
- Q. AAN/UIT-schakelaar (modellen met elektrische starter)
- R. Tandwielreductie-unit (indien aanwezig)
- S. Sleutelschakelaar (modellen met elektrische starter)

## Machinebedieningssymbolen en hun betekenis

Symbool	Betekenis	Symbool	Betekenis
	Motortoerental - SNEL		Motortoerental - LANGZAAM
	Motortoerental - STOP		AAN - UIT
	Motor starten - choke GESLOTEN		Motor starten - choke OPEN
	Brandstofvuldop Brandstofkraan - OPEN		Brandstofkraan - GESLOTEN
	Brandstofniveau - Maximum Voeg niet te veel brandstof toe		

## Bediening

### Aanbevolen olie

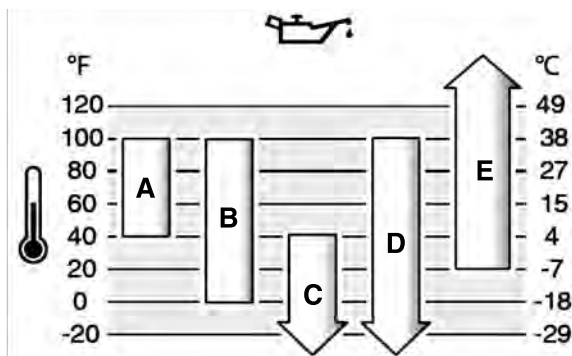
Oliecapaciteit: Bekijk de *Specificaties*.

### OPGEPAST

Deze motor werd door Briggs & Stratton zonder olie op transport gezet. Machinefabrikanten of dealers hebben mogelijk olie aan de motor toegevoegd. Voordat u de motor voor de eerste keer start, moet u het olieniveau controleren en de motor met olie vullen volgens de instructies in deze handleiding. Als u de motor zonder olie start, zal deze onherstelbaar worden beschadigd. Dit valt niet onder de garantie.

Voor de beste prestaties raden wij het gebruik van Briggs & Stratton Warranty Certified oliesoorten aan. U kunt ook andere hoogwaardige soorten reinigingsolie gebruiken, als deze geschikt zijn voor SF, SG, SH, SJ of hoger. Gebruik geen speciale additieven.

De buitentemperaturen bepalen de juiste olie viscositeit voor de motor. Bepaal met behulp van de tabel de beste viscositeit voor het verwachte buitentemperatuurbereik. Motoren op tuinmachines opereren goed met 5W-30 Synthetische olie. Voor apparatuur die wordt gebruikt onder hoge temperaturen biedt Vanguard™ 15W-50 Synthetische olie de beste bescherming.



A	SAE 30 - Onder 4°C (40°F) zal het gebruik van SAE 30 leiden tot problemen bij het starten.
B	10W-30 - Boven 27°C (80°F) kan het gebruik van 10W-30 leiden tot een hoger oliegebruik. Controleer het oliepeil vaker.
C	5W-30
D	Synthetisch 5W-30
E	Vanguard™ Synthetisch 15W-50

## Oliepeil controleren

Zie Afbeelding: 4, 5

### Voordat de olie bijgevoerd of gecontroleerd wordt

- Zorg ervoor dat de motor waterpas staat.
- Verwijder eventueel vuil uit het oliepeilgebied.

### Olievuldop, indien aanwezig

1. Verwijder de olieafdop (A, Afb. 4).
2. Als het oliepeil laag is, voeg dan langzaam olie toe via de olieafdop (B, Afbeelding 4). Vul zover bij totdat olie bijna naar buiten stroomt.
3. Plaats de olieafdop (A, Afbeelding 4) terug en zet deze vast.

### Korte peilstok, indien aanwezig

1. Verwijder de peilstok (C, Afbeelding 4) en veeg deze met een schone doek af.
2. Plaats de peilstok (C, Afbeelding 4). **Niet draaien of vastzetten.**
3. Verwijder de peilstok en controleer het oliepeil. Het oliepeil is juist als het bovenaan bij de indicator voor vol (D, Afbeelding 4) op de peilstok staat.
4. Als het oliepeil laag is, voeg dan langzaam olie toe via de olieafdop (B, Afbeelding 4). Vul zover bij totdat olie bijna naar buiten stroomt.
5. Plaats de peilstok (C, Afbeelding 4) terug en zet deze vast.

### Verlengde peilstok, indien aanwezig

1. Verwijder de peilstok (A, Afbeelding 5) en veeg deze met een schone doek af.
2. Plaats de peilstok en zet die vast (A, Afbeelding 5).
3. Verwijder de peilstok en controleer het oliepeil. Het oliepeil is juist als het bovenaan bij de indicator voor vol (B, Afbeelding 5) op de peilstok staat.

- Als het oliepeil laag is, voeg dan langzaam olie toe via de olievlopening (C, Afbeelding 5). **Voeg niet te veel brandstof toe.** Wacht na het bijvullen één minuut en controleer het oliepeil dan nogmaals.
- Plaats de peilstok (A, Afbeelding 5) terug en draai deze vast.

## Oliepeilcontrolesysteem (indien aanwezig)

Sommige motoren zijn voorzien van een oliepeilsensor. Als het oliepeil laag is, activeert de motor een waarschuwingslampje of wordt de motor uitgeschakeld. Schakel de motor uit en voer deze stappen uit voordat u de motor weer start.

- Zorg ervoor dat de motor waterpas staat.
- Controleer het oliepeil. Zie het deel **Oliepeil controleren**.
- Als het oliepeil laag is, moet u de juiste hoeveelheid olie toevoegen. Start de motor en controleer of het waarschuwingslampje (indien aanwezig) niet is geactiveerd.
- Als het oliepeil niet laag is, start de motor niet. Raadpleeg een erkende Briggs & Stratton-dealer voor instructies over de afstelling voor grote hoogtes.

## Aanbevolen brandstof

De brandstof moet aan deze eisen voldoen:

- Schone, verse, loodvrije benzine.
- Minimaal 87 octaan/87 AKI (91 RON). Zie hieronder voor gebruik op grote hoogte.
- Benzine met tot 10% ethanol (gasahol) is toegestaan.

**OPGEPAST** Gebruik geen benzine die niet is goedgekeurd zoals E15 en E85. Meng geen olie in de benzine en pas de motor niet aan voor alternatieve brandstoffen. Het gebruik van niet-goedgekeurde brandstoffen zal schade veroorzaken aan onderdelen van de motor. Dit wordt niet gedekt door de garantie.

Voeg een brandstofstabilisator aan de brandstof toe om het brandstofsysteem tegen gomvorming te beschermen. Zie **Opslag**. Niet alle brandstoffen zijn gelijk. Verander bij start- of prestatieproblemen van tankstation of merk. Deze motor is gecertificeerd om op benzine te lopen. Het emissieregelsysteem voor deze motor is EM (Engine Modifications).

### Grote hoogte

Op hoogtes van meer dan 1.524 meter (5.000 voet) is benzine met minimaal 85 octaan/85 AKI (89 RON) toegestaan.

Motoren met carburateur moeten worden afgesteld om hun prestaties te behouden. Gebruik zonder deze afstelling veroorzaakt slechtere prestaties, een hoger brandstofverbruik en toegenomen emissies. Raadpleeg een erkende Briggs & Stratton-dealer voor instructies over de afstelling voor grote hoogtes. Het gebruik van de motor op hoogtes van minder dan 762 meter met de set voor grote hoogtes wordt niet aanbevolen.

Motoren met elektronische brandstofinjectie (EFI) hoeven niet voor grote hoogtes te worden afgesteld.

## Brandstof bijvullen

Zie Afbeelding 6



**WAARSCHUWING**

**Brandstof en brandstofdampen zijn uiterst brandbaar en explosief.**

**Brand of explosie kan ernstige brandwonden of de dood veroorzaken.**

### Bij het bijvullen van brandstof

- Schakel de motor uit en laat de motor ten minste gedurende 2 minuten afkoelen voordat u de benzinedop verwijdert.
  - Vul de brandstoftank buiten of in een goed geventileerde ruimte.
  - Vul de brandstoftank niet te veel. Vul de brandstoftank niet tot boven de onderkant van de hals, zodat de brandstof kan uitzetten
  - Houd de brandstof uit de buurt van vonken, open vlammen, waakvlammen, hitte en andere ontstekingsbronnen.
  - Controleer brandstofleidingen, tank, vuldop en koppelingen regelmatig op barsten of lekken. Vervang deze, indien noodzakelijk
  - Indien brandstof wordt gemorst, dient u te wachten tot deze verdampt is voordat u de motor start.
- Reinig het gebied rond de tankdop. Verwijder de tankdop.
  - Vul de brandstoftank (A, Afbeelding 6) met brandstof. Vul de brandstoftank niet tot boven de onderkant van de nek zodat de brandstof kan uitzetten.
  - Draai de tankdop weer vast.

## De motor starten en stoppen

Zie Afbeelding: 7, 8

### De motor starten



**WAARSCHUWING**



**Wanneer het startkoord zich snel terugtrekt (terugslag), worden uw hand en arm sneller naar de motor getrokken dan u kunt loslaten.**

**Gebroken botten, kneuzingen of verstuikingen kunnen het resultaat zijn.**

- Trek bij het starten van de motor het startkoord langzaam uit tot er weerstand gevoeld wordt en trek dan snel om terugslag te voorkomen.



**WAARSCHUWING**



**Brandstof en brandstofdampen zijn uiterst brandbaar en explosief.**

**Brand of explosie kunnen ernstige brandwonden of de dood veroorzaken.**

### Bij het starten van motor

- Zorg dat de bougie, de geluiddemper, de benzinedop en het luchtfilter (indien aanwezig) op hun plaats zijn en goed vastzitten.
- Probeer de motor niet te starten terwijl de bougie verwijderd is.
- Als de motor verzuipt, zet de choke (indien aanwezig) in de stand OPEN/DRAAIEN, zet de gashendel (indien aanwezig) in de stand SNEL en start de motor totdat deze aanslaat.



**WAARSCHUWING**



**GEVAAR VAN GIFTIG GAS. Motoruitlaatgassen bevatten koolmonoxide, een giftig gas dat u binnen enkele minuten doodt. U kunt het NIET zien, ruiken of proeven. Ook al ruikt u de uitlaatgassen niet, u kunt toch zijn blootgesteld aan koolmonoxide. Als u zich tijdens het gebruik van dit product misselijk, duizelig of zwak begint te voelen, schakel het product dan uit en ga ONMIDDELIJK de frisse lucht in. Raadpleeg een arts. Het kan zijn dat u koolmonoxidevergiftiging heeft.**

- Gebruik dit product ALLEEN buiten, ver uit de buurt van vensters, deuren en ventilatieopeningen om te voorkomen dat zich koolmonoxidegas verzamelt en naar gebruikte ruimten wordt gezogen.
- Plaats koolmonoxidemelders met batterijen of melders op netvoeding met reservebatterij volgens de instructies van de fabrikant. Rookmelders kunnen geen koolmonoxide detecteren.
- Gebruik dit product NIET in huizen, garages, kelders, kruipruimten, schuurtjes of andere gedeeltelijk afgesloten ruimten, ook niet met gebruik van ventilatoren of met geopende deuren en of ramen als ventilatie. In deze ruimten kan snel koolmonoxide worden gevormd en dit kan uren blijven hangen, zelfs als het product al is uitgeschakeld
- Plaats dit product ALTIJD met de wind mee en richt de motoruitlaat altijd weg van gebruikte ruimtes.

**OPGEPAST** Deze motor is door Briggs & Stratton zonder olie verzonden. Voordat u de motor start, moet u de motor met olie vullen volgens de instructies in deze handleiding. Als u de motor zonder olie start, raakt deze onherstelbaar beschadigd. Dit valt niet onder de garantie.

*Opmerking:* Sommige apparaten hebben een afstandsbediening. Kijk in de betreffende handleiding voor de locatie en de bediening van de afstandsbediening.

- Controleer de motorolie. Zie het deel **Het oliepeil controleren**.
- Zorg ervoor dat aandrijvingsbedieningen, indien aanwezig, zijn ontkoppeld.
- Zet de brandstofkraan (A, Afbeelding 7) in de stand OPEN.
- Zet de gashendel (C, Afbeelding 7) (indien aanwezig) in de stand SNEL. Bedien de motor in de stand SNEL.
- Zet de chokeregeling (B, afbeelding 7) in de stand CHOKE.

*Opmerking:* De chokefunctie is meestal niet nodig als u een warme motor opnieuw start.

- Zet de stopschakelaar (D, Afbeelding 7), indien aanwezig, in de aan-stand.
- Repeteerstarter (waar aanwezig):** Houd de startkoordgreep stevig vast (E, afbeelding 7). Trek de startkoordgreep langzaam uit tot er weerstand gevoeld wordt, en trek daarna snel.



## WAARSCHUWING

Wanneer het startkoord zich snel terugtrekt (terugslag), worden uw hand en arm sneller naar de motor getrokken dan u kunt loslaten. Gebroken botten, kneuzingen of verstuikingen kunnen het resultaat zijn. Trek bij het starten van de motor het startkoord langzaam uit tot er weerstand gevoeld wordt en trek dan snel om terugslag te voorkomen.

- Elektrisch starten, indien voorzien van veiligheidssleutel (F):** Duw de veiligheidssleutel in (F, Afbeelding 7). Druk de startschakelaar (G) kort in. Zodra de motor start, laat u de schakelaar los.
- Elektrisch starten, indien voorzien van een autostartsleutel (H):** Draai de startleutel (H, Afbeelding 8) naar de startpositie. Zodra de motor start, laat u de startschakelaar los.

**OPGEPAST** Start altijd kort (maximaal vijf seconden) om de levensduur van de startmotor te verlengen. Wacht een minuut tussen startcycli.

- Zet de chokeregeling (B, Afbeelding 7) in de draaistand terwijl de motor opwarmt.

**Opmerking:** Indien de motor na herhaalde pogingen niet start, ga dan naar **BRIGGSandSTRATTON.com** of bel uw dealer of bel **1-800-233-3723** (in de VS).

## De motor stoppen



## WAARSCHUWING



**Brandstof en brandstofdampen zijn uiterst brandbaar en explosief.**

**Brand of explosie kunnen ernstige brandwonden of de dood veroorzaken.**

- De carburateur niet choken om de motor te stoppen.
- Gashendel, indien aanwezig:** Zet de gashendel (C, Afbeelding 7) in de stand langzaam (slow) en daarna in de stand stop.  
**Stopschakelaar (indien aanwezig):** Zet de stopschakelaar (D, Afbeelding 7) in de stop-stand.  
**Veiligheidssleutel, indien aanwezig:** Haal de veiligheidssleutel (F, Afbeelding 7) eruit en bewaar deze buiten bereik van kinderen.  
**Contactschakelaar (waar aanwezig):** Draai de startleutel (H, Afbeelding 8) naar de uit-stand. Verwijder de sleutel en bewaar deze buiten bereik van kinderen.
  - Als de motor stopt, zet de brandstofkraan (A, Afbeelding 7) (waar aanwezig) in de stand 'dicht' (closed).

## Onderhoud

**OPGEPAST** Als de motor tijdens het onderhoud wordt gekanteld, moet de brandstoftank leeg zijn en moet de bougiekant omhoog wijzen. Als de benzinetank niet leeg is of als de motor een andere kant op wordt gekanteld, kan starten lastig worden omdat het luchtfilter en/of de bougie dan vervuld kan zijn door olie of benzine.



## WAARSCHUWING

Wanneer er onderhoud wordt uitgevoerd waarvoor de unit gekanteld moet worden, dient de brandstoftank leeg te zijn, anders kan er brandstof uitlekken, wat kan leiden tot brand en explosie.

Wij adviseren dat u voor al het onderhoud en alle service aan de motor en de motoronderdelen een geautoriseerde Briggs & Stratton-dealer raadpleegt.

**OPGEPAST** Alle componenten die zijn gebruikt om deze motor te bouwen moeten op hun plaats blijven voor een juiste werking.



## WAARSCHUWING



**Onbedoelde vonkvorming kan resulteren in brand of een elektrische schok.**

**Onbedoeld starten kan leiden tot beknelling, amputatie of rijtwonden.**

**Brandgevaar**

**Vóór het uitvoeren van afstellingen of reparaties:**

- Maak de bougiekabel los en houd de kabel op veilige afstand van de ontstekingsbougie.
- Ontkoppel de accu bij de negatieve aansluiting (alleen motoren met elektrostart).
- Gebruik alleen correct gereedschap.
- Verander niets aan reguleerders, verbindingstangen of andere onderdelen om het motortoerental te verhogen.
- Vervangende onderdelen moeten identiek zijn aan en op dezelfde positie worden geïnstalleerd als de originele onderdelen. Andere onderdelen zullen minder goed werken, kunnen de eenheid beschadigen en kunnen letsel veroorzaken
- Sla niet met een hamer of hard voorwerp tegen het vliegwiel omdat het vliegwiel anders later tijdens bedrijf kan barsten.

**Bij het testen op vonkvorming:**

- Gebruik een goedgekeurde bougietester.
- Controleer niet op vonkvorming wanneer de bougie verwijderd is.

## Onderhoud aan de emissieregeling

**Onderhoud, vervanging en reparatie van de apparatuur en systemen voor de emissieregeling mogen worden uitgevoerd door een persoon of bedrijf gespecialiseerd in de reparatie van niet op de weg gebruikte motoren.** Het onderhoud van de emissieregeling kan zonder kosten worden uitgevoerd door een erkende dealer. Zie de verklaringen voor emissieregeling.

## Onderhoudsschema

<b>Na de eerste 5 uur</b>
<ul style="list-style-type: none"> <li>Olie verversen</li> </ul>
<b>Iedere 8 uur of dagelijks</b>
<ul style="list-style-type: none"> <li>Oliepeil motor controleren</li> <li>Reinigen rond geluiddemper en bedieningselementen</li> <li>Luchtinlaatrooster reinigen</li> </ul>
<b>Iedere 25 uur of jaarlijks</b>
<ul style="list-style-type: none"> <li>Luchtfilter reinigen <sup>1</sup></li> <li>Voorfilter reinigen (indien aanwezig) <sup>1</sup></li> </ul>
<b>Iedere 50 uur of jaarlijks</b>
<ul style="list-style-type: none"> <li>Motorolie verversen</li> <li>Onderhoud uitlaatsysteem</li> </ul>
<b>Iedere 100 uur</b>
<ul style="list-style-type: none"> <li>Tandwielreductieolie (indien aanwezig) vervangen</li> </ul>
<b>Jaarlijks</b>
<ul style="list-style-type: none"> <li>Bougie vervangen</li> <li>Luchtfilter vervangen</li> <li>Voorfilter vervangen (indien aanwezig)</li> <li>Brandstoffilter vervangen (indien aanwezig)</li> <li>Brandstofsysteem onderhouden</li> <li>Koelsysteem onderhouden <sup>1</sup></li> <li>Klepsspeling controleren <sup>2</sup></li> </ul>

<sup>1</sup> Vaker reinigen onder stoffige omstandigheden of wanneer zich veel zwevend vuil in de omgeving bevindt.

<sup>2</sup> Alleen nodig bij problemen met de prestaties van de motor.

## Carburateur en motortoerental

Stel de carburateur of het motortoerental nooit af. De carburateur is in de fabriek afgesteld voor een efficiënte werking onder de meest gangbare omstandigheden. Verander niets aan de reguleerder, koppelingen of andere onderdelen om het motortoerental te verhogen. Als er afstellingen moeten worden uitgevoerd, neem contact op met een erkende Briggs & Stratton-servicedealer.

**OPGEPAST** De fabrikant van de apparatuur heeft het maximale toerental voor de motor zoals geïnstalleerd in de apparatuur gespecificeerd. **Overschrijd dit toerental niet.** Als u niet weet wat het maximale toerental van de apparatuur is of waarop het motortoerental in de fabriek is ingesteld, neem contact op met een erkende Briggs & Stratton-servicedealer. Voor een veilige en juiste bediening van de apparatuur mag het motortoerental uitsluitend worden afgesteld door een gekwalificeerde servicemonteur.

## Voer onderhoud uit aan de bougie.

Zie Afbeelding 9

Controleer de elektrodeafstand (A, Afbeelding 9) met een draadkaliber (B). Stel zonodig de afstand bij. Installeer de bougie en draai deze vast met het aanbevolen aanhaalkoppel. Zie voor afstelling van de elektrodeafstand en het aanhaalkoppel het deel **Specificaties**.

*Opmerking:* \*In sommige gebieden schrijven plaatselijke wetten het gebruik voor van weerstandsbougies om ontstekingsignalen te onderdrukken. Indien deze motor origineel was uitgerust met een weerstandsbougie, gebruik dan voor vervanging hetzelfde type bougie.

## Onderhoud aan het uitlaatsysteem



**WAARSCHUWING**

Draaiende motoren produceren warmte. Motoronderdelen, vooral geluiddempers, worden zeer heet.

Ernstige brandwonden kunnen optreden bij contact.

Brandbaar vuil, zoals bladeren, gras en hout, kan in brand vliegen.

- Laat geluiddemper, motorcilinder en koelvinnen afkoelen voordat u ze aanraakt.
- Verwijder brandbare stoffen die zich in en rondom de geluiddemper en cilinder hebben opgehoopt.
- Overeenkomstig de California Public Resource Code Section 4442 is het verboden de motor te gebruiken in of in de buurt van bos-, kreupelhout- of grasgebied tenzij het uitlaatsysteem is uitgerust met een vonkenvanger, zoals gedefinieerd in Section 4442, die in goede staat wordt gehouden. In andere deelstaten of landen gelden mogelijk vergelijkbare wetten. Neem contact op met de oorspronkelijke fabrikant, detailhandelaar of dealer voor een vonkenvanger die ontworpen is voor het uitlaatsysteem dat op uw machine is geïnstalleerd.

Verwijder brandbare stoffen die zich in en rondom de geluiddemper en cilinder hebben opgehoopt. Inspecteer de uitlaat op barsten, corrosie of andere beschadiging. Verwijder de vonkenvanger, als de machine hiermee is uitgerust en inspecteer deze op beschadiging of koolverstopping. Als u beschadigingen aantreft, installeer dan vervangingsonderdelen voordat u het apparaat weer gebruikt.



**WAARSCHUWING**

Vervangende onderdelen moeten identiek zijn aan en op dezelfde positie worden geïnstalleerd als de originele onderdelen. Andere onderdelen zullen minder goed werken, kunnen de maaier beschadigen en kunnen letsel veroorzaken.

## Motorolie verversen

Zie Afbeelding: 10, 11, 12

Gebruikte olie is een gevaarlijk afvalproduct en moet op de juiste manier worden afgevoerd. Voer het niet met het huishoudelijk afval af. Raadpleeg de plaatselijke autoriteiten, het servicecentrum of uw dealer voor veilige afvoer-/recyclingbedrijven.

### Olie verwijderen

1. Ontkoppel de bougiekabel (D, Afbeelding 10) terwijl de motor is uitgeschakeld, maar nog wel warm is en zorg dat deze niet in de buurt van de bougie (E) komt.
2. Verwijder de olieaftapplug (F, Afbeelding 11). Laat de olie in een goedgekeurde bak stromen.

*Opmerking:* In de motor is een van de olieaftappluggen (G, Afbeelding 11) geïnstalleerd.

3. Als de olie is afgetapt, plaats de olieaftapplug (F, Afbeelding 11) en draai vast.

### Olie bijvullen

- Zorg ervoor dat de motor waterpas staat.
- Verwijder eventueel vuil uit het olievlgebied.
- Zie het deel **Specificaties** voor de oliecapaciteit.

### Olievuldop, indien aanwezig

1. Verwijder de olievluldop (H, Afbeelding 11).

2. Giet langzaam olie in de vulopening voor motorolie (C, Afbeelding 11). Vul zover bij totdat olie bijna naar buiten stroomt.
3. Plaats de olievluldop (H, Afbeelding 11) en zet deze vast.
4. Sluit de bougiekabel (D, Afbeelding 10) aan op de bougie (E).

### Korte peilstok, indien aanwezig

1. Verwijder de peilstok (A, Afbeelding 11) en veeg deze met een schone doek af.
2. Giet langzaam olie in de vulopening voor motorolie (C, Afbeelding 11). Vul zover bij totdat olie bijna naar buiten stroomt.
3. Plaats de peilstok (A, Afbeelding 11). **Niet draaien of vastzetten.** Verwijder de peilstok en controleer het oliepeil. Het oliepeil is juist als het bovenaan bij de indicator voor vol (B) op de peilstok staat.
4. Plaats de peilstok (A, Afbeelding 11) terug en draai deze vast.
5. Sluit de bougiekabel (D, Afbeelding 10) aan op de bougie (E).

### Verlengde peilstok, indien aanwezig

1. Verwijder de peilstok (A, Afbeelding 12) en veeg deze met een schone doek af.
2. Giet langzaam olie in de vulopening voor motorolie (C, Afbeelding 12). **Voeg niet te veel brandstof toe.** Wacht na het bijvullen één (1) minuut en controleer het oliepeil dan nogmaals.
3. Plaats de peilstok en zet die vast (A, Afbeelding 12).
4. Verwijder de peilstok en controleer het oliepeil. Het oliepeil is juist als het bovenaan bij de indicator voor vol (B, Afbeelding 12) op de peilstok staat.
5. Plaats de peilstok (A, Afbeelding 12) terug en draai deze vast.
6. Sluit de bougiekabel (D, Afbeelding 10) aan op de bougie (E).

## Tandwielreductieolie vervangen

Zie Afbeelding: 13, 14

### 6:1 Tandwielreductie (Afbeelding 13)

Indien uw motor is uitgerust met een 6:1 tandwielreductie-unit, voer onderhoud hieraan dan als volgt uit:

1. Verwijder de olievlplug (A, Afbeelding 13) en de oliepeilplug (B).
2. Verwijder de olieaftapplug (C, Afbeelding 13) en tap de olie af in een geschikte bak.
3. Plaats de olieaftapplug (C, Afbeelding 13) terug en zet deze vast.
4. Giet tandwielmeerolie (zie het deel **Specificaties**) in de olievlopening (D, Afbeelding 13) om de unit weer te vullen. Blijf olie naar binnen gieten totdat de olie uit de oliepeilopening (E) stroomt.
5. Plaats de oliepeilplug (B, Afbeelding 13) terug en zet deze vast.
6. Plaats de olievlplug (A, Afbeelding 13) terug en zet deze vast.

*Opmerking:* De olievlplug (A, Afbeelding 13) heeft een ontluuchtingsopening (F) en moet worden gemonteerd op de bovenzijde van de afdekking van de tandwielkast, zoals afgebeeld.

### 2:1 Tandwielreductie (Afbeelding 14)

De 2:1 tandwielreductie-unit (G, Afbeelding 14) vereist geen olieerversing.

## Onderhoud aan het luchtfilter

Zie Afbeelding: 15, 16, 17



**WAARSCHUWING**

Brandstof en brandstofdampen zijn uiterst brandbaar en explosief.

Brand of explosie kunnen ernstige brandwonden of de dood veroorzaken.

- De motor mag nooit worden gestart of draaien als de luchtfiltereenheid (indien aanwezig) of het luchtfilter (indien aanwezig) is verwijderd.

**OPGEPAST** Reinig het filter niet met perslucht of oplosmiddelen. Perslucht kan het filter beschadigen en oplosmiddelen kunnen het filter oplossen.

Zie het **Onderhoudsschema** voor het benodigde onderhoud.

De verschillende modellen hebben een filter van schuim of papier. Sommige modellen zijn ook uitgerust met een optioneel voorfilter dat kan worden uitgewassen en hergebruikt. Vergelijk de illustraties in deze handleiding met het type dat op uw motor is gemonteerd en voer onderhoud op basis daarvan uit.

## Papieren luchtfilter

1. Maak de bevestiging(en) (A, Afbeelding 15, 16).
2. Verwijder het deksel (B, Afbeelding 15, 16).
3. Verwijder het voorfilter (C, Afbeelding 15, 16) (indien aanwezig) en het filter (D).
4. Tik het filter (D, Afbeelding 15, 16) voorzichtig op een hard oppervlak om het vuil los te maken. Als het filter zeer vuil is, vervang het dan door een nieuw filter.
5. Was het voorfilter (C, Afbeelding 15, 16) (indien aanwezig) in water met een vloeibaar reinigingsmiddel. Laat het voorfilter grondig aan de lucht drogen. **Breng geen olie aan op het voorfilter.**
6. Monteer het droge voorfilter (C, Afbeelding 15, 16) (indien aanwezig) op het filter (D) met de lip (G) van het voorfilter aan de onderzijde van de filterplooiën.
7. Installeer het filter (D, Afbeelding 15, 16).
8. Bij modellen met een luchtfilter als in Afbeelding 15: breng de dekselknoppen (E) in de inkepingen (F).
9. Plaats het deksel (B, Afbeelding 15, 16) en zet het goed vast met de bevestiging(en) (A).

## Papieren luchtfilter

1. Maak de bevestiging(en) (A, Afbeelding 17) los.
2. Verwijder het deksel (B, Afbeelding 17).
3. Verwijder het voorfilter (C, Afbeelding 17) (indien aanwezig) en het filter (D).
4. Tik het filter (D, Afbeelding 17) voorzichtig op een hard oppervlak om het vuil los te maken. Als het filter zeer vuil is, vervang het dan door een nieuw filter.
5. Verwijder het voorfilter (C, Afbeelding 17) (indien aanwezig) uit het filter (D).
6. Was het voorfilter (C, Afbeelding 17) (indien aanwezig) in water met een vloeibaar reinigingsmiddel. Laat het voorfilter grondig aan de lucht drogen. **Breng geen olie aan op het voorfilter.**
7. Monteer het droge voorfilter (C, Afbeelding 17) op het filter (D).
8. Monteer het filter (D, Afbeelding 17) en het voorfilter (C) (indien aanwezig) op de houder (E) van het luchtfilter en op tapbout (F). Zorg dat het filter stevig op de houder zit.
9. Plaats het luchtfilterdeksel (B, Afbeelding 17) en zet het goed vast met de bevestiging(en) (A). Zorg dat de bevestiging(en) goed vast zit(ten).

## Onderhoud aan het brandstofsysteem

Zie Afbeelding: 18, 19



**Brandstof en brandstofdampen zijn uiterst brandbaar en explosief.**

**Brand of explosie kunnen ernstige brandwonden of de dood veroorzaken.**

- Houd de brandstof uit de buurt van vonken, open vlammen, waakvlammen, hitte en andere ontstekingsbronnen.
- Controleer brandstofleidingen, tank, vuldop en koppelingen regelmatig op barsten of lekken. Vervang deze waar nodig.
- Wanneer u het brandstoffilter gaat reinigen of vervangen, moet u eerst de brandstoftank aftappen of de brandstofkraan dichtdraaien.
- Wanneer er brandstof wordt gemorst, moet u wachten totdat deze is verdampt voordat u de motor start.
- Vervangingsonderdelen moeten hetzelfde zijn en op dezelfde manier worden geïnstalleerd als de originele onderdelen.

## Benzinefilter (waar aanwezig)

1. Wanneer u het brandstoffilter (A, Afbeelding 18) gaat reinigen of vervangen, moet u eerst de brandstoftank aftappen of de brandstofkraan dichtdraaien. Anders kan er brandstof lekken en brand of ontploffing veroorzaken.
2. Druk de lipjes (B, Afbeelding 18) op de klemmen (C) samen met een tang en schuif de klemmen daarna weg van de brandstoffilter (A). Trek de brandstofleidingen (D) draaiend van het brandstoffilter af.
3. Controleer de brandstofleidingen (D, Afbeelding 18) op barsten of lekkage. Vervang deze waar nodig.
4. Vervang het brandstoffilter (A, Afbeelding 18) door een origineel vervangingsfilter.
5. Zet de brandstofleidingen (D, Afbeelding 18) vast met de klemmen (C), zoals weergegeven.

## Brandstofzeef (waar aanwezig)

1. Verwijder de brandstofdop (A, Afbeelding 19).
2. Verwijder de brandstofzeef (B, Afbeelding 19).
3. Reinig of vervang de brandstofzeef wanneer deze vuil is. Vervang een brandstofzeef altijd door een origineel vervangingsonderdeel.

## Onderhoud aan het koelsysteem



**Draaiende motoren produceren warmte. Motoronderdelen, vooral geluiddempers, worden zeer heet.**

**Ernstige brandwonden kunnen optreden bij contact.**

**Brandbaar vuil, zoals bladeren, gras en hout, kan in brand vliegen.**

- Laat geluiddemper, motorcilinder en koelvinnen afkoelen voordat u ze aanraakt.
- Verwijder brandbare stoffen die zich in en rondom de geluiddemper en cilinder hebben ogehoopt.

**OPGEPAST** Gebruik geen water om de motor te reinigen. Water kan het brandstofsysteem verontreinigen. Gebruik een borstel en droge doek om de motor te reinigen.

Dit is een luchtgekoelde motor. Vuil kan de luchtstroom belemmeren en ervoor zorgen dat de motor oververhit raakt, wat resulteert in slechte prestaties en een verminderde levensduur van de motor.

1. Verwijder vuil uit het luchtinlaatrooster met behulp van een borstel of droge doek.
2. Houd verbindingen, veren en bedieningen schoon.
3. Zorg dat het gebied rond en achter de geluiddemper (indien aanwezig) vrij blijft van brandbaar vuil.
4. Zorg dat er geen vuil of rommel op de koelvinnen van de spoel (indien aanwezig) zit.

Na verloop van tijd kan zich vuil ophopen in de koelvinnen van cilinder en ervoor zorgen dat de motor oververhit raakt. Dit vuil kan niet verwijderd worden zonder de motor deels te demonteren. Laat een erkende Briggs & Stratton-dealer het luchtkoelsysteem inspecteren en reinigen zoals aanbevolen in het **Onderhoudsschema**.

## Opslag



**Brandstof en brandstofdampen zijn uiterst ontvlambaar en explosief.**

**Brand of explosie kan ernstige brandwonden of dodelijk letsel veroorzaken.**

**Bij het opslaan van brandstof of machines met brandstof in de tank**

- Opslaan uit de buurt van fornuizen, ovens, waterkokers of andere apparaten die een waakvlam bevatten of andere ontstekingsbronnen, omdat deze brandstofdampen kunnen doen ontbranden.

## Brandstofsysteem

Zie afbeelding: 20

Berg de motor waterpas op (normale bedrijfsstand). Vul brandstoftank (A, Afbeelding 20) met brandstof. Vul de brandstoftank niet tot boven de onderkant van de nek (B) zodat de brandstof kan uitzetten.

Brandstof kan verschalen als het langer dan 30 dagen wordt bewaard. Verschaalde brandstof kan leiden tot zuur- en gomafzettingen in het brandstofsysteem of op essentiële carburateuronderdelen. Om brandstof vers te houden, kunt u **Briggs & Stratton Behandeling met een geavanceerde brandstofformule en -stabilisator gebruiken**, beschikbaar op locaties waar originele Briggs & Stratton -onderdelen worden verkocht.

U hoeft de benzine niet uit de motor af te tappen als een brandstofstabilisator volgens de instructies wordt toegevoegd. Laat voor het opbergen van de machine de motor twee (2) minuten lopen zodat de stabilisator door het brandstofsysteem kan circuleren.

Als de benzine in de motor niet met een brandstofstabilisator is behandeld, moet het in een goedgekeurde bak worden afgetapt. Laat de motor lopen totdat deze door gebrek aan brandstof stopt. Het gebruik van een brandstofstabilisator in de opslag container wordt aanbevolen om de brandstof vers te houden.

## Motorolie

Ververs de motorolie als de motor nog warm is. Zie het deel **Motorolie verversen**.

# Problemen oplossen

Als u hulp nodig hebt, neem dan contact op met uw dealer of ga naar **BRIGGSandSTRATTON.com** of bel **1-800-233-3723** (in de VS).

## Specificaties

Model: 120000	
Cilinderinhoud	12.48 ci (205 cc)
Boring	2.688 in (65,28 mm)
Slag	2.200 in (55,88 mm)
Oliecapaciteit	18 - 20 oz (,54 - ,59 L)
Type tandwielreductieolie	80W-90
Capaciteit tandwielreductieolie	4 oz (0,12 L)
Elektrodeafstand van bougie	.030 in (,76 mm)
Aanhaalkoppel bougie	180 lb-in (20 Nm)
Luchtspleet van ontstekingsspoel	.010 - .014 in (,25 - ,36 mm)
Inlaatklepspeling	.004 - .006 in (,10 - ,15 mm)
Uitlaatklepspeling	.009 - .011 in (,23 - ,28 mm)

Model: 150000	
Cilinderinhoud	15.24 ci (250 cc)
Boring	2.970 in (75,44 mm)
Slag	2.200 in (55,88 mm)
Oliecapaciteit	18 - 20 oz (,54 - ,59 L)
Type tandwielreductieolie	80W-90
Capaciteit tandwielreductieolie	4 oz (0,12 L)
Elektrodeafstand van bougie	.030 in (,76 mm)
Aanhaalkoppel bougie	180 lb-in (20 Nm)
Luchtspleet van ontstekingsspoel	.010 - .014 in (,25 - ,36 mm)
Inlaatklepspeling	.004 - .006 in (,10 - ,15 mm)
Uitlaatklepspeling	.009 - .011 in (,23 - ,28 mm)

Model: 200000	
Cilinderinhoud	15.63 ci (305 cc)
Boring	3.120 in (79,24 mm)
Slag	2.438 in (61,93 mm)
Oliecapaciteit	26 - 28 oz (,77 - ,83 L)
Type tandwielreductieolie	SAE 30
Capaciteit tandwielreductieolie	12 oz (,35 L)
Elektrodeafstand van bougie	.030 in (,76 mm)
Aanhaalkoppel bougie	180 lb-in (20 Nm)
Luchtspleet van ontstekingsspoel	.008 - .012 in (,20 - ,30 mm)
Inlaatklepspeling	.004 - .006 in (,10 - ,15 mm)
Uitlaatklepspeling	.004 - .006 in (,10 - ,15 mm)

Model: 210000	
Cilinderinhoud	20.85 ci (342 cc)
Boring	3.300 in (83,81 mm)
Slag	2.438 in (61,93 mm)
Oliecapaciteit	26 - 28 oz (,77 - ,83 L)
Type tandwielreductieolie	SAE 30
Capaciteit tandwielreductieolie	12 oz (,35 L)
Elektrodeafstand van bougie	.030 in (,76 mm)
Aanhaalkoppel bougie	180 lb-in (20 Nm)
Luchtspleet van ontstekingsspoel	.008 - .012 in (,20 - ,30 mm)

Model: 210000	
Inlaatklepspeling	.004 - .006 in (,10 - ,15 mm)
Uitlaatklepspeling	.004 - .006 in (,10 - ,15 mm)

Het motorvermogen neemt met 3,5 % af voor elke 300 meter (1.000 voet) boven zeeniveau en 1 % voor elke 5,6 °C (10 °F) boven 25 °C (77 °F). De motor werkt goed tot een hellingshoek van 15°. Raadpleeg de gebruikershandleiding van de machine voor de maximaal toegestane veilige hellingshoeken.

Serviceonderdelen - Model: 120000, 150000, 200000, 210000	
Serviceonderdeel	Onderdeelnummer
Vlak luchtfilter	491588, 5043
Vlak luchtfilter voorfilter	493537, 5064
Ovaal luchtfilter (modellen 120000, 150000)	697029, 5059
Ovaal luchtfilter voorfilter (modellen 120000, 150000)	273356
Ovaal luchtfilter (modellen 200000, 210000)	695302
Ovaal luchtfilter voorfilter (modellen 200000, 210000)	695303
Brandstoffilter	694485
Advanced Formula Fuel Treatment & Stabilizer	100117, 100120
Weerstandsbougie	491055
Weerstandsbougie	5066
Bougiesleutel	89838, 5023
Vonktester	19368

Wij adviseren dat u voor al het onderhoud en alle service aan de motor en de motoronderdelen een erkende Briggs & Stratton-dealer raadpleegt.

**Vermogenklasseringen:** De classificatie van het brutovermogen voor individuele benzinemotormodellen is ingedeeld conform code J1940 Vermogens- en torsieklasseringsprocedure voor kleine motoren van de SAE (Society of Automotive Engineers) en is geklasseerd conform SAE J1995. Torsiewaarden zijn voor een toerental van 2.600 omw/min voor motoren waarbij "rpm" wordt aangegeven op het label en 3060 RPM voor alle andere motoren; de paardenkrachtwwaarden worden gegeven bij 3.600 RPM. De curves voor het brutovermogen kunt u bekijken op [www.BRIGGSandSTRATTON.COM](http://www.BRIGGSandSTRATTON.COM). Het nettovermogen wordt gemeten met gemonteerde uitlaat en luchtfilter, maar het brutovermogen wordt gemeten zonder deze onderdelen. Het werkelijke brutovermogen ligt hoger dan het nettovermogen en wordt onder meer beïnvloed door omgevingsfactoren en verschillen tussen de motoren. Gezien de vele verschillende producten waarvoor onze motoren worden gebruikt, zal de benzinemotor mogelijk niet het nominale brutovermogen ontwikkelen wanneer de motor wordt gebruikt in een door een motor aangedreven machine. Dit verschil wordt veroorzaakt door diverse factoren waaronder, maar niet uitsluitend, de verscheidenheid aan motoronderdelen (luchtfilter, uitlaat, turbo, koelen, carburateur, brandstofpomp etc.), toepassingsbeperkingen, omgevingsfactoren (temperatuur, vochtigheid, hoogte) en verschillen tussen motoren. Vanwege productie- en capaciteitsbeperkingen kan het zijn dat Briggs & Stratton een motor met een hoger nominaal vermogen gebruikt in plaats van de standaardmotor voor deze serie.

## Garantie

### Garantie op de motor van Briggs & Stratton

Per januari 2017

#### Beperkte garantie

Briggs & Stratton garandeert dat tijdens de hieronder gespecificeerde garantietermijn elk onderdeel van een product dat materiaal- en/of productiefouten vertoont, gratis hersteld of vervangen zal worden. Transportkosten voor producten die worden teruggestuurd ter reparatie of vervanging onder deze garantie komen voor rekening van de koper. Deze garantie is geldig voor- en onderhevig aan de onderstaande periodes en voorwaarden. Voor garanteservice kunt u de dichtstbijzijnde erkende servicedealer vinden met behulp van de dealerzoekfunctie op [BRIGGSandSTRATTON.COM](http://BRIGGSandSTRATTON.COM). De koper moet contact opnemen met de Erkende Service Dealer en het product dan beschikbaar maken voor de Erkende Service Dealer voor inspectie en tests.

**Er wordt geen andere expliciete garantie afgegeven. Impliciete garanties, inclusief voor verkoopbaarheid en geschiktheid voor een bepaald doel, zijn beperkt tot de hieronder gespecificeerde garantietermijn of in de wettelijke toegestane mate.** Aansprakelijkheid voor incidentele of gevolgschade wordt uitgesloten voor zover dit wettelijk toegestaan is. Sommige staten of landen staan geen beperkingen toe over de periode



waarin een impliciete garantie geldig is, en sommige staten of landen staan geen uitsluiting of beperking van incidentele of gevolgschade toe, zodat de bovenstaande beperkingen en uitsluitingen mogelijk niet op u van toepassing zijn. Deze garantie geeft u bepaalde specifieke wettelijke rechten en u kunt mogelijk andere rechten hebben die van rechtsgebied tot rechtsgebied variëren.<sup>4</sup>

## Standaard garantievoorwaarden 1, 2, 3

Merk / productnaam	Particulier gebruik	Commercieel gebruik
Vanguard™; Commercial Series	36 maanden	36 maanden
Motoren met de Dura-Bore™ gietijzeren voering	24 maanden	12 maanden
Alle overige motoren	24 maanden	3 maanden

<sup>1</sup>Dit zijn onze standaardvoorwaarden voor garantie, maar er kunnen aanvullende garantiebepalingen zijn die op het moment van publicatie nog niet waren bepaald. Ga voor alle actuele garantievoorwaarden voor uw motor naar [BRIGGSandSTRATTON.com](http://BRIGGSandSTRATTON.com) of neem contact op met uw erkende Briggs & Stratton-servicedealer.

<sup>2</sup> Er is geen garantie voor motoren op apparatuur die wordt gebruikt voor primaire voeding in plaats van openbare voorzieningen of voor noodaggregaten voor commerciële doeleinden. Er geldt geen garantie voor motoren die gebruikt worden voor competitief racen en op commerciële- of verhuurcircuits.

<sup>3</sup> Vanguard geïnstalleerd op stand-by generators: 24 maanden voor particulier gebruik, geen garantie bij commercieel gebruik. Vanguard geïnstalleerd op utiliteitsvoertuigen: 24 maanden voor particulier gebruik, 24 maanden garantie bij commercieel gebruik. Commercial Series met fabricagedatum vóór juli 2017, 24 maanden particulier gebruik, 24 maanden commercieel gebruik.

<sup>4</sup> In Australië - onze artikelen worden geleverd met garanties die onder de Australische consumentenwetgeving niet kunnen worden uitgesloten. U hebt recht op een vervanging of een vergoeding in geval van een groot defect en op compensatie voor andere redelijkerwijs te voorzien vormen van verlies en schade. U hebt ook recht op het repareren of vervangen van de artikelen als deze niet van acceptabele kwaliteit zijn en als het defect geen groot defect is. Zoek voor garantieservice de dichtstbijzijnde Erkende Service Dealer op met onze dealerkaart op [BRIGGSandSTRATTON.com](http://BRIGGSandSTRATTON.com), of bel 1300 274 447, of mail of schrijf naar [salesenquires@briggsandstratton.com.au](mailto:salesenquires@briggsandstratton.com.au), Briggs & Stratton Australia Pty Ltd, 1 Moorebank Avenue, Moorebank, NSW, Australië, 2170.

De garantieperiode begint op de datum van aankoop door de eerste consument of commerciële klant. "Particulier gebruik" betekent persoonlijk residentieel gezinsgebruik door een detailhandelsconsument. "Commercieel gebruik" betekent ieder ander gebruik, inclusief het gebruik voor commerciële huurdoeleinden of voor het genereren van inkomen. Als een motor eenmaal commercieel gebruikt is, dan zal deze daarna voor deze garantie als commercieel gebruikt worden beschouwd.

**Bewaar uw kwitantie als aankoopbewijs. Indien u geen bewijs kunt leveren van de oorspronkelijke aankoopdatum op het ogenblik waarop om garantieservice wordt verzocht, zal de productiedatum van het product worden gebruikt om de garantieperiode te bepalen. Productregistratie is niet noodzakelijk voor het verkrijgen van garantie op producten van Briggs & Stratton.**

### Over uw garantie

Deze garantie dekt uitsluitend aan de motor gerelateerde defecte materialen en/of bewerkingen, en niet vervanging of vergoeding van de machine waarop de motor gemonteerd kan zijn. Routineonderhoud, afstellingen, aanpassingen of normale slijtage vallen niet onder deze garantie. De garantie is ook niet van toepassing als de machine is gewijzigd of aangepast, of als het serienummer van de motor is beschadigd of verwijderd. Deze garantie geldt niet voor schade aan de motor of prestatieproblemen door:

1. Het gebruik van niet- originele Briggs & Stratton-onderdelen;
2. Het laten draaien van de motor met onvoldoende, vervuilde of de onjuiste soort smeerolie;
3. Het gebruik van vervuilde of niet-verse brandstof, benzine verrijkt met meer dan 10% ethanol of het gebruik van alternatieve brandstoffen zoals vloeibare petroleum of aardgas bij motoren die oorspronkelijk niet zijn ontwikkeld/gefabriceerd door Briggs & Stratton om op dergelijke brandstoffen te draaien;
4. Vuil dat in de motor terecht is gekomen vanwege een onjuist onderhoud of een onjuiste hermontage van de luchtfilter;
5. Het raken van een object met een snijblad van een roterende grasmaaier, losjes of onjuist geïnstalleerde bladtussenstukken, waaiers of andere aan de krukas gekoppelde onderdelen, of excessieve strakheid van de v-snaar;
6. Bijbehorende onderdelen en eenheden zoals koppelingen, aandrijvingen en afstandsbedieningen van apparatuur die niet door Briggs & Stratton zijn geleverd;
7. Oververhitting als gevolg van grasmaaisel, vuil en rommel of nesten van knaagdieren die de koelvinnen of het vliegwielgebied verstoppen of erin zitten, of door de motor te laten draaien zonder voldoende ventilatie;
8. Excessieve trillingen als gevolg van een te hoge snelheid, een te losjes gemonteerde motor, losse of niet-uitgebalanceerde snijbladen of waaiers of onjuiste koppeling van onderdelen van de apparatuur aan de krukas;

9. Verkeerd gebruik, gebrek aan routineonderhoud, verzending, omgang met of opslag van apparatuur, of onjuiste installatie van de motor.

**De garantieservice is uitsluitend beschikbaar via erkende servicedealers van Briggs & Stratton. U vindt uw dichtstbijzijnde Geautoriseerde Service Dealer in onze "dealer locator" kaart op [BRIGGSandSTRATTON.com](http://BRIGGSandSTRATTON.com) of kijk in de 'Gouden Gids'.**

80004537 (Rev. C)

Denne håndboken inneholder sikkerhetsinformasjon som gjør deg oppmerksom på farer og risiko forbundet med motorer, og hvordan du unngår dem. Den inneholder også instruksjoner for riktig bruk og vedlikehold av motoren. Fordi Briggs & Stratton ikke nødvendigvis vet hvilket utstyr motoren driver, er det viktig at du leser og forstår disse instruksjonene og instruksjonene for utstyret som motoren driver. **Ta vare på disse originalinstruksjonene for framtidig referanse.**

**Merk:** Tallene og illustrasjonene i denne håndboken er kun oppgitt som referanse og kan avvike fra din modell. Kontakt forhandleren hvis du har spørsmål.

For å skaffe reservedeler eller teknisk assistanse, må du notere motorens modell-, type- og kodenummer sammen med kjøpedato her. Disse numrene sitter på motoren (se avsnittet om **Tekniske egenskaper og kontroller**).

<b>Kjøpedato:</b>	
<b>Modell - Type - Trim</b>	
<b>Motorens serienumre</b>	

Se etter 2D strekkoden som finnes på enkelte motorer. Når koden leses med en 2D-avleser, vil den vise vår nettside der du kan få tilgang til støtteinformasjon for dette produktet. Internetpriser gjelder. Det kan hende at online støtte ikke er tilgjengelig i enkelte land.



## Brukerens sikkerhet

### Advarselsymbol og signalord

Symbolet for sikkerhetsadvarsel er brukt til å identifiserer sikkerhetsinformasjon angående farer som kan medføre personskade. Et signalord (FARE, ADVARSEL, eller FORSIKTIG) er brukt i tillegg til advarselsymbolet for å angi risikograden og det potensielle omfanget av skaden. Det kan i tillegg benyttes et faresymbol som angir hvilken type fare det gjelder.

**FARE** viser til en fare som vil føre til død eller alvorlige personskader hvis den ikke unngås.

**ADVARSEL** viser til en fare som kan føre til død eller alvorlige personskader hvis den ikke unngås.

**FORSIKTIG** viser til en fare som kan føre til mindre eller moderate personskader hvis den ikke unngås.

**OBS** viser til en handling som kan føre til skade på produktet.

### Faresymboler og deres betydning

Symbol	Betydning	Symbol	Betydning
	Sikkerhetsinformasjon om farer som kan føre til personlige skader.		Les og forstå brukerhåndboken før du bruker eller vedlikeholder enheten.
	Brannfare		Fare for eksplosjon
	Fare for støt.		Fare for giftige gasser
	Fare for varm overflate		Støyfare - Hørselsvern anbefales ved langvarig bruk.

Symbol	Betydning	Symbol	Betydning
	Fare for at gjenstander kan slynges ut - Bruk vernebriller.		Fare for eksplosjon
	Fare for frostskafer		Fare for tilbakeslag
	Fare for amputasjon - bevegelige deler		Kjemikaliefare
	Termisk fare (varme)		Etsende

## Meldinger vedr. sikkerhet



### ADVARSEL

Visse komponenter i dette produktet og tilhørende tilbehør inneholder kjemikalier som staten California vet kan forårsake kreft, fødselsskader eller skader på forplantningsevnen. Vask hendene etter håndtering.



### ADVARSEL

Eksosen fra dette produktet inneholder kjemikalier som i delstaten California er kjent for å forårsake kreft, fosterskader eller skade reproduksjonsevnen.



### ADVARSEL

Briggs & Stratton motorene er ikke konstruert for å drive følgende kjøretøy og må heller ikke brukes til disse: rallykarter, gokarter, barns kjøretøy, fritidskjøretøy eller terrengkjøretøy (ATV), motorsykler, hoverbåter, flyprodukter eller kjøretøy som brukes i konkurranser som ikke er godkjent av Briggs & Stratton. For informasjon om produkter til konkurransekjøring, se [www.briggsracing.com](http://www.briggsracing.com). For bruk på nyttekjøretøy og ATV'er med to seter ved siden av hverandre (side-by-side), vennligst ta kontakt med Briggs & Stratton Engine Application Center, 1-866-927-3349. Feil bruk av motorer kan resultere i alvorlige skader eller død.



### ADVARSEL



Drivstoff og drivstoffdamper er ekstremt lett antennelige og eksplosive.

Brann eller eksplosjon kan forårsake alvorlige brannskader eller død.

#### Når du fyller på drivstoff

- Slå motoren av og la motoren avkjøles i minst to minutter før du tar av bensinlokket.
- Fyll drivstofftanken utendørs eller i godt ventilert område.
- Ikke overfyll en drivstofftank. For å kunne gi plass til å la drivstoffet utvide seg, ikke fyll til over bunnen av drivstofftankhalsen.
- Hold drivstoff unna gnister, åpen flamme, sparebluss, varme og andre tennkilder.
- Kontroller drivstoffslanger, tank, lokk og fester ofte for sprekker og lekkasjer. Skift ut om nødvendig.
- Hvis du har sølt bensin, må du vente til den har fordampet, før du starter opp motoren.

#### Når du starter motoren

- Sjekk at tennpluggen, eksospotten, lokket på drivstofftanken og luftfilteret (hvis montert) sitter godt på plass.
- Motoren må ikke dreies rundt hvis tennpluggen er fjernet.
- Hvis motoren drukner, sett choken (hvis montert) i stillingen OPEN / RUN (åpen/kjør), sett gasspjeld (hvis montert) i stillingen FAST (hurtig) og dreii motoren rundt til den starter.

#### Når du betjener enheten

- Motoren eller maskinen må IKKE veltes i en vinkel der drivstoff kan renne ut.
- Motoren må ikke stanses ved å kvele forgasseren.
- Motoren må aldri startes eller kjøres uten at luftfilterenheten (hvis montert) eller luftfilteret (hvis montert) sitter på plass.

#### Når du skifter olje

- Hvis du taper av olje fra toppen av oljepåfyllingsrøret, må drivstofftanken være tom. Ellers kan drivstoffet lekke ut og føre til brann eller eksplosjon.

#### Når maskinen veltes for å utføre vedlikehold

- Når det er nødvendig å velte maskinen for å utføre vedlikehold, må drivstofftanken hvis en er montert på motoren, være tom, ellers kan drivstoff renne ut og forårsake brann eller eksplosjon.

#### Når du frakter utstyr

- Transporteres med TOM drivstofftank eller med drivstoffkranen i STENGT stilling.

#### Ved oppbevaring av drivstoff eller utstyr med drivstoff i tank

- Må ikke oppbevares i nærheten av fyringsanlegg, ovner, varmtvannsbereidere eller annet utstyr med sparebluss eller andre antenningskilder, da de kan antenne drivstoffdamp.



Ved start av motoren oppstår det gnister.

Gnister kan antennes i nærheten av brennbare gasser.

Dette kan føre til eksplosjon og brann.

- Hvis det finnes naturgass- eller flytgasslekkasje i området, skal du ikke starte motoren.
- Bruk ikke startvæsker under trykk, da dampen er antennelig.



**FARE FOR GIFTIG GASS.** Eksosen fra motoren inneholder karbonmonoksid (kullos), en giftig gass som kan ta livet av deg i løpet av få minutter. Du KAN IKKE se, lukte eller kjenne smaken av den. Selv om du ikke lukter eksos, kan du likevel bli utsatt for karbonmonoksid-gass. Hvis du begynner å føle deg kvalm, svimmel eller svak mens du bruker dette produktet, trekk litt frisk luft MED EN GANG. Oppsøk en lege. Det er mulig du er forgiftet av karbonmonoksid (kullos).

- Bruk produktet UTELUKKENDE utendørs, langt unna vinduer, dører og ventiler for å redusere risikoen for at karbonmonoksidgass hopper seg opp og potensielt trekkes mot områder der personer oppholder seg.
- Monter batteridrevne karbonmonoksid-alarmer eller innpluggbare karbonmonoksid-alarmer med batterireserve i henhold til produsentens veiledning. Røykvarslere registrerer ikke karbonmonoksid gass.
- Kjør IKKE dette produktet inne i boliger, garasjer, kjellere, rom med begrenset høyde under gulv og tak, under skur eller andre delvis lukkede rom, selv om du bruker vifter eller åpne dører og vinduer til å ventilere. Karbonmonoksid kan raskt bygge seg opp i slike rom, og kan bli værende på samme sted i flere timer, selv etter at dette produktet er slått av.
- Plasser ALLTID produktet med vinden og la eksosen peke bort fra områder der det oppholder seg mennesker.



Hurtig tilbakespoling av startsnoren (tilbakeslag) vil trekke hånden og armen din raskere mot motoren enn du klarer å slippe taket.

Dette kan føre til benbrudd, frakturer, blåmerker eller forstuing.

- Når du starter motoren, trekk startsnoren sakte til du begynner å kjenne motstand, trekk deretter hardt til for å unngå tilbakeslag.
- Ta av alt påmontert utstyr / motorbelastning før motoren startes.
- Maskinkomponenter som er montert direkte, slik som, men ikke begrenset til, kniver, viftehjul, remskiver, kjedehjul osv., må sitte godt fast.



Roterende deler kan komme i kontakt eller vikle seg inn i hender, føtter, klær eller tilbehør.

Dette kan føre til traumatisk amputasjon av lemsdeler eller store sårskader.

- Dekslene må alltid sitte på plass når maskinen er i bruk.
- Hold hender og føtter borte fra roterende deler.
- Sett opp langt hår og ta av smykker.
- Du må ikke ha på deg løstsittende klær, snører som henger løst eller noe annet som kan sette seg fast i maskinen.



Motorer som er i gang utvikler varme. Motordeler, spesielt eksospotte, blir ekstremt varme.

Alvorlige forbrenninger kan oppstå ved kontakt.

Letantennelig avfall, som blader, gress, kratt, osv., kan ta fyr.

- La eksospotte, motorsylinder og ribber få avkjøle seg før de berøres.
- Ta bort oppsamlet rusk fra området rundt eksospotten og sylinderen.
- Det er et brudd på Californias lov om offentlige ressurser, §4442, å bruke eller ha motoren i gang på et skogledd, kratt-dekket, eller gresskledd stykke land med mindre eksossystemet er utstyrt med en gnistfanger som er holdt i fullgod stand, slik som definert i § 4442. Andre stater eller nasjonale jurisdiksjoner vil kunne ha lignende lover. Kontakte den opprinnelige utstyrproduzenten, detaljisten eller forhandleren for å få en gnistfanger satt på det eksosanlegget som er installert på denne motoren.



Utsiktet gnisting kan resultere i brann eller elektrisk sjokk.

Tilfeldig start kan resultere i forviklinger, traumatisk amputasjon eller sårskader.

Fare for brann

Før du utfører justeringer eller reparasjoner:

- Koble fra tennpluggledningen og fest den på avstand fra tennpluggen.
- Frakople batteriet ved den negative terminalen (kun motorer med elektrisk start.)
- Bruk kun riktige verktøy.
- Ikke tukle med regulatorfjæren, lenker eller andre deler for å øke motorhastighet.
- Reservedeler må alltid være av samme type og monteres i samme posisjon som de originale delene. Andre deler kan muligens ikke yte like bra, kan skade enheten og kan resultere i personskade.
- Slå aldri på svinghjulet med en hammer eller en annen hard gjenstand da svinghjulet kan sprekke senere under drift.

Ved testing av gnist:

- Bruk godkjent tennpluggtester.
- Ikke se etter gnist med tennpluggen fjernet.

## Funksjoner og kontroller

### Motorkontroller

Sammenligne illustrasjonen (Figur: 1, 2, 3) med motoren for å bli kjent med hvor de forskjellige kontrollene og funksjonene er plassert.

- Motoridentifikasjonsnumre **Modell - Type - Kode**
- Tennplugg
- Luftfilter (flatt eller ovalt)
- Choke
- Drivstoffkran (hvis montert)
- Startsnor-håndtak
- Luftinntaksgitter

- H. Gasspak (hvis montert)
- I. Stoppebryter (hvis montert)
- J. Drivstofftank og lokk
- K. Forlenget peilepinne (hvis montert)
- L. Kort peilepinne (hvis montert)
- M. Oljetappeplugg
- N. Oljepåfylling
- O. Eksospotte, eksosspottedeksel (hvis montert) , gnistfanger (hvis montert)
- P. Sikkerhetsnøkkel (modeller med elektrisk start)
- Q. PÅ/AV bryter (modeller med elektrisk start)
- R. Reduksjonsgir-enhet (hvis montert)
- S. Nøkkelbryter (modeller med elektrisk start)

## Symboler for motorkontroller og deres betydning

Symbol	Betydning	Symbol	Betydning
	Motorhastighet - HURTIG		Motorhastighet - SAKTE
	Motorhastighet - STOPP		PÅ - AV
	Start av motor - Choke STENGT		Start av motor - Choke ÅPEN
	Lokk til drivstofftank Drivstoffspærre - ÅPEN		Drivstoffspærre - STENGT
	Drivstoffnivå - Maksimum Ikke overfyll		

## Drift

### Anbefalinger når det gjelder olje

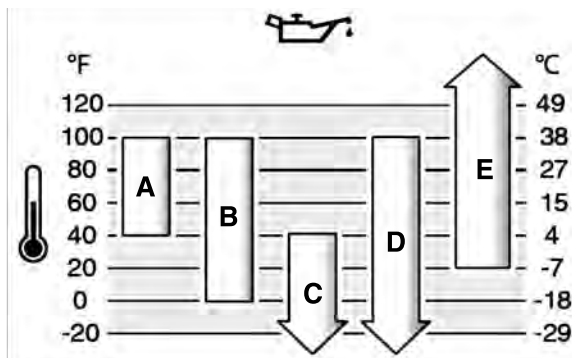
**Oljekapasitet:** Se *Spesifikasjoner* delen.

#### OBS

Denne motoren ble sendt fra Briggs & Stratton uten olje. Utstøpsproduktene eller forhandlerne kan ha fylt olje på motoren. Før motoren startes første gang, må du sørge for å kontrollere oljenivået og fylle på olje i henhold til anvisningene i denne håndboken. Hvis motoren startes uten olje, vil den skades slik at den ikke kan repareres, og skaden vil ikke dekkes av garanti.

Vi anbefaler bruk av Briggs & Strattons garantisertifiserte oljer for optimal ytelse. Andre høykvalitets renseoljer er akseptable hvis de er klassifisert for service SF, SG, SH, SJ, eller høyere. Ikke bruk spesielle tilsetningsstoffer.

Utetemperaturer avgjør riktig oljeviskositet for motoren. Bruk tabellen til å velge den optimale viskositeten for det forventede temperaturspektret utendørs. Motorer på de fleste utendørsutstyr opererer godt med 5W-30 syntetisk olje. For utstyr som opererer i varme temperaturer, gir Vanguard™ 15W-50 syntetisk olje den beste beskyttelsen.



A	SAE 30 - Under 4°C vil bruk av SAE 30 resultere i vanskelig start.
B	10W-30 - Over 27 °C vil bruk av 10W-30 kunne forårsake økt oljeforbruk. Sjekk oljenivået oftere.
C	5W-30
D	Syntetisk 5W-30
E	Vanguard™ syntetisk 15W-50

## Sjeking av oljenivået

Se Figur: 4, 5

### Før oljen fylles på og sjekkes

- Sjekk at motoren står vannrett.
- Rengjør området rundt oljepåfyllingen for å fjerne alt rusk.

### Oljepåfyllingslokk, hvis montert

1. Ta av oljepåfyllingslokket (A, Figur 4).
2. Hvis oljenivået er lavt, fyller oljen sakte i motoroljepåfyllingen (B, Figur 4). Fyll helt til oljen renner over.
3. Sett inn og stram oljepåfyllingslokket (A, Figur 4).

### Kort peilepinne, hvis montert

1. Ta ut peilepinnen (C, Figur 4) og tørk av den med en ren klut.
2. Sett inn peilepinnen (C, Figur 4). **Ikke dreie eller stram den.**
3. Ta ut peilepinnen og sjekk oljenivået. Riktig oljenivå er øverst på full-indikatoren (D, Figur 4) på peilepinnen.
4. Hvis oljenivået er lavt, fyller oljen sakte i motoroljepåfyllingen (B, Figur 4). Fyll helt til oljen renner over.
5. Sett inn og stram peilepinnen (C, Figur 4).

### Forlenget peilepinne, hvis montert

1. Ta ut peilepinnen (A, Figur 5) og tørk av den med en ren klut.
2. Sett inn og stram peilepinnen (A, Figur 5).
3. Ta ut peilepinnen og sjekk oljenivået. Riktig oljenivå er øverst på full-indikatoren (B, Figur 5) på peilepinnen.
4. Hvis oljenivået er lavt, fyller oljen sakte i motoroljepåfyllingen (C, Figur 5). **Ikke overfyll.** Etter å ha tilsatt olje, vent ett minutt og sjekk oljenivået på nytt.
5. Sett inn og stram peilepinnen (A, Figur 5).

## Varselsystem for lavt oljenivå (hvis montert)

Noen motorer er utstyrt med en sensor for lavt oljenivå. Hvis oljenivået er lavt, vil sensoren enten tenne en varsellampe eller stanse motoren. Stans motoren og utfør følgende trinn før motoren startes igjen.

- Sjekk at motoren står vannrett.
- Sjekk oljenivået. Se avsnittet om **SJEKING AV OLJENIVÅ**.
- Hvis oljenivået er lavt, fyll på riktig mengde olje. Start motoren og sjekk at varsellampen (hvis montert) ikke lyser.
- Ikke start motoren hvis oljenivået er for lavt. Ta kontakt med et autorisert Briggs & Stratton forhandlerverksted for å få oljeproblemet reparert.

# Anbefalt drivstoff

## Drivstoff må oppfylle disse kravene:

- Ren, ny, blyfri bensin.
- Minimum 87 oktan/87 AKI (91 RON). For bruk i store høyder, se nedenfor.
- Bensin med opptil 10% etanol (gasohol) kan brukes.

**OBS** Bruk aldri ikke-godkjent bensin, slik som E15 og E85. Ikke bland olje i bensinen eller endre motoren til å kjøre på alternative drivstoff. Bruk av drivstoff som ikke er godkjent vil forårsake at deler i motoren påføres skader som ikke er dekket av garantien.

Beskytt drivstoffsystemet mot gummidannelse ved å blande en drivstoffstabilisator i drivstoffet. Se **Lagring** Alt drivstoff er ikke det samme. Hvis det oppstår problemer med start eller ytelse, bytt drivstoff-leverandører eller skift merker. Denne motoren er sertifisert for bruk med bensin. Utslippskontrollsystemet for denne motoren er EM (Engine Modifications - Modifiseringer av motoren).

## Store høyder

I høyder på over 1524 meter (5000 fot) må det brukes minimum 85-oktan/85 AKI (89 RON) bensin.

Det er nødvendig å justere forgassermotorer for bruk i store høyder for å opprettholde ytelsen. Drift uten denne justeringen vil føre til redusert ytelse, økt drivstofforbruk, og økte utslipp. Kontakt en Briggs & Stratton-autorisert forhandler for informasjon ang. tilpasning til store høyder. Bruk av motoren i høyder under 762 meter (2500 fot) hvis den er justert for bruk i store høyder anbefales ikke.

Det er ikke nødvendig å justere motorer med elektronisk drivstoffinjeksjon (EFI) for bruk i store høyder.

## Tilfør drivstoff

Se figur: 6



**ADVARSEL**

Drivstoffer og deres gasser er meget brannfarlige og eksplosive.

En brann eller eksplosjon kan føre til alvorlige brannskader eller dødsulykker.

### Når drivstoff tilføres

- Slå av motoren og la den avkjøles i minst 2 minutter før du tar av tanklokket.
- Fyll drivstofftanken utendørs eller i godt ventilert område.
- Overfyll ikke drivstofftanken. For å gjøre plass til utvidelse av drivstoffet, ikke fyll opp til over bunnen på tankens hals.
- Hold drivstoff unna gnister, åpen flamme, sporebluss, varme og andre antenneskilder.
- Sjekk drivstoffslanger, tank, lokk og fester ofte for sprekker og lekkasjer. Skift ut om nødvendig.
- Hvis du har sølt drivstoff, må du vente til det har fordampet, før du starter opp motoren.

1. Rengjør tanklokk-området for smuss og rusk. Ta av tanklokket
2. fyll drivstofftanken (A, Figur 6) med drivstoff. For å gjøre plass til utvidelse av drivstoffet, ikke fyll opp til over bunnen på tankens hals. (B).
3. Sett lokket på drivstofftanken.

## Start og stans av motoren

Se Figur: 7, 8

### Start av motoren



**ADVARSEL**

Hurtig tilbakespoling av startsnoren (tilbakeslag) vil trekke hånden og armen din raskere mot motoren enn du klarer å slippe taket.

Dette kan føre til benbrudd, frakturer, blåmerker eller forstuing.

- Når du starter motoren, trekk startsnoren sakte ut til du begynner å kjenne motstand, og trekk den deretter raskt ut for å unngå tilbakeslag.



**ADVARSEL**

Drivstoff og drivstoffdamp er meget brannfarlig og eksplosiv.

En brann eller eksplosjon kan føre til alvorlige brannskader eller dødsfall.

### Når du starter motoren

- Sjekk at tennpluggen, eksosporten, lokket på drivstofftanken og luftfilteret (hvis montert) sitter godt på plass.
- Motoren må ikke dreies rundt hvis tennpluggen er fjernet.
- Hvis motoren drukner, sett choken (hvis montert) i stillingen OPEN / RUN (åpen/kjør), sett gassen (hvis montert) i stillingen FAST (hurtig) og drei motoren rundt til den starter.



**ADVARSEL**

**FARE FOR GIFTIG GASS** Eksosen fra motoren inneholder karbonmonoksid, en giftig gass som kan ta livet av deg i løpet av få minutter. Du **KAN IKKE se, lukte eller smake den. Selv om du ikke lukter eksos, kan du likevel bli utsatt for karbonmonoksid-gass. Hvis du begynner å føle deg kvalm, svimmel eller svak mens du bruker dette produktet, må du ØYEBLIKKEG stanse det og gå ut i frisk luft. Oppsøk lege. Det er mulig du er blitt forgiftet av karbonmonoksid.**

- Dette produktet må **KUN** brukes utendørs, og langt unna vinduer, dører og ventiler for å redusere risikoen for at karbonmonoksid gass kan samle seg opp og muligens trenge inn i bebodde arealer.
- Montere batteridrevne karbonmonoksid-alarmer eller innpluggbare karbonmonoksid-alarmer med batterireserve i henhold til produsentens veiledning. Røykvarslere registrerer ikke karbonmonoksid gass.
- Dette produktet må **IKKE** brukes inne i boliger, garasjer, kjellere, boder eller i andre delvis lukkede rom, selv om det brukes vifter eller åpne dører og vinduer som ventilasjon. Karbonmonoksid kan raskt bygge seg opp i slike rom, og kan bli værende på samme sted i flere timer, selv etter at dette produktet er slått av
- Dette produktet må **ALLTID** plasseres i medvind og med eksosutslippet vendt bort fra bebodde arealer.

**OBS** Denne motoren ble sendt fra Briggs & Stratton uten olje. Før motoren startes, må du sørge for å fylle på olje i henhold til anvisningene i denne håndboken. Hvis motoren startes uten olje, vil den skades slik at den ikke kan repareres, og den vil ikke være dekket av garantien.

**Merk:** Det kan hende at maskinen har fjernkontroller. Se håndboken som tilhører maskinen for plassering og bruk av fjernkontroller.

1. Sjekk motoroljen. Se avsnittet om **Sjeking av oljenivå**.
  2. Sjekk at maskinens drivkontroller, hvis montert, er koblet ut.
  3. Sett drivstoffkranen (A, Figur 7) i stillingen "open" (åpen).
  4. Sett gasspaken (C, Figur 7), hvis montert, i stillingen "fast" (hurtig). Motoren skal kjøres i stillingen "fast" (hurtig).
  5. Sett choken (B, Figur 7), i chokestillingen.
- Merk:** Det er som regel unødvendig å bruke choken når du starter en varm motor på nytt.
6. Press stoppbryteren (D, Figur 7), hvis montert, i stillingen "on" (på).
  7. **Snorstart, hvis montert:** Ta et godt tak i håndtaket på startsnoren (E, Figur 7). Trekk håndtaket på startsnoren sakte ut til du begynner å kjenne motstand, trekk deretter hardt til.



**ADVARSEL**

Hurtig tilbakespoling av startsnoren (tilbakeslag) vil trekke hånden og armen din raskere mot motoren enn du klarer å slippe taket. Dette kan føre til benbrudd, frakturer, blåmerker eller forstuing. Når du starter motoren, trekk startsnoren sakte ut til du begynner å kjenne motstand, og trekk den deretter raskt ut for å unngå tilbakeslag.

8. **Elektrisk start, hvis montert med sikkerhetsnøkkel (F):** Trykk inn sikkerhetsnøkkelen (F, Figur 7). Trykk et øyeblikk på startbryteren (G). Slipp startbryteren når motoren starter.
9. **Elektrisk start, hvis montert med nøkkelbryter av typen som brukes på biler (H):** Vri nøkkelbryteren (H, Figur 8) startstilling. Slipp nøkkelbryteren når motoren starter.

**OBS** Bruk korte startsyklusener for å forlenge starterens levetid (maks. fem sekunder). Vent ett minutt mellom startsyklusene.

10. Flytt choken (B, Figur 7) mot stillingen "run" (kjør) ettersom motoren varmes opp.

**Merk:** Hvis ikke motoren starter etter gjentatte forsøk, gå inn på **BRIGGSandSTRATTON.com** eller kontakt din lokale forhandler eller ring **1-800-233-3723** (i USA).

## Stans motoren



Drivstoff og drivstoffdamp er meget brannfarlig og eksplosiv.

En brann eller eksplosjon kan føre til alvorlige brannskader eller dødsfall.

- Motoren må ikke stanses ved å kvele forgasseren.
1. **Gasspak, hvis montert:** Skyv gasspaken (C, Figur 7) til sakte (slow) og deretter til stopp.  
**Stoppebryter, hvis montert** Sett stoppebryteren (D, Figur 7) på stopp.  
**Sikkerhetsnøkkel, hvis montert:** Ta ut sikkerhetsnøkkelen (F, Figur 7) og legg den på et trygt sted som er utilgjengelig for barn.  
**Nøkkelbryter, hvis montert:** Drei nøkkelbryteren (H, Figur 8) i stillingen "off" (av). Ta ut nøkkelen og legg den på et trygt sted som er utilgjengelig for barn.
  2. Sett drivstoffkranen (A, Figur 7) i stillingen "closed" (stengt) etter at motoren er stanset.

## Vedlikehold

**OBS** Hvis maskinen veltes under vedlikeholdsarbeidet, må drivstofftanken, hvis montert på motoren, være tom og siden der tennpluggen sitter må vende opp. Hvis drivstofftanken ikke er tom og hvis maskinen veltes i en annen retning, kan det bli vanskelig å starte den på grunn av olje- eller bensinutslipp til luftfilter og/eller tennplugg.



Når det er nødvendig å velte maskinen for å utføre vedlikehold, må drivstofftanken være tom, ellers kan drivstoff renne ut og forårsake brann eller eksplosjon.

Vi anbefaler at du tar kontakt med et Briggs & Stratton autorisert forhandlerverksted for å få utført alt vedlikeholdsarbeid og service av motoren og de tilhørende delene.

**OBS** Alle komponenter som er brukt i denne motoren må være montert for at den skal fungerer riktig.



En tilfeldig gnist kan forårsake brann eller elektrisk støt.

Utilsiktet oppstart kan resultere i infiltrering, traumatisk amputasjon eller sårskader.

Brannfare

Før justeringer eller reparasjoner utføres:

- Koble fra tennpluggledningen og fest den på avstand fra tennpluggen.
- Koble fra den negative batteripolen (gjelder kun motorer med elektrisk start).
- Bruk kun riktige verktøy.
- Ikke kluss med regulatorfjærene, forbindelsesleddene eller andre deler for å øke motorturtallet.
- Reservedeler må alltid være av samme type og monteres i samme posisjon som de originale delene. Andre deler kan muligens ikke yte like bra, kan skade enheten og kan resultere i skade.
- Slå aldri på svinghjulet med en hammer eller en annen hard gjenstand da svinghjulet kan sprekke senere under drift.

Testing av gnist:

- Bruk godkjent tennpluggtester.
- Ikke sjekk om det er gnist hvis tennpluggen er fjernet.

## Avgasskontrollservice

Vedlikehold, utskifting eller reparasjon av avgasskontroll-enheter og systemer kan utføres av ethvert verksted eller av enkeltindivider. Men for å oppnå "gratis" avgasskontroll-service, må arbeidet utføres av en fabrikkautorisert forhandler. Se erklæringene som gjelder avgasskontroll.

## Vedlikeholdsplan

De første 5 timene

• Skift olje
<b>Hver 8. time eller daglig</b>
• Sjekk motorens oljenivå • Rengjør området rundt eksospotten og kontrollene • Rens luftinntaksgitteret
<b>Hver 25. time eller en gang i året</b>
• Rens luftfilteret <sup>1</sup> • Rens forfilteret (hvis montert) <sup>1</sup>
<b>Hver 50. time eller en gang i året</b>
• Skift motorolje • Utfør vedlikehold av eksossystemet
<b>Hver 100. time</b>
• Skift olje i reduksjonsgiret (hvis montert)
<b>En gang i året</b>
• Skift tennplugg • Skift luftfiler • Skift ut forfilteret (hvis montert) • Skift ut drivstofffilteret (hvis montert) • Utfør vedlikehold av drivstoffsystemet • Utfør vedlikehold av kjølesystemet <sup>1</sup> • Sjekk ventilklaringen <sup>2</sup>

<sup>1</sup> Rengjør oftere hvis arbeidsforholdene er veldig støvete eller hvis mye rusk virvles opp i luften.

<sup>2</sup> Kun nødvendig hvis det oppstår problemer med motorens ytelse.

## Forgasser og motorhastighet

Forgasseren eller motorhastigheten må aldri endres. Forgasseren ble innstilt i fabrikk slik at den fungerer effektivt under de fleste forhold. Ikke kluss med regulatorfjæren, forbindelsesledd eller andre deler for å endre motorhastigheten. Hvis det er nødvendig å foreta justeringer, ta kontakt med et autorisert Briggs & Stratton forhandlerverksted for å få arbeidet utført.

**OBS** Maskinprodusenten spesifiserer maksimal hastighet for motoren som er montert på maskinen. Denne hastigheten må **ikke overskrides**. Hvis du er usikker på hva den maksimale hastigheten til maskinen er, eller hva slags motorhastighet som ble innstilt på fabrikk, ta kontakt med et autorisert Briggs & Stratton forhandlerverksted for å få hjelp. For at maskinen skal fungere på en trygg og riktig måte, må motorhastigheten kun justeres av en kvalifisert mekaniker.

## Vedlikehold av tennpluggen.

Se figur: 9

Sjekk elektrodeavstanden (A, Figur 9) med en trådlære (B). Juster elektrodeavstanden hvis det er nødvendig. Sett inn tennpluggen og stram den med anbefalt tiltrekningsmoment. For innstilling av elektrodeavstand eller tiltrekningsmoment, se under **Spesifikasjoner**.

**Merk:** På enkelte steder må man i henhold til lokale forskrifter bruke en tennplugg av resistortypen for å dempe tennings signaler. Hvis denne motoren opprinnelig hadde en resistortennplugg, må samme type benyttes ved utskifting.

## Vedlikehold av eksosystemet



Motorer som er i gang utvikler varme. Motordeler, spesielt eksospotter, blir meget varme.

Berøring av slike deler kan forårsake alvorlige brannskader.

Brennbart materiale, slik som løv, gress, småkratt osv., kan antennes.

- La eksospotte, motorsylinder og ribber avkjøles før de berøres.
- Ta bort oppsamlet rusk fra området rundt eksospotten og sylinderen.
- Det er et brudd på Californias Lov om offentlige ressurser, seksjon 4442, å bruke eller ha motoren i gang på et skogkledd, kratt-dekket, eller gresskledd stykke land

med mindre eksossystemet er utstyrt med en gnistfanger, slik dette er definert i seksjon 4442, og holdt i fullgod stand. Andre stater eller føderale jurisdiksjoner kan ha liknende lover. Kontakt maskinprodusenten, detaljisten eller forhandleren for å få en gnistfanger som er laget til eksossystemet installert på denne motoren.

Ta bort oppsamlet rusk fra området rundt eksospotten og sylindere. Sjekk om eksospotten har sprekker, korrosjon eller annen skade. Fjern ledeplaten eller gnistfangeren, hvis montert, og se etter skader eller karbonblokkering. Hvis det finnes skader, må delene skiftes ut før maskinen brukes.



#### ADVARSEL

Reservedeler må alltid være av samme type og monteres i samme posisjon som de originale delene. Andre deler kan muligens ikke yte like bra, kan skade enheten og kan resultere i personlige skader.

## Skift motorolje

Se Figur: 10, 11, 12

Brukt olje er et farlig avfallsprodukt og må behandles som spesialavfall. Må ikke kastes sammen med husholdningsavfall. Sjekk med lokale myndigheter, servicesenter eller forhandler angående offentlige kasserings-/gjenvinningsanlegg.

### Tømming av olje

1. Koble fra tennpluggledningen (D, Figur 10) mens motoren er slått av men fortsatt varm, og hold den unna tennpluggen (E).
2. Ta ut oljetappepluggen (F, Figur 11). Tapp av oljen på en godkjent beholder.

*Merk:* Hvilken som helst av oljetappepluggene (G, Figur 11) kan være montert i motoren.

3. Sett inn og stram oljetappepluggen (F, Figur 11) etter at oljen er tømt ut.

### Påfylling av olje

- Sjekk at motoren står vannrett.
- Rengjør området rundt oljepåfyllingen for å fjerne alt rusk.
- Se under **Spesifikasjoner** for oljekapasiteten.

### Oljepåfyllingslokk, hvis montert

1. Ta av oljepåfyllingslokket (H, Figur 11).
2. Hell oljen sakte i motoroljepåfyllingen (C, Figur 11). Fyll helt til oljen renner over.
3. Sett inn og stram oljepåfyllingspluggen (H, Figur 11).
4. Koble tennpluggledningen (D, Figur 10) til tennpluggen (E).

### Kort peilepinne, hvis montert

1. Ta ut peilepinnen (A, Figur 11) og tørk av den med en ren klut.
2. Hell oljen sakte i motoroljepåfyllingen (C, Figur 11). Fyll helt til oljen renner over.
3. Sett inn peilepinnen (A, Figur 11). **Ikke drei eller stram den.** Ta den ut og sjekk oljenivået. Riktig oljenivå er øverst på full-indikatoren (B) på peilepinnen.
4. Sett inn og stram peilepinnen (A, Figur 11).
5. Koble tennpluggledningen (D, Figur 10) til tennpluggen (E).

### Forlenget peilepinne, hvis montert

1. Ta ut peilepinnen (A, Figur 12) og tørk av den med en ren klut.
2. Hell oljen sakte i motoroljepåfyllingen (C, Figur 12). **Ikke overfyll.** Etter å ha tilsatt olje, vent ett (1) minutt og sjekk oljenivået på nytt.
3. Sett inn og stram peilepinnen (A, Figur 12).
4. Ta den ut og sjekk oljenivået. Riktig oljenivå er øverst på full-indikatoren (B, Figur 12) på peilepinnen.
5. Sett inn og stram peilepinnen (A, Figur 12).
6. Koble tennpluggledningen (D, Figur 10) til tennpluggen (E).

## Skift olje i reduksjonsgir

Se Figur: 13, 14

### 6:1 reduksjonsgir (Figur 13)

Hvis motoren er utstyrt med en 6:1 reduksjonsgir-enhet, skal vedlikeholdet utføres på følgende måte:

1. Fjern oljepåfyllingspluggen (A, Figur 13) og oljenivåpluggen (B).
2. Fjern oljetappepluggen (C, Figur 13) og tapp oljen i en godkjent beholder.
3. Sett inn og stram oljetappepluggen (C, Figur 13).
4. Fyll girolje sakte (se under **Spesifikasjoner**) i oljepåfyllingshullet (D, Figur 13). Fortsett å fylle helt til oljen renner ut av oljenivåhullet (E).
5. Sett inn og stram oljenivåpluggen (B, Figur 13).
6. Sett inn og stram oljepåfyllingspluggen (A, Figur 13).

*Merk:* Oljepåfyllingspluggen (A, Figur 13) har et ventilasjonshull (F) og må settes inn på toppen av girkassen slik som vist.

### 2:1 reduksjonsgir (Figur 14)

Det er ikke nødvendig å skifte olje i 2:1 reduksjonsgir-enheten (G, Figur 14).

## Utfør vedlikehold på luftfilteret

Se Figur: 15, 16, 17



#### ADVARSEL



**Drivstoff og drivstoffdamp er meget brannfarlig og eksplosiv.**

**En brann eller eksplosjon kan føre til alvorlige brannskader eller dødsfall.**

- Motoren må aldri startes og kjøres hvis luftfilterenheten (hvis montert) eller luftfilteret (hvis montert) er tatt av.

**OBS** Bruk ikke trykkluft eller løsemidler til å rengjøre filteret. Trykkluft kan skade filteret og løsemidler vil gjøre at filteret går i oppløsning.

Se **Vedlikeholdsplanen** for informasjon om service.

Motoren har enten et skumfilter eller et papirfilter, avhengig av modell. Enkelte modeller er også utstyrt med et forfilter som kan vaskes og brukes om igjen. Sammenligne illustrasjonene i denne håndboken med typen som er montert på din motor og utfør vedlikeholdet i henhold til dette.

### Luftfilter, papir

1. Løsne festet (festene) (A, Figur 15, 16).
2. Fjern dekslet (B, Figur 15, 16).
3. Fjern forfilteret (C, Figur 15, 16), hvis montert, og filteret (D).
4. Bank filteret (D, Figur 15, 16) forsiktig mot en hard fate for å løsne smuss. Hvis filteret er veldig skittent, bytt det ut med et nytt filter.
5. Vask forfilteret (C, Figur 15, 16), hvis montert, i flytende vaskemiddel og vann. La forfilteret lufttørkes slik at det er helt tørt. **Forfilteret skal ikke oljes.**
6. Sett det tørre forfilteret (C, Figur 15, 16), hvis montert, på filteret (D) med leppen (G) på forfilteret mot bunnen av filterfoldene.
7. Sett inn filteret (D, Figur 15, 16).
8. På modellene med luftfilteret som er vist i Figur 15, skal tappene på dekslet (E) settes inn i hullene (F).
9. Sett på dekslet (B, Figur 15, 16) og fest det med festet (festene) (A).

### Luftfilter, papir

1. Løsne festet (festene) (A, Figur 17).
2. Fjern dekslet (B, Figur 17).
3. Fjern forfilteret (C, Figur 17), hvis montert, og filteret (D).
4. Bank filteret (D, Figur 17) forsiktig mot en hard fate for å løsne smuss. Hvis filteret er veldig skittent, bytt det ut med et nytt filter.
5. Ta forfilteret (C, Figur 17), hvis montert av filteret (D).
6. Vask forfilteret (C, Figur 17), hvis montert, i flytende vaskemiddel og vann. La forfilteret lufttørkes slik at det er helt tørt. **Forfilteret skal ikke oljes.**
7. Sett det tørre forfilteret (C, Figur 17), hvis montert, på filteret (D).
8. Sett filteret (D, Figur 17) og forfilteret (C), hvis montert, inn i bunnen (E) og på stiftene (F). Sjekk at filteret sitter godt fast i bunnen.
9. Sett dekslet på luftfilteret (B, Figur 17) og fest det med festet (festene) (A). Sjekk at festet (festene) sitter stramt.



# Vedlikehold av drivstoffsystemet

Se figur: 18, 19



**Drivstoff og drivstoffdamp er meget brannfarlig og eksplosiv.**

**En brann eller eksplosjon kan føre til alvorlige brannskader eller dødsfall.**

- Hold drivstoff unna gnister, åpen flamme, sparebluss, varme og andre tennkilder.
- Sjekk drivstoffslanger, tank, lokk og fester ofte for sprekker og lekkasjer. Skift ut om nødvendig.
- Tøm drivstofftanken eller steng drivstoffkranen før du renser eller bytter drivstofffilteret.
- Hvis du har sølt drivstoff må du vente til den har fordampet før du starter opp motoren.
- Reservedelene må være av samme type og installeres i samme posisjon som originaldelene.

## Drivstoffilter, hvis montert

1. Tøm drivstofftanken eller steng drivstoffkranen før du renser eller skifter ut drivstofffilteret (A, Figur 18). Ellers kan drivstoff renne ut og forårsake brann eller eksplosjon.
2. Bruk en tang til å klemme tappene (B, Figur 18) på klemmene (C), skyv deretter klemmene bort fra drivstofffilteret (A). Vri og trekk drivstoffledningene (D) av drivstofffilteret.
3. Sjekk om det er sprekker eller lekkasjer i drivstoffledningene (D, Figur 18). Skift ut om nødvendig.
4. Drivstofffilteret (A, Figur 18) må erstattes med et originalt filter.
5. Fest drivstoffledningene (D, Figur 18) med klemmene (C) slik som vist.

## Drivstoffsil, hvis montert

1. Ta lokket av drivstofftanken (A, Figur 19).
2. Fjern drivstoffsilen (B, Figur 19).
3. Hvis drivstoffsilen er skitten, må den renses eller skiftes ut. Hvis drivstoffsilen skiftes ut, må du passe på at den nye silen er en original reservedel.

# Vedlikehold av kjølesystemet



**Motorer som er i gang utvikler varme. Motordeler, spesielt eksospotten, blir meget varme.**

**Berøring av slike deler kan forårsake alvorlige brannskader.**

**Brennbart materiale, slik som løv, gress, småkratt osv., kan antennes.**

- La eksospotte, motorsylinder og ribber avkjøles før de berøres.
- Ta bort oppsamlet rusk fra området rundt eksospotten og sylinderen.

**OBS** Motoren må aldri rengjøres med vann. Vann kan forurense drivstoffsystemet. Bruk en børste eller en tørr klut til å rengjøre motoren.

Dette er en luftkjølt motor. Skitt eller rust kan hemme luftstrømmen og føre til at motoren overopphetes slik at den gir dårlig ytelse og får kortere levetid.

1. Bruk en børste eller en tørr klut til å fjerne partikler fra luftinntaksgitteret.
2. Hold forbindelsesledd, fjær og kontroller rene.
3. Hold området rundt og bak eksospotten fritt for brennbart materiale.
4. Sjekk at oljekjølerribbene, hvis montert, er frie for smuss og rusk.

Rusk kan samle seg over tid i sylinderens kjøleribber og føre til at motoren overopphetes. Rusk kan ikke fjernes uten at motoren delvis demonteres. Be et autorisert Briggs & Stratton forhandlerverksted om å inspisere og rengjøre kjølesystemet slik som anbefalt i **Vedlikeholdsplanen**.

# Oppbevaring



**Drivstoff og drivstoffdamper er ekstremt lett antennelige og eksplosive.**

**Brann eller eksplosjon kan forårsake alvorlige brannskader eller død.**

## Ved oppbevaring av drivstoff eller utstyr med drivstoff i tank

- må det ikke oppbevares i nærheten av fyringsanlegg, ovner, varmtvannsberedere eller annet utstyr med tennflamme eller andre antenningskilder, da de kan antenne drivstoffdamp.

## Drivstoffsystemet

Se Figur: 20

Motoren skal stå vannrett (i normal driftsposisjon) under lagringen. Fyll drivstofftank (A, Figur 20) med drivstoff. For å gi plass til å la drivstoffet utvide seg, fyll ikke til over drivstofftankens hals (B).

Drivstoff kan bli ødelagt når det oppbevares lenger enn over 30 dager. Gammelt drivstoff forårsaker dannelse av syre og gummiavleiringer i drivstoffsystemet eller på vesentlige forgasserdelene. For å holde drivstoffet friskt, bruk **Briggs & Stratton Advanced Formula drivstofftilsetning og stabilisator**, tilgjengelig overalt hvor Briggs & Strattons ekte servicedeler selges.

Det er ikke nødvendig å tappe bensin fra motoren hvis en drivstoff-stabilisator tilsettes i samsvar med instruksjonene. Kjør motoren i to (2) minutter for å la stabilisatoren få sirkulere i hele drivstoffsystemet før lagring.

Hvis bensinen i motoren ikke har vært behandlet med en drivstoffstabilisator, bør den tappes ut og opp i en godkjent beholder. Kjør motoren til den stopper pga. mangel på drivstoff. Bruken av en drivstoffstabilisator i lagringstanken anbefales for å opprettholde ferskhet.

## Motorolje

Skift olje mens motoren ennå er varm. Se avsnittet om **Oljeskift**.

# Problemløsning

Hvis du trenger hjelp, ta kontakt med din lokale forhandler eller gå inn på **BRIGGSandSTRATTON.com** eller ring **1-800-233-3723** (i USA).

# Spesifikasjoner

Modell: 120000	
Sylindervolum	12.48 ci (205 cc)
Sylinderboring	2.688 in (65,28 mm)
Slaglengde	2.200 in (55,88 mm)
Oljekapasitet	18 - 20 oz (.54 - .59 L)
Oljetype for reduksjonsgir	80W-90
Oljekapasitet for reduksjonsgir	4 oz (0,12 L)
Tennpluggens elektrodeavstand	.030 in (.76 mm)
Tennpluggens tiltrekningsmoment	180 lb-in (20 Nm)
Tennspolens luftspalte	.010 - .014 in (.25 - .36 mm)
Klaring for inntaksventil	.004 - .006 in (.10 - .15 mm)
Klaring for eksosventil	.009 - .011 in (.23 - .28 mm)

Modell: 150000	
Sylindervolum	15.24 ci (250 cc)
Sylinderboring	2.970 in (75,44 mm)
Slaglengde	2.200 in (55,88 mm)
Oljekapasitet	18 - 20 oz (.54 - .59 L)
Oljetype for reduksjonsgir	80W-90
Oljekapasitet for reduksjonsgir	4 oz (0,12 L)
Tennpluggens elektrodeavstand	.030 in (.76 mm)
Tennpluggens tiltrekningsmoment	180 lb-in (20 Nm)
Tennspolens luftspalte	.010 - .014 in (.25 - .36 mm)
Klaring for inntaksventil	.004 - .006 in (.10 - .15 mm)
Klaring for eksosventil	.009 - .011 in (.23 - .28 mm)

Modell: 200000	
Sylindervolum	15.63 ci (305 cc)

Modell: 200000	
Sylinderboring	3.120 in (79,24 mm)
Slaglengde	2.438 in (61,93 mm)
Oljekapasitet	26 - 28 oz (,77 - ,83 L)
Oljetype for reduksjonsgir	SAE 30
Oljekapasitet for reduksjonsgir	12 oz (,35 L)
Tennpluggens elektrodeavstand	.030 in (,76 mm)
Tennpluggens tiltrekningsmoment	180 lb-in (20 Nm)
Tennspolens luftspalte	.008 - .012 in (,20 - ,30 mm)
Klaring for inntaksventil	.004 - .006 in (,10 - ,15 mm)
Klaring for eksosventil	.004 - .006 in (,10 - ,15 mm)

Modell: 210000	
Sylindervolum	20.85 ci (342 cc)
Sylinderboring	3.300 in (83,81 mm)
Slaglengde	2.438 in (61,93 mm)
Oljekapasitet	26 - 28 oz (,77 - ,83 L)
Oljetype for reduksjonsgir	SAE 30
Oljekapasitet for reduksjonsgir	12 oz (,35 L)
Tennpluggens elektrodeavstand	.030 in (,76 mm)
Tennpluggens tiltrekningsmoment	180 lb-in (20 Nm)
Tennspolens luftspalte	.008 - .012 in (,20 - ,30 mm)
Klaring for inntaksventil	.004 - .006 in (,10 - ,15 mm)
Klaring for eksosventil	.004 - .006 in (,10 - ,15 mm)

Motorens ytelse vil reduseres med 3,5% for hver 1 000 fot (300 meter) over havet, og med 1% for hver 10° F (5,6° C) over 77° F (25° C). Motoren vil fungere tilfredsstillende ved en vinkel på opp til 15°. Se maskinens brukerhåndbok for tillatt trygg arbeidsvinkel i bakker.

Reservedeler - Modell: 120000, 150000, 200000, 210000	
Reservedel	Del nummer
Flatt luftfilter	491588, 5043
Flatt luftfilter, forfilter	493537, 5064
Ovalt luftfilter (modeller 120000, 150000)	697029, 5059
Ovalt luftfilter, forfilter (modeller 120000, 150000)	273356
Ovalt luftfilter (modeller 200000, 210000)	695302
Ovalt luftfilter, forfilter (modeller 200000, 210000)	695303
Drivstoffilter	694485
Advanced Formula drivstofftilsetning & stabilisator	100117, 100120
Resistortennplugg	491055
Long Life Platinum tennplugg	5066
Tennpluggnøkkel	89838, 5023
Gnisttester	19368

Vi anbefaler at du tar kontakt med et autorisert Briggs & Stratton forhandlerverksted for å få utført alt vedlikeholdsarbeid og service av motoren og de tilhørende delene.

**Effektberegning:** Brutto effektberegning for individuelle bensinmotorer er merket i henhold til SAE-kode (Society of Automotive Engineers) J1940 Small Engine Power & Torque Rating Procedure, og er klassifisert i henhold til SAE J1995. Dreiemomentverdiene hentes ut ved 2600 RPM for motorer der "rpm" er nevnt på merket, og 3060 RPM for alle andre. Verdiene for hestekrefter hentes ut ved 3600 RPM. Bruttoeffektkurver kan sees på [www.BRIGGSandSTRATTON.COM](http://www.BRIGGSandSTRATTON.COM). Nettoeffektverdiene er målt med eksos- og luftfilter installert, mens bruttoeffektverdier er målt uten at disse er montert. Reell brutto motoreffekt vil være høyere enn netto motoreffekt og påvirkes av blant annet forhold i omgivelsene og variasjoner fra motor til motor. På grunn av det brede spektrret av produkter som motorene er montert på, kan det hende at en bensinmotor ikke vil oppnå nominell bruttoeffekt når den brukes i et bestemt stykke motordrevet utstyr. Denne forskjellen skyldes en rekke faktorer, inkludert, men ikke begrenset til, variasjonen i motordeler (luftfilter, eksos, lader, kjøleanlegg, forgasser, drivstoffpumpe osv.), begrensninger i bruk, forhold i omgivelsene (temperatur, fuktighet, høyde), og variasjoner fra motor til motor. Grunnet begrensninger i produksjon og kapasitet, kan Briggs & Stratton erstatte en motor med høyere nominell effekt for denne motoren.

## Garanti

### Briggs & Stratton motorgaranti

Gyldig fra januar 2017

#### Begrenset garanti

Briggs & Stratton garanterer at i løpet av garantiperioden slik som angitt nedenfor, vil foretaket sørge for å gratis reparere eller skifte ut alle deler som er defekt pga. svikt i materiale, evt. utførelse eller begge deler. Transportkostnader for et produkt som sendes inn for reparasjon eller utskifting av deler som faller inn under denne garantien, må dekkes av kjøperen. Denne garantien er kun gyldig for og er underlagt den tidsperioden og de vilkårene som er nevnt nedenfor. Finn nærmeste autoriserte servicesenter ved hjelp av forhandlerkartet på [BRIGGSandSTRATTON.COM](http://BRIGGSandSTRATTON.COM). Kjøperen må kontakte autorisert serviceforhandler og deretter gjøre produktet tilgjengelig for den autoriserte forhandleren for inspeksjon og testing.

**Det finnes ingen andre eksplisitte garantier. Underforståtte garantier, herunder om salgbarhet og egnethet for et bestemt formål er begrenset til garantitiden oppgitt nedenfor, eller til det som loven tillater.** Ansvar for tilfældige skader eller følgeskader er utelukket i den grad utelukkelse er tillatt ved lov. Noen stater eller land tillater ikke begrensninger på hvor lang tid en implisitt garanti gjelder og noen stater eller land tillater ikke utelukkelse eller begrensning av tilfældige skader eller følgeskader, slik at det er ikke sikkert at begrensningen eller utelukkelsen over gjelder for deg. Denne garantien gir deg spesifikke lovmessige og andre rettigheter som kan variere fra land til land<sup>4</sup>.

#### Standard garantivilkår 1, 2, 3

Merke / Produktnavn	Til bruk for forbrukere	Profesjonell bruk
Vanguard™; Kommerisiell serie	36 måneder	36 måneder
Motorer med Dura-Bore™ støpejernsforing	24 måneder	12 måneder
Alle andre motorer	24 måneder	3 måneder

<sup>1</sup> Dette er våre standard garantivilkår, men noen ganger kan det være ekstra garantidekning som ikke var bestemt på det tidspunktet dokumentasjonen gikk i trykken. For å se en liste over aktuelle garantivilkår for din maskin, gå inn på [BRIGGSandSTRATTON.com](http://BRIGGSandSTRATTON.com) eller henvend deg til ditt autoriserte Briggs & Stratton forhandlerverksted.

<sup>2</sup> Det er ingen garanti på motorer på utstyr som brukes til hoveddrivkraft istedet for hjelpedrivkraft eller til reservegeneratorer som brukes kommersielt. Motorer som er brukt til konkurransekjøring eller på kommersielle eller utleide baner er ikke dekket av garantien.

<sup>3</sup> Vanguard montert på reservegeneratorer: 24 måneder for privat bruk, ingen garanti for forretningsmessig bruk. Vanguard montert på nyttekjøretøy: 24 måneder for privat bruk, 24 måneder for forretningsmessig bruk. Kommerisiell serie med produksjonsdato før juli 2017, 24 måneders forbrukerbruk, 24 måneders forretningsmessig bruk.

<sup>4</sup> I Australia har våre varer garantier som ikke kan ekskluderes etter den australske forbrukerloven. Du har krav på erstatning eller refusjon for større svikt og kompensasjon for alt annet rimelig forutsigbart tap eller skade. Du har også rett til å få varene reparert eller skiftet ut dersom varene viser seg å ikke være av akseptabel kvalitet og svikten ikke er en stor svikt. For service under garantien, finn nærmeste autoriserte forhandlerverksted på kartet over forhandlere på [BRIGGSandSTRATTON.com](http://BRIGGSandSTRATTON.com), eller ved å ringe 1300 274 447, eller ved å sende e-post eller skrive til [salesenquiries@briggsandstratton.com.au](mailto:salesenquiries@briggsandstratton.com.au), Briggs & Stratton Australia Pty Ltd, 1 Moorebank Avenue, Moorebank, NSW, Australia, 2170.

Garantiperioden begynner på den originale salgsdatoen til første forbruker eller kommersielle kunde. Med "privat bruk" menes personlig bruk av en forbruker i tilknytning til en husholdning som har skaffet seg varen fra en detaljhandler. "Forretningsmessig bruk" betyr all annen bruk, inkludert bruk for kommersielt, forretningsmessig eller utleieformål. Så snart en motor er blitt anvendt til profesjonelt bruk, vil den deretter bli betraktet som en kommersiell motor med hensyn til garantien.

**Ta vare på kvitteringen som bevis på kjøp. Hvis du ikke skaffer til veie bevis på den opprinnelige kjøpsdatoen på det tidspunktet du gjør garantien gjeldende, vil produksjonsdatoen på produktet brukes til å fastsette garantiperioden. Produktregistrering er ikke nødvendig for å gjøre garantien gjeldende for Briggs & Stratton-produkter.**

#### Om din garanti

Denne begrensede garantien dekker kun defekter på materialer og/eller utførelse av arbeid på motoren, og ikke erstatning eller tilbakebetaling for utstyret som motoren eventuelt er montert på. Rutinemessig vedlikehold, trimming, justeringer eller normal slitasje dekkes ikke av denne garantien. Garantien er heller ikke gyldig hvis motoren er blitt endret eller modifisert eller hvis motorens serienummer er ødelagt eller fjernet. Denne garantien dekker ikke skader på motor eller problemer med ytelse forårsaket av:

1. Bruk av deler som ikke er originale Briggs & Stratton-deler;
2. Bruk av motoren med for lite olje, forurenset olje eller feil type olje;

3. Bruk av forurenset eller gammelt drivstoff, bensin som inneholder mer enn 10 % etanol, eller bruk av alternativt drivstoff slik som forskjellige typer flytende petroleum eller naturgass i motorer som ikke opprinnelig var konstruert/ produsert av Briggs & Stratton til å bruke slike drivstofftyper;
4. Smuss som har kommet inn i motoren som resultat av feil vedlikehold eller feil montering av luftfilteret;
5. At kniven på en roterende gressklipper har truffet en gjenstand, løse eller feil monterte knivadapere, viftehjul eller andre deler som er koblet til veivakselen, eller at v-remmen er for stram;
6. Tilhørende deler eller enheter slik som kløtsjer, transmisjoner, kontroller for utstyr osv. som ikke er levert av Briggs & Stratton;
7. Overoppheting som resultat av at gressrester, rusk og partikler eller musereir blokkerer eller tetter igjen kjøleribbene eller svinghjulet, eller skader forårsaket av at motoren er blitt brukt på steder uten tilstrekkelig ventilasjon;
8. Sterk vibrasjon forårsaket av for høyt turtall, at motoren sitter løst, løstsittende eller ubalanserte kniver eller viftehjul, eller at utstyr er feil montert på veivakselen;
9. Feil bruk, manglende rutinemessig vedlikehold, transport, håndtering eller lagring av utstyr, eller feil montering av motoren.

**Garantiservice er kun tilgjengelig gjennom Briggs & Strattons autoriserte servicesentere. Finn ditt nærmeste autoriserte forhandlerverksted på vårt kart over forhandlere på [BRIGGSandSTRATTON.COM](http://BRIGGSandSTRATTON.COM) eller ved å ringe 1-800-233-3723 (in USA).**

80004537 (Rev. C)

Not for  
Reproduction

Este manual contém informações de segurança para o informar dos perigos e riscos associados à máquina e de como evitá-los. Contém igualmente instruções para usar e cuidar adequadamente do motor. Dado que a Briggs & Stratton Corporation não conhece necessariamente que equipamento este motor vai accionar, é importante que leia e compreenda estas instruções e as instruções relativas ao equipamento. **Guarde estas instruções originais para consulta futura.**

*Nota:* As figuras, ilustrações e imagens neste manual são apenas para referência, e podem diferir do seu modelo específico. Contacte o seu concessionário se tiver alguma dúvida.

Para solicitar peças de substituição ou assistência técnica, registre o modelo do motor, o tipo e os códigos numéricos bem como a data de aquisição. Estes números encontram-se no seu motor (consulte a secção **Características e Controlos**).

Data de aquisição	
Modelo do Motor - Tipo - Guarnição	
Número de Série do Motor	

Procure o código de barras 2D que se encontra em alguns motores. Quando visualizado com um dispositivo 2D adequado, o código revela o nosso website onde pode aceder a informações de apoio para este produto. Aos dados aplicam-se taxas. Em alguns países podem não estar disponíveis informações de apoio on-line.



## Segurança do utilizador

### Símbolo de Alerta de Segurança e Palavras-sinal

O símbolo de alerta de segurança é usado para identificar informação de segurança sobre perigos que possam provocar ferimentos pessoais. É utilizada, com o sinal, uma palavra (PERIGO, ATENÇÃO ou CUIDADO) para identificar a probabilidade e a potencial gravidade dos ferimentos. Para além disso, pode ser utilizado um símbolo de perigo para representar o tipo de perigo.

**PERIGO** indica um perigo que, caso não seja evitado, **irá resultar em morte ou ferimentos graves.**

**ATENÇÃO** indica um perigo que, caso não seja evitado, **pode resultar em morte ou ferimentos graves.**

**CUIDADO** indica um perigo que, caso não seja evitado, **pode resultar em ferimentos ligeiros ou moderados.**

**AVISO** indica uma situação que **pode resultar em danos para o produto.**

### Símbolos de Segurança e Respective Significados

Símbolo	Significado	Símbolo	Significado
	Informação de segurança sobre perigos que possam provocar ferimentos pessoais.		Deve ler e compreender o Manual do Utilizador antes de trabalhar ou intervir na unidade.
	Perigo de incêndio		Perigo de explosão.
	Perigo de choque		Perigo de fumos tóxicos

Símbolo	Significado	Símbolo	Significado
	Perigo de superfície quente		Perigo de ruído - Recomendável colocar protecção auricular em usos prolongados.
	Perigo de projecção de objectos - Colocar protecção ocular.		Perigo de explosão.
	Perigo de queimadura pelo frio		Perigo de contragolpe (coice)
	Perigo de amputação - peças móveis		Perigo químico
	Perigo térmico		Corrosivo

## Mensagens de Segurança

### ADVERTÊNCIA

Certos componentes neste produto e os seus acessórios relacionados contêm produtos químicos conhecidos pelo Estado da Califórnia por provocar cancro, malformações congénitas, ou outros danos reprodutivos. Lave as mãos após manuseamento.

### ADVERTÊNCIA

O escape do motor deste produto contém produtos químicos conhecidos pelo Estado da Califórnia por provocar cancro, malformações congénitas, ou outros danos reprodutivos.

### ADVERTÊNCIA

Os motores da Briggs & Stratton não foram concebidos nem devem ser usados para accionar: karts de diversão; karts reais; veículos todo-terreno desportivos, para crianças, ou recreativos (ATV); motos; hovercraft; produtos aeronáuticos; ou veículos usados em provas de competição não aprovadas pela Briggs & Stratton. Para obter informações sobre produtos de competição, consulte [www.briggsracing.com](http://www.briggsracing.com). Se pretender usar com ATV utilitários e "side-by-side", deve contactar o Briggs & Stratton Engine Application Center, 1-866-927-3349. A aplicação inadequada de motores pode provocar a morte ou ferimentos graves.

### ADVERTÊNCIA

O combustível e os seus vapores são extremamente inflamáveis e explosivos.

Um incêndio ou explosão podem causar queimaduras graves ou a morte.

#### Quando Adicionar Combustível

- Desligue o motor e deixe-o arrefecer durante pelo menos 2 minutos antes de remover o tampão do combustível.
- Encha o depósito de combustível ao ar livre ou numa área bem ventilada.
- Não encha demais o depósito de combustível. Para permitir a expansão do combustível, não encha acima do fundo do pescoço do depósito de combustível.
- Mantenha o combustível afastado de faíscas, chamas abertas, chamas piloto, calor, e outras fontes de ignição.
- Verifique se existem rachas ou fugas nas linhas do combustível, depósito, tampão e acessórios. Substitua se necessário.
- Se derramar combustível, aguarde até que este evapore antes de colocar o motor em funcionamento.

#### Quando colocar o Motor em funcionamento

- Assegure que a vela de ignição, silenciador, tampão do combustível e purificador do ar (se instalado) estão em posição e fixos.
- Não acione o motor com a vela de ignição removida.
- Se o motor estiver imerso em óleo, defina o estrangulador (se instalado) para a posição OPEN/RUN (ABERTO/FUNIONAMENTO), desloque a válvula reguladora (se instalada) para a posição FAST (RÁPIDO) e acione até que o motor arranque.

#### Quando Operar o Equipamento

- Não incline o motor ou o equipamento ao ponto de derramar combustível.
- Não estrangule o carburador para parar o motor.
- Nunca coloque em funcionamento ou opere o motor com o conjunto do purificador do ar (se instalado) ou o filtro do ar (se instalado) removidos.

#### Quando Mudar o Óleo

- Se drenar o óleo a partir do tubo de enchimento de óleo superior, o depósito de combustível deve estar vazio ou o combustível pode vazar e resultar num incêndio ou explosão.

#### Ao inclinar a unidade para manutenção

- Ao executar uma intervenção de manutenção que exija inclinar a unidade, o depósito de combustível, se estiver montado no motor, deve estar vazio ou o combustível pode vazar e provocar um incêndio ou uma explosão.

#### Quando Transportar o Equipamento

- Transportar com o depósito de combustível VAZIO ou com a válvula de corte de combustível na posição CLOSED (FECHADA).

#### Quando Armazenar Combustível Ou Equipamento com Combustível No Depósito

- Armazene afastado de fomalhas, fogões, aquecedores de água ou outros aparelhos que tenham chamas piloto ou outras fontes de ignição porque estas podem incendiar os vapores do combustível.



**ADVERTÊNCIA**

A ligação do motor provoca faísca.

A faísca pode inflamar os gases inflamáveis próximos.

Pode resultar em explosão e incêndio.

- Se houver fuga de gás natural ou GPL na área, não ligue o motor.
- Não utilize fluidos de arranque pressurizados porque os vapores são inflamáveis.



**ADVERTÊNCIA**

**PERIGO DE GÁS VENENOSO** O escape do motor contém monóxido de carbono, um gás venenoso que pode ser fatal em poucos minutos. NÃO é visível, NÃO tem cheiro, NÃO tem sabor. Mesmo que não sinta o cheiro dos gases de escape, não deixa de estar exposto ao gás monóxido de carbono. Se começar a sentir-se doente, com tonturas ou fraqueza ao usar este produto, dirija-se DE IMEDIATO para um local bem ventilado. Consulte um médico. Pode estar com envenenamento por monóxido de carbono.

- Opere este produto APENAS no exterior, afastado das janelas, portas e aberturas, para reduzir o risco de acumulação de gás de monóxido de carbono e potencialmente ser atraído para espaços ocupados.
- Instale alarmes de monóxido de carbono alimentados a bateria ou de ligação à corrente com bateria de emergência em conformidade com as instruções do fabricante. Os detetores de fumos não detetam o monóxido de carbono gasoso.
- NÃO use este produto no interior de habitações, garagens, caves, espaços com pouca altura, estábulo, ou outros espaços parcialmente fechados ainda que possam existir ventiladores ou portas e janelas abertas para ventilação. O monóxido de carbono pode acumular-se rapidamente nesses espaços e aí permanecer durante horas, mesmo depois de desligar este produto.
- Coloque SEMPRE este produto num local a favor do vento e aponte o escape do motor afastando-o de espaços ocupados.



**ADVERTÊNCIA**

A retracção rápida do cabo de arranque (coice) irá puxar as mãos e os braços na direcção do motor mais rapidamente do que consegue evitar.

Tal pode provocar ossos partidos, fracturas, hematomas ou entorses.



**ADVERTÊNCIA**

As peças rotativas podem tocar ou prender as mãos, pés, cabeça, roupa ou acessórios.

Daqui pode resultar uma amputação traumática ou laceração grave.

- Opere o equipamento com as proteções colocadas.
- Mantenha as mãos e os pés afastados de peças em rotação.
- Prenda o cabelo longo e remova as jóias.
- Não utilize vestuário solto, cordões pendentes ou outros itens que possam ficar presos.



**ADVERTÊNCIA**

O funcionamento dos motores produz calor. As peças do motor, em particular o silenciador, ficam extremamente quentes.

Queimaduras térmicas graves podem ocorrer por contacto.

Entulhos combustíveis, tal como folhas, relva, mato, etc. podem incendiar-se.

- Deixe que o silenciador, o cilindro do motor e palhetas arrefeçam antes de tocar neles.
- Remova o entulho acumulado da área do silenciador e da área do cilindro.
- É uma violação do Código de Recursos Públicos da Califórnia, Secção 4442, usar ou operar o motor em ou perto de qualquer terreno de cobertura florestal, cobertura de arbustos, ou cobertura de relva, a menos que o sistema de escape esteja equipado com um para-chispas que cumpra com todas as leis locais ou estatais aplicáveis. Outras jurisdições estatais ou federais podem ter leis semelhantes. Contacte o fabricante de equipamento original, revendedor ou concessionário, para obter um detentor de faíscas concebido para o sistema de escape instalado neste motor.



**ADVERTÊNCIA**

A ignição involuntária pode resultar num incêndio ou choque eléctrico.

O arranque involuntário pode provocar emaranhamento, amputação traumática, ou laceração.

Perigo de Incêndio

Antes de realizar ajustes ou reparos:

- Desligue o fio da vela de ignição e mantenha-o afastado da vela de ignição.
- Desligue a bateria no terminal negativo (apenas motores com arranque eléctrico).
- Utilize apenas as ferramentas correctas.
- Não tente alterar a mola do regulador do motor, ligações ou outras peças para aumentar a velocidade do motor.
- As peças de substituição devem ter o mesmo desenho e ser instaladas na mesma posição que as peças originais. Outras peças podem não funcionar tão bem, podem danificar a unidade, e podem resultar em lesões.
- Não golpeie o volante do motor com um martelo ou outro objeto duro porque o volante pode mais tarde quebrar durante o funcionamento.

Quanto testar a faísca:

- Use o dispositivo de teste de vela de ignição aprovado.
- Não teste a existência de faíscas com a vela de ignição removida.



## Características e Controlos

### Controlos do Motor

Compare a imagem (Figura: 1, 2, 3) com o seu motor para se familiarizar com a localização das diferentes características e controlos.

- A. Números de Identificação do Motor **Modelo - Tipo - Código**
- B. Vela de Ignição
- C. Filtro de ar (plano ou oval)
- D. Controlo do estrangulador
- E. Corte de combustível (se instalado)
- F. Manipulo do cabo de arranque
- G. Grelha de admissão de ar
- H. Controlo da válvula reguladora (se instalado)
- I. Interruptor de paragem (se instalado)
- J. Depósito de combustível e tampão
- K. Vareta saliente (quando instalada)
- L. Vareta curta (quando instalada)
- M. Bujão de Drenagem de Óleo
- N. Tubo de enchimento de óleo
- O. Silenciador, protecção do cano de escape (se instalada), pára-chispas (se instalado)
- P. Chave de segurança (modelos de arranque eléctrico)
- Q. Interruptor ON/OFF (modelos de arranque eléctrico)
- R. Unidade do redutor (se instalado)
- S. Interruptor de chave (modelos de arranque eléctrico)

## Símbolos de Segurança do Motor e Respetivos Significados

Símbolo	Significado	Símbolo	Significado
	Velocidade do motor - FAST (RÁPIDA)		Velocidade do motor - SLOW (LENTA)
	Velocidade do motor - STOP (PARADO)		ON - OFF (LIGAR - DESLIGAR)
	Arranque do motor - Estrangulador CLOSED (FECHADO)		Arranque do motor - Estrangulador OPEN (ABERTO)
	Tampão do combustível Válvula de corte de combustível - OPEN (ABERTA)		Válvula de corte de combustível - CLOSED (FECHADA)
	Nível de combustível - Máximo Não encher demais.		

## Funcionamento

### Recomendações de Óleo

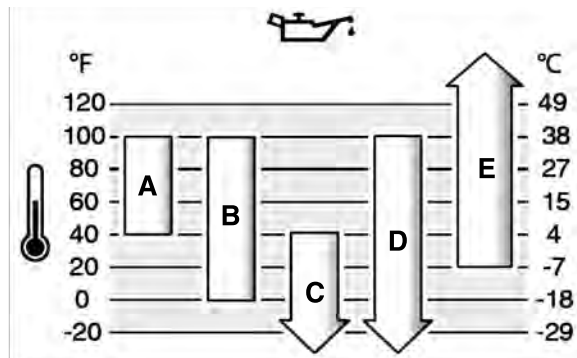
Capacidade de óleo: Veja a **secção de** Especificações.

#### AVISO

Este motor foi enviado da Briggs & Stratton sem óleo. Os fabricantes ou revendedores de equipamentos podem ter adicionado óleo ao motor. Antes de colocar o motor em funcionamento pela primeira vez, certifique-se de verificar o nível de óleo e adicionar óleo de acordo com as instruções neste manual. Se colocar o motor em funcionamento sem óleo, este ficará danificado sem reparação e não será coberto pela garantia.

Recomendamos o uso de óleos Certificados com Garantia da Briggs & Stratton para um melhor desempenho. Outros óleos detergentes de elevada qualidade são aceitáveis se classificados para o serviço SF, SG, SH, SJ ou superior. Não use aditivos especiais.

As temperaturas exteriores determinam a viscosidade de óleo adequada para o motor. Utilize a tabela para selecionar a melhor viscosidade para o intervalo de temperatura exterior esperado. Os motores na maioria dos equipamentos de energia ao ar livre funcionam bem com óleo sintético 5W-30. Para equipamentos utilizados em temperaturas quentes, o óleo sintético Vanguard™ 15W-50 fornece a melhor protecção.



A	SAE 30 - Abaixo de 4 °C (40 °F) a utilização de SAE 30 irá resultar num arranque complicado.
B	10W-30 - Acima de 27 °C (80 °F) a utilização de 10W-30 pode causar o aumento do consumo de óleo. Verifique o nível de óleo mais frequentemente.
C	5W-30
D	Sintético 5W-30
E	Vanguard™ Synthetic 15W-50

## Verifique o nível do óleo

Ver Figura: 4, 5

### Antes de adicionar ou verificar o óleo

- Certifique-se de que a unidade está nivelada.
- Limpe a área de enchimento do óleo de quaisquer entulhos.

### Tampão do óleo, quando instalado

1. Remova o tampão do óleo (A, Figura 4).
2. Se o nível de óleo estiver baixo, adicione óleo lentamente no depósito de óleo do motor (B, Figura 4). Encha até transbordar.
3. Recoloque e aperte o tampão do óleo (A, Figura 4).

### Vareta curta, quando instalada

1. Remova a vareta (C, Figura 4) e limpe com um pano limpo.
2. Coloque a vareta (C, Figura 4). **Não rode nem aperte.**
3. Remova a vareta e verifique o nível do óleo. Verifique se o nível do óleo está no topo do indicador (D, Figura 4) na vareta.
4. Se o nível de óleo estiver baixo, adicione óleo lentamente no depósito de óleo do motor (B, Figura 4). Encha até transbordar.
5. Recoloque e aperte a vareta (C, Figura 4).

### Vareta saliente, se instalada

1. Remova a vareta (A, Figura 5) e limpe com um pano limpo.
2. Coloque e aperte a vareta (A, Figura 5).
3. Remova a vareta e verifique o nível do óleo. Verifique se o nível do óleo está no topo do indicador (B, Figura 5) na vareta.
4. Se o nível de óleo estiver baixo, adicione óleo lentamente no depósito de óleo do motor (C, Figura 5). **Não encher demais.** Depois de adicionar o óleo, aguarde um minuto e depois volte a verificar o nível do óleo.
5. Recoloque e aperte a vareta (A, Figura 5).

## Sistema de protecção de baixo nível de óleo (caso exista)

Alguns motores estão equipados com um sensor de baixo nível de óleo. Se o nível de óleo estiver baixo, o sensor pode activar um dispositivo de aviso ou desligar o motor. Desligue o motor e siga os passos indicados antes de ligar de novo o motor.

- Certifique-se de que a unidade está nivelada.
- Verifique o nível do óleo. Consulte a secção **Verificar nível de óleo**.
- Se o nível de óleo estiver baixo, acrescente a quantidade de óleo adequada. Ligue o motor e verifique se o dispositivo de aviso (caso exista) não está activado.
- Se o nível de óleo não estiver baixo, não ligue o motor. Contacte um Concessionário de Assistência Autorizado Briggs & Stratton para corrigir o problema do óleo.

## Recomendações de Combustível

O combustível deve cumprir com estes requisitos:

- Gasolina limpa, fresca e sem chumbo.
- Um mínimo de 87 octanas/87 AKI (91 RON). Uso em altitude elevada, ver em baixo.
- Gasolina com até 10% de etanol (gasool) é aceitável.

**AVISO** Não use gasolinas não aprovadas, tal como a E15 e a E85. Não misture óleo na gasolina nem modifique o motor para funcionar com combustíveis alternativos. O uso de combustíveis não aprovados provocará danos nos componentes do motor e anulará a garantia do motor.

Para proteger o sistema de combustível da formação de goma, misture um estabilizador de combustível no combustível. Ver **Armazenagem**. Os combustíveis não são todos iguais. Se ocorrerem problemas de arranque ou de desempenho, troque de fornecedores de combustível ou troque de marcas. Este motor está certificado para funcionar com gasolina. O sistema de controlo de emissões para este motor é EM (Modificações do Motor).

### Altitude Elevada

A altitudes acima dos 1524 metros (5000 pés), é aceitável uma gasolina com um mínimo de 85 octanas/85 AKI (89 RON).

Para motores com carburador, o ajuste de altitude elevada é necessário para manter o desempenho. A operação sem este ajuste irá causar uma diminuição de desempenho, o aumento do consumo de combustível e o aumento das emissões. Consulte um Concessionário Autorizado da Briggs & Stratton para informações sobre o ajuste para grande altitude. A operação do motor a altitudes abaixo dos 762 metros (2.500 pés) com o kit de altitude elevada não é recomendada.

Para motores com Injecção Electrónica de Combustível (EFI), não é necessário qualquer ajuste de altitude elevada.

## Adicionar combustível

Ver Figura: 6



O combustível e os seus vapores são extremamente inflamáveis e explosivos.

Um incêndio ou explosão podem causar queimaduras graves ou a morte.

### Quando Adicionar Combustível

- Desligue o motor e deixe-o arrefecer durante pelo menos 2 minutos antes de remover o tampão do combustível.
  - Encha o depósito de combustível ao ar livre ou numa área bem ventilada.
  - Não encha demais o depósito de combustível. Para permitir a expansão do combustível, não encha acima do fundo do pescoço do depósito de combustível.
  - Mantenha o combustível afastado de faíscas, chamas abertas, chamas piloto, calor, e outras fontes de ignição.
  - Verifique se existem rachas ou fugas nas linhas do combustível, depósito, tampão e acessórios. Substitua se necessário.
  - Se derramar combustível, aguarde até que este evapore antes de colocar o motor em funcionamento.
1. Limpe a área do tampão de combustível de sujidade e entulho. Remova o tampão do combustível.
  2. Encha o depósito de combustível (A, Figura 6) com combustível. Para permitir a expansão do combustível, não encha acima do fundo do pescoço do depósito de combustível (C).
  3. Instale de novo o tampão do combustível.

## Ligar e Desligar o motor

Ver Figura: 7, 8

### Ligar o Motor



A retracção rápida do cabo de arranque (coice) irá puxar as mãos e os braços na direcção do motor mais rapidamente do que consegue evitar.

Tal pode provocar ossos partidos, fracturas, hematomas ou entorses.

- Ao colocar o motor em funcionamento, puxe o cabo de arranque lentamente até sentir resistência, e depois puxe rapidamente para evitar o coice.



O combustível e os seus vapores são extremamente inflamáveis e explosivos.

Um incêndio ou explosão podem causar queimaduras graves ou a morte.

### Quando Colocar o Motor em Funcionamento

- Assegure que a vela de ignição, silenciador, tampão do combustível e purificador do ar (se instalado) estão em posição e fixos.
- Não accione o motor com a vela de ignição removida.
- Se o motor estiver imerso em óleo, defina o estrangulador (se instalado) para a posição OPEN/RUN (ABERTO/FUNIONAMENTO), desloque a válvula reguladora (se instalada) para a posição FAST (RÁPIDO) e accione até que o motor arranque.



**PERIGO DE GÁS VENENOSO** O escape do motor contém monóxido de carbono, um gás venenoso que pode ser fatal em poucos minutos. NÃO é visível, NÃO tem cheiro, NÃO tem sabor. Mesmo que não sinta o cheiro dos gases de escape, não deixa de estar exposto ao gás monóxido de carbono. Se começar a sentir-se doente, com tonturas ou fraqueza ao usar este produto, desligue-o e dirija-se DE Imediato para um local bem ventilado. Consulte o médico. Pode estar com envenenamento por monóxido de carbono.

- Trabalhe com este produto UNICAMENTE no exterior, longe de janelas, portas e entradas de ventilação para reduzir o risco de acumulação de monóxido de carbono gasoso e do possível arrastamento para espaços frequentados.
- Instale alarmes de monóxido de carbono alimentados a bateria ou de ligação à corrente com bateria de emergência em conformidade com as instruções do fabricante. Os detectores de fumos não detectam o monóxido de carbono gasoso.
- NÃO use este produto no interior de habitações, garagens, caves, espaços com pouca altura, estábulos, ou outros espaços parcialmente fechados ainda que possam existir ventiladores ou portas e janelas abertas para ventilação. O monóxido de carbono pode acumular-se rapidamente nesses espaços e aí permanecer durante horas, mesmo depois de desligar este produto.
- Coloque SEMPRE este produto num local a favor do vento e aponte o escape do motor afastando-o de espaços ocupados.

**AVISO** Este motor foi enviado da Briggs & Stratton sem óleo. Antes de colocar o motor em funcionamento, assegure-se que adiciona óleo de acordo com as instruções neste manual. Se colocar o motor em funcionamento sem óleo, este ficará danificado sem reparação e não será coberto pela garantia.

*Nota:* O equipamento pode ter controlos à distância. Consulte no manual do equipamento a localização e o funcionamento dos controlos à distância.

1. Verifique o óleo do motor. Consulte a secção **Verificar nível de óleo**.
2. Assegure-se que os controlos de direcção do equipamento estão desengatados.
3. Rode a válvula de corte de combustível (A, Figura 7) para a posição de open (aberta).
4. Desloque o controlo da válvula reguladora (C, Figura 7), se instalado, para a posição de fast (rápido). Opere o motor na posição de rápido.
5. Desloque o controlo do estrangulador (B, Figura 7), para a posição de estrangulamento.

*Nota:* O estrangulamento é normalmente desnecessário quando reiniciar um motor quente.

6. Empurre o interruptor de paragem (D, Figura 7), se instalado, para a posição on (ligado).
7. **Arranque manual, se instalado:** Segure firmemente o manípulo do cabo de arranque (E, Figura 7). Puxe o manípulo do cabo de arranque lentamente até sentir resistência, depois puxe rapidamente.





## ADVERTÊNCIA

A retracção rápida do cabo de arranque (coice) irá puxar as mãos e os braços na direcção do motor mais rapidamente do que consegue evitar. Tal pode provocar ossos partidos, fracturas, hematomas ou entorses. Ao colocar o motor em funcionamento, puxe o cabo de arranque lentamente até sentir resistência, e depois puxe rapidamente para evitar o coice.

8. **Arranque eléctrico, quando equipado com Chave de segurança (F):** Empurre a chave de segurança para dentro (F, Figura 7). Carregue momentaneamente no interruptor de arranque (G). Quando o motor arrancar, solte o interruptor de arranque.
9. **Arranque eléctrico, quando equipado com Interruptor de chave automóvel (H):** Rode o interruptor de chave (H, Figura 8) para a posição start (arranque). Logo que o motor arrancar, solte o interruptor de chave.

**AVISO** Para aumentar a vida do motor de arranque, use ciclos de arranque curtos (máximo de cinco segundos). Aguarde um minuto entre ciclos de arranque.

10. À medida que o motor aquece, desloque o controlo do estrangulador (B, Figura 7) para a posição run (funcionamento).

*Nota:* Se o motor não funcionar após várias tentativas, vá ao **BRIGGSandSTRATTON.COM**, contacte o seu concessionário local ou ligue para **1-800-233-3723** (nos EUA).

## Desligar o motor



## ADVERTÊNCIA

O combustível e os seus vapores são extremamente inflamáveis e explosivos.

Um incêndio ou explosão podem causar queimaduras graves ou a morte.

- Não estrangule o carburador para parar o motor.
1. **Controlo da válvula reguladora, se instalado:** Desloque a alavanca de aceleração (C, Figura 7) para a posição slow (lenta) e, depois, para a posição stop (parada).  
**Interruptor de paragem, se instalado:** Desloque o interruptor de paragem (D, Figura 7) para a posição stop (parado).  
**Chave de segurança, se instalada:** Remova a chave de segurança (F, Figura 7) e guarde-a num local seguro fora do alcance de crianças.  
**Interruptor de chave, se instalado:** Rode o interruptor de chave (H, Figura 8) para a posição off (desligado). Remova a chave e guarde-a num local seguro fora do alcance de crianças.
  2. Depois do motor parar, rode a válvula de corte de combustível (A, Figura 7) para a posição closed (fechada).

## Manutenção

**AVISO** Se o motor estiver inclinado durante a manutenção, o depósito de combustível, se estiver montado no motor, deve estar vazio e o lado da vela de ignição deve estar para cima. Se o depósito de combustível não estiver vazio e se o motor for inclinado em qualquer outra direcção, pode ser difícil de arrancar devido a óleo ou gasolina a contaminar o filtro do ar e/ou a vela de ignição.



## ADVERTÊNCIA

Ao executar uma intervenção de manutenção que exija inclinar a unidade, o depósito de combustível, se estiver montado no motor, deve estar vazio ou o combustível pode vaziar e provocar um incêndio ou uma explosão.

Recomendamos que visite um Concessionário de Assistência Autorizado Briggs & Stratton para qualquer intervenção de manutenção e assistência do motor e peças do motor.

**AVISO** Todos os componentes usados na construção deste motor devem permanecer montados para um funcionamento adequado.



## ADVERTÊNCIA

Qualquer ignição involuntária pode originar um incêndio ou choque eléctrico.

Qualquer arranque involuntário pode originar emaranhamento, amputação traumática, ou laceração.

### Perigo de incêndio

#### Antes de executar qualquer ajuste ou reparação:

- Desligue o fio da vela de ignição e mantenha-o afastado da vela de ignição.
- Desligue a bateria e o terminal negativo (só em motores com arranque eléctrico.)
- Use apenas as ferramentas adequadas.
- NÃO modifique a mola de controlo, as ligações ou outras peças para aumentar a velocidade do motor.
- As peças de substituição têm de ser iguais às peças originais e devem ser instaladas nas mesmas posições. Outras peças podem não ter o mesmo bom desempenho, podem danificar a unidade e podem provocar ferimentos.
- Não golpeie o volante do motor com um martelo ou outro objecto duro porque o volante pode mais tarde quebrar durante o funcionamento.

#### Ao testar a ignição:

- Utilize um verificador de velas de ignição aprovado.
- Não teste a existência de faíscas com a vela de ignição removida.

## Manutenção do Controlo de Emissões

A manutenção, substituição, ou reparação dos dispositivos e sistema de controlo de emissões podem ser levadas a cabo por qualquer entidade individual ou colectiva de reparação de motores todo-terreno. Todavia, para obter a manutenção de controlo de emissões "isenta de custos", o trabalho tem de ser executado por um concessionário autorizado de fábrica. Ver as Declarações de Controlo de Emissões.

## Plano de Manutenção

<b>Primeiras 5 Horas</b>
<ul style="list-style-type: none"> <li>• Mude o óleo.</li> </ul>
<b>A cada 8 Horas ou Diariamente</b>
<ul style="list-style-type: none"> <li>• Verifique o nível do óleo do motor</li> <li>• Limpe a área à volta do silenciador e dos controlos</li> <li>• Limpe a grelha de admissão de ar.</li> </ul>
<b>A cada 25 horas ou Anualmente</b>
<ul style="list-style-type: none"> <li>• Limpe o filtro de ar <sup>1</sup></li> <li>• Limpe o pré-purificador (se instalado) <sup>1</sup></li> </ul>
<b>A cada 50 horas ou Anualmente</b>
<ul style="list-style-type: none"> <li>• Mudar o óleo do motor</li> <li>• Manutenção do sistema de escape</li> </ul>
<b>A cada 100 horas</b>
<ul style="list-style-type: none"> <li>• Mudar óleo do redutor (se instalado)</li> </ul>
<b>Anualmente</b>
<ul style="list-style-type: none"> <li>• Substitua a vela de ignição</li> <li>• Substitua o filtro do ar</li> <li>• Substitua o pré-purificador (se instalado)</li> <li>• Substitua o filtro de combustível (se instalado)</li> <li>• Manutenção do sistema de combustível</li> <li>• Manutenção do sistema de arrefecimento <sup>1</sup></li> <li>• Verifique a folga da válvula <sup>2</sup></li> </ul>

<sup>1</sup> Se houver muito pó ou resíduos transportados por via aérea, a limpeza deve ser mais frequente.

<sup>2</sup> Apenas é necessário se forem notados problemas de desempenho do motor.

## Carburador e Velocidade do Motor

Nunca faça ajustes ao carburador ou à velocidade do motor. O carburador foi configurado na fábrica para funcionar eficientemente na maioria das condições. NÃO modifique a mola

de controlo, as ligações ou outras peças para aumentar a velocidade do motor. Se necessitar de algum ajuste, deve contactar um Concessionário de Assistência Autorizado Briggs & Stratton para a intervenção.

**AVISO** O fabricante do equipamento especifica a velocidade máxima do motor uma vez montado no equipamento. **Não exceda** esta velocidade. Se tiver dúvidas quanto à velocidade máxima do equipamento, ou sobre a regulação de fábrica da velocidade do motor, deve contactar um Concessionário de Assistência Autorizado Briggs & Stratton para esclarecimento. Para que o equipamento funcione bem e em segurança, a velocidade do motor só deve ser ajustada por um técnico de assistência habilitado.

## Manutenção da vela de ignição

Ver Figura: 9

Verifique a folga (A, Figura 9) com um calibrador (B). Se necessário, redefina a folga. Coloque e aperte a vela de ignição com o binário recomendado. Para obter a configuração da folga ou o binário, consulte a secção **Especificações**.

**Nota:** Em algumas regiões, a legislação local exige que se use uma vela de ignição com resistência para suprimir sinais da ignição. Se este motor estiver originalmente equipado com uma vela de ignição com resistência, faça a substituição por outra do mesmo tipo.

## Manutenção do sistema de escape



**ADVERTÊNCIA**

O funcionamento dos motores produz calor. As peças do motor, especialmente o silenciador, ficam extremamente quentes.

Queimaduras térmicas graves podem ocorrer por contacto.

Entulhos combustíveis, tal como folhas, relva, mato, etc. podem incendiar-se.

- Deixe que o silenciador, o cilindro do motor e palhetas arrefeçam antes de tocar neles.
- Retire os resíduos que se acumulem na zona do silenciador e na do cilindro.
- É uma violação do Código de Recursos Públicos da Califórnia, Secção 4442, usar ou operar o motor em ou perto de qualquer terreno de cobertura florestal, cobertura de arbustos, ou cobertura de relva, a menos que o sistema de escape esteja equipado com um pára-chispas que cumpra com todas as leis locais ou estaduais aplicáveis. Outras áreas estaduais ou federais podem ter leis semelhantes. Para obter um pára-chispas concebido para o sistema de escape instalado neste motor, contacte o fabricante original do equipamento.

Retire os resíduos que se acumulem na zona do silenciador e na do cilindro. Examine o silenciador em busca de fendas, corrosão ou outros danos. Remova o pára-chispas, se instalado, e verifique se apresenta danos ou obstruções de carbono. Se detectar danos, monte peças de substituição antes de operar o equipamento.



**ADVERTÊNCIA**

As peças de substituição têm de ser iguais às peças originais e devem ser instaladas nas mesmas posições. Outras peças podem não ter o mesmo bom desempenho, podem danificar a unidade e podem provocar ferimentos.

## Mudar o óleo do motor

Ver Figura: 10, 11, 12

O óleo usado é um resíduo perigoso e deve ser eliminado de forma adequada. Não deitar fora com o lixo normal. Verifique com as suas autoridades locais, centro de assistência ou concessionário a existência de instalações de eliminação/reciclagem seguras.

### Remover Óleo

1. Com o motor desligado mas ainda quente, desligue o fio da vela de ignição (D, Figura 10) e mantenha-o afastado da vela de ignição (E).
2. Remova o bujão de drenagem de óleo (F, Figura 11). Drene o óleo para um recipiente aprovado.

**Nota:** Qualquer um dos bujões de drenagem de óleo (G, Figura 11) pode ser instalado no motor.

3. Depois de drenado o óleo, coloque e aperte o bujão de drenagem de óleo (F, Figura 11).

### Adicionar Óleo

- Certifique-se de que a unidade está nivelada.
- Limpe a área de enchimento do óleo de quaisquer entulhos.
- Consulte na secção **Especificações** a capacidade de óleo.

### Tampão do óleo, quando instalado

1. Remova o tampão do óleo (H, Figura 11).
2. Adicione óleo lentamente pelo tubo de enchimento de óleo (C, Figura 11). Encha até transbordar.
3. Coloque e aperte o tampão do óleo (H, Figura 11).
4. Ligue o fio da vela de ignição (D, Figura 10) à vela de ignição (E).

### Vareta curta, quando instalada

1. Remova a vareta (A, Figura 11) e limpe com um pano limpo.
2. Adicione óleo lentamente pelo tubo de enchimento de óleo (C, Figura 11). Encha até transbordar.
3. Coloque a vareta (A, Figura 11). **Não rode nem aperte.** Remova e verifique o nível do óleo. Verifique se o nível do óleo está no topo do indicador (B) na vareta.
4. Recoloque e aperte a vareta (A, Figura 11).
5. Ligue o fio da vela de ignição (D, Figura 10) à vela de ignição (E).

### Vareta saliente, se instalada

1. Remova a vareta (A, Figura 12) e limpe com um pano limpo.
2. Adicione óleo lentamente pelo tubo de enchimento de óleo (C, Figura 12). **Não encher demais.** Depois de adicionar o óleo, aguarde um (1) minuto e depois volte a verificar o nível do óleo.
3. Coloque e aperte a vareta (A, Figura 12).
4. Remova e verifique o nível do óleo. Verifique se o nível do óleo está no topo do indicador (B, Figura 12) na vareta.
5. Recoloque e aperte a vareta (A, Figura 12).
6. Ligue o fio da vela de ignição (D, Figura 10) à vela de ignição (E).

## Mudar óleo do redutor

Ver Figura: 13, 14

### Redutor 6:1 (Figura 13)

Se o seu motor estiver equipado com uma unidade de redutor 6:1, faça a assistência do seguinte modo:

1. Remova o bujão do tubo de enchimento de óleo (A, Figura 13) e o bujão do nível de óleo (B).
2. Remova o bujão de drenagem de óleo (C, Figura 13) e esvazie o óleo para um recipiente adequado.
3. Recoloque e aperte o bujão de drenagem de óleo (C, Figura 13).
4. Para reabastecer, deite lubrificante de engrenagens lentamente (consulte a secção de **Especificações**) no orifício de enchimento de óleo (D, Figura 13). Continue a adicionar óleo até este transbordar pelo orifício do nível de óleo (E).
5. Recoloque e aperte o bujão do nível de óleo (B, Figura 13).
6. Recoloque e aperte o bujão do tubo de enchimento de óleo (A, Figura 13).

**Nota:** O bujão do tubo de enchimento de óleo (A, Figura 13) dispõe de um orifício de ventilação (F) e tem de ser colocado no topo da tampa da caixa de engrenagens, como se mostra.

### Redutor 2:1 (Figura 14)

A unidade de redutor 2:1 (G, Figura 14) não requer mudança de óleo.

## Manutenção do Filtro do ar

Ver Figura: 15, 16, 17



**ADVERTÊNCIA**

O combustível e os seus vapores são extremamente inflamáveis e explosivos.

Um incêndio ou explosão podem causar queimaduras graves ou a morte.

- Nunca coloque em funcionamento ou opere o motor com o conjunto do purificador do ar (se instalado) ou o filtro do ar (se instalado) removidos.

**AVISO** Não use ar pressurizado ou solventes para limpar o filtro. O ar pressurizado pode danificar o filtro e os solventes podem dissolver o filtro.

Consulte no **Plano de Manutenção** os requisitos de assistência.

Diferentes modelos usam filtro de espuma ou de papel. Alguns modelos podem ainda dispor de um pré-purificador opcional que pode ser lavado e reutilizado. Compare as ilustrações no presente manual com o tipo instalado no seu motor e faça a assistência do seguinte modo.

### Filtro do ar de papel

1. Desaperte o(s) fixador(es) (A, Figura 15, 16).
2. Remova a tampa (B, Figura 15, 16).
3. Remova o pré-purificador (C, Figura 15, 16), se instalado, e o filtro (D).
4. Para libertar o entulho, bata levemente com o filtro (D, Figura 15, 16) numa superfície dura. Se o filtro estiver excessivamente sujo, substitua por um novo filtro.
5. Lave o pré-purificador (C, Figura 15, 16), se instalado, com detergente líquido e água. Deixe o pré-purificador secar bem ao ar. **Não** oleie o pré-purificador.
6. Monte o pré-purificador seco (C, Figura 15, 16), se instalado, no filtro (D) com a extremidade (G) do pré-purificador na parte inferior das pregas do filtro.
7. Coloque o filtro (D, Figura 15, 16).
8. Nos modelos equipados com o filtro de ar apresentado na Figura 15, instale as patilhas da tampa (E) nos encaixes (F).
9. Instale a tampa (B, Figura 15, 16) e prenda com o(s) fixador(es) (A).

### Filtro do ar de papel

1. Desaperte o(s) fixador(es) (A, Figura 17).
2. Remova a tampa (B, Figura 17).
3. Remova o pré-purificador (C, Figura 17), se instalado, do filtro (D).
4. Para libertar o entulho, bata levemente com o filtro (D, Figura 17) numa superfície dura. Se o filtro estiver excessivamente sujo, substitua por um novo filtro.
5. Remova o pré-purificador (D, Figura 17), se instalado, do filtro (D).
6. Lave o pré-purificador (C, Figura 17), se instalado, com detergente líquido e água. Deixe o pré-purificador secar bem ao ar. **Não** oleie o pré-purificador.
7. Instale o pré-purificador seco (C, Figura 17), se instalado, no filtro (D).
8. Coloque o filtro (D, Figura 17) e o pré-purificador (C), se instalado, na base (E) e na haste (F). Verifique se o filtro assenta firmemente na base.
9. Instale a tampa do filtro de ar (B, Figura 17) e prenda com o(s) fixador(es) (A). Certifique-se de que o(s) fixador(es) está(ão) apertado(s).

## Manutenção do sistema de combustível

Ver Figura: 18, 19



**O combustível e os seus vapores são extremamente inflamáveis e explosivos.**

**Um incêndio ou explosão podem causar queimaduras graves ou a morte.**

- Mantenha o combustível afastado de faíscas, chamas abertas, chamas piloto, calor, e outras fontes de ignição.
- Verifique se existem rachas ou fugas nas linhas do combustível, depósito, tampão e acessórios. Substitua se necessário.
- Antes de limpar ou substituir o filtro de combustível, drene o depósito de combustível ou feche a válvula de corte de combustível.
- Se derramar combustível, aguarde até que este evapore antes de colocar o motor em funcionamento.
- As peças de substituição têm de ser iguais às peças originais e devem ser instaladas nas mesmas posições.

### Filtro de combustível, se instalado

1. Antes de limpar ou substituir o filtro de combustível (A, Figura 18), drene o depósito de combustível ou feche a válvula de corte de combustível. Caso contrário pode ocorrer um derrame de combustível e provocar um incêndio ou uma explosão.

2. Use um alicate para comprimir as patilhas (B, Figura 18) nos grampos (C), e depois retire os grampos do filtro de combustível (A). Torça e puxe os tubos de combustível (D) para fora do filtro de combustível.
3. Verifique se os tubos de combustível (D, Figura 18) apresentam fissuras ou fugas. Substitua se necessário.
4. Substitua o filtro de combustível (A, Figura 18) por um filtro sobressalente original.
5. Fixe bem os tubos de combustível (D, Figura 18) com grampos (C) como se mostra.

### Filtro de combustível, se instalado

1. Remova o tampão do combustível (A, Figura 19).
2. Remova o filtro de combustível (B, Figura 19).
3. Se o filtro de combustível estiver sujo, limpe-o ou substitua-o. Se substituir o filtro de combustível, tenha o cuidado de usar um filtro de combustível sobressalente original.

## Manutenção do sistema de arrefecimento



**O funcionamento dos motores produz calor. As peças do motor, especialmente o silenciador, ficam extremamente quentes.**

**Queimaduras térmicas graves podem ocorrer por contacto.**

**Entulhos combustíveis, tal como folhas, relva, mato, etc. podem incendiar-se.**

- Deixe que o silenciador, o cilindro do motor e palhetas arrefeçam antes de tocar neles.
- Retire os resíduos que se acumulem na zona do silenciador e na do cilindro.

**AVISO** Não use água para limpar o motor. A água pode contaminar o sistema de combustível. Limpe o motor com uma escova ou um pano seco.

Este motor é arrefecido a ar. O fluxo de ar pode sofrer restrições devido a sujidade ou resíduos, provocando o sobreaquecimento do motor, um fraco desempenho do mesmo e menor durabilidade.

1. Use uma escova para remover os resíduos da grelha de admissão de ar.
2. Mantenha a limpeza de ligações, molas e controlos.
3. Mantenha a área à volta e por detrás do silenciador, caso exista, livre de resíduos combustíveis.
4. Verifique se as aletas do arrefecedor de óleo, caso exista, estão livre de sujidade e resíduos.

Ao fim de algum tempo, os resíduos podem acumular-se nas aletas de arrefecimento do cilindro e provocar o sobreaquecimento do motor. Estes resíduos não se podem remover sem a desmontagem parcial do motor. Solicite a um Concessionário de Assistência Autorizado Briggs & Stratton que inspecione e limpe o sistema de arrefecimento de ar conforme recomendação no **Plano de Manutenção**.

## Armazenamento



**O combustível e os seus vapores são extremamente inflamáveis e explosivos.**

**Um incêndio ou explosão podem causar queimaduras graves ou a morte.**

### Quando Armazenar Combustível Ou Equipamento com Combustível no Depósito

- Armazene afastado de fomalhas, fogões, aquecedores de água ou outros aparelhos que tenham chamas piloto ou outras fontes de ignição porque estas podem incendiar os vapores do combustível.

### Sistema de combustível

Ver Figura: 20

Armazene o motor nivelado (posição de funcionamento normal). Encha o tanque de combustível (A, Figura 20) com combustível. Para permitir a expansão do combustível, não encha acima do pescoço do depósito de combustível (B).

O combustível pode ficar fora do prazo quando for armazenado por mais de 30 dias. O combustível fora do prazo faz com que depósitos ácidos e gomas se formem no sistema de combustível ou em partes essenciais do carburador. Para manter o combustível fresco, use **Fórmula Avançada de Tratamento do Combustível e Estabilizador Briggs & Stratton**, disponível onde se vendem peças de reposição genuínas da Briggs & Stratton.

Não há necessidade de drenar gasolina do motor se um estabilizador de combustível for adicionado, de acordo com as instruções. Faça funcionar o motor durante dois (2) minutos, para circular o estabilizador ao longo do sistema de combustível antes do armazenamento.

Se a gasolina no motor não for tratada com um estabilizador de combustível, deve ser drenada para um recipiente aprovado. Faça funcionar o motor até este parar por falta de combustível. A utilização de um estabilizador de combustível no recipiente de armazenamento é recomendada para manter a frescura.

### Óleo do Motor

Enquanto o motor está quente, troque o óleo do motor. Consulte a secção **Mudar o óleo do motor**.

## Resolução de Problemas

Para obter assistência, contacte o seu concessionário local ou vá a **BRIGGSandSTRATTON.com** ou ligue para **1-800-233-3723** (nos USA).

## Especificações

Modelos 120000	
Cilindrada	12.48 ci (205 cc)
Cilindro	2.688 in (65,28 mm)
Curso	2.200 in (55,88 mm)
Capacidade do Cárter de Óleo	18 - 20 oz (.54 - .59 L)
Tipo de óleo do redutor	80W-90
Capacidade de óleo do redutor	4 oz (0,12 L)
Folga da Vela de Ignição	.030 in (.76 mm)
Binário da Vela de Ignição	180 lb-in (20 Nm)
Folga de ar da armação	.010 - .014 in (.25 - .36 mm)
Folga da Válvula de Admissão	.004 - .006 in (.10 - .15 mm)
Folga da Válvula de Escape	.009 - .011 in (.23 - .28 mm)

Modelos 150000	
Cilindrada	15.24 ci (250 cc)
Cilindro	2.970 in (75,44 mm)
Curso	2.200 in (55,88 mm)
Capacidade do Cárter de Óleo	18 - 20 oz (.54 - .59 L)
Tipo de óleo do redutor	80W-90
Capacidade de óleo do redutor	4 oz (0,12 L)
Folga da Vela de Ignição	.030 in (.76 mm)
Binário da Vela de Ignição	180 lb-in (20 Nm)
Folga de ar da armação	.010 - .014 in (.25 - .36 mm)
Folga da Válvula de Admissão	.004 - .006 in (.10 - .15 mm)
Folga da Válvula de Escape	.009 - .011 in (.23 - .28 mm)

Modelos 200000	
Cilindrada	15.63 ci (305 cc)
Cilindro	3.120 in (79,24 mm)
Curso	2.438 in (61,93 mm)
Capacidade do Cárter de Óleo	26 - 28 oz (.77 - .83 L)
Tipo de óleo do redutor	SAE 30
Capacidade de óleo do redutor	12 oz (.35 L)
Folga da Vela de Ignição	.030 in (.76 mm)
Binário da Vela de Ignição	180 lb-in (20 Nm)
Folga de ar da armação	.008 - .012 in (.20 - .30 mm)
Folga da Válvula de Admissão	.004 - .006 in (.10 - .15 mm)
Folga da Válvula de Escape	.004 - .006 in (.10 - .15 mm)

Modelos 210000	
Cilindrada	20.85 ci (342 cc)
Cilindro	3.300 in (83,81 mm)
Curso	2.438 in (61,93 mm)
Capacidade do Cárter de Óleo	26 - 28 oz (.77 - .83 L)
Tipo de óleo do redutor	SAE 30
Capacidade de óleo do redutor	12 oz (.35 L)
Folga da Vela de Ignição	.030 in (.76 mm)
Binário da Vela de Ignição	180 lb-in (20 Nm)
Folga de ar da armação	.008 - .012 in (.20 - .30 mm)
Folga da Válvula de Admissão	.004 - .006 in (.10 - .15 mm)
Folga da Válvula de Escape	.004 - .006 in (.10 - .15 mm)

A potência do motor diminui 3,5% por cada 300 metros (1000 pés) acima do nível do mar e 1% por cada 5,6 °C (10 °F) acima dos 25 °C (77 °F). O motor irá funcionar de forma satisfatória a um ângulo de até 15°. Consulte no manual do utilizador do equipamento os limites de autorizados para uma operação segura em declives.

Peças de Assistência - Modelo: 120000, 150000, 200000, 210000	
Peças de Assistência	Número da peça
Filtro de ar plano	491588, 5043
Pré-purificador do filtro de ar plano	493537, 5064
Filtro de ar oval (Modelos 120000, 150000)	697029, 5059
Pré-purificador do filtro de ar oval (Modelos 120000, 150000)	273356
Filtro de ar oval (Modelos 200000, 210000)	695302
Pré-purificador do filtro de ar oval (Modelos 200000, 210000)	695303
Filtro do Combustível	694485
Fórmula Avançada de Tratamento do Combustível e Estabilizador	100117, 100120
Vela de Ignição com Resistência	491055
Vela de ignição de platina de longa duração	5066
Chave de velas de ignição	89838, 5023
Verificador de velas	19368

Recomendamos que visite um Concessionário Autorizado Briggs & Stratton para qualquer intervenção de manutenção e assistência do motor e peças do motor.

**Potência nominal:** A potência total nominal para os modelos de motores a gasolina individuais está rotulada em conformidade com a SAE (Sociedade de Engenheiros Automobilísticos), Procedimento de Potência de Motor Pequeno e Binário Nominal, código J1940, e está classificada de acordo com a SAE J1995. Os valores de binário são obtidos a 2600 RPM para os motores com a indicação "rpm" na etiqueta e 3060 RPM para todos os outros; os valores de potência são obtidos a 3600 RPM. As curvas de potência total podem ser visualizadas em [www.BRIGGSandSTRATTON.COM](http://www.BRIGGSandSTRATTON.COM). Os valores de potência útil são retirados com o purificador de escape e de ar instalados, enquanto os valores de potência total são recolhidos sem estes acessórios. A potência total do motor será superior à potência útil do motor e é influenciada por, entre outras coisas, condições ambientais de funcionamento e a variabilidade de motor para motor. Devido à vasta gama de produtos em que os motores são colocados, o motor a gasolina pode não desenvolver a potência total classificada quando utilizado num determinado equipamento eléctrico. Esta diferença deve-se a uma variedade de factores incluindo, mas não se limitando à, variedade dos componentes do motor (purificador do ar, escape, carregador, arrefecimento, carburador, bomba do combustível, etc.), limitações de aplicação, condições ambientais de funcionamento (temperatura, humidade, altitude) e a variabilidade de motor para motor. Devido às limitações de fabrico e de capacidade, a Briggs & Stratton pode substituir o motor desta série por um motor de classificação de potência superior.

## Garantia

### Garantia do Motor Briggs & Stratton

Em vigor a partir de Janeiro de 2017

**Garantia limitada**

A Briggs & Stratton garante que, durante o período de garantia especificado em baixo, irá reparar ou substituir, gratuitamente, qualquer peça defeituosa em materiais relacionados com o produto e/ou mão-de-obra. Os encargos com o transporte do produto submetido para reparação ou substituição, ao abrigo desta garantia, devem ser suportados pelo comprador. Esta garantia é efectiva e está sujeita aos períodos de tempo e às condições abaixo referidas. Para obter assistência ao abrigo da garantia, procure o Concessionário de Assistência Autorizado mais próximo, usando o nosso mapa localizador em BRIGGSandSTRATTON.COM. O comprador deve contactar o Representante de Serviço Autorizado, e então disponibilizar o produto para o Representante de Serviço Autorizado fazer a inspeção e testes.

**Não existe qualquer outra garantia expressa. Garantias implícitas, incluindo as referentes à comercialização e adequação a um objetivo em particular, estão limitadas ao período de garantia listado em baixo, ou ao que é permitido por lei.** Exclui-se a responsabilidade por danos incidentais ou consequenciais de acordo com o permitido por lei. Alguns estados ou países não permitem limitações quanto à duração de uma garantia implícita e alguns estados e países não permitem a exclusão ou limitação de danos incidentais ou consequenciais, por isso a limitação e exclusão acima podem não se aplicar ao seu caso. Esta garantia concede-lhe direitos legais específicos. Pode também ter outros direitos que variam de Estado para Estado ou de país para país <sup>4</sup>.

### Condições Normais da Garantia 1, 2, 3

Nome da Marca/Produto	Utilização privada	Utilização comercial
Vanguard™; Série Comercial	36 meses	36 meses
Motores com camisa de ferro fundido Dura-Bore™	24 meses	12 meses
Todos os outros motores	24 meses	3 meses

<sup>1</sup>Estas são as nossas condições normais de garantia, mas ocasionalmente pode aplicar-se uma cobertura adicional da garantia não definida à data da publicação. Para obter uma relação das actuais condições da garantia para o seu motor, consulte BRIGGSandSTRATTON.com ou contacte o seu Concessionário de Assistência Autorizado Briggs & Stratton.

<sup>2</sup> Não há qualquer garantia para motores em equipamento utilizado para potência primária em vez de uma utilidade ou para geradores de reserva utilizados para fins comerciais. Os motores utilizados em competições ou em veículos comerciais ou de aluguer não estão abrangidos pela garantia.

<sup>3</sup> Vanguard instalado em geradores de reserva: 24 meses para utilização pelo consumidor, sem garantia para utilização comercial. Vanguard instalado em veículos utilitários: 24 meses para utilização pelo consumidor, 24 meses para utilização comercial. Série Comercial com data de fabrico anterior a julho de 2017, 24 meses para utilização pelo consumidor, 24 meses para utilização comercial.

<sup>4</sup> Na Austrália - Os nossos produtos possuem garantias que não podem ser excluídas ao abrigo da lei australiana relativa aos direitos do consumidor. Tem direito a uma substituição ou reembolso por uma falha grave e a uma compensação por qualquer outra perda ou dano razoavelmente previsível. Também tem direito a ter os bens reparados ou substituídos se os bens não forem de qualidade aceitável e a falha não equivaler a uma falha grave. Para aceder ao serviço de garantia, contacte o revendedor autorizado mais próximo indicado no nosso mapa de localização de revendedores em BRIGGSandSTRATTON.COM, efectue um telefonema para o número 1300 274 447, envie um e-mail para salesenquires@briggsandstratton.com.au ou escreva para Briggs & Stratton Australia Pty Ltd, 1 Moorebank Avenue, NSW, Austrália, 2170.

O período da garantia começa a partir da data da aquisição original efectuada pelo primeiro revendedor ou consumidor final. "Utilização pelo Consumidor" significa a utilização doméstica e pessoal do agregado familiar por um consumidor de venda. "Utilização comercial" refere-se a todas as outras utilizações, incluindo as utilizações com objectivos, comerciais, de produzir rendimento ou de aluguer. No âmbito desta garantia, após a utilização de um produto para fins comerciais, este será considerado um produto para utilização comercial.

**Guarde o recibo da compra como comprovativo. Se não fornecer o comprovativo da data de aquisição inicial no momento em que é pedida a assistência de garantia, será utilizada a data de fabrico do produto para determinar o período de garantia. O registo do produto não é necessário para obter o serviço de garantia em produtos de marca Briggs & Stratton.**

#### Sobre a sua garantia

Esta garantia limitada abrange exclusivamente materiais relativos ao motor e/ou mão-de-obra, e não a substituição ou o reembolso do equipamento no qual o motor está montado. As intervenções de manutenção de rotina, as afinações, os ajustes, ou normal desgaste e ruptura não estão abrangidos por esta garantia. De igual modo, a garantia não se aplica se o motor tiver sido alterado ou modificado ou se o número de série do motor tiver sido adulterado ou removido. Esta garantia não abrange danos do motor ou problemas de desempenho causados por:

1. utilização de peças que não originais da Briggs & Stratton;
2. funcionamento do motor com óleo lubrificante insuficiente, contaminado ou de qualidade inadequada;
3. uso de combustível contaminado ou fora do prazo, gasolina formulada com mais de 10% de etanol, ou recurso a combustíveis alternativos como gás de petróleo liquefeito

ou gás natural em motores não concebidos/fabricados de origem pela Briggs & Stratton para trabalhar com estes combustíveis;

4. sujidade que tenha penetrado no motor devido a deficiências na manutenção ou montagem do purificador de ar;
5. golpe num objecto provocado pela lâmina de corte de um cortador de relva rotativo, adaptadores de lâminas soltos ou mal montados, rotores, ou outros dispositivos acoplados à cambota, ou aperto excessivo da correia em V;
6. peças ou montagens associadas como embraiagens, transmissões, controlos do equipamento, etc., não fornecidos pela Briggs & Stratton;
7. sobreaquecimento devido a pedaços de erva, sujidade e resíduos, ou ninhos de roedores que entopem ou colmatam as aletas de arrefecimento ou a área do volante do motor, ou por operação do motor sem ventilação suficiente;
8. demasiada vibração devida a velocidade excessiva, montagem do motor mal apertada, lâminas de corte ou rotores soltos ou desequilibrados, ou acoplagem deficiente de componentes do equipamento à cambota;
9. má utilização, falta de manutenção de rotina, transporte, manuseamento, ou armazenagem do equipamento, ou montagem inadequada do motor.

**O serviço de garantia apenas se encontra disponível através dos revendedores autorizados Briggs & Stratton. Localize o seu Concessionário de Assistência Autorizado mais próximo no nosso mapa de concessionários em BRIGGSandSTRATTON.COM ou ligando para 1-800-233-3723 (nos EUA).**

80004537 (Rev. C)

Denna handbok innehåller säkerhetsinformation som gör dig uppmärksam på de faror och risker som är förknippade med motorer och hur man undviker dem. Den kan även innehålla instruktioner för en korrekt användning och skötsel av motor. Då Briggs & Stratton inte nödvändigtvis känner till vilken maskin denna motor driver, är det viktigt att du läser och förstår dessa anvisningar och anvisningarna för den maskin som motorn driver. **Spara instruktionerna för framtida referens.**

*Anm.:* Siffrorna och illustrationerna i handboken är enbart för referens, och kan skilja sig från just din modell. Kontakta din återförsäljare om du har frågor.

För reservdelar eller teknisk hjälp i framtiden, skriver du motorns modell-, typ- och kodnummer samt inköpsdatum här. De här numren finns på din motor (se avsnittet **Funktioner och reglage**).

Inköpsdatum:	
Motormodell - Typ - Trim	
Motorns serienummer	

Lokalisera 2D-streckkoden på vissa motorer. Vid visning med en anordning med 2D-kapacitet kommer koden att öppna vår webbplats där du kan komma åt supportinformation för den här produkten. Datakostnader kan tillkomma. Vissa länder kanske inte har någon tillgänglig supportinformation online.



## Förarens säkerhet

### Säkerhetssymboler och signalord

Varningssymbolen används för att peka på säkerhetsinformation om risker som kan leda till personskador. Ett signalord (FARA, VARNING eller FÖRSIKTIGHET) används tillsammans med varningssymbolen för att tilldela risken en sannolikhet och hur allvarliga skador som kan orsakas. Dessutom kan varningssymbolen användas för att visa på typen av fara.

**FARA** visar på en risk, som om den inte undviks, **leder till döden eller allvarlig skada**.

**VARNING** visar på en risk, som om den inte undviks, **kan leda till allvarlig skada eller döden**.

**FÖRSIKTIGHET** visar på en risk, som om den inte undviks, **kan orsaka lätt eller måttlig skada**.

**OBS!** indikerar en åtgärd som **kan orsaka skada på produkten**.

### Farosymboler och deras innebörd

Symbol	Innebörd	Symbol	Innebörd
	Säkerhetsinformation om faror som kan leda till personskador.		Läs igenom och lär dig handboken innan du använder eller servar enheten.
	Brandrisk		Explosionsrisk
	Risk för elektriska stötar.		Risk för giftiga gaser.
	Risk för het yta		Bullerrisk - Hörselskydd rekommenderas vid längre användning.

Symbol	Innebörd	Symbol	Innebörd
	Risk för utslungade föremål - Ögonskydd.		Explosionsrisk
	Risk för köldskada		Risk för bakslag
	Risk för amputering - rörliga delar		Kemisk fara
	Termisk risk		Korrosiv

## Säkerhetsmeddelanden



Vissa komponenter från denna produkt och dess tillhörande tillbehör innehåller kemikalier som i delstaten Kalifornien konstaterats kunna förorsaka cancer, genetiska skador eller hämma fortplantningen. Tvätta händerna efter användning.



Avgaserna från denna produkt innehåller kemikalier som i delstaten Kalifornien konstaterats kunna förorsaka cancer, genetiska skador eller hämma fortplantningen.



Briggs & Stratton, Briggs & Strattons motorer är inte konstruerade och ska inte användas för att driva: funkarter, gocart-bilar, barn-, fritids och sportfordon för terrängkörning (ATV), motorcyklar, svävare, flygande apparater och fordon som används för tävlingsbruk som inte sanktionerats av Briggs & Stratton. För information om konkurrerande tävlingsprodukter, se [www.briggsracing.com](http://www.briggsracing.com). För användning med bruks- och tvåsitsiga terrängfordon, kontakta Briggs & Stratton Engine Application Center, 1-866-927-3349. Felaktig användning av motorn kan resultera i allvarliga personskador eller dödsfall.



**Bränslet och dess ångor är extremt lättantändliga och explosiva.**

**Brand eller explosion kan orsaka svåra brännskador eller dödsfall.**

#### Påfyllning av bränsle

- Stäng av motorn och låt den svalna under minst 2 minuter innan bensinlocket tas av.
- Fyll bränsletanken utomhus eller i ett välventilerat utrymme.
- Överfyll inte tanken. För att bränslet ska kunna expandera får man inte fylla på mer än till nederkanten av bränsletankens hals.
- Ha inte gnistor, öppna lågor, indikationslampor, värme och andra antändningskällor i närheten av bränsle.
- Kontrollera att det inte finns sprickor eller läckor på bränsleledningar, tank, lock och kopplingar. Byt vid behov.
- Låt utspillt bränsle förångas innan du startar motorn.

#### När motorn startas

- Se till att tändstift, tanklock och luftrenare (om sådan finns) sitter ordentligt på plats.
- Dra inte runt motorn med tändstiftet urtaget.
- Om motorn flödar, ska choken (om sådan finns) sättas i läget ÖPPEN/KÖR (OPEN/RUN), gasen (om sådan finns) flyttas till fullgasläge (FAST) och dra i snöret till motorn startar.

#### Vid körning av maskinen

- Tippa inte motorn eller maskinen i sådan vinkel att bränslet spills ut.
- Choka inte förgasaren för att stoppa motorn.
- Starta och kör aldrig motorn med luftrenaren (i förekommande fall) eller luftfiltret (i förekommande fall) borttaget.

#### Vid oljebyte

- Om du tappar ur olja från det övre oljepåfyllningsröret, måste bränsletanken vara tom, annars kan bränsle rinna ut och orsaka brand eller explosion.

#### När maskinen tippas för underhåll

- Om bränsletanken är monterad på motorn, måste den vara tom när man utför underhåll som kräver att maskinen tippas, annars kan bränslet läcka ut och orsaka brand eller explosion.

#### När utrustningen transporteras

- Transportera med TOM bränsletank eller med bränslets avstängningsventil i STÄNGT läge.

#### Vid förvaring av bränsle eller maskin med bränsle i tanken

- Förvara på avstånd från ugnar, brännare, vattenvärmare och andra apparater med sparlågor eller andra tändkällor, då sådana kan antända bränsleångor.



När motorn startas, skapas gnistor.

Gnistbildning kan antända lättantändliga gaser i närheten.

Det kan leda till explosion och brand.

- Om det finns läckande natur- eller LP-gas i området, ska motorn inte startas.
- Använd inte trycksatta startvätskor eftersom ångorna är lättantändliga.



**VARNING FÖR GIFTIG GAS.** Avgaser från motorn innehåller koloxid, som är en giftig gas som kan döda på bara några minuter. Koloxid är osynlig, smak- och luktlös. Även om du inte känner lukten av avgaser, kan du ändå utsättas för koloxidgas. Om du börjar känna dig illamående, yr eller matt när du använder produkten, ska du stänga av den och GENAST gå ut i frisk luft. Uppsök en läkare. Du kan vara koloxidförgiftad.

- Använd ENDAST denna produkt utomhus, på avstånd från fönster, dörrar och ventiler för att minska risken för att koloxid ska ansamlas och eventuellt dras in i bemannade utrymmen.
- Montera batteridrivet koloxidlarm eller eldrivet koloxidlarm med reservbatteri enligt tillverkarens anvisningar. Brandlarm kan inte detektera koloxidgas.
- Kör INTE produkten inomhus, i garage, källare, kryputrymmen, skjul eller andra delvis slutna utrymmen, även om fläktar används eller dörrar och fönster öppnas för ventilation. Koloxid kan snabbt ansamlas i den här typen av utrymmen och kan dröja kvar i timmar, även efter att produkten har stängts av.
- Placera ALLTID denna produkt i lå och rikta avgasutsläppet bort från bemannade utrymmen.



**Snabb indragning av startsnöret (bakslag) drar hand och arm mot motorn innan man hinner släppa.**

Kan leda till brutna ben, frakturer, blåmärken eller stukningar.

- Starta motorn genom att först dra ut snöret långsamt tills ett motstånd känns och sedan snabbt för att undvika backslag.
- Avlägsna alla utvändiga utrustnings-/motorbelastningar innan motorn startas.
- Direktkopplade maskindelar som t.ex. blad, rotor, remskivor, kuggkransar, etc., måste vara ordentligt fästa.



**Roterande delar kan komma i kontakt med eller trassla in händer, fötter, hår, kläder eller tillbehör.**

Svåra skärskador eller t.o.m. amputationer kan inträffa.

- Kör maskinen med skydden på plats.
- Håll händer och fötter på avstånd från snurrande delar.
- Fäst upp långt hår och ta av smycken.
- Bär inte löst sittande kläder, dragband eller andra föremål som kan trassla in sig.



**Motorer som körs producerar värme. Motordelar, speciellt ljuddämpare, blir extremt varma.**

Svåra brännskador kan inträffa vid beröring.

Brännbart skräp, som t. ex. löv, gräs, buskar, etc. kan börja brinna.

- Låt ljuddämpare, motorcylinder och kylflänsar svalna innan du rör dem.
- Ta bort skräp som samlats från området kring ljuddämparen och cylindern.
- Det är olagligt enligt Kalifornisk lag om allmänna resurser, sektion 4442, att använda maskinen på skogsbeklädd, buskbeklädd eller gräsbeklädd mark om inte avgassystemet är utrustat med ett gnistskydd, som det beskrivs i sektion 4442, samt att det är underhållet och i fungerande skick. Andra delstater eller federala jurisdiktioner kan ha liknande lagar. Kontakta den ursprungliga tillverkaren, återförsäljaren eller säljaren av utrustningen, för att få en gnistfångare som är utformad för avgassystemet i denna motor.



Oavsiktliga gnistor kan orsaka brand eller elektriska stötar.

Oavsiktlig start kan resultera i intrassling, traumatisk amputation eller skärskador.

Brandrisk

Innan man utför justeringar eller reparationer:

- Lossa tändstiftskabeln och håll den borta från tändstiftet.
- Koppla ifrån batteriet vid den negativa polen (enbart motorer med elektrisk start).
- Använd endast rätt verktyg.
- Gör inga ändringar på regulatorfjäder, länkar eller andra delar för att öka motorns hastighet.
- Reservdelar måste vara av samma design och installeras på samma sätt som originaldelarna. Andra delar fungerar sannolikt inte lika bra, kan skada enheten och kan leda till skador.
- Slå inte på svänghjulet med hammare eller hårt föremål, eftersom svänghjulet då kan splittras under gång.

Vid kontroll av tändningssystem:

- Använd godkänd gnistprovare.
- Kontrollera inte motorns tändningssystem med tändstiftet nedmonterat.

## Funktioner och reglage

### Motorreglage

Jämför bilden (bild: 1, 2, 3) med din motor för att bekanta dig med de olika egenskapernas och reglagens placering.

- Motorbeteckning **Modell - Typ - Kod**
- Tändstift
- Luftrenare (plant eller ovalt)
- Chokereglage
- Bränslekran (om sådan finns)
- Startmotorsnörets handtag
- Luftintagsgaller
- Gasreglage, (om sådant finns)
- Stoppkontakt (om sådan finns)
- Bränsletank och lock
- Förlängd oljesticka (i förekommande fall)
- Kort oljesticka (i förekommande fall)
- Oljeavtappningsplugg



- N. Oljepåfyllning
- O. Ljuddämpare, ljuddämparskydd, (om sådant finns) gnistskydd (om sådant finns)
- P. Säkerhetsnyckel (modeller med elstart)
- Q. Till-/frånbrytare (modeller med elstart)
- R. Reduktionsväxel (i förekommande fall)
- S. Tändningslås (modeller med elstart)

<b>A</b>	<b>SAE 30</b> - Under 40 °F (4 °C) är det svårt att starta med SAE 30.
<b>B</b>	<b>10W-30</b> - Över 80 °F (27 °C) kan 10W-30 orsaka ökad oljeförbrukning. Kontrollera oljenivån oftare.
<b>C</b>	<b>5W-30</b>
<b>D</b>	<b>Syntetisk 5W-30-olja</b>
<b>E</b>	<b>Syntetisk Vanguard™ 15W-50-olja</b>

## Motorreglagesymboler och deras innebörd

Symbol	Innebörd	Symbol	Innebörd
	Motorvarvtal - HÖGT		Motorvarvtal - LÅGT
	Motorvarvtal - STOPP		TILL - FRÅN
	Start av motor - choken STÅNGD		Motorstart - choken ÖPPEN
	Tanklock Bränslekran - ÖPPEN		Bränslekran - STÅNGD
	Bränslenivå - Maximal Överfyll inte		

## Användning

### Oljerekommendationer

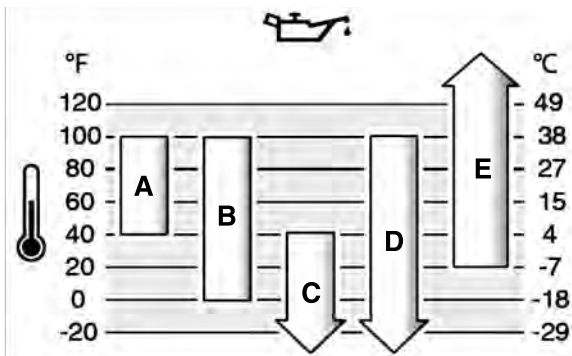
Oljevolym: Se avsnittet **Specifikationer**.

#### MÄRK

Motorn levereras från Briggs & Stratton utan olja. Vissa maskintillverkare eller återförsäljare kan ha fyllt på motorn med olja. Innan du startar motorn för första gången, se till att kontrollera oljenivån och att fylla på med olja enligt instruktionerna i bruksanvisningen. Om du startar motorn utan olja skadas den så att den inte kan repareras och det täcks inte av garantin.

För bästa prestanda rekommenderar vi användning av Briggs & Strattons garanticertifierade oljor. Andra detergentolja av hög kvalitet är acceptabla om de är klassificerade för SF, SG, SH, SJ eller högre. Använd inga specialtillsatser.

Utomhustemperaturerna avgör rätt oljeviskositet för motorn. Använd tabellen för att välja rätt viskositet för den förväntade utomhustemperaturens intervall. Motorn på de flesta utomhusmaskinerna fungerar bra med en syntetisk 5W-30-olja. För utrustning som används i varma temperaturer erbjuder den syntetiska Vanguard™ 15W-50-oljan det bästa skyddet.



## Kontrollera oljenivån

Se bild: 4, 5

### Före påfyllning eller kontroll av olja

- Se till att motorn står plant.
- Rengör området runt oljepåfyllningen.

### Oljepåfyllningslock, i förekommande fall

1. Ta av oljepåfyllningslocket (A, bild 4).
2. Fyll långsamt på olja (B, bild 4) om oljenivån är lägre. Fyll på tills det nästan rinner över.
3. Sätt tillbaka och dra åt oljepåfyllningslocket (A, bild 4).

### Kort oljesticka, i förekommande fall

1. Ta ut oljestickan (C, bild 4) och torka av den med en ren trasa.
2. Sätt i oljestickan (C, bild 4). **Vrid eller dra inte åt.**
3. Ta ur oljestickan och kontrollera oljenivån. Rätt oljenivå är överst på fullmarkeringen (D, bild 4) på oljestickan.
4. Fyll långsamt på olja (B, bild 4) om oljenivån är lägre. Fyll på tills det nästan rinner över.
5. Sätt tillbaka och dra åt oljestickan (C, bild 4).

### Förlängd oljesticka, i förekommande fall

1. Ta ut oljestickan (A, bild 5) och torka av den med en ren trasa.
2. Sätt i och dra åt oljestickan (A, bild 5).
3. Ta ur oljestickan och kontrollera oljenivån. Rätt oljenivå är överst på den fullmarkeringen (B, bild 5) på oljestickan.
4. Om oljenivån är lägre, fyll långsamt på olja i motoroljaeröret (C, bild 5). **Överfyll inte.** När oljan tillsatts, vänta en minut och kontrollera därefter oljenivån igen.
5. Sätt tillbaka och dra åt oljestickan (A, bild 5).

## Skydd mot för låg oljenivå (i förekommande fall)

Vissa motorer är utrustade med en sensor för låg oljenivå. Om oljan är låg kommer sensorn antingen att aktivera en varningslampan eller stanna motorn. Stanna motorn och följ de här stegen innan motorn startas om.

- Se till att motorn står plant.
- Kontrollera oljenivån. Se avsnittet **Kontrollera oljenivån**.
- Om oljenivån är låg fyll på en riktigt mängd olja. Starta motorn och se till att varningslampan (om den finns) inte tänts.
- Om oljenivån inte är låg ska motorn inte startas. Kontakta en godkänd försäljare av Briggs & Stratton för att justera oljeproblemet.

## Bränslerekommendationer

Bränslet måste uppfylla dessa krav:

- Ren, färsk, blyfri bensin.
- Minst 87 oktan/87 AKI (91 RON). Användning på hög höjd, se nedan.
- Bensin med upp till 10 % etanol kan användas.

**MÄRK** Använd inte icke-godkänd bensin som E15 och E85. Blanda inte olja i bensin eller ändra motorn för att köra på alternativa bränslen. Användning av ej godkända bränslen ger motorskador som inte omfattas av garantin.

För att skydda bränslesystemet från att det bildas gummi, blanda i bränslestabilisator i bränslet. Se **Förvaring**. Allt bränsle är inte likadant. Om det blir problem med starten eller prestandan, byt bränsleleverantör eller byt varumärke. Denna motor är kalibrerad för att användas med bensin. Avgaskontrollsystemet för denna motor är EM (Engine Modifications).

## Hög höjd

På höjder över 1 524 meter (5 000 fot), går minst 85 oktan/85 AKI (89 RON) bensen bra.

För förgasarmotorer krävs en höghöjdsjustering för att bibehålla prestandan. Användning utan denna justering leder till försämrad prestanda, ökad bränsleförbrukning och ökade utsläpp. Kontakta en godkänd försäljare av Briggs & Stratton för information om justering för hög höjd. Användning av motorn på höjder under 762 meter (2 500 meter) med höghöjdsjustering rekommenderas inte.

För motorer med elektronisk bränsleinsprutning krävs ingen höghöjdsjustering.

## Fylla på bränsle

Se bilden: 6



**Bränslet och dess ångor är extremt lättantändliga och explosiva.**

**Brand och explosion kan orsaka svåra brännskador eller dödsfall.**

### Vid tankning

- Stäng av motorn och låt den svalna under minst 2 minuter innan tanklocket tas av.
  - Fyll bränsletanken utomhus eller i ett välventilerat utrymme.
  - Överfyll inte tanken. För att bensinen ska kunna expandera, ska bränslet inte nå ovanför nederkanten på tankens hals.
  - Ha inte gnistor, öppna lågor, indikationslampor, värme och andra antändningskällor i närheten av bränsle.
  - Kontrollera att det inte finns sprickor eller läckor på bränsleledningar, tank, lock och kopplingar. Byt vid behov.
  - Låt utspillt bränsle förångas innan du startar motorn.
- Rengör området runt tanklocket från smuts och skräp. Ta bort tanklocket.
  - Fyll på bränsletanken (A, bild 6) med bränsle. För att bränslet ska kunna expandera får man inte fylla på mer än till nederkanten av bränsletankens hals (B).
  - Sätt tillbaka tanklocket.

## Starta och stanna motorn

Se bild: 7, 8

### Starta motorn



**Snabb indragning av startsnöret (bakslag) drar hand och arm mot motorn innan man hinner släppa.**

**Kan leda till brutna ben, frakturer, blåmärken, o.d.**

- När du startar motorn drar du långsamt i startlinan tills det tar emot och drar sedan snabbt för att inte bli skadad av att linan snabbt dras in.



**Bränslet och dess ångor är extremt lättantändliga och explosiva.**

**Brand och explosion kan orsaka svåra brännskador eller dödsfall.**

### När maskinen startas

- Se till att tändstift, spjäll, tanklock och luftrenare (i förekommande fall) sitter ordentligt på plats.
- Dra INTE runt motorn med tändstiftet urtaget.
- Om motorn flödar, ska choken sättas (i förekommande fall) i läget ÖPPEN/KÖR, gasen (i förekommande fall) flyttas till läget SNABB och dra i snöret tills motorn startar.



**VARNING FÖR GIFTIG GAS** Avgaser från motorn innehåller koloxid, som är en giftig gas som kan döda på bara några minuter. Koloxid är osynlig, smak- och luktlös. Även om du inte känner lukten av avgaser, kan du ändå utsättas för koloxidgas. Om du börjar känna dig illamående, yr eller matt när du använder produkten, ska du stänga av den och GENAST gå ut i frisk luft. Uppsök läkare. Du kan vara koloxidförgiftad.

- Använd ENDAST denna produkt utomhus, på avstånd från fönster, dörrar och ventiler för att minska risken för att koloxid ska ansamlas och eventuellt dras in i bemannade utrymmen.
- Montera batteridrivet koloxidlarm eller plugin-koloxidlarm med reservbatteri enligt tillverkarens anvisningar. Brandlarm kan inte detektera koloxidgas.
- Kör INTE produkten inomhus, i garage, källare, kryputrymmen, skjul eller andra delvis slutna utrymmen, även om fläktar används eller dörrar och fönster öppnas för ventilation. Koloxid kan snabbt ansamlas i den här typen av utrymmen och kan dröja kvar i timmar, även efter att produkten stängts av.
- Placera ALLTID denna produkt i lä och rikta avgasutsläppet bort från bemannade utrymmen.

**MÄRK** Motorn levereras från Briggs & Stratton utan olja. Fyll på olja enligt anvisningarna i handboken innan du startar motorn. Om du startar motorn utan olja skadas den så att den inte kan repareras och täcks inte av garantin.

*Anm.:* Maskinen kan ha fjärreglage. Var dessa sitter och hur de används beskrivs i bruksanvisningen till maskinen.

- Kontrollera oljan. Se avsnittet **Kontrollera oljenivån**.
  - Se till att maskinens reglage, i förekommande fall, är urkopplade.
  - Öppna bränslekranen (A, bild 7).
  - För gasreglaget (C, bild 7) till fullgasläget. Kör maskinen med fullgas.
  - För chokereglaget (C, bild 7) till choke-läget.
- Anm.:* Chokning behövs vanligtvis inte vid start av varm motor.
- Tryck stoppknappen (D, bild 7), om sådan finns, till ON.
  - Snörstart, om sådan finns:** Håll hårt i handtaget på startsnöret (E, bild 7). Dra långsamt i startsnörets handtag tills det tar emot och dra snabbt.



Drar du snabbt i startsnöret (bakslag) dras din hand och arm snabbare mot motorn än du hinner släppa taget. Kan leda till brutna ben, frakturer, blåmärken, o.d. När du startar motorn drar du långsamt i startlinan tills det tar emot och drar sedan snabbt för att inte bli skadad av att linan snabbt dras in.

- Elstart, om utrustad med säkerhetsnyckel (F):** Tryck in säkerhetsnyckeln (F, bild 7). Tryck på startknappen (G). Släpp knappen när motorn startar.
- Elstart, om utrustad med tändningsnyckel (F):** Vrid tändningsnyckeln till (H, bild 8) start. Släpp knappen när motorn startar.

**MÄRK** Gör bara korta startförsök (max. fem sekunder) så förlängs startmotorns livslängd. Vänta en minut mellan startförsöken.

- För chokereglaget (B, bild 7) till körläget när motorn värms upp.

*Anm.:* Gå in på **BRIGGSandSTRATTON.com** eller kontakta din lokala försäljare eller ring Telefon **1-800-233-3723** (i USA) om motorn inte startar efter upprepade försök.

### Stanna motorn



**Bränslet och dess ångor är extremt lättantändliga och explosiva.**

**Brand och explosion kan orsaka svåra brännskador eller dödsfall.**

- Choka inte förgasaren för att stoppa motorn.

- Gasreglage, om sådant finns:** För gasreglaget (C, bild 7) i tomgångsläget och sedan till stopp.

**Stoppkontakt, om sådan finns** Tryck stoppbrytaren (D, bild 7) till stoppläget.

**Säkerhetsnyckel, om sådan finns:** Ta ur nyckeln (F, bild 7) och förvara den utom räckhåll för barn.

**Tändningslås, om sådant finns:** Vrid nyckeln (A, bild 8) till off. Ta ur nyckeln och förvara den utom räckhåll för barn.

- Stäng bränslekranen (A, bild 7), om sådan finns, när motorn stannat.

# Underhåll

**MÄRK** Om maskinen tippas under underhållsarbete, måste tanken tömmas och tändstiftssidan vara uppåtvänd. Om inte bränsletanken är tom och maskinen tippas åt något håll, kan det vara svårt att starta på grund av att det har kommit olja eller besin på luftfiltret och/eller tändstiftet.



## VARNING

Vid underhåll som kräver tippning av maskinen måste bränsletanken vara tom, annars kan bränsle läcka ut och orsaka brand eller explosion.

Vi rekommenderar att du tar kontakt med en auktoriserad Briggs & Stratton-verkstad för underhåll och reparation av motorn och dess delar.

**MÄRK** Alla de komponenter som använts för att bygga denna motor, måste sitta kvar för korrekt drift.



## VARNING



**Oavsiktliga gnistor kan resultera i brand eller stötar.**

**Oavsiktlig start kan resultera i intrassling, traumatisk amputation eller skärsår.**

## Brandrisk

### Före justering eller reparation

- Lossa tändstiftskabeln och håll den borta från tändstiftet.
- Koppla bort batteriet vid minuspolen (endast motorer med elstart).
- Använd endast rätt verktyg.
- Justera INTE regulatorfjädrar, regulatorlänkar eller andra delar för att höja motorvarvtalet.
- Reservdelar måste vara av samma design och installeras på samma sätt som originaldelarna. Andra delar fungerar sannolikt inte lika bra, kan skada enheten och kan leda till skador.
- Slå inte på svänghjulet med hammare eller hårt föremål, eftersom svänghjulet då kan splittras under gång.

### Vid kontroll av tändningssystem:

- Använd godkänd gnistprovare.
- Kontrollera inte motorns tändningssystem med tändstiftet nedmonterat.

## Utsläppskontrollservice

Underhåll, byte eller reparation av avgaskontrollanordningar och system kan utföras av en verkstad eller person som reparerar motorer som inte är avsedda för väg. Men för att få utsläppskontrollservice "utan kostnad", måste arbetet utföras av en av tillverkaren godkänd säljare. Se Instruktioner om utsläppskontroll.

## Underhållsschema

Första 5 timmarna
<ul style="list-style-type: none"><li>• Byt olja</li></ul>
Var 8:e timma eller en gång per dag
<ul style="list-style-type: none"><li>• Kontrollera motorns oljenivå</li><li>• Rengör området runt ljuddämparen och reglagen</li><li>• Rensa luftintagsgallret</li></ul>
Var 25:e timme eller en gång om året
<ul style="list-style-type: none"><li>• Rengör luftfiltret <sup>1</sup></li><li>• Rengör förrenaren (om sådan finns) <sup>1</sup></li></ul>
Var 50:e timme eller en gång om året
<ul style="list-style-type: none"><li>• Byta motorolja</li><li>• Underhåll av avgassystem</li></ul>
Var 100:e timma
<ul style="list-style-type: none"><li>• Byt reduktionsväxelns olja (i förekommande fall)</li></ul>
Ärligen

- Byta tändstift
- Byt luftfilter
- Byt förrenare (om sådan finns)
- Byt bränslefilter (om sådant finns)
- Utför service av bränslesystemet
- Service av kylsystem <sup>1</sup>
- Mät ventilspelet <sup>2</sup>

<sup>1</sup> Rengör oftare i dammiga miljöer och där det finns luftburet skräp.

<sup>2</sup> Behövs inte om det inte är problem med motorns prestanda

## Förgasare och motorhastighet

Utför aldrig några justeringar på förgasaren eller motorns hastighet. Förgasaren ställdes in på fabriken för att fungera effektivt under de flesta förhållanden. Gör inga ändringar på regulatorfjädrar, länkar eller andra delar för att öka motorns hastighet. Om justeringar krävs, kontakta en godkänd försäljare av Briggs & Stratton för service.

**MÄRK** Utrustningens tillverkare specificerar den maximala hastigheten för motorn som installerats på utrustningen. **Överstig** inte hastigheten. Om du inte är säker på vilken maximal hastighet som gäller för utrustningen, eller vilken motorhastighet som fabriksinställts, kontakta en godkänd försäljare av Briggs & Stratton för assistans. För en säker och korrekt funktion av utrustningen ska motorns hastighet endast justeras av en kompetent servicetekniker.

## Kontrollera tändstiftet

Se bild: 9

Kontrollera gapet (A, bild 9) med ett trådkalibreringssystem (B). Återställ gapet om det behövs. Installera och dra åt tändstiftet till rekommenderat åtdragningsmoment. För gapinställning eller åtdragningsmoment, se avsnittet **Specifikationer**.

Anm.: I vissa områden fördrar den lokala lagstiftningen användning av avstörda tändstift för att undertrycka tändsignaler. Om denna motor ursprungligen utrustats med ett avstört tändstift, bör samma typ av tändstift användas vid byte.

## Demontering av avgassystem



## VARNING



**Motorer som körs producerar värme. Motordelar, speciellt ljuddämparen, blir extremt varma.**

**Svåra brännskador kan inträffa vid beröring.**

**Brännbart skräp, som t.ex. löv, gräs, buskar, etc. kan börja brinna.**

- Låt ljuddämpare, motorcylinder och kylflänsar svalna innan du rör dem.
- Ta bort skräp som samlats från området kring ljuddämparen och cylindern.
- Det är ett brott mot avsnitt 4442 av California Public Resource Code att använda eller köra motorn på eller i närheten av skog-, snår- eller grästäckt mark om inte avgassystemet utrustats med en gnistfångare som uppfyller gällande lokala eller delstatliga lagar. Andra delstater eller federala jurisdiktioner kan ha liknande lagar. Kontakta den ursprungliga tillverkaren, återförsäljaren eller säljaren av utrustningen, för att få en gnistfångare som är utformad för avgassystemet i denna motor.

Ta bort skräp som samlats från området kring ljuddämparen och cylindern. Kontrollera om ljuddämparen är sprucken, rostig eller skadad. Rengör flamskyddet och inspektera om det är skadat eller blockerat av kol. Om skada hittas, installera reservdelar innan någon drift.



## VARNING

Reservdelar måste vara av samma design och installeras på samma sätt som originaldelarna. Andra delar fungerar sannolikt inte lika bra, kan skada enheten och kan leda till skador.

## Byta motorolja

Se bild: 10, 11, 12

Använd olja är farligt avfall och måste avyttras korrekt. Blanda inte med hushållsavfall. Rådgrör med lokala myndigheter, servicecenter eller handlare.

## Urtappning av olja

1. Med motorn avstängd men fortfarande varm, lossa tändstiftskabeln (D, bild 10) och håll den borta från tändstiftet (E).
2. Skruva ur oljepluggen (F, bild 11). Tappa ut oljan i en godkänd behållare.

Anm.: Någon av oljepluggarna (G, bild 11) finns på motorn.

3. Sätt tillbaka och dra åt oljepluggen (F, bild 11) när oljan runnit ut.

## Påfyllning av olja

- Se till att motorn står plant.
- Rengör området runt oljepåfyllningen.
- Oljevolyten finns angiven i avsnittet **Specifikationer**.

## Oljepåfyllningslock, i förekommande fall

1. Ta av oljepåfyllningslocket (H, bild 11).
2. Häll långsamt olja i oljepåfyllningen (C, bild 11). Fyll på tills det nästan rinner över.
3. Sätt tillbaka och dra åt oljepåfyllningslocket (H, bild 11).
4. Anslut tändkabeln (D, bild 10) på tändstiftet (E).

## Kort oljesticka, i förekommande fall

1. Ta ut oljestickan (A, bild 11) och torka av den med en ren trasa.
2. Häll långsamt på olja i motoroljeröret (C, bild 11). Fyll på tills det nästan rinner över.
3. Sätt i oljestickan (A, bild 11). **Vrid eller dra inte åt.** Ta ur oljestickan och kontrollera oljenivån. Rätt oljenivå är överst på fullmarkeringen (B) på oljestickan.
4. Sätt tillbaka och dra åt oljestickan (A, bild 11).
5. Anslut tändkabeln (D, bild 10) på tändstiftet (E).

## Förlängd oljesticka i förekommande fall

1. Ta ut oljestickan (A, bild 12) och torka av den med en ren trasa.
2. Häll långsamt på olja i motoroljeröret (C, bild 12). **Överfyll inte.** Vänta en minut och kontrollera oljenivån igen när du fyll på olja.
3. Sätt i och dra åt oljestickan (A, bild 12).
4. Ta ur oljestickan och kontrollera oljenivån. Rätt oljenivå är överst på den fullmarkeringen (B, bild 12) på oljestickan.
5. Sätt tillbaka och dra åt oljestickan (A, bild 12).
6. Anslut tändkabeln (D, bild 10) på tändstiftet (E).

## Byt reduktionsväxels olja

Se bild: 13, 14

### 6:1 reduktionsväxel (bild 13)

Om motorn har en 6:1 reduktionsväxel, serva på följande sätt:

1. Ta bort oljepåfyllningspluggen (A, bild 13) och oljestickan (B).
2. Ta bort oljeavtappningspluggen (C, bild 13) och töm oljan i en lämplig behållare.
3. Sätt tillbaka och dra åt oljeavtappningspluggen (C, bild 13).
4. För att fylla på, håll långsamt växelådsoljan (se avsnittet **Specifikationer**) i oljepåfyllningshålet (D, bild 13). Fortsätt att hålla tills oljan rinner ut ur oljenivåhålet (E).
5. Sätt tillbaka och dra åt oljestickan (B, bild 13).
6. Sätt tillbaka och dra åt oljepåfyllningspluggen (A, bild 13).

Anm.: Oljepåfyllningspluggen (A, bild 13) har ett ventilationshål (F) och måste installeras ovanpå växelådans kåpa som på bilden.

### 2:1 reduktionsväxel (bild 14)

Oljan i 2:1 reduktionsväxel (G, bild 14) behöver inte bytas.

## Rengöra luftfiltret

Se bild: 15, 16, 17



**Bränslet och dess ångor är extremt lättantändliga och explosiva.**

**Brand och explosion kan orsaka svåra brännskador eller dödsfall.**

- Starta eller kör aldrig motorn utan luftrenare (i förekommande fall) eller luftfilter (i förekommande fall).

**MÄRK** Använd inte tryckluft för att rengöra filtret. Tryckluft kan skada filtret och lösningsmedel löser upp filtret.

Se **Underhållningstabell** för service.

De olika modellerna har endera plastskum- eller pappersfilter. Vissa modeller kan också ha en förrenare som kan tvättas och återanvändas. Jämför bilderna i bruksanvisningen med typen på din motor och utför service enligt nedan.

## Pappersluftfilter

1. Lossa fästet (fästena) (A, bild 15, 16).
2. Ta bort kåpan (B, bild 15, 16).
3. Ta bort förrenaren (C, bild 15, 16) och filtret (D).
4. Lossa skräp genom att knacka filtret (D, bild 15, 16) lätt mot en hård yta. Är filtret väldigt smutsigt ska det bytas mot ett nytt.
5. Tvätta förrenaren (C, bild 15, 16) i flytande tvättmedel och vatten. Låt förrenaren lufttorka helt. **Olja inte** in förrenaren.
6. Montera den torra förrenaren (C, bild 15, 16), i förekommande fall, på filtret (D) med läppen (G) på förrenaren mot nederdelen på det veckade filtret.
7. Installera filtret (D, bild 15, 16).
8. Sätt i flikarna (E) på kåpan i spåren (F) på modeller som har luftfilter enligt bild 15.
9. Montera kåpan (B, bild 15, 16) och fäst med fästet (fästena) (A).

## Pappersluftfilter

1. Lossa fästet (fästena) (A, bild 17).
2. Ta bort kåpan (B, bild 17).
3. Ta bort förrenaren (C, bild 17), om sådan finns, från filtret (D).
4. Lossa skräp genom att knacka filtret (D, bild , 17) lätt mot en hård yta. Är filtret väldigt smutsigt ska det bytas mot ett nytt.
5. Ta bort förrenaren (C, bild 17), om sådan finns, från filtret (D).
6. Tvätta förrenaren (C, bild , 17) i flytande tvättmedel och vatten. Låt förrenaren lufttorka helt. **Olja inte** in förrenaren.
7. Montera den torra förrenaren (C, bild 17), om sådan finns, på filtret (D).
8. Montera filtret (D, bild 17) och förrenaren (D) på luftfilterfästet (E) och på pinnbulten (F). Se till att filtret sitter ordentligt på luftfilterfästet.
9. Montera luftfiltrets kåpan (B, bild 17) och fäst med fästet (fästena) (A). Se till att fästet (fästena) sitter ordentligt fast.

## Service av bränslesystem

Se bilden: 18, 19



**Bränslet och dess ångor är extremt lättantändliga och explosiva.**

**Brand och explosion kan orsaka svåra brännskador eller dödsfall.**

- Ha inte gnistor, öppna lågor, indikationslampor, värme och andra antändningskällor i närheten av bränsle.
- Kontrollera att det inte finns sprickor eller läckor på bränsleledningar, tank, lock och kopplingar. Byt vid behov.
- Tappa ur tanken eller stäng bensinkranen innan du byter bränslefilter.
- Låt utspillt bränsle förångas innan du startar motorn.
- Utbytesdelarna måste vara de samma och installeras i samma position som originaldelarna.

## Bränslefilter, om sådant finns

1. Tappa ur tanken eller stäng bensinkranen innan du byter bränslefilter (A, bild 18). Bränsle kan annars läcka ut och orsaka brand eller explosion.
2. Kläm samman flikarna på klämmorna (C) med en tång (B, bild 18) och dra sedan bort klämmorna från bränslefiltret (A). Vrid och dra av bränsleslangarna (D) från bränslefiltret.
3. Inspektera bränsleslangarna (D, bild 18) och titta efter sprickor och läckor. Byt vid behov.
4. Byt ut bränslefiltret (A, bild 18) mot en originaldel.
5. Fäst bränsleslangarna (D, bild 18) med klämmor (C) som på bilden.

## Bränslefilter, om sådant finns

1. Ta av oljelocket (A, bild 19).
2. Ta av bränslefiltret (B, bild 19).
3. Rengör eller byt ut bränslefiltret om det är smutsigt. Använd en originalreservdel om du byter ut bränslefiltret.

## Service av kylsystem



**Motorer som körs producerar värme. Motordelar, speciellt ljuddämparen, blir extremt varma.**

**Svåra brännskador kan inträffa vid beröring.**

**Brännbart skräp, som t.ex. löv, gräs, buskar, etc. kan börja brinna.**

- Låt ljuddämpare, motorcylinder och kylflänsar svalna innan du rör dem.
- Ta bort skräp som samlats från området kring ljuddämparen och cylindern.

**MÄRK** Använd inte vatten för att rengöra motorn. Vatten kan förorena bränslesystemet. Använd en borste eller torr trasa för att göra rent motorn.

Detta är en luftkyld motor. Denna motor är luftkyld. Skräp och smuts kan hindra luftflödet och få motorn att överhettas, vilket ger sämre prestanda och förkortar livslängden.

1. Avlägsna skräp från luftintaget med en borste eller torr trasa.
2. Håll länkar, fjäder och reglage rena
3. Ä Håll området runt och bakom ljuddämparen fria från antändbart skräp
4. Se till att kylflänsarna är fria från smuts och skräp.

Efter en tidsperiod kan skräp samlas i cylinderns kylflänsar och leda till en överhettning av motorn. Det här skräpet kan inte tas bort utan en delvis nedmontering av motorn. Se till att en godkänd försäljare av Briggs & Stratton kontrollerar och gör rent luftkylsystemet enligt instruktionerna i **Underhållningstabellen**.

## Förvaring



**Bränslet och dess ångor är mycket brandfarliga och kan explodera.**

**Brand eller explosion kan orsaka svåra brännskador eller dödsfall.**

**Vid förvaring av bränsle eller maskin med bränsle i tanken**

- Förvara på avstånd från ugnar, brännare, vattenvärmare och andra apparater med sparlågor eller andra tändkällor, då sådana kan antända bränsleångor.

## Bränslesystem

Se figur: 20

Förvara maskinen horisontellt (normalt arbetsläge). Fyll bränsletanken (A, figur 20) med bränsle. För att bränslet ska kunna expandera får man inte fylla på mer än till nederkanten av bränsletankens hals (B).

Bränsle kvaliteten kan försämrats vid förvaring längre än 30 dagar. Gammalt bränsle kan orsaka syra- och gummiavlagringar i bränslesystem eller på viktiga delar i förgasaren. För att hålla bränslet i god kondition, använd **Briggs & Strattons Bränsletillsats och stabiliserare**, som finns tillgängligt på alla platser som säljer originaldelar från Briggs & Stratton.

Det är inte nödvändigt att tappa ut bensin från motorn om en bränslestabilisator tillsätts enligt anvisningarna. Kör motorn under två (2) minuter för att cirkulera stabilisatorn genom bränslesystemet innan den ska förvaras.

Har inte bensinen i motorn behandlats med en bränslestabilisator, måste den tappas ut i en godkänd behållare. Kör motorn tills den stannar av brist på bränsle. Vi rekommenderar att man använder bränslestabilisator i förvaringsbehållaren för att bränslet ska förbli färskt.

## Motorolja

Byt olja medan motorn fortfarande är varm. Se avsnittet **Byt motorolja**.

## Felsökning

Vänd dig till närmaste återförsäljare eller gå till **BRIGGSandSTRATTON.com** eller ring **1-800-233-3723** (i USA) om du behöver hjälp.

## Data

Modell: 120000	
Slagvolym	12.48 ci (205 cc)
Cylinderdiameter	2.688 in (65,28 mm)
Slaglängd	2.200 in (55,88 mm)
Oljevolym	18 - 20 oz (,54 - ,59 L)
Typ av olja för reduktionsväxel	80W-90
Reduktionsväxels oljekapacitet	4 oz (0,12 L)
Tändstiftsgap	.030 in (,76 mm)
Åtdragningsmoment, tändstift	180 lb-in (20 Nm)
Luftgap	.010 - .014 in (,25 - ,36 mm)
Ventilspele, insug	.004 - .006 in (,10 - ,15 mm)
Ventilspele, avgas	.009 - .011 in (,23 - ,28 mm)

Modell: 150000	
Slagvolym	15.24 ci (250 cc)
Cylinderdiameter	2.970 in (75,44 mm)
Slaglängd	2.200 in (55,88 mm)
Oljevolym	18 - 20 oz (,54 - ,59 L)
Typ av olja för reduktionsväxel	80W-90
Reduktionsväxels oljekapacitet	4 oz (0,12 L)
Tändstiftsgap	.030 in (,76 mm)
Åtdragningsmoment, tändstift	180 lb-in (20 Nm)
Luftgap	.010 - .014 in (,25 - ,36 mm)
Ventilspele, insug	.004 - .006 in (,10 - ,15 mm)
Ventilspele, avgas	.009 - .011 in (,23 - ,28 mm)

Modell: 200000	
Slagvolym	15.63 ci (305 cc)
Cylinderdiameter	3.120 in (79,24 mm)
Slaglängd	2.438 in (61,93 mm)
Oljevolym	26 - 28 oz (,77 - ,83 L)
Typ av olja för reduktionsväxel	SAE 30
Reduktionsväxels oljekapacitet	12 oz (,35 L)
Tändstiftsgap	.030 in (,76 mm)
Åtdragningsmoment, tändstift	180 lb-in (20 Nm)
Luftgap	.008 - .012 in (,20 - ,30 mm)
Ventilspele, insug	.004 - .006 in (,10 - ,15 mm)
Ventilspele, avgas	.004 - .006 in (,10 - ,15 mm)

Modell: 210000	
Slagvolym	20.85 ci (342 cc)
Cylinderdiameter	3.300 in (83,81 mm)
Slaglängd	2.438 in (61,93 mm)
Oljevolym	26 - 28 oz (,77 - ,83 L)

Modell: 210000	
Typ av olja för reduktionsväxel	SAE 30
Reduktionsväxels oljekapacitet	12 oz (.35 L)
Tändstiftsgap	.030 in (.76 mm)
Åtdragningsmoment, tändstift	180 lb-in (20 Nm)
Luftgap	.008 - .012 in (.20 - .30 mm)
Ventilspegl, insug	.004 - .006 in (.10 - .15 mm)
Ventilspegl, avgas	.004 - .006 in (.10 - .15 mm)

Motoreffekten minskar 3,5 % för varje 300 meter över havsytan och 1 % för varje 5,6 °C över 25 °C. Motorn arbetar tillfredsställande i upp till 15° vinkel. Se maskintillverkarens instruktionsbok beträffande säkra arbetsgränser på slutningar.

Utbytesdelar - modell: 120000, 150000, 200000, 210000	
Utbytesdel	Artikelnummer
Plant luftfilter	491588, 5043
Förrenare till plant luftfilter	493537, 5064
Ovalt luftfilter (modellerna 120000, 150000)	697029, 5059
Förrenare till ovalt luftfilter (modellerna 120000, 150000)	273356
Ovalt luftfilter (modellerna 200000, 210000)	695302
Förrenare till ovalt luftfilter (modellerna 200000, 210000)	695303
Bränslefilter	694485
Bränsleadditiv och bränslestabilisatorer	100117, 100120
Avstört tändstift	491055
Platinatändstift med lång livslängd	5066
Tändstiftsnyckel	89838, 5023
Gnistprovare	19368

Vi rekommenderar att du tar kontakt med en auktoriserad Briggs & Stratton-verkstad för underhåll och reparation av motorn och dess delar.

**Nominell effekt:** Den nominella bruttoeffekten för enskilda bensinmotorer märks i enlighet med SAE:s (Society of Automotive Engineers) kod J1940, rutin för effekt- och vridmomentklassning för små motorer, och klassas i enlighet med SAE J1995. Vridmomentvärden härleds vid 2 600 RPM för de motorer som har "rpm" angivet på märkningen och 3 060 RPM för alla andra. Hästkraftvärden härleds vid 3 600 RPM. Bruttoeffekt kurvorna kan ses se på [www.BRIGGSandSTRATTON.COM](http://www.BRIGGSandSTRATTON.COM). Nettoeffekt värdena tas med avgas- och luftrenare installerade, medan däremot bruttoeffekt värdena samlas in utan dessa tillbehör. Motorernas verkliga bruttoeffekt blir högre än motorernas nettoeffekt och påverkas bl.a. av miljömässiga arbetsförhållanden och variationer i olika motorer. Med tanke på det breda utbudet produkter i vilka motorer monteras, är det inte säkert att bensinmotorn utvecklar den klassificerade bruttoeffekten när den när den körs i en viss utrustning. Skillnaden beror på ett antal faktorer, bland annat, men inte begränsat till olika motordelar (luftrenare, avgassystem, laddning, kylning, förgasare, bensinpump osv.), begränsning i tillämpningen, miljömässiga körförhållanden (temperatur, luftfuktighet, höjd över havet) och variationer i olika motorer. På grund av tillverknings- och kapacitetsbegränsningar kan Briggs & Stratton byta till en motor med högre effekt för denna motorserie.

## Garanti

### Garanti för Briggs & Stratton-motorer

Gäller från Januari 2017

#### Begränsad garanti

Briggs & Stratton garanterar att man, under garantiperioden som specificeras härunder, utan kostnad kommer att reparera eller byta ut delar med materialfel och/eller tillverkningsfel. Köparen står själv för transportkostnaden för produkt som lämnats in för reparation eller utbyte. Garantin gäller under nedan angivna perioder och enligt nedan angivna villkor. För garantiservice, hitta närmaste auktoriserade serviceverkstad på vår karta över närmaste återförsäljare på [BRIGGSandSTRATTON.com](http://BRIGGSandSTRATTON.com). Köparen måste kontakta den auktoriserade serviceverkstaden och sedan göra produkten tillgänglig för den auktoriserade serviceverkstaden för inspektion och test.

Det finns ingen annan uttrycklig garanti. Underförstådda garantier, inklusive för säljbarhet och lämplighet för ett visst ändamål, begränsas till nedan angiven garantiperiod eller till den omfattning som lagen tillåter. Ansvarsgaranti vid skador av påföljstyp och tillfälliga skador exkluderas i den grad det är tillåtet enligt lag. Vissa länder eller delstater medger inte begränsning av hur länge en underförstådd garanti gäller och vissa tillåter inte undantagande eller begränsning av ansvaret för följdskador, så

ovanstående gäller därför inte alla köpare. Denna garanti ger specifika legala rättigheter, men det kan även finnas andra rättigheter som varierar från land till land eller stat till stat.<sup>4</sup>

### Standardgarantivillkor 1, 2, 3

Märke/Produktnamn	Privatbruk	Kommersiell användning
Vanguard™; Commercial Series	36 månader	36 månader
Motorer med Dura-Bore™ gjutjärnsfoder	24 månader	12 månader
Alla andra motorer	24 månader	3 månader

<sup>1</sup> Dessa är våra standard garantivillkor men ibland kan ytterligare garantitäckning finnas som inte var fastställda vid publiceringen. För en lista över aktuella garantivillkor för din motor, gå till [BRIGGSandSTRATTON.com](http://BRIGGSandSTRATTON.com) eller kontakta din Briggs & Stratton godkända försäljare.

<sup>2</sup> Det finns ingen garanti för motorer på utrustningar som används för primäreffekt istället för anslutning till elnätet eller för reservgeneratorer för kommersiellt bruk. Motorer som används i tävlingsssyfte eller på tävlingsbanor täcks inte av garantin.

<sup>3</sup> Vanguard installerade på reservgeneratorer: 24 månaders konsumentbruk, ingen garanti för kommersiellt bruk. Vanguard installerade på nyttofordon: 24 månaders konsumentbruk, 24 månader för kommersiellt bruk. Commercial Series med tillverkningsdatum innan juli 2017: 24 månaders konsumentbruk, 24 månaders kommersiellt bruk.

<sup>4</sup> I Australien - Våra varor omfattas av garantier som inte kan fränkrivas enligt australiensisk konsumentlag. Du har rätt till en ersättning eller återbetalning vid ett betydande fel och till kompensation vid annan rimlig förturbar förlust eller skada. Du har även rätt till att få varorna reparerade eller utbyta om varorna inte är av acceptabel kvalitet och felet inte uppgår till ett betydande fel. För garantiservice, kontakta närmaste auktoriserade serviceverkstad på vår återförsäljarkarta på [BRIGGSandSTRATTON.com](http://BRIGGSandSTRATTON.com), eller genom att ringa 1300 274 447, eller skicka e-post eller brev till [salesenquires@briggsandstratton.com.au](mailto:salesenquires@briggsandstratton.com.au), Briggs & Stratton Australia Pty Ltd, 1 Moorebank Avenue, Moorebank, NSW, Australia, 2170.

Garanti perioden börjar inköpsdagen för privatkunder och företagskunder. Med "Privat bruk" avses personligt bruk i hemmet av privatperson. "Kommersiellt bruk" avser allt annat bruk, inklusive affärsrelaterat bruk, användning i näringsverksamhet eller uthyrning. En motor som en gång har använts kommersiellt, ska därefter alltid betraktas som kommersiell i samband med denna garanti.

**Spara ditt inköpskvitto. Om inköpskvittot inte kan uppvisas vid yrkan på garantireparation, kommer produktens tillverkningsdatum att användas för att bestämma garantiperioden. Produktregistrering krävs inte för att få garantiservice på Briggs & Strattons produkter.**

#### Angående din garanti

Denna garanti täcker endast motorrelaterat defekt material och/eller utförande och täcker inte utbyte av eller ersättning för den maskin på vilken motorn kan vara monterad. Rutinunderhåll, trimningar, justeringar eller normalt slitage täcks inte av den här garantin. Garantin gäller likaledes inte om motorn har ändrats eller manipulerats eller om motorns serienummer har raderats eller tagits bort. Den här garantin täcker inte motorskador eller prestandaproblem som orsakas av:

- användning av delar som inte är Briggs & Stratton originaldelar,
- användning av motorn med otillräcklig, förorenad eller dålig kvalitet på smörjoljan,
- användning av förorenad eller gammalt bränsle, diesel med en etanolhalt som överstiger 10 % eller användning av bränslen som motogas eller naturgas på motorer som inte ursprungligen konstruerats/tillverkats av Briggs & Stratton för en funktion med sådana bränslen,
- smuts som trängt in i motorn på grund av ett dåligt underhåll av luftfiltret eller dålig återmontering,
- slag mot föremål med skärbladet på en roterande gräsklippare, lösa eller dåligt installerade bladadaptrar, pumphjul eller andra vevaxelkopplade enheter eller för hårt spänd V-rem,
- tillbehör eller enheter som t.ex. kopplingar, växellådor, utrustningsreglage, osv., som inte levereras av Briggs & Stratton,
- överhettning p.g.a klippt gräs, smuts och skräp eller gnagarnästen som täpper till kylflänsarna eller svänghjulets område eller när motorn används utan en tillräcklig ventilation,
- för hög vibration på grund av en för hög hastighet, lös montering av motorn, lösa eller obalanserade skärblad eller pumphjul eller dålig koppling av utrustningens komponenter till vevaxeln,
- felaktig användning, dåligt löpande underhåll, transport, hantering eller förvaring av utrustningen eller dålig installation av motorn.

Garantiservice tillhandahålls endast genom Briggs & Stratton auktoriserade verkstäder. Lokalisera din närmaste godkända försäljare på vår återförsäljarkarta på [BRIGGSandSTRATTON.COM](http://BRIGGSandSTRATTON.COM) eller genom att ringa 1-800-233-3723 (i USA).

80004537 (Rev. C)

Not for  
Reproduction



Not for  
Reproduction



Not for  
Reproduction