



(en) *Operator's Manual*

(es) *Manual del Operario*

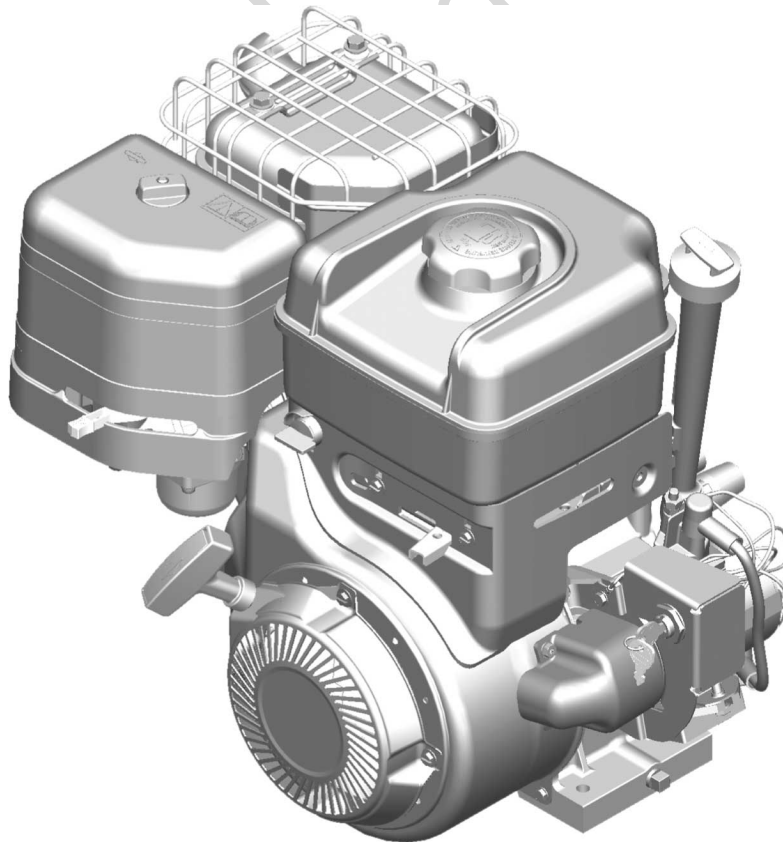
(fr) *Manuel d'utilisation*

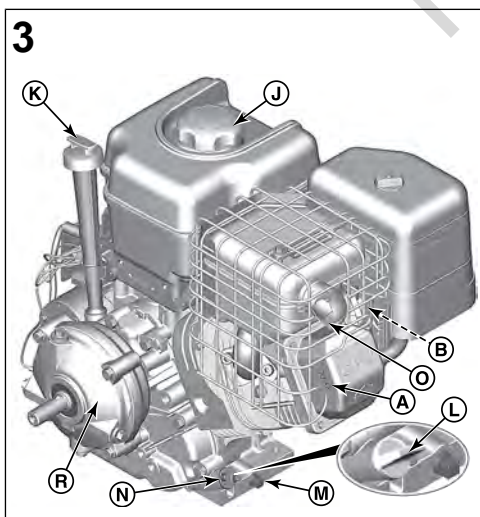
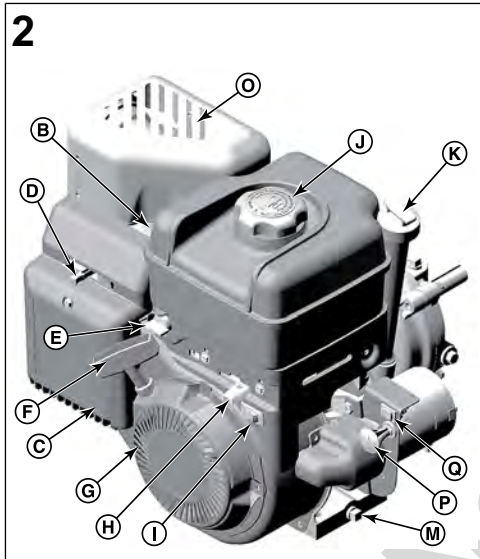
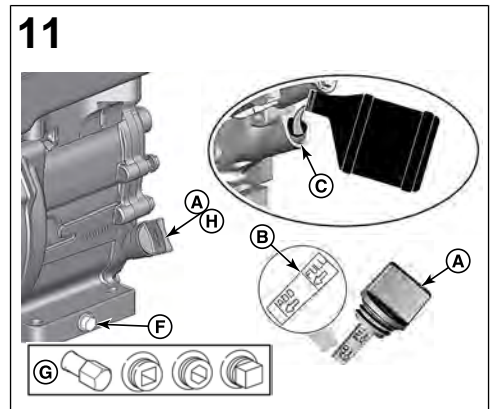
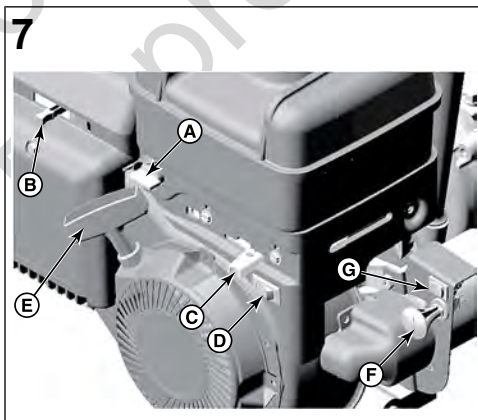
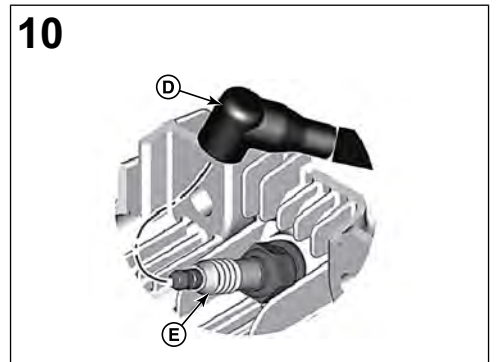
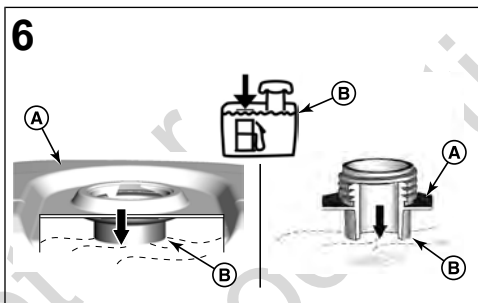
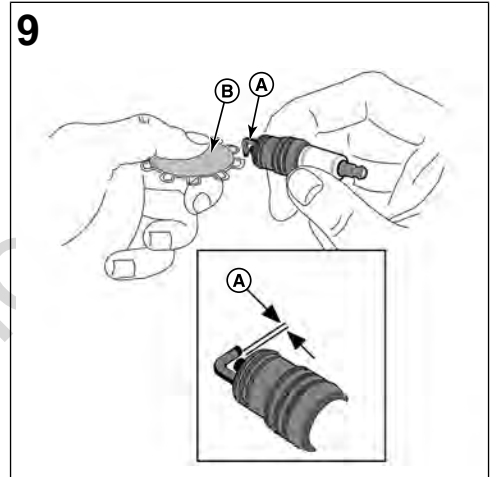
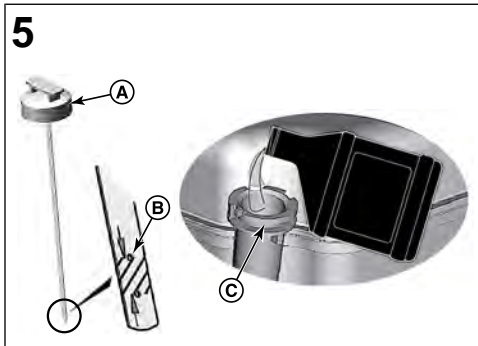
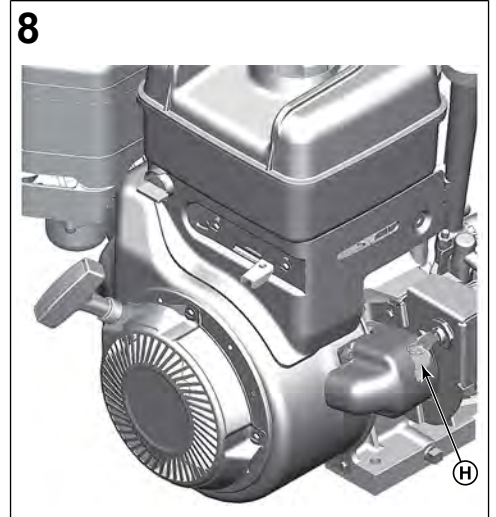
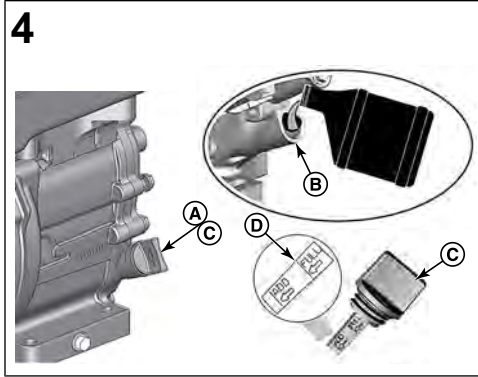
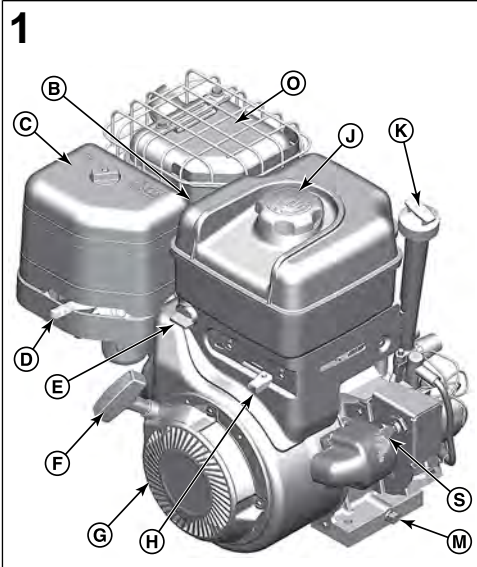
(pt) *Manual do Operador*

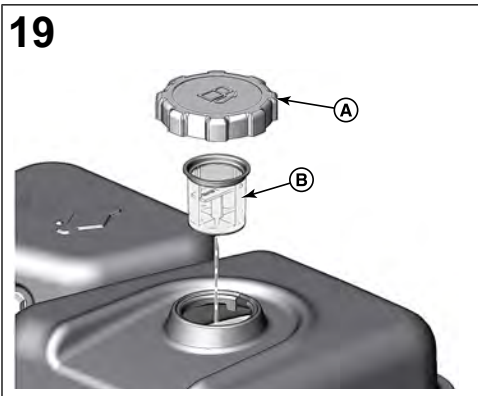
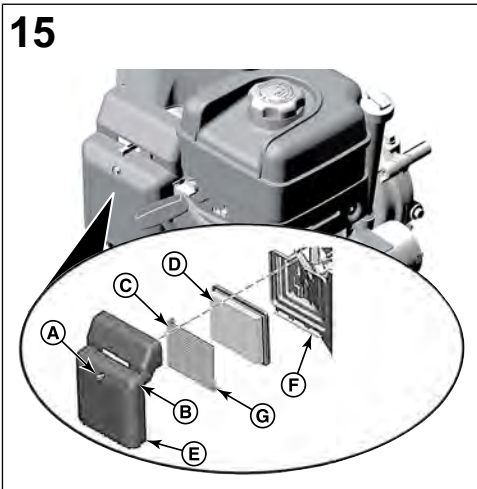
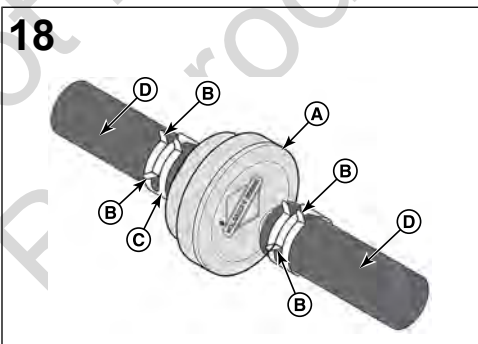
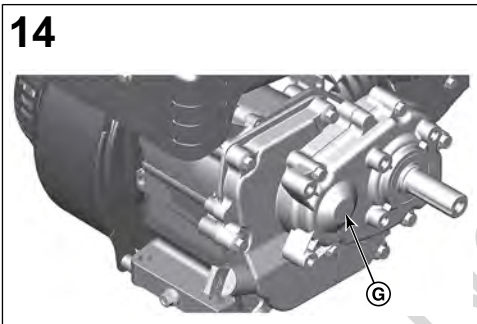
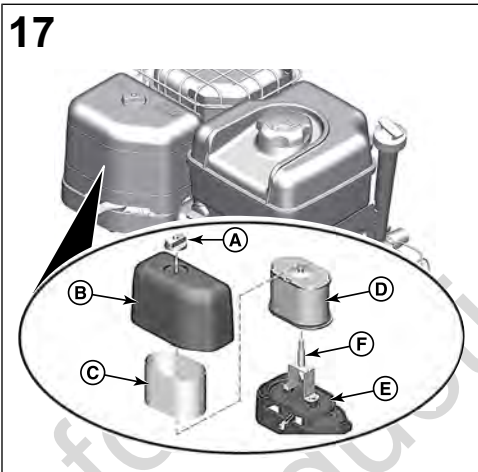
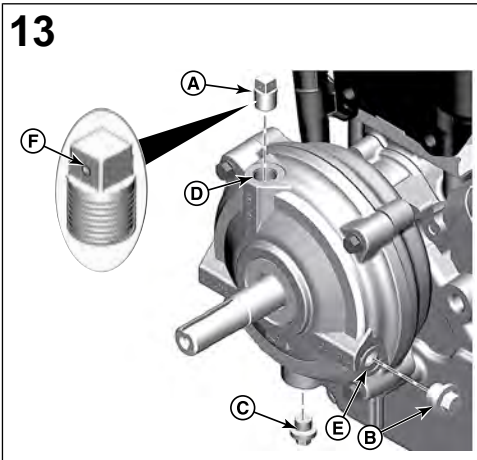
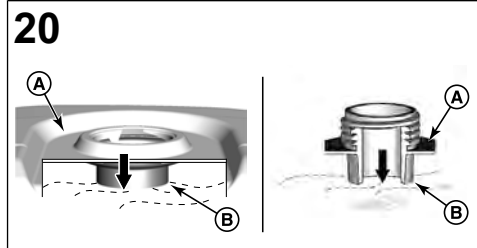
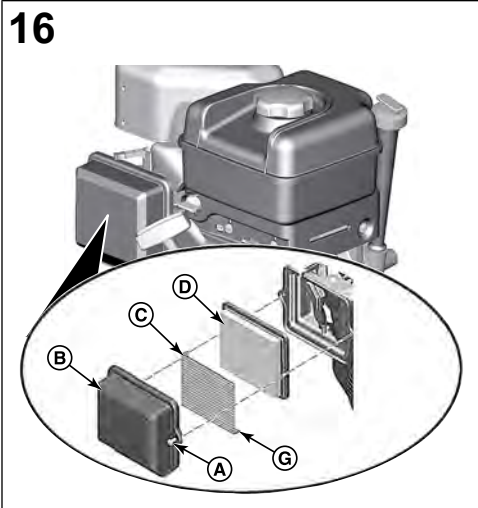
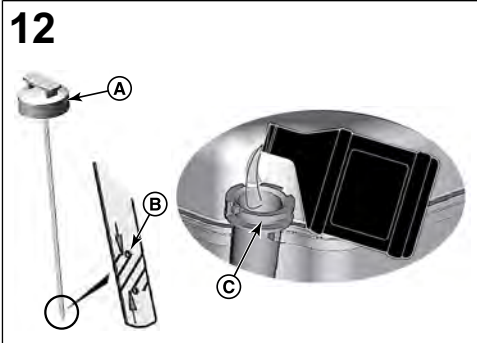
(sw) *Mwongozo wa Mwendeshaji*

(ar) *دليل المشغل*

Models: 120000
150000
200000
210000







This manual contains safety information to make you aware of the hazards and risks associated with engines and how to avoid them. It also contains instructions for the proper use and care of the engine. Because Briggs & Stratton Corporation does not necessarily know what equipment this engine will power, it is important that you read and understand these instructions and the instructions for the equipment. **Save these original instructions for future reference.**

Note: The figures and illustrations in this manual are provided for reference only and may differ from your specific model. Contact your dealer if you have questions.

For replacement parts or technical assistance, record below the engine model, type, and code numbers along with the date of purchase. These numbers are located on your engine (see the **Features and Controls** section).

Date of Purchase	
Engine Model - Type - Trim	
Engine Serial Number	

Look for the 2D barcode located on some engines. When viewed with a 2D-capable device, the code will bring up our website where you can access support information for this product. Data rates apply. Some countries may not have online support information available.



Operator Safety

Safety Alert Symbol and Signal Words

The safety alert symbol is used to identify safety information about hazards that can result in personal injury. A signal word (DANGER, WARNING, or CAUTION) is used with the alert symbol to indicate the likelihood and the potential severity of injury. In addition, a hazard symbol may be used to represent the type of hazard.

DANGER indicates a hazard which, if not avoided, **will result in death or serious injury.**

WARNING indicates a hazard which, if not avoided, **could result in death or serious injury.**

CAUTION indicates a hazard which, if not avoided, **could result in minor or moderate injury.**

NOTICE indicates an situation that **could result in damage to the product.**

Hazard Symbols and Meanings

Symbol	Meaning	Symbol	Meaning
	Safety information about hazards that can result in personal injury.		Read and understand the Operator's Manual before operating or servicing the unit.
	Fire hazard		Explosion hazard
	Shock hazard		Toxic fume hazard
	Hot surface hazard		Noise hazard - Ear protection recommended for extended use.

Symbol	Meaning	Symbol	Meaning
	Thrown object hazard - Wear eye protection.		Explosion hazard
	Frostbite hazard		Kickback hazard
	Amputation hazard - moving parts		Chemical Hazard
	Thermal heat hazard		Corrosive

Safety Messages



WARNING

Certain components in this product and its related accessories contain chemicals known to the State of California to cause cancer, birth defects, or other reproductive harm. Wash hands after handling.



WARNING

The engine exhaust from this product contains chemicals known to the State of California to cause cancer, birth defects, or other reproductive harm.



WARNING

Briggs & Stratton Engines are not designed for and are not to be used to power: fun-karts; go-karts; children's, recreational, or sport all-terrain vehicles (ATVs); motorbikes; hovercraft; aircraft products; or vehicles used in competitive events not sanctioned by Briggs & Stratton. For information about competitive racing products, see www.briggsracing.com. For use with utility and side-by-side ATVs, please contact Briggs & Stratton Engine Application Center, 1-866-927-3349. Improper engine application may result in serious injury or death.



WARNING



Fuel and its vapors are extremely flammable and explosive.

Fire or explosion can cause severe burns or death.

When Adding Fuel

- Turn engine off and let engine cool at least 2 minutes before removing the fuel cap.
- Fill fuel tank outdoors or in well-ventilated area.
- Do not overfill fuel tank. To allow for expansion of the fuel, do not fill above the bottom of the fuel tank neck.
- Keep fuel away from sparks, open flames, pilot lights, heat, and other ignition sources.
- Check fuel lines, tank, cap, and fittings frequently for cracks or leaks. Replace if necessary.
- If fuel spills, wait until it evaporates before starting engine.

When Starting Engine

- Ensure that spark plug, muffler, fuel cap and air cleaner (if equipped) are in place and secured.
- Do not crank engine with spark plug removed.
- If engine floods, set choke (if equipped) to OPEN / RUN position, move throttle (if equipped) to FAST position and crank until engine starts.

When Operating Equipment

- Do not tip engine or equipment at angle which causes fuel to spill.

- Do not choke the carburetor to stop engine.
- Never start or run the engine with the air cleaner assembly (if equipped) or the air filter (if equipped) removed.

When Changing Oil

- If you drain the oil from the top oil fill tube, the fuel tank must be empty or fuel can leak out and result in a fire or explosion.

When Tipping Unit for Maintenance

- When performing maintenance that requires the unit to be tipped, the fuel tank, if mounted on the engine, must be empty or fuel can leak out and result in a fire or explosion.

When Transporting Equipment

- Transport with fuel tank EMPTY or with fuel shut-off valve in the CLOSED position.

When Storing Fuel Or Equipment With Fuel In Tank

- Store away from furnaces, stoves, water heaters or other appliances that have pilot lights or other ignition sources because they can ignite fuel vapors.



Starting engine creates sparking.

Sparking can ignite nearby flammable gases.

Explosion and fire could result.

- If there is natural or LP gas leakage in area, do not start engine.
- Do not use pressurized starting fluids because vapors are flammable.



POISONOUS GAS HAZARD. Engine exhaust contains carbon monoxide, a poisonous gas that could kill you in minutes. You CANNOT see it, smell it, or taste it. Even if you do not smell exhaust fumes, you could still be exposed to carbon monoxide gas. If you start to feel sick, dizzy, or weak while using this product, get to fresh air RIGHT AWAY. See a doctor. You may have carbon monoxide poisoning.

- Operate this product ONLY outside far away from windows, doors and vents to reduce the risk of carbon monoxide gas from accumulating and potentially being drawn towards occupied spaces.
- Install battery-operated carbon monoxide alarms or plug-in carbon monoxide alarms with battery back-up according to the manufacturer's instructions. Smoke alarms cannot detect carbon monoxide gas.
- DO NOT run this product inside homes, garages, basements, crawlspaces, sheds, or other partially-enclosed spaces even if using fans or opening doors and windows for ventilation. Carbon monoxide can quickly build up in these spaces and can linger for hours, even after this product has shut off.
- ALWAYS place this product downwind and point the engine exhaust away from occupied spaces.



Rapid retraction of starter cord (kickback) will pull hand and arm toward engine faster than you can let go.

Broken bones, fractures, bruises or sprains could result.

- When starting engine, pull the starter cord slowly until resistance is felt and then pull rapidly to avoid kickback.
- Remove all external equipment / engine loads before starting engine.
- Direct-coupled equipment components such as, but not limited to, blades, impellers, pulleys, sprockets, etc., must be securely attached.



Rotating parts can contact or entangle hands, feet, hair, clothing, or accessories.

Traumatic amputation or severe laceration can result.

- Operate equipment with guards in place.

- Keep hands and feet away from rotating parts.
- Tie up long hair and remove jewelry.
- Do not wear loose-fitting clothing, dangling drawstrings or items that could become caught.



Running engines produce heat. Engine parts, especially muffler, become extremely hot.

Severe thermal burns can occur on contact.

Combustible debris, such as leaves, grass, brush, etc. can catch fire.

- Allow muffler, engine cylinder and fins to cool before touching.
- Remove accumulated debris from muffler area and cylinder area.
- It is a violation of California Public Resource Code, Section 4442, to use or operate the engine on any forest-covered, brush-covered, or grass-covered land unless the exhaust system is equipped with a spark arrester, as defined in Section 4442, maintained in effective working order. Other states or federal jurisdictions may have similar laws. Contact the original equipment manufacturer, retailer, or dealer to obtain a spark arrester designed for the exhaust system installed on this engine.



Unintentional sparking can result in fire or electric shock.

Unintentional start-up can result in entanglement, traumatic amputation, or laceration.

Fire hazard

Before performing adjustments or repairs:

- Disconnect the spark plug wire and keep it away from the spark plug.
- Disconnect battery at negative terminal (only engines with electric start.)
- Use only correct tools.
- Do not tamper with governor spring, links or other parts to increase engine speed.
- Replacement parts must be of the same design and installed in the same position as the original parts. Other parts may not perform as well, may damage the unit, and may result in injury.
- Do not strike the flywheel with a hammer or hard object because the flywheel may later shatter during operation.

When testing for spark:

- Use approved spark plug tester.
- Do not check for spark with spark plug removed.

Features and Controls

Engine Controls

Compare the illustration (Figure: 1, 2, 3) with your engine to familiarize yourself with the location of various features and controls.

- Engine Identification Numbers **Model - Type - Code**
- Spark Plug
- Air Cleaner (flat or oval)
- Choke Control
- Fuel Shut-off (if equipped)
- Starter Cord Handle
- Air Intake Grille
- Throttle Control (if equipped)
- Stop Switch (if equipped)
- Fuel Tank and Cap
- Extended Dipstick (if equipped)
- Short Dipstick (if equipped)
- Oil Drain Plug
- Oil Fill
- Muffler, Muffler Guard (if equipped), Spark Arrester (if equipped)

- P. Safety Key (electric start models)
- Q. ON/OFF Switch (electric start models)
- R. Gear Reduction Unit (if equipped)
- S. Key Switch (electric start models)

B	10W-30 - Above 80 °F (27 °C) the use of 10W-30 may cause increased oil consumption. Check oil level more frequently.
C	5W-30
D	Synthetic 5W-30
E	Vanguard™ Synthetic 15W-50

Engine Control Symbols and Meanings

Symbol	Meaning	Symbol	Meaning
	Engine speed - FAST		Engine speed - SLOW
	Engine speed - STOP		ON - OFF
	Engine start - Choke CLOSED		Engine start - Choke OPEN
	Fuel Cap Fuel Shut-off - OPEN		Fuel Shut-off - CLOSED
	Fuel level - Maximum Do not overfill		

Operation

Oil Recommendations

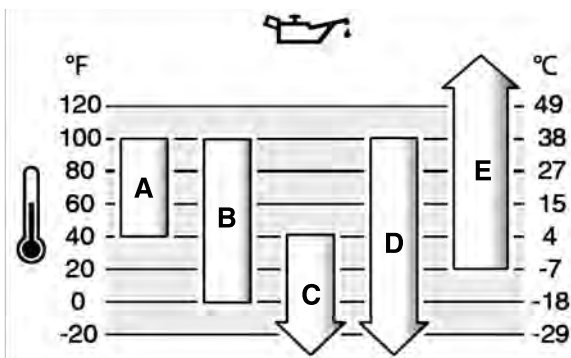
Oil Capacity: See the *Specifications* section.

NOTICE

This engine was shipped from Briggs & Stratton without oil. Equipment manufacturers or dealers may have added oil to the engine. Before you start the engine for the first time, make sure to check the oil level and add oil according to the instructions in this manual. If you start the engine without oil, it will be damaged beyond repair and will not be covered under warranty.

We recommend the use of Briggs & Stratton Warranty Certified oils for best performance. Other high-quality detergent oils are acceptable if classified for service SF, SG, SH, SJ or higher. Do not use special additives.

Outdoor temperatures determine the proper oil viscosity for the engine. Use the chart to select the best viscosity for the outdoor temperature range expected. Engines on most outdoor power equipment operate well with 5W-30 Synthetic oil. For equipment operated in hot temperatures, Vanguard™ 15W-50 Synthetic oil provides the best protection.



A	SAE 30 - Below 40 °F (4 °C) the use of SAE 30 will result in hard starting.
----------	--

Check Oil Level

See Figure: 4, 5

Before adding or checking the oil

- Make sure the engine is level.
- Clean the oil fill area of any debris.

Oil Fill Cap, if equipped

1. Remove the oil fill cap (A, Figure 4).
2. If oil level is low, slowly add oil into the engine oil fill (B, Figure 4). Fill to point of overflowing.
3. Reinstall and tighten the oil fill cap (A, Figure 4).

Short Dipstick, if equipped

1. Remove the dipstick (C, Figure 4) and wipe with a clean cloth.
2. Install the dipstick (C, Figure 4). **Do not turn or tighten.**
3. Remove the dipstick and check the oil level. Correct oil level is at the top of the full indicator (D, Figure 4) on the dipstick.
4. If oil level is low, slowly add oil into the engine oil fill (B, Figure 4). Fill to point of overflowing.
5. Reinstall and tighten the dipstick (C, Figure 4).

Extended Dipstick, if equipped

1. Remove the dipstick (A, Figure 5) and wipe with a clean cloth.
2. Install and tighten the dipstick (A, Figure 5).
3. Remove the dipstick and check the oil level. Correct oil level is at the top of the full indicator (B, Figure 5) on the dipstick.
4. If oil level is low, slowly add oil into the engine oil fill (C, Figure 5). **Do not overfill.** After adding oil, wait one minute and then recheck the oil level.
5. Reinstall and tighten the dipstick (A, Figure 5).

Low Oil Protection System (if equipped)

Some engines are equipped with a low oil sensor. If the oil is low, the sensor will either activate a warning light or stop the engine. Stop the engine and follow these steps before restarting the engine.

- Make sure the engine is level.
- Check the oil level. See the *Check Oil Level* section.
- If the oil level is low, add the proper amount of oil. Start the engine and make sure the warning light (if equipped) is not activated.
- If the oil level is not low, do not start the engine. Contact a Briggs & Stratton Authorized Service Dealer to have the oil problem corrected.

Fuel Recommendations

Fuel must meet these requirements:

- Clean, fresh, unleaded gasoline.
- A minimum of 87 octane/87 AKI (91 RON). High altitude use, see below.
- Gasoline with up to 10% ethanol (gasohol) is acceptable.

NOTICE Do not use unapproved gasolines, such as E15 and E85. Do not mix oil in gasoline or modify the engine to run on alternate fuels. Use of unapproved fuels will damage the engine components, which will not be covered under warranty.

To protect the fuel system from gum formation, mix a fuel stabilizer into the fuel. See **Storage**. All fuel is not the same. If starting or performance problems occur, change fuel providers or change brands. This engine is certified to operate on gasoline. The emissions control system for this engine is EM (Engine Modifications).

High Altitude

At altitudes over 5,000 feet (1524 meters), a minimum 85 octane/85 AKI (89 RON) gasoline is acceptable.

For carbureted engines, high altitude adjustment is required to maintain performance. Operation without this adjustment will cause decreased performance, increased fuel consumption, and increased emissions. Contact a Briggs & Stratton Authorized Service Dealer for high altitude adjustment information. Operation of the engine at altitudes below 2,500 feet (762 meters) with the high altitude adjustment is not recommended.

For Electronic Fuel Injection (EFI) engines, no high altitude adjustment is necessary.

Add Fuel

See Figure: 6



WARNING

Fuel and its vapors are extremely flammable and explosive.

Fire or explosion can cause severe burns or death.

When adding fuel

- Turn engine off and let engine cool at least 2 minutes before removing the fuel cap.
 - Fill fuel tank outdoors or in well-ventilated area.
 - Do not overfill fuel tank. To allow for expansion of the fuel, do not fill above the bottom of the fuel tank neck.
 - Keep fuel away from sparks, open flames, pilot lights, heat, and other ignition sources.
 - Check fuel lines, tank, cap, and fittings frequently for cracks or leaks. Replace if necessary.
 - If fuel spills, wait until it evaporates before starting engine.
1. Clean the fuel cap area of dirt and debris. Remove the fuel cap.
 2. Fill the fuel tank (A, Figure 6) with fuel. To allow for expansion of the fuel, do not fill above the bottom of the fuel tank neck (B).
 3. Reinstall the fuel cap.

Start and Stop Engine

See Figure: 7, 8

Start Engine



WARNING

Rapid retraction of starter cord (kickback) will pull hand and arm toward engine faster than you can let go.

Broken bones, fractures, bruises or sprains could result.

- When starting engine, pull the starter cord slowly until resistance is felt and then pull rapidly to avoid kickback.



WARNING

Fuel and its vapors are extremely flammable and explosive.

Fire or explosion can cause severe burns or death.

When Starting Engine

- Ensure that spark plug, muffler, fuel cap and air cleaner (if equipped) are in place and secured.
- Do not crank engine with spark plug removed.
- If engine floods, set choke (if equipped) to OPEN / RUN position, move throttle (if equipped) to FAST position and crank until engine starts.



WARNING

POISONOUS GAS HAZARD. Engine exhaust contains carbon monoxide, a poisonous gas that could kill you in minutes. You CANNOT see it, smell it, or taste it. Even if you do not smell exhaust fumes, you could still be exposed to carbon monoxide gas. If you start to feel sick, dizzy, or weak while using this product, shut it off and get to fresh air RIGHT AWAY. See a doctor. You may have carbon monoxide poisoning.

- Operate this product ONLY outside far away from windows, doors and vents to reduce the risk of carbon monoxide gas from accumulating and potentially being drawn towards occupied spaces.
- Install battery-operated carbon monoxide alarms or plug-in carbon monoxide alarms with battery back-up according to the manufacturer's instructions. Smoke alarms cannot detect carbon monoxide gas.
- DO NOT run this product inside homes, garages, basements, crawlspaces, sheds, or other partially-enclosed spaces even if using fans or opening doors and windows for ventilation. Carbon monoxide can quickly build up in these spaces and can linger for hours, even after this product has shut off.
- ALWAYS place this product downwind and point the engine exhaust away from occupied spaces.

NOTICE This engine was shipped from Briggs & Stratton without oil. Before you start the engine, make sure you add oil according to the instructions in this manual. If you start the engine without oil, it will be damaged beyond repair and will not be covered under warranty.

Note: Equipment may have remote controls. See the equipment manual for location and operation of remote controls.

1. Check the engine oil. See the **Check Oil Level** section.
 2. Make sure equipment drive controls, if equipped, are disengaged.
 3. Move the fuel shut-off (A, Figure 7) to the open position.
 4. Move the throttle control (C, Figure 7), if equipped, to the fast position. Operate the engine in the fast position.
 5. Move the choke control (B, Figure 7), to the choke position.
- Note:** Choke is usually unnecessary when restarting a warm engine.
6. Move the stop switch (D, Figure 7), if equipped, to the on position.
 7. **Rewind Start, if equipped:** Firmly hold the starter cord handle (E, Figure 7). Pull the starter cord handle slowly until resistance is felt, then pull rapidly.



WARNING

Rapid retraction of the starter cord (kickback) will pull your hand and arm toward the engine faster than you can let go. Broken bones, fractures, bruises or sprains could result. When starting engine, pull the starter cord slowly until resistance is felt and then pull rapidly to avoid kickback.

8. **Electric Start, if equipped with Safety Key (F):** Push in the safety key (F, Figure 7). Momentarily push the start switch (G). When the engine starts, release the start switch.
9. **Electric Start, if equipped with Automotive Key Switch (H):** Turn the key switch (H, Figure 8) to the start position. When the engine starts, release the key switch.

NOTICE To extend the life of the starter, use short starting cycles (five seconds maximum). Wait one minute between starting cycles.

10. As the engine warms up, move the choke control (B, Figure 7) to the run position.

Note: If the engine does not start after repeated attempts, go to **BRIGGSandSTRATTON.com** or contact your local dealer or call **1-800-233-3723** (in USA).

Stop Engine



WARNING

Fuel and its vapors are extremely flammable and explosive.

Fire or explosion can cause severe burns or death.

- Do not choke the carburetor to stop the engine.
1. **Throttle Control, if equipped:** Move the throttle control lever (C, Figure 7) to the slow and then to the stop position.
Stop Switch, if equipped: Move the stop switch (D, Figure 7) to the stop position.
Safety Key, if equipped: Remove the safety key (F, Figure 7) and keep it in a safe place out of the reach of children.
Key Switch, if equipped: Turn the key switch (H, Figure 8) to the off position. Remove the key and keep in a safe place out of the reach of children.
 2. After the engine stops, move the fuel shut-off (A, Figure 7) to the closed position.

Maintenance

NOTICE If the engine is tipped during maintenance, the fuel tank, if mounted on engine, must be empty and the spark plug side must be up. If the fuel tank is not empty and if the engine is tipped in any other direction, it may be difficult to start due to oil or gasoline contaminating the air filter and/or the spark plug.



WARNING

When performing maintenance that requires the unit to be tipped, the fuel tank, if mounted on the engine, must be empty or fuel can leak out and result in a fire or explosion.

We recommend that you see any Briggs & Stratton Authorized Service Dealer for all maintenance and service of the engine and engine parts.

NOTICE All the components used to build this engine must remain in place for proper operation.



WARNING



Unintentional sparking can result in fire or electric shock.

Unintentional start-up can result in entanglement, traumatic amputation, or laceration.

Fire hazard

Before performing adjustments or repairs:

- Disconnect the spark plug wire and keep it away from the spark plug.
- Disconnect battery at negative terminal (only engines with electric start.)
- Use only correct tools.
- Do not tamper with governor spring, links or other parts to increase engine speed.
- Replacement parts must be of the same design and installed in the same position as the original parts. Other parts may not perform as well, may damage the unit, and may result in injury.
- Do not strike the flywheel with a hammer or hard object because the flywheel may later shatter during operation.

When testing for spark:

- Use approved spark plug tester.
- Do not check for spark with spark plug removed.

Emissions Control Service

Maintenance, replacement, or repair of the emissions control devices and systems may be performed by any off-road engine repair establishment or individual. However, to obtain "no charge" emissions control service, the work must be performed by a factory authorized dealer. See the Emissions Control Statements.

Maintenance Schedule

First 5 Hours
<ul style="list-style-type: none"> • Change oil
Every 8 Hours or Daily
<ul style="list-style-type: none"> • Check engine oil level • Clean area around muffler and controls • Clean air intake grille
Every 25 Hours or Annually
<ul style="list-style-type: none"> • Clean air filter ¹ • Clean pre-cleaner (if equipped) ¹
Every 50 Hours or Annually
<ul style="list-style-type: none"> • Change engine oil • Service exhaust system
Every 100 Hours
<ul style="list-style-type: none"> • Change gear reduction oil (if equipped)
Annually

- Replace spark plug
- Replace air filter
- Replace pre-cleaner (if equipped)
- Replace fuel filter (if equipped)
- Service fuel system
- Service cooling system ¹
- Check valve clearance ²

¹ In dusty conditions or when airborne debris is present, clean more often.

² Not required unless engine performance problems are noted.

Carburetor and Engine Speed

Never make adjustments to the carburetor or engine speed. The carburetor was set at the factory to operate efficiently under most conditions. Do not tamper with the governor spring, linkages, or other parts to change the engine speed. If any adjustments are required contact a Briggs & Stratton Authorized Service Dealer for service.

NOTICE The equipment manufacturer specifies the maximum speed for the engine as installed on the equipment. **Do not exceed** this speed. If you are unsure what the equipment maximum speed is, or what the engine speed is set to from the factory, contact a Briggs & Stratton Authorized Service Dealer for assistance. For safe and proper operation of the equipment, the engine speed should be adjusted only by a qualified service technician.

Service Spark Plug

See Figure: 9

Check the gap (A, Figure 9) with a wire gauge (B). If necessary, reset the gap. Install and tighten the spark plug to the recommended torque. For gap setting or torque, see the **Specifications** section.

Note: In some areas, local law requires using a resistor spark plug to suppress ignition signals. If this engine was originally equipped with a resistor spark plug, use the same type for replacement.

Service Exhaust System



WARNING



Running engines produce heat. Engine parts, especially muffler, become extremely hot.

Severe thermal burns can occur on contact.

Combustible debris, such as leaves, grass, brush, etc. can catch fire.

- Allow muffler, engine cylinder and fins to cool before touching.
- Remove accumulated debris from muffler area and cylinder area.
- It is a violation of California Public Resource Code, Section 4442, to use or operate the engine on any forest-covered, brush-covered, or grass-covered land unless the exhaust system is equipped with a spark arrester, as defined in Section 4442, maintained in effective working order. Other states or federal jurisdictions may have similar laws. Contact the original equipment manufacturer, retailer, or dealer to obtain a spark arrester designed for the exhaust system installed on this engine.

Remove accumulated debris from muffler and cylinder area. Inspect the muffler for cracks, corrosion, or other damage. Remove the deflector or the spark arrester, if equipped, and inspect for damage or carbon blockage. If damage is found, install replacement parts before operating.



WARNING

Replacement parts must be of the same design and installed in the same position as the original parts. Other parts may not perform as well, may damage the unit, and may result in injury.

Change Engine Oil

See Figure: 10, 11, 12

Used oil is a hazardous waste product and must be disposed of properly. Do not discard with household waste. Check with your local authorities, service center, or dealer for safe disposal/recycling facilities.

Remove Oil

1. With engine off but still warm, disconnect the spark plug wire (D, Figure 10) and keep it away from the spark plug (E).
2. Remove the oil drain plug (F, Figure 11). Drain the oil into an approved container.

Note: Any of the oil drain plugs (G, Figure 11) may be installed in the engine.

3. After the oil has drained, install and tighten the oil drain plug (F, Figure 11).

Add Oil

- Make sure the engine is level.
- Clean the oil fill area of any debris.
- See the **Specifications** section for oil capacity.

Oil Fill Cap, if equipped

1. Remove the oil fill cap (H, Figure 11).
2. Pour the oil slowly into the engine oil fill (C, Figure 11). Fill to point of overflowing.
3. Install and tighten the oil fill cap (H, Figure 11).
4. Connect the spark plug wire (D, Figure 10) to the spark plug (E).

Short Dipstick, if equipped

1. Remove the dipstick (A, Figure 11) and wipe with a clean cloth.
2. Slowly pour oil into the engine oil fill (C, Figure 11). Fill to point of overflowing.
3. Install the dipstick (A, Figure 11). **Do not turn or tighten.** Remove and check the oil level. Correct oil level is at the top of the full indicator (B) on the dipstick.
4. Reinstall and tighten the dipstick (A, Figure 11).
5. Connect the spark plug wire (D, Figure 10) to the spark plug (E).

Extended Dipstick, if equipped

1. Remove the dipstick (A, Figure 12) and wipe with a clean cloth.
2. Slowly pour oil into the engine oil fill (C, Figure 12). **Do not overfill.** After adding oil, wait one (1) minute and then recheck the oil level.
3. Install and tighten the dipstick (A, Figure 12).
4. Remove and check the oil level. Correct oil level is at the top of the full indicator (B, Figure 12) on the dipstick.
5. Reinstall and tighten the dipstick (A, Figure 12).
6. Connect the spark plug wire (D, Figure 10) to the spark plug (E).

Change Gear Reduction Oil

See Figure: 13, 14

6:1 Gear Reduction (Figure 13)

If your engine is equipped with a 6:1 gear reduction unit, service as follows:

1. Remove the oil fill plug (A, Figure 13) and the oil level plug (B).
2. Remove the oil drain plug (C, Figure 13) and drain the oil into an appropriate receptacle.
3. Reinstall and tighten the oil drain plug (C, Figure 13).
4. To refill, slowly pour gear lube (see **Specifications** section) into the oil fill hole (D, Figure 13). Continue to pour until the oil runs out of the oil level hole (E).
5. Reinstall and tighten the oil level plug (B, Figure 13).
6. Reinstall and tighten the oil fill plug (A, Figure 13).

Note: The oil fill plug (A, Figure 13) has a vent hole (F) and must be installed on the top of the gear case cover as shown.

2:1 Gear Reduction (Figure 14)

The 2:1 gear reduction unit (G, Figure 14) does not require an oil change.

Service Air Filter

See Figure: 15, 16, 17



Fuel and its vapors are extremely flammable and explosive.

Fire or explosion can cause severe burns or death.

- Never start and run the engine with the air cleaner assembly (if equipped) or the air filter (if equipped) removed.

NOTICE Do not use pressurized air or solvents to clean the filter. Pressurized air can damage the filter and solvents will dissolve the filter.

See the **Maintenance Schedule** for service requirements.

Various models use either a foam or a paper filter. Some models may also have an optional pre-cleaner that can be washed and reused. Compare the illustrations in this manual with the type installed on your engine and service as follows.

Paper Air Filter

1. Loosen the fastener(s) (A, Figure 15, 16).
2. Remove the cover (B, Figure 15, 16).
3. Remove the pre-cleaner (C, Figure 15, 16), if equipped, and the filter (D).
4. To loosen debris, gently tap the filter (D, Figure 15, 16) on a hard surface. If the filter is excessively dirty, replace with a new filter.
5. Wash the pre-cleaner (C, Figure 15, 16), if equipped, in liquid detergent and water. Allow the pre-cleaner to thoroughly air dry. **Do not** oil the pre-cleaner.
6. Assemble the dry pre-cleaner (C, Figure 15, 16), if equipped, to the filter (D) with the lip (G) of the pre-cleaner on the bottom of the filter pleats.
7. Install the filter (D, Figure 15, 16).
8. On models equipped with air filter shown in Figure 15, install the cover tabs (E) into the slots (F).
9. Install the cover (B, Figure 15, 16) and secure with the fastener(s) (A).

Paper Air Filter

1. Loosen the fastener(s) (A, Figure 17).
2. Remove the cover (B, Figure 17).
3. Remove the pre-cleaner (C, Figure 17), if equipped, and the filter (D).
4. To loosen debris, gently tap the filter (D, Figure 17) on a hard surface. If the filter is excessively dirty, replace with a new filter.
5. Remove the pre-cleaner (C, Figure 17), if equipped, from the filter (D).
6. Wash the pre-cleaner (C, Figure 17), if equipped, in liquid detergent and water. Allow the pre-cleaner to thoroughly air dry. **Do not** oil the pre-cleaner.
7. Assemble the dry pre-cleaner (C, Figure 17), if equipped, to the filter (D).
8. Install the filter (D, Figure 17) and pre-cleaner (C), if equipped, into the base (E) and onto stud (F). Make sure the filter fits securely on base.
9. Install the air filter cover (B, Figure 17) and secure with the fastener(s) (A). Make sure the fastener(s) is tight.

Service Fuel System

See Figure: 18, 19



Fuel and its vapors are extremely flammable and explosive.

Fire or explosion can cause severe burns or death.

- Keep fuel away from sparks, open flames, pilot lights, heat, and other ignition sources.
- Check fuel lines, tank, cap, and fittings frequently for cracks or leaks. Replace if necessary.
- Before cleaning or replacing the fuel filter, drain the fuel tank or close the fuel shut-off valve.
- If fuel spills, wait until it evaporates before starting engine.
- Replacement parts must be the same and installed in the same position as the original parts.

Fuel Filter, if equipped

1. Before cleaning or replacing the fuel filter (A, Figure 18), drain the fuel tank or close the fuel shut-off valve. Otherwise, fuel can leak out and cause a fire or explosion.
2. Use pliers to squeeze tabs (B, Figure 18) on the clamps (C), then slide the clamps away from the fuel filter (A). Twist and pull the fuel lines (D) off of the fuel filter.
3. Check the fuel lines (D, Figure 18) for cracks or leaks. Replace if necessary.
4. Replace the fuel filter (A, Figure 18) with an original equipment replacement filter.
5. Secure the fuel lines (D, Figure 18) with clamps (C) as shown.

Fuel Strainer, if equipped

1. Remove the fuel cap (A, Figure 19).
2. Remove the fuel strainer (B, Figure 19).
3. If the fuel strainer is dirty, clean or replace it. If you replace the fuel strainer, make sure to use an original equipment replacement fuel strainer.

Service Cooling System



Running engines produce heat. Engine parts, especially muffler, become extremely hot.

Severe thermal burns can occur on contact.

Combustible debris, such as leaves, grass, brush, etc., can catch fire.

- Allow muffler, engine cylinder and fins to cool before touching.
- Remove accumulated debris from muffler area and cylinder area.

NOTICE Do not use water to clean the engine. Water could contaminate the fuel system. Use a brush or dry cloth to clean the engine.

This is an air cooled engine. Dirt or debris can restrict air flow and cause the engine to overheat, resulting in poor performance and reduced engine life.

1. Use a brush or dry cloth to remove debris from the air intake grille.
2. Keep linkage, springs and controls clean.
3. Keep the area around and behind the muffler, if equipped, free of any combustible debris.
4. Make sure the oil cooler fins, if equipped, are free of dirt and debris.

After a period of time, debris can accumulate in the cylinder cooling fins and cause the engine to overheat. This debris cannot be removed without partial disassembly of the engine. Have a Briggs & Stratton Authorized Service Dealer inspect and clean the air cooling system as recommended in the **Maintenance Schedule**.

Storage



Fuel and its vapors are extremely flammable and explosive.

Fire or explosion can cause severe burns or death.

When Storing Fuel Or Equipment With Fuel In Tank

- Store away from furnaces, stoves, water heaters or other appliances that have pilot lights or other ignition sources because they can ignite fuel vapors.

Fuel System

See Figure: 20

Store the engine level (normal operating position). Fill fuel tank (A, Figure 20) with fuel. To allow for expansion of fuel, do not overfill above the fuel tank neck (B).

Fuel can become stale when stored over 30 days. Stale fuel causes acid and gum deposits to form in the fuel system or on essential carburetor parts. To keep fuel fresh, use **Briggs & Stratton Advanced Formula Fuel Treatment & Stabilizer**, available wherever Briggs & Stratton genuine service parts are sold.

There is no need to drain gasoline from the engine if a fuel stabilizer is added according to instructions. Run the engine for two (2) minutes to circulate the stabilizer throughout the fuel system before storage.

If gasoline in the engine has not been treated with a fuel stabilizer, it must be drained into an approved container. Run the engine until it stops from lack of fuel. The use of a fuel stabilizer in the storage container is recommended to maintain freshness.

Engine Oil

While the engine is still warm, change the engine oil. See the **Change Engine Oil** section.

Troubleshooting

For assistance, contact your local dealer or go to **BRIGGSandSTRATTON.com** or call **1-800-233-3723** (in USA).

Specifications

Model: 120000	
Displacement	12.48 ci (205 cc)
Bore	2.688 in (65,28 mm)
Stroke	2.200 in (55,88 mm)
Oil Capacity	18 - 20 oz (.54 - .59 L)
Gear Reduction Oil Type	80W-90
Gear Reduction Oil Capacity	4 oz (0,12 L)
Spark Plug Gap	.030 in (.76 mm)
Spark Plug Torque	180 lb-in (20 Nm)
Armature Air Gap	.010 - .014 in (.25 - .36 mm)
Intake Valve Clearance	.004 - .006 in (.10 - .15 mm)
Exhaust Valve Clearance	.009 - .011 in (.23 - .28 mm)

Model: 150000	
Displacement	15.24 ci (250 cc)
Bore	2.970 in (75,44 mm)
Stroke	2.200 in (55,88 mm)
Oil Capacity	18 - 20 oz (.54 - .59 L)
Gear Reduction Oil Type	80W-90
Gear Reduction Oil Capacity	4 oz (0,12 L)
Spark Plug Gap	.030 in (.76 mm)
Spark Plug Torque	180 lb-in (20 Nm)
Armature Air Gap	.010 - .014 in (.25 - .36 mm)
Intake Valve Clearance	.004 - .006 in (.10 - .15 mm)
Exhaust Valve Clearance	.009 - .011 in (.23 - .28 mm)

Model: 200000	
Displacement	15.63 ci (305 cc)
Bore	3.120 in (79,24 mm)
Stroke	2.438 in (61,93 mm)
Oil Capacity	26 - 28 oz (.77 - .83 L)
Gear Reduction Oil Type	SAE 30
Gear Reduction Oil Capacity	12 oz (.35 L)
Spark Plug Gap	.030 in (.76 mm)
Spark Plug Torque	180 lb-in (20 Nm)
Armature Air Gap	.008 - .012 in (.20 - .30 mm)
Intake Valve Clearance	.004 - .006 in (.10 - .15 mm)
Exhaust Valve Clearance	.004 - .006 in (.10 - .15 mm)

Model: 210000	
Displacement	20.85 ci (342 cc)
Bore	3.300 in (83,81 mm)
Stroke	2.438 in (61,93 mm)
Oil Capacity	26 - 28 oz (.77 - .83 L)
Gear Reduction Oil Type	SAE 30
Gear Reduction Oil Capacity	12 oz (.35 L)
Spark Plug Gap	.030 in (.76 mm)

Model: 210000	
Spark Plug Torque	180 lb-in (20 Nm)
Armature Air Gap	.008 - .012 in (.20 - .30 mm)
Intake Valve Clearance	.004 - .006 in (.10 - .15 mm)
Exhaust Valve Clearance	.004 - .006 in (.10 - .15 mm)

Engine power will decrease 3.5% for each 1,000 feet (300 meters) above sea level and 1% for each 10° F (5.6° C) above 77° F (25° C). The engine will operate satisfactorily at an angle up to 15°. Refer to the equipment operator's manual for safe allowable operating limits on slopes.

Service Parts - Model: 120000, 150000, 200000, 210000	
Service Part	Part Number
Flat Air Filter	491588, 5043
Flat Air Filter Pre-cleaner	493537, 5064
Oval Air Filter (Models 120000, 150000)	697029, 5059
Oval Air Filter Pre-cleaner (Models 120000, 150000)	273356
Oval Air Filter (Models 200000, 210000)	695302
Oval Air Filter Pre-cleaner (Models 200000, 210000)	695303
Fuel Filter	694485
Advanced Formula Fuel Treatment & Stabilizer	100117, 100120
Resistor Spark Plug	491055
Long Life Platinum Spark Plug	5066
Spark Plug Wrench	89838, 5023
Spark Tester	19368

We recommend that you see any Briggs & Stratton Authorized Dealer for all maintenance and service of the engine and engine parts.

Power Ratings: The gross power rating for individual gasoline engine models is labeled in accordance with SAE (Society of Automotive Engineers) code J1940 Small Engine Power & Torque Rating Procedure, and is rated in accordance with SAE J1995. Torque values are derived at 2600 RPM for those engines with "rpm" called out on the label and 3060 RPM for all others; horsepower values are derived at 3600 RPM. The gross power curves can be viewed at www.BRIGGSandSTRATTON.COM. Net power values are taken with exhaust and air cleaner installed whereas gross power values are collected without these attachments. Actual gross engine power will be higher than net engine power and is affected by, among other things, ambient operating conditions and engine-to-engine variability. Given the wide array of products on which engines are placed, the gasoline engine may not develop the rated gross power when used in a given piece of power equipment. This difference is due to a variety of factors including, but not limited to, the variety of engine components (air cleaner, exhaust, charging, cooling, carburetor, fuel pump, etc.), application limitations, ambient operating conditions (temperature, humidity, altitude), and engine-to-engine variability. Due to manufacturing and capacity limitations, Briggs & Stratton may substitute an engine of higher rated power for this engine.

Warranty

Briggs & Stratton Engine Warranty

Effective January 2017

Limited Warranty

Briggs & Stratton warrants that, during the warranty period specified below, it will repair or replace, free of charge, any part that is defective in material or workmanship or both. Transportation charges on product submitted for repair or replacement under this warranty must be borne by purchaser. This warranty is effective for and is subject to the time periods and conditions stated below. For warranty service, find the nearest Authorized Service Dealer in our dealer locator map at BRIGGSandSTRATTON.COM. The purchaser must contact the Authorized Service Dealer, and then make the product available to the Authorized Service Dealer for inspection and testing.

There is no other express warranty. Implied warranties, including those of merchantability and fitness for a particular purpose, are limited to the warranty period listed below, or to the extent permitted by law. Liability for incidental or consequential damages are excluded to the extent exclusion is permitted by law. Some states or countries do not allow limitations on how long an implied warranty lasts, and some states or countries do not allow the exclusion or limitation of incidental or consequential damages, so the above limitation and exclusion may not apply to you. This warranty gives you specific legal rights and you may also have other rights which vary from state to state and country to country ⁴.

Standard Warranty Terms 1, 2, 3

Brand / Product Name	Consumer Use	Commercial Use
Vanguard™; Commercial Series	36 months	36 months
Engines Featuring Dura-Bore™ Cast Iron Sleeve	24 months	12 months
All Other Engines	24 months	3 months

¹These are our standard warranty terms, but occasionally there may be additional warranty coverage that was not determined at time of publication. For a listing of current warranty terms for your engine, go to BRIGGSandSTRATTON.com or contact your Briggs & Stratton Authorized Service Dealer.

²There is no warranty for engines on equipment used for prime power in place of a utility or for standby generators used for commercial purposes. Engines used in competitive racing or on commercial or rental tracks are not warranted.

³Vanguard installed on standby generators: 24 months consumer use, no warranty commercial use. Vanguard installed on utility vehicles: 24 months consumer use, 24 months commercial use. Commercial Series with manufacturing date before July 2017, 24 months consumer use, 24 months commercial use.

⁴In Australia - Our goods come with guarantees that cannot be excluded under the Australian Consumer Law. You are entitled to a replacement or refund for a major failure and for compensation for any other reasonably foreseeable loss or damage. You are also entitled to have the goods repaired or replaced if the goods fail to be of acceptable quality and the failure does not amount to a major failure. For warranty service, find the nearest Authorized Service Dealer in our dealer locator map at BRIGGSandSTRATTON.COM, or by calling 1300 274 447, or by emailing or writing to salesenquiries@briggsandstratton.com.au, Briggs & Stratton Australia Pty Ltd, 1 Moorebank Avenue, Moorebank, NSW, Australia, 2170.

The warranty period begins on the original date of purchase by the first retail or commercial consumer. "Consumer use" means personal residential household use by a retail consumer. "Commercial use" means all other uses, including use for commercial, income producing or rental purposes. Once an engine has experienced commercial use, it shall thereafter be considered as a commercial use engine for purposes of this warranty.

Save your proof of purchase receipt. If you do not provide proof of the initial purchase date at the time warranty service is requested, the manufacturing date of the product will be used to determine the warranty period. Product registration is not required to obtain warranty service on Briggs & Stratton products.

About Your Warranty

This limited warranty covers engine-related material and/or workmanship issues only, and not replacement or refund of the equipment to which the engine may be mounted. Routine maintenance, tune-ups, adjustments, or normal wear and tear are not covered under this warranty. Similarly, warranty is not applicable if the engine has been altered or modified or if the engine serial number has been defaced or removed. This warranty does not cover engine damage or performance problems caused by:

1. The use of parts that are not original Briggs & Stratton parts;
2. Operating the engine with insufficient, contaminated, or an incorrect grade of lubricating oil;
3. The use of contaminated or stale fuel, gasoline formulated with ethanol greater than 10%, or the use of alternative fuels such as liquefied petroleum or natural gas on engines not originally designed/manufactured by Briggs & Stratton to operate on such fuels;
4. Dirt which entered the engine because of improper air cleaner maintenance or re-assembly;
5. Striking an object with the cutter blade of a rotary lawn mower, loose or improperly installed blade adapters, impellers, or other crankshaft coupled devices, or excessive v-belt tightness;
6. Associated parts or assemblies such as clutches, transmissions, equipment controls, etc., which are not supplied by Briggs & Stratton;
7. Overheating due to grass clippings, dirt and debris, or rodent nests which plug or clog the cooling fins or flywheel area, or by operating the engine without sufficient ventilation;
8. Excessive vibration due to over-speeding, loose engine mounting, loose or unbalanced cutter blades or impellers, or improper coupling of equipment components to the crankshaft;
9. Misuse, lack of routine maintenance, shipping, handling, or warehousing of equipment, or improper engine installation.

Warranty service is available only through Briggs & Stratton Authorized Service Dealers. Locate your nearest Authorized Service Dealer in our dealer locator map at BRIGGSandSTRATTON.COM or by calling 1-800-233-3723 (in USA).

80004537 (Rev. C)

Briggs & Stratton Emissions Warranty

California, U.S. EPA, and Briggs & Stratton Corporation Emissions Control Warranty Statement - Your Warranty Rights and Obligations

For Briggs & Stratton Engine Models with "F" Trim Designation (Model-Type-Trim Representation xxxxxx xxxx Fx)

The California Air Resources Board, U.S. EPA, and Briggs & Stratton (B&S) are pleased to explain the emissions control system warranty on your Model Year 2017-2019 engine/equipment. In California, new small off-road engines and large spark ignited engines less than or equal to 1.0 liter must be designed, built, and equipped to meet the State's stringent anti-smog standards. B&S must warrant the emissions control system on your engine/equipment for the periods of time listed below provided there has been no abuse, neglect, or improper maintenance of your engine/equipment.

Your exhaust emissions control system may include parts such as the carburetor or fuel injection system, ignition system, and catalytic converter. Also included may be hoses, belts, connectors, sensors, and other emissions-related assemblies. Your evaporative emission control system may include parts such as: carburetors, fuel tanks, fuel lines, fuel caps, valves, canisters, filters, vapor hoses, clamps, connectors, and other associated components.

Where a warrantable condition exists, B&S will repair your engine/equipment at no cost to you including diagnosis, parts, and labor.

Manufacturer's Warranty Coverage:

Small off-road engines and large spark ignited engines less than or equal to 1.0 liter, and any related emissions components of the equipment, are warranted for two years, or for the time period listed in the respective engine or product warranty statement, whichever is greater. If any emissions-related part on your B&S engine/equipment is defective, the part will be repaired or replaced by B&S.

Owner's Warranty Responsibilities:

- As the engine/equipment owner, you are responsible for the performance of the required maintenance listed in your Operator's Manual. B&S recommends that you retain all receipts covering maintenance on your engine/equipment, but B&S cannot deny warranty solely for the lack of receipts or your failure to ensure the performance of all scheduled maintenance.
- As the engine/equipment owner, you should however be aware that B&S may deny you warranty coverage if your engine/equipment or a part has failed due to abuse, neglect, improper maintenance, or unapproved modifications.
- You are responsible for presenting your engine/equipment to a B&S distribution center, servicing dealer, or other equivalent entity, as applicable, as soon as a problem exists. The warranty repairs should be completed in a reasonable amount of time, not to exceed 30 days. If you have any questions regarding your warranty rights and responsibilities, you should contact B&S at 1-800-444-7774 (in USA) or BRIGGSandSTRATTON.COM.

Briggs & Stratton Emissions Control Warranty Provisions

The following are specific provisions relative to your Emissions Control Warranty Coverage. It is in addition to the B&S engine warranty for non-regulated engines found in the Operator's Manual.

1. Warranted Emissions Parts
Coverage under this warranty extends only to the parts listed below (the emissions control systems parts) to the extent these parts were present on the B&S engine and/or B&S supplied fuel system.
 - a. Fuel Metering System
 - Cold start enrichment system (soft choke)
 - Carburetor or fuel injection system
 - Oxygen sensor
 - Electronic control unit
 - Fuel pump module
 - Fuel line, fuel line fittings, clamps
 - Fuel tank, cap and tether
 - Carbon canister
 - b. Air Induction System
 - Air cleaner
 - Intake manifold
 - Purge and vent line
 - c. Ignition System
 - Spark plug(s)
 - Magneto ignition system

- d. Catalyst System
 - Catalytic converter
 - Exhaust manifold
 - Air injection system or pulse valve
- e. Miscellaneous Items Used in Above Systems
 - Vacuum, temperature, position, time sensitive valves and switches
 - Connectors and assemblies

2. Length of Coverage

Coverage is for a period of two years from date of original purchase, or for the time period listed in the respective engine or product warranty statement, whichever is greater. B&S warrants to the original purchaser and each subsequent purchaser that the engine is designed, built, and equipped so as to conform with all applicable regulations adopted by the Air Resources Board; that it is free from defects in material and workmanship that could cause the failure of a warranted part; and that it is identical in all material respects to the engine described in the manufacturer's application for certification. The warranty period begins on the date the engine is originally purchased.

The warranty on emissions-related parts is as follows:

- Any warranted part that is not scheduled for replacement as required maintenance in the Operator's Manual supplied, is warranted for the warranty period stated above. If any such part fails during the period of warranty coverage, the part will be repaired or replaced by B&S at no charge to the owner. Any such part repaired or replaced under the warranty will be warranted for the remaining warranty period.
- Any warranted part that is scheduled only for regular inspection in the Operator's Manual supplied, is warranted for the warranty period stated above. Any such part repaired or replaced under warranty will be warranted for the remaining warranty period.
- Any warranted part that is scheduled for replacement as required maintenance in the Operator's Manual supplied, is warranted for the period of time prior to the first scheduled replacement point for that part. If the part fails prior to the first scheduled replacement, the part will be repaired or replaced by B&S at no charge to the owner. Any such part repaired or replaced under warranty will be warranted for the remainder of the period prior to the first scheduled replacement point for the part.
- Add-on or modified parts that are not exempted by the Air Resources Board may not be used. The use of any non-exempted add-on or modified parts by the owner will be grounds for disallowing a warranty claim. The manufacturer will not be liable to warrant failures of warranted parts caused by the use of a non-exempted add-on or modified part.

3. Consequential Coverage

Coverage shall extend to the failure of any engine components caused by the failure of any warranted emissions parts.

4. Claims and Coverage Exclusions

Warranty claims shall be filed according to the provisions of the B&S engine warranty policy. Warranty coverage does not apply to failures of emissions parts that are not original equipment B&S parts or to parts that fail due to abuse, neglect, or improper maintenance as set forth in the B&S engine warranty policy. B&S is not liable for warranty coverage of failures of emissions parts caused by the use of add-on or modified parts.

Look For Relevant Emissions Durability Period and Air Index Information On Your Small Off-Road Engine Emissions Label

Engines that are certified to meet the California Air Resources Board (CARB) small off-road Emissions Standard must display information regarding the Emissions Durability Period and the Air Index. Briggs & Stratton makes this information available to the consumer on our emissions labels. The engine emissions label will indicate certification information.

The **Emissions Durability Period** describes the number of hours of actual running time for which the engine is certified to be emissions compliant, assuming proper maintenance in accordance with the Operator's Manual. The following categories are used:

Moderate:

Engines at or less than 80 cc displacement are certified to be emissions compliant for 50 hours of actual engine running time. Engines greater than 80 cc displacement are certified to be emissions compliant for 125 hours of actual engine running time.

Intermediate:

Engines at or less than 80 cc displacement are certified to be emissions compliant for 125 hours of actual engine running time. Engines greater than 80 cc displacement are certified to be emissions compliant for 250 hours of actual engine running time.

Extended:

Engines at or less than 80 cc displacement are certified to be emissions compliant for 300 hours of actual engine running time. Engines greater than 80 cc displacement are certified to be emissions compliant for 500 hours of actual engine running time.

For example, a typical walk-behind lawn mower is used 20 to 25 hours per year. Therefore, the **Emissions Durability Period** of an engine with an **intermediate** rating would equate to 10 to 12 years.

Briggs & Stratton engines are certified to meet the United States Environmental Protection Agency (USEPA) Phase 2 or Phase 3 emissions standards. The Emissions Compliance Period referred to on the Emissions Compliance label indicates the number of operating hours for which the engine has been shown to meet Federal emissions requirements.

For engines at or less than 80 cc displacement:

Category C = 50 hours, Category B = 125 hours, Category A = 300 hours

For engines greater than 80 cc displacement and less than 225 cc displacement:

Category C = 125 hours, Category B = 250 hours, Category A = 500 hours

For engines of 225 cc or more displacement:

Category C = 250 hours, Category B = 500 hours, Category A = 1000 hours

80008256 (Rev F)

California, U.S. EPA, and Briggs & Stratton Corporation Emissions Control Warranty Statement - Your Warranty Rights and Obligations

For Briggs & Stratton Engine Models with "B" or "G" Trim Designation (Model-Type-Trim Representation xxxxxx xxxx Bx or xxxxxx xxx Gx)

The California Air Resources Board, U.S. EPA, and Briggs & Stratton (B&S) are pleased to explain the emissions control system warranty on your Model Year 2017-2019 engine. In California, new small off-road engines and large spark ignited engines less than or equal to 1.0 liter must be designed, built, and equipped to meet the State's stringent anti-smog standards. B&S must warrant the emissions control system on your engine for the periods of time listed below provided there has been no abuse, neglect, or improper maintenance of your engine.

Your exhaust emissions control system may include parts such as the carburetor or fuel injection system, ignition system, and catalytic converter. Also included may be hoses, belts, connectors, sensors, and other emissions-related assemblies.

Where a warrantable condition exists, B&S will repair your engine at no cost to you including diagnosis, parts, and labor.

Manufacturer's Warranty Coverage:

Small off-road engines and large spark ignited engines less than or equal to 1.0 liter, and any related emissions components of the equipment, are warranted for two years, or for the time period listed in the respective engine or product warranty statement, whichever is greater. If any emissions-related part on your B&S engine is defective, the part will be repaired or replaced by B&S.

Owner's Warranty Responsibilities:

- As the engine owner, you are responsible for the performance of the required maintenance listed in your Operator's Manual. B&S recommends that you retain all receipts covering maintenance on your engine, but B&S cannot deny warranty solely for the lack of receipts or your failure to ensure the performance of all scheduled maintenance.
- As the engine owner, you should however be aware that B&S may deny you warranty coverage if your engine or a part has failed due to abuse, neglect, improper maintenance, or unapproved modifications.
- You are responsible for presenting your engine to a B&S distribution center, servicing dealer, or other equivalent entity, as applicable, as soon as a problem exists. The warranty repairs should be completed in a reasonable amount of time, not to exceed 30 days. If you have any questions regarding your warranty rights and responsibilities, you should contact B&S at 1-800-444-7774 (in USA) or BRIGGSandSTRATTON.COM.

Briggs & Stratton Emissions Control Warranty Provisions

The following are specific provisions relative to your Emissions Control Warranty Coverage. It is in addition to the B&S engine warranty for non-regulated engines found in the Operator's Manual.

1. Warranted Emissions Parts
Coverage under this warranty extends only to the parts listed below (the emissions control systems parts) to the extent these parts were present on the B&S engine.
 - a. Fuel Metering System
 - Cold start enrichment system (soft choke)
 - Carburetor or fuel injection system
 - Oxygen sensor
 - Electronic control unit
 - Fuel pump module

- b. Air Induction System
 - Air cleaner
 - Intake manifold
- c. Ignition System
 - Spark plug(s)
 - Magneto ignition system
- d. Catalyst System
 - Catalytic converter
 - Exhaust manifold
 - Air injection system or pulse valve
- e. Miscellaneous Items Used in Above Systems
 - Vacuum, temperature, position, time sensitive valves and switches
 - Connectors and assemblies

2. Length of Coverage
Coverage is for a period of two years from date of original purchase, or for the time period listed in the respective engine or product warranty statement, whichever is greater. B&S warrants to the original purchaser and each subsequent purchaser that the engine is designed, built, and equipped so as to conform with all applicable regulations adopted by the Air Resources Board; that it is free from defects in material and workmanship that could cause the failure of a warranted part; and that it is identical in all material respects to the engine described in the manufacturer's application for certification. The warranty period begins on the date the engine is originally purchased.

The warranty on emissions-related parts is as follows:

- Any warranted part that is not scheduled for replacement as required maintenance in the Operator's Manual supplied, is warranted for the warranty period stated above. If any such part fails during the period of warranty coverage, the part will be repaired or replaced by B&S at no charge to the owner. Any such part repaired or replaced under the warranty will be warranted for the remaining warranty period.
 - Any warranted part that is scheduled only for regular inspection in the Operator's Manual supplied, is warranted for the warranty period stated above. Any such part repaired or replaced under warranty will be warranted for the remaining warranty period.
 - Any warranted part that is scheduled for replacement as required maintenance in the Operator's Manual supplied, is warranted for the period of time prior to the first scheduled replacement point for that part. If the part fails prior to the first scheduled replacement, the part will be repaired or replaced by B&S at no charge to the owner. Any such part repaired or replaced under warranty will be warranted for the remainder of the period prior to the first scheduled replacement point for the part.
 - Add-on or modified parts that are not exempted by the Air Resources Board may not be used. The use of any non-exempted add-on or modified parts by the owner will be grounds for disallowing a warranty claim. The manufacturer will not be liable to warrant failures of warranted parts caused by the use of a non-exempted add-on or modified part.
3. Consequential Coverage
Coverage shall extend to the failure of any engine components caused by the failure of any warranted emissions parts.
 4. Claims and Coverage Exclusions
Warranty claims shall be filed according to the provisions of the B&S engine warranty policy. Warranty coverage does not apply to failures of emissions parts that are not original equipment B&S parts or to parts that fail due to abuse, neglect, or improper maintenance as set forth in the B&S engine warranty policy. B&S is not liable for warranty coverage of failures of emissions parts caused by the use of add-on or modified parts.

Look For Relevant Emissions Durability Period and Air Index Information On Your Small Off-Road Engine Emissions Label

Engines that are certified to meet the California Air Resources Board (CARB) small off-road Emissions Standard must display information regarding the Emissions Durability Period and the Air Index. Briggs & Stratton makes this information available to the consumer on our emissions labels. The engine emissions label will indicate certification information.

The **Emissions Durability Period** describes the number of hours of actual running time for which the engine is certified to be emissions compliant, assuming proper maintenance in accordance with the Operator's Manual. The following categories are used:

Moderate:

Engines at or less than 80 cc displacement are certified to be emissions compliant for 50 hours of actual engine running time. Engines greater than 80 cc displacement are certified to be emissions compliant for 125 hours of actual engine running time.

Intermediate:

Engines at or less than 80 cc displacement are certified to be emissions compliant for 125 hours of actual engine running time. Engines greater than 80 cc displacement are certified to be emissions compliant for 250 hours of actual engine running time.

Extended:

Engines at or less than 80 cc displacement are certified to be emissions compliant for 300 hours of actual engine running time. Engines greater than 80 cc displacement are certified to be emissions compliant for 500 hours of actual engine running time.

For example, a typical walk-behind lawn mower is used 20 to 25 hours per year. Therefore, the **Emissions Durability Period** of an engine with an **intermediate** rating would equate to 10 to 12 years.

Briggs & Stratton engines are certified to meet the United States Environmental Protection Agency (USEPA) Phase 2 or Phase 3 emissions standards. The Emissions Compliance Period referred to on the Emissions Compliance label indicates the number of operating hours for which the engine has been shown to meet Federal emissions requirements.

For engines at or less than 80 cc displacement:

Category C = 50 hours, Category B = 125 hours, Category A = 300 hours

For engines greater than 80 cc displacement and less than 225 cc displacement:

Category C = 125 hours, Category B = 250 hours, Category A = 500 hours

For engines of 225 cc or more displacement:

Category C = 250 hours, Category B = 500 hours, Category A = 1000 hours

80008114 (Rev F)

Not for
Reproduction

Este manual contiene información de seguridad para advertirle sobre los peligros y riesgos asociados con motores y cómo evitarlos. También contiene instrucciones para uso y cuidado correctos del motor. Debido a que Briggs & Stratton Corporation no necesariamente sabe para qué equipo se utilizará este motor, es importante que usted lea y comprenda estas instrucciones y las instrucciones de su equipo. **Conserve estas instrucciones originales para consulta futura.**

Nota: Las figuras e ilustraciones en este manual son provistas solo para consulta y pueden no ser iguales a su modelo específico. Si tiene preguntas, comuníquese con su distribuidor.

Para piezas de repuesto o asistencia técnica, anote a continuación el modelo, tipo y números de código del motor, junto con la fecha de compra. Estos números están ubicados en su motor (vea la sección de **Características y Controles**).

Fecha de compra	
Modelo del motor - Tipo - Reglaje	
Número de Serie del motor	

Busque el código de barras 2D que se encuentra en algunos motores. Cuando se ve con un dispositivo con capacidad 2D, el código hará surgir nuestro sitio web donde puede acceder a información de soporte para este producto. Corresponden tarifas de datos. Algunos países pueden no tener información de soporte en línea disponible.



Seguridad del operador

Símbolo de alerta de seguridad y palabras de señalización

El símbolo de alerta de seguridad se usa para identificar información de seguridad sobre riesgos que pueden provocar lesiones personales. Se usa una palabra de señalización (PELIGRO, ADVERTENCIA o ATENCIÓN) junto con el símbolo de alerta para indicar la probabilidad y la gravedad potencial de las lesiones. Además, se puede usar un símbolo de riesgo para representar el tipo de riesgo.

PELIGRO indica un riesgo que, si no se evita, **ocasionará la muerte o lesiones graves.**

ADVERTENCIA indica un riesgo que, si no se evita, **podría ocasionar la muerte o lesiones graves.**

ATENCIÓN indica un riesgo que, si no se evita, **podría ocasionar lesiones menores o moderadas.**

AVISO indica una situación que **podría provocar daños al producto.**

Símbolos de peligro y sus significados

Símbolo	Significado	Símbolo	Significado
	Información de seguridad sobre los riesgos que pueden provocar lesiones físicas.		Lea y entienda el Manual del Operador antes de operar o reparar la unidad.
	Peligro de incendio		Peligro de explosión
	Peligro de descarga		Peligro de emisión de vapores tóxicos

Símbolo	Significado	Símbolo	Significado
	Peligro de superficie caliente		Peligro de ruido: se recomienda el uso prolongado de protección para los oídos.
	Peligro de caída de objetos: utilice protección para los ojos.		Peligro de explosión
	Peligro de congelación		Peligro de retroceso violento
	Peligro de amputación: piezas móviles		Peligro químico
	Peligro de calor		Corrosivo

Mensajes de seguridad



ADVERTENCIA

Ciertos componentes en este producto y sus accesorios correspondientes contienen químicos considerados para el Estado de California como causantes de cáncer, defectos de nacimiento u otros daños reproductivos. Lávese las manos después de manipular estos elementos.



ADVERTENCIA

El escape del motor de este producto contiene sustancias químicas reconocidas en el estado de California por producir cáncer, defectos de nacimiento u otros daños que pueden ser perjudiciales para la reproducción.



ADVERTENCIA

Los motores Briggs & Stratton no están diseñados para y no deben utilizarse para impulsar "karts" recreativos o deportivos; vehículos recreativos para niños o deportivos todo terreno; motos; aerodeslizadores; productos de aeronaves o vehículos utilizados en eventos competitivos no sancionados por Briggs & Stratton. Para obtener información sobre productos para carreras competitivas, vaya a www.briggsracing.com. Para uso con vehículos utilitarios y side-by-side todo terreno, contáctese con el Centro de Aplicación de Motores Briggs & Stratton al 1-866-927-3349. El uso del motor para aplicaciones inadecuadas puede generar lesiones graves o la muerte.



ADVERTENCIA



El combustible y sus vapores son extremadamente inflamables y explosivos.

El fuego o la explosión pueden causar quemaduras graves o la muerte.

Cuando agregue combustible

- Apague el motor y deje que se enfríe por lo menos 2 minutos antes de remover la tapa del combustible.
- Llene el tanque de combustible en exteriores o en un área bien ventilada.
- No llene excesivamente el tanque de combustible. Para permitir la expansión del combustible, no llene el tanque por arriba de la parte inferior del cuello.
- Mantenga el combustible alejado de chispas, llamas abiertas, testigos piloto, fuentes de calor y otras fuentes de encendido.
- Compruebe con frecuencia si existen grietas o fugas en las mangueras de combustible, el tanque, la tapa y en los accesorios. Reemplace las piezas, si es necesario.
- Si se derramó combustible, espere hasta que se haya evaporado antes arrancar el motor.

Cuando encienda el motor

- Asegúrese de que la bujía, el silenciador, la tapa del combustible y el filtro de aire (si está equipado) estén colocados y fijos en su lugar.
- No haga girar el motor si retiró la bujía.
- Si el motor se ahoga, coloque el estrangulador (si está equipado) en la posición de apertura/funcionamiento (OPEN/RUN), coloque el acelerador (si está equipado) en la posición de velocidad (FAST) y arranque el motor hasta que se encienda.

Cuando opere el equipo

- No incline el motor ni el equipo de forma que pueda derramarse el combustible.
- No estrangule el carburador para detener el motor.
- Nunca encienda o haga funcionar el motor sin el conjunto del purificador de aire (si tiene) o el filtro de aire (si tiene).

Cuando cambie el aceite

- Si drena el aceite desde el tubo superior de llenado de aceite, el tanque de combustible debe estar vacío o de lo contrario podría presentarse una fuga de combustible que podría ocasionar un incendio o una explosión.

Cuando incline la unidad para trabajos de mantenimiento

- Al realizar trabajos de mantenimiento que requieran inclinar la unidad, el tanque de combustible, si está montado en el motor, debe estar vacío o podría haber una fuga de combustible y generar un incendio o una explosión.

Cuando transporte el equipo

- Transporte con el tanque de combustible VACÍO o con la válvula de cierre de combustible en la posición CLOSED.

Cuando almacene el combustible o el equipo con combustible en el tanque

- Almacénelo a distancia de hornos, estufas, calentadores de agua u otros aparatos que utilicen testigos piloto u otras fuentes de encendido ya que estos pueden encender vapores combustibles.



ADVERTENCIA

Dar arranque al motor crea chispeo.

El chispeo puede encender los gases inflamables cercanos, lo que podría ocasionar una explosión o un incendio.

- Si hay una fuga de gas natural o gas propano LP en el área, no le de arranque al motor.
- No use líquidos de arranque presurizados ya que los vapores son inflamables.



ADVERTENCIA

PELIGRO DE GAS TÓXICO. La descarga de escape del motor contiene monóxido de carbono, un gas tóxico que puede matar en minutos. NO puede verlo, es inodoro e insípido. Incluso si no huele los gases del escape, puede estar expuesto al monóxido de carbono. Si comienza a sentirse mareado o débil cuando utiliza el producto, tome aire fresco inmediatamente y Consulte a un médico. Puede haberse intoxicado con monóxido de carbono.

- Opere este producto SOLAMENTE al aire libre, lejos de ventanas, puertas y ventilaciones, para reducir el riesgo de que el monóxido de carbono se acumule y pueda circular a espacios habitados.
- Instale alarmas de monóxido de carbono con baterías o enchufe (batería de respaldo) siguiendo las instrucciones del fabricante. Las alarmas de humo no pueden detectar el monóxido de carbono.
- NO opere este producto dentro de hogares, garajes, sótanos, espacios reducidos, cobertizos u otros espacios parcialmente cerrados, incluso si usa ventiladores o deja las puertas y ventanas abiertas. El monóxido de carbono se puede acumular rápidamente en estos espacios y puede permanecer durante horas, incluso después de que se apaga este producto.
- SIEMPRE coloque este producto en la dirección del viento y apunte el escape del motor lejos de espacios habitados.



ADVERTENCIA

La retracción rápida de la cuerda del arranque (retroceso violento) le halará la mano y el brazo hacia el motor antes de que pueda soltarla.

Podría causar huesos rotos, fracturas, hematomas o esguinces.

- Cuando arranque el motor, tire lentamente de la cuerda hasta sentir una resistencia y, a continuación, tire rápidamente de ella para evitar su retroceso.
- Remueva todas las cargas externas del equipo/motor antes de darle arranque al motor.
- Los componentes del equipo de acoplamiento directo, como cuchillas, impulsores, poleas, ruedas dentadas, entre otros, se deben colocar firmemente.



ADVERTENCIA

Las partes rotantes pueden tener contacto o atrapar las manos, los pies, el cabello, la ropa o los accesorios.

podría ocasionar una amputación traumática o una laceración grave.

- Opere el equipo con los protectores en su lugar.
- Mantenga las manos y los pies a distancia de las partes rotantes.
- Recoja el pelo largo y quítese cualquier joya.
- No use ropa floja, tiras que cuelguen ni artículos que puedan ser agarrados.



ADVERTENCIA

El funcionamiento de los motores produce calor. Las piezas de los motores, especialmente el silenciador, se calientan demasiado.

Pueden ocurrir graves quemaduras al tocarlas.

Los desechos combustibles, tal como hojas, grama, maleza, etc. pueden prenderse fuego.

- Deje que el silenciador, el cilindro y las aletas del motor se enfríen antes de tocarlos.
- Extraiga los desechos acumulados en el área del silenciador y en el área del cilindro.
- Es una violación del Código de Recursos Públicos de California, Sección 4442, utilizar u operar el motor en cualquier espacio con árboles, maleza o grama a menos que el sistema de escape esté equipado con un extintor de chispas, como lo define la Sección 4442, mantenido en correcto funcionamiento. Otros estados o jurisdicciones federales pueden tener leyes similares. Póngase en contacto con el vendedor, el distribuidor o el fabricante del equipo original para obtener un extintor de chispas diseñado para el sistema de escape instalado en este motor.



ADVERTENCIA

Las chispas no intencionales pueden provocar un incendio o una descarga eléctrica.

El arranque accidental puede provocar enredos, amputaciones traumáticas o laceraciones.

Peligro de incendio

Antes de hacer ajustes o reparaciones:

- Desconecte el cable de la bujía y manténgalo lejos de la bujía.
- Desconecte la batería en la terminal negativa (únicamente motores con arranque eléctrico).
- Use solamente las herramientas correctas.
- No manipule el resorte del regulador, las conexiones u otras piezas para aumentar la velocidad del motor.
- Las piezas de repuesto deben ser del mismo diseño y deben ser instaladas en la misma posición que las piezas originales. Otras piezas pueden no funcionar igual de bien, pueden dañar la unidad, y pueden causar lesiones.
- No golpee la volante con un martillo ni con un objeto pesado ya que la volante podría astillarse más adelante durante la operación.

Cuando haga las pruebas de chispa:

- Use un probador de bujías aprobado.
- No haga las pruebas de chispa sin la bujía en su lugar.

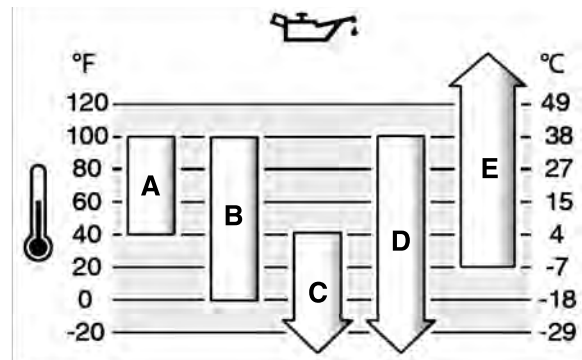
Características y Controles

Controles del motor

Compare la ilustración (Figura: 1, 2, 3,) con su motor para familiarizarse con la ubicación de diversas características y controles.

- A. Números de identificación del motor **Modelo - Tipo - Código**
- B. Bujía
- C. Filtro de aire (oval o plano)
- D. Control del estrangulador
- E. Cierre de combustible (si está equipado)
- F. Manija Cuerda Arranque
- G. Parrilla de la admisión de aire
- H. Control de aceleración (si lo tuviera)
- I. Suiche de parada (si está equipado)
- J. Tanque y Tapa de Combustible
- K. Varilla de nivel extendida (si tiene)
- L. Varilla de nivel corta (si tiene)
- M. Tapón Drenaje Aceite
- N. Llenado de Aceite
- O. Silenciador, protector de silenciador (si lo tuviera), supresor de chispas (si lo tuviera)
- P. Llave de seguridad (modelos con arranque eléctrico)
- Q. Interruptor de encendido/apagado (ON/OFF) (modelos con arranque eléctrico)
- R. Unidad reductora de vel. de engranajes (si tiene)
- S. Interruptor de llave (modelos con arranque eléctrico)

Las temperaturas exteriores determinarán la viscosidad adecuada del aceite para el motor. Use la tabla para seleccionar la mejor viscosidad según el margen de temperatura exterior que se espera. Los motores en la mayoría de equipos de energía al aire libre funcionan bien con aceite sintético 5W-30. Para equipos que funcionan a altas temperaturas, el aceite sintético Vanguard™ 15W-50 proporciona la mejor protección.



A	SAE 30 - SAE 30 El uso de SAE 30 a temperaturas inferiores a 4 °C (40 °F) provocará dificultades de arranque.
B	10W-30 - El uso de 10W30 a temperaturas mayores a 27 °C (80 °F) puede provocar un aumento en el consumo de aceite. Revise el nivel de aceite con mayor frecuencia.
C	5W-30
D	5W-30 sintético
E	Vanguard™ Sintético 15W-50

Símbolos de los controles del motor y sus significados

Símbolo	Significado	Símbolo	Significado
	Velocidad del motor: rápida		Velocidad del motor: lenta
	Velocidad del motor: parado		ON - OFF (ABIERTO - CERRADO)
	Arranque del motor - Estrangulador CERRADO		Arranque del motor - Estrangulador ABIERTO
	Tapa del combustible Cierre de combustible - ABIERTO		Cierre de combustible - CERRADO
	Nivel de combustible - Máximo No llene en exceso.		

Operación

Recomendaciones sobre el aceite

Capacidad de aceite Ver la sección **Especificaciones**.

AVISO

Este motor fue enviado desde Briggs & Stratton sin aceite. Los fabricantes o distribuidores de equipos pueden haber añadido aceite al motor. Antes de arrancar el motor, asegúrese de agregar aceite según las instrucciones de este manual. Si arranca el motor sin aceite, sufrirá daños irreparables que la garantía no cubrirá.

Recomendamos el uso de aceites Briggs & Stratton con garantía certificada para un mejor rendimiento. Otros aceites detergentes de alta calidad son aceptables si están clasificados para servicio SF, SG, SH, SJ o superior. No use aditivos especiales.

Verificación del nivel de aceite

Vea la figura: 4, 5

Antes de aprovisionar con aceite o de comprobar el nivel de aceite

- Asegúrese de que el motor esté nivelado.
- Limpie todos los desechos del área de llenado de aceite.

Llenado de aceite, si está equipado

1. Retire la tapa de llenado de aceite (A, Figura 4).
2. Si el nivel es bajo, agregue aceite lentamente en el llenado de aceite del motor (B, Figura 4). Llene hasta el punto de desbordamiento.
3. Vuelva a instalar y ajuste la tapa de llenado de aceite (A, Figura 4).

Varilla de nivel corta, si tiene

1. Retire la varilla indicadora de nivel (C, Figura 4) y límpiela con un paño limpio.
2. Instale la varilla indicadora de nivel (C, Figura 4). **No la gire ni apriete.**
3. Retire la varilla y verifique el nivel de aceite. El nivel de aceite debe estar en la parte superior del indicador de lleno (D, Figura 4) en la varilla indicadora de nivel.
4. Si el nivel es bajo, agregue aceite lentamente en el llenado de aceite del motor (B, Figura 4). Llene hasta el punto de desbordamiento.
5. Vuelva a instalar y ajuste la varilla indicadora de nivel de aceite (C, Figura 4).

Varilla de nivel extendida, si tiene:

1. Retire la varilla indicadora de nivel (A, Figura 5) y límpiela con un paño limpio.
2. Instale y ajuste la varilla indicadora de nivel (A, Figura 5).
3. Retire la varilla y verifique el nivel de aceite. El nivel de aceite debe estar en la parte superior del indicador de lleno (B, Figura 5) de la varilla indicadora de nivel de aceite.
4. Si el nivel es bajo, agregue aceite lentamente en el llenado de aceite del motor (C, Figura 5). **No llene en exceso.** Después de añadir aceite, espere un minuto y luego vuelva a verificar el nivel de aceite.
5. Vuelva a instalar y ajuste la varilla indicadora de nivel de aceite (A, Figura 5).

Sistema de protección contra bajo nivel de aceite (si está equipado)

Algunos motores vienen equipados con un sensor de bajo nivel de aceite. Si el nivel de aceite está bajo, el sensor activará una luz de advertencia o detendrá el motor. Pare el motor y siga estos pasos antes de volver a arrancarlo.

- Asegúrese de que el motor esté nivelado.
- Controle el nivel de aceite. Consulte la sección **Comprobación del nivel de aceite**.
- Si el nivel de aceite está bajo, agregue la cantidad adecuada de aceite. Arranque el motor y asegúrese de que la luz de advertencia (si tiene) no esté activada.
- Si el nivel de aceite no está bajo, no arranque el motor. Para hacer corregir el problema del aceite, póngase en contacto con un distribuidor de servicio autorizado de Briggs & Stratton.

Recomendaciones de combustible

El combustible debe cumplir con los siguientes requisitos:

- Gasolina limpia y nueva, sin plomo.
- Un mínimo de 87 octanos/87 AKI (91 RON). Para uso en lugares elevados, ver a continuación.
- Gasolina con hasta un 10% de etanol (gasohol) es aceptable.

AVISO No use gasolinas no aprobadas, tales como E15 y E85. No mezcle aceite en la gasolina ni modifique el motor para que funcione con combustibles alternativos. El uso de combustibles no aprobados dañará a los componentes del motor, los que no estarán cubiertos bajo la garantía.

Para proteger el sistema de combustible contra la formación de goma, mézclele un estabilizador de combustible al combustible. Vea **Almacenaje**. Todos los combustibles no son iguales. Si ocurren problemas de desempeño o en el arranque, cambie de proveedor de combustible o de marca. El funcionamiento de este motor con gasolina está certificado. El sistema de control de emisiones de este motor es EM (Modificaciones del Motor).

Gran altitud

En alturas de más de 5.000 pies (1524 metros), una gasolina con un mínimo de 85 octano/85 AKI(89 RON) es aceptable.

Para motores carburados es necesario el ajuste para gran altitud a fin de conservar el rendimiento. El funcionamiento sin este ajuste genera una disminución del rendimiento, un aumento del consumo de combustible y un incremento en las emisiones. Para obtener información sobre el ajuste de alta altitud, póngase en contacto con un distribuidor de servicio autorizado de Briggs & Stratton. No se recomienda operar el motor a alturas inferiores a los 762 metros (2500 pies) con el ajuste para gran altura.

Para los motores de con inyección electrónica de combustible (EFI), no es necesario ningún ajuste para gran altitud.

Cómo agregar combustible

Vea la figura: 6



ADVERTENCIA

El combustible y sus vapores son extremadamente inflamables y explosivos.

Un incendio o una explosión pueden causar graves quemaduras o la muerte.

Al agregar combustible

- Apague el motor y deje que se enfríe por lo menos 2 minutos antes de remover la tapa del combustible.
 - Llene el tanque de combustible en exteriores o en un área bien ventilada.
 - No llene excesivamente el tanque de combustible. Para permitir la expansión del combustible no llene por encima de la parte inferior del cuello del tanque de combustible.
 - Mantenga el combustible alejado de chispas, llamas abiertas, testigos piloto, fuentes de calor y otras fuentes de encendido.
 - Compruebe con frecuencia si existen grietas o fugas en las mangueras de combustible, el tanque, la tapa y en los accesorios. Cámbielos si es necesario.
 - Si se derramó combustible, espere hasta que se haya evaporado antes arrancar el motor.
1. Limpie la tierra y la suciedad del área de la tapa del combustible. Retire la tapa del combustible.
 2. Llene el tanque de combustible (A, Figura 6) con combustible. Para permitir la expansión del combustible no llene por encima de la parte inferior del cuello del tanque de combustible (B).
 3. Re-instale la tapa de combustible.

Arranque y parada del motor

Vea la figura: 7, 8

Arranque del motor



ADVERTENCIA

La retracción rápida de la cuerda de arranque (contragolpe) le halará la mano y el brazo hacia el motor más rápido de lo que usted la pueda dejar ir.

Podrían ocasionarse roturas de huesos, fracturas, moretones o torceduras.

- Cuando arranque el motor, tire lentamente de la cuerda hasta sentir resistencia y, a continuación, tire rápidamente de ella para evitar su retroceso.



ADVERTENCIA

El combustible y sus vapores son extremadamente inflamables y explosivos.

Un incendio o una explosión pueden causar graves quemaduras o la muerte.

Cuando le de arranque al motor

- Asegúrese de que la bujía, el silenciador, la tapa del combustible y el purificador de aire (si tiene) estén colocados de modo seguro en su lugar.
- No haga girar el motor si retiró la bujía.
- Si el motor se inunda, ajuste el estrangulador (si está equipado) en la posición OPEN/RUN, coloque el acelerador (si está equipado) en la posición FAST y haga girar el motor hasta que arranque.



ADVERTENCIA

PELIGRO DE GAS TÓXICO. El escape del motor contiene monóxido de carbono, un gas tóxico que puede matar en minutos. NO puede verlo, es inodoro e insípido. Incluso si no huele los gases del escape, puede estar expuesto al monóxido de carbono. Si comienza a sentirse mareado o débil cuando utiliza este producto, apáguelo y tome aire fresco INMEDIATAMENTE. Consulte a un médico. Puede haberse intoxicado con monóxido de carbono.

- Opere este producto SOLAMENTE al aire libre, lejos de ventanas, puertas y ventilaciones, para reducir el riesgo de que el monóxido de carbono se acumule y pueda circular a espacios habitados.
- Instale alarmas de monóxido de carbono con baterías o enchufe (con batería de respaldo) siguiendo las instrucciones del fabricante. Las alarmas de humo no pueden detectar el monóxido de carbono.
- NO opere este producto dentro de hogares, garajes, sótanos, espacios reducidos, cobertizos u otros espacios parcialmente cerrados, incluso si usa ventiladores o deja las puertas y ventanas abiertas. El monóxido de carbono se puede acumular rápidamente en estos espacios y puede permanecer durante horas, incluso después de que se apaga este producto.
- SIEMPRE coloque este producto en la dirección del viento y apunte el escape del motor lejos de espacios habitados.

AVISO Este motor fue enviado desde Briggs & Stratton sin aceite. Antes de arrancar el motor, asegúrese de agregar aceite según las instrucciones de este manual. Si arranca el motor sin aceite, sufrirá daños irreparables que la garantía no cubrirá.

Nota: El equipo puede tener controles remotos. Consulte el manual del equipo para conocer la ubicación y el funcionamiento de los controles remotos.

1. Verifique el nivel de aceite en el motor. Consulte la sección **Comprobación del nivel de aceite**.
2. Asegúrese que los controles de transmisión del equipo, si están equipados, estén desconectados.
3. Mueva la válvula de cierre de combustible (A, Figura 7) a la posición abierta (OPEN).
4. Mueva el control del acelerador (C, Figura 7), si tiene, a la posición de velocidad rápida. Opere el motor en la posición de velocidad rápida (FAST).
5. Mueva el control del estrangulador (B, Figura 7) a la posición de estrangulador (CHOKE).

Nota: Generalmente no es necesario el estrangulador para volver a arrancar un motor caliente.

6. Mueva el interruptor de parada (D, Figura 7), si tiene, a la posición de encendido (ON).
7. **Arranque por rebobinado, si está equipado:** Sostenga firmemente la manija de la cuerda de arranque (E, Figura 7). Tire lentamente de la cuerda de arranque hasta sentir una resistencia y, a continuación, tire de ella rápidamente.



ADVERTENCIA

La retracción rápida de la cuerda de arranque (retroceso violento) le halará la mano y el brazo hacia el motor antes de que pueda soltarla. Podrían ocasionarse roturas de huesos, fracturas, moretones o torceduras. Cuando arranque el motor, tire lentamente de la cuerda hasta sentir resistencia y, a continuación, tire rápidamente de ella para evitar su retroceso.

8. **Arranque eléctrico, si tiene llave de seguridad (F):** Empuje la llave de seguridad (F, Figura 7). Oprima el interruptor de arranque unos instantes (G). Cuando el motor arranque, suelte el interruptor.
9. **Arranque eléctrico, si tiene llave de seguridad automatizada (H):** Gire el interruptor de llave (H, Figura 8) a la posición de arranque (START). Cuando el motor arranque, suelte el interruptor de llave.

AVISO Para prolongar la vida del arranque, utilice ciclos de arranque cortos (máximo de cinco segundos). Espere un minuto entre ciclos de arranque.

10. A medida que se caliente el motor, mueva el control del estrangulador (B, Figura 7) a la posición de funcionamiento (RUN).

Nota: Si el motor no arranca después de varios intentos, vaya a **BRIGGSandSTRATTON.com**, comuníquese con su distribuidor local o llame al **1-800-233-3723** (en EE. UU.).

Parada del motor



ADVERTENCIA

El combustible y sus vapores son extremadamente inflamables y explosivos.

Un incendio o una explosión pueden causar graves quemaduras o la muerte.

- No estrangule el carburador para detener el motor
1. **Control del acelerador, si tiene:** Mueva la palanca de control del acelerador (C, Figura 7) a la posición lenta (SLOW) y luego a la posición de parada (STOP).
Suiche de parada, si tiene: Mueva el interruptor de parada (D, Figura 7) a la posición de parada.
Llave de seguridad, si está equipado: Retire la llave de seguridad (F, Figura 7) y guárdela en un lugar seguro fuera del alcance de los niños.
Suiche de parada, si tiene: Gire el interruptor de llave (H, Figura 8) a la posición de apagado (OFF). Retire la llave y guárdela en un lugar seguro fuera del alcance de los niños.
 2. Una vez que se detenga el motor, mueva la válvula de cierre de combustible (A, Figura 7) a la posición cerrada.

Mantenimiento

AVISO Si el motor se inclina durante el mantenimiento, el tanque de combustible, si está montado en el motor, se debe vaciar y el lado de la bujía debe estar hacia arriba. Si el tanque de combustible no está vacío y si el motor se inclina en cualquier otra dirección, puede resultar difícil arrancarlo debido a que el aceite o la gasolina contaminan el filtro de aire o la bujía.



ADVERTENCIA

Al realizar trabajos de mantenimiento que requieran inclinar la unidad, el tanque de combustible, si está montado en el motor, debe estar vacío o podría haber una fuga de combustible y generar un incendio o una explosión.

Le recomendamos que consulte a cualquier distribuidor autorizado de Briggs & Stratton para el mantenimiento y reparación del motor y para obtener piezas del motor.

AVISO Todos los componentes utilizados para construir este motor deben permanecer en su lugar para su correcto funcionamiento.



ADVERTENCIA

Un chispeo involuntario puede producir un incendio o una descarga eléctrica.

Una puesta en marcha involuntaria puede causar enredos, amputaciones traumáticas o laceraciones.

Peligro de incendio

Antes de hacer ajustes o reparaciones:

- Desconecte el cable de la bujía y manténgalo lejos de la bujía.
- Desconecte la batería en la terminal negativa (únicamente motores con arranque eléctrico).
- Use solamente las herramientas correctas.
- No manipule el resorte del regulador, las conexiones u otras piezas para aumentar la velocidad del motor.
- Las piezas de repuesto deben ser del mismo diseño y deben ser instaladas en la misma posición que las piezas originales. Otras piezas pueden no funcionar igual de bien, pueden dañar la unidad, y pueden causar lesiones.
- No golpee el volante con un martillo o un objeto duro, porque el volante más tarde puede romperse durante la operación.

Cuando compruebe chispa:

- Use un comprobador de bujías aprobado.
- No haga las pruebas de chispa sin la bujía en su lugar.

Servicio de control de emisiones

Cualquier establecimiento o individuo especializado en la reparación de motores que no sean de automoción puede encargarse del mantenimiento, la sustitución y la reparación de los dispositivos y sistemas de control de emisiones. Sin embargo, para recibir el servicio de control de emisiones "sin cargo", debe realizarlo un distribuidor autorizado por la fábrica. Ver Declaraciones de Control de Emisiones.

Plan de mantenimiento

Las Primeras 5 horas
<ul style="list-style-type: none"> • Cambie el aceite
Cada 8 Horas o diariamente
<ul style="list-style-type: none"> • Compruebe el nivel del aceite del motor • Limpie el área alrededor del mofle y los controles • Limpie la rejilla de admisión de aire
Cada 25 horas o anualmente
<ul style="list-style-type: none"> • Limpie el filtro de aire ¹ • Limpie el pre-filtro (si está equipado) ¹
Cada 50 horas o anualmente
<ul style="list-style-type: none"> • Cambie el aceite del motor • Realice el mantenimiento del sistema de escape
Cada 100 horas
<ul style="list-style-type: none"> • Cambie el aceite de la unidad reductora (si tiene)
Anualmente
<ul style="list-style-type: none"> • Sustituya la bujía • Sustituya el filtro de aire • Reemplace el pre-filtro (si está equipado) • Cambie el filtro de aceite (si está equipado) • Realice el mantenimiento del sistema de combustible • Realice el mantenimiento del sistema de enfriamiento ¹ • Verifique el espacio libre de la válvula ²

¹ Limpie con mayor frecuencia en condiciones de mucho polvo o cuando el aire contenga muchas partículas.

² No se requiere a menos que se detecten problemas de desempeño en el motor.

Velocidad del motor y carburador

Nunca realice ajustes a la velocidad del motor o carburador. El carburador ha sido calibrado en la fábrica para funcionar de manera óptima en la mayoría de las condiciones de uso. No interfiera con el resorte del regulador, las varillas u otras partes a fin de modificar la velocidad del motor. Si son necesarios ajustes póngase en contacto con un Distribuidor de Servicio Autorizado de Briggs & Stratton para que le presten el servicio.

AVISO El fabricante del equipo especifica la velocidad máxima del motor como está instalado en el equipo. **No exceda esta** velocidad. Si no está seguro de cuál es la velocidad máxima del equipo, o cuál era la velocidad del motor ajustada en la fábrica, póngase en contacto con un Distribuidor de Servicio Autorizado de Briggs & Stratton para obtener ayuda. Para un funcionamiento seguro y adecuado del equipo, la velocidad del motor debe ser ajustada solamente por un técnico de servicio calificado.

Revisión de la bujía

Vea la figura: 9

Revise el entre-hierro (A, Figura 9) con un calibrador de alambre (B). Si es necesario, vuelva a establecer la distancia. Instale y ajuste la bujía al par recomendado. Para el ajuste del entre-hierro o el par de apriete, consulte la sección **Especificaciones**.

Nota: En algunas áreas, las leyes locales requieren el uso de una bujía con resistencia para suprimir las señales de encendido. Si este motor vino originalmente equipado con una bujía con resistencia, use el mismo tipo de bujía cuando la reemplace.

Realice el mantenimiento del sistema de escape



ADVERTENCIA

El funcionamiento de los motores produce calor. Las partes de los motores, especialmente el silenciador, se calientan demasiado.

Pueden ocurrir graves quemaduras a causa de su contacto.

Desechos combustibles, tal como hojas, grama, maleza, etc. pueden alcanzar a encenderse.

- Deje que el silenciador, el cilindro y las aletas del motor se enfríen antes de tocarlos.
- Extraiga los desechos acumulados en el área del silenciador y en el área del cilindro.
- Es una violación del Código de Recursos Públicos de California, Sección 4442, utilizar u operar el motor en cualquier espacio con árboles, maleza o grama a menos que el sistema de escape esté equipado con un extintor de chispas, como lo define la Sección 4442, mantenido en correcto funcionamiento. Otros estados o jurisdicciones federales pueden tener leyes similares. Póngase en contacto con el vendedor, el distribuidor o el fabricante del equipo original para obtener un extintor de chispas diseñado para el sistema de escape instalado en este motor.

Extraiga los desechos acumulados en el área del silenciador y en el área del cilindro. Inspeccione el silenciador en busca de grietas, corrosión u otros daños. Quite el deflector o el extintor de chispas (B), si tiene, e inspecciónelo para ver si hay daños o bloqueo de carbono. Si se detecta algún daño, instale las piezas de repuesto antes de poner el motor en funcionamiento.



ADVERTENCIA

Las piezas de repuesto deben ser del mismo diseño y deben ser instaladas en la misma posición que las piezas originales. Otras piezas pueden no funcionar igual de bien, pueden dañar la unidad, y pueden causar lesiones.

Cambio de aceite del motor

Vea la figura: 10, 11, 12

El aceite usado es un peligroso producto de desecho y debe eliminarse en forma adecuada. No lo deseche con los residuos domésticos. Consulte con sus autoridades locales, su centro de servicio, o su distribuidor para conocer las instalaciones para su disposición/reciclaje seguro.

Remoción del Aceite

1. Con el motor apagado pero aún caliente, desconecte el cable de bujía (D, Figura 10) y aléjelo de la bujía (E).
2. Retire el tapón de drenaje de aceite (F, Figura 11). Drene el aceite en un recipiente aprobado.

Nota: Cualquiera de los tapones de drenaje de aceite (G, Figura 11) se puede instalar en el motor.

3. Después de haber drenado el aceite, instale y apriete el tapón de drenaje de aceite (F, Figura 11).

Aprovisionamiento de Aceite

- Asegúrese de que el motor esté nivelado.
- Limpie todos los desechos del área de llenado de aceite.
- Consulte la **sección Especificaciones** para obtener la capacidad de aceite.

Llenado de aceite, si está equipado

1. Retire la tapa de llenado de aceite (H, Figura 11).
2. Agregue aceite lentamente en el llenado de aceite del motor (C, Figura 11). Llène hasta el punto de desbordamiento.
3. Vuelva a instalar y ajuste la tapa de llenado de aceite (H, Figura 11).
4. Conecte el cable de la bujía (D, Figura 10) a la bujía (E).

Varilla de nivel corta, si tiene

1. Retire la varilla indicadora de nivel (A, Figura 11) y límpiela con un paño limpio.
2. Agregue aceite lentamente en el llenado de aceite del motor (C, Figura 11). Llène hasta el punto de desbordamiento.
3. Instale la varilla indicadora de nivel de aceite (A, Figura 11). **No la gire ni apriete.** Retire y verifique el nivel de aceite. El nivel de aceite debe estar en la parte superior del indicador de lleno (B) de la varilla.
4. Vuelva a instalar y ajuste la varilla indicadora de nivel de aceite (A, Figura 11).
5. Conecte el cable de la bujía (D, Figura 10) a la bujía (E).

Varilla de nivel extendida, si tiene:

1. Retire la varilla indicadora de nivel (A, Figura 12) y límpiela con un paño limpio.
2. Agregue aceite lentamente en el llenado de aceite del motor (C, Figura 12). **No llene en exceso.** Después de añadir aceite, espere un (1) minuto y luego vuelva a verificar el nivel de aceite.
3. Instale y ajuste la varilla indicadora de nivel (A, Figura 12).
4. Retire y verifique el nivel de aceite. El nivel de aceite debe estar en la parte superior del indicador de lleno (B, Figura 12) de la varilla indicadora de nivel de aceite.
5. Vuelva a instalar y ajuste la varilla indicadora de nivel de aceite (A, Figura 12).
6. Conecte el cable de la bujía (D, Figura 10) a la bujía (E).

Cambie el aceite de la unidad reductora

Vea la figura: 13, 14

6:1 Unidad reductora (Figura 13)

Si su motor está equipado con una unidad reductora 6:1, haga el mantenimiento como sigue:

1. Quite el tapón de llenado de aceite (A, Figura 13) y el tapón de nivel de aceite (B).
2. Quite el tapón de drenaje de aceite (C, Figura 13) y drene el aceite en un recipiente adecuado.
3. Vuelva a instalar y ajuste el tapón de drenaje de aceite (C, Figura 13).
4. Para volver a llenar, vierta lentamente lubricante para engranajes (consulte la sección **Especificaciones**) en el orificio de llenado de aceite (D, Figura 13). Siga hasta que el aceite escape por el orificio de nivel de aceite (E).
5. Vuelva a instalar y ajuste el tapón de nivel de aceite (B, Figura 13).
6. Vuelva a instalar y ajuste el tapón de llenado de aceite (A, Figura 13).

Nota: El tapón de llenado de aceite (A, Figura 13) tiene un orificio de ventilación (F) y se debe instalar encima de la cubierta de la caja de engranajes, como se muestra.

2:1 Unidad reductora (Figura 14)

La unidad reductora de engranajes 2:1 (G, Figura 14) no requiere cambio de aceite.

Mantenimiento del filtro de aire

Vea la figura: 15, 16, 17



ADVERTENCIA

El combustible y sus vapores son extremadamente inflamables y explosivos.

Un incendio o una explosión pueden causar graves quemaduras o la muerte.

- Nunca encienda o haga funcionar el motor sin el conjunto del purificador de aire (si tiene) o el filtro de aire (si tiene).

AVISO No use aire comprimido ni solventes para limpiar el filtro. El aire comprimido puede dañar el filtro y los solventes lo disuelven.

Consulte el **Plan de mantenimiento** para conocer los requerimientos de servicio.

Varios modelos usan filtros de espuma o de papel. Algunos modelos además pueden tener un pre-purificador adicional que puede lavarse y volver a usar. Compare las ilustraciones de este manual con el tipo instalado en su motor y realice el mantenimiento como se indica a continuación.

Filtro de aire de papel

1. Afloje el(los) sujetador(es) (A, Figura 15, 16).
2. Retire la cubierta (B, Figura 15, 16).
3. Retire el pre-filtro (C, Figura 15, 16), si está equipado, y el filtro (D).
4. Golpetee el filtro contra una superficie dura (D, Figura 15, 16) para desprender los residuos. Si el filtro está excesivamente sucio, cámbielo por otro nuevo.
5. Lave el pre-filtro (C, Figura 15, 16), si está equipado, en detergente líquido y agua. Luego deje que el pre-filtro se seque al aire completamente. **No engrase el pre filtro.**
6. Monte el pre-filtro seco (C, Figura 15, 16), si está equipado, en el filtro (D) con el reborde (G) del pre-filtro en la parte inferior de los pliegues del filtro.
7. Instale el filtro (D, Figura 15, 16).
8. En los modelos equipados con el filtro de aire que se muestra en la Figura 15, inserte las pestañas de la cubierta (E) en las ranuras (F).
9. Instale la cubierta (B, Figura 15, 16) y asegure con el(los) sujetador(es) (A).

Filtro de aire de papel

1. Retire el(los) sujetador(es) (A, Figura 17).
2. Retire la cubierta (B, Figura 17).
3. Retire el pre-filtro (C, Figura 17), si está equipado, y el filtro (D).
4. Golpetee el filtro contra una superficie dura (D, Figura 17) para desprender los residuos. Si el filtro está excesivamente sucio, cámbielo por otro nuevo.
5. Retire el pre-filtro (C, Figura 17), si está equipado, del filtro (D).
6. Lave el pre-filtro (C, Figura 17), si está equipado, en detergente líquido y agua. Luego deje que el pre-filtro se seque al aire completamente. **No engrase el pre filtro.**
7. Monte el pre-filtro seco (C, Figura 17), si está equipado, en el filtro (D).
8. Instale el filtro (D, Figura 17) y el pre filtro (C), si está equipado, en la base (E) y sobre el tornillo pasante (F). Asegúrese de que el filtro se fije de forma segura sobre la base.
9. Instale la cubierta del filtro de aire (B, Figura 17) y asegure con el(los) sujetador(es) (A). Asegúrese de que todos estén bien ajustados.

Realice el mantenimiento del sistema de combustible

Vea la figura: 18, 19



ADVERTENCIA

El combustible y sus vapores son extremadamente inflamables y explosivos.

Un incendio o una explosión pueden causar graves quemaduras o la muerte.

- Mantenga el combustible alejado de chispas, llamas abiertas, testigos piloto, fuentes de calor y otras fuentes de encendido.
- Compruebe con frecuencia si existen grietas o fugas en las mangueras de combustible, el tanque, la tapa y en los accesorios. Cámbielos si es necesario.
- Antes de limpiar o reemplazar el filtro, drene el tanque de combustible o cierre la válvula de cierre de combustible.
- Si se derramó combustible, espere hasta que se haya evaporado antes arrancar el motor.

- Los repuestos deben ser los mismos e instalarse en la misma posición que las piezas originales.

Filtro de Combustible, si está equipado

1. Antes de limpiar o reemplazar el filtro de combustible (A, Figura 18), drene el tanque de combustible o cierre la válvula de cierre de combustible. De lo contrario, puede presentarse una fuga de combustible y causar un incendio o una explosión.
2. Use pinzas para agarrar las pestañas (B, Figura 18) sobre las abrazaderas (C), luego aleje las abrazaderas del filtro de combustible (A). Retire las mangueras de combustible (C) del filtro de combustible.
3. Inspeccione las líneas de combustible (D, Figura 18) en busca de grietas o fugas. Cámbielos si es necesario.
4. Reemplace el filtro de combustible (A, Figura 18) con un filtro de repuesto genuino.
5. Asegure las líneas de combustible (D, Figura 18) con abrazaderas (C) como se muestra.

Filtro de Combustible, si está equipado

1. Quite la tapa del combustible (A, Figura 19).
2. Quite el colador del combustible (B, Figura 19).
3. Si el colador del combustible está sucio, límpielo o reemplácelo. Si reemplaza el colador del combustible, asegúrese de usar un filtro de combustible de reemplazo original para el equipo.

Mantenimiento del sistema de enfriamiento



ADVERTENCIA

El funcionamiento de los motores produce calor. Las partes de los motores, especialmente el silenciador, se calientan demasiado.

Pueden ocurrir graves quemaduras a causa de su contacto.

Los desechos combustibles, tal como hojas, grama, maleza, etc. se pueden encender.

- Deje que el silenciador, el cilindro y las aletas del motor se enfríen antes de tocarlos.
- Extraiga los desechos acumulados en el área del silenciador y en el área del cilindro.

AVISO No use agua para limpiar el motor. El agua puede contaminar el sistema de combustible. Use un cepillo o un paño húmedo para limpiar el motor.

El motor es refrigerado por aire. La suciedad o los desechos pueden limitar el flujo de aire y provocar que el motor se sobrecaliente, lo cual disminuye su rendimiento y su vida útil.

1. Utilice un cepillo o paño seco para remover los desechos del área de la admisión de aire.
2. Mantenga las conexiones, los resortes y los controles limpios.
3. Elimine los restos de combustible de la zona de alrededor y de la parte posterior del silenciador.
4. Asegúrese de que las aletas del enfriador de aceite, si tiene, no presenten suciedad ni residuos.

Después de un período de tiempo, se pueden acumular residuos en las aletas de enfriamiento del cilindro y causar el sobrecalentamiento del motor. Los residuos no se pueden eliminar mientras no se desmonte parcialmente el motor. Solicite a un distribuidor autorizado de Briggs & Stratton que inspeccione y limpie el sistema de enfriamiento de aire según las recomendaciones del **Plan de mantenimiento**.

Almacenamiento



ADVERTENCIA

El combustible y sus vapores son extremadamente inflamables y explosivos.

El fuego o la explosión pueden causar quemaduras graves o la muerte.

Cuando almacene el combustible o el equipo con combustible en el tanque

- Almacene lejos de hornos, estufas, calentadores de agua u otros aparatos que utilicen testigos piloto u otras fuentes de encendido ya que estos pueden encender los vapores combustibles.

Sistema de combustible

Consulte la figura: 20

Almacene el nivel del motor (posición de operación normal). Llene el tanque de combustible (A, Figura 20) con combustible. Para permitir que el combustible se expanda, no llene el tanque por encima de la parte inferior del cuello del tanque de combustible (B).

El combustible puede echarse a perder si se almacena durante más de 30 días. El combustible en mal estado provoca la formación de depósitos de ácido y goma en el sistema de combustible o en piezas esenciales del carburador. Para mantener el combustible fresco, utilice el **estabilizador y tratamiento de combustible con fórmula avanzada de Briggs & Stratton**, disponible en los lugares de venta de piezas de servicio originales de Briggs & Stratton.

No es necesario vaciar la gasolina del motor si se añade estabilizador de combustible conforme a las instrucciones. Haga funcionar el motor durante dos (2) minutos para que el estabilizador circule por todo el sistema de combustible antes del almacenamiento.

Si no se ha agregado un estabilizador de combustible a la gasolina en el motor, deberá vaciarla completamente en un recipiente aprobado. Haga funcionar el motor hasta que se detenga por falta de combustible. Se recomienda usar un estabilizador de combustible en el recipiente de almacenamiento para mantener el combustible en perfecto estado.

Aceite del Motor

Cambie el aceite del motor mientras que el motor se encuentre todavía caliente. Consulte la sección **Cambio de aceite del motor**.

Resolución de problemas

Para obtener ayuda, comuníquese con su distribuidor local o vaya a **BRIGGSandSTRATTON.com** o llame al **1-800-233-3723** (en EE. UU.).

Especificaciones

Modelo: 120000	
Desplazamiento	12.48 ci (205 cc)
Diámetro Interno del Cilindro	2.688 in (65,28 mm)
Carrera	2.200 in (55,88 mm)
Capacidad de Aceite	18 - 20 oz (,54 - ,59 L)
Tipo de aceite para reducción de vel. de engranajes	80W-90
Capacidad de aceite para reducción de vel. de engranajes	4 oz (0,12 L)
Entrehierro de la Bujía	.030 in (,76 mm)
Torque de la Bujía	180 lb-in (20 Nm)
Entrehierro Inducido	.010 - .014 in (,25 - ,36 mm)
Tolerancia de la Válvula de Admisión	.004 - .006 in (,10 - ,15 mm)
Tolerancia de la Válvula de Escape	.009 - .011 in (,23 - ,28 mm)

Modelo: 150000	
Desplazamiento	15.24 ci (250 cc)
Diámetro Interno del Cilindro	2.970 in (75,44 mm)
Carrera	2.200 in (55,88 mm)
Capacidad de Aceite	18 - 20 oz (,54 - ,59 L)
Tipo de aceite para reducción de vel. de engranajes	80W-90
Capacidad de aceite para reducción de vel. de engranajes	4 oz (0,12 L)
Entrehierro de la Bujía	.030 in (,76 mm)
Torque de la Bujía	180 lb-in (20 Nm)
Entrehierro Inducido	.010 - .014 in (,25 - ,36 mm)
Tolerancia de la Válvula de Admisión	.004 - .006 in (,10 - ,15 mm)
Tolerancia de la Válvula de Escape	.009 - .011 in (,23 - ,28 mm)

Modelo: 200000	
Desplazamiento	15.63 ci (305 cc)
Diámetro Interno del Cilindro	3.120 in (79,24 mm)
Carrera	2.438 in (61,93 mm)

Modelo: 200000	
Capacidad de Aceite	26 - 28 oz (,77 - ,83 L)
Tipo de aceite para reducción de vel. de engranajes	SAE 30
Capacidad de aceite para reducción de vel. de engranajes	12 oz (,35 L)
Entrehierro de la Bujía	.030 in (,76 mm)
Torque de la Bujía	180 lb-in (20 Nm)
Entrehierro Inducido	.008 - .012 in (,20 - ,30 mm)
Tolerancia de la Válvula de Admisión	.004 - .006 in (,10 - ,15 mm)
Tolerancia de la Válvula de Escape	.004 - .006 in (,10 - ,15 mm)

Modelo: 210000	
Desplazamiento	20.85 ci (342 cc)
Diámetro Interno del Cilindro	3.300 in (83,81 mm)
Carrera	2.438 in (61,93 mm)
Capacidad de Aceite	26 - 28 oz (,77 - ,83 L)
Tipo de aceite para reducción de vel. de engranajes	SAE 30
Capacidad de aceite para reducción de vel. de engranajes	12 oz (,35 L)
Entrehierro de la Bujía	.030 in (,76 mm)
Torque de la Bujía	180 lb-in (20 Nm)
Entrehierro Inducido	.008 - .012 in (,20 - ,30 mm)
Tolerancia de la Válvula de Admisión	.004 - .006 in (,10 - ,15 mm)
Tolerancia de la Válvula de Escape	.004 - .006 in (,10 - ,15 mm)

La potencia del motor se reducirá un 3.5% por cada 300 metros (1000 pies) de altitud sobre el nivel del mar y un 1% por cada 5.6 °C (10 °F) por encima de 25 °C (77 °F). El funcionamiento del motor será satisfactorio hasta un ángulo de inclinación de 15°. Refiérase al manual del operador del equipo para obtener información acerca de los límites de operación seguros permitidos en pendientes.

Piezas de servicio - Modelo: 120000, 150000, 200000, 210000	
Parte de Servicio	Numero de parte
Filtro de aire plano	491588, 5043
Pre-filtro de filtro de aire plano	493537, 5064
Filtro de aire oval (Modelos 120000, 150000)	697029, 5059
Pre-filtro de filtro de aire oval (Modelos 120000, 150000)	273356
Filtro de aire oval (Modelos 200000, 210000)	695302
Pre-filtro de filtro de aire oval (Modelos 200000, 210000)	695303
Filtro de combustible	694485
Tratamiento y Estabilización de Combustible de Fórmula Avanzada	100117, 100120
Bujía con Resistencia	491055
Bujía de platino de larga duración	5066
Llave de Bujía	89838, 5023
Probador de Chispa	19368

Le recomendamos que consulte a cualquier distribuidor autorizado de Briggs & Stratton para el mantenimiento y reparación del motor y para obtener piezas del motor.

Potencia nominal: La calificación de potencia bruta para los modelos de motor de gasolina individual está designada conforme al código SAE (Sociedad de Ingenieros Automotrices) J1940. Procedimiento de calificación de potencia y torsión para motores pequeños, y SAE J1995. Los valores de torsión se derivan a 2600 r. p. m. en el caso de los motores con las "r. p. m." indicadas en la etiqueta y a 3060 r. p. m. en todos los otros casos; los valores de potencia en caballos de fuerza se derivan a 3600 r. p. m. Las curvas de potencia bruta se pueden ver en www.BRIGGSandSTRATTON.COM. Los valores de potencia neta se obtienen con un filtro de aire y escape instalado, mientras que los valores de potencia bruta se recopilan sin estos accesorios. La potencia bruta real del motor es inferior y depende, entre otros factores, de las condiciones ambientales de uso y de las variaciones entre distintos motores del mismo modelo. Dada la amplia gama de productos donde se colocan los motores, el motor de gasolina puede no desarrollar la potencia bruta nominal cuando se usa en una pieza del equipo de potencia determinada. Esta diferencia se debe,

entre otros, a los siguientes factores: accesorios (filtro de aire, escape, carga, refrigeración, carburador, bomba de combustible, etc.), limitaciones de la aplicación, condiciones ambientales de uso (temperatura, humedad, altitud) y variaciones entre distintos motores de un mismo modelo. Debido a limitaciones de fabricación y capacidad, Briggs & Stratton puede sustituir un motor de una potencia nominal mayor por un motor de esta serie.

Garantía

Garantía para motores Briggs & Stratton

Vigente a partir de enero de 2017

Garantía limitada

Briggs & Stratton garantiza que, durante el período de garantía especificado a continuación, reparará o reemplazará, sin cargo, cualquier pieza defectuosa en cuanto a material, mano de obra o ambos. Los gastos de transporte del producto sometido a reparación o cambio conforme a garantía deben ser abonados por el comprador. Esta garantía se mantiene vigente durante los períodos de tiempo indicados a continuación y está sujeta a dichos períodos y a las condiciones presentadas a continuación. Para servicio de garantía, localice al distribuidor de servicio autorizado más cercano en nuestro mapa de localización de distribuidores en BRIGGSandSTRATTON.COM. El comprador debe ponerse en contacto con el distribuidor de servicio autorizado y entregarle el producto para la inspección y prueba.

No existe ninguna otra garantía explícita. Las garantías implícitas, incluidas las de comerciabilidad y aptitud para una finalidad específica, están limitadas al período de garantía mencionado a continuación, o en la medida que lo permita la ley. La responsabilidad de daños fortuitos o consecuentes queda excluida en la medida que dicha exclusión esté permitida por ley. Algunos estados o países no contemplan limitaciones en cuanto a la duración de una garantía implícita, y otros estados o países no permiten la exclusión o limitación de daños consecuentes o incidentales, en cuyo caso la limitación y la exclusión anteriores pueden no ser aplicables para usted. Esta garantía le da derechos legales específicos, pudiendo tener a su vez otros derechos que varían de un estado a otro o de un país a otro ⁴.

Condiciones de garantía estándar 1, 2, 3

Marca / Nombre del producto	Uso privado	Uso Comercial
	Vanguard™; Serie comercial	36 meses
Motores con Manga de Fundición Dura-Bore™	24 meses	12 meses
Todos los demás motores	24 meses	3 meses

¹ Estos son nuestros términos estándares de garantía, pero ocasionalmente puede haber una cobertura de garantía adicional no determinada en el momento de la publicación. Para obtener una lista de los términos actuales de garantía para su motor, vaya a BRIGGSandSTRATTON.com o contáctese con el distribuidor de servicio autorizado de Briggs & Stratton.

² No existe garantía para motores en equipos utilizados como fuente primaria de energía en lugar de un servicio público o para generadores de reserva utilizados para fines comerciales. Los motores usados en carreras competitivas o en camiones comerciales o de alquiler no están cubiertos por la garantía.

³ Vanguard instalado en generadores de reserva: Uso de 24 meses para consumidor, sin garantía para uso comercial. Vanguard instalado en vehículos utilitarios: Uso de 24 meses para consumidor, uso comercial de 24 meses. Serie comercial con fecha de fabricación previa a julio de 2017, uso de 24 meses para consumidor, uso comercial de 24 meses.

⁴ En Australia - Nuestros productos vienen con garantías que no se pueden excluir bajo la Ley australiana de protección al consumidor. Usted tiene derecho a una sustitución o a un reembolso por una avería importante y a compensación por cualquier otra pérdida o daño razonablemente previsible. También tiene derecho a una reparación o sustitución de productos si estos no son de una calidad aceptable y la avería no asciende a una avería más importante. Para obtener el servicio de garantía, busque al distribuidor de servicio autorizado más cercano en el mapa localizador de distribuidores en BRIGGSandSTRATTON.COM o llamando al 1300 274 447, o mediante un correo electrónico o carta a salesenquiries@briggsandstratton.com.au, Briggs & Stratton Australia Pty Ltd., 1 Moorebank Avenue, Moorebank, NSW, Australia, 2170.

El período de garantía comienza en la fecha original de compra por parte del primer consumidor minorista o comercial. "Uso privado" significa uso doméstico personal por parte de un consumidor final. "Uso comercial" significa todos los demás usos, incluidos los usos con fines comerciales, de generación de ingresos o alquiler. Una vez que el motor haya experimentado uso comercial, será considerado en adelante como motor de uso comercial a los fines de esta garantía.

Guarde su recibo de compra. Si no aporta constancia de la fecha de compra inicial al solicitar el servicio de garantía, se tomará la fecha de fabricación del producto para determinar el período de garantía. No se requiere el registro de producto para obtener servicio de garantía en los productos de Briggs & Stratton.

Acerca de su Garantía

Esta garantía limitada cubre únicamente problemas de materiales y/o mano de obra asociados al motor, y no la sustitución o el reembolso del equipo en el que el motor puede estar montado. El mantenimiento de rutina, la puesta a punto, los ajustes o el desgaste normal no están cubiertos bajo esta garantía. Asimismo, la garantía queda anulada si el motor ha sido alterado o modificado o si el número de serie del motor ha sido desfigurado o eliminado. Esta garantía no cubre daños al motor o problemas de desempeño causados por:

1. El uso de piezas que no son piezas originales Briggs & Stratton;
2. El funcionamiento del motor con aceite lubricante insuficiente, contaminado o de grado incorrecto;
3. El uso de combustible o gasolina contaminados o vencidos formulados con más del 10 % de etanol, o el uso de combustibles alternativos, tales como petróleo licuado o gas natural en motores no originalmente diseñados/fabricados por Briggs & Stratton para funcionar con dichos combustibles;
4. Suciedad que ingresa al motor debido a mantenimiento incorrecto del filtro de aire o reensamblaje;
5. Golpear un objeto con la cuchilla de corte de un cortacésped rotativo, adaptadores de cuchilla, hélices u otros dispositivos acoplados de cigüeñal o tirantez excesiva de la correa en V;
6. Piezas o ensambles asociados, tales como embragues, transmisiones, controles de equipos, etc., no suministrados por Briggs & Stratton;
7. Sobre calentamiento debido a pasto cortado, suciedad y detritos o nidos de roedores que obstruyan o tapen las aletas de refrigeración o el área del volante, o hacer funcionar el motor sin ventilación suficiente;
8. Vibración excesiva debido a velocidad excesiva, montaje flojo del motor, cuchillas de corte o hélices flojos o desequilibrados, o acoplado incorrecto de componentes del equipo al cigüeñal;
9. Uso incorrecto, falta de mantenimiento de rutina, transporte, manipulación o almacenamiento de los equipos, o instalación incorrecta del motor.

El servicio de garantía solo está disponible a través de los distribuidores de servicio autorizados de Briggs & Stratton. Ubique a su Distribuidor de Servicio Autorizado en nuestro mapa localizador de distribuidores en BRIGGSandSTRATTON.COM o llame al 1-800-233-3723 (en EE.UU.).

80004537 (Rev. C)

Garantía sobre emisiones de Briggs & Stratton

Declaración de garantía sobre el control de emisiones de la EPA de EE. UU. y Briggs & Stratton Corporation Sus derechos y obligaciones bajo la garantía

Para los modelos de motores Briggs & Stratton con designación de versión "F" (Modelo-Tipo Representación de versión xxxxxx xxxx Fx)

La Junta de Recursos del Aire de California (California Air Resources Board), la EPA de EE.UU. y Briggs & Stratton (B&S) se complacen en explicar la garantía del sistema de control de emisiones de su modelo de motor / equipo de los años 2017-2019. En California, los nuevos motores pequeños todo terreno y los grandes motores de encendido por chispa de 1.0 litro o menos deben estar designados, construidos y equipados conforme a las estrictas normas estatales contra la contaminación. B&S está obligado a garantizar el sistema de control de emisiones de su motor/equipo durante los períodos que se indican a continuación, siempre y cuando no haya habido abuso, negligencia o mantenimiento inadecuado de su motor/equipo.

Su sistema de control de emisiones de escape puede incluir piezas tales como el carburador o el sistema de inyección de combustible, el sistema de encendido y el convertidor catalítico. También pueden estar incluidas las mangueras, correas, conectores, sensores y otros conjuntos relacionados con las emisiones. Su sistema de control de emisiones evaporatorias puede incluir piezas como: carburadores, tanques de combustible, mangueras de combustible, tapas de combustible, válvulas, recipientes, filtros, mangueras de vapor, abrazaderas, conectores y otros componentes asociados.

Donde exista una condición cubierta por la garantía, B&S reparará su motor/equipo sin costo alguno, incluido el diagnóstico, las piezas y la mano de obra.

Cobertura de la garantía del fabricante:

Los motores pequeños todo terreno y los grandes motores de encendido por chispa de 1.0 litro o menos, y todos los componentes del equipo relacionados con las emisiones, están cubiertos por la garantía de dos años, o por el período indicado en la declaración de garantía del motor o del producto correspondiente, donde prevalecerá el plazo que sea mayor. Si cualquier pieza relacionada con las emisiones en su motor/equipo resulta defectuosa, la pieza será reparada o sustituida por B&S.

Responsabilidades del propietario bajo la garantía:

- Como propietario del motor/equipo, usted es responsable de la realización del mantenimiento necesario indicado en el Manual del operador. B&S recomienda que

guarde todos los recibos que cubren el mantenimiento de su motor/equipo, pero B&S no puede negar la garantía únicamente debido a la falta de recibos o a su imposibilidad de garantizar la realización de todo el mantenimiento programado.

- Como propietario del motor/equipo, usted debe ser consciente de que B&S puede negarle la cobertura de la garantía si su motor/equipo o una pieza de este ha fallado debido a abuso, negligencia, mantenimiento inadecuado o modificaciones no autorizadas.
- Usted es responsable de presentar su motor/equipo en un centro de distribución, concesionario de servicio u otra entidad equivalente de B&S, según sea el caso, tan pronto como se presente el problema. Las reparaciones bajo la garantía deben completarse en un período de tiempo razonable y no superior a 30 días. Si tiene alguna pregunta con respecto a sus derechos y responsabilidades bajo la garantía, debe ponerse en contacto con B&S llamando al 1-800-444-7774 (en EE. UU.) o visitando el sitio BRIGGSandSTRATTON.COM.

Disposiciones para Garantía sobre control de emisiones de Briggs & Stratton

Las siguientes son disposiciones específicas relacionadas con la Cobertura de la garantía sobre control de emisiones. Esto es adicional a la garantía de los motores B&S para motores no regulados, la cual figura en el Manual del Operador.

1. Piezas de emisiones garantizadas

La cobertura de esta garantía se extiende sólo a las partes que figuran a continuación (piezas del sistema de control de emisiones) siempre que tales piezas estuvieran presentes en el motor de B&S y / o en el sistema de combustible suministrado por B&S.

a. Sistema de Medición de Combustible

- Sistema de enriquecimiento para arranque en frío (estrangulador suave)
- Carburador o sistema de inyección de combustible
- Sensor de oxígeno
- Unidad de control electrónica
- Módulo de la bomba de combustible
- Conducto de combustible, acoplamiento del conducto de combustible, abrazaderas
- Tanque de combustible, tapa y correa
- Canastilla de carbono

b. Sistema de inducción de aire

- Filtro de Aire
- Múltiple de admisión
- Línea de purga y ventilación

c. Sistema de encendido

- Bujía(s)
- Sistema de encendido con magneto

d. Sistema catalítico

- Convertidor catalítico
- Múltiple de escape
- Sistema de inyección de aire o valor de impulso

e. Elementos diversos utilizados en los sistemas anteriores

- Vacío, temperatura, posición, válvulas e interruptores sensibles al tiempo
- Conectores y conjuntos

2. Duración de la cobertura

La cobertura se extiende por un período de dos años desde la fecha de compra original, o por el período que aparece en la respectiva declaración de garantía del motor o del producto, lo que resulte mayor. B&S garantiza al comprador original y a cada comprador subsiguiente que el motor ha sido diseñado, construido y equipado de manera que cumpla con todas las normas adoptadas por la Junta de Recursos Ambientales de California (CARB); que está libre de defectos de materiales y mano de obra que podrían causar la falla de una pieza garantizada; y que es idéntico en todos los aspectos importantes al motor descrito en la solicitud para certificación del fabricante. El período de garantía comienza en la fecha de la compra original del motor.

La garantía de las piezas relacionadas con las emisiones es la siguiente:

- Cualquier pieza garantizada cuyo reemplazo no esté programado como parte del mantenimiento requerido en el Manual del operador suministrado, está garantizada por el período de garantía antes mencionado. Si tal pieza falla durante el período de cobertura de la garantía, la pieza será reparada o sustituida por B&S, sin costo para el propietario. Cualquier pieza reparada o reemplazada bajo la garantía estará garantizada por lo que reste del período de garantía.

- Cualquier pieza garantizada que sólo esté programada para inspección periódica en el Manual del operador suministrado, está garantizada por el período de garantía antes mencionado. Cualquier pieza reparada o reemplazada bajo la garantía estará garantizada por lo que reste del período de garantía.
- Cualquier pieza garantizada que esté programada para ser reemplazada como parte del mantenimiento requerido en el Manual del Operador suministrado, está garantizada por el período antes del primer punto de reemplazo programado para esa pieza. Si la pieza falla antes del primer reemplazo programado, la pieza será reparada o sustituida por B&S, sin costo para el propietario. Cualquier pieza reparada o reemplazada bajo garantía quedará garantizada por el resto del período anterior al primer reemplazo programado para la pieza.
- No se pueden utilizar de piezas adicionales o modificadas que no estén exentas de acuerdo con la Junta de Recursos Atmosféricos. El uso de cualquier pieza no exenta adicional o modificada por parte del propietario será causa suficiente para anular un reclamo en garantía. El fabricante no será responsable de las fallas de piezas garantizadas causadas por el uso de piezas adicionales o modificadas.

3. Cobertura consecuent

La cobertura se ampliará a los fallos de cualesquier componentes del motor causados por la falla de cualquier pieza garantizada en cuanto a emisiones.

4. Reclamaciones y Exclusiones a la cobertura

Las reclamaciones por garantía deberán ser presentadas de acuerdo con las disposiciones de la política de garantía de motores de B&S. La cobertura de garantía no aplica a fallas de piezas de emisiones que no sean piezas originales de los equipos de B&S o a piezas que fallen debido a abuso, negligencia o mantenimiento incorrecto según lo establecido en la política de garantía de motores de B&S. B&S no es responsable de la cobertura en garantía de fallas de piezas de emisiones causadas por el uso de piezas adicionales o modificadas.

Consulte la información relevante sobre el período de durabilidad de emisiones y el índice de aire en la etiqueta de emisiones de su pequeño motor todo terreno.

Los motores con certificación de cumplimiento de la Norma sobre emisiones para pequeños todo-terreno de la California Air Resources Board (CARB) deben mostrar información sobre el Período de durabilidad de las emisiones y el Índice de calidad del aire. Briggs & Stratton pone esta información a disposición del consumidor sobre nuestros rótulos de emisiones. La etiqueta de emisiones del motor contiene la información de certificación.

El **Período de Durabilidad de Emisiones** indica el número de horas efectivas durante las cuales el motor puede funcionar cumpliendo las normas sobre emisiones, siempre que se realicen las operaciones de mantenimiento que se detallan en el Manual del operador. Se utilizan las siguientes categorías:

Moderado:

Motores con un desplazamiento de 80 cc o menos cuentan con certificación de conformidad de emisiones para 50 horas de tiempo de funcionamiento efectivo del motor. Motores con un desplazamiento mayor a 80 cc cuentan con certificación de conformidad de emisiones para 125 horas de tiempo de funcionamiento efectivo del motor.

Intermedio:

Motores con un desplazamiento de 80 cc o menos cuentan con certificación de conformidad de emisiones para 125 horas de tiempo de funcionamiento efectivo del motor. Motores con un desplazamiento mayor a 80 cc cuentan con certificación de conformidad de emisiones para 250 horas de tiempo de funcionamiento efectivo del motor.

Extendido:

Motores con un desplazamiento de 80 cc o menos cuentan con certificación de conformidad de emisiones para 300 horas de tiempo de funcionamiento efectivo del motor. Motores con un desplazamiento mayor a 80 cc cuentan con certificación de conformidad de emisiones para 500 horas de tiempo de funcionamiento efectivo del motor.

Por ejemplo, un cortacésped de empuje manual típico se utiliza de 20 a 25 horas al año. Por lo tanto, el **Período de Durabilidad de Emisiones** de un motor con una clasificación de **intermedio** equivaldría a unos 10 a 12 años.

Los motores Briggs & Stratton cuentan con la certificación de la Agencia de Protección Ambiental de los Estados Unidos (USEPA) respecto de los estándares de emisiones de fase 2 o la fase 3. El Período de Cumplimiento de las Emisiones que figura en la etiqueta de emisiones indica la cantidad de horas para las que se ha demostrado que el motor en funcionamiento cumple con los requerimientos federales de emisiones.

Para motores con desplazamiento de 80 cc o menos:

Categoría C = 50 horas, Categoría B = 125 horas, Categoría A = 300 horas

Para motores con desplazamiento mayor a 80 cc o menor a 225 cc:

Categoría C = 125 horas, Categoría B = 250 horas, Categoría A = 500 horas

Para motores con desplazamiento de 225 cc o mayor:

Declaración de garantía sobre el control de emisiones de la EPA de EE. UU. y Briggs & Stratton Corporation Sus derechos y obligaciones bajo la garantía

Para modelos de motor de Briggs & Stratton con designación de código "B" o "G" (Declaración de Modelo-Tipo-Código xxxxxx xxxx Bx o xxxxxx xxxx Gx)

La Junta de Recursos del Aire de California (California Air Resources Board), la EPA de EE.UU. y Briggs & Stratton (B&S) se complacen en explicar la garantía del sistema de control de emisiones de su modelo de motor de los años 2017-2019. En California, los nuevos motores pequeños todo terreno y los grandes motores de encendido por chispa de 1.0 litro o menos deben estar designados, contruidos y equipados conforme a las estrictas normas estatales contra la contaminación. B&S está obligado a garantizar el sistema de control de emisiones de su motor durante los períodos que se indican a continuación, siempre que no haya habido abuso, negligencia o mantenimiento inadecuado de su motor.

Su sistema de control de emisiones de escape puede incluir piezas tales como el carburador o el sistema de inyección de combustible, el sistema de encendido y el convertidor catalítico. También pueden estar incluidas las mangueras, correas, conectores, sensores y otros conjuntos relacionados con las emisiones.

Donde exista una condición cubierta por la garantía, B&S reparará su motor/equipo sin costo alguno, incluido el diagnóstico, las piezas y la mano de obra.

Cobertura de la garantía del fabricante:

Los motores pequeños todo terreno y los grandes motores de encendido por chispa de 1.0 litro o menos, y todos los componentes del equipo relacionados con las emisiones, están cubiertos por la garantía de dos años, o por el período indicado en la declaración de garantía del motor o del producto correspondiente, donde prevalecerá el plazo que sea mayor. Si cualquier pieza relacionada con las emisiones en su motor/equipo resulta defectuosa, la pieza será reparada o sustituida por B&S.

Responsabilidades del propietario bajo la garantía:

- Como propietario del motor, usted es responsable de la realización del mantenimiento necesario indicado en el Manual del operador. B&S recomienda que guarde todos los recibos que cubren el mantenimiento de su motor, pero B&S no puede negar la garantía únicamente debido a la falta de recibos o a su imposibilidad de garantizar la realización de todo el mantenimiento programado.
- Como propietario del motor, debe ser consciente de que B&S puede negarle la cobertura de garantía si su motor o una pieza del mismo falló debido a abuso, negligencia, mantenimiento inadecuado o modificaciones no autorizadas.
- Usted es responsable por presentar su motor en un centro de distribución, concesionario de servicio u otra entidad equivalente de B&S, según sea el caso, tan pronto como se presente el problema. Las reparaciones bajo la garantía deben completarse en un período de tiempo razonable y no superior a 30 días. Si tiene alguna pregunta con respecto a sus derechos y responsabilidades bajo la garantía, debe ponerse en contacto con B&S llamando al 1-800-444-7774 (en EE. UU.) o visitando el sitio BRIGGSandSTRATTON.COM.

Disposiciones para Garantía sobre control de emisiones de Briggs & Stratton

Las siguientes son disposiciones específicas relacionadas con la Cobertura de la garantía sobre control de emisiones. Esto es adicional a la garantía de los motores B&S para motores no regulados, la cual figura en el Manual del Operador.

1. Piezas de emisiones garantizadas

La cobertura de esta garantía se extiende sólo a las partes que figuran a continuación (piezas del sistema de control de emisiones) siempre que tales piezas estuvieran presentes en el motor de B&S.

- a. Sistema de Medición de Combustible
 - Sistema de enriquecimiento para arranque en frío (estrangulador suave)
 - Carburador o sistema de inyección de combustible
 - Sensor de oxígeno
 - Unidad de control electrónica
 - Módulo de la bomba de combustible
- b. Sistema de inducción de aire
 - Filtro de Aire
 - Múltiple de admisión
- c. Sistema de encendido
 - Bujía(s)
 - Sistema de encendido con magneto

- d. Sistema catalítico
 - Convertidor catalítico
 - Múltiple de escape
 - Sistema de inyección de aire o valor de impulso
- e. Elementos diversos utilizados en los sistemas anteriores
 - Vacío, temperatura, posición, válvulas e interruptores sensibles al tiempo
 - Conectores y conjuntos

2. Duración de la cobertura

La cobertura se extiende por un período de dos años desde la fecha de compra original, o por el período que aparece en la respectiva declaración de garantía del motor o del producto, lo que resulte mayor. B&S garantiza al comprador original y a cada comprador subsiguiente que el motor ha sido diseñado, construido y equipado de manera que cumpla con todas las normas adoptadas por la Junta de Recursos Ambientales de California (CARB); que está libre de defectos de materiales y mano de obra que podrían causar la falla de una pieza garantizada; y que es idéntico en todos los aspectos importantes al motor descrito en la solicitud para certificación del fabricante. El período de garantía comienza en la fecha de la compra original del motor.

La garantía de las piezas relacionadas con las emisiones es la siguiente:

- Cualquier pieza garantizada cuyo reemplazo no esté programado como parte del mantenimiento requerido en el Manual del operador suministrado, está garantizada por el período de garantía antes mencionado. Si tal pieza falla durante el período de cobertura de la garantía, la pieza será reparada o sustituida por B&S, sin costo para el propietario. Cualquier pieza reparada o reemplazada bajo la garantía estará garantizada por lo que reste del período de garantía.
 - Cualquier pieza garantizada que sólo esté programada para inspección periódica en el Manual del operador suministrado, está garantizada por el período de garantía antes mencionado. Cualquier pieza reparada o reemplazada bajo la garantía estará garantizada por lo que reste del período de garantía.
 - Cualquier pieza garantizada que esté programada para ser reemplazada como parte del mantenimiento requerido en el Manual del Operador suministrado, está garantizada por el período antes del primer punto de reemplazo programado para esa pieza. Si la pieza falla antes del primer reemplazo programado, la pieza será reparada o sustituida por B&S, sin costo para el propietario. Cualquier pieza reparada o reemplazada bajo garantía quedará garantizada por el resto del período anterior al primer reemplazo programado para la pieza.
 - No se pueden utilizar de piezas adicionales o modificadas que no estén exentas de acuerdo con la Junta de Recursos Atmosféricos. El uso de cualquier pieza no exenta adicional o modificada por parte del propietario será causa suficiente para anular un reclamo en garantía. El fabricante no será responsable de las fallas de piezas garantizadas causadas por el uso de piezas adicionales o modificadas.
3. Cobertura consecuente
La cobertura se ampliará a los fallos de cualesquier componentes del motor causados por la falla de cualquier pieza garantizada en cuanto a emisiones.
 4. Reclamaciones y Exclusiones a la cobertura
Las reclamaciones por garantía deberán ser presentadas de acuerdo con las disposiciones de la política de garantía de motores de B&S. La cobertura de garantía no aplica a fallas de piezas de emisiones que no sean piezas originales de los equipos de B&S o a piezas que fallen debido a abuso, negligencia o mantenimiento incorrecto según lo establecido en la política de garantía de motores de B&S. B&S no es responsable de la cobertura en garantía de fallas de piezas de emisiones causadas por el uso de piezas adicionales o modificadas.

Consulte la información relevante sobre el período de durabilidad de emisiones y el índice de aire en la etiqueta de emisiones de su pequeño motor todo terreno.

Los motores con certificación de cumplimiento de la normativa sobre emisiones del California Air Resources Board (CARB) deben mostrar información sobre el período de durabilidad de las emisiones y el índice de calidad del aire. Briggs & Stratton pone esta información a disposición del consumidor sobre nuestros rótulos de emisiones. La etiqueta de emisiones del motor contiene la información de certificación.

El **Período de Durabilidad de Emisiones** indica el número de horas efectivas durante las cuales el motor puede funcionar cumpliendo las normas sobre emisiones, siempre que se realicen las operaciones de mantenimiento que se detallan en el Manual del operador. Se utilizan las siguientes categorías:

Moderado:

Motores con un desplazamiento de 80 cc o menos cuentan con certificación de conformidad de emisiones para 50 horas de tiempo de funcionamiento efectivo del motor. Motores con un desplazamiento mayor a 80 cc cuentan con certificación de conformidad de emisiones para 125 horas de tiempo de funcionamiento efectivo del motor.

Intermedio:

Motores con un desplazamiento de 80 cc o menos cuentan con certificación de conformidad de emisiones para 125 horas de tiempo de funcionamiento efectivo del motor. Motores con un desplazamiento mayor a 80 cc cuentan con certificación de conformidad de emisiones para 250 horas de tiempo de funcionamiento efectivo del motor.

Extendido:

Motores con un desplazamiento de 80 cc o menos cuentan con certificación de conformidad de emisiones para 300 horas de tiempo de funcionamiento efectivo del motor. Motores con un desplazamiento mayor a 80 cc cuentan con certificación de conformidad de emisiones para 500 horas de tiempo de funcionamiento efectivo del motor.

Por ejemplo, un cortacésped de empuje manual típico se utiliza de 20 a 25 horas al año. Por lo tanto, el **Período de Durabilidad de Emisiones** de un motor con una clasificación de **intermedio** equivaldría a unos 10 a 12 años.

Los motores Briggs & Stratton cuentan con la certificación de la Agencia de Protección Ambiental de los Estados Unidos (USEPA) respecto de los estándares de emisiones de fase 2 o la fase 3. El Período de Cumplimiento de las Emisiones que figura en la etiqueta de emisiones indica la cantidad de horas para las que se ha demostrado que el motor en funcionamiento cumple con los requerimientos federales de emisiones.

Para motores con desplazamiento de 80 cc o menos:

Categoría C = 50 horas, Categoría B = 125 horas, Categoría A = 300 horas

Para motores con desplazamiento mayor a 80 cc o menor a 225 cc:

Categoría C = 125 horas, Categoría B = 250 horas, Categoría A = 500 horas

Para motores con desplazamiento de 225 cc o mayor:

Categoría C = 250 horas, Categoría B = 500 horas, Categoría A = 1000 horas

80008114 (Rev F)

Not for
Reproduction

Ce manuel contient des informations relatives à la sécurité afin que vous connaissiez les dangers et risques qui sont liés aux souffleuses à neige et la façon de les éviter. Il contient également des directives sur la bonne utilisation et le bon entretien du moteur. Dans la mesure où Briggs & Stratton Corporation ne connaît pas nécessairement quel équipement ce moteur alimentera, il est important que vous lisiez et compreniez ces directives ainsi que celles se rapportant à l'équipement. **Conserver ces instructions d'origine pour référence future.**

Remarque : Les données et illustrations de ce manuel sont fournies pour votre référence uniquement et peuvent différer en fonction du modèle. Contacter votre revendeur si vous avez des questions.

Pour obtenir des pièces de rechange ou une assistance technique, enregistrez le modèle, le type, les numéros de code ainsi que la date d'acquisition du moteur. Ces numéros sont situés sur le moteur (voir la section **Fonctions et commandes**).

Date d'achat	
Modèle – Type – Coupe du moteur	
Numéro de série du moteur	

Recherche le code à barre 2D se trouvant sur certains moteurs. Lorsque le code est lu avec un appareil 2D, il vous amènera sur notre site Web où vous pourrez trouver une assistance pour ce produit. Les taux de données s'appliquent. Certains pays n'ont peut-être pas une assistance en ligne.



Sécurité de l'opérateur

Symbole de sécurité et termes indicateurs

Le symbole de sécurité permet d'identifier les informations de sécurité sur les dangers pouvant blesser quelqu'un. Un mot-indicateur (DANGER, AVERTISSEMENT ou ATTENTION) est utilisé avec le symbole d'alerte pour indiquer la probabilité et la gravité potentielle de la blessure. Par ailleurs, un symbole de sécurité peut être utilisé pour représenter le type de danger.

DANGER indique un danger qui, si non évité, **causera la mort ou des blessures graves.**

AVERTISSEMENT indique un danger qui, si non évité, **pourrait causer la mort ou des blessures graves.**

ATTENTION indique un danger qui, si non évité, **pourrait causer des blessures mineures ou modérées.**

AVIS indique une situation qui **pourrait causer des dommages au produit.**

Symboles de risque et leurs significations

Symbole	Signification	Symbole	Signification
	Informations de sécurité sur les dangers pouvant provoquer des dommages corporels.		Lire attentivement le contenu du manuel d'utilisation avant de faire fonctionner l'appareil ou d'intervenir dessus.
	Risque d'incendie		Risque d'explosion
	Risque de décharge électrique		Danger de fumées toxiques
	Risque de surface chaude		Risque lié au bruit - protection auditive recommandée pour une utilisation prolongée.

Symbole	Signification	Symbole	Signification
	Risque de projection d'objets - porter des lunettes de protection.		Risque d'explosion
	Risque de gelure		Risque d'effet de recul
	Risque d'amputation - pièces mobiles		Risque chimique
	Risque thermique		Corrosif

Messages de sécurité



AVERTISSEMENT

Certains composants de ce produit et de ses accessoires contiennent des produits chimiques reconnus dans l'État de Californie comme étant cause de cancer, d'anomalies congénitales ou d'autres effets néfastes sur la fonction de reproduction. Se laver les mains après la manipulation.



AVERTISSEMENT

Les gaz d'échappement du moteur de ce produit contiennent des produits chimiques reconnus par l'État de Californie comme étant cause de cancer, d'anomalies congénitales ou d'autres effets néfastes sur la fonction de reproduction.



AVERTISSEMENT

Les moteurs Briggs & Stratton ne sont pas conçus pour les équipements suivants et ne doivent pas être utilisés pour les alimenter : karts de loisir ; karts de course ; véhicules de loisir pour les enfants et de sport tous-terrains (ATV) ; cyclomoteurs ; aérogilisseurs ; engins aériens ; ou véhicules utilisés lors de compétitions non approuvées par Briggs & Stratton. Pour plus d'informations concernant les produits destinés à la compétition, consulter www.briggsracing.com. Pour une utilisation avec des quads utilitaires et côte-à-côte, veuillez contacter le Centre d'application des moteurs Briggs & Stratton, au 1-866-927-3349. Une application inadaptée au moteur risque d'entraîner des blessures graves, voire mortelles.



AVERTISSEMENT



L'essence et ses vapeurs sont hautement inflammables et explosives.

Un incendie ou une explosion peuvent provoquer de graves brûlures ou la mort.

Lors de l'ajout de carburant

- Arrêter le moteur et le laisser refroidir au moins 2 minutes avant de retirer le bouchon du réservoir.
- Remplir le réservoir de carburant à l'extérieur ou dans un endroit bien ventilé.
- Ne jamais trop remplir le réservoir de carburant. Pour permettre l'expansion du carburant, ne pas dépasser le bas du col de remplissage du réservoir en effectuant le plein.
- Garder le carburant loin des étincelles, des flammes nues, des lampes témoins, de chaleur et d'autres sources d'allumage.
- Vérifier régulièrement que les canalisations, le réservoir, le bouchon et les raccords de carburant ne présentent ni fissures ni fuites. Remplacer si nécessaire.
- Si du carburant se répand, attendre jusqu'à ce qu'il s'évapore avant de démarrer le moteur.

Démarrage du moteur

- S'assurer que la bougie, le silencieux, le bouchon du réservoir de carburant et le filtre à air (le cas échéant) sont montés et solidement fixés.

- Ne pas démarrer le moteur sans la bougie.
- Si le moteur se noie, mettre le starter (le cas échéant) en position OUVERT/MARCHE, amener la manette des gaz (le cas échéant) en position RAPIDE et lancer le moteur jusqu'à ce qu'il démarre.

Pendant l'utilisation de l'équipement

- Ne pas pencher le moteur ou l'équipement à un angle qui risquerait de faire couler de l'essence.
- Ne pas actionner le starter pour arrêter le moteur.
- Ne jamais démarrer ou faire fonctionner le moteur sans l'épurateur d'air (le cas échéant) ou le filtre à air (le cas échéant).

Lors du changement de l'huile

- Si vous vidangez l'huile par le bouchon de remplissage supérieur, le réservoir de carburant doit être vide, car une fuite éventuelle pourrait provoquer un incendie, voire une explosion.

Lorsque l'entretien requiert de basculer la machine

- S'il est nécessaire de basculer la machine au cours de l'entretien, le réservoir de carburant, s'il est monté sur le moteur, doit être vide, sinon le carburant risque de couler et d'entraîner un incendie ou une explosion.

Lors du transport de la machine

- Transporter avec le réservoir de carburant VIDE ou le robinet d'essence en position CLOSED (FERMÉE).

Entreposage de carburant ou d'équipements dont le réservoir contient du carburant

- Entreposez-les à l'écart des chaudières, poêles, chauffe-eaux ou autres appareils ménagers comportant une veilleuse ou une autre source d'inflammation pouvant enflammer les vapeurs d'essence.



AVERTISSEMENT

Le démarrage du moteur produit des étincelles.

Une étincelle peut mettre le feu aux gaz inflammables à proximité.

Elle pourrait provoquer une explosion ou un incendie.

- Si une fuite de gaz de pétrole liquéfié (GPL) ou de gaz naturel est présente à l'endroit où vous vous trouvez, ne pas tenter de mettre le moteur en marche.
- Ne pas utiliser de fluides de démarrage sous pression, car les vapeurs sont inflammables.



AVERTISSEMENT

RISQUE LIÉ AUX GAZ TOXIQUES. Les gaz d'échappement du moteur contiennent du monoxyde de carbone, un gaz toxique qui pourrait vous tuer en quelques minutes à peine. Vous NE POUVEZ NI le voir, NI le sentir, NI le goûter. Même si vous ne sentez pas l'odeur des gaz d'échappement, vous courez toujours le risque de respirer du monoxyde de carbone. Si vous commencez à vous sentir malade, pris de vertiges ou faible quand vous utilisez ce produit, coupez le moteur IMMÉDIATEMENT et allez respirer de l'air frais. Consultez un médecin. Il se peut que vous soyez victime d'un empoisonnement au monoxyde de carbone.

- Utilisez cet équipement UNIQUEMENT à l'extérieur et en vous tenant éloigné des fenêtres, portes et ouvertures d'aération pour réduire le risque que du monoxyde de carbone ne s'accumule et ne soit éventuellement aspiré dans des espaces où vivent des personnes ou des animaux.
- Conformément aux instructions du fabricant, installez des alarmes monoxyde de carbone fonctionnant à piles ou alimentées par câble avec batterie de secours. Les détecteurs de fumée ne peuvent pas déceler la présence de monoxyde de carbone.
- NE PAS faire fonctionner cet équipement dans des maisons, garages, sous-sols, vides sanitaires, remises de jardin ou d'autres espaces partiellement confinés, même si des ventilateurs, des portes ou des fenêtres ouvertes facilitent la ventilation. Le monoxyde de carbone peut s'accumuler rapidement dans ces espaces et subsister pendant des heures, même après l'arrêt de l'équipement.
- Disposer TOUJOURS cet équipement dans le sens du vent et orienter l'échappement du moteur dans la direction opposée aux espaces occupés par des personnes ou des animaux.



AVERTISSEMENT

La rétraction rapide du cordon de lanceur (effet de recul) aura pour effet de tirer la main et le bras vers le moteur en moins de temps qu'on ne l'imagine.

Des os cassés, des fractures, des blessures, ou des foulures peuvent en résulter.

- Pour démarrer le moteur, tirer lentement le cordon du lanceur jusqu'à percevoir une résistance et tirer ensuite rapidement pour éviter tout effet de recul.
- Retirer toute charge extérieure à l'équipement ou au moteur avant de le démarrer.
- Les éléments directement couplés à l'équipement, notamment les lames, turbines, poulies, engrenages, etc., devront être fermement arrimés.



AVERTISSEMENT

Les pièces rotatives peuvent toucher ou happer les mains, les pieds, les cheveux, les vêtements ou tout autre accessoire.

Une amputation traumatique ou de graves lacérations peuvent en résulter.

- Utiliser l'équipement avec les protections en place.
- Tenir les mains et les pieds éloignés des pièces en rotation.
- Attacher les cheveux longs et retirer les bijoux.
- Ne pas porter de vêtements amples, de ceintures larges pendantes ou tout vêtement pouvant être saisi.



AVERTISSEMENT

Les moteurs en marche produisent de la chaleur. Les pièces du moteur, en particulier le silencieux, deviennent extrêmement chaudes.

Des brûlures thermiques graves peuvent se produire par contact.

Les débris combustibles tels que les feuilles, l'herbe, les broussailles, etc., peuvent prendre feu.

- Laisser refroidir le pot d'échappement, le cylindre et les ailettes du moteur avant de les toucher.
- Retirer les débris qui se sont accumulés autour de la zone du pot d'échappement et du cylindre.
- L'utilisation ou le fonctionnement du moteur sur des terrains forestiers, broussailleux ou herbeux constitue une violation de la Section 4442 du Code des ressources publiques de Californie, à moins que le système d'échappement ne soit équipé d'un pare-étincelles, comme le stipule cette Section 4442, maintenu en bon état de marche. D'autres états ou juridictions fédérales peuvent avoir des lois similaires. Contacter le constructeur d'origine, le détaillant ou le revendeur de l'équipement pour obtenir un pare-étincelles conçu pour le système d'échappement installé sur ce moteur.



AVERTISSEMENT

Des étincelles involontaires peuvent provoquer un incendie ou un choc électrique.

Un démarrage accidentel peut causer un étranglement, une amputation traumatique ou une lacération.

Risque d'incendie

Avant de procéder à des réglages ou des réparations :

- Débrancher le fil de la bougie d'allumage et le tenir à l'écart de la bougie.
- Débrancher la batterie en retirant le câble de la borne négative de la batterie (uniquement pour les moteurs à démarreur électrique).
- Utiliser uniquement des outils appropriés.
- Ne pas intervenir sur le ressort du régulateur de vitesse, les tringles ou d'autres pièces, pour augmenter le régime du moteur.
- Les pièces de rechange doivent être les mêmes et installées dans la même position que celles d'origine. D'autres pièces peuvent ne pas être aussi performantes, endommager l'équipement et provoquer des blessures.
- Ne pas taper sur le volant moteur avec un marteau ou un objet dur, ce qui risquerait d'entraîner une rupture ultérieure du volant lors du fonctionnement du moteur.

Contrôle de l'étincelle :

- Utiliser un vérificateur de bougie d'allumage approuvé.
- Ne pas contrôler la production d'étincelles sans la bougie.










Fonctions et commandes

Commandes du moteur

Comparer l'illustration (Figure : 1, 2, 3) avec votre moteur afin de vous familiariser avec l'emplacement des diverses fonctions et commandes.

- A. Numéros d'identification du moteur **Modèle - Type - Code**
- B. Bougie
- C. Filtre à air (plat ou ovale)
- D. Commande de starter
- E. Robinet d'essence (si présent)
- F. Poignée de la corde de lanceur
- G. Grille d'entrée d'air
- H. Commande des gaz (si présente)
- I. Commutateur d'arrêt (si présent)
- J. Réservoir de carburant et bouchon
- K. Jauge d'huile rehaussée (si présente)
- L. Jauge d'huile courte (si présente)
- M. Bouchon de vidange
- N. Orifice de remplissage d'huile
- O. Silencieux, protège-silencieux (si présent), pare-étincelles (si présent)
- P. Clé de sécurité (modèles à démarrage électrique)
- Q. Interrupteur MARCHE/ARRÊT (modèles à démarrage électrique)
- R. Réducteur (si présent)
- S. Contacteur à clé (modèles à démarrage électrique)

Symboles des commandes du moteur et significations

Symbole	Signification	Symbole	Signification
	Régime moteur - FAST (RAPIDE)		Régime moteur - SLOW (LENT)
	Régime moteur - STOP (ARRÊT)		ON - OFF (MARCHE - ARRÊT)
	Démarrage du moteur - Starter CLOSED (FERMÉ)		Démarrage du moteur - Starter OPEN (OUVERT)
	Bouchon de carburant Robinet d'essence - OPEN (OUVERT)		Robinet d'essence - CLOSED (FERMÉ)
	Niveau d'essence - Maximum Ne pas trop remplir le réservoir		

Fonctionnement

Huiles recommandées

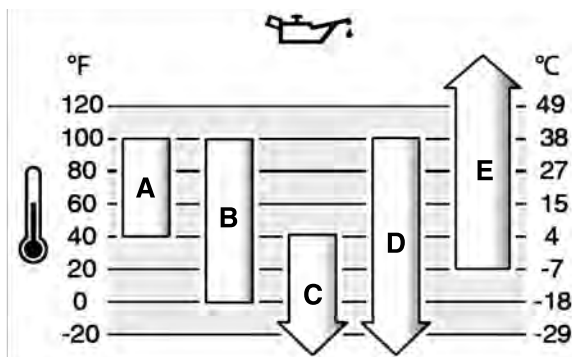
Capacité d'huile : Se reporter aux *Caractéristiques* techniques.

AVIS

Ce moteur est livré sans huile par Briggs & Stratton. Les fabricants d'équipements ou les concessionnaires sont susceptibles d'avoir ajouté de l'huile au moteur. Avant de démarrer le moteur pour la première fois, veiller à vérifier le niveau d'huile et à faire l'appoint en suivant les instructions de ce manuel. Si un moteur sans huile est mis en marche, il sera endommagé de manière irrémédiable et ne sera pas couvert par la garantie.

Nous recommandons l'utilisation d'huiles garanties et certifiées Briggs & Stratton pour obtenir les meilleures performances. D'autres huiles détergentes de haute qualité sont acceptables si elles sont de catégorie SF, SG SH, SJ ou supérieure. Ne pas utiliser d'additifs spéciaux.

Les températures extérieures déterminent le choix de la viscosité de l'huile convenant au moteur. Utilisez le tableau pour sélectionner la meilleure viscosité en fonction de la plage de températures extérieures prévue. Les moteurs de la plupart des équipements extérieurs se comportent bien avec de l'huile synthétique 5W-30. Pour les équipements utilisés par grandes chaleurs, l'huile synthétique Vanguard™ 15W-50 offre la meilleure protection.



A	SAE 30 - En-dessous de 4 °C, l'utilisation de l'huile SAE 30 rendra le démarrage difficile.
B	10W-30 - Au-dessus de 27 °C, l'utilisation de l'huile 10W-30 peut augmenter la consommation d'huile. Vérifiez le niveau d'huile plus fréquemment.
C	5W-30
D	5W-30 synthétique
E	Vanguard™ synthétique 15W-50

Vérifier le niveau d'huile

Voir Figure : 4, 5

Avant d'ajouter de l'huile ou de vérifier le niveau

- Mettre le moteur de niveau.
- Nettoyer le pourtour de l'orifice de remplissage de tout débris.

Bouchon de remplissage d'huile, si présent

1. Retirer le bouchon de l'orifice de remplissage d'huile (A, Figure 4).
2. Si le niveau est insuffisant, verser doucement de l'huile dans l'orifice de remplissage du moteur (B, Figure 4). Remplir jusqu'au point de débordement.
3. Remettre et resserrer le bouchon de l'orifice de remplissage d'huile (A, Figure 4).

Jauge d'huile courte, si présente

1. Retirer la jauge (C, Figure 4) et la nettoyer avec un chiffon propre.
2. Installer la jauge (C, Figure 4). **Ne pas tourner ou serrer.**
3. Sortir la jauge et vérifier le niveau d'huile. Il doit être au ras de l'indicateur de niveau maximum (D, Figure 4) sur la jauge.
4. Si le niveau est insuffisant, verser doucement de l'huile dans l'orifice de remplissage du moteur (B, Figure 4). Remplir jusqu'au point de débordement.
5. Remettre et resserrer la jauge (C, Figure 4).

Jauge d'huile rehaussée, si présente

1. Retirer la jauge (A, Figure 5) et la nettoyer avec un chiffon propre.
2. Remettre la jauge en place et la resserrer (A, Figure 5).
3. Sortir la jauge et vérifier le niveau d'huile. Il doit être au ras de l'indicateur de niveau maximum (B, Figure 5) sur la jauge.

- Si le niveau est insuffisant, ajouter de l'huile en l'incorporant par l'orifice de remplissage du moteur (C, Figure 5). **Ne pas trop remplir.** Après avoir ajouté de l'huile, attendre une minute, puis vérifier à nouveau le niveau d'huile.
- Remettre et resserrer la jauge (A, Figure 5).

Système de détection de niveau d'huile bas (le cas échéant)

Certains moteurs sont équipés d'une sonde de détection de niveau d'huile bas. Si le niveau d'huile est insuffisant, la sonde active un voyant d'alerte ou arrête le moteur. Arrêter le moteur et procéder comme décrit ci-dessous avant de remettre en marche le moteur.

- Mettre le moteur de niveau.
- Contrôler le niveau d'huile. Se reporter à la section **Vérifier le niveau d'huile**.
- Si le niveau est insuffisant, faire l'appoint avec la quantité appropriée d'huile. Mettre le moteur en marche et s'assurer que le voyant d'alerte (si prévu) n'est pas allumé.
- Si le niveau d'huile est correct, ne pas faire démarrer le moteur. Contacter un Réparateur agréé Briggs & Stratton pour corriger un problème d'huile.

Recommandations de carburant

Le carburant doit répondre aux critères suivants :

- Essence sans plomb, propre et fraîche.
- Au minimum 87 octanes/87 AKI (91 RON). Utilisation en haute altitude, voir ci-dessous.
- De l'essence contenant jusqu'à 10 % d'éthanol (carburol) est acceptable.

AVIS Ne pas utiliser d'essence non approuvée telle que l'E15 ou l'E85. Ne pas mélanger de l'huile avec l'essence ou modifier le moteur afin qu'ils puissent utiliser des carburants alternatifs. L'utilisation de carburants non approuvés peut endommager les composants, ce qui n'est pas couvert par la garantie.

Pour empêcher que de la gomme ne se forme dans le circuit d'alimentation, mélanger un stabilisateur de carburant à l'essence. Voir **Entreposage**. Tous les carburants ne sont pas identiques. Si des problèmes de démarrage ou de performance se produisent, changer de fournisseur de carburant ou changer de marque. Ce moteur est certifié pour fonctionner à l'essence. Le système de contrôle des émissions pour ce moteur est de type EM (Engine Modifications).

Haute altitude

À des altitudes supérieures à 1 524 mètres (5 000 pieds), de l'essence d'au minimum 85 octane/85 AKI (89 RON) est acceptable.

Pour conserver les caractéristiques d'émission, un réglage spécial haute altitude est nécessaire. Faire fonctionner le moteur sans ce réglage fait baisser ses performances, augmenter la consommation de carburant et les émissions. Contacter un Réparateur agréé Briggs & Stratton pour davantage d'informations sur le réglage haute altitude. Le fonctionnement du moteur à une altitude inférieure à 762 mètres (2 500 pieds) avec le kit haute altitude n'est pas recommandé.

Pour les moteurs à injection électronique (EFI), le réglage haute altitude est inutile.

Faire le plein

Voir Figure : 6



AVERTISSEMENT L'essence et ses vapeurs sont extrêmement inflammables et explosifs.

Un incendie ou une explosion peuvent provoquer de très graves blessures ou être mortelles.

Pour faire le plein

- Arrêter le moteur et le laisser refroidir au moins 2 minutes avant de retirer le bouchon du réservoir.
 - Remplir le réservoir de carburant à l'extérieur ou dans un local extrêmement bien ventilé.
 - Ne pas trop remplir le réservoir de carburant. Pour permettre la dilatation de l'essence, ne pas remplir au-delà du bas du col de remplissage.
 - Veiller à tenir l'essence à l'écart des étincelles, des flammes nues, des veilleuses, de la chaleur et de toute autre source d'ignition.
 - Contrôler régulièrement que les durites, le réservoir, le bouchon et les raccords de réservoir ne présentent ni fissures, ni fuites. Remplacer si nécessaire.
 - Si du carburant a été renversé, attendre son évaporation complète avant de démarrer le moteur.
- Nettoyer le pourtour du bouchon d'essence de la poussière et des débris. Enlever le bouchon d'essence.

- Remplir le réservoir (A, Figure 6) d'essence. Pour permettre la dilatation du carburant, ne pas remplir au-delà du bas du la base du col de remplissage. (B).
- Remettre le bouchon du réservoir en place.

Démarrage et arrêt du moteur

Voir Figure : 7, 8

Démarrage du moteur



AVERTISSEMENT L'enroulement rapide de la corde du lanceur (effet de rebond) aura pour effet de tirer la main et le bras vers le moteur en moins de temps qu'on ne se l'imagine.

Cela risque d'entraîner des fêlures, des fractures, des ecchymoses ou des foulures.

- Pour démarrer le moteur, tirer lentement sur la corde de lanceur jusqu'à sentir une résistance puis tirer rapidement pour éviter l'effet de rebond.



AVERTISSEMENT Le carburant et ses vapeurs sont extrêmement inflammables et explosifs.

Un incendie ou une explosion peuvent provoquer des blessures très graves, voire mortelles.

Démarrage du moteur

- S'assurer que la bougie, le silencieux, le bouchon du réservoir de carburant et le filtre à air (si présent) sont montés et solidement fixés.
- Ne pas faire tourner le moteur sans la bougie.
- Si le moteur est noyé, placer le starter (si présent) en position OPEN / RUN (OUVERT/MARCHE), amener l'accélérateur (si présent) en position FAST (RAPIDE) et lancer le moteur jusqu'à ce qu'il démarre.



AVERTISSEMENT **RISQUE LIÉ AUX GAZ TOXIQUES.** Les gaz d'échappement du moteur contiennent du monoxyde de carbone, gaz toxique qui pourrait vous tuer en l'espace de quelques minutes. Il est INVISIBLE et INODORE. Même si vous n'inhalez pas de gaz d'échappement, vous courez toujours le risque de respirer du monoxyde de carbone. Si vous commencez à vous sentir malade, pris de vertiges ou faible quand vous utilisez cette machine, couper le moteur et sortir IMMÉDIATEMENT respirer de l'air frais. Consulter un médecin. Il se peut que vous soyez victime d'un empoisonnement au monoxyde de carbone.

- Utiliser cet équipement UNIQUEMENT à l'extérieur et à l'écart des fenêtres, portes et aérations pour réduire le risque d'accumulation de monoxyde de carbone et son éventuelle propagation à des espaces occupés.
- Selon les instructions du fabricant, installer des avertisseurs de monoxyde de carbone fonctionnant à piles ou alimentés par câble avec batterie de secours. Les détecteurs de fumée ne peuvent pas déceler la présence de monoxyde de carbone.
- NE PAS faire fonctionner ce produit dans des maisons, garages, sous-sols, vides sanitaires, remises de jardin ou d'autres espaces partiellement confinés, même si des ventilateurs, des portes ou des fenêtres ouvertes facilitent la ventilation. Le monoxyde de carbone peut s'accumuler rapidement dans ces espaces et subsister pendant des heures, même après l'arrêt de l'équipement.
- TOUJOURS positionner cet équipement dans le sens du vent et orienter l'échappement du moteur dans la direction opposée aux espaces occupés.

AVIS Ce moteur est livré sans huile par Briggs & Stratton. Avant de démarrer le moteur, s'assurer d'ajouter de l'huile en suivant les instructions de ce manuel. Si un moteur sans huile est mis en marche, il sera endommagé de manière irréversible et ne sera pas couvert par la garantie.

Remarque : L'équipement peut être doté de commandes à distance. Se reporter au manuel de l'équipement pour connaître l'emplacement et l'utilisation des commandes à distance.

- Vérifier l'huile moteur. Se reporter à la section **Vérifier le niveau d'huile**.
- S'assurer que les commandes d'entraînement de l'équipement, si présentes, sont débrayées.
- Amener le robinet d'essence (A, Figure 7) sur la position OPEN (OUVERTE).
- Amener la commande des gaz éventuellement présente (C, Figure 7) en position FAST (RAPIDE). Faire fonctionner le moteur en position FAST (RAPIDE).
- Amener la commande de starter (B, Figure 7) en position CHOKE (STARTER).

Remarque : Habituellement, le starter n'est pas nécessaire pour redémarrer un moteur chaud.

- Amener le commutateur d'arrêt éventuellement prévu (D, Figure 7) en position ON (MARCHÉ).
- Lanceur, éventuellement présent :** Maintenir fermement la poignée de corde de lanceur (E, Figure 7). Tirer la poignée de la corde de lanceur lentement jusqu'à sentir une résistance puis tirer rapidement.



AVERTISSEMENT

L'enroulement rapide de la corde du lanceur (effet de rebond) aura pour effet de tirer la main et le bras vers le moteur en moins de temps qu'on ne se l'imagine. Cela risque d'entraîner des déformations, des fractures, des ecchymoses ou des foulures. Pour démarrer le moteur, tirer lentement sur la corde de lanceur jusqu'à sentir une résistance puis tirer rapidement pour éviter l'effet de rebond.

- Démarrateur électrique, si équipé de la clé de sécurité (F) :** Enfoncer la clé de sécurité (F, Figure 7). Appuyer un instant sur le contacteur de démarrage (G). Lorsque le moteur démarre, relâcher le contacteur.
- Démarrateur électrique, si équipé du contacteur à clé de type automobile (F) :** Tourner le contacteur à clé (H, Figure 8) vers la position de démarrage. Lorsque le moteur démarre, relâcher le contacteur à clé.

AVIS Pour prolonger la durée de vie du démarreur, ne l'utiliser que pendant des cycles courts (cinq secondes maximum). Attendre une minute avant de recommencer.

- À mesure que le moteur chauffe, tourner la commande de starter (B, Figure 7) en position RUN (MARCHÉ).

Remarque : Si le moteur ne démarre pas malgré plusieurs tentatives, consulter la page BRIGGSandSTRATTON.com, contacter le Réparateur le plus proche ou appeler le 1-800-233-3723 (aux États-Unis).

Arrêt du moteur



AVERTISSEMENT



Le carburant et ses vapeurs sont extrêmement inflammables et explosifs.

Un incendie ou une explosion peuvent provoquer des blessures très graves, voire mortelles.

- Ne pas étrangler le carburateur pour arrêter le moteur.
- Commande des gaz, si présente :** Amener la commande des gaz (C, Figure 7) en position SLOW (RALENTI) puis STOP (ARRÊT).
Commutateur d'arrêt, si présent : Amener le commutateur d'arrêt (D, Figure 7) en position STOP (ARRÊT).
Clé de sécurité, si présente : Retirer la clé de sécurité (F, Figure 7) et la garder dans un endroit sûr hors de portée des enfants.
Contacteur à clé, si prévu : Mettre le contacteur à clé (H, Figure 8) en position OFF. Retirer la clé et la garder dans un endroit sûr hors de portée des enfants.
 - Après l'arrêt du moteur, amener le robinet d'(A, Figure 7) sur la position CLOSED (FERMÉE).

Entretien

AVIS Si le moteur est basculé pendant l'entretien, le réservoir de carburant doit être vidé et le côté où se trouve la bougie doit être en haut. Si le réservoir de carburant n'est pas vide et si le moteur est basculé dans toute autre direction, il sera peut-être difficile de le faire démarrer par suite d'huile ou de carburant contaminant le filtre à air et/ou la bougie.



AVERTISSEMENT

S'il est nécessaire de basculer l'équipement au cours de l'entretien, le réservoir de carburant, s'il est monté sur le moteur, doit être vidé, sinon le carburant risque de couler et d'entraîner un incendie ou une explosion.

Nous vous recommandons de confier à un Réparateur Briggs & Stratton agréé tout l'entretien de votre moteur et de ses pièces.

AVIS Tous les composants de ce moteur doivent rester à leur place d'origine pour que le moteur fonctionne correctement.



AVERTISSEMENT



Une étincelle accidentelle peut provoquer un incendie ou une décharge électrique.

Un démarrage accidentel peut causer un étranglement, l'amputation ou la lacération d'un membre.

Risque d'incendie

Avant d'effectuer des réglages ou des réparations :

- Débrancher le fil de bougie et l'attacher à bonne distance de la bougie.
- Débrancher le câble Négatif de la batterie (uniquement pour les moteurs à démarrage électrique).
- N'utiliser que les outils corrects.
- Ne pas modifier le ressort du régulateur, les tringles ou autres pièces pour augmenter le régime du moteur.
- Les pièces de rechange doivent être d'origine et installées de la même façon que les pièces remplacées. D'autres pièces peuvent ne pas fonctionner aussi bien, peuvent endommager la machine et peuvent provoquer des blessures.
- Ne pas taper sur le volant moteur avec un marteau ou un objet dur ; cela pourrait entraîner une rupture ultérieure du volant pendant que le moteur fonctionne.

Contrôle de l'étincelle :

- Utiliser un contrôleur homologué.
- Ne pas contrôler l'étincelle avec la bougie retirée.

Service du Contrôle des émissions

L'entretien, le remplacement ou la réparation des dispositifs et systèmes de contrôle des émissions peuvent être effectués par tout établissement de réparation de moteurs hors route ou par une personne qualifiée. Cependant, pour obtenir un service après-vente « gratuit » du contrôle des émissions, le travail doit être effectué par un revendeur agréé de l'usine. Voir la déclaration sur le contrôle des émissions.

Calendrier d'entretien

Après les 5 premières heures
<ul style="list-style-type: none">Changement de l'huile
Toutes les 8 heures ou chaque jour
<ul style="list-style-type: none">Vérification du niveau d'huile moteurNettoyage autour du silencieux et des commandesNettoyage de la grille d'entrée d'air
Toutes les 25 heures ou une fois par an
<ul style="list-style-type: none">Nettoyage du filtre à air ¹Nettoyer le pré-filtre (si présent) ¹
Toutes les 50 heures ou une fois par an
<ul style="list-style-type: none">Changement de l'huile moteurEntretien du système d'échappement
Toutes les 100 heures
<ul style="list-style-type: none">Changement de l'huile du réducteur (si présent)
Tous les ans
<ul style="list-style-type: none">Remplacement de la bougieRemplacement du filtre à airRemplacer le préfiltre (si présent)Remplacer le filtre à carburant (si présent)Entretien du système de carburantEntretien du circuit de refroidissement ¹Contrôler le jeu des soupapes ²

¹ À nettoyer plus fréquemment dans des conditions d'utilisation en atmosphère poussiéreuse ou chargée de débris en suspension.

² Non obligatoire si les performances du moteur ne sont pas altérées.

Carburateur et régime moteur

Ne jamais procéder à des réglages du carburateur ou du régime moteur. Le carburateur a été réglé à l'usine pour fonctionner de manière efficace dans la plupart des conditions. Ne pas altérer le ressort du régulateur, la tringlerie ou toute autre pièce pour augmenter le régime du moteur. Si un réglage s'impose, s'adresser à une Station Service Briggs & Stratton agréée.

AVIS Le constructeur de l'équipement spécifie le régime maximal du moteur tel qu'installé sur l'équipement. **Ne pas dépasser** ce régime. En cas de doute quant au régime maximal pour l'équipement ou au régime moteur configuré en sortie d'usine, s'adresser à une Station Service Briggs & Stratton agréée. Pour garantir la sécurité et le bon fonctionnement de l'équipement, le régime moteur ne doit être réglé que par un technicien de service qualifié.

Entretien de la bougie

Voir Figure : 9

Vérifier l'écartement des électrodes (A, Figure 9) avec une jauge à fil (B). Régler l'écartement des électrodes au besoin. Remettre la bougie et la serrer au couple recommandé. Pour régler l'écartement et trouver le couple de serrage, voir la section **Spécifications**.

Remarque : Dans certains pays, la législation impose l'emploi de bougies à résistance pour supprimer les parasites à l'allumage. Si ce moteur était équipé d'une bougie avec résistance, utiliser le même type de bougie lors de son remplacement.

Entretien du système d'échappement



Un moteur en marche produit de la chaleur. Les pièces du moteur, et plus particulièrement le silencieux, deviennent extrêmement chaudes.

Les toucher peut provoquer de graves brûlures.

Les débris combustibles comme les feuilles, l'herbe, les broussailles peuvent s'enflammer.

- Laisser le silencieux, le cylindre du moteur et les ailettes refroidir avant de les toucher.
- Retirer les débris accumulés autour du silencieux et du cylindre.
- L'utilisation ou le fonctionnement du moteur sur des terrains forestiers, broussailleux ou herbeux constituent une violation de la Section 4442 du California Public Resource Code, sauf si le système d'échappement est équipé d'un pare-étincelles, tel que défini dans la Section 4442, en bon état de fonctionnement. D'autres états ou juridictions fédérales peuvent appliquer des lois similaires. Contacter le fabricant, le distributeur ou le fournisseur d'origine de la machine pour obtenir un pare-étincelles conçu pour le système d'échappement installé sur ce moteur.

Retirer les débris accumulés autour du silencieux et du cylindre. Inspecter le silencieux à la recherche de fissures, de corrosion ou autre dommage. Retirer le déflecteur ou le pare-étincelles, le cas échéant, et inspecter s'ils sont endommagés ou obstrués par des dépôts de carbone. En cas de défaut constaté, remplacer les pièces défectueuses avant de réutiliser l'équipement.



Les pièces de rechange doivent être d'origine et installées de la même façon que les pièces remplacées. D'autres pièces peuvent ne pas fonctionner aussi bien, peuvent endommager la machine et peuvent provoquer des blessures.

Changement de l'huile moteur

Voir Figure : 10, 11, 12

L'huile usagée constitue un déchet dangereux qui doit être éliminée de façon appropriée. Ne pas la jeter avec les déchets ménagers. Se renseigner sur les lieux de collecte ou de recyclage auprès des autorités locales, du centre de services ou du concessionnaire.

Vidange de l'huile

1. Quand le moteur est arrêté mais encore chaud, débrancher le fil de la bougie (D, Figure 10) et le tenir à l'écart de la bougie (E).
2. Retirer le bouchon de vidange (F, Figure 11). Vidanger l'huile dans un récipient homologué.

Remarque : N'importe lequel des bouchons de vidange (G, Figure 11) peut être monté sur le moteur.

3. Quand l'huile a été vidangée, remettre et resserrer le bouchon de vidange (F, Figure 11).

Ajout d'huile

- Mettre le moteur de niveau.
- Nettoyer le pourtour de l'orifice de remplissage de tout débris.
- Voir la section **Spécifications** pour connaître la capacité d'huile.

Bouchon de remplissage d'huile, si présent

1. Retirer le bouchon de l'orifice de remplissage d'huile (H, Figure 11).
2. Verser lentement l'huile par l'orifice de remplissage du moteur (C, Figure 11). Remplir jusqu'au point de débordement.
3. Installer et resserrer le bouchon de l'orifice de remplissage d'huile (H, Figure 11).
4. Rebrancher le fil de la bougie (D, Figure 10) sur la bougie (E).

Jauge d'huile courte, si présente

1. Retirer la jauge (A, Figure 11) et la nettoyer avec un chiffon propre.
2. Verser lentement l'huile par l'orifice de remplissage du moteur (C, Figure 11). Remplir jusqu'au point de débordement.
3. Installer la jauge (A, Figure 11). **Ne pas tourner ou serrer**. Sortir la jauge et vérifier le niveau d'huile. Il doit être au ras de l'indicateur de niveau maximum (B) sur la jauge.
4. Remettre et resserrer la jauge (A, Figure 11).
5. Rebrancher le fil de la bougie (D, Figure 10) sur la bougie (E).

Jauge d'huile rehaussée, si présente

1. Retirer la jauge (A, Figure 12) et la nettoyer avec un chiffon propre.
2. Verser lentement l'huile par l'orifice de remplissage du moteur (C, Figure 12). **Ne pas trop remplir**. Après avoir ajouté de l'huile, attendre une (1) minute, puis vérifier à nouveau le niveau d'huile.
3. Remettre la jauge en place et la resserrer (A, Figure 12).
4. Sortir la jauge et vérifier le niveau d'huile. Il doit être au ras de l'indicateur de niveau maximum (B, Figure 12) sur la jauge.
5. Remettre et resserrer la jauge (A, Figure 12).
6. Rebrancher le fil de la bougie (D, Figure 10) sur la bougie (E).

Changement de l'huile du réducteur

Voir Figure : 13, 14

Réducteur 6:1 (Figure 13)

Si le moteur est équipé d'un réducteur 6:1, procéder comme suit pour l'entretien :

1. Retirer le bouchon de l'orifice de remplissage d'huile (A, Figure 13) et le bouchon de niveau d'huile (B).
2. Retirer le bouchon de vidange (C, Figure 13) et vidanger l'huile dans un récipient approprié.
3. Replacer et resserrer le bouchon de vidange (C, Figure 13).
4. Pour remplir, verser lentement le lubrifiant d'engrenage (voir la section **Spécifications**) dans l'orifice de remplissage d'huile (D, Figure 13). Continuer à verser jusqu'à ce que l'huile ressorte par l'orifice de niveau d'huile (E).
5. Remettre et resserrer le bouchon de niveau d'huile (B, Figure 13).
6. Remettre et resserrer le bouchon de l'orifice de remplissage d'huile (A, Figure 13).

Remarque : Le bouchon de l'orifice de remplissage d'huile (A, Figure 13) dispose d'un trou d'évent (F) et doit être installé au sommet du capot du carter d'engrenage, comme indiqué.

Réducteur 2:1 (Figure 14)

Il est inutile de changer l'huile du réducteur 2:1 (G, Figure 14).

Entretien du filtre à air

Voir Figure : 15, 16, 17



AVERTISSEMENT

Le carburant et ses vapeurs sont extrêmement inflammables et explosifs.

Un incendie ou une explosion peuvent provoquer des blessures très graves, voire mortelles.

- Ne jamais démarrer ou faire fonctionner le moteur sans filtre à air (si présent) ou sans le filtre à air (si présent).

AVIS Ne pas utiliser d'air comprimé ou de solvant pour nettoyer le filtre. L'air comprimé peut endommager le filtre et les solvants vont dissoudre le filtre.

Se reporter au **Calendrier d'entretien** pour connaître les prescriptions d'entretien.

Selon les modèles, le filtre peut être en mousse ou en papier. Certains modèles sont également équipés d'un préfiltre en option qui peut être lavé et réutilisé. Comparer les illustrations de ce manuel avec le type de filtre monté sur votre moteur et procéder comme suit pour l'entretien.

Filtre à air en papier

1. Desserrer la ou les attaches (A, Figure 15, 16).
2. Déposer le couvercle (B, Figure 15, 16).
3. Enlever le préfiltre si présent (C, Figure 15, 16) et le filtre (D).
4. Pour faire tomber les débris, tapoter doucement le filtre (D, Figure 15, 16) sur une surface dure. Si le filtre est trop sale, le remplacer par un neuf.
5. Laver le préfiltre si présent (C, Figure 15, 16) avec un liquide détergent et de l'eau. Bien laisser sécher le préfiltre à l'air libre. **Ne pas** huiler le préfiltre.
6. Attacher le préfiltre sec si présent (C, Figure 15, 16) au filtre (D) à l'aide de la lèvre (G) du préfiltre sur la partie inférieure des éléments plissés du filtre.
7. Installer le filtre (D, Figure 15, 16).
8. Sur les modèles équipés d'un filtre à air tel qu'indiqué sur la Figure 15, installer les taquets du couvercle (E) dans les fentes (F).
9. Monter le couvercle (B, Figure 15, 16) et le bloquer avec la ou les attaches (A).

Filtre à air en papier

1. Desserrer la ou les attaches (A, Figure 17).
2. Déposer le couvercle (B, Figure 17).
3. Enlever le préfiltre si présent (C, Figure 17) et le filtre (D).
4. Pour faire tomber les débris, tapoter doucement le filtre (D, Figure 17) sur une surface dure. Si le filtre est trop sale, le remplacer par un neuf.
5. Enlever le préfiltre si présent (C, Figure 17) du filtre (D).
6. Laver le préfiltre si présent (C, Figure 17) avec un liquide détergent et de l'eau. Bien laisser sécher le préfiltre à l'air libre. **Ne pas** huiler le préfiltre.
7. Installer le préfiltre sec si présent (C, Figure 17) sur le filtre (D).
8. Monter le filtre (D, Figure 17) et le préfiltre (C), si présent, sur l'embase (E) et sur le goujon (F). Vérifier que le filtre est correctement fixé sur l'embase.
9. Monter le couvercle du filtre à air (B, Figure 17) et le bloquer avec la ou les attaches (A). S'assurer que la ou les attaches soient bien serrées.

Entretien du système de carburant

Voir Figure : 18, 19



AVERTISSEMENT

L'essence et ses vapeurs sont extrêmement inflammables et explosifs.

Un incendie ou une explosion peuvent provoquer de très graves blessures ou être mortelles.

- Veiller à tenir l'essence à l'écart des étincelles, des flammes nues, des veilleuses, de la chaleur et de toute autre source d'ignition.
- Contrôler régulièrement que les durites, le réservoir, le bouchon et les raccords de réservoir ne présentent ni fissures, ni fuites. Remplacer si nécessaire.
- Avant de nettoyer ou de remplacer le filtre à carburant, vidanger le réservoir d'essence ou fermer le robinet d'essence.
- Si du carburant a été renversé, attendre son évaporation complète avant de démarrer le moteur.

- Les pièces de rechange doivent être d'origine et installées de la même façon que les pièces remplacées.

Filtre à carburant, si prévu

1. Avant de nettoyer ou de remplacer le filtre à carburant (A, Figure 18), vidanger le réservoir d'essence ou fermer le robinet d'essence. Sinon une fuite de carburant peut causer un incendie ou une explosion.
2. Utiliser des pinces pour serrer les languettes (B, Figure 18) sur les colliers puis glisser les colliers loin du filtre à carburant (A). Tourner et débrancher les Durits du filtre à essence.
3. Vérifier les Durits (D, Figure 18) pour y détecter toute fissure ou fuite. Remplacer si nécessaire.
4. Remplacer le filtre à carburant (A, Figure 18) par un filtre d'origine.
5. Fixer les Durits (D, Figure 18) avec les colliers (C) comme indiqué.

Filtre à carburant, si prévu

1. Retirer le bouchon du réservoir de carburant (A, Figure 19).
2. Retirer le filtre à carburant (B, Figure 19).
3. Si le filtre est colmaté, le nettoyer ou le remplacer. En cas de remplacement, veiller à utiliser un filtre de rechange d'origine.

Entretien du système de refroidissement



AVERTISSEMENT

Un moteur en marche produit de la chaleur. Les pièces du moteur, et plus particulièrement le silencieux, deviennent extrêmement chaudes.

Les toucher peut provoquer de graves brûlures.

Les débris combustibles comme les feuilles, l'herbe, les broussailles, entre autres, peuvent s'enflammer.

- Laisser le silencieux, le cylindre du moteur et les ailettes refroidir avant de les toucher.
- Retirer les débris accumulés autour du silencieux et du cylindre.

AVIS Ne pas utiliser d'eau pour nettoyer le moteur. L'eau peut contaminer le système d'alimentation en essence. Utiliser une brosse ou un chiffon sec pour nettoyer le moteur.

Ce moteur est refroidi par air. De la poussière ou des débris peuvent affecter le débit d'air et faire chauffer le moteur, ce qui réduit ses performances et sa durée de vie.

1. Utiliser une brosse ou un chiffon sec pour enlever les débris de la grille d'entrée d'air.
2. Nettoyer les biellettes, les ressorts et les commandes.
3. Ne pas laisser les débris combustibles s'accumuler autour et derrière le silencieux d'échappement, si prévu.
4. S'assurer que les ailettes du radiateur d'huile, si prévu, sont exemptes de saleté et de débris.

Avec le temps, des débris peuvent s'accumuler dans les ailettes de refroidissement du cylindre et entraîner une surchauffe de celui-ci. Ces débris ne sont pas visibles sans un démontage partiel du moteur. Pour cette raison, faire procéder par un Réparateur Briggs & Stratton agréé à une inspection et à un nettoyage du système de refroidissement à air selon les prescriptions du **Programme d'entretien**.

Entreposage



AVERTISSEMENT

L'essence et ses vapeurs sont hautement inflammables et explosives.

Un incendie ou une explosion peuvent entraîner de graves brûlures, voire même la mort.

Entreposage de carburant ou d'équipements dont le réservoir contient du carburant

- Entrez-les à l'écart des chaudières, cuisinières, chauffe-eaux ou autres appareils ménagers comportant une veilleuse ou une autre source d'inflammation pouvant enflammer les vapeurs d'essence.

Circuit d'alimentation

Voir l'illustration : 20

Ranger le levier du moteur (en position normale de fonctionnement). Remplissage du réservoir (A, Figure 20) avec du carburant. Pour permettre l'expansion du carburant, ne pas dépasser le col de remplissage du réservoir en faisant le plein (B).

Le carburant peut s'éventer quand il est stocké plus de 30 jours. Un carburant éventé peut occasionner la formation de dépôts acides et de gomme dans le système d'alimentation ou sur les pièces essentielles du carburateur. Pour que le carburant conserve toutes ses propriétés, utilisez le **stabilisateur et agent de traitement de carburant à formule avancée Briggs & Stratton**, disponible dans tous les points de vente de pièces d'entretien d'origine Briggs & Stratton.

Il n'est pas nécessaire de purger l'essence du moteur si un stabilisateur de carburant a été ajouté selon les instructions. Avant son entreposage, faire tourner le moteur pendant deux (2) minutes pour faire circuler le stabilisateur dans le circuit d'alimentation.

Si le carburant dans le moteur n'a pas été traité avec un stabilisateur de carburant, il doit être purgé dans un récipient approuvé. Faire fonctionner le moteur jusqu'à ce qu'il s'arrête, faute de carburant. L'utilisation d'un stabilisateur de carburant dans le récipient d'entreposage est recommandée pour que le carburant conserve toutes ses propriétés.

Huile moteur

Pendant que le moteur est encore chaud, changer l'huile du moteur. Voir la section **Changer l'huile moteur**.

Dépannage

Pour obtenir de l'aide, prendre contact avec le Réparateur le plus proche, consulter la page **BRIGGSandSTRATTON.com** ou appeler le **1-800-233-3723** (aux États-Unis).

Spécifications

Modèle : 120000	
Cylindrée	12.48 ci (205 cc)
Alésage	2.688 in (65,28 mm)
Course	2.200 in (55,88 mm)
Capacité d'huile	18 - 20 oz (,54 - ,59 L)
Huile du réducteur, type	80W-90
Huile du réducteur, capacité	4 oz (0,12 L)
Écartement des électrodes de bougie	.030 in (,76 mm)
Couple de serrage de bougie	180 lb-in (20 Nm)
Entrefer volant/bobine	.010 - .014 in (,25 - ,36 mm)
Jeu de soupape d'admission	.004 - .006 in (,10 - ,15 mm)
Jeu de soupape d'échappement	.009 - .011 in (,23 - ,28 mm)

Modèle : 150000	
Cylindrée	15.24 ci (250 cc)
Alésage	2.970 in (75,44 mm)
Course	2.200 in (55,88 mm)
Capacité d'huile	18 - 20 oz (,54 - ,59 L)
Huile du réducteur, type	80W-90
Huile du réducteur, capacité	4 oz (0,12 L)
Écartement des électrodes de bougie	.030 in (,76 mm)
Couple de serrage de bougie	180 lb-in (20 Nm)
Entrefer volant/bobine	.010 - .014 in (,25 - ,36 mm)
Jeu de soupape d'admission	.004 - .006 in (,10 - ,15 mm)
Jeu de soupape d'échappement	.009 - .011 in (,23 - ,28 mm)

Modèle : 200000	
Cylindrée	15.63 ci (305 cc)
Alésage	3.120 in (79,24 mm)
Course	2.438 in (61,93 mm)
Capacité d'huile	26 - 28 oz (,77 - ,83 L)
Huile du réducteur, type	SAE 30
Huile du réducteur, capacité	12 oz (,35 L)

Modèle : 200000	
Écartement des électrodes de bougie	.030 in (,76 mm)
Couple de serrage de bougie	180 lb-in (20 Nm)
Entrefer volant/bobine	.008 - .012 in (,20 - ,30 mm)
Jeu de soupape d'admission	.004 - .006 in (,10 - ,15 mm)
Jeu de soupape d'échappement	.004 - .006 in (,10 - ,15 mm)

Modèle : 210000	
Cylindrée	20.85 ci (342 cc)
Alésage	3.300 in (83,81 mm)
Course	2.438 in (61,93 mm)
Capacité d'huile	26 - 28 oz (,77 - ,83 L)
Huile du réducteur, type	SAE 30
Huile du réducteur, capacité	12 oz (,35 L)
Écartement des électrodes de bougie	.030 in (,76 mm)
Couple de serrage de bougie	180 lb-in (20 Nm)
Entrefer volant/bobine	.008 - .012 in (,20 - ,30 mm)
Jeu de soupape d'admission	.004 - .006 in (,10 - ,15 mm)
Jeu de soupape d'échappement	.004 - .006 in (,10 - ,15 mm)

La puissance du moteur diminuera de 3,5 % à chaque palier d'altitude de 300 mètres (par rapport au niveau de la mer) et de 1 % tous les 5,6 °C à partir de 25° C. Le moteur fonctionne de façon satisfaisante à un angle allant jusqu'à 15°. Consulter le mode d'emploi de l'équipement pour une utilisation sûre en pente.

Pièces de rechange - Modèle : 120000, 150000, 200000, 210000	
Pièce de rechange	Référence de pièce
Filtre à air plat	491588, 5043
Préfiltre du filtre à air plat	493537, 5064
Filtre à air ovale (Modèles 120000, 150000)	697029, 5059
Préfiltre du filtre à air ovale (Modèles 120000, 150000)	273356
Filtre à air ovale (Modèles 200000, 210000)	695302
Préfiltre du filtre à air ovale (Modèles 200000, 210000)	695303
Filtre à carburant	694485
Stabilisateur & agent de traitement de carburant à formule avancée	100117, 100120
Bougie à résistance	491055
Bougie en platine longue durée	5066
Clé à bougie	89838, 5023
Éclateur	19368

Nous vous recommandons de confier à un Réparateur Briggs & Stratton agréé tout l'entretien de votre moteur et de ses pièces.

Puissances nominales : La puissance brute de chaque modèle de moteur à essence est indiquée conformément au Code J1940 (procédure de calcul de la puissance et du couple des petits moteurs) de la norme SAE (Society of Automotive Engineers), et elle a été obtenue conformément à la norme SAE J1995. Les valeurs de couple sont calculées à 2 600 tr/min pour les moteurs dont l'étiquette porte la mention « RPM » et à 3 060 tr/min pour tous les autres. Les valeurs en CV sont dérivées à 3 600 tr/min. Les courbes de puissance brute peuvent être consultées sur le site www.BRIGGSandSTRATTON.COM. Les valeurs données pour la puissance nette sont mesurées avec l'échappement ou le filtre à air installé tandis que les valeurs données pour la puissance brute sont recueillies sans ces accessoires. La puissance brute réelle du moteur sera plus élevée que la puissance nette du moteur et est affectée, entre autres, par les conditions atmosphériques de fonctionnement et les variations d'un moteur à l'autre. Compte tenu de la grande variété de machines sur lesquelles nos moteurs sont utilisés, il se peut que le moteur à essence ne développe pas la puissance nominale brute une fois qu'il est monté sur une machine particulière. Cette différence s'explique par un grand nombre de facteurs, y compris, sans toutefois s'y limiter, la diversité des composants du moteur (filtre à air, échappement, admission, refroidissement, carburateur, pompe à essence, etc.), limites d'utilisation, conditions ambiantes d'utilisation (température, humidité, altitude) et variations d'un moteur à l'autre. Pour des raisons de fabrication et de capacité limitées, Briggs & Stratton est susceptible de remplacer ce modèle par un moteur plus puissant.

Garantie

Garantie sur le moteur Briggs & Stratton

En vigueur à partir de janvier 2017

Garantie limitée

Briggs & Stratton garantit la réparation ou le remplacement gratuit, pendant la période de garantie spécifiée ci-dessous, de toute pièce présentant des défauts matériels ou de fabrication. Les frais de transport du produit à réparer ou remplacer seront, dans le cadre de cette garantie, à la charge de l'acheteur. Cette garantie court sur les périodes énoncées ci-dessous et est assujettie aux conditions énoncées ci-dessous. Pour le service de garantie, vous trouverez le centre de réparations agréé le plus proche dans notre carte des points de vente à l'adresse BRIGGSandSTRATTON.COM. L'acheteur doit contacter le distributeur agréé puis lui confier le produit à des fins d'inspection et de test.

Il n'existe aucune autre garantie expresse. Les garanties implicites, y compris celles de qualité marchande et d'adéquation à un usage particulier sont limitées à la période de garantie indiquée ci-dessous, ou dans la mesure permise par la loi. Les responsabilités relatives aux dommages consécutifs ou indirects sont exclues dès lors que cette exclusion est autorisée par la loi. Certains États ou pays ne permettent pas les limitations de durée de la garantie implicite. Certains États ou pays n'autorisent pas l'exclusion ou la limitation des dommages consécutifs ou indirects. Dans ce cas, l'exclusion et la limitation ci-dessus ne s'appliquent pas à votre cas. La présente garantie vous accorde certains droits légaux spécifiques et vous pourriez également en avoir d'autres, lesquels peuvent varier d'un État ou d'une province à l'autre et d'un pays à l'autre ⁴.

Conditions standards de la garantie ^{1, 2, 3}

Marque / Type de produit	Utilisation par le consommateur	Usage professionnel
Vanguard™ ; série commerciale	36 mois	36 mois
Moteurs à chemise en fonte à alésage Dura-Bore™	24 mois	12 mois
Tous les autres moteurs	24 mois	3 mois

¹Ce sont nos conditions standards de garantie, mais il peut y avoir, de temps à autre, une garantie supplémentaire qui n'a pas été définie à la date de la publication. Pour connaître les modalités actuelles de garantie s'appliquant à votre moteur, visitez le site www.BRIGGSandSTRATTON.com ou contactez votre revendeur Briggs & Stratton agréé.

² Il n'y a aucune garantie sur les moteurs utilisés pour l'alimentation de base à la place des services publics ou des générateurs de secours utilisés à des fins commerciales. Les moteurs utilisés en course automobile ou avec un but d'exploitation commerciale ou de location ne sont pas garantis.

³ Vanguard installé sur des générateurs de secours : 24 mois en usage privé, aucune garantie pour une utilisation commerciale. Vanguard installé sur des véhicules utilitaires : 24 mois en usage privé, 24 mois pour une utilisation commerciale. La série commerciale dont la date de fabrication est antérieure à juillet 2017, 24 mois en usage privé, 24 mois pour une utilisation commerciale.

⁴ En Australie – Nos produits sont accompagnés de garanties qui ne peuvent être exclues en vertu de la loi australienne de protection du consommateur (Australian Consumer Law). Vous pouvez obtenir un remplacement ou un remboursement en cas de défaillance majeure ou en compensation de toute perte ou de tout dommage survenus dans le cadre des conditions raisonnablement prévisibles d'utilisation du produit. Vous pouvez également bénéficier de la réparation ou du remplacement des produits si la qualité de ces derniers n'est pas acceptable et si le défaut n'entraîne pas de défaillance majeure. Pour les réparations couvertes par la garantie, trouvez le réparateur agréé le plus proche de chez vous au moyen de la carte localisatrice de nos revendeurs sur le site BRIGGSandSTRATTON.COM, ou en composant le 1-300-274-447, ou en envoyant un courrier électronique à salesenquiries@briggsandstratton.com.au, ou en écrivant à Briggs & Stratton Australia Pty Ltd, 1 Moorebank Avenue, Moorebank, NSW, Australie, 2170.

La période de garantie débute à la date d'achat par le premier acheteur au détail ou par le premier utilisateur commercial final. L'utilisation en « usage privé » signifie que le produit sera utilisé par un consommateur au détail dans un but privé. L'« utilisation commerciale » indique toutes les autres utilisations possibles, y compris commerciales, créatrices de revenus ou locatives. Dès qu'un moteur a servi à des fins commerciales, il sera considéré comme un moteur pour une utilisation commerciale dans le cadre de la présente garantie.

Conservez le reçu de votre achat. Si vous ne fournissez pas la preuve de la date d'achat initiale au moment de la demande du service de garantie, la date de fabrication du produit sera retenue pour déterminer la période de garantie. L'enregistrement du produit n'est pas nécessaire pour bénéficier de la garantie sur les produits Briggs & Stratton.

Au sujet de votre garantie

Cette garantie limitée couvre le matériel relatif au moteur et/ou les problèmes de fabrication uniquement, et non le remplacement ou le remboursement de la machine sur lequel le moteur était installé. Les mises au point de routine, les réglages, les ajustements et l'usage normale ne sont pas couvertes par cette garantie. De même, la garantie ne s'applique pas si le moteur a été altéré ou modifié, ou si le numéro de série du moteur a été dégradé ou

effacé. Cette garantie ne couvre pas les dommages du moteur ou les problèmes de performance dus à :

1. L'usage de pièces qui ne sont pas des pièces d'origine Briggs & Stratton ;
2. L'utilisation du moteur avec de l'huile en quantité insuffisante, contaminée ou d'un grade de lubrification inadéquat ;
3. L'usage de carburant contaminé ou éventé, d'essence contenant plus de 10 % d'éthanol ou de carburants de remplacement tels que le pétrole liquéfié ou le gaz naturel sur des moteurs non conçus/fabriqués par Briggs & Stratton pour de tels carburants ;
4. Les saletés qui pénètrent dans le moteur du fait d'un entretien inadéquat du filtre à air ou de son remontage ;
5. Heurter un objet avec le couteau d'une tondeuse à gazon rotative, des adaptateurs de lames desserrés ou mal montés, des turbines ou tout autre dispositif couplé à un vilebrequin, ou un serrage excessif de la courroie en V ;
6. Les pièces associées ou ensembles tels que les embrayages, les transmissions, les commandes du matériel, etc. qui ne sont pas fournis par Briggs & Stratton ;
7. Surchauffe provoquée par l'herbe coupée, les saletés et les débris, ou les nids de rongeurs qui obstruent ou bouchent les ailettes de refroidissement ou la zone du volant moteur ou par le fonctionnement du moteur sans une aération suffisante ;
8. Des vibrations excessives provoquées par un surrégime, un montage mal serré du moteur, des lames ou turbines desserrées ou mal équilibrées, ou un mauvais couplage des composants du matériel au vilebrequin ;
9. Un abus, un manque d'entretien courant, l'expédition, la manutention ou l'entreposage de l'équipement ou une mauvaise installation du moteur.

Les services couverts par la garantie sont assurés par les distributeurs Briggs & Stratton agréés uniquement. Trouvez votre centre de services autorisé le plus proche en utilisant la carte localisatrice de nos revendeurs sur le site BRIGGSandSTRATTON.COM ou en appelant le 1-800-233-3723 (aux États-Unis).

80004537 (Rév. C)

Este manual contém informações de segurança para informá-lo sobre os perigos e riscos associados aos cortadores de grama, e como evitá-los. Também contém instruções para o uso e cuidados adequados do motor. A Briggs & Stratton Corporation não sabe necessariamente em qual equipamento este motor será utilizado. Por essa razão, é importante que você leia e compreenda essas instruções também as instruções do equipamento. **Guarde estas instruções originais para referência futura.**

Nota: As figuras e ilustrações deste manual são fornecidas apenas para fins de referência e podem ser diferentes do seu modelo específico. Contate seu representante se tiver perguntas.

Para solicitar peças de reposição ou assistência técnica, registre abaixo o modelo do motor, o tipo e os números de código, juntamente com a data de compra. Estes números localizam-se em seu motor (consulte a seção **Recursos e controles**).

Data de compra	
Modelo do motor - Tipo - Identificação	
Número de Série da Unidade:	

Procure o código de barras 2D localizado em alguns motores. Ao ser visualizado com um dispositivo habilitado para 2D, o código o direcionará para nosso site, no qual será possível obter informações de suporte para este produto. Será cobrada tarifa de dados. Alguns países talvez não tenham informações de suporte online disponível.



Segurança do Operador

Símbolo de alerta de segurança e palavras de sinalização

O símbolo de alerta de segurança é usado para identificar informações de segurança sobre os riscos que podem resultar em ferimentos pessoais. Sinais com as palavras (PERIGO, ADVERTÊNCIA ou CUIDADO) são usadas com o símbolo de alerta para indicar a possibilidade de ferimentos graves. Além disso, um símbolo de perigo pode ser usado para representar o tipo de perigo.

PERIGO indica um perigo que, se não for evitado, **resultará em morte ou ferimentos graves.**

ADVERTÊNCIA indica um perigo que, se não for evitado, **pode resultar em morte ou ferimentos graves.**

CUIDADO indica um perigo que, se não for evitado, **pode resultar em ferimentos leves ou moderados.**

AVISO indica uma situação que **pode resultar em avarias no produto.**

Símbolos de perigo e significados

Símbolo	Significado	Símbolo	Significado
	Informações de segurança relativas a perigos que poderão resultar em ferimentos pessoais.		Antes de fazer manutenção da unidade, conheça e entenda o manual de operação.
	Risco de incêndio		Risco de explosão
	Risco de choque		Risco de fumaças tóxicas

Símbolo	Significado	Símbolo	Significado
	Risco de superfície quente		Risco de ruídos: é recomendado usar de protetores auriculares para uso prolongado.
	Risco de objetos arremessados: use proteção para os olhos.		Risco de explosão
	Risco de úlcera causada pelo congelamento		Risco de contragolpe
	Risco de amputação: peças em movimento		Risco de substâncias químicas
	Risco de calor térmico		Corrosivo

Mensagens de segurança



ADVERTÊNCIA

Certos componentes deste produto e acessórios contêm produtos químicos reconhecidos pelo Estado da Califórnia como causadores de câncer, deformações fetais ou outros danos reprodutivos. Lave as mãos depois de manusear.



ADVERTÊNCIA

Os gases de exaustão do motor desde produto contêm produtos químicos reconhecidos pelo Estado da Califórnia como causadores de câncer, deformações fetais ou outros danos reprodutivos.



ADVERTÊNCIA

Os motores Briggs & Stratton não foram projetados para serem usados alimentar: fun karts; go-karts; veículos para crianças, recreativos ou quadriciclos; motos; aerodeslizadores (hovercraft); produtos de aeronaves; ou veículos utilizados em eventos competitivos não previstos pela Briggs & Stratton. Para obter informações sobre produtos para corridas, consulte o site www.briggsracing.com. Para o uso com quadriciclos utilitários e compostos, entre em contato com a Central de aplicação de motores da Briggs & Stratton ligando para 1-866-927-3349. A aplicação incorreta do motor pode resultar em ferimentos graves ou morte.



ADVERTÊNCIA



O combustível e seus vapores são extremamente inflamáveis e explosivos.

Fogo ou explosão podem causar queimaduras graves ou morte.

Ao adicionar combustível

- Desligue o motor e deixe-o esfriar pelo menos 2 minutos antes de remover a tampa de combustível.
- Abasteça o tanque de combustível ao ar livre ou em área bem ventilada.
- Não encha demais o tanque de combustível. Para permitir a expansão do combustível, não encha acima da parte inferior do bocal do tanque de combustível.
- Mantenha a gasolina distante de fagulhas, chamas, luzes piloto, calor ou outras fontes de ignição.
- Verifique as linhas de combustível, tanque, tampa e encaixes frequentemente à procura de rachaduras ou vazamentos. Substitua, se necessário.
- Se houver derramamentos, aguarde até que evapore antes de acionar o motor.

Quando der partida no motor

- Assegure-se de que a vela de ignição, o silencioso, a tampa do combustível e o limpador de ar (se houver) estejam no lugar e seguros.
- Não ligue o motor com a vela de ignição removida.
- Se o motor afogar, ajuste o afogador (se houver) na posição OPEN/RUN (aberto/em funcionamento), coloque o acelerador (se houver) na posição FAST (rápido) e acione até o motor ligar.

Ao operar o equipamento

- Não incline o motor nem o equipamento num ângulo que possa provocar derramamento de combustível.
- Não afogue o carburador a fim de desligar o motor.
- Nunca dê partida ou movimente o motor com o conjunto do purificador de ar (caso montado) ou o filtro de ar (caso montado) removidos.

Ao trocar o óleo

- Se você drenar o óleo do tubo superior de enchimento de óleo, o tanque de combustível deverá estar vazio ou o combustível pode vaziar, resultando em incêndio ou explosão.

Ao inclinar a unidade para manutenção

- Se for necessário inclinar a unidade para fazer a manutenção, o tanque de combustível deve estar vazio, caso contrário poderá haver vazamento, o que resultará em incêndio ou explosão.

Ao transportar o equipamento

- Transporte com o tanque de combustível VAZIO ou com a válvula de fechamento de combustível na posição FECHADA.

Quando armazenar combustível ou equipamento com combustível no tanque

- Guarde o motor longe de fornalhas, fogões, aquecedores de água ou outros aparelhos com chama piloto, ou outras fontes de ignição, pois estas podem inflamar os vapores de combustível.



AVERTÊNCIA

Acionar o motor produz faísca.

As faíscas poderão incendiar os gases inflamáveis que se encontram na área.

Isto pode resultar em explosão e incêndio.

- Se tiver conhecimento de algum vazamento de gás natural ou de petróleo liquefeito na área, não dê a partida do motor.
- Não utilize fluidos de acionamento pressurizados, porque os vapores são inflamáveis.



AVERTÊNCIA

PERIGO DE GÁS TÓXICO. O escapamento do motor contém monóxido de carbono, um gás venenoso capaz de matar em minutos. NÃO é possível enxergá-lo, cheirá-lo ou sentir o seu gosto. Mesmo se você não sentir o cheiro dos gases de escape, você ainda pode estar exposto ao gás monóxido de carbono. Se você começar a se sentir enjoado, com tonturas ou fraqueza durante a utilização deste produto, desligue-o e respire ar fresco **IMEDIATAMENTE**. Consulte um médico. Pode estar intoxicado por monóxido de carbono.

- Opere este produto APENAS em área externa, longe de janelas, portas e aberturas, para reduzir o risco de acúmulo de monóxido de carbono e da potencial tomada de espaços ocupados.
- Instale alarmes de monóxido de carbono operados por bateria ou alarmes de monóxido de carbono adaptados para encaixe, com back-up de bateria, de acordo com as instruções do fabricante. Alarmes de fumaça não detectam o gás monóxido de carbono.
- NÃO opere este produto dentro das casas, garagens, porões, espaços muito apertados, galpões ou outros espaços parcialmente fechados, mesmo se utilizar ventiladores ou abrir portas e janelas para ventilação. O monóxido de carbono pode se acumular rapidamente nesses espaços e pode permanecer por horas, mesmo após o desligamento do produto.
- SEMPRE coloque este produto a favor do vento e aponte o escapamento do motor para fora de espaços ocupados.



AVERTÊNCIA

A rápida retração da corda da partida (contragolpe) puxará a mão e o braço em direção ao motor mais rapidamente do que você a poderia soltar.

Isto pode resultar em ossos quebrados, fraturas, contusões ou distensões.

- Quando der a partida no motor, puxe a corda da partida lentamente até sentir resistência e então a puxe rapidamente para evitar o contragolpe.
- Retire todas as cargas sobre o motor/equipamento externo antes de dar a partida.
- Os componentes do equipamento diretamente conectados, como lâminas, impulsores, polias, dentes de roda, etc., devem estar seguramente fixados.



AVERTÊNCIA

As peças rotativas podem entrar em contato ou prender mãos, pés, cabelo, vestuário ou acessórios.

Isto pode resultar em amputação traumática ou grave laceração.

- Opere o equipamento com as proteções no devido lugar.
- Mantenha as mãos e os pés afastados das peças rotativas.
- Prenda o cabelo e retire as joias.
- Não use roupa solta, cordões pendentes ou itens que possam ficar presos.



AVERTÊNCIA

O funcionamento dos motores produz calor. As peças do motor, especialmente o abafador, tornam-se extremamente quentes.

O contato pode causar queimaduras graves.

Detritos combustíveis, como folhas, grama, gravetos, etc., podem pegar fogo.

- Espere o silencioso, o cilindro do motor e as aletas esfriarem antes de tocar.
- Remova resíduos acumulados da área do silencioso e do cilindro.
- É uma violação do Código de Recurso Público da Califórnia, Seção 4442, usar ou operar o motor em qualquer terra coberta por florestas, arbustos ou grama, a não ser que o sistema de exaustão esteja equipado com um fagulheiro, conforme definido na Seção 4442, mantido em perfeitas condições de funcionamento. Os outros estados ou jurisdições federais poderão ter leis similares. Entre em contato com o fabricante de equipamento original, varejista ou concessionário para obter um protetor de faísca projetado para o sistema de escapamento instalado neste motor.



AVERTÊNCIA

Faíscas não intencionais poderão resultar em incêndio ou choque elétrico.

A partida não intencional pode resultar em emaranhamento, amputação traumática ou laceração.

Risco de incêndio

Antes de realizar ajustes ou reparos:

- Desconecte o cabo da vela de ignição e mantenha-o afastado da vela de ignição.
- Desconecte o terminal negativo da bateria (somente nos motores com partida elétrica).
- Utilize apenas as ferramentas adequadas.
- Não altere o regulador do motor, as ligações ou outras peças para aumentar a velocidade do motor.
- Peças de reposição devem ser do mesmo design e instaladas na mesma posição que as peças originais. Outras peças podem não ter o mesmo desempenho, danificar a unidade e resultar em ferimentos pessoais.
- Não golpeie o volante do motor com um martelo ou objeto sólido, pois poderá quebrar mais tarde durante o funcionamento.

Ao testar a presença de ignição:

- Use um testador de vela de ignição aprovado.
- Não verifique a existência de ignição com a vela de ignição removida.

Recursos e controles

Controles do motor

Compare a ilustração (Figuras: 1, 2, 3) com seu motor para familiarizar-se com o local de vários recursos e controles.

- A. Identificador do motor **Modelo - Tipo - Código**
- B. Vela de ignição
- C. Filtro de ar (plano ou oval)
- D. Controle do afogador
- E. Fechamento de combustível (se houver)
- F. Alça da corda de partida
- G. Grelha de admissão de ar
- H. Controle de acelerador (se houver)
- I. Interruptor de parada (se houver)
- J. Tampa e tanque de combustível
- K. Vareta estendida (se houver)
- L. Vareta curta (se houver)
- M. Bujão de drenagem de óleo
- N. Bocal de abastecimento de óleo
- O. Silencioso, Proteção do silencioso (se houver), Retentor de faíscas (se houver)
- P. Chave de segurança (modelos de partida elétrica)
- Q. Interruptor LIGA/DESLIGA (modelos com partida elétrica)
- R. Unidade do redutor (se houver)
- S. Interruptor de ignição (modelos com partida elétrica)

Símbolos e significados do controle do motor

Símbolo	Significado	Símbolo	Significado
	Velocidade do motor - RÁPIDO		Velocidade do motor - LENTO
	Velocidade do motor - PARAR		LIGADO - DESLIGADO
	Partida do motor - Afogador FECHADO		Partida do motor - Afogador ABERTO
	Tampa de combustível Fechamento do combustível - ABERTO		Fechamento do combustível - FECHADO
	Nível do combustível - Máximo Não deixe transbordar		

Operação

Recomendações sobre o óleo

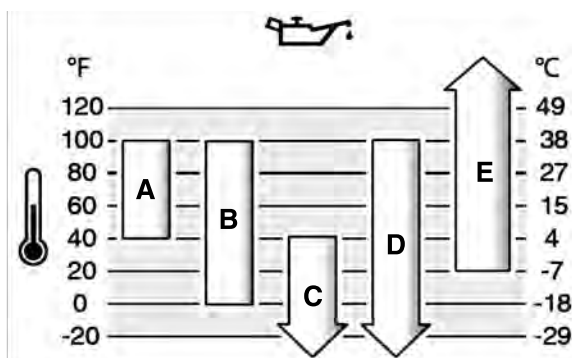
Capacidade do óleo: Veja a seção de *Especificações*.

AVISO

O motor foi enviado da Briggs & Stratton sem óleo. Os fabricantes ou revendedores de equipamentos podem ter adicionado óleo ao motor. Antes de ligar o motor pela primeira vez, verifique o nível do óleo e adicione óleo de acordo com as instruções deste manual. Se o motor for acionado sem óleo, ele será danificado permanentemente e não estará coberto pela garantia.

Recomendamos o uso dos óleos com certificação de garantia Briggs & Stratton para um melhor desempenho. Outros óleos detergentes de alta qualidade são aceitáveis, caso estejam classificados para o serviço SF, SG, SH, SJ ou mais alto. Não use aditivos especiais.

As temperaturas ao ar livre determinam a viscosidade adequada do óleo para o motor. Use a tabela para selecionar a melhor viscosidade para a faixa de temperatura ao ar livre esperada. Motores na maioria dos equipamentos elétricos ao ar livre operam bem com óleo sintético 5W-30. Para equipamentos operados em altas temperaturas, o óleo sintético Vanguard™ 15W-50 oferece a melhor proteção.



A	SAE 30 - O óleo SAE 30, quando utilizado a temperaturas inferiores a 4 °C (40 °F) provocará uma partida difícil do motor.
B	10W-30 - A utilização do 10W-30 acima de 27 °C (80 °F) pode aumentar o consumo de óleo. Verifique o nível de óleo com mais frequência.
C	5W-30
D	Sintético 5W-30
E	Sintético Vanguard™ 15W-50

Verificar o nível do óleo

Consulte a Figura: 4, 5

Antes de adicionar ou verificar o óleo

- Verifique se o motor está nivelado.
- Limpe a área de abastecimento de óleo de qualquer resíduo.

Tampão de abastecimento de óleo, se houver

1. Remova o tampão de abastecimento de óleo (A, Figura 4).
2. Se o nível estiver baixo, adicione óleo lentamente dentro do bocal de abastecimento de óleo do motor (B, Figura 4). Encha até o ponto de transbordamento.
3. Reinstale e aperte o tampão de abastecimento de óleo (A, Figura 4).

Vareta curta, se houver

1. Remova a vareta (C, Figura 4) e passe um pano limpo.
2. Instale a vareta (C, Figura 4). **Não gire ou aperte.**
3. Remova a vareta e verifique o nível do óleo. O nível de óleo correto está na parte superior do indicador de cheio (D, Figura 4) na vareta.
4. Se o nível estiver baixo, adicione óleo lentamente dentro do bocal de abastecimento de óleo do motor (B, Figura 4). Encha até o ponto de transbordamento.
5. Recoloque e aperte a vareta (C, Figura 4).

Vareta estendida, se houver

1. Remova a vareta (A, Figura 5) e passe um pano limpo.
2. Instale a vareta e aperte-a (A, Figura 5).
3. Remova a vareta e verifique o nível do óleo. O nível de óleo correto está na parte superior do indicador de cheio (B, Figura 5) na vareta.

- Se o nível estiver baixo, adicione óleo lentamente dentro do bocal de abastecimento de óleo do motor (C, Figura 5). **Não deixe transbordar.** Depois de colocar óleo, aguarde um minuto e depois verifique o nível de óleo.
- Recoloque e aperte a vareta (A, Figura 5).

Sistema de proteção contra baixo nível de óleo (se equipado)

Alguns motores são equipados com um sensor para baixo nível de óleo. Se o nível do óleo está baixo, o sensor acenderá uma luz de advertência ou desligará o motor. Desligue o motor e siga essas etapas antes de ligá-lo novamente.

- Verifique se o motor está nivelado.
- Verifique o nível de óleo Consulte a seção **Verificar nível de óleo.**
- Se o nível estiver baixo, adicione a quantidade adequada de óleo. Ligue o motor e verifique se a luz de advertência (se equipado) está acesa.
- Se o nível do óleo não estiver baixo, não ligue o motor. Entre em contato com um Centro de Serviço Autorizado Briggs & Stratton para que o problema com o óleo seja corrigido.

Recomendações de combustível

O combustível deve atender a estes requisitos:

- Gasolina limpa, fresca e sem chumbo.
- Gasolina de octanagem 87 no mínimo/87 AKI (91 RON). Uso em alta altitude, consulte adiante.
- Gasolina com até 10% de etanol (álcool combustível) é aceitável.

AVISO IMPORTANTE Não use gasolinas não aprovadas, como E15 e E85. Não misture óleo à gasolina ou modifique o motor para funcionar com combustíveis alternativos. O uso de combustíveis não apropriados causará dano aos componentes do motor, que não estarão cobertos pela garantia.

Para proteger o sistema de combustível contra a formação de goma, adicione um estabilizador de combustível à gasolina. Consulte **Armazenagem.** Os combustíveis não são todos iguais. Se ocorrerem problemas de partida ou de desempenho, troque de fornecedor de combustível ou de marca. Este motor está certificado para funcionar com gasolina. O sistema de controle de emissão deste motor é EM (Engine Modifications - Modificações de Motor).

Alta altitude

A altitudes acima de 1524 metros (5.000 pés), é aceitável uma gasolina de no mínimo 85 octanas/85 AKI (89 RON)

Em motores carburados, é necessário um ajuste para alta altitude, para manter o desempenho. A operação sem esse ajuste causará redução no desempenho, aumento no consumo de combustível e emissões. Entre em contato com um Revendedor Autorizado de Serviço Briggs & Stratton para informações de ajuste de alta altitude. Não é recomendável que o motor opere a altitudes abaixo de 762 metros (2.500 pés) com ajuste para alta altitude.

Para motores com Injeção eletrônica de combustível (EFI), o ajuste para alta altitude não é necessário.

Adicionar combustível

Consulte a Figura 6



O combustível e seus vapores são extremamente inflamáveis e explosivos.

O fogo ou uma explosão poderá provocar graves queimaduras ou morte.

Quando acrescentar combustível

- Desligue o motor e deixe-o esfriar pelo menos 2 minutos antes de retirar o tampão do tanque de combustível.
 - Encha o tanque de combustível em uma área externa ou bem ventilada.
 - Não encha demais o tanque de combustível. Para permitir a expansão do combustível, não encha acima da parte inferior do gargalo do tanque de combustível.
 - Mantenha a gasolina distante de fagulhas, chamas vivas, luzes piloto, calor ou outras fontes de ignição.
 - Verifique as linhas de combustível, tanque, tampa e encaixes frequentemente à procura de rachaduras ou vazamentos. Substitua, se necessário.
 - Se houver derrame de combustível, aguarde até que evapore antes de acionar o motor.
- Limpe a área do tampão do tanque de combustível para remover resíduos e sujeira. Remova a tampa do tanque de combustível.

- Abasteça o tanque de combustível (A, Figura 6) com combustível. Para permitir a expansão do combustível, não encha acima da parte inferior do gargalo do tanque de combustível (B).
- Instale novamente o tampão do tanque de combustível.

Dar partida e parar o motor

Consulte a Figura: 7, 8

Dar partida no motor



A rápida retração da corda da partida (contragolpe) puxará a mão e o braço em direção ao motor mais rapidamente do que você a poderia soltar.

Isto poderá resultar em ossos quebrados, fraturas, contusões ou entorses.

- Ao dar partida no motor, puxe a corda da partida lentamente até sentir resistência e, em seguida, puxe-a rapidamente para evitar o contragolpe.



O combustível e seus vapores são extremamente inflamáveis e explosivos.

O fogo ou uma explosão poderá provocar graves queimaduras ou morte.

Quando der partida no motor

- Certifique-se de que a vela de ignição, o silencioso, o tampão de combustível e o filtro de ar (caso montado) estejam em seus lugares e seguros.
- Não ligue o motor com a vela de ignição removida.
- Se o motor afogar, coloque o afogador (se equipado) na posição OPEN/RUN (aberto/funcionando), mova o acelerador (se equipado) para a posição FAST (rápido) e acione até ligar o motor.



PERIGO DE GÁS TÓXICO. O escapamento do motor contém monóxido de carbono, um gás venenoso capaz de matar em minutos. NÃO é possível enxergá-lo, cheirá-lo nem sentir-lhe o gosto. Mesmo se você não sentir o cheiro dos gases de escape, você ainda pode estar exposto ao gás monóxido de carbono. Se você começar a sentir-se enjoado, com tonturas ou fraqueza durante a utilização deste produto, desligue-o e respire ar fresco IMEDIATAMENTE. Consulte um médico. Você pode estar intoxicado por monóxido de carbono.

- Opere este produto APENAS em locais abertos longe de janelas, portas e aberturas para reduzir o risco do monóxido de carbono de acumular e, potencialmente, ser atraído para espaços ocupados.
- Instale alarmes de monóxido de carbono que funcionam à pilha ou conecte alarmes de monóxido de carbono com pilhas de reserva de acordo com as instruções do fabricante. Os alarmes de fumaça não conseguem detectar o gás monóxido de carbono.
- NÃO opere este produto dentro das casas, garagens, porões, espaços muito apertados, galpões ou outros espaços parcialmente fechados, mesmo se utilizar ventiladores ou abrir portas e janelas para ventilação. O monóxido de carbono pode se acumular rapidamente nesses espaços e pode permanecer por horas, mesmo após o desligamento do produto.
- SEMPRE coloque o produto a favor do vento e aponte o escape do motor para longe de espaços ocupados.

AVISO O motor foi enviado da Briggs & Stratton sem óleo. Antes de ligar o motor, certifique-se de adicionar óleo de acordo com as instruções deste manual. Se o motor for acionado sem óleo, ele será danificado permanentemente e não será coberto pela garantia.

Nota: O equipamento poderá ter controles remotos. Consulte o manual do equipamento para a localização e operação dos controles remotos.

- Verifique o óleo do motor. Consulte a seção **Verificar nível de óleo.**
- Certifique-se de que os controles de acionamento do equipamento, caso existam, estejam desconectados.
- Mova a válvula de fechamento de combustível (A, Figura 7) para a posição aberto.
- Mova o controle do acelerador (C, Figura 7), se houver, para a posição rápido. Opere o motor com a alavanca de controle de aceleração na posição rápido.
- Mova o controle do afogador (B, Figura 7) para a posição fechado.

Nota: Ao dar partida em um motor aquecido, normalmente não é necessário utilizar o afogador.

- Empurre a chave de parada (D, Figura 7), se houver, para a posição ligado.
- Partida retrátil, se houver:** Segure com firmeza a alavanca do cabo de ignição (E, Figura 7). Puxe a alça da corda de partida lentamente até sentir resistência e, em seguida, puxe-a rapidamente.



ADVERTÊNCIA

A rápida retração da corda da partida (contragolpe) puxará a mão e o braço em direção ao motor mais rapidamente do que você a poderia soltar. Isto poderá resultar em ossos quebrados, fraturas, contusões ou entorses. Ao dar partida no motor, puxe a corda da partida lentamente até sentir resistência e, em seguida, puxe-a rapidamente para evitar o contragolpe.

- Partida elétrica, se houver chave de segurança (F):** Pressione a chave de segurança (F, Figura 7). Momentaneamente pressione a chave de partida (G). Quando o motor ligar, solte a chave de partida.
- Partida elétrica, se houver chave de partida automotiva (H):** Gire o interruptor de ignição (H, Figura 8) para a posição partida. Quando o motor ligar, solte o interruptor de ignição.

AVISO Para prolongar a vida útil da ignição, use ciclos de partida curtos (máximo de cinco segundos). Aguarde um minuto entre os ciclos de partida.

- Enquanto o motor aquece, mova o controle do afogador (B, Figura 7) para a posição em funcionamento.

Nota: Se o motor não funcionar após tentativas repetidas, vá para **BRIGGSandSTRATTON.com** ou entre em contato com seu representante local ou ligue para **1-800-233-3723** (nos EUA).

Parar o motor



ADVERTÊNCIA



O combustível e seus vapores são extremamente inflamáveis e explosivos.

O fogo ou uma explosão poderá provocar graves queimaduras ou morte.

- Não afogue o carburador para parar o motor.
- Controle de acelerador, se houver:** Mova a alavanca de controle de aceleração (C, Figura 7) para a posição lento e, em seguida, para a posição parar.
Interruptor de parada, se houver: Mova o interruptor de parada (D, Figura 7) para a posição parar.
Chave de segurança, se houver: Retire a chave de segurança (F, Figura 7) e mantenha-a em um local seguro, fora do alcance de crianças.
Interruptor de parada, quando assim equipado: Gire o interruptor de ignição (H, Figura 8) para a posição desligado. Retire a chave e mantenha-a em um local seguro, fora do alcance de crianças.
 - Quando o motor parar, coloque a válvula de fechamento de combustível (A, Figura 7) na posição fechado.

Manutenção

AVISO Se o motor for inclinado durante a manutenção, o tanque de combustível, se estiver montado no motor, deverá ser esvaziado e o lado da vela deverá permanecer para cima. Se o tanque de combustível não estiver vazio e se o motor for inclinado em qualquer outra direção, poderá ser difícil ligar o motor devido à contaminação do filtro de ar e/ou da vela com óleo ou gasolina.



ADVERTÊNCIA

Se for necessário inclinar a unidade para fazer a manutenção, o tanque de combustível deve estar vazio, caso contrário poderá haver vazamento, o que resultará em incêndio ou explosão.

Recomendamos que você consulte um Centro Autorizado Briggs & Stratton para qualquer manutenção e serviço em motores e em suas peças.

AVISO Todos os componentes usados para construir esse motor devem permanecer no mesmo local operar corretamente.



ADVERTÊNCIA



A liberação não intencional de faísca poderá resultar em incêndio ou choque elétrico.

A partida não intencional poderá resultar em emaranhamento, amputação traumática ou laceração.

Risco de incêndio

Antes de realizar ajustes ou reparos:

- Desconecte o cabo da vela de ignição e mantenha-o afastado da vela de ignição.
- Desligue a bateria, no terminal negativo (apenas motores com partida elétrica).
- Use somente as ferramentas corretas.
- NÃO mexa nas molas, conexões ou outras peças para aumentar a velocidade do motor.
- Peças de reposição deverão ser do mesmo design e instaladas na mesma posição que as peças originais. Outras peças podem não ter o mesmo desempenho, danificar a unidade e resultar em ferimentos pessoais.
- Não golpeie o volante do motor com um martelo ou objeto sólido, pois poderá quebrar mais tarde durante o funcionamento.

Quando fizer teste de faíscas:

- Use um testador de vela de ignição aprovado.
- Não teste a existência de faíscas com a vela de ignição removida.

Serviço de controle de emissões

A manutenção, substituição e o reparo de dispositivos e sistemas de controle de emissão podem ser realizados por qualquer estabelecimento ou técnico de reparo de motores off-road (que não circulam em vias públicas). Entretanto, para obter serviço de controle de emissão "sem custos adicionais", o trabalho deve ser realizado por um centro autorizado da fábrica. Consulte as Declarações de controle de emissões

Cronograma de manutenção

Primeiras 5 horas
<ul style="list-style-type: none">Trocar óleo
A cada 8 horas ou diariamente
<ul style="list-style-type: none">Verificar o nível do óleo do motorLimpar a área em torno do silencioso e dos controlesLimpar grelha de admissão de ar
A cada 25 horas ou anualmente
<ul style="list-style-type: none">Limpar filtro de ar ¹Limpar o pré-purificador (se houver) ¹
A cada 50 horas ou anualmente
<ul style="list-style-type: none">Trocar o óleo do motorFazer manutenção do sistema de escapamento
A cada 100 horas
<ul style="list-style-type: none">Trocar o óleo do redutor (caso exista)
Anualmente
<ul style="list-style-type: none">Substituir a vela de igniçãoSubstituir o filtro de arSubstituir o pré-purificador (se houver)Substituir o filtro de combustível (se houver)Fazer manutenção do sistema de combustívelFazer manutenção do sistema de arrefecimento do motor ¹Verificar a folga da válvula ²

¹ Em locais de muita poeira ou quando partículas trazidas pelo ar estão presentes, limpe com maior frequência.

² Não é necessário a menos que sejam observados problemas no desempenho do motor.

Carburador e ajuste de rotação do motor

Jamais faça ajustes no carburador ou na velocidade do motor. O carburador foi ajustado na fábrica para operar de forma eficiente na maioria das condições. Não adultere o motor com mola de regulagem, articulação ou outras peças para alterar a velocidade. Se forem necessários ajustes, entre em contato com um Centro Autorizado Briggs & Stratton para a revisão.

AVISO O fabricante do equipamento especifica a velocidade máxima do motor enquanto instalado no equipamento. **Não exceda** essa velocidade. Se você não tiver certeza sobre a velocidade máxima do equipamento ou a velocidade do motor ajustada de fábrica, entre em contato com um Centro Autorizado Briggs & Stratton para obter assistência. Para uma operação segura e adequada do equipamento, a velocidade do motor deve ser ajustada apenas por um técnico qualificado.

Ajustar a vela de ignição

Consulte a Figura 9

Verifique a folga (A, Figura 9) com um calibrador de fio (B). Se necessário, reajuste a folga. Instale e aperte a vela de ignição com o torque recomendado. Para obter o ajuste ou o torque, consulte a seção **Especificações**.

Nota: *Em algumas áreas, a legislação local exige a utilização de uma vela de ignição com resistência interna (resistor) para suprimir os sinais de ignição. Se este motor for originalmente equipado com uma vela de ignição resistiva, use o mesmo tipo para substituição.

Manutenção do sistema de escapamento



ADVERTÊNCIA

O funcionamento dos motores produz calor. As peças do motor, especialmente o abafador, tornam-se extremamente quentes.

Poderão ocorrer graves queimaduras térmicas com o contato.

Os resíduos combustíveis, tais como folhas, grama, galhos, etc. poderão incendiar-se.

- Espere o abafador, o cilindro do motor e as aletas esfriarem antes de tocar.
- Remova resíduos acumulados da área do silencioso e do cilindro.
- É uma violação da Seção 4442 do Código de Recursos da Califórnia, utilizar ou operar o motor em solo não-cultivado, coberto por mata a menos que o sistema de exaustão possua um retentor de faíscas, como definido na Seção 4442, mantido em perfeitas condições de utilização. Outros Estados ou jurisdições federais podem estar sujeitos a legislações semelhantes. Contate o fabricante de equipamento original, varejista ou concessionário para obter um protetor de faísca projetado para o sistema de escapamento instalado neste motor.

Remova resíduos acumulados da área do silencioso e do cilindro. Inspeccione o silenciador em busca de rachaduras, corrosão ou outros danos. Remova o protetor de faísca, se equipado, e inspeccione-o para ver se há danos ou entupimento por carbonização. Se algum dano for encontrado, instale as peças de substituição antes da utilização.



ADVERTÊNCIA

Peças de reposição deverão ser do mesmo design e instaladas na mesma posição que as peças originais. Outras peças podem não ter o mesmo desempenho, danificar a unidade e resultar em ferimentos pessoais.

Trocar o óleo do motor

Consulte a Figura: 10, 11, 12

Óleo usado é um produto descartável de risco e deve ser disposto adequadamente. Não descarte junto com o lixo doméstico. Verifique se há um local para reciclagem/descarte seguro junto às autoridades locais, centro de serviço ou revendedor.

Remoção de óleo

1. Com o motor desligado, mas ainda quente, desconecte o cabo das velas (D, Figura 10) e mantenha-o afastado da vela de ignição (E).
2. Remova o bujão de drenagem de óleo (F, Figura 11). Drene o óleo para um recipiente aprovado.

Nota: Qualquer um dos bujões de drenagem de óleo (G, Figura 11) pode ser instalado no motor.

3. Após a drenagem de todo o óleo, recoloque e aperte o bujão de drenagem de óleo (F, Figura 11).

Adição de óleo

- Verifique se o motor está nivelado.
- Limpe a área de abastecimento de óleo de qualquer resíduo.
- Consulte a seção **Especificações** para obter informações sobre a capacidade de óleo.

Tampão de abastecimento de óleo, se houver

1. Remova o tampão de abastecimento de óleo (H, Figura 11).
2. Despeje o óleo lentamente no bocal de enchimento de óleo do motor (C, Figura 11). Encha até o ponto de transbordamento.
3. Instale e aperte o tampão de abastecimento de óleo (H, Figura 11).
4. Conecte o cabo da vela de ignição (D, Figura 10) na vela de ignição (E).

Vareta curta, se houver

1. Remova a vareta (A, Figura 11) e passe um pano limpo.
2. Despeje o óleo lentamente no bocal de enchimento de óleo do motor (C, Figura 11). Encha até o ponto de transbordamento.
3. Instale a vareta (A, Figura 11). **Não gire ou aperte.** Remova e verifique o nível do óleo. O nível de óleo correto está na parte superior do indicador de cheio (B) na vareta.
4. Recoloque e aperte a vareta (A, Figura 11).
5. Conecte o cabo da vela de ignição (D, Figura 10) na vela de ignição (E).

Vareta estendida, se houver

1. Remova a vareta (A, Figura 12) e passe um pano limpo.
2. Despeje o óleo lentamente no bocal de enchimento de óleo do motor (C, Figura 12). **Não deixe transbordar.** Depois de colocar óleo, aguarde 1 (um) minuto e depois verifique novamente o nível de óleo.
3. Instale a vareta e aperte-a (A, Figura 12).
4. Remova e verifique o nível do óleo. O nível de óleo correto está na parte superior do indicador de cheio (B, Figura 12) na vareta.
5. Recoloque e aperte a vareta (A, Figura 12).
6. Conecte o cabo da vela de ignição (D, Figura 10) na vela de ignição (E).

Troque o óleo do redutor

Consulte a Figura: 13, 14

Redutor 6:1 (Figura 13)

Caso seu motor esteja equipado com uma unidade do redutor 6:1, realize a manutenção conforme as instruções seguir:

1. Remova o bujão de abastecimento de óleo (A, Figura 13) e o bujão de nível de óleo (B).
2. Remova o bujão de drenagem (C, Figura 13) e drene o óleo para um recipiente adequado.
3. Reinstale e aperte o bujão de drenagem de óleo (C, Figura 13).
4. Para reabastecer, despeje lentamente lubrificante de motor (consulte a seção **Especificações**) no bocal de abastecimento de óleo (D, Figura 13). Continue a derramar até que o óleo transborde do bocal de nível de óleo (E).
5. Reinstale e aperte o bujão de nível de óleo (B, Figura 13).
6. Reinstale e aperte o bujão de abastecimento de óleo (A, Figura 13).

Nota: O bujão de abastecimento (A, Figura 13) tem um orifício de ventilação (F) e deve ser instalado na parte superior da cobertura da caixa de engrenagens, conforme mostrado.

Redutor 2:1 (Figura 14)

A unidade do redutor 2:1 (G, Figura 14) não necessita de troca de óleo.

Manutenção do filtro de ar

Consulte a Figura: 15, 16, 17



ADVERTÊNCIA

O combustível e seus vapores são extremamente inflamáveis e explosivos.

O fogo ou uma explosão poderá provocar graves queimaduras ou morte.

- Nunca dê partida ou movimento o motor com o conjunto do purificador de ar (caso montado) ou o filtro de ar (caso montado) removidos.

AVISO Não use ar comprimido ou solventes para limpar o filtro. O ar comprimido pode danificar o filtro e os solventes dissolverão o filtro.

Consulte o **Cronograma de manutenção** para conhecer as exigências de manutenção.

Diversos modelos utilizam um filtro plano. Alguns modelos também são equipados com um pré-purificador que pode ser lavado e reutilizado. Compare as ilustrações deste manual com o tipo instalado em seu motor e faça a manutenção de acordo com as instruções a seguir.

Filtro de ar plano

1. Solte o(s) fixador(es) (A, Figura 15, 16).
2. Retire a tampa (B, Figura 15, 16).
3. Remova o pré-purificador (C, Figura 15, 16), se houver, e o filtro (D).
4. Para soltar os resíduos, bata levemente o filtro (D, Figura 15, 16) em uma superfície rígida. Se o filtro estiver excessivamente sujo, substitua-o por um novo.
5. Lave o pré-purificador (C, Figura 15, 16), se houver, com detergente líquido e água. Deixe o pré-purificador secar por completo naturalmente. **Não** coloque óleo no pré-purificador.
6. Monte o pré-purificador seco (C, Figura 15, 16), se houver, no filtro (D) com a borda (G) do pré-purificador na parte inferior dos plissados do filtro.
7. Instale o filtro (D, Figura 15, 16).
8. Nos modelos equipados com o filtro de ar mostrado na Figura 15, instale as linguetas da tampa (E) nos encaixes (F).
9. Instale a tampa (B, Figura 15, 16) e prenda com o(s) fixador(es) (A).

Filtro de ar plano

1. Solte o(s) fixador(es) (A, Figura 17).
2. Retire a tampa (B, Figura 17).
3. Remova o pré-purificador (C, Figura 17), se houver, e o filtro (D).
4. Para soltar os resíduos, bata levemente o filtro (D, Figura 17) em uma superfície rígida. Se o filtro estiver excessivamente sujo, substitua-o por um novo.
5. Remova o pré-purificador (C, Figura 17), se houver, do filtro (D).
6. Lave o pré-purificador (C, Figura 17), se houver, com detergente líquido e água. Deixe o pré-purificador secar por completo naturalmente. **Não** coloque óleo no pré-purificador.
7. Monte o pré-purificador seco (C, Figura 17), se houver, no filtro (D).
8. Instale o filtro (D, Figura 17) e o pré-purificador (C), se houver, na base (E) e sobre a haste (F). Certifique-se de que o filtro esteja encaixado com segurança na base.
9. Instale a tampa do filtro de ar (B, Figura 17) e prenda com o(s) fixador(es) (A). Certifique-se de que o(s) fixador(es) esteja(m) bem preso(s).

Manutenção do sistema de combustível

Consulte a Figura: 18, 19



ADVERTÊNCIA

O combustível e seus vapores são extremamente inflamáveis e explosivos.

O fogo ou uma explosão poderá provocar graves queimaduras ou morte.

- Mantenha a gasolina distante de fagulhas, chamas vivas, luzes piloto, calor ou outras fontes de ignição.
- Verifique as linhas de combustível, tanque, tampa e encaixes frequentemente à procura de rachaduras ou vazamentos. Substitua, se necessário.
- Antes de limpar ou recolocar o filtro de combustível, drene o tanque de combustível ou feche a válvula de fechamento de combustível.
- Se houver derrame de combustível, aguarde até que evapore antes de acionar o motor.

- As peças de reposição deverão ser iguais e instaladas na mesma posição que as peças originais.

Filtro de combustível, quando assim equipado

1. Antes de limpar ou recolocar o filtro de combustível (A, Figura 18), drene o tanque de combustível ou feche a válvula de fechamento de combustível. Caso contrário, o combustível pode vaziar e causar um incêndio ou explosão.
2. Use pinças para apertar as linguetas (B, Figura 18) nos grampos (C), depois deslize os grampos do filtro de combustível (A). Gire e puxe a tubulação de combustível (D) para fora do filtro.
3. Verifique a tubulação de combustível (D, Figura 18) para observar se há rachaduras ou vazamentos. Substitua, se necessário.
4. Substitua o filtro de combustível (A, Figura 18) por um filtro de reposição original.
5. Prenda a tubulação de combustível (D, Figura 18) com os grampos (C) conforme é mostrado.

Filtro de combustível, quando assim equipado

1. Remova a tampa do tanque de combustível (A, Figura 19).
2. Remova a tampa do filtro de combustível (A, Figura 19).
3. Se o filtro de combustível estiver sujo, limpe ou substitua-o. Caso seja necessária a substituição do filtro de detritos, certifique-se de que seja utilizado um filtro de detritos original.

Sistema de arrefecimento do motor



ADVERTÊNCIA

O funcionamento dos motores produz calor. As peças do motor, especialmente o abafador, tornam-se extremamente quentes.

Poderão ocorrer graves queimaduras térmicas com o contato.

Os resíduos combustíveis, tais como folhas, grama, galhos, etc. poderão incendiar-se.

- Espere o abafador, o cilindro do motor e as aletas esfriarem antes de tocar.
- Remova resíduos acumulados da área do silencioso e do cilindro.

AVISO Não use água para limpar o motor. A água pode contaminar o sistema de combustível. Utilize uma escova ou pano seco para limpar o motor.

Este é um motor com refrigeração a ar. Sujeira ou poeira podem restringir o fluxo de ar e fazer com que o motor fique superaquecido, resultando em redução no desempenho e menor vida útil do motor.

1. Use uma escova ou pano seco para remover os resíduos da área de admissão de ar.
2. Mantenha as ligações, as molas e os controles limpos.
3. Mantenha a área em torno e atrás do silencioso livre de resíduos de combustível.
4. Certifique-se de que as aletas do resfriador de óleo estejam livres de sujeira e resíduos.

Depois de um período de tempo, pode haver acúmulo de resíduos nas aletas de resfriamento do cilindro e fazer com que o motor fique superaquecido. Esse resíduo não pode ser removido sem uma desmontagem parcial do motor. Solicite que um Centro Autorizado da Briggs & Stratton inspecione e limpe o sistema de refrigeração de ar conforme recomendado no **Gráfico de Manutenção**.

Armazenamento



ADVERTÊNCIA

O combustível e seus vapores são extremamente inflamáveis e explosivos.

Fogo ou explosão podem causar queimaduras graves ou morte.

Quando armazenar combustível ou equipamento com combustível no tanque

- Guarde o motor longe de fomalhas, fogões, aquecedores de água ou outros aparelhos com chama piloto, ou outras fontes de ignição, pois estas podem inflamar os vapores de combustível.

Sistema de combustível

Consultar a figura: 20

Armazene o motor nivelado (posição normal de operação). Encha o tanque de combustível (A, Figura 20) com combustível. Para permitir a expansão do combustível, não encha acima do bocal do tanque de combustível (B).

O combustível pode estragar quando armazenado por mais de 30 dias. O combustível estragado provoca a formação de depósitos de ácido e goma no sistema de combustível ou nas partes essenciais do carburador. Para manter o combustível em boas condições, use a **Fórmula avançada de tratamento e estabilizador de combustível da Briggs & Stratton**, disponível onde as peças genuínas de serviços da Briggs & Stratton são vendidas.

Não há necessidade de drenar a gasolina do motor se um estabilizador de combustível for adicionado de acordo com as instruções. Deixe o motor funcionar por dois (2) minutos para circular o estabilizador em todo o sistema de combustível antes do armazenamento.

Se a gasolina no motor não for tratada com um estabilizador de combustível, a mesma deverá ser escoada dentro de um recipiente aprovado. Ligue o motor até parar por falta de combustível. O uso de um estabilizador de combustível no reservatório de armazenamento é recomendado para manter o frescor.

Óleo do motor

Troque o óleo com o motor ainda quente. Consulte a seção **Trocar o óleo do motor**.

Solução de Problemas

Para obter ajuda, entre em contato com o vendedor local ou visite o **BRIGGSandSTRATTON.com** ou ligue para o **1-800-233-3723** (nos EUA).

Especificações

Modelo: 120000	
Cilindradas	12.48 ci (205 cc)
Diâmetro	2.688 in (65,28 mm)
Curso	2.200 in (55,88 mm)
Capacidade de óleo	18 - 20 oz (,54 - ,59 L)
Tipo de óleo do redutor	80W-90
Capacidade do óleo do redutor	4 oz (0,12 L)
Intervalo da vela de ignição	.030 in (,76 mm)
Torque da vela de ignição	180 lb-in (20 Nm)
Folga de ar da armadura	.010 - .014 in (,25 - ,36 mm)
Tolerância da válvula de entrada	.004 - .006 in (,10 - ,15 mm)
Tolerância da válvula de exaustão	.009 - .011 in (,23 - ,28 mm)

Modelo: 150000	
Cilindradas	15.24 ci (250 cc)
Diâmetro	2.970 in (75,44 mm)
Curso	2.200 in (55,88 mm)
Capacidade de óleo	18 - 20 oz (,54 - ,59 L)
Tipo de óleo do redutor	80W-90
Capacidade do óleo do redutor	4 oz (0,12 L)
Intervalo da vela de ignição	.030 in (,76 mm)
Torque da vela de ignição	180 lb-in (20 Nm)
Folga de ar da armadura	.010 - .014 in (,25 - ,36 mm)
Tolerância da válvula de entrada	.004 - .006 in (,10 - ,15 mm)
Tolerância da válvula de exaustão	.009 - .011 in (,23 - ,28 mm)

Modelo: 200000	
Cilindradas	15.63 ci (305 cc)
Diâmetro	3.120 in (79,24 mm)
Curso	2.438 in (61,93 mm)
Capacidade de óleo	26 - 28 oz (,77 - ,83 L)
Tipo de óleo do redutor	SAE 30
Capacidade do óleo do redutor	12 oz (,35 L)
Intervalo da vela de ignição	.030 in (,76 mm)

Modelo: 200000	
Torque da vela de ignição	180 lb-in (20 Nm)
Folga de ar da armadura	.008 - .012 in (,20 - ,30 mm)
Tolerância da válvula de entrada	.004 - .006 in (,10 - ,15 mm)
Tolerância da válvula de exaustão	.004 - .006 in (,10 - ,15 mm)

Modelo: 210000	
Cilindradas	20.85 ci (342 cc)
Diâmetro	3.300 in (83,81 mm)
Curso	2.438 in (61,93 mm)
Capacidade de óleo	26 - 28 oz (,77 - ,83 L)
Tipo de óleo do redutor	SAE 30
Capacidade do óleo do redutor	12 oz (,35 L)
Intervalo da vela de ignição	.030 in (,76 mm)
Torque da vela de ignição	180 lb-in (20 Nm)
Folga de ar da armadura	.008 - .012 in (,20 - ,30 mm)
Tolerância da válvula de entrada	.004 - .006 in (,10 - ,15 mm)
Tolerância da válvula de exaustão	.004 - .006 in (,10 - ,15 mm)

* A potência do motor reduzirá 3,5% a cada 300 metros (1.000 pés) acima do nível do mar e 1% a cada 5,6 °C (10 °F) acima de uma temperatura de 25 °C (77 °F). O motor funcionará satisfatoriamente em um ângulo de até 15°. Consulte o manual do operador do equipamento a fim de obter os limites permitidos para o funcionamento seguro em declive.

Peças de revisão - Modelo: 120000, 150000, 200000, 210000

Peça de serviço	Número da peça
Filtro de ar plano	491588, 5043
Pré-purificador do filtro de ar plano	493537, 5064
Filtro de ar oval (Modelos 120000, 150000)	697029, 5059
Pré-purificador do filtro de ar oval (Modelos 120000, 150000)	273356
Filtro de ar oval (Modelos 200000, 210000)	695302
Pré-purificador do filtro de ar oval (Modelos 200000, 210000)	695303
Filtro de combustível	694485
Fórmula avançada de tratamento e estabilizador de combustível	100117, 100120
Vela de ignição resistiva	491055
Vela de ignição de platina de longa duração	5066
Chave de vela de ignição	89838, 5023
Analizador de faíscas	19368

Recomendamos que você consulte um Centro Autorizado Briggs & Stratton para qualquer manutenção e serviço em motores e em suas peças.

Classificações de Potência: A classificação de potência bruta para modelos individuais de motores à gasolina é rotulada de acordo com o código J1940 (Small Engine Power & Torque Rating Procedure) da SAE (Society of Automotive Engineers), e classificada conforme a SAE J1995. Os valores de torque são derivados a 2600 RPM para os motores indicados com "rpm" no rótulo, e em 3060 RPM para todos os outros; os valores de cavalos vapor são derivados a 3600 RPM. As curvas de potência bruta podem ser visualizadas em www.BRIGGSandSTRATTON.COM. Os valores de potência nominal são obtidos com os sistemas de exaustão e de filtragem de ar instalados, enquanto que os valores de potência bruta são coletados sem que estes acessórios estejam instalados. A potência bruta real do motor será maior do que a potência nominal, e é afetada, entre outras coisas, pelas condições do ambiente operacional e variações que existem entre um motor e outro. Devido à grande variedade de produtos que utilizam motores, um motor a gasolina pode não desenvolver a potência bruta especificada quando instalado em determinados tipos de equipamentos. Esta diferença se deve a vários fatores, incluindo, mas não se limitando a acessórios (filtro de ar, escapamento, carga, arrefecimento, carburador, bomba de combustível, etc.), limitações da aplicação, condições do ambiente operacional (temperatura, umidade, altitude), e variações que existem entre um motor e outro. Devido às limitações de fabricação e capacidade, a Briggs & Stratton pode substituir este motor por outro de potência maior.

Garantia

Garantia do motor Briggs & Stratton

Válida a partir de janeiro de 2017

Garantia limitada

A Briggs & Stratton garante que, durante o período de garantia especificado abaixo, será feita a reparação ou substituição gratuita de qualquer peça que esteja com defeito no material ou em virtude do processo de fabrico ou ambos. As despesas de transporte do produto enviado para reparos ou substituição nos termos desta garantia serão de responsabilidade do comprador. Esta garantia é válida de acordo com os prazos e condições estipulados abaixo. Para o serviço de garantia, localize o Centro de Serviço Autorizado mais próximo usando nosso mapa de localização de revendedores em BRIGGSandSTRATTON.COM. O comprador deve entrar em contato com o Centro de Serviço Autorizado e, em seguida, disponibilizar o produto para o mesmo para inspeção e testes.

Não há nenhuma outra garantia expressa. As garantias implícitas, inclusive as de comercialização e adequação a um fim específico, estão limitadas ao período de garantia estabelecido abaixo, ou até o limite permitido por lei. A responsabilidade por danos incidentais ou consequenciais está excluída na extensão permitida por lei. Alguns países ou estados não permitem limitações do tempo de duração de garantias implícitas, e outros países ou estados não permitem a exclusão ou limitação de danos consequenciais ou incidentais, portanto a limitação e exclusão acima podem não se aplicar ao consumidor. Esta garantia dá direitos legais específicos e o consumidor pode também ter outros direitos que variam de país para país ou de estado para estado ⁴.

Termos de garantia padrão 1, 2, 3

Marca/nome do produto	Uso residencial	Uso comercial
Vanguard™; Série comercial	36 meses	36 meses
Motores equipados com corpo de cilindro fundido Dura-Bore™	24 meses	12 meses
Todos os outros motores	24 meses	3 meses

¹Esses são nossos de garantia padrão, mas ocasionalmente pode haver cobertura de garantia adicional que não foi determinada no momento da publicação. Para obter uma listagem dos termos de garantia atuais de seu equipamento, acesse BRIGGSandSTRATTON.COM ou entre em contato com o Centro de Serviço Autorizado Briggs & Stratton.

² Não há garantia para motores em equipamentos usados como energia principal no lugar de um utilitário ou em geradores usados para uso comercial. Os motores usados em competições automobilísticas ou pistas comerciais ou de aluguel não têm garantia.

³ Vanguard instalado em geradores auxiliares: Garantia de 24 meses para uso residencial e sem garantia para uso comercial. Vanguard instalado em veículos utilitários: Garantia de 24 meses para uso residencial e 24 meses para uso comercial. Série comercial com data de fabricação antes de julho de 2017, 24 meses de uso residencial, 24 meses de uso comercial.

⁴ Na Austrália, os nossos produtos vêm com garantias que não podem ser excluídas nos termos da Lei do Consumidor da Austrália. Você tem direito a substituição ou reembolso devido a falha grave e a compensação por qualquer outra perda ou dano razoavelmente previsível. Você tem também o direito à reparação ou substituição dos produtos se estes não apresentarem qualidade aceitável, e se a falha não for uma falha grave. Para manutenção na garantia, encontre o Centro de Serviço Autorizado em nosso mapa localizador de revendedores em BRIGGSandSTRATTON.COM, ou pelo telefone 1300 274 447, ou por e-mail para salesenquires@briggsandstratton.com.au, Briggs & Stratton Austrália Pty Ltd, 1 Moorebank Avenue, NSW, Austrália, 2170.

O prazo de garantia começa na data da compra original feita pelo primeiro consumidor residencial ou comercial. "Uso residencial" significa uso pessoal residencial por um consumidor de varejo. "Uso comercial" significa todos os outros usos, inclusive o uso para fins comerciais, de geração de renda ou aluguel. Uma vez tendo sido usado comercialmente, o motor será posteriormente considerado de uso comercial para os propósitos desta garantia.

Guarde o recibo de prova de compra. Se você não apresentar o comprovante com a data de compra original ao solicitar o serviço de garantia, a data de fabricação do produto será usada para calcular o prazo de garantia. O registro do produto não é necessário para obter o serviço de garantia dos produtos Briggs & Stratton.

Sobre a garantia

Esta garantia cobre somente material e/ou mão de obra defeituosos relacionados com o motor, e não a substituição ou reembolso do equipamento em que o motor possa estar montado. Manutenção de rotina, regulagens, ajustes ou desgaste normal não são cobertos pela garantia. Da mesma forma, a garantia não se aplica caso o motor tenha sido alterado ou modificado ou caso o número de série do motor tenha sido adulterado ou removido. Esta garantia não cobre danos ao motor ou problemas de desempenho causados por:

1. Uso de peças que não sejam originais Briggs & Stratton;
2. Operação do motor com óleo lubrificante insuficiente, contaminado ou com um grau incorreto;
3. Uso de combustível contaminado ou envelhecido, gasolina formulada com etanol superior a 10% ou pelo uso de combustíveis alternativos, como petróleo liquefeito ou gás natural em motores não originalmente projetados/fabricados pela Briggs & Stratton para funcionar com tais combustíveis;
4. Penetração de impurezas no motor decorrente da manutenção ou remontagem inadequada do purificador de ar;
5. Choque de um objeto com uma lâmina cortante de uma máquina rotativa para cortar grama, adaptadores de lâmina, impulsores ou outros dispositivos conectados ao virabrequim frouxos ou instalados inadequadamente ou o aperto excessivo da correia em V;
6. Componentes associados ou de conjuntos, tais como embreagens, transmissões, controles do equipamento, etc., que não sejam fornecidos pela Briggs & Stratton;
7. Superaquecimento devido a restos de relva, impurezas e resíduos, ou ninho de roedores que obstruem ou entopem as aletas de arrefecimento ou área do volante, ou devido à utilização do motor sem ventilação suficiente;
8. Vibração excessiva devido à sobrevelocidade, montagem frouxa do motor, lâminas cortantes ou impulsores frouxos ou desbalanceados, ou componentes do equipamento inadequadamente acoplados ao virabrequim;
9. Uso indevido, falta de manutenção de rotina, transporte, manuseio ou armazenamento do equipamento, ou instalação inadequada do motor.

O serviço de garantia está disponível apenas por meio dos Centros de Serviço Autorizados Briggs & Stratton. Localize o Centro de Serviço Autorizado mais próximo, no mapa de localização em BRIGGSandSTRATTON.COM ou ligue para 1-800-233-3723 (nos EUA).

80004537 (Rev.C)

Hakimili ya © Briggs & Stratton Corporation, Milwaukee, WI, Marekani. Haki zote zimehifadhi.

Mwongozo huu una maelezo ya usalama kukufahamisha juu ya madhara na hatari zinazohusiana na injini na jinsi ya kuyazuia. Pia una maelekezo kwa matumizi bora na utunzaji wa injini. Kwa sababu Shirika la Briggs & Stratton haijui hususan injini hii itaendesha kifaa kipi, ni muhimu kuwa usome na uelewe maelekezo haya na mifano ya kifaa. **Hifadhi maelekezo haya asili kwa marejeleo ya siku zijazo.**

Kumbuka: Vielelezo na mifano kwenye mwongozo huu vimetolewa kwa marejeleo tu na vinaweza kutofautiana na modeli yako maalum. Wasiliana na mtoa huduma wako iwapo una maswali.

Kwa ubadilishaji wa sehemu au usaidizi wa kiufundi, rekodi hapa chini modeli, aina, na nambari za msimbo za injini pamoja na tarehe ya ununuzi. Nambari hizi zinapatikana kwenye injini yako (tazama sehemu ya **Vipengele na Udhhibiti**).


Tarehe ya Ununuzi	
Modeli ya Injini - Aina - Kupunguza	
Nambari Tambulishi ya Injini	

Tafuta mwambaa upau wa 2D ulio kwenye baadhi ya injini. Inapotazamwa kwa kifaa kinachoweza 2d, msimbo ulileta wavuti wetu ambapo unaweza kufikai maelezo ya auni kwa bidhaa hizi. Viwango vya data vinatekelezwa. Baadhi ya nchi huenda zisiwe na maelezo ya auni ya mtandaoni.





Usalama wa Opareta

Ishara ya Tahadhari ya Usalama na Maneno ya Ishara

Alama ya tahadhari ya usalama  inatumiwa kutambua taarifa salama kuhusu hatari zinazoweza kusababisha jeraha la kibinafsi. Neno la ishara (HATARI, ONYO au TAHADHARI) linatumika pamoja na alama ya tahadhari ili kuonyesha uwezekano wa jeraha kuwa kubwa. Mbali na hayo, alama ya hatari inaweza kutumika kuwakilisha aina ya hatari.







 **HATARI** inaonyesha hatari ambayo isipoepukwa, **inaweza kusababisha kifo au jeraha kubwa.**











 **HATARI** inaonyesha hatari ambayo isipoepukwa, **inaweza kusababisha kifo au jeraha baya.**

 **HATARI** inaonyesha hatari ambayo isipoepukwa, **inaweza kusababisha kifo au jeraha dogo au wastani.**

ILANI inaonyesha hali ambayo **inaweza kusababisha uharibifu wa bidhaa.**

Ishara na Maana ya Madhara

Ishara	Maana	Ishara	Maana
	Maelezo ya usalama kuhusu madhara ambayo yanaweza kutokea katika majeraha ya kibinafsi.		Soma na uelewe Mwongozo wa Operator's kabla ya kuendesha na kushughulikia kitengo.
	Madhara ya moto		Madhara ya mlipuko
	Madhara ya mshtuko		Madhara ya mafushi ya sumu

Ishara	Maana	Ishara	Maana
	Madhara ya maeneo moto		Madhara ya kelele - Ulinzi wa masikio unapendekezwa kwa matumizi ya muda mrefu.
	Madhara ya kifaa kilichofutwa - Vaa vilinda macho.		Madhara ya mlipuko
	Madhara ya jamidi		Madhara kurudi nyuma kwa haraka
	Madhara ya ukataji wa viungo - sehemu zinazosonga		Madhara ya Kemikali
	Madhara ya majimaji yaliyo moto		Kupiga kutu

Ujumbe wa Usalama



Onyo

Vijenzi fulani kwenye bidhaa hii na vikorokoro vyake vinavyohusiana vina kemikali inayojulikana kusababisha saratani katika Jimbo la California, ulemavu wa kuzaliwa au madhara mengine ya uzalishaji. Nawa mikono baada ya kushughulikia.



Onyo

Eneo la injini la kutolea moshi kutoka kwenye bidhaa hii lina kemikali inajulikana kusababisha saratani katika Jimbo la California, ulemavu wa kuzaliwa, au madhara mengine ya uzalishaji.



Onyo

Injini za Briggs & Stratton hazijaundwa kwa kutumiwa na nguvu za umeme: vijigari vya kufurahia; vijigari vya kuendesha; vya watoto burudani, au magari ya barabara ya aina yote (ATVs); pikipiki; gari la kuendesha juu ya maji bidhaa za ndege; au magari yaliyotumiwa katika matukio ya mashindano yasiyowekewa vikwazo na Briggs & Stratton. Kwa maelezo kuhusu bidhaa za mashindano ya uendeshaji magari, tazama www.briggsracing.com. Kwa matumizi kwa mashirika na ATV za upande kwa upande, tafadhali wasiliana na Kituo cha Utekelezaji Injini cha Briggs & Stratton, 1-866-927-3349. Utekelezaji mbaya wa injini unaweza kusababisha majeraha mabaya au kifo.



Onyo



Mafuta na mvuke wake unaweza kuwaka moto haraka sana na kulipuka.

Moto au mlipuko unaweza kusababisha majeraha mabaya ya moto au kifo.

Wakati Unaongeza Fueli

- Zima injini na uwache injini ipoe kwa angalau dakika 2 kabla ya kuondoa kifuniko cha mafuta.
- Jaza tangi la fueli nje au katika eneo linaruhusu hewa kuingia vizuri.
- Usijaze tangi la fueli kupita kiasi. Ili uruhusu uvukizi wa fueli, usijaze hadi juu ya chini ya shingo ya tangi la mafuta.
- Weka mafuta mbali na cheche, moto ulio wazi, taa za gesi, joto, na vyanzo vingine vya moto.
- Angalia tundu, tangi, kifuniko na kurekebisha mara kwa mara kwa nyufa na uvujaji. Badiiisha kama itahitajika.
- Mafuta yakimwagika, subiri mpaka pale ambapo yatayeyuka kabla ya kuwasha injini.

Wakati wa Kuwasha Injini

- Hakikisha kwamba plagi ya spaki, mafla, kifuniko cha mafuta, na kisafishaji hewa (iwapo kipo) vimefungwa mahali vinapofaa.
- Usiwashe injini wakati kiziba cheche kimeondolewa.
- Ikiwa injini itafurika, weka choki (ikiwa ipo) katika upande wa FUNGUA / ENDESHA, sogeza kifaa cha kudhibiti mmiminiko wa mafuta (ikiwa kipo) upande wa HARAKA na ushtue hadi injini iwake.

Wakati Unapoendesha Kifaa

- Usiunamisha injini au kifaa katika pembe inayosababisha fueli kumwagika.
- Usiruhusu hewa kuingia kwenye kabureta ili kusimamisha injini.
- Usiwashe au kuendesha injini kamwe wakati uunganishaji wa kisafisha hewa (iwapo kipo) au kichuja hewa (iwapo kipo) kimeondolewa.

Wakati Unapobadilisha Mafuta

- Ukifyonza mafuta kutoka kwenye bomba la oili la juu, lazima tangi la mafuta liwe tupu au mafuta yanaweza kuvuja nje na kusababisha moto au mlipuko.

Wakati Unapoinamisha Kitengo kwa ajili ya Udumishaji

- Wakati unapotekeleza udumishaji unaohitaji kitengo kuinamishwa, tangi la fueli, iwapo limewekwa kwenye injini, lazima liwe tupu au fueli inaweza kumwagika na kusababisha moto au mlipuko.

Wakati wa Kusafirisha Kifaa

- Safirisha wakati tangi la fueli liko TUPU au na vali ya kuzima fueli katika hali ILIYOFUNGWA.

Wakati wa Kuhifadhi Mafuta Au Kifaa Kilicho na Mafuta Kwenye Tangi

- Hifadhi mbali na tanuu, stovu, hita za kuchemshia maji, au vitu vingine ambavyo vina taa za moto au vyanzo vya mwako kwa sababu vinaweza kuwasha mivuke ya mafuta.



Onyo

Kuwasha injini huunda cheche.

Cheche zinaweza kuwasha gesi zilizo karibu zilizo na uwezo wa kuwaka.

Mlipuko na moto unaweza kusababishwa.

- Iwapo kuna gesi asili ya LP iliyomwagika katika eneo, usiwashe injini.
- Usitumie majimaji yaliyoshinikizwa ya kuwasha kwa sababu mvuke una uwezo wa kuwaka.



Onyo

MADHARA YA GESI YENYE SUMU. Eksozi ya injini ina kaboni monoksidi, gesi ya sumu ambayo inaweza kukuua wewe kwa dakika kadhaa. HUWEZI kuiona, kuinusa au kuionja. Hata kama huwezi kunusa mafusho yanayotolewa, unaweza kufikia gesi ya kaboni monoksidi. Iwapo utaanza kuhisi kuwa mgonjwa, kizunguzungu, au mchovu wakati unatumia bidhaa hii, enda kwenye eneo lenye hewa safi MARA MOJA. Mwone daktari. Unaweza kupata sumu ya kaboni monoksidi.

- Tumia bidhaa hii NJE PEKEE mbali na madirisha, milango na matundu ili kupunguza hatari ya gesi ya kaboni monoksidi kukusanyika na uwezekano wa kuwa inasambazwa kuelekea maeneo ya nje.
- Sakinisha ving'ora vya kutambua uwepo wa monoksidi ya kaboni vinavyoendesha na betri pamoja na chelezo za betri kulingana na maagizo ya mtengenezaji. Ving'ora vya moshi haviwezi kutambua gesi ya monoksidi ya kaboni.
- USIENDESHEE bidhaa hii ndani ya nyumba, gereji, vyumba vya chini ya ardhi, ubati, vibanda, au majengo mengine yaliyobanwa hata kama unatumia viyoyozi ama kufungua milango na madirisha kwa hewa. Monoksidi ya kaboni inaweza kukusanyika kwa haraka katika maeneo haya na inaweza kukwama kwa saa, hata baada ya bidhaa hii kuzimwa.
- Weka kifaa hiki upande ambao upepo unatoka WAKATI WOTE na ulenge ekzosi mbali na maeneo yenye watu.



Onyo

Uvutaji nyuma wa haraka wa kamba ya kiazishi (kuvuta nyuma kwa haraka) kutavuta mkono kuelekea kwenye injini haraka kuliko unavyoweza kuachilia.

Mifupa iliyovunjika, kuvunjika kwa mifupa mikuuu, michubuko, mishtuko inaweza kutokea.

- Wakati wa kuwasha injini, kuzuia kurudi nyuma kwa haraka, vuta kamba ya kiazishi polepole hadi uhisi upinzani na kisha uvute haraka ili kuzuia kuvuta nyuma kwa haraka.
- Ondoa vifaa cha nje/ mizigo yote ya injini kabla ya kuwasha injini.
- Vijenzi vya kifaa kilichounganishwa moja kwa moja kama vile, lakini visivyo tu, bapa, mashine ya kusogeza majimaji, makapi, proketi, n.k., lazima viambatishwe salama.



Onyo

Sehemu zinazozunguka zinaweza kugusana au kunasa mikono, miguu, nywele, au nguo, au vikorokoro.

Ukataji wa viungo wenye kiwewe au majeraha makali ya ukataji ngozi yanaweza kutokea.

- Endesha kifaa na vilinzi vikiwa karibu.
- Weka mikono na miguu mbali na sehemu zinazozunguka.
- Funga nywele ndefu na uondoe mapambo.
- Usivae nguo zisizokubana vizuri, kamba za nguo zinazomwayamwaya au vipengee vinavyoweza kushikwa.



Onyo

Kuendesha injini huzalisha joto. Sehemu za injini, hususan mafla, huwa moto zaidi.

Unaweza kuchomeka vibaya unapokigusa.

Uchafu unaoweza kuwaka, kama vile majani, nyasi, brashi n.k. unaweza kushika moto.

- Ruhusu mafla, silinda ya injini na mapezi yapoe kabla ya kugusa.
- Ondoa uchafu uliokusanyika kutoka kwenye eneo la mafla na eneo la silinda.
- Ni ukiukaji wa Msimbo wa Rasilimali wa Umma wa California, Sehemu ya 4442, kutumia au kuendesha injini katika eneo linalozungukwa na msitu, lililozungukwa na brashi, au lililo na nyasi isipokuwa mfumo wa eneo la kutolea moshi una kishika cheche, kama ilivyofafanuliwa kwenye Sehemu ya 4442, iliyodumishwa kwenye mpangilio wenye ufanisi wa kufanya kazi. Mamlaka mengine ya Majimbo au shirikisho yanaweza kuwa na sheria sawa. Wasiliana na mtengenezaji wa kifaa asili, muuzaji wa rejareja, au mtoa huduma ili kupata kishika cheche kilichobuniwa kwa mfumo wa eneo la kutolea moshi uliosakinishwa kwenye injini hii.



Onyo

Cheche zinazotokea kwa bahati mbaya zinaweza kusababisha moto au mrusho wa stima.

Uwashaji usiotarajiwa unaweza kusababisha kunaswa, kukatwa kwa viungo kwa kiwewe, au majeraha makali ya ukataji wa ngozi.

Madhara ya moto

Kabla ya kutekeleza marekebisho au ukarabati:

- Tenganisha waya ya kizibo cha cheche na iweke mbali na kizibo cha cheche.
- Tenganisha betri katika kichwa cha hasi (injini tu zenye kiazishi cha umeme).
- Tumia zana sahihi tu.
- Usichezee springi ya kidhibiti, viungo, au viungo vingine ili kuongeza kasi ya injini.
- Viungo vya kubadilisha lazima viwe vya aina ileile na viingizwe katika sehemu ileile kama viungo vya asili. Sehemu nyingine huenda zisitekeleze vilevile, zinaweza kuharibu kitengo, na inaweza kusababisha majeraha.
- Usigongegonge gurudumu la kuongeza kasi ya injini kwa nyundo au kifaa kigumu kwa sababu gurudumu la kuongeza kasi ya injini linaweza kuvunjika wakati wa kuendesha.

Wakati wa kujaribu cheche:

- Tumia kijaribio cha kuziba cheche kilichoidhinishwa.
- Usikague cheche na kiziba cheche imeondolewa.










Vipengele na Vidhibiti

Vidhibiti vya Mtambo

Linganisha mfano (Kielelezo: 1, 2, 3) na injini yako ili kujifahamisha na eneo la vipengele na vidhibiti mbalimbali.

- A. Nambari Tambulishi za Injini **Modeli - Aina - Msimbo**
- B. Kuzuba Cheche
- C. Kisafishaji Hewa (bapa au duaradufu)
- D. Kidhibiti cha Choki
- E. Kizima Fueli (iwapo kipo)
- F. Kishikilio cha Kamba ya Kianzishi
- G. Grili ya Kuingiza Hewa
- H. Kidhibiti cha Transfoma ndongo (iwapo kipo)
- I. Swichi ya Kusimamisha (iwapo ipo)
- J. Tangi na Kifuniko cha Fueli
- K. Kifaa kipana cha kuangalia mafuta (iwapo kipo)
- L. Kifaa Kifupi cha Kuangalia Mafuta, (iwapo kipo)
- M. Kuziba ya Kumwaga Mafuta
- N. Mjazo wa Hewa
- O. Mafla, Kilinda Mafla (iwapo vipo), Kishika Cheche (iwapo kipo)
- P. Ufunguo wa Usalama (modeli za kuanza za umeme)
- Q. Swichi ya KUWASHA/KUZIMA (modeli za kuanza za umeme)
- R. Kitengo cha Kupunguza Gia (iwapo kipo)
- S. Swichi ya Ufunguo (modeli za kuanza za umeme)

Ishara za Kudhibiti Injini na Maana

Ishara	Maana	Ishara	Maana
	Kasi ya injini - HARAKA		Kasi ya injini - POLEPOLE
	Kasi ya injini - SIMAMA		WASHA - ZIMA
	Kuwasha injini - Choki IMEFUNGWA		Kuwasha injini - Choki IMEFUNGULIWA
	Kifuniko cha Mafuta Kizima fueli - KILICHOFUNGULIWA		Kizima fueli - KILICHOFUNGWA
	Kiwango cha mafuta - Upeo Usijaze kupita kiasi		

Oparesheni

Mapendekezo ya Mafuta

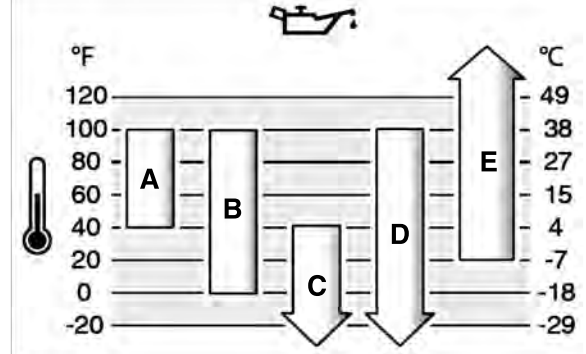
Kiwango cha Mafuta: Tazama *Vipimo Maalum* sehemu.

Notisi

Injini hii ililetwa kutoka Briggs & Stratton bila mafuta. Watengenezaji au wauzaji vifaa huenda waliongeza mafuta kwenye injini. Kabla ya kuwasha injini kwa mara ya kwanza, hakikisha umekagua kiwango cha mafuta na umeongeza mafuta kulingana na maagizo kwenye mwongozo huu. Iwapo utawasha injini bila mafuta, itaharibika hadi kushindwa kukarabatiwa na hutafidiwa chini ya udhamini huu.

Tunapendekeza matumizi ya mafuta Yaliyoidhinishwa na Udhamini wa Briggs & Stratton kwa utendakazi bora. Mafuta mengine yaliyo na sabuni ya kiwango cha juu yanakubalika iwapo yamebainishwa kwa huduma ya SF, SG, SH, SJ au ya juu zaidi. Usitumie vitegemezi maalum.

Hali joto ya nje inatambua mnato sahihi wa mafuta wa injini. Tumia chati kuteua mnato bora wa masafa ya halijoto ya nje inayotarajiwa. Injini katika vifaa vingi vya nje huendeshwa vizuri na mafuta ya Kisinthetiki ya 5W-30. Kwa vifaa vinavyoendeshwa katika halijoto, mafuta ya Kisinthetiki ya Vanguard™ 15W-50 hutoa ulinzi bora zaidi.



A	SAE 30 - Chini ya 40 °F (4 °C) matumizi ya SAE 30 yatasababisha ugumu wa kuwaka.
B	10W-30 - Juu ya 80 °F (27 °C) matumizi ya 10W-30 yanaweza kusababisha uongezekaji wa matumizi ya mafuta. Angalia kiwango cha mafuta mara kwa mara.
C	5W-30
D	Sinthetiki 5W-30
E	Vanguard™ Synthetic 15W-50

Angalia Kiwango cha Mafuta

Tazama Kielelezo: 4, 5

Kabla ya kuongeza au kuangalia mafuta

- Hakikisha injini iko kwenye kiwango.
- Safisha eneo la kujaza mafuta kutoka na uchafu wowote.

Kifuniko cha Fueli, iwapo kipo

1. Ondoa kifuniko cha fueli (A, Kielelezo 4).
2. Iwapo kiwango cha mafuta kiko chini, kwa utaratibu ongeza mafuta kwenye mjazo wa mafuta wa mtambo (B, Kielelezo 4). Jaza hadi sehemu ya kufurika.
3. Sakinisha upya na ukaze kifuniko cha fueli (A, Kielelezo 4).

Kifaa Kifupi cha Kuangalia Mafuta, iwapo kipo

1. Ondoa kifaa cha kuangalia kiwango cha mafuta (C, Kielelezo 4) na upanguse kwa kitambaa safi.
2. Sakinisha kifaa cha kupima mafuta (C, Kielelezo 4). **Usigeuze au kukaza.**
3. Ondoa kifaa cha kupima mafuta na ukague kiwango cha mafuta. Kiwango sahihi cha mafuta kiko juu ya kiashiria kilichojaa (D, Kielelezo 4) kwenye kifaa cha kuangalia kiwango cha mafuta.
4. Iwapo kiwango cha mafuta kiko chini, kwa utaratibu ongeza mafuta kwenye mjazo wa mafuta wa mtambo (B, Kielelezo 4). Jaza hadi sehemu ya kufurika.
5. Sakinisha upya na ukaze kifaa cha kuangalia kiwango cha mafuta (C, Kielelezo 4).

Kifaa kipana cha kuangalia mafuta, iwapo kipo

1. Ondoa kifaa cha kuangalia mafuta (A, Kielelezo 5) na ukipanguse kwa kitambaa safi.
2. Sakinisha na ukaze kifaa cha kuangalia kiwango cha mafuta (A, Kielelezo 5).
3. Ondoa kifaa cha kuangalia kiwango cha mafuta na uangalie kiwango cha mafuta. Kiwango sahihi cha mafuta kiko juu ya kiashiria kilichojaa kwenye kifaa cha kuangalia kiwango cha mafuta (B, Kielelezo 5) kwenye kifaa cha kuangalia kiwango cha mafuta.

- Iwapo kiwango cha mafuta kiko chini, kwa utaratibu ongeza mafuta kwenye eneo la mafuta (C, Kielelezo 5). **Usijaze kupita kiasi.** Baada ya kuongeza mafuta, subiri dakika moja na kisha angalia kiwango cha mafuta.
- Sakinisha upya na ukaze kifaa cha kuangalia kiwango cha mafuta (A, Kielelezo 5).

Mfumo wa Ulinzi wa Chini wa Mafuta (iwapo upo)

Baadhi ya modeli zina kihisio cha mafuta ya chini. Iwapo mafuta yako chini, kihisio aidha kitaamilisha mwangaza wa tahadhari au kusimamisha injini. Simamisha injini na ufuate hatua hizi kabla ya kuwasha tena injini.

- Hakikisha injini iko katika sehemu laini.
- Angalia kiwango cha mafuta. Tazama sehemu **Kuangalia Kiwango** cha Mafuta.
- Iwapo kiwango cha mafuta kiko chini, ongeza kiwango sahihi cha mafuta. Washa injini na uhakikishe mwangaza wa tahadhari (iwapo upo) haujamilishwa.
- Iwapo kiwango cha mafuta hakiko chini, usiwashe injini. Wasiliana na Mtoa Huduma wa Briggs & Stratton Aliyehinishwa ili kurekebisha matatizo ya mafuta.

Mapendekezo ya Fueli

Lazima fueli ikithi mahitaji haya:

- Petroli safi, freshi, yasiyo na isiyo na lead.
- Kiwango cha chini cha 87 okteni/87 AKI (91 RON). Matumizi ya mwinuko wa juu, tazama hapa chini.
- Petroli iliyo na hadi ethanol 10% (gasohol) inakubalika.

Notisi Usitumie petroli isiyoidhinishwa, kama vile E15 na E85. Usichanaganye mafuta kwenye petroli au kurekebisha injini ili kuendesha fueli mbadala. Usitumie fueli isiyoidhinishwa itaharibu vipengele vya injini, ambavyo havitashughulikiwa chini ya udhamini.

Ili kulinda mfumo wa fueli kutokana na utengenezaji wa gundi, changanya kiimarishaji cha fueli kwenye fueli. Tazama Hifadhi . Fueli zote sio sawa. Iwapo matatizo ya kuanza au utendakazi yataokea, badilisha mtoaji fueli au badilisha chapa. Injini hii imeidhinishwa kuendesha kutumia petroli. Mfumo wa kudhibiti uchafuzi wa injini hii ni EM (Marekebisha wa Injini).

Mwinuko wa Juu

Katika mwinuko wa zaidi ya futi 5,000 (mita 1524), kiwango cha chini cha okteni 85 /85 AKI (89 RON) petroli inakubaliwa.

Kwa injini iliyo na kabureta, marekebisho ya mwinuko wa juu yanahitajika ili kudumisha utendakazi. Oparesheni bila marekebisho unaweza kusababisha kupunguka kwa utendakazi, matumizi ya fueli yalioongezeka, na uchafuzi ulioongezeka. Wasiliana na Mtoa Huduma wa Briggs & Stratton Aliyehinishwa kwa maelezo ya marekebisho ya mwinuko wa juu. Oparesheni wa injini katika mwinuko wa chini ya futi 2,500 (mita 762) na marekebisho ya mwinuko wa juu hayapendekezwi.

Kwa injini za Uinjizaji wa Fueli wa Kielektriki (EFI), hakuna marekebisho ya mwinuko wa juu yanahitajika.

Ongeza Mafuta

Tazama Kelelezo: 6



Onyo

Fueli na mvuke wako unawaka na kulipuka haraka sana.

Moto au mlipuko unaweza kusababisha kuchomeka vikali au kifo.

Wakati wa kuongeza fueli

- Zima injini na uruhusu injini kupoa angalau dakika 2 kabla ya kuondoa kifuniko cha fueli.
- Jaza tangi la fueli nje au katika eneo linaruhusu hewa kuingia vizuri.
- Usijaze tangi la fueli kupita kiasi. Ili kuruhusu upanukaji wa fueli, usijaze kupita chini ya shingo la tangi la fueli.
- Hifadhi fueli mbali na cheche, miale iliyo wazi, taa za mwongozo, joto na vyanzo vingine vya uwakaji.
- Angalia tundu, tangi, kifuniko na kurekebisha mara kwa mara kwa nyufa na uvujaji. Badilisha ikiwezekana.
- Iwapo fueli itamwagika, subiri hadi ivukize kabla ya kuwasha injini.

- Safisha kifuniko cha fueli kutokana na uchafu. Ondoa kifuniko cha fueli.
- Jaza tangi la fueli kwa fueli (A, Kielelezo 6). Ili kuruhusu upanuzi wa fueli, usijaze juu ya chini ya shingo la tangi la fueli (B).
- Sakinisha upya kifuniko cha fueli.

Washa na Uzime Injini

Tazama Kelelezo: 7, 8

Washa Injini



Onyo

Uvutaji nyuma wa haraka wa kamba ya kiazishi (kuvuta nyuma kwa haraka) kutavuta mkono kuelekea kwenye injini haraka kuliko unavyoweza kuachilia.

Mifupa ilivyovunjika, kuvunjika kwa mifupa mikuuu, michubuko, mishtuko inaweza kutokea.

- Wakati wa kuwasha injini, vuta kamba ya kiazishi polepole hadi uhisipi upinzani na kisha vuta haraka ili kuzuia kurudi nyuma kwa haraka.



Onyo

Fueli na mvuke wake unawaka na kulipuka hara sana.

Moto au mlipuko unaweza kusababisha kuchomeka vikali au kifo.

Wakati wa Kuwasha Injini

- Hakikisha kuziba cheche, mafla, kifuniko cha fueli na kisafishaji cha hewa (iwapo vipo) viko sawa na salama.
- Usiwashe injini wakati kuziba cheche kimeondolewa.
- Iwapo injini inamwaga mafuta, weka choki (iwapo ipo) kwenye eneo la FUNGUA/ENDESHA, sogeza transformo ndogo (iwapo ipo) kwenye eneo la HARAKA na uwashe injini hadi ianze kuenda.



Onyo

MADHARA YA GESI YENYE SUMU. Eneo la injini la kutolea moshi lina monoksidi kaboni, gesi yenye sumu ambayo inaweza kuuwa kwa dakika. **HUWEZI** kuiona, kuinusa au kuionja. Hata kama huwezi kunusa mafusho yanayotolewa, unaweza kufikia gesi ya monoksidi kaboni. Iwapo utaanza kuhisi, mgonjwa, kizunguzungu, au mchovu wakati unatumia bidhaa hii, izime na uende eneo lenye hewa safi **MARA MOJA. Mwone Daktari. Unaweza kuwa na sumu ya monoksidi kaboni.**

- Endesha bidhaa hii nje TU mbali na madirisha, milango na tundu za kuingiza hewa ili kupunguza hatari za gesi ya monoksidi kaboni kutokana na kukusanyika na kuweza kuelekea katika maeneo yaliyo na watu.
- Sakinisha ving'ora vya kutambua uwepo wa monoksidi kaboni vinavyoendesha na betri pamoja na chelezo za betri kulingana na maelekezo ya manufacturer's. Ving'ora vya moshi haviwezi kutambua gesi ya monoksidi kaboni.
- USIENDESHE bidhaa hii nyumbani, karakarani, sehemu ya chini ya majengo, maeneo ya kutembelea kwenye majengo, vivulini, au maeneo mengine yaliyofunikwa nusu hata kama unatumia feni au milango na madirisha yaliyofunguka kuruhusu hewa kuingia. Monoksidi kaboni inaweza kukusanyika kwa haraka katika maeneo haya na inaweza kukwama kwa saa, hata baada ya bidhaa hii kuzimwa.
- KILA MARA weka bidhaa hii katika eneo lenye uepeo na uelekeze eneo la kutolea moshi la injini mbali na maeneo yaliyo na watu.

Notisi Injini hii ililetwa kutoka Briggs & Stratton bila mafuta. Kabla uweze kuwasha injini, hakikisha umeongeza mafuta kulingana na maelekezo kwenye mwongozo huu. Iwapo utawasha injini bila mafuta, itaharibika hadi kushindwa kukarabiwa na hutafidiwa chini ya udhamini huu.

Kumbuka: Kifaa kinaweza kuwa na vidhibiti mbali. Tazama mwongozo wa kifaa kwa utambuzi na uendeshaji wa vidhibiti mbali.

- Angalia mafuta ya injini. Tazama sehemu **Kuangalia Kiwango** cha Mafuta.
- Hakikisha vidhibiti vya kiendeshaaji cha kifaa, iwapo vipo, vimetenganishwa.
- Sogeza kizima mafuta (A, Kielelezo 7) kwenye eneo la lililo wazi.
- Sogeza kidhibiti cha transformo ndogo (C, Kielelezo 7), iwapo kipo, katika eneo la haraka. Endesha injini ikiwa katika eneo la haraka.
- Sogeza kidhibiti cha choki (B, Kielelezo 7), kwenye eneo la choki.

Kumbuka: Kwa kawaida choki haihitajiki wakati wa kuwasha injini iliyochemka.

- Sukuma swichi ya kusimamisha (D, Kielelezo 7) iwapo ipo, katika eneo la washa.
- Vingirisha Anza, iwapo ipo:** Kwa uthabiti shikilia kishikilio cha kamba ya kiazishi (E, Kielelezo 7). Vuta kamba ya kiazishi polepole hadi uhisipi upinzani, kisha vuta haraka.



Onyo

Uvutaji nyuma wa haraka wa kamba ya kiazishi (kuvuta nyuma kwa haraka) kutavuta mkono kuelekea kwenye injini haraka kuliko unavyoweza kuachilia. Mifupa ilivyovunjika, kuvunjika kwa mifupa mikuuu, michubuko, mishtuko inaweza kutokea. Wakati wa kuwasha injini, vuta kamba ya kiazishi polepole hadi uhihi upinzani na kisha vuta haraka ili kuzuia kurudi nyuma kwa haraka.

- Kuanza kwa Umeme, iwapo kupo kwa Ufunguo wa Usalama (F):** Sukuma katika ufunguo wa usalama (F, Kielelezo 7). Sukuma swichi ya kuanza kwa muda mfupi (G). Mtambo ukianza, achilia swichi ya kuanza.
- Kuanza kwa Umeme, iwapo kuna Swichi ya Ufunguo wa Otomatiki (F):** Geuza ufunguo wa swichi (H, Kielelezo 8) kwenye eneo la kuanza. Mtambo ukianza, achilia swichi ya ufunguo.

Notisi Ili kurefusha maisha ya kiazishi, tumia misururu mifupi ya kuanzisha (kiwango cha juu cha sekunde tano). Subiri dakika moja kati ya mizunguko inayoanza.

- Wakati injini inapochemka, sogeza kidhibiti cha choki (B, Kielelezo 7) kwenye eneo la kuendesha.

Kumbuka: Iwapo mtambo hautaanza baada ya majaribio ya kurudia, nenda kwenye **BRIGGSandSTRATTON.com** au wasiliana na mhudumu wako wa karibu au piga simu **1-800-233-3723** (Marekani).

Simamisha Injini



Onyo



Fueli na mvuke wake unawaka na kulipuka hara sana.

Moto au mlipuko unaweza kusababisha kuchomeka vikali au kifo.

- Usiruhusu hewa kuingia kwenye kabureta ili kusimamisha injini.
- Kidhibiti cha Transfoma ndogo, iwapo kipo:** Sogeza kidhibiti cha transfoma ndogo (C, Kielelezo 7) hadi polepole kisha kwenye eneo la kusimamisha.
Zima Swichi iwapo ipo: Sogeza swichi ya kusimamisha (D, Kielelezo 7) kwenye eneo la kusimamisha.
Ufunguo wa Usalama, iwapo upo: Ondoa ufunguo wa usalama (F, Kielelezo 7) na uweke katika sehemu salama kutokana na ufikiaji wa watoto.
Kibonye cha Swichi, iwapo kipo: Sogeza swichi ya ufunguo (H, Kielelezo 8) kwenye eneo la zima. Ondoa ufunguo na uhifadhi katika sehemu salama kutokana na ufikiaji wa watoto.
 - Baada ya mtambo kusimama, sogeza kizima fueli (A, Kielelezo 7) kwenye eneo lililofungwa.

Udumishaji

Notisi Iwapo injini imeinamishwa wakati wa udumishaji, tangi la fueli, iwapo liko kwenye injini, lazima liwe tupu na upande wa kuziba cheche lazima uwe juu. Iwapo tangi la fueli sio tupu na iwapo injini imeinamishwa katika mwelekeo mwingine, inaweza kuwa vigumu kuwaka kwa sababu ya mafuta au petroli kuchafua kuchuja hewa na/au kuziba cheche.



Onyo

Wakati unapoteketeza udumishaji unaohitaji kitengo kuinamishwa, tangi la fueli, iwapo limewekwa kwenye injini, lazima liwe tupu au fueli inaweza kumwagika nje na kusababisha moto au mlipuko.

Tunapendekeza kuwa umwone Mtoa Huduma yeyote wa Briggs & Stratton Aliyeidhinishwa kwa udumishaji na huduma zote za injini na sehemu za injini.

Notisi Vijenzi vyote vilivyotumiwa kujenga injini hii lazima visalie sawa kwa uendeshaji bora.



Onyo



Cheche zisizotarajiwa zinaweza kusababisha moto au mshtuko wa kielektriki.

Uwashaji usiotarajiwa unaweza kusababisha kunaswa, kukatwa kwa viungo kwa kiwewe, au majeraha makali ya ukataji wa ngozi.

Madhara ya moto

Kabla ya kutekeleza marekebisho au ukarabati:

- Tenganisha waya ya kuziba cheche na uhifadhi mbali na kuziba cheche.
- Tenganisha betri katika mwisho wa chanya (injini zilizo na kiwashaji wa kielektriki tu.)
- Tumia zana sahihi tu.
- Usihitilifiane na springi ya kithibiti, viunganishi au sehemu zingine ili kuongeza kasi ya injini.
- Sehemu za ubadilishaji lazima ziwe sawa na zilizosakinishwa katika eneo sawa kama sehemu asili. Sehemu zingine huenda zisitekeleze vilevile, zinaweza kuharibita kitengo, na inaweza kusababisha majeraha.
- Usigonge gurudumu la kuongeza kasi ya injini kwa nyundo au kifaa kigumu kwa sababu gurudumu la kuongeza kasi ya injini linaweza kuvunjika wakati wa kuendesha.

Wakati wa kujaribu cheche:

- Tumia kijaribio cha kuziba cheche kilichoidhinishwa.
- Usikague injini wakati kuziba cheche imeondolewa.

Huduma ya Udhhibiti wa Uchafuzi

Udumishaji, ubadilishaji, au ukarabati wa vifaa vya kudhibiti uchafuzi na mifumo inaweza kutekelezwa na mtu binafsi au uzinduaji wowote wa ukarabati wa injini ya nje ya barabarani. Hata hivyo, ili kupata huduma ya kudhibiti uchafuzi ya "" bila malipo, lazima kazi ifanywe na mtoa huduma aliyeidhinishwa na kiwanda. Tazama Taarifa ya Udhhibiti wa Uchafuzi.

Ratiba ya Udumishaji

Saa 5 za Kwanza
<ul style="list-style-type: none"> Badilisha mafuta
Kila Baada ya Saa 8 au Kila siku
<ul style="list-style-type: none"> Angalia kiwango cha mafuta ya injini Safisha maeneo yaliyo karibu na mafuta na vidhibiti Safisha grilli ya kuingiza hewa
Kila Baada ya Saa 25 au Kila mwaka
<ul style="list-style-type: none"> Safisha kichuja chewa ¹ Safisha kisafishaji cha mwanzo (iwapo kipo) ¹
Kila Baada ya Saa 50 au Kila mwaka
<ul style="list-style-type: none"> Badilisha mafuta ya injini Shughulikia mfumo wa eneo la injini la kutolea moshi
Kila baada ya Saa 100
<ul style="list-style-type: none"> Badilisha gia ya kupunguza mafuta (iwapo ipo)
Kila mwaka
<ul style="list-style-type: none"> Badilisha kuziba cheche Badilisha kichujio cha hewa Badilisha kisafishaji cha mwanzo (iwapo kipo) Badilisha kichujio cha mafuta (iwapo kipo) Shughulikia mfumo wa fueli Shughulikia mfumo wa kupoesha ¹ Angalia uondoaji wa vali ²

¹ Katika hali ya vumbi au uchafu unaosambazwa na hewa upo, safisha mara kwa mara.

² Haihitajiki isipokuwa matatizo ya utenda kazi wa injini yametambuliwa.

Kabureta na Kasi ya Injini

Kamwe usifanye marekebisha kwenye kabureta au kasi ya injini. Kabureta iliwekwa kwenye kiwanda kufanya kazi kwa ufanisi chini ya masharti mengi. Usihitilafiane na springi ya kidhibiti, uhusiano au sehemu nyingine ili kubadilisha kasi ya injini. Iwapo marekebisha yoyote yanahitajika wasiliana na Mtoa Huduma wa Briggs & Stratton Aliyeidhinishwa kwa huduma.

Notisi Mtengenezaji wa kifaa hubainisha kasi ya juu ya injini kama ilivyosakinishwa kwenye kifaa. **Usizidi** kasi hii. Iwapo huna uhakika kasi ya juu ya kifaa hiki ni ipi, au kasi ya injini imewekwa kwa kutoka kwenye kiwanda, wasiliana na Mtoa Huduma wa Briggs & Stratton Aliyeidhinishwa kwa usaidizi. Kwa oparesheni salama na sahihi ya kifaa, kasi ya injini inafaa kurekebishwa na mtaalam wa huduma aliyehitimu tu.

Shughulikia Kuziba Cheche

Tazama Kielelezo: 9

Angalia nafasi iliyo (A, Kielelezo 9) na kipimo (B). Iwapo ni muhimu, weka upya nafasi. Sakinisha na ukaze kuziba cheche katika toku iliyopendekezwa. Kwa uwekaji wa nafasi au toku, tazama Vipimo **sehemu**.

Kumbuka: Katika baadhi ya maeneo, sheria ya ndani huhitaji kutumia kuziba cheche ambayo haiptitishi nishati ili kupunga ishara za kuwaka. Iwapo injini hii ilikuwa na kuziba cheche ambayo haiptitishi nishati mwanzoni, tumia aina sawa kwa ubadilishaji.

Shughulikia Mfumo wa Eneo la kutolea moshi



Onyo

Injini inayoendesha inazalisha joto. Sehemu za injini, hususan mafla, huwa moto zaidi.

Kuchomeka vikali kunaweza kusababishwa unapogusana nazo.

Uchafu unaoweza kuwaka, kama vile majani, nyasi, brashi n.k. unaweza kushika moto.

- Ruhusu mafla, silinda na mapezi ya injini kupoa kabla ya kugusa.
- Ondoa uchafu uliokusanyika kutoka kwenye eneo la mafla na eneo la silinda.
- Ni ukiukaji wa Msimbo wa Rasilimali wa Umma wa California, Sehemu ya 4442, kutumia au kuendesha injini katika eneo linazungukwa na msitu, lililozungukwa na brashi, au lililo na nyasi isipokuwa mfumo wa eneo la kutolea moshi una kishika cheche, kama ilivyofafanuliwa kwenye Sehemu ya 4442, iliyodumishwa kwenye mpangilio wenye ufanisi wa kufanya kazi. Mamlaka mengine ya Majimbo au shirikisho yanaweza kuwa sheria sawa. Wasiliana na mtengenezaji wa kifaa asili, muuzaji wa rejareja, au mtoa huduma ili kupata kishika cheche kilichobuniwa kwa mfumo wa eneo la kutolea moshi uliosakinishwa kwenye injini hii.

Ondoa uchafu uliokusanyika kutoka kwenye mafla na eneo la silinda. Kagua mafla kwa nyufa, kutia kutu, au uharibifu mwingine. Ondoa kifaa cha kusonga au kishika cheche, iwapo kipo, na ukague kwa uharibifu au uzuiaji wa kaboni. Iwapo uharibifu utapatikana, sakinisha sehemu za ubadilishaji kabla ya kuendesha.



Onyo

Sehemu za ubadilishaji lazima ziwe sawa na zilizosakinishwa katika eneo sawa kama sehemu asili. Sehemu zingine huenda zisitekeleze vilevile, zinaweza kuharibu kitengo, na inaweza kusababisha majeraha.

Badilisha Mafuta ya Injini

Tazama Kelelezo: 10, 11, 12

Mafuta yaliyotumiwa ni bidhaa taka yenye madhara na lazima itupwe vizuri. Usitupe pamoja na taka ya nyumbani. Wasiliana na mamlaka yako ya ndani, kituo cha usaidizi au mtoa huduma kwa utupaji/kutumia upya salama kwa bidhaa.

Ondoa Mafuta

- Injini ikiwa bado ina joto, tunganisha waya ya kuziba cheche na uhifadhi mbali na kuziba cheche (E) (D, Figure 10).
- Ondoa kuziba ya kutoa mafuta (F, Kielelezo 11). Weka mafuta kwenye kontena iliyodhinishwa.

Kumbuka: Kuziba cheche yoyote ya kutoa mafuta inaweza kusakinishwa kwenye injini (G, Kielelezo 11).

- Baada ya mafuta kutolewa, sakinisha na ukaze kuziba ya kutoa mafuta (F, Kielelezo 11).

Ongeza Mafuta

- Hakikisha kuwa mtambo uko katika kiwango.
- Safisha eneo la kujaza mafuta kutokana na uchafu wowote.
- Tazama Vipimo **katika eneo** la kiwango cha mafuta.

Kifuniko cha Fueli, iwapo kipo

- Ondoa kifuniko cha fueli (H, Kielelezo 11).
- Polepole weka mafuta kwenye eneo la kuweka mafuta la mtambo (C, Kielelezo 11). Jaza hadi sehemu ya kufurika.
- Sakinisha na ukaze kifuniko cha fueli (H, Kielelezo 11).
- Unganisha waya wa kuziba cheche (D, Kielezo 10) kwenye kuziba cheche (E).

Kifaa Kifupi cha Kuangalia Mafuta, iwapo kipo

- Ondoa kifaa cha kuangalia kiwango cha mafuta (A, Kielelezo 11) na upanguse kwa kitambaa safi.
- Polepole weka mafuta kwenye eneo la kuweka mafuta la injini (C, Kielelezo 11). Jaza hadi sehemu ya kufurika.
- Sakinisha kifaa cha kupima mafuta (A, Kielelezo 11). **Usigeuze au kukaza.** Ondoa na uangalie kiwango cha mafuta. Kiwango sahihi cha mafuta kiko juu ya kiashiria kilichojaa (B) kwenye kifaa cha kuangalia kiwango cha mafuta.
- Sakinisha upya na ukaze kifaa cha kuangalia kiwango cha mafuta (A, Kielelezo 11).
- Unganisha waya ya kuziba cheche kwenye kuziba cheche (E) (D, Figure 10).

Kifaa kipana cha kuangalia mafuta, iwapo kipo

- Ondoa kifaa cha kuangalia mafuta (A, Kielelezo 12) na ukipanguse kwa kitambaa safi.
- Polepole weka mafuta kwenye eneo la kuweka mafuta la injini (C, Kielelezo 12). **Usijaze kupita kiasi.** Baada ya kuongeza mafuta, subiri dakika moja (1) na kisha angalia kiwango cha mafuta.
- Sakinisha na ukaze kifaa cha kuangalia kiwango cha mafuta (A, Kielelezo 12).
- Ondoa na uangalie kiwango cha mafuta. Kiwango sahihi cha mafuta kiko juu ya kiashiria kilichojaa kwenye kifaa cha kuangalia kiwango cha mafuta (B, Kielelezo 12) kwenye kifaa cha kuangalia kiwango cha mafuta.
- Sakinisha upya na ukaze kifaa cha kuangalia kiwango cha mafuta (A, Kielelezo 12).
- Unganisha waya ya kuziba cheche kwenye kuziba cheche (E) (D, Figure 10).

Badilisha Mafuta ya Kupunguza Gia

Tazama Kelelezo: 13, 14

Upunguzaji Gia wa 6:1 (Kielelezo 13)

Iwapo injini yako imewekwa kitengo cha upunguzaji gia wa 6:1, ihudumie kama ifuatavyo:

- Ondoa plagi ya kujaza mafuta (A, Kielelezo 13) na plagi ya kiwango cha mafuta (B).
- Ondoa plagi ya kukamua mafuta (C, Kielelezo 13) na ukamue mafuta kwenye kontena inayofaa.
- Sakinisha upya na ukaze kifaa cha kuangalia kiwango cha mafuta (A, Kielelezo 13).
- Ili kujaza upya, mwaga polepole mafuta ya kulainisha gia (tazama **sehemu ya Vipimo** kwenye shimo la kujaza mafuta (D, Kielelezo 13). Endelea kumwaga hadi mafuta yafurike kwenye shimo la kiwango cha mafuta (E).
- Sakinisha upya na ukaze kifaa cha kuangalia kiwango cha mafuta (A, Kielelezo 13).
- Sakinisha upya na ukaze kifaa cha kuangalia kiwango cha mafuta (A, Kielelezo 13).

Kumbuka: Plagi ya kujaza mafuta (A, Kielelezo 13) ina shimo la tundu (F) na lazima isakinishwe upande wa juu wa kifuniko gia kama ilivyonyeshwa.

Upunguzaji Gia wa 2:1 (Kielelezo 14)

Kitengo cha upunguzaji gia wa 2:1 (G, Kielelezo 14) hakihitaji kubadilishwa mafuta.

Shughulikia Kichuja Hewa

Tazama Kelelezo: 15, 16, 17



Onyo

Fueli na mvuke wake unawaka na kulipuka hara sana.

Moto au mlipuko unaweza kusababisha kuchomeka vikali au kifo.

- Kamwe usiwashie na kuendesha wakati uunganishaji wa kisafisha hewa (iwapo kipo) au kichuja hewa (iwapo kipo) kimeondolewa.

Notisi Usitumie hewa au majimaji yaliyoshinikizwa kusafisha kichujio. Hewa iliyoshinikizwa inaweza kuharibu kichujio na majimaji yatayeyusha kichujio.

Tazama Ratiba **ya Udumishaji** wa mahitaji ya huduma.

Modeli mbalimbali aidha zinatumia povu au kichujio cha karatasi. Baadhi ya modeli pia zinaweza kuwa na kisafishaji cha mwanzo cha hiari ambacho kinaweza kusafishwa na kutumiwa tena. Linganisha mifano kwenye mwongozo na aina iliyosakinishwa kwenye injini yako na ushughulikia kama ifuatavyo.

Kichujio cha Hewa cha Karatasi

1. Legeza bizimu (A, Kielelezo 15, 16).
2. Ondoa kifuniko (B, Kielelezo 15, 16).
3. Ondoa kichujio cha mwanzo (C, Kielelezo 15, 16), iwapo kipo, na kichujio (D).
4. Ili kulegeza uchafu, kwa utaratibu gonga kichujio (C, Kielelezo 15, 16) kwenye eneo gumu. Iwapo kichujio ni kichafu kupita kiasi, badilisha na kichujio kipya.
5. Osha kisafishaji cha mwanzo (C, Kielelezo 15, 16), iwapo kipo, kwenye sabuni oevu na maji. Ruhusu kisafishaji cha mwanzo kukauka kabisa. **Usiweke mafuta** kwenye kisafishaji cha mwanzo.
6. Kusanya kisafishaji cha mwanzo kilichokauka (C, Kielelezo 15, 16), iwapo kipo, kwenye kichujio (D) pamoja na ukingo (G) wa kisafishaji cha mwanzo chini ya vikunjo vya kichujio.
7. Sakinisha kichujio (D, Kielelezo 15, 16).
8. Kwenye modeli zilizo na kichujio cha hewa kilichoonyeshwa katika Kielelezo 15, sakinisha vichupo vya vifuniko (E) katika mashimo (F).
9. Sakinisha kifuniko (B, Kielelezo 15, 16) na ulinde kwa bizimu(s) (A).

Kichujio cha Hewa cha Karatasi

1. Legeza bizimu (A, Kielelezo 17).
2. Ondoa kifuniko (B, Kielelezo 17).
3. Ondoa kichujio cha mwanzo (C, Kielelezo 17), iwapo kipo, na kichujio (D).
4. Ili kulegeza uchafu, kwa utaratibu gonga kichujio (C, Kielelezo 17) katika eneo gumu. Iwapo kichujio ni kichafu kupita kiasi, badilisha na kichujio kipya.
5. Ondoa kichujio cha mwanzo (C, Kielelezo 17), iwapo kipo, kutoka kwenye kichujio (D).
6. Osha kisafishaji cha mwanzo (C, Kielelezo 17), iwapo kipo, kwenye sabuni oevu na maji. Ruhusu kisafishaji cha mwanzo kukauka kabisa. **Usiweke mafuta** kwenye kisafishaji cha mwanzo.
7. Kusanya kisafishaji cha mwanzo kilichokauka (C, Kielelezo 17), iwapo kipo, kwenye kichujio (D).
8. Sakinisha kichujio (D, Kielelezo 17) na kisafishaji cha mwanzo (C), iwapo kipo, katika sehemu ya chini (E) na kwenye kitufe (F). Hakikisha kichujio hutoshea kwa usalama katika sehemu ya chini.
9. Sakinisha kifuniko (B, Kielelezo 17) na ulinde kwa bizimu (A). Hakikisha bizimu imekazwa.

Shughulikia Mfumo wa Fueli

Tazama Kielelezo: 18, 19



Onyo

Fueli na mvuke wake unawaka na kulipuka haraka sana.

Moto au mlipuko unaweza kusababisha majeraha mabaya kuchomeka au kifo.

- Hifadhi fueli mbali na cheche, miale iliyo wazi, taa za mwongozo, heat na vyanzo vingine vya uwakaji.

- Angalia tundu, tangi, kifuniko na kurekebisha mara kwa mara kwa nyufa na uvujaji. Badilisha ikiwezekana.
- Kabla ya kusafisha ua kubadilisha kichujio cha fueli, ondoa fueli au fungua vali ya kufunga fueli.
- Iwapo fueli itamwagika, subiri hadi ivukize kabla ya kuwasha injini.
- Sehemu za ubadilishaji lazima ziwe sawa na zilizosakinishwa katika eneo sawa kama sehemu asili.

Kichujio cha Fueli, iwapo kipo

1. Kabla ya kusafisha au kubadilisha kichujio cha fueli (A, Kielelezo 18), ondoa mafuta kwenye tangi au fungua vali ya kifuniko cha fueli. Vinginevyo, fueli inaweza kuvuja na kusababisha moto au mlipuko.
2. Tumia koleo kufunika vichupo (B, Kielelezo 18) kwenye vibanio (C), kisha teleshesha vibanio kutoka kwenye kichujio cha fueli (A). Zungusha na uvute tundu za fueli (D) kutoka kwenye kichujio cha fueli.
3. Angalia tundu za fueli (D, Kielelezo 18) kwa nyufa na uvujaji. Badilisha ikiwezekana.
4. Badilisha kichujio cha fueli kwa kichujio asili cha kifaa cha ubadilishaji (A, Kielelezo 18).
5. Linda tundu za fueli kwa vibanio (C) kama ilivyoonyeshwa (D, Kielelezo 18).

Kichujio cha Fueli, iwapo kipo

1. Ondoa kifuniko cha fueli (A, Kielelezo 19).
2. Ondoa kichujio cha fueli (B, Kielelezo 19).
3. Iwapo kichujio cha fueli ni kichafu, safisha au kibadilisha. Iwapo utabadilisha kichujio cha fueli, hakikisha umetumia kichujio asili cha fueli cha ubadilishaji.

Shughulikia Mfumo wa Kupoesha



Onyo

Injini inayoendesha inazalisha joto. Sehemu za injini, hususan mafla, huwa moto zaidi.

Kuchomeka vikali kunaweza kusababisha unapogusana nazo.

Uchafu unaoweza kuwaka, kama vile majani, nyasi, brashi, n.k., unaweza kushika moto.

- Ruhusu mafla, silinda na mapezi ya injini kupoa kabla ya kugusa.
- Ondoa uchafu uliokusanyika kutoka kwenye eneo la mafla na eneo la silinda.

Notisi Usitumie maji kusafisha injini. Maji yanaweza kuchafua mfumo wa fueli. Tumia brashi au kitambaa kilichokauka kusafisha injini.

Hii ni injini inayopoeshwa na hewa. Uchafu unaweza kuzuia mtiririko wa hewa na kusababisha injini kuchemka kupita kiasi, na kusababisha utendakazi mbaya na kupunguza maisha ya injini.

1. Tumia brashi au kitambaa kilichokauka kuondoa uchafu kutoka kwenye grili ya kuingiza hewa.
2. Weka uhusiano, springi na vidhibiti safi.
3. Weka ene lililo karibu na nyuma ya mafla, iwapo ipo, huru kutokana na uchafu wowote unaoweza kuwaka.
4. Hakikisha mapezi ya kupoesha mafuta, iwapo yapo, yako huru kutokana na uchafu.

Baada ya kipindi cha muda, uchafu unaweza kukusanyika kwenye mapezi ya kupoesha silinda na kusababisha injini kuwa moto kushinda kiasi. Uchafu huu hauwezi kuondolewa bila kutokusanyika kwa kiasi fulani kwa injini. Ruhusu Mtoa Huduma wa Briggs & Stratton Aliyeidhinishwa kukagua na kusafisha mfumo wa kupoesha hewa kama ilivyopendekezwa kwenye Ratiba **ya Udumishaji**.

Hifadhi



Onyo

Mafla na mvuke wake unaweza kuwaka moto na kulipuka kwa haraka sana.

Moto au mlipuko unaweza kusababisha majeraha mabaya kuchomeka au kifo.

Wakati wa Kuhifadhi Mafla Au Kifaa Kilicho na Mafla Kwenye Tangi

- Hifadhi mbali na tanuu, stovu, hita za kuchemshia maji, au vitu vingine ambavyo vina taa za moto au vyanzo vya mwako kwa sababu vinaweza kuwasha moto kwenye mvuke wa mafuta.

Mfumo wa Mafuta

Tazama Kielelezo: 20

Hifadhi kiwango cha injini (mkao wa kawaida wa kuendesha). Jaza tangi la mafuta (A, Kielelezo 20) kwa mafuta. Ili kuruhusu uvukizi wa mafuta, usijaze kupita chini ya shingo ya tangi la mafuta (B).

Mafuta yanaweza kuharibika yakihifadhiwa kwa zaidi ya siku 30. Mafuta yaliyoharibika yanasababisha mabaki ya asidi na gundi kukusanyika katika mfumo wa mafuta au kwenye sehemu muhimu za kabureta. Ili kuhifadhi usafi wa mafuta, tumia **Briggs & Stratton Advanced Formula Fuel Treatment & Stabilizer**, inayopatikana mahali popote ambapo sehemu halisi za Briggs & Stratton zinazauza.

Hakuna haja ya kumwaga petroli kutoka kwenye injini ikiwa kiimarishaji mafuta kimeongezwa kulingana na maagizo. Endesha injini kwa dakika mbili (2) ili kueneza kiimarishaji kote kwenye mfumo wa mafuta kabla ya kuhifadhi.

Ikiwa petroli ilio kwenye injini haijatiwa kwa kiimarishaji mafuta, ni lazima imiminwe kwenye kontena iliyoidhinishwa. Endesha injini hadi isimame kutokana na ukosefu wa mafuta. Matumizi ya kiimarishaji mafuta kwenye kontena ya uhifadhi yanapendekezwa ili kudumisha usafi.

Mafuta ya Injini

Wakati injini bado ina joto, badilisha mafuta ya injini. Tazama sehemu **Kubadilisha Mafuta ya Injini**.

Utafutatuji

Kwa usaidizi, wasiliana na mhudumu wa karibu au nenda kwenye **BRIGGSandSTRATTON.com** au piga **1-800-233-3723** (Marekani).

Vipimo

Modeli: 120000	
Umbali	12.48 ci (205 cc)
Kuzalisha	2.688 in (65,28 mm)
Mpigo	2.200 in (55,88 mm)
Kiwango cha Mafuta	18 - 20 oz (.54 - .59 L)
Gia ya Kupunguza Aina ya Mafuta	80W-90
Gia ya Kupunguza Kiwango cha Mafuta	4 oz (0,12 L)
Nafasi ya Kuziba Cheche	.030 in (.76 mm)
Toku ya Kuziba Cheche	180 lb-in (20 Nm)
Nafasi ya Koili inayozunguka ya Hewa	.010 - .014 in (.25 - .36 mm)
Uingizaji wa Vali ya Kuingiza hewa	.004 - .006 in (.10 - .15 mm)
Uondoaji wa Vali ya Eneo la Kutolea moshi	.009 - .011 in (.23 - .28 mm)

Modeli: 150000	
Umbali	15.24 ci (250 cc)
Kuzalisha	2.970 in (75,44 mm)
Mpigo	2.200 in (55,88 mm)
Kiwango cha Mafuta	18 - 20 oz (.54 - .59 L)
Gia ya Kupunguza Aina ya Mafuta	80W-90
Gia ya Kupunguza Kiwango cha Mafuta	4 oz (0,12 L)
Nafasi ya Kuziba Cheche	.030 in (.76 mm)
Toku ya Kuziba Cheche	180 lb-in (20 Nm)
Nafasi ya Koili inayozunguka ya Hewa	.010 - .014 in (.25 - .36 mm)
Uingizaji wa Vali ya Kuingiza hewa	.004 - .006 in (.10 - .15 mm)
Uondoaji wa Vali ya Eneo la Kutolea moshi	.009 - .011 in (.23 - .28 mm)

Modeli: 200000	
Umbali	15.63 ci (305 cc)
Kuzalisha	3.120 in (79,24 mm)
Mpigo	2.438 in (61,93 mm)
Kiwango cha Mafuta	26 - 28 oz (.77 - .83 L)
Gia ya Kupunguza Aina ya Mafuta	SAE 30

Modeli: 200000	
Gia ya Kupunguza Kiwango cha Mafuta	12 oz (.35 L)
Nafasi ya Kuziba Cheche	.030 in (.76 mm)
Toku ya Kuziba Cheche	180 lb-in (20 Nm)
Nafasi ya Koili inayozunguka ya Hewa	.008 - .012 in (.20 - .30 mm)
Uingizaji wa Vali ya Kuingiza hewa	.004 - .006 in (.10 - .15 mm)
Uondoaji wa Vali ya Eneo la Kutolea moshi	.004 - .006 in (.10 - .15 mm)

Modeli: 210000	
Umbali	20.85 ci (342 cc)
Kuzalisha	3.300 in (83,81 mm)
Mpigo	2.438 in (61,93 mm)
Kiwango cha Mafuta	26 - 28 oz (.77 - .83 L)
Gia ya Kupunguza Aina ya Mafuta	SAE 30
Gia ya Kupunguza Kiwango cha Mafuta	12 oz (.35 L)
Nafasi ya Kuziba Cheche	.030 in (.76 mm)
Toku ya Kuziba Cheche	180 lb-in (20 Nm)
Nafasi ya Koili inayozunguka ya Hewa	.008 - .012 in (.20 - .30 mm)
Uingizaji wa Vali ya Kuingiza hewa	.004 - .006 in (.10 - .15 mm)
Uondoaji wa Vali ya Eneo la Kutolea moshi	.004 - .006 in (.10 - .15 mm)

Nguvu ya injini utapungua kwa 3.5% kwa kila futi 1,000 (mita 300) juu ya mwinuko wa bahari na 1% kwa kila 10° F (5.6° C) juu ya 77° F (25° C). Injini itaendesha kwa kuridhisha katika pembe ya hadi 15°. Rejelea mwongozo wa kifaa Operator's kwa viwango salama vinavyoruhusiwa kwenye mteremko.

Sehemu ya Huduma - Modeli: 120000, 150000, 200000, 210000	
Sehemu ya Huduma	Nambari ya Sehemu
Kichujio Bapa cha Hewa	491588, 5043
Kisafishaji cha mwanzo cha Kichujio Bapa cha Hewa	493537, 5064
Kichujio Duaradufu cha Hewa (Modeli 120000, 150000)	697029, 5059
Kisafishaji cha mwanzo cha Kichujio Duaradufu cha Hewa (Modeli 120000, 150000)	273356
Kichujio Duaradufu cha Hewa (Modeli 200000, 210000)	695302
Kisafishaji cha mwanzo cha Kichujio Duaradufu cha Hewa (Modeli 200000, 210000)	695303
Kichujio cha Fueli	694485
Fomula Iliyoboreshwa ya Kiimarishaji cha Matibabu ya Fueli &	100117, 100120
Kuziba Cheche ya Kifaa kisichopitisha nishati	491055
Kuziba Cheche ya Platinamu ya Maisha Marefu	5066
Kifaa kinachotumiwa kutega Kuziba Cheche	89838, 5023
Kijaribio cha Cheche	19368

Tunapendekeza kuwa umwone Mtoa Huduma yeyote wa Briggs & Stratton Aliyeidhinishwa kwa udumishaji na huduma zote za injini na sehemu za injini.

Ukadiriaji wa Nishati: Ukadiriaji wa pato la nishati kwa kila modeli ya injini ya petroli imewekwa alama kwa kuzingatia SAE (Jumuiya ya Wahandisi wa Magari) msimbo J1940 Nishati ya Injini Ndogo & Utaratibu wa Ukadiriaji wa Toku, na umekadiriwa kwa kuzingatia SAE J1995. Thamani ya toku inafikia 2600 RPM kwa injini hizi kwa "rpm" iliyowekwa kwenye lebo na 3060 RPM kwa vingine vote; thamani ya nishati ya chaja inafikia 3600 RPM. Vizingo vya mapato ya nishati vinaweza kutazamwa katika www.BRIGGSandSTRATTON.COM. Thamani halisi ya nishati inachukuliwa kwa eneo la injini la kutolea injini na kisafishaji wa injini iliyosakinishwa ambapo thamani ya mapato ya injini yanakusanywa bila viambatio hivi. Mapato halisi ya nishati ya injini yatakuwa juu kuliko nishati ya injini na yanaathiriwa na, miongoni mwa mambo mengine, hali iliyoko ya kuendesha na utofauti wa injini hadi nyingine. Kwa kuwa mpangilio mpana wa bidhaa ambayo injini imewekwa, injini ya petroli inaweza kuwa na mapato ya nishati iliyokadiriwa wakati inatumika katika kifaa fulani cha nishati. Tofauti hii inatokana na sababu mbalimbali zikijumuisha, lakini zisizokithi kwa, vijenzi mbalimbali vya injini (kisafishaji cha hewa, eneo la injini la kutolea moshi, pampu ya fueli n.k.), upungufu wa utekelezaji, hali zilizoko za kuendesha (hali joto, unyevunyevu, mwinuko), na utofauti wa injini hadi injini. Kutokana na upungufu wa utengenezaji na viwango, Briggs & Stratton inaweza kubadilisha injini na nishati iliyokadiriwa juu kwa injini hii.

Udhamini

Udhamini wa Injini ya Briggs & Stratton

Kuanzia Januari 2017

Udhamini Pungufu

Udhamini wa Briggs & Stratton ambao, wakati wa kipindi cha udhamini kilichobainishwa hapa chini, zitakarabati au kubadilisha, bila malipo, sehemu yoyote ambayo ina matatizo katika nyenzo au wafanyakazi au vyote viwili. Gharama za usafirishaji wa bidhaa zilizowasilishwa kwa ukarabati au ubadilishaji chini ya udhamini lazima zilipwe na mnunuzi. Udhamini huu unaanza kwa na unategemea vipindi vya muda au masharti yaliyoeleza hapa chini. Kwa huduma ya udhamini, tafuta muuzaji aliyethibitishwa karibu na wewe katika ramani iliyo kwenye tovuti yetu ya BRIGGSandSTRATTON.COM. Lazima mnunuzi awasiliane na Muuzaji mwenye Idhini ya Huduma, na kisha apeleke bidhaa kwa Muuzaji mwenye Idhini ya Kukarabati kwa ukaguzi na majaribio. (X)

Hakuna udhamini mwingine wa haraka. Udhamini ulioashiriwa, ikiwa ni pamoja na ule wa uuzaji na uzima fulani kwa lengo fulani, zina upungufu wa muda ulioorodheshwa hapo chini, au kwa kiasi kilichoruhusiwa na sheria. Wajibu kwa uharibifu ulioletwa na shughuli au matokeo ya matumizi zimetengwa kwa kiasi zinaruhusiwa na sheria. Baadhi ya majimbo au nchi haziruhusu upungufu unaoama udhamini ulioashiriwa unakuwa halali kwa muda gani, na baadhi ya majimbo au nchi haziruhusu ukwepaji au uzuiaji wa uharibifu ulioletwa na shughuli au matokeo ya matumizi, kwa hivyo uzuiaji na ukwepaji unaweza kuwa hauko halali kwako. Udhamini huu hupeana haki maalum za kisheria na pia unaweza kuwa na haki zingine ambazo zinatofautiana kutoka kwenye jimbo hadi jingine na nchi hadi nyingine ⁴.

Masharti Wastani ya Udhamini 1, 2, 3

Chapa / Jina la Bidhaa	Matumizi ya Mtumiaji	Matumizi ya Kibiashara
Mfululizo wa Shughuli za Kibiashara za Vanguard™	Miezi 36	Miezi 36
Injini Zinazoangazia Dura-Bore™ Cast Iron Sleeve	Miezi 24	Miezi 12
Injini Nyingine Zote	Miezi 24	Miezi 3

¹Haya ni masharti yetu wastani ya udhamini, lakini mara kwa mara kunaweza kuwa na bima ya ziada ya udhamini ambayo haikuthibitishwa wakati wa uchapishaji. Kwa uorodheshaji wa masharti ya udhamini ya injini yako, nenda kwenye BRIGGSandSTRATTON.com au wasiliana na Mtoa Huduma wako wa Briggs & Stratton Aliyeidhinishwa.

² Hakuna udhamini kwa injini kwa vifaa vilivyotumiwa kwa nguvu kuu katika mahali pa shirika kwa jenereta za chelezo zinazotumiwa kwa malengo ya kibiashara. Injini zinazotumiwa kwa mashindano ya uendeshaji au malori ya kibiashara au ya kukodisha hayadhaminwi.

³ Vanguard imesakinishwa kwenye jenereta za chelezo: Matumizi ya mtumiaji ya miezi 24, hakuna udhamini wa matumizi ya kibiashara. Vanguard imesakinishwa kwenye magari ya shirika: Matumizi ya mtumiaji ya miezi 24, matumizi ya kibiashara ya miezi 24. Mfululizo wa Kibiashara na tarehe ya uzalishaji kabla ya Julai 2017, miezi 24 ya matumizi ya mtumiaji, miezi 24 ya utumiaji wa kibiashara.

⁴ Nchini Australia - Bidhaa zetu huja na hakikisho ambalo haliwezi kutojumuishwa chini ya Sheria ya Mtumiaji ya Australia. Una haki ya kubadilishwa au kurudishiwa pesa kwa hitilafu kuu au fidia kwa uharibifu au hasara nyingine yoyote ya siku za usoni. Pia una haki ya bidhaa kukarabatiwa au kubadilishwa ivapo bidhaa hazitakuwa za ubora unaokubaliwa na hitilafu haimaanishi kuna hitilafu kubwa. Kwa huduma ya udhamini, tafuta Mtoa Huduma Aliyeidhinishwa wa karibu kwenye ramani yetu ya mtoa huduma katika BRIGGSandSTRATTON.COM, au kwa kupiga simu 1300 274 447, au kwa kutuma barua pepe au kuandika kwa alesenquiries@briggsandstratton.com.au, Briggs & Stratton Australia Pty Ltd, 1 Moorebank Avenue, Moorebank, NSW, Australia, 2170.

Kipindi cha udhamini huanza tarehe asili ya ununuzi kwa mtumiaji wa rejareja au wa biashara wa kwanza. "Matumizi ya Mtumiaji" humaanisha matumizi ya kibinafsi ya familia ya makazi na mtumiaji wa rejareja. "Matumizi ya kibiashara" humaanisha matumizi mengine yote, yakijumuisha ya kibiashara, malengo ya kuzalisha mapato au ya kukodisha. Pindi tu injini imepitia matumizi ya kibiashara, kuanzia hapo itachukuliwa kama injini ya matumizi ya kibiashara kwa malengo ya udhamini huu.

Hifadhi risiti yako ya ushahidi wa ununuzi. Iwapo hutatoa ushahidi wa tarehe ya kwanza ya ununuzi wakati huduma ya udhamini inaombwa, tarehe ya utengenezaji wa bidhaa itatumiawa kuthibitisha kipindi cha udhamini. Usajili wa bidhaa hautajiki katika kupokea huduma ya udhamini kwenye bidhaa za Briggs & Stratton.

Kuhusu Udhamini Wako

Udhamini huu wa kipimo hushughulikia nyenzo zinazohusiana na masuala ya injini na/au kazi ya miko tu, na sio ubadilishaji au urudishaji pesa ya vifaa ambavyo injini inaweza kuwa imewekewa. Udumishaji, usawazishaji, marekebisho au kuisha na kuraruka kwa kawaida kwa kila mara hakushughulikiwa chini ya udhamini huu. Vile vile, udhamini hautumiki ivapo injini imebadilishwa au kurekebishwa au ivapo nambari ya siri ya injini imeharibiwa au kuondolewa. Udhamini huu haushughuliki uharibifu wa injini au matatizo ya utendakazi yanayosababishwa na:

1. Matumizi ya sehemu ambazo sio sehemu asili za Briggs & Stratton;
2. Kuendesha injini zilizo na upungufu, zilizo chafu, au gredi isiyo sahihi au ya mafuta ya kulainisha;
3. Matumizi ya fueli iliyochafuliwa au yaliyotumika, petroli yaliyotengenezwa kwa zaidi ya 10% ya ethanol, au matumizi ya fueli mbadala kama vile petroli iliyoevuka au gesi asili kwenye injini isiyobuniwa/kutengenezwa kiasili na Briggs & Stratton kuendesha kwa fueli hizo;
4. Uchafu ulioingia kwenye injini kwa sababu ya udumishaji wa kisafishaji hewa kisichofaa au kukusanywa upya;
5. Kugonga kifaa kwa bapa za kukata za mashine ya kukata nyasi, adapta, impela au vifaa vingine vya fitokombo ya pamoja au ukazaji wa kupita kiasi wa v-belt;
6. Sehemu zinazohusiana au vifaa vingine kama vile klachi, visambazaji, vidhibiti vya kifaa, nk., ambavyo havisambazwi na Briggs & Stratton;
7. Kuchemka kupita kiasi kutokana kukata kwa nyasi, uchafu na vifusi vya , au viota vya panya ambavyo huziba au kufunika vifaa vya kupoesha au eneo ya gurudumu la kuongeza kasi, au injini inayoendesha bila uingizaji hewa wa kutosha;
8. Mtetemo wa kupita kiasi kutokana kuendesha kwa kasi zaidi, uwekaji injini ulioleaga, bapa za kukata au impela zisizotoshana, au uunganishaji usio sawa wa nyenzo za vifaa kwenye fitokombo;
9. Matumizi mabaya, ukosefu wa udumishaji wa kila mara, uletaji kwa meli, utunzaji, au uhifadhi wa kifaa, au usakinishaji wa injini usio sahihi.

Huduma ya udhamini inapatikana tu kupitia katika Wauzaji wa Huduma Walioidhinishwa kutoka Briggs & Stratton. Tafuta Mtoa Huduma wetu Aliyeidhinishwa kwenye ramani yetu ya kutafuta mtoa huduma katika BRIGGSandSTRATTON.COM au kupiga simu 1-800-233-3723 (Marekani).

80008256 (Rev. C)

يحتوي هذا الدليل على معلومات الأمان التي تساعدك على الانتباه لمصادر الخطورة والمخاطر المصاحبة للتعامل مع المحركات وكيفية تفاديها. كما يحتوي هذا الدليل أيضاً على إرشادات تتعلق باستخدام الأمل للمحرك والعناية الصحيحة به. ونظراً لأن شركة Briggs & Stratton Corporation لا تعرف بالضرورة طبيعة المعدة التي سيفوق هذا المحرك بتشغيلها، فمن الضروري أن تقوم بقراءة وفهم هذه الإرشادات إلى جانب الإرشادات الخاصة بالمعدة. احتفظ بهذه التعليمات الأصلية للرجوع إليها مستقبلاً.

ملاحظة: إن الأشكال والرسوم التوضيحية الواردة في هذا الدليل تم إرفاقها كمرجع وحسب، وقد تختلف عن الموديل خاصتك. وإذا كانت لديك أي أسئلة، فسيكتفل وكيلنا بالإجابة عليها بمجرد التواصل معه.

وللحصول على قطع الغيار أو أي مساعدة فنية، قم بتسجيل موديل المحرك، ونوعه، وأرقام الأكواد، إضافة إلى تاريخ الشراء أدناه. وستجد هذه الأرقام مدونة على المحرك (راجع قسم الميزات وعناصر التحكم).

تاريخ الشراء	رقم التسلسلي للمحرك
موديل المحرك - النوع - الكود	



ابحث عن الباركود ثنائي البعد الموجود على بعض المحركات. وعند قراءة الباركود بالجهاز المخصص لذلك، سيظهر لك موقعنا الإلكتروني حيث يمكنك الدخول إلى معلومات الدعم الخاصة بهذا المنتج. تُطبق أسعار البيانات. وقد لا تكون معلومات الدعم متاحة عبر الإنترنت في بعض الدول.

أمان المشغل

رمز تنبيه السلامة وكلمات اللافتات التحذيرية

يُستخدم رمز تنبيه الأمان ⚠ للإشارة إلى معلومات أمان بشأن الأخطار التي قد تنتج عنها إصابة شخصية. تستخدم كلمة اللافتة (خطر أو تحذير أو تنبيه) مع رمز التنبيه لتحديد احتمالية وقوع الإصابة ومستوى جسامتها. إضافة إلى ذلك، يمكن أن يستخدم رمز خطر للإشارة إلى نوع الخطر.

⚠ خطر يدل على المخاطر التي إذا لم يتم تجنبها ستؤدي إلى الوفاة أو إلى إصابة خطيرة.

⚠ تحذير يدل على المخاطر التي إذا لم يتم تجنبها، فمن الممكن أن تؤدي إلى الوفاة أو إلى إصابة خطيرة.

⚠ تنبيه يشير إلى خطر إذا لم يتم تفاديه فيمكن أن يؤدي إلى إصابة بسيطة أو متوسطة.

إنذار يشير إلى موقف قد يؤدي إلى حدوث تلفيات في المنتج.

رموز المخاطر ومعانيها

الرمز	المعنى	الرمز	المعنى
⚠	معلومات سلامة حول مصادر الخطورة التي يمكن أن تؤدي إلى إصابة شخصية.	⚠	خطر انفجار
🔥	خطر حريق	⚠	خطر أذخنة سامة
👤	خطر صدمة	⚠	خطر ضوضاء - يوصى بارتداء واقى الأذن للاستخدام المطول.
🔥	خطر سطح ساخن	⚠	خطر انفجار
👤	خطر أجزاء مفدوفة - ارتد واقى العين.		

الرمز	المعنى	الرمز	المعنى
❄️	خطر عضة صقيع	👤	خطر رد فعل عنيف
👤	خطر بتر - أجزاء متحركة	☠️	خطر كيموايات
👤	خطر حرارة	👤	خطر مادة أكلة

رسائل السلامة



تحذير

تحتوي بعض المكونات الموجودة في هذا المنتج، والملحقات الخاصة به على مواد كيميائية تعرف بالنسبة لولاية كاليفورنيا على أنها مواد مسببة للسرطان، أو تشوه الأجنة، أو غيرها من الأضرار التي تؤثر على عمليات الإنجاب. اغسل يديك بعد التعامل مع الآلة.



تحذير

يحتوي عادم المحرك الناتج عن هذا المنتج على مواد كيميائية تعرف بالنسبة لولاية كاليفورنيا على أنها مواد مسببة للسرطان، أو تشوه الأجنة، أو غيرها من الأضرار التي تؤثر على عمليات الإنجاب.



تحذير

إن محركات Briggs & Stratton غير مصممة أو صالحة للاستخدام في: مركبات السباقات الصغيرة المخصصة لألعاب المرح/التسلية؛ أو مركبات الأطفال، أو المركبات الترويحية، أو المركبات الصالحة للسير في جميع الطرق (ATVs)؛ أو الدراجات النارية؛ أو الحوامات؛ أو منتجات الطائرات؛ أو المركبات المخصصة للاستخدام في منافسات غير مرخصة من جانب Briggs & Stratton. ولمزيد من المعلومات عن المنتجات المخصصة للاستخدام في السباقات التنافسية، تفضل بزيارة موقعنا الإلكتروني www.briggsracing.com. وللإستخدام مع مركبات الخدمة العامة والمركبات الصالحة للسير في جميع الأراضي (ATVs) يرجى الاتصال بمركز استخدامات محرك Briggs & Stratton على رقم 1-866-927-3349. قد ينتج عن الاستخدام غير السليم للمحرك وقوع إصابات خطيرة أو الوفاة.



تحذير

يعتبر الوقود والأبخرة المتصاعدة منه مواد قابلة للاشتعال والانفجار بشدة.

يمكن أن يتسبب نشوب حريق أو وقوع انفجار في التعرض لحروق شديدة أو الوفاة.

عند إضافة الوقود

- قم بإيقاف تشغيل المحرك واتركه حتى يبرد لمدة دقيقتين على الأقل قبل محاولة فك غطاء فتحة التزود بالوقود.
- قم بملء خزان الوقود في الهواء الطلق، أو في منطقة جيدة التهوية.
- لا تفرط في ملء خزان الوقود. لكي يتيح إمكانية تمدد الوقود، احرص على ألا يتجاوز مستوى الوقود الجزء السفلي من رقبة خزان الوقود.
- ابعدهم عن مصادر الشرر، ومصادر اللهب المفتوحة، والشعلات الدائمة والحرارة، وغيرها من مصادر الاشتعال الأخرى.
- إحصص أنابيب الوقود، والخزان، والغطاء والتراكيب بشكل متكرر للتأكد من عدم وجود أي تشققات، أو تسريبات بها. واستبدل الأجزاء إذا اقتضت الحاجة.
- في حالة انسكاب الوقود، انتظر حتى يتبخّر قبل أن تبدأ بتشغيل المحرك.

عند بدء تشغيل المحرك

- تأكد من وجود شمعة الإشعال، وكاتم صوت المحرك، وغطاء فتحة التزود بالوقود، ومنقى الهواء (إذا كان المحرك مجهزاً به) في أماكنها، وتأكد من تثبيتها جيداً كذلك.
- لا تحاول تدوير المحرك باستخدام ذراع التدوير إذا كانت شمعة الإشعال مفكوكة.
- إذا كان المحرك مشبوعاً بالوقود، فاضبط صمام الخائق في الوضع OPEN/RUN (فتح/تشغيل)، وحرك دواسة الخائق. (إذا كان المحرك مجهزاً بها) إلى الوضع FAST (سريع) وقم بمحاولة تدوير المحرك باستخدام ذراع التدوير حتى يبدأ تشغيل المحرك.

عند تشغيل الجهاز

- لا تملأ المحرك أو المعدة بزواوية قد تؤدي إلى انسكاب الوقود.
- لا تحاول خنق الكربيراير بغرض إيقاف المحرك.



- لا تبدأ تشغيل المحرك مطلقاً في حالة إزالة مجموعة منقى الهواء (إذا كان المحرك مجهزاً بها)، أو فلتر الهواء (إذا كان المحرك مجهزاً به).

عند تغيير الزيت

- في حالة تصريف الزيت من أنبوب ملء الزيت العلوي، يجب أن يكون خزان الوقود فارغاً، وإلا فقد يتسرب الوقود للخارج، مما يؤدي إلى حدوث حريق أو انفجار.

عند إمالة الوحدة بغرض صيانتها

- عند القيام بأعمال الصيانة التي تتطلب إمالة الوحدة، يجب أن يكون خزان الوقود فارغاً، وإلا قد يتسرب الوقود إلى الخارج مما يسبب حريق أو انفجار.

عند نقل الجهاز

- يتم نقله بشرط أن يكون خزان الوقود "فارغاً"، أو أن يكون صمام قفل الوقود في الوضع "مُغلق".

عند تخزين الوقود أو المعدات مع وجود وقود في الخزان

- يتم تخزينه بعيداً عن الأفران، أو المواقد، أو سخانات المياه، أو أي أجهزة مزودة بمصايح دليلة، أو أي مصادر اشتعال أخرى لأنها قد تؤدي إلى اشتعال أبخرة الوقود.



يؤدي بدء تشغيل المحرك إلى تطاير شرر.

ويمكن أن يؤدي الشرر إلى حدوث حريق بالقرب من الغازات القابلة للاشتعال.

وقد ينتج عن ذلك حدوث انفجار.

- في حالة حدوث تسرب للغاز الطبيعي أو الغاز المسال في إحدى المناطق، لا تبدأ تشغيل المحرك.
- لا تستخدم سوائل بدء تشغيل مضغوطة لأن الأبخرة المتصاعدة عنها تكون قابلة للاشتعال.



خطر الغاز السام. يحتوي عادم المحرك على أول أكسيد الكربون وهو غاز سام قد يقتلك في دقائق. وهو غاز لا يمكنك رؤيته أو شم رائحته أو تذوق طعمه. فحتى وإن لم تشم أبخرة العادم، قد تكون لا تزال معرضاً لغاز أول أكسيد الكربون. إذا بدأت تشعر بأعراض أو دوام أو ضعف أثناء استخدام هذا المنتج، فانتقل إلى مكان به هواء نقي على الفور. قم بزيارة الطبيب. قد تتعرض للتسمم بسبب أول أكسيد الكربون.

- لا تقم بتشغيل هذا المنتج إلا في مكان خارجي بعيداً عن النوافذ والأبواب وفتحات التهوية للحد من مخاطر تراكم غاز أول أكسيد الكربون وتسربه باتجاه الأماكن المأهولة بالسكان.
- قم بتربك إنذارات مراقبة غاز أول أكسيد الكربون التي تعمل بالبطاريات أو التي تعمل بالكهرباء وتكون مزودة بنظام بطارية احتياطي وفقاً لتعليمات الجهة المصنعة. إذ يتعدى على إنذارات الدخان كشف غاز أول أكسيد الكربون.
- لا تشغل هذا المنتج داخل المنازل أو المرائب أو الأقباء أو أماكن التخزين الضيقة أو السفائف أو غيرها من الأماكن المحصورة جزئياً حتى في حالة تشغيل المراوح أو فتح الأبواب والنوافذ للتهوية. فقد يتراكم أول أكسيد الكربون بسرعة في هذه الأماكن ويبقى عالماً لساعات حتى بعد إيقاف تشغيل هذا المنتج.
- ضع هذا المنتج دائماً باتجاه الريح ووجه عادم المحرك بعيداً عن الأماكن المأهولة.



يؤدي الارتداد السريع لحبل بادئ التشغيل (رد فعل عنيف) إلى سحب يدك وذراعك باتجاه المحرك بشكل أسرع من أن تستطيع إقلاته.

وقد يتسبب ذلك في إحداث كسور عادية، أو كسور مضاعفة، أو رضوض، أو التواءات.

- عند بدء تشغيل المحرك، اسحب حبل بادئ التشغيل ببطء حتى تشعر بمقاومة عكسية، ثم اسحب الحبل بسرعة لتجنب رد الفعل العنيف.
- قم بإزالة جميع أحمال المعدة/المحرك الخارجية قبل بدء تشغيل المحرك.
- جميع مكونات المعدة المتصلة بها اتصالاً مباشراً، مثل، على سبيل الذكر لا الحصر، الشفرات، أو عجلات الدفع، أو البكرات، أو العجلات المسننة، إلخ، يجب ربطها بإحكام.



الأجزاء الدوارة يمكنها ملامسة أو التشابك مع الأيدي، أو الأقدام، أو الملابس، أو الأكسسوارات.

وقد ينتج عن ذلك بتر للأطراف، أو تمزقها بشدة.

- قم بتشغيل المعدة مع التأكد من وضع الواقيات في الأماكن المخصصة لها.
- ابق يديك وقدميك بعيداً عن الأجزاء الدوارة.
- اربط الشعر الطويل وانزع المجوهرات.
- لا ترتد ملابس فضفاضة، أو ملابس ذات أشرطة متدلية، أو أي أشياء يمكن أن تعلق بالأجزاء الدوارة.

يؤدي تشغيل المحركات إلى إنتاج حرارة. كما ترتفع درجة حرارة أجزاء المحرك، وبخاصة كاتم صوت المحرك بشكل كبير للغاية.

وهو ما قد يؤدي، عند ملامسة تلك الأجزاء، إلى الإصابة بحروق شديدة.

ويمكن أن تتسبب المخلفات القابلة للاشتعال، مثل الأوراق الجافة، أو العشب، أو الأغصان المقطوعة الجافة، إلخ في حدوث حريق.

- اترك كاتم صوت المحرك، واسطوانة المحرك، والمراوح حتى تبرد قبل لمسها.
- قم بإزالة المخلفات المتراكمة من منطقة كاتم صوت المحرك ومنطقة الاسطوانة.

يعد من قبيل المخالفة لقانون الموارد العامة في كاليفورنيا، القسم 4442، أن تقوم باستخدام أو تشغيل المحرك في أي أرض مغطاة بالغازات، أو بالأغصان، أو بالعشب، ما لم يكن نظام العادم مجهزاً بممانعة الشرر كما هو موضح في القسم 4442، والتأكد من قدرتها على التشغيل بطريقة فعالة. قد يكون بعض الولايات الأخرى أو الولايات القضائية قوانين مشابهة. اتصل بالجهة الأصلية لتصنيع المعدة، أو بائع التجزئة، أو الموزع للحصول على مانعة الشرر المصممة خصيصاً لنظام العادم المثبت في هذا المحرك.



قد يؤدي تصاعد الشرر بطريقة غير مقصودة إلى حدوث حريق أو صدمة كهربية.

قد يؤدي بدء التشغيل بطريقة غير مقصودة إلى تشابك الأطراف، أو بترها، أو تمزقها.

خطر الحريق

قبل إجراء أعمال الضبط، أو الإصلاحات:

- افصل سلك شمعة الإشعال وابقه بعيداً عنها.
- افصل الطرف الموجب للبطارية (في المحركات المزودة ببادئ تشغيل كهربائي).
- استخدم الأدوات المناسبة فقط.
- لا تعبث بالزئبرك الحاكم، أو الوصلات، أو أي أجزاء أخرى لزيادة سرعة المحرك.
- يجب أن تكون قطع الغيار البديلة من نفس التصميم، وأن تكون مثبتة في نفس الوضع مثل قطع الغيار الأصلية. قطع الغيار غير الأصلية لا تعمل بكفاءة، وقد تلف الوحدة، وقد تؤدي إلى حدوث إصابات.
- لا تطرق على الحداقة باستخدام مطرقة، أو شيء صلب، وذلك لأن الحداقة قد تتحطم خلال التشغيل.

عند اختبار شمعة الإشعال:

- استخدم أداة معتمدة لاختبار شمعة الإشعال.
- لا تحاول فحص قوة الشرارة إذا كانت شمعة الإشعال مفكوكة.

الميزات وعناصر التحكم

عناصر التحكم في المحرك

قارن بين الرسوم التوضيحية (الشكل: 1, 2, 3) ومحرك لتتعرف على مواقع الميزات وعناصر التحكم المختلفة.

A. الأرقام التعريفية للمحرك الموديل - النوع - الكود

B. شمعة الإشعال

C. منقى الهواء (مستو أو بيضاوي)

D. أداة التحكم في الخانق

E. قفل الوقود (إذا كان المحرك مجهزاً به)

F. مقبض حبل بادئ التشغيل

G. شبكة سحب الهواء

H. أداة التحكم في دواسة الخانق (إذا كان المحرك مجهزاً بها)

I. زر الإيقاف (إذا كان المحرك مجهزاً به)

J. خزان الوقود والغطاء

K. عصا قياس الزيت الطويلة (إذا كان المحرك مجهزاً بها)

L. عصا قياس الزيت القصيرة (إذا كان المحرك مجهزاً بها)

M. سداة تصريف الزيت

N. إضافة الزيت

O. كاتم صوت المحرك، واقى كاتم صوت المحرك (إذا كان المحرك مجهزاً به)، مانعة الشرر (إذا كان المحرك مجهزاً بها)

P. مفتاح الأمان (الموديلات المزودة ببادئ تشغيل كهربائي)

Q. مفتاح تشغيل/إيقاف (الموديلات المزودة ببادئ تشغيل كهربائي)

R. وحدة خفض السرعة (حال التجهيز بها)

رموز التحكم في المحرك ومعانيها

الرمز	المعنى	الرمز	المعنى
	سرعة المحرك - سريع		سرعة المحرك - بطيء
	سرعة المحرك - متوقف		تشغيل - إيقاف
	بدء تشغيل المحرك - الخانق مغلق		بدء تشغيل المحرك - الخانق مفتوح
	غطاء فتحة تعبئة الوقود - صمام غلق الوقود - مفتوح		صمام غلق الوقود - مغلق
	مستوى الوقود - الحد الأقصى لا تتجاوز الحد المسموح به من الزيت.		

فحص مستوى الزيت

انظر الشكل: 4, 5

قبل إضافة الزيت أو فحص مستواه

- تحقق من استواء وضع المحرك.
- نظف منطقة تعبئة الزيت من أية مخلفات.

غطاء فتحة إضافة الزيت، إذا كان المحرك مجهزاً به

- قم بإزالة غطاء فتحة الزيت (A، الشكل 4).
- إذا كان مستوى الزيت منخفضاً، أضف الزيت ببطء من خلال فتحة تعبئة الزيت بالمحرك (B، الشكل 4). لا تملأ الزيت بشكل زائد عن الحد.
- أعد تركيب غطاء فتحة إضافة الزيت (A، 4) وأحكام ربطه.

عصا قياس الزيت القصيرة، إذا كان المحرك مجهزاً بها

- قم بإخراج عصا قياس مستوى الزيت (C، الشكل 4) وامسحها بقطعة قماش نظيفة.
- ركب عصا القياس (C، الشكل 4). لا تغم بلعها أو إحكام ربطها.
- قم بإخراجها مرة أخرى وتفقد مستوى الزيت. يجب أن يكون الزيت عند قمة مؤشر الامتلاء (D، الشكل 4) الموجود على عصا القياس.
- إذا كان مستوى الزيت منخفضاً، أضف قدرًا من الزيت ببطء من خلال فتحة تعبئة الزيت بالمحرك (B، الشكل 4). لا تملأ الزيت بشكل زائد عن الحد.
- أعد تركيب عصا القياس (C، الشكل 4) واربطها بإحكام.

عصا قياس الزيت الطويلة، إذا كان المحرك مجهزاً بها

- قم بإخراج عصا قياس مستوى الزيت (A، الشكل 5) وامسحها بقطعة قماش نظيفة.
- أعد تركيب عصا القياس وأحكام ربطها (A، 5).
- قم بإخراجها مرة أخرى وتفقد مستوى الزيت. يجب أن يكون الزيت عند قمة مؤشر الامتلاء (B، الشكل 5) الموجود على عصا القياس.
- إذا كان مستوى الزيت منخفضاً، فقم بإضافة الزيت ببطء من خلال فتحة تعبئة الزيت بالمحرك (C، الشكل 5). لا تتجاوز الحد المسموح به من الزيت. بعد إضافة الزيت، انتظر دقيقة واحدة ثم عاود فحص مستوى الزيت.
- أعد تركيب عصا القياس وأحكام ربطها (A، 5).

نظام الحماية من انخفاض الزيت (في حال التجهيز به)

تكون بعض المحركات مزودة بحساس لانخفاض الزيت. ويقوم الحساس عند انخفاض الزيت إما بتنشيط ضوء تحذيري أو إيقاف المحرك. أوقف المحرك واتبع هذه الخطوات قبل إعادة تشغيله.

- تحقق من أن المحرك في وضع مستوي.
- افحص مستوى زيت المحرك. راجع قسم كيفية فحص مستوى الزيت.
- إذا كان مستوى الزيت منخفضاً، أضف الكمية الملائمة من الزيت. شغل المحرك وتحقق من أن الضوء التحذيري (حال التجهيز به) غير نشط.
- إذا لم يكن مستوى الزيت منخفضاً، لا تُشغل المحرك. اتصل على موزع معتمد لدى Briggs & Stratton لحل المشكلة المتعلقة بالزيت.

توصيات الوقود

يجب أن يتوافق الوقود مع المتطلبات التالية:

- بنزين نظيف، وجديد، وخالي من الرصاص.
- 87 أوكتان (91 AKI / 87) كحد أدنى. يمكن استخدامه في المناطق المرتفعة عن سطح البحر، انظر أدناه.
- يمكن استخدام بنزين يحتوي على 10% إيثانول (جازوهول) كحد أقصى.

إشعار لا تستخدم بنزين غير معتمد، مثل E15 و E85. لا تخلط الزيت بالبنزين، ولا تعدل المحرك كي يعمل باستخدام وقود بديل. حيث أن ذلك سيلحق تلفيات بمكونات المحرك وسيستب في إبطال الضمان.

لحماية نظام الوقود من تكون ترسبات صمغية، أضف قدرًا من مثبت الوقود إلى الوقود. راجع التخزين. ثمة أنواع كثيرة من الوقود. ففي حالة حدوث مشكلات تتعلق ببدء التشغيل أو مستوى الأداء، تعامل مع مزودين آخرين، أو قم بتغيير العلامة التجارية. تم اعتماد هذا المحرك ليعمل بالبنزين. نظام التحكم في الانبعاثات لهذا المحرك هو EM (تعديلات محرك).

العلو المرتفع

عند التشغيل على ارتفاعات تفوق 5000 قدم (1524 مترًا)، يمكن استخدام البنزين 85 أوكتان (89 AKI / 85 RON) بحد أدنى.

وبالنسبة للمحركات المزودة بكمبيوتر، يلزم إجراء أعمال الضبط الخاصة بالارتفاعات العالية للحفاظ على الأداء. يؤدي التشغيل دون إجراء هذا الضبط إلى انخفاض مستوى الأداء، وزيادة استهلاك الوقود، وزيادة معدل الانبعاثات. راجع الأمر مع الموزع المعتمد لدى Briggs & Stratton للتعرف على معلومات الضبط عند

التشغيل

توصيات متعلقة بالزيت

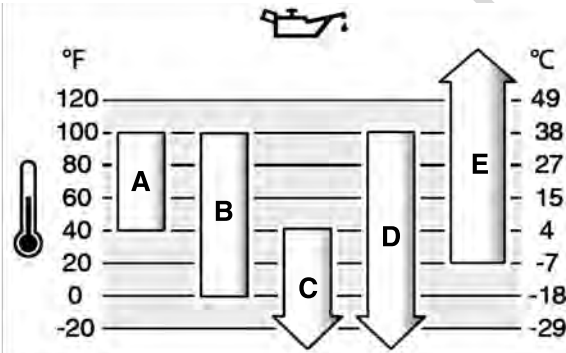
سعة الزيت: انظر المواصفات القسم.

إشعار

تم شحن هذا المحرك من Briggs & Stratton وهو خال من الزيت. قد يقوم مصنعو المعدات أو الوكلاء بإضافة الزيت إلى محرك. فقبل أن تبدأ بتشغيل المحرك للمرة الأولى، افحص مستوى الزيت وأضف الزيت حسب الإرشادات الواردة في هذا الدليل. وإذا بدأت تشغيل المحرك بدون إضافة الزيت، فسيعرض لتلف يصعب إصلاحه، ولن يغطي الضمان هذا التلف.

دائمًا ما توصي باستخدام الزيوت المضمنة والمعتمدة من Briggs & Stratton للحصول على أفضل أداء. لا بأس باستخدام زيوت أخرى عالية الجودة، شريطة أن تكون مصنفة لخدمات SF، أو SG، أو SJ، أو خدمات أعلى. لا تستخدم إضافات خاصة.

تحدد درجات الحرارة الخارجية درجة لزوجة الزيت المناسبة للمحرك. استخدم المخطط لتحديد أفضل درجة لزوجة لتشغيل المحرك في نطاق درجة الحرارة الخارجية المتوقعة. تعمل المحركات في معظم المعدات الآلية الخارجية بشكل جيد باستخدام زيت 5W-30 التركيبي. في حالة المعدات التي تعمل في درجة حرارة مرتفعة، يوفر زيت 15W-50 التركيبي من Vanguard™ أفضل حماية.



A	SAE 30 (متوبة)، يؤدي استخدام 4° فهرنهايت 40° بالنسبة لدرجات الحرارة أقل من - إلى صعوبة في بدء التشغيل
B	متوبة)، قد يؤدي استخدام 27° فهرنهايت 80° بالنسبة لدرجات الحرارة أعلى من - إلى ارتفاع معدل استهلاك الزيت. تحقق من مستوى الزيت بمعدل تكرار أكثر 10W-30
C	5W-30
D	التركيبي 5W-30

- قم بترييب إنذارات مراقبة غاز أول أكسيد الكربون التي تعمل بالبطاريات أو التي تعمل بالكهرباء وتكون مزودة بنظام بطارية احتياطي وفقاً لتعليمات الجهة المصنعة. إذ يتعدى على إنذارات الدخان كتشغيل غاز أول أكسيد الكربون.
- لا تشغل هذا المنتج داخل المنازل أو المراب أو الأقباء أو أماكن التخزين الضيقة أو السفائف أو غيرها من الأماكن المحصورة جزئياً حتى في حالة تشغيل المراوح أو فتح الأبواب والنوافذ للتهوية. فقد يتراكم أول أكسيد الكربون بسرعة في هذه الأماكن ويبقى عالماً لساعات حتى بعد إيقاف تشغيل هذا المنتج.
- احرص دوماً على وضع هذا المنتج باتجاه الرياح واجعل اتجاه عادم المحرك بعيداً عن الأماكن المأهولة.

إشعار تم شحن هذا المحرك من Briggs & Stratton وهو خال من الزيت. فقبل أن تبدأ بتشغيل المحرك، تأكد من إضافة الزيت حسب الإرشادات الواردة في هذا الدليل. إذا بدأت تشغيل المحرك بدون إضافة الزيت، فسيتعرض لتلف يصعب إصلاحه، ولن يغطي الضمان هذا التلف.

ملاحظة: ربما تكون المعدة مزودة بأدوات تحكم عن بعد، يرجى الرجوع إلى دليل تشغيل المعدة للتعرف على أماكن أدوات التحكم عن بعد وطريقة تشغيلها.

1. افحص زيت المحرك. راجع قسم فحص مستوى الزيت .
 2. تأكد من كون أدوات التحكم في إدارة المعدة، إن وجدت، مفصولة.
 3. حرك قفل الوقود (A، الشكل 7) إلى وضع الفتح.
 4. حرك أداة التحكم في دواسة الخانق (C، الشكل 7)، إذا كان المحرك مجهزاً بها، إلى الوضع السريع. شغّل المحرك في الوضع السريع.
 5. حرك أداة التحكم في الخانق (B، الشكل 7) إلى وضع الخانق.
- ملاحظة: عادة ما لا يكون الخنق مطوياً عند إعادة تشغيل المحرك وهو دافئ.
6. حرك زر الإيقاف (D، الشكل 7)، إذا كان المحرك مجهزاً به، إلى وضع التشغيل.
 7. بدء تشغيل المحرك عن طريق الفف، إذا كان المحرك مزوداً بإحدى تشغيل يدوي؛ أمسك بنبات مقبض حبل بادئ التشغيل (E، الشكل 7). اسحب مقبض حبل بادئ التشغيل ببطء حتى تحس بمقاومة، ثم اسحب بسرعة.



تحذير

يؤدي الارتداد السريع لحبل بادئ التشغيل (رد فعل عنيف) إلى سحب يدك وذراعك باتجاه المحرك بشكل أسرع من أن تستطيع إفلاته. وقد يؤدي ذلك إلى إصابة يدك أو ذراعك بكسور عادية، أو كسور مضاعفة، أو رضوض، أو التواءات عنيفة في المفاصل. عند بدء تشغيل المحرك، اسحب حبل بادئ التشغيل ببطء حتى تشعر بمقاومة عكسية، ثم اسحب الحبل بسرعة لتجنب رد الفعل العنيف.

8. بدء التشغيل الكهربائي، إذا كان المحرك مجهزاً بمفتاح أمان (F): ادفع مفتاح الأمان (F، الشكل 7). ادفع مفتاح بدء التشغيل (G) مؤقتاً. عندما يبدأ المحرك في العمل، أعتق مفتاح بدء التشغيل.
9. بدء التشغيل الكهربائي، إذا كان المحرك مجهزاً بمفتاح سكين ألي (H): أدر مفتاح السكين (H، الشكل 8) على وضع التشغيل. عندما يبدأ المحرك في العمل، حرر مفتاح السكين.

إشعار لإطالة عمر بادئ التشغيل، استخدم دورات بدء تشغيل قصيرة (خمس ثواني بحد أقصى). انتظر دقيقة واحدة بين دورات بدء التشغيل.

10. عندما يسخن المحرك، حرك أداة التحكم في الخانق (B، الشكل 7) إلى وضع التشغيل.

BRIGGSandSTRATTON.com إذا لم يعمل المحرك بعد عدة محاولات، تفضل بزيارة الموقع ملاحظة داخل الولايات المتحدة) Phone1-800-233-3723 أو اتصل بالوكيل المحلي أو على هاتف رقم (الأمريكية).

إيقاف المحرك



تحذير يعتبر الوقود والأبخرة المتصاعدة منه مواد قابلة للاشتعال والانفجار.

يمكن أن يتسبب نشوب حريق، أو وقوع انفجار في التعرض لحروق شديدة، أو قد يؤدي إلى الوفاة.

- لا تحاول خنق الكربيراير بفرض إيقاف المحرك.

1. أداة التحكم في دواسة الخانق، إذا كان المحرك مجهزاً بها: حرك أداة التحكم في دواسة الخانق (C، الشكل 7) إلى الوضع الطبيعي ثم إلى وضع الإيقاف.

زر الإيقاف، إذا كان المحرك مجهزاً به: حرك زر الإيقاف (D، الشكل 7) إلى وضع الإيقاف.

مفتاح الأمان، إذا كان المحرك مجهزاً به: قم بإزالة مفتاح الأمان (F، الشكل 7) واحفظه في مكان آمن بعيداً عن متناول الأطفال.

مفتاح السكين، إذا كان المحرك مجهزاً به: أدر مفتاح السكين (H، الشكل 8) إلى وضع الإيقاف. أزل المفتاح وقم بحفظه في مكان آمن بحيث لا يصل إليه الأطفال.

2. بعد توقف المحرك عن العمل، حرك قفل الوقود (A، الشكل 7) إلى وضع الإغلاق.

التواجد على ارتفاعات عالية، لا يُوصى بتشغيل المحرك على ارتفاعات تقل عن 2500 قدم (762 متراً) باستخدام ضبط الارتفاعات العالية.

وبالنسبة للمحركات التي تعمل بنظام الحقن الإلكتروني للوقود، لا يلزم إجراء ضبط الارتفاعات العالية.

التزود بالوقود

انظر الشكل: 6



تحذير يعتبر الوقود والأبخرة المتصاعدة منه مواد قابلة للاشتعال والانفجار.

يمكن أن يتسبب نشوب حريق، أو وقوع انفجار في التعرض لحروق شديدة، أو قد يؤدي إلى الوفاة.

عند التزود بالوقود

- أوقف تشغيل المحرك واتركه حتى يبرد لمدة دقيقتين على الأقل قبل محاولة فك غطاء فتحة التزود بالوقود.
- املاً خزان الوقود في الهواء الطلق، أو في منطقة جيدة التهوية.
- لا تملأ خزان الوقود بشكل زائد عن الحد. لكي تتيح إمكانية تمدد الوقود، احرص على ألا يتجاوز مستوى الوقود الجزء السفلي من رفبة خزان الوقود.
- ابق الوقود بعيداً عن مصدر الشرر، ومصادر اللهب المفتوحة، ومصابيح الإضاءة الدليلية والحرارة، وغيرها من مصادر الاشتعال الأخرى.
- افحص أنابيب الوقود، والخزان، والغطاء بشكل متكرر للتأكد من عدم وجود أي تشققات، أو تسربات بها. واستبدالها إذا لزم الأمر.
- في حالة انسكاب الوقود، انتظر حتى يتبخّر قبل أن تبدأ تشغيل المحرك.

1. نظّف منطقة فتحة التزود بالوقود من الأتربة والشوائب. قم بإزالة غطاء فتحة التزود بالوقود.
2. املاً خزان الوقود (A، الشكل 6) بالوقود. لكي تتيح إمكانية تمدد الوقود، احرص على ألا يتجاوز مستوى الوقود الجزء السفلي من رفبة خزان الوقود (C).
3. أعد تركيب غطاء فتحة التزود بالوقود.

بدء تشغيل المحرك وإيقافه

انظر الشكل: 7, 8

بدء تشغيل المحرك



تحذير

يؤدي الارتداد السريع لحبل بادئ التشغيل (رد فعل عنيف) إلى سحب يدك وذراعك باتجاه المحرك بشكل أسرع من أن تستطيع إفلاته.

وقد يؤدي ذلك إلى إصابة يدك أو ذراعك بكسور عادية، أو كسور مضاعفة، أو رضوض، أو التواءات عنيفة في المفاصل.

- عند بدء تشغيل المحرك، اسحب حبل بادئ التشغيل ببطء حتى تشعر بمقاومة عكسية، ثم اسحب الحبل بسرعة لتجنب رد الفعل العنيف.



تحذير يعتبر الوقود والأبخرة المتصاعدة منه مواد قابلة للاشتعال والانفجار.

يمكن أن يتسبب نشوب حريق، أو وقوع انفجار في التعرض لحروق شديدة، أو قد يؤدي إلى الوفاة.

عند بدء تشغيل المحرك

- تأكد من وجود شمعة الإشعال، وكان صوت المحرك، وغطاء فتحة التزود بالوقود، ومنقى الهواء (إذا كان المحرك مجهزاً به) في أماكنها، وتأكد من شئنها جيداً كذلك.
- لا تحاول تدوير المحرك باستخدام ذراع التدوير إذا كانت شمعة الإشعال مفكوكة.
- إذا كان المحرك مشغلاً بالوقود، اضبط صمام الخانق (إذا كان المحرك مجهزاً به) في الوضع OPEN/RUN (فتح/تشغيل)، وحرك دواسة الخانق. (إذا كان المحرك مجهزاً بها) إلى الوضع FAST (سريع) وقم بتدوير المحرك باستخدام ذراع التدوير حتى يبدأ العمل.



تحذير

خطر الغاز السام. يحتوي عادم المحرك على أول أكسيد الكربون، وهو غاز سام يمكنه أن يقضي على الوفاة في دقائق. وهو غاز لا يمكن رؤيته أو شم رائحته أو تذوق طعمه. فحتى وإن لم تشم أبخرة العادم، قد تكون لا تزال معرضاً لغاز أول أكسيد الكربون. إذا بدأت تشعر بإعياء أو دوام أو وهن أثناء استخدام هذا المنتج، فأوقفه وانتقل إلى مكان به هواء نقي على الفور. قم باستشارة طبيب. فربما تكون قد تعرضت للتسمم بغاز أول أكسيد الكربون.

- لا تقم بتشغيل هذا المنتج إلا في مكان خارجي بعيداً عن النوافذ والأبواب وفتحات التهوية للحد من مخاطر تراكم غاز أول أكسيد الكربون واحتمال تسربه إلى الأماكن المأهولة.

الصيانة

إشعار إذا تطلب الأمر إمالة المحرك خلال عملية الصيانة، فيجب أن يكون خزان الوقود فارغاً ويجب أن يكون جانب شمعة الإشعال لأعلى. إذا لم يكن خزان الوقود فارغاً، وإذا كان المحرك مانلاً في أي اتجاه آخر، فقد يكون من الصعب بدء تشغيله بسبب تلوث فلتر الهواء وأو شمعة الإشعال بالزيت أو البنزين.



تحذير

عند القيام بأعمال الصيانة التي تتطلب إمالة الوحدة، يجب أن يكون خزان الوقود فارغاً، والا قد يتسرب الوقود إلى الخارج مما يسبب حريق أو انفجار.

نوصي بأن تقوم بزيارة أي من الموزعين المعتمدين لدى Briggs & Stratton لإجراء جميع أعمال الصيانة والخدمة للمحرك وجميع أجزائه.

إشعار يجب أن تظل جميع المكونات المستخدمة في تكوين هذا المحرك في مكانها لضمان التشغيل الصحيح للمحرك.



تحذير

قد يؤدي تطاير الشرر بطريقة غير مقصودة إلى حدوث حريق أو صدمة كهربية.

قد يؤدي بدء التشغيل بطريقة غير مقصودة إلى تشابك الأطراف، أو تبرها، أو تفرقها.

خطر الحريق

قبل إجراء أعمال الضبط، أو الإصلاحات:

- أفضل سلك شمعة الإشعال وأبقه بعيداً عنها.
- أفضل الطرف الموجب للبطارية (في المحركات المزودة ببداي تشغيل كهربي).
- استخدم الأدوات المناسبة فقط.
- لا تعبت بالزنبرك الحاكم، أو الوصلات، أو أي أجزاء أخرى لزيادة سرعة المحرك.
- يجب أن تكون قطع الغيار البديلة من نفس تصميم القطع الأصلية، وأن تكون مثبتة في نفس الوضع مثل قطع الغيار الأصلية. فقطع الغيار غير الأصلية لا تعمل بكفاءة، وقد تلف الوحدة، وقد تؤدي إلى حدوث إصابات.
- لا تطرق على الحداقة باستخدام مطرقة، أو شيء صلب، وذلك لأن الحداقة قد تتحطم خلال التشغيل.

عند اختبار قوة الشرارة:

- استخدم أداة معتمدة لاختبار شمعة الإشعال.
- لا تحاول فحص قوة الشرارة إذا كانت شمعة الإشعال مفكوكة.

التحكم في الانبعاثات

يمكن إجراء أعمال الصيانة، أو الاستبدال، أو الإصلاح لأجهزة وأنظمة أجهزة التحكم في الانبعاثات بمعرفة أي من المؤسسات أو الأفراد المختصين بإصلاح المحركات التي لا تسير على الطرق. ولكن، للتمتع بخدمة "مجانية" لنظام التحكم في الانبعاثات، يجب إجراء الأعمال عبر وكيل خدمة معتمد من قبل المصنع. راجع بيانات التحكم في الانبعاثات.

جدول الصيانة

ساعات 5 أول
• تغيير الزيت
ساعات أو يومياً 8 كل
• فحص مستوى زيت المحرك • تنظيف المنطقة المحيطة بكاتم صوت المحرك وعناصر التحكم • تنظيف شبكة سحب الهواء
ساعة أو سنوياً 25 كل
• 1 تنظيف فلتر الهواء • 1 (تنظيف منقي الهواء الأولي (إذا كان المحرك مجهزاً به)
ساعة أو سنوياً 50 كل
• تغيير زيت المحرك • صيانة نظام العادم
ساعات 100 كل
• تغيير زيت خفض السرعة (حالة التجهيز به)
سنوياً

- استبدال شمعة الإشعال
- استبدال فلتر الهواء
- استبدال منقي الهواء الأولي (إذا كان المحرك مجهزاً به)
- استبدال فلتر الوقود (إذا كان المحرك مجهزاً به)
- صيانة نظام الوقود
- 1 صيانة نظام التبريد
- 2 خلوص الصمام اللارجعي

1 في ظروف المناخ المتربة، أو في حالة وجود شوائب متطايرة في الهواء، قم بزيادة عدد مرات التنظيف.
2 ليس مطلوباً إلا إذا لوحظ وجود مشكلات في أداء المحرك.

الكربيراتير وسرعة المحرك

لا تقم مطلقاً بإجراء تعديلات على الكربيراتير أو سرعة المحرك. فقد تم ضبط الكربيراتير في المصنع ليعمل بكفاءة في جميع الظروف. لا تعبت بالزنبرك الحاكم، أو الوصلات، أو أي أجزاء أخرى بغرض زيادة سرعة المحرك. وإذا ما لزم إجراء أي تعديلات، اتصل بوكيل الخدمة المعتمد لدى Briggs & Stratton لإجرائها.

هذه فلا تتجاوز. يقوم مصنع المعدة بتحديد السرعة القصوى للمحرك الذي سيتم تركيبه عليها. إشعار السرعة. وإذا لم تكن متيقناً من السرعة القصوى للمعدة، أو السرعة التي ضبط عليها المحرك قبل خروجه للحصول على المساعدة. ولضمان Briggs & Stratton من المصنع، اتصل على وكيل الخدمة المعتمد لدى التشغيل الآمن والسليم للمعدة، يجب الاستعانة ببنّي خدمة مؤهل لضبط سرعة المحرك.

صيانة شمعة الإشعال

انظر الشكل: 9

افحص الفوهة (A، الشكل رقم 9) باستخدام محدد قياس الأسلاك (B). وأعد ضبطها إذا لزم الأمر. قم بتركيب شمعة الإشعال وأحكام ربطها حسب عزم الربط الموصى به. للتعرف على ضبط أو عزم الربط الفوهة، راجع قسم المواصفات.

ملاحظة: في بعض المناطق، تنص القوانين المحلية على استخدام شمعة إشعال مقاومة لتخميد إشارات الإشعال. وإذا كان هذا المحرك مجهزاً بشمعة إشعال مقاومة في الأساس، فاستخدم نفس النوع عند استبدالها.

صيانة نظام العادم



تحذير

تنتج حرارة عن تشغيل المحركات. وتصبح أجزاء المحرك، وبخاصة كاتم صوت المحرك، ساخنة للغاية.

الأمر الذي قد يؤدي إلى الإصابة بحروق بالغة عند ملامسة تلك الأجزاء.

ويمكن أن تتسبب المخلفات القابلة للاشتعال، مثل الأوراق الجافة، أو العشب، أو الأغصان المقطوعة الجافة، أو غير ذلك في حدوث حريق.

- دع كاتم صوت المحرك، وأسطوانة المحرك، والمراوح تبرد قبل لمسها.
- قم بإزالة المخلفات المتراكمة من منطقة كاتم صوت المحرك ومنطقة الأسطوانة.
- يعد من قبيل المخالفة لقانون الموارد العامة في كاليفورنيا، القسم 4442، أن تقوم باستخدام أو تشغيل المحرك في أي أرض مغطاة بالغايات، أو بالأغصان، أو بالعشب، ما لم يكن نظام العادم مجهزاً بمائعة الشرر، كما هو موضح في القسم 4442. والتأكد من قدرتها على العمل بفاعلية. وقد توجد قوانين مشابهة لهذا القانون في الولايات أو المناطق الفيدرالية الأخرى. اتصل بالمصنع الأصلي للمعدة، أو بائع التجزئة، أو الموزع للحصول على مانعة الشرر المصممة خصيصاً لنظام العادم المركب في هذا المحرك.

قم بإزالة المخلفات المتراكمة من منطقة كاتم صوت المحرك ومنطقة الأسطوانة. افحص كاتم صوت العادم بحثاً عن شقوق أو شقوق أو تآكل أو أية أضرار أخرى. انزع مانعة الشرر حال وجودها، وافحصها بحثاً عن تلف أو انسداد كربوني. وإذا حددت مكان التلف، فقم بتركيب قطع غيار بديلة قبل تشغيل المحرك.



تحذير

يجب أن تكون قطع الغيار البديلة من نفس تصميم القطع الأصلية، وأن تكون مثبتة في نفس الوضع مثل قطع الغيار الأصلية. فقطع الغيار غير الأصلية لا تعمل بنفس الكفاءة، وقد تلف الوحدة، وقد تؤدي إلى حدوث إصابات.

تغيير زيت المحرك

انظر الشكل: 10، 11، 12

يعتبر الزيت المستهلك من المواد العادمة الخطرة، ويجب التخلص منها بصورة مناسبة. فلا تتخلص منه مع النفايات المنزلية. راجع السلطات المحلية أو مركز الخدمة أو الموزع لمعرفة منشآت التخلص الآمن/إعادة التدوير المتوافرة.



إزالة الزيت

1. بينما يكون المحرك متوقفاً لكنه لا يزال دافئاً، أفضل سلك شمعة الإشعال (D، الشكل 10) وأبقه بعيداً عن شمعة الإشعال (E).
2. قم بإزالة سداة تصريف الزيت (F، الشكل 11). قم بتصريف الزيت إلى داخل الحاوية المخصصة لذلك.
3. في المحرك (11 الشكل، G)، يمكن تركيب أي من سدادات تصريف الزيت: ملاحظة
3. بعد الانتهاء من تصريف الزيت، قم بتركيب سداة تصريف الزيت وارتبطها بإحكام (F، الشكل 11).

إضافة الزيت

- تحقق من استواء وضع المحرك.
- نظف منطقة تعبئة الزيت من أية مخلفات.
- للتعرف على سعة الزيت **المواصفات** راجع قسم

غطاء فتحة إضافة الزيت، إذا كان المحرك مجهزاً به

1. قم بإزالة غطاء فتحة إضافة الزيت (H، الشكل 11).
2. صُب الزيت ببطء داخل فتحة إضافة الزيت في المحرك (C، الشكل 11). لا تملأ الزيت بشكل زائد عن الحد.
3. ركب غطاء فتحة إضافة الزيت وأحكام ربطها (H، 11).
4. قم بتوصيل سلك شمعة الإشعال (D، الشكل 10) بشمعة الإشعال (E).

عصا قياس الزيت القصيرة، إذا كان المحرك مجهزاً بها

1. قم بإخراج عصا قياس مستوى الزيت (A، الشكل 11) وامسحها بقطعة قماش نظيفة.
2. صُب الزيت ببطء داخل فتحة تعبئة الزيت في المحرك (C، الشكل 11). لا تملأ الزيت بشكل زائد عن الحد.
3. ركب عصا القياس (A، الشكل 11). لا تقم بلغها أو إحكام ربطها. قم بإخراجها مرة أخرى وتفقد مستوى الزيت. يجب أن يكون الزيت عند قمة مؤشر الامتلاء (B) الموجود على عصا القياس.
4. أعد تركيب عصا القياس (A، الشكل 11) وأحكام ربطها.
5. قم بتوصيل سلك شمعة الإشعال (D، الشكل 10) بشمعة الإشعال (E).

عصا قياس الزيت الطويلة، إذا كان المحرك مجهزاً بها

1. قم بإخراج عصا قياس مستوى الزيت (A، الشكل 12) وامسحها بقطعة قماش نظيفة.
2. صُب الزيت ببطء داخل فتحة تعبئة الزيت (C، الشكل 12). لا تتجاوز الحد المسموح به من الزيت. بعد إضافة الزيت، انتظر دقيقة واحدة ثم عاود فحص مستوى الزيت.
3. أعد تركيب عصا القياس وأحكام ربطها (A، 12).
4. قم بإخراجها مرة أخرى وتفقد مستوى الزيت. يجب أن يكون الزيت عند قمة مؤشر الامتلاء (B، الشكل 12) الموجود على عصا القياس.
5. أعد تركيب عصا القياس وأحكام ربطها (A، 12).
6. قم بتوصيل سلك شمعة الإشعال (D، الشكل 10) بشمعة الإشعال (E).

تغيير زيت خفض السرعة

انظر الشكل: 13، 14

6:1 خفض السرعة (الشكل 13)

إذا كان المحرك مزوداً بوحدة خفض السرعة 6:1، فيمكن إجراء الخدمة على النحو التالي:

1. قم بفك سداة فتحة إضافة الزيت (A، الشكل 13) وسداة فتحة مستوى الزيت (B).
2. قم بفك سداة تصريف الزيت (C، الشكل 13) وفرغ الزيت في حاوية مناسبة.
3. أعد تركيب سداة تصريف الزيت وأحكام ربطها (C، الشكل 13).
4. لتزويد الزيت، قم بصب زيت خفض السرعة (انظر قسم **المواصفات**) في فتحة إضافة الزيت (D، الشكل 13). استمر في صب الزيت إلى أن ينساب الزيت خارجاً من فتحة مستوى الزيت (E).
5. أعد تركيب سداة فتحة مستوى الزيت وأحكام ربطها (B، 13).
6. أعد تركيب سداة فتحة إضافة الزيت وأحكام ربطها (A، 13).

ويجب تركيبها أعلى غطاء (F) ثقب تنفيس (A، الشكل 13) يوجد في سداة فتحة إضافة الزيت: ملاحظة صندوق التروس كما هو مبين

2:1 خفض السرعة (الشكل 14)

لا تتطلب وحدة خفض السرعة (G 2:1، الشكل 14) تغيير الزيت.

صيانة فلتر الهواء

انظر الشكل: 15، 16، 17

يعتبر الوقود والأبخرة المتصاعدة منه مواد قابلة للاشتعال والانفجار.

يمكن أن يتسبب نشوب حريق، أو وقوع انفجار في التعرض لحروق شديدة، أو قد يؤدي إلى الوفاة.

- تبدأ تشغيل المحرك مطلقاً في حالة إزالة مجموعة منقي الهواء (إذا كان المحرك مجهزاً بها)، أو فلتر الهواء (إذا كان المحرك مجهزاً به).

إشعار لا تستخدم الهواء المضغوط، أو المذيبات لتنظيف الفلتر. فالهواء المضغوط يمكن أن يتلف الفلتر والمذيبات يمكن أن تؤدي إلى تفكيكه.

راجع **جدول الصيانة** للوقوف على متطلبات الصيانة.

تستخدم موديلات عديدة فلاتر مصنوعة من الإسفنج أو الورق. وقد تحتوي بعض الموديلات على منقي هواء أولي اختياري يمكن غسله وإعادة استخدامه. فإرن الرسومات التوضيحية في هذا الدليل مع نوع الفلتر المركب على المحرك الخاص بك، وقم بإجراء أعمال الصيانة تبعاً لما يلي.

فلتر الهواء الورقي

1. قم بفك قطعة (قطع) التثبيت (A، الشكل 15، 16).
2. قم بإزالة الغطاء (B، الشكل 15، 16).
3. قم بإزالة منقي الهواء الأولي (C، الشكل 15، 16)، إذا كان المحرك مجهزاً به، من الفلتر (D).
4. لكي تزيل المخلفات، اطرق الفلتر (D، الشكل 15، 16) برفق قبالة سطح صلب. إذا كان الفلتر شديد الانساخ، استبدله بأخر جديد.
5. اغسل منقي الهواء الأولي (C، الشكل 15، 16)، إذا كان المحرك مجهزاً به، في مطهر سائل وماء. دع منقي الهواء الأولي ليحفظ تماماً بفعل الهواء. لا تقم بتزيت منقي الهواء الأولي.
6. قم بتجميع منقي الهواء الأولي الجاف (C، الشكل 15، 16). إذا كان المحرك مجهزاً به، إلى الفلتر (D) بحيث تكون حافة (G) منقي الهواء الأولي على قاعدة طيات المرشح.
7. قم بتركيب الفلتر (D، الشكل 15، 16).
8. بالنسبة للموديلات المجهزة بفلتر الهواء الموضح في الشكل 15، ركب عروات الغطاء (E) في الفتحات (F).
9. ركب الغطاء (B، الشكل 15، 16) وأمنه بقطعة (قطع) التثبيت (A).

فلتر الهواء الورقي

1. قم بفك قطعة (قطع) التثبيت (A، الشكل 17).
2. قم بإزالة الغطاء (B، الشكل 17).
3. قم بإزالة منقي الهواء الأولي (C، الشكل 17)، إذا كان المحرك مجهزاً به، من الفلتر (D).
4. ولكن تزيل المخلفات، اطرق الفلتر (D، الشكل 17) برفق قبالة سطح صلب. إذا كان الفلتر شديد الانساخ، استبدله بأخر جديد.
5. قم بإزالة منقي الهواء الأولي (C، الشكل 17)، إذا كان المحرك مجهزاً به، من الفلتر (D).
6. اغسل منقي الهواء الأولي (C، الشكل 17)، إذا كان المحرك مجهزاً به، في مطهر سائل وماء. دع منقي الهواء الأولي ليحفظ تماماً بفعل الهواء. لا تقم بتزيت منقي الهواء الأولي.
7. قم بتجميع منقي الهواء الأولي (C، الشكل 17)، إذا كان المحرك مجهزاً به، إلى الفلتر (D).
8. ركب الفلتر (D، الشكل 17) ومنقي الهواء الأولي (C) على قاعدة فلتر الهواء (E) وعلى مسمار التركيب (F). تأكد من تثبيت الفلتر على القاعدة بإحكام.
9. ركب غطاء فلتر الهواء (B، الشكل 17) وأمنه بقطعة (قطع) التثبيت (A). تأكد من إحكام ربط قطعة (قطع) التثبيت.

صيانة نظام الوقود

انظر الشكل: 18، 19



يعتبر الوقود والأبخرة المتصاعدة منه مواد قابلة للاشتعال والانفجار.

يمكن أن يتسبب نشوب حريق، أو وقوع انفجار في التعرض لحروق شديدة، أو قد يؤدي إلى الوفاة.

- أبق الوقود بعيداً عن مصدر الشرر، ومصادر اللهب المكشوفة، ومصايح الإضاءة الدليلية والحرارة، وما إلى ذلك من مصادر الاشتعال الأخرى.
- افحص أنابيب الوقود، والخزان، والغطاء بشكل متكرر للتأكد من عدم وجود أي تشققات، أو تسربات بها. واستبدلها إذا لزم الأمر.
- قبل تنظيف فلتر الوقود أو استبداله، قم بتفريغ خزان الوقود أو إغلاق صمام الوقود.
- في حالة انسكاب الوقود، انتظر حتى يتبخر قبل أن تبدأ تشغيل المحرك.
- يجب أن تكون قطع الغيار البديلة من نفس تصميم القطع الأصلية وأن تثبت في نفس موضعها.

استكشاف المشكلات وإصلاحها

للحصول على المساعدة، اتصل بالوكيل المحلي في منطقتك أو تفضل بزيارة الموقع الإلكتروني BRIGGSandSTRATTON.com أو اتصل على 1-800-233-3723 (في الولايات المتحدة الأمريكية).

المواصفات

فلتر الوقود، إذا كان المحرك مجهزًا به

1. قبل تنظيف فلتر الوقود أو استبداله (A، الشكل 18)، قم بتفريغ خزان الوقود أو إغلاق صمام الوقود. وذلك حتى لا يتسرب الوقود ويتسبب في حدوث حريق أو انفجار.
2. استخدم الكمامة للضغط على العروات (B، الشكل 18) الموجودة على المشابك (C)، ثم أزل المشابك بعيدًا عن فلتر الوقود (A). قم بتدوير وسحب خطوط الوقود (D) إلى خارج فلتر الوقود.
3. افحص خطوط الوقود (D، الشكل 18) لرصد أي تشققات أو تسريبات. واستبدلها إذا لزم الأمر.
4. استبدل فلتر الوقود (A، الشكل 18) بفلتر آخر أصلي.
5. أحكم ربط خطوط الوقود (D، الشكل 18) باستخدام المشابك (C) كما هو موضح.

مصفاة الوقود، إذا كان المحرك مجهزًا به

1. قم بإزالة غطاء فتحة الوقود (A، الشكل 19).
2. قم بفك مصفاة الوقود (B، الشكل 19).
3. إذا كنت مصفاة الوقود منسوخة، نظفها أو استبدلها. إذا قمت باستبدال مصفاة الوقود، تأكد من استبدالها بأخرى أصلية.

صيانة نظام التبريد



تنج حرارة عن تشغيل المحركات. وتصبح أجزاء المحرك، وبخاصة كاتم صوت المحرك، ساخنة للغاية. مما قد يؤدي إلى الإصابة بحروق حرارية بالغة عند ملامسة تلك الأجزاء.

ويمكن أن تشتعل المخلفات القابلة للاشتعال، مثل الأوراق الجافة، أو العشب، أو الأغصان المقطوعة الجافة، أو غيرها.

- دع كاتم صوت المحرك، وأسطوانة المحرك، والمراوح تبرد قبل لمسها.
- قم بإزالة المخلفات المتراكمة من منطقة كاتم صوت المحرك ومنطقة الأسطوانة.

إشعار لا تستخدم الماء لتنظيف المحرك. فالماء يمكن أن يُلوث نظام الوقود. استخدم فرشاة أو قطعة قماش جافة لتنظيف المحرك.

هذا المحرك يتم تبريده بالهواء. لذا، فإن الأتربة أو المخلفات يمكنها أن تقيد تدفق الهواء، وقد يؤدي ذلك إلى ارتفاع درجة حرارة المحرك وبالتالي انخفاض مستوى الأداء، وقصر عمر المحرك.

1. استخدم فرشاة أو قطعة قماش جافة لإزالة المخلفات من شبكة سحب الهواء.
2. أبقِ الوصلات، والزنبركات، ومفاتيح التحكم نظيفة.
3. أبقِ المنطقة المحيطة بكام صوم المحرك، إذا كان المحرك مجهزًا به، وكذا المنطقة الموجودة خلفه خالية من أي مخلفات قابلة للاشتعال.
4. تأكد أن زعانف مبرد الزيت، إذا كان المحرك مجهزًا به، خالية من الأتربة والمخلفات.

بعد فترة من الوقت، يمكن أن تتراكم المخلفات في زعانف تبريد الأسطوانة مسببة في ارتفاع درجة حرارة المحرك. ولا يمكن إزالة هذه المخلفات دون تفكيك أجزاء من المحرك. برجاء زيارة وكيل الخدمة المعتمد لدى Briggs & Stratton لفحص وتنظيف نظام تبريد الهواء على النحو الموصى به في جدول الصيانة.

التخزين



الوقود والأبخرة المتصاعدة منه مواد قابلة للاشتعال والانفجار بشدة.

يمكن أن يتسبب نشوب حريق أو وقوع انفجار في التعرض لحروق شديدة أو الوفاة.

عند تخزين الوقود أو المَعَدَّات مع وجود وقود في الخزان

- تُخزَّن بعيدًا عن الأفران، أو المواقد، أو سخانات المياه، أو أي أجهزة مزودة بمصابيح دليبية، أو أي مصادر اشتعال أخرى إذ أنها قد تؤدي إلى اشتعال أبخرة الوقود.

نظام الوقود

انظر الشكل: 20

خزن المحرك في وضع مستو (وضع التشغيل العادي). املا خزان الوقود (A، الشكل 20) بالوقود. لكي يتيح إمكانية تمدد الوقود، لا تفرط في الملء بما يتجاوز رتبة خزان الوقود (B).

يمكن أن يفسد الوقود في حالة تخزينه لمدة تتجاوز 30 يومًا. ويؤدي استخدام الوقود القديم إلى تكوّن ترسبات حمضية وعضوية داخل نظام الوقود، أو بداخل أجزاء المكين الأساسية. للحفاظ على حيوية الوقود، استخدم التركيبة المتطورة لمعالجة وثبيت الوقود من Briggs & Stratton متوافرة في كل الأماكن التي يتم فيها بيع قطع غيار Briggs & Stratton الأصلية.

لا يلزم تصريف البنزين من المحرك في حالة إضافة مثبت الوقود حسب التعليمات الخاصة بذلك. قم بتشغيل المحرك لمدة دقيقتين لتدوير مثبت الوقود داخل نظام الوقود بالكامل قبل التخزين.

في حالة عدم إضافة مثبت الوقود إلى البنزين الموجود بداخل المحرك، فيجب تصريفه داخل الحاوية المخصصة لذلك. قم بتشغيل المحرك حتى يتوقف بسبب نقص الوقود. يوصى باستخدام مثبت الوقود في حاوية التخزين للحفاظ على حالة الوقود.

الموديل: 120000

الإزاحة	cc 205 ci 12.48
التجويف	(mm 65,28) in 2.688
الشوط	(mm 55,88) in 2.200
سعة الزيت	(L 54 - ,59,) oz 18 - 20
نوع زيت خفض السرعة	80W-90
سعة زيت خفض السرعة	(L 0,12) oz 4
فجوة شمعة الإشعال	(mm 76,) in 030.
عزم شمعة الإشعال	(Nm 20) lb-in 180
فجوة هواء عضو الإنتاج	(mm 25 - ,36,) in 010 - .014.
خلوص صمام السحب	(mm 10 - ,15,) in 004 - .006.
خلوص صمام العادم	(mm 23 - ,28,) in 009 - .011.

الموديل: 150000

الإزاحة	cc 250 ci 15.24
التجويف	(mm 75,44) in 2.970
الشوط	(mm 55,88) in 2.200
سعة الزيت	(L 54 - ,59,) oz 18 - 20
نوع زيت خفض السرعة	80W-90
سعة زيت خفض السرعة	(L 0,12) oz 4
فجوة شمعة الإشعال	(mm 76,) in 030.
عزم شمعة الإشعال	(Nm 20) lb-in 180
فجوة هواء عضو الإنتاج	(mm 25 - ,36,) in 010 - .014.
خلوص صمام السحب	(mm 10 - ,15,) in 004 - .006.
خلوص صمام العادم	(mm 23 - ,28,) in 009 - .011.

الموديل: 200000

الإزاحة	cc 305 ci 15.63
التجويف	(mm 79,24) in 3.120
الشوط	(mm 61,93) in 2.438
سعة الزيت	(L 77 - ,83,) oz 26 - 28
نوع زيت خفض السرعة	SAE 30
سعة زيت خفض السرعة	(L 35,) oz 12
فجوة شمعة الإشعال	(mm 76,) in 030.
عزم شمعة الإشعال	(Nm 20) lb-in 180
فجوة هواء عضو الإنتاج	(mm 20 - ,30,) in 008 - .012.
خلوص صمام السحب	(mm 10 - ,15,) in 004 - .006.
خلوص صمام العادم	(mm 10 - ,15,) in 004 - .006.

الموديل: 210000

الإزاحة	cc 342 ci 20.85
التجويف	(mm 83,81) in 3.300
الشوط	(mm 61,93) in 2.438
سعة الزيت	(L 77 - ,83,) oz 26 - 28
نوع زيت خفض السرعة	SAE 30
سعة زيت خفض السرعة	(L 35,) oz 12
فجوة شمعة الإشعال	(mm 76,) in 030.

الموديل: 210000	
عزم شمعة الإشعال	(Nm 20) lb-in 180
فجوة هواء عضو الإنتاج	(mm 20 - ,30.) in 008 - .012.
خلوص صمام السحب	(mm 10 - ,15.) in 004 - .006.
خلوص صمام العادم	(mm 10 - ,15.) in 004 - .006.

تقل قوة المحرك بنسبة 3.5% لكل 1000 قدم (300 متر) فوق مستوى سطح البحر، وبنسبة 1% لكل 10 درجات فهرنهايت (5.6 مئوية) أعلى من 77 درجة فهرنهايت (25 مئوية). ويعمل المحرك بشكل مرض عند ضبطه بزوايا تصل إلى 15 درجة. راجع دليل مشغل المعدة للتعرف على حدود التشغيل الآمنة المسموح بها عند السير على المنحدرات.

قطع الغيار - الموديل: 210000, 200000, 150000, 120000	
رقم القطعة	قطعة الغيار
491588, 5043	فلتر الهواء المسطح
493537, 5064	منقي الهواء الأولي لفلتر الهواء المسطح
697029, 5059	فلتر الهواء البيضاوي (الموديلات 120000, 150000)
273356	منقي الهواء الأولي لفلتر الهواء البيضاوي (الموديلات 120000, 150000)
695302	فلتر الهواء البيضاوي (الموديلات 200000, 210000)
695303	منقي الهواء الأولي لفلتر الهواء البيضاوي (الموديلات 200000, 210000)
694485	فلتر الوقود
100117, 100120	التركيب المتطورة لمعالجة وتثبيت الوقود
491055	شمعة الإشعال المقاومة
5066	شمعة الإشعال طويلة العمر المصنوعة من البلاتين
89838, 5023	مفتاح ربط شمعة الإشعال
19368	أداة اختبار شمعة الإشعال

نوصي بأن تقوم بزيارة أي وكيل معتمد لدى Briggs & Stratton لإجراء جميع أعمال الصيانة والخدمة للمحرك وجميع أجزائه.

تقديرات الطاقة: تقدير الطاقة الكلية لموديلات محركات البنزين الفردية مشار إليه في الملصق الموجود على المحرك وفقاً لـ SAE (جمعية مهندسي السيارات) رقم J1940 إجراء تقدير الطاقة والعزم للمحركات الصغيرة، وهو مقدر وفقاً للإجراء SAE J1995. وتُستمد قيم العزم عند دوران المحرك بسرعة 2600 لفة/دقيقة بالنسبة للمحركات المذكور "عدد اللفات في الدقيقة" على الملصقات خاصتها، وعند 3060 لفة/دقيقة بالنسبة لكافة المحركات الأخرى؛ فيما تُستمد قيم القوة الحصانية عند 3600 لفة/دقيقة. يمكنك الاطلاع على منحنيات الطاقة الكلية على الموقع www.BRIGGSandSTRATTON.COM. تُستمد قيم الطاقة الصافية في وجود منقي الهواء والعدم، فيما تُجمع قيم الطاقة الكلية دون تركيب هذه الملحقات. وتكون الطاقة الكلية الفعلية للمحرك أعلى من الطاقة الصافية له، وتُتأثر بعدة عوامل من بينها: ظروف التشغيل المحيطة والتفاوت الموجود بين محرك وآخر، وبالنظر إلى التنوع الكبير في المنتجات التي تستخدم معها المحركات، فإن محرك البنزين قد لا يعمل بطاقته الكلية المقدره عند استخدامه مع معدة طاقة معينة. ويحدث هذا الاختلاف بسبب العديد من العوامل والتي تشمل، على سبيل المثال لا الحصر، مكونات المحرك المتنوعة (منقي الهواء، والعدم، والشحن، والتبريد، والكهربائين، ومضخة الوقود، وغير ذلك)، والقيود المفروضة على الاستخدام، وظروف التشغيل المحيطة (درجة الحرارة، والرطوبة، والارتفاع عن سطح الأرض)، والتفاوت الموجود بين محرك وآخر. ونظراً للقيود المتعلقة بالتصنيع والسعة، فقد تطرح Briggs & Stratton محركاً يتمتع بطاقة أعلى لهذه الفئة من المحركات.

الضمان

ضمان Briggs & Stratton محرك

ساري اعتباراً من يناير 2017

ضمان محدود

تضمن Briggs & Stratton أنها، خلال فترة الضمان المحددة أدناه، ستقوم باصلاح أو استبدال أي جزء به عيوب في الخامة أو التصنيع أو كليهما مجاناً. ويتحمل المشتري رسوم نقل المنتج الذي يتم إرساله للإصلاح أو الاستبدال بموجب هذا الضمان. يسري هذا الضمان وفقاً للفترة الزمنية والشروط المنصوص عليها أدناه وبعد خاضعاً لها. للحصول على خدمة الضمان، ابحث عن أقرب وكيل خدمة معتمد في خريطة تحديد عناوين الوكلاء على BRIGGSandSTRATTON.COM. يجب على المشتري أن يتصل بوكيل الصيانة المعتمد ثم يقدم المنتج بوكيل الصيانة المعتمد لفحصه واختباره.

لا تقدم الشركة أي ضمان صريح آخر. الضمانات الضمنية بما في ذلك تلك الخاصة بالبروج والصلاحية لغرض يستثنى من تلك معين محدد وتقتصر على فترة الضمان المدرجة أدناه أو حسب النطاق الذي يحدده القانون المسؤولية الأضرار العارضة أو التابعة التي يسمح القانون باستثنائها. بعض الولايات أو الدول لا تسمح بوضع قيود على طول فترة الضمان الضمنية، وبعض الولايات أو الدول لا تسمح بالاستثناء أو وضع حد للأضرار العارضة أو الاستثنائية، ولهذا فقد لا تنطبق عليك القيود والاستثناءات المذكورة أعلاه. يمنحك هذا الضمان 4. حقوقاً قانونية محددة، وقد تكون لديك حقوقاً أخرى تختلف تبعاً للولاية أو الدولة

شروط الضمان القياسية 1, 2, 3

المتج/اسم العلامة التجارية	الاستخدام التجاري	الاستخدام المنزلي
----------------------------	-------------------	-------------------

شروط الضمان القياسية 1, 2, 3

شهرًا	36 شهرًا	شهرًا	24 شهرًا	شهرًا	24 شهرًا
36 شهرًا	السلسلة التجارية Vanguard™	المحركات المزودة بجلب Dura-Bore™ المصنوعة من الحديد الصلب	جميع المحركات الأخرى	36 شهرًا	24 شهرًا

1 فيما يلي شروط الضمان القياسية الخاصة بنا، ولكن قد تظهر أحياناً تغطية ضمان إضافية لم تكن محددة في وقت النشر. وللحصول على قائمة بشروط الضمان المتعلقة بمحركك، قم بزيارة الموقع BRIGGSandSTRATTON.COM. أو اتصل بوكيل الخدمة المعتمد من Briggs & Stratton في منطقتك.

2 لا ينطبق هذا الضمان على المحركات الموجودة في المعدات المستخدمة في توليد الكهرباء للأغراض الأساسية بدلاً من المرفق العام أو المولدات الاحتياطية المستخدمة في الأغراض التجارية. ولا تعد المحركات المستخدمة في السباقات التافسية، أو في مضامير السباق التجارية أو الإيجارية مشمولة في هذا الضمان.

3 محركات Vanguard المركبة في مولدات الكهرباء الاحتياطية: 24 شهرًا لاستخدام المستهلك، لا ضمان للاستخدام التجاري. محركات Vanguard المركبة في مركبات الخدمة: 24 شهرًا لاستخدام المستهلك، و24 شهرًا للاستخدام التجاري. السلسلة التجارية بتاريخ تصنيع يسبق يوليو 2017، 24 شهرًا لاستخدام المستهلك، 24 شهرًا للاستخدام التجاري.

4 في أستراليا - تاتيك بضاعتنا مزودة بضمانات لا يمكن أن تستثنى بموجب قانون المستهلك الأسترالي. فيحق لك استبدال المحرك أو استرداد أموالك في حالة وجود عطل جوهري، أو الحصول على تعويض عما سوى ذلك من خسائر أو أضرار متوقعة على نحو معقول. كما يحق لك إصلاح البضائع أو استبدالها إذا لم تكن جودة البضائع مقبولة وإذا كان العطل لا يرقى لأن يكون عطلاً جوهرياً. للحصول على خدمة الضمان، ابحث عن "وكيل الخدمة المعتمد" الأقرب إليك على خريطة تحديد مواقع الوكلاء المتوفرة على BRIGGSandSTRATTON.COM أو اتصل على 1300 274 447، أو أرسل رسالة عبر البريد الإلكتروني إلى salesenquires@briggsandstratton.com.au. أو خطاباً كتابياً على العنوان التالي: Briggs & Stratton Australia Pty Ltd, 1 Moorebank Avenue, Moorebank, NSW, أستراليا، 2170.

تبدأ فترة الضمان في تاريخ الشراء الأصلي من جانب مستهلك التجزئة الأول أو المستهلك التجاري. "استخدام المستهلك" يعني الاستخدام الشخصي السكني المنزلي من جانب مستهلك التجزئة. "الاستخدام التجاري" يعني جميع أوجه الاستهلاك الأخرى، بما في ذلك الاستخدام في الأغراض التجارية أو التي تُدر دخلاً أو لأغراض التاجر. وبمجرد استخدام المحرك بطريقة تجارية، يتم اعتباره بعد ذلك محركاً مستخدماً بطريقة تجارية لأغراض خاصة بهذا الضمان.

ولكن يُرجى الاحتفاظ بإيصال الشراء. فإذا لم تقدم دليلاً على تاريخ الشراء الأولي عند طلب خدمة الضمان، فسيُعد تاريخ صناعة المنتج بمثابة تاريخ بداية فترة الضمان. لا يعد تسجيل المنتج أمراً ضرورياً في الحصول على خدمة ضمان منتجات Briggs & Stratton.

نبذة عن الضمان

يغطي هذا الضمان المحدود المشكلات المتعلقة بالمحرك الناجمة عن المواد المعيبة وأو عملية التصنيع وحسب، وليس استبدال المعدة التي قد يتم تثبيت المحرك بها أو استرداد ثمنها. ولا يشمل هذا الضمان عمليات الصيانة أو الموائمة أو الضبط، أو البلى الناتج عن الاستعمال العادي. وينفس الطريقة، يبطل الضمان في حالة إدخال أي تعديل أو تغيير في المحرك، أو في حالة إزالة الرقم التسلسلي للمحرك أو طمسها. ولا يغطي هذا الضمان تلفيات المحرك أو مشكلات الأداء الناجمة عن:

1. استخدام قطع غيار غير معتمدة من Briggs & Stratton.
2. تشغيل المحرك باستخدام زيت تزييق غير كافٍ أو ملوث أو من درجة غير صحيحة.
3. استخدام وقود ملوث أو متهيبة صلاحيته، أو بنزين مضاف إليه إيثانول بنسبة تتجاوز 10%، أو استخدام وقود بديل مثل الغاز الطبيعي المسال أو غاز البترول المسال والذي لم يتم تصميم/تصنيع محركات Briggs & Stratton لتعمل به.
4. الأثرية التي تدخل المحرك بسبب الصيانة غير الصحيحة لمنقي الهواء أو التجميع الخاطئ له.
5. الاصطدام بشيء صلب مزود بشفرات قاطعة كذلك الخاصة بجزازات العشب الدوارة، أو عدم إحكام ربط الموانئ التصلبي أو الدافع الميكانيكي أو غير ذلك من الأدوات المقرونة بعمود مرفقي أو تركيبها بشكل غير صحيح، أو الشد الزائد للسبيل على شكل V.
6. قطع الغيار، أو مجموعات قطع الغيار المرفقة مثل أجهزة القابض، أو أجهزة نقل الحركة، أو عناصر التحكم في المعدة، وغيرها والتي لم يتم تصنيعها بمعرفة Briggs & Stratton.
7. درجة الحرارة الزائدة التي تحدث بسبب قصاصات العشب، أو الأثرية، أو المخلفات، أو أعشاش القوارض والتي تسد أو تعوق حركة مراوح التبريد، أو منطقة الحدافة، أو تلف الحادث بسبب تشغيل المحرك دون توفر تهوية كافية.
8. الاهتزاز الزائد عن الحد بسبب السرعة الزائدة، أو التثبيت غير المحكم للمحرك، أو شفرات القطع أو الدافعات الميكانيكية المفكوكة أو مختلة الاتزان، أو الاقتران غير الصحيح بين مكونات المعدة والعمود المرفقي.
9. سوء الاستخدام، أو قلة الصيانة الدورية، أو الشحن أو الحمل أو التخزين الخاطئ للمعدة، أو تركيب المحرك بطريقة خاطئة.

خدمة الضمان متاحة فقط من خلال وكلاء الخدمة المعتمدين من Briggs & Stratton. حدد موقع أقرب "وكيل خدمة معتمد" موجود على خريطة تحديد المواقع الخاصة بنا والمتوفرة على الموقع BRIGGSandSTRATTON.COM، أو من خلال الاتصال برقم 1-800-233-3723 (داخل الولايات المتحدة الأمريكية).

(80004537) (Rev. C)

Not for
Reproduction

Not for
Reproduction



Not for
Reproduction