



# Parts Manual

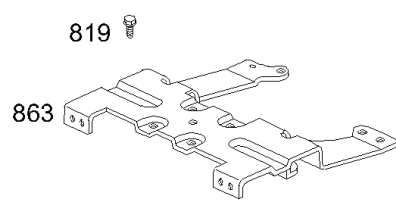
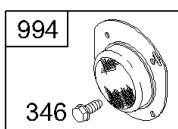
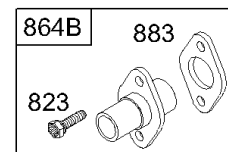
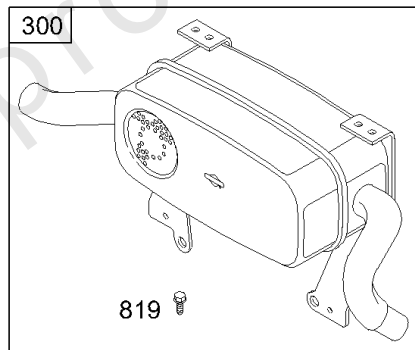
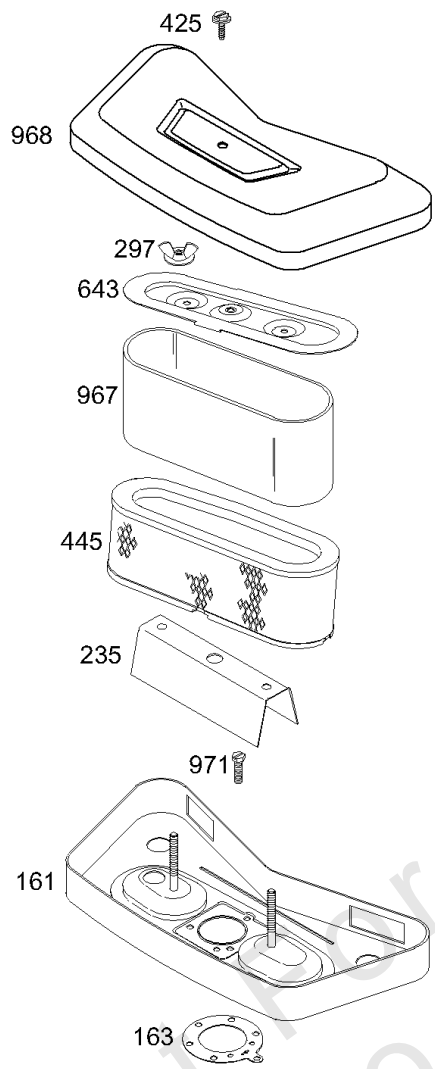
Mfg. No: 460777-2277-E1



---

| <b>Model Components</b>   | <b>Page</b> |
|---|-------------|
| Air Cleaner, Muffler. ....  | 4           |
| Alternator, Controls. ....  | 6           |
| Blower Housing/Shrouds. ....  | 10          |
| Cam, Crankshaft, Pistons, Valves. ....  | 12          |
| Carburetor 1, Kit/Gasket Sets - Carburetor 1, Kit/Gasket Sets - Fuel Pump 1. ....       | 16          |
| Carburetor 2, Kit/Gasket Sets - Carburetor 2, Kit/Gasket Sets - Fuel Pump 2. ....       | 20          |
| Crankcase Cover/Cylinder, Head, Kit/Gasket Sets - Engine, Kit/Gasket Sets - Valve. .... | 24          |
| Electric Starter. ....  | 28          |
| Flywheel. ....  | 30          |
| Oil. ....   | 32          |
| Replacement Engine - US & Canada. ....  | 34          |
| Sump. ....  | 35          |

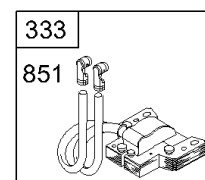
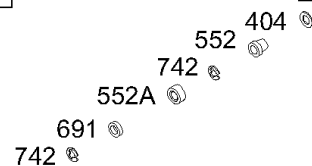
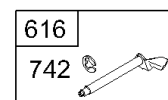
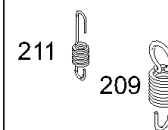
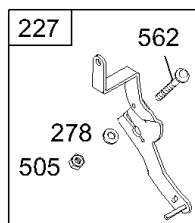
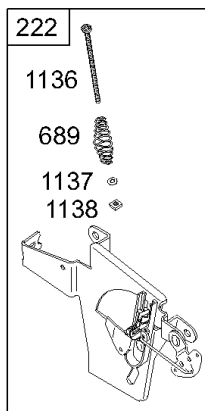
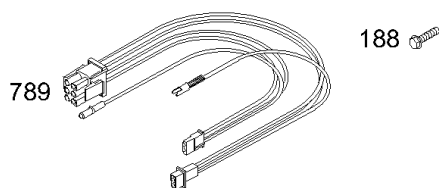
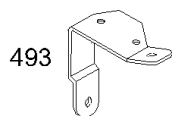
Not For  
Reproduction



## Air Cleaner, Muffler

| REF NO | PART NO | QTY | DESCRIPTION                                |
|--------|---------|-----|--|
| 161    | 691401  |     | BASE, Air Cleaner<br>-(Metal)              |
| 163    | 690273  |     | GASKET, Air Cleaner<br>-(Air Cleaner)      |
| 235    | 691206  |     | SHIELD, Fuel Spray                         |
| 297    | 691331  |     | NUT<br>-(Air Filter Retainer)              |
| 300    | 491319S |     | MUFFLER<br>-(Super Lo Tone)                |
| 346    | 690661  |     | SCREW<br>-(Spark Arrestor)                 |
| 425    | 691675  |     | SCREW<br>-(Air Cleaner Cover)              |
| 445    | 394019S |     | FILTER, A/C Cartridge                      |
| 643    | 496700  |     | RETAINER, Air Filter                       |
| 819    | 690297  |     | SCREW<br>-(Muffler Bracket)                |
| 823    | 691681  |     | SCREW<br>-(Muffler Adapter)                |
| 863    | 690444  |     | BRACKET, Muffler                           |
| 864B   | 691970  |     | ADAPTER, Muffler                           |
| 883    | 692282  |     | GASKET, Exhaust                            |
| 967    | 272490S |     | FILTER, Pre Cleaner                        |
| 968    | 691207  |     | COVER, Air Cleaner                         |
| 971    | 691100  |     | SCREW<br>-(Air Cleaner Base to Carburetor) |
| 994    | 392390  |     | ARRESTOR, Spark                            |

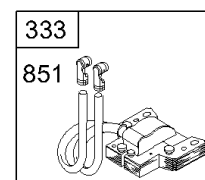
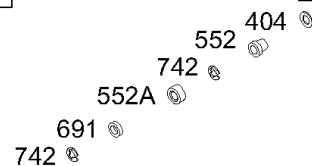
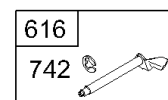
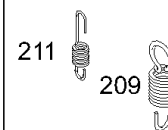
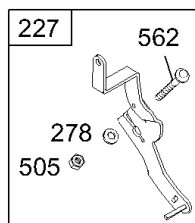
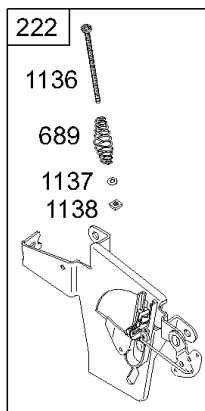
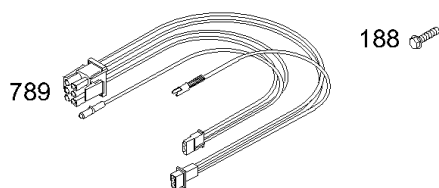
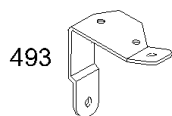
| AC ONLY   | DC ONLY | DUAL CIRCUIT | TRI CIRCUIT | 9 AMP        | 10 AMP     | 16 AMP |
|---|---------|--------------|-------------|--------------|------------|--------|
| 474   | 474A    | 474B         | 474C        | 474C         | 474D       | 474D   |
|   | 877A    | 877          | 877B        | 877B         | 877C       | 877C   |
| 578   | 578     | 878          | 878A        | 578          | 578        | 578    |
| <p><b>NOTE:</b> All stators use a No. 1119 mounting screw. </p> <p><b>NOTE:</b> The proper flywheel part number and/or the alternator magnet size will determine the alternator type or output. See repair instruction manual for additional information.</p> |         |              |             | 526A<br>501A | 526<br>501 |        |



## Alternator, Controls

| REF NO | PART NO | QTY | DESCRIPTION  |
|--------|---------|-----|--|
| 188    | 691003  |     | SCREW<br>-(Control Bracket)  |
| 205    | 690322  |     | SCREW<br>-(Bell Crank)   |
| 209    | 691273  |     | SPRING, Governor<br>-(White)   |
| 211    | 691807  |     | SPRING, Governed Idle  |
| 222    | 691366  |     | BRACKET, Control   |
| 227    | 690762  |     | LEVER, Governor Control  |
| 268    | 691025  |     | CASING, Control Wire<br>-(Cut To Required Length)  |
| 269    | 691026  |     | WIRE, Control<br>-(Cut To Required Length)   |
| 270    | 691027  |     | NUT<br>-(Control Wire Casing)  |
| 271    | 691028  |     | LEVER, Control   |
| 276C   | 691319  |     | WASHER, Sealing<br>-(Carburetor Plug)  |
| 278    | 692810  |     | WASHER<br>-(Governor Control Lever)  |
| 333    | 394891  |     | ARMATURE, Magneto<br>-(Magneton Ignition)  |
| 334    | 691061  |     | SCREW<br>-(Magneto Armature)   |
| 356    | 690807  |     | WIRE, Stop<br>-(1 Wire, 15-13/16 )(Snap Connect Insulated Female Blade Terminal,And Snap Connect Insulated Pin Socket) |
| 356B   | 691423  |     | WIRE, Stop<br>-(1 Wire, 10-3/4 )(2 Snap Connect Insulated Female Blade Terminals)                                      |
| 404    | 690442  |     | WASHER<br>-(Governor Crank)  |
| 474B   | 696459  |     | ALTERNATOR<br>-(Dual Circuit)  |
| 474D   | 696458  |     | ALTERNATOR<br>-(10 and 16 Amp Regulated)   |
| 474C   | 696457  |     | ALTERNATOR<br>-(5 and 9 Amp Regulated)   |
| 493    | 690416  |     | BRACKET-MOUNTING   |
| 501    | 691185  |     | REGULATOR<br>-(10 and 16 Amp Regulated)  |
| 505    | 691029  |     | NUT<br>-(Governor Control Lever)   |
| 526    | 690297  |     | SCREW<br>-(Regulator) (10-16 Amp Regulated)  |
| 552    | 690553  |     | BUSHING, Governor Crank  |
| 552A   | 690552  |     | BUSHING-GOV CRANK  |
| 562    | 690311  |     | BOLT<br>-(Governor Control Lever)  |
| 578    | 692306  |     | WIRE ASSEMBLY<br>-(1 Wire, 48-1/2" Long)(Snap Connect Female Pin Socket, And Bare WireEnd)                             |
| 616    | 491530  |     | CRANK, Governor  |
| 689    | 690555  |     | SPRING, Friction   |
| 691    | 690657  |     | SEAL, Governor Shaft   |
| 742    | 690328  |     | RETAINER, E Ring   |
| 789    | 695050  |     | HARNESS, Wiring<br>-(6 Pin Customer Conversion)  |
| 851    | 493880S |     | TERMINAL-SPARK PLUG  |
| 877    | 393456  |     | WIRE/CONNECTOR, Alternator<br>-(Dual Circuit)  |

| AC ONLY   | DC ONLY | DUAL CIRCUIT | TRI CIRCUIT | 9 AMP        | 10 AMP     | 16 AMP |
|---|---------|--------------|-------------|--------------|------------|--------|
| 474   | 474A    | 474B         | 474C        | 474C         | 474D       | 474D   |
|   | 877A    | 877          | 877B        | 877B         | 877C       | 877C   |
| 578   | 578     | 878          | 878A        | 578          | 578        | 578    |
| <p><b>NOTE:</b> All stators use a No. 1119 mounting screw. </p> <p><b>NOTE:</b> The proper flywheel part number and/or the alternator magnet size will determine the alternator type or output. See repair instruction manual for additional information.</p> |         |              |             | 526A<br>501A | 526<br>501 |        |

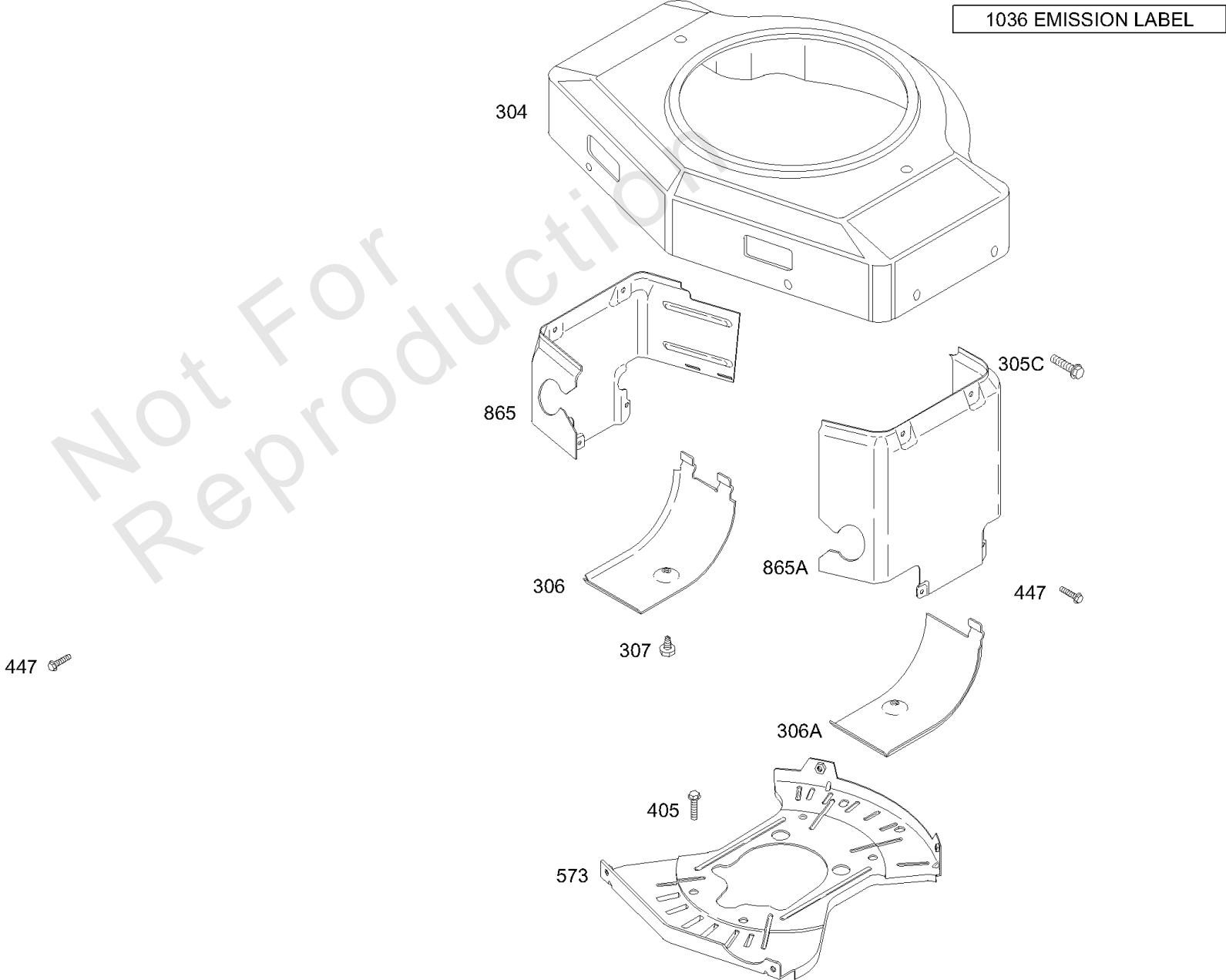




## Alternator, Controls

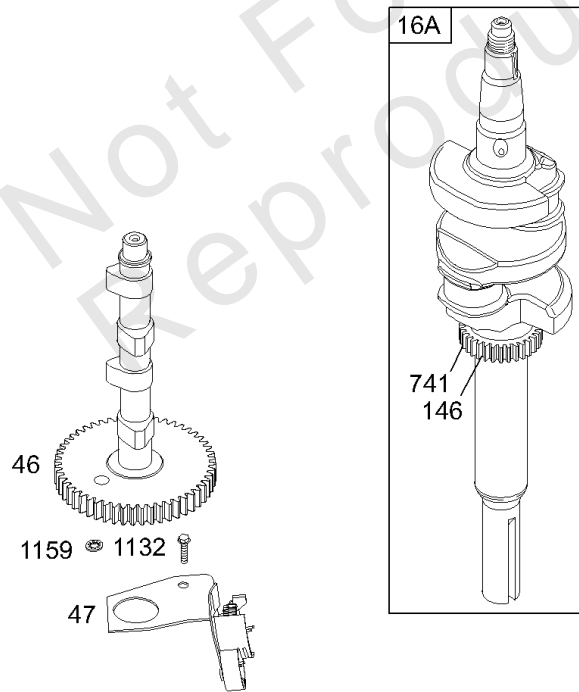
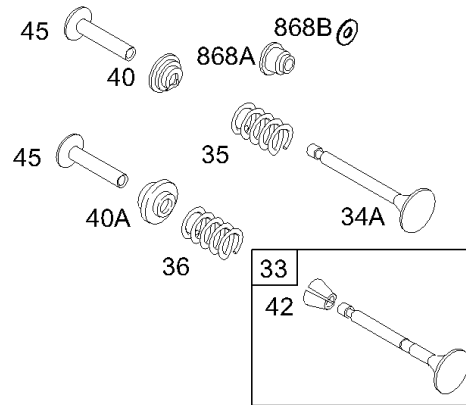
| REF NO | PART NO | QTY | DESCRIPTION  |
|--------|---------|-----|--|
| 877B   | 393537  |     | WIRE/CONNECTOR, Alternator<br>-(5 and 9 Amp Regulated)   |
| 877C   | 399916  |     | WIRE/CONN-ALTERNATOR<br>-(2 Wires, 7-53/64 )(2 Bare Wire Ends, And Insulated Snap Connect Male Pin Terminal)   |
| 878    | 691237  |     | HARNESS, Alternator<br>-(2 Wires, 48-1/2, And 48-1/2 )(Snap Connect Female Pin Terminal, And 2 Bare Wire Ends) |
| 1054   | 280275  |     | TIE, Cable   |
| 1119   | 691183  |     | SCREW<br>-(Alternator)   |
| 1136   | 690329  |     | SCREW<br>-(Control Bracket) (High Speed Control)   |
| 1137   | 690390  |     | WASHER<br>-(Control Bracket) (High Speed Control)  |
| 1138   | 690330  |     | NUT<br>-(Control Bracket) (High Speed Control)   |

Not For Reproduction

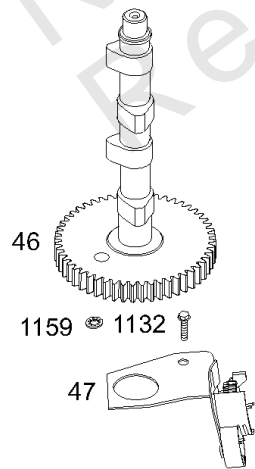
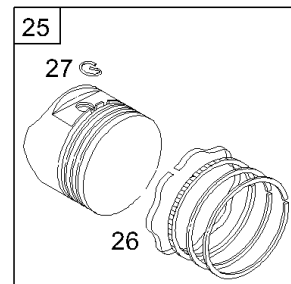
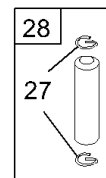
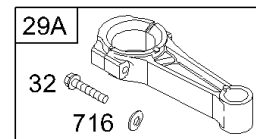


## Blower Housing/Shrouds

| REF NO | PART NO | QTY | DESCRIPTION   |
|--------|---------|-----|---|
| 304    | 691391  |     | HOUSING, Blower<br>-(Red)   |
| 305C   | 690297  |     | SCREW<br>-(Blower Housing)  |
| 306    | 690414  |     | SHIELD, Cylinder  |
| 306A   | 690435  |     | SHIELD, Cylinder  |
| 307    | 691003  |     | SCREW<br>-(Cylinder Shield)   |
| 405    | 690364  |     | SCREW<br>-(Back Plate)  |
| 447    | 690297  |     | SCREW<br>-(Air Guide Cover)   |
| 573    | 690764  |     | PLATE, Back<br>-Used Before Code Date 00101600  |
| 573    | 696040  |     | PLATE-BACK<br>-Used After Code Date 00101500  |
| 865    | 691196  |     | COVER-AIR GUIDE   |
| 865A   | 691197  |     | COVER-AIR GUIDE   |
| 1036   | 696779  |     | LABEL, Emissions<br>-Used After Code Date 01093000                                    |
| 1036   | 695702  |     | LABEL, Emissions<br>-Used After Code Date 00063000<br>-Used Before Code Date 01100100 |
| 1036   | 499381  |     | LABEL, Emissions<br>-Used Before Code Date 97052600                                   |
| 1036   | 499382  |     | LABEL, Emissions<br>-Used After Code Date 97052500<br>-Used Before Code Date 99010100 |
| 1036   | 694402  |     | LABEL, Emissions<br>-Used After Code Date 98123100<br>-Used Before Code Date 99100100 |
| 1036   | 694979  |     | LABEL, Emissions<br>-Used After Code Date 99093000<br>-Used Before Code Date 00070100 |

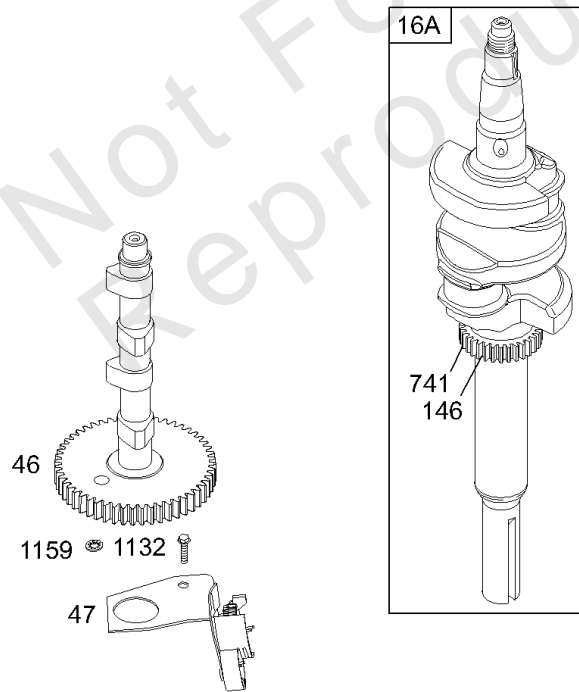
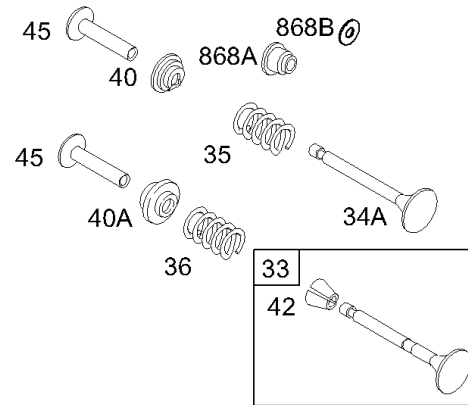


24

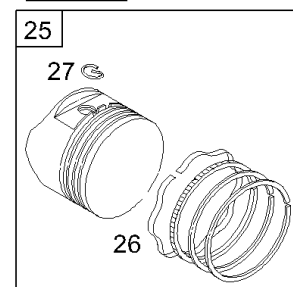
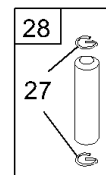
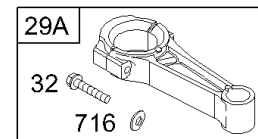


## Cam, Crankshaft, Pistons, Valves

| REF NO | PART NO | QTY | DESCRIPTION  |
|--------|---------|-----|--|
| 16A    | 690667  |     | CRANKSHAFT   |
| 24     | 222698S |     | KEY, Flywheel  |
| 25     | 498585  |     | PISTON ASSEMBLY<br>-(.010 Oversize)                                |
| 25     | 498586  |     | PISTON ASSEMBLY<br>-(.020 Oversize)                                |
| 25     | 498587  |     | PISTON ASSEMBLY<br>-(.030 Oversize)                                |
| 25     | 498584  |     | PISTON ASSEMBLY<br>-(Standard)                                     |
| 26     | 394962  |     | SET, Ring<br>-(.030 Oversize)                                      |
| 26     | 394959  |     | SET, Ring<br>-(Standard)   |
| 26     | 394960  |     | SET, Ring<br>-(.010 Oversize)                                      |
| 26     | 394961  |     | SET, Ring<br>-(.020 Oversize)                                      |
| 27     | 691299  |     | LOCK, Piston Pin<br>-Used After Code Date 96042900                 |
| 27     | 691792  |     | LOCK, Piston Pin<br>-Used Before Code Date 96043000                |
| 28     | 391286  |     | PIN, Piston<br>-(.005 Oversize)<br>-Used Before Code Date 96043000 |
| 28     | 498319  |     | PIN, Piston<br>-(Standard)<br>-Used After Code Date 96042900       |
| 28     | 498320  |     | PIN, Piston<br>-(.005 Oversize)<br>-Used After Code Date 96042900  |
| 28     | 299691  |     | PIN, Piston<br>-(Standard)<br>-Used Before Code Date 96043000      |
| 29A    | 498541  |     | ROD, Connecting<br>-(.020 Undersize)                               |
| 29A    | 498314  |     | ROD, Connecting<br>-(Standard)                                     |
| 32     | 691133  |     | SCREW<br>-(Connecting Rod)   |
| 33     | 691794  |     | VALVE, Exhaust   |
| 34A    | 691302  |     | VALVE, Intake  |
| 35     | 691605  |     | SPRING, Valve<br>-(Intake)   |
| 36     | 691597  |     | SPRING, Valve<br>-(Exhaust)  |
| 40     | 690656  |     | RETAINER, Valve<br>-(Intake)                                       |
| 40A    | 691939  |     | RETAINER-VALVE<br>-(Exhaust)                                       |
| 42     | 494553  |     | KEEPER, Valve<br>-(Exhaust)  |
| 45     | 691800  |     | TAPPET, Valve  |
| 46     | 691161  |     | CAMSHAFT   |
| 146    | 691639  |     | KEY, Woodruff  |
| 716    | 220863  |     | WASHER<br>-(Connecting Rod)  |
| 741    | 691285  |     | GEAR, Timing   |
| 868A   | 692036  |     | SEAL, Valve<br>-(Brown)  |



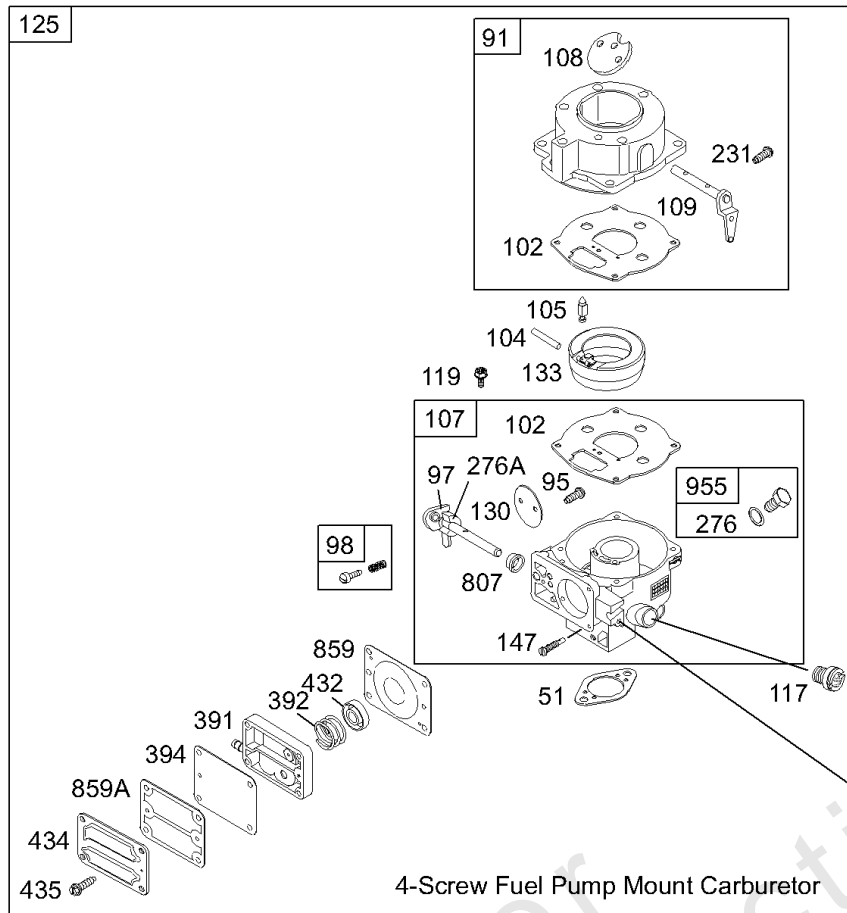
24



## Cam, Crankshaft, Pistons, Valves

| REF NO | PART NO | QTY | DESCRIPTION              |
|--------|---------|-----|--------------------------|
| 868B   | 691891  |     | SEAL, Valve              |
| 1132   | 690353  |     | SCREW<br>-(Oil Slinger)  |
| 1159   | 690286  |     | WASHER<br>-(Oil Slinger) |

Not For Reproduction



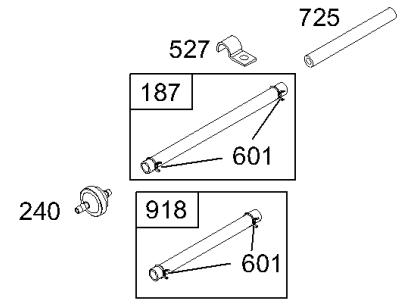
**Model 4607**

**Model 4617**

**Model 4627**

**Model 4637**

**SEE ADDITIONAL PAGES FOR MORE CARBURETOR INFORMATION**



| 121 CARBURETOR OVERHAUL KIT |      |
|-----------------------------|------|
| 51                          | 392  |
| 95                          | 394  |
| 102                         | 432  |
| 104                         | 807  |
| 105                         | 859  |
| 117                         | 859A |
| 147                         |      |
| 276                         |      |
| 276A                        |      |

| 861 FUEL PUMP KIT |  |
|-------------------|--|
| 392               |  |
| 394               |  |
| 432               |  |
| 859               |  |
| 859A              |  |

**Model 42A7**

**Model 42B7**

**Model 42D7**

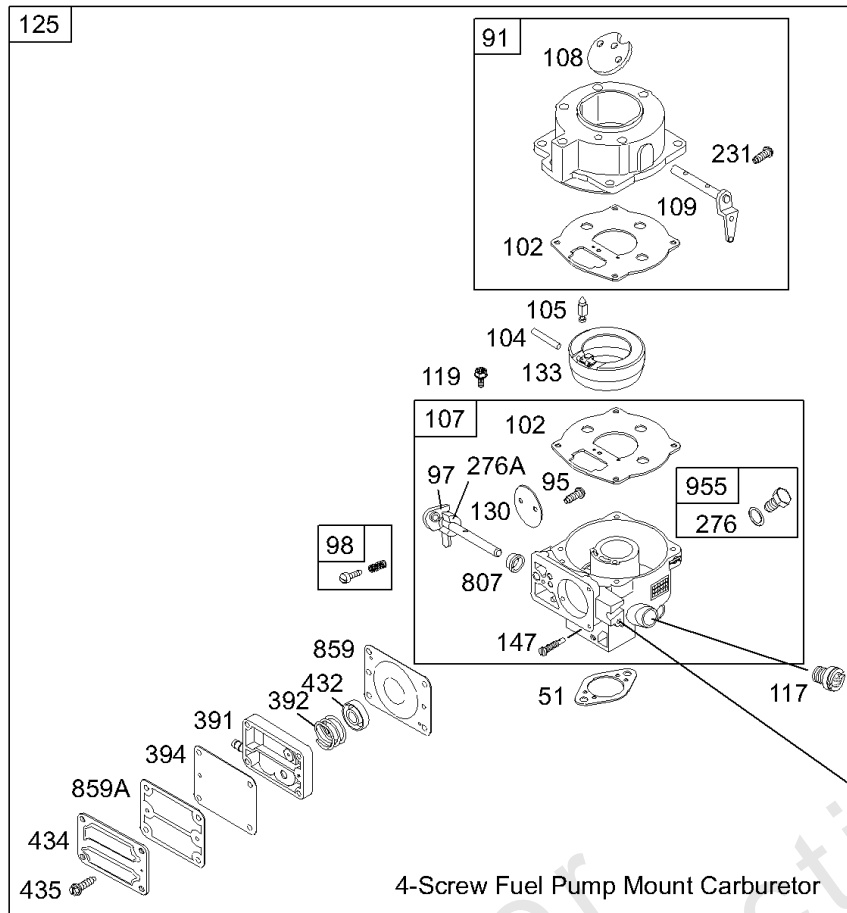
**Model 42E7**

**Model 4227**



## Carburetor 1, Kit/Gasket Sets - Carburetor 1, Kit/Gasket Sets - Fuel Pump 1

| REF NO | PART NO | QTY | DESCRIPTION  |
|--------|---------|-----|--|
| 51     | 692278  |     | GASKET, Intake   |
| 91     | 693483  |     | BODY, Upper Carburetor   |
| 95     | 690718  |     | SCREW<br>-(Throttle Valve)   |
| 97     | 693485  |     | SHAFT, Throttle  |
| 98     | 807923  |     | KIT, Idle Speed  |
| 102    | 693509  |     | GASKET, Carburetor Body  |
| 104    | 693506  |     | PIN-FLOAT HINGE  |
| 105    | 692078  |     | VALVE, Float Needle  |
| 107    | 693482  |     | BODY, Lower Carburetor   |
| 108    | 693505  |     | VALVE, Choke   |
| 109    | 693498  |     | SHAFT, Choke   |
| 117    | 693538  |     | JET, Main<br>-(Standard)   |
| 118    | 693500  |     | JET, Main<br>-(High Altitude)  |
| 119    | 690720  |     | SCREW<br>-(UPPER TO LOWER CARBURETOR BODY)                                 |
| 121    | 693501  |     | KIT, Carburetor Overhaul<br>-(Used On 4 Screw Fuel Pump Mount Carburetors) |
| 125    | 693479  |     | CARBURETOR<br>-(4 Screw Fuel Pump Mount)                                   |
| 130    | 693504  |     | VALVE, Throttle  |
| 133    | 693512  |     | FLOAT, Carburetor  |
| 147    | 693508  |     | JET, Pilot   |
| 187    | 296004  |     | LINE, Fuel<br>-(Cut To Required Length)                                    |
| 231    | 690718  |     | SCREW<br>-(Choke Valve)  |
| 240    | 394358S |     | FILTER, Fuel   |
| 267    | 690316  |     | SCREW<br>-(Casing Clamp)   |
| 276    | 693497  |     | WASHER, Sealing<br>-(Carburetor Plug)                                      |
| 276A   | 693510  |     | WASHER, Sealing<br>-(Foam)   |
| 391    | 693487  |     | BODY, Fuel Pump  |
| 392    | 693491  |     | SPRING, Pump Diaphragm   |
| 394    | 693489  |     | DIAPHRAGM, Carburetor  |
| 432    | 693492  |     | CAP, Spring  |
| 434    | 693493  |     | COVER, Diaphragm   |
| 435    | 693494  |     | SCREW<br>-(Diaphragm Cover)  |
| 527    | 690423  |     | CLAMP, Tube  |
| 601    | 95162S  |     | CLAMP, Hose<br>-(Zinc Plate)(Spring Wire)                                  |
| 725    | 280866  |     | SHIELD, Heat<br>-(20)  |
| 807    | 693511  |     | SPACER<br>-(Throttle)  |
| 859    | 693488  |     | GASKET, Carburetor Pump  |
| 859A   | 693490  |     | GASKET, Carburetor Pump  |
| 861    | 693502  |     | KIT, Fuel Pump<br>-(Used On 4 Screw Fuel Pump Mount Carburetors)           |
| 918    | 393815  |     | HOSE, Vacuum<br>-(Cylinder To Impulse Pump)(Cut to Required Length)        |



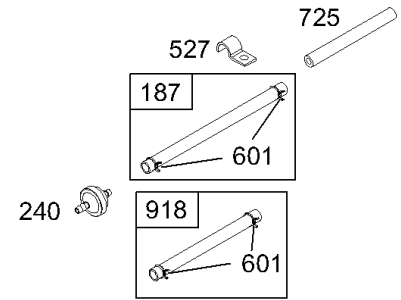
**Model 4607**

**Model 4617**

**Model 4627**

**Model 4637**

**SEE ADDITIONAL PAGES FOR MORE CARBURETOR INFORMATION**



**121 CARBURETOR OVERHAUL KIT**

- |      |      |
|------|------|
| 51   | 392  |
| 95   | 394  |
| 102  | 432  |
| 104  | 807  |
| 105  | 859  |
| 117  | 859A |
| 147  |      |
| 276  |      |
| 276A |      |

**861 FUEL PUMP KIT**

- |      |
|------|
| 392  |
| 394  |
| 432  |
| 859  |
| 859A |

**Model 42A7**

**Model 42B7**

**Model 42D7**

**Model 42E7**

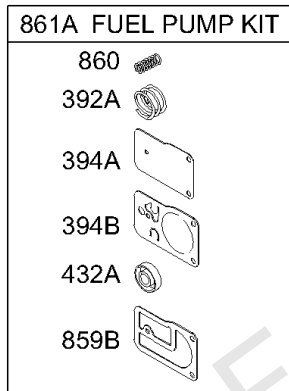
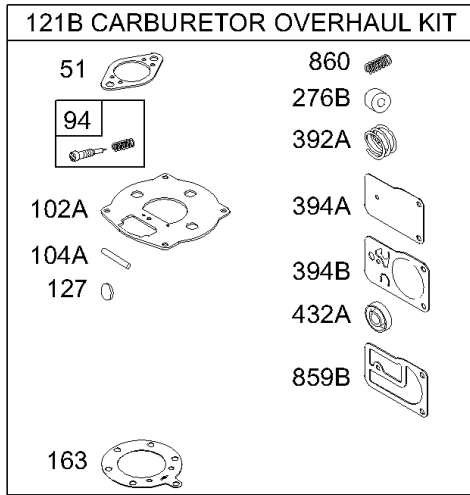
**Model 4227**

Not For Reproduction

## **Carburetor 1, Kit/Gasket Sets - Carburetor 1, Kit/Gasket Sets - Fuel Pump 1**

| REF NO | PART NO | QTY | DESCRIPTION                                      |
|--------|---------|-----|--|
| 947    | 693495  |     | SOLENOID, Fuel<br>-Used After Code Date 98091300 |
| 955    | 693513  |     | PLUG, Carburetor                                 |

Not For Reproduction



**Model 42A7**

**Model 42B7**

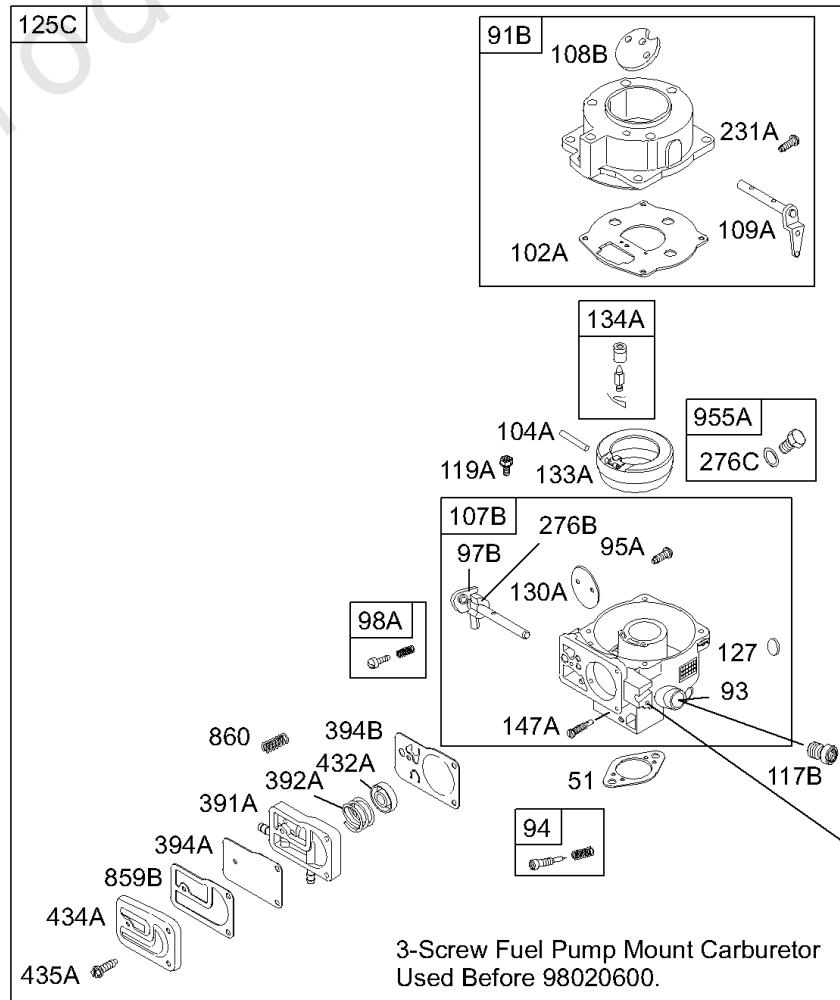
**Model 42D7**

**Model 42E7**

**Model 42Z7**

**3-Screw Fuel Pump  
 Mount Carburetor  
 Used Before 98020600.**

Not For  
 Reproduction



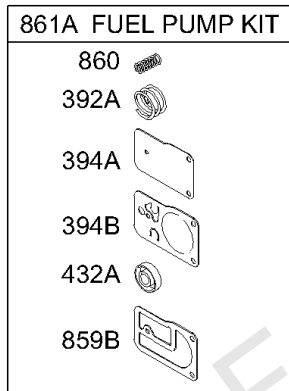
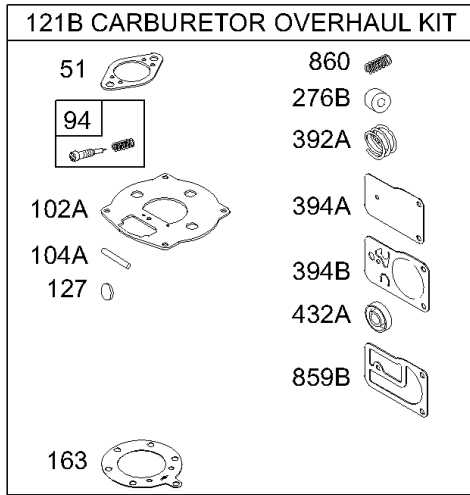
**Model 4607**

**Model 4617**

**3-Screw Fuel Pump  
 Mount Carburetor  
 Used Before 98020600.**

## Carburetor 2, Kit/Gasket Sets - Carburetor 2, Kit/Gasket Sets - Fuel Pump 2

| REF NO | PART NO | QTY | DESCRIPTION  |
|--------|---------|-----|--|
| 51     | 692278  |     | GASKET, Intake   |
| 91B    | 495035  |     | BODY, Upper Carburetor   |
| 93     | 690513  |     | BUSHING, Throttle Shaft  |
| 94     | 491538  |     | VALVE, Idle Mixture  |
| 95A    | 691437  |     | SCREW<br>-(Throttle Valve)   |
| 97B    | 690629  |     | SHAFT-THROTTLE   |
| 98A    | 693942  |     | KIT, Idle Speed  |
| 102A   | 273186S |     | GASKET, Carburetor Body  |
| 104A   | 691775  |     | PIN, Float Hinge   |
| 107B   | 491543  |     | BODY, Lower Carburetor   |
| 108B   | 223534  |     | VALVE, Choke   |
| 109A   | 691957  |     | SPRING, Valve  |
| 117B   | 691773  |     | JET, Main<br>-(Standard)<br>-Used Before Code Date 98020600                |
| 117D   | 691256  |     | JET, Main<br>-(Standard)<br>-Used After Code Date 98020500                 |
| 117D   | 691254  |     | JET, Main<br>-(Standard)<br>-Used Before Code Date 98020600                |
| 118C   | 232152  |     | JET, Main<br>-(High Altitude)<br>-Used After Code Date 98020500            |
| 119A   | 691090  |     | SCREW<br>-(UPPER TO LOWER CARBURETOR BODY)                                 |
| 121B   | 694056  |     | KIT, Carburetor Overhaul<br>-(Used On 3 Screw Fuel Pump Mount Carburetors) |
| 125C   | -----   |     | MOTOR, Starter<br>-(3 Screw Fuel Pump Mount)(Service With Reference 125)   |
| 127    | 691739  |     | PLUG-WELCH   |
| 130A   | 691727  |     | VALVE, Throttle  |
| 133A   | 692265  |     | FLOAT-CARBURETOR   |
| 134A   | 394683  |     | KIT, Needle/Seat<br>-(Pump Feed)   |
| 147A   | 691431  |     | JET, Pilot   |
| 163    | 690273  |     | GASKET, Air Cleaner<br>-(Air Cleaner)                                      |
| 231A   | 691437  |     | SCREW<br>-(Choke Valve)  |
| 267    | 690316  |     | SCREW<br>-(Casing Clamp)   |
| 276B   | 691872  |     | WASHER, Sealing<br>-(Foam)   |
| 276C   | 691319  |     | WASHER, Sealing<br>-(Carburetor Plug)                                      |
| 391A   | 691896  |     | BODY, Fuel Pump  |
| 392A   | 691801  |     | SPRING, Pump Diaphragm   |
| 394A   | 691871  |     | DIAPHRAGM, Carburetor  |
| 394B   | 272638S |     | DIAPHRAGM-CARB.  |
| 432A   | 690766  |     | CAP-SPRING   |
| 434A   | 690434  |     | COVER, Diaphragm   |
| 435A   | 691085  |     | SCREW<br>-(Diaphragm Cover)  |
| 859B   | 691873  |     | GASKET, Carburetor Pump  |
| 860    | 691799  |     | SPRING, Diaphragm  |



**Model 42A7**

**Model 42B7**

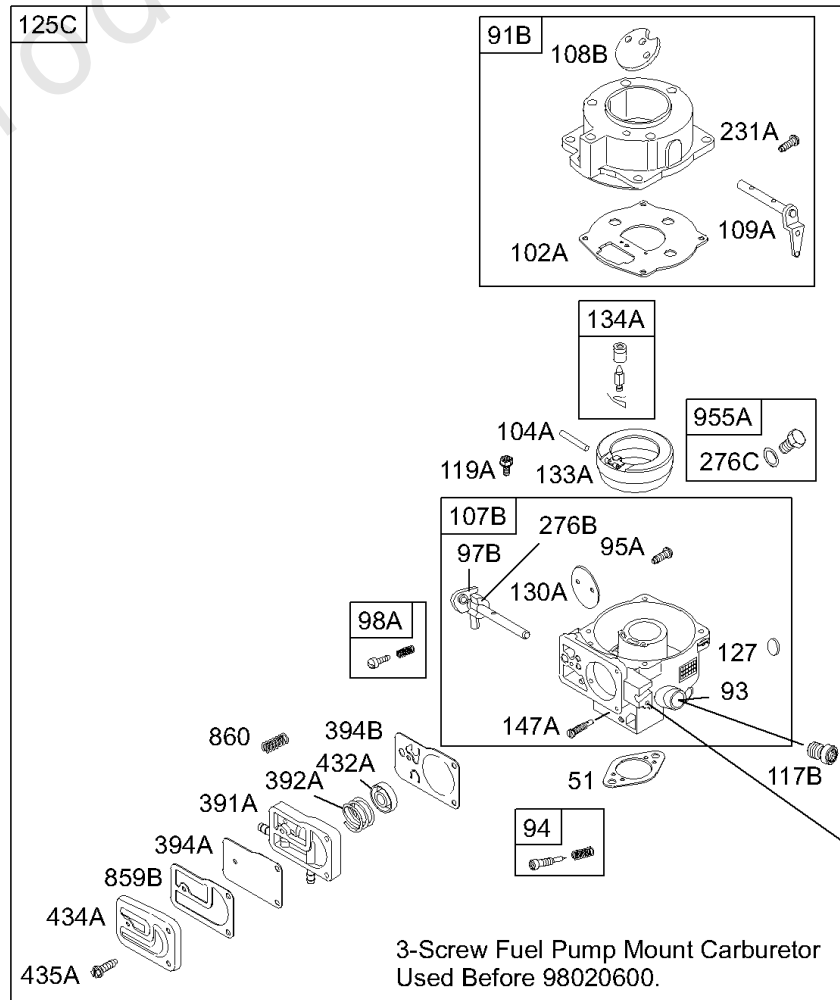
**Model 42D7**

**Model 42E7**

**Model 42Z7**

**3-Screw Fuel Pump  
 Mount Carburetor  
 Used Before 98020600.**

Not For  
 Reproduction



**Model 4607**

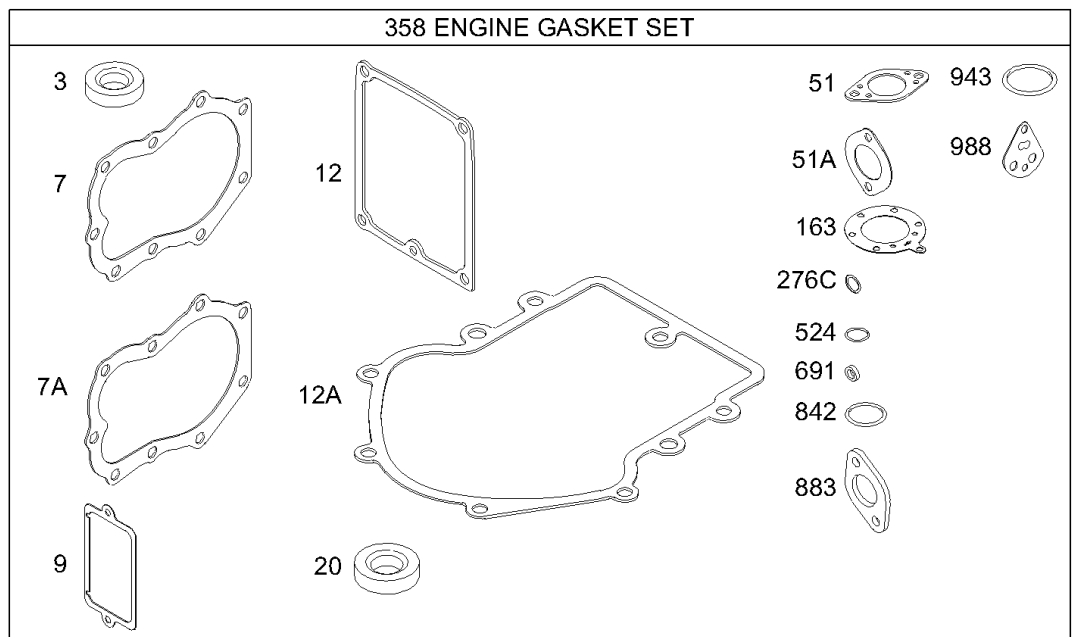
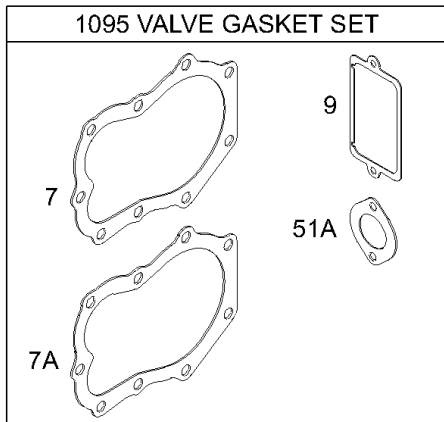
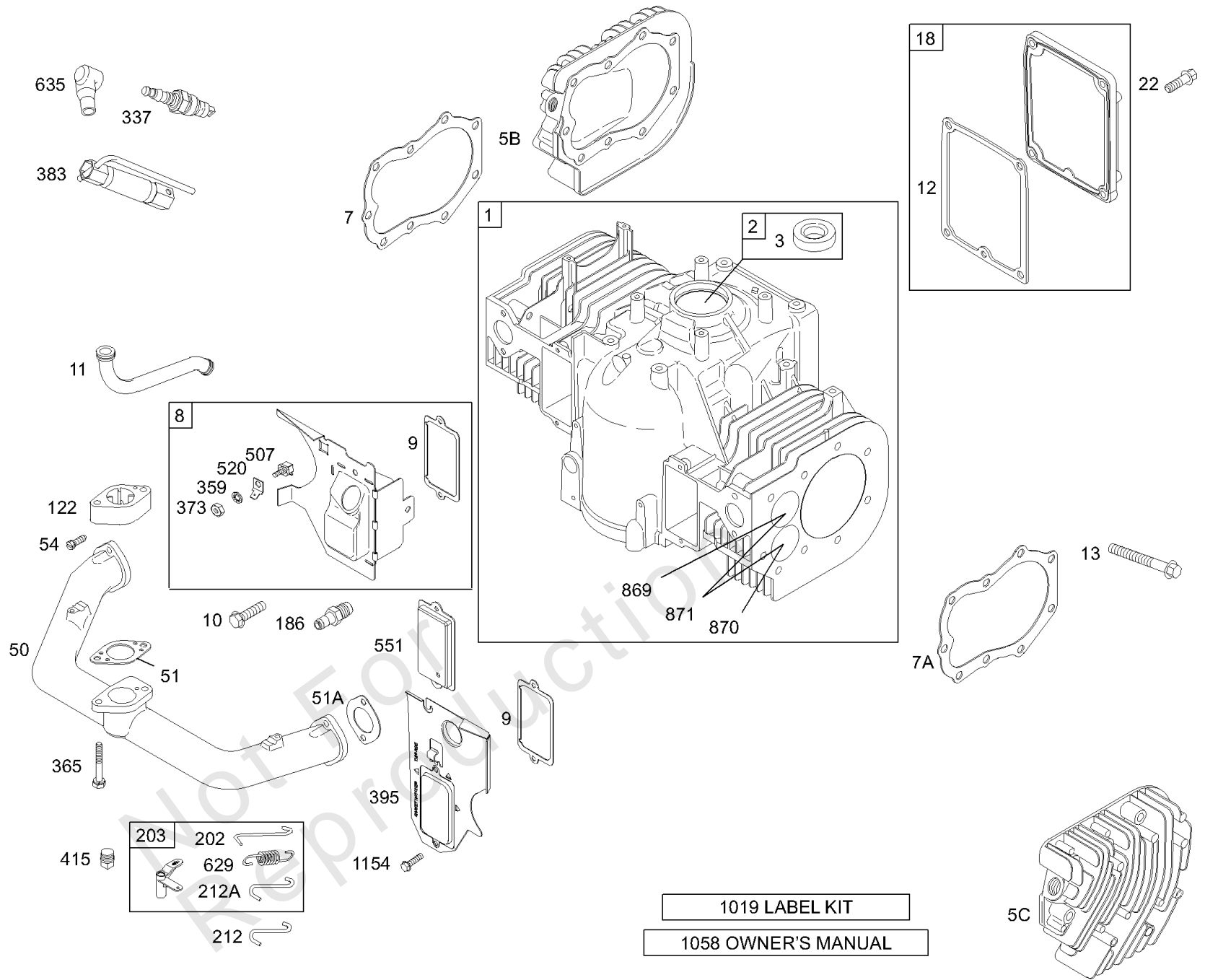
**Model 4617**

**3-Screw Fuel Pump  
 Mount Carburetor  
 Used Before 98020600.**

## ***Carburetor 2, Kit/Gasket Sets - Carburetor 2, Kit/Gasket Sets - Fuel Pump 2***

| <b>REF NO</b> | <b>PART NO</b> | <b>QTY</b> | <b>DESCRIPTION</b>   |
|---------------|----------------|------------|--|
| 861A          | 393397         |            | KIT, Fuel Pump<br>-(Used On 3 Screw Fuel Pump Mount Carburetors) |
| 947A          | 397266         |            | SOLENOID, Fuel   |
| 955A          | 397882         |            | PLUG, Carburetor<br>-(Solenoid Hole)                             |

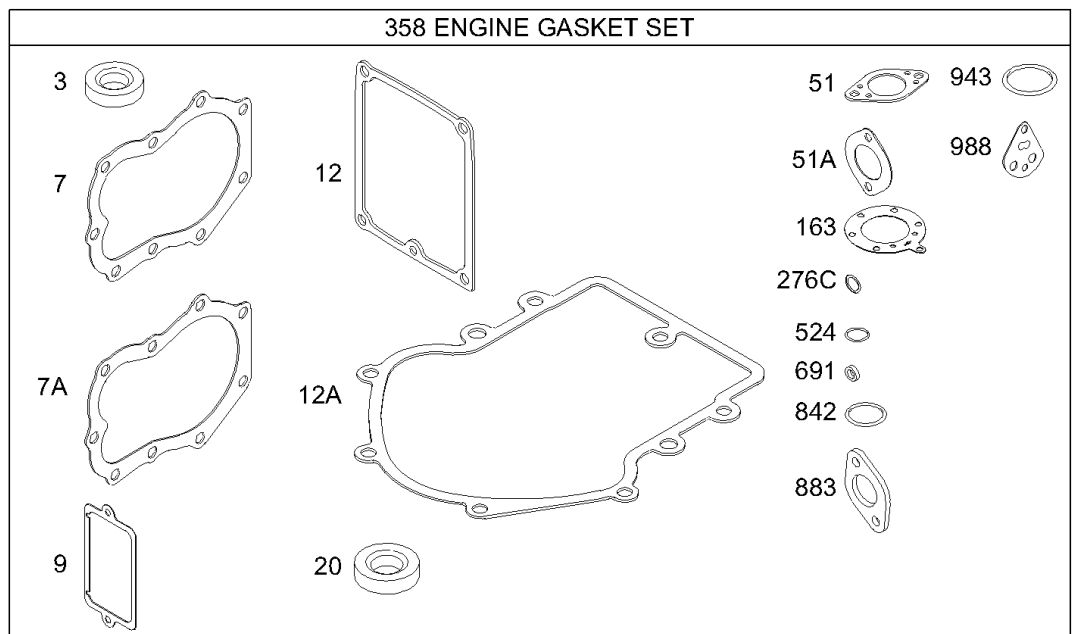
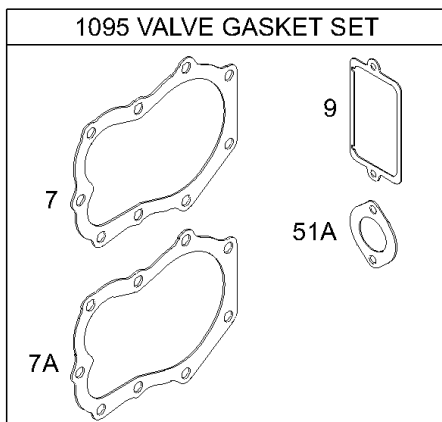
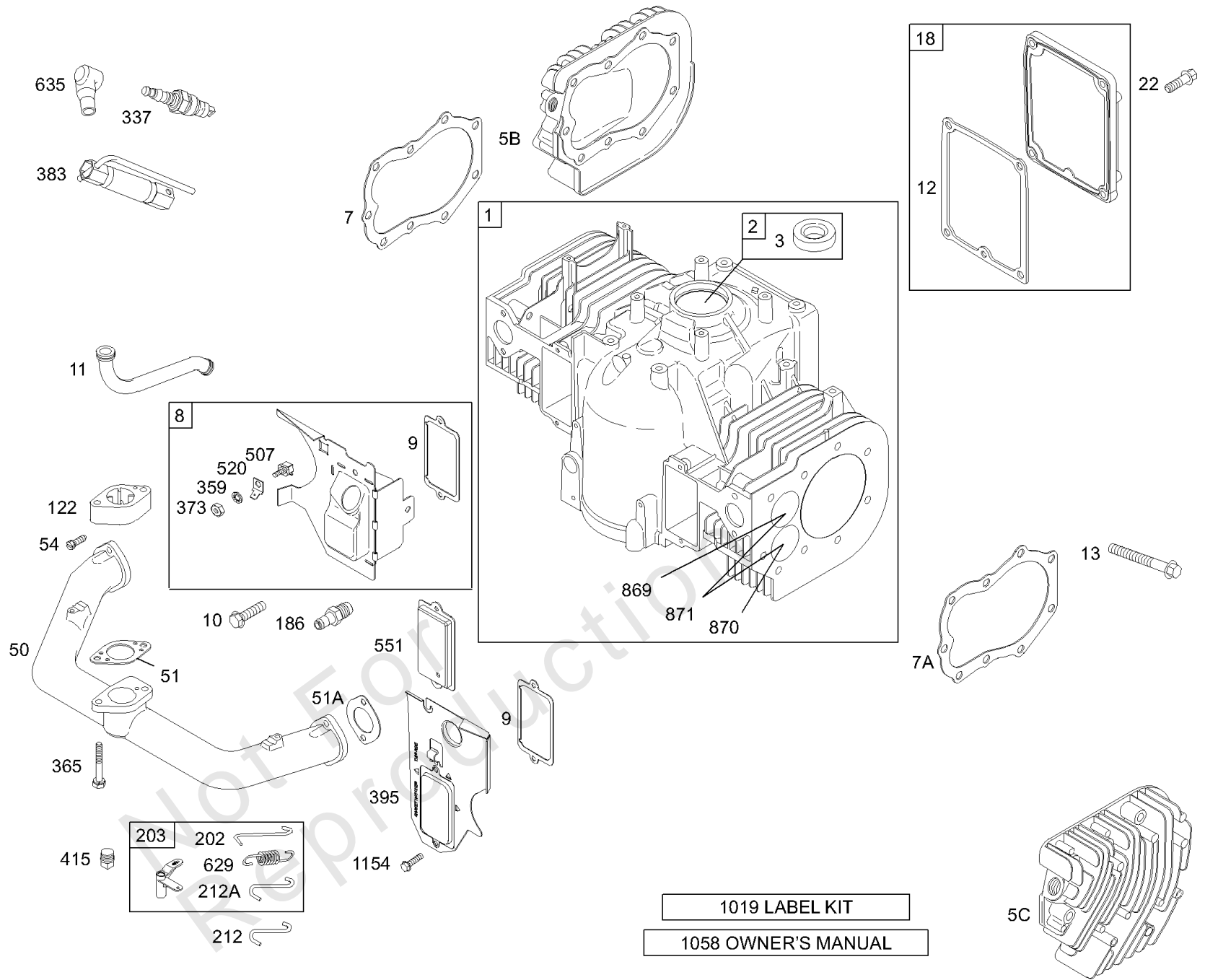
Not For Reproduction





## Crankcase Cover/Cylinder, Head, Kit/Gasket Sets - Engine, Kit/Gasket Sets - Valve

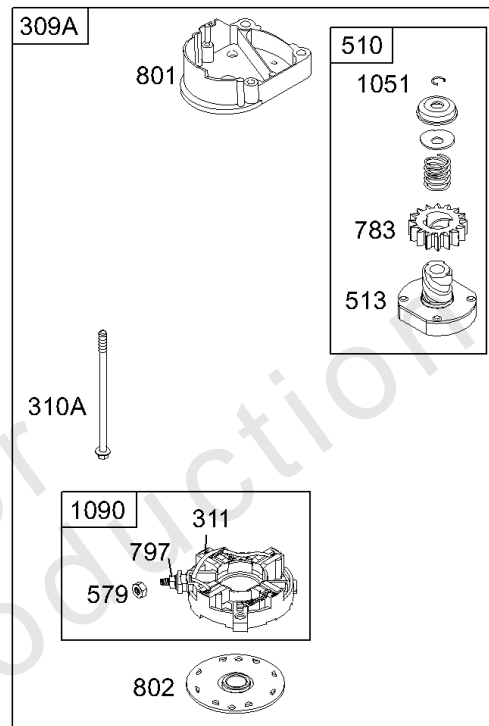
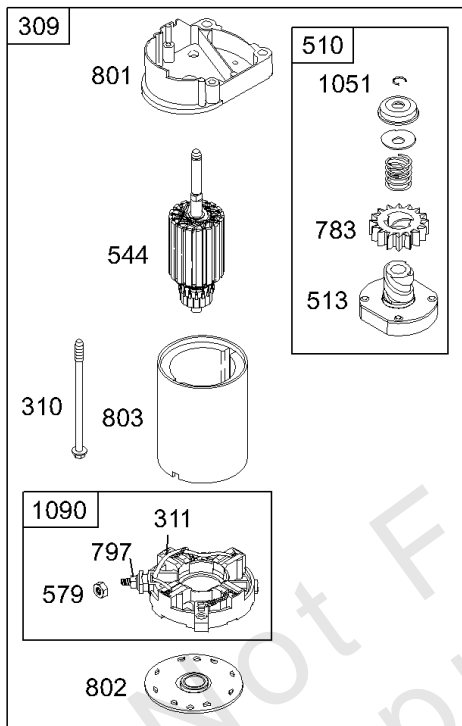
| REF NO | PART NO | QTY | DESCRIPTION  |
|--------|---------|-----|--|
| 1      | 498583  |     | CYLINDER ASSEMBLY  |
| 2      | 399265  |     | KIT, Bushing/Seal<br>-(Magneto Side)                             |
| 3      | 391086S |     | SEAL, Oil<br>-(Magneto Side)                                     |
| 5B     | 691162  |     | HEAD, Cylinder<br>-(Cylinder 1)                                  |
| 5C     | 691163  |     | HEAD, Cylinder<br>-(Cylinder 2)                                  |
| 7      | 271867S |     | GASKET, Cylinder Head<br>-(Cylinder 1)                           |
| 7A     | 271868S |     | GASKET, Cylinder Head<br>-(Cylinder 2)                           |
| 8      | 495754  |     | BREATHER ASSEMBLY<br>-(Cylinder 1)                               |
| 9      | 27803S  |     | GASKET, Breather   |
| 10     | 690334  |     | SCREW<br>-(Breather Assembly)                                    |
| 11     | 691899  |     | TUBE, Breather   |
| 12     | 692287  |     | GASKET, Crankcase  |
| 12A    | 271189  |     | GASKET, Crankcase<br>-(.009)                                     |
| 12A    | 271188  |     | GASKET, Crankcase<br>-(.005)                                     |
| 12A    | 692292  |     | GASKET, Crankcase<br>-(.015)(Standard)                           |
| 13     | 691651  |     | SCREW<br>-(Cylinder Head)  |
| 18     | 495901  |     | COVER-CRANKCASE  |
| 20     | 291675S |     | SEAL, Oil<br>-(PTO Side)   |
| 22     | 691104  |     | SCREW<br>-(Crankcase Cover/Sump)                                 |
| 50     | 691709  |     | MANIFOLD, Intake   |
| 51     | 692278  |     | GASKET, Intake   |
| 51A    | 692219  |     | GASKET, Intake   |
| 54     | 93208   |     | SCREW<br>-(Intake Manifold)                                      |
| 122    | 691928  |     | SPACER, Carburetor   |
| 163    | 690273  |     | GASKET, Air Cleaner<br>-(Air Cleaner)                            |
| 186    | 691764  |     | CONNECTOR-HOSE<br>-(Pulse Line)                                  |
| 202    | 690570  |     | LINK, Mechanical Governor  |
| 203    | 493230  |     | LINK, Throttle   |
| 212    | 693544  |     | LINK, Throttle<br>-(Used On 4 Screw Fuel Pump Mount Carburetors) |
| 212A   | 690571  |     | LINK, Throttle<br>-(Used On 3 Screw Fuel Pump Mount Carburetors) |
| 276C   | 691319  |     | WASHER, Sealing<br>-(Carburetor Plug)                            |
| 337    | 802592S |     | PLUG, Spark<br>-(Resistor)                                       |
| 358    | 495868  |     | GASKET SET, Engine   |
| 359    | 691077  |     | WASHER<br>-(Ground Terminal)                                     |
| 365    | 690321  |     | SCREW<br>-(Carburetor)   |



## Crankcase Cover/Cylinder, Head, Kit/Gasket Sets - Engine, Kit/Gasket Sets - Valve

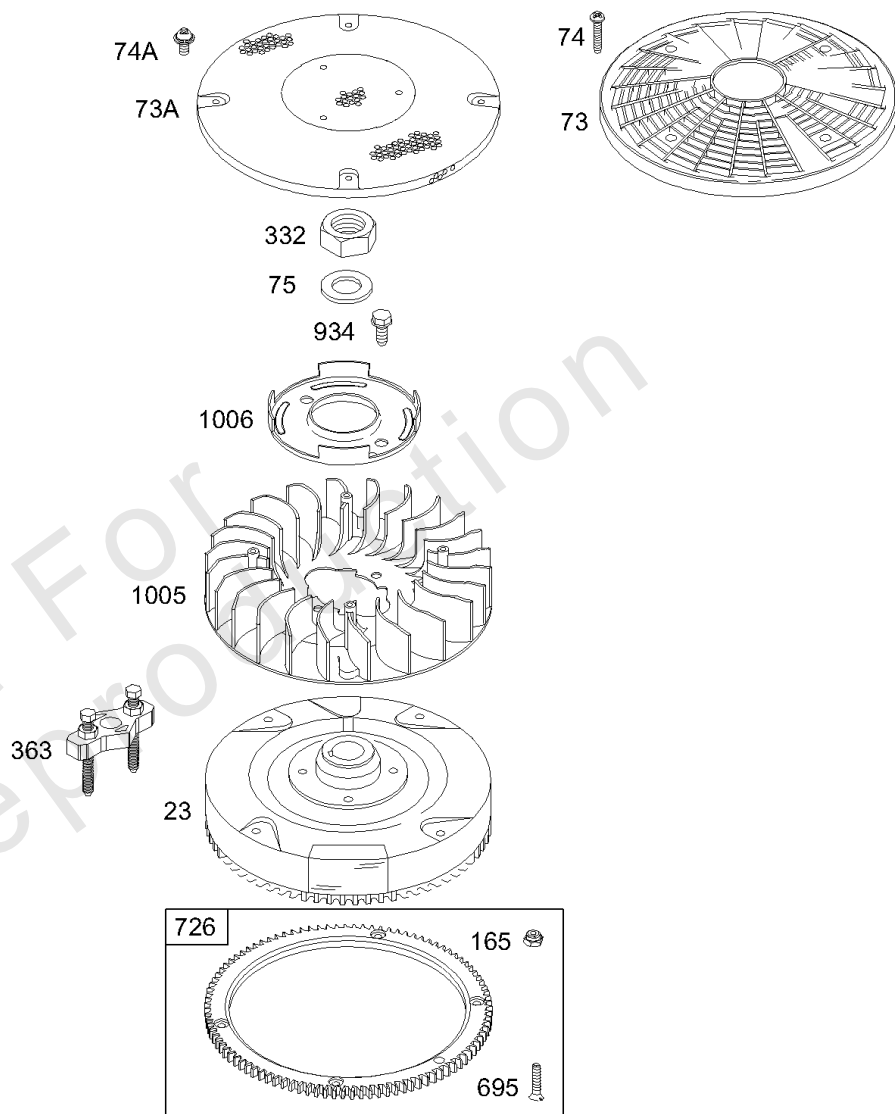
| REF NO | PART NO | QTY | DESCRIPTION                                   |
|--------|---------|-----|---|
| 373    | 691612  |     | NUT<br>-(Ground Terminal)                     |
| 383    | 89838S  |     | WRENCH-SPARK PLUG                             |
| 395    | 690481  |     | COVER, Valve Chamber                          |
| 415    | 690283  |     | PLUG, Oil<br>-(Oil Pressure Switch)           |
| 507    | 691972  |     | INSULATOR                                     |
| 520    | 691084  |     | TERMINAL, Ground                              |
| 524    | 692532  |     | SEAL, O-Ring<br>-(Dipstick Tube)              |
| 551    | 690415  |     | COVER, Breather Passage                       |
| 629    | 262539  |     | SPRING, Throttle Return<br>-(Throttle Return) |
| 635    | 66538S  |     | BOOT, Spark PLug                              |
| 691    | 690657  |     | SEAL, Governor Shaft                          |
| 842    | 271170  |     | SEAL, O-Ring<br>-(Dipstick Tube)              |
| 869    | 691802  |     | SEAT, Valve<br>-(Intake)                      |
| 870    | 691844  |     | SEAT-VALVE<br>-(Exhaust)                      |
| 871    | 231218  |     | BUSHING, Valve Guide<br>-(Intake)             |
| 871    | 261961  |     | BUSHING, Valve Guide<br>-(Exhaust)            |
| 883    | 692282  |     | GASKET, Exhaust                               |
| 943    | 690589  |     | SEAL, O-Ring<br>-(Oil Pump Cover)             |
| 988    | 691313  |     | GASKET, Oil Adapter                           |
| 1019   | 496726  |     | KIT, Label                                    |
| 1058   | 272112  |     | MANUAL, Operator's<br>-(Non Emission)         |
| 1058   | 274796  |     | MANUAL, Operator's<br>-(Emission)             |
| 1095   | 498047  |     | GASKET SET, Valve                             |
| 1154   | 690366  |     | SCREW<br>-(Valve Chamber Cover)               |

697 



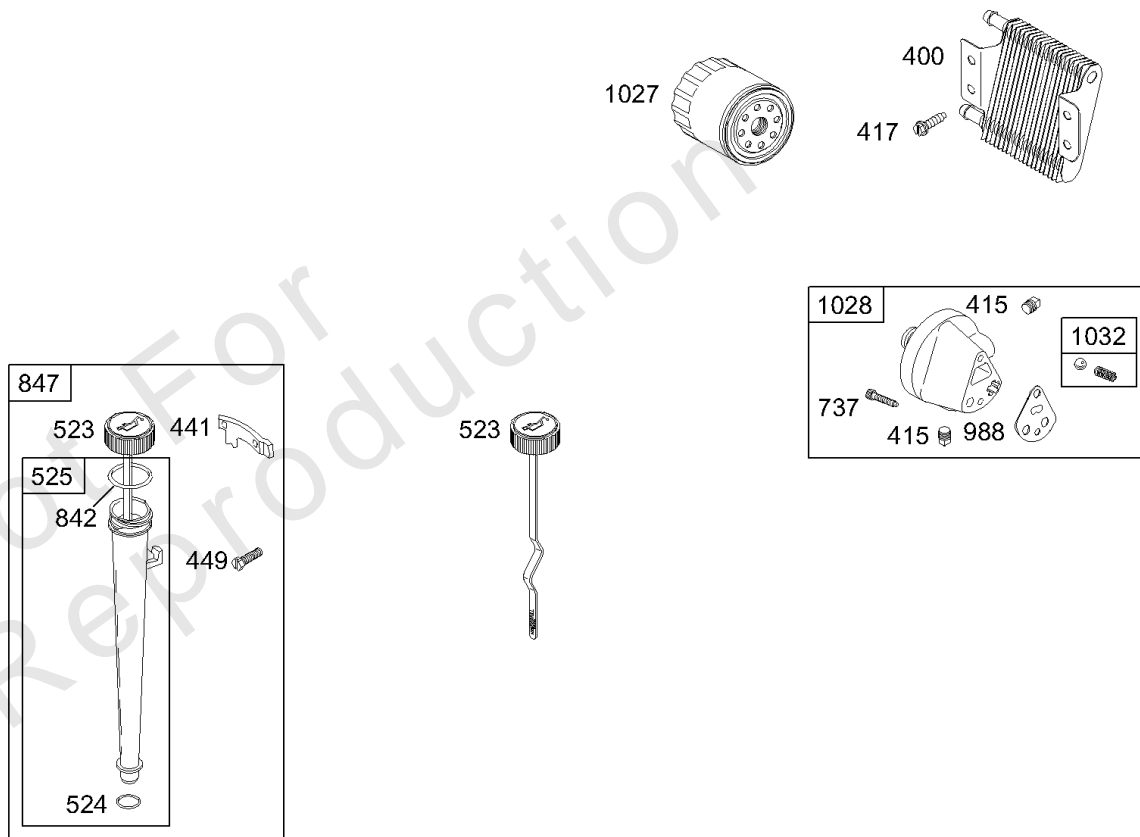
## Electric Starter

| REF NO | PART NO | QTY | DESCRIPTION   |
|--------|---------|-----|---|
| 309    | 497596  |     | MOTOR, Starter<br>-(3 5/8 Housing)                              |
| 309A   | 498148  |     | MOTOR, Starter<br>-(4 3/8 Housing)                              |
| 310    | 690323  |     | SCREW<br>-(Starter Motor) (3 5/8" Housing Length)               |
| 310A   | 691263  |     | BOLT<br>-(Starter Motor) (4 3/8 Housing)                        |
| 311    | 497608  |     | SET, Brush  |
| 510    | 497606  |     | DRIVE, Starter  |
| 513    | 692024  |     | CLUTCH, Drive   |
| 544    | 692034  |     | ARMATURE, Starter<br>-(3 5/8 Housing)                           |
| 579    | 690958  |     | NUT<br>-(Starter Cable)   |
| 697    | 691625  |     | SCREW<br>-(Drive Cap)   |
| 783    | 693059  |     | GEAR, Pinion<br>-(Aluminum Ring Gear Only)                      |
| 797    | 693167  |     | NUT<br>-(Brush Retainer)  |
| 801    | 691967  |     | CAP, Drive  |
| 802    | 691286  |     | CAP, End  |
| 803    | 693757  |     | HOUSING, Starter<br>-(3 5/8 Housing)                            |
| 803    | -----   |     | MOTOR, Starter<br>-(4 3/8 Housing)(service With Reference 309A) |
| 1051   | 691265  |     | RING, Retaining   |
| 1090   | 691293  |     | RETAINER, Brush   |



## Flywheel

| REF NO | PART NO | QTY | DESCRIPTION                                 |
|--------|---------|-----|---|
| 23     | 691976  |     | FLYWHEEL                                    |
| 73     | 691438  |     | SCREEN, Rotating<br>-(Plastic)              |
| 73A    | 692527  |     | SCREEN-ROTATING<br>-(Steel)                 |
| 74     | 691134  |     | SCREW<br>-(Rotating Screen)                 |
| 74A    | 691677  |     | SCREW<br>-(Rotating Screen)                 |
| 75     | 691056  |     | WASHER<br>-(Flywheel)                       |
| 165    | 693148  |     | NUT<br>-(Ring Gear)                         |
| 332    | 691059  |     | NUT<br>-(Flywheel)                          |
| 363    | 19203   |     | PULLER, Flywheel                            |
| 695    | 693149  |     | SCREW<br>-(Ring Gear)                       |
| 726    | 391362  |     | GEAR, Ring<br>-(Includes Mounting Hardware) |
| 934    | 691058  |     | SCREW<br>-(Fan Retainer)                    |
| 1005   | 498157  |     | FAN, Flywheel                               |
| 1006   | 691247  |     | RETAINER, Fan                               |





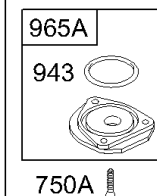
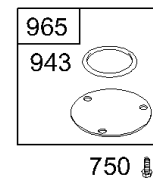
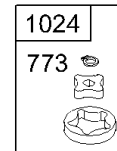
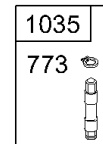
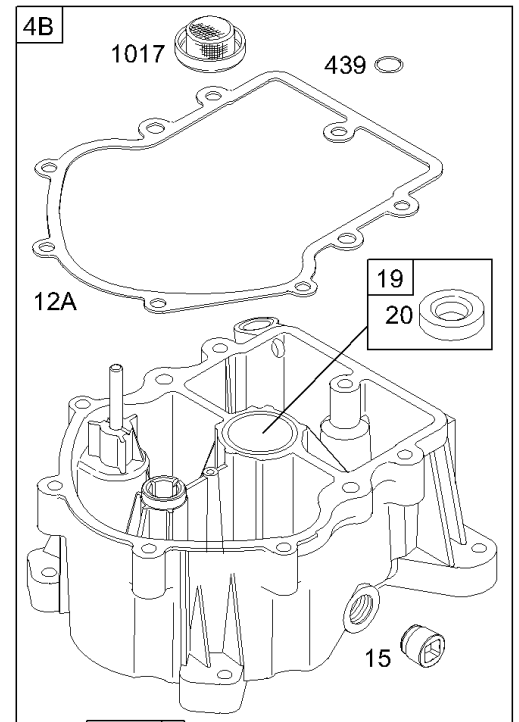
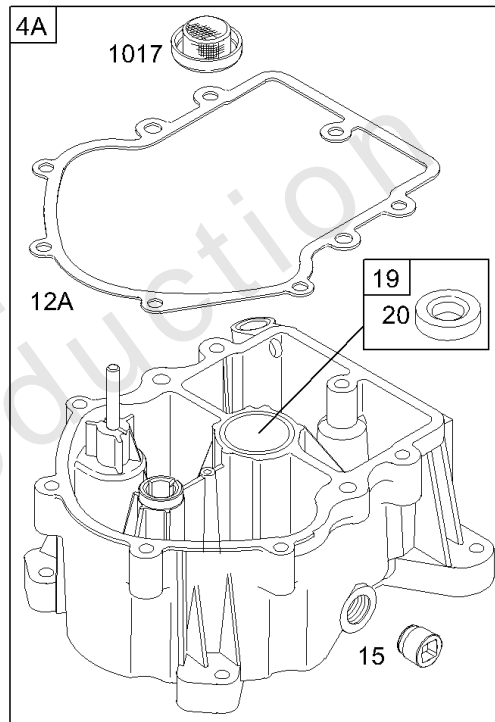
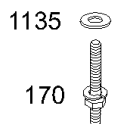
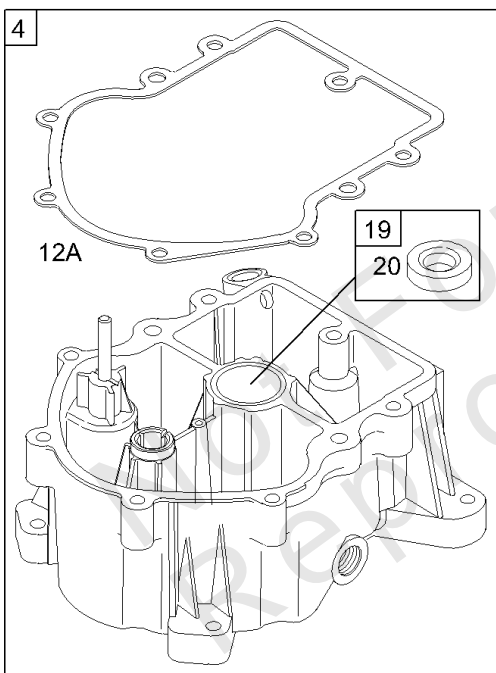
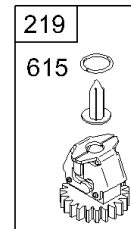
## Oil

| REF NO | PART NO | QTY | DESCRIPTION                         |
|--------|---------|-----|-------------------------------------|
| 400    | 690674  |     | COOLER, Oil                         |
| 415    | 690283  |     | PLUG, Oil<br>-(Oil Pressure Switch) |
| 417    | 691693  |     | SCREW<br>-(Oil Cooler)              |
| 441    | 691176  |     | BRACKET-OIL FILL                    |
| 449    | 691044  |     | SCREW<br>-(Oil Fill Bracket)        |
| 523    | 691385  |     | DIPSTICK                            |
| 524    | 692532  |     | SEAL, O-Ring<br>-(Dipstick Tube)    |
| 525    | 690823  |     | TUBE, Dipstick                      |
| 737    | 690332  |     | SCREW<br>-(Oil Filter Adapter)      |
| 842    | 271170  |     | SEAL, O-Ring<br>-(Dipstick Tube)    |
| 847    | 495715  |     | DIPSTICK/TUBE ASSEMBLY              |
| 988    | 691313  |     | GASKET, Oil Adapter                 |
| 1027   | 492932S |     | FILTER, Oil<br>-(2 1/4" Long)       |
| 1028   | 491721  |     | ADAPTER, Oil Filter                 |
| 1032   | 491710  |     | SPRING, Compression                 |

## Replacement Engine - US & Canada

| REF NO | PART NO | QTY | DESCRIPTION                           |
|--------|---------|-----|---------------------------------------|
|        | -----   |     | Top No-Load Speed: 3400<br>-Trim: ALL |
|        | -----   |     | Idle Speed: 1750                      |

Not For Reproduction



## Sump

| REF NO | PART NO | QTY | DESCRIPTION   |
|--------|---------|-----|---|
| 4A     | 692709  |     | SUMP, Engine<br>-(Pressure Lube)<br>-Used After Code Date 98011100  |
| 4B     | 692710  |     | SUMP, Engine<br>-(Pressure Lube)<br>-Used Before Code Date 98011200 |
| 12A    | 271189  |     | GASKET, Crankcase<br>-(.009)  |
| 12A    | 271188  |     | GASKET, Crankcase<br>-(.005)  |
| 12A    | 692292  |     | GASKET, Crankcase<br>-(.015)(Standard)                              |
| 15     | 691680  |     | PLUG, Oil Drain<br>-(1/2" Square Flush)                             |
| 15A    | 690946  |     | PLUG, Oil Drain<br>-(3/8" Standard)                                 |
| 19     | 399264  |     | KIT, Bushing/Seal<br>-(PTO Side)                                    |
| 20     | 291675S |     | SEAL, Oil<br>-(PTO Side)  |
| 22A    | 693972  |     | SCREW<br>-(Crankcase Cover/Sump)                                    |
| 219    | 394348  |     | GEAR, Governor  |
| 220    | 690412  |     | WASHER<br>-(Governor Gear)  |
| 239    | 491657S |     | SWITCH, Oil Pressure  |
| 439    | 690589  |     | SEAL, O-Ring<br>-(Crankcase Cover/Sump)                             |
| 615    | 690317  |     | RETAINER, Governor Shaft  |
| 750    | 690960  |     | SCREW<br>-(Oil Pump Cover)<br>-Used After Code Date 98011100        |
| 750A   | 690336  |     | SCREW<br>-(Oil Pump Cover)<br>-Used Before Code Date 98011200       |
| 773    | 692334  |     | RETAINER  |
| 943    | 690589  |     | SEAL, O-Ring<br>-(Oil Pump Cover)                                   |
| 965    | 499613  |     | COVER, Oil Pump<br>-Used After Code Date 98011100                   |
| 965A   | 492197  |     | COVER, Oil Pump<br>-Used Before Code Date 98011200                  |
| 1017   | 690770  |     | SCREEN, Oil Pump  |
| 1024   | 499054  |     | PUMP, Oil   |
| 1035   | 693158  |     | SHAFT, Pump   |

