



Parts Manual

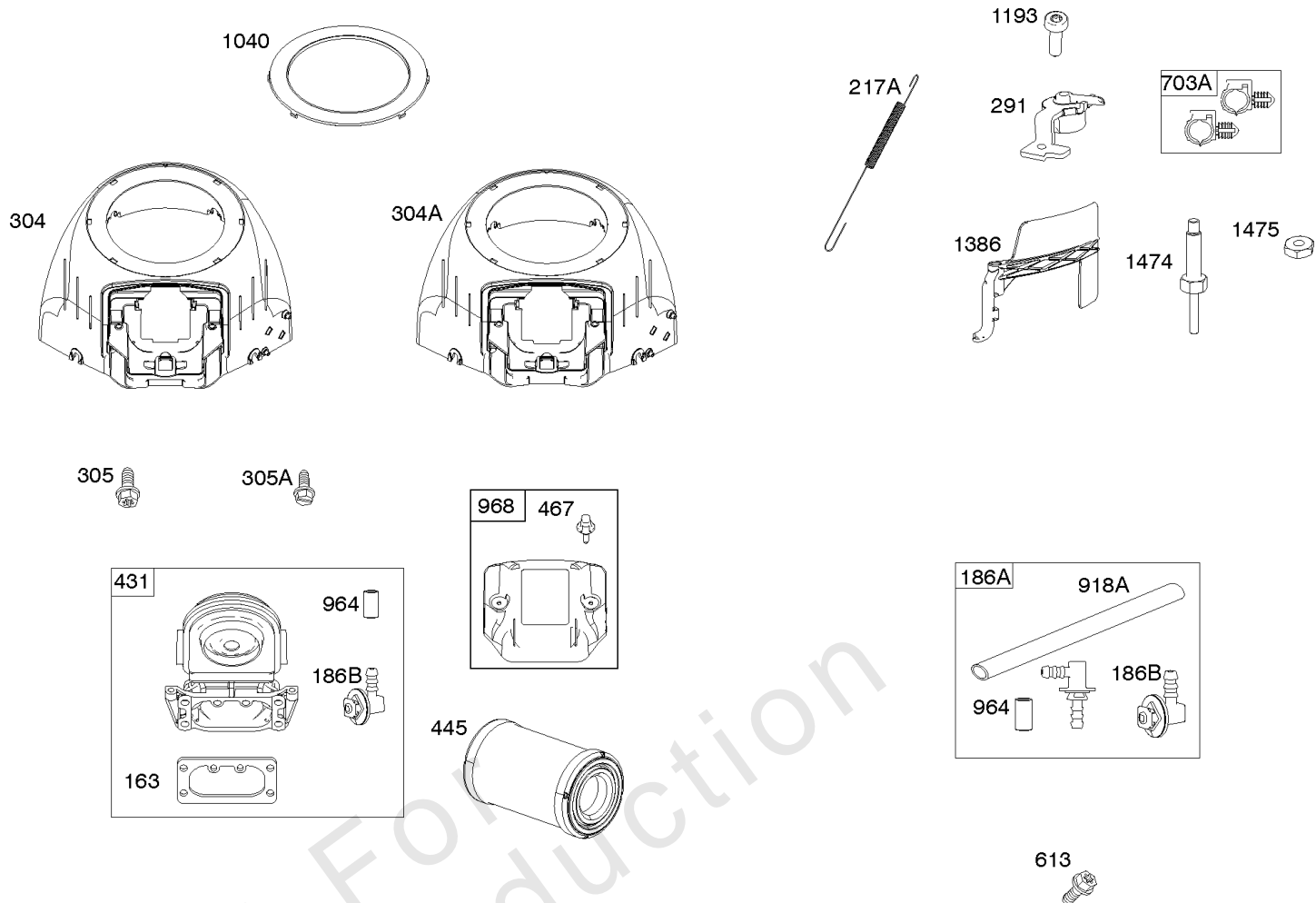
Mfg. No: 44R877-0001-G1

Model Components	Page
Blower Housing, Air Cleaner.	4
Carburetor, Fuel Supply.	6
Cylinder Head, Rocker Arm Cover, Intake Manifold.	10
Cylinder, Crankshaft, Camshaft, Air Guides.	14
Engine Sump, Oil Pump, Dipstick/Tube Assembly.	18
Engine/Valve Gasket Set, Carburetor Overhaul Kit.	20
Flywheel, Controls, Wire Harness, Alternator, Starter.	22
Replacement Engine - US & Canada.	26
Model 40, 44 & 49 Engine Accessories Catalog.	27
Maintenance Kits.	28
Engine Mounted Below Deck Mufflers.	30
Engine Mounted Above Deck Mufflers.	32
Spark Arrester/Deflector.	34
Lubrication.	36
Implement Mounted Above Deck Mufflers.	38
Exhaust/Muffler Configurations.	40
Electrical.	42
Flywheel Guards.	44
Speed Control.	46
Muffler Mounting Hardware.	48

Not For
Reproduction

Blower Housing, Air Cleaner

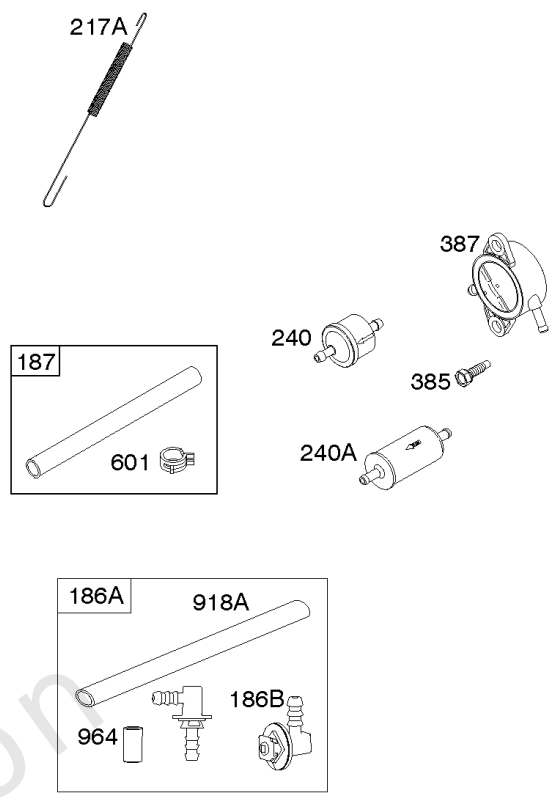
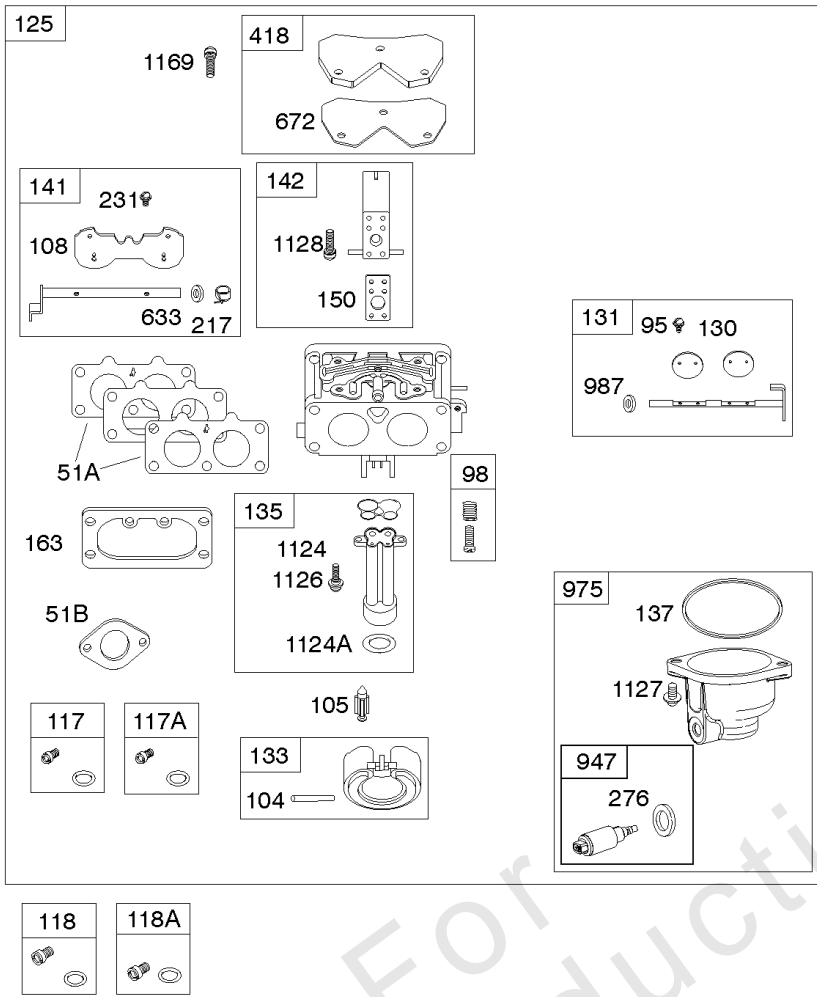
Mfg. No: 44R877-0001-G1



Not For
Reproduction

Blower Housing, Air Cleaner

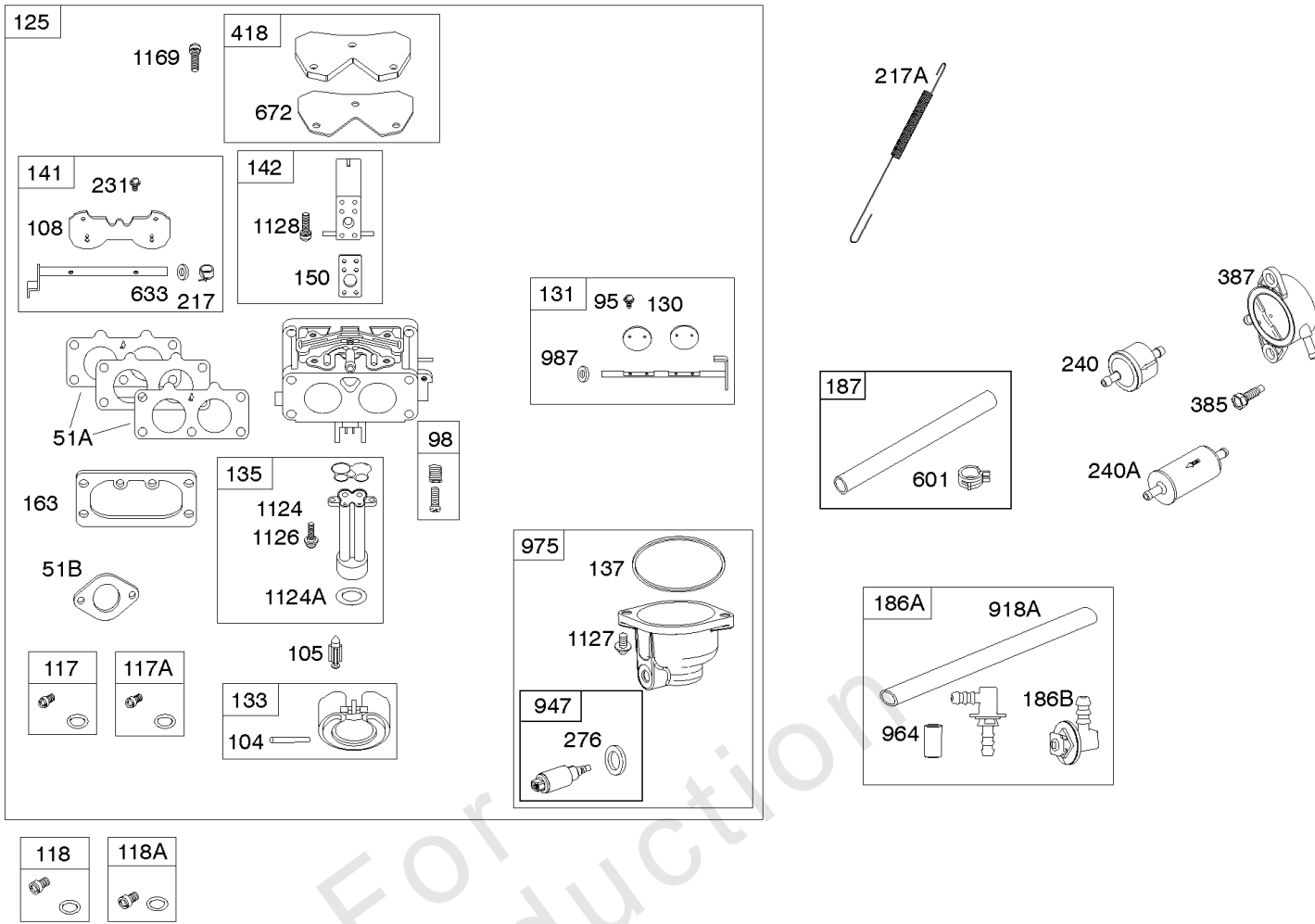
REF NO	PART NO	QTY	DESCRIPTION
163	691001		GASKET, Air Cleaner
186A	799158		CONNECTOR, Hose -(EVAP)
186B	845141		CONNECTOR, Hose -(EVAP)
217A	592585		SPRING, Choke Return
291	592581		THERMOSTAT
304	591656		HOUSING, Blower -(Black)
304A	591657		HOUSING, Blower
305	691005		SCREW -(Blower Housing) (21/32)
305A	790690		SCREW -(Blower Housing) (Blower Housing To Intake Elbow)
431	591661		MANIFOLD, Intake -(EVAP)
445	591334		FILTER, A/C Cartridge
467	790697		KNOB, Air Cleaner Cover
613	690341		SCREW -(Muffler)
703A	592584		CLIP -(EVAP)
918A	799160		HOSE, Vacuum -(Length 9.4 Inches)
964	799159		CAP, Connector
968	591658		COVER, Air Cleaner -(Black)
1040	791237		PLATE, Trim -(Black)
1040	798585		PLATE, Trim -(Orange)
1193	592577		SCREW -(Thermostat)
1386	592580		VANE, Air
1474	592579		STUD -Air Vane
1475	592578		NUT -Air Vane



Not For
Reproduction

Carburetor, Fuel Supply

REF NO	PART NO	QTY	DESCRIPTION
51A	690950		GASKET, Intake
51B	690949		GASKET, Intake
95	690718		SCREW -(Throttle Valve)
98	699721		KIT, Idle Speed
104	694918		PIN, Float Hinge
105	797410		VALVE, Float Needle
108	699723		VALVE, Choke
117	842585		JET, Main -(Standard) (Left)(Nikki)
117A	842629		JET, Main -(Standard) (Right)(Nikki)
118	792296		JET, Main -(High Altitude) (Left)(Nikki)
118A	842585		JET, Main -(High Altitude) (Right)(Nikki)
125	593392		CARBURETOR
130	690993		VALVE, Throttle
131	799113		KIT, Throttle Shaft
133	699724		FLOAT, Carburetor
135	699729		TUBE, Fuel Transfer
137	690994		GASKET, Float Bowl
141	796228		KIT, Choke Shaft
142	699726		NOZZLE, Carburetor
150	841649		GASKET, Nozzle
163	691001		GASKET, Air Cleaner
186A	799158		CONNECTOR, Hose -(EVAP)
186B	845141		CONNECTOR, Hose -(EVAP)
187	791766		LINE, Fuel -(15 Inches Long)(Cut To Required Length)
217	799771		SPRING, Choke Return
217A	592585		SPRING, Choke Return
231	690718		SCREW -(Choke Valve)
240	84001895		FILTER, Fuel
276	695410		WASHER, Sealing
385	797409		SCREW -(Fuel Pump)
385	691108		SCREW -(Fuel Pump)
387	808656		PUMP, Fuel
418	795912		PLATE, Carburetor Cover
601	691038		CLAMP, Hose -(Green)
633	699813		SEAL, Choke/Throttle Shaft
672	690234		GASKET, Carburetor Plate
918A	799160		HOSE, Vacuum -(Length 9.4 Inches)
947	798779		SOLENOID, Fuel
964	799159		CAP, Connector
975	799114		BOWL, Float
987	691000		SEAL, Throttle Shaft
1124	690988		SEAL, O-Ring -(Fuel Transfer Tube)



Not For
Reproduction

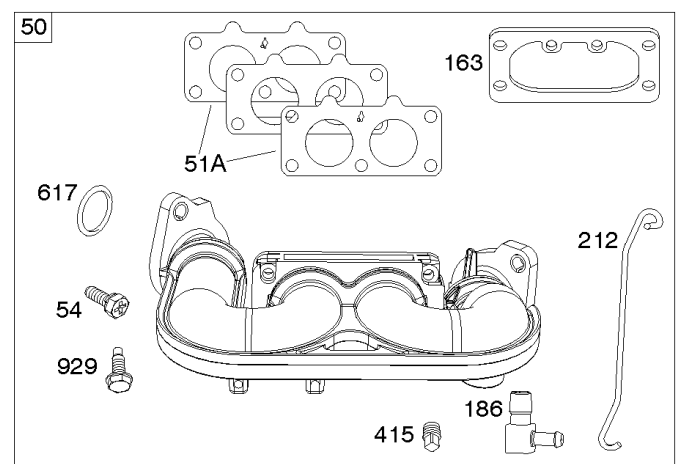
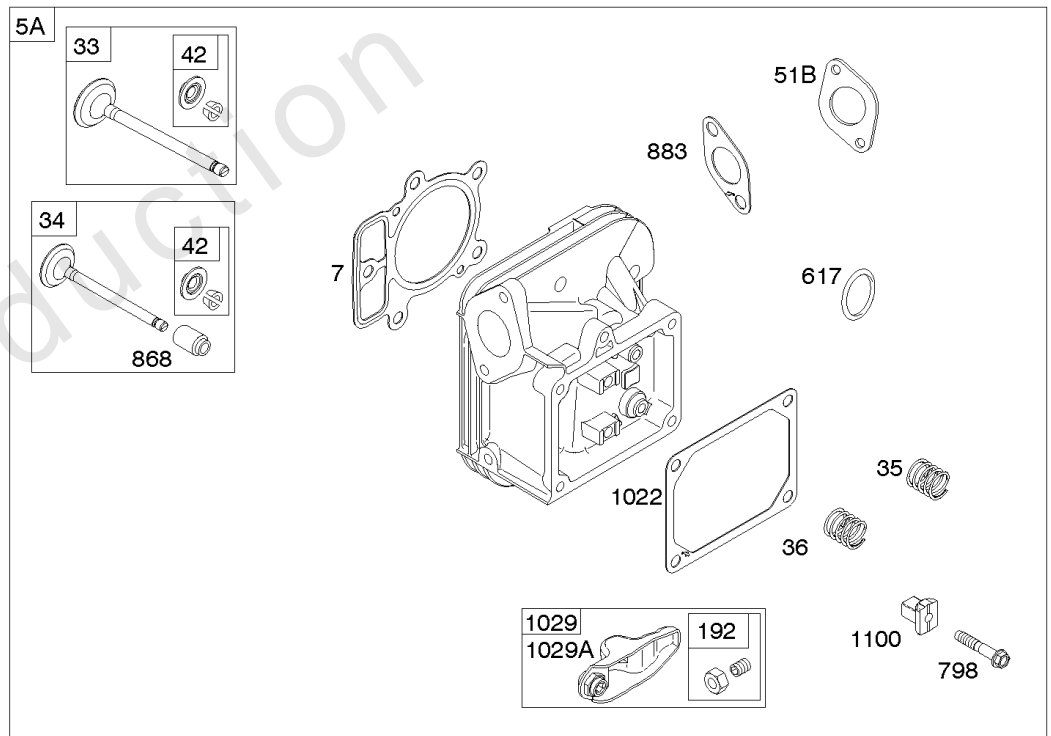
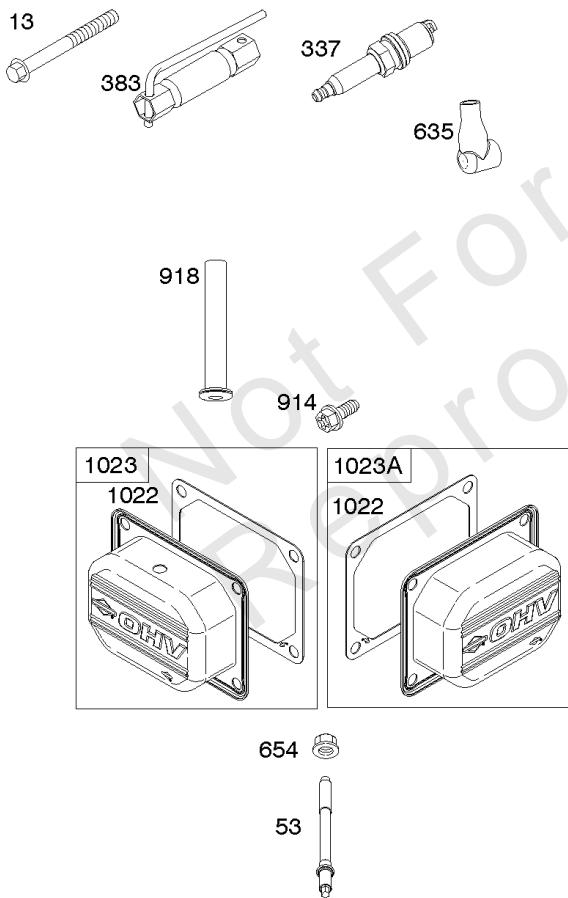
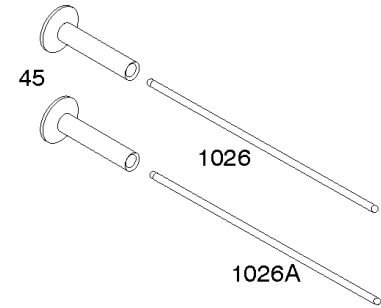
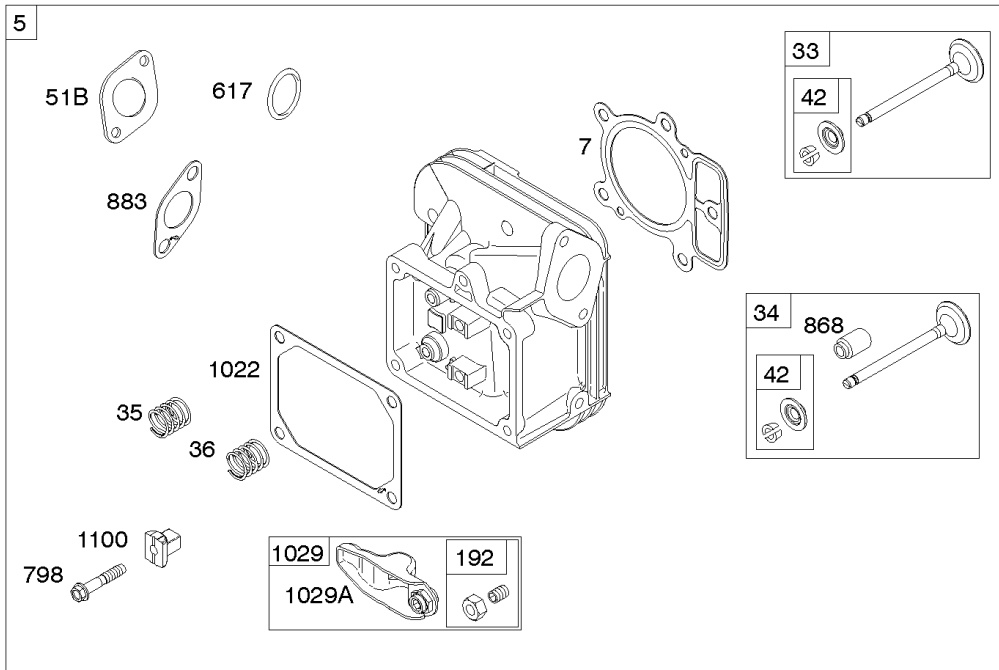
Carburetor, Fuel Supply

REF NO	PART NO	QTY	DESCRIPTION
1124A	841653		SEAL, O-Ring -(Fuel Transfer Tube)
1126	690991		SCREW -(Fuel Transfer Tube)
1127	695407		SCREW -(Float Bowl) (Float Bowl to Carburetor Body)
1128	690990		SCREW -(Carburetor Nozzle)
1169	690990		SCREW -(Carburetor Cover Plate)

Not For Reproduction

Cylinder Head, Rocker Arm Cover, Intake Manifold

Mfg. No: 44R877-0001-G1

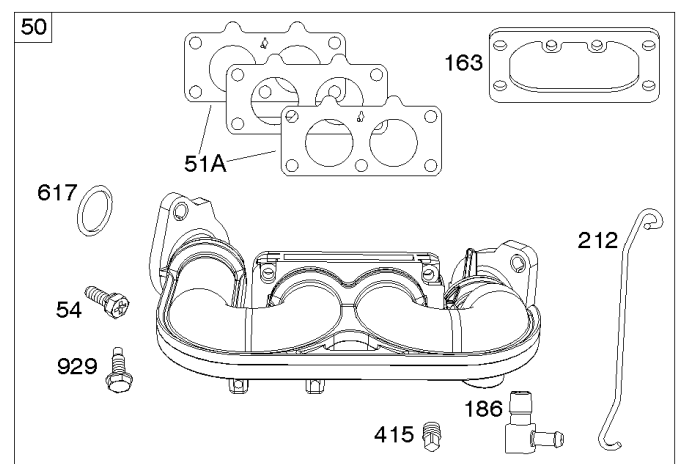
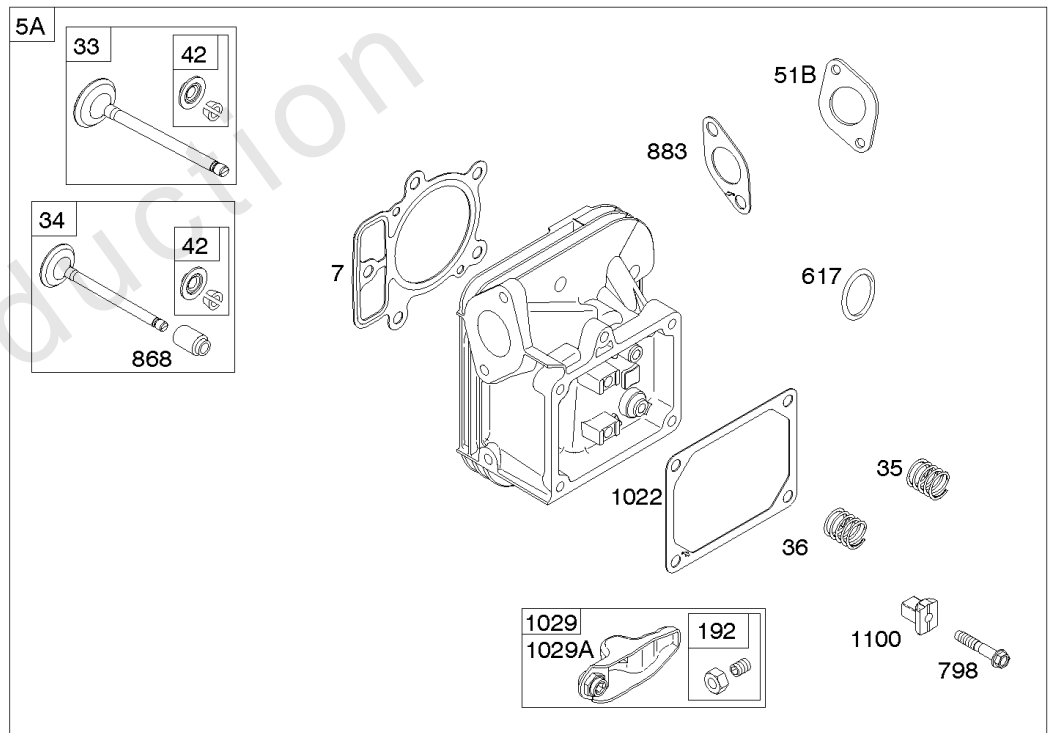
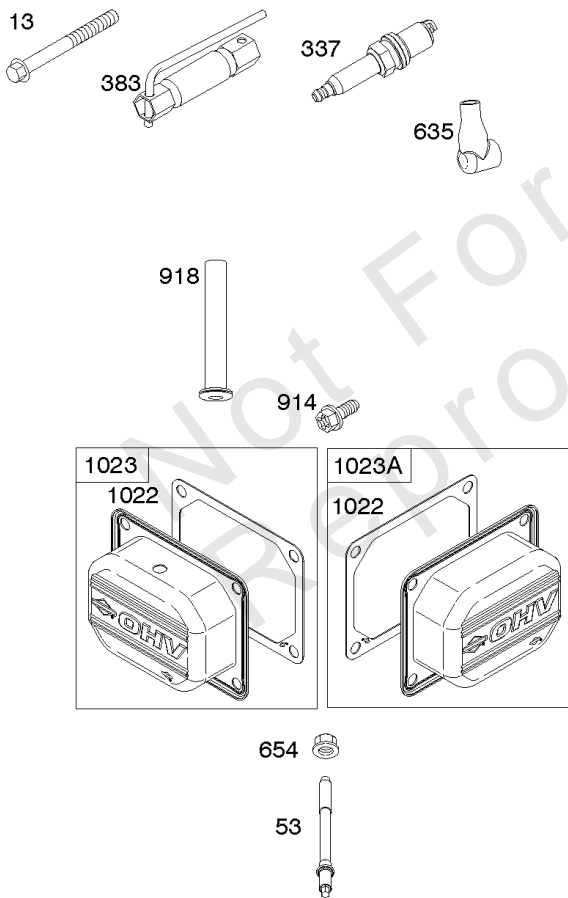
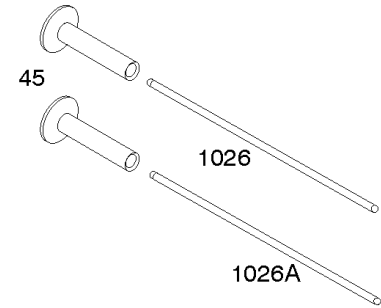
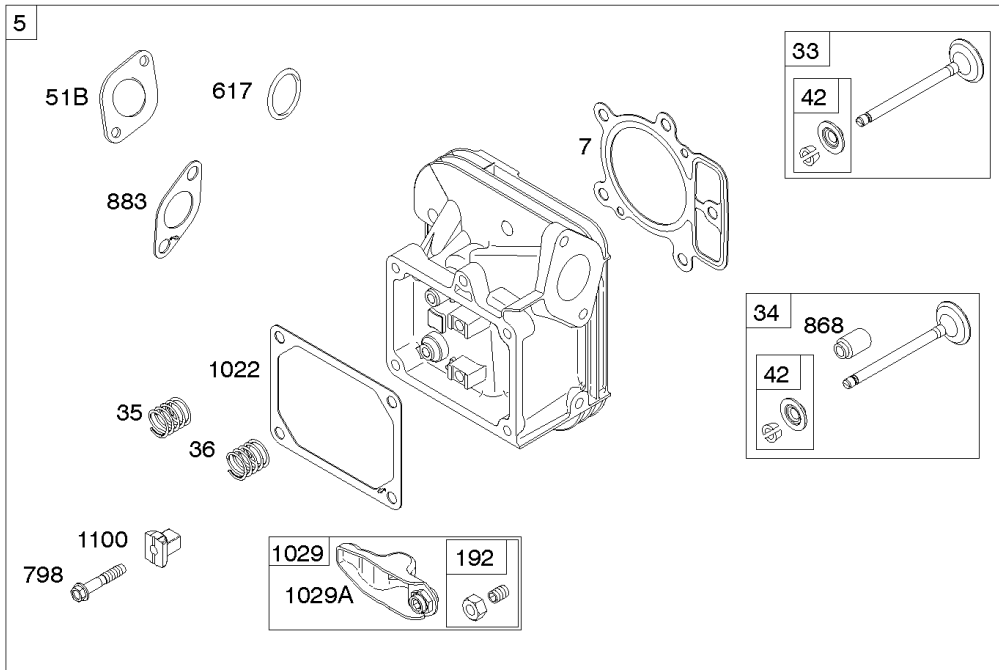


Cylinder Head, Rocker Arm Cover, Intake Manifold

REF NO	PART NO	QTY	DESCRIPTION
5	799088		HEAD, Cylinder -(Cylinder #1)
5A	799089		HEAD, Cylinder -(Cylinder #2)
7	693997		GASKET, Cylinder Head
13	592244		SCREW -(Cylinder Head)
33	793557		VALVE, Exhaust
34	793556		VALVE, Intake
35	694865		SPRING, Valve -(Intake)
36	694865		SPRING, Valve -(Exhaust)
42	499586		KEEPER, Valve
45	690977		TAPPET, Valve
50	591784		MANIFOLD, Intake -(Plastic)
51A	690950		GASKET, Intake
51B	690949		GASKET, Intake
53	690951		STUD -(Carburetor)
54	699816		SCREW -(Intake Manifold)
163	691001		GASKET, Air Cleaner
186	795985		CONNECTOR, Hose
192	690083		ADJUSTER, Rocker Arm
212	695238		LINK, Throttle
337	491055S		PLUG, Spark
337	84007216		PLUG, SPARK -(China Only)
383	19576S		WRENCH, Spark Plug
415	794903		PLUG -(Sump)
617	697891		SEAL, O-Ring -(Intake Manifold)
635	66538S		BOOT, Spark PLug
654	690958		NUT -(Carburetor)
798	697890		SCREW -(Rocker Arm)
868	690968		SEAL, Valve
883	690970		GASKET, Exhaust
914	691127		SCREW -(Rocker Cover)
918	596163		HOSE, Vacuum -Used Before Code Date 19091800
918	593641		HOSE, Vacuum -Used After Code Date 19091700
929	695239		SCREW -(Choke Control Bracket)
1022	690971		GASKET, Rocker Cover
1023	793146		COVER, Rocker -(Cylinder #1)
1023A	499600		COVER, Rocker -(Cylinder #2)
1026	690981		ROD, Push -(Steel)

Cylinder Head, Rocker Arm Cover, Intake Manifold

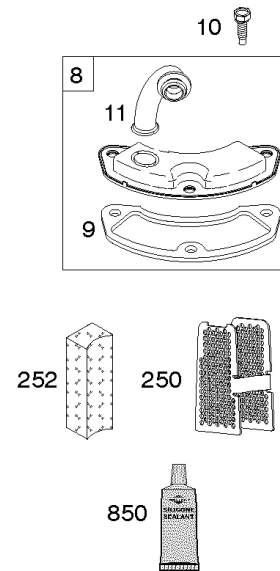
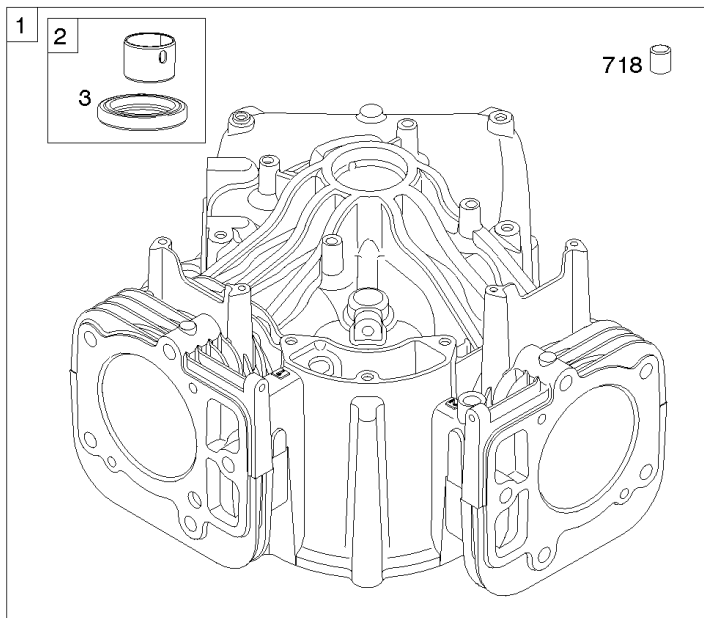
Mfg. No: 44R877-0001-G1



Cylinder Head, Rocker Arm Cover, Intake Manifold

REF NO	PART NO	QTY	DESCRIPTION
1026A	690982		ROD, Push -(Aluminum)
1029	690972		ARM, Rocker
1029A	807323		ARM, Rocker
1100	791959		PIVOT, Rocker Arm

Not For Reproduction



1319 WARNING LABEL

REQUIRED when replacing parts with warning labels affixed.

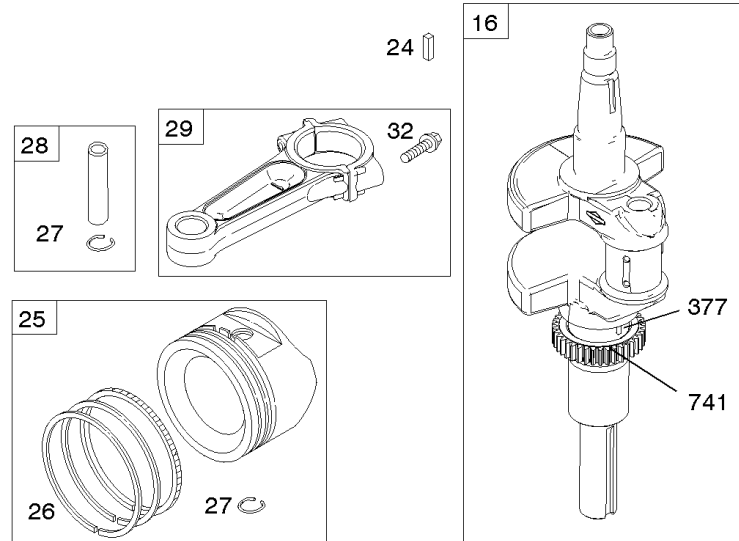
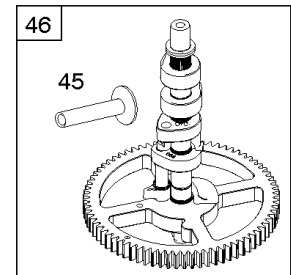
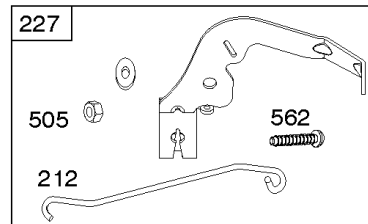
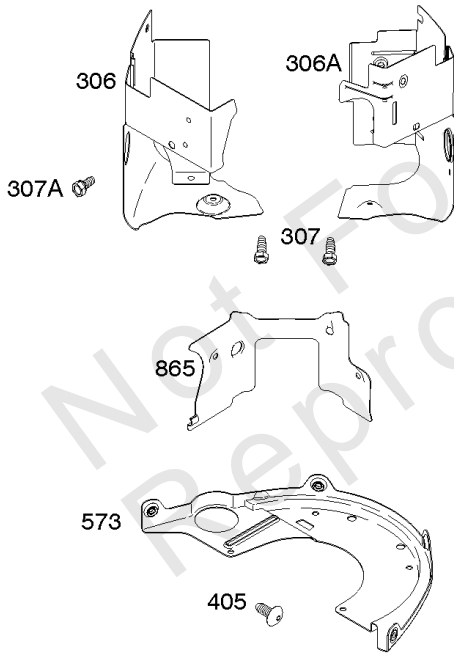
1319A WARNING LABEL

REQUIRED when replacing parts with warning labels affixed.

1058 OPERATOR'S MANUAL

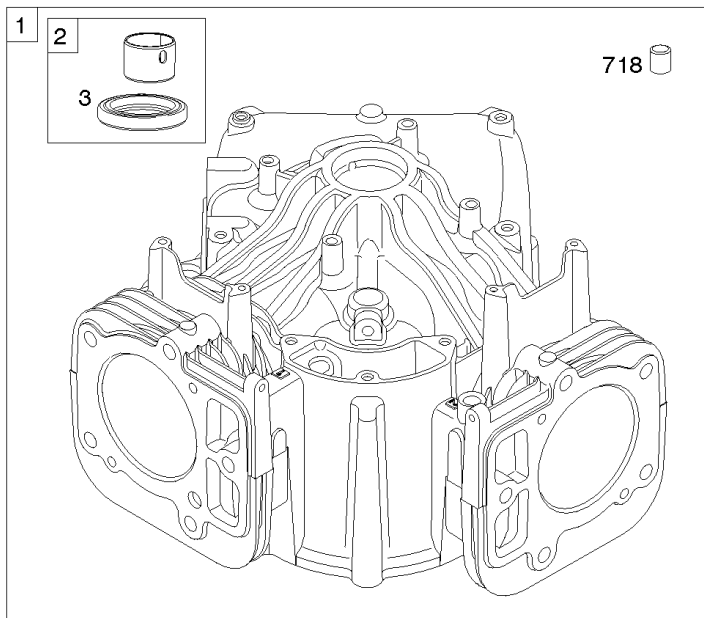
1330 REPAIR MANUAL

1036 EMISSIONS LABEL



Cylinder, Crankshaft, Camshaft, Air Guides

REF NO	PART NO	QTY	DESCRIPTION
1	591695		CYLINDER ASSEMBLY
2	797673		KIT, Bushing/Seal -(Magneto Side)
3	391086S		SEAL, Oil -(Magneto Side)
8	792185		BREATHER ASSEMBLY
9	690937		GASKET, Breather
10	691108		SCREW -(Breather Assembly)
11	792184		TUBE-BREATHER
16	595704		CRANKSHAFT
24	222698S		KEY, Flywheel
25	792072		PISTON ASSEMBLY -(.020" Oversize)
25	792023		PISTON ASSEMBLY -(Standard)
26	792073		SET, Ring -(.020" Oversize)
26	792026		SET, Ring -(Standard)
27	690975		LOCK, Piston Pin
28	696581		PIN, Piston -(Standard)
29	796209		ROD, Connecting -(Standard)
32	690976		SCREW -(Connecting Rod)
45	690977		TAPPET, Valve
46	797242		CAMSHAFT
212	695238		LINK, Throttle
227	798856		LEVER, Governor Control
250	690957		RETAINER, Breather
252	794389		COLLECTOR-OIL
306	796852		SHIELD-CYLINDER -(Cylinder #1)
306A	591666		SHIELD-CYLINDER -(Cylinder #2)
307	691003		SCREW -(Cylinder Shield)
307A	691108		SCREW -(Cylinder Shield)
377	690979		KEY, Woodruff
405	697820		SCREW -(Back Plate)
505	691029		NUT -(Governor Control Lever)
562	690311		BOLT -(Governor Control Lever)
573	593465		PLATE, Back
718	690959		PIN, Locating
741	690980		GEAR, Timing
850	100106		SEALANT, Liquid
865	591667		COVER, Air Guide -(Valley)
1036	-----		Label-Emissions
1058	381258TRI		MANUAL, Operator's -(Emission)



1319 WARNING LABEL

WARNING
 Read and follow operating instructions before using engine.
 Do not touch hot surfaces. Allow engine to cool at least 2 minutes before refueling.
 Do not operate in enclosed areas.
 CO2 may be produced.
 Excessive area temperature may occur.
 Do not touch hot parts.

REQUIRED when replacing parts with warning labels affixed.

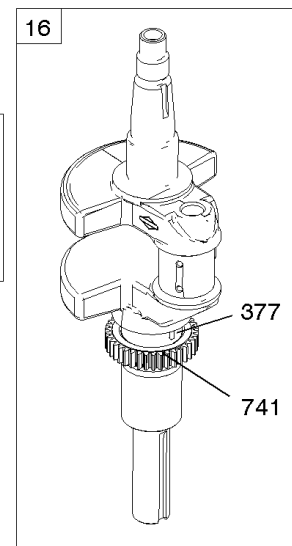
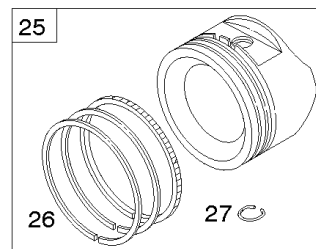
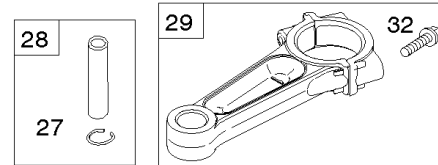
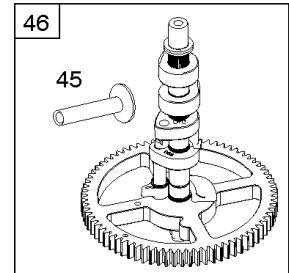
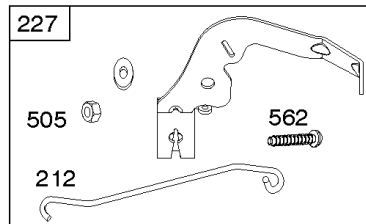
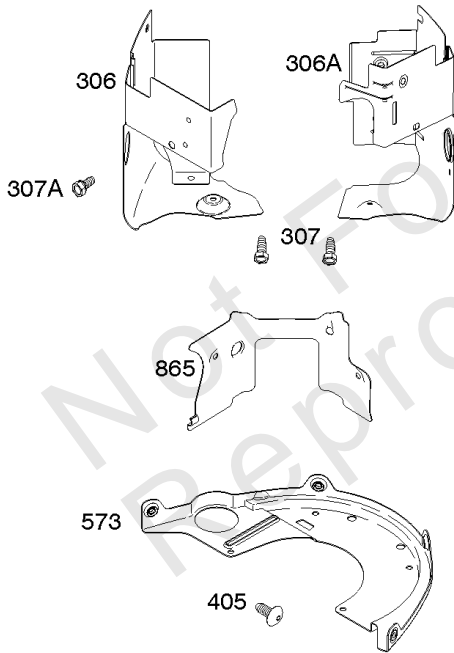
1319A WARNING LABEL

REQUIRED when replacing parts with warning labels affixed.

1058 OPERATOR'S MANUAL

1330 REPAIR MANUAL

1036 EMISSIONS LABEL



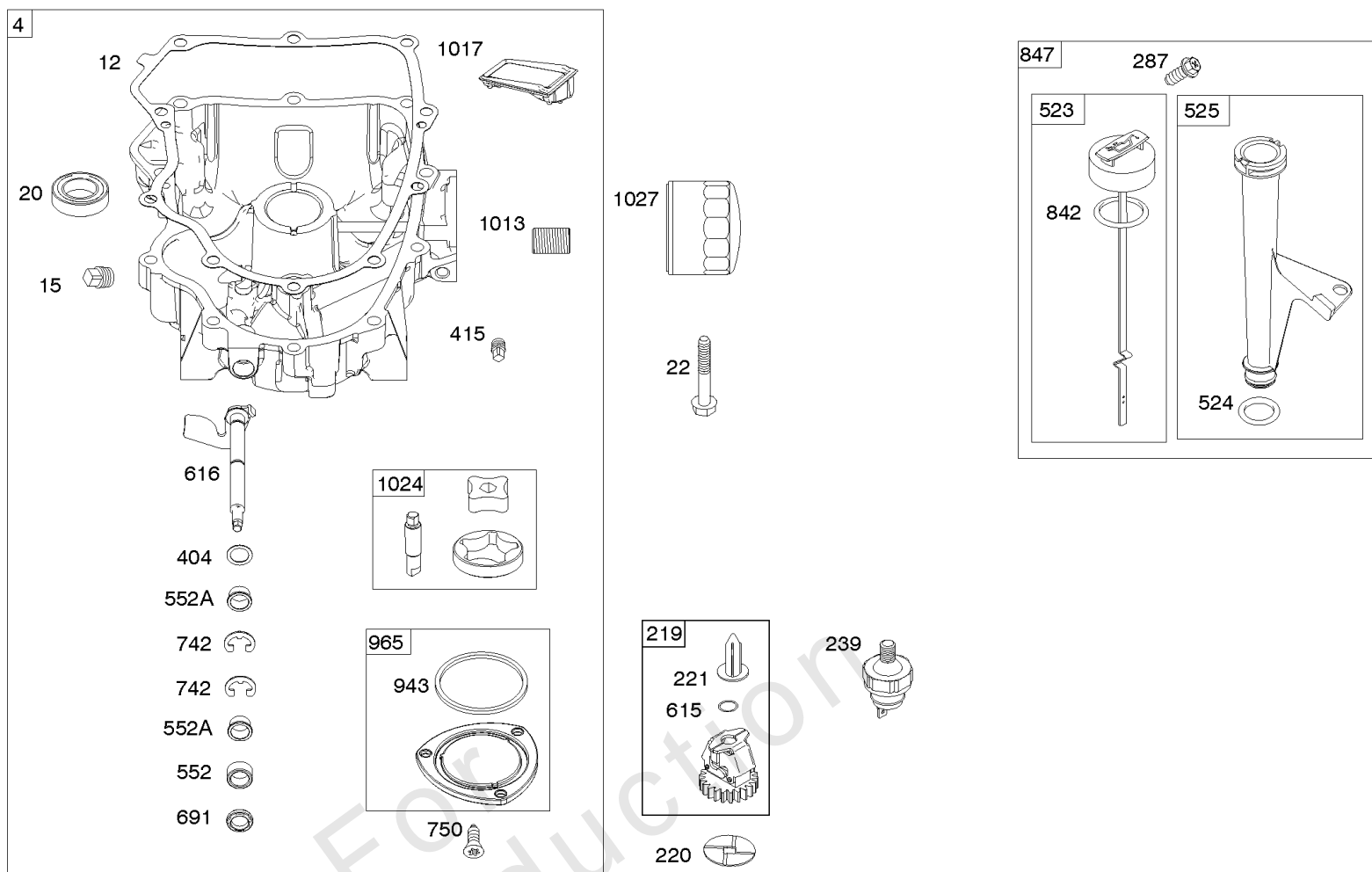
Cylinder, Crankshaft, Camshaft, Air Guides

REF NO	PART NO	QTY	DESCRIPTION
1319	794467		LABEL, Warning
1319A	797669		LABEL, Warning
1330	273521		MANUAL, Repair

Not For Reproduction

Engine Sump, Oil Pump, Dipstick/Tube Assembly

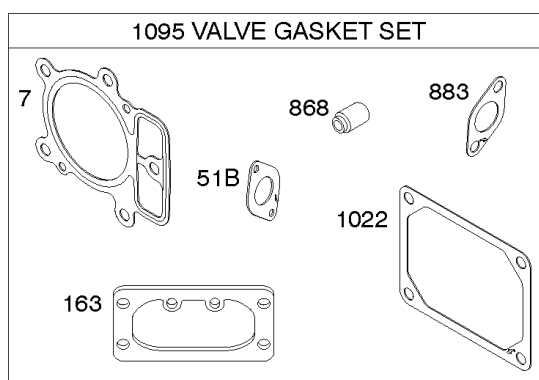
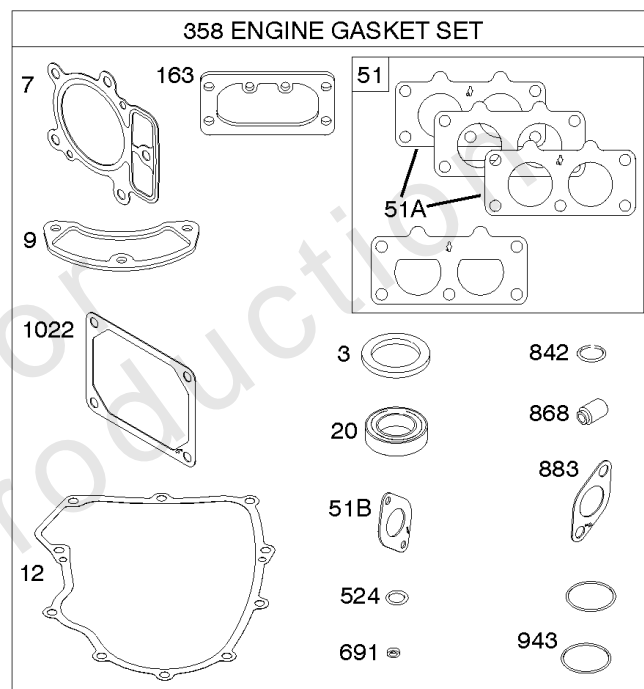
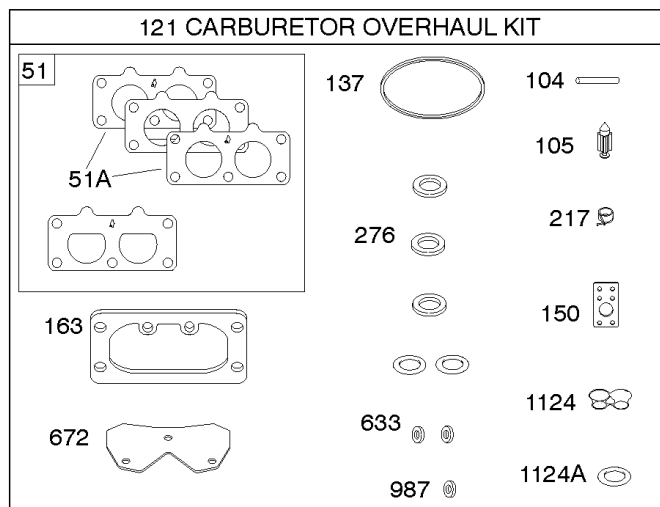
Mfg. No: 44R877-0001-G1



Not For
Reproduction

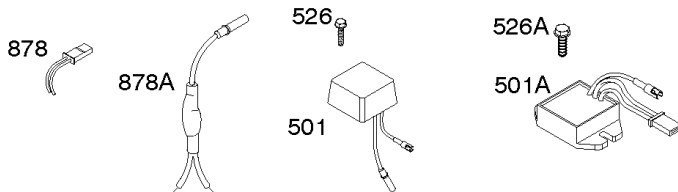
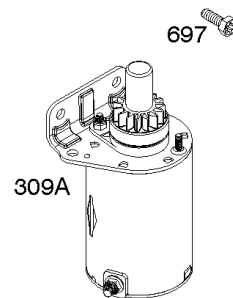
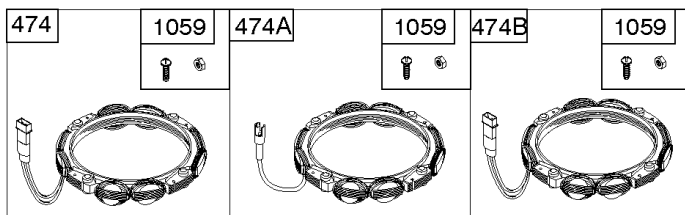
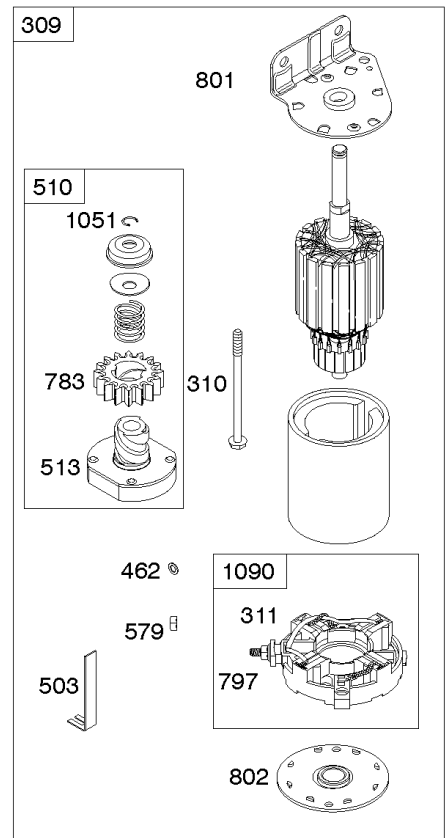
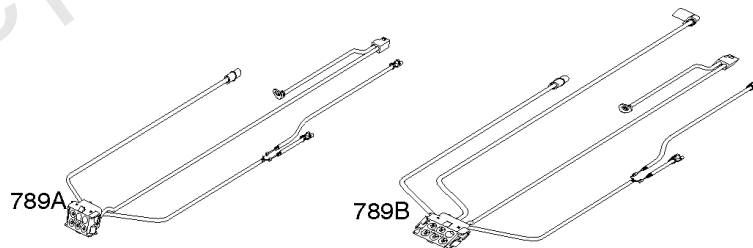
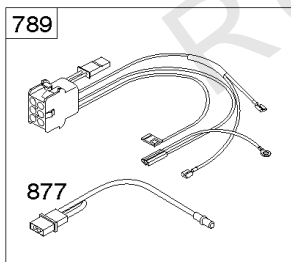
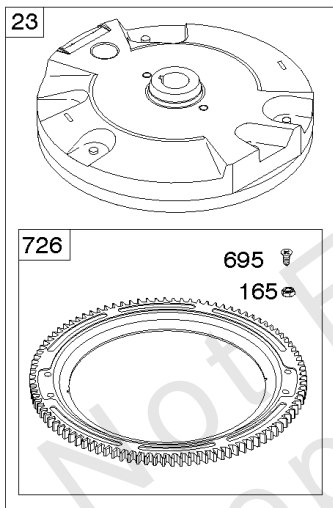
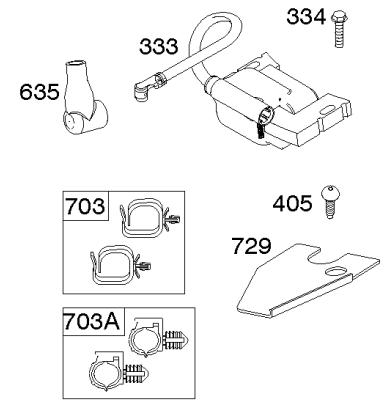
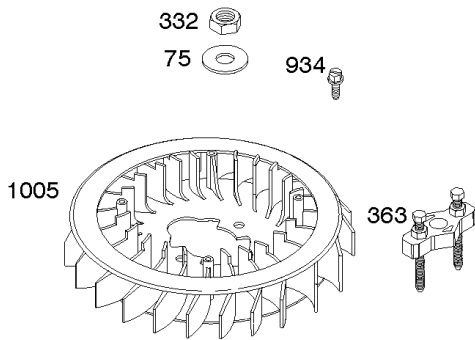
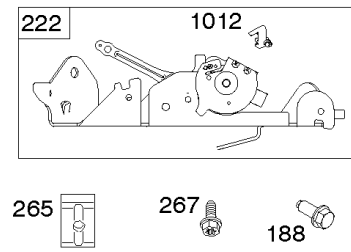
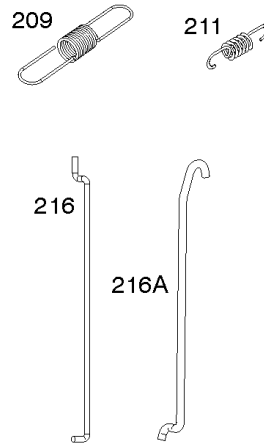
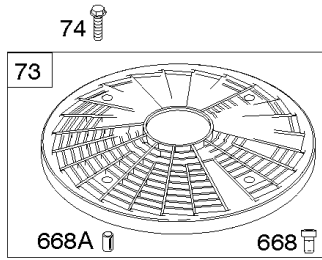
Engine Sump, Oil Pump, Dipstick/Tube Assembly

REF NO	PART NO	QTY	DESCRIPTION
4	796307		SUMP, Engine
12	591911		GASKET, Crankcase
15	690946		PLUG, Oil Drain
20	795387		SEAL, Oil -(PTO Side)
22	694966		SCREW -(Crankcase Cover/Sump)
219	793338		GEAR, Governor
220	799772		WASHER -(Governor Gear)
221	841026		CUP, Governor
239	792028		SWITCH, Oil Pressure
287	697820		SCREW -(Dipstick Tube)
404	690442		WASHER -(Governor Crank)
415	794903		PLUG -(Sump)
523	691036		DIPSTICK
524	691032		SEAL, O-Ring
525	691037		TUBE, Dipstick
552	796638		BUSHING, Governor Crank
552A	690553		BUSHING, Governor Crank
615	698290		RETAINER, Governor Shaft
616	691045		CRANK, Governor
691	790574		SEAL, Governor Shaft
742	690328		RETAINER, E Ring
750	796208		SCREW -(Oil Pump Cover)
842	691031		SEAL, O-Ring -(Dipstick Tube)
847	499602		DIPSTICK/TUBE ASSEMBLY
943	796222		SEAL, O-Ring -(Oil Pump Cover)
965	796221		COVER, Oil Pump
1013	690954		NIPPLE, Oil Filter
1017	796214		SCREEN, Oil Pump
1024	794644		PUMP-OIL
1027	798576		FILTER, Oil -(Orange)
1027	492932S		FILTER, Oil -(Black)



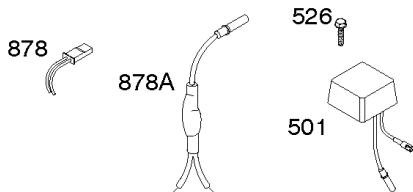
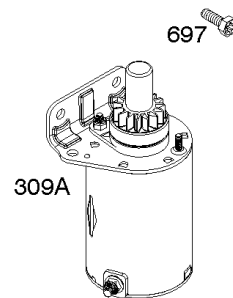
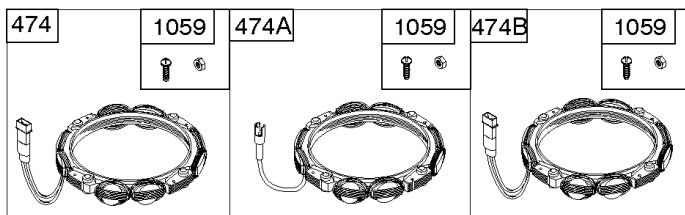
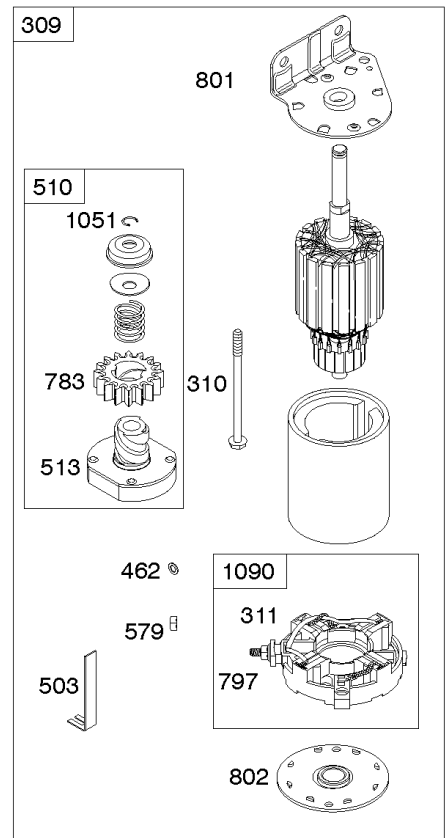
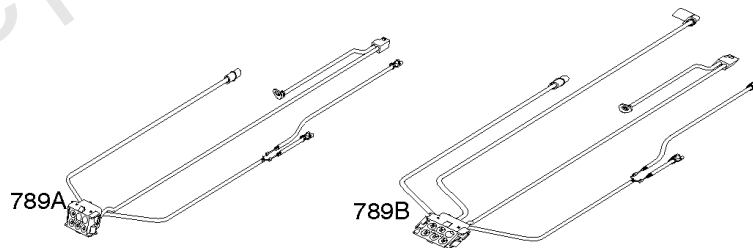
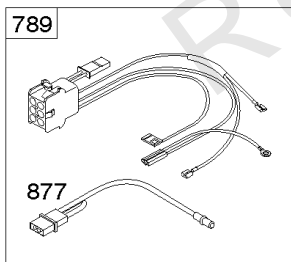
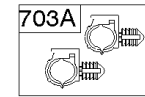
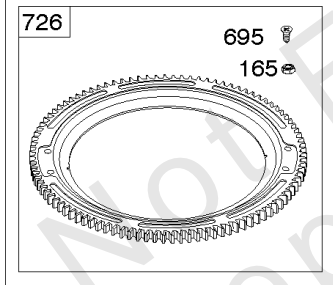
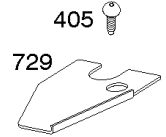
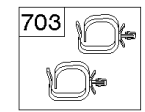
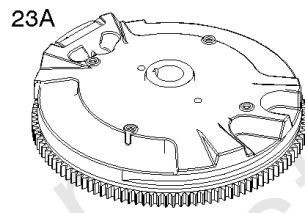
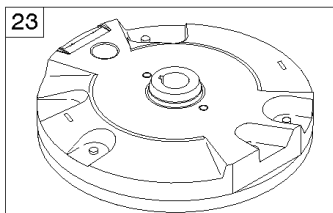
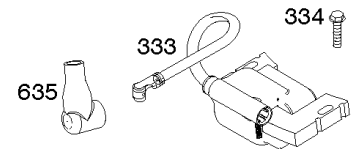
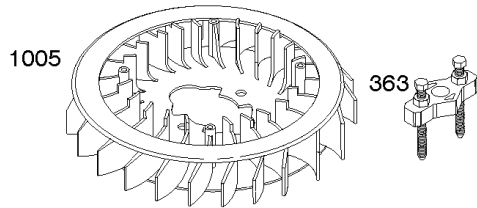
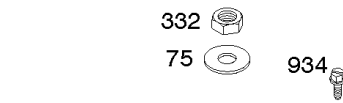
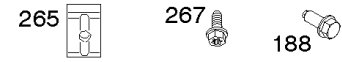
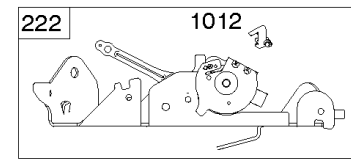
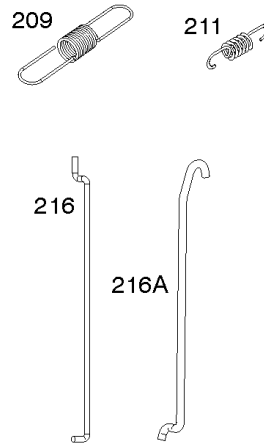
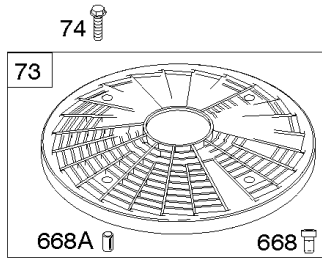
Engine/Valve Gasket Set, Carburetor Overhaul Kit

REF NO	PART NO	QTY	DESCRIPTION
3	391086S		SEAL, Oil -(Magneto Side)
7	693997		GASKET, Cylinder Head
9	690937		GASKET, Breather
12	591911		GASKET, Crankcase
20	795387		SEAL, Oil -(PTO Side)
51	795123		GASKET, Intake
51A	690950		GASKET, Intake
51B	690949		GASKET, Intake
104	694918		PIN, Float Hinge
105	797410		VALVE, Float Needle
121	797890		KIT, Carburetor Overhaul
137	690994		GASKET, Float Bowl
150	841649		GASKET, Nozzle
163	691001		GASKET, Air Cleaner
217	799771		SPRING, Choke Return
276	695410		WASHER, Sealing
358	694012		GASKET SET, Engine
524	691032		SEAL, O-Ring
633	699813		SEAL, Choke/Throttle Shaft
672	690234		GASKET, Carburetor Plate
691	790574		SEAL, Governor Shaft
842	691031		SEAL, O-Ring -(Dipstick Tube)
868	690968		SEAL, Valve
883	690970		GASKET, Exhaust
943	796222		SEAL, O-Ring -(Oil Pump Cover)
987	691000		SEAL, Throttle Shaft
1022	690971		GASKET, Rocker Cover
1095	694013		GASKET SET, Valve
1124	690988		SEAL, O-Ring -(Fuel Transfer Tube)
1124A	841653		SEAL, O-Ring -(Fuel Transfer Tube)



Flywheel, Controls, Wire Harness, Alternator, Starter

REF NO	PART NO	QTY	DESCRIPTION
23	691053		FLYWHEEL
73	494439		SCREEN, Rotating
74	698425		SCREW -(Rotating Screen)
75	691056		WASHER -(Flywheel)
165	693148		NUT -(Ring Gear)
188	691108		SCREW -(Control Bracket)
209	798921		SPRING, Governor -(Orange)
211	691019		SPRING, Governed Idle -(No Color)
216	796229		LINK, Choke -(Choke A Matic)
216A	592575		LINK, Choke
222	592555		BRACKET, Control -(Choke A Matic)
265	691024		CLAMP, Casing
267	792629		SCREW -(Casing Clamp)
309	592599		MOTOR, Starter
310	690323		SCREW -(Starter Motor)
311	497608		SET, Brush
332	691059		NUT -(Flywheel)
333	592846		ARMATURE, Magneto
334	691061		SCREW -(Magneto Armature)
363	19203		PULLER, Flywheel
405	697820		SCREW -(Back Plate)
462	691261		WASHER -(Starter Cable)
474A	592829		ALTERNATOR -(5/9 Amp. Regulated)
474B	592830		ALTERNATOR -(10-16 Amp Regulated)
501	794360		REGULATOR -(5/9 Amp. Regulated)
501A	845907		REGULATOR -(10-16 Amp Regulated)
503	691532		STRAP, Starter
510	696541		DRIVE, Starter
513	692024		CLUTCH, Drive
526	691129		SCREW -(Regulator)
526A	691108		SCREW -(Regulator)
579	691029		NUT -(Starter Cable)
635	66538S		BOOT, Spark PLug
668	691500		SPACER
668A	691215		SPACER
695	693149		SCREW -(Ring Gear)



Flywheel, Controls, Wire Harness, Alternator, Starter

REF NO	PART NO	QTY	DESCRIPTION
697	591909		SCREW -(Starter Motor) (Drive Cap)
703	691010		CLIP
703A	592584		CLIP -(EVAP)
726	499612		GEAR, Ring
729	593826		CLIP, Wire
783	695708		GEAR-PINION
789A	591392		HARNESS, Wiring
797	693167		NUT -(Brush Retainer)
801	691283		CAP, Drive
802	691286		CAP, End
877	790544		WIRE/CONNECTOR, Alternator
878	398661		HARNESS, Wiring
878A	691955		HARNESS, Alternator
934	592604		SCREW -(Fan Retainer)
1005	791236		FAN, Flywheel
1012	592556		RETAINER, Link
1051	691265		RING, Retaining
1059	698516		KIT, Screw/Washer
1090	691293		RETAINER, Brush
1119	691183		SCREW -(Alternator)

Replacement Engine - US & Canada

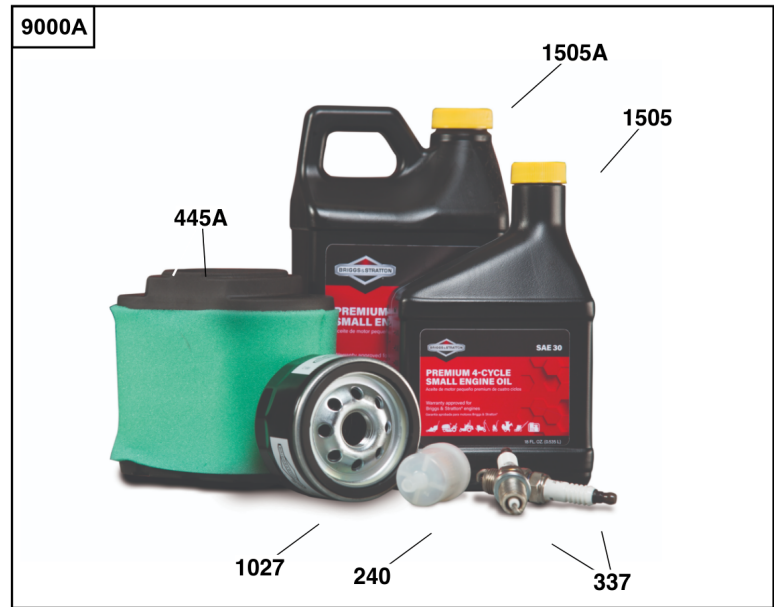
REF NO	PART NO	QTY	DESCRIPTION
	44R8770014	1	Replacement Engine
	698172	1	Replacement Short Block
	-----		Top No-Load Speed: 3300 -Trim: ALL
	-----		Service Note: Transfer Muffler and/or Spark Arrester Assembly from the original engine if suitable for additional service or add new parts as required

Not For Reproduction



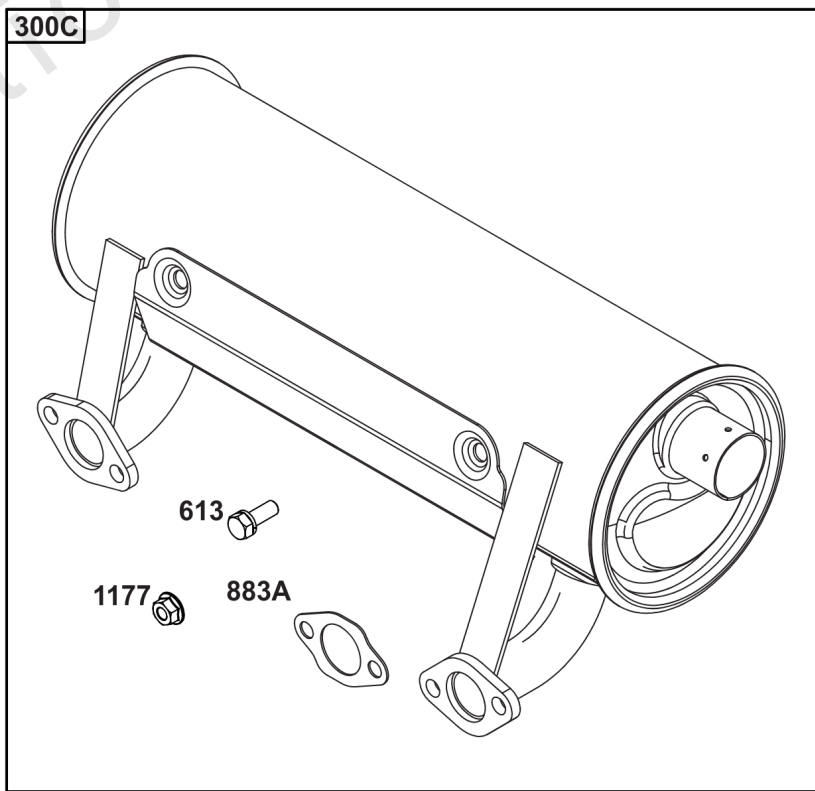
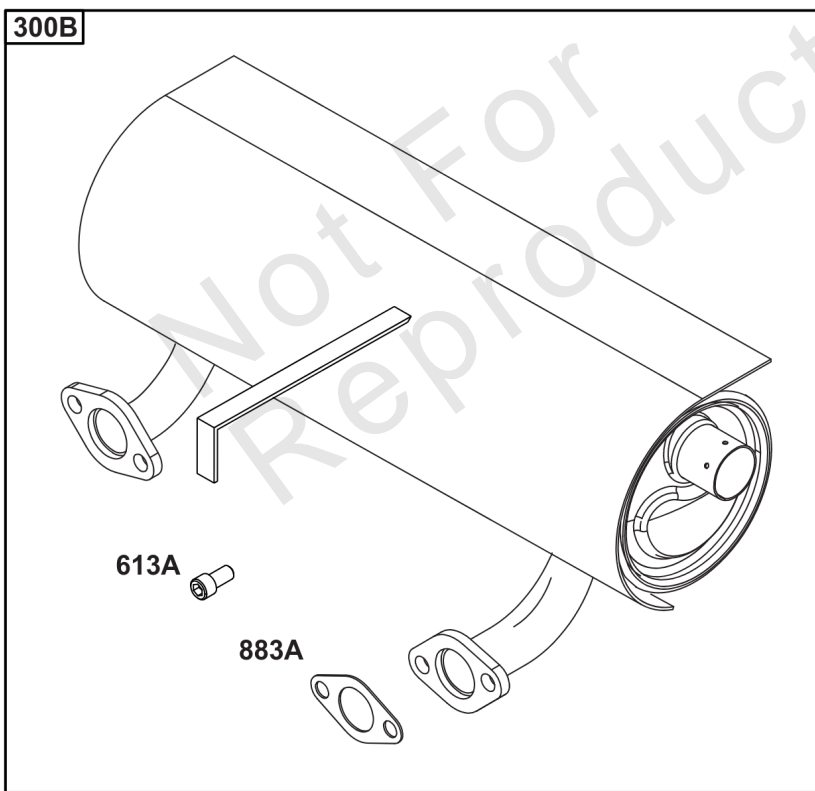
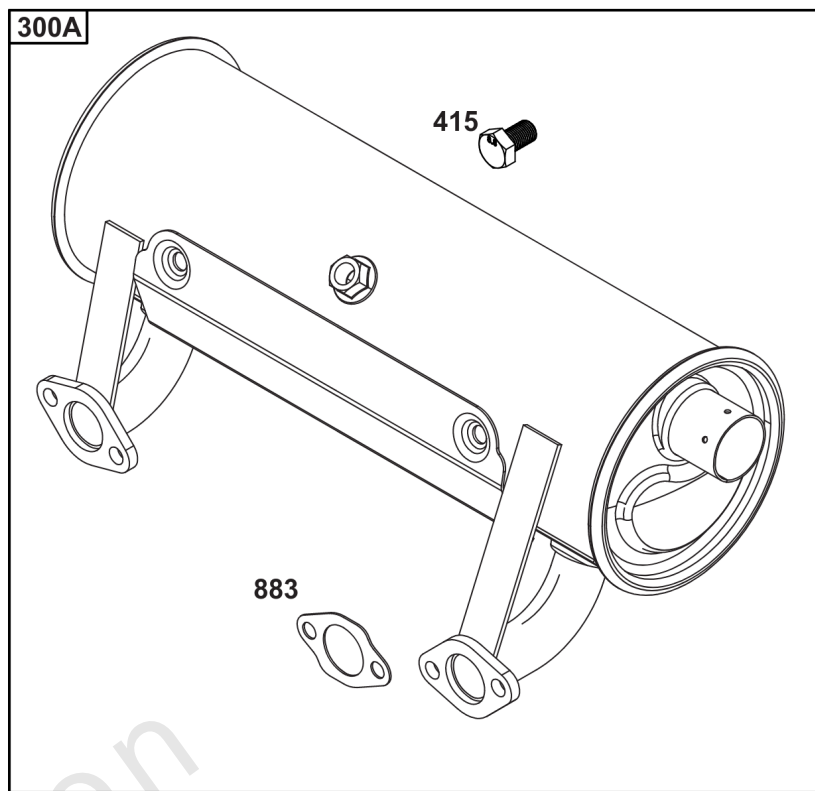
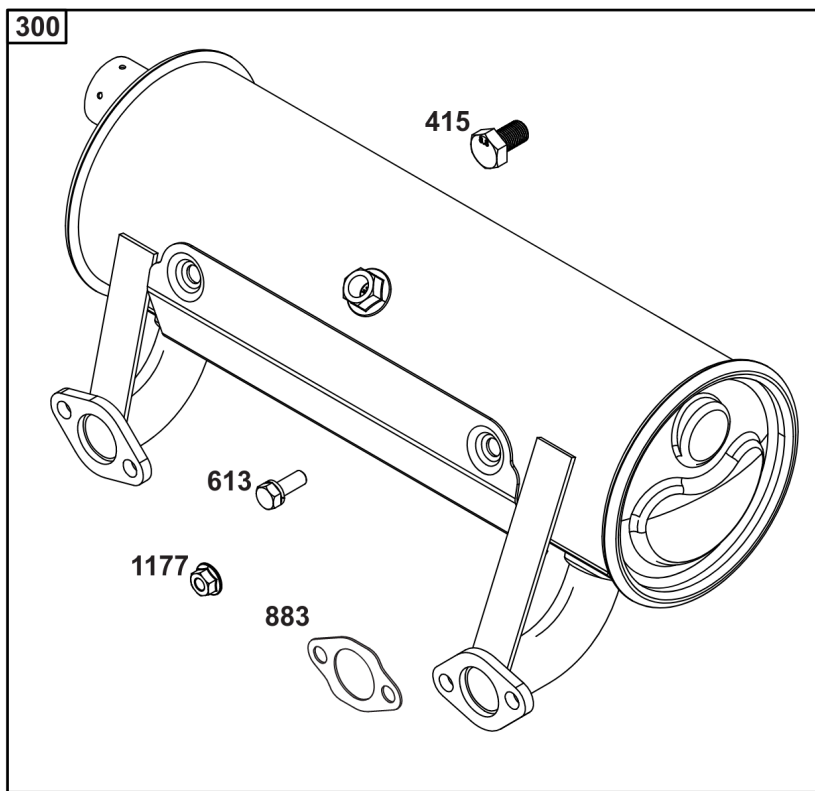
Model 40, 44 & 49 Engine Accessories Catalog

Not For
Reproduction



Maintenance Kits

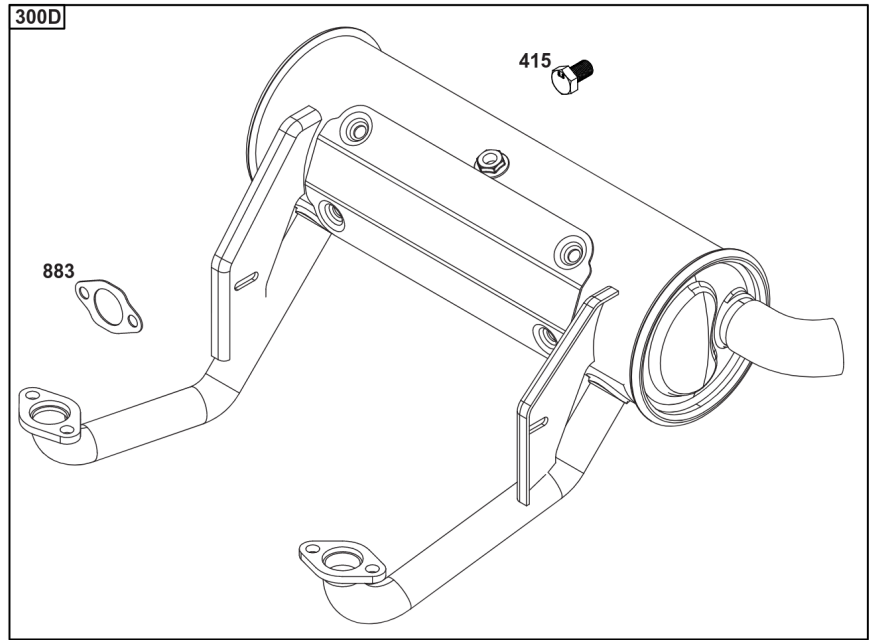
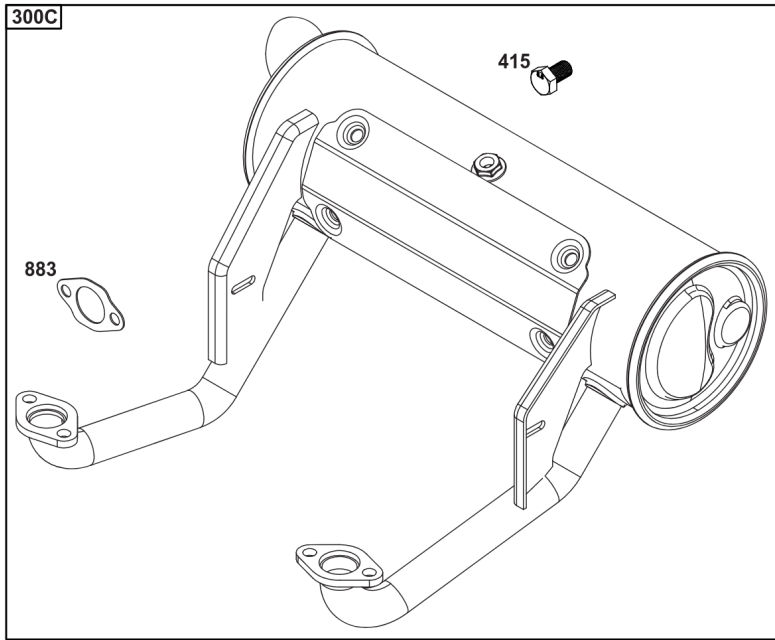
REF NO	PART NO	QTY	DESCRIPTION
9000	84002442		KIT, Maintenance -(Intek / EXi V-Twin Engines) (Do not use with Home Standby Generators.)
9000A	84002317		KIT, Maintenance -(Professional Series™ V-Twin Engines) (Do not use with Home Standby Generators.)
9000B	84002316		KIT, Maintenance -(Commercial Series V-Twin Engines) (Do not use with Home Standby Generators.)
9000C	84002318		KIT, Maintenance -(Oil Guard™ Engines) (Do not use with Home Standby Generators.)
9000D	84002315		KIT, Maintenance -(Non-Oil Guard™ Engines) (Do not use with Home Standby Generators.)
240	84001895	1	FILTER, Fuel -(40 Micron)
240A	845125	1	FILTER, Fuel -(20 Micron)
337	491055S	2	PLUG, Spark
445	594201	1	FILTER, A/C Cartridge
445A	792105	1	FILTER, A/C Cartridge
445B	798897	1	FILTER, A/C Cartridge
445C	841497	1	FILTER, A/C Cartridge
967	797704	1	FILTER, Pre Cleaner
1027	492932S	1	FILTER, Oil -(Standard)
1027A	696854	1	FILTER, Oil -(Premium)
1027B	842921	1	FILTER, Oil -(Vanguard®)
1027C	84007094	1	FILTER, OIL -(Oil Guard™)
1505	100005		OIL-4 CYCLE 30W 18OZ. -(18 oz. Bottle)
1505A	100028		OIL-4 CYCLE30W 48OZ -(48 oz. Bottle)
1505B	100170		OIL-5QT VANGUARD (CASE) -(5 qt. Bottle)
1505C	100169		OIL-1QT VANGUARD (CASE) -(1 qt. Bottle)



Engine Mounted Below Deck Mufflers

REF NO	PART NO	QTY	DESCRIPTION
300	594584	1	KIT-MUFFLER/GUARD -(Oil Filter Side Outlet) (Engine Supported) (O2 Sensor Port)
300A	593877	1	MUFFLER -(Starter Side Outlet) (Engine Supported) (O2 Sensor Port)
300B	594583	1	MUFFLER -(Starter Side Outlet) (Engine Supported) (No O2 Sensor Port)
300C	692120	1	MUFFLER -(Starter Side Outlet) (No O2 Sensor Port)
415	596859	1	PLUG -(O2 Sensor Port)
613	690341	4	SCREW -(Muffler)
613A	690363	4	SCREW -(Muffler)
883	594365	2	GASKET, Exhaust
883A	690970	2	GASKET, Exhaust
1177	690941	4	NUT -(Muffler)

Not For Reproduction



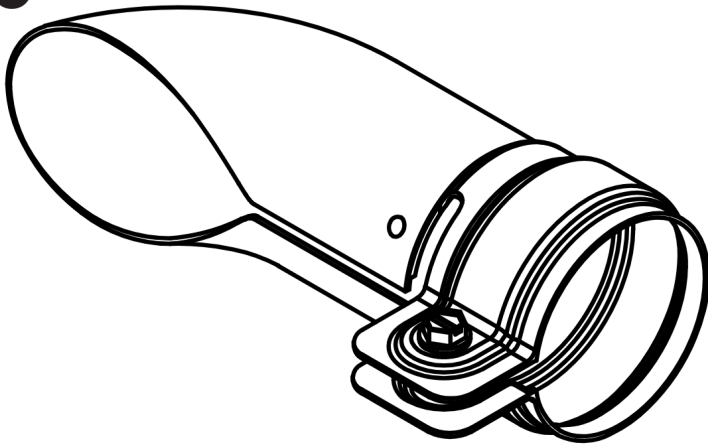
Not For
Reproduction

Engine Mounted Above Deck Mufflers

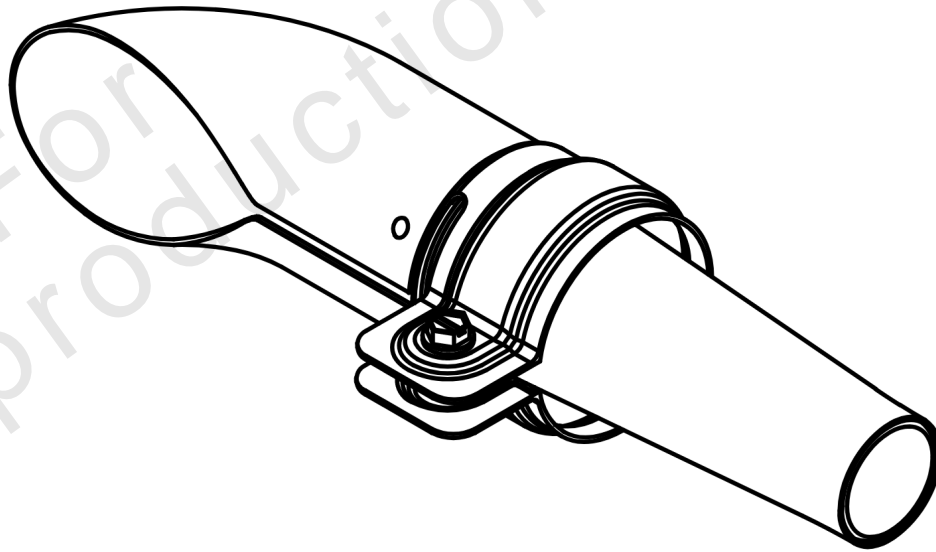
REF NO	PART NO	QTY	DESCRIPTION
300C	595138	1	MUFFLER -(Oil Filter Side Outlet) (Self-Supporting) (O2 Sensor Port)
300D	595139	1	MUFFLER -(Starter Side Outlet) (Self-Supporting) (O2 Sensor Port)
415	596859	1	PLUG -(O2 Sensor Port)
883	594365	2	GASKET, Exhaust

Not For Reproduction

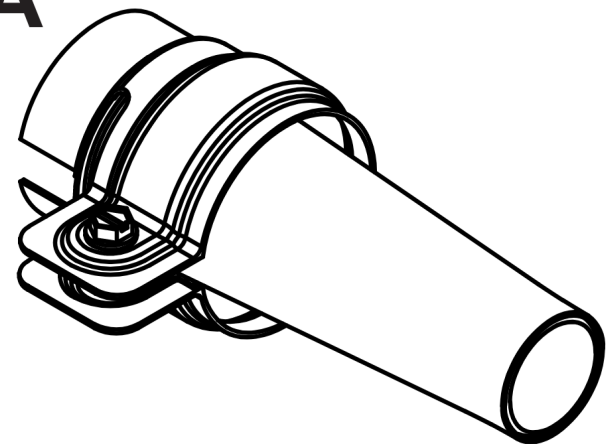
676



994



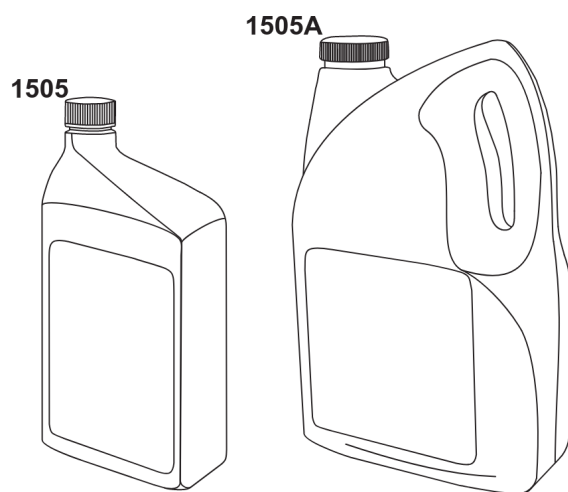
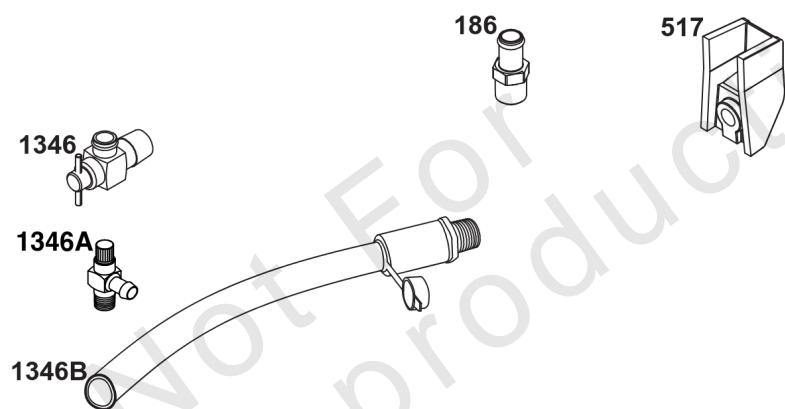
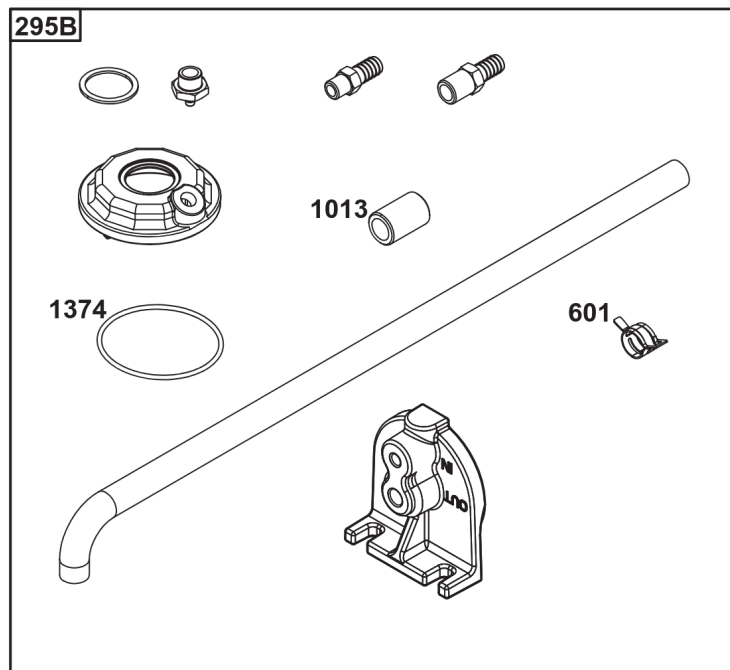
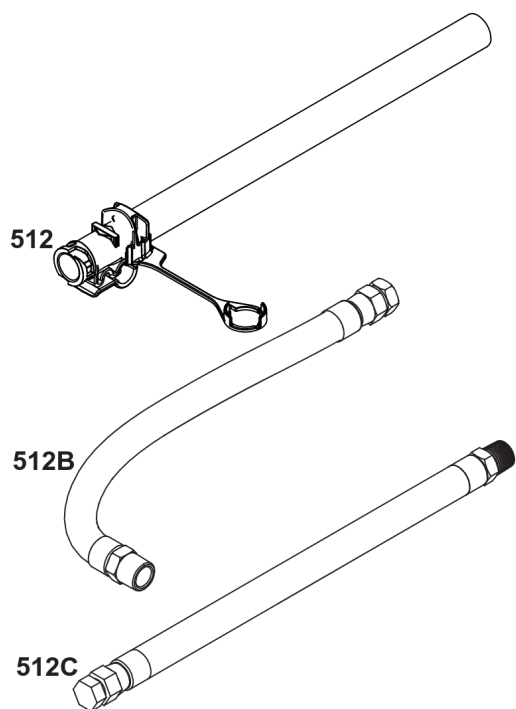
994A



Spark Arrester/Deflector

REF NO	PART NO	QTY	DESCRIPTION
676	593869	1	DEFLECTOR, Muffler -(For Below Deck Mufflers Only)
994	593885	1	ARRESTOR, Spark -(For Below Deck Mufflers Only)
994A	593868	1	ARRESTOR, Spark -(For Below Deck Mufflers Only)

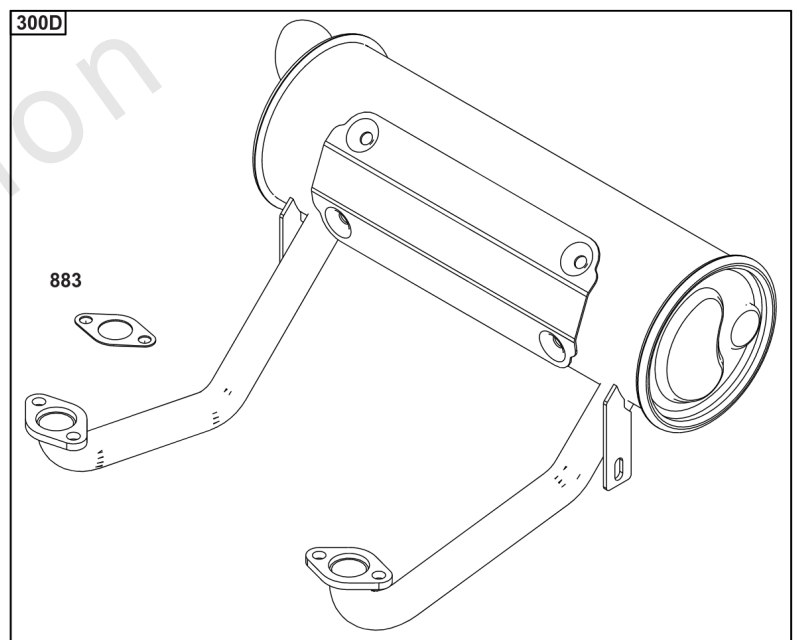
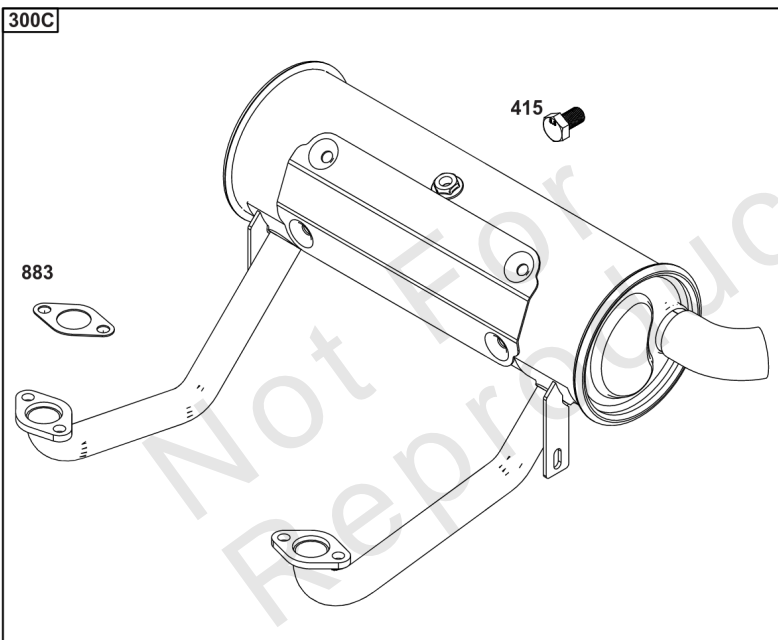
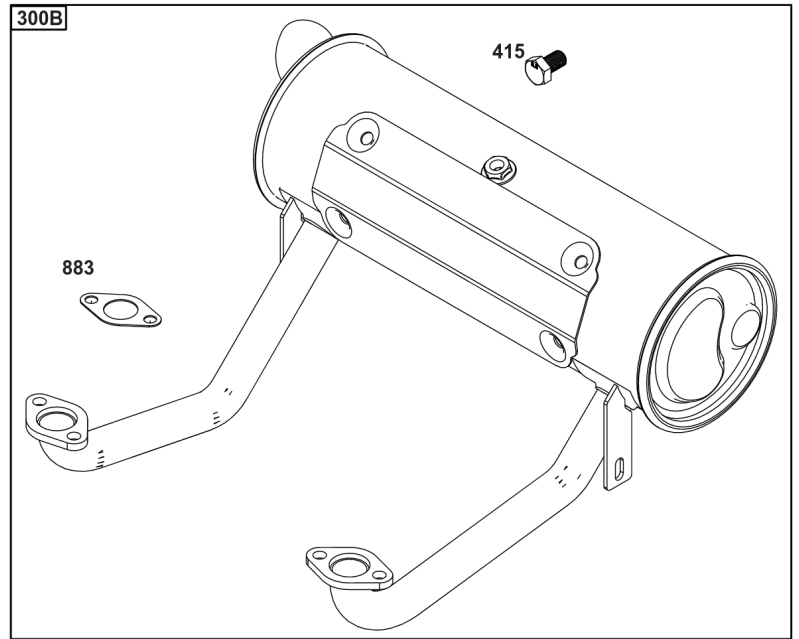
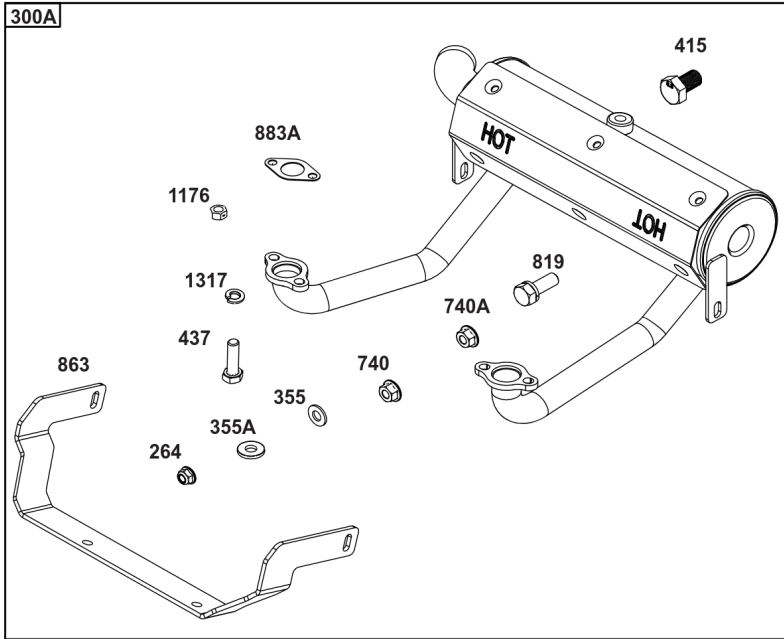
Not For Reproduction



Lubrication

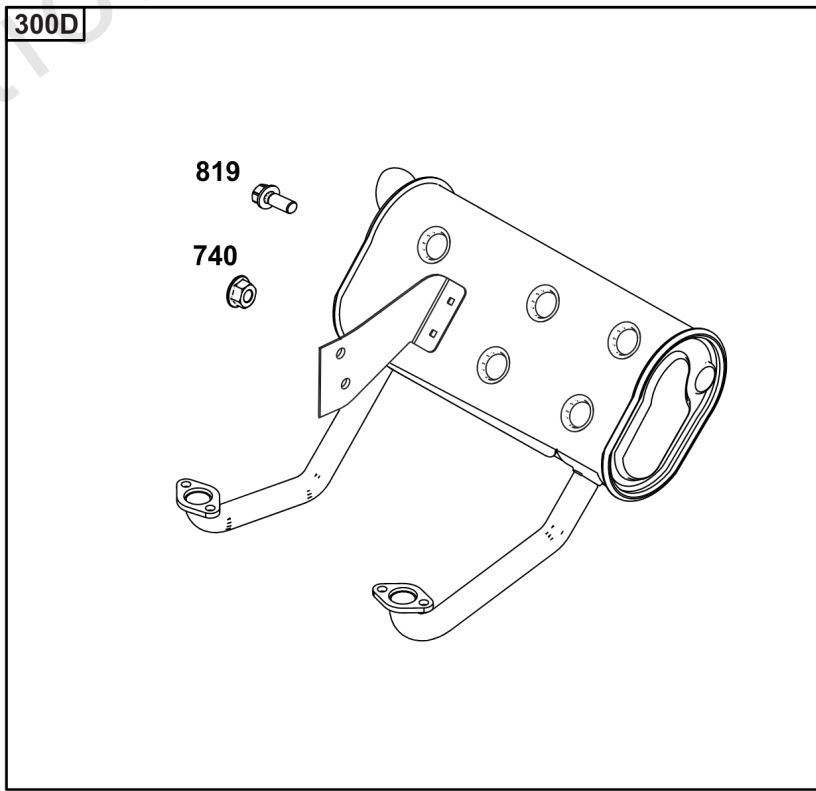
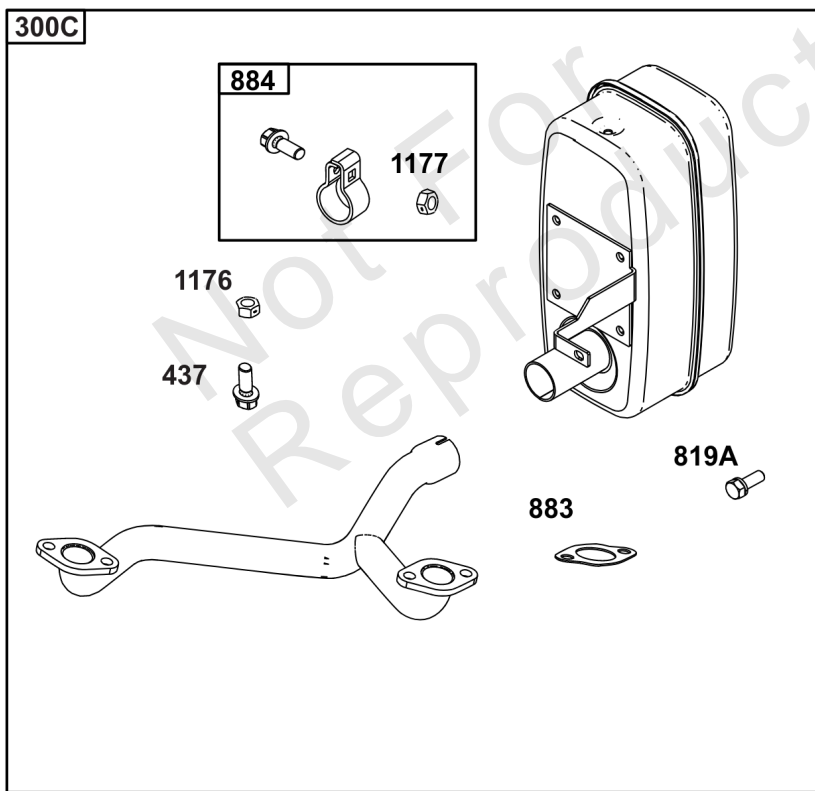
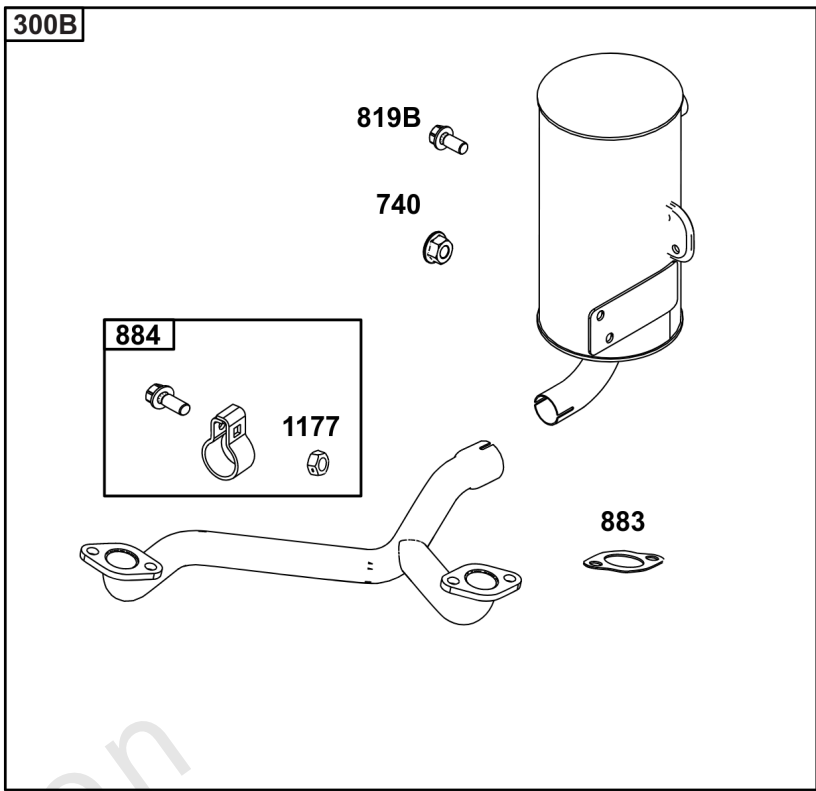
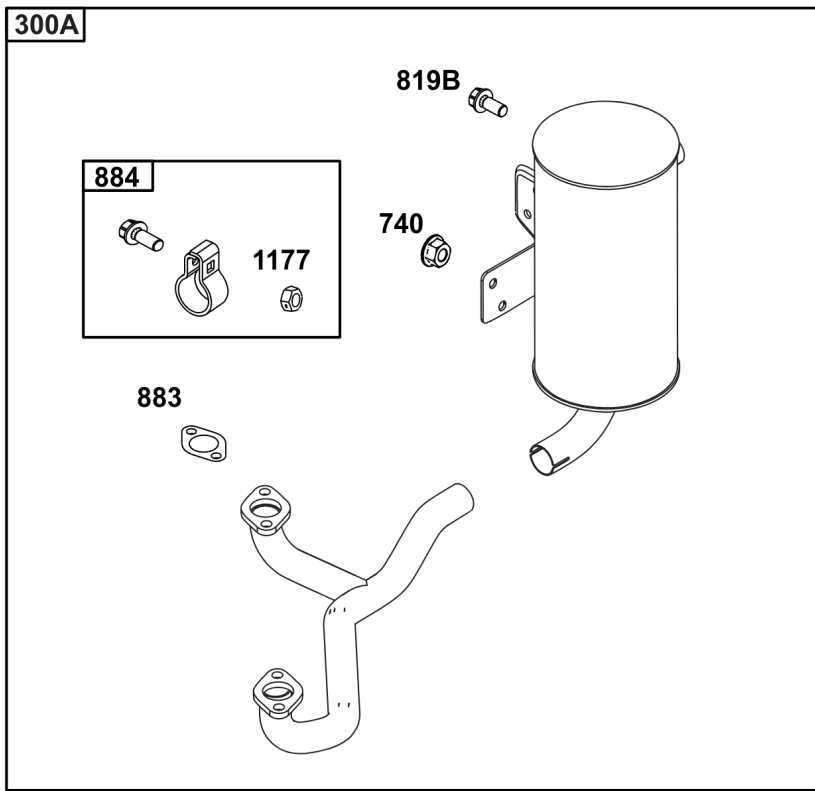
REF NO	PART NO	QTY	DESCRIPTION
186	796532	1	CONNECTOR, Hose -(Threaded Engine Block Connector for EZ-Oil Drain Hose) (Order hose separate)
239	690233	1	SWITCH, Oil Pressure -(2-4 PSI Normally-Closed Switch)
239A	491657S	1	SWITCH, Oil Pressure -(3-5 PSI Normally-Closed Switch)
239B	841281	1	SWITCH, Oil Pressure -(7-10 PSI Normally-Closed Switch)
239C	694115	1	SWITCH, Oil Pressure -(9-13 PSI Normally-Closed Switch)
239D	697049	1	SWITCH, Oil Pressure -(3-6 PSI Normally-Open Switch)
295B	594271	1	ADAPTER, Remote Oil Filter -(Remote Oil Filter Kit)
512	594200	1	HOSE, Oil Drain -(EZ-Oil Drain Hose, 10.5") (Order threaded engine block connector separate)
512	593635	1	HOSE, Oil Drain -(EZ-Oil Drain Hose, 13.75") (Order threaded engine block connector separate)
512B	1723165SM	1	HOSE, Oil Drain, 10-1/2" Long, 3/8-18 Fittings -(10.5")
512C	5048681SM	1	HOSE, OIL DRAIN -(12.5")
517	593633	1	RETAINER, Oil Drain
601	841597	4	CLAMP, Hose
1013	690954	1	NIPPLE, Oil Filter
1346	844802	1	VALVE, Oil Drain Shut Off
1346A	492031	1	VALVE, Oil Drain Shut Off
1346B	5401WEB	1	VALVE, Oil Drain Shut Off -(1/4 Turn Oil Drain Valve with Hose)
1374	796863	1	SEAL, O-Ring
1505	100169		OIL-1QT VANGUARD (CASE) -(1 qt. Bottle)
1505A	100170		OIL-5QT VANGUARD (CASE) -(5 qt. Bottle)

Implement Mounted Above Deck Mufflers



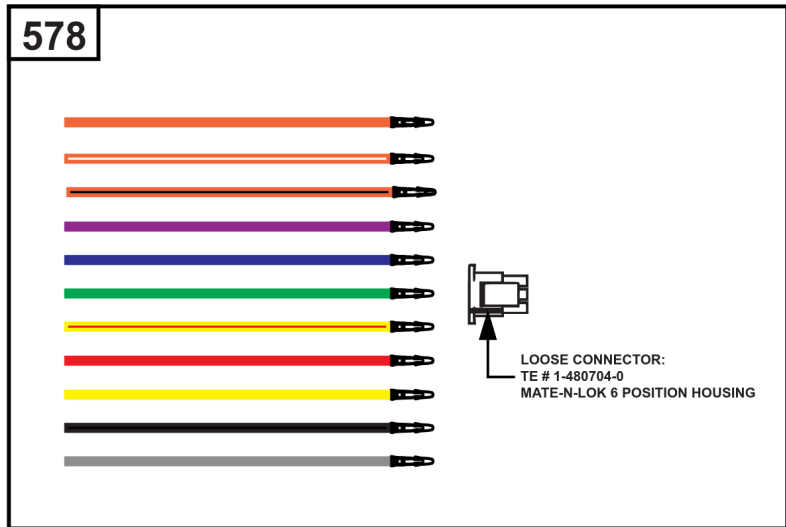
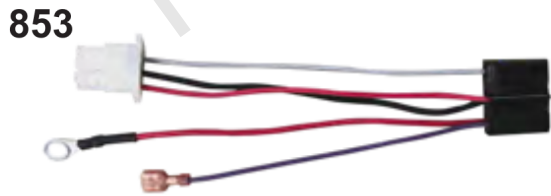
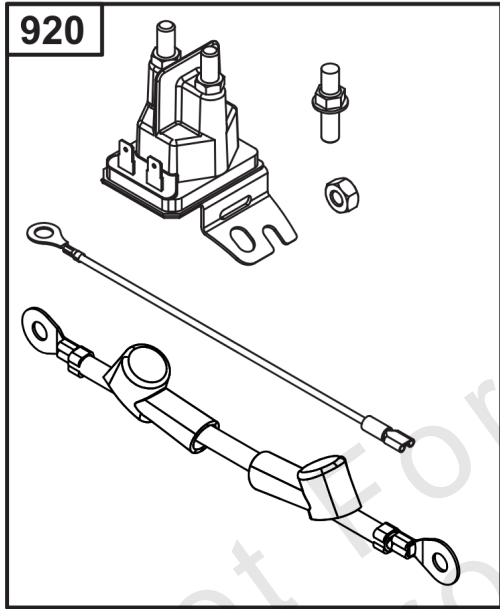
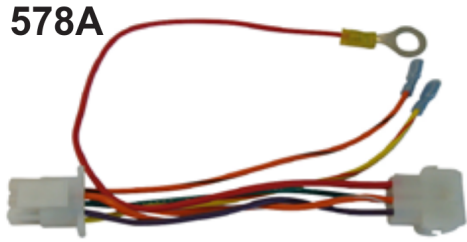
Implement Mounted Above Deck Mufflers

REF NO	PART NO	QTY	DESCRIPTION
300A	594585	1	MUFFLER -(Oil Filter Side Outlet) (Implement Supported) (O2 Sensor Port)
300B	595134	1	MUFFLER -(Oil Filter Side Outlet) (O2 Sensor Port)
300C	595135	1	MUFFLER -(Starter Side Outlet) (O2 Sensor Port)
300D	595136	1	MUFFLER -(Oil Filter Side Outlet)
264	703465	4	NUT, 5/16-18, GR5 -(Muffler Adapter)
355	5025292SM	4	WASHER, 5/16" GD.9 FL -(Muffler Bracket)
355A	5025155SM	2	WASHER, 5/16 -(Muffler Bracket)
415	596859	1	PLUG -(O2 Sensor Port)
437	703585	4	CAPSCREW, 5/16-18X1 -(Exhaust Manifold)
740	703164	2	NUT -(Muffler Bracket)
740A	703115	2	NUT -(Muffler Bracket)
819	690341	4	SCREW -(Muffler Bracket)
863	597480	1	BRACKET, Muffler
883	594365	2	GASKET, Exhaust
883A	690970	2	GASKET, Exhaust
1176	690941	4	NUT -(Exhaust Manifold)
1317	703116	4	LCKWSHR -(Exhaust Manifold)



Exhaust/Muffler Configurations

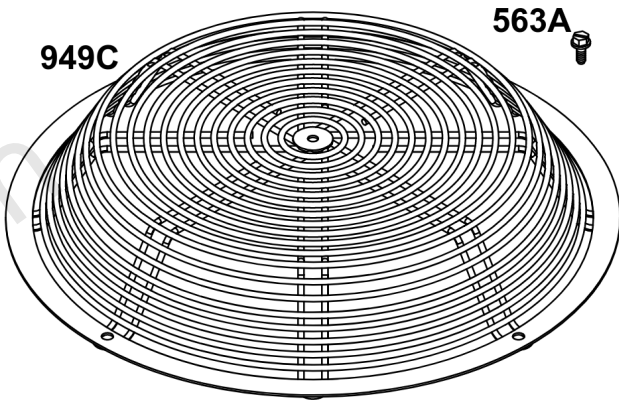
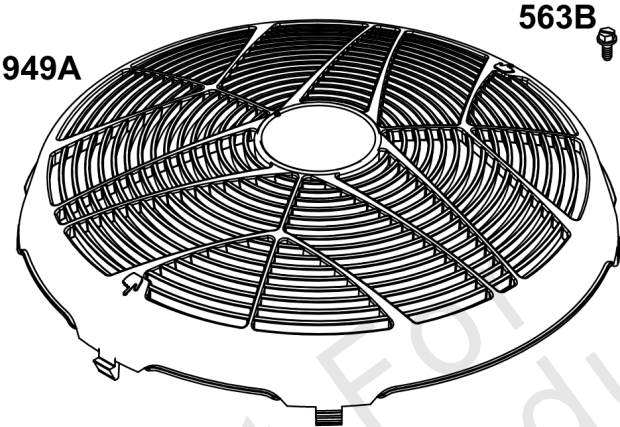
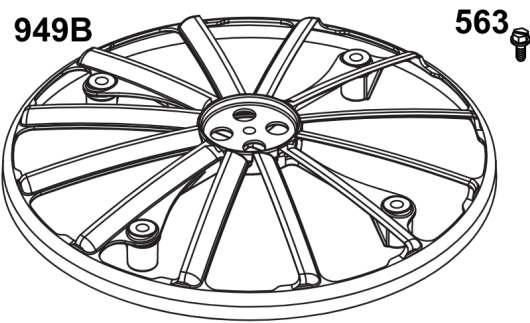
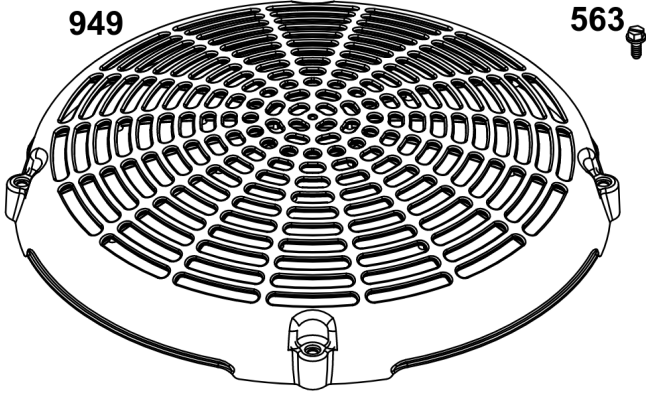
REF NO	PART NO	QTY	DESCRIPTION
300A	771127	1	MUFFLER -(Oil Filter Side Outlet)(Commercial & Professional Series)
300B	771128	1	MUFFLER -(Starter Side Outlet)(Commercial & Professional Series)
300C	595822	1	MUFFLER -(Starter Side Outlet)(Commercial & Professional Series)
300D	84003680	1	MUFFLER -(Oil Filter Side Outlet) (Commercial & Professional Series)(Vanguard 810 & 810 EFI) (Compatible with 593868 Spark Arrester, 593885 Spark Arrester with Deflector.) (Equipped with plug for blocking off O2 sensor port for non EFI engines.)
437	690341	4	SCREW -(Exhaust Manifold)
740	704067	2	NUT, HEX FLNG,5/16-18 -(Muffler Bracket)
819	592604	2	SCREW -(Muffler Bracket)
819A	695629	4	SCREW -(Muffler Bracket)
819B	692062	2	SCREW -(Muffler Bracket)
883	594365	2	GASKET, Exhaust
884	691956	1	CLAMP, Muffler
1176	690941	4	NUT -(Exhaust Manifold)
1177	793859	1	NUT -(Muffler)



Electrical

REF NO	PART NO	QTY	DESCRIPTION
578	84007350	1	WIRE ASSEMBLY -(Wire Harness Adapter Aids in repowering engine application with Male 6-Pin connector and wires create custom adapter configurations.)
578A	19631	1	TOOL, CUSTOM HARNESS -(6-pin Wire Harness Adapter) (Aids in repowering engine application to an EFI engine)
853	84003359	1	ADAPTER, WIRE -(Wire Harness Adapter) (Aids in repowering ExMark) (Flat 6-spade connector to Briggs & Stratton 6-Pin connector)
920	84002147	1	SOLENOID, STARTER -(Starter Solenoid Kit) (Aids in Repowering when original is solenoid shift)
983	5103809YP	1	LIGHT, Indicator -(MIL Light Indicator) (LED Red)
1616	19626	1	CODE READER -(Tiny Scan Code Reader)

Not For Reproduction

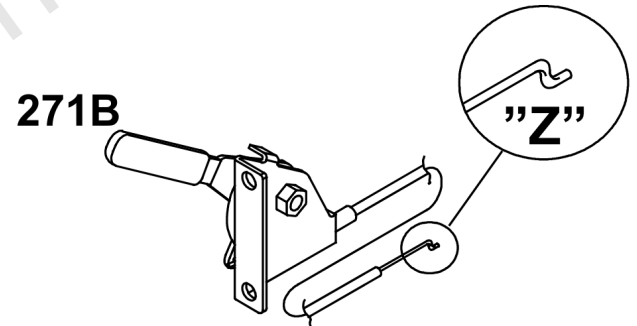
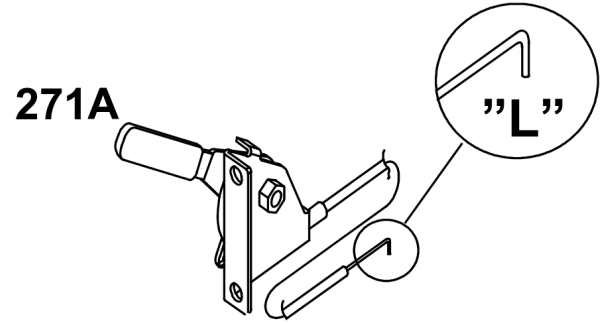
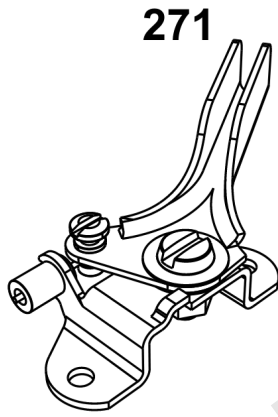
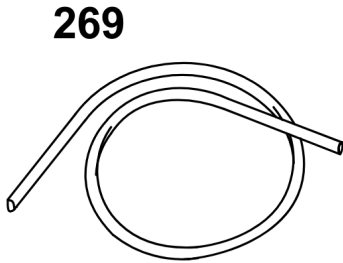
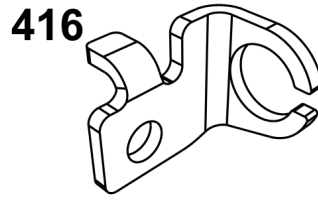
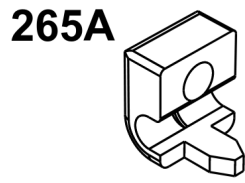
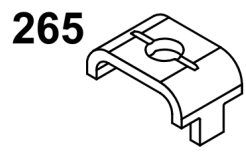


Not For
Reproduction

Flywheel Guards

REF NO	PART NO	QTY	DESCRIPTION
563	799360	1	SCREW -(Debris Screen Guard)
563A	597574	1	SCREW -(Debris Screen Guard)
563B	799359	1	SCREW -(Debris Screen Guard)
949	799357	1	GUARD, Debris Screen -(Static Cover Flywheel) (Requires 4 x 799360 Screw)
949A	797420YP	1	GUARD, Debris Screen -(Static Cover Flywheel High Flow) (Requires 4 x 799360 Screw)
949B	593206	1	GUARD, Debris Screen -(Static Cover Flywheel) (Requires 4 x 799359 Screw)
949C	597573	1	GUARD, Debris Screen -(Wire Static Flywheel Cover) (Requires 4x 597574 Screw) (For Commercial Series)

Not For Reproduction

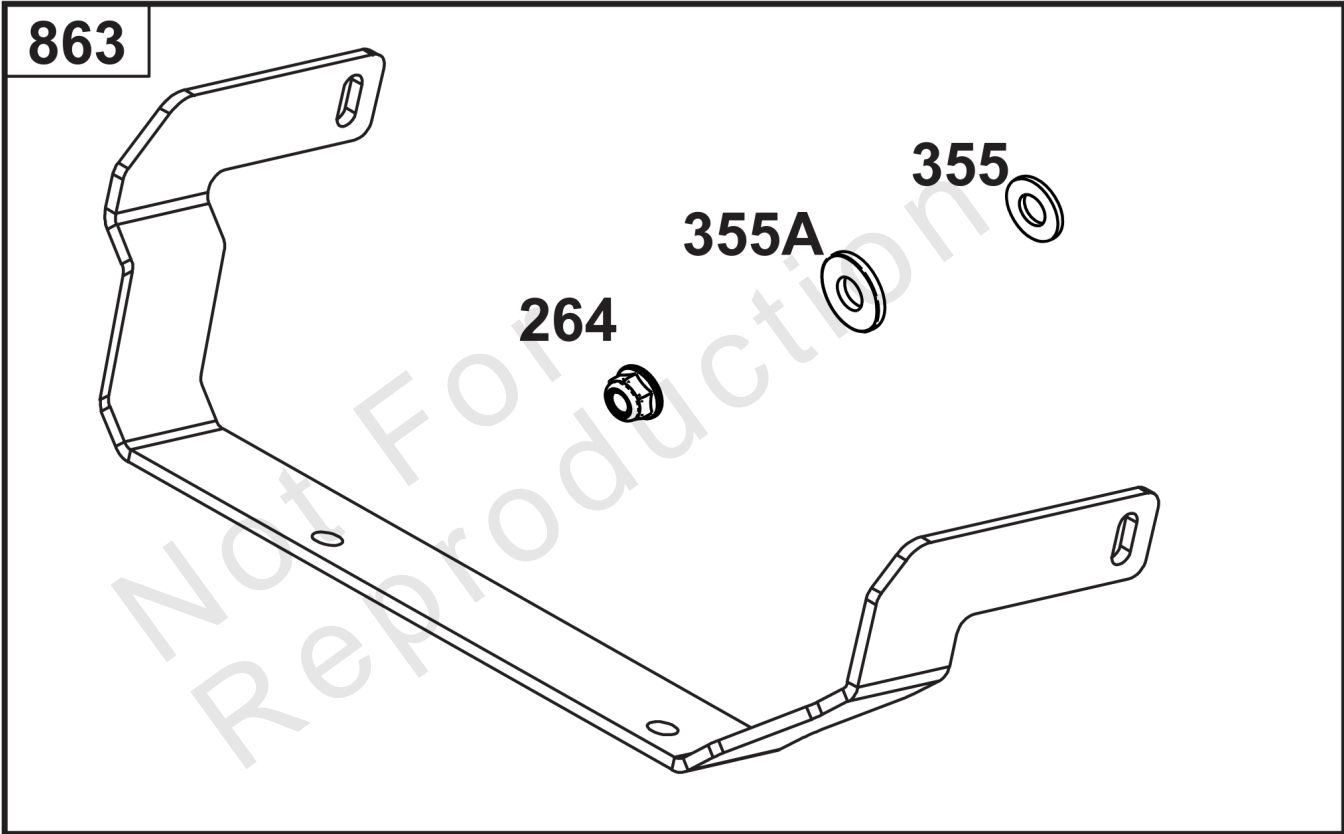
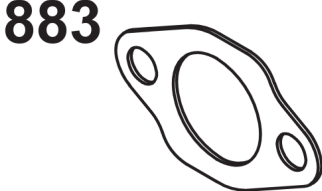


Not For
Reproduction

Speed Control

REF NO	PART NO	QTY	DESCRIPTION
265	691024	1	CLAMP, Casing -(Casing Clamp for Hard Casing)
265A	690798	1	CLAMP, Casing -(Casing Clamp for Soft Casing)
267	792629	1	SCREW -(Screw for Casing Clamp)
269	93907	1	WIRE, Control -(Control Wire 100')
271	691028	1	LEVER, Control -(Speed Control Lever Assembly)
271A	692105	1	LEVER, Control -(“L” formed end Speed Control Lever Assembly)
271B	692541	1	LEVER, Control -(“Z” formed end Speed Control Lever Assembly)
416	595196	1	BRACKET, Throttle Cable -(Casing Clamp for Snap-In Casing)

Not For Reproduction



Muffler Mounting Hardware

REF NO	PART NO	QTY	DESCRIPTION
264	703465	4	NUT, 5/16-18, GR5 -(Muffler Adapter)
296	591756	4	STUD -(Muffler)
355	5025292SM	4	WASHER, 5/16" GD.9 FL -(Muffler Bracket)
355A	5025155SM	2	WASHER, 5/16 -(Muffler Bracket)
613	690341	4	SCREW -(Muffler)
613A	690363	4	SCREW -(Muffler)
863	597480	1	BRACKET, Muffler
883	594365	2	GASKET, Exhaust
883A	690970	2	GASKET, Exhaust
1177	690941	4	NUT -(Muffler)

Not For Reproduction

