



# Parts Manual

Mfg. No: 44N877-0001-G1

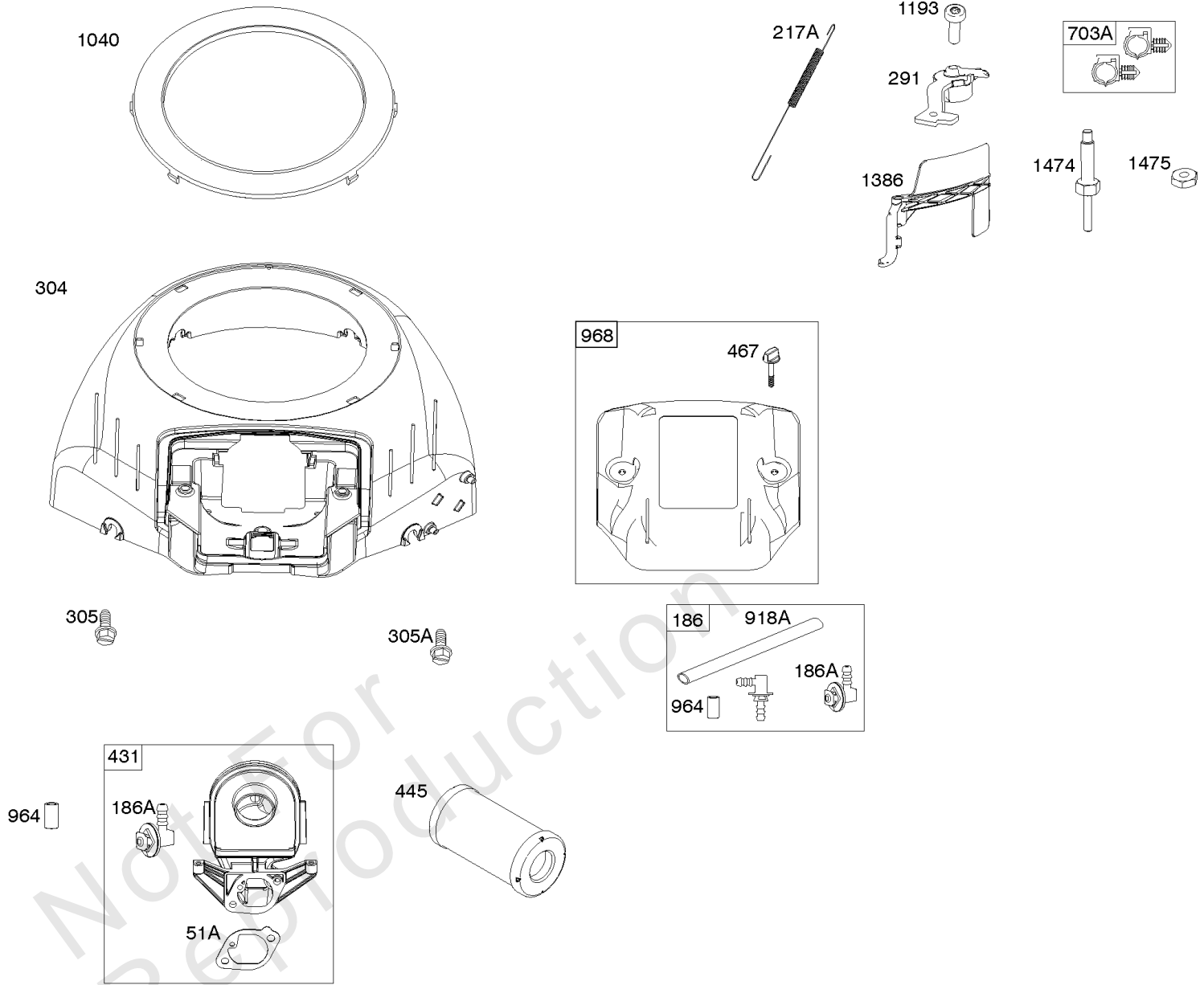


<b>Model Components</b>	<b>Page</b>
Blower Housing, Air Cleaner. ....	4
Carburetor, Fuel Filter. ....	6
Cylinder Head, Rocker Arm Cover, Intake Manifold. ....	8
Cylinder, Crankshaft, Camshaft, Air Guides. ....	10
Engine Gasket Set, Valve Gasket Set. ....	14
Engine Sump, Oil Pump, Dipstick/Tube Assembly. ....	16
Flywheel, Alternator, Starter, Wire Harness. ....	18
Replacement Engine - US & Canada. ....	20
Model 40, 44 & 49 Engine Accessories Catalog. ....	21
Maintenance Kits. ....	22
Engine Mounted Below Deck Mufflers. ....	24
Engine Mounted Above Deck Mufflers. ....	26
Spark Arrester/Deflector. ....	28
Lubrication. ....	30
Implement Mounted Above Deck Mufflers. ....	32
Exhaust/Muffler Configurations. ....	34
Electrical. ....	36
Flywheel Guards. ....	38
Speed Control. ....	40
Muffler Mounting Hardware. ....	42

Not For  
Reproduction

# Blower Housing, Air Cleaner

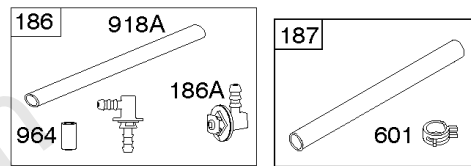
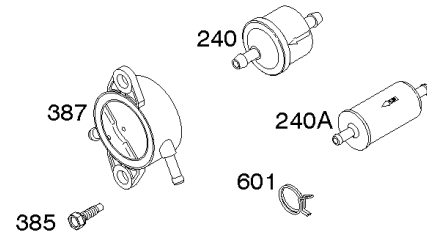
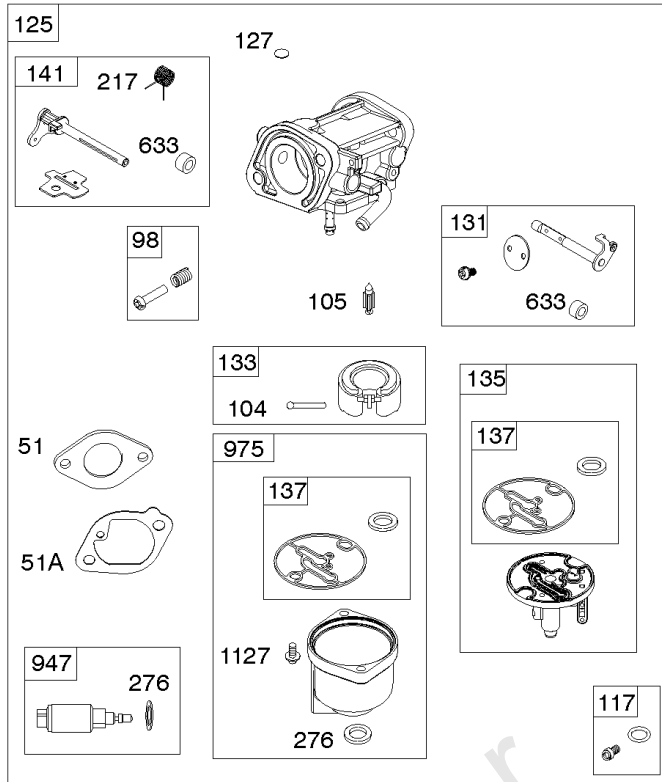
Mfg. No: 44N877-0001-G1



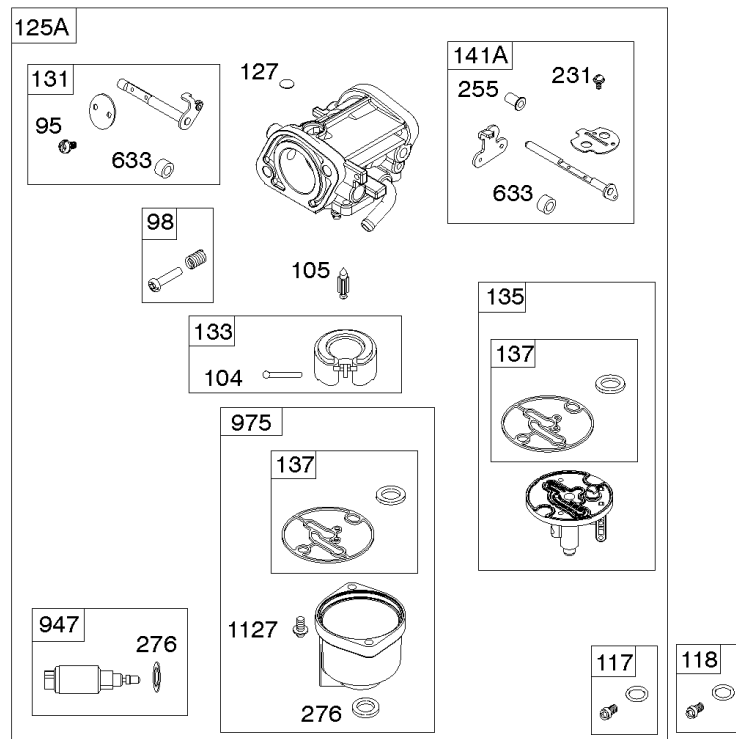


## Blower Housing, Air Cleaner

REF NO	PART NO	QTY	DESCRIPTION
51A	594203		GASKET, Intake
186	796532		CONNECTOR, Hose -(Oil Drain)
186A	799158		CONNECTOR, Hose -(EVAP)
291	592581		THERMOSTAT
304	591656		HOUSING, Blower -(Black)
305	790690		SCREW -(Blower Housing) (Blower Housing To Intake Elbow)
305A	594618		SCREW -(Blower Housing) (Blower Housing)
431	594205		ELBOW, Intake
445	594201		FILTER, A/C Cartridge
467	591660		KNOB, Air Cleaner Cover -(7/8" Long)
703A	592584		CLIP
918A	799160		HOSE, Vacuum -(Length 9.4 Inches)
964	799159		CAP, Connector
968	591658		COVER, Air Cleaner -(Black)
1040	791237		PLATE, Trim
1193	592577		SCREW -(Thermostat)
1386	592580		VANE, Air
1474	592579		STUD -Air Vane
1475	592578		NUT -Air Vane



Not For  
Reproduction

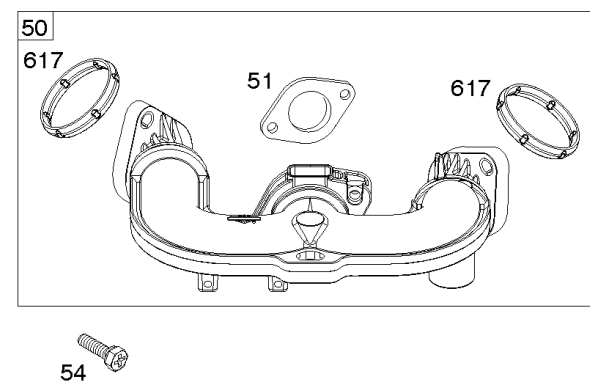
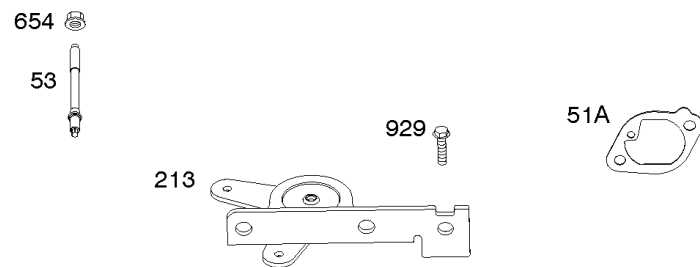
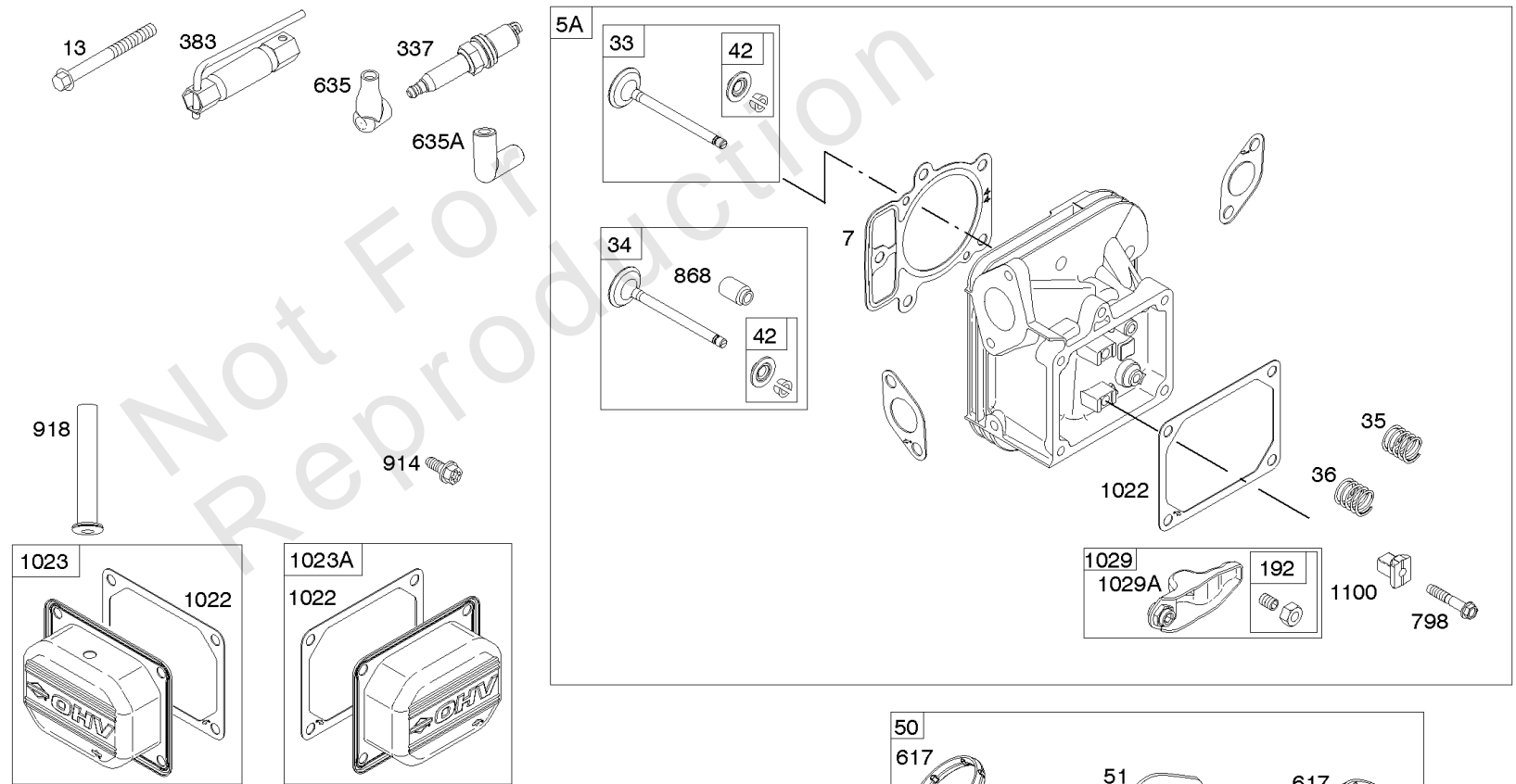
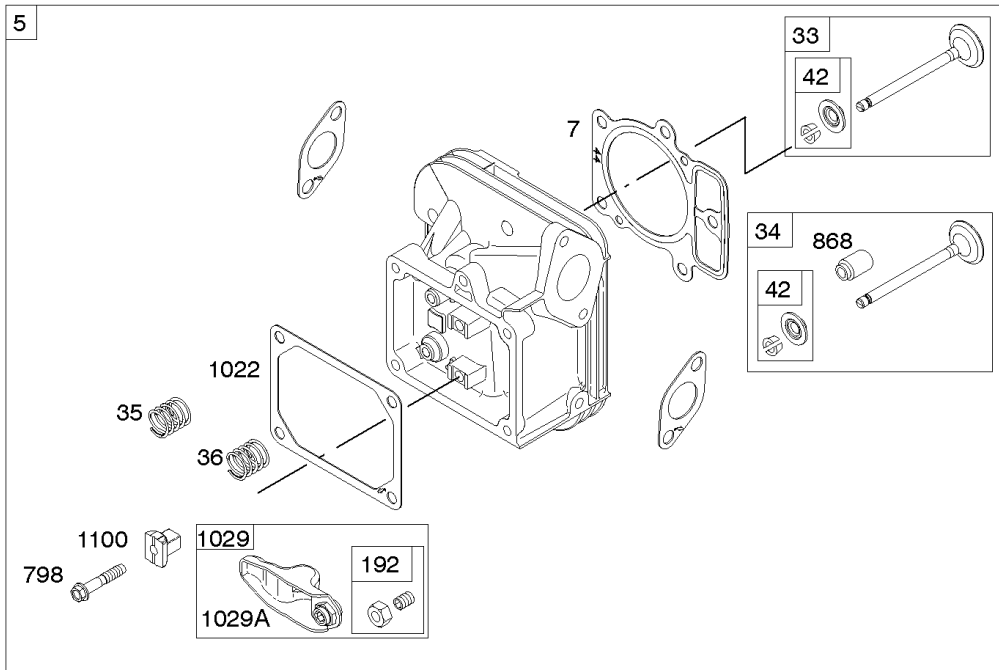


## Carburetor, Fuel Filter

REF NO	PART NO	QTY	DESCRIPTION
51	594204		GASKET, Intake
51A	594203		GASKET, Intake
95	690718		SCREW -(Throttle Valve)
98	695408		KIT, Idle Speed
104	694918		PIN, Float Hinge
105	698537		VALVE, Float Needle
117	842139		JET, Main -(Standard)
118	842627		JET, Main -(High Altitude)
125	594530		CARBURETOR
127	699810		PLUG, Welch
131	594210		KIT, Throttle Shaft -Used Before Code Date 18120100
133	694914		FLOAT, Carburetor
135	591701		TUBE, Fuel Transfer
137	698781		GASKET, Float Bowl
141	594211		KIT, Choke Shaft
186A	799158		CONNECTOR, Hose -(EVAP)
186B	845141		CONNECTOR, Hose -(EVAP)
187	791766		LINE, Fuel -(15" Long)(Cut to Required Length)
217	799771		SPRING, Choke Return
231	690991		SCREW -(Choke Valve)
240	84001895		FILTER, Fuel
255	690721		BUSHING, Choke Shaft
276	695410		WASHER, Sealing
385	797409		SCREW -(Fuel Pump) (Fuel Pump Mounted To Blower Housing)
387	808656		PUMP, Fuel
601	691038		CLAMP, Hose -(Black)
633	699813		SEAL, Choke/Throttle Shaft
918A	799160		HOSE, Vacuum -(Length 9.4 Inches)
947	798779		SOLENOID, Fuel
964	799159		CAP, Connector
975	591699		BOWL, Float
1127	695407		SCREW -(Float Bowl) (Float Bowl to Carburetor Body) Aluminum Float Bowl

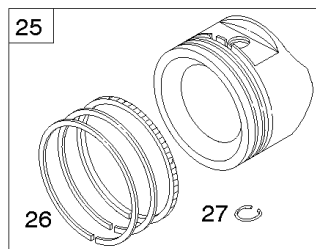
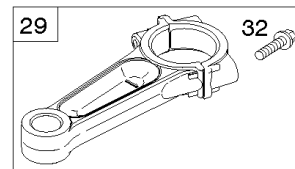
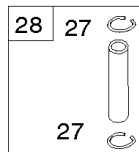
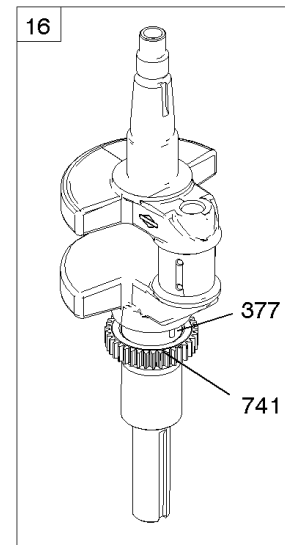
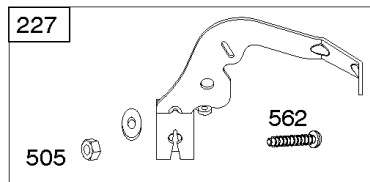
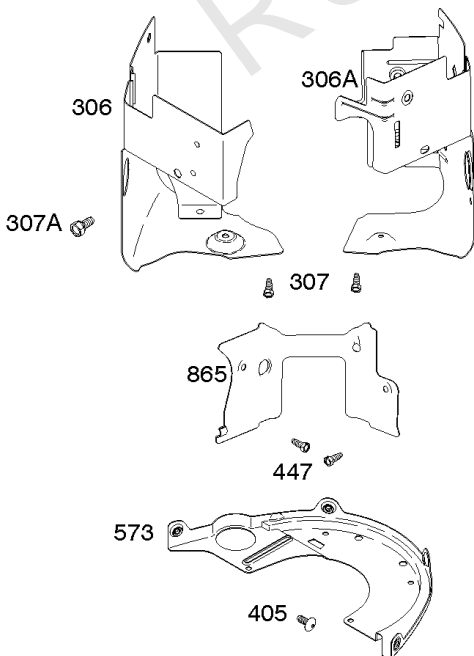
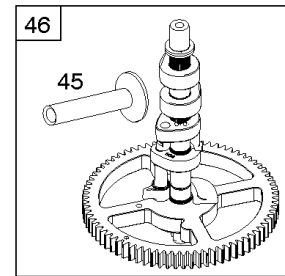
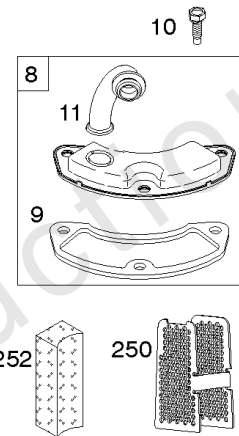
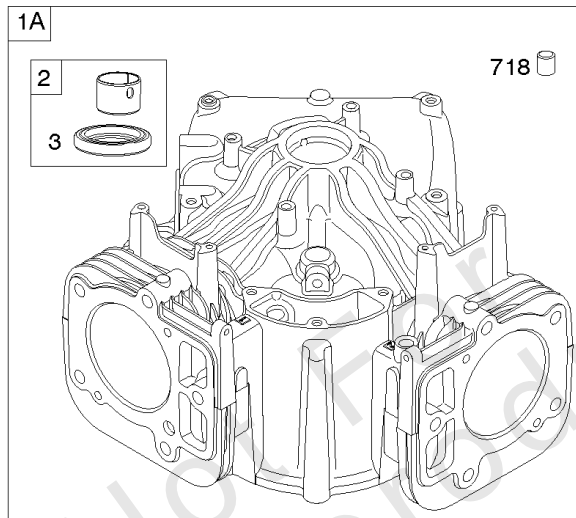
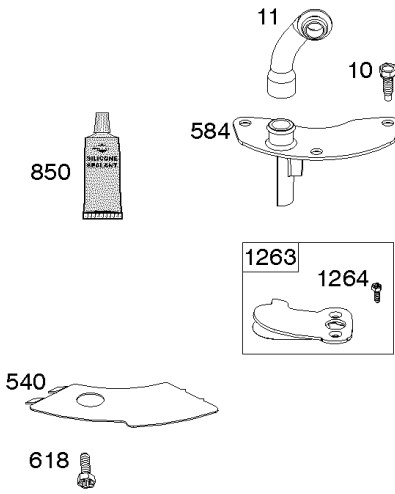
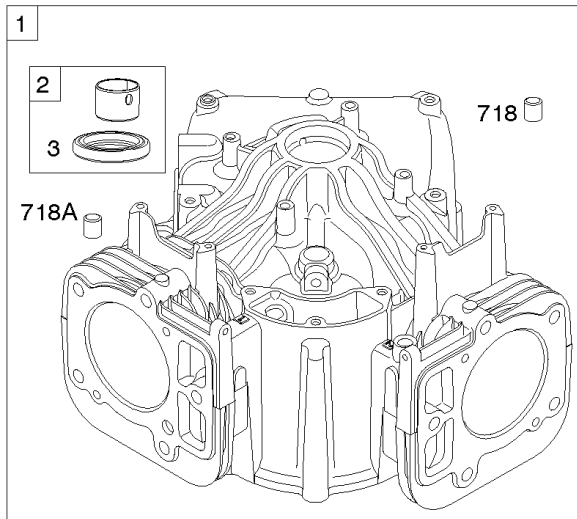
# Cylinder Head, Rocker Arm Cover, Intake Manifold

Mfg. No: 44N877-0001-G1



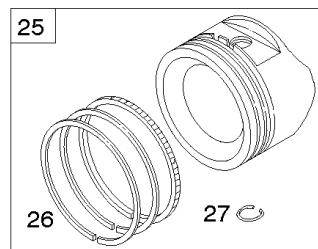
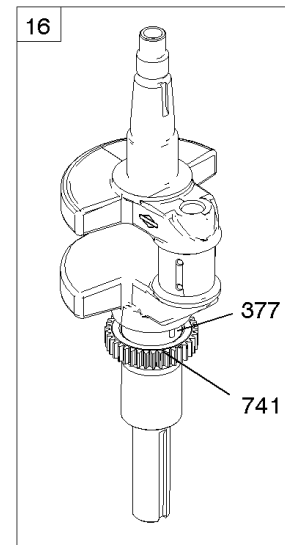
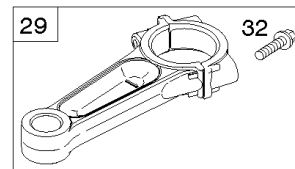
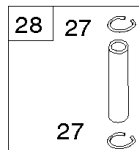
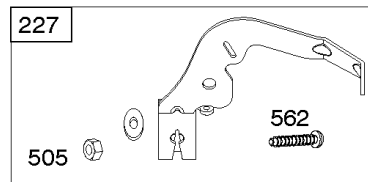
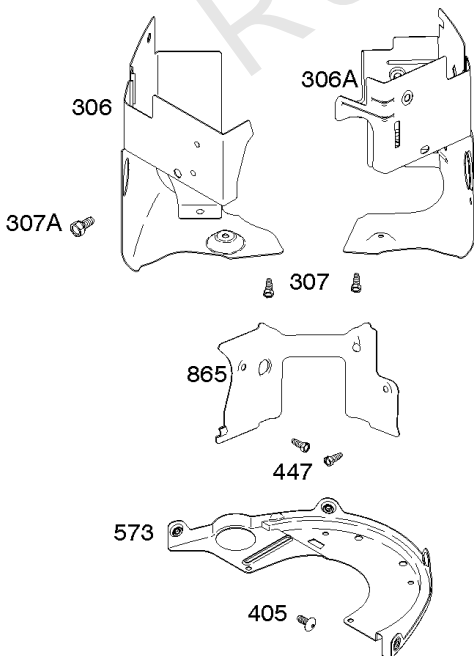
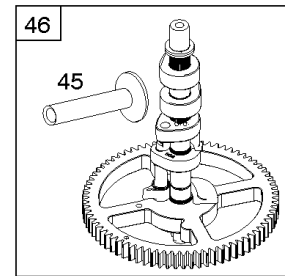
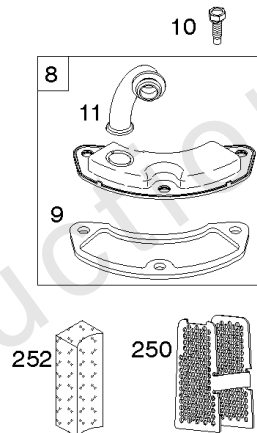
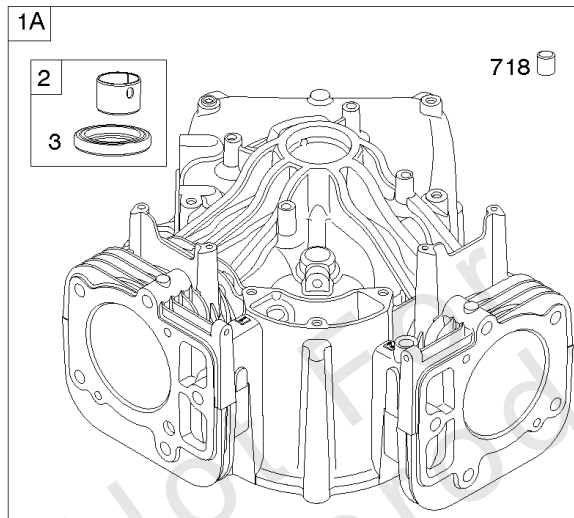
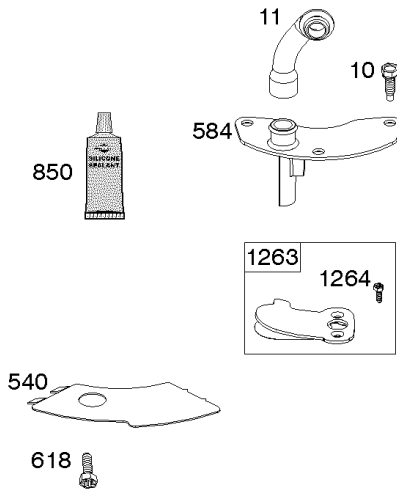
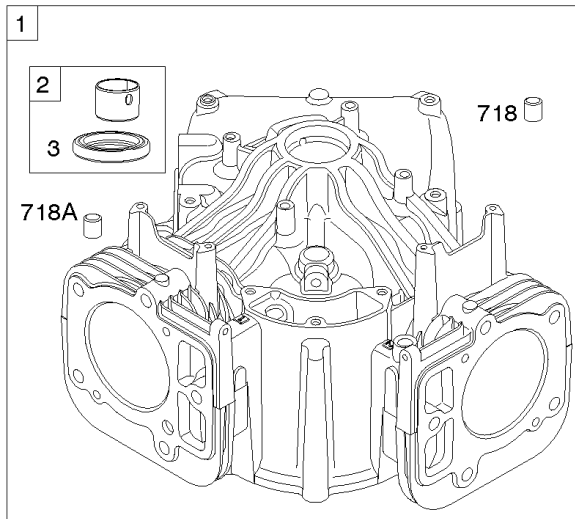
## Cylinder Head, Rocker Arm Cover, Intake Manifold

REF NO	PART NO	QTY	DESCRIPTION
5	799088		HEAD, Cylinder -(Cylinder #1)
5A	799089		HEAD, Cylinder -(Cylinder #2)
7	693997		GASKET, Cylinder Head
13	592244		SCREW -(Cylinder Head)
33	793557		VALVE, Exhaust
34	793556		VALVE, Intake
35	694865		SPRING, Valve -(Intake)
36	694865		SPRING, Valve -(Exhaust)
42	499586		KEEPER, Valve
45	690977		TAPPET, Valve
50	594206		MANIFOLD, Intake
51	594204		GASKET, Intake
51A	594203		GASKET, Intake
53	690951		STUD -(Carburetor)
54	699816		SCREW -(Intake Manifold)
192	690083		ADJUSTER, Rocker Arm
213	691021		BRACKET, Choke Control
337	491055S		PLUG, Spark
337	84007216		PLUG, SPARK -(China Only)
383	19576S		WRENCH, Spark Plug
617	594209		SEAL, O-Ring -(Intake Manifold)
635	66538S		BOOT, Spark PLug
654	690958		NUT -(Carburetor)
798	697890		SCREW -(Rocker Arm)
868	690968		SEAL, Valve
883	690970		GASKET, Exhaust
914	691127		SCREW -(Rocker Cover)
918	596163		HOSE, Vacuum -Used Before Code Date 19091800
918	593641		HOSE, Vacuum -Used After Code Date 19091700
929	695239		SCREW -(Choke Control Bracket)
1022	690971		GASKET, Rocker Cover
1023	793146		COVER, Rocker -(Cylinder #1)
1023A	499600		COVER, Rocker -(Cylinder #2)
1026	690981		ROD, Push -(Steel)
1026A	690982		ROD, Push -(Aluminum)
1029	690972		ARM, Rocker
1029A	807323		ARM, Rocker
1100	791959		PIVOT, Rocker Arm



## Cylinder, Crankshaft, Camshaft, Air Guides

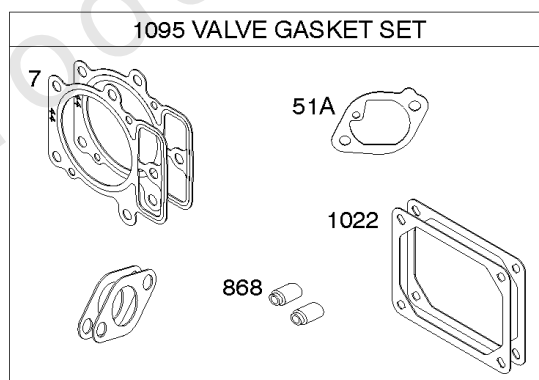
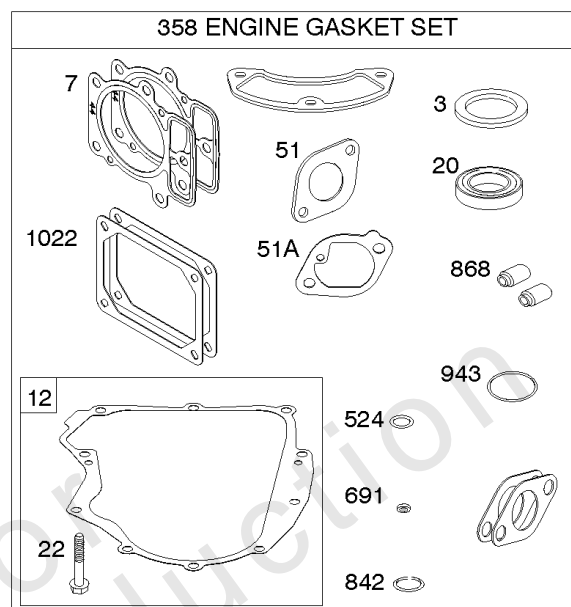
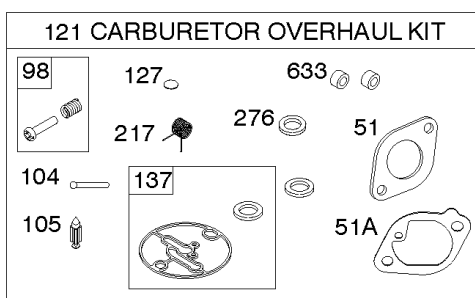
REF NO	PART NO	QTY	DESCRIPTION
1	594970		CYLINDER ASSEMBLY -Used After Code Date 15071500
1A	594162		CYLINDER ASSEMBLY -Used Before Code Date 15071600
2	797673		KIT, Bushing/Seal -(Magneto Side)
3	391086S		SEAL, Oil -(Magneto Side)
8	792185		BREATHER ASSEMBLY -Used Before Code Date 14110500
9	690937		GASKET, Breather -Used Before Code Date 14110500
10	691108		SCREW -(Breather Assembly)
11	594163		TUBE, Breather -Used After Code Date 14110400
11	792184		TUBE-BREATHER -Used Before Code Date 14110500
16	796237		CRANKSHAFT
24	222698S		KEY, Flywheel
25	792072		PISTON ASSEMBLY -(.020" Oversize)
25	792023		PISTON ASSEMBLY -(Standard)
26	792026		SET, Ring -(Standard)
26	792073		SET, Ring -(.020" Oversize)
27	690975		LOCK, Piston Pin
28	696581		PIN, Piston -(Standard)
29	796209		ROD, Connecting -(Standard)
32	690976		SCREW -(Connecting Rod)
45	690977		TAPPET, Valve
46	797242		CAMSHAFT
212	792265		LINK, Throttle
227	798856		LEVER, Governor Control
250	690957		RETAINER, Breather -Used Before Code Date 14110500
252	794389		COLLECTOR-OIL -Used Before Code Date 14110500
306	796852		SHIELD-CYLINDER -(Cylinder #1)
306A	591666		SHIELD-CYLINDER -(Cylinder #2)
307	691003		SCREW -(Cylinder Shield)
307A	691108		SCREW -(Cylinder Shield)
377	690979		KEY, Woodruff
405	594937		SCREW -(Back Plate)
447	691003		SCREW -(Air Guide Cover)
505	691029		NUT -(Governor Control Lever)





## Cylinder, Crankshaft, Camshaft, Air Guides

REF NO	PART NO	QTY	DESCRIPTION
540	594325		PLATE, Baffle
562	690311		BOLT -(Governor Control Lever)
573	594902		PLATE, Back
584	594164		COVER, Breather Passage
618	594326		SCREW -(Baffle Plate)
718	690959		PIN, Locating
718A	594988		PIN, Locating
741	690980		GEAR, Timing
850	100106		SEALANT, Liquid
865	591667		COVER, Air Guide
1036	----		Label-Emissions
1263	594166		REED, Breather
1264	594165		SCREW -(Breather Reed)
1319	794467		LABEL, Warning
1319A	797669		LABEL, Warning
1330	273521		MANUAL, Repair



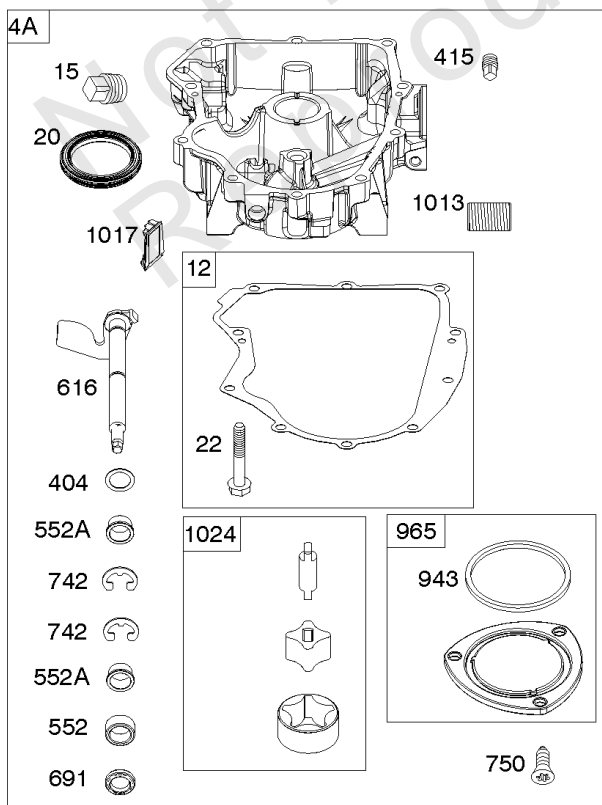
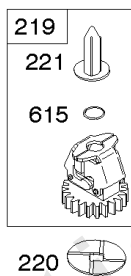
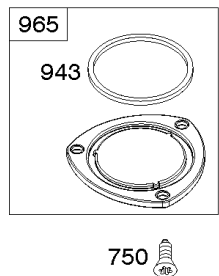
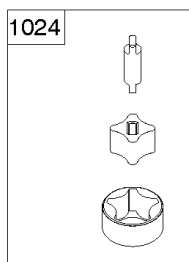
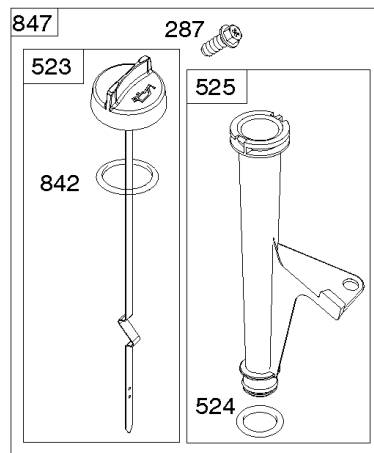
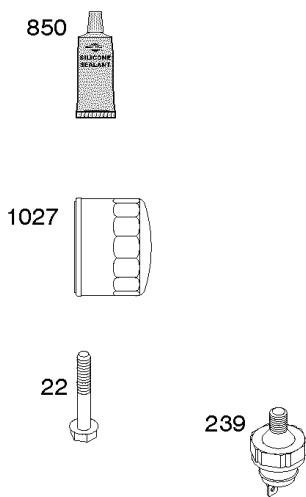
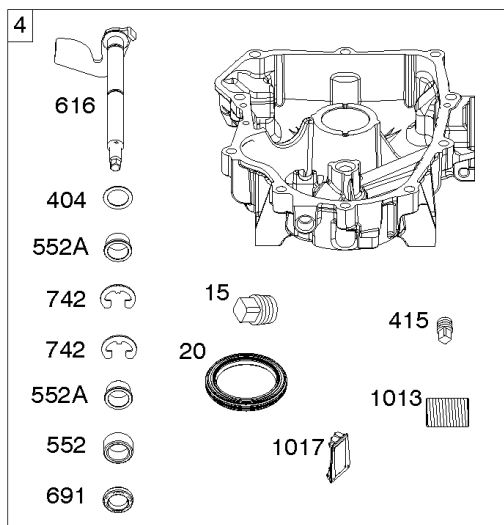
Not For Reproduction

## Engine Gasket Set, Valve Gasket Set

REF NO	PART NO	QTY	DESCRIPTION
3	391086S		SEAL, Oil -(Magneto Side)
7	693997		GASKET, Cylinder Head
12	594195		GASKET SET, Crankcase -Used Before Code Date 15071600
20	795387		SEAL, Oil -(PTO Side)
22	694966		SCREW -(Crankcase Cover/Sump)
51	594204		GASKET, Intake
51A	594203		GASKET, Intake
98	695408		KIT, Idle Speed
104	694918		PIN, Float Hinge
105	698537		VALVE, Float Needle
121	594212		KIT, Carburetor Overhaul
127	699810		PLUG, Welch
137	698781		GASKET, Float Bowl
217	799771		SPRING, Choke Return
276	695410		WASHER, Sealing
358	594213		GASKET SET, Engine
524	691032		SEAL, O-Ring
633	699813		SEAL, Choke/Throttle Shaft
691	790574		SEAL, Governor Shaft
842	691031		SEAL, O-Ring -(Dipstick Tube)
868	690968		SEAL, Valve
883	690970		GASKET, Exhaust
943	796222		SEAL, O-Ring -(Oil Pump Cover)
1022	690971		GASKET, Rocker Cover
1095	594214		GASKET SET, Valve

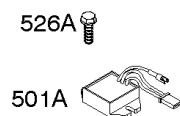
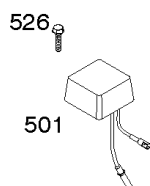
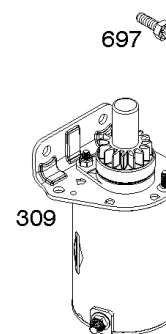
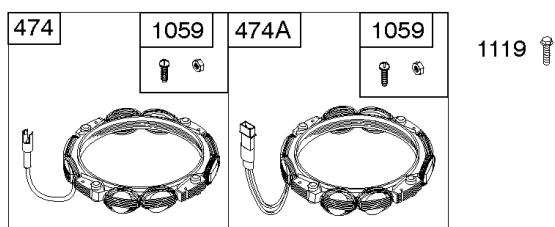
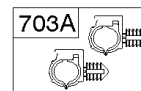
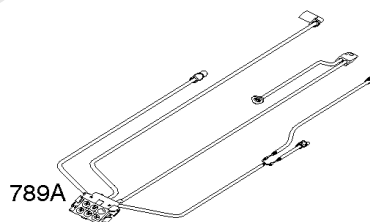
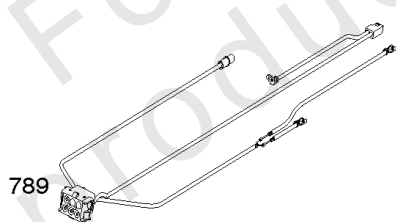
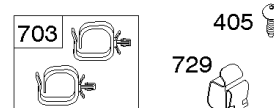
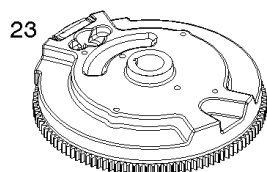
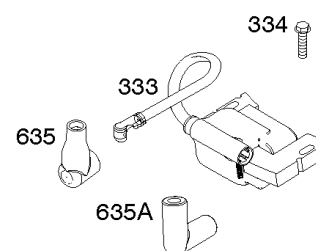
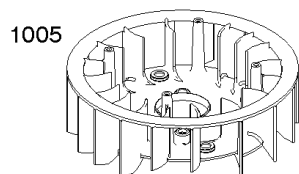
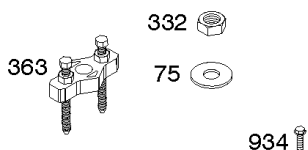
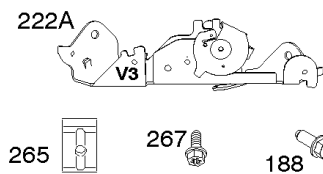
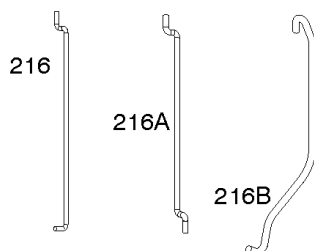
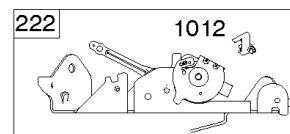
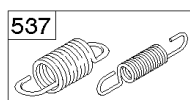
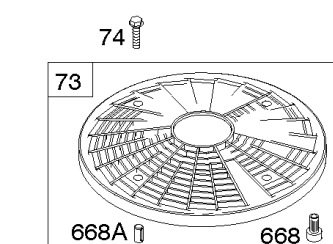
# Engine Sump, Oil Pump, Dipstick/Tube Assembly

Mfg. No: 44N877-0001-G1



## Engine Sump, Oil Pump, Dipstick/Tube Assembly

REF NO	PART NO	QTY	DESCRIPTION
4	594974		SUMP, Engine -Used After Code Date 15071500
4A	796307		SUMP, Engine -Used Before Code Date 15071600
12	594195		GASKET SET, Crankcase -Used Before Code Date 15071600
15	690946		PLUG, Oil Drain
20	795387		SEAL, Oil -(PTO Side)
22	694966		SCREW -(Crankcase Cover/Sump)
186	796532		CONNECTOR, Hose -(Oil Drain)
219	793338		GEAR, Governor
220	799772		WASHER -(Governor Gear)
221	841026		CUP, Governor
239	792028		SWITCH, Oil Pressure
287	697820		SCREW -(Dipstick Tube)
404	690442		WASHER -(Governor Crank)
415	794903		PLUG -(Sump)
512	594200		HOSE, Oil Drain
523	594528		DIPSTICK
524	691032		SEAL, O-Ring
525	691037		TUBE, Dipstick
552	796638		BUSHING, Governor Crank
552A	690553		BUSHING, Governor Crank
615	698290		RETAINER, Governor Shaft
616	691045		CRANK, Governor
691	790574		SEAL, Governor Shaft
742	690328		RETAINER, E Ring
750	796208		SCREW -(Oil Pump Cover)
842	691031		SEAL, O-Ring -(Dipstick Tube)
847	594609		DIPSTICK/TUBE ASSEMBLY
850	100106		SEALANT, Liquid
943	796222		SEAL, O-Ring -(Oil Pump Cover)
965	796221		COVER, Oil Pump
1013	690954		NIPPLE, Oil Filter
1017	796214		SCREEN, Oil Pump
1024	794644		PUMP-OIL
1027	696854		FILTER, Oil



Not For Reproduction

## ***Flywheel, Alternator, Starter, Wire Harness***

<b>REF NO</b>	<b>PART NO</b>	<b>QTY</b>	<b>DESCRIPTION</b>
23	594169		FLYWHEEL
73	494439		SCREEN, Rotating
74	698425		SCREW -(Rotating Screen)
75	691056		WASHER -(Flywheel)
188	691108		SCREW -(Control Bracket)
216	796229		LINK, Choke
222	592555		BRACKET, Control
265	691024		CLAMP, Casing
267	792629		SCREW -(Casing Clamp)
309	592599		MOTOR, Starter
332	691059		NUT -(Flywheel)
333	592846		ARMATURE, Magneto
334	691061		SCREW -(Magneto Armature)
363	19203		PULLER, Flywheel
405	594937		SCREW -(Back Plate)
474	592829		ALTERNATOR -(5/9 Amp. Regulated)
501	794360		REGULATOR
526	691129		SCREW -(Regulator)
526A	691108		SCREW -(Regulator)
537	594915		KIT, Governor/Idle Spring
635	66538S		BOOT, Spark PLug
668	691500		SPACER
668A	691215		SPACER
697	591909		SCREW -(Starter Motor) (Drive Cap)
703	691010		CLIP
703A	592584		CLIP
729	593826		CLIP, Wire
789	591392		HARNESS, Wiring
877	790544		WIRE/CONNECTOR, Alternator
934	593638		SCREW -(Fan Retainer)
1005	593640		FAN, Flywheel
1012	592556		RETAINER, Link
1059	698516		KIT, Screw/Washer
1119	691183		SCREW -(Alternator)

## Replacement Engine - US & Canada

REF NO	PART NO	QTY	DESCRIPTION
	44S8770002	1	Replacement Engine
	698172	1	Replacement Short Block
	-----		Top No-Load Speed: 3350 -Trim: G1

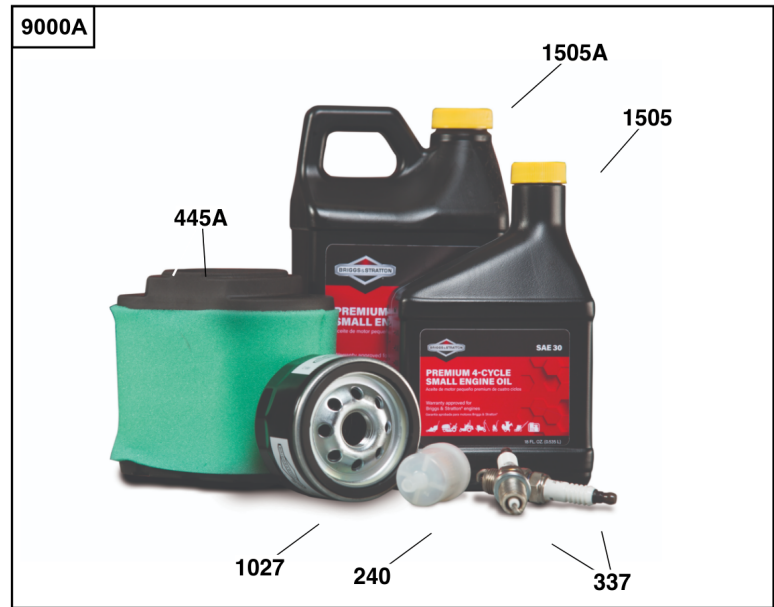
Not For Reproduction





# Model 40, 44 & 49 Engine Accessories Catalog

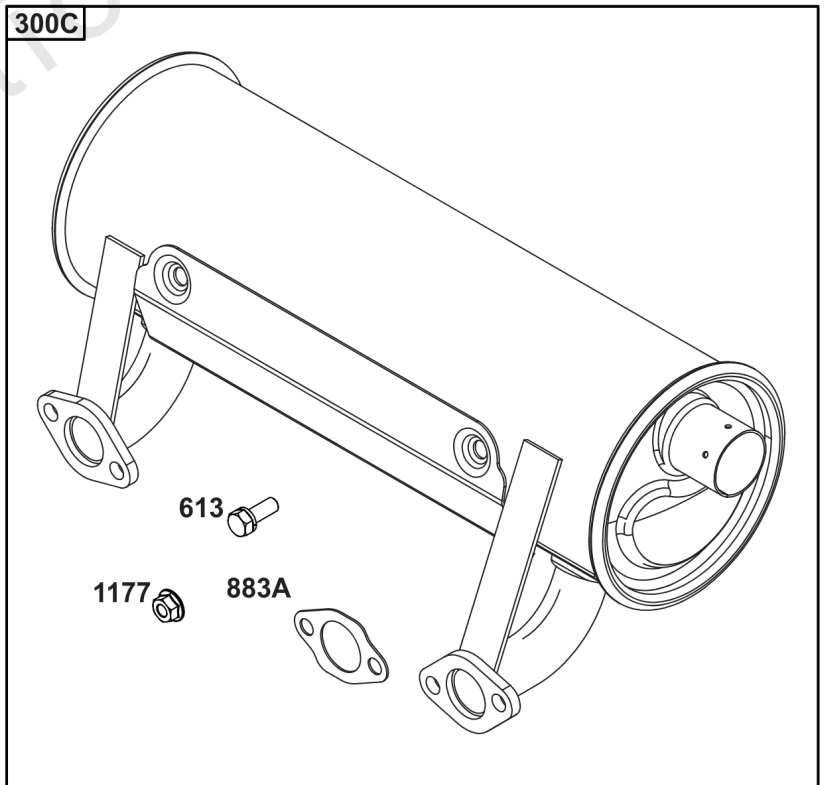
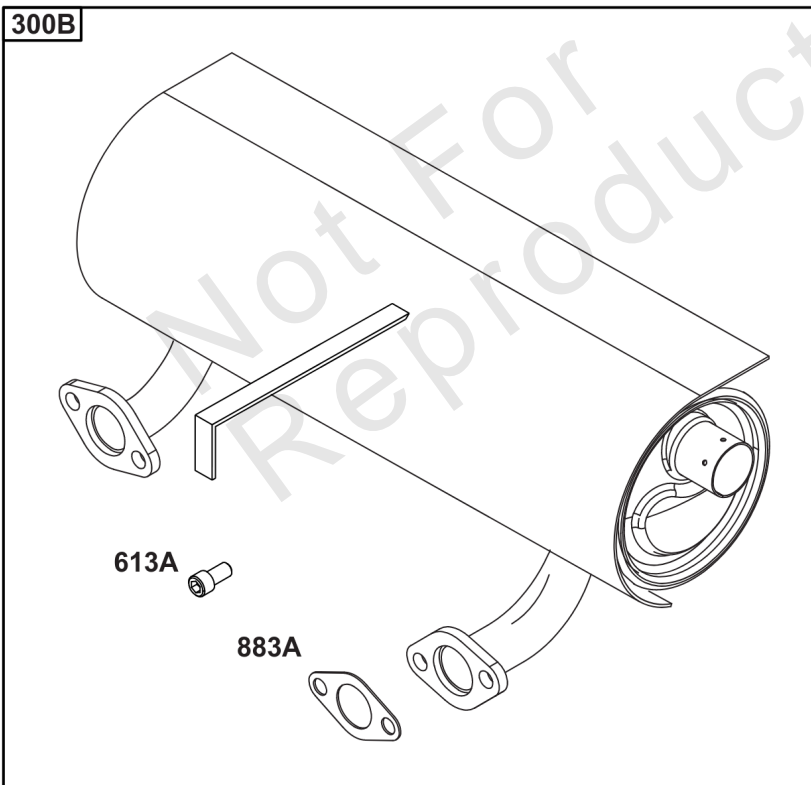
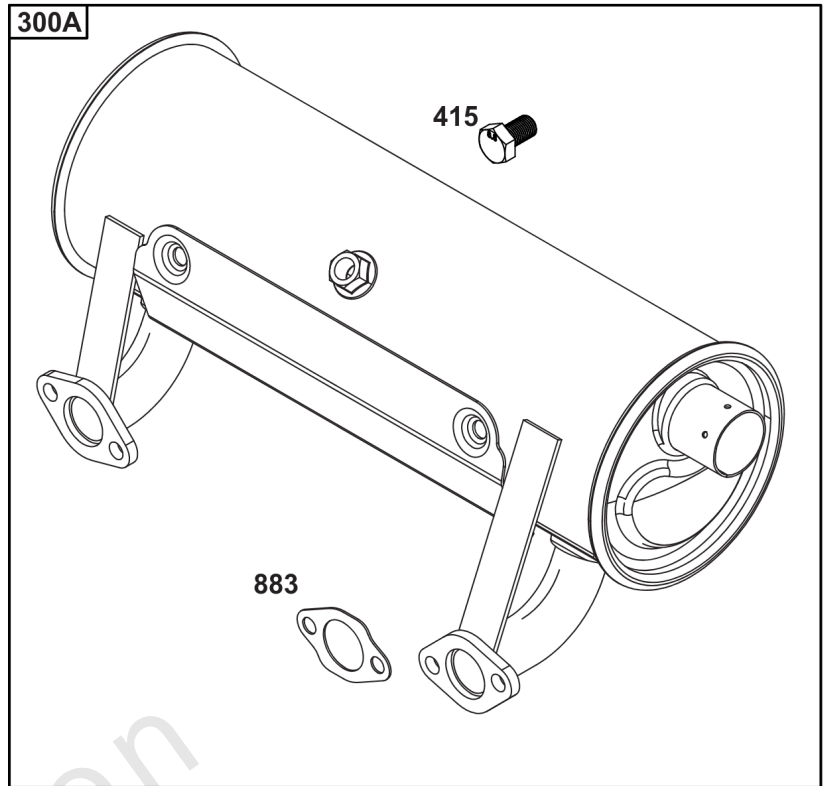
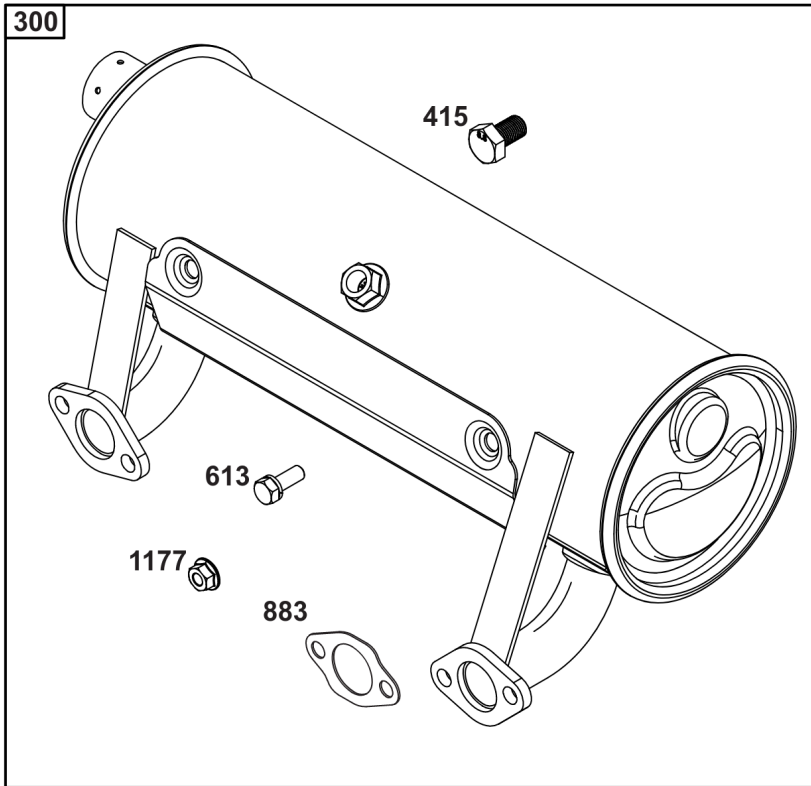
Not For  
Reproduction



## Maintenance Kits

REF NO	PART NO	QTY	DESCRIPTION
9000	84002442		KIT, Maintenance -(Intek / EXi V-Twin Engines) (Do not use with Home Standby Generators.)
9000A	84002317		KIT, Maintenance -(Professional Series™ V-Twin Engines) (Do not use with Home Standby Generators.)
9000B	84002316		KIT, Maintenance -(Commercial Series V-Twin Engines) (Do not use with Home Standby Generators.)
9000C	84002318		KIT, Maintenance -(Oil Guard™ Engines) (Do not use with Home Standby Generators.)
9000D	84002315		KIT, Maintenance -(Non-Oil Guard™ Engines) (Do not use with Home Standby Generators.)
240	84001895	1	FILTER, Fuel -(40 Micron)
240A	845125	1	FILTER, Fuel -(20 Micron)
337	491055S	2	PLUG, Spark
445	594201	1	FILTER, A/C Cartridge
445A	792105	1	FILTER, A/C Cartridge
445B	798897	1	FILTER, A/C Cartridge
445C	841497	1	FILTER, A/C Cartridge
967	797704	1	FILTER, Pre Cleaner
1027	492932S	1	FILTER, Oil -(Standard)
1027A	696854	1	FILTER, Oil -(Premium)
1027B	842921	1	FILTER, Oil -(Vanguard®)
1027C	84007094	1	FILTER, OIL -(Oil Guard™)
1505	100005		OIL-4 CYCLE 30W 18OZ. -(18 oz. Bottle)
1505A	100028		OIL-4 CYCLE30W 48OZ -(48 oz. Bottle)
1505B	100170		OIL-5QT VANGUARD (CASE) -(5 qt. Bottle)
1505C	100169		OIL-1QT VANGUARD (CASE) -(1 qt. Bottle)

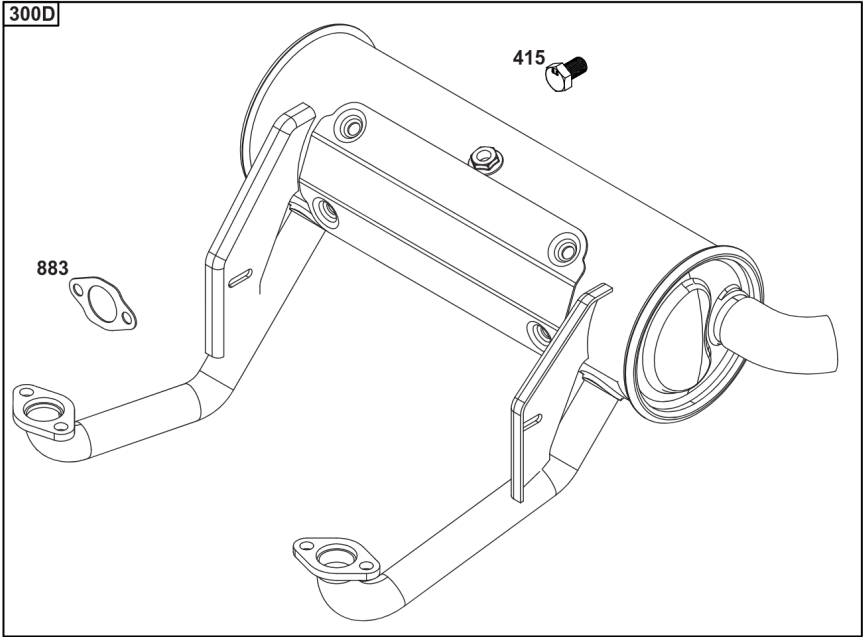
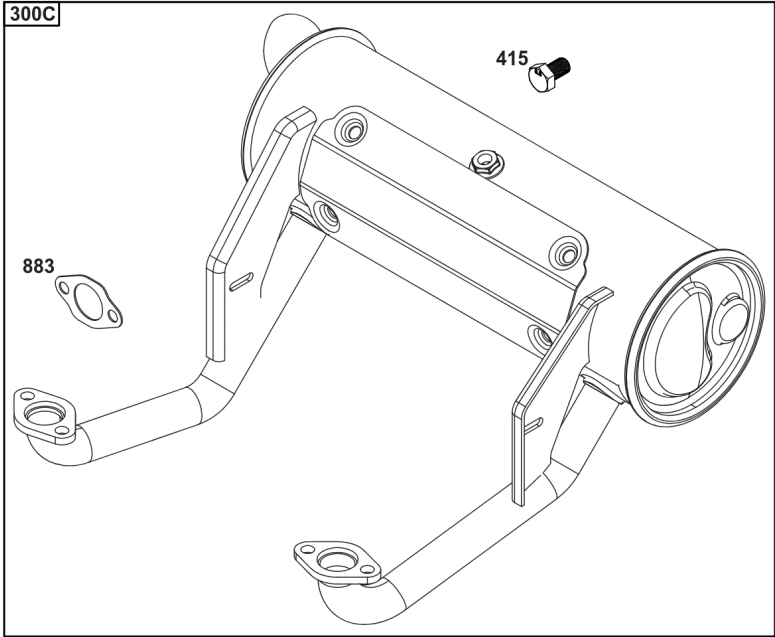
# Engine Mounted Below Deck Mufflers



## Engine Mounted Below Deck Mufflers

REF NO	PART NO	QTY	DESCRIPTION
300	594584	1	KIT-MUFFLER/GUARD -(Oil Filter Side Outlet) (Engine Supported) (O2 Sensor Port)
300A	593877	1	MUFFLER -(Starter Side Outlet) (Engine Supported) (O2 Sensor Port)
300B	594583	1	MUFFLER -(Starter Side Outlet) (Engine Supported) (No O2 Sensor Port)
300C	692120	1	MUFFLER -(Starter Side Outlet) (No O2 Sensor Port)
415	596859	1	PLUG -(O2 Sensor Port)
613	690341	4	SCREW -(Muffler)
613A	690363	4	SCREW -(Muffler)
883	594365	2	GASKET, Exhaust
883A	690970	2	GASKET, Exhaust
1177	690941	4	NUT -(Muffler)

Not For Reproduction



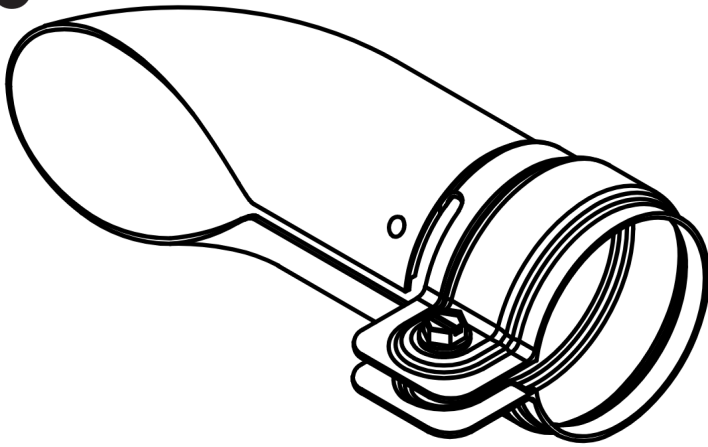
Not For  
Reproduction

## ***Engine Mounted Above Deck Mufflers***

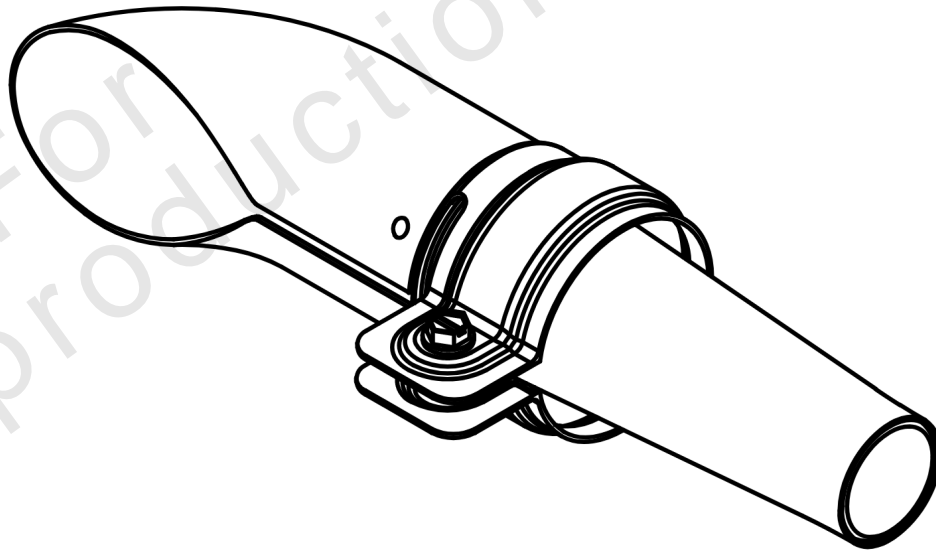
<b>REF NO</b>	<b>PART NO</b>	<b>QTY</b>	<b>DESCRIPTION</b>
300C	595138	1	MUFFLER -(Oil Filter Side Outlet) (Self-Supporting) (O2 Sensor Port)
300D	595139	1	MUFFLER -(Starter Side Outlet) (Self-Supporting) (O2 Sensor Port)
415	596859	1	PLUG -(O2 Sensor Port)
883	594365	2	GASKET, Exhaust

Not For Reproduction

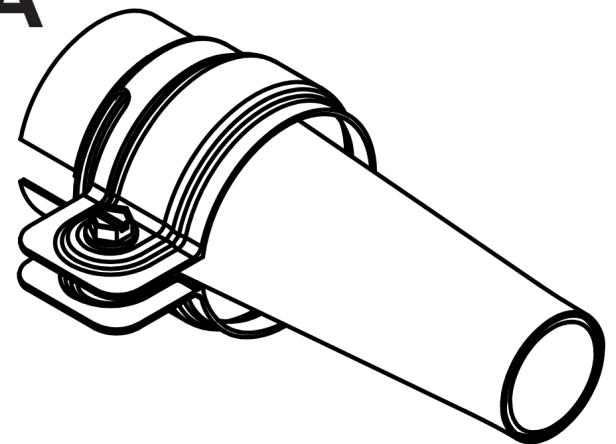
**676**



**994**



**994A**

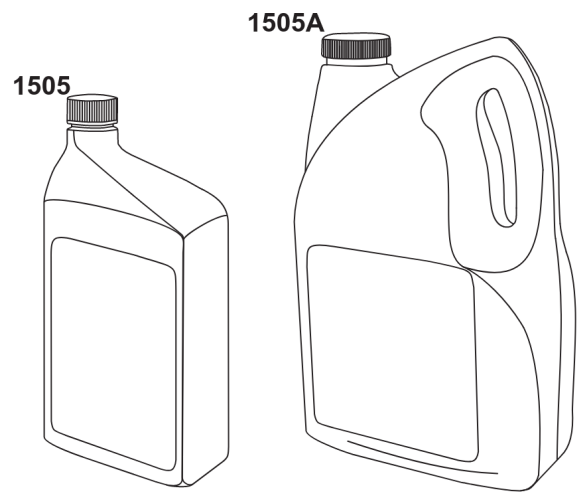
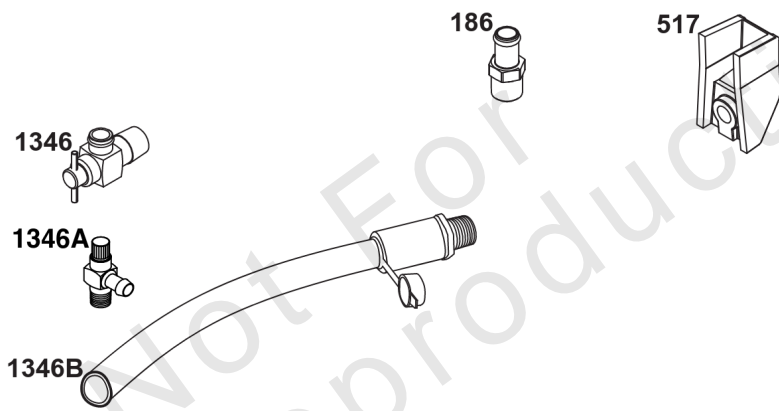
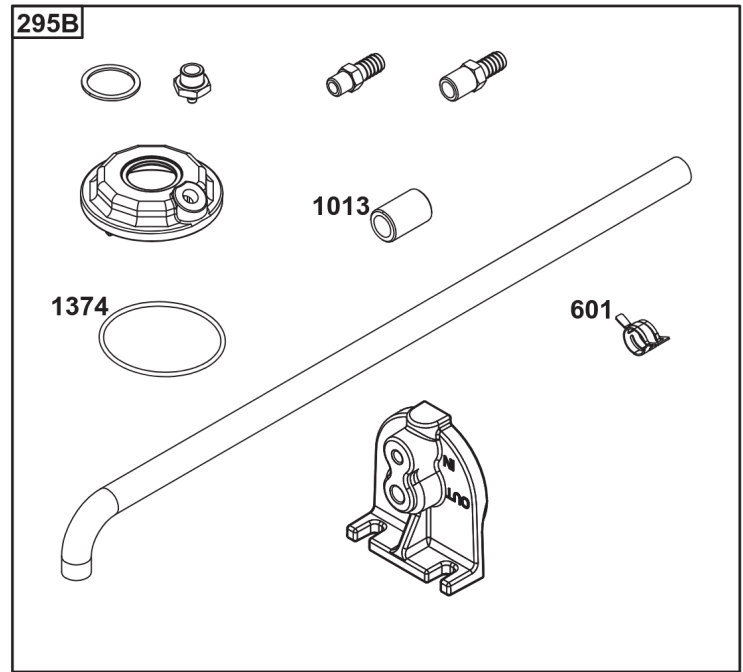
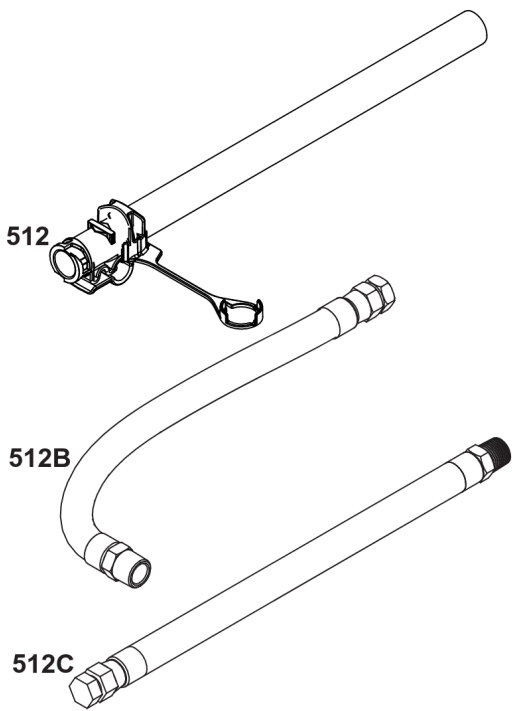




## Spark Arrester/Deflector

REF NO	PART NO	QTY	DESCRIPTION
676	593869	1	DEFLECTOR, Muffler -(For Below Deck Mufflers Only)
994	593885	1	ARRESTOR, Spark -(For Below Deck Mufflers Only)
994A	593868	1	ARRESTOR, Spark -(For Below Deck Mufflers Only)

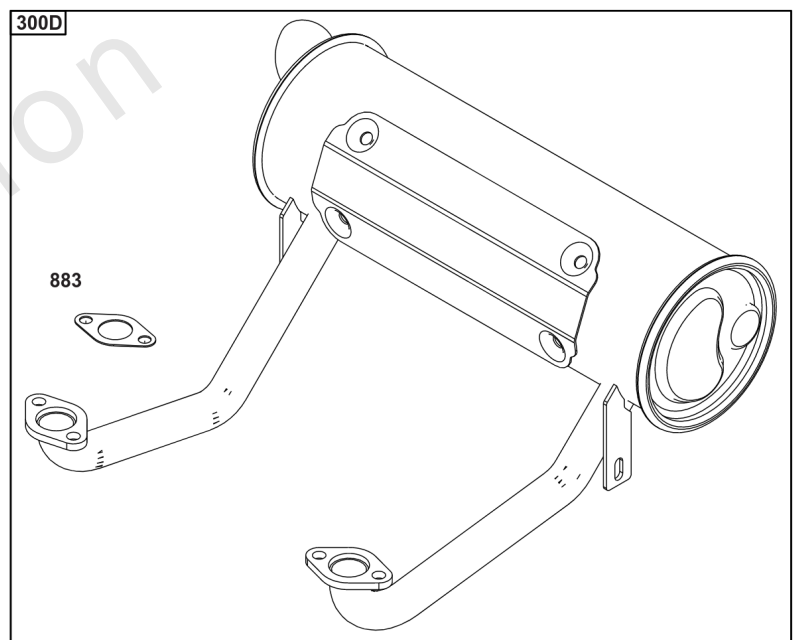
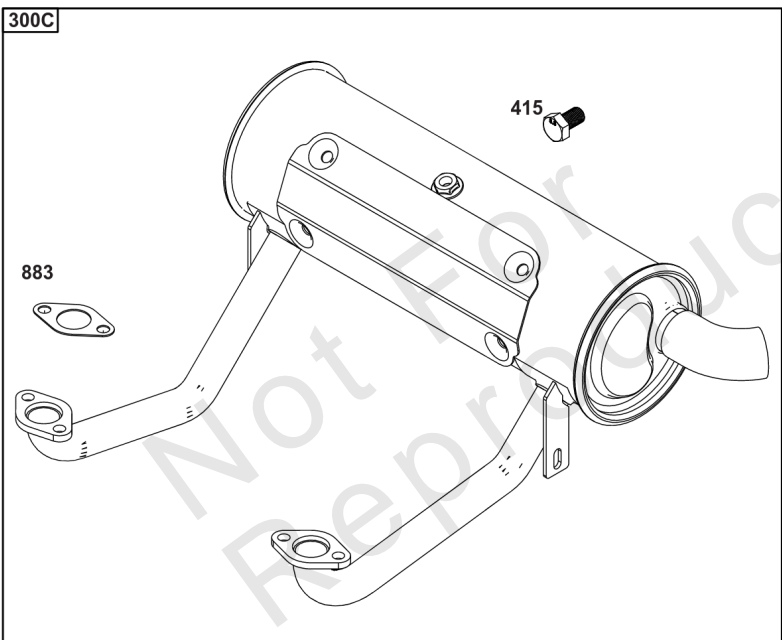
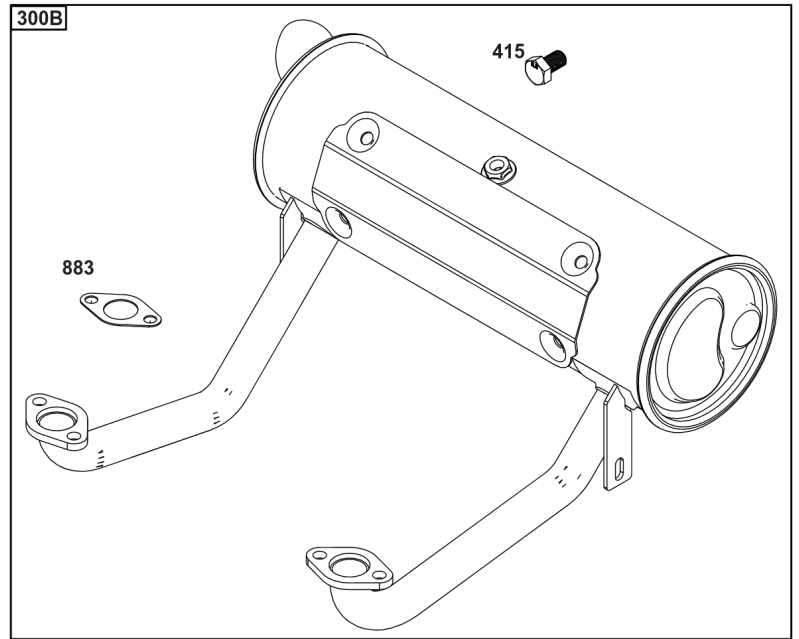
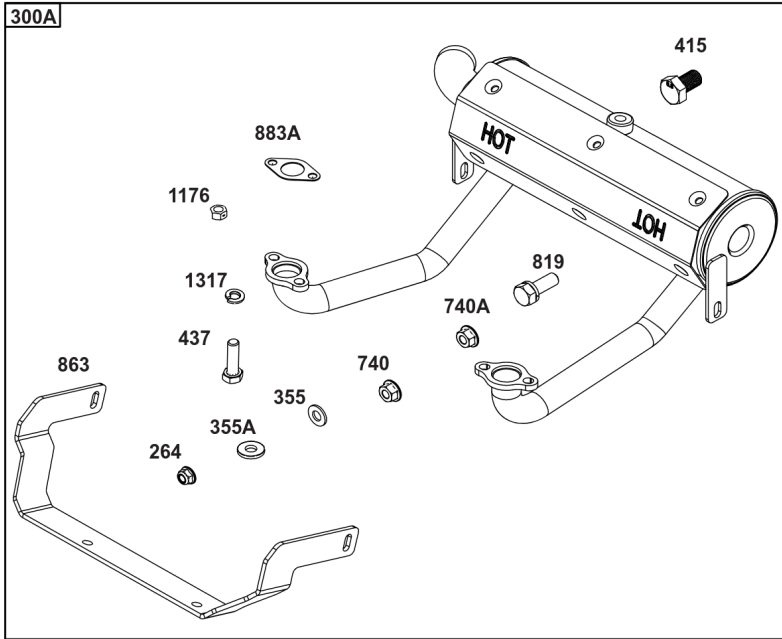
Not For Reproduction



## Lubrication

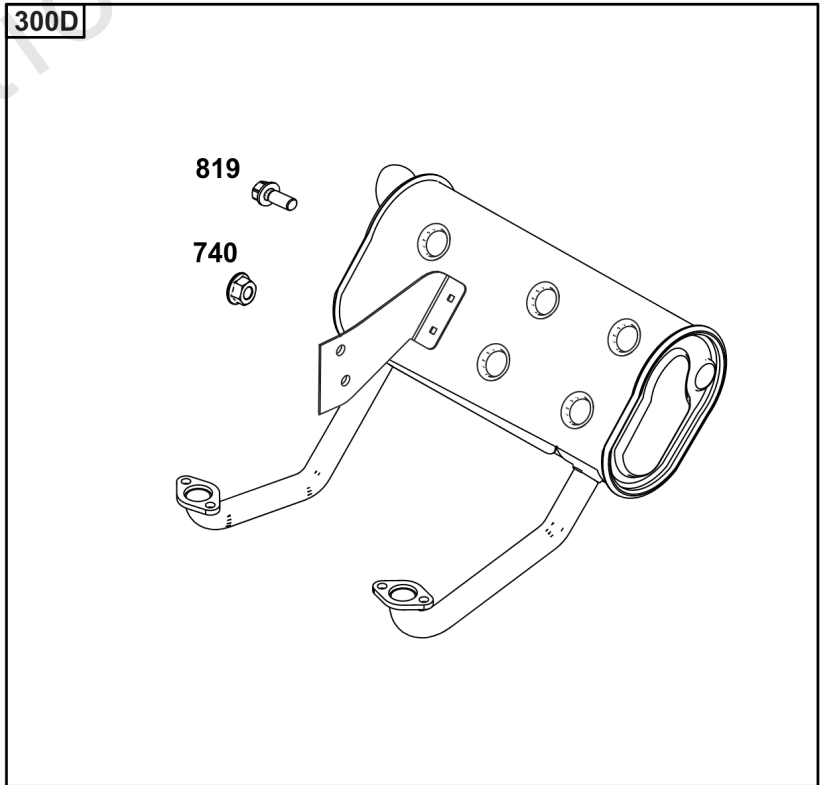
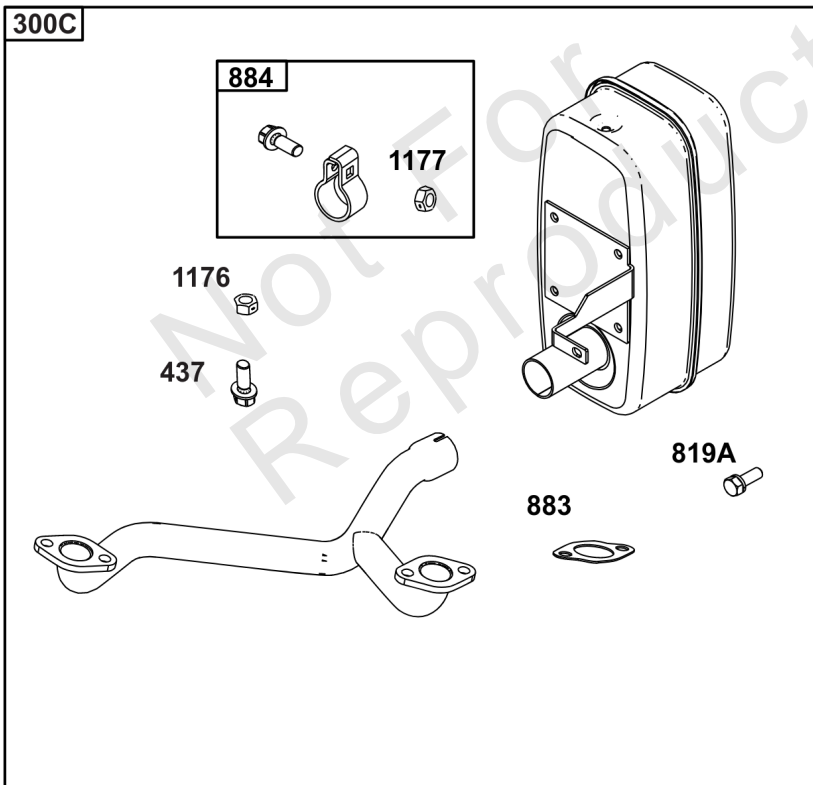
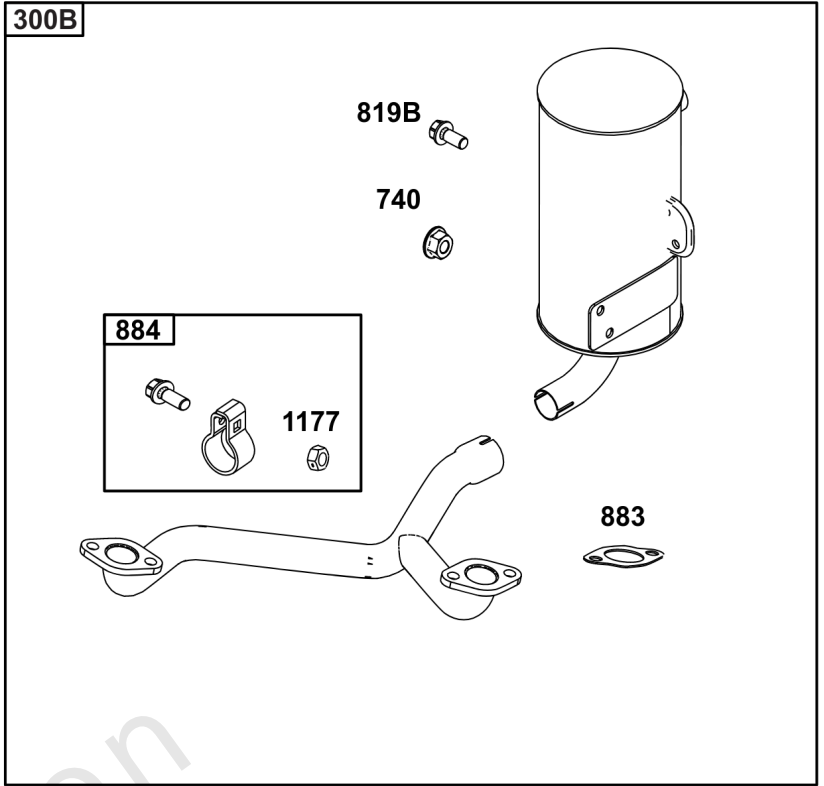
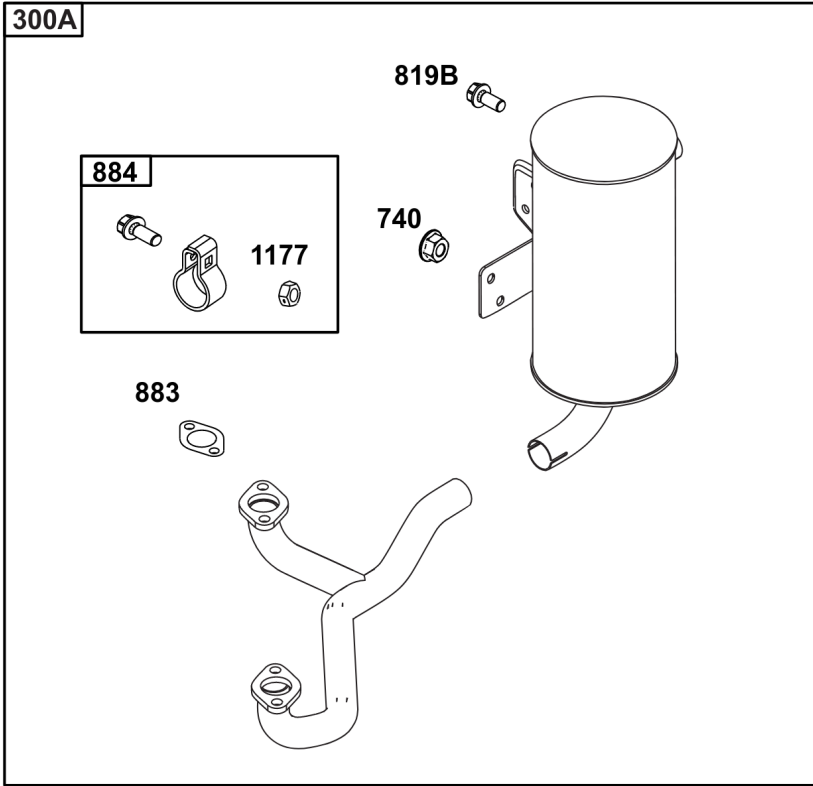
REF NO	PART NO	QTY	DESCRIPTION
186	796532	1	CONNECTOR, Hose -(Threaded Engine Block Connector for EZ-Oil Drain Hose) (Order hose separate)
239	690233	1	SWITCH, Oil Pressure -(2-4 PSI Normally-Closed Switch)
239A	491657S	1	SWITCH, Oil Pressure -(3-5 PSI Normally-Closed Switch)
239B	841281	1	SWITCH, Oil Pressure -(7-10 PSI Normally-Closed Switch)
239C	694115	1	SWITCH, Oil Pressure -(9-13 PSI Normally-Closed Switch)
239D	697049	1	SWITCH, Oil Pressure -(3-6 PSI Normally-Open Switch)
295B	594271	1	ADAPTER, Remote Oil Filter -(Remote Oil Filter Kit)
512	594200	1	HOSE, Oil Drain -(EZ-Oil Drain Hose, 10.5") (Order threaded engine block connector separate)
512	593635	1	HOSE, Oil Drain -(EZ-Oil Drain Hose, 13.75") (Order threaded engine block connector separate)
512B	1723165SM	1	HOSE, Oil Drain, 10-1/2" Long, 3/8-18 Fittings -(10.5")
512C	5048681SM	1	HOSE, OIL DRAIN -(12.5")
517	593633	1	RETAINER, Oil Drain
601	841597	4	CLAMP, Hose
1013	690954	1	NIPPLE, Oil Filter
1346	844802	1	VALVE, Oil Drain Shut Off
1346A	492031	1	VALVE, Oil Drain Shut Off
1346B	5401WEB	1	VALVE, Oil Drain Shut Off -(1/4 Turn Oil Drain Valve with Hose)
1374	796863	1	SEAL, O-Ring
1505	100169		OIL-1QT VANGUARD (CASE) -(1 qt. Bottle)
1505A	100170		OIL-5QT VANGUARD (CASE) -(5 qt. Bottle)

# Implement Mounted Above Deck Mufflers



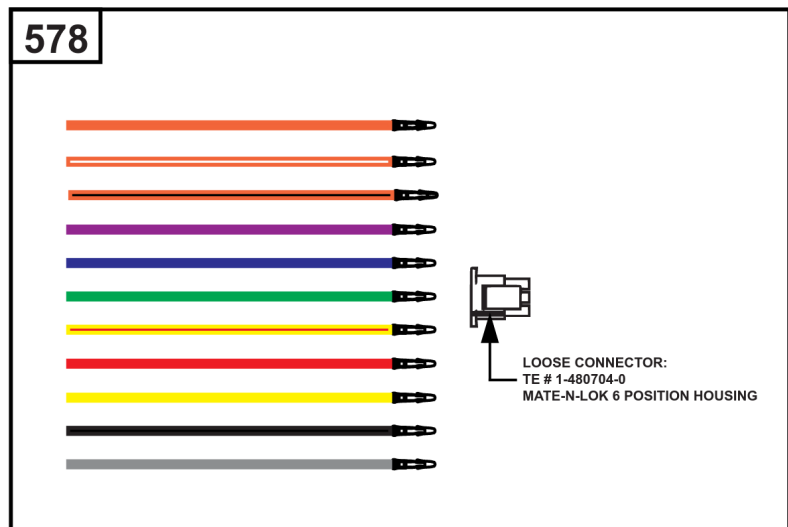
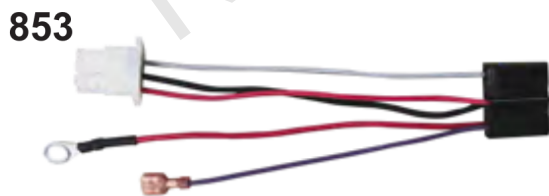
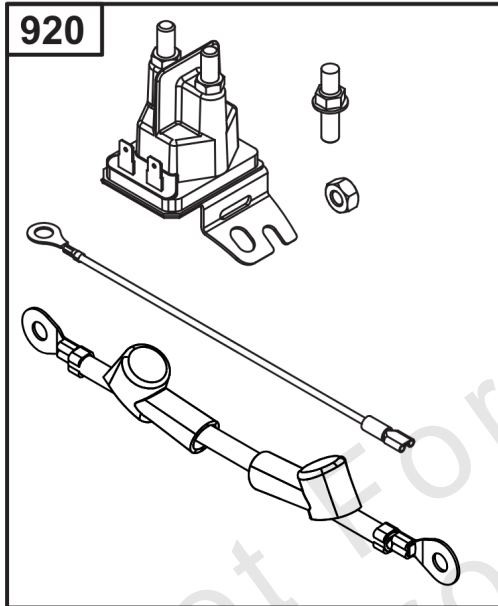
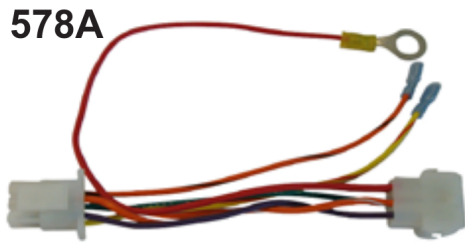
## Implement Mounted Above Deck Mufflers

REF NO	PART NO	QTY	DESCRIPTION
300A	594585	1	MUFFLER -(Oil Filter Side Outlet) (Implement Supported) (O2 Sensor Port)
300B	595134	1	MUFFLER -(Oil Filter Side Outlet) (O2 Sensor Port)
300C	595135	1	MUFFLER -(Starter Side Outlet) (O2 Sensor Port)
300D	595136	1	MUFFLER -(Oil Filter Side Outlet)
264	703465	4	NUT, 5/16-18, GR5 -(Muffler Adapter)
355	5025292SM	4	WASHER, 5/16" GD.9 FL -(Muffler Bracket)
355A	5025155SM	2	WASHER, 5/16 -(Muffler Bracket)
415	596859	1	PLUG -(O2 Sensor Port)
437	703585	4	CAPSCREW, 5/16-18X1 -(Exhaust Manifold)
740	703164	2	NUT -(Muffler Bracket)
740A	703115	2	NUT -(Muffler Bracket)
819	690341	4	SCREW -(Muffler Bracket)
863	597480	1	BRACKET, Muffler
883	594365	2	GASKET, Exhaust
883A	690970	2	GASKET, Exhaust
1176	690941	4	NUT -(Exhaust Manifold)
1317	703116	4	LCKWSHR -(Exhaust Manifold)



## Exhaust/Muffler Configurations

REF NO	PART NO	QTY	DESCRIPTION
300A	771127	1	MUFFLER -(Oil Filter Side Outlet)(Commercial & Professional Series)
300B	771128	1	MUFFLER -(Starter Side Outlet)(Commercial & Professional Series)
300C	595822	1	MUFFLER -(Starter Side Outlet)(Commercial & Professional Series)
300D	84003680	1	MUFFLER -(Oil Filter Side Outlet) (Commercial & Professional Series)(Vanguard 810 & 810 EFI) (Compatible with 593868 Spark Arrester, 593885 Spark Arrester with Deflector.) (Equipped with plug for blocking off O2 sensor port for non EFI engines.)
437	690341	4	SCREW -(Exhaust Manifold)
740	704067	2	NUT, HEX FLNG,5/16-18 -(Muffler Bracket)
819	592604	2	SCREW -(Muffler Bracket)
819A	695629	4	SCREW -(Muffler Bracket)
819B	692062	2	SCREW -(Muffler Bracket)
883	594365	2	GASKET, Exhaust
884	691956	1	CLAMP, Muffler
1176	690941	4	NUT -(Exhaust Manifold)
1177	793859	1	NUT -(Muffler)

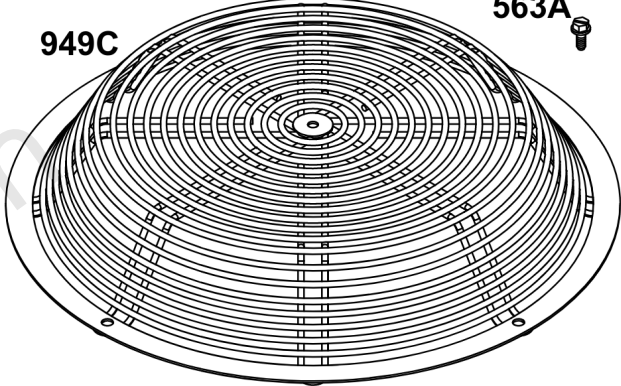
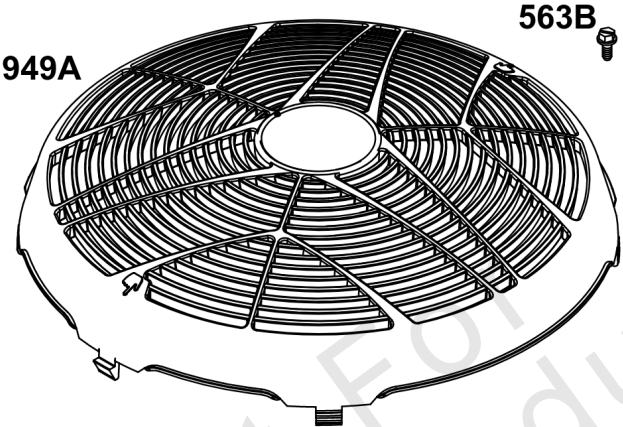
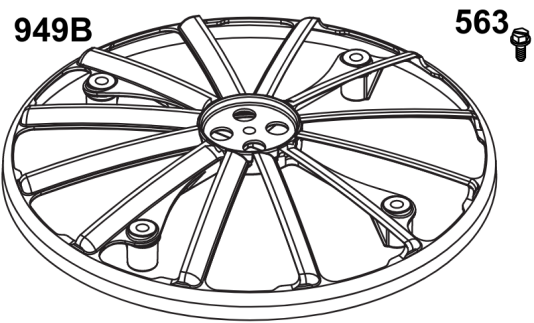
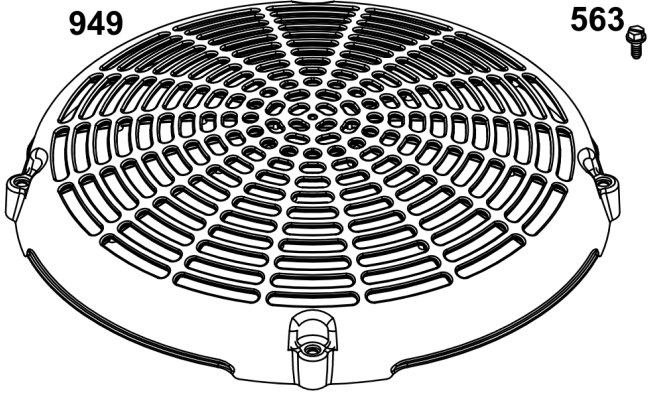




## Electrical

REF NO	PART NO	QTY	DESCRIPTION
578	84007350	1	WIRE ASSEMBLY -(Wire Harness Adapter Aids in repowering engine application with Male 6-Pin connector and wires create custom adapter configurations.)
578A	19631	1	TOOL, CUSTOM HARNESS -(6-pin Wire Harness Adapter) (Aids in repowering engine application to an EFI engine)
853	84003359	1	ADAPTER, WIRE -(Wire Harness Adapter) (Aids in repowering ExMark) (Flat 6-spade connector to Briggs & Stratton 6-Pin connector)
920	84002147	1	SOLENOID, STARTER -(Starter Solenoid Kit) (Aids in Repowering when original is solenoid shift)
983	5103809YP	1	LIGHT, Indicator -(MIL Light Indicator) (LED Red)
1616	19626	1	CODE READER -(Tiny Scan Code Reader)

Not For Reproduction

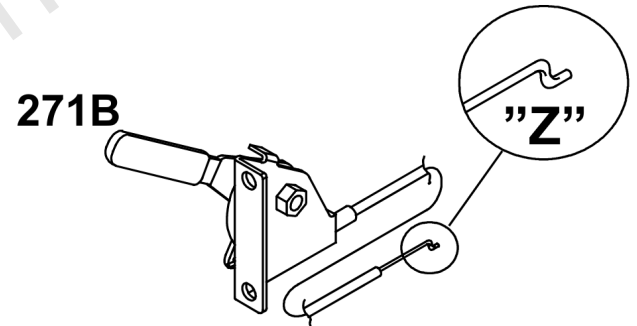
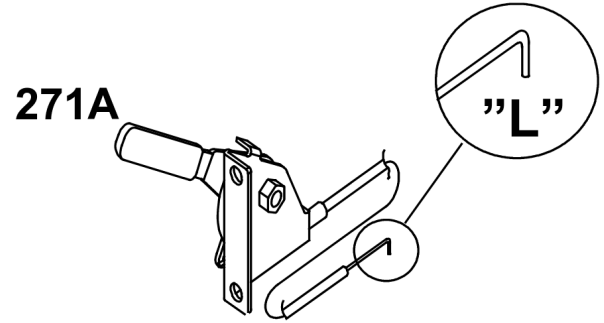
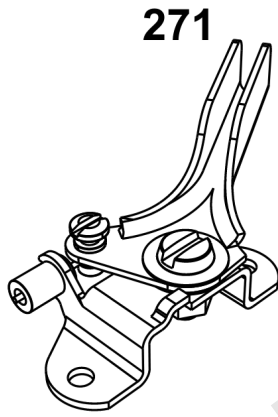
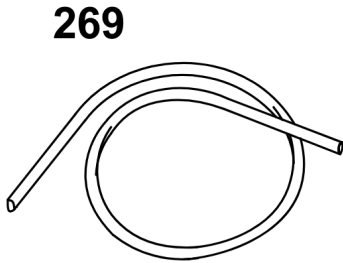
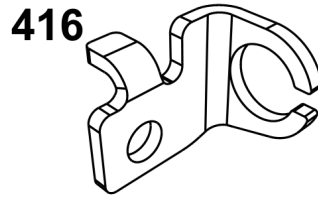
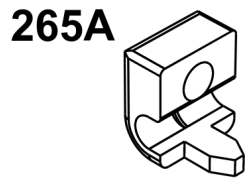
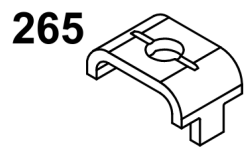


Not For  
Reproduction

## *Flywheel Guards*

REF NO	PART NO	QTY	DESCRIPTION
563	799360	1	SCREW -(Debris Screen Guard)
563A	597574	1	SCREW -(Debris Screen Guard)
563B	799359	1	SCREW -(Debris Screen Guard)
949	799357	1	GUARD, Debris Screen -(Static Cover Flywheel) (Requires 4 x 799360 Screw)
949A	797420YP	1	GUARD, Debris Screen -(Static Cover Flywheel High Flow) (Requires 4 x 799360 Screw)
949B	593206	1	GUARD, Debris Screen -(Static Cover Flywheel) (Requires 4 x 799359 Screw)
949C	597573	1	GUARD, Debris Screen -(Wire Static Flywheel Cover) (Requires 4x 597574 Screw) (For Commercial Series)

Not For Reproduction

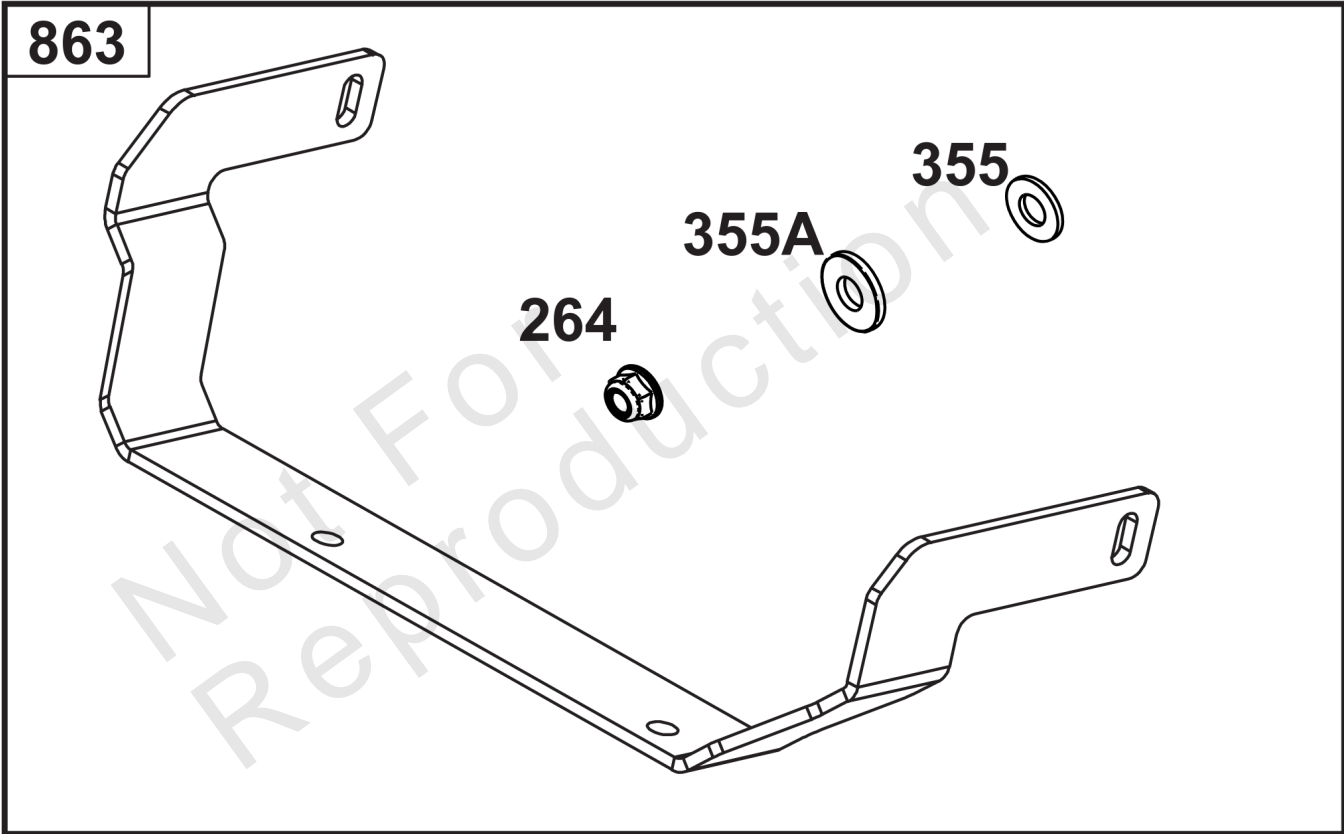
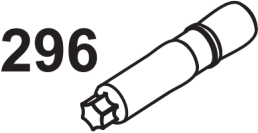
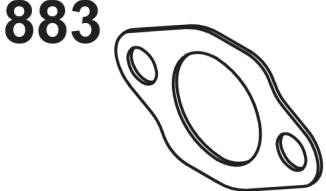


Not For  
Reproduction

## Speed Control

REF NO	PART NO	QTY	DESCRIPTION
265	691024	1	CLAMP, Casing -(Casing Clamp for Hard Casing)
265A	690798	1	CLAMP, Casing -(Casing Clamp for Soft Casing)
267	792629	1	SCREW -(Screw for Casing Clamp)
269	93907	1	WIRE, Control -(Control Wire 100')
271	691028	1	LEVER, Control -(Speed Control Lever Assembly)
271A	692105	1	LEVER, Control -("L" formed end Speed Control Lever Assembly)
271B	692541	1	LEVER, Control -("Z" formed end Speed Control Lever Assembly)
416	595196	1	BRACKET, Throttle Cable -(Casing Clamp for Snap-In Casing)

Not For Reproduction



## Muffler Mounting Hardware

REF NO	PART NO	QTY	DESCRIPTION
264	703465	4	NUT, 5/16-18, GR5 -(Muffler Adapter)
296	591756	4	STUD -(Muffler)
355	5025292SM	4	WASHER, 5/16" GD.9 FL -(Muffler Bracket)
355A	5025155SM	2	WASHER, 5/16 -(Muffler Bracket)
613	690341	4	SCREW -(Muffler)
613A	690363	4	SCREW -(Muffler)
863	597480	1	BRACKET, Muffler
883	594365	2	GASKET, Exhaust
883A	690970	2	GASKET, Exhaust
1177	690941	4	NUT -(Muffler)

Not For Reproduction

