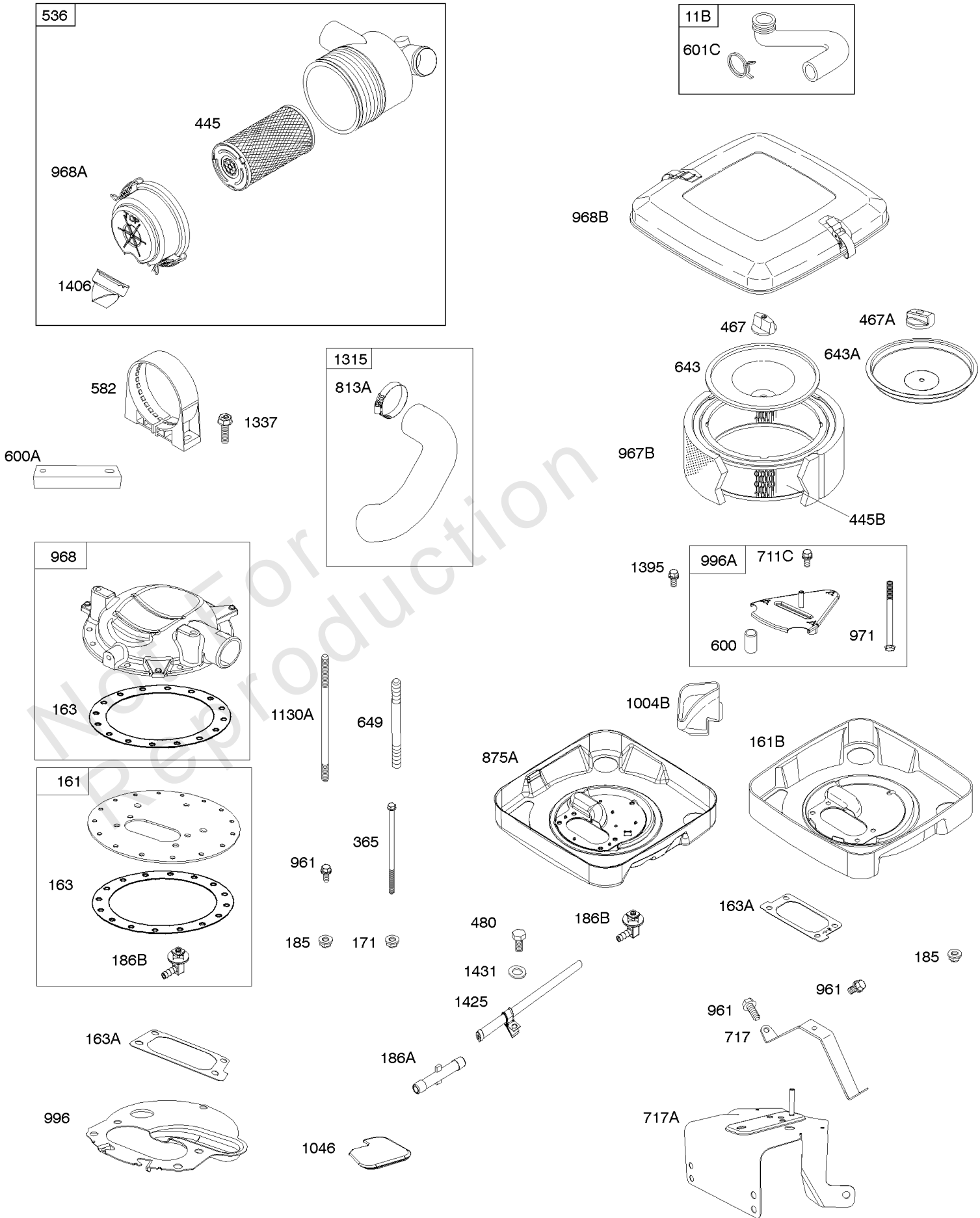




Parts Manual

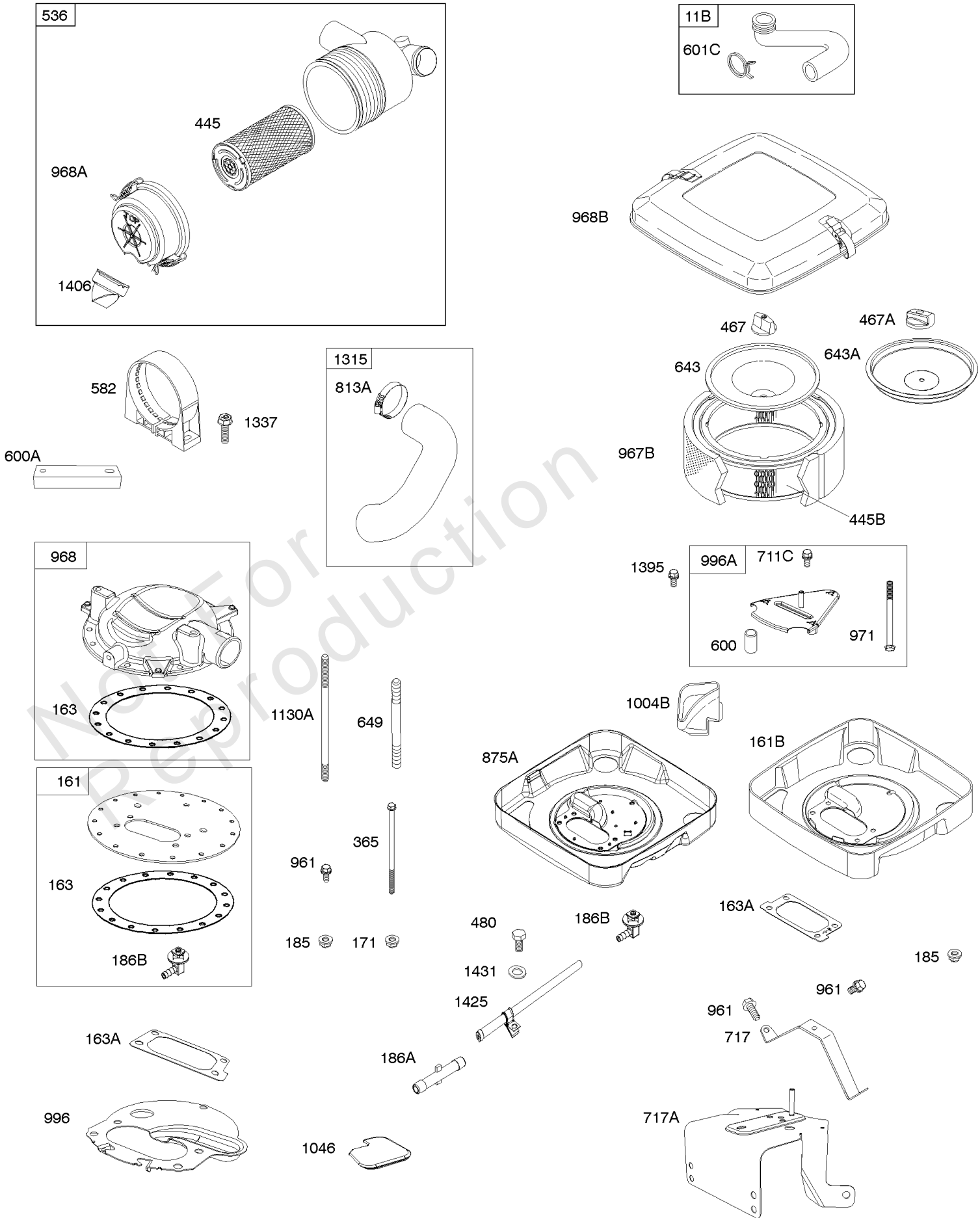
Mfg. No: 385777-0349-E1

Model Components	Page
Air Cleaner Systems.....	4
Alternator, Regulators, Controls, Governor Spring.....	8
Blower Housing, Shrouds, Air Guides.....	12
Carburetor, Fuel Supply.....	16
Crankshaft, Cylinder, Sump, Piston/Rings/Conn Rod.....	20
Cylinder Heads, Valve Covers.....	24
Electric Starters.....	26
Engine, Valve, and Carburetor Kits.....	28
Lubrication, Oil Fill.....	30
Muffler, Exhaust Manifold, Intake Manifold.....	32
Replacement Engine - US & Canada.....	34
Model 29, 30, 35 & 38 Engine Accessories Catalog.....	35
Maintenance Kits.....	36
Lubrication.....	38
Starter Motor Side Outlet Mufflers.....	40
Oil Filter Side Outlet Mufflers.....	42
Oil Filter Side Outlet Manifolds.....	44
Starter Motor Side Outlet Manifolds.....	46
Mufflers.....	48
Center Outlet Mufflers.....	50
Muffler Guards and Shields.....	52
Spark Arrestors and Deflectors.....	54
Muffler Mounting Hardware.....	56
Flywheel and Air Intake Guards.....	58
PTO.....	60
Electrical.....	62
Speed Control.....	64



Air Cleaner Systems

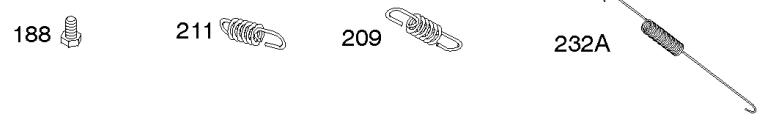
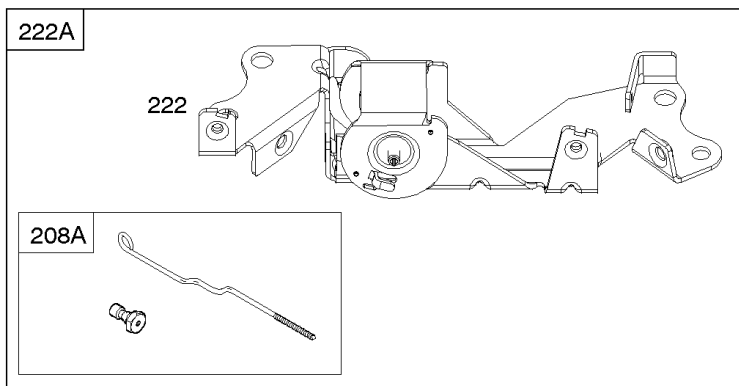
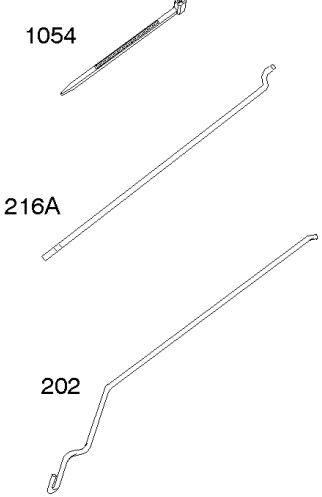
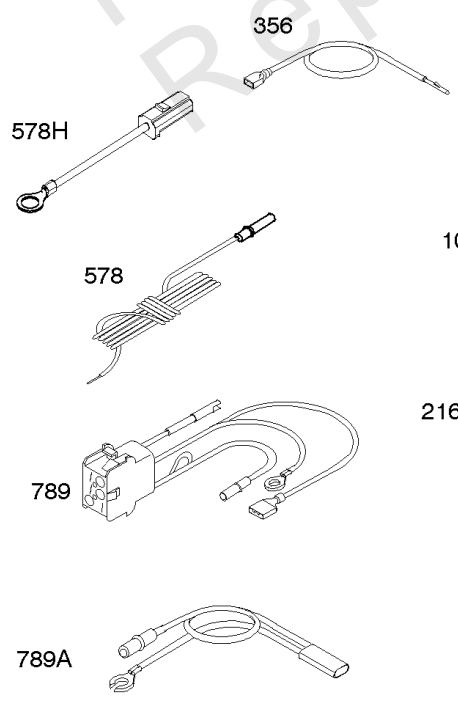
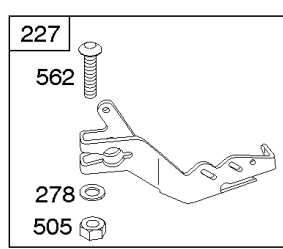
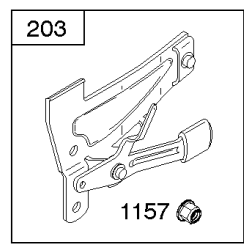
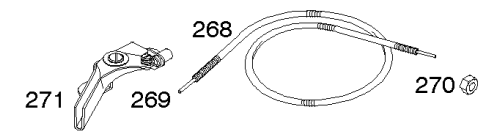
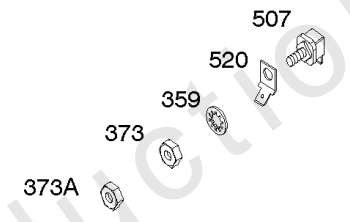
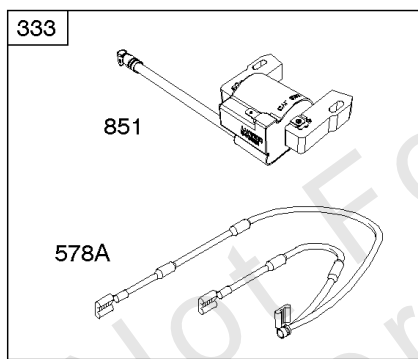
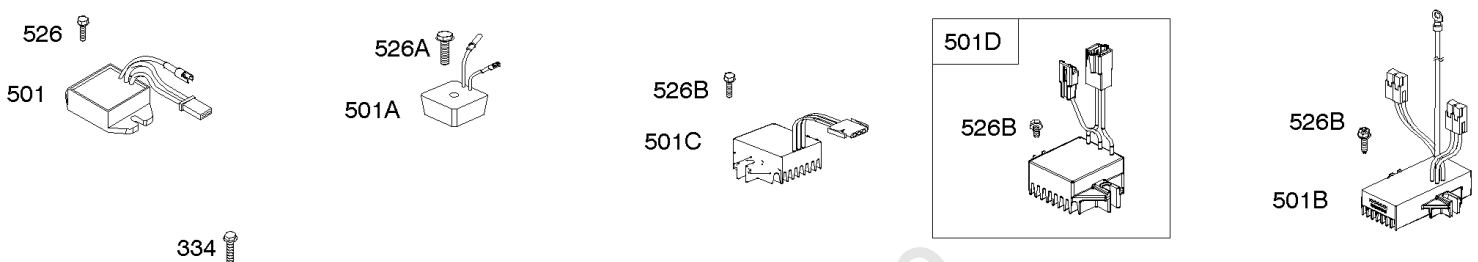
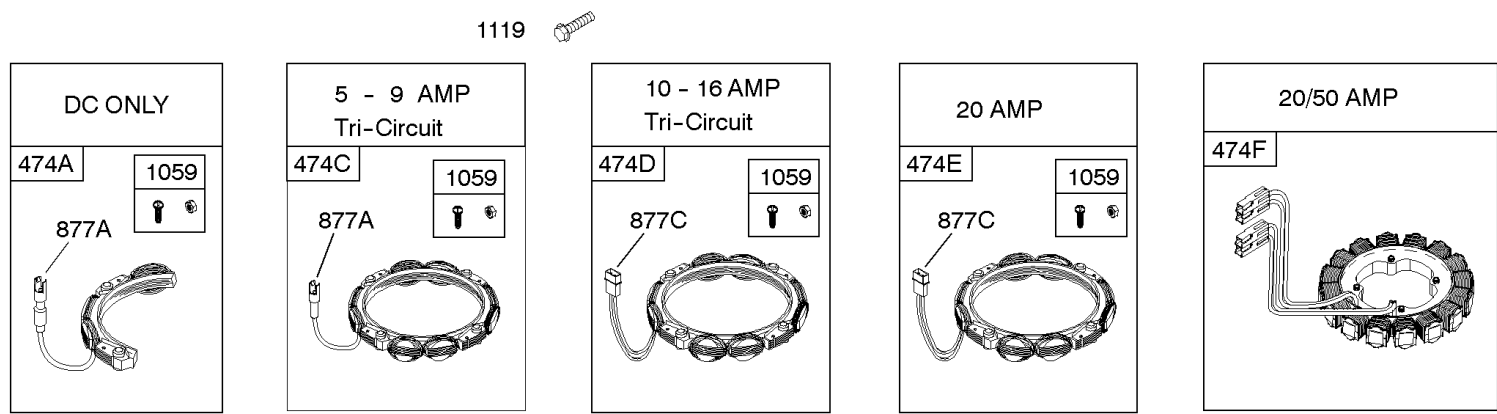
REF NO	PART NO	QTY	DESCRIPTION
11B	806379		TUBE, Breather
163	841823		GASKET, Air Cleaner -(Air Cleaner)
163A	692087		GASKET, Air Cleaner -(Used With Metal Air Cleaner Base)
171	690941		NUT -(Air Cleaner) (M8)
185	690939		NUT -(Air Cleaner Base) (M6)
186A	845121		CONNECTOR, Hose
186B	845141		CONNECTOR, Hose
365	690866		SCREW -(Carburetor/Throttle Body) (M6x85mm)
445	820263		FILTER, A/C Cartridge
445B	692519		FILTER, A/C Cartridge -(Round)
467	691985		KNOB, Air Cleaner Cover
467A	844618		KNOB, Air Cleaner Cover
480	806660		SCREW -(Tube Clamp) (Purge Line Hose)
582	807381		CLAMP, Air Cleaner
600	845213		SPACER, Air Cleaner
600A	843564		SPACER, Air Cleaner
601C	691145		CLAMP, Hose -(Silver)
643	692079		RETAINER, Air Filter
643A	844932		RETAINER, Air Cleaner
649	842446		STUD -(Air Cleaner Cover)
711C	691492		SCREW -(Carburetor Shield)
717	806440		STRAP/STUD, Air Cleaner Mounting
813A	807377		CLAMP
875A	845217		BASE, Air Cleaner
961	841233		SCREW -(Air Cleaner Bracket) (M6x10mm)
961	807084		SCREW -(Air Cleaner Bracket) (M6x14mm)
961	691593		SCREW -(Air Cleaner Bracket) (M6x12mm)
967B	692520		FILTER, Pre Cleaner -(Round)
968B	808654		COVER, Air Cleaner -(Used With Metal Air Cleaner Base)
996	845211		SHIELD, Carburetor
996A	845543		SHIELD-CARBURETOR
1004B	690865		DUCT, Air -(Used With Metal Air Cleaner Base)
1046	841165		PLUG, Blower Housing
1130A	690869		STUD -(Intake Manifold) (M6x112mm)
1130A	842448		STUD -(Intake Manifold) (M6 x 98mm)
1315	842445		HOSE, Air Cleaner
1395	807084		SCREW -USE REFERENCE 971 (M6x14mm)
1406	842623		VALVE, Debris



Air Cleaner Systems

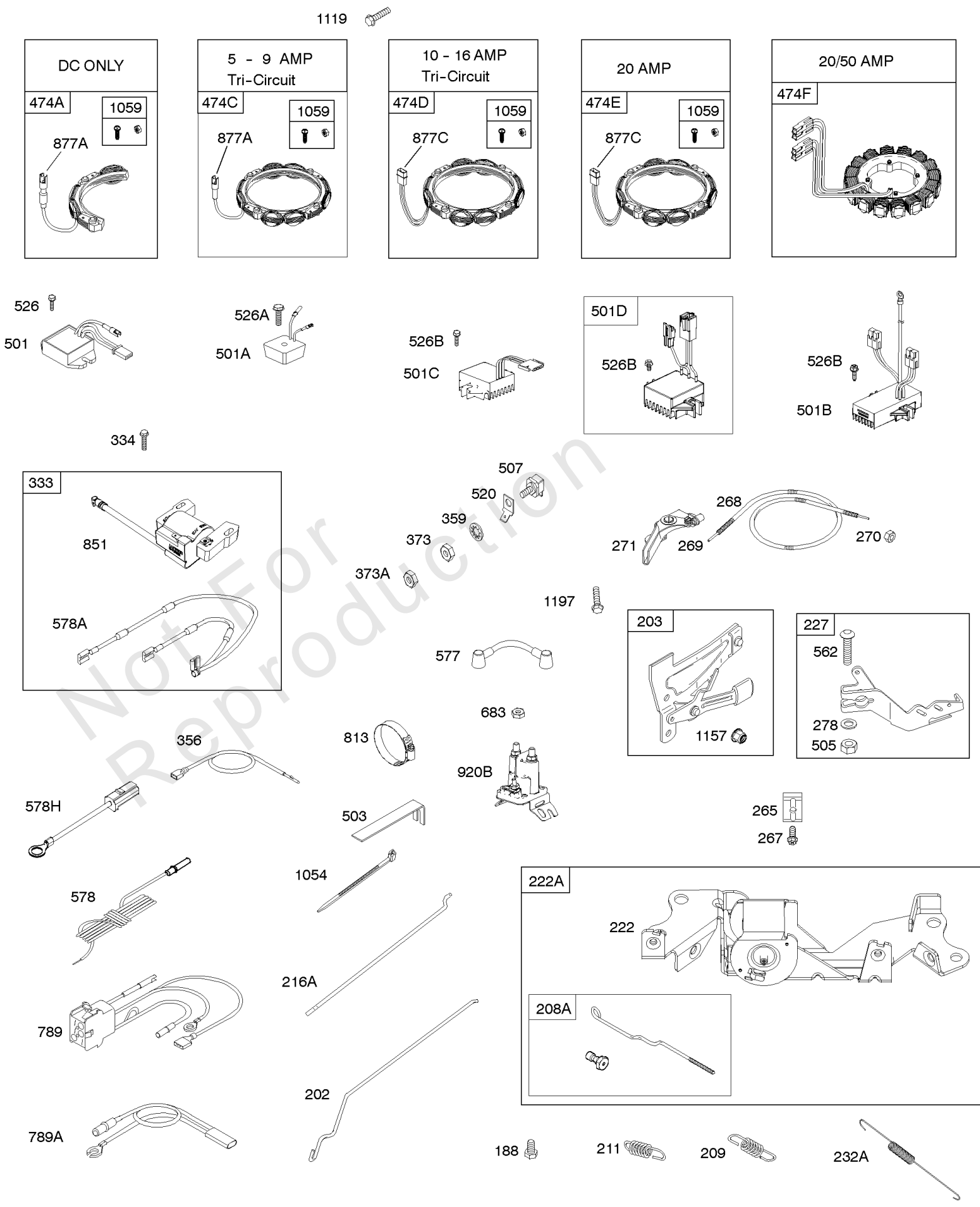
REF NO	PART NO	QTY	DESCRIPTION
1425	844712		HOSE, Purge Line
1431	844035		WASHER -(Tube Clamp) (Purge Line Hose)

Not For Reproduction



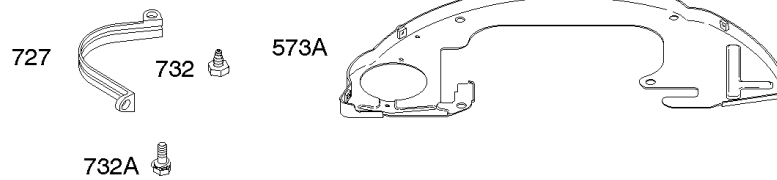
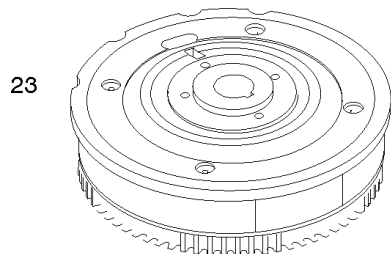
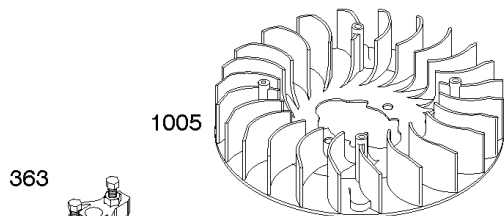
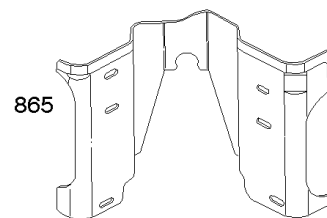
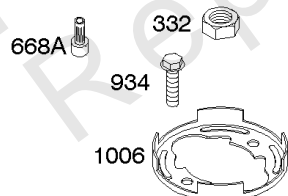
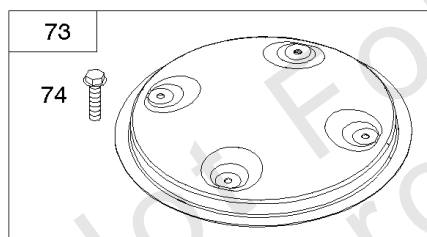
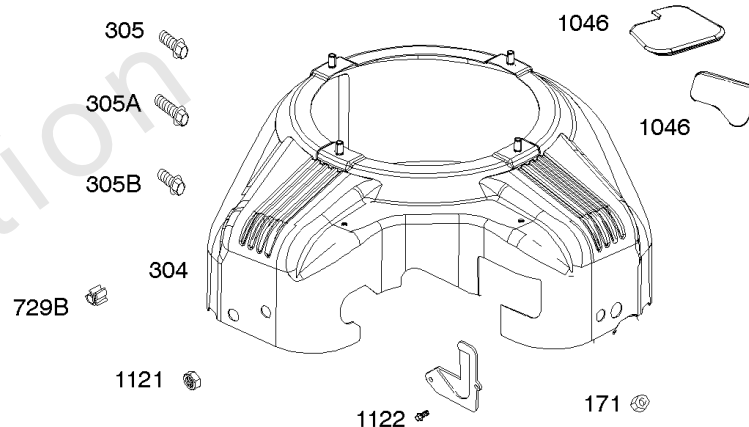
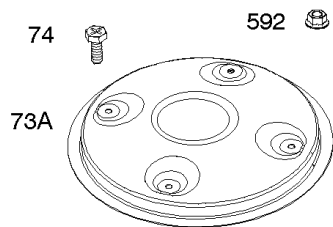
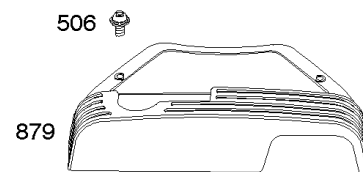
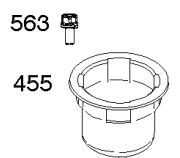
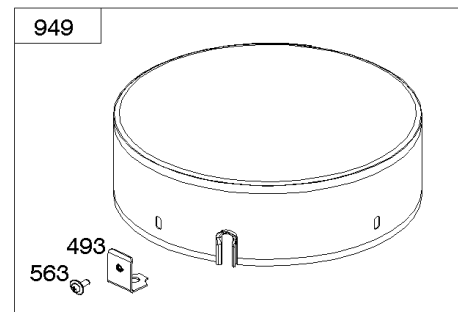
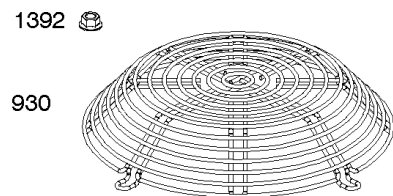
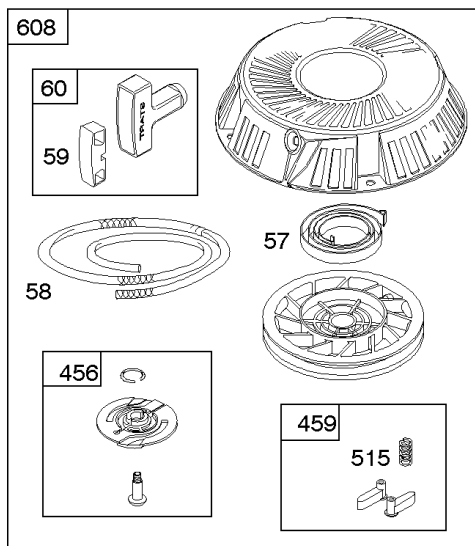
Alternator, Regulators, Controls, Governor Spring

REF NO	PART NO	QTY	DESCRIPTION
188	692056		SCREW -(Control Bracket)
202	690867		LINK, Mechanical Governor
203	808753		CRANK, Bell
208A	808453		ROD, Governor Control
209	692071		SPRING, Governor -(White)
211	692069		SPRING, Governed Idle
216A	690871		LINK, Choke
222	845305		BRACKET, Control
222A	808454		BRACKET, Control
227	690236		LEVER, Governor Control
232A	690874		SPRING/LINK, Governor
265	691024		CLAMP, Casing
267	692083		SCREW -(Casing Clamp) (M5x12mm)
267	841552		SCREW -(Casing Clamp) (M5x20mm)
267	592577		SCREW -(Casing Clamp) (#10-32x.62)
268	691025		CASING, Control Wire -(Cut To Required Length)
269	691026		WIRE, Control -(Cut To Required Length)
270	691027		NUT -(Control Wire Casing)
271	691028		LEVER, Control
278	842122		WASHER -(Governor Control Lever)
333	845606		ARMATURE, Magneto
334	692066		SCREW -(Magneto Armature)
356	807063		WIRE, Stop
359	691077		WASHER -(Ground Terminal)
373	845823		NUT -(Ground Terminal)
373A	691612		NUT -(Ground Terminal) (Locking)
474D	592830		ALTERNATOR -(10 Amp Circuit)
501	845907		REGULATOR -(3 Wire)(16 Amp)
503	845016		STRAP, Starter -(60mm)
505	844752		NUT -(Governor Control Lever)
507	691972		INSULATOR
520	691084		TERMINAL, Ground
526	692067		SCREW -(Regulator) (M6x12mm)
526A	690717		SCREW -(Regulator) (M6x30mm)
526B	691547		SCREW -(Regulator) (M6x28mm)
562	690239		BOLT -(Governor Control Lever)



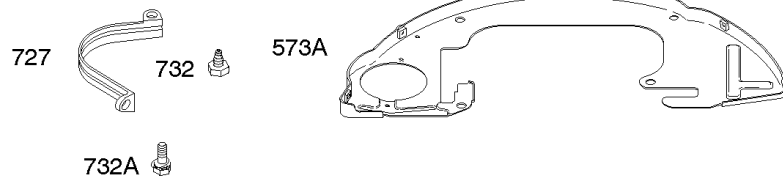
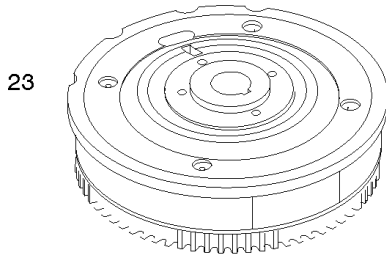
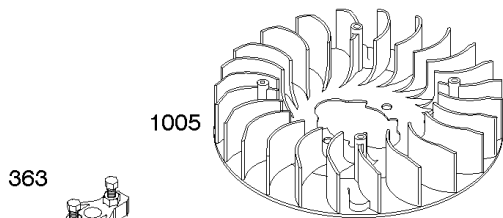
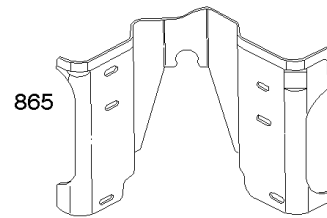
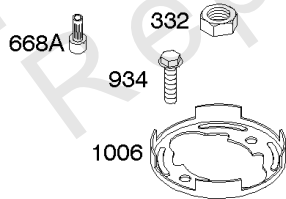
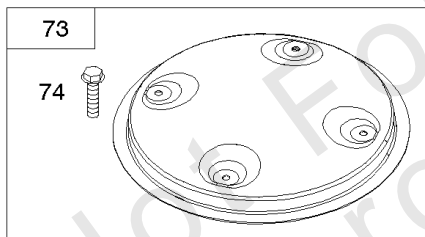
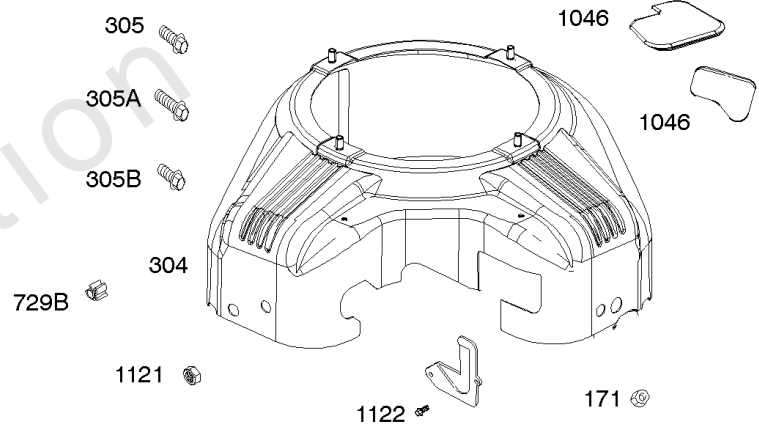
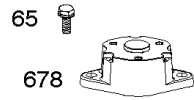
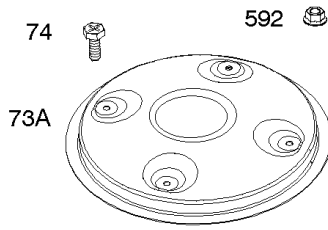
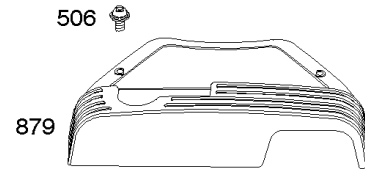
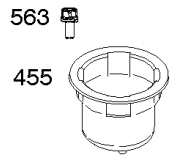
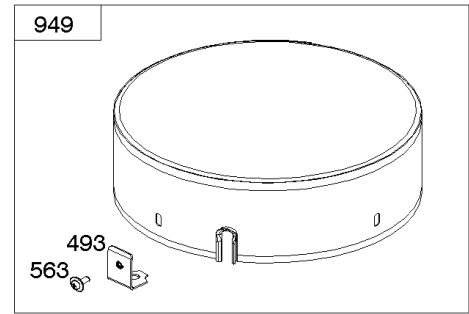
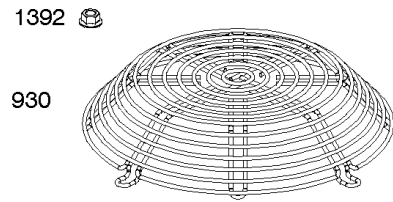
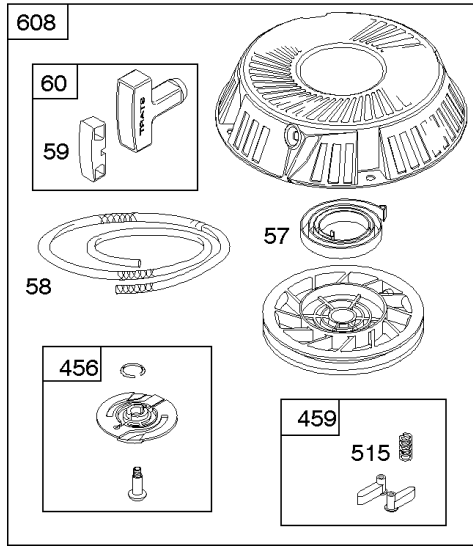
Alternator, Regulators, Controls, Governor Spring

REF NO	PART NO	QTY	DESCRIPTION
577	690795		CABLE, Starter
578	692306		WIRE ASSEMBLY
578A	844547		HARNESS, Wiring -(With Diodes)
683	691029		NUT -(Starter Solenoid)
789	698332		HARNESS, Wiring
813	690635		CLAMP
851	493880S		TERMINAL-SPARK PLUG
877A	393814		WIRE/CONNECTOR, Alternator -(DC Only)
877C	399916		WIRE/CONN-ALTERNATOR -(10 AMP)
920B	846820		SOLENOID, Starter
1054	280275		TIE, Cable
1059	698516		KIT, Screw/Washer
1119	691552		SCREW -(Alternator)
1157	690713		NUT -(Bell Crank) (M5)
1197	841552		SCREW -(Hand Choke Rod)



Blower Housing, Shrouds, Air Guides

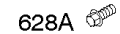
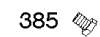
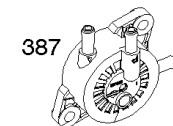
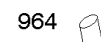
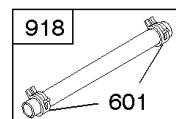
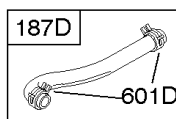
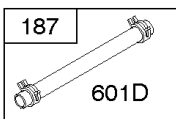
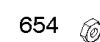
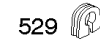
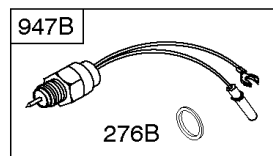
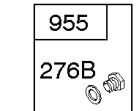
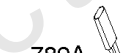
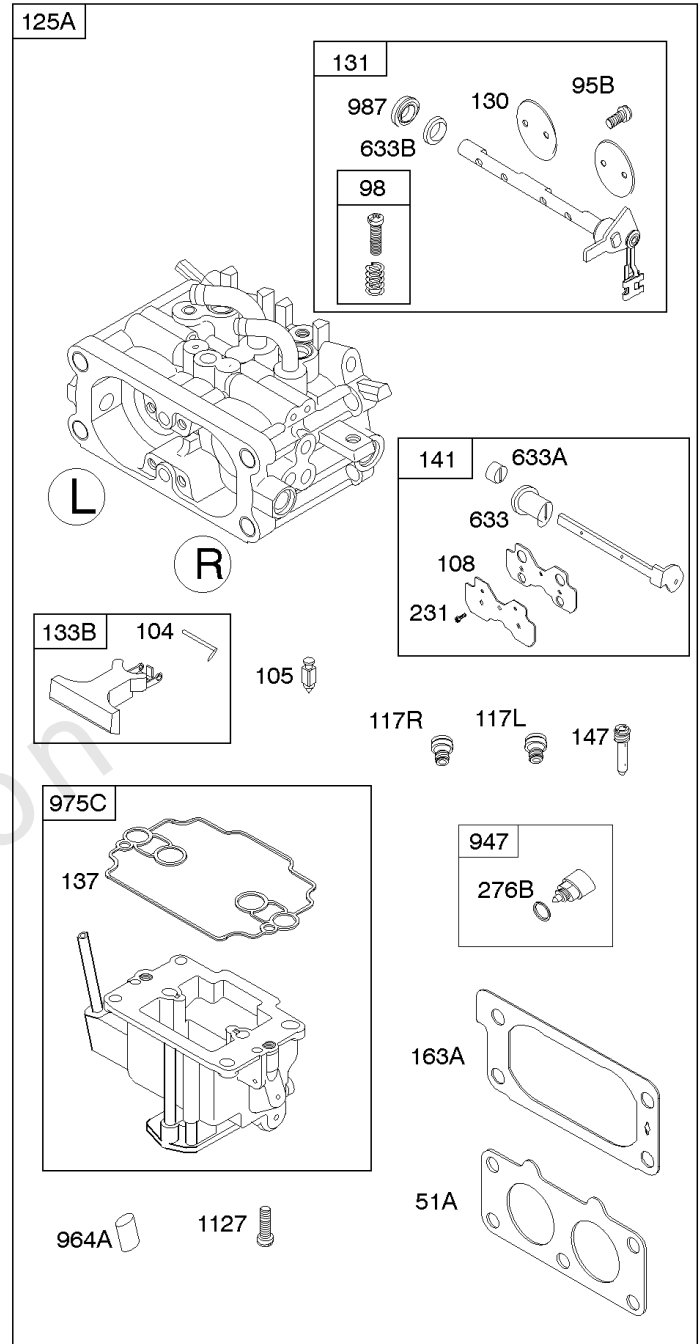
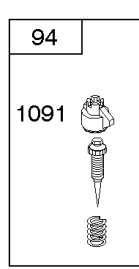
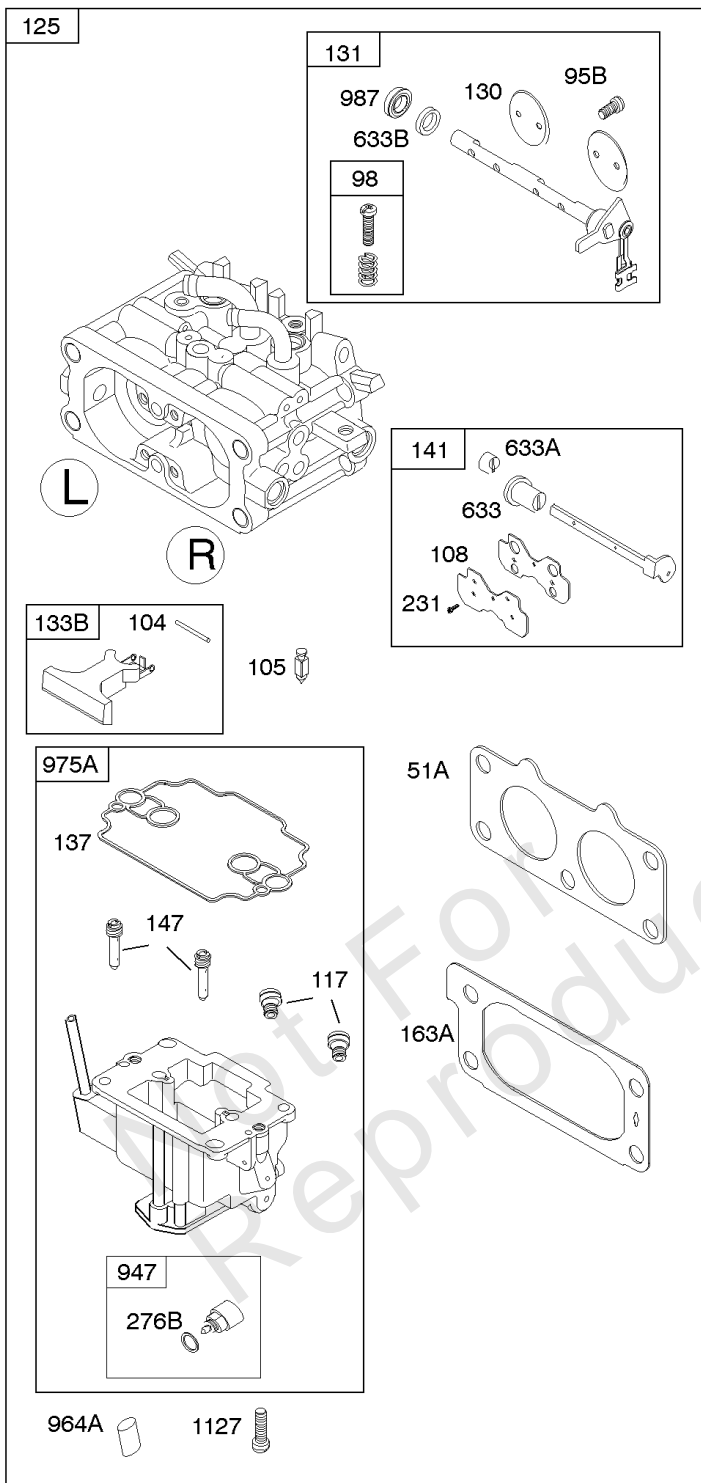
REF NO	PART NO	QTY	DESCRIPTION
23	809236		FLYWHEEL
57	692086		SPRING, Rewind Starter
58	66574		ROPE, Starter
59	805957		INSERT, Grip
60	808167		GRIP, Starter Rope
65	690341		SCREW -(Rewind Starter) (5/16-18 x 0.875)
73	841440		SCREEN, Rotating
73A	841662		SCREEN, Rotating
74	841441		SCREW -(Rotating Screen)
171	690941		NUT -(Air Cleaner) (M8)
215	841183		GUIDE, Air -(5) Wires
215A	841182		GUIDE, Air -(Cylinder 1)
304	841489		HOUSING, Blower
305	692056		SCREW -(Blower Housing) (14mm)
305A	692062		SCREW -(Blower Housing) (18mm Long)
305B	841233		SCREW -(Blower Housing) (12mm Long)
332	690887		NUT -(Flywheel)
363	19203		PULLER, Flywheel
455	841794		CUP, Flywheel
456	845219		PLATE, Pawl Friction
459	845218		PAWL, Ratchet
493	845729		BRACKET, Mounting
506	807120		SCREW -(Carburetor/EFI Cover)
515	691528		SPRING, Pawl
563	841735		SCREW -(Debris Screen Guard)
573A	841310		PLATE, Back
592	690939		NUT -(Rewind Starter) (M6)
608	841729		STARTER, Rewind
668A	691500		SPACER -(Knurled Insert)
678	841730		SPACER -(Rewind)
727	841313		COVER, Starter Drive -(Black)
729B	690586		CLIP, Wire -(Snap In)(Nylon)
732	690688		SCREW -(Starter Drive Cover)
732A	841233		SCREW -(Starter Drive Cover)
865	843768		COVER, Air Guide
879	807460		COVER, Carburetor/EFI
930	846284		GUARD, Flywheel Fan
934	691058		SCREW -(Fan Retainer)



Blower Housing, Shrouds, Air Guides

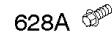
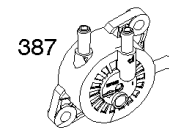
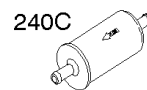
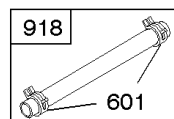
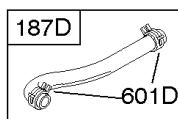
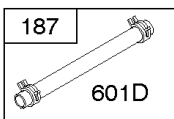
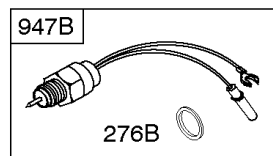
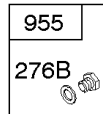
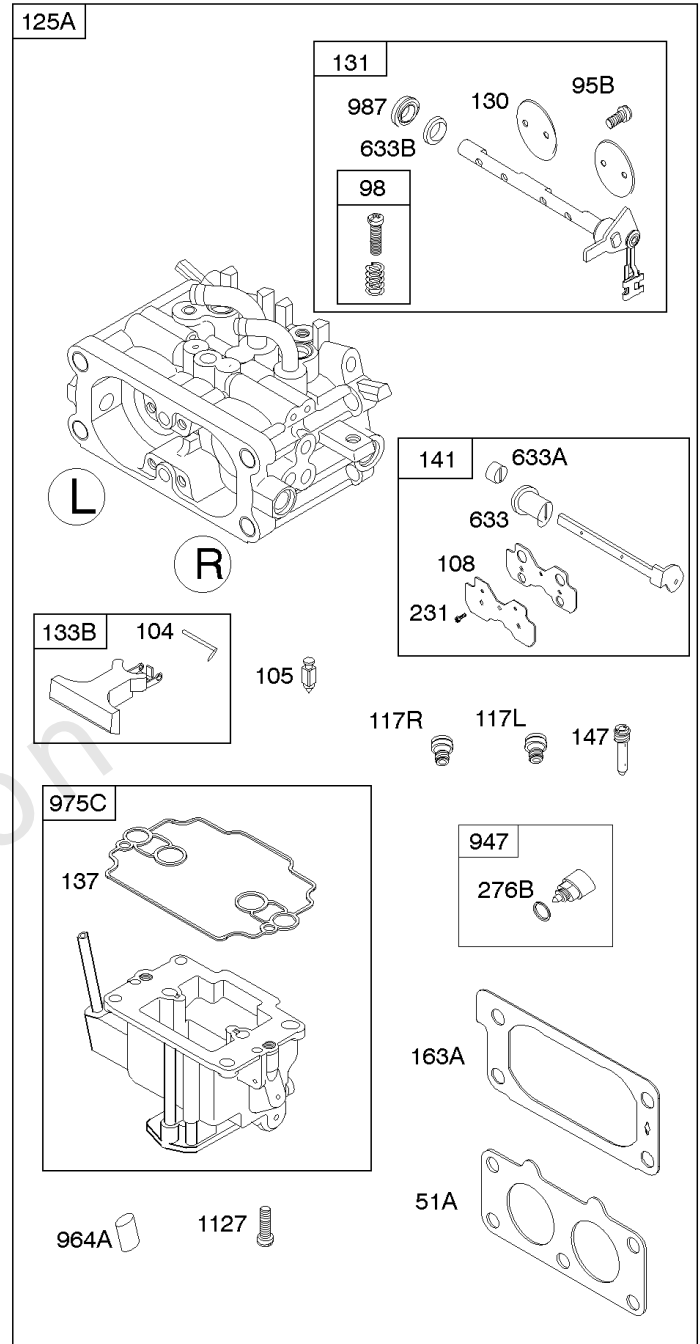
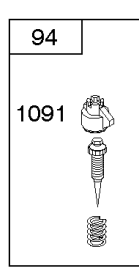
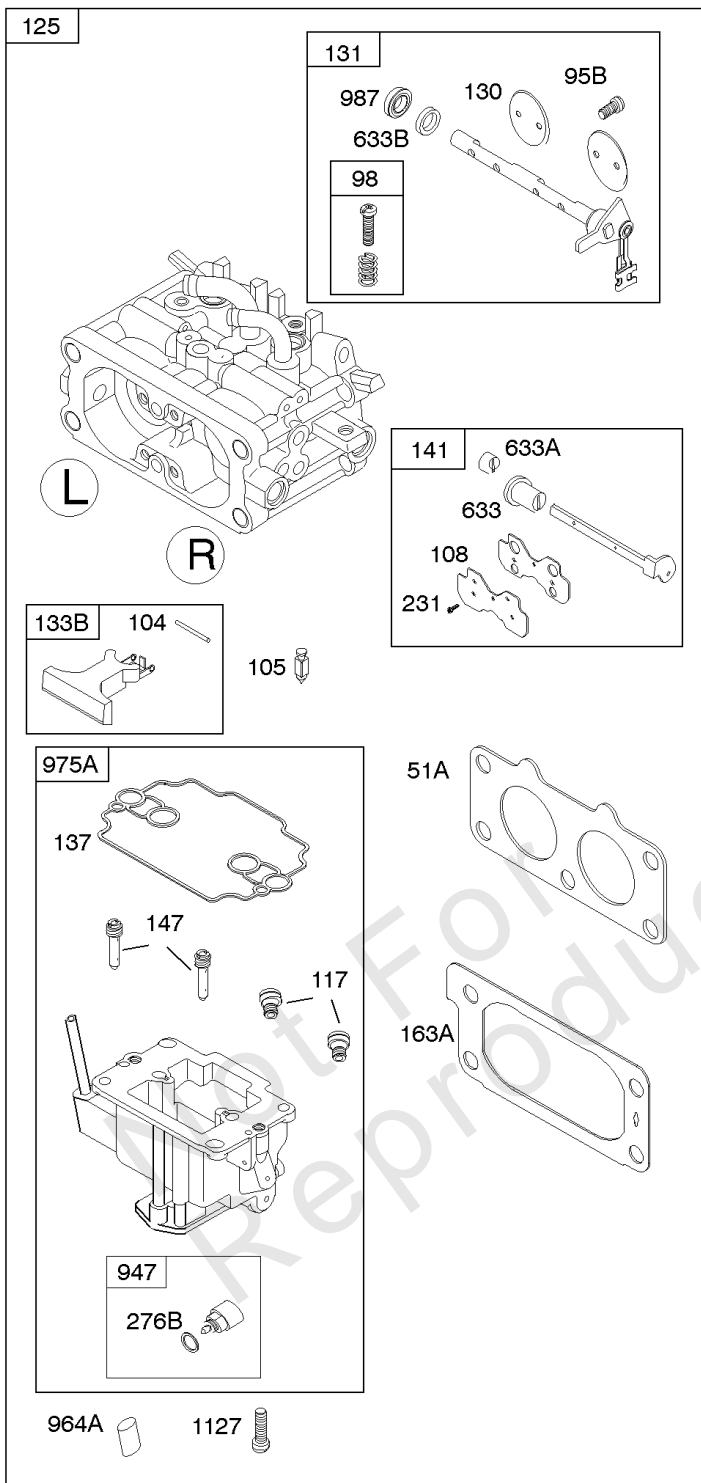
REF NO	PART NO	QTY	DESCRIPTION
949	845728		GUARD, Debris Screen
1005	809179		FAN, Flywheel -Used Before Code Date 04011900
1005	841439		FAN, Flywheel -Used After Code Date 04011800
1006	690452		RETAINER, Fan
1046	841165		PLUG, Blower Housing
1121	810056		NUT -(Fuel Pump Bracket) (M8)
1122	93410		SCREW -(Blower Housing Adapter) (#8-18)
1334	841233		SCREW -(Air Guide)
1392	690939		NUT -(Rewind Guard)

Not For Reproduction



Carburetor, Fuel Supply

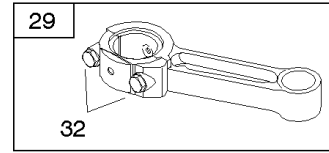
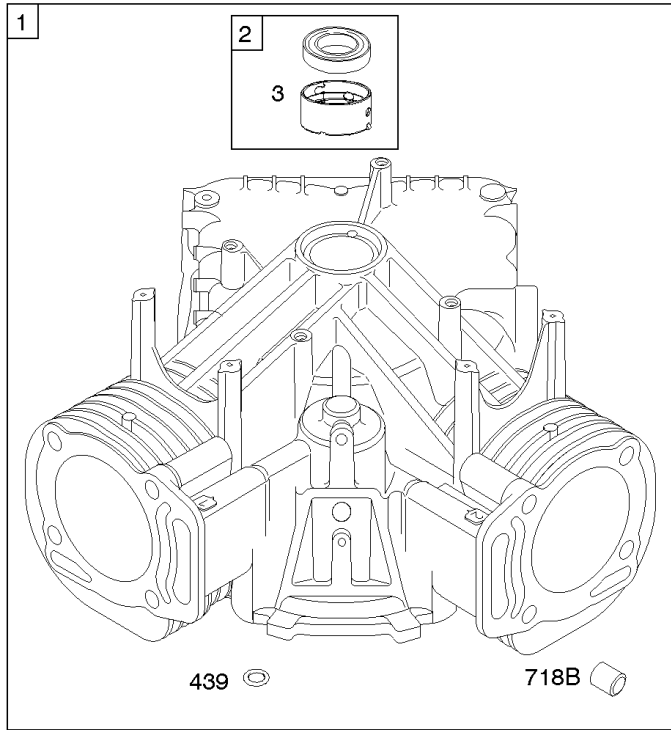
REF NO	PART NO	QTY	DESCRIPTION
51A	690950		GASKET, Intake
94	842883		KIT, Idle Mixture
95B	690718		SCREW -(Throttle Valve)
98	809716		KIT, Idle Speed
104	690739		PIN, Float Hinge
105	809759		VALVE, Float Needle
108	809643		VALVE, Choke
117	809635		JET, Main -(Standard) (QTY 1 Used For Left OR Right Jet)
118	842153		JET, Main -(High Altitude) (5000 Feet)
125	844371		CARBURETOR
130	809642		VALVE, Throttle
131	842068		KIT, Throttle Shaft
133B	809637		FLOAT, Carburetor
137	809645		GASKET, Float Bowl
141	843785		KIT, Choke Shaft
147	845727		JET, Pilot
163A	692087		GASKET, Air Cleaner -(Used With Metal Air Cleaner Base)
187	791745		LINE, Fuel -(23) (Cut to Required Length)
187	791766		LINE, Fuel -(15 Inches Long)(Cut To Required Length)
187D	791744		LINE, Fuel -(Formed)(14 Inches Long)(Cut To Required Length)
231	690718		SCREW -(Choke Valve)
240A	84001895		FILTER, Fuel -(Includes Paper Element With A 40 Micron Rating)
240C	845125		FILTER, Fuel
276B	806476		WASHER, Sealing -(Fuel Solenoid)
385	807084		SCREW -(Fuel Pump)
387	808656		PUMP, Fuel
527	690423		CLAMP, Tube
529	690744		GROMMET
601	691038		CLAMP, Hose -(Black)
601D	791850		CLAMP, Hose
628A	806660		SCREW -(Fuel Pump Bracket)
633	809638		SEAL, Choke/Throttle Shaft -(Choke Collar #1)
633A	809644		SEAL, Choke/Throttle Shaft -(Choke Collar #2)
633B	809641		SEAL, Choke/Throttle Shaft -(Throttle Shaft)
654	690939		NUT -(Carburetor)
788	691559		BRACKET, Fuel Pump
918	791880		HOSE, Vacuum -(Cut To Required Length)
947	842109		SOLENOID, Fuel -(5/16-24 THREAD) -Used After Code Date 09111700



Carburetor, Fuel Supply

REF NO	PART NO	QTY	DESCRIPTION
947B	809632		SOLENOID-FUEL -(M8) -Used Before Code Date 09111800
955	691511		PLUG, Carburetor -(M8) -Used Before Code Date 09111800
964	590799		CAP, Connector
964A	809640		CAP, Connector
975A	844947		BOWL, Float
975C	809717		BOWL, Float
987	809639		SEAL, Choke/Throttle Shaft
1091	691515		CAP, Limiter
1127	809715		SCREW -(Float Bowl to Carburetor Body) (Mount Float Bowl To Carburetor Body)
1135	806497		WASHER -(Crankcase Cover/Sump)

Not For Reproduction



1036 EMISSIONS LABEL

1319 WARNING LABEL

WARNING

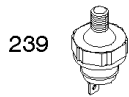
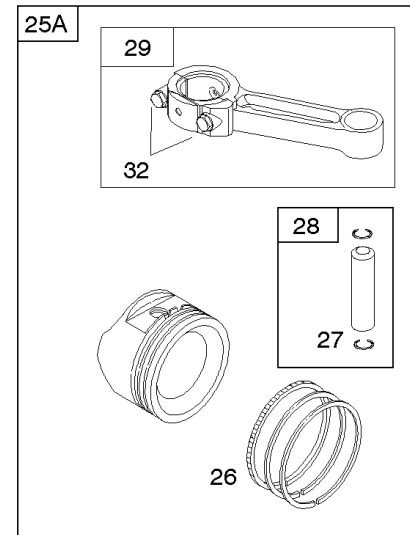
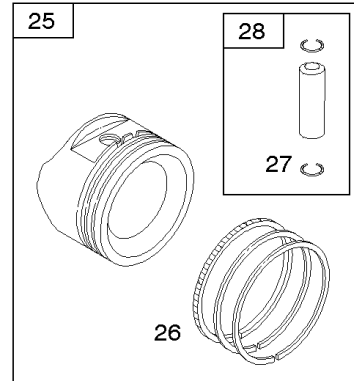
Read and follow Operating Instructions before running engine.

Gasoline is flammable. Allow engine to cool at least 2 minutes before refueling.

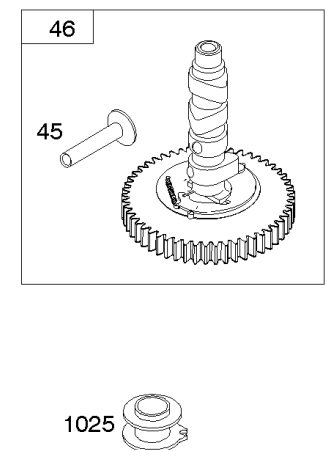
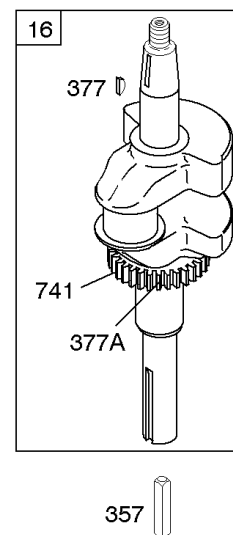
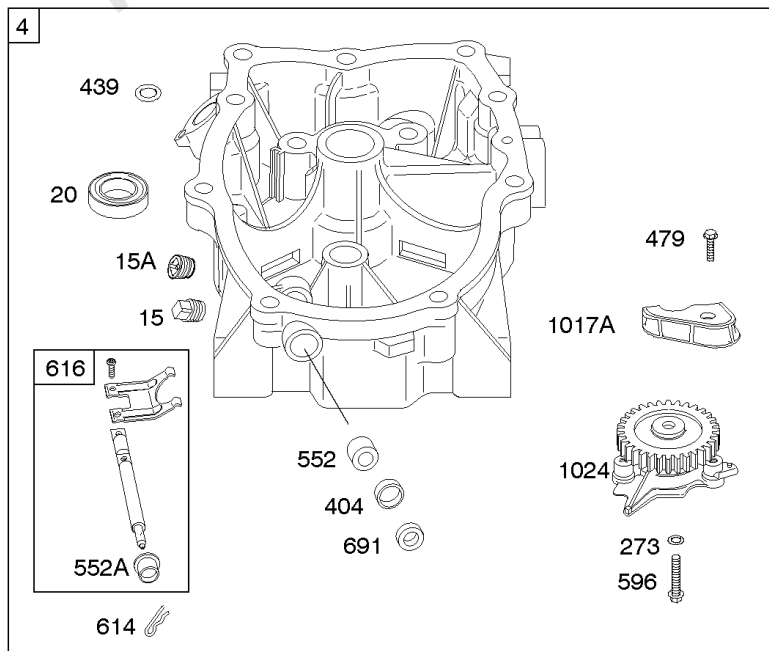
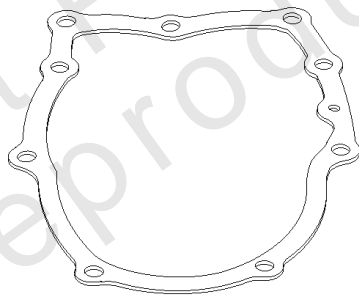
Engines emit carbon monoxide, DO NOT run in enclosed area.

Muffler area temperature may exceed 150°F. Do not touch hot parts.

REQUIRED when replacing parts with warning labels affixed.

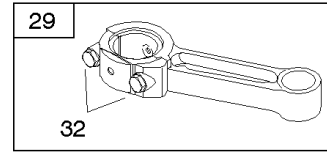
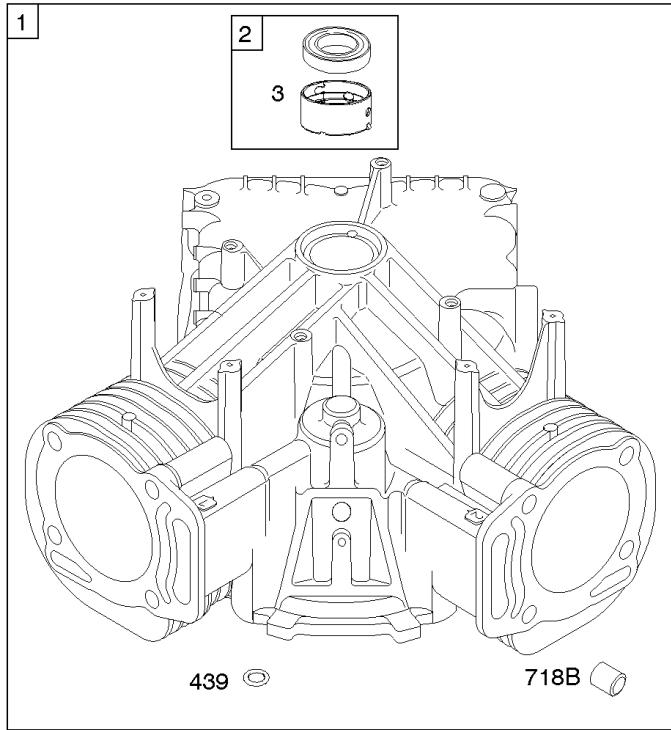


12



Crankshaft, Cylinder, Sump, Piston/Rings/Conn Rod

REF NO	PART NO	QTY	DESCRIPTION
1	808647		CYLINDER ASSEMBLY -Used Before Code Date 05080100
1	842648		CYLINDER ASSEMBLY -Used After Code Date 05073100
2	808534		KIT, Bushing/Seal -(Magneto Side)
3	805101S		SEAL, Oil -(Magneto Side)
4	843954		SUMP, Engine
12	846487		GASKET, Crankcase -(Steel Core Gasket)
15	690946		PLUG, Oil Drain -(3/8"-18 NPTF-External 7/16" Sq)
15A	691680		PLUG, Oil Drain -(3/8"-18 NPTF - Internal 3/8" Sq)
16	809810		CRANKSHAFT -Used Before Code Date 07063000
16	843809		CRANKSHAFT -Used After Code Date 07062900
20	805049S		SEAL, Oil -(PTO Side)
22	807362		SCREW -(Crankcase Cover/Sump)
25	844877		PISTON ASSEMBLY -(.020 Oversize) -Used After Code Date 07062900
25	843805		PISTON ASSEMBLY -(Standard) -Used After Code Date 07062900
25A	844009		PISTON ASSEMBLY -(Standard) -Used Before Code Date 07063000
25A	843823		PISTON ASSEMBLY -(.020 Oversize) (Includes Connecting Rod, Piston, Rings, Piston Pin andPiston Pin Locks) -Used Before Code Date 07063000
26	843824		SET, Ring -(.020 Oversize)
26	843806		SET, Ring -(Standard)
27	690683		LOCK, Piston Pin
28	844023		PIN, Piston
29	807900S		ROD, Connecting -(Standard)
32	690698		SCREW -(Connecting Rod)
45	843379		TAPPET, Valve
46	690927		CAMSHAFT
273	690681		SEAL, O-Ring -(Oil Pump)
357	691483		KEY, Drive Pulley
377	808095		KEY, Flywheel
377A	691639		KEY, Woodruff
404	690704		WASHER -(Governor Crank) (Governor Crank)
415	794903		PLUG -(1/8"-27 NPTF - EXTERNAL SQ)
439	692154		O-RING, Oil Gallery -(Crankcase Cover/Sump or Cylinder Assembly)



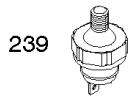
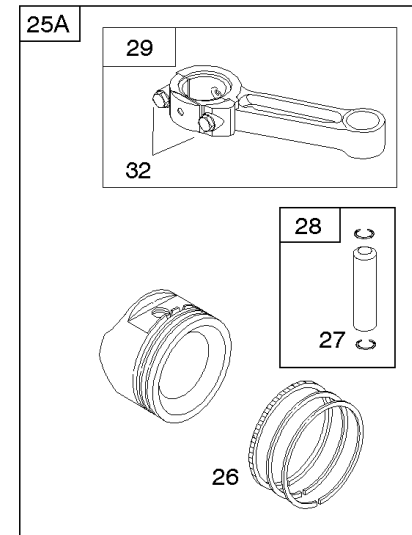
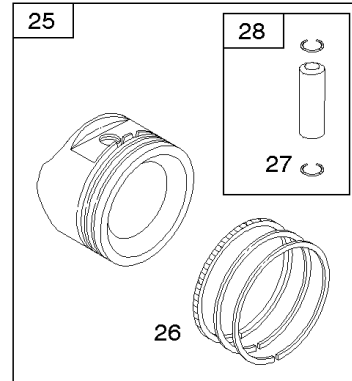
1036 EMISSIONS LABEL

1319 WARNING LABEL

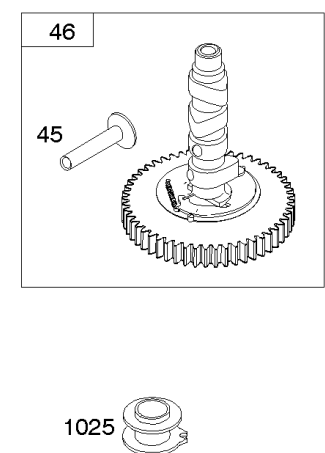
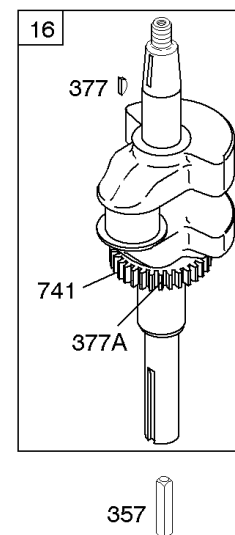
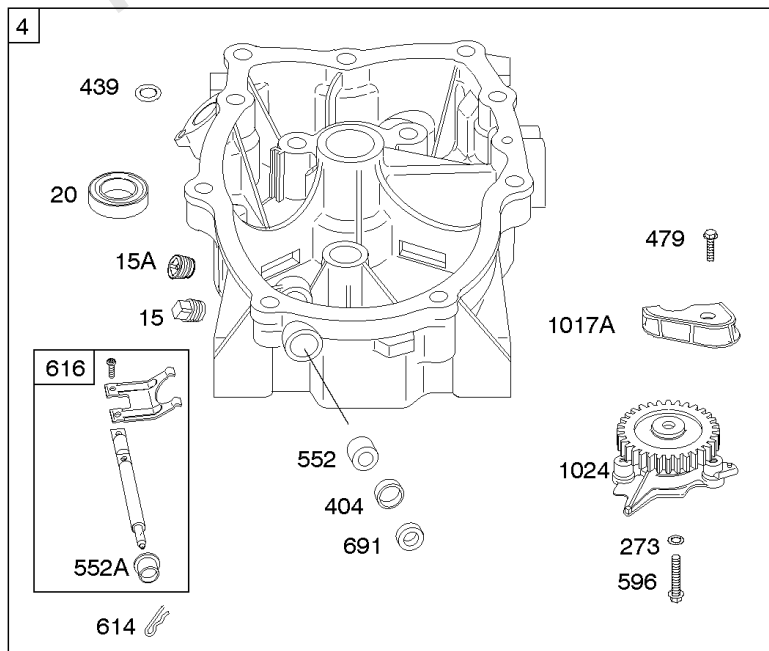
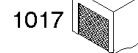
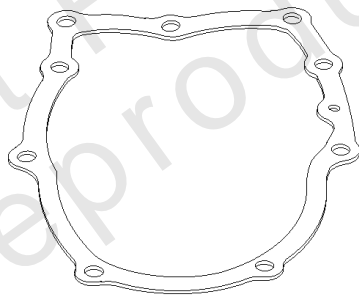
WARNING

- Read and follow Operating Instructions before running engine.
- Gasoline is flammable. Allow engine to cool at least 2 minutes before refueling.
- Engines emit carbon monoxide, **DO NOT** run in enclosed area.
- Muffler area temperature may exceed 150°F. Do not touch hot parts.

REQUIRED when replacing parts with warning labels affixed.

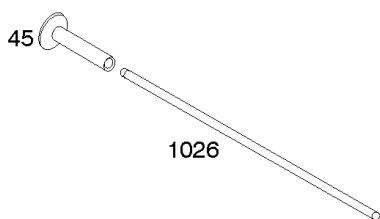
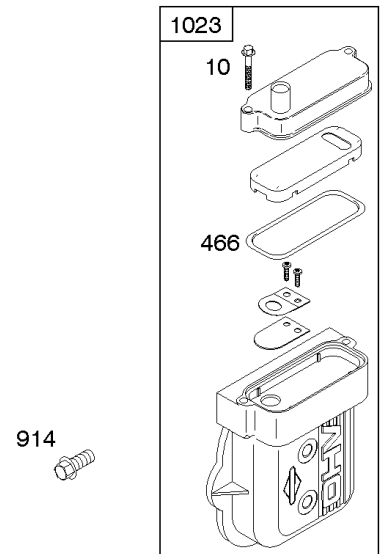
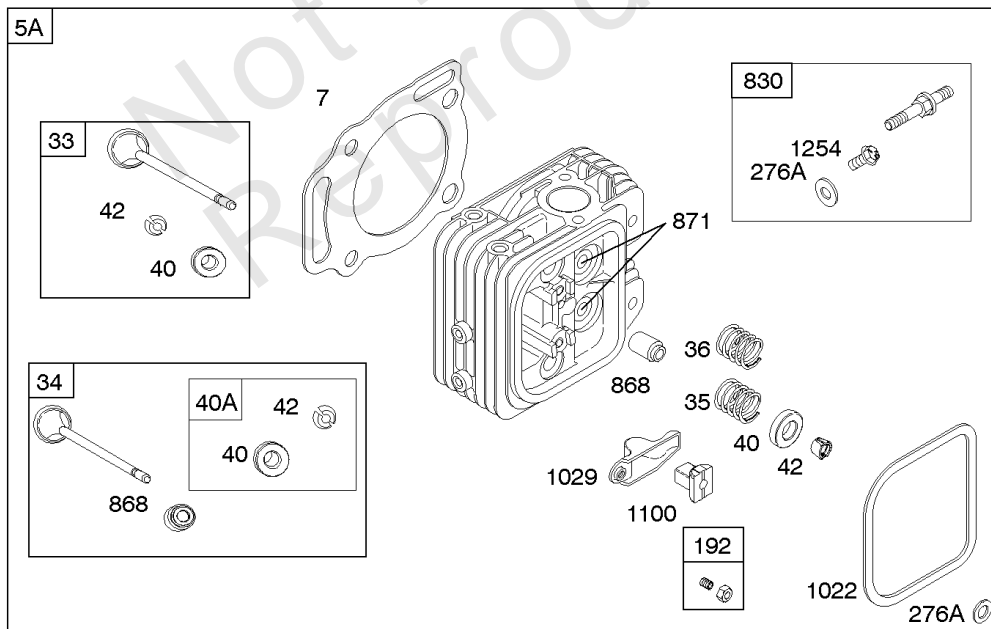
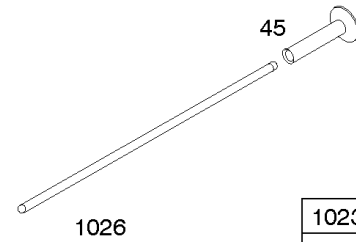
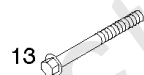
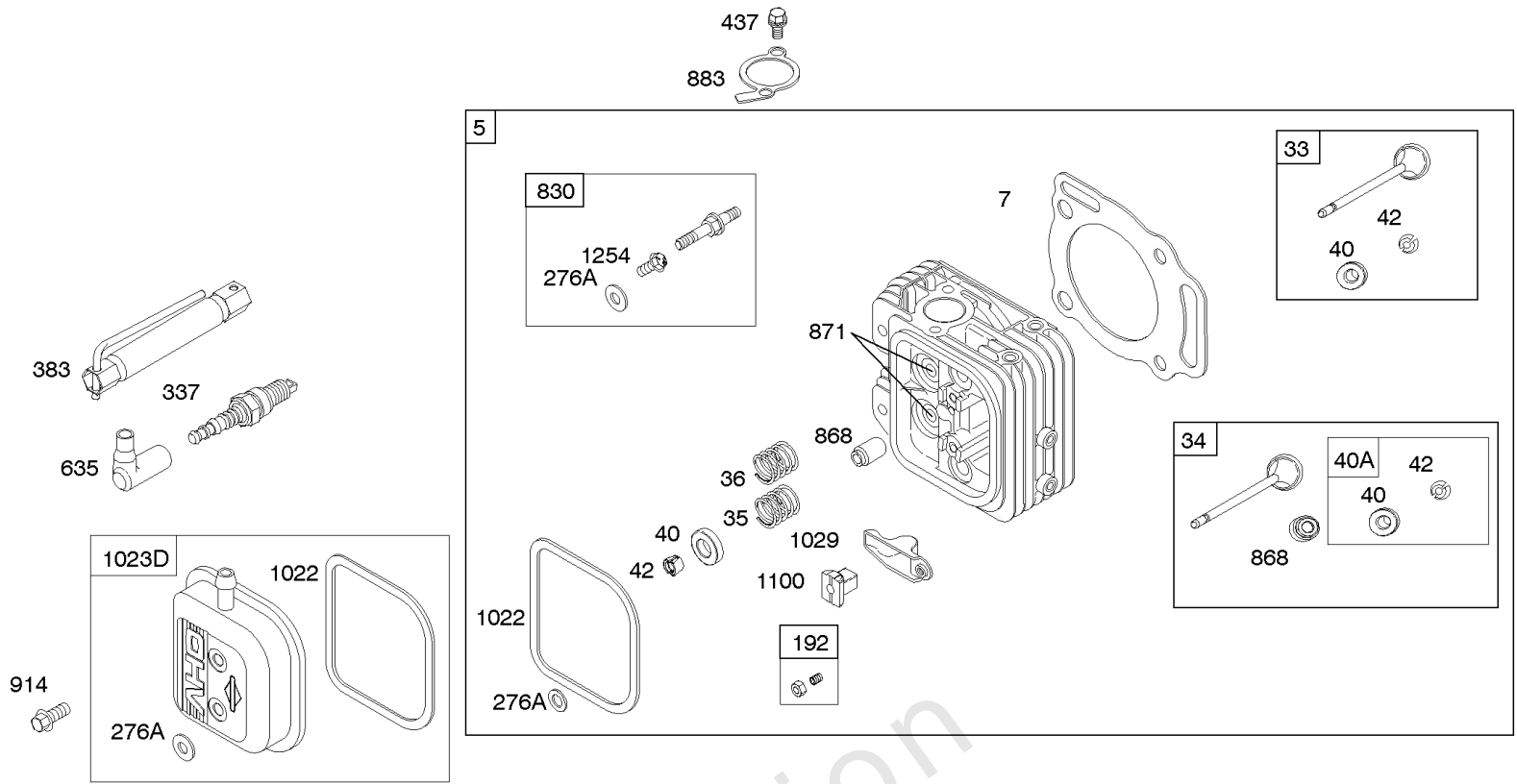


12



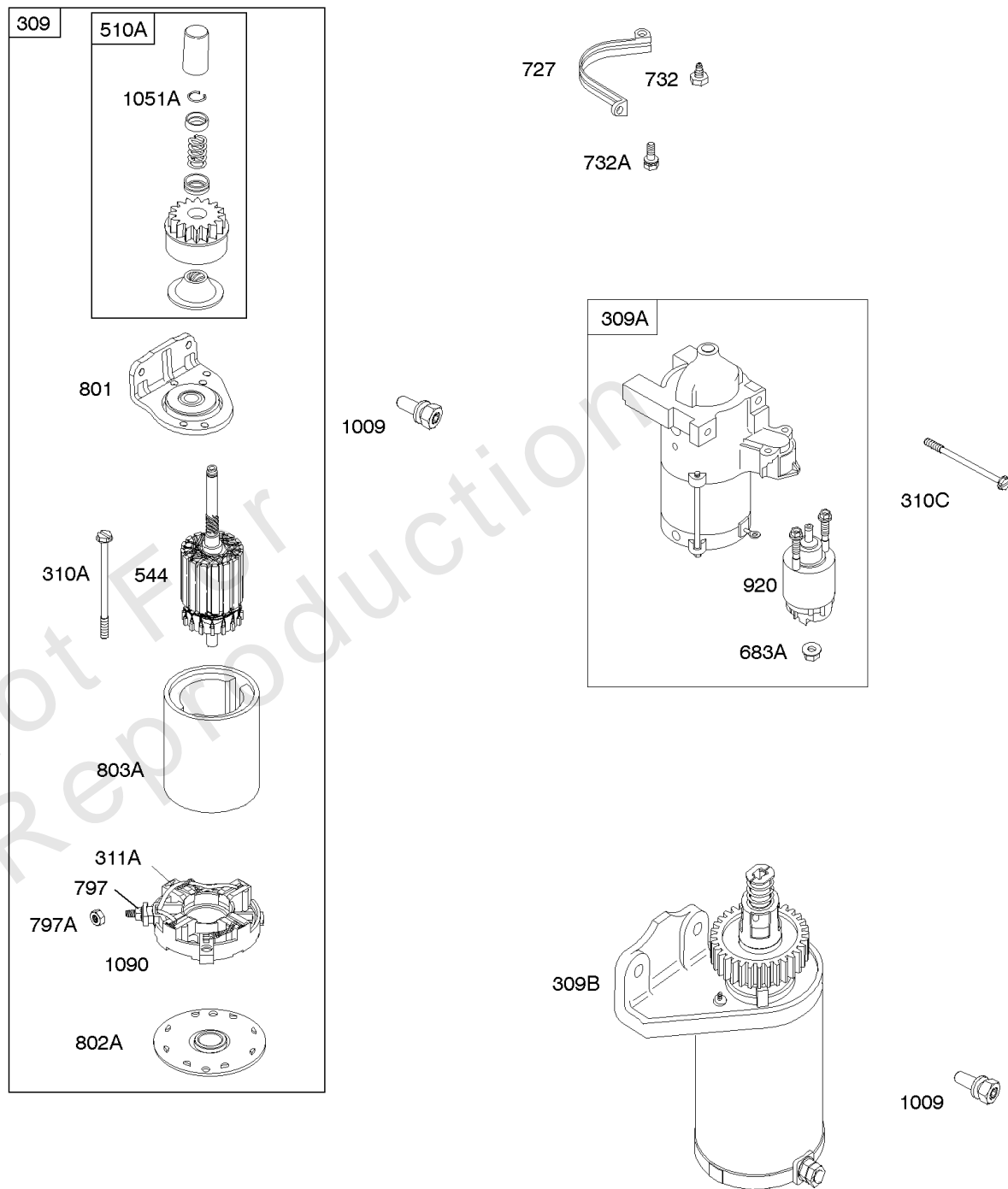
Crankshaft, Cylinder, Sump, Piston/Rings/Conn Rod

REF NO	PART NO	QTY	DESCRIPTION
479	843961		SCREW -(Oil Pump Screen)
552	690701		BUSHING, Governor Crank
552A	806686		BUSHING, Governor Crank
596	807389		SCREW -(Oil Pump)
614	691550		PIN, Cotter
616	806685		CRANK, Governor
691	842826		SEAL, Governor Shaft
718B	806469		PIN, Locating
741	846085		GEAR, Timing
1017	690878		SCREEN, Oil Pump
1017A	843960		SCREEN, Oil Pump
1024	-----		Pump-Oil -(Oil Pump is No Longer Available) (See Reference 4 for correct replacement Engine Sump) -Used Before Code Date 08022700
1024	843959		PUMP, Oil -Used After Code Date 08022600
1025	690689		SPOOL, Governor
1036	-----		Label-Emissions -(Available From A Briggs & Stratton Authorized Dealer)
1135	806497		WASHER -(Crankcase Cover/Sump)
1176	842067		NUT -(Exhaust Manifold) (M8)
1319	794467		LABEL, Warning



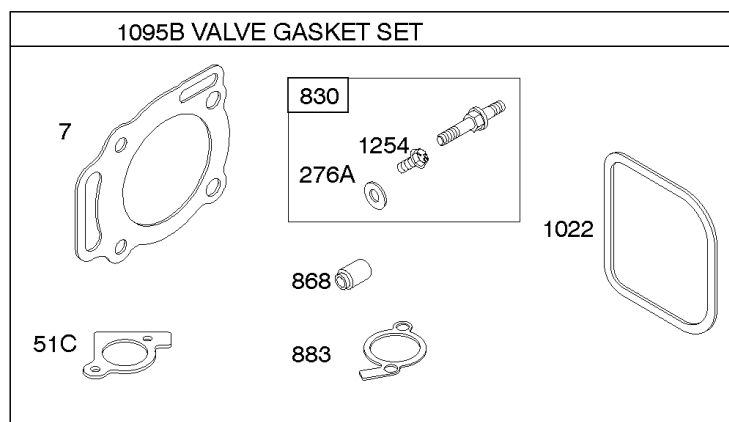
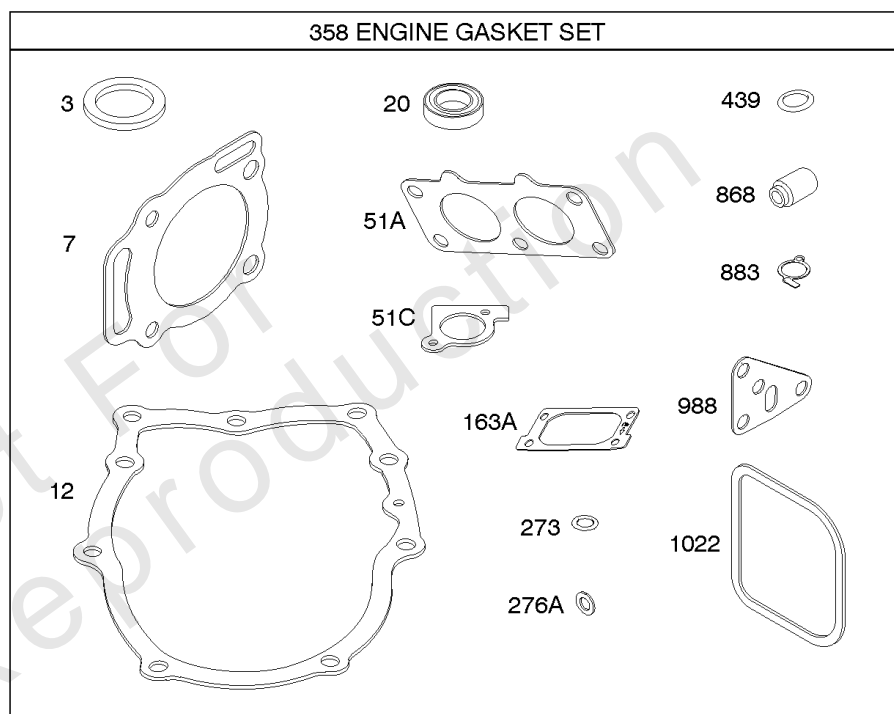
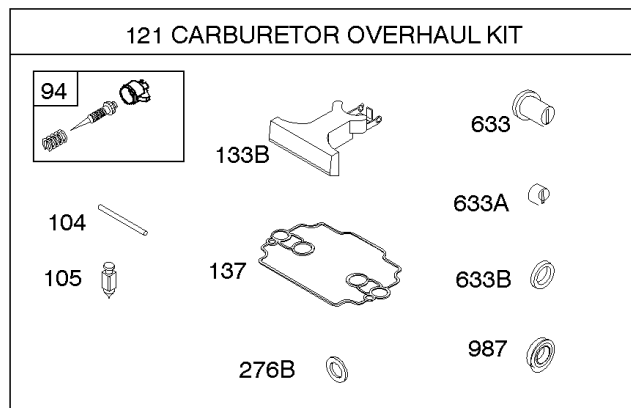
Cylinder Heads, Valve Covers

REF NO	PART NO	QTY	DESCRIPTION
5	845713		HEAD, Cylinder -(Cylinder 1)
5A	845714		HEAD, Cylinder -(Cylinder 2)
7	842622		GASKET, Cylinder Head -(Graphoil)
10	806421		SCREW -(Breather Assembly)
13	842618		SCREW -(Cylinder Head) (M8x106mm)
33	806419		VALVE, Exhaust
34	845712		VALVE, Intake -Used After Code Date 12021200
34	843751		VALVE, Intake -Used Before Code Date 12021300
35	692084		SPRING, Valve -(Intake)
36	692084		SPRING, Valve -(Exhaust)
40	692058		RETAINER, Valve
40A	844895		RETAINER, Valve
42	807683		KEEPER, Valve
45	843379		TAPPET, Valve
192	807623		ADJUSTER, Rocker Arm
276A	807085		WASHER, Sealing -(Rocker Cover)
337	491055S		PLUG, Spark
337	84007216	2	PLUG, SPARK -(China Only)
383	19576S		WRENCH, Spark Plug
437	691902		SCREW -(Exhaust Manifold)
466	806466		SEAL, O-Ring -(Breather Assembly)
635	692076		BOOT, Spark Plug
830	809157		STUD, Rocker Arm -(Rocker Arm)
868	691963		SEAL, Valve
871	692057		BUSHING, Valve Guide
883	806425		GASKET, Exhaust
914	807084		SCREW -(Rocker Cover) (M6x14mm)
1022	806039S		GASKET, Rocker Cover
1023	843750		COVER, Rocker -(Includes Breather Assembly)
1023D	691558		COVER, Rocker -(Cylinder 1) (Fuel Pump)
1026	691758		ROD, Push -(Exhaust)(Aluminum)
1026	691836		ROD, Push -(Intake)(Steel)
1029	807323		ARM, Rocker
1100	791959		PIVOT, Rocker Arm
1254	807084		SCREW -(Rocker Arm Stud)



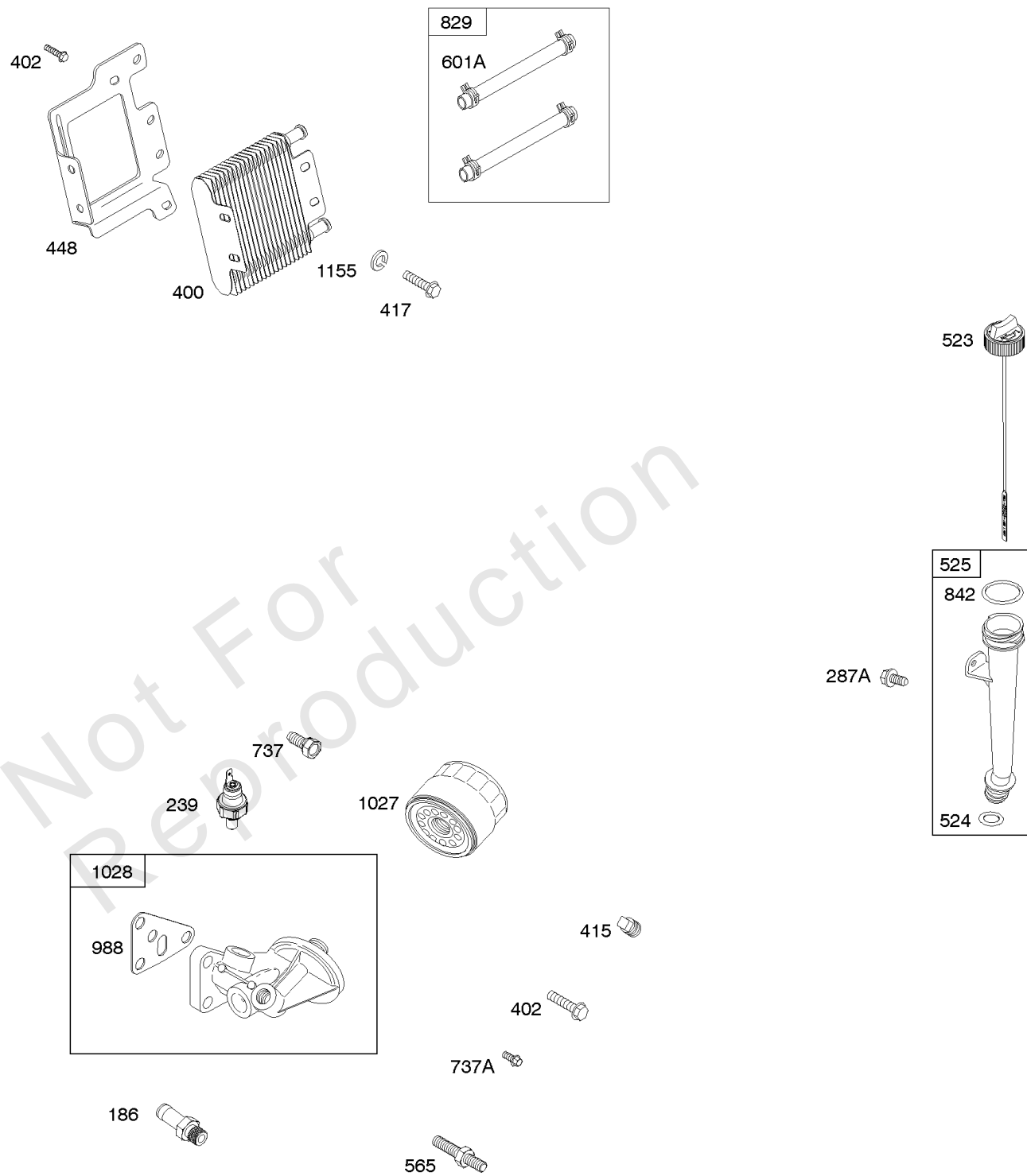
Electric Starters

REF NO	PART NO	QTY	DESCRIPTION
309	846451		MOTOR, Starter -(Steel Ring Gear Only) -Used Before Code Date 11011500
309B	844717		MOTOR, Starter -Used After Code Date 11011400
310A	690323		SCREW -(Starter Motor) (#10-24x4.4" Long)
310C	806474		SCREW -(Starter Motor)
311A	497608		SET, Brush
510A	496881		DRIVE, Starter -(Steel Pinion Gear)
544	-----		Armature-Starter -(Service With 846451 Starter Motor Only)
683A	845758		NUT -(Starter Solenoid) (M6)
727	841313		COVER, Starter Drive -(Black)
732	690688		SCREW -(Starter Drive Cover)
732A	841233		SCREW -(Starter Drive Cover)
797	693167		NUT -(Brush Retainer)
797A	691029		NUT -(Brush Retainer)
801	-----		Cap-Drive
802A	691286		CAP, End
803A	-----		Housing-Starter
1009	691902		SCREW -(USE REFERENCE 697 ONLY) (Starter Motor)
1051A	691124		RING, Retaining
1090	691293		RETAINER, Brush



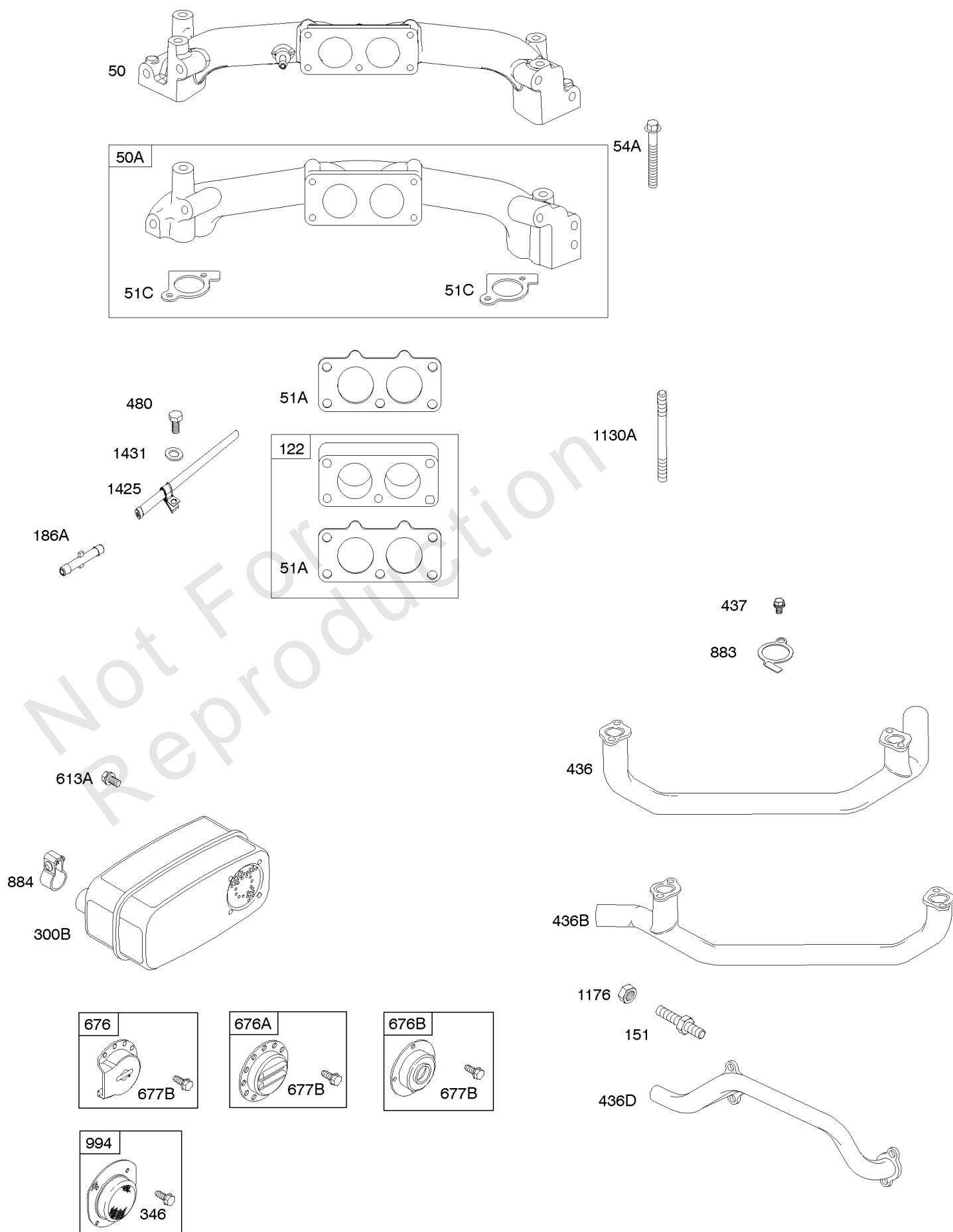
Engine, Valve, and Carburetor Kits

REF NO	PART NO	QTY	DESCRIPTION
3	805101S		SEAL, Oil -(Magneto Side)
7	842622		GASKET, Cylinder Head -(Graphoil)
12	846487		GASKET, Crankcase -(Steel Core Gasket)
20	805049S		SEAL, Oil -(PTO Side)
51A	690950		GASKET, Intake
51C	806418		GASKET, Intake -(Manifold/Heads)
94	842883		KIT, Idle Mixture
104	690739		PIN, Float Hinge
105	809759		VALVE, Float Needle
121	843787		KIT, Carburetor Overhaul
133B	809637		FLOAT, Carburetor
137	809645		GASKET, Float Bowl
163A	692087		GASKET, Air Cleaner -(Used With Metal Air Cleaner Base)
273	690681		SEAL, O-Ring -(Oil Pump)
276A	807085		WASHER, Sealing -(Rocker Cover)
276B	806476		WASHER, Sealing -(Fuel Solenoid)
358	842658		GASKET SET, Engine
439	692154		O-RING, Oil Gallery -(Crankcase Cover/Sump or Cylinder Assembly)
633	809638		SEAL, Choke/Throttle Shaft -(Choke Collar #1)
633A	809644		SEAL, Choke/Throttle Shaft -(Choke Collar #2)
633B	809641		SEAL, Choke/Throttle Shaft -(Throttle Shaft)
830	809157		STUD, Rocker Arm -(Rocker Arm)
868	691963		SEAL, Valve
883	806425		GASKET, Exhaust
987	809639		SEAL, Choke/Throttle Shaft
988	692063		GASKET, Oil Adapter
1022	806039S		GASKET, Rocker Cover
1095B	842662		GASKET SET, Valve
1254	807084		SCREW -(Rocker Arm Stud)



Lubrication, Oil Fill

REF NO	PART NO	QTY	DESCRIPTION
186	693184		CONNECTOR, Hose
287A	807084		SCREW -(Dipstick Tube)
400	846489		COOLER, Oil
402	690679		SCREW -(Oil Filter Cover)
415	794903		PLUG -(1/8"-27 NPTF - EXTERNAL SQ)
417	843345		SCREW -(Oil Cooler)
448	841488		BRACKET, Oil Cooler
523	692101		DIPSTICK
524	692053		SEAL, O-Ring -(Dipstick Tube)
525	692093		TUBE, Dipstick
565	690682		STUD -(Oil Filter Adapter)
601A	841597		CLAMP, Hose
737	690679		SCREW -(Oil Filter Adapter)
737A	841233		SCREW -(Oil Filter Adapter) (M6x10mm)
829	841999		HOSE/CLAMP ASSEMBLY
842	691870		SEAL, O-Ring -(Dipstick Tube)
988	692063		GASKET, Oil Adapter
1027	842921		FILTER, Oil
1028	843898		ADAPTER, Oil Filter
1155	806647		WASHER -(Oil Cooler)



Muffler, Exhaust Manifold, Intake Manifold

REF NO	PART NO	QTY	DESCRIPTION
50	844504		MANIFOLD, Intake
50A	806376		MANIFOLD, Intake
51A	690950		GASKET, Intake
51C	806418		GASKET, Intake -(Manifold/Heads)
54A	806444		SCREW -(Intake Manifold)
122	690870		SPACER, Carburetor
151	841185		STUD -(Exhaust Manifold)
186A	845121		CONNECTOR, Hose
346	690661		SCREW -(Spark Arrestor)
437	691902		SCREW -(Exhaust Manifold)
480	806660		SCREW -(Tube Clamp) (Purge Line Hose)
613A	690297		SCREW -(Muffler)
676	795036		DEFLECTOR, Muffler
676A	795038		DEFLECTOR, Muffler
676B	396903		DEFLECTOR, Muffler
677B	690661		SCREW -(Muffler Deflector) (#8-18)
883	806425		GASKET, Exhaust
884	691956		CLAMP, Muffler
994	794945		ARRESTOR, Spark
1130A	842448		STUD -(Intake Manifold) (M6 x 98mm)
1130A	690869		STUD -(Intake Manifold) (M6x112mm)
1176	842067		NUT -(Exhaust Manifold) (M8)
1425	844712		HOSE, Purge Line
1431	844035		WASHER -(Tube Clamp) (Purge Line Hose)

Replacement Engine - US & Canada

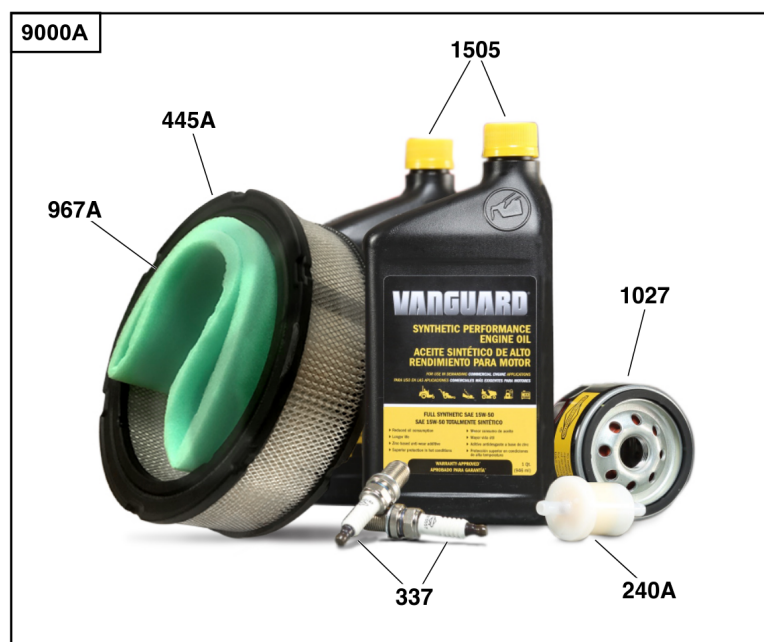
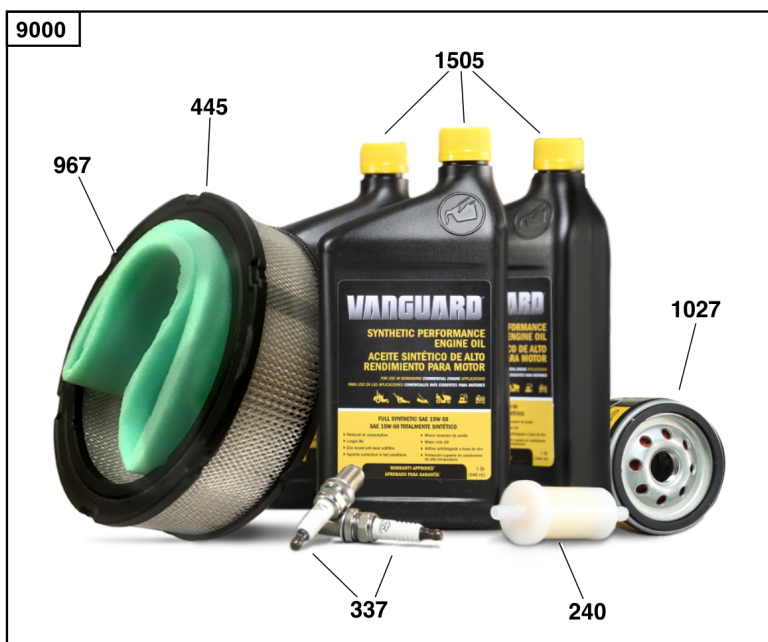
REF NO	PART NO	QTY	DESCRIPTION
	3867773036	1	Replacement Engine
	695393	1	Replacement Short Block
	-----		Top No-Load Speed: 3300 -Trim: ALL
	-----		Service Note: If the original engine is equipped with a Six Pin Wiring Harness transfer to the replacement engine.

Not For Reproduction



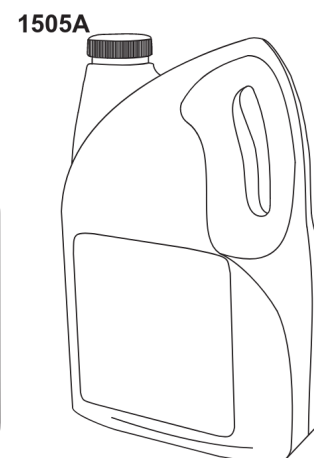
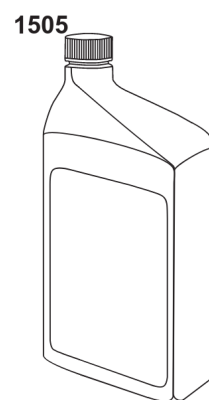
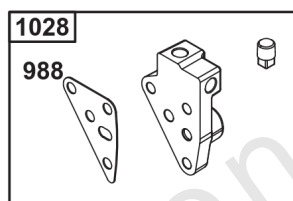
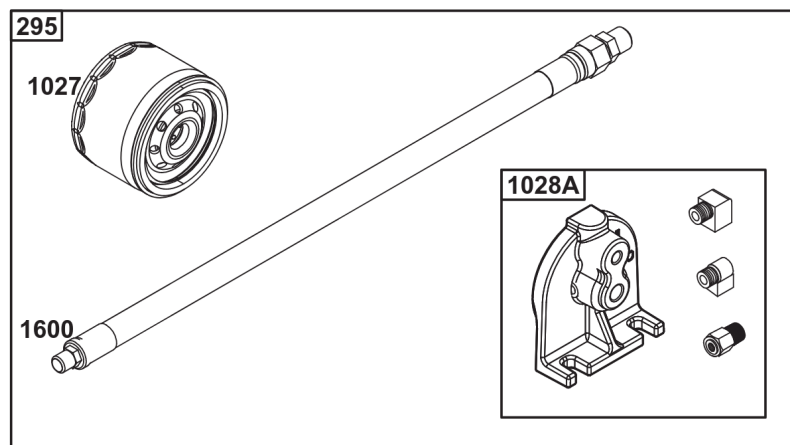
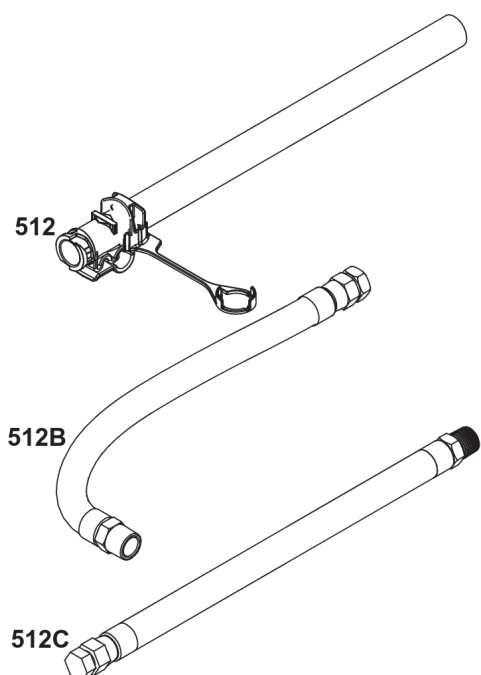
Model 29, 30, 35 & 38 Engine Accessories Catalog

Not For
Reproduction



Maintenance Kits

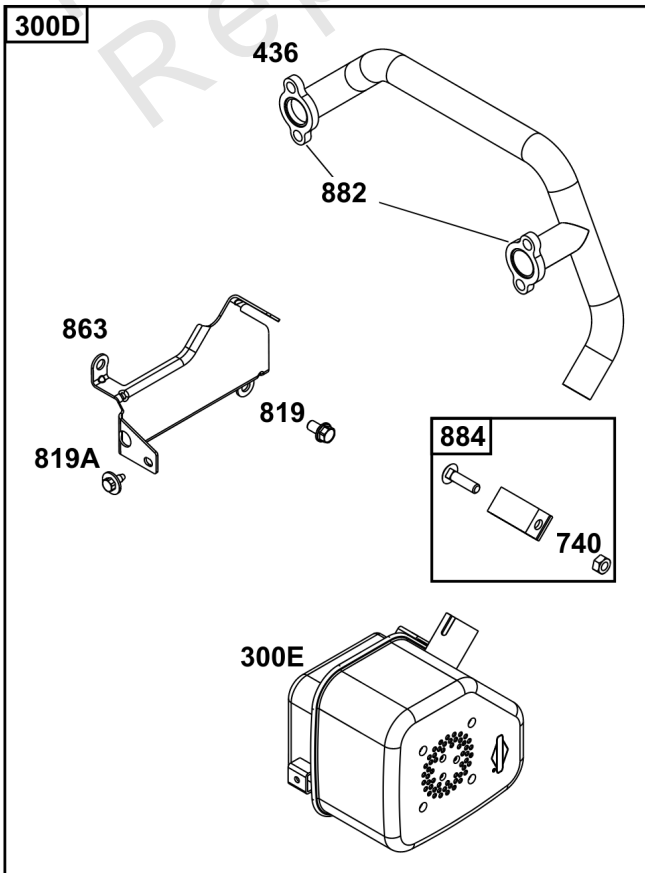
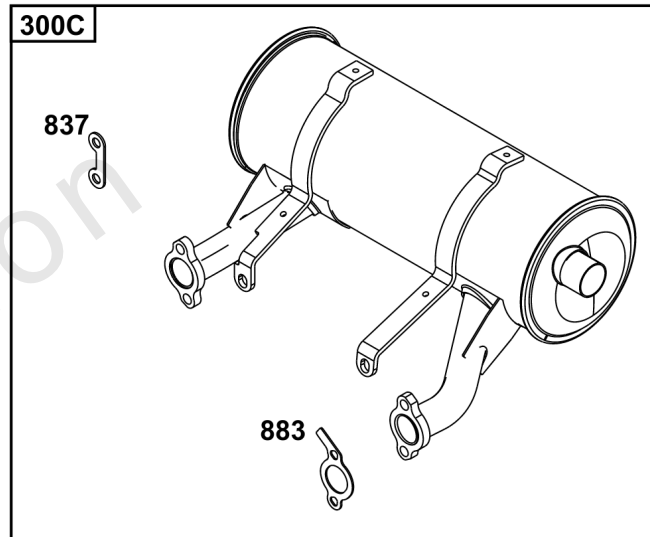
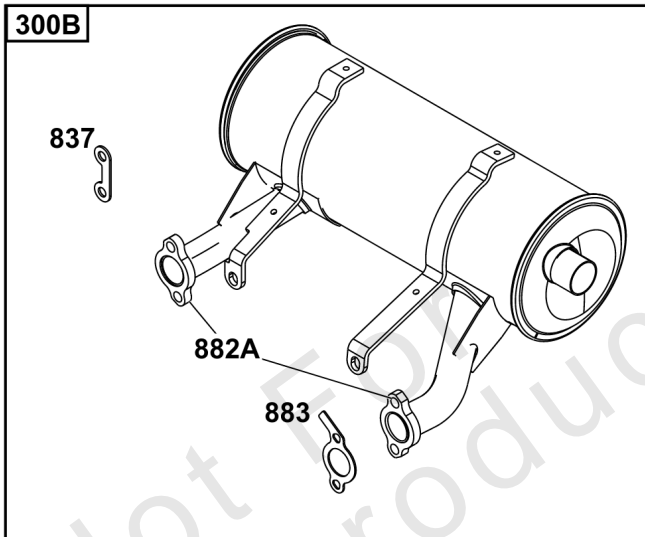
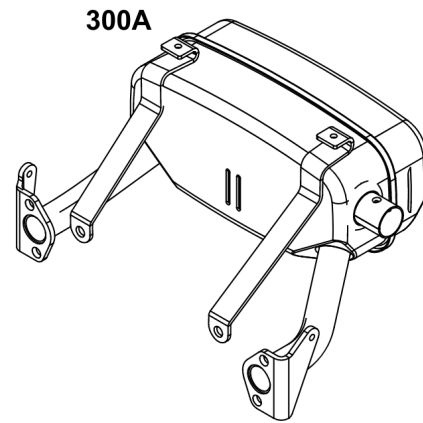
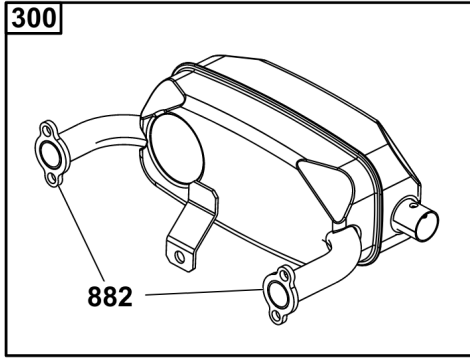
REF NO	PART NO	QTY	DESCRIPTION
9000	84004936		KIT, Maintenance -(Non-Oil Guard™ Engines) (20 - 23 HP)
9000A	84004937		KIT, Maintenance -(Non-Oil Guard™ Engines) (12.5 - 18 HP)
9000B	84002315		KIT, Maintenance -(Non-Oil Guard™ Engines)
240	845125	1	FILTER, Fuel
240A	84001895	1	FILTER, Fuel
337	491055S	2	PLUG, Spark
337	84007216	2	PLUG, SPARK -(China Only)
445	692519	1	FILTER, A/C Cartridge -"Professional / PXi" & "Commercial / CXi".
445A	394018S	1	FILTER, A/C Cartridge -"Professional / PXi" & "Commercial / CXi".
445B	841497	1	FILTER, A/C Cartridge -"Professional / PXi" & "Commercial / CXi".
967	692520	1	FILTER, Pre Cleaner
967A	272490S	1	FILTER, Pre Cleaner
1027	842921	1	FILTER, Oil -(Vanguard®)
1505	100169		OIL-1QT VANGUARD (CASE) -(1 qt. Bottle)



Not For
Reproduction

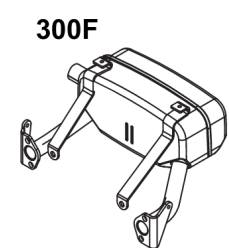
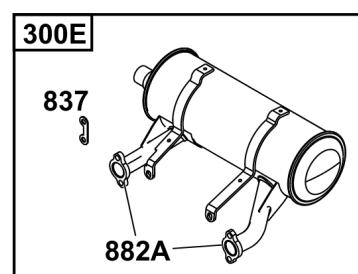
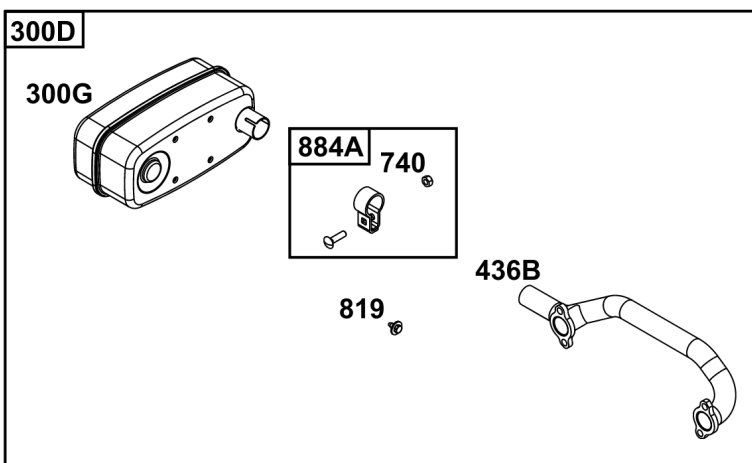
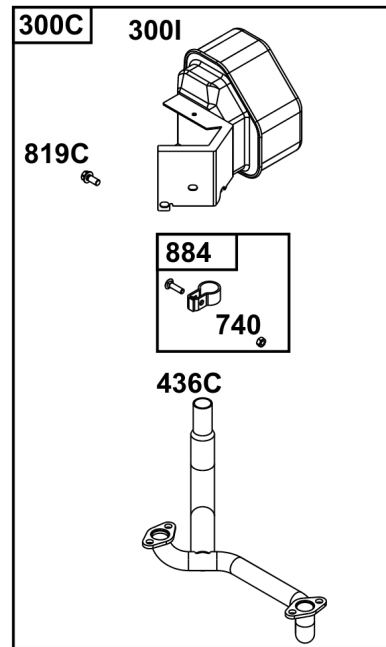
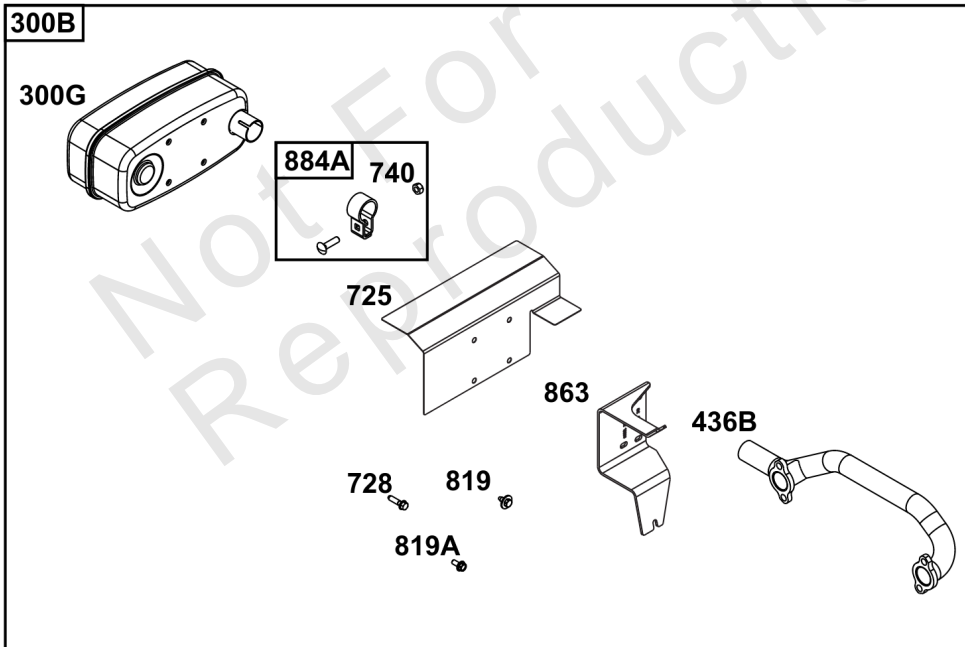
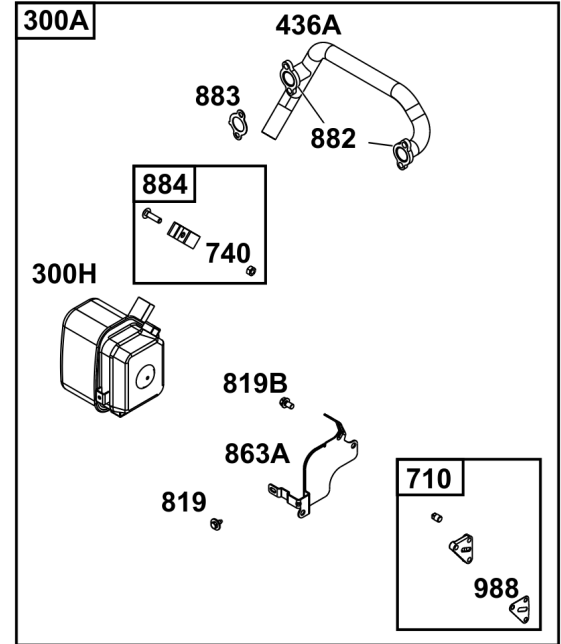
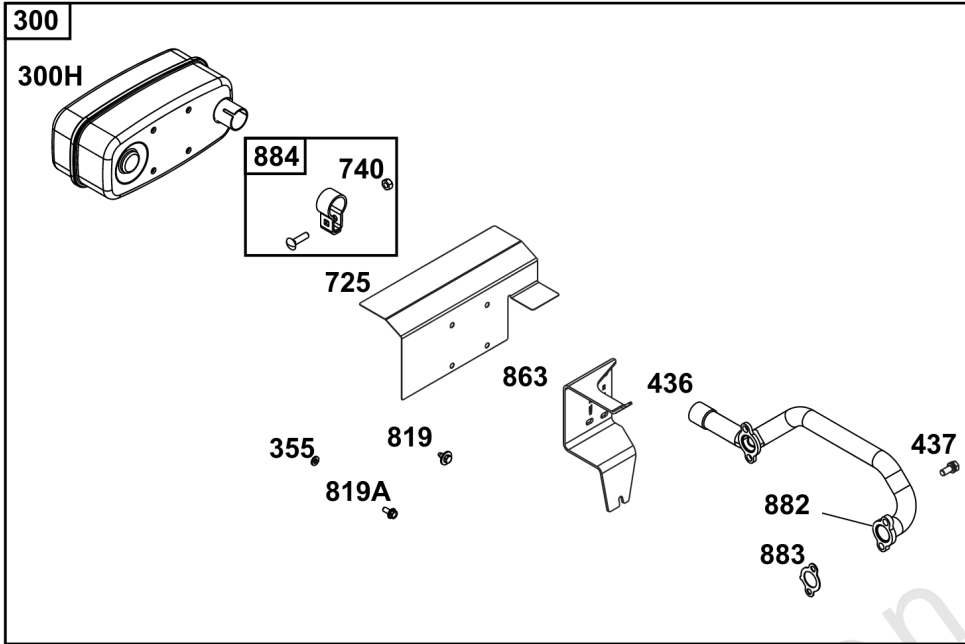
Lubrication

REF NO	PART NO	QTY	DESCRIPTION
186	796532	1	CONNECTOR, Hose -(Threaded Engine Block Connector for EZ-Oil Drain Hose)(Order hose separate)
239	690233	1	SWITCH, Oil Pressure -(2-4 PSI Normally-Closed Switch)
239A	491657S	1	SWITCH, Oil Pressure -(3-5 PSI Normally-Closed Switch)
239B	841281	1	SWITCH, Oil Pressure -(7-10 PSI Normally-Closed Switch)
239C	694115	1	SWITCH, Oil Pressure -(9-13 PSI Normally-Closed Switch)
239D	697049	1	SWITCH, Oil Pressure -(3-6 PSI Normally-Open Switch)
295	492061	1	ADAPTER, Remote Oil Filter -(Remote oil filter head with 18" (48 cm) hoses)
295	492062	1	ADAPTER, Remote Oil Filter -(Remote oil filter head with 30" (76 cm) hoses)
512	594200	1	HOSE, Oil Drain -(EZ-Oil Drain Hose, 10.5")(Order threaded engine block connector separate)
512	593635	1	HOSE, Oil Drain -(EZ-Oil Drain Hose, 13.75")(Order threaded engine block connector separate)
512B	1723165SM	1	HOSE, Oil Drain, 10-1/2" Long, 3/8-18 Fittings -(10.5")
512C	5048681SM	1	HOSE, OIL DRAIN -(12.5")
517	593633	1	RETAINER, Oil Drain
988	692063	1	GASKET, Oil Adapter
1027	492932S	1	FILTER, Oil
1028	492687	1	ADAPTER, Oil Filter -(Adapter Kit for mounting remote oil filter)
1028A	495244	1	ADAPTER-OIL FILTER -(Remote oil filter mounting head with fittings)
1346	844802	1	VALVE, Oil Drain Shut Off
1346A	492031	1	VALVE, Oil Drain Shut Off
1346B	5401WEB	1	VALVE, Oil Drain Shut Off -(1/4 Turn Oil Drain Valve with Hose)
1505	100169		OIL-1QT VANGUARD (CASE) -(1 qt. Bottle)
1505A	100170		OIL-5QT VANGUARD (CASE) -(5 qt. Bottle)
1600	494724	2	HOSE, Remote Oil Filter -(Hoses only (2) 18" (48 cm))
1600	494725	2	HOSE, Remote Oil Filter -(Hoses only (2) 30" (76 cm))



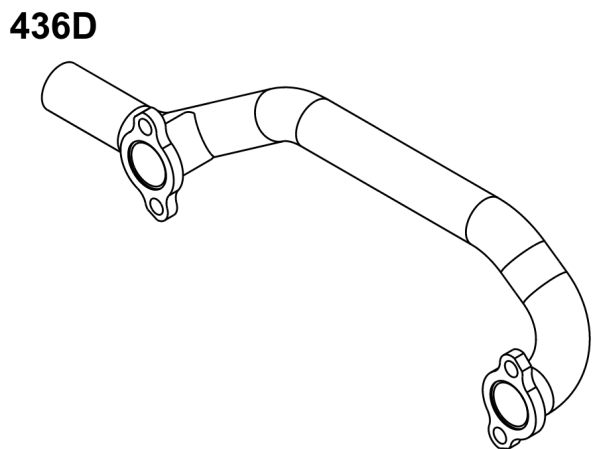
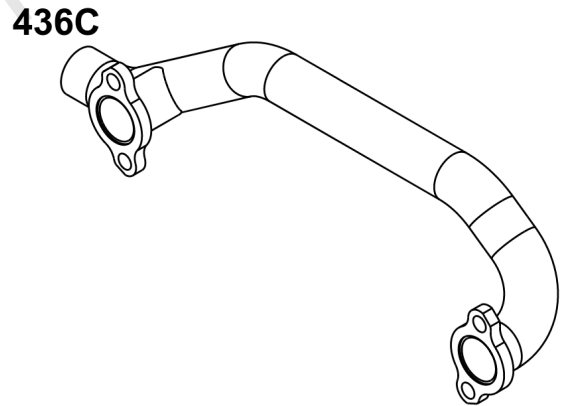
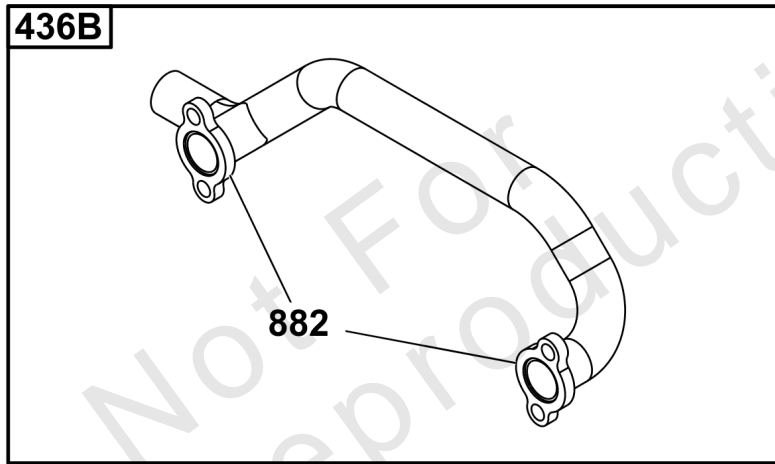
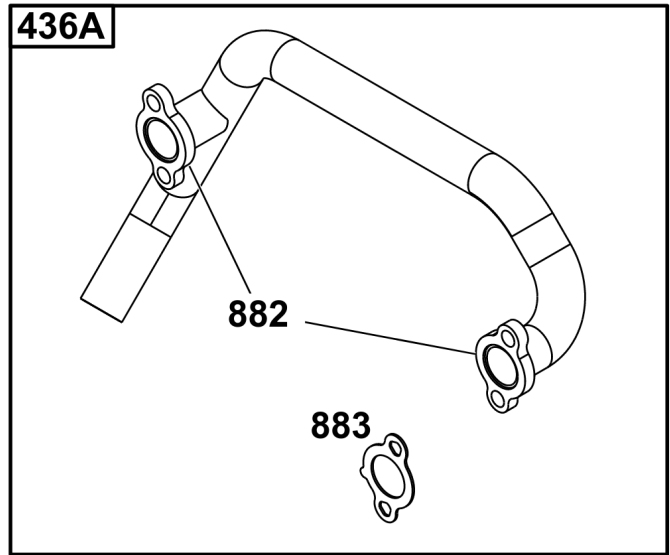
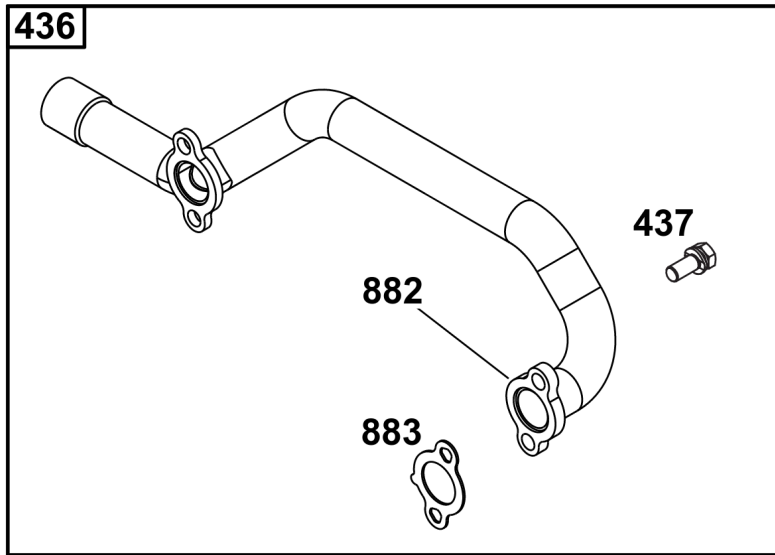
Starter Motor Side Outlet Mufflers

REF NO	PART NO	QTY	DESCRIPTION
300	690931	1	MUFFLER -(Super Lo-Tone) (Horizontal: 3054, 3564)
300A	690906	1	MUFFLER -(Super Lo-Tone) (Horizontal: 3054, 3564)
300B	808705	1	MUFFLER -(5" Round) (Horizontal: 3854, 3864)
300C	845873	1	MUFFLER -(5" Round, Stainless Steel) (Horizontal: 3854, 3864)
300D	995005	1	MUFFLER ASSY -(Lo-Tone) (Horizontal: 3054, 3564)
300E	692099	1	MUFFLER -(Lo Mount)
436	691499	1	MANIFOLD, Exhaust -(Cylinder 1) (Side Outlet)
740	793859	1	NUT
819	692056	2	SCREW -(Muffler Bracket) (M8x1.25)
819A	691514	2	SCREW -(Muffler Bracket) (M6 X 1.0)
837	808085	2	SPACER, Muffler -(Includes 2)
863	690756	1	BRACKET, Muffler -(Cylinder 1) (Side Outlet)
882	692074	2	FLANGE, Exhaust
882A	806965	2	FLANGE, Exhaust
883	806425	2	GASKET, Exhaust
884	690898	1	CLAMP, Muffler



Oil Filter Side Outlet Mufflers

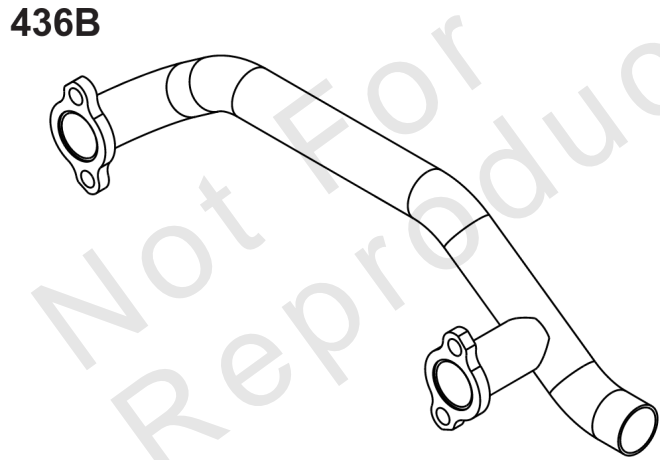
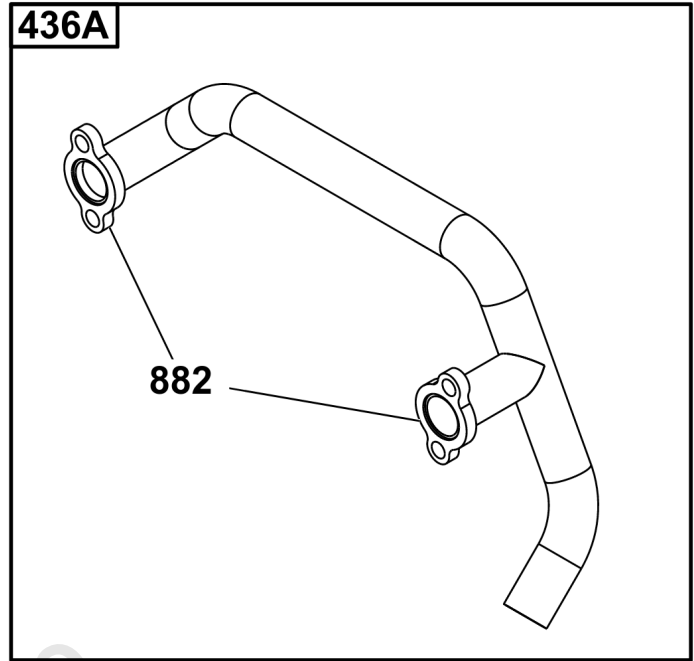
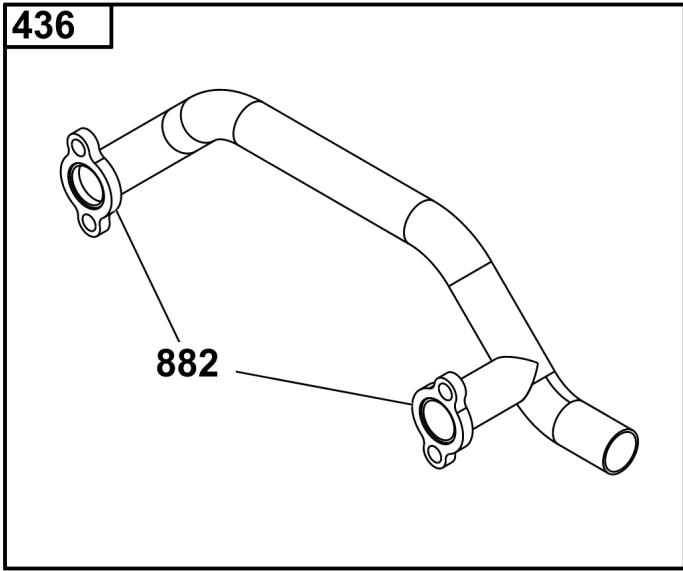
REF NO	PART NO	QTY	DESCRIPTION
300	995002	1	HIGH MNT SPR LO-TONE OIL FLTR SIDE -(Super Lo-Tone) (Horizontal: 3054, 3564) (Vertical: 3567)
300A	995000	1	OIL FILTER SIDE LO-MT -(Lo-Tone) (Horizontal: 3054, 3564) (Requires 808033 Oil Filter Adaptor)
300B	995004	1	HI MNT SPR LO-TONE OIL FLT SIDE -(Super Lo-Tone) (Horizontal: 3854, 3864) (Vertical: 3867)
300C	995009	1	COMMERCIAL MOWERS KIT -(For Wide Area Walker) (Vertical: 3567)
300D	995010	1	COMMERCIAL MOWERS KIT -(Vertical: 3867)
300E	808896	1	MUFFLER
300F	691562	1	MUFFLER -(Super Lo-Tone) (Horizontal: 3054, 3564)
300G	498984S	1	MUFFLER -(Super Lo Tone)
300H	692099	1	MUFFLER -(Lo Mount)
300I	807953	1	MUFFLER
355	842122	2	WASHER -(Muffler Bracket)
436	805609	1	MANIFOLD, Exhaust -(Cylinder 2) (Side Outlet)
436A	692061	1	MANIFOLD, Exhaust -(Cylinder 2) (Side Outlet)
436B	808916	1	MANIFOLD, Exhaust -(Cylinder 2) (Side Outlet)
436C	805778	1	MANIFOLD, Exhaust -(Wide Area Walker)
437	691902	4	SCREW -(Exhaust Manifold)
710	807689	1	COVER, Oil Filter
725	806102	1	SHIELD, Heat
728	690297	2	SCREW
740	793859	1	NUT
819	691514	2	SCREW -(Muffler Bracket) (M6 X 1.0)
819A	807084	2	SCREW -(Muffler Bracket)
819B	692056	2	SCREW -(Muffler Bracket) (M8x1.25)
819C	692062	2	SCREW -(Muffler Bracket)
837	808085	2	SPACER, Muffler -(Includes 2)
863	806759	1	BRACKET, Muffler
863A	691513	1	BRACKET, Muffler
882	692074	2	FLANGE, Exhaust -(3054 & 3564)
882A	806965	2	FLANGE, Exhaust
883	691613	2	GASKET, Exhaust
884	690898	1	CLAMP, Muffler
884A	691956	1	CLAMP, Muffler
988	690687	1	GASKET, Oil Adapter



Oil Filter Side Outlet Manifolds

REF NO	PART NO	QTY	DESCRIPTION
436	805609	1	MANIFOLD, Exhaust -(Vertical: 3567)
436A	692061	1	MANIFOLD, Exhaust -(Horizontal: 3054, 3564)
436B	691501	1	MANIFOLD, Exhaust -(Horizontal: 3054, 3564)
436C	808908	1	MANIFOLD, Exhaust -(Horizontal: 3854, 3864)
436D	808916	1	MANIFOLD, Exhaust -(Horizontal: 3854, 3864) (Vertical: 3867)
437	691902	4	SCREW -(Exhaust Manifold)
882	692074	2	FLANGE, Exhaust
883	691613	2	GASKET, Exhaust

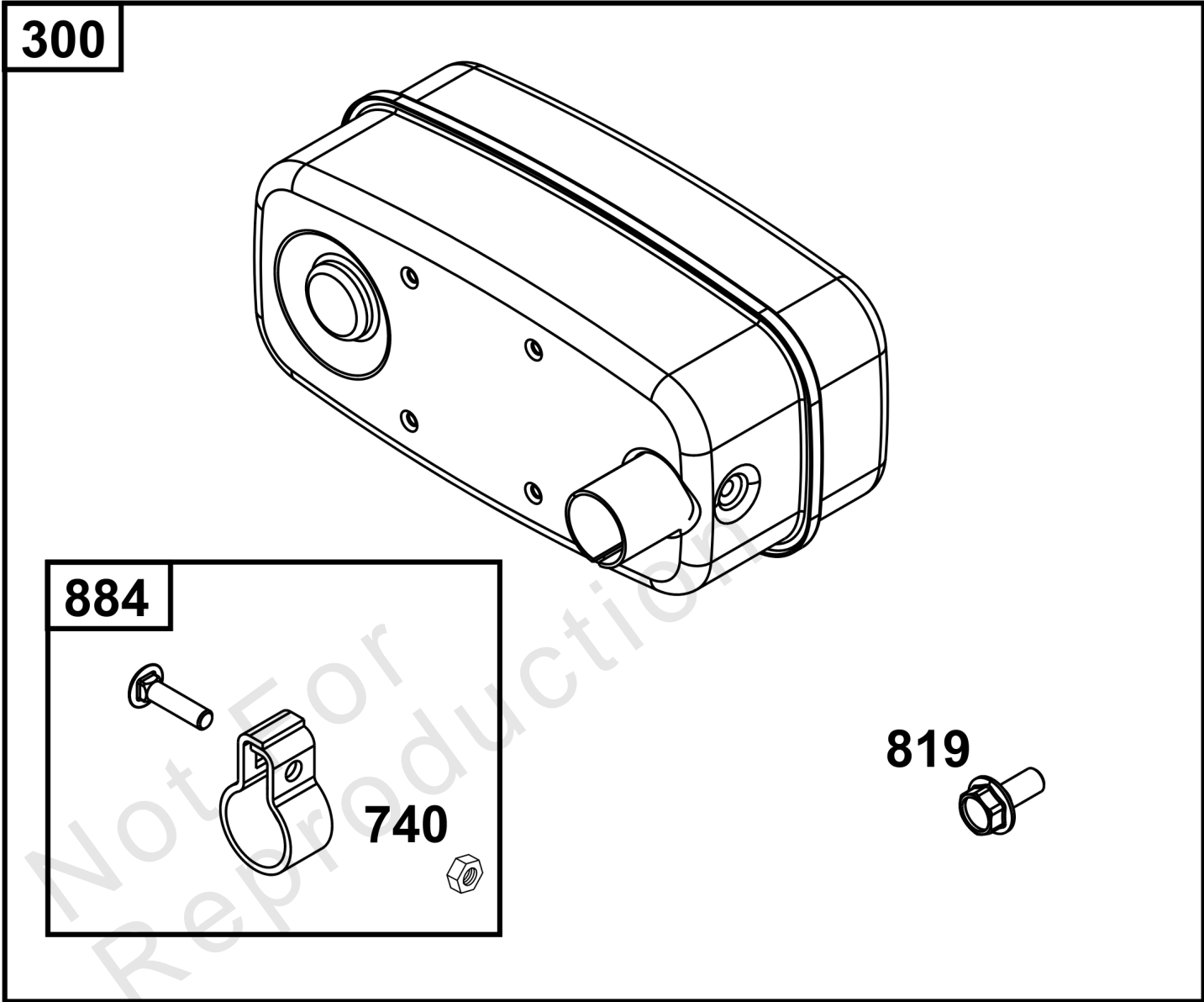
Not For Reproduction



Starter Motor Side Outlet Manifolds

REF NO	PART NO	QTY	DESCRIPTION
436	691502	1	MANIFOLD, Exhaust -(Horizontal: 3054, 3564)
436A	691499	1	MANIFOLD, Exhaust -(Horizontal: 3054, 3564)
436B	808909	1	MANIFOLD, Exhaust -(Horizontal: 3854, 3864) (Vertical: 3867)
882	692074	2	FLANGE, Exhaust

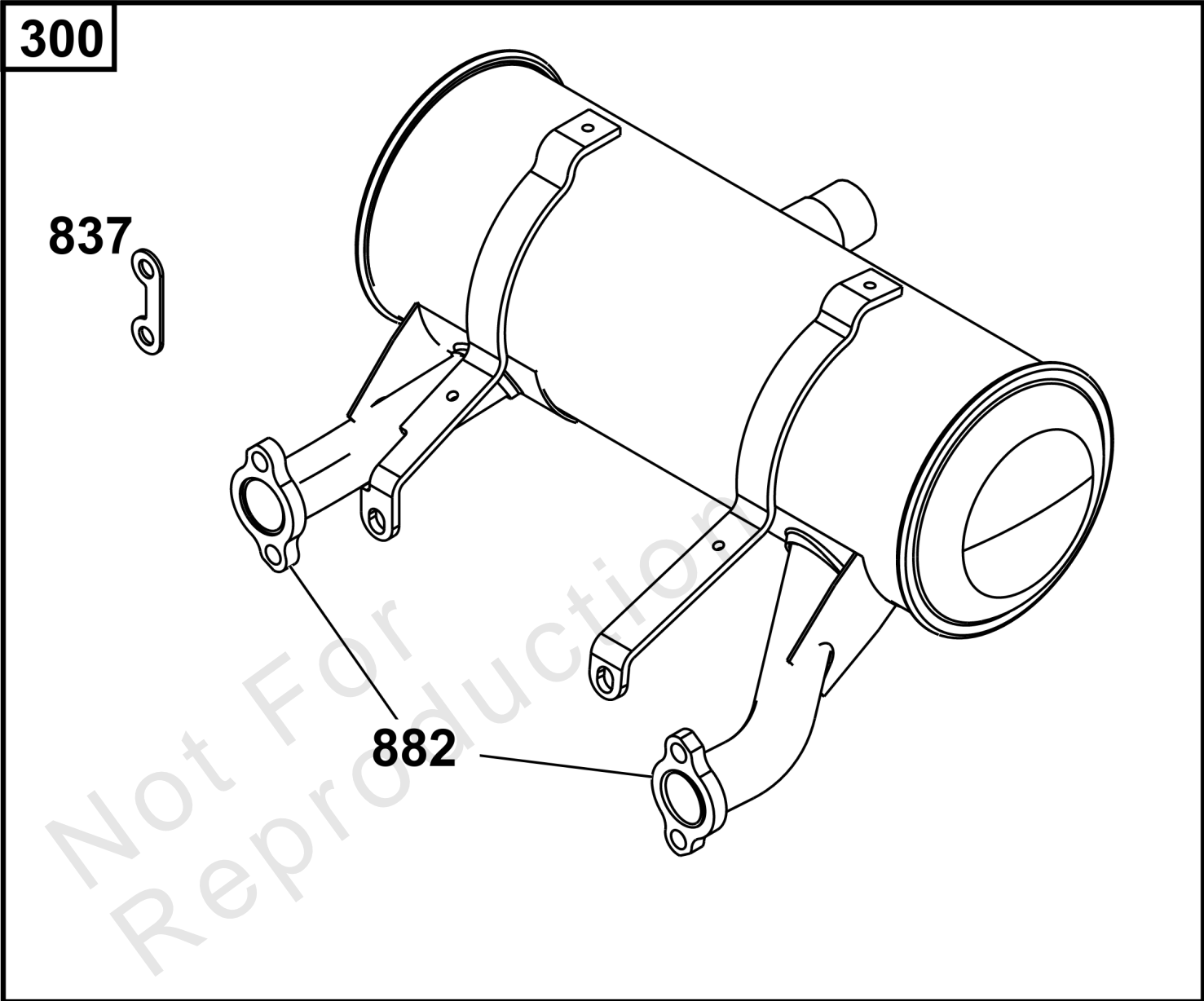
Not For Reproduction



Mufflers

REF NO	PART NO	QTY	DESCRIPTION
300	995018	1	MUFFLER -(Inlet I.D. 1.14" (28.9mm))
740	793859	1	NUT
819	807084	4	SCREW
884	691956	1	CLAMP, Muffler

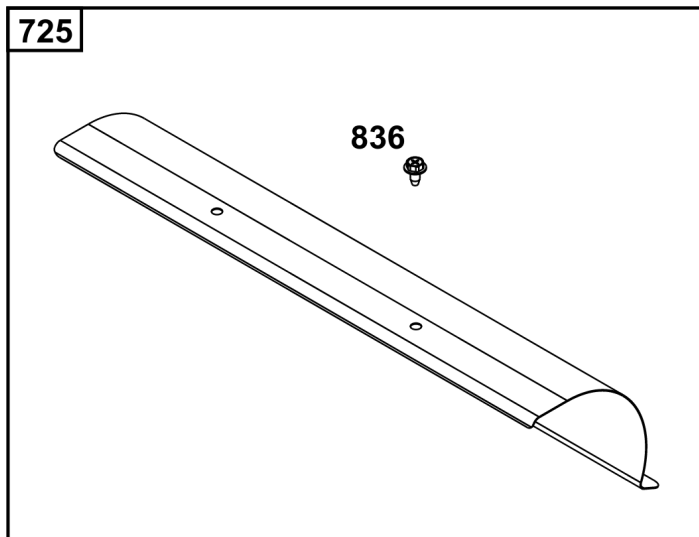
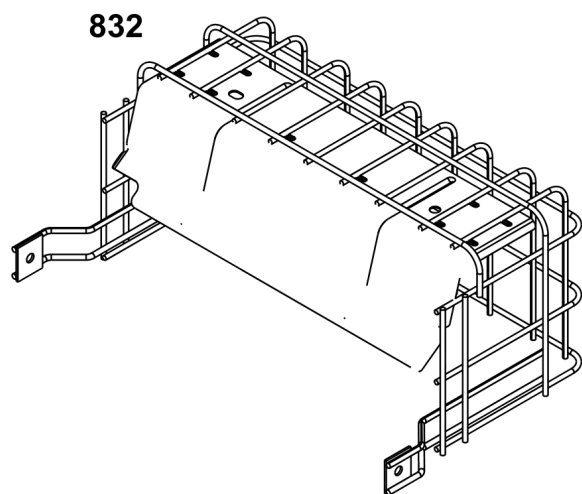
Not For Reproduction



Center Outlet Mufflers

REF NO	PART NO	QTY	DESCRIPTION
300	808911	1	MUFFLER -(5" Round) (Horizontal: 3854, 3864)
837	808085	2	SPACER, Muffler
882	806965	2	FLANGE, Exhaust

Not For Reproduction

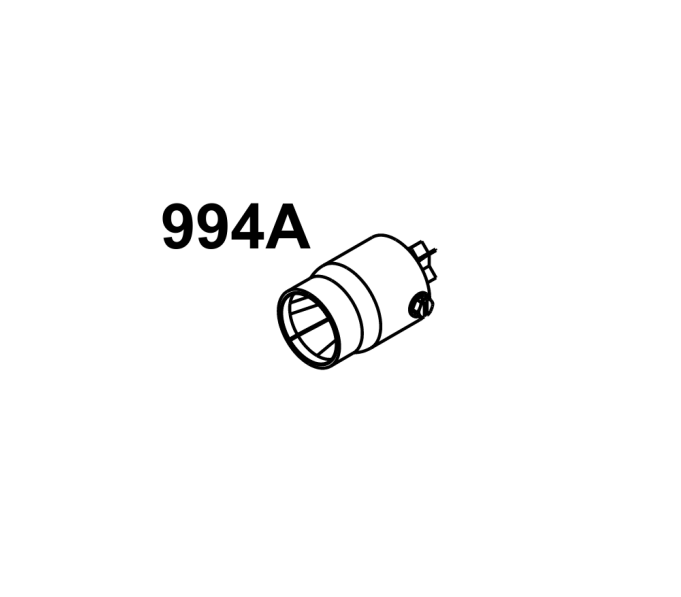
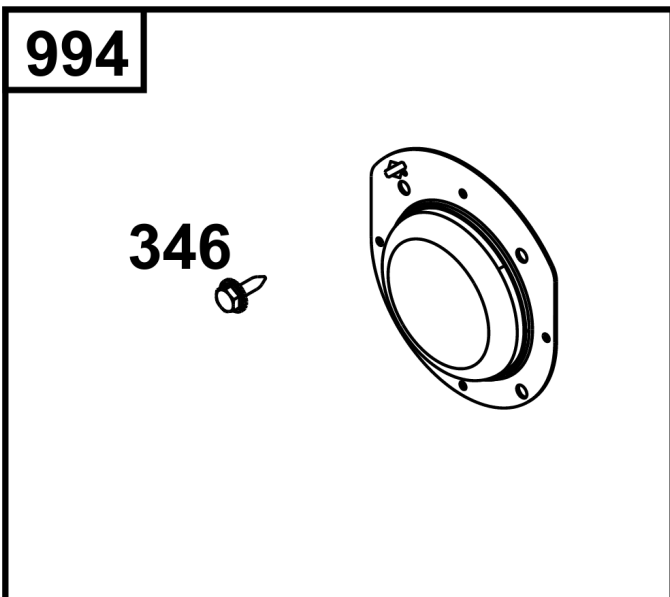
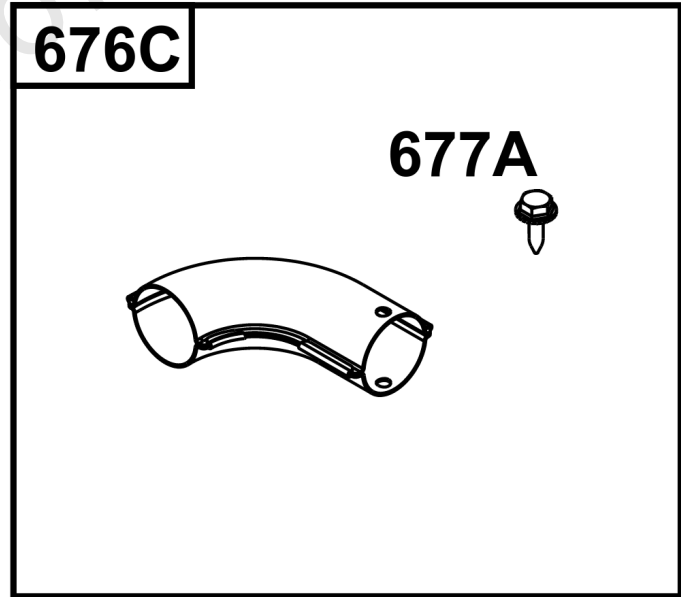
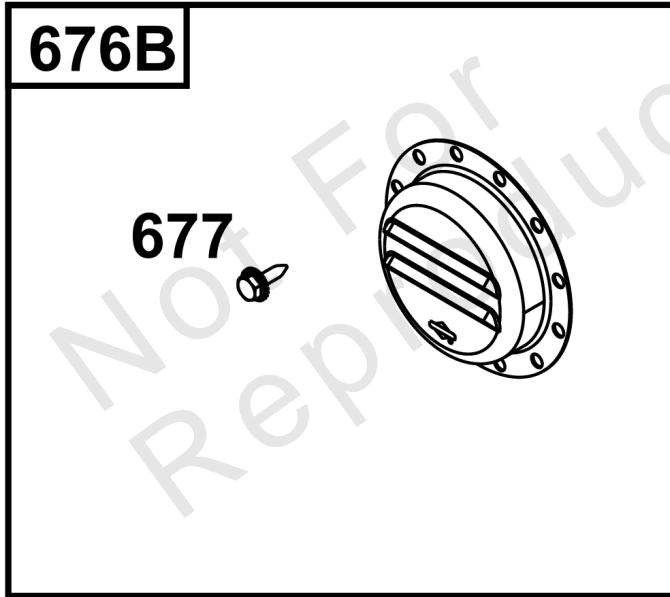
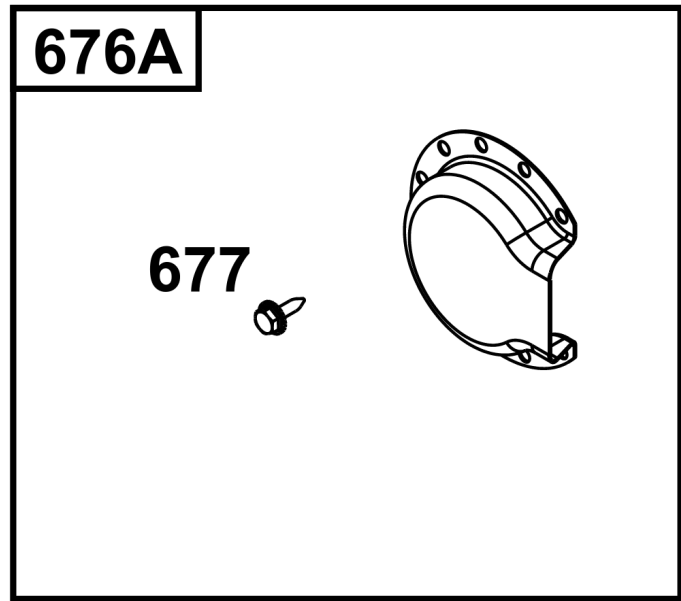
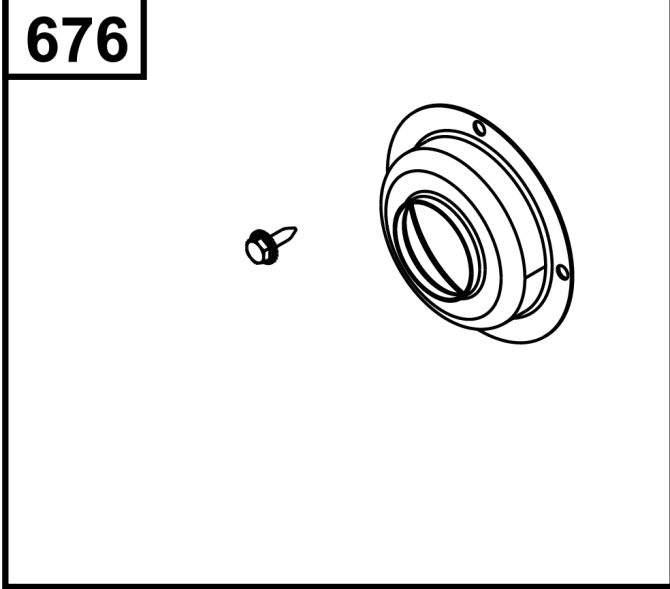


Not For
Reproduction

Muffler Guards and Shields

REF NO	PART NO	QTY	DESCRIPTION
725	846568	1	SHIELD, Heat -(For 5" Round Mufflers) (Horizontal: 3854, 3864)
832	691571	1	GUARD, Muffler -(Assembly for 690906 & 691562) (Horizontal: 3054, 3564)
836	692067	4	SCREW

Not For Reproduction



Spark Arrestors and Deflectors

REF NO	PART NO	QTY	DESCRIPTION
346	794845	4	SCREW -(Spark Arrestor)
676	396903	1	DEFLECTOR, Muffler -(Direct Outlet) (Face Mounting with 4 Screws)
676A	795036	1	DEFLECTOR, Muffler -(Deflector 90 Degree) (Face Mounting with 4 Screws)
676B	795038	1	DEFLECTOR, Muffler -(Deflector Louvered) (Face Mounting with 4 Screws)
676C	495518	1	DEFLECTOR, Muffler -(Elbow for Muffler Assembly) (For Exit Pipe O.D. of 1.10" (28mm))
677	794845	4	SCREW -(Muffler Deflector)
677A	810079	1	SCREW -(Muffler Deflector)
994	794945	1	ARRESTOR, Spark -(Spark Arrestor) (Face Mounting with 4 Screws)
994A	594562	1	ARRESTOR-SPARK -(Spark Arrestor) (For Exit Pipe O.D. of 1.10" (28mm))

Not For Reproduction

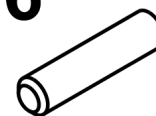
613



1177



296



883



883A



882



882A

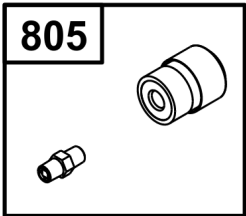
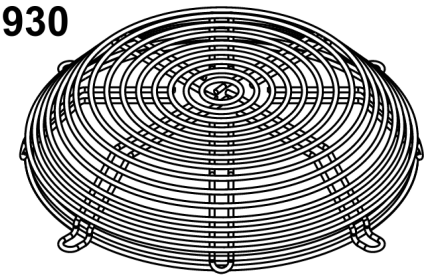
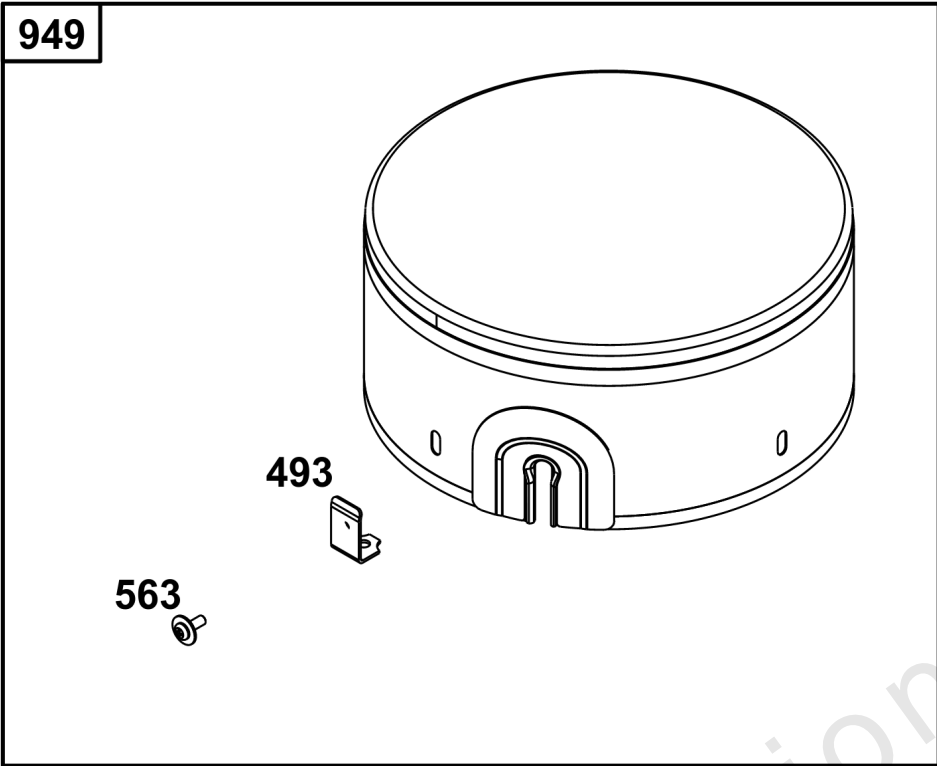


Not for
Reproduction

Muffler Mounting Hardware

REF NO	PART NO	QTY	DESCRIPTION
296	841185	4	STUD -(Mounting Mufflers)
613	691902	4	SCREW -(Mounting Mufflers)
882	692074	2	FLANGE, Exhaust -(3054 & 3564)
882A	806965	2	FLANGE, Exhaust -(3854 & 3864)
883	806425	2	GASKET, Exhaust -(Horizontal: 3854, 3864) (Vertical: 3567)
883A	691613	2	GASKET, Exhaust -(Horizontal: 3054, 3564) (Vertical: 3567)
1177	842067	4	NUT -(Required if Using 841185)

Not For Reproduction

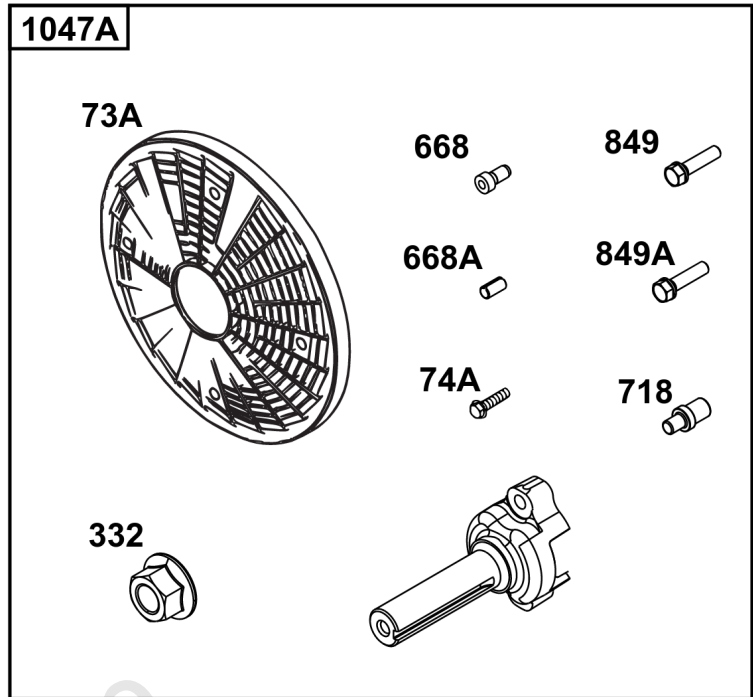
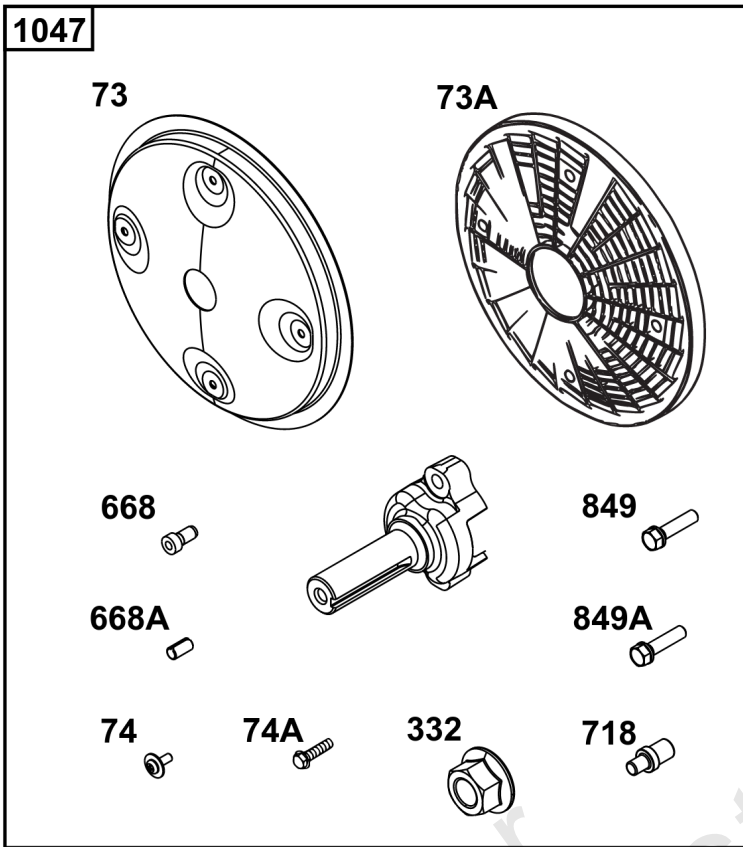


Not For
Reproduction

Flywheel and Air Intake Guards

REF NO	PART NO	QTY	DESCRIPTION
493	845729	4	BRACKET, Mounting
563	841441	4	SCREW
805	843024	1	MINDER, Filter -(For Engines with Cyclonic Air Filter)
930	846284	1	GUARD, Flywheel Fan
949	845728	1	GUARD, Debris Screen -(Vertical: 3867)

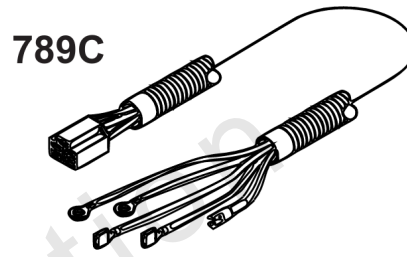
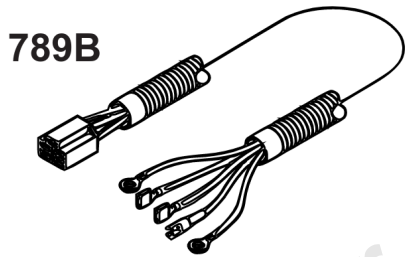
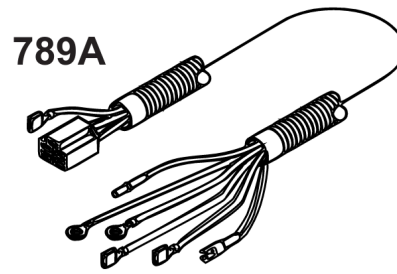
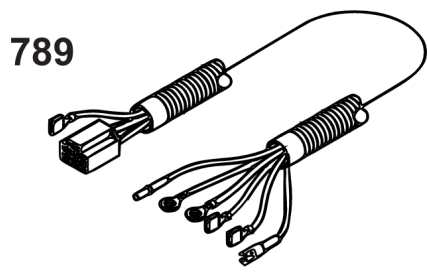
Not For Reproduction



Not For
Reproduction

PTO

REF NO	PART NO	QTY	DESCRIPTION
73	841582	1	SCREEN, Rotating
73A	494439	1	SCREEN, Rotating
74	841441	4	SCREW -(Rotating Screen)
74A	691647	4	SCREW -(Rotating Screen)
332	690887	1	NUT -(Flywheel)
668	691500	4	SPACER -(Rotating Screen)
668A	691215	4	SPACER -(Rotating Screen)
718	841581	1	PIN, Locating -(32MM)
849	691088	2	SCREW -(Stub Shaft)
849A	846236	2	SCREW -(Stub Shaft)
1047	841580	1	SHAFT, Stub -(1" Diameter) (4.75" Length)
1047A	842655	1	SHAFT, Stub -(1" Diameter) (5.43" Length)



578

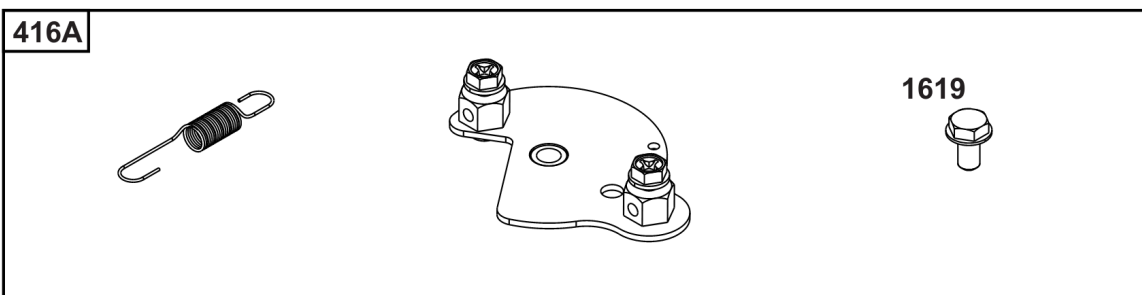
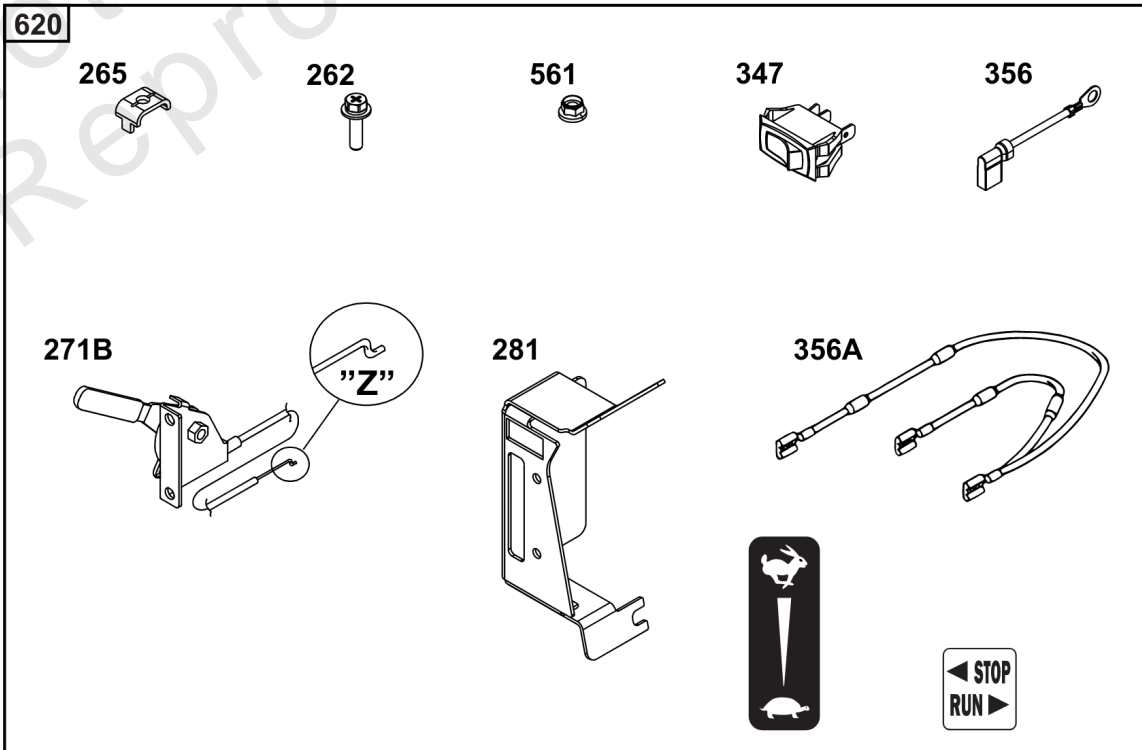
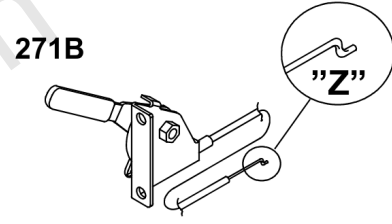
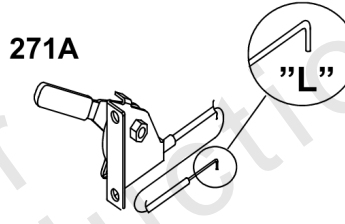
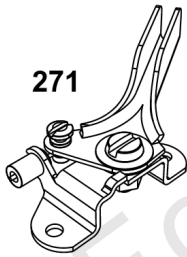
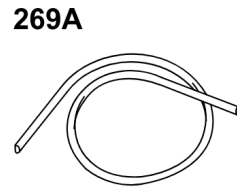
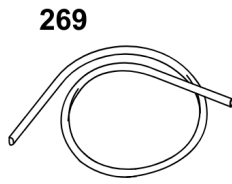
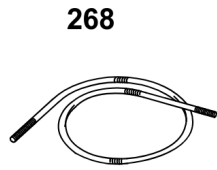
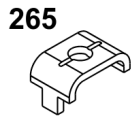
A wiring harness consisting of ten individual wires of different colors: orange, light orange, black, purple, blue, green, yellow, red, yellow, and black. Each wire has a specific connector at the end. A diagram shows a cross-section of a connector housing with an arrow pointing to the connector on the red wire.

LOOSE CONNECTOR:
TE # 1-480704-0
MATE-N-LOK 6 POSITION HOUSING

Electrical

REF NO	PART NO	QTY	DESCRIPTION
415	1714480SM	1	PLUG -(Plug for Ignition Switch Removal)
578	84007350	1	WIRE ASSEMBLY -(Aids in Repowering Engine Application with 6-Pin Connector and Wires with Terminals to Create Custom Adapter Configurations)
789	691996	1	HARNESS, Wiring -(For 16 Amp Alternators)
789A	841318	1	HARNESS, Wiring -(For 16 Amp Alternators with Solenoid Shift Starter)
789B	847601	1	HARNESS, Wiring -(For 20 Amp Alternators)
789C	847602	1	HARNESS, Wiring -(For 20 Amp Alternators with Solenoid Shift Starter)

Not For Reproduction



Speed Control

REF NO	PART NO	QTY	DESCRIPTION
262	841552	1	SCREW
265	691024	1	CLAMP, Casing -(Casing Clamp for Hard Casing)
265A	690798	1	CLAMP, Casing -(Casing Clamp for Soft Casing)
267	792629	1	SCREW -(Screw for Casing Clamp)
268	691025	1	CASING, Control Wire -(Wire Casing 72")
269	26634	1	WIRE, Control -(Control Wire 78")
269A	93907	1	WIRE, Control -(Control Wire 100")
270	691027	1	NUT -(Nut for Wire Casing)
271	691028	1	LEVER, Control -(Speed Control Lever Assembly)
271A	692105	1	LEVER, Control -(Speed Control Lever Assembly) ('L' Shaped End)
271B	692541	1	LEVER, Control -(Speed Control Lever Assembly) ('Z' Shaped End)
281	690742	1	PANEL, Control
347	691995	1	SWITCH-ROCKER
356	690796	1	WIRE, Stop
356A	691999	1	WIRE ASSEMBLY
416	595196	1	BRACKET, Throttle Cable -(Casing Clamp for Snap-In Casing)
416A	84006945	1	BRACKET, Throttle Cable
561	806447	1	NUT
620	494052	1	BRACKET, Control -(Throttle Control for Vanguard V-Twin Horizontal Small Block)
1619	691693	1	SCREW

WANGUARD[®]

COMMERCIAL POWER



BRIGGS & STRATTON[®]