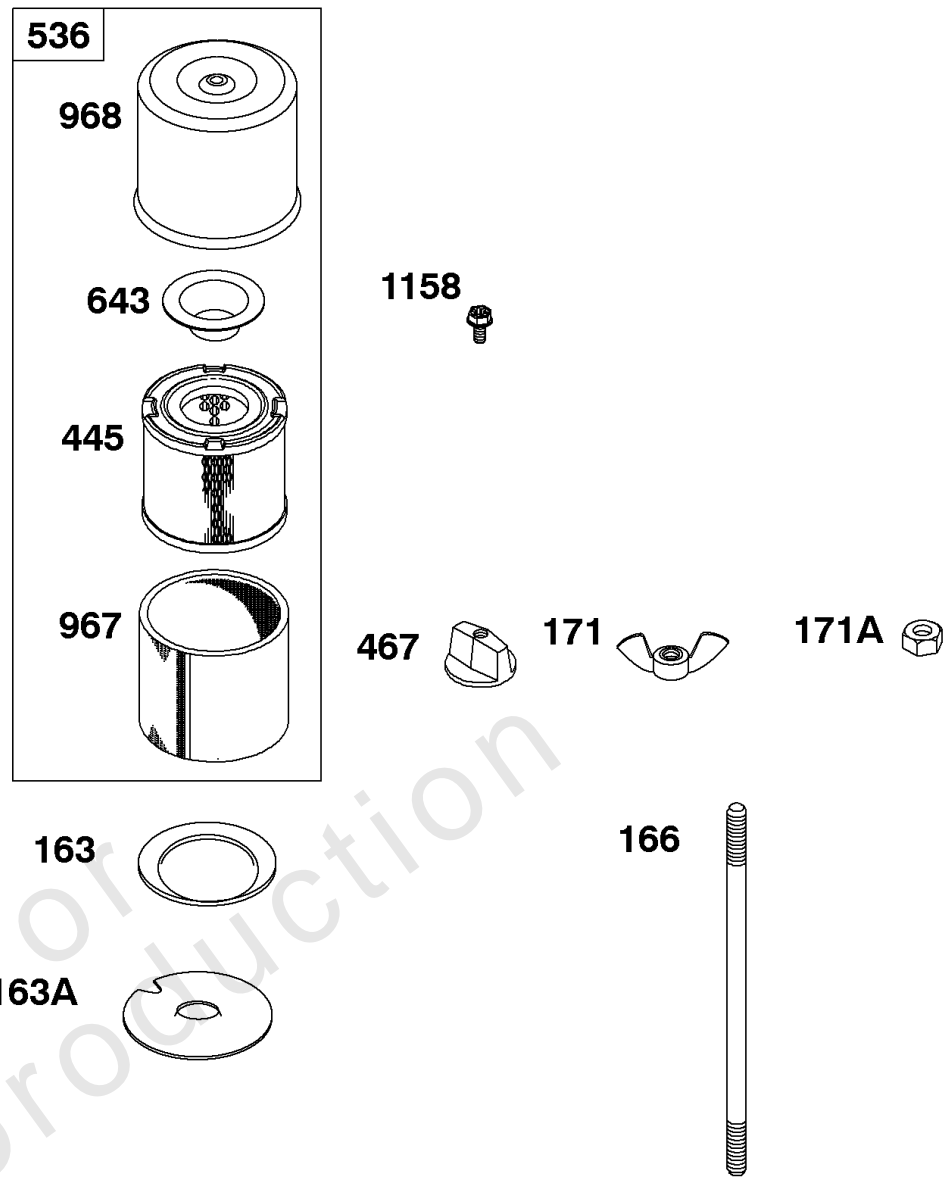




Parts Manual

Mfg. No: 326431-0127-99

| Model Components | Page |
|--|-------------|
| Air Cleaner..... | 4 |
| Alternators..... | 6 |
| Armatures, Wires..... | 8 |
| Back Plates..... | 10 |
| Bearing Supports, Gaskets..... | 12 |
| Blower Housings..... | 14 |
| Booster Fans, Rotating Screens..... | 16 |
| Carburetor..... | 18 |
| Carburetor, Choke Shaft..... | 20 |
| Counterweight Cover, Oil Fill..... | 22 |
| Crankshaft..... | 24 |
| Cylinder, Head, Spark Plug..... | 26 |
| Electric Starter 1..... | 28 |
| Electric Starter 2..... | 30 |
| Engine Base..... | 32 |
| Engine/Valve/Carburetor Gasket Sets..... | 34 |
| Flywheels..... | 38 |
| Fuel Pump, Fuel Filter..... | 40 |
| Fuel Tank..... | 42 |
| Muffler, Shields..... | 44 |
| Panel Kit, Gages, Wires..... | 46 |
| Panel Kit, Regulator, Key Switch..... | 48 |
| Piston, Rings, Connecting Rod, Camshaft, Valves..... | 50 |
| Regulator, Vee Belt..... | 54 |
| Replacement Engine - US & Canada..... | 56 |
| Rewind Starter, Rope..... | 57 |
| Springs, Controls..... | 59 |
| Starter Clutch..... | 61 |




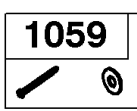
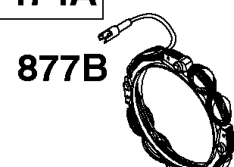
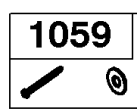

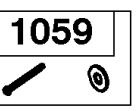
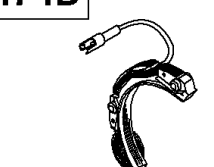
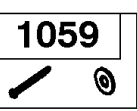
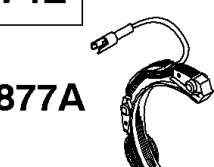
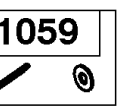

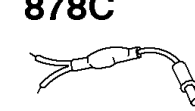

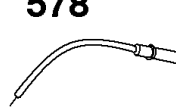
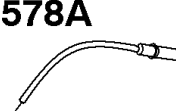
| REF. NO. | PART NO. | DESCRIPTION | REF. NO. | PART NO. | DESCRIPTION | REF. NO. | PART NO. | DESCRIPTION |
|----------|----------|--|----------|----------|---------------------------------|----------|----------|--|
| 163 | 67247 | Gasket-Air Cleaner Used on Type No(s). 0308. | 171 | 691331 | Nut (Air Cleaner) | 643 | 691730 | Retainer-Air Filter |
| 163A | 270987 | Gasket-Air Cleaner | 171A | 690284 | Nut (Air Cleaner) | 967 | 271794S | Filter-Pre Cleaner |
| 166 | 691241 | Stud-Air Cleaner (9 1/2" Long) | 445 | 393957S | Filter-Air Cleaner Cartridge | 968 | 691755 | Cover-Air Cleaner |
| | | | 467 | 691668 | Knob-Air Cleaner | 1158 | 690293 | Screw (Carburetor) (Used to Plug Air Cleaner Stud Hole) |
| | | | 536 | 391063 | Cleaner-Air | | | Used on Type No(s). 0262, 0630. |

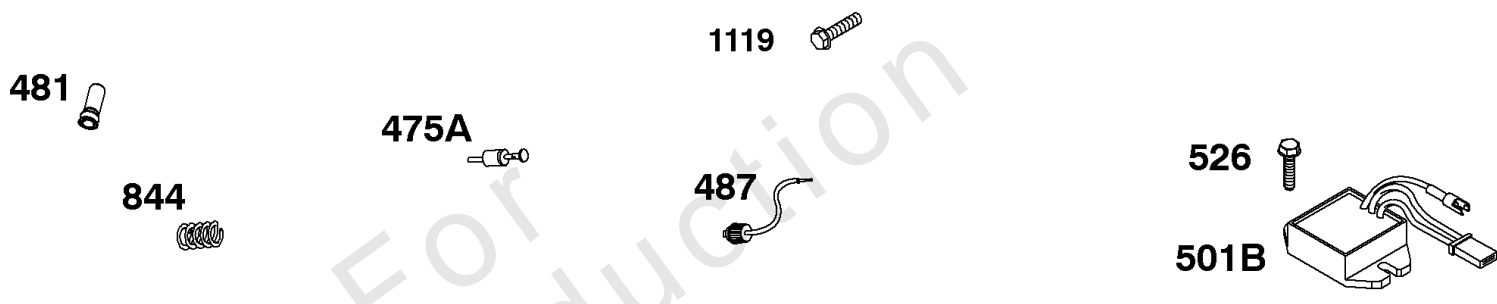
Air Cleaner

| REF NO | PART NO | QTY | DESCRIPTION |
|--------|---------|-----|---------------------------------------|
| 163A | 270987 | | GASKET, Air Cleaner -(Air Cleaner) |
| 166 | 691241 | | STUD -(Air Cleaner) (9 1/2) |
| 171 | 691331 | | NUT -(Air Cleaner) |
| 171A | 690284 | | NUT -(Air Cleaner) |
| 445 | 393957S | | FILTER, A/C Cartridge |
| 467 | 691668 | | KNOB, Air Cleaner Cover |
| 536 | 391063 | | CLEANER, Air |
| 643 | 691730 | | RETAINER, Air Filter |
| 967 | 271794S | | FILTER, Pre Cleaner |
| 968 | 691755 | | COVER, Air Cleaner |

Not For Reproduction

SEE REPAIR INSTRUCTION MANUAL FOR PROPER AMPERAGE OF ALTERNATOR

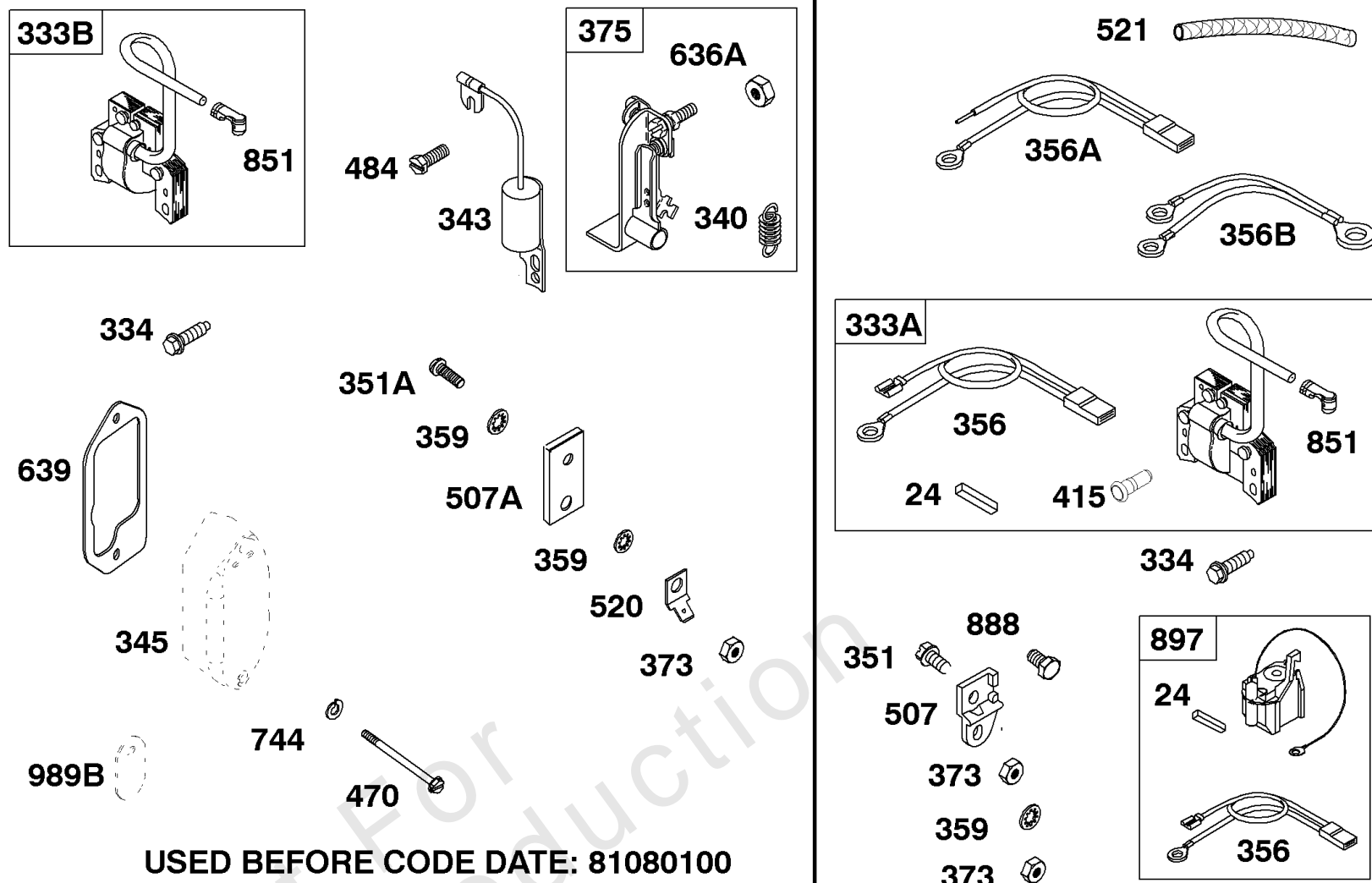
| DUAL CIRCUIT | REGULATED | 10 AMP | AC ONLY | DC ONLY |
|--|--|---|--|--|
| 474  877  | 474A  877B  | 474C  877C  | 474D  1059  | 474E  877A  |
| 878  | 878C  | 578A  | 578  | 578A  |



| REF. NO. | PART NO. | DESCRIPTION | REF. NO. | PART NO. | DESCRIPTION | REF. NO. | PART NO. | DESCRIPTION |
|----------|----------|----------------------------------|----------|----------|--|----------|----------|----------------------------------|
| 474 | 696459 | Alternator (Dual Circuit) | 501B | 691185 | Regulator (10 Amp) | 878 | 398661 | Harness-Alternator |
| 474A | 696457 | Alternator (Tri-Circuit) | 526 | 690297 | Screw (Regulator) | 878C | 691955 | Harness-Alternator (Tri-Circuit) |
| 474C | 696458 | Alternator (10 Amp) (Key Switch) | 578 | 390867 | Wire Assembly | 1059 | 698516 | Kit-Screw/Washer (Alternator) |
| 474D | 391595 | Alternator (AC Only) | 578A | 692306 | Wire Assembly | 1119 | 691183 | Screw (Alternator) |
| 474E | 696578 | Alternator (DC Only) | 844 | 261269 | Spring-Diode | | | |
| 475A | 391507 | Rectifier | 877 | 393456 | Wire/Connector-Alternator (Dual Circuit) | | | |
| 481 | 230976 | Bushing-Alternator | 877A | 393814 | Wire/Connector-Alternator (DC Only) | | | |
| 487 | 390888 | Cap-Wire/Fuse | 877B | 393537 | Wire/Connector-Alternator (Tri-Circuit) | | | |
| | | | 877C | 399916 | Wire/Connector-Alternator (10 AMP) | | | |

Alternators

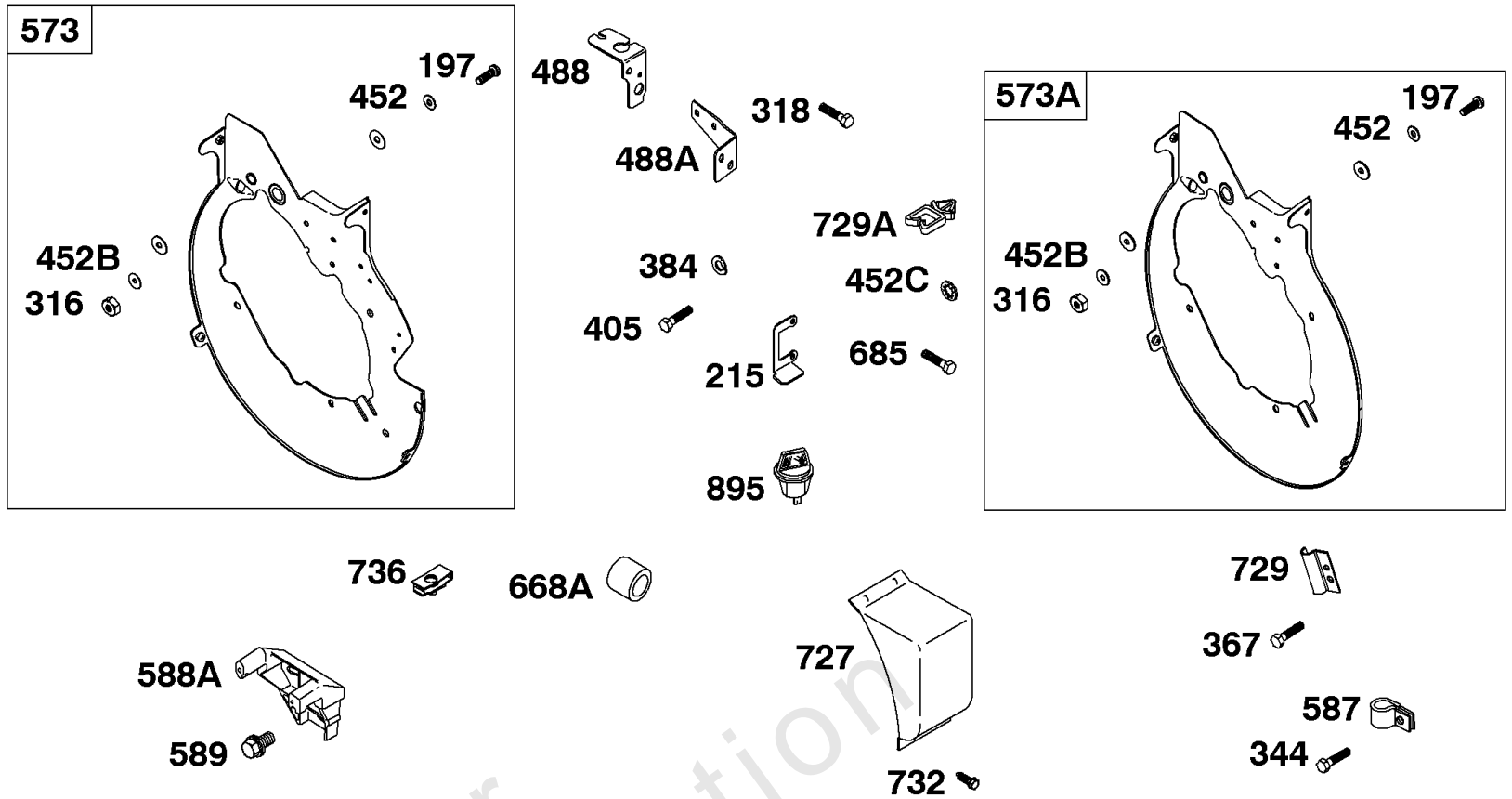
| REF NO | PART NO | QTY | DESCRIPTION |
|--------|---------|-----|---|
| 10 | 690294 | | SCREW -(Breather Assembly) |
| 474 | 696459 | | ALTERNATOR |
| 474A | 696457 | | ALTERNATOR -(Tri Circuit) |
| 474C | 696458 | | ALTERNATOR -(10, 13, 16 Amp)(Key Switch) |
| 474D | 391595 | | ALTERNATOR -(AC Only) |
| 474E | 696578 | | ALTERNATOR -(DC Only) |
| 475A | 391507 | | RECTIFIER |
| 481 | 230976 | | BUSHING, Alternator -(Loose) |
| 487 | 390888 | | CAP, Wire/Fuse |
| 501B | 691185 | | REGULATOR -(10 Amp Regulated) |
| 526 | 690297 | | SCREW -(Regulator) |
| 578 | 390867 | | HARNESS, Alternator -(Ac Only) |
| 578A | 692306 | | WIRE ASSEMBLY |
| 578A | 298582 | | WIRE ASSEMBLY -(2 Wires, 5-7/16, And 3-7/8)(Insulated Support Ring Terminal, Insulated Support Ring Terminal, And Flag Ring Terminal) |
| 844 | 261269 | | SPRING, Diode |
| 877 | 393456 | | WIRE/CONNECTOR, Alternator -(Dual Circuit) |
| 877A | 393814 | | WIRE/CONNECTOR, Alternator -(DC Only) |
| 877B | 393537 | | WIRE/CONNECTOR, Alternator -(Tri Circuit) |
| 877C | 399916 | | WIRE/CONN-ALTERNATOR -(10 Amp Regulated) |
| 878 | 398661 | | HARNESS, Wiring |
| 878C | 691955 | | HARNESS, Alternator |
| 1059 | 698516 | | KIT, Screw/Washer |
| 1119 | 691183 | | SCREW -(Alternator) |



| REF. NO. | PART NO. | DESCRIPTION | REF. NO. | PART NO. | DESCRIPTION | REF. NO. | PART NO. | DESCRIPTION |
|-------------|---------------|---|-------------|---------------|--|-------------|----------------|---|
| | 24 | 222698S Key-Flywheel | | 356 | 398808 Wire-Stop | | 507 | 690584 Insulator |
| 333A | 398811 | Armature-Magneto (Breaker Ignition) (Used After Code Date 81073100). | 356A | 690650 | Wire-Stop (Used With Magneto Armature, Reference 333A) | 507A | 66895 | Insulator ----- Note ----- 299598 Insulator Used on Type No(s). 0131. |
| 333B | 298968 | Armature-Magneto (Breaker Ignition) (Used Before Code Date 81080100). | 356B | 396585 | Wire-Stop Used on Type No(s). 0643, 0646, 0735. | 520 | 691084 | Terminal-Ground |
| | 334 | 691061 Screw (Magneto Armature) | | 359 | 691077 Washer (Ground Terminal) | 521 | 291508 | Shield-Cable |
| | 340 | 26018 Spring-Breaker Arm | | 373 | 691612 Nut (Ground Terminal) | 636A | 230783 | Nut (Starting Switch) |
| | 343 | 298060 Condenser | | 375 | 298185 Breaker-Ignition | 639 | 692913 | Gasket-Breaker Box |
| | 345 | Cover-Breaker (NO LONGER AVAILABLE) | | 415 | 692882 Plug | 744 | 690277 | Washer (Breaker Cover) |
| | 351 | 690292 Screw (Ground Terminal) | | 470 | 692836 Screw (Breaker Cover) | 851 | 493880S | Terminal-Spark Plug |
| 351A | 690295 | Screw (Ground Terminal) | | 484 | 690294 Screw (Condenser) | 888 | 690295 | Screw (Insulator) |
| | | | | | | 897 | 394970 | Kit-MAGNETRON® Ignition (Used After Code Date 81080100 and Before Code Date 85012200). |
| | | | | | | 989B | | Stop Switch-Spark Plug (NO LONGER AVAILABLE) |

Armatures, Wires

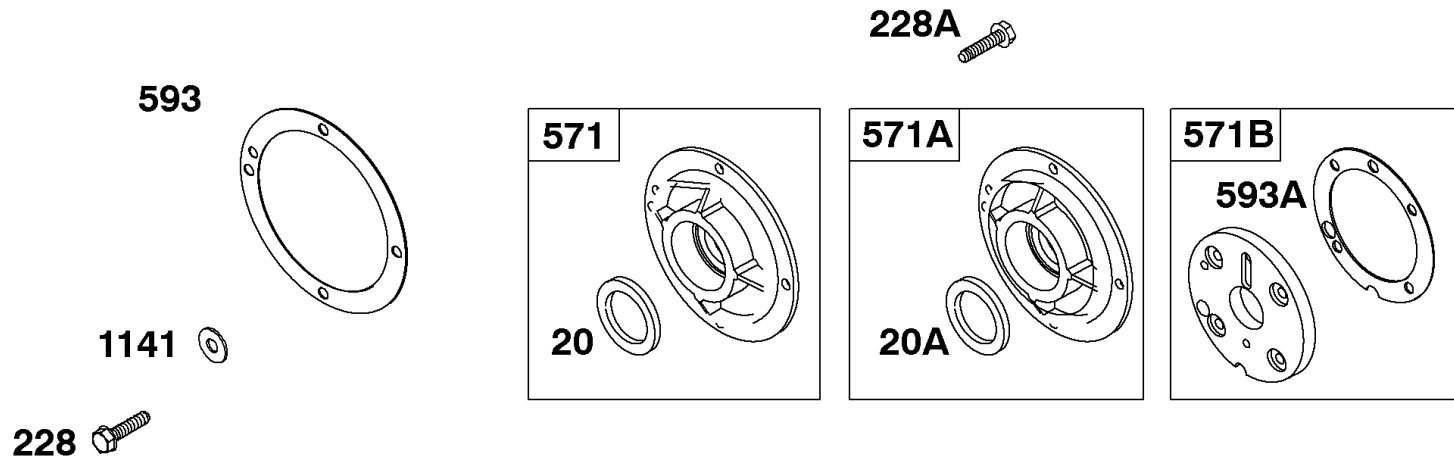
| REF NO | PART NO | QTY | DESCRIPTION |
|--------|---------|-----|--|
| 24 | 222698S | | KEY, Flywheel |
| 333A | 398811 | | ARMATURE, Magneto -(Breaker Ignition) -Used After Code Date 81073100 |
| 333B | 298968 | | ARMATURE, Magneto -(Breaker Ignition) -Used Before Code Date 81080100 |
| 334 | 691061 | | SCREW -(Magneto Armature) |
| 340 | 26018 | | SPRING, Breaker Arm |
| 343 | 298060 | | CONDENSER |
| 345 | ----- | | Cover-Breaker -(NO LONGER AVAILABLE) |
| 351 | 690292 | | SCREW -(Ground Terminal) |
| 351A | 690295 | | SCREW -(Ground Terminal) |
| 356 | 398808 | | WIRE, Stop -(Cut To Required Length) |
| 356A | 690650 | | WIRE, Stop -(Used With Armature Magneto, Reference 333A) |
| 359 | 691077 | | WASHER -(Ground Terminal) |
| 373 | 691612 | | NUT -(Ground Terminal) |
| 375 | 298185 | | BREAKER, Ignition |
| 415 | 692882 | | PLUG |
| 470 | 692836 | | SCREW -(Breaker Cover) |
| 484 | 690294 | | SCREW -(Condensor) |
| 507 | 690584 | | INSULATOR |
| 507A | 66895 | | INSULATOR |
| 520 | 691084 | | TERMINAL, Ground |
| 521 | 291508 | | SHIELD, Protective |
| 636A | 230783 | | NUT -(Starting Switch) |
| 639 | 692913 | | GASKET, Breaker Box |
| 744 | 690277 | | WASHER -(Breaker Cover) |
| 851 | 493880S | | TERMINAL-SPARK PLUG |
| 888 | 690295 | | SCREW -(Insulator) |
| 897 | 394970 | | KIT, Magnetron Ignition -Used After Code Date 81080100 -Used Before Code Date 85012200 |
| 989B | ----- | | Stop Switch-Spark Plug -(NO LONGER AVAILABLE) |



| REF. NO. | PART NO. | DESCRIPTION | REF. NO. | PART NO. | DESCRIPTION | REF. NO. | PART NO. | DESCRIPTION |
|----------|----------|-----------------------------|----------|----------|---|----------|----------|--|
| 197 | 90072 | Screw (Back Plate) | 452 | 92864 | Washer (Back Plate) | 668A | 231065 | Spacer Used on Type No(s). 0164, 0240. |
| 215 | 222445 | Guide-Air | 452B | 26404 | Washer (Back Plate) | 685 | 690661 | Screw (Rectifier) |
| 316 | 691612 | Nut (Back Plate) | 452C | 691077 | Washer (Back Plate) | 727 | 692338 | Cover-Starter Drive |
| 318 | 691666 | Screw (Mounting Bracket) | 488 | 222211 | Bracket-Fuse | 729 | 690432 | Clip-Wire (Alternator) |
| 344 | 690305 | Screw (Cable Clamp) | 488A | 222345 | Bracket-Fuse | 729A | 690588 | Clip-Wire |
| 367 | 690305 | Screw (Wire Clip) | 573 | 391220 | Plate-Back (Used on Engines With Electric Start Only) | 732 | 93410 | Screw (Starter Drive Cover) |
| 384 | 690371 | Washer (Back Plate) | 573A | 299450 | Plate-Back | 736 | 690302 | Nut-Clip |
| 405 | 690290 | Screw (Back Plate) | 587 | 690389 | Clamp-Cable | 895 | 692309 | Switch-Rotary |
| | | | 588A | 690375 | Bracket-Armature (Used on Engines With Electric Starter) | | | |
| | | | 589 | 690300 | Screw (Armature Bracket) | | | |

Back Plates

| REF NO | PART NO | QTY | DESCRIPTION |
|--------|---------|-----|-------------------------------------|
| 197 | 90072 | | SCREW -(Back Plate) |
| 215 | 222445 | | GUIDE, Air |
| 316 | 691612 | | NUT -(Back Plate) |
| 318 | 691666 | | SCREW -(Mounting Bracket) |
| 344 | 690305 | | SCREW -(Cable Clamp) |
| 367 | 690305 | | SCREW -(Wire Clip) |
| 384 | 690371 | | WASHER -(Back Plate) |
| 405 | 690290 | | SCREW -(Back Plate) |
| 452 | 92864 | | WASHER -(Back Plate) |
| 452B | 26404 | | WASHER -(Back Plate) |
| 452C | 691077 | | WASHER -(Back Plate) |
| 488 | 222211 | | BRACKET, Mounting |
| 488A | 222345 | | BRACKET, Mounting |
| 573 | 391220 | | PLATE, Back -(Number 0484) |
| 573A | 299450 | | PLATE, Back |
| 587 | 690389 | | CLAMP, Cable |
| 588A | 690375 | | BRACKET, Armature -(Number 0484) |
| 589 | 690300 | | SCREW -(Armature Bracket) |
| 685 | 690661 | | SCREW -(Rectifier) |
| 727 | 692338 | | COVER-STARTER DRIVE |
| 729 | 690432 | | CLIP, Wire -(Alternator) |
| 729A | 690588 | | CLIP, Wire |
| 732 | 93410 | | SCREW -(Starter Drive Cover) |
| 736 | 690302 | | NUT |
| 895 | 692309 | | SWITCH, Rotary |

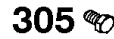
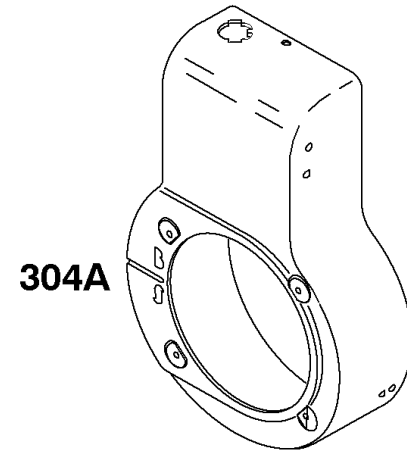
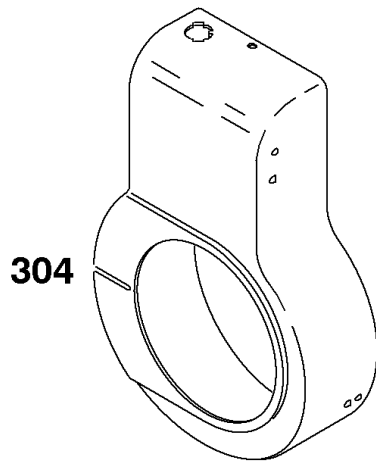


| REF. NO. | PART NO. | DESCRIPTION | REF. NO. | PART NO. | DESCRIPTION | REF. NO. | PART NO. | DESCRIPTION | |
|----------|----------|--|----------|----------|--|----------|----------|--|---|
| 20 | 691948 | Seal-Oil (PTO Side) | | | 0359, 0361, 0368, 0373, 0374, 0383, 0385, 0395, 0396, 0634, 0636, 0648, 0650, 0656, 0661, 0666, 0670, 0671, 0674, 0675, 0684, 0686, 0690, 0692, 0693, 0696, 0698, 0699, 0702, 0703, 0706, 0708, 0709, 0714, 0717, 0721, 0724, 0726, 0732, 0733, 0735, 0737, 0739, 0740, 0743, 0744, 0745, 0746, 0750, 0751, 0752, 0753, 0754, 0755, 0757, 0759, 0771, 0776, 0780, 0783, 0784, 0789, 0794, 0801, 0802, 2522, 2550, 2562, 2563, 2596. | 571B | 299705 | Support-Bearing (Magneto Side) | |
| 20A | 291675S | Seal-Oil (PTO Side) | | | | 593 | 691311 | Gasket-Bearing Support | |
| 228 | 691681 | Screw (Bearing Support) | | | | 593A | 270513 | Gasket-Bearing Support (.015" Thick) | |
| 228A | 691058 | Screw (Bearing Support) | | | | | | ----- Note ----- 270514 Gasket- Bearing Support (.010" Thick) | |
| 571 | 391062 | Support-Bearing | | | | | | 270515 Gasket- Bearing Support (.005" Thick) | |
| 571A | 291665 | Support-Bearing Used on Type No(s). 0022, 0050, 0062, 0063, 0112, 0113, 0114, 0116, 0130, 0143, 0147, 0149, 0150, 0151, 0153, 0156, 0160, 0167, 0171, 0172, 0173, 0174, 0175, 0176, 0183, 0185, 0186, 0188, 0192, 0193, 0196, 0197, 0198, 0205, 0208, 0209, 0216, 0217, 0219, 0224, 0233, 0235, 0236, 0241, 0242, 0244, 0247, 0255, 0256, 0257, 0260, 0261, 0265, 0266, 0269, 0272, 0273, 0277, 0278, 0279, 0285, 0286, 0287, 0290, 0291, 0292, 0296, 0297, 0302, 0303, 0304, 0310, 0312, 0318, 0327, 0329, 0334, 0337, 0338, 0340, 0344, 0345, 0347, 0357, | | | | | | | 1141 690402 Washer (Bearing Support) |
| | | | | | | | | ----- Note ----- 291710 Support- Bearing Used on Type No(s). 0647, 0668, 0682, 0713, 0717, 0755, 0772, 0782, 0788, 0790, 0792, 0793, 0801, 0804, 2521, 2530. | |

Bearing Supports, Gaskets

| REF NO | PART NO | QTY | DESCRIPTION |
|--------|---------|-----|-------------------------------------|
| 20 | 691948 | | SEAL, Oil -(PTO Side) |
| 20A | 291675S | | SEAL, Oil -(PTO Side) |
| 228 | 691681 | | SCREW -(Bearing Support) |
| 228A | 691058 | | SCREW -(Bearing Support) |
| 571 | 391062 | | SUPPORT, Bearing |
| 571B | 299705 | | SUPPORT, Bearing -(Magneto Side) |
| 593 | 691311 | | GASKET-CRANKCASE COVER |
| 593A | 270515 | | GASKET, Bearing Support -(.005) |
| 593A | 270514 | | GASKET, Bearing Support -(.010) |
| 593A | 270513 | | GASKET, Bearing Support -(.015) |
| 1141 | 690402 | | WASHER -(Bearing Support) |

Not For Reproduction

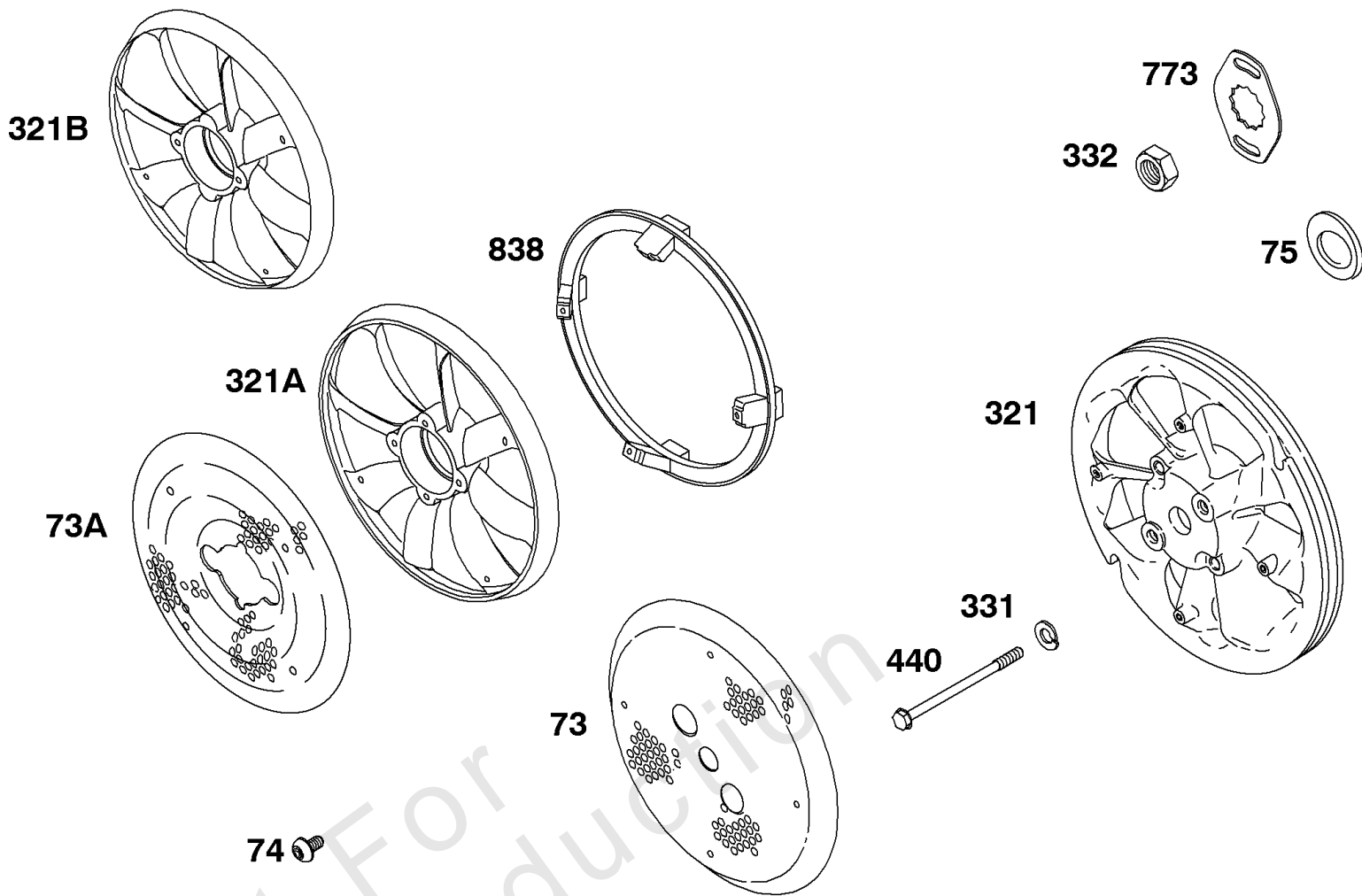


| REF. NO. | PART NO. | DESCRIPTION | REF. NO. | PART NO. | DESCRIPTION | REF. NO. | PART NO. | DESCRIPTION |
|----------|-------------|---|----------|----------|--|------------|---|--|
| 304 | 294698 | Housing-Blower ----- Note ----- 297010 Housing-Blower Used on Type No(s). 0060, 0119, 0160, 0197, 0216, 0223, 0237. 297453 Housing-Blower Used on Type No(s). 0020, 0023, 0050, 0136, 0139, 0140, 0145, 0150, 0151, 0152, 0155, 0159, 0175, 0181, 0183, 0191, 0199, 0203, 0204, 0205, 0206, 0208, 0212, 0218, 0219, 0226, 0227, 0228, 0254, 0255, 0259. 391229 Housing-Blower Used on Type No(s). 0027, 0028, 0063, 0115, 0123, 0126, 0135, 0143, 0148, 0149, 0162, 0163, 0165, 0167, 0168, 0170, 0171, 0172, 0174, 0178, 0180, 0182, 0184, 0185, 0188, 0189, 0192, 0193, 0198, 0201, 0209, 0210, 0211, 0213, 0215, 0217, 0221, 0224, 0229, 0230, 0231, 0234, 0235, 0236, 0238, | | | 0248, 0249, 0259, 0251, 0252, 0257, 0261, 0262, 0265, 0271, 0273, 0275, 0276, 0277, 0278, 0279, 0281, 0282, 0283, 0284, 0285, 0286, 0287, 0288, 0296, 0298, 0303, 0304, 0306, 0307, 0309, 0310, 0311, 0315, 0316, 0317, 0318, 0319, 0320, 0321, 0322, 0323, 0324, 0325, 0326, 0328, 0330, 0331, 0332, 0333, 0334, 0337, 0338, 0340, 0343, 0347, 0348, 0349, 0350, 0351, 0353, 0355, 0358, 0359, 0360, 0363, 0364, 0367, 0370, 0371, 0372, 0374, 0375, 0376, 0377, 0378, 0379, 0381, 0382, 0383, 0388, 0389, 0392, 0394, 0399, 0630, 0634, 0636, 0638, 0640, 0643, 0649, 0653, 0654, 0658, 0660, 0661, 0663, 0665, 0666, 0667, 0668, 0669, 0671, 0672, 0673, 0675, 0676, 0678, 0679, 0680, 0684, 0685, 0687, 0688, 0692, 0693, 0697, 0698, 0699, | | | 0701, 0702, 0703, 0704, 0705, 0707, 0708, 0712, 0714, 0715, 0716, 0718, 0720, 0721, 0724, 0725, 0729, 0731, 0733, 0736, 0738, 0741, 0742, 0746, 0748, 0749, 0751, 0752, 0753, 0754, 0760, 0761, 0764, 0765, 0770, 0771, 0772, 0774, 0776, 0779, 0782, 0783, 0784, 0787, 0789, 0797, 2527, 2528, 2563, 2596. 692359 Housing-Blower Used on Type No(s). 0682. 395513 Housing-Blower Used on Type No(s). 0711, 0719, 0732, 0740, 0781, 2529. 399177 Housing-Blower Used on Type No(s). 0758, 0788. |
| | 304A | 392343 Housing-Blower (Low Profile) Used on Type No(s). 0713, 0744, 0750, 0755, 0759, 0780, 0785, 0786, 2561, 2562. | | | | 305 | 692198 Screw (Blower Housing) | |

Blower Housings

| REF NO | PART NO | QTY | DESCRIPTION |
|---------------|----------------|------------|----------------------------|
| 304 | 294698 | | HOUSING, Blower |
| 305 | 692198 | | SCREW -(Blower Housing) |

Not For Reproduction

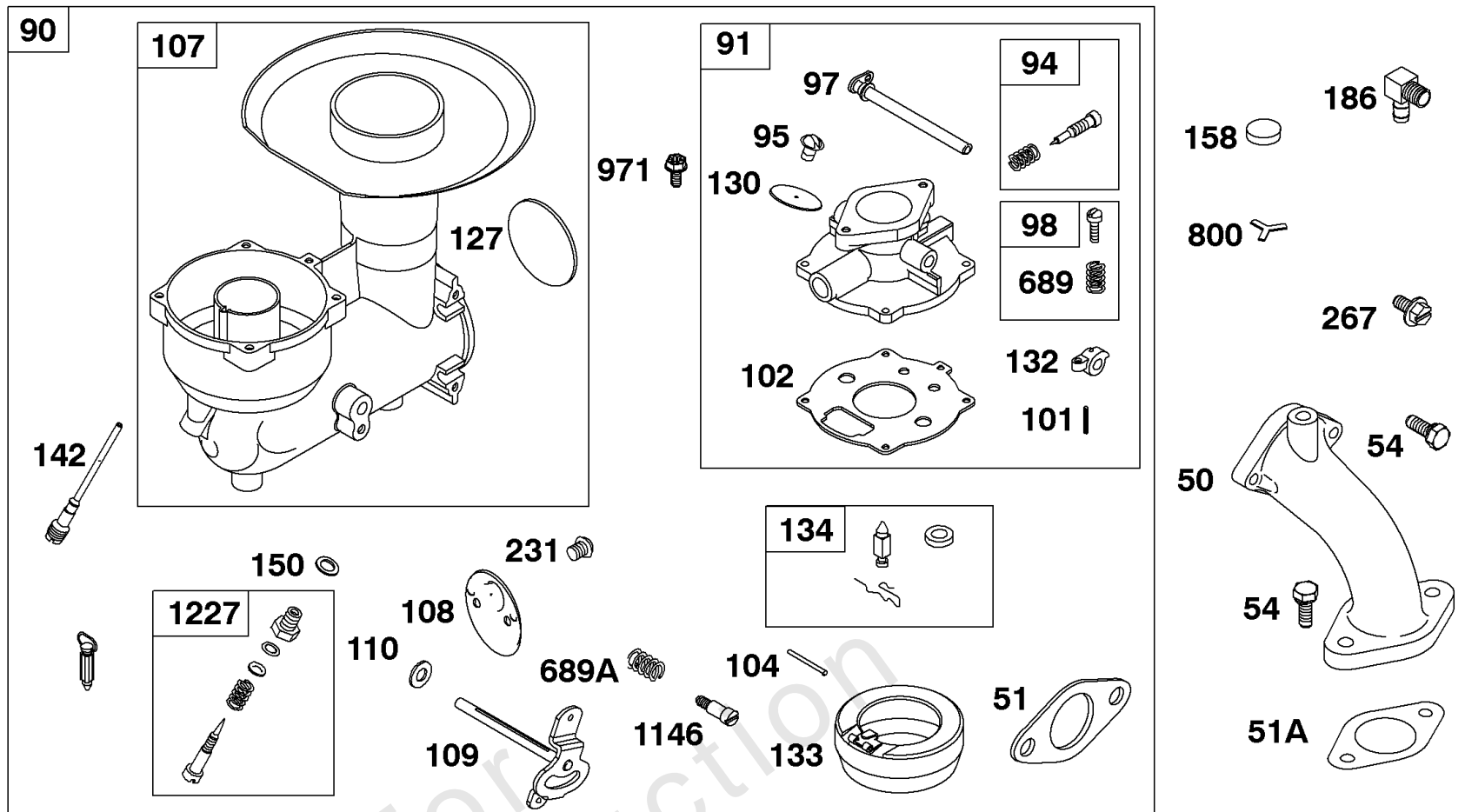


| REF. NO. | PART NO. | DESCRIPTION | REF. NO. | PART NO. | DESCRIPTION | REF. NO. | PART NO. | DESCRIPTION |
|----------|----------|--|----------|----------|----------------------------|----------|----------|--------------------------------|
| 73 | 691171 | Screen-Rotating ----- Note ----- 690404 Screen-Rotating Used on Type No(s). 0127, 0133, 0182, 0190, 0210, 0222, 0252, 0262, 0315, 0333, 0630, 0649, 2582, 2583. | 74 | 691655 | Screw (Rotating Screen) | 440 | 691076 | Screw (Booster Fan) |
| 73A | 690410 | Screen-Rotating | 75 | 691056 | Washer (Flywheel) | 773 | 690265 | Retainer |
| | | | 321 | 691151 | Fan-Booster | 838 | 211983 | Adapter-Blower Housing Ring |
| | | | 321A | 690377 | Fan-Booster | | | |
| | | | 321B | 212000 | Fan-Booster | | | |
| | | | 331 | 691075 | Washer (Booster Fan) | | | |
| | | | 332 | 691059 | Nut (Flywheel) | | | |

Booster Fans, Rotating Screens

| REF NO | PART NO | QTY | DESCRIPTION |
|--------|---------|-----|------------------------------|
| 73 | 690404 | | SCREEN, Rotating |
| 74 | 691655 | | SCREW -(Rotating Screen) |
| 75 | 691056 | | WASHER -(Flywheel) |
| 321 | 691151 | | FAN, Booster |
| 321A | 690377 | | FAN-BOOSTER |
| 321B | 212000 | | FAN, Booster |
| 331 | 691075 | | WASHER -(Booster Fan) |
| 332 | 691059 | | NUT -(Flywheel) |
| 440 | 691076 | | SCREW -(Booster Fan) |
| 773 | 690265 | | RETAINER |
| 838 | 211983 | | ADAPTER, Blower Housing Ring |

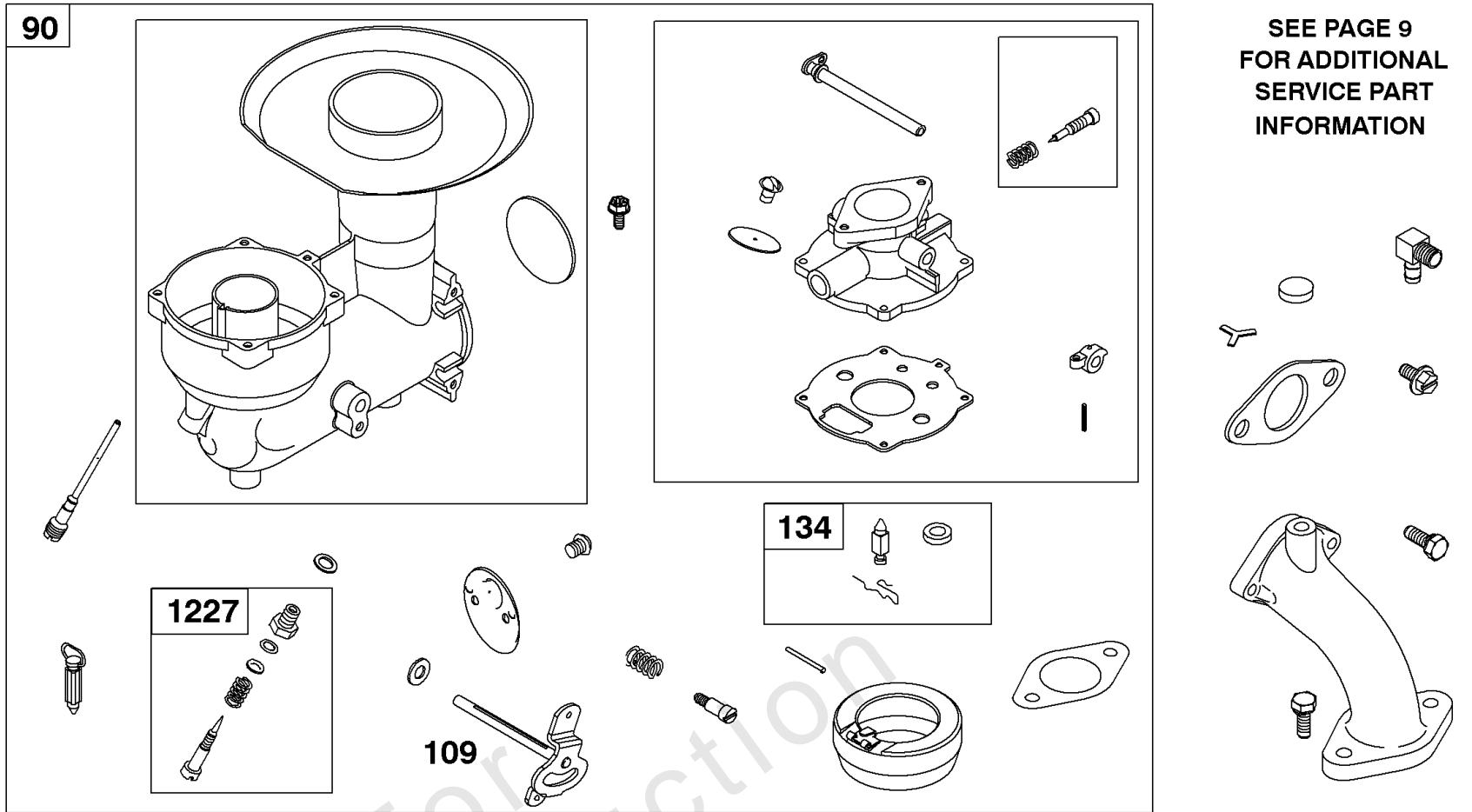
Not For Reproduction



| REF. NO. | PART NO. | DESCRIPTION | REF. NO. | PART NO. | DESCRIPTION | REF. NO. | PART NO. | DESCRIPTION |
|----------|----------|---|----------|----------|--|----------|----------|--|
| 50 | 691152 | Manifold-Intake ----- Note ----- 692525 Manifold-Intake Used on Type No(s). 0248, 0308, 0358, 0638, 0707, 0770. | 94 | 292681 | Kit-Idle Mixture | | | ----- Note ----- 390950 Nozzle-Carburetor (Standard) (Labeled 40) (Used Before Code Date 81090900). |
| 51 | 27381 | Gasket-Intake | 95 | 691437 | Screw (Throttle Valve) | 150 | 691610 | Gasket-Nozzle |
| 51A | 692214 | Gasket-Intake | 97 | 691944 | Shaft-Throttle | 158 | 27590 | Plug-Carburetor Filter/Drain |
| 54 | 691681 | Screw (Intake Manifold) | 98 | 693942 | Kit-Idle Speed | 186 | 691764 | Connector-Hose |
| 90 | | Carburetor (See Previous Page) | 101 | 691616 | Pin-Shaft | 231 | 691437 | Screw (Choke Valve) |
| 91 | 299687 | Body-Upper Carburetor ----- Note ----- 391067 Body-Upper Carburetor Used on Type No(s). 0121, 0144, 0157, 0158, 0164, 0165, 0169, 0170, 0182, 0184, 0192, 0240, 0309, 0331, 0630, 0707, 0724, 0770. | 102 | 692215 | Gasket-Carburetor Body | 267 | 691082 | Screw (Casing Clamp) |
| | | | 104 | 691775 | Pin-Float Hinge | 689 | 691591 | Spring-Friction |
| | | | 107 | 391069 | Body-Lower Carburetor | 689A | 691590 | Spring-Friction |
| | | | 108 | 690621 | Valve-Choke | 800 | 220521 | Retainer-Carburetor Drain |
| | | | 109 | | Shaft-Choke (See Previous Page) | 971 | 691090 | Screw (Air Cleaner Base to Carburetor) |
| | | | 110 | 691186 | Washer (Choke Shaft) | 1146 | 691587 | Screw (Choke Shaft) |
| | | | 127 | 690627 | Plug-Welch | 1227 | | Valve-High Speed (See Previous Page) |
| | | | 130 | 691727 | Valve-Throttle | | | |
| | | | 132 | 691708 | Stop-Throttle | | | |
| | | | 133 | 692265 | Float-Carburetor | | | |
| | | | 134 | | Kit-Needle/Seat (See Previous Page) | | | |
| | | | 142 | 691966 | Nozzle-Carburetor (Standard) (Labeled B) (Used After Code Date 81090800). | | | |

Carburetor

| REF NO | PART NO | QTY | DESCRIPTION |
|--------|---------|-----|---|
| 50 | 691152 | | MANIFOLD, Intake |
| 51 | 27381S | | GASKET, Intake |
| 51A | 692214 | | GASKET, Intake |
| 54 | 691681 | | SCREW -(Intake Manifold) |
| 90 | 391070 | | CARBURETOR |
| 91 | 299687 | | BODY, Upper Carburetor |
| 94 | 292681 | | VALVE, Idle Mixture |
| 95 | 691437 | | SCREW -(Throttle Valve) |
| 97 | 691944 | | SHAFT, Throttle |
| 98 | 693942 | | KIT, Idle Speed |
| 101 | 691616 | | PIN, Shaft |
| 102 | 692215 | | GASKET, Carburetor Body |
| 104 | 691775 | | PIN, Float Hinge |
| 107 | 391069 | | BODY, Lower Carburetor |
| 108 | 690621 | | VALVE, Choke |
| 109 | 690617 | | SHAFT, Choke |
| 110 | 691186 | | WASHER -(Choke Shaft) |
| 127 | 690627 | | PLUG, Welch |
| 130 | 691727 | | VALVE, Throttle |
| 132 | 691708 | | STOP, Throttle |
| 133 | 692265 | | FLOAT-CARBURETOR |
| 134 | 394681 | | KIT, Needle/Seat -(Gravity Feed) |
| 134 | 394682 | | KIT, Needle/Seat -(Includes Brass Seat) |
| 134 | 394683 | | KIT, Needle/Seat -(Includes Brass Seat)(Use With Impulse Pump) |
| 142 | 390950 | | NOZZLE, Carburetor -(Standard) (Labeled 40) -Used Before Code Date 81090900 |
| 142 | 691966 | | NOZZLE, Carburetor -(Standard) (Labeled B) -Used After Code Date 81090800 |
| 150 | 691610 | | GASKET, Nozzle |
| 158 | 27590 | | PLUG, Carburetor Filter/Drain |
| 186 | 691764 | | CONNECTOR-HOSE -(Pulse Line) |
| 231 | 691437 | | SCREW -(Choke Valve) |
| 267 | 691082 | | SCREW -(Casing Clamp) |
| 689 | 691591 | | SPRING, Friction |
| 689A | 691590 | | SPRING, Friction |
| 800 | 220521 | | RETAINER, Carburetor Drain |
| 971 | 691090 | | SCREW -(Air Cleaner Base) (Remote Choke) |
| 1146 | 691587 | | SCREW -(Choke Shaft) |
| 1227 | 99525S | | VALVE, High Speed |



| REF. NO. | PART NO. | DESCRIPTION | REF. NO. | PART NO. | DESCRIPTION | REF. NO. | PART NO. | DESCRIPTION | | | |
|----------|----------|--|----------|----------|---|----------|----------|---|------|--------|------------------|
| 90 | 391065 | Carburetor ----- Note ----- 391068 Carburetor Used on Type No(s). 0121, 0144, 0157, 0158, 0164, 0165, 0169, 0170, 0184, 0192, 0240, 0331. 391070 Carburetor Used on Type No(s). 0127, 0133, 0134, 0135, 0136, 0139, 0140, 0149, 0162, 0163, 0166, 0172, 0173, 0180, 0185, 0186, 0201, 0204, 0206, 0211, 0212, 0213, 0226, 0227, 0228, 0229, 0249, 0251, 0271, 0298, 0326, 0328, 0332. 392035 Carburetor Used on Type No(s). 0182, 0210, 0222, 0309. 393431 Carburetor Used on Type No(s). 0262, 0630. | 109 | 691353 | Shaft-Choke ----- Note ----- 690617 Shaft-Choke Used on Type No(s). 0121, 0127, 0133, 0134, 0135, 0136, 0139, 0140, 0144, 0149, 0157, 0158, 0162, 0163, 0164, 0165, 0166, 0169, 0170, 0172, 0180, 0184, 0185, 0186, 0192, 0201, 0204, 0206, 0211, 0212, 0213, 0226, 0227, 0228, 0229, 0249, 0251, 0271, 0298, 0326, 0328, 0332, 2581, 2582. | 134 | 394681 | Kit-Needle/Seat ----- Note ----- 394682 Kit-Needle/ Seat (Includes Brass Seat) 394683 Kit-Needle/ Seat (Includes Brass Seat) (For Use With Impulse Pump) | 1227 | 99525S | Valve-High Speed |

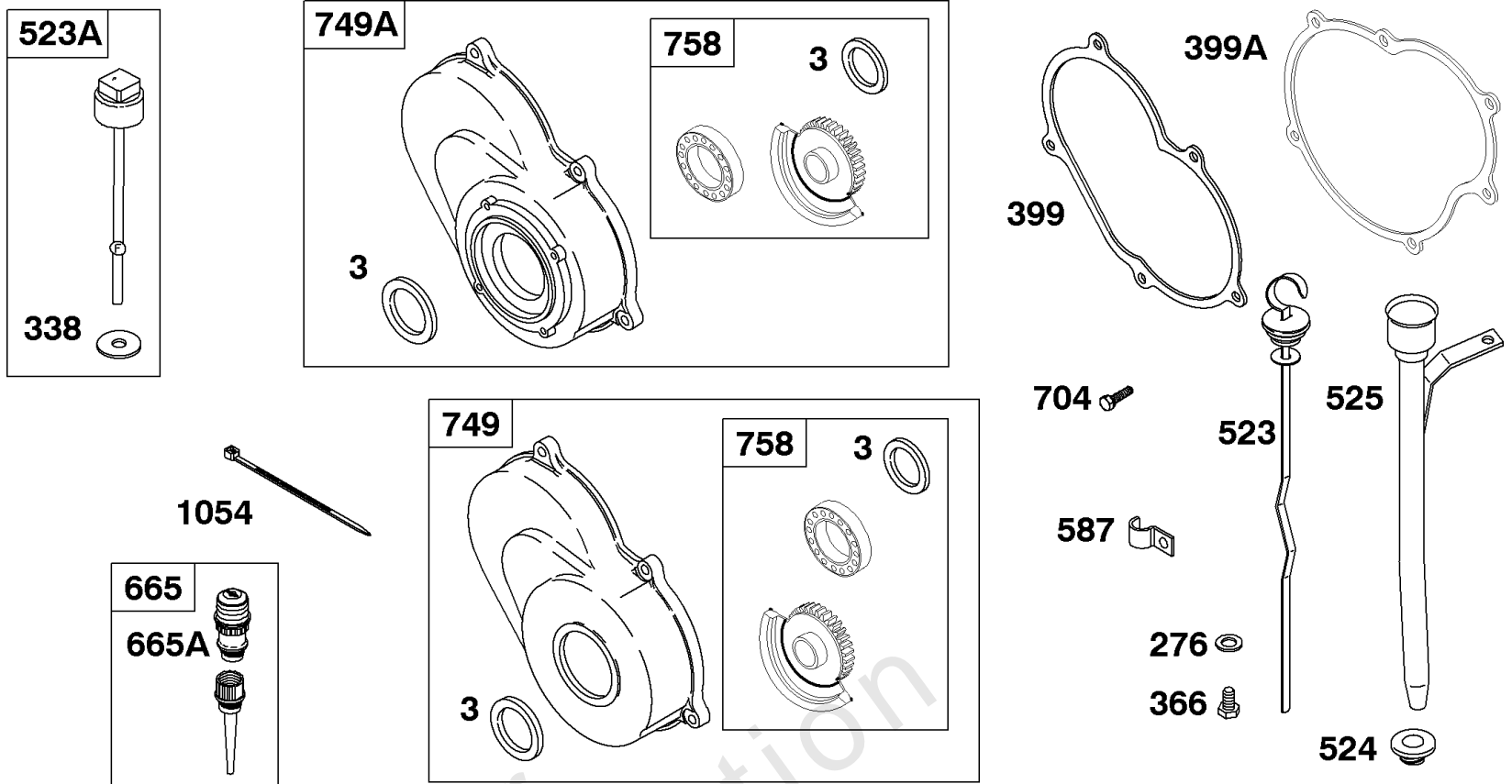
Carburetor, Choke Shaft

| REF NO | PART NO | QTY | DESCRIPTION |
|--------|---------|-----|---|
| 90 | 391070 | | CARBURETOR |
| 109 | 690617 | | SHAFT, Choke |
| 134 | 394681 | | KIT, Needle/Seat -(Gravity Feed) |
| 134 | 394682 | | KIT, Needle/Seat -(Includes Brass Seat) |
| 134 | 394683 | | KIT, Needle/Seat -(Includes Brass Seat)(Use With Impulse Pump) |
| 1227 | 99525S | | VALVE, High Speed |

Not For Reproduction

Counterweight Cover, Oil Fill

Mfg. No: 326431-0127-99



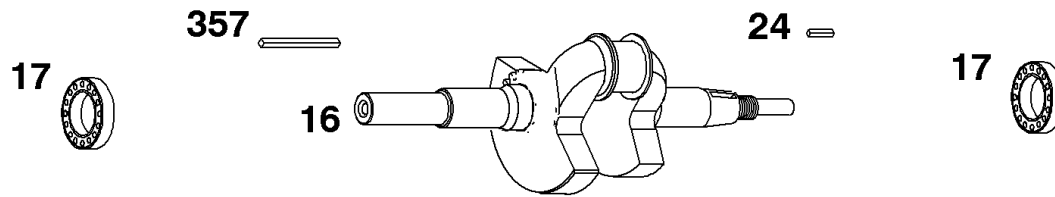
| REF. NO. | PART NO. | DESCRIPTION | REF. NO. | PART NO. | DESCRIPTION | REF. NO. | PART NO. | DESCRIPTION |
|----------|----------|---|----------|----------|--|----------|----------|---|
| 3 | 691948 | Seal-Oil (Magneto Side) | 525 | 690622 | Tube-Dipstick ----- Note ----- 690623 Tube-Dipstick Used on Type No(s). 0121, 0144, 0157, 0158, 0164, 0165, 0169, 0170, 0182, 0184, 0192, 0198, 0210, 0222, 0234, 0235, 0240, 0248, 0262, 0266, 0309, 0312, 0316, 0331, 0338, 0341, 0351, 0358, 0630, 0638, 0679, 0705, 0707, 0724, 0744, 0750, 0755, 0770, 1160, 2581. | 587 | 690389 | Clamp-Cable |
| 276 | 690258 | Washer-Sealing | | | | 665 | 298860 | Minder-Oil |
| 338 | 690270 | Gasket-Dipstick | | | | 665A | 692939 | Minder-Oil |
| 366 | 690304 | Screw (Timing Hole Plug) | | | | 704 | 691083 | Screw (Counterweight Cover) |
| 399 | 691310 | Gasket-Counterweight Cover (Magneto Side) | | | | 749 | 391061 | Cover-Counterweight |
| 399A | 692914 | Gasket-Counterweight Cover (PTO Side) | | | | 749A | 391361 | Cover-Counterweight (Used on Alternator Equipped Engines) |
| 523 | 691352 | Dipstick | | | | 758 | 393164 | Counterweight |
| 523A | 690620 | Dipstick | | | | 1054 | 280275 | Tie-Cable |
| 524 | 281370S | Seal-Dipstick Tube | | | | | | |

Counterweight Cover, Oil Fill

| REF NO | PART NO | QTY | DESCRIPTION |
|--------|---------|-----|---|
| 3 | 691948 | | SEAL, Oil -(Magneto Side) |
| 276 | 690258 | | WASHER, Sealing |
| 338 | 690270 | | SEAL, O-Ring -(Dipstick Tube) |
| 366 | 690304 | | SCREW -(Timing Hole Plug) |
| 399 | 691310 | | GASKET, Counterweight Cover -(Magneto Side) |
| 399A | 692914 | | GASKET, Counterweight Cover -(PTO Side) |
| 523 | 691352 | | DIPSTICK |
| 523A | 690620 | | PIN, Cotter |
| 524 | 281370S | | SEAL-DIPSTICK TUBE -(Dipstick Tube) |
| 525 | 690622 | | TUBE-DIPSTICK |
| 587 | 690389 | | CLAMP, Cable |
| 665 | 298860 | | MINDER, Oil |
| 665A | 692939 | | MINDER, Oil |
| 704 | 691083 | | SCREW -(Counterweight Cover) |
| 749 | 391061 | | COVER, Gear |
| 749A | 391361 | | COVER, Gear -(Used on Alternator Equipped Engines) |
| 758 | 393164 | | COUNTERWEIGHT |
| 1054 | 280275 | | TIE, Cable |

Crankshaft

Mfg. No: 326431-0127-99



| REF. NO. | PART NO. | DESCRIPTION | REF. NO. | PART NO. | DESCRIPTION | REF. NO. | PART NO. | DESCRIPTION |
|----------|----------|--|----------|----------|---|----------|----------|--|
| 16 | 691797 | Crankshaft ----- Note ----- 690534 Crankshaft Used on Type No(s). 0237, 0133, 0190, 0252, 0315, 0788, 2582. 261222 Crankshaft Used on Type No(s). 0139, 0204, 0228, 0328, 0678. 690535 Crankshaft Used on Type No(s). 0050, 0116, 0130, 0143, 0147, 0149, 0150, 0151, 0156, 0167, 0170, 0172, 0173, 0174, 0185, 0186, 0188, 0192, 0193, 0208, 0219, 0231, 0248, 0257, 0286, 0290, 0310, 0317, 0318, 0329, 0337, 0343, 0371, 0636, 0638, 0666, 0669, 0684, 0690, 0706, 0721, 0751, 2550. 690536 Crankshaft Used on Type No(s). 0022, 0063, 0114, 0129, 0153, 0175, 0176, 0183, 0198, 0205, 0217, 0224, 0233, 0235, 0236, 0238, 0247, 0255, 0261, 0265, 0266, 0273, 0277, 0278, 0279, 0285, 0287, 0291, 0296, 0303, 0320, 0334, 0338, 0340, 0344, 0345, 0346, 0347, 0348, 0353, 0359, 0361, 0363, 0366, 0367, 0374, 0375, 0383, 0385, 0394, 0396, 0633, 0634, 0648, 0650, 0654, 0661, | | | 0671, 0674, 0676, 0680, 0687, 0692, 0693, 0694, 0696, 0698, 0699, 0702, 0703, 0708, 0714, 0718, 0722, 0724, 0729, 0733, 0736, 0746, 0753, 0754, 0757, 0764, 0771, 0772, 0774, 0776, 0782, 0787, 2522, 2563, 2596. Crankshaft (NO LONGER AVAILABLE) Used on Type No(s). 0158, 0160, 0197, 0216, 0237. 690537 Crankshaft Used on Type No(s). 0210, 0262, 0630. 690540 Crankshaft Used on Type No(s). 0062, 0241, 0242, 0243, 0244, 0260, 0269, 0272, 0292, 0295, 0297, 0300, 0302, 0312, 0327, 0352, 0365, 0369, 0373, 0391, 0635, 0670, 0681, 0686, 0691, 0719, 0723, 0726, 0730, 0732, 0735, 0737, 0740, 0744, 0745, 0750, 0755, 0759, 0780, 0786, 2562. 690541 Crankshaft Used on Type No(s). 0061, 0124, 0246, 0253, 0305, 0308, 0335, 0341, 0342, 0646, 0710, 0711, 0713, 0728, 0781, 0785, 2529, 2561. | | | 690543 Crankshaft Used on Type No(s). 0259, 0293, 0647, 0756. 691806 Crankshaft (Used After Code Date 77072410). Used on Type No(s). 0021, 0112, 0128, 0181, 0189, 0203, 0209, 0254, 0256, 0258, 0314, 0321, 0357, 0362, 0368, 0395, 0656, 0668, 0675, 0709, 0717, 0739, 0743, 0752, 0765, 0778, 0779, 0784, 0789, 0790, 0792, 0793, 0794, 0801, 0802, 0804, 2521, 2526, 2530. Crankshaft (Used Before Code Date 77072510). (NO LONGER AVAILABLE) Used on Type No(s). 0021, 0112, 0128, 0181, 0189, 0203, 0209, 0254, 0256, 0258, 0314, 0321, 0357, 0362, 0368, 0395, 0656, 0668, 0675, 0709, 0717, 0739, 0743, 0752, 0765, 0778, 0779, 0784, 0789, 0790, 0792, 0793, 0794, 0801, 0802, 0804, 2521, 2526, 2530. 690546 Crankshaft Used on Type No(s). 0682, 2560. 261944 Crankshaft Used on Type No(s). 0720, 0758, 0788. |
| | 17 | 691938 | | | Bearing-Ball | | | |
| | 24 | 222698s | | | Key-Flywheel | | | |
| | 357 | 601482 | | | Key-Drive Pulley | | | |

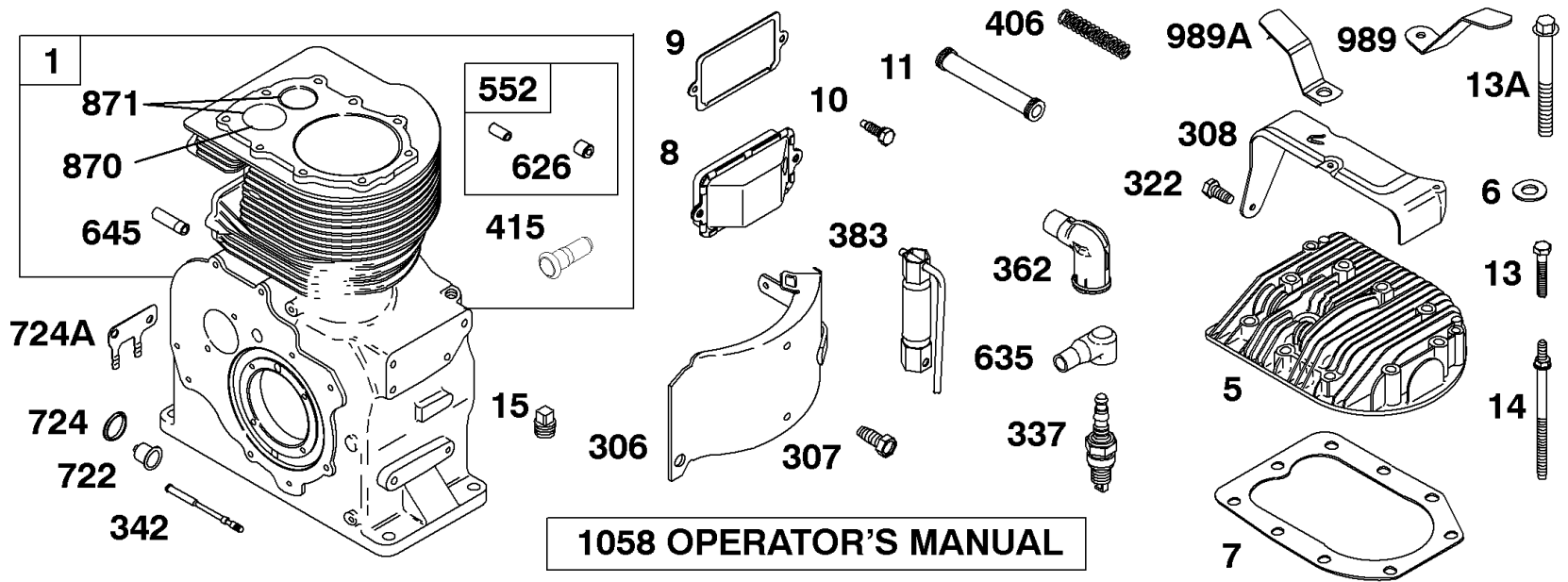
Crankshaft

| REF NO | PART NO | QTY | DESCRIPTION |
|---------------|----------------|------------|--------------------|
| 16 | 691797 | | CRANKSHAFT |
| 17 | 691938 | | BEARING, Ball |
| 24 | 222698S | | KEY, Flywheel |
| 357 | 691483 | | KEY, Drive Pulley |

Not For Reproduction

Cylinder, Head, Spark Plug

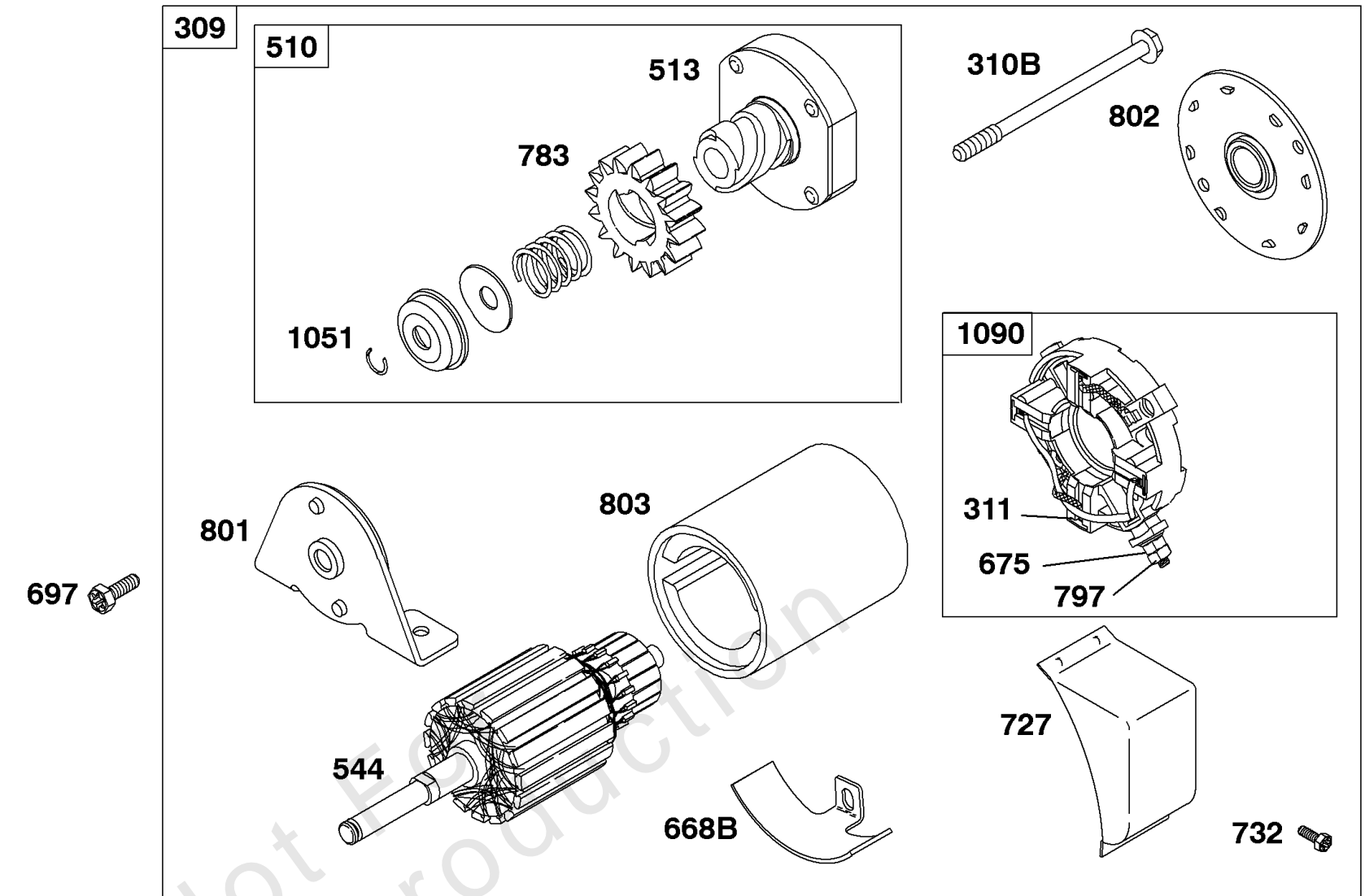
Mfg. No: 326431-0127-99



| REF. NO. | PART NO. | DESCRIPTION | REF. NO. | PART NO. | DESCRIPTION | REF. NO. | PART NO. | DESCRIPTION |
|----------|----------|--|----------|----------|---|----------|----------|--|
| 1 | 395663 | Cylinder Assembly | 308 | 691731 | Cover-Cylinder Head (Used After Code Date 75060800). | 870 | 691583 | Seat-Valve (Exhaust) |
| 5 | 691712 | Head-Cylinder | | | | 871 | 231218 | Bushing-Valve Guide |
| 6 | 691261 | Washer (Cylinder Head) | | | | 989 | 690578 | Stop Switch- Spark Plug |
| 7 | 692231 | Gasket-Cylinder Head | | | | | | ----- Note ----- |
| 8 | 495738 | Breather Assembly | | | | | | 293739 Stop Switch- Spark Plug |
| 9 | 27803S | Gasket-Breather | | | | | | Used on Type No(s). 0200. |
| 10 | 690294 | Screw (Breather Assembly) | | | | | | 298926 Stop Switch- Spark Plug |
| 11 | 691512 | Tube-Breather | | | | | | Used on Type No(s). 0028, 0062, 0138, 0187, 0195, 0220, 0232, 0237, 0238, 0243, 0266, 0295, 0320, 0327, 0658, 0663, 0675, 0680, 0681, 0687, 0691, 0729, 0730, 0735, 2528, 2562. |
| 13 | 691614 | Screw (Cylinder Head) (1 3/4" Long) | 322 | 692198 | Screw (Cylinder Head Cover) | | | 390785 Stop Switch- Spark Plug |
| | | ----- Note ----- | | | | | | Used on Type No(s). 0640, 0734. |
| | | 691640 Screw (Cylinder Head) (2 1/16" Long) | 337 | 802592S | Plug-Spark | 989A | 690633 | Stop Switch- Spark Plug |
| 13A | 691441 | Screw (Cylinder Head) (2 7/16" Long) | 342 | 298125S | Plunger-Breaker | 1058 | 270373 | Operator's Manual |
| 14 | 691690 | Stud (Cylinder Head) | 362 | 691954 | Shield-Spark Plug | | | |
| 15 | 692833 | Plug-Oil Drain | 383 | 89838 | Wrench-Spark Plug | | | |
| 306 | 299536 | Shield-Cylinder | 406 | 690533 | Spring-Breather Tube | | | |
| 307 | 690294 | Screw (Cylinder Shield) | 415 | 692882 | Plug | | | |
| | | | 552 | 393666 | Bushing-Governor Crank | | | |
| | | | 626 | 690512 | Spacer-Governor Crank | | | |
| | | | 635 | 66538S | Boot-Spark Plug | | | |
| | | | 645 | 692880 | Bushing-Plunger | | | |
| | | | 722 | 68768 | Seal-Plunger | | | |
| | | | 724 | 93516 | Retainer-Seal | | | |
| | | | 724A | 221873 | Retainer-Seal | | | |

Cylinder, Head, Spark Plug

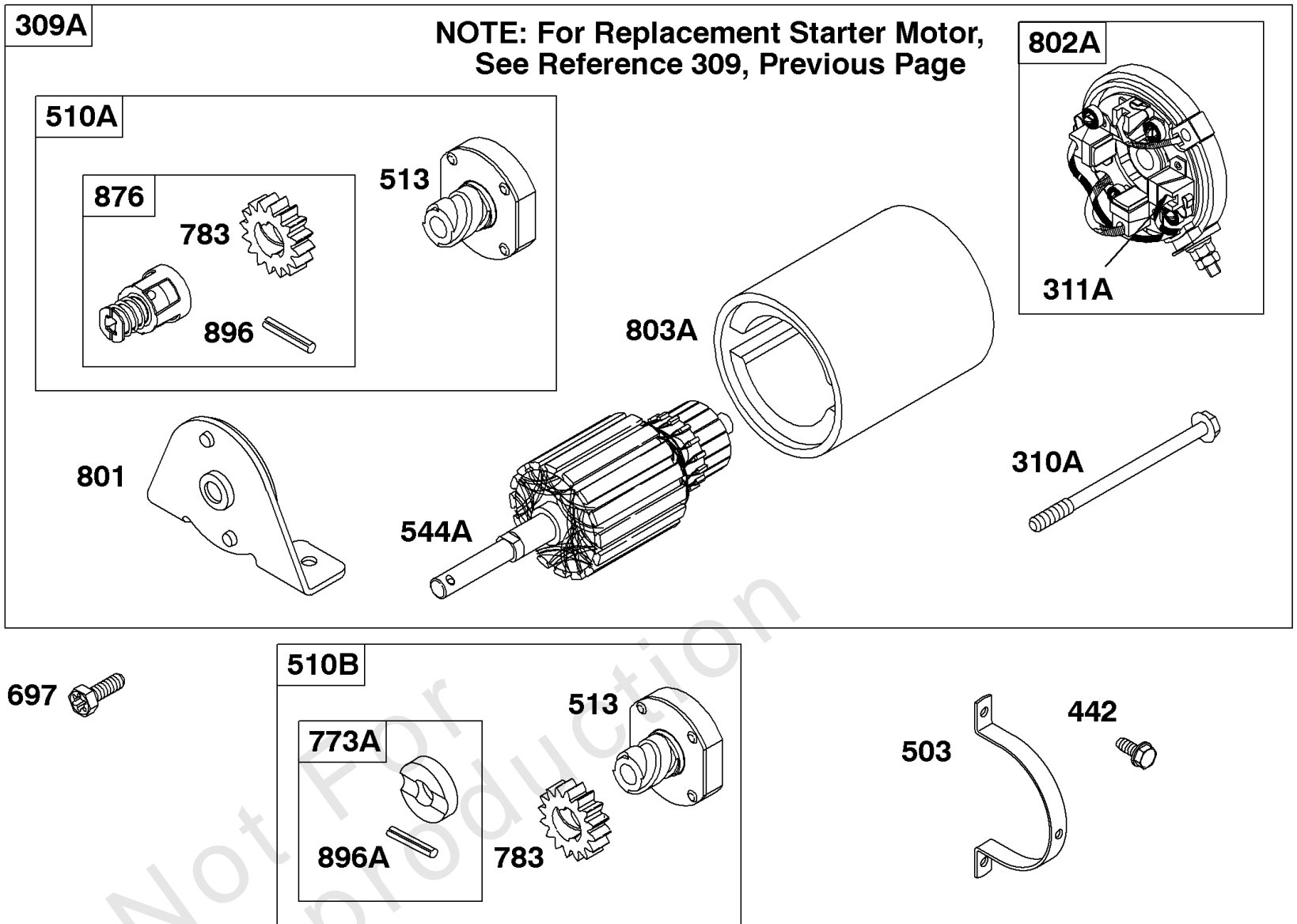
| REF NO | PART NO | QTY | DESCRIPTION |
|--------|---------|-----|--|
| 1 | 395663 | | CYLINDER ASSEMBLY |
| 5 | 691712 | | HEAD, Cylinder |
| 6 | 691261 | | WASHER -(Cylinder Head) |
| 7 | 692231 | | GASKET, Cylinder Head |
| 8 | 495738 | | BREATHER ASSEMBLY |
| 9 | 27803S | | GASKET, Breather |
| 10 | 690294 | | SCREW -(Breather Assembly) |
| 11 | 691512 | | TUBE, Breather |
| 13 | 691640 | | SCREW -(Cylinder Head) (2 1/16) |
| 13 | 691614 | | SCREW -(Cylinder Head) (1 3/4) |
| 13A | 691441 | | SCREW -(Cylinder Head) (2 7/16) |
| 14 | 691690 | | STUD -(Cylinder Head) |
| 15 | 692833 | | PLUG, Oil Drain |
| 306 | 299536 | | SHIELD, Cylinder |
| 307 | 690294 | | SCREW -(Cylinder Shield) |
| 308 | 691731 | | COVER, Cylinder Head -Used After Code Date 75060800 |
| 322 | 692198 | | SCREW -(Cylinder Head Cover) |
| 337 | 802592S | | PLUG, Spark -(Resistor) |
| 342 | 298125S | | PLUNGER, Breaker |
| 362 | 691954 | | SHIELD, Spark Plug |
| 383 | 89838S | | WRENCH-SPARK PLUG |
| 406 | 690533 | | SPRING, Breather Tube |
| 415 | 692882 | | PLUG |
| 552 | 393666 | | BUSHING, Governor Crank |
| 626 | 690512 | | SPACER -(Governor Lever) |
| 635 | 66538S | | BOOT, Spark PLug |
| 645 | 692880 | | BUSHING, Plunger |
| 722 | 68768 | | SEAL, Plunger |
| 724 | 93516 | | RETAINER, Seal |
| 724A | 221873 | | RETAINER, Seal |
| 870 | 691583 | | SEAT, Valve -(Exhaust) |
| 871 | 231218 | | BUSHING, Valve Guide -(Intake) |
| 989 | 690578 | | SWITCH, Spark Plug Stop |
| 989A | 690633 | | SWITCH, Spark Plug Stop |
| 1058 | 270373 | | MANUAL, Operator's |



| REF. NO. | PART NO. | DESCRIPTION | REF. NO. | PART NO. | DESCRIPTION | REF. NO. | PART NO. | DESCRIPTION |
|----------|----------|--|----------|----------|--------------------------------|----------|----------|---|
| 309 | 396306 | Motor-Starter | 668B | 396515 | Spacer | 797 | 691029 | Nut (Brush Retainer) |
| 310B | 691263 | Screw (Starter Motor) (4 3/4" Long) | 675 | 691261 | Washer (Brush Retainer) | 801 | 394802 | Cap-Drive |
| 311 | 497608 | Brush Set | 697 | 691058 | Screw (Drive Cap) | 802 | 691286 | Cap-End |
| 510 | 696541 | Drive-Starter | 727 | 692338 | Cover-Starter Drive | 803 | | Housing-Starter (Serviced By 396306 Starter Motor Only) |
| 513 | 692024 | Clutch-Drive | 732 | 93410 | Screw (Starter Drive Cover) | 1051 | 691265 | Ring-Retaining |
| 544 | | Armature-Starter (Serviced By 396306 Starter Motor Only) | 783 | 695708 | Gear-Pinion | 1090 | 691293 | Retainer-Brush |

Electric Starter 1

| REF NO | PART NO | QTY | DESCRIPTION |
|--------|---------|-----|---|
| 309 | 396306 | | MOTOR, Starter |
| 310B | 691263 | | BOLT -(Starter Motor) (4 3/4) (4 3/8 Housing) |
| 311 | 497608 | | SET, Brush |
| 510 | 696541 | | DRIVE, Starter |
| 513 | 692024 | | CLUTCH, Drive |
| 544 | ----- | | Armature-Starter -(Service With 396306 Starter Motor Only) |
| 668B | 396515 | | SPACER |
| 675 | 691261 | | WASHER -(Brush Retainer) |
| 697 | 691058 | | SCREW -(Drive Cap) |
| 727 | 692338 | | COVER-STARTER DRIVE |
| 732 | 93410 | | SCREW -(Starter Drive Cover) |
| 783 | 695708 | | GEAR-PINION |
| 797 | 691029 | | NUT -(Brush Retainer) |
| 801 | 394802 | | CAP, Drive |
| 802 | 691286 | | CAP, End |
| 803 | ----- | | Housing-Starter -(Service With 396306 Starter Motor Only) |
| 1051 | 691265 | | RING, Retaining |
| 1090 | 691293 | | RETAINER, Brush |



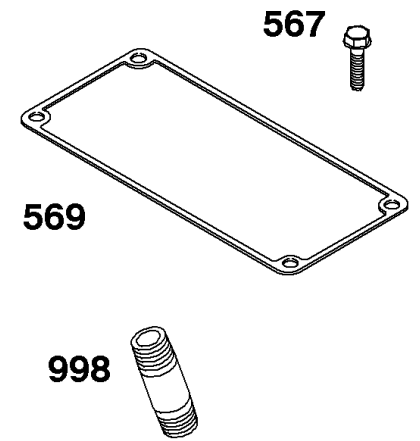
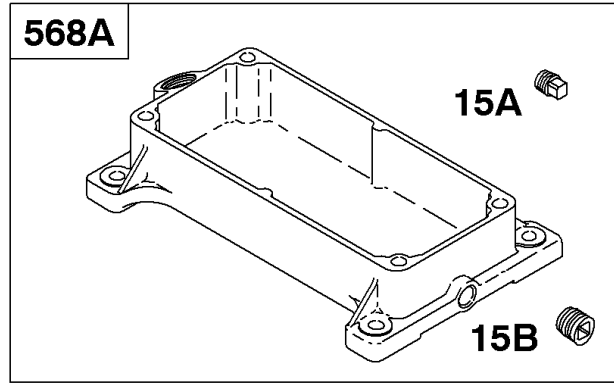
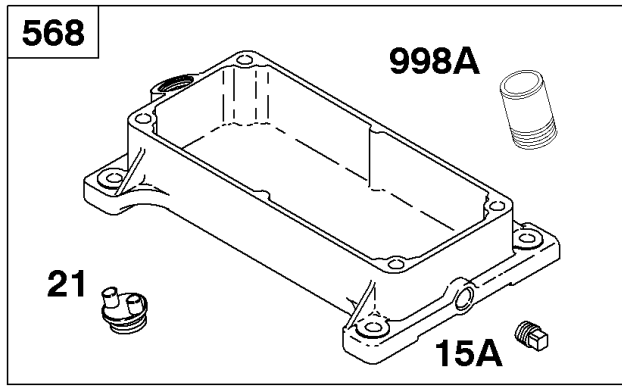
| REF. NO. | PART NO. | DESCRIPTION | REF. NO. | PART NO. | DESCRIPTION | REF. NO. | PART NO. | DESCRIPTION |
|----------|----------|--|----------|----------|----------------------|----------|----------|--------------------------------|
| 309A | | Motor-Starter (For Replacement Starter Motor, See Reference 309, Previous Page) | 503 | 690406 | Strap-Starter | 801 | 394802 | Cap-Drive |
| | | | 510A | 696540 | Drive-Starter | 802A | 395537 | Cap-End |
| | | | 510B | 696535 | Drive-Starter | 803A | 494205 | Housing-Starter |
| | | | 513 | 692024 | Clutch-Drive | 876 | 696539 | Kit-Pinion Spring |
| 310A | 692329 | Screw (Starter Motor) (5" Long) | 544A | 490309 | Armature Starter | 896 | 691641 | Pin-Drive Retainer (Copper) |
| 311A | 395538 | Brush Set | 697 | 691058 | Screw (Drive Cap) | 896A | 94192 | Pin-Drive Retainer (Black) |
| 442 | 691693 | Screw (Starter Strap) | 773A | 391462 | Retainer | | | |
| | | | 783 | 693059 | Gear-Pinion | | | |

Electric Starter 2

| REF NO | PART NO | QTY | DESCRIPTION |
|--------|---------|-----|--|
| 309A | ----- | | Motor-Starter -(For Replacement Starter Motor, Order Reference 309) |
| 310A | 692329 | | BOLT -(Starter Motor) (5) (4 1/2 And 4 3/8 Housing) |
| 311A | 395538 | | SET, Brush -(3 5/8 Housing) |
| 442 | 691693 | | SCREW -(Starter Strap) |
| 503 | 690406 | | STRAP, Starter |
| 510A | 696540 | | DRIVE, Starter |
| 510B | 696535 | | DRIVE, Starter |
| 513 | 692024 | | CLUTCH, Drive |
| 544A | 490309 | | ARMATURE, Starter -(4 1/2 And 4 3/8 Housing) |
| 697 | 691058 | | SCREW -(Drive Cap) |
| 773A | 391462 | | RETAINER |
| 783 | 695708 | | GEAR-PINION |
| 801 | 394802 | | CAP, Drive |
| 802A | 395537 | | CAP, End -(3 5/8 Housing) |
| 803A | 494205 | | HOUSING, Starter -(4 3/8 Housing) |
| 876 | 696539 | | KIT, Pinion Spring |
| 896 | 691641 | | PIN, Drive Retainer -(Copper) |
| 896A | 94192 | | PIN, Drive Retainer -(Black) |

Engine Base

Mfg. No: 326431-0127-99



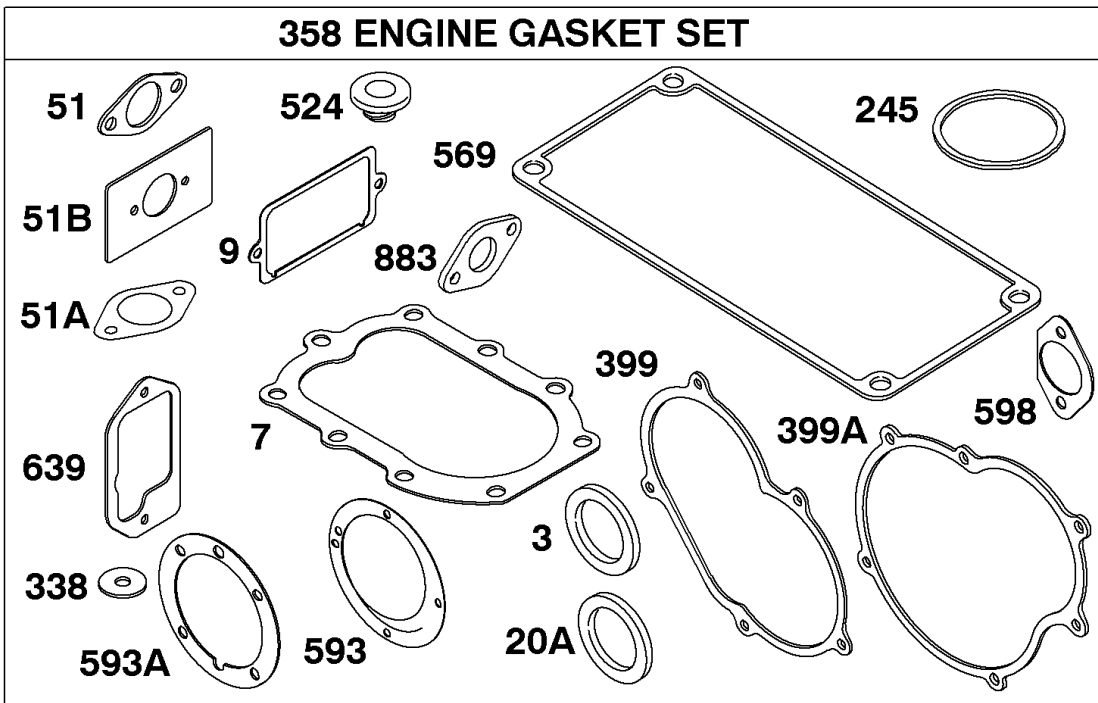
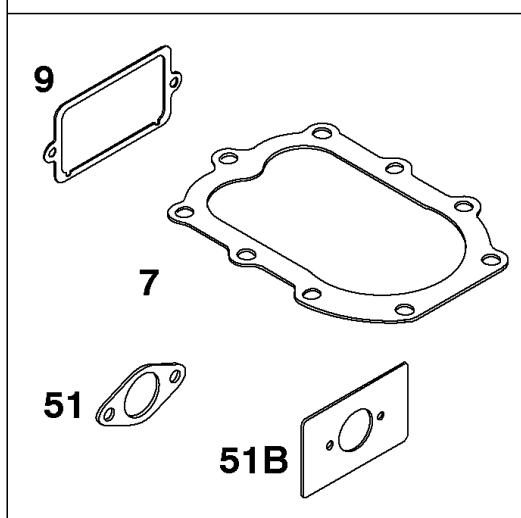
| REF. NO. | PART NO. | DESCRIPTION | REF. NO. | PART NO. | DESCRIPTION | REF. NO. | PART NO. | DESCRIPTION |
|----------|----------|---|----------|----------|--|----------|----------|--------------------|
| 15A | 690946 | Plug-Oil Drain | 568A | 391165 | Base-Engine Used on Type No(s). 0062, 0120, 0121, 0123, 0126, 0127, 0133, 0135, 0136, 0140, 0144, 0149, 0157, 0158, 0162, 0163, 0164, 0165, 0169, 0170, 0172, 0173, 0174, 0178, 0180, 0182, 0183, 0184, 0185, 0186, 0190, 0192, 0198, 0201, 0204, 0205, 0210, 0215, 0222, 0223, 0227, 0228, 0230, 0234, 0235, 0240, 0246, 0248, 0252, 0253, 0254, 0255, 0259, 0262, 0283, 0284, 0291, 0293, 0306, 0308, 0310, 0311, 0312, 0315, 0316, 0326, 0328, 0331, 0333, 0341, 0351, 0354, 0360, 0384, 0392, 0630, 0638, 0647, 0648, 0649, 0659, 0660, 0669, 0673, 0678, 0679, 0686, 0705, 0712, 0723, 0724, 0725, 0726, 0732, 0735, 0737, 0740, 0744, 0750, 0755, 0756, 0759, 0780, 0781, 0786, 2562, 2581, 2582. | 569 | 691569 | Gasket-Engine Base |
| 15B | 691680 | Plug-Oil Drain | | | | 998 | 690307 | Pipe-Oil |
| 21 | 281658S | Cap-Oil Fill | | | | 998A | 690502 | Pipe-Oil |
| 567 | 691104 | Screw (Engine Base) | | | | | | |
| 568 | 294751 | Base-Engine Used on Type No(s). 0020, 0023, 0050, 0139, 0145, 0150, 0151, 0152, 0155, 0159, 0175, 0191, 0199, 0203, 0206, 0208, 0212, 0218, 0219, 0226, 0356, 0804, 2527, 2583. ----- Note ----- 291404 Base- Engine Used on Type No(s). 0134, 0135. | | | | | | |

Engine Base

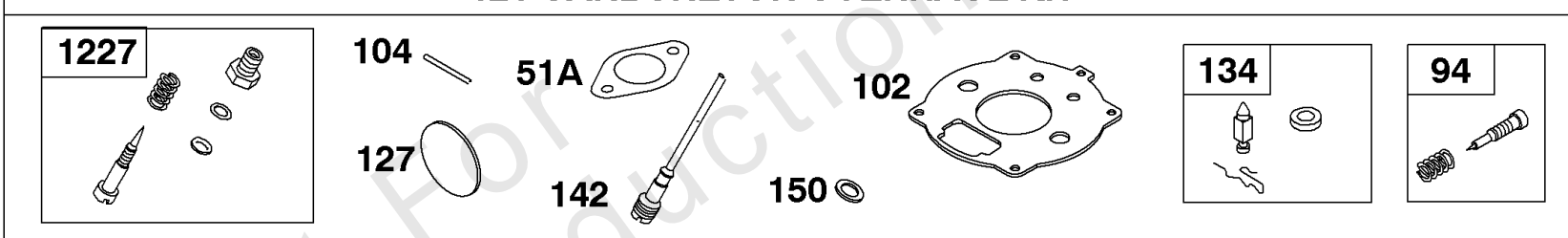
| REF NO | PART NO | QTY | DESCRIPTION |
|--------|---------|-----|-------------------------|
| 15A | 690946 | | PLUG, Oil Drain |
| 15B | 691680 | | PLUG, Oil Drain |
| 21 | 281658S | | CAP-OIL FILL |
| 567 | 691104 | | SCREW -(Engine Base) |
| 568A | 391165 | | SUMP, Engine |
| 569 | 691569 | | GASKET, Crankcase |
| 998 | 690307 | | PIPE, Oil |
| 998A | 690502 | | PIPE, Oil |

Not For Reproduction

1095 VALVE GASKET SET



121 CARBURETOR OVERHAUL KIT

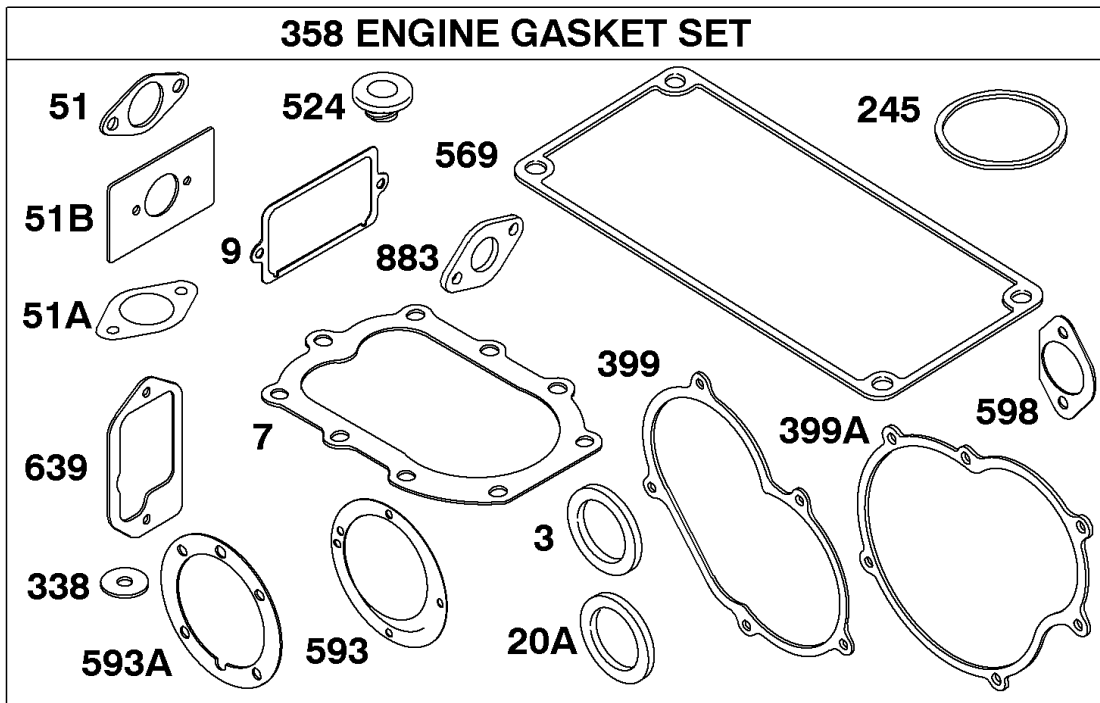
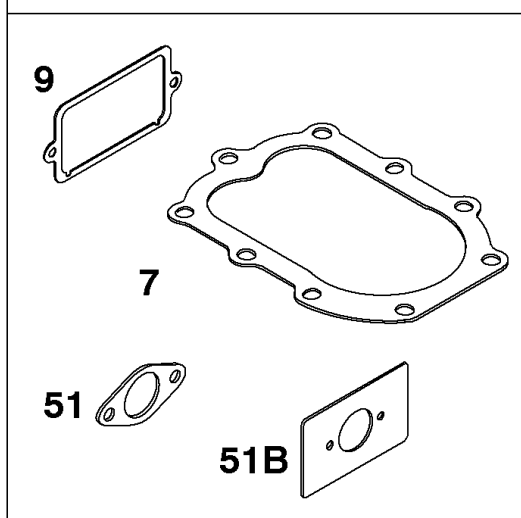


| REF. NO. | PART NO. | DESCRIPTION | REF. NO. | PART NO. | DESCRIPTION | REF. NO. | PART NO. | DESCRIPTION |
|----------|----------|--|----------|----------|---|----------|----------|--|
| 3 | 691948 | Seal-Oil (Magneto Side) | 142 | 691966 | Nozzle-Carburetor (Labeled B) | 598 | 270516 | Shim-End Play (Camshaft Bearing) (.009" Thick) |
| 7 | 272166 | Gasket-Cylinder Head | 150 | 691610 | Gasket-Nozzle | | | ----- Note ----- |
| 9 | 27803S | Gasket-Breather | 245 | 692190 | Gasket-Fuel Bowl | | | 270517 Shim-End Play |
| 20A | 291675S | Seal-Oil (PTO Side) | 338 | 690270 | Gasket-Dipstick | | | (Camshaft Bearing) (.007" Thick) |
| 51 | 27381 | Gasket-Intake | 358 | 299719 | Gasket Set-Engine | | | 270518 Shim-End Play |
| 51A | 692214 | Gasket-Intake | 399 | 691310 | Gasket-Counterweight Cover (Magneto Side) | | | (Camshaft Bearing) (.005" Thick) |
| 51B | 692917 | Gasket-Intake | 399A | 692914 | Gasket-Counterweight Cover (PTO Side) | | | |
| 94 | 292681 | Kit-Idle Mixture | | | | | | |
| 102 | 692215 | Gasket-Carburetor Body | 524 | 281370S | Seal-Dipstick Tube | 639 | 692913 | Gasket-Breaker Box |
| 104 | 691775 | Pin-Float Hinge | 569 | 691569 | Gasket-Engine Base | 883 | 692236 | Gasket-Exhaust |
| 121 | 394989 | Kit-Carburetor Overhaul (Used After Code Date 81090800). ----- Note ----- 391071 Kit-Carburetor Overhaul (Used Before Code Date 81090900). | 593 | 691311 | Gasket-Bearing Support | 1095 | 498540 | Gasket Set-Valve |
| 127 | 690627 | Plug-Welch | 593A | 270513 | Gasket-Bearing Support (.015" Thick) | 1227 | 99525S | Valve-High Speed |
| 134 | 394681 | Kit-Needle/Seat | | | ----- Note ----- 270514 Gasket-Bearing Support (.010" Thick) 270515 Gasket-Bearing Support (.005" Thick) | | | |

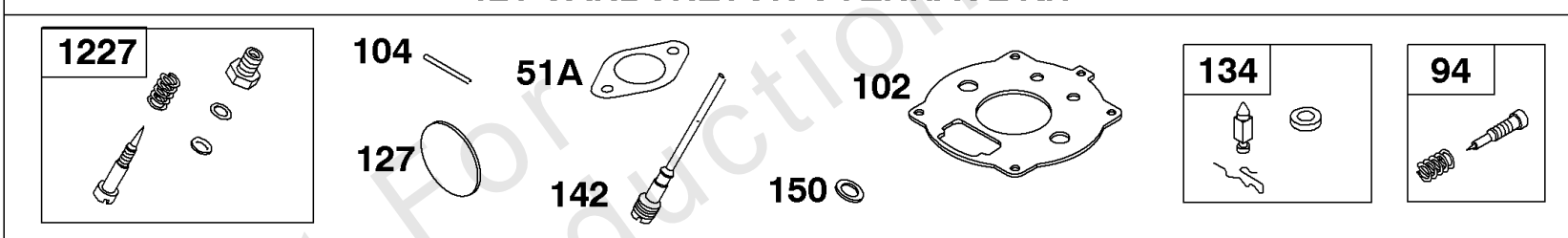
Engine/Valve/Carburetor Gasket Sets

| REF NO | PART NO | QTY | DESCRIPTION |
|--------|---------|-----|---|
| 3 | 691948 | | SEAL, Oil -(Magneto Side) |
| 7 | 692231 | | GASKET, Cylinder Head |
| 9 | 27803S | | GASKET, Breather |
| 20A | 291675S | | SEAL, Oil -(PTO Side) |
| 51 | 27381S | | GASKET, Intake |
| 51A | 692214 | | GASKET, Intake |
| 51B | 692917 | | GASKET, Intake |
| 94 | 292681 | | VALVE, Idle Mixture |
| 102 | 692215 | | GASKET, Carburetor Body |
| 104 | 691775 | | PIN, Float Hinge |
| 121 | 394989 | | KIT, Carburetor Overhaul -Used After Code Date 81090800 |
| 121 | 391071 | | KIT, Carburetor Overhaul -Used Before Code Date 81090900 |
| 127 | 690627 | | PLUG, Welch |
| 134 | 394681 | | KIT, Needle/Seat -(Gravity Feed) |
| 134 | 394682 | | KIT, Needle/Seat -(Includes Brass Seat) |
| 134 | 394683 | | KIT, Needle/Seat -(Includes Brass Seat)(Use With Impulse Pump) |
| 142 | 390950 | | NOZZLE, Carburetor -(Standard) (Labeled 40) -Used Before Code Date 81090900 |
| 142 | 691966 | | NOZZLE, Carburetor -(Standard) (Labeled B) -Used After Code Date 81090800 |
| 150 | 691610 | | GASKET, Nozzle |
| 245 | 692190 | | GASKET, Fuel Bowl |
| 338 | 690270 | | SEAL, O-Ring -(Dipstick Tube) |
| 358 | 299719 | | GASKET SET, Engine |
| 399 | 691310 | | GASKET, Counterweight Cover -(Magneto Side) |
| 399A | 692914 | | GASKET, Counterweight Cover -(PTO Side) |
| 524 | 281370S | | SEAL-DIPSTICK TUBE -(Dipstick Tube) |
| 569 | 691569 | | GASKET, Crankcase |
| 593 | 691311 | | GASKET-CRANKCASE COVER |
| 593A | 270515 | | GASKET, Bearing Support -(.005) |
| 593A | 270514 | | GASKET, Bearing Support -(.010) |
| 593A | 270513 | | GASKET, Bearing Support -(.015) |
| 598 | 270517 | | SHIM, End Play -(Crankshaft or Camshaft Bearing) (.007) |
| 598 | 270518 | | SHIM, End Play -(Crankshaft or Camshaft Bearing) (.005) |
| 598 | 270516 | | SHIM, End Play -(Crankshaft or Camshaft Bearing) (.009) |
| 639 | 692913 | | GASKET, Breaker Box |
| 883 | 692236 | | GASKET, Exhaust |
| 1095 | 498540 | | GASKET SET, Valve |

1095 VALVE GASKET SET



121 CARBURETOR OVERHAUL KIT

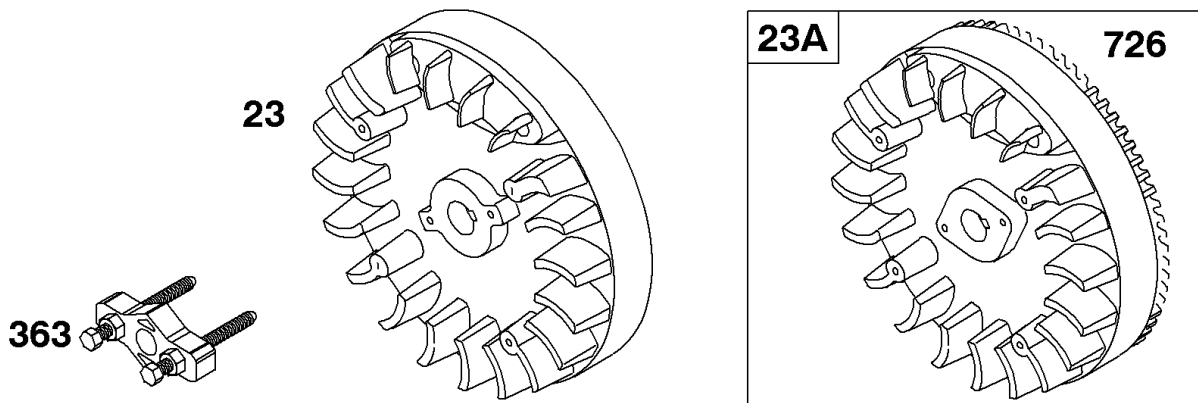


| REF. NO. | PART NO. | DESCRIPTION | REF. NO. | PART NO. | DESCRIPTION | REF. NO. | PART NO. | DESCRIPTION |
|----------|----------|--|----------|----------|---|----------|----------|--|
| 3 | 691948 | Seal-Oil (Magneto Side) | 142 | 691966 | Nozzle-Carburetor (Labeled B) | 598 | 270516 | Shim-End Play (Camshaft Bearing) (.009" Thick) |
| 7 | 272166 | Gasket-Cylinder Head | 150 | 691610 | Gasket-Nozzle | | | ----- Note ----- |
| 9 | 27803S | Gasket-Breather | 245 | 692190 | Gasket-Fuel Bowl | | | 270517 Shim-End Play |
| 20A | 291675S | Seal-Oil (PTO Side) | 338 | 690270 | Gasket-Dipstick | | | (Camshaft Bearing) (.007" Thick) |
| 51 | 27381 | Gasket-Intake | 358 | 299719 | Gasket Set-Engine | | | 270518 Shim-End Play |
| 51A | 692214 | Gasket-Intake | 399 | 691310 | Gasket-Counterweight Cover (Magneto Side) | | | (Camshaft Bearing) (.005" Thick) |
| 51B | 692917 | Gasket-Intake | 399A | 692914 | Gasket-Counterweight Cover (PTO Side) | | | |
| 94 | 292681 | Kit-Idle Mixture | | | | | | |
| 102 | 692215 | Gasket-Carburetor Body | 524 | 281370S | Seal-Dipstick Tube | 639 | 692913 | Gasket-Breaker Box |
| 104 | 691775 | Pin-Float Hinge | 569 | 691569 | Gasket-Engine Base | 883 | 692236 | Gasket-Exhaust |
| 121 | 394989 | Kit-Carburetor Overhaul (Used After Code Date 81090800). ----- Note ----- 391071 Kit-Carburetor Overhaul (Used Before Code Date 81090900). | 593 | 691311 | Gasket-Bearing Support | 1095 | 498540 | Gasket Set-Valve |
| 127 | 690627 | Plug-Welch | 593A | 270513 | Gasket-Bearing Support (.015" Thick) | 1227 | 99525S | Valve-High Speed |
| 134 | 394681 | Kit-Needle/Seat | | | ----- Note ----- 270514 Gasket-Bearing Support (.010" Thick) 270515 Gasket-Bearing Support (.005" Thick) | | | |

Engine/Valve/Carburetor Gasket Sets

| REF NO | PART NO | QTY | DESCRIPTION |
|--------|---------|-----|-------------------|
| 1227 | 99525S | | VALVE, High Speed |

Not For Reproduction

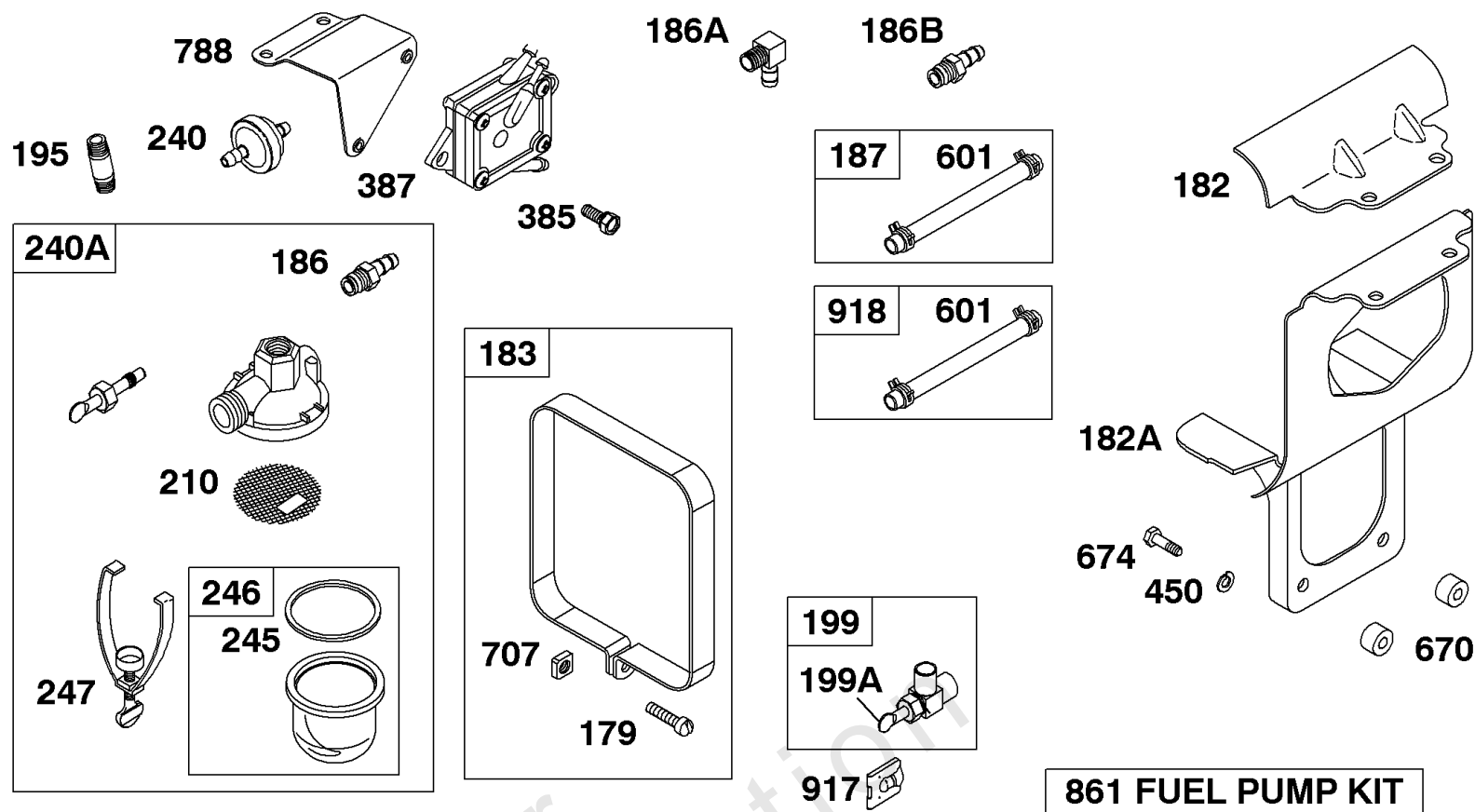


| REF. NO. | PART NO. | DESCRIPTION | REF. NO. | PART NO. | DESCRIPTION | REF. NO. | PART NO. | DESCRIPTION | |
|----------|----------|--|----------|----------|--|----------|----------|---|---|
| 23 | 395250 | Flywheel (For Magnetron Ignition, Identified by Two Red Stripes) Used on Type No(s). 0611, 0620, 0632, 0633, 0635, 0637, 0640, 0641, 0642, 0644, 0645, 0646, 0647, 0648, 0650, 0651, 0652, 0655, 0656, 0657, 0659, 0662, 0664, 0670, 0674, 0677, 0681, 0683, 0686, 0689, 0690, 0691, 0694, 0695, 0696, 0700, 0706, 0709, 0710, 0713, 0717, 0722, 0723, 0727, 0728, 0730, 0734, 0735, 0737, 0739, 0743, 0744, 0745, 0747, 0750, 0755, 0756, 0757, 0759, 0762, 0763, 0766, 0775, 0778, 0780, 0785, 0786, 0790, 0791, 0792, 0793, 0794, 0799, 0801, 0802, 0803, 0804, 2520, 2521, 2522, 2529, 2530, 2550, 2560, 2561, 2562, 2580, 2581, 2582, 2583. | 23A | 395251 | Flywheel (For Magnetron Ignition, Identified by Two Red Stripes) ----- Note ----- Flywheel (NO LONGER AVAILABLE) (For Magnetron Ignition, Identified by Two Red Stripes) Used on Type No(s). 0736. 391363 Flywheel (10 Amp) (Used With Breaker Points and Condenser System) Used on Type No(s). 0027, 0028, 0063, 0115, 0123, 0126, 0135, 0143, 0148, 0149, 0162, 0163, 0164, 0165, 0167, 0168, 0170, 0171, 0172, 0174, 0178, 0180, 0182, 0184, 0185, 0188, 0189, 0192, 0193, 0198, 0201, 0209, 0210, 0211, 0213, 0215, 0217, 0221, 0222, 0224, 0229, 0230, 0231, 0234, 0235, 0236, 0238, 0240, 0248, 0249, 0250, 0251, 0252, 0257, 0261, 0262, 0265, 0271, 0273, 0274, 0275, 0276, 0277, 0278, 0279, 0281, | | | | 0282, 0283, 0284, 0285, 0286, 0287, 0288, 0296, 0298, 0303, 0304, 0306, 0307, 0309, 0310, 0311, 0315, 0316, 0317, 0318, 0319, 0320, 0321, 0322, 0323, 0324, 0325, 0326, 0328, 0330, 0331, 0332, 0333, 0334, 0337, 0338, 0340, 0343, 0347, 0348, 0349, 0350, 0351, 0353, 0355, 0358, 0359, 0360, 0363, 0364, 0367, 0370, 0371, 0372, 0374, 0375, 0376, 0377, 0378, 0379, 0381, 0382, 0383, 0388, 0389, 0392, 0394, 0399. |
| | 363 | 19203 | | | | | | Puller-Flywheel | |
| | | | | | | 726 | 391362 | Gear-Ring (Includes Mounting Hardware) | |

Flywheels

| REF NO | PART NO | QTY | DESCRIPTION |
|--------|---------|-----|--|
| 23A | 395251 | | FLYWHEEL -(Magnetron Ignition, Identified by Two Red Stripes) |
| 363 | 19203 | | PULLER, Flywheel |
| 726 | 391362 | | GEAR, Ring -(Includes Mounting Hardware) |

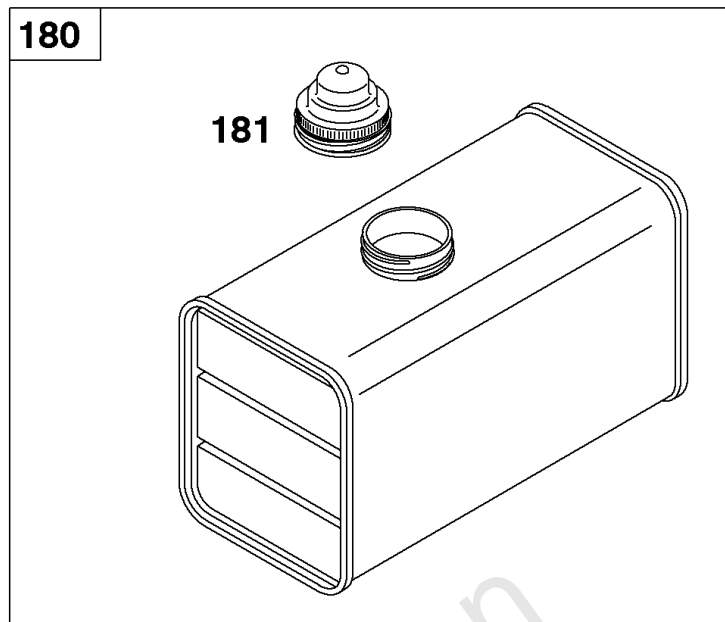
Not For Reproduction



| REF. NO. | PART NO. | DESCRIPTION | REF. NO. | PART NO. | DESCRIPTION | REF. NO. | PART NO. | DESCRIPTION |
|----------|----------|--|----------|----------|---|----------|----------|---|
| 179 | 690280 | Screw (Fuel Tank Strap) | 187 | 499167 | Line-Fuel (Cut to Required Length) | 387 | 808656 | Pump-Fuel |
| 182 | 691068 | Bracket-Fuel Tank | | | | 450 | 691075 | Washer (Fuel Tank Bracket) |
| | | ----- Note ----- | | | ----- Note ----- | 601 | 791850 | Clamp-Hose |
| | | 222669 Bracket-Fuel Tank | | | 89248 Line-Fuel (2 1/4" Long) | 670 | 690505 | Spacer-Fuel Tank |
| | | Used on Type No(s). 0205, 0291, 0648. | | | Used on Type No(s). 0080, 0386, 0387, 0393, 0395, 0396, 0397, 0631, 0640, 0641, 0662, 2580. | 674 | 690303 | Screw (Fuel Tank Bracket) |
| 182A | 690262 | Bracket-Fuel Tank | | | | 707 | 690279 | Nut (Fuel Tank Strap) |
| 183 | 691937 | Strap-Fuel Tank | | | | 788 | 224123 | Bracket-Fuel Pump |
| | | ----- Note ----- | | | | 861 | 394462 | Kit-Fuel Pump (Walbro) |
| | | 291367 Strap-Fuel Tank (4 Quart) Used on Type No(s). 0206, 0211, 0213, 0229, 0271. | 195 | 91635 | Nipple-Fuel | | | ----- Note ----- |
| 186 | 691764 | Connector-Hose | 199 | 692302 | Valve-Fuel Shut Off | | | 791885 Kit-Fuel Pump Used on Type No(s). 0170, 0182, 0198, 0248, 0309, 0331, 0638, 0679, 0744, 0755, 0759. |
| 186A | 691609 | Connector-Hose | 199A | 691940 | Valve-Fuel Shut Off | 917 | 691737 | Handle-Shut Off Valve |
| 186B | 231238 | Connector-Hose | 210 | 691962 | Strainer-Fuel | 918 | 393815 | Hose-Vacuum (Cylinder To Impulse Pump) (Cut to Required Length) |
| | | | 240 | 298090S | Filter-Fuel | | | |
| | | | | | ----- Note ----- | | | |
| | | | 240A | 690612 | Filter-Fuel | | | |
| | | | 245 | 692190 | Gasket-Fuel Bowl | | | |
| | | | 246 | 298683 | Bowl-Fuel Filter | | | |
| | | | 247 | 691700 | Yoke-Bowl | | | |
| | | | 385 | 692198 | Screw (Fuel Pump) | | | |

Fuel Pump, Fuel Filter

| REF NO | PART NO | QTY | DESCRIPTION |
|--------|---------|-----|---|
| 179 | 690280 | | SCREW -(Fuel Tank Strap) |
| 182 | 691068 | | BRACKET, Fuel Tank |
| 182A | 690262 | | BRACKET, Fuel Tank |
| 183 | 691937 | | STRAP-FUEL TANK |
| 186 | 691764 | | CONNECTOR-HOSE -(Pulse Line) |
| 186A | 691609 | | CONNECTOR, Hose |
| 186B | 231238 | | CONNECTOR, Hose -(Metal Fuel Pipe) |
| 187 | 499167 | | LINE, Fuel -(Cut To Required Length) |
| 195 | 91635 | | NIPPLE, Fuel |
| 199 | 692302 | | VALVE, Fuel Shut Off -(Metal) |
| 199A | 691940 | | VALVE, Fuel Shut Off -(Metal) |
| 210 | 691962 | | STRAINER, Fuel |
| 240 | 298090S | | FILTER, Fuel |
| 240A | 690612 | | FILTER-FUEL |
| 245 | 692190 | | GASKET, Fuel Bowl |
| 246 | 298683 | | BOWL, Fuel Filter |
| 247 | 691700 | | YOKE, Bowl |
| 385 | 692198 | | SCREW -(Fuel Pump) |
| 387 | 808656 | | PUMP, Fuel |
| 450 | 691075 | | WASHER -(Fuel Tank Bracket) |
| 601 | 791850 | | CLAMP, Hose |
| 670 | 690505 | | SPACER, Fuel Tank |
| 674 | 690303 | | SCREW -(Fuel Tank Bracket) |
| 707 | 690279 | | NUT -(Fuel Tank Strap) |
| 788 | 224123 | | BRACKET, Fuel Pump |
| 861 | 394462 | | KIT, Fuel Pump -(Walbro)(Pump Reference 387A Only) |
| 917 | 691737 | | VALVE, Handle Shutoff |
| 918 | 393815 | | HOSE, Vacuum -(Cylinder To Impulse Pump)(Cut to Required Length) |

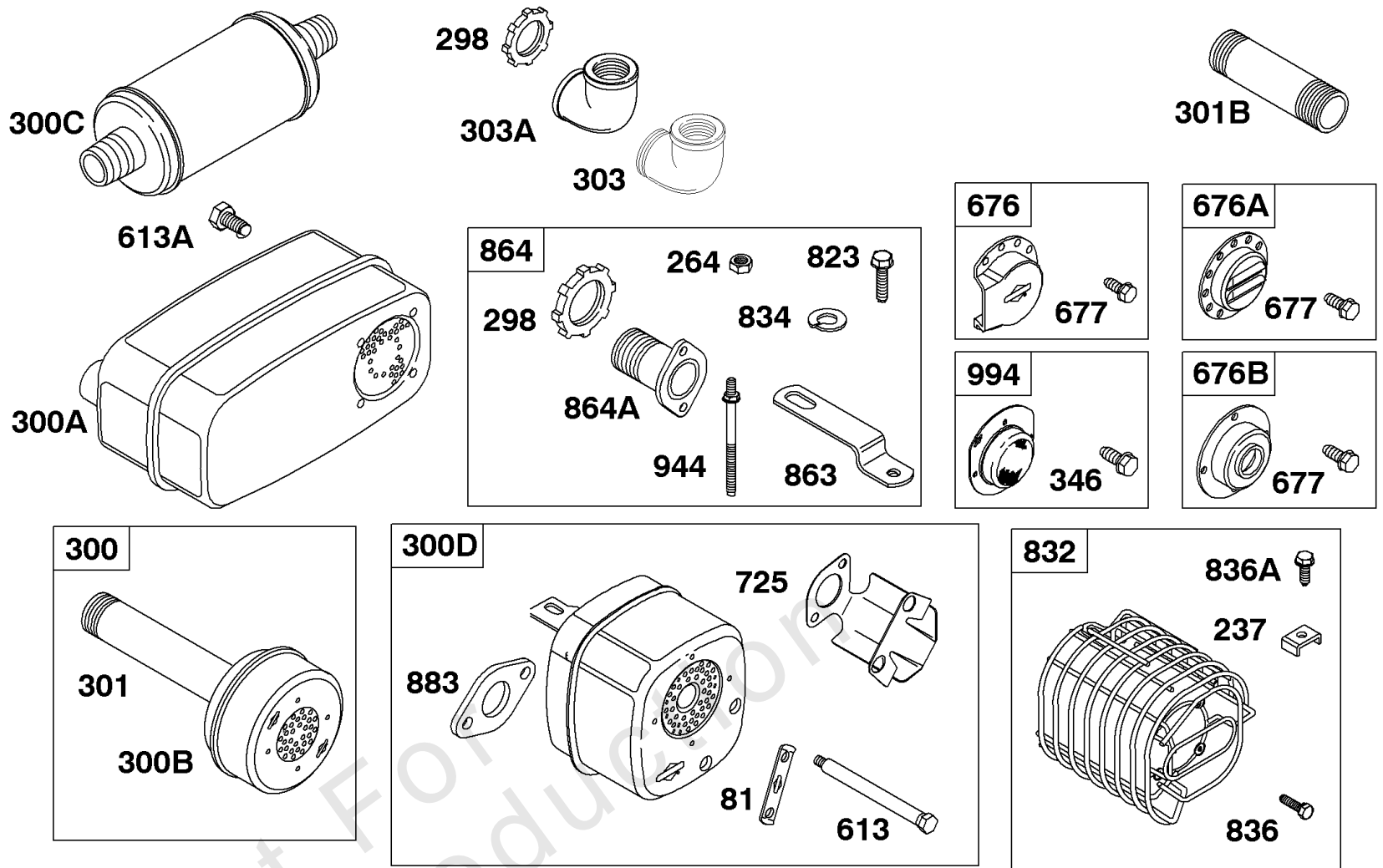


| REF. NO. | PART NO. | DESCRIPTION | REF. NO. | PART NO. | DESCRIPTION | REF. NO. | PART NO. | DESCRIPTION |
|----------|----------|--|----------|----------|--|----------|----------|---------------------------|
| 180 | 291488 | Tank-Fuel (6 Quart) ----- Note ----- 290816 Tank-Fuel (4 Quart) 292415 Fuel Tank (8 Quart) Used on Type No(s). 0137, 0140, 0141, 0143, 0148, 0151, 0152, 0153, 0156, 0162, 0163, 0167, 0172, 0173, 0175, 0176, 0178, 0180, 0181, 0183, 0185, 0186, 0197, 0199, 0201, 0203, 0205, 0212, 0215, 0219, 0226, 0227, 0242, 0245, 0249, 0254, 0255, 0257, 0259, 0273, 0282, 0284, 0286, 0289, 0291, 0293, 0300, 0303, 0307, 0311, 0318, | | | 0330, 0336, 0347, 0354, 0369, 0372, 0376, 0377, 0381, 0384, 0392, 0635, 0640, 0647, 0648, 0657, 0659, 0661, 0664, 0666, 0674, 0682, 0685, 0690, 0694, 0696, 0697, 0698, 0704, 0712, 0714, 0721, 0723, 0729, 0730, 0743, 0745, 0746, 0754, 0757, 0771, 0772. | 181 | 791545 | Cap-Fuel Tank (Chrome) |

Fuel Tank

| REF NO | PART NO | QTY | DESCRIPTION |
|--------|---------|-----|------------------------------------|
| 180 | 290816 | | TANK, Fuel -(Metal) (4 Quart) |
| 180 | 291488 | | TANK, Fuel -(Metal) (6 Quart) |
| 181 | 791545 | | CAP-FUEL TANK -(Metal) (Chrome) |

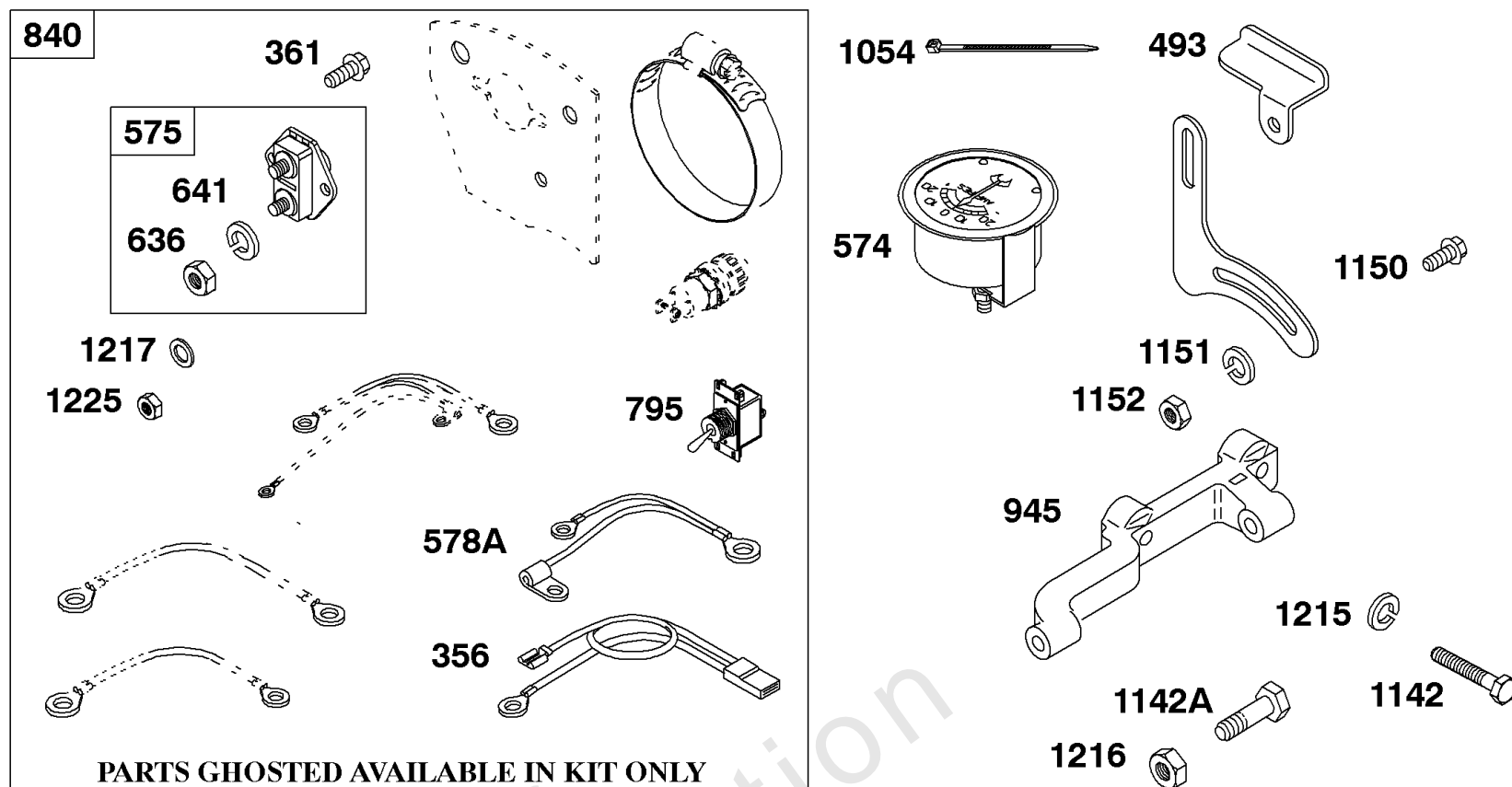
Not For Reproduction



| REF. NO. | PART NO. | DESCRIPTION | REF. NO. | PART NO. | DESCRIPTION | REF. NO. | PART NO. | DESCRIPTION |
|----------|----------|--|----------|----------|---|----------|----------|-----------------------------------|
| 81 | 691178 | Lock-Muffler Screw | 303 | 690281 | Elbow-Exhaust (1", 90 Degree) | 676 | 393761 | Deflector-Muffler |
| 237 | 690409 | Retainer-Muffler Guard | 303A | 91296 | Elbow-Exhaust (1", 90 Degree) | 676A | 397630 | Deflector-Muffler |
| 264 | 691105 | Nut (Muffler Adapter) | | | Used on Type No(s). 0391, 0686, 0726, 0732, 0737, 0744, 0750, 0759, 0781. | 676B | 396903 | Deflector-Muffler |
| 298 | 691808 | Locknut-Muffler/Elbow | | | ----- Note ----- | 677 | 690661 | Screw (Muffler Deflector) |
| 300 | 393232S | Muffler | | | 91415 Elbow-Exhaust (1", 45 Degree) | 725 | 690420 | Shield-Heat |
| 300A | 498984S | Muffler | 346 | 690661 | Screw (Spark Arrestor) | 823 | 690810 | Screw (Muffler Adapter) |
| 300B | 392989 | Muffler | 613 | 691416 | Screw (Muffler) | 832 | 690648 | Guard-Muffler |
| 300C | 291519 | Muffler | 613A | 690297 | Screw (Muffler) (Used After Code Date 97012300). | 834 | 691075 | Washer (Muffler Adapter) |
| 300D | 399635 | Muffler | | | ----- Note ----- | 836 | 691083 | Screw (Muffler Guard) (1" Long) |
| 301 | 93734 | Pipe-Exhaust (8" Long) | | | 692198 Screw (Exhaust Muffler) (Used Before Code Date 97012400). | 836A | 690367 | Screw (Muffler Guard) (2/3" Long) |
| 301B | 91416 | Pipe-Exhaust (1 1/2" Long) Used on Type No(s). 0163, 0327. | | | | 863 | 694016 | Bracket-Muffler |
| | | | | | | 864 | 394584 | Adapter-Muffler |
| | | | | | | 864A | 690637 | Adapter-Muffler |
| | | | | | | 883 | 692236 | Gasket-Exhaust |
| | | | | | | 944 | 691690 | Stud (Muffler Adapter) |
| | | | | | | 994 | 392390 | Arrestor-Spark |

Muffler, Shields

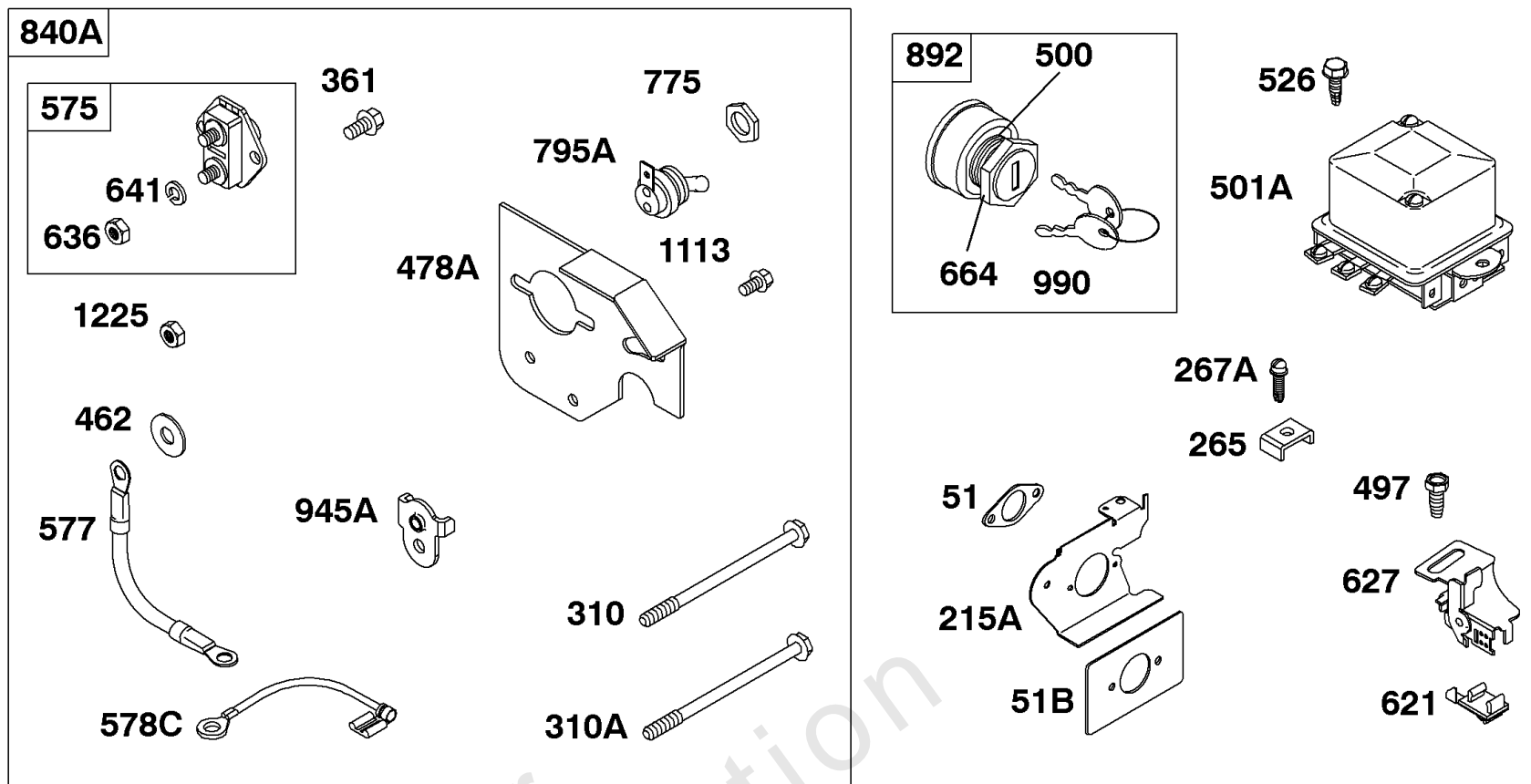
| REF NO | PART NO | QTY | DESCRIPTION |
|--------|---------|-----|--|
| 81 | 691178 | | LOCK, Muffler Screw |
| 237 | 690409 | | RETAINER, Muffler Guard |
| 264 | 691105 | | LOCKNUT -(Muffler Adapter) |
| 298 | 691808 | | LOCKNUT -(Muffler and Elbow) |
| 300 | 393232S | | MUFFLER |
| 300A | 498984S | | MUFFLER |
| 300B | 392989 | | MUFFLER |
| 300C | 291519 | | MUFFLER |
| 300D | 399635 | | MUFFLER -(Square Lo Tone) |
| 301 | 93734 | | ADAPTER, Muffler -(8) |
| 303 | 690281 | | MANIFOLD, Exhaust -(1 90 Degree) |
| 303 | 91415 | | ELBOW, Exhaust -(45 Degree) |
| 346 | 690661 | | SCREW -(Spark Arrestor) |
| 613 | 691416 | | SCREW -(Muffler) |
| 613A | 692198 | | SCREW -(Muffler) -Used Before Code Date 97012400 |
| 613A | 690297 | | SCREW -(Muffler) -Used After Code Date 97012300 |
| 676 | 393761 | | DEFLECTOR, Muffler -(Side Outlet) |
| 676A | 397630 | | DEFLECTOR, Muffler -(Louvered Outlet) |
| 676B | 396903 | | DEFLECTOR, Muffler |
| 677 | 690661 | | SCREW -(Muffler Deflector) |
| 725 | 690420 | | SHIELD, Heat |
| 823 | 690810 | | SCREW -(Muffler Adapter) |
| 832 | 690648 | | GUARD, Muffler |
| 834 | 691075 | | WASHER -(Muffler Adapter) |
| 836 | 691083 | | SCREW -(Muffler Guard) (1) |
| 836A | 690367 | | SCREW -(Muffler Guard) (2/3) |
| 863 | 694016 | | BRACKET, Muffler |
| 864 | 394584 | | ADAPTER, Muffler |
| 864A | 690637 | | ADAPTER, Muffler |
| 883 | 692236 | | GASKET, Exhaust |
| 944 | 691690 | | STUD -(Muffler Adapter) |
| 994 | 392390 | | ARRESTOR, Spark |



| REF. NO. | PART NO. | DESCRIPTION | REF. NO. | PART NO. | DESCRIPTION | REF. NO. | PART NO. | DESCRIPTION |
|----------|----------|---|----------|----------|---|----------|----------|-----------------------------|
| 356 | 398808 | Wire-Stop | 795 | 298590 | Switch-Toggle | 1215 | 691075 | Washer (Starter Bracket) |
| 361 | 93415 | Screw (Starting Switch) | 840 | 298561 | Kit-Panel (Generator Panel) | 1216 | 691105 | Nut (Starter Bracket) |
| 493 | 221933 | Bracket-Mounting | 945 | 211785 | Bracket-Starter Motor | 1217 | 690282 | Washer (Starting Switch) |
| 574 | 295158 | Ammeter (Stewart Warner Number 357-W) | 1054 | 280275 | Tie-Cable | 1225 | 691029 | Nut (Starting Switch) |
| 575 | 692303 | Switch-Starting | 1142 | 690303 | Screw (Starter Motor Bracket) | | | |
| 578A | 298582 | Wire Assembly | 1142A | 691614 | Screw (Starter Motor Bracket) (1 3/4" Long) | | | |
| 636 | 696198 | Nut (Starting Switch) (Terminal) | 1150 | 691058 | Screw (Adjusting Strap) | | | |
| 641 | 691075 | Washer (Starting Switch) (Terminal) | 1151 | 690282 | Washer (Adjusting Strap) | | | |
| | | | 1152 | 691105 | Nut (Adjusting Strap) | | | |

Panel Kit, Gages, Wires

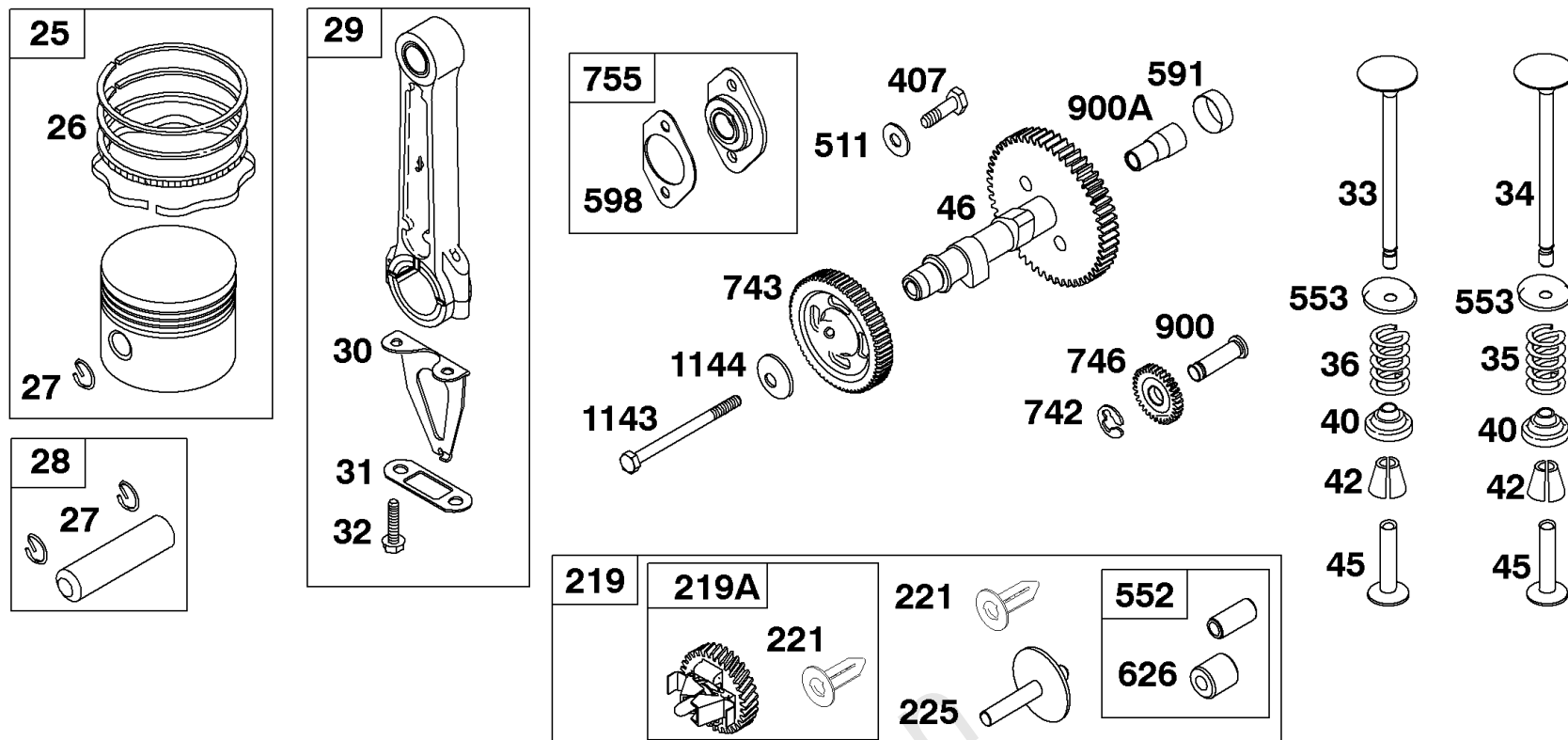
| REF NO | PART NO | QTY | DESCRIPTION |
|--------|---------|-----|---|
| 356 | 398808 | | WIRE, Stop -(Cut To Required Length) |
| 361 | 691681 | | SCREW -(Starting Switch) |
| 493 | 221933 | | BRACKET, Starter Motor |
| 574 | 295158 | | AMMETER -(Stewart Warner Number 357-W) |
| 575 | 692303 | | SWITCH-STARTING |
| 578A | 298582 | | WIRE ASSEMBLY -(2 Wires, 5-7/16, And 3-7/8)(Insulated Support Ring Terminal, Insulated Support Ring Terminal, And Flag Ring Terminal) |
| 578A | 692306 | | WIRE ASSEMBLY |
| 636 | 696198 | | NUT -(Starting Switch) (Terminal) |
| 641 | 691075 | | WASHER -(Starting Switch) (Terminal) |
| 795 | 298590 | | SWITCH, Toggle |
| 840 | 298561 | | KIT, Panel -(Generator Panel) |
| 945 | 211785 | | BRACKET, Starter Motor |
| 1054 | 280275 | | TIE, Cable |
| 1142 | 690303 | | SCREW -(Starter Motor Bracket) |
| 1142A | 691614 | | SCREW -(Starter Motor Bracket) (1 3/4) |
| 1150 | 691058 | | SCREW -(Adjusting Strap) |
| 1151 | 690282 | | WASHER -(Adjusting Strap) |
| 1152 | 691105 | | LOCKNUT -(Adjusting Strap) |
| 1215 | 691075 | | WASHER -(Starter Bracket) |
| 1216 | 691105 | | LOCKNUT -(Starter Bracket) |
| 1217 | 690282 | | WASHER -(Starting Switch) |
| 1225 | 691029 | | NUT -(Starting Switch) |



| REF. NO. | PART NO. | DESCRIPTION | REF. NO. | PART NO. | DESCRIPTION | REF. NO. | PART NO. | DESCRIPTION |
|----------|----------|---|----------|----------|---|----------|----------|----------------------------------|
| 51 | 27381 | Gasket-Intake | 500 | 691086 | Washer (Key Switch) | 775 | 690315 | Nut (Toggle Switch) |
| 51B | 692917 | Gasket-Intake | 501A | 295924 | Regulator (Flat Mount) (Delco Remy No. 1118988) | 795A | 496590 | Switch-Toggle |
| 215A | 291871 | Guide-Air | | | | 840A | 395408 | Kit-Panel (Toggle Switch) |
| 265 | 692179 | Clamp-Casing | | | | | | ----- Note ----- |
| 267A | 93107 | Screw (Casing Clamp) | | | | | | 395409 Kit-Panel (Key Switch) |
| | | ----- Note ----- | | | | | | |
| | | 691044 Screw (Casing Clamp) Used on Type No(s). 0644, 0672. | 526 | 690297 | Screw (Regulator) | 892 | 392833 | Switch-Key |
| 310 | 690323 | Screw (Starter Motor) (4" Long) | 575 | 692303 | Switch-Starting | 945A | 692132 | Bracket-Starter Motor |
| 310A | 692329 | Screw (Starter Motor) (5" Long) | 577 | 690630 | Cable-Starter | 990 | 691959 | Key Set |
| 361 | 93415 | Screw (Starting Switch) | 578C | 690647 | Wire Assembly | 1113 | 691681 | Screw (Panel) |
| 462 | 690282 | Washer (Starter Cable) | 621 | 297472S | Switch-Stop | 1225 | 691029 | Nut (Starting Switch) |
| 478A | 395410 | Panel | 627 | 392884 | Bracket-Stopswitch | | | |
| 497 | 692198 | Screw (Stopswitch Bracket) | 636 | 696198 | Nut (Starting Switch) (Terminal) | | | |
| | | | 641 | 691075 | Washer (Starting Switch) | | | |
| | | | 664 | 691087 | Nut (Key Switch) | | | |

Panel Kit, Regulator, Key Switch

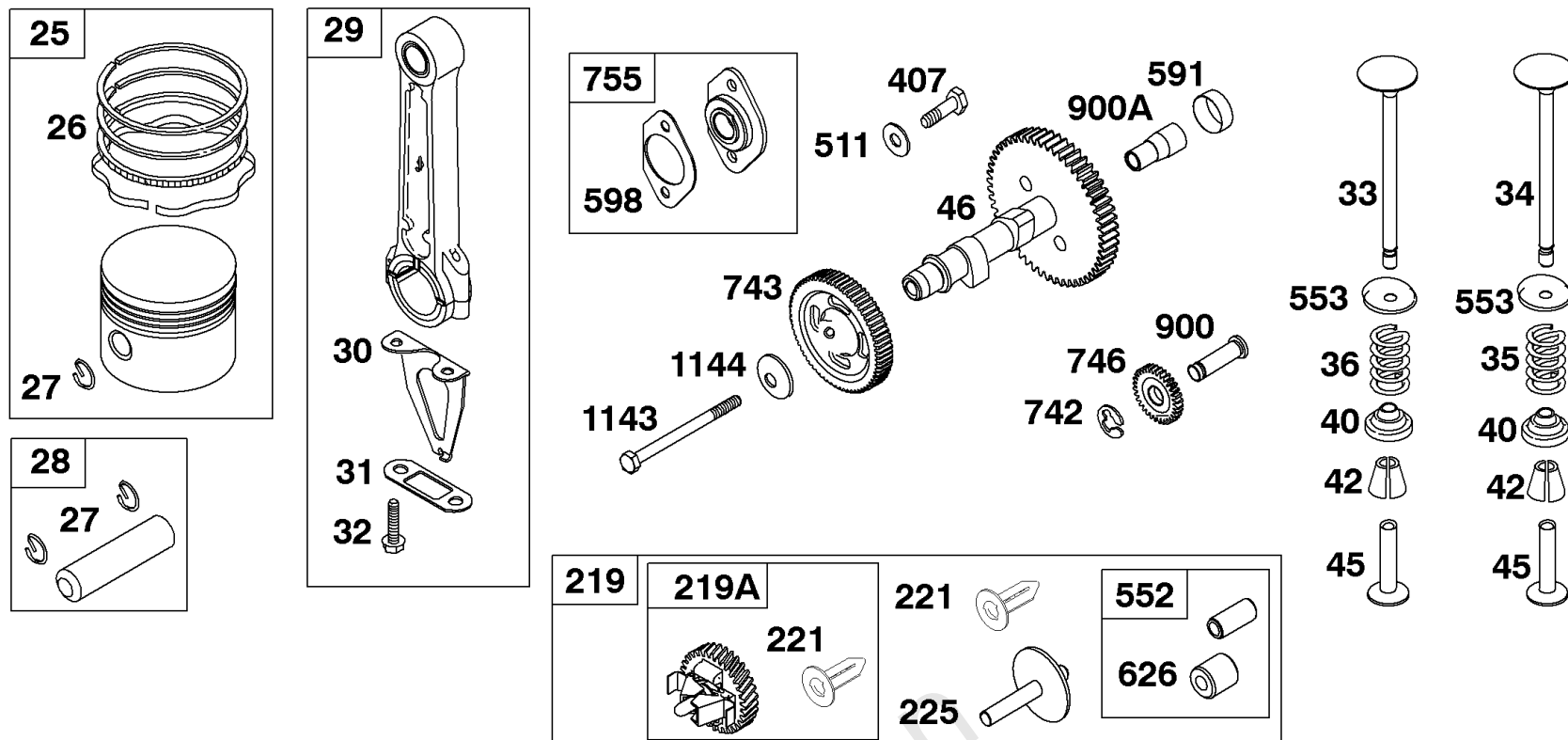
| REF NO | PART NO | QTY | DESCRIPTION |
|--------|---------|-----|--|
| 51 | 27381S | | GASKET, Intake |
| 51B | 692917 | | GASKET, Intake |
| 215A | 291871 | | GUIDE, Air |
| 265 | 692179 | | CLAMP-CASING |
| 267A | 93107 | | SCREW -(Casing Clamp) |
| 310 | 690323 | | SCREW -(Starter Motor) |
| 310A | 692329 | | BOLT -(Starter Motor) (5) (4 1/2 And 4 3/8 Housing) |
| 361 | 691681 | | SCREW -(Starting Switch) |
| 462 | 690282 | | WASHER -(Starter Cable) |
| 478A | 395410 | | KIT, Panel |
| 497 | 692198 | | SCREW -(Stopswitch Bracket) |
| 500 | 691086 | | WASHER -(Key Switch) |
| 526 | 690297 | | SCREW -(Regulator) |
| 575 | 692303 | | SWITCH-STARTING |
| 577 | 690630 | | CABLE, Starter |
| 578C | 690647 | | WIRE ASSEMBLY -(1 Wire, 23)(Insulated-Support Ring Terminal, And Push-OnInsulated-Support Female Blade Terminal) |
| 621 | 297472S | | SWITCH, Stop |
| 627 | 392884 | | BRACKET, Stopswitch |
| 636 | 696198 | | NUT -(Starting Switch) (Terminal) |
| 641 | 691075 | | WASHER -(Starting Switch) (Terminal) |
| 664 | 691087 | | NUT -(Key Switch) |
| 775 | 690315 | | NUT -(Toggle Switch) |
| 795A | 496590 | | SWITCH, Toggle |
| 840A | 395409 | | KIT, Panel -(Key Switch) |
| 840A | 395408 | | KIT, Panel -(Toggle Switch) |
| 892 | 392833 | | SWITCH, Key |
| 945A | 692132 | | BRACKET, Starter Motor |
| 990 | 691959 | | SET, Key |
| 1113 | 691681 | | SCREW -(Panel) |
| 1225 | 691029 | | NUT -(Starting Switch) |



| REF. NO. | PART NO. | DESCRIPTION | REF. NO. | PART NO. | DESCRIPTION | REF. NO. | PART NO. | DESCRIPTION |
|----------|----------|--|----------|----------|--|----------|----------|---|
| 25 | 792365 | Piston Assembly (Standard) ----- Note ----- 792367 Piston Assembly (.020" Oversize) | 32 | 692345 | Screw (Connecting Rod) | 511 | 690402 | Washer (Camshaft Bearing) |
| 26 | 792366 | Ring Set (Standard) ----- Note ----- 792368 Ring Set (.020" Oversize) | 33 | 394436 | Valve-Exhaust | 552 | 393666 | Bushing-Governor Crank |
| 27 | 691792 | Lock-Piston Pin | 34 | 394435 | Valve-Intake | 553 | 690269 | Retainer-Valve Spring |
| 28 | 299691 | Pin-Piston (Standard) ----- Note ----- 391286 Pin-Piston (.005" Oversize) | 35 | 691597 | Spring-Valve (Intake) | 591 | 691746 | Plug-Camshaft |
| 29 | 299632 | Rod-Connecting (Standard) ----- Note ----- 390306 Rod-Connecting (.020" Undersize) | 36 | 691597 | Spring-Valve (Exhaust) | 598 | 270516 | Shim-End Play (Camshaft Bearing) (.009" Thick) ----- Note ----- 270517 Shim-End Play (Camshaft Bearing) (.007" Thick) 270518 Shim-End Play (Camshaft Bearing) (.005" Thick) |
| 30 | 691726 | Dipper-Connecting Rod | 40 | 691939 | Retainer-Valve ----- Note ----- 690274 Retainer-Valve | 626 | 690512 | Spacer-Governor Crank |
| 31 | 690396 | Lock-Rod Screw | 42 | 494553 | Keeper-Valve (Used After Code Date 80111200). ----- Note ----- 68283 Keeper-Valve (Used Before Code Date 80111300). | 742 | 691080 | Retainer-E Ring |
| | | | 45 | 691594 | Tappet-Valve | 743 | 691153 | Gear-Drive |
| | | | 46 | 692855 | Camshaft | 746 | 691803 | Gear-Idler |
| | | | 219 | 291192 | Gear-Governor (Used Before Code Date 78062000). | 755 | 299706 | Bearing-Camshaft |
| | | | 219A | 393720 | Gear-Governor | 900 | 691767 | Shaft-Gear |
| | | | 221 | 841026 | Cup-Governor | 900A | 691768 | Shaft-Gear |
| | | | 225 | 691357 | Shaft-Governor Gear | 1143 | 691081 | Screw (Drive Gear Cover) |
| | | | 407 | 690810 | Screw (Camshaft Bearing) | 1144 | 690301 | Washer (Drive Gear Cover) |

Piston, Rings, Connecting Rod, Camshaft, Valves

| REF NO | PART NO | QTY | DESCRIPTION |
|--------|---------|-----|---|
| 1 | 395663 | | CYLINDER ASSEMBLY |
| 25 | 792365 | | PISTON ASSEMBLY -(Standard) |
| 25 | 792367 | | PISTON ASSEMBLY -(.020 Oversize) |
| 26 | 792366 | | SET, Ring -(Standard)(Chrome) |
| 26 | 792368 | | SET, Ring -(.020 Oversize) |
| 27 | 691792 | | LOCK, Piston Pin |
| 28 | 299691 | | PIN, Piston -(Standard) |
| 28 | 391286 | | PIN, Piston -(.005 Oversize) |
| 29 | 390306 | | ROD, Connecting -(.020 Undersize) |
| 29 | 299632 | | ROD, Connecting -(Standard) |
| 30 | 691726 | | DIPPER, Connecting Rod |
| 31 | 690396 | | LOCK, Rod Screw |
| 32 | 692345 | | SCREW -(Connecting Rod) |
| 33 | 394436 | | VALVE, Exhaust |
| 34 | 394435 | | VALVE, Intake |
| 35 | 691597 | | SPRING, Valve -(Intake) |
| 36 | 691597 | | SPRING, Valve -(Exhaust) |
| 40 | 691939 | | RETAINER-VALVE -(Exhaust) |
| 42 | 494553 | | KEEPER, Valve -(Exhaust) -Used After Code Date 80111200 |
| 42 | 68283 | | RETAINER, Valve -Used Before Code Date 80111300 |
| 45 | 691594 | | TAPPET, Valve |
| 46 | 692855 | | CAMSHAFT |
| 219 | 291192 | | GEAR, Governor -Used Before Code Date 78062000 |
| 219A | 393720 | | GEAR, Governor |
| 221 | 841026 | | CUP, Governor |
| 225 | 691357 | | SHAFT, Governor Gear |
| 407 | 690810 | | SCREW -(Camshaft Bearing) |
| 511 | 690402 | | WASHER -(Camshaft Bearing) |
| 552 | 393666 | | BUSHING, Governor Crank |
| 553 | 690269 | | RETAINER, Valve |
| 591 | 691746 | | PLUG, Camshaft |
| 598 | 270517 | | SHIM, End Play -(Crankshaft or Camshaft Bearing) (.007) |
| 598 | 270518 | | SHIM, End Play -(Crankshaft or Camshaft Bearing) (.005) |
| 598 | 270516 | | SHIM, End Play -(Crankshaft or Camshaft Bearing) (.009) |
| 626 | 690512 | | SPACER -(Governor Lever) |
| 742 | 691080 | | RETAINER, E Ring |

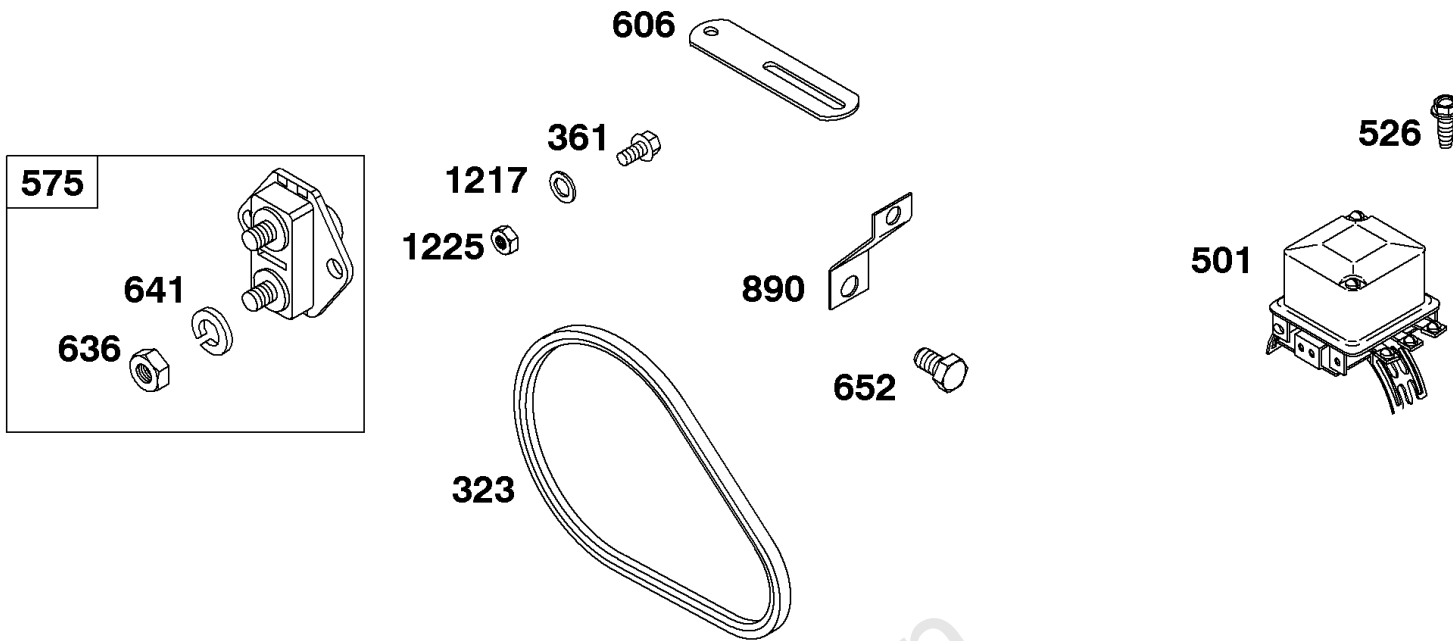


| REF. NO. | PART NO. | DESCRIPTION | REF. NO. | PART NO. | DESCRIPTION | REF. NO. | PART NO. | DESCRIPTION |
|----------|----------|--|----------|----------|--|----------|----------|---|
| 25 | 792365 | Piston Assembly (Standard) ----- Note ----- 792367 Piston Assembly (.020" Oversize) | 32 | 692345 | Screw (Connecting Rod) | 511 | 690402 | Washer (Camshaft Bearing) |
| 26 | 792366 | Ring Set (Standard) ----- Note ----- 792368 Ring Set (.020" Oversize) | 33 | 394436 | Valve-Exhaust | 552 | 393666 | Bushing-Governor Crank |
| 27 | 691792 | Lock-Piston Pin | 34 | 394435 | Valve-Intake | 553 | 690269 | Retainer-Valve Spring |
| 28 | 299691 | Pin-Piston (Standard) ----- Note ----- 391286 Pin-Piston (.005" Oversize) | 35 | 691597 | Spring-Valve (Intake) | 591 | 691746 | Plug-Camshaft |
| 29 | 299632 | Rod-Connecting (Standard) ----- Note ----- 390306 Rod-Connecting (.020" Undersize) | 36 | 691597 | Spring-Valve (Exhaust) | 598 | 270516 | Shim-End Play (Camshaft Bearing) (.009" Thick) ----- Note ----- 270517 Shim-End Play (Camshaft Bearing) (.007" Thick) 270518 Shim-End Play (Camshaft Bearing) (.005" Thick) |
| 30 | 691726 | Dipper-Connecting Rod | 40 | 691939 | Retainer-Valve ----- Note ----- 690274 Retainer-Valve | 626 | 690512 | Spacer-Governor Crank |
| 31 | 690396 | Lock-Rod Screw | 42 | 494553 | Keeper-Valve (Used After Code Date 80111200). ----- Note ----- 68283 Keeper-Valve (Used Before Code Date 80111300). | 742 | 691080 | Retainer-E Ring |
| | | | 45 | 691594 | Tappet-Valve | 743 | 691153 | Gear-Drive |
| | | | 46 | 692855 | Camshaft | 746 | 691803 | Gear-Idler |
| | | | 219 | 291192 | Gear-Governor (Used Before Code Date 78062000). | 755 | 299706 | Bearing-Camshaft |
| | | | 219A | 393720 | Gear-Governor | 900 | 691767 | Shaft-Gear |
| | | | 221 | 841026 | Cup-Governor | 900A | 691768 | Shaft-Gear |
| | | | 225 | 691357 | Shaft-Governor Gear | 1143 | 691081 | Screw (Drive Gear Cover) |
| | | | 407 | 690810 | Screw (Camshaft Bearing) | 1144 | 690301 | Washer (Drive Gear Cover) |

Piston, Rings, Connecting Rod, Camshaft, Valves

| REF NO | PART NO | QTY | DESCRIPTION |
|--------|---------|-----|-------------------------------|
| 743 | 691153 | | GEAR, Drive |
| 746 | 691803 | | GEAR, Idler |
| 755 | 299706 | | BEARING, Camshaft |
| 900 | 691767 | | SHAFT, Gear |
| 900A | 691768 | | SHAFT, Gear |
| 1143 | 691081 | | SCREW -(Drive Gear Cover) |
| 1144 | 690301 | | WASHER -(Drive Gear Cover) |

Not For Reproduction



| REF. NO. | PART NO. | DESCRIPTION | REF. NO. | PART NO. | DESCRIPTION | REF. NO. | PART NO. | DESCRIPTION |
|----------|----------|--|----------|----------|---|----------|----------|-----------------------------|
| 323 | 68898 | Belt-Vee (For Low Position Mounting) (35 3/4" Long) ----- Note ----- 68878 Belt-Vee (For High Position Mounting) (36 3/4" Long) | 526 | 690297 | Screw (Regulator) | 890 | 221472 | Bracket-Support |
| 361 | 691681 | Screw (Starting Switch) | 575 | 692303 | Switch-Starting | 1217 | 690282 | Washer (Starting Switch) |
| 501 | 297196 | Regulator (Saddle Mount) (Delco Remy Number 1119577) | 606 | 221442 | Strap-Adjusting | 1225 | 691029 | Nut (Starting Switch) |
| | | | 636 | 696198 | Nut (Starting Switch) (Terminal) | | | |
| | | | 641 | 691075 | Washer (Starting Switch) (Terminal) | | | |
| | | | 652 | 693972 | Screw (Support Bracket) | | | |

Regulator, Vee Belt

| REF NO | PART NO | QTY | DESCRIPTION |
|--------|---------|-----|---|
| 323 | 68878 | | BELT, Vee -(High Position)(36 3/4) |
| 323 | 68898 | | BELT, Vee -(Low Position)(35 3/4) |
| 361 | 691681 | | SCREW -(Starting Switch) |
| 501 | 297196 | | REGULATOR -(Saddle Mount)(Delco Remy Number 1119577) |
| 526 | 690297 | | SCREW -(Regulator) |
| 575 | 692303 | | SWITCH-STARTING |
| 606 | 221442 | | STRAP, Adjusting |
| 636 | 696198 | | NUT -(Starting Switch) (Terminal) |
| 641 | 691075 | | WASHER -(Starting Switch) (Terminal) |
| 652 | 693972 | | SCREW -(Support Bracket) |
| 890 | 221472 | | BRACKET, Support |
| 1217 | 690282 | | WASHER -(Starting Switch) |
| 1225 | 691029 | | NUT -(Starting Switch) |

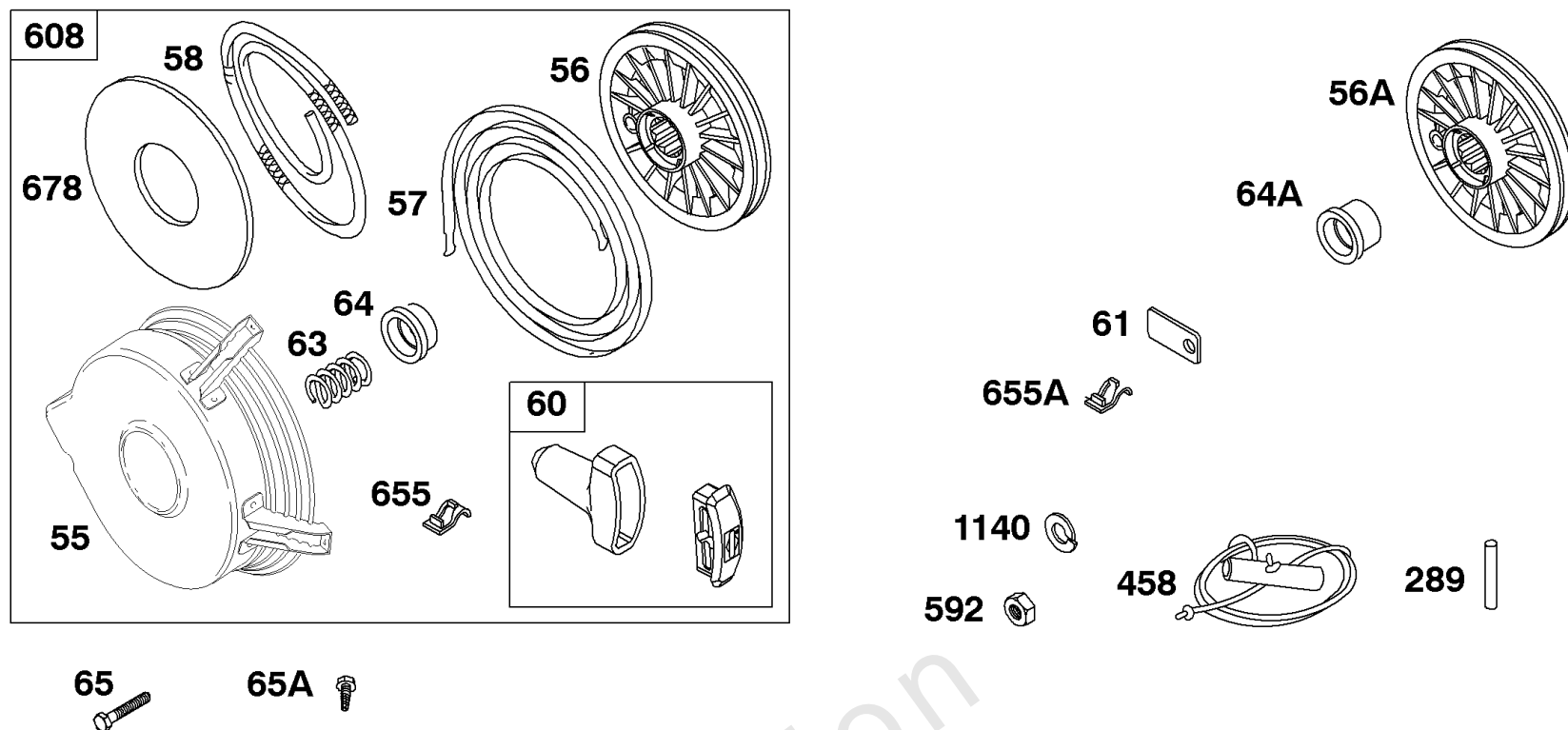
Replacement Engine - US & Canada

| REF NO | PART NO | QTY | DESCRIPTION |
|--------|---------|-----|--|
| ----- | | | No engine replacement. Repair engine with individual parts. |
| ----- | | | Top No-Load Speed: 3600 -Trim: 01 |
| ----- | | | Service Note: For all Go-Karts use only a Model 136200 series engine as a replacement, regardless of the original Model. |

Not For Reproduction

Rewind Starter, Rope

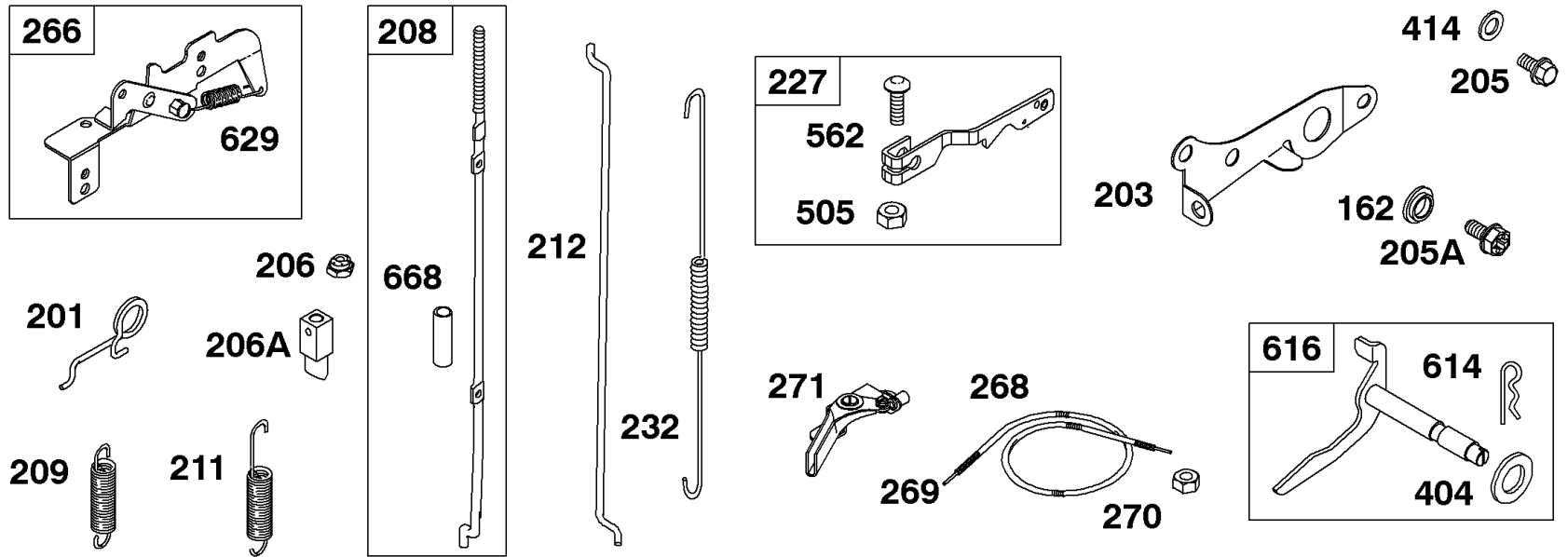
Mfg. No: 326431-0127-99



| REF. NO. | PART NO. | DESCRIPTION | REF. NO. | PART NO. | DESCRIPTION | REF. NO. | PART NO. | DESCRIPTION |
|----------|----------|---|----------|----------|--|----------|----------|--|
| 55 | 691355 | Housing-Rewind Starter (Low Profile) | | 66574 | Rope-Starter (99" Long) (Cut to Required Length) (Use With Metal Pulley) | 289 | 230228S | Pin-Starter Grip |
| 56 | 392630 | Pulley-Starter (Low Profile) | | | | 458 | 69932S | Kit-Handle/Rope |
| 56A | 295871 | Pulley-Starter (Wide Legs Starter Housing, Includes 63" Rope) | | | | 592 | 690276 | Nut (Rewind Starter) |
| 57 | 490179 | Spring-Rewind Starter | 60 | 490652 | Grip-Starter Rope | 608 | 691958 | Starter-Rewind |
| 58 | 692188 | Rope-Starter (63" Long) (Use With Plastic Pulley) | 61 | 68848S | Bumper-Starter Pulley (Wide Legs Starter Housing) | 655 | 691734 | Anchor-Rewind Spring |
| | | ----- Note ----- | 63 | 690547 | Spring-Ratchet | 655A | 221014 | Anchor-Rewind Spring (Wide Legs Starter Housing) |
| | | 695002 Rope-Starter (99" Long) (Cut to Required Length) (Use With Plastic Pulley) | 64 | 690511 | Adapter-Ratchet Spring (Low Profile) | 678 | 490817 | Spacer-Rewind |
| | | 66564 Rope-Starter (63" Long) (Use With Metal Pulley) | 64A | 691920 | Adapter-Ratchet Spring (Wide Legs Starter Housing) | 1140 | 690286 | Washer (Rewind Starter) |
| | | | 65 | 691693 | Screw (Rewind Starter) (3/8" Long) | | | |
| | | | 65A | 93254 | Screw (Rewind Starter) (7/16" Long) | | | |

Rewind Starter, Rope

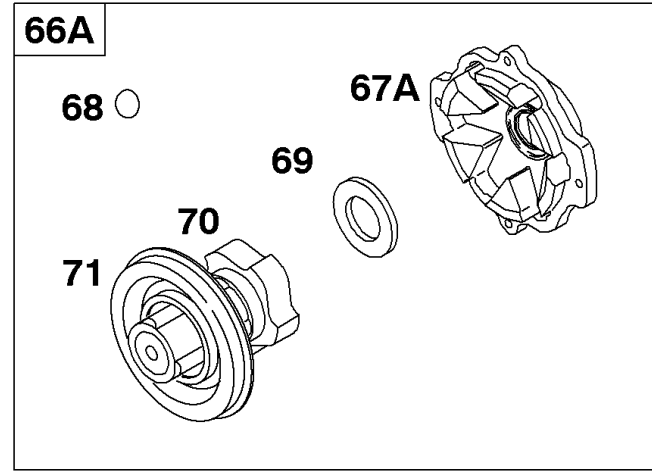
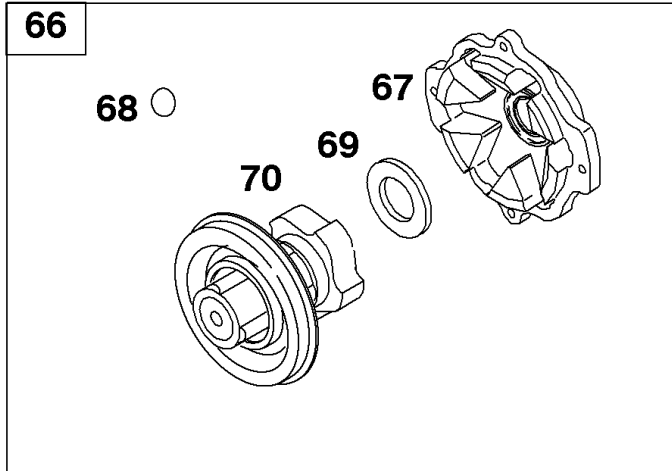
| REF NO | PART NO | QTY | DESCRIPTION |
|--------|---------|-----|--|
| 55 | 691355 | | HOUSING, Rewind Starter -(Low Profile) |
| 56 | 392630 | | PULLEY, Starter -(Low Profile) |
| 56A | 295871 | | PULLEY, Starter -(Wide Legs Starter Housing, Includes 63 Rope) |
| 57 | 490179 | | SPRING-REWIND STR |
| 58 | 66574 | | ROPE, Starter -(99)(Cut to Required Length)(Use With Metal Pulley) |
| 58 | 692188 | | ROPE, Starter -(63)(Use With Plastic Pulley) |
| 58 | 695002 | | ROPE, Starter -(99)(Cut to Required Length)(Use With Plastic Pulley) |
| 58 | 66564 | | ROPE, Starter -(63)(Use With Metal Pulley) |
| 60 | 490652 | | GRIP-STARTER ROPE |
| 61 | 68848S | | BUMPER, Starter Pulley -(Wide Legs Starter Housing) |
| 63 | 690547 | | SPRING, Ratchet |
| 64 | 690511 | | ADAPTER, Ratchet Spring -(Low Profile) |
| 64A | 691920 | | ADAPTER, Ratchet Spring -(Wide Legs Starter Housing) |
| 65 | 691693 | | SCREW -(Rewind Starter) (3/8" Long) |
| 65A | 93254 | | SCREW -(Rewind Starter) (7/16) |
| 289 | 230228S | | PIN, Starter Grip |
| 458 | 69932S | | KIT, Handle/Rope |
| 592 | 690276 | | NUT -(Rewind Starter) |
| 608 | 691958 | | STARTER, Rewind |
| 655 | 691734 | | ANCHOR-REWIND SPRING |
| 655A | 221014 | | ANCHOR, Rewind Spring -(Wide Legs Starter Housing) |
| 678 | 490817 | | SPACER-REWIND -(Rewind) |
| 1140 | 690286 | | WASHER -(Rewind Starter) |



| REF. NO. | PART NO. | DESCRIPTION | REF. NO. | PART NO. | DESCRIPTION | REF. NO. | PART NO. | DESCRIPTION |
|----------|----------|--|----------|----------|---|----------|----------|--|
| 162 | 690267 | Collar-Bell Crank | 212 | 691791 | Link-Throttle | 268 | 691025 | Casing-Control Wire (Cut to Required Length) |
| 201 | 261027 | Link-Air Vane Used on Type No(s). 0234, 0705. | | | ----- Note ----- 691595 Link-Throttle Used on Type No(s). 0248, 0308, 0358, 0638, 0707, 0770. | 269 | 691026 | Wire-Control (Cut to Required Length) |
| 203 | 690263 | Crank-Bell | 227 | 690607 | Lever-Governor Control | 270 | 691027 | Nut (Control Wire Casing) |
| 205 | 691681 | Screw (Bell Crank) Used on Type No(s). 0136, 0139, 0204, 0228, 0234, 0248, 0328, 0678, 0705. | | | ----- Note ----- 690616 Lever-Governor Control Used on Type No(s). 0611, 0630, 0647, 0651, 0684, 0690, 0706, 0721, 0660, 0671, 0675, 0681, 0683, 0685, 0689, 0692, 0694, 0697, 0699, 0801, 2520, 2527, 2528, 2529, 2550, 2561, 2581, 2582. | 271 | 691028 | Lever-Control ----- Note ----- 221987 Lever-Control Used on Type No(s). 0678, 0705. |
| 205A | 690810 | Screw (Bell Crank) | 232 | 690545 | Spring-Governor Link ----- Note ----- 692207 Spring-Governor Link Used on Type No(s). 0248, 0308, 0358, 0638, 0707, 0770. | 404 | 690264 | Washer (Governor Crank) |
| 206 | 691079 | Nut-Governor Adjusting | 266 | 494554 | Control-Throttle ----- Note ----- 299361 Control-Throttle (Dial Control) Used on Type No(s). 0640, 0652, 0653, 0665. | 414 | 692810 | Washer (Bell Crank) Used on Type No(s). 0136, 0139, 0204, 0228, 0234, 0248, 0328, 0678, 0705. |
| 206A | 691584 | Nut-Governor Adjusting | | | | 505 | 691251 | Nut (Governor Control Lever) |
| 208 | 393613 | Rod-Governor Control | | | | 562 | 92613 | Bolt (Governor Control Lever) |
| 209 | 691596 | Spring-Governor ----- Note ----- 691789 Spring-Governor Used on Type No(s). 0611, 0630, 0647, 0651, 0690, 0760, 0781, 0801, 2520, 2527, 2528, 2529, 2550, 2581, 2582. | | | | 614 | 691620 | Pin-Cotter |
| 211 | 691790 | Spring-Governed Idle Used on Type No(s). 0611, 0630, 0647, 0651, 0690, 0760, 0781, 0801, 2520, 2527, 2528, 2529, 2550, 2581, 2582. | | | | 616 | 291364 | Crank-Governor |
| | | | | | | 629 | 690538 | Spring-Throttle Return Used on Type No(s). 0234, 0631, 0632, 0637, 0641, 0642, 0705, 0803, 2580. |
| | | | | | | 668 | 690313 | Spacer (Governor Control Rod) |

Springs, Controls

| REF NO | PART NO | QTY | DESCRIPTION |
|--------|---------|-----|---|
| 162 | 690267 | | SCREW |
| 203 | 690263 | | CRANK, Bell |
| 205A | 690810 | | SCREW -(Bell Crank) |
| 206 | 691079 | | NUT, Governor Adjusting |
| 206A | 691584 | | NUT, Governor Adjusting |
| 208 | 393613 | | ROD, Governor Control |
| 209 | 691596 | | SPRING, Governor |
| 212 | 691791 | | LINK, Throttle |
| 227 | 690607 | | LEVER, Governor Control |
| 232 | 690545 | | SPRING/LINK, Governor |
| 266 | 494554 | | CONTROL, Throttle |
| 268 | 691025 | | CASING, Control Wire -(Cut To Required Length) |
| 269 | 691026 | | WIRE, Control -(Cut To Required Length) |
| 270 | 691027 | | NUT -(Control Wire Casing) |
| 271 | 691028 | | LEVER, Control |
| 404 | 690264 | | WASHER -(Governor Crank) |
| 505 | 691251 | | NUT -(Governor Control Lever) |
| 562 | 92613 | | BOLT -(Governor Lever) |
| 614 | 691620 | | PIN, Cotter |
| 616 | 291364 | | CRANK, Governor |
| 668 | 690313 | | SPACER -(Governor Control Rod) |



| REF. NO. | PART NO. | DESCRIPTION | REF. NO. | PART NO. | DESCRIPTION | REF. NO. | PART NO. | DESCRIPTION |
|----------|----------|-------------------------|----------|----------|-------------------------|----------|----------|------------------------|
| 66 | 393127S | Clutch-Starter | 69 | 690271 | Washer (Starter Clutch) | 71 | 691359 | Cover-Ratchet |
| 66A | 399671 | Clutch-Starter (Sealed) | 69A | 690260 | Washer (Starter Clutch) | 257 | 690309 | Screw (Starter Clutch) |
| 67 | 690542 | Housing-Clutch | 69B | 690277 | Washer (Starter Clutch) | | | |
| 67A | 394897 | Housing-Clutch | 70 | 691945 | Ratchet-Clutch | | | |
| 68 | 691604 | Ball-Clutch | | | | | | |

Starter Clutch

| REF NO | PART NO | QTY | DESCRIPTION |
|--------|---------|-----|-----------------------------|
| 66 | 393127S | | CLUTCH, Starter |
| 66A | 399671 | | CLUTCH-STARTER -(Sealed) |
| 67 | 690542 | | HOUSING, Clutch |
| 67A | 394897 | | HOUSING, Clutch |
| 68 | 691604 | | BALL, Clutch |
| 69 | 690271 | | WASHER -(Starter Clutch) |
| 69A | 690260 | | WASHER -(Starter Clutch) |
| 69B | 690277 | | WASHER -(Starter Clutch) |
| 70 | 691945 | | RATCHET-CLUTCH |
| 71 | 691359 | | COVER, Ratchet |
| 257 | 690309 | | SCREW -(Starter Clutch) |

Not For Reproduction

