

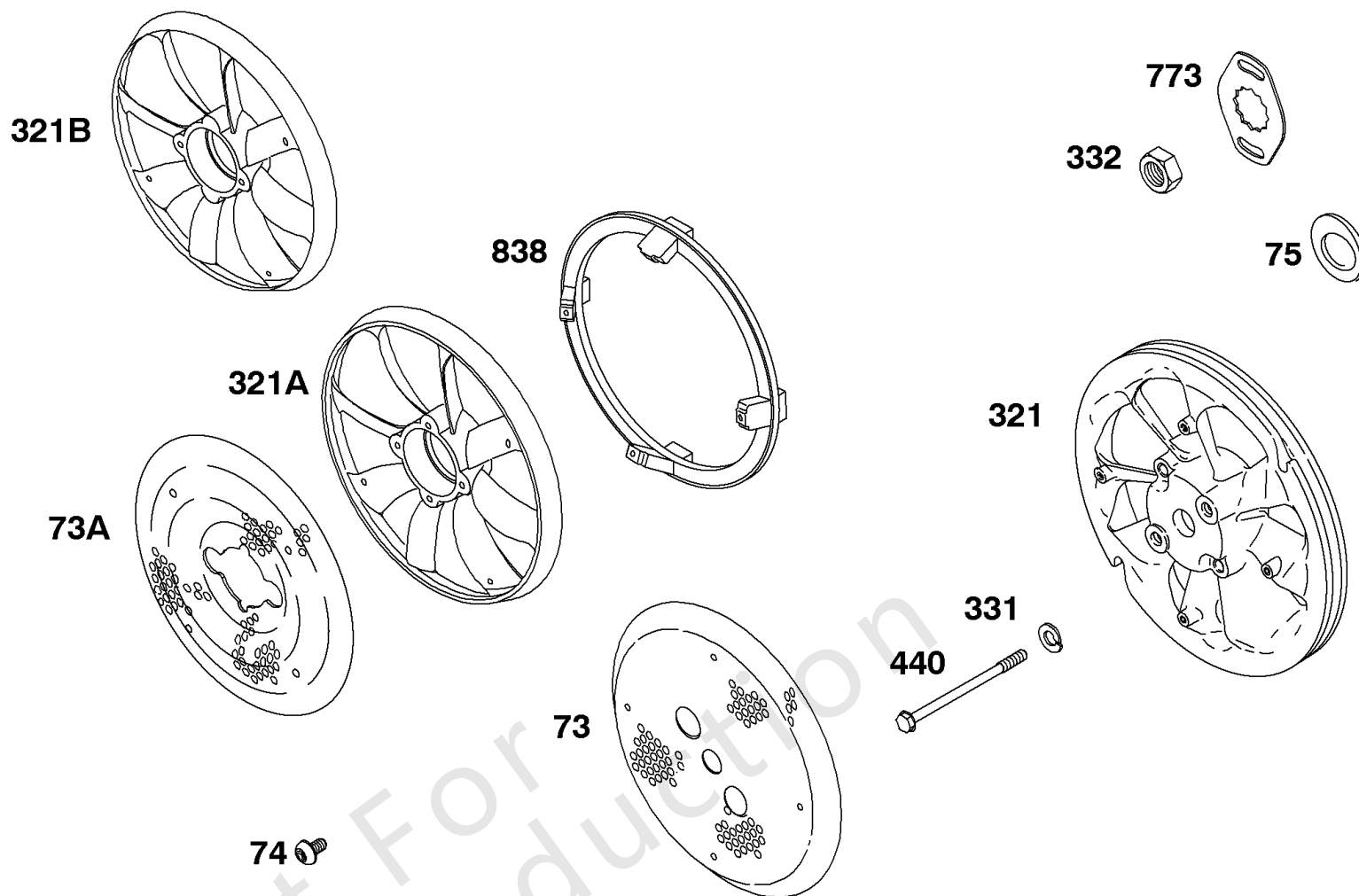
# 零件手册

制造编号: 326431-0127-99





模型组件	页
助推器风扇, 旋转屏.....	4
化油器.....	6
化油器, 阻风门.....	8
发动机/阀门/化油器垫圈套件.....	10
发动机基地.....	14
发电线圈.....	16
启动拉盘, 绳索.....	18
启动离合器.....	20
导风罩.....	22
弹簧, 控制.....	24
整流器, V形带.....	26
曲轴.....	28
替代发动机-美国和加拿大.....	30
油箱.....	31
活塞, 环, 连杆, 凸轮轴, 阀门.....	33
消音器, 盾牌.....	37
燃油泵, 燃油滤清器.....	39
电启动器1.....	41
电启动器2.....	43
电枢, 电线.....	45
空气滤清器.....	47
缸体, 头, 火花塞.....	49
背板.....	51
轴承支撑, 垫圈.....	53
配重盖, 加油.....	55
面板套件, 整流器, 钥匙开关.....	57
面板套件, 量具, 电线.....	59
飞轮.....	61

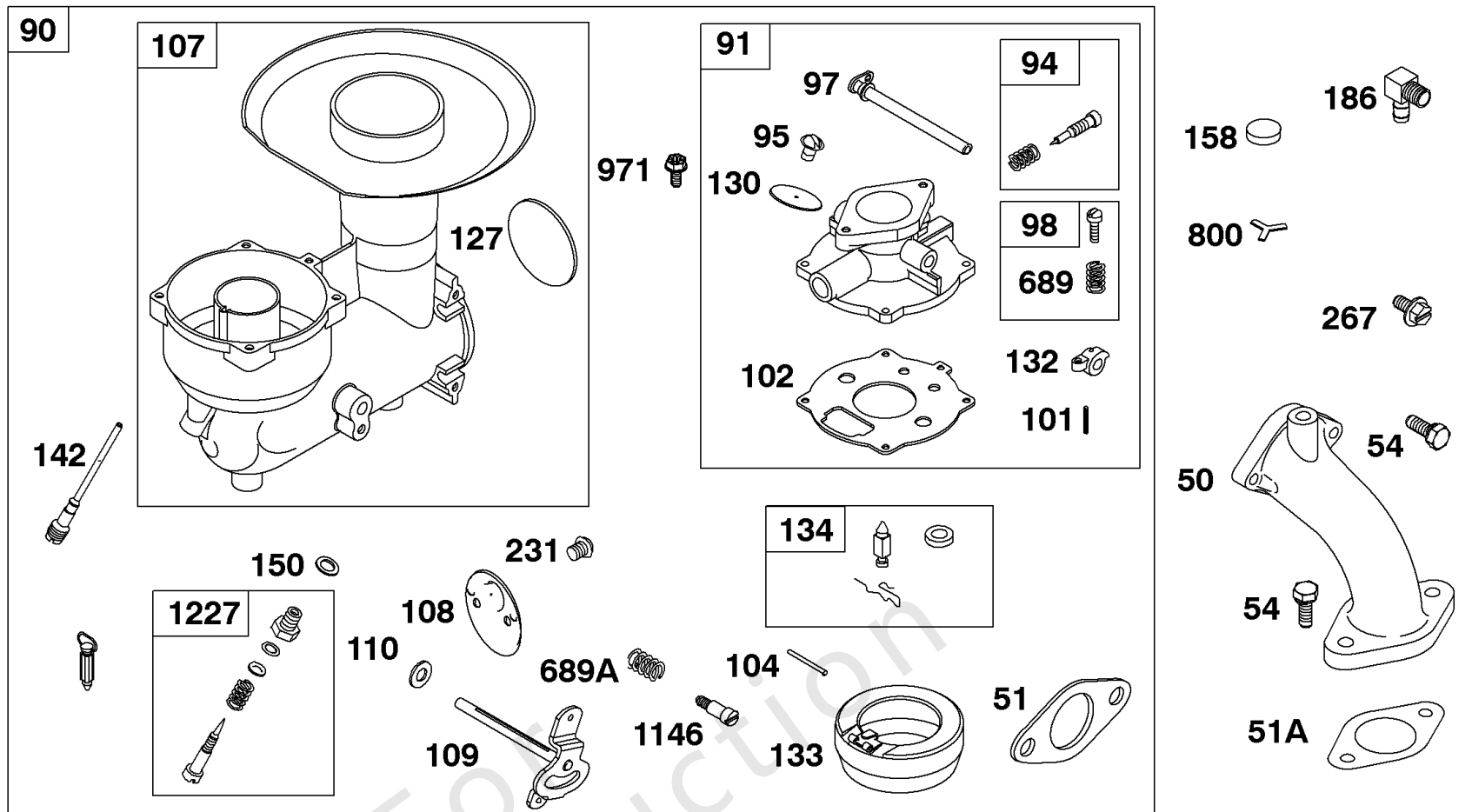


REF. NO.	PART NO.	DESCRIPTION	REF. NO.	PART NO.	DESCRIPTION	REF. NO.	PART NO.	DESCRIPTION
73	691171	Screen-Rotating ----- <b>Note</b> ----- <b>690404</b> Screen-Rotating Used on Type No(s). 0127, 0133, 0182, 0190, 0210, 0222, 0252, 0262, 0315, 0333, 0630, 0649, 2582, 2583.	74	691655	Screw (Rotating Screen)	440	691076	Screw (Booster Fan)
73A	690410	Screen-Rotating	75	691056	Washer (Flywheel)	773	690265	Retainer
			321	691151	Fan-Booster	838	211983	Adapter-Blower Housing Ring
			321A	690377	Fan-Booster			
			321B	212000	Fan-Booster			
			331	691075	Washer (Booster Fan)			
			332	691059	Nut (Flywheel)			

## 助推器风扇, 旋转屏

参考编号	零件号	数量	描述
73	690404		屏, 旋转
74	691655		拧 - (旋转屏)
75	691056		垫圈 - (飞轮)
321	691151		范, 助推器
321A	690377		FAN-BOOSTER
321B	212000		范, 助推器
331	691075		垫圈 - (助推器风扇)
332	691059		坚果 - (飞轮)
440	691076		拧 - (助推器风扇)
773	690265		固定器
838	211983		适配器, 导风罩环

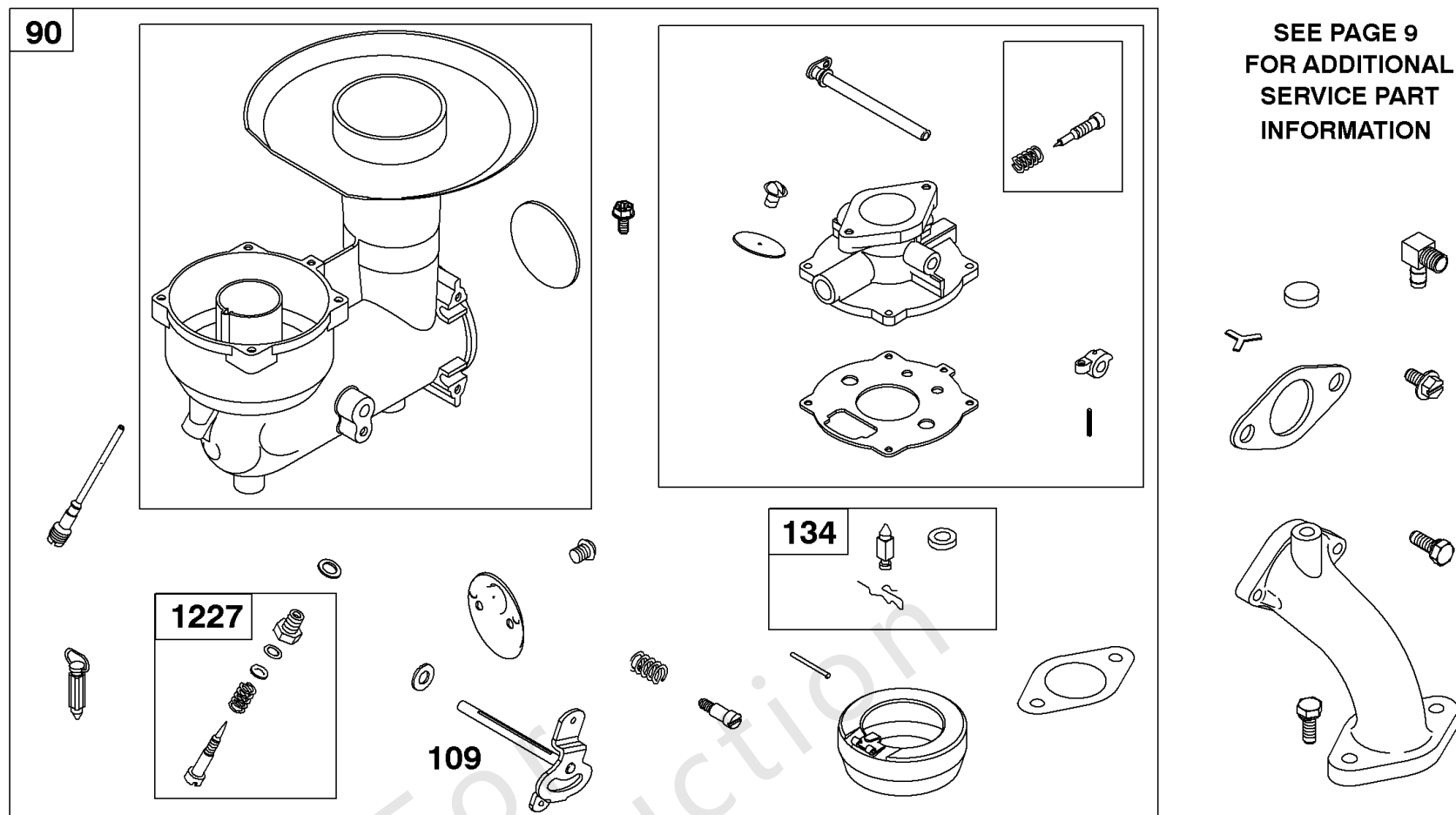
Not For Reproduction



REF. NO.	PART NO.	DESCRIPTION	REF. NO.	PART NO.	DESCRIPTION	REF. NO.	PART NO.	DESCRIPTION
50	691152	Manifold-Intake ----- <b>Note</b> ----- 692525 Manifold-Intake Used on Type No(s). 0248, 0308, 0358, 0638, 0707, 0770.	94	292681	Kit-Idle Mixture			----- <b>Note</b> ----- 390950 Nozzle-Carburetor (Standard) (Labeled 40) (Used Before Code Date 81090900).
51	27381	Gasket-Intake	95	691437	Screw (Throttle Valve)	150	691610	Gasket-Nozzle
51A	692214	Gasket-Intake	97	691944	Shaft-Throttle	158	27590	Plug-Carburetor Filter/Drain
54	691681	Screw (Intake Manifold)	98	693942	Kit-Idle Speed	186	691764	Connector-Hose
90		Carburetor <b>(See Previous Page)</b>	101	691616	Pin-Shaft	231	691437	Screw (Choke Valve)
91	299687	Body-Upper Carburetor ----- <b>Note</b> ----- 391067 Body-Upper Carburetor Used on Type No(s). 0121, 0144, 0157, 0158, 0164, 0165, 0169, 0170, 0182, 0184, 0192, 0240, 0309, 0331, 0630, 0707, 0724, 0770.	102	692215	Gasket-Carburetor Body	267	691082	Screw (Casing Clamp)
			104	691775	Pin-Float Hinge	689	691591	Spring-Friction
			107	391069	Body-Lower Carburetor	689A	691590	Spring-Friction
			108	690621	Valve-Choke	800	220521	Retainer-Carburetor Drain
			109		Shaft-Choke <b>(See Previous Page)</b>	971	691090	Screw (Air Cleaner Base to Carburetor)
			110	691186	Washer (Choke Shaft)	1146	691587	Screw (Choke Shaft)
			127	690627	Plug-Welch	1227		Valve-High Speed <b>(See Previous Page)</b>
			130	691727	Valve-Throttle			
			132	691708	Stop-Throttle			
			133	692265	Float-Carburetor			
			134		Kit-Needle/Seat <b>(See Previous Page)</b>			
			142	691966	Nozzle-Carburetor (Standard) (Labeled B) (Used After Code Date 81090800).			

## 化油器

参考编号	零件号	数量	描述
50	691152		歧管, 摄入量
51	27381S		垫片, 进气管
51A	692214		垫片, 进气管
54	691681		拧 - (进气歧管)
90	391070		化油器
91	299687		体, 上部化油器
94	292681		阀门, 空闲混合物
95	691437		拧 - (节气门)
97	691944		轴, 油门
98	693942		套件, 怠速
101	691616		销, 轴
102	692215		垫片, 化油器车身
104	691775		销, 浮子合页
107	391069		体, 降低化油器
108	690621		阀门, 阻风门
109	690617		轴, 阻风门
110	691186		垫圈 - (阻风门)
127	690627		塞, 韦尔奇
130	691727		阀门, 节气门
132	691708		停止, 节流
133	692265		浮子化油器
134	394681		套件, 针/座椅 - (重力进给)
134	394682		套件, 针/座椅 - (包括黄铜座椅)
134	394683		套件, 针/座椅 - (包括黄铜座椅) (与脉冲泵一起使用)
142	390950		喷嘴, 化油器 - (标准) (标记40) 代码日期81090900 -之前使用
142	691966		喷嘴, 化油器 - (标准) (标记B) 代码日期81090800后使用
150	691610		喷嘴, 喷嘴
158	27590		塞, 化油器过滤/排水
186	691764		CONNECTOR-HOSE - (脉冲线)
231	691437		拧 - (节气门)
267	691082		拧 - (线夹)
689	691591		弹簧, 摩擦
689A	691590		弹簧, 摩擦
800	220521		固定器, 化油器排水管
971	691090		拧 - (空气滤清器底座) (远程阻风门)
1146	691587		拧 - (阻风门)
1227	99525S		阀门, 高速



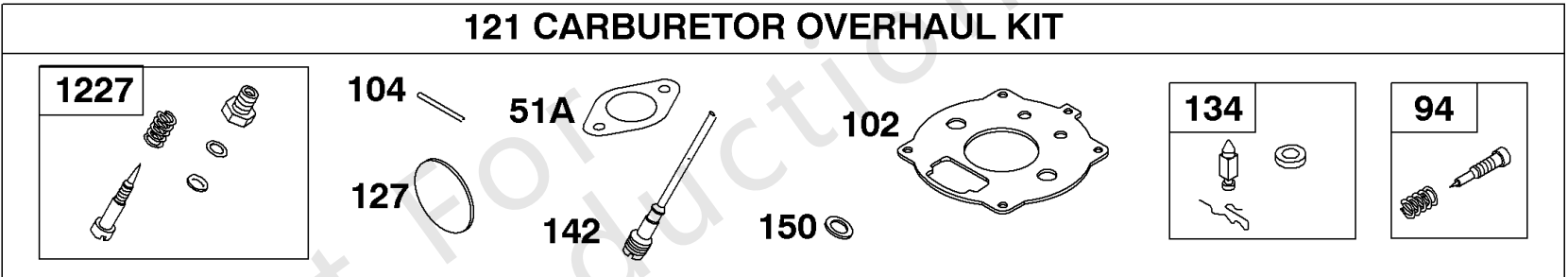
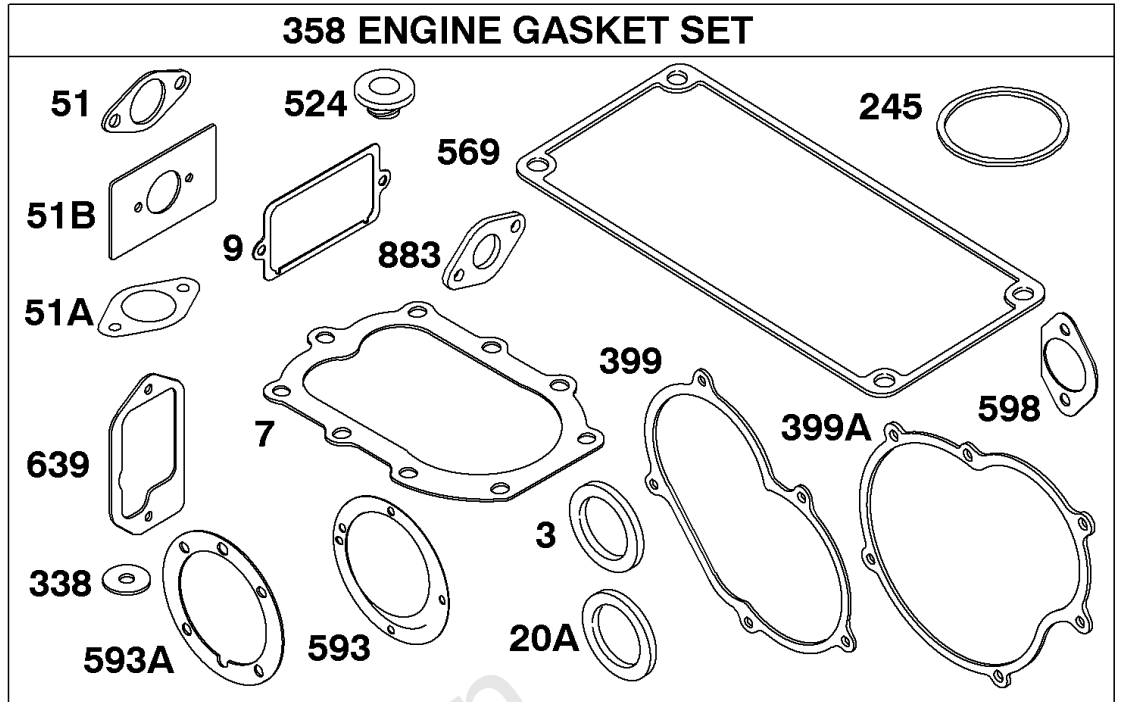
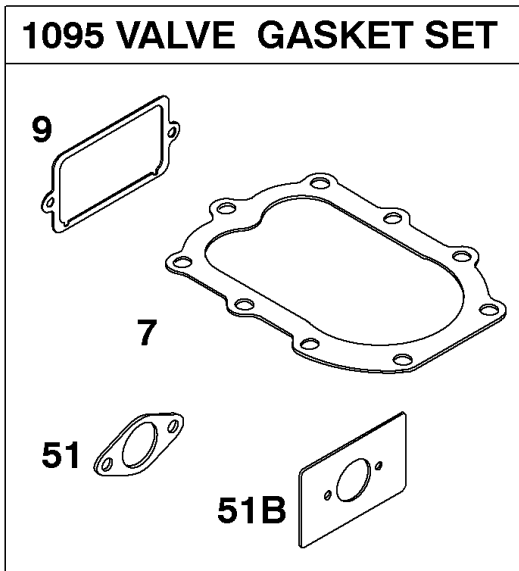
REF. NO.	PART NO.	DESCRIPTION	REF. NO.	PART NO.	DESCRIPTION	REF. NO.	PART NO.	DESCRIPTION	
90	391065	Carburetor ----- <b>Note</b> ----- <b>391068</b> Carburetor Used on Type No(s). 0121, 0144, 0157, 0158, 0164, 0165, 0169, 0170, 0184, 0192, 0240, 0331. <b>391070</b> Carburetor Used on Type No(s). 0127, 0133, 0134, 0135, 0136, 0139, 0140, 0149, 0162, 0163, 0166, 0172, 0173, 0180, 0185, 0186, 0201, 0204, 0206, 0211, 0212, 0213, 0226, 0227, 0228, 0229, 0249, 0251, 0271, 0298, 0326, 0328, 0332. <b>392035</b> Carburetor Used on Type No(s). 0182, 0210, 0222, 0309. <b>393431</b> Carburetor Used on Type No(s). 0262, 0630.							
			109	691353	Shaft-Choke ----- <b>Note</b> ----- <b>690617</b> Shaft-Choke Used on Type No(s). 0121, 0127, 0133, 0134, 0135, 0136, 0139, 0140, 0144, 0149, 0157, 0158, 0162, 0163, 0164, 0165, 0166, 0169, 0170, 0172, 0180, 0184, 0185, 0186, 0192, 0201, 0204, 0206, 0211, 0212, 0213, 0226, 0227, 0228, 0229, 0249, 0251, 0271, 0298, 0326, 0328, 0332, 2581, 2582.				
						134	394681	Kit-Needle/Seat ----- <b>Note</b> ----- <b>394682</b> Kit-Needle/ Seat (Includes Brass Seat) <b>394683</b> Kit-Needle/ Seat (Includes Brass Seat) (For Use With Impulse Pump)	
						1227	99525S	Valve-High Speed	



## 化油器, 阻风门

参考编号	零件号	数量	描述
90	391070		化油器
109	690617		轴, 阻风门
134	394681		套件, 针/座椅 - (重力进给)
134	394682		套件, 针/座椅 - (包括黄铜座椅)
134	394683		套件, 针/座椅 - (包括黄铜座椅) (与脉冲泵一起使用)
1227	99525S		阀门, 高速

Not For Reproduction

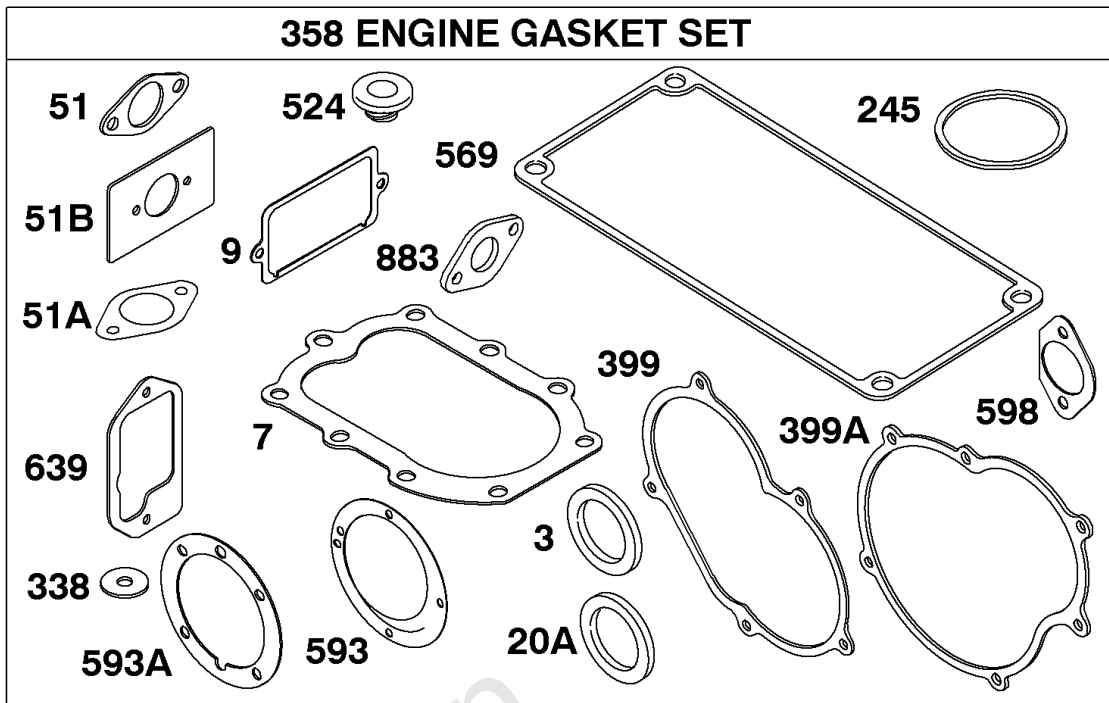
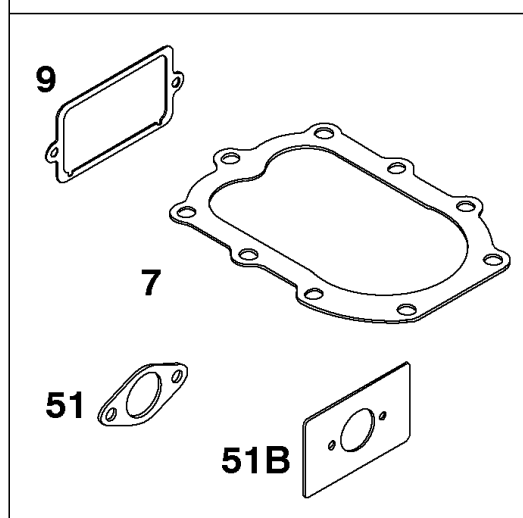


REF. NO.	PART NO.	DESCRIPTION	REF. NO.	PART NO.	DESCRIPTION	REF. NO.	PART NO.	DESCRIPTION
3	691948	Seal-Oil (Magneto Side)	142	691966	Nozzle-Carburetor (Labeled B)	598	270516	Shim-End Play (Camshaft Bearing) (.009" Thick)
7	272166	Gasket-Cylinder Head	150	691610	Gasket-Nozzle			----- <b>Note</b> -----
9	27803S	Gasket-Breather	245	692190	Gasket-Fuel Bowl			<b>270517</b> Shim-End Play
20A	291675S	Seal-Oil (PTO Side)	338	690270	Gasket-Dipstick			(Camshaft Bearing) (.007" Thick)
51	27381	Gasket-Intake	358	299719	Gasket Set-Engine			<b>270518</b> Shim-End Play
51A	692214	Gasket-Intake	399	691310	Gasket-Counterweight Cover (Magneto Side)			(Camshaft Bearing) (.005" Thick)
51B	692917	Gasket-Intake	399A	692914	Gasket-Counterweight Cover (PTO Side)			
94	292681	Kit-Idle Mixture						
102	692215	Gasket-Carburetor Body	524	281370S	Seal-Dipstick Tube	639	692913	Gasket-Breaker Box
104	691775	Pin-Float Hinge	569	691569	Gasket-Engine Base	883	692236	Gasket-Exhaust
121	394989	Kit-Carburetor Overhaul (Used After Code Date 81090800). ----- <b>Note</b> ----- <b>391071</b> Kit-Carburetor Overhaul (Used Before Code Date 81090900).	593	691311	Gasket-Bearing Support	1095	498540	Gasket Set-Valve
127	690627	Plug-Welch	593A	270513	Gasket-Bearing Support (.015" Thick) ----- <b>Note</b> ----- <b>270514</b> Gasket-Bearing Support (.010" Thick)	1227	99525S	Valve-High Speed
134	394681	Kit-Needle/Seat						

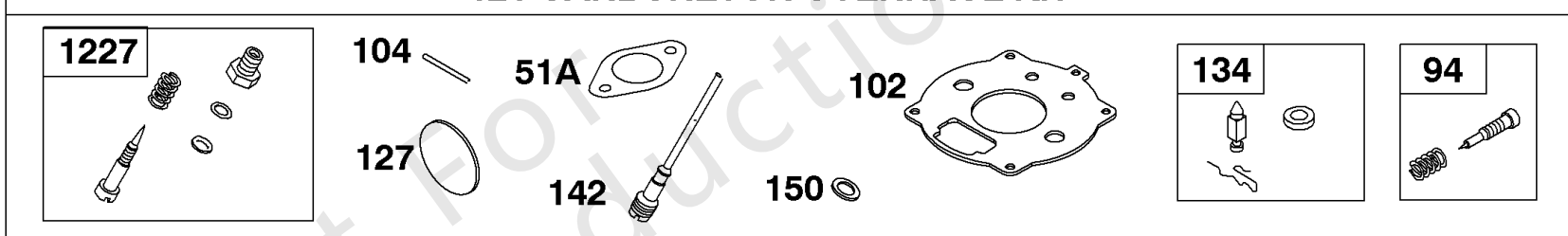
## 发动机/阀门/化油器垫圈套件

参考编号	零件号	数量	描述
3	691948		海豹油 - (磁铁侧)
7	692231		垫片, 缸头
9	27803S		垫片, 呼吸器
20A	291675S		海豹油 - (PTO方)
51	27381S		垫片, 进气管
51A	692214		垫片, 进气管
51B	692917		垫片, 进气管
94	292681		阀门, 空闲混合物
102	692215		垫片, 化油器车身
104	691775		销, 浮子合页
121	394989		套件, 化油器大修 -在代码日期81090800 -之后使用
121	391071		套件, 化油器大修 -在代码日期81090900 -之前使用
127	690627		塞, 韦尔奇
134	394681		套件, 针/座椅 - (重力进给)
134	394682		套件, 针/座椅 - (包括黄铜座椅)
134	394683		套件, 针/座椅 - (包括黄铜座椅) (与脉冲泵一起使用)
142	390950		喷嘴, 化油器 - (标准) (标记40) 代码日期81090900 -之前使用
142	691966		喷嘴, 化油器 - (标准) (标记B) 代码日期81090800后使用
150	691610		喷嘴, 喷嘴
245	692190		垫片, 燃料碗
338	690270		密封圈, O形圈 - (试纸管)
358	299719		垫片包, 发动机
399	691310		垫片, 配重盖 - (磁铁侧)
399A	692914		垫片, 配重盖 - (PTO方)
524	281370S		Seal-Dipstick Tube - (试纸管)
569	691569		垫片, 曲轴箱盖
593	691311		GASKET-CRANKCASE COVER
593A	270515		垫圈, 轴承支撑 -(.005)
593A	270514		垫圈, 轴承支撑 -(.010)
593A	270513		垫圈, 轴承支撑 -(.015)
598	270517		垫片, 结束游戏 - (曲轴或凸轮轴轴承) (.007)
598	270518		垫片, 结束游戏 - (曲轴或凸轮轴轴承) (.005)
598	270516		垫片, 结束游戏 - (曲轴或凸轮轴轴承) (.009)
639	692913		垫片, 断路器箱
883	692236		垫片, 排气
1095	498540		垫片包, 阀门

**1095 VALVE GASKET SET**



**121 CARBURETOR OVERHAUL KIT**

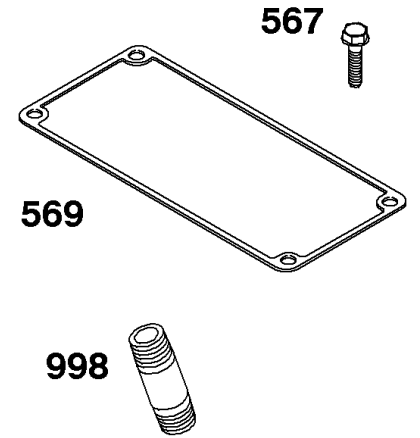
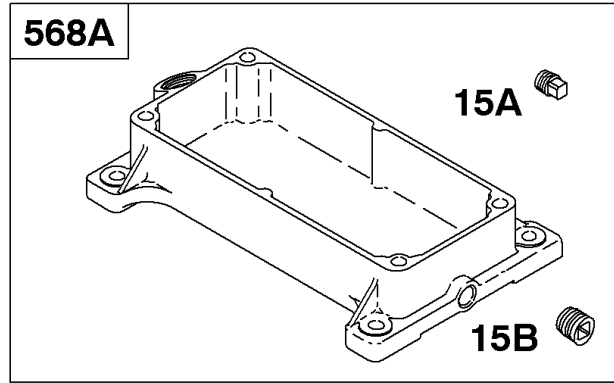
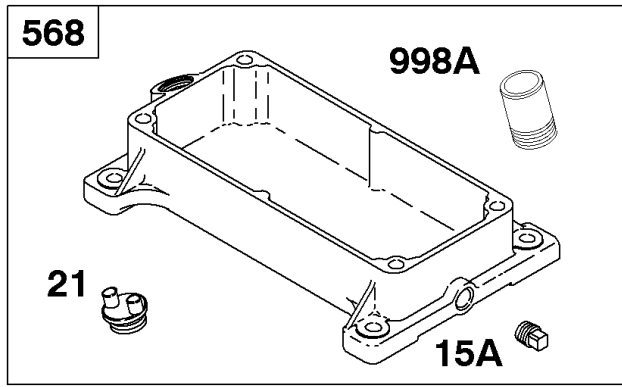


REF. NO.	PART NO.	DESCRIPTION	REF. NO.	PART NO.	DESCRIPTION	REF. NO.	PART NO.	DESCRIPTION
3	691948	Seal-Oil (Magneto Side)	142	691966	Nozzle-Carburetor (Labeled B)	598	270516	Shim-End Play (Camshaft Bearing) (.009" Thick)
7	272166	Gasket-Cylinder Head	150	691610	Gasket-Nozzle			----- <b>Note</b> -----
9	27803S	Gasket-Breather	245	692190	Gasket-Fuel Bowl			<b>270517</b> Shim-End Play
20A	291675S	Seal-Oil (PTO Side)	338	690270	Gasket-Dipstick			(Camshaft Bearing) (.007" Thick)
51	27381	Gasket-Intake	358	299719	Gasket Set-Engine			<b>270518</b> Shim-End Play
51A	692214	Gasket-Intake	399	691310	Gasket-Counterweight Cover (Magneto Side)			(Camshaft Bearing) (.005" Thick)
51B	692917	Gasket-Intake	399A	692914	Gasket-Counterweight Cover (PTO Side)			
94	292681	Kit-Idle Mixture						
102	692215	Gasket-Carburetor Body	524	281370S	Seal-Dipstick Tube	639	692913	Gasket-Breaker Box
104	691775	Pin-Float Hinge	569	691569	Gasket-Engine Base	883	692236	Gasket-Exhaust
121	394989	Kit-Carburetor Overhaul (Used After Code Date 81090800). ----- <b>Note</b> ----- <b>391071</b> Kit-Carburetor Overhaul (Used Before Code Date 81090900).	593	691311	Gasket-Bearing Support	1095	498540	Gasket Set-Valve
127	690627	Plug-Welch	593A	270513	Gasket-Bearing Support (.015" Thick)	1227	99525S	Valve-High Speed
134	394681	Kit-Needle/Seat			----- <b>Note</b> ----- <b>270514</b> Gasket-Bearing Support (.010" Thick) <b>270515</b> Gasket-Bearing Support (.005" Thick)			

## 发动机/阀门/化油器垫圈套件

参考编号	零件号	数量	描述
1227	99525S		阀门, 高速

Not For Reproduction



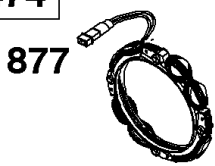
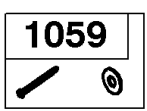

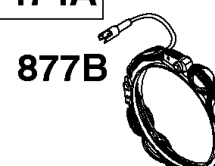
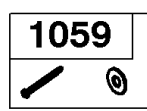


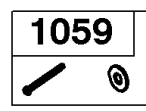

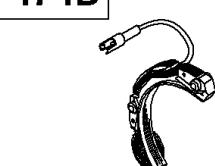
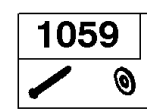
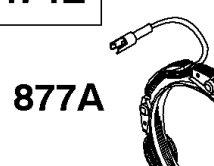
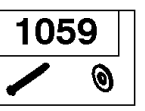






REF. NO.	PART NO.	DESCRIPTION	REF. NO.	PART NO.	DESCRIPTION	REF. NO.	PART NO.	DESCRIPTION	
15A	690946	Plug-Oil Drain	568A	391165	Base-Engine Used on Type No(s). 0062, 0120, 0121, 0123, 0126, 0127, 0133, 0135, 0136, 0140, 0144, 0149, 0157, 0158, 0162, 0163, 0164, 0165, 0169, 0170, 0172, 0173, 0174, 0178, 0180, 0182, 0183, 0184, 0185, 0186, 0190, 0192, 0198, 0201, 0204, 0205, 0210, 0215, 0222, 0223, 0227, 0228, 0230, 0234, 0235, 0240, 0246, 0248, 0252, 0253, 0254, 0255, 0259, 0262, 0283, 0284, 0291, 0293, 0306, 0308, 0310, 0311, 0312, 0315, 0316, 0326, 0328, 0331, 0333, 0341, 0351, 0354, 0360, 0384, 0392, 0630, 0638, 0647, 0648, 0649, 0659, 0660, 0669, 0673, 0678, 0679, 0686, 0705, 0712, 0723, 0724, 0725, 0726, 0732, 0735, 0737, 0740, 0744, 0750, 0755, 0756, 0759, 0780, 0781, 0786, 2562, 2581, 2582.	569	691569	Gasket-Engine Base	
15B	691680	Plug-Oil Drain				998	690307	Pipe-Oil	
21	281658S	Cap-Oil Fill				998A	690502	Pipe-Oil	
567	691104	Screw (Engine Base)							
568	294751	Base-Engine Used on Type No(s). 0020, 0023, 0050, 0139, 0145, 0150, 0151, 0152, 0155, 0159, 0175, 0191, 0199, 0203, 0206, 0208, 0212, 0218, 0219, 0226, 0356, 0804, 2527, 2583. ----- Note ----- 291404 Base- Engine Used on Type No(s). 0134, 0135.							

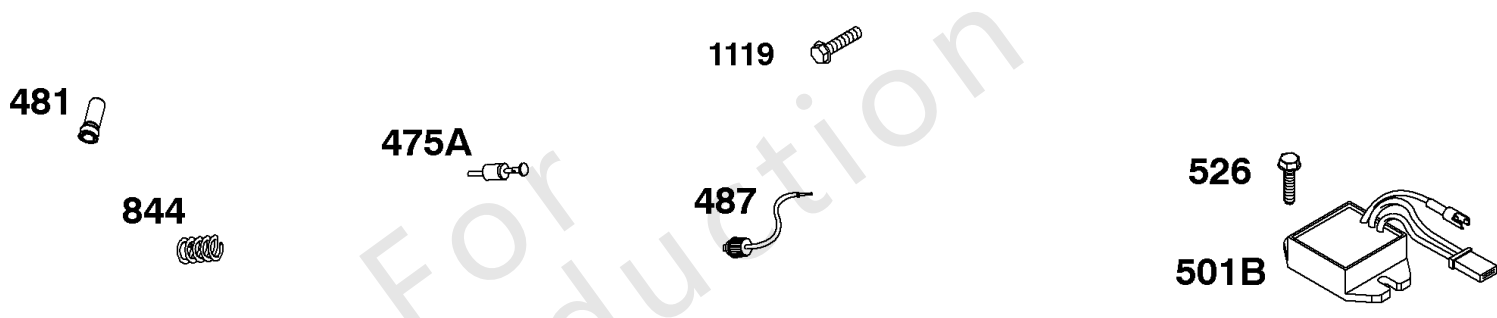
## 发动机基地

参考编号	零件号	数量	描述
15A	690946		插头, 排油
15B	691680		插头, 排油
21	281658S		CAP-OIL FILL
567	691104		拧 - (发动机基地)
568A	391165		油底壳, 发动机
569	691569		垫片, 曲轴箱盖
998	690307		管, 油
998A	690502		管, 油

Not For Reproduction

SEE REPAIR INSTRUCTION MANUAL FOR PROPER AMPERAGE OF ALTERNATOR

DUAL CIRCUIT	REGULATED	10 AMP	AC ONLY	DC ONLY
<b>474</b>  <b>877</b>  <b>1059</b> 	<b>474A</b>  <b>877B</b>  <b>1059</b> 	<b>474C</b>  <b>877C</b>  <b>1059</b> 	<b>474D</b>  <b>1059</b> 	<b>474E</b>  <b>877A</b>  <b>1059</b> 
<b>878</b> 	<b>878C</b> 	<b>578A</b> 	<b>578</b> 	<b>578A</b> 

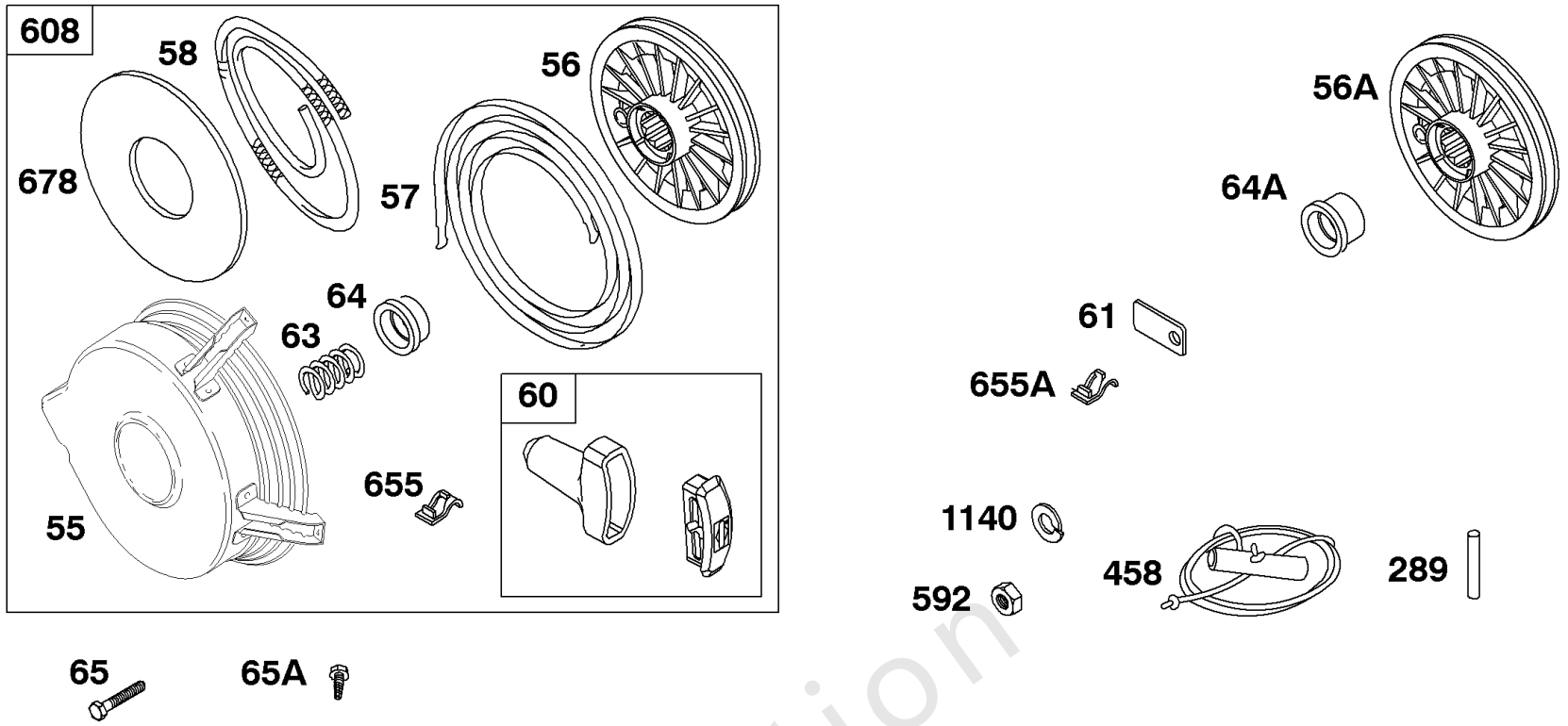


REF. NO.	PART NO.	DESCRIPTION	REF. NO.	PART NO.	DESCRIPTION	REF. NO.	PART NO.	DESCRIPTION
474	696459	Alternator (Dual Circuit)	501B	691185	Regulator (10 Amp)	878	398661	Harness-Alternator
474A	696457	Alternator (Tri-Circuit)	526	690297	Screw (Regulator)	878C	691955	Harness-Alternator (Tri-Circuit)
474C	696458	Alternator (10 Amp) (Key Switch)	578	390867	Wire Assembly	1059	698516	Kit-Screw/Washer (Alternator)
474D	391595	Alternator (AC Only)	578A	692306	Wire Assembly	1119	691183	Screw (Alternator)
474E	696578	Alternator (DC Only)	844	261269	Spring-Diode			
475A	391507	Rectifier	877	393456	Wire/Connector-Alternator (Dual Circuit)			
481	230976	Bushing-Alternator	877A	393814	Wire/Connector-Alternator (DC Only)			
487	390888	Cap-Wire/Fuse	877B	393537	Wire/Connector-Alternator (Tri-Circuit)			
			877C	399916	Wire/Connector-Alternator (10 AMP)			



## 发电线圈

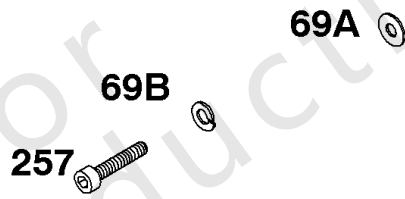
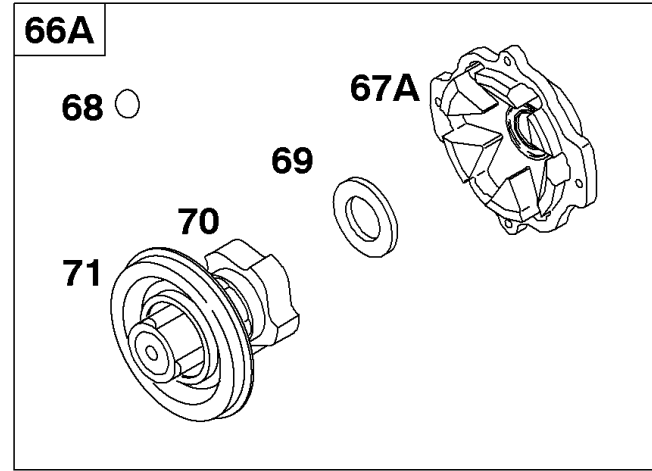
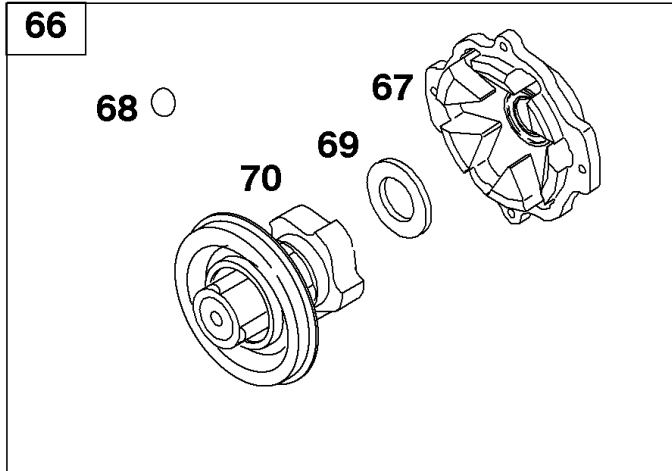
参考编号	零件号	数量	描述
10	690294		拧 - (呼吸器组装)
474	696459		发马达
474A	696457		发马达 - (三回路)
474C	696458		发马达 - (10,13,16 安培) (按键开关)
474D	391595		发马达 - (仅限Ac)
474E	696578		发马达 - (仅限DC)
475A	391507		整流器
481	230976		衬套, 发电线圈 - (疏松)
487	390888		盖, 电线/保险丝
501B	691185		整流器 - (10安培调节)
526	690297		拧 - (整流器)
578	390867		线束, 发电线圈 - (仅限Ac)
578A	692306		线组装
578A	298582		线组装 - (2线, 5-7 / 16和3-7 / 8) (绝缘支撑环端子, 绝缘支撑环端子和标志环端子)
844	261269		弹簧, 二极管
877	393456		线 / 连接器, 发电线圈 - (双回路)
877A	393814		线 / 连接器, 发电线圈 - (仅限DC)
877B	393537		线 / 连接器, 发电线圈 - (三回路)
877C	399916		WIRE/CONN-ALTERNATOR - (10安培调节)
878	398661		线束, 接线
878C	691955		线束, 发电线圈
1059	698516		套件, 螺丝/垫圈
1119	691183		拧 - (发电线圈)



REF. NO.	PART NO.	DESCRIPTION	REF. NO.	PART NO.	DESCRIPTION	REF. NO.	PART NO.	DESCRIPTION
55	691355	Housing-Rewind Starter (Low Profile)		66574	Rope-Starter (99" Long) (Cut to Required Length) (Use With Metal Pulley)	289	230228S	Pin-Starter Grip
56	392630	Pulley-Starter (Low Profile)				458	69932S	Kit-Handle/Rope
56A	295871	Pulley-Starter (Wide Legs Starter Housing, Includes 63" Rope)	60	490652	Grip-Starter Rope	592	690276	Nut (Rewind Starter)
57	490179	Spring-Rewind Starter	61	68848S	Bumper-Starter Pulley (Wide Legs Starter Housing)	608	691958	Starter-Rewind
58	692188	Rope-Starter (63" Long) (Use With Plastic Pulley)	63	690547	Spring-Ratchet	655	691734	Anchor-Rewind Spring
		----- <b>Note</b> -----	64	690511	Adapter-Ratchet Spring (Low Profile)	655A	221014	Anchor-Rewind Spring (Wide Legs Starter Housing)
		695002 Rope-Starter (99" Long) (Cut to Required Length) (Use With Plastic Pulley)	64A	691920	Adapter-Ratchet Spring (Wide Legs Starter Housing)	678	490817	Spacer-Rewind
		66564 Rope-Starter (63" Long) (Use With Metal Pulley)	65	691693	Screw (Rewind Starter) (3/8" Long)	1140	690286	Washer (Rewind Starter)
			65A	93254	Screw (Rewind Starter) (7/16" Long)			

## 启动拉盘, 绳索

参考编号	零件号	数量	描述
55	691355		壳, 自绕回弹入门 - (低调)
56	392630		滑轮, 启动 - (低调)
56A	295871		滑轮, 启动 - (宽腿启动器外壳, 包括63根绳索)
57	490179		SPRING-REWIND STR
58	66574		绳, 启动 - (99) (切成所需长度) (与金属滑轮一起使用)
58	692188		绳, 启动 - (63) (与塑料滑轮一起使用)
58	695002		绳, 启动 - (99) (切成所需长度) (与塑料滑轮一起使用)
58	66564		绳, 启动 - (63) (与金属滑轮一起使用)
60	490652		GRIP-STARTER ROPE
61	68848S		保险杠, 启动 滑轮 - (宽腿启动器外壳)
63	690547		弹簧, 棘轮
64	690511		适配器, 棘轮弹簧 - (低调)
64A	691920		适配器, 棘轮弹簧 - (宽腿启动器外壳)
65	691693		拧 - (启动拉盘) (3/8 "长)
65A	93254		拧 - (启动拉盘) (7/16)
289	230228S		销, 启动把手
458	69932S		套件, 把手/绳子
592	690276		坚果 - (启动拉盘)
608	691958		启动, 自绕回弹
655	691734		ANCHOR-REWIND SPRING
655A	221014		锚扣, 自绕回弹弹簧 - (宽腿启动器外壳)
678	490817		SPACER-REWIND - (自绕回弹)
1140	690286		垫圈 - (启动拉盘)

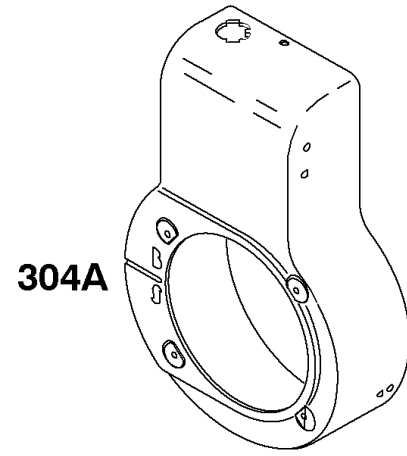
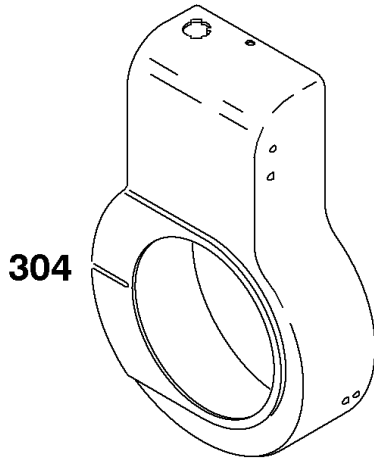


REF. NO.	PART NO.	DESCRIPTION	REF. NO.	PART NO.	DESCRIPTION	REF. NO.	PART NO.	DESCRIPTION
66	393127S	Clutch-Starter	69	690271	Washer (Starter Clutch)	71	691359	Cover-Ratchet
66A	399671	Clutch-Starter (Sealed)	69A	690260	Washer (Starter Clutch)	257	690309	Screw (Starter Clutch)
67	690542	Housing-Clutch	69B	690277	Washer (Starter Clutch)			
67A	394897	Housing-Clutch	70	691945	Ratchet-Clutch			
68	691604	Ball-Clutch						

## 启动离合器

参考编号	零件号	数量	描述
66	393127S		离合器, 启动
66A	399671		CLUTCH-STARTER - (密封)
67	690542		壳, 离合器
67A	394897		壳, 离合器
68	691604		球, 离合器
69	690271		垫圈 - (起动离合器)
69A	690260		垫圈 - (起动离合器)
69B	690277		垫圈 - (起动离合器)
70	691945		RATCHET-CLUTCH
71	691359		盖子, 棘轮
257	690309		拧 - (起动离合器)

Not For Reproduction

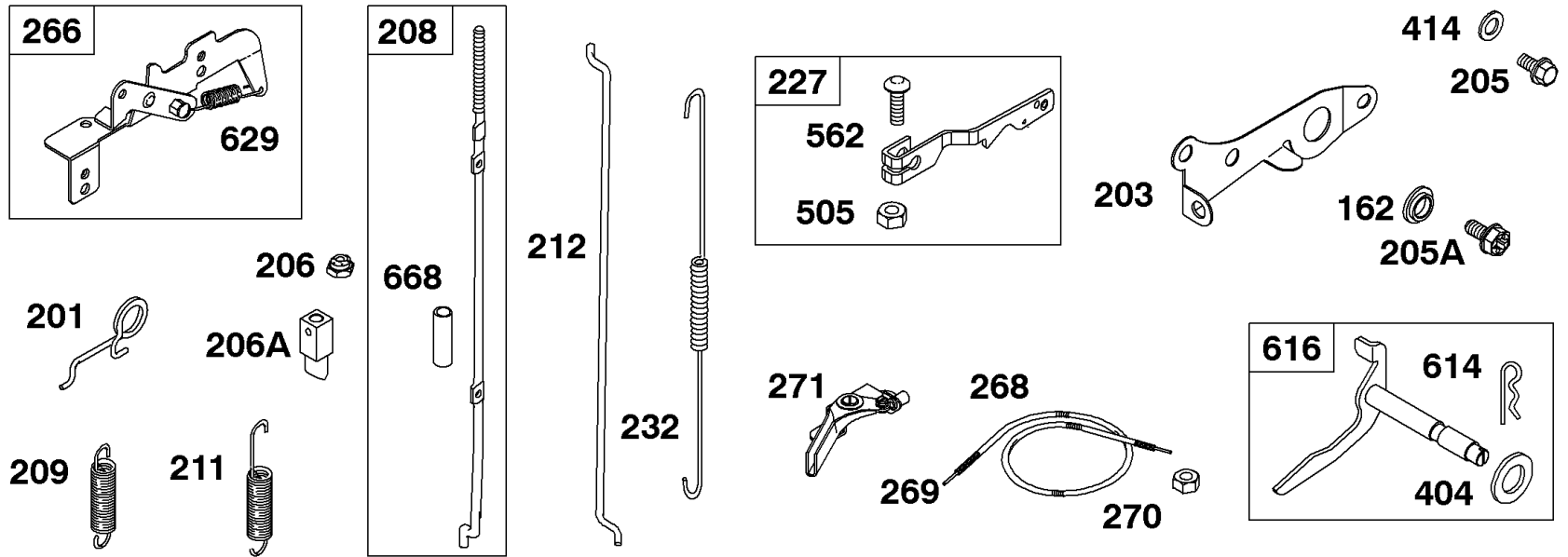


REF. NO.	PART NO.	DESCRIPTION	REF. NO.	PART NO.	DESCRIPTION	REF. NO.	PART NO.	DESCRIPTION		
304	294698	Housing-Blower ----- <b>Note</b> ----- <b>297010</b> Housing-Blower Used on Type No(s). 0060, 0119, 0160, 0197, 0216, 0223, 0237. <b>297453</b> Housing-Blower Used on Type No(s). 0020, 0023, 0050, 0136, 0139, 0140, 0145, 0150, 0151, 0152, 0155, 0159, 0175, 0181, 0183, 0191, 0199, 0203, 0204, 0205, 0206, 0208, 0212, 0218, 0219, 0226, 0227, 0228, 0254, 0255, 0259. <b>391229</b> Housing-Blower Used on Type No(s). 0027, 0028, 0063, 0115, 0123, 0126, 0135, 0143, 0148, 0149, 0162, 0163, 0165, 0167, 0168, 0170, 0171, 0172, 0174, 0178, 0180, 0182, 0184, 0185, 0188, 0189, 0192, 0193, 0198, 0201, 0209, 0210, 0211, 0213, 0215, 0217, 0221, 0224, 0229, 0230, 0231, 0234, 0235, 0236, 0238,			0248, 0249, 0259, 0251, 0252, 0257, 0261, 0262, 0265, 0271, 0273, 0275, 0276, 0277, 0278, 0279, 0281, 0282, 0283, 0284, 0285, 0286, 0287, 0288, 0296, 0298, 0303, 0304, 0306, 0307, 0309, 0310, 0311, 0315, 0316, 0317, 0318, 0319, 0320, 0321, 0322, 0323, 0324, 0325, 0326, 0328, 0330, 0331, 0332, 0333, 0334, 0337, 0338, 0340, 0343, 0347, 0348, 0349, 0350, 0351, 0353, 0355, 0358, 0359, 0360, 0363, 0364, 0367, 0370, 0371, 0372, 0374, 0375, 0376, 0377, 0378, 0379, 0381, 0382, 0383, 0388, 0389, 0392, 0394, 0399, 0630, 0634, 0636, 0638, 0640, 0643, 0649, 0653, 0654, 0658, 0660, 0661, 0663, 0665, 0666, 0667, 0668, 0669, 0671, 0672, 0673, 0675, 0676, 0678, 0679, 0680, 0684, 0685, 0687, 0688, 0692, 0693, 0697, 0698, 0699,					0701, 0702, 0703, 0704, 0705, 0707, 0708, 0712, 0714, 0715, 0716, 0718, 0720, 0721, 0724, 0725, 0729, 0731, 0733, 0736, 0738, 0741, 0742, 0746, 0748, 0749, 0751, 0752, 0753, 0754, 0760, 0761, 0764, 0765, 0770, 0771, 0772, 0774, 0776, 0779, 0782, 0783, 0784, 0787, 0789, 0797, 2527, 2528, 2563, 2596. <b>692359</b> Housing-Blower Used on Type No(s). 0682. <b>395513</b> Housing-Blower Used on Type No(s). 0711, 0719, 0732, 0740, 0781, 2529. <b>399177</b> Housing-Blower Used on Type No(s). 0758, 0788.
	<b>304A</b>	<b>392343</b> Housing-Blower (Low Profile) Used on Type No(s). 0713, 0744, 0750, 0755, 0759, 0780, 0785, 0786, 2561, 2562.								
	<b>305</b>	<b>692198</b> Screw (Blower Housing)								

## 导风罩

参考编号	零件号	数量	描述
304	294698		壳, 导风罩
305	692198		拧 - (导风罩房)

Not For Reproduction

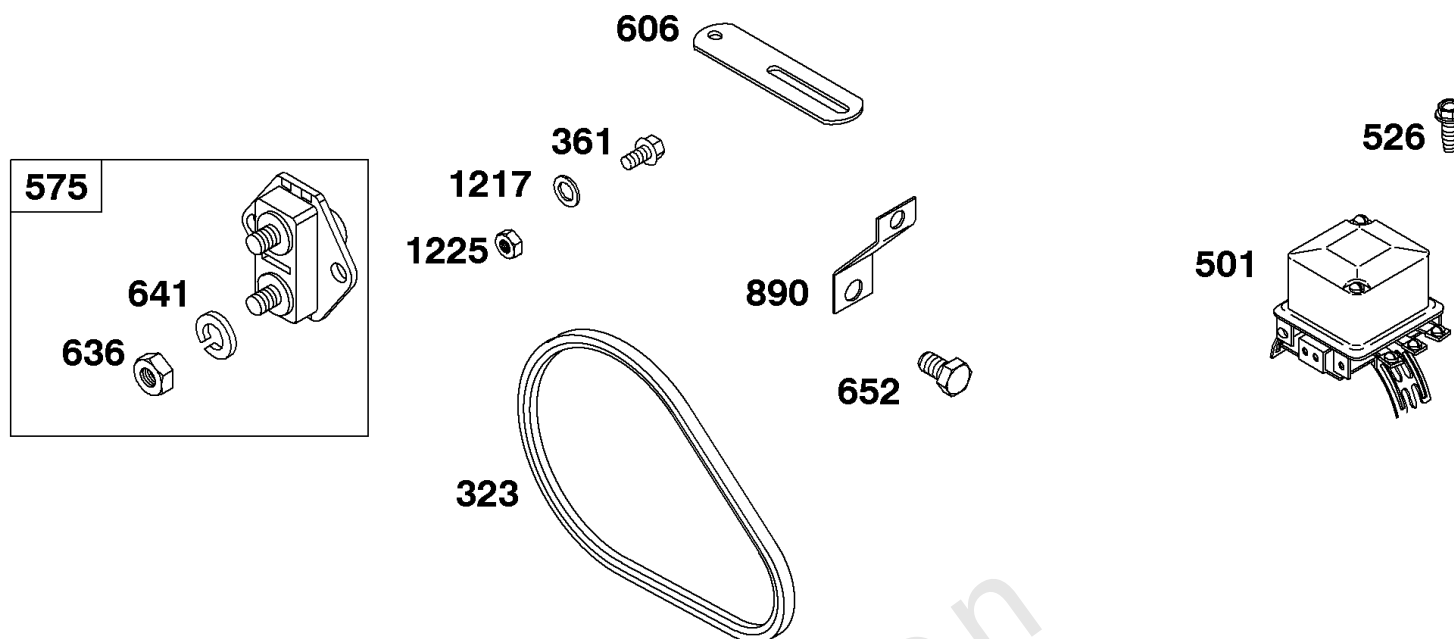


REF. NO.	PART NO.	DESCRIPTION	REF. NO.	PART NO.	DESCRIPTION	REF. NO.	PART NO.	DESCRIPTION
162	690267	Collar-Bell Crank	212	691791	Link-Throttle	268	691025	Casing-Control Wire (Cut to Required Length)
201	261027	Link-Air Vane Used on Type No(s). 0234, 0705.			----- <b>Note</b> ----- 691595 Link-Throttle Used on Type No(s). 0248, 0308, 0358, 0638, 0707, 0770.	269	691026	Wire-Control (Cut to Required Length)
203	690263	Crank-Bell	227	690607	Lever-Governor Control	270	691027	Nut (Control Wire Casing)
205	691681	Screw (Bell Crank) Used on Type No(s). 0136, 0139, 0204, 0228, 0234, 0248, 0328, 0678, 0705.			----- <b>Note</b> ----- 690616 Lever-Governor Control Used on Type No(s). 0611, 0630, 0647, 0651, 0684, 0690, 0706, 0721, 0660, 0671, 0675, 0681, 0683, 0685, 0689, 0692, 0694, 0697, 0699, 0801, 2520, 2527, 2528, 2529, 2550, 2561, 2581, 2582.	271	691028	Lever-Control ----- <b>Note</b> ----- 221987 Lever-Control Used on Type No(s). 0678, 0705.
205A	690810	Screw (Bell Crank)	232	690545	Spring-Governor Link ----- <b>Note</b> ----- 692207 Spring-Governor Link Used on Type No(s). 0248, 0308, 0358, 0638, 0707, 0770.	404	690264	Washer (Governor Crank)
206	691079	Nut-Governor Adjusting	266	494554	Control-Throttle ----- <b>Note</b> ----- 299361 Control-Throttle (Dial Control) Used on Type No(s). 0640, 0652, 0653, 0665.	414	692810	Washer (Bell Crank) Used on Type No(s). 0136, 0139, 0204, 0228, 0234, 0248, 0328, 0678, 0705.
206A	691584	Nut-Governor Adjusting				505	691251	Nut (Governor Control Lever)
208	393613	Rod-Governor Control				562	92613	Bolt (Governor Control Lever)
209	691596	Spring-Governor ----- <b>Note</b> ----- 691789 Spring-Governor Used on Type No(s). 0611, 0630, 0647, 0651, 0690, 0760, 0781, 0801, 2520, 2527, 2528, 2529, 2550, 2581, 2582.				614	691620	Pin-Cotter
211	691790	Spring-Governed Idle Used on Type No(s). 0611, 0630, 0647, 0651, 0690, 0760, 0781, 0801, 2520, 2527, 2528, 2529, 2550, 2581, 2582.				616	291364	Crank-Governor
						629	690538	Spring-Throttle Return Used on Type No(s). 0234, 0631, 0632, 0637, 0641, 0642, 0705, 0803, 2580.
						668	690313	Spacer (Governor Control Rod)



## 弹簧, 控制

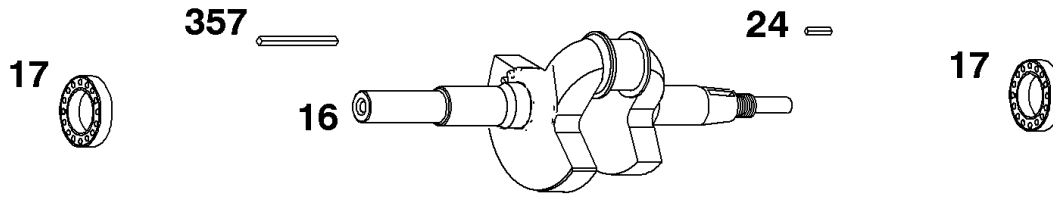
参考编号	零件号	数量	描述
162	690267		拧
203	690263		曲柄, 贝尔
205A	690810		拧 - (曲柄)
206	691079		螺母, 调速调整
206A	691584		螺母, 调速调整
208	393613		杆, 调速控制
209	691596		调速斯普林
212	691791		连接, 节气门
227	690607		杠杆, 调速控制
232	690545		调速/ 弹簧 / 连接
266	494554		控制, 节流
268	691025		外壳, 控制线 - (切成所需长度)
269	691026		电线, 控制 - (切成所需长度)
270	691027		坚果 - (控制线套管)
271	691028		杠杆, 控制
404	690264		垫圈 - (调速克兰克)
505	691251		坚果 - (调速控制杆)
562	92613		螺栓 - (调速杠杆)
614	691620		销, 开口销
616	291364		曲柄, 调速
668	690313		垫片 - (调速控制杆)



REF. NO.	PART NO.	DESCRIPTION	REF. NO.	PART NO.	DESCRIPTION	REF. NO.	PART NO.	DESCRIPTION
323	68898	Belt-Vee (For Low Position Mounting) (35 3/4" Long)	526	690297	Screw (Regulator)	890	221472	Bracket-Support
		----- Note -----	575	692303	Switch-Starting	1217	690282	Washer (Starting Switch)
		68878 Belt-Vee (For High Position Mounting) (36 3/4" Long)	606	221442	Strap-Adjusting	1225	691029	Nut (Starting Switch)
361	691681	Screw (Starting Switch)	636	696198	Nut (Starting Switch) (Terminal)			
501	297196	Regulator (Saddle Mount) (Delco Remy Number 1119577)	641	691075	Washer (Starting Switch) (Terminal)			
			652	693972	Screw (Support Bracket)			

## 整流器, V形带

参考编号	零件号	数量	描述
323	68878		皮带, Vee - (高位) (36 3/4)
323	68898		皮带, Vee - (低位) (35 3/4)
361	691681		拧 - (启动开关)
501	297196		整流器 - (马鞍架) (Delco Remy编号1119577)
526	690297		拧 - (整流器)
575	692303		SWITCH-STARTING
606	221442		吊带, 调整
636	696198		坚果 - (启动开关) (终端)
641	691075		垫圈 - (启动开关) (终端)
652	693972		拧 - (支架)
890	221472		支架, 支持
1217	690282		垫圈 - (启动开关)
1225	691029		坚果 - (启动开关)



REF. NO.	PART NO.	DESCRIPTION	REF. NO.	PART NO.	DESCRIPTION	REF. NO.	PART NO.	DESCRIPTION
16	691797	Crankshaft ----- <b>Note</b> ----- <b>690534</b> Crankshaft Used on Type No(s). 0237, 0133, 0190, 0252, 0315, 0788, 2582. <b>261222</b> Crankshaft Used on Type No(s). 0139, 0204, 0228, 0328, 0678. <b>690535</b> Crankshaft Used on Type No(s). 0050, 0116, 0130, 0143, 0147, 0149, 0150, 0151, 0156, 0167, 0170, 0172, 0173, 0174, 0185, 0186, 0188, 0192, 0193, 0208, 0219, 0231, 0248, 0257, 0286, 0290, 0310, 0317, 0318, 0329, 0337, 0343, 0371, 0636, 0638, 0666, 0669, 0684, 0690, 0706, 0721, 0751, 2550. <b>690536</b> Crankshaft Used on Type No(s). 0022, 0063, 0114, 0129, 0153, 0175, 0176, 0183, 0198, 0205, 0217, 0224, 0233, 0235, 0236, 0238, 0247, 0255, 0261, 0265, 0266, 0273, 0277, 0278, 0279, 0285, 0287, 0291, 0296, 0303, 0320, 0334, 0338, 0340, 0344, 0345, 0346, 0347, 0348, 0353, 0359, 0361, 0363, 0366, 0367, 0374, 0375, 0383, 0385, 0394, 0396, 0633, 0634, 0648, 0650, 0654, 0661,			0671, 0674, 0676, 0680, 0687, 0692, 0693, 0694, 0696, 0698, 0699, 0702, 0703, 0708, 0714, 0718, 0722, 0724, 0729, 0733, 0736, 0746, 0753, 0754, 0757, 0764, 0771, 0772, 0774, 0776, 0782, 0787, 2522, 2563, 2596. Crankshaft <b>(NO LONGER AVAILABLE)</b> Used on Type No(s). 0158, 0160, 0197, 0216, 0237. <b>690537</b> Crankshaft Used on Type No(s). 0210, 0262, 0630. <b>690540</b> Crankshaft Used on Type No(s). 0062, 0241, 0242, 0243, 0244, 0260, 0269, 0272, 0292, 0295, 0297, 0300, 0302, 0312, 0327, 0352, 0365, 0369, 0373, 0391, 0635, 0670, 0681, 0686, 0691, 0719, 0723, 0726, 0730, 0732, 0735, 0737, 0740, 0744, 0745, 0750, 0755, 0759, 0780, 0786, 2562. <b>690541</b> Crankshaft Used on Type No(s). 0061, 0124, 0246, 0253, 0305, 0308, 0335, 0341, 0342, 0646, 0710, 0711, 0713, 0728, 0781, 0785, 2529, 2561.			<b>690543</b> Crankshaft Used on Type No(s). 0259, 0293, 0647, 0756.  <b>691806</b> Crankshaft (Used After Code Date 77072410). Used on Type No(s). 0021, 0112, 0128, 0181, 0189, 0203, 0209, 0254, 0256, 0258, 0314, 0321, 0357, 0362, 0368, 0395, 0656, 0668, 0675, 0709, 0717, 0739, 0743, 0752, 0765, 0778, 0779, 0784, 0789, 0790, 0792, 0793, 0794, 0801, 0802, 0804, 2521, 2526, 2530. Crankshaft (Used Before Code Date 77072510). <b>(NO LONGER AVAILABLE)</b> Used on Type No(s). 0021, 0112, 0128, 0181, 0189, 0203, 0209, 0254, 0256, 0258, 0314, 0321, 0357, 0362, 0368, 0395, 0656, 0668, 0675, 0709, 0717, 0739, 0743, 0752, 0765, 0778, 0779, 0784, 0789, 0790, 0792, 0793, 0794, 0801, 0802, 0804, 2521, 2526, 2530.  <b>690546</b> Crankshaft Used on Type No(s). 0682, 2560. <b>261944</b> Crankshaft Used on Type No(s). 0720, 0758, 0788.
	17	691938			Bearing-Ball			
	24	222698s			Key-Flywheel			
	357	601482			Key-Drive Pulley			

## 曲轴

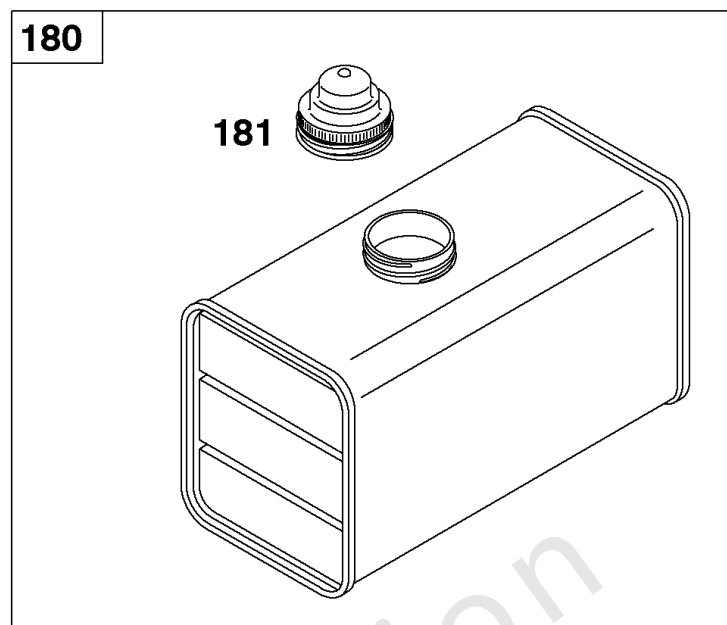
参考编号	零件号	数量	描述
16	691797		曲轴
17	691938		轴承, 球
24	222698S		钥匙, 飞轮
357	691483		键, 驱动皮带轮

Not For Reproduction

## 替代发动机-美国和加拿大

参考编号	零件号	数量	描述
-----			No engine replacement. Repair engine with individual parts.
-----			Top No-Load Speed: 3600 -类型: 01
-----			Service Note: For all Go-Karts use only a Model 136200 series engine as a replacement, regardless of the original Model.

Not For Reproduction



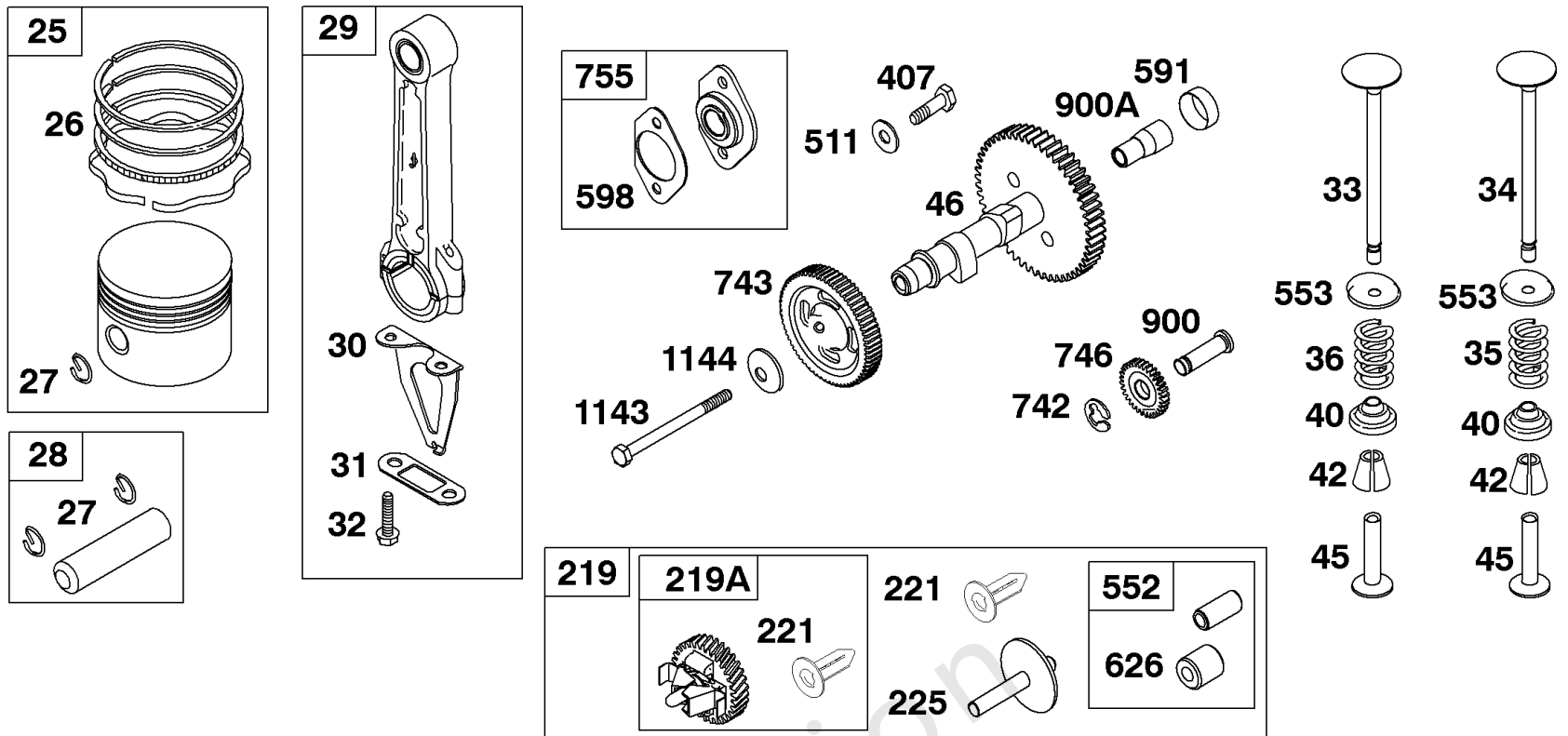
REF. NO.	PART NO.	DESCRIPTION	REF. NO.	PART NO.	DESCRIPTION	REF. NO.	PART NO.	DESCRIPTION
180	291488	Tank-Fuel (6 Quart) ----- Note ----- 290816 Tank-Fuel (4 Quart) 292415 Fuel Tank (8 Quart) Used on Type No(s). 0137, 0140, 0141, 0143, 0148, 0151, 0152, 0153, 0156, 0162, 0163, 0167, 0172, 0173, 0175, 0176, 0178, 0180, 0181, 0183, 0185, 0186, 0197, 0199, 0201, 0203, 0205, 0212, 0215, 0219, 0226, 0227, 0242, 0245, 0249, 0254, 0255, 0257, 0259, 0273, 0282, 0284, 0286, 0289, 0291, 0293, 0300, 0303, 0307, 0311, 0318,			0330, 0336, 0347, 0354, 0369, 0372, 0376, 0377, 0381, 0384, 0392, 0635, 0640, 0647, 0648, 0657, 0659, 0661, 0664, 0666, 0674, 0682, 0685, 0690, 0694, 0696, 0697, 0698, 0704, 0712, 0714, 0721, 0723, 0729, 0730, 0743, 0745, 0746, 0754, 0757, 0771, 0772.	181	791545	Cap-Fuel Tank (Chrome)

## 油箱

参考编号	零件号	数量	描述
180	290816		油箱, 燃料 - (金属) (4夸脱)
180	291488		油箱, 燃料 - (金属) (6夸脱)
181	791545		帽燃油箱 - (金属) (铬)

Not For Reproduction

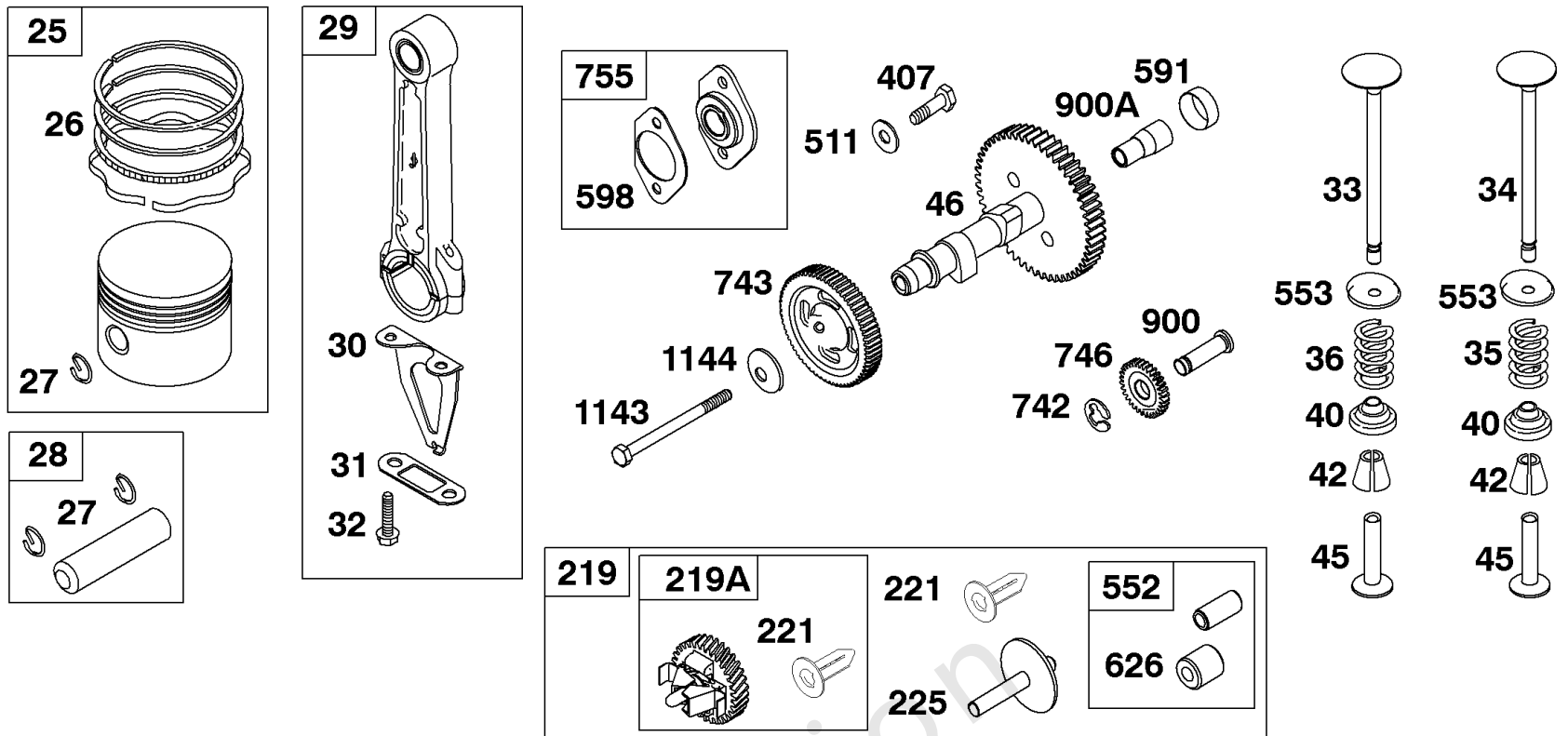




REF. NO.	PART NO.	DESCRIPTION	REF. NO.	PART NO.	DESCRIPTION	REF. NO.	PART NO.	DESCRIPTION
25	792365	Piston Assembly (Standard) ----- <b>Note</b> ----- 792367 Piston Assembly (.020" Oversize)	32	692345	Screw (Connecting Rod)	511	690402	Washer (Camshaft Bearing)
26	792366	Ring Set (Standard) ----- <b>Note</b> ----- 792368 Ring Set (.020" Oversize)	33	394436	Valve-Exhaust	552	393666	Bushing-Governor Crank
27	691792	Lock-Piston Pin	34	394435	Valve-Intake	553	690269	Retainer-Valve Spring
28	299691	Pin-Piston (Standard) ----- <b>Note</b> ----- 391286 Pin-Piston (.005" Oversize)	35	691597	Spring-Valve (Intake)	591	691746	Plug-Camshaft
29	299632	Rod-Connecting (Standard) ----- <b>Note</b> ----- 390306 Rod-Connecting (.020" Undersize)	36	691597	Spring-Valve (Exhaust)	598	270516	Shim-End Play (Camshaft Bearing) (.009" Thick) ----- <b>Note</b> ----- 270517 Shim-End Play (Camshaft Bearing) (.007" Thick) 270518 Shim-End Play (Camshaft Bearing) (.005" Thick)
30	691726	Dipper-Connecting Rod	40	691939	Retainer-Valve ----- <b>Note</b> ----- 690274 Retainer-Valve	626	690512	Spacer-Governor Crank
31	690396	Lock-Rod Screw	42	494553	Keeper-Valve (Used After Code Date 80111200). ----- <b>Note</b> ----- 68283 Keeper-Valve (Used Before Code Date 80111300).	742	691080	Retainer-E Ring
			45	691594	Tappet-Valve	743	691153	Gear-Drive
			46	692855	Camshaft	746	691803	Gear-Idler
			219	291192	Gear-Governor (Used Before Code Date 78062000).	755	299706	Bearing-Camshaft
			219A	393720	Gear-Governor	900	691767	Shaft-Gear
			221	841026	Cup-Governor	900A	691768	Shaft-Gear
			225	691357	Shaft-Governor Gear	1143	691081	Screw (Drive Gear Cover)
			407	690810	Screw (Camshaft Bearing)	1144	690301	Washer (Drive Gear Cover)

## 活塞, 环, 连杆, 凸轮轴, 阀门

参考编号	零件号	数量	描述
1	395663		缸体组件
25	792365		活塞组件 - (标准)
25	792367		活塞组件 - (.020加大)
26	792366		套装, 戒指 - (标准) (铬)
26	792368		套装, 戒指 - (.020加大)
27	691792		锁, 活塞销
28	299691		销, 活塞 - (标准)
28	391286		销, 活塞 - (.005加大)
29	390306		杆, 连接 - (.020 Undersize)
29	299632		杆, 连接 - (标准)
30	691726		飞溅, 连杆
31	690396		锁, 杆螺丝
32	692345		拧 - (连杆)
33	394436		排气阀门
34	394435		阀门, 摄入量
35	691597		弹簧, 阀门 - (录取)
36	691597		弹簧, 阀门 - (排气)
40	691939		定位器阀门 - (排气)
42	494553		固定, 阀门 - (排气) 代码日期80111200后使用
42	68283		保持器, 阀门 - 在代码日期80111300 - 之前使用
45	691594		挺杆, 阀门
46	692855		凸轮轴
219	291192		调速, 齿轮 - 在代码日期78062000 - 之前使用
219A	393720		调速, 齿轮
221	841026		银联, 调速
225	691357		轴, 调速齿轮
407	690810		拧 - (凸轮轴轴承)
511	690402		垫圈 - (凸轮轴轴承)
552	393666		布什, 调速克拉克
553	690269		保持器, 阀门
591	691746		塞, 凸轮轴
598	270517		垫片, 结束游戏 - (曲轴或凸轮轴轴承) (.007)
598	270518		垫片, 结束游戏 - (曲轴或凸轮轴轴承) (.005)
598	270516		垫片, 结束游戏 - (曲轴或凸轮轴轴承) (.009)
626	690512		垫片 - (调速杠杆)

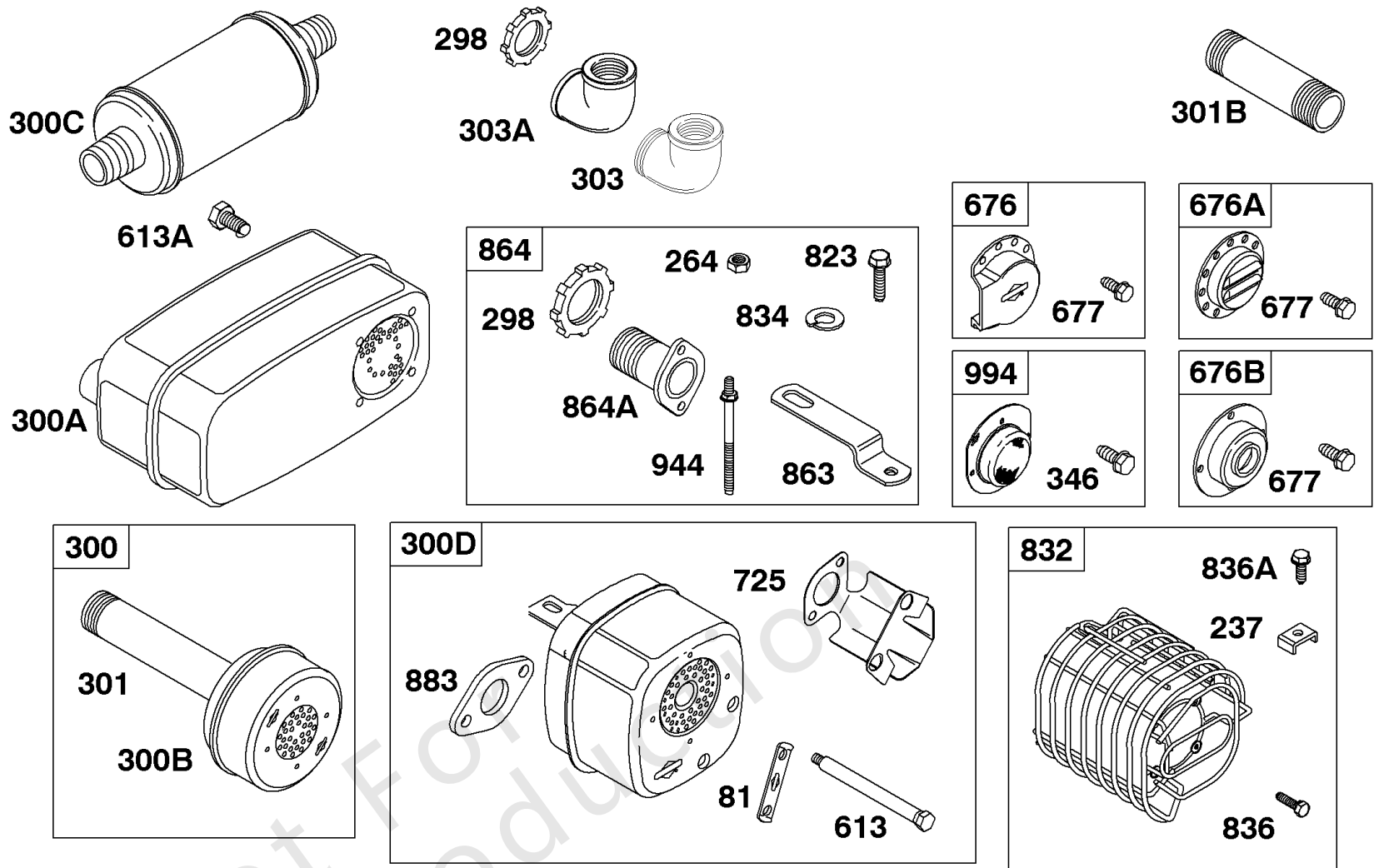


REF. NO.	PART NO.	DESCRIPTION	REF. NO.	PART NO.	DESCRIPTION	REF. NO.	PART NO.	DESCRIPTION
25	792365	Piston Assembly (Standard) ----- <b>Note</b> ----- 792367 Piston Assembly (.020" Oversize)	32	692345	Screw (Connecting Rod)	511	690402	Washer (Camshaft Bearing)
26	792366	Ring Set (Standard) ----- <b>Note</b> ----- 792368 Ring Set (.020" Oversize)	33	394436	Valve-Exhaust	552	393666	Bushing-Governor Crank
27	691792	Lock-Piston Pin	34	394435	Valve-Intake	553	690269	Retainer-Valve Spring
28	299691	Pin-Piston (Standard) ----- <b>Note</b> ----- 391286 Pin-Piston (.005" Oversize)	35	691597	Spring-Valve (Intake)	591	691746	Plug-Camshaft
29	299632	Rod-Connecting (Standard) ----- <b>Note</b> ----- 390306 Rod-Connecting (.020" Undersize)	36	691597	Spring-Valve (Exhaust)	598	270516	Shim-End Play (Camshaft Bearing) (.009" Thick) ----- <b>Note</b> ----- 270517 Shim-End Play (Camshaft Bearing) (.007" Thick) 270518 Shim-End Play (Camshaft Bearing) (.005" Thick)
30	691726	Dipper-Connecting Rod	40	691939	Retainer-Valve ----- <b>Note</b> ----- 690274 Retainer-Valve	626	690512	Spacer-Governor Crank
31	690396	Lock-Rod Screw	42	494553	Keeper-Valve (Used After Code Date 80111200). ----- <b>Note</b> ----- 68283 Keeper-Valve (Used Before Code Date 80111300).	742	691080	Retainer-E Ring
			45	691594	Tappet-Valve	743	691153	Gear-Drive
			46	692855	Camshaft	746	691803	Gear-Idler
			219	291192	Gear-Governor (Used Before Code Date 78062000).	755	299706	Bearing-Camshaft
			219A	393720	Gear-Governor	900	691767	Shaft-Gear
			221	841026	Cup-Governor	900A	691768	Shaft-Gear
			225	691357	Shaft-Governor Gear	1143	691081	Screw (Drive Gear Cover)
			407	690810	Screw (Camshaft Bearing)	1144	690301	Washer (Drive Gear Cover)

## 活塞, 环, 连杆, 凸轮轴, 阀门

参考编号	零件号	数量	描述
742	691080		固定器, E戒指
743	691153		齿轮, 驱动器
746	691803		齿轮, 怠速
755	299706		轴承, 凸轮轴
900	691767		轴, 齿轮
900A	691768		轴, 齿轮
1143	691081		拧 - (驱动齿轮盖)
1144	690301		垫圈 - (驱动齿轮盖)

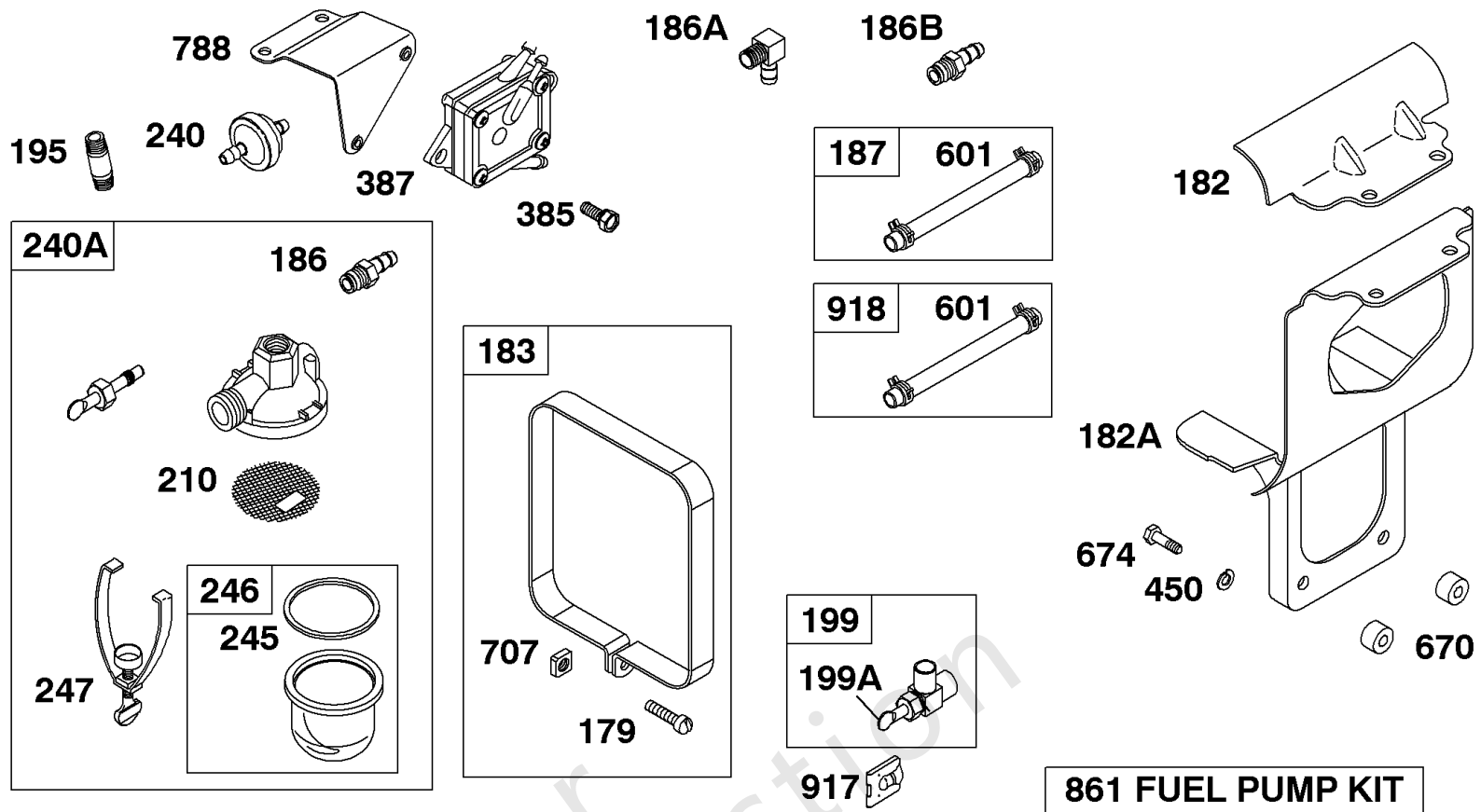
Not For Reproduction



REF. NO.	PART NO.	DESCRIPTION	REF. NO.	PART NO.	DESCRIPTION	REF. NO.	PART NO.	DESCRIPTION
81	691178	Lock-Muffler Screw	303	690281	Elbow-Exhaust (1", 90 Degree)	676	393761	Deflector-Muffler
237	690409	Retainer-Muffler Guard	303A	91296	Elbow-Exhaust (1", 90 Degree) Used on Type No(s). 0391, 0686, 0726, 0732, 0737, 0744, 0750, 0759, 0781.	676A	397630	Deflector-Muffler
264	691105	Nut (Muffler Adapter)			----- Note -----	676B	396903	Deflector-Muffler
298	691808	Locknut-Muffler/Elbow			91415 Elbow-Exhaust (1", 45 Degree)	677	690661	Screw (Muffler Deflector)
300	393232S	Muffler	346	690661	Screw (Spark Arrestor)	725	690420	Shield-Heat
300A	498984S	Muffler	613	691416	Screw (Muffler)	823	690810	Screw (Muffler Adapter)
300B	392989	Muffler	613A	690297	Screw (Muffler) (Used After Code Date 97012300).	832	690648	Guard-Muffler
300C	291519	Muffler			----- Note -----	834	691075	Washer (Muffler Adapter)
300D	399635	Muffler			692198 Screw (Exhaust Muffler) (Used Before Code Date 97012400).	836	691083	Screw (Muffler Guard) (1" Long)
301	93734	Pipe-Exhaust (8" Long)				836A	690367	Screw (Muffler Guard) (2/3" Long)
301B	91416	Pipe-Exhaust (1 1/2" Long) Used on Type No(s). 0163, 0327.				863	694016	Bracket-Muffler
						864	394584	Adapter-Muffler
						864A	690637	Adapter-Muffler
						883	692236	Gasket-Exhaust
						944	691690	Stud (Muffler Adapter)
						994	392390	Arrestor-Spark

## 消音器, 盾牌

参考编号	零件号	数量	描述
81	691178		锁, 消音器螺丝
237	690409		固定器, 消音器护卫
264	691105		锁紧螺母 - (消音器适配器)
298	691808		锁紧螺母 - (围巾和肘部)
300	393232S		围巾
300A	498984S		围巾
300B	392989		围巾
300C	291519		围巾
300D	399635		围巾 - (方形罗音)
301	93734		适配器, 消音器 -(8)
303	690281		歧管, 排气 - (1 90度)
303	91415		弯头, 排气管 - (45度)
346	690661		拧 - (火花捕捉器)
613	691416		拧 - (围巾)
613A	692198		拧 - (消音器) 在代码日期97012400 -之前使用
613A	690297		拧 - (消音器) 代码日期97012300后使用
676	393761		消除器, 消音器 - (侧面插座)
676A	397630		消除器, 消音器 - (百叶窗出口)
676B	396903		消除器, 消音器
677	690661		拧 - (消音器导流板)
725	690420		护罩, 热
823	690810		拧 - (消音器适配器)
832	690648		保护, 围巾
834	691075		垫圈 - (消音器适配器)
836	691083		拧 - (围巾卫队) (1)
836A	690367		拧 - (围巾卫队) (2/3)
863	694016		支架, 消音器
864	394584		适配器, 消音器
864A	690637		适配器, 消音器
883	692236		垫片, 排气
944	691690		螺柱 - (消音器适配器)
994	392390		捕捉器, 火花



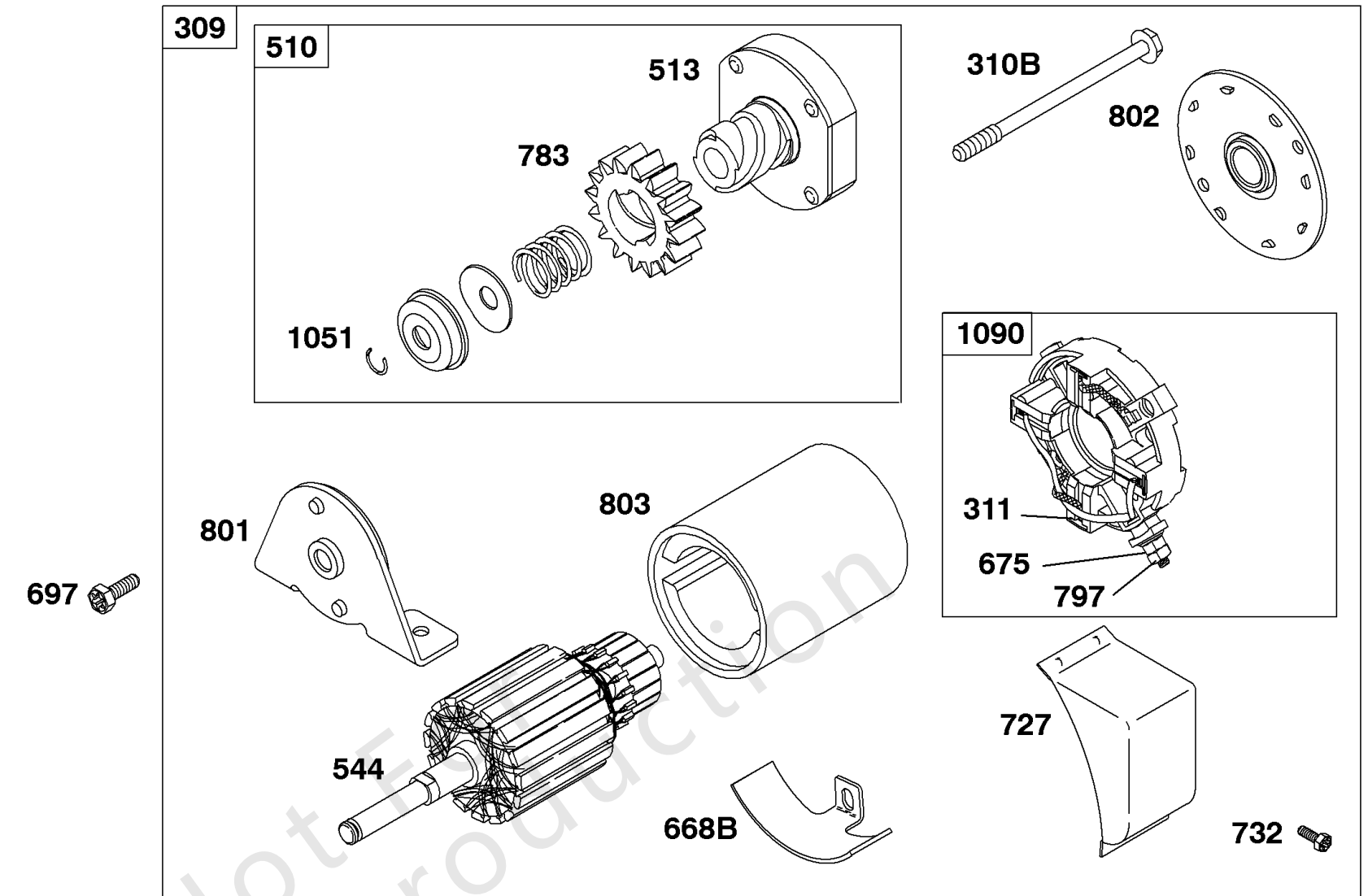
861 FUEL PUMP KIT

REF. NO.	PART NO.	DESCRIPTION	REF. NO.	PART NO.	DESCRIPTION	REF. NO.	PART NO.	DESCRIPTION
179	690280	Screw (Fuel Tank Strap)	187	499167	Line-Fuel (Cut to Required Length)	387	808656	Pump-Fuel
182	691068	Bracket-Fuel Tank				450	691075	Washer (Fuel Tank Bracket)
		----- Note -----			----- Note -----	601	791850	Clamp-Hose
	222669	Bracket-Fuel Tank		89248	Line-Fuel (2 1/4" Long)	670	690505	Spacer-Fuel Tank
		Used on Type No(s). 0205, 0291, 0648.			Used on Type No(s). 0080, 0386, 0387, 0393, 0395, 0396, 0397, 0631, 0640, 0641, 0662, 2580.	674	690303	Screw (Fuel Tank Bracket)
182A	690262	Bracket-Fuel Tank	195	91635	Nipple-Fuel	707	690279	Nut (Fuel Tank Strap)
183	691937	Strap-Fuel Tank	199	692302	Valve-Fuel Shut Off	788	224123	Bracket-Fuel Pump
		----- Note -----	199A	691940	Valve-Fuel Shut Off	861	394462	Kit-Fuel Pump (Walbro)
	291367	Strap-Fuel Tank (4 Quart)	210	691962	Strainer-Fuel			----- Note -----
		Used on Type No(s). 0206, 0211, 0213, 0229, 0271.	240	298090S	Filter-Fuel			791885 Kit-Fuel Pump Used on Type No(s). 0170, 0182, 0198, 0248, 0309, 0331, 0638, 0679, 0744, 0755, 0759.
186	691764	Connector-Hose			----- Note -----	917	691737	Handle-Shut Off Valve
186A	691609	Connector-Hose		394358S	Filter-Fuel Used on Type No(s). 0630, 0705, 0707, 0724, 0744, 0750, 0755, 0759, 0770, 0774, 2581.	918	393815	Hose-Vacuum (Cylinder To Impulse Pump) (Cut to Required Length)
186B	231238	Connector-Hose	240A	690612	Filter-Fuel			
			245	692190	Gasket-Fuel Bowl			
			246	298683	Bowl-Fuel Filter			
			247	691700	Yoke-Bowl			
			385	692198	Screw (Fuel Pump)			

## 燃油泵, 燃油滤清器

参考编号	零件号	数量	描述
179	690280		拧 - (油箱带)
182	691068		支架, 油箱
182A	690262		支架, 油箱
183	691937		STRAP-FUEL TANK
186	691764		CONNECTOR-HOSE - (脉冲线)
186A	691609		连接器, 软管
186B	231238		连接器, 软管 - (金属燃料管)
187	499167		管, 燃油 - (切成所需长度)
195	91635		喷嘴, 燃料
199	692302		阀门, 燃油关闭 - (金属)
199A	691940		阀门, 燃油关闭 - (金属)
210	691962		过滤器, 燃料
240	298090S		过滤器, 燃料
240A	690612		FILTER-FUEL
245	692190		垫片, 燃料碗
246	298683		碗, 燃油滤清器
247	691700		支架, 碗
385	692198		拧 - (燃油泵)
387	808656		泵, 燃料
450	691075		垫圈 - (油箱支架)
601	791850		夹子, 软管
670	690505		垫片, 油箱
674	690303		拧 - (油箱支架)
707	690279		坚果 - (油箱带)
788	224123		支架, 燃油泵
861	394462		套件, 燃油泵 - (Walbro) (仅限泵参考387A)
917	691737		阀门, 处理关闭
918	393815		软管, 真空 - (缸体到脉冲泵) (切割到所需长度)

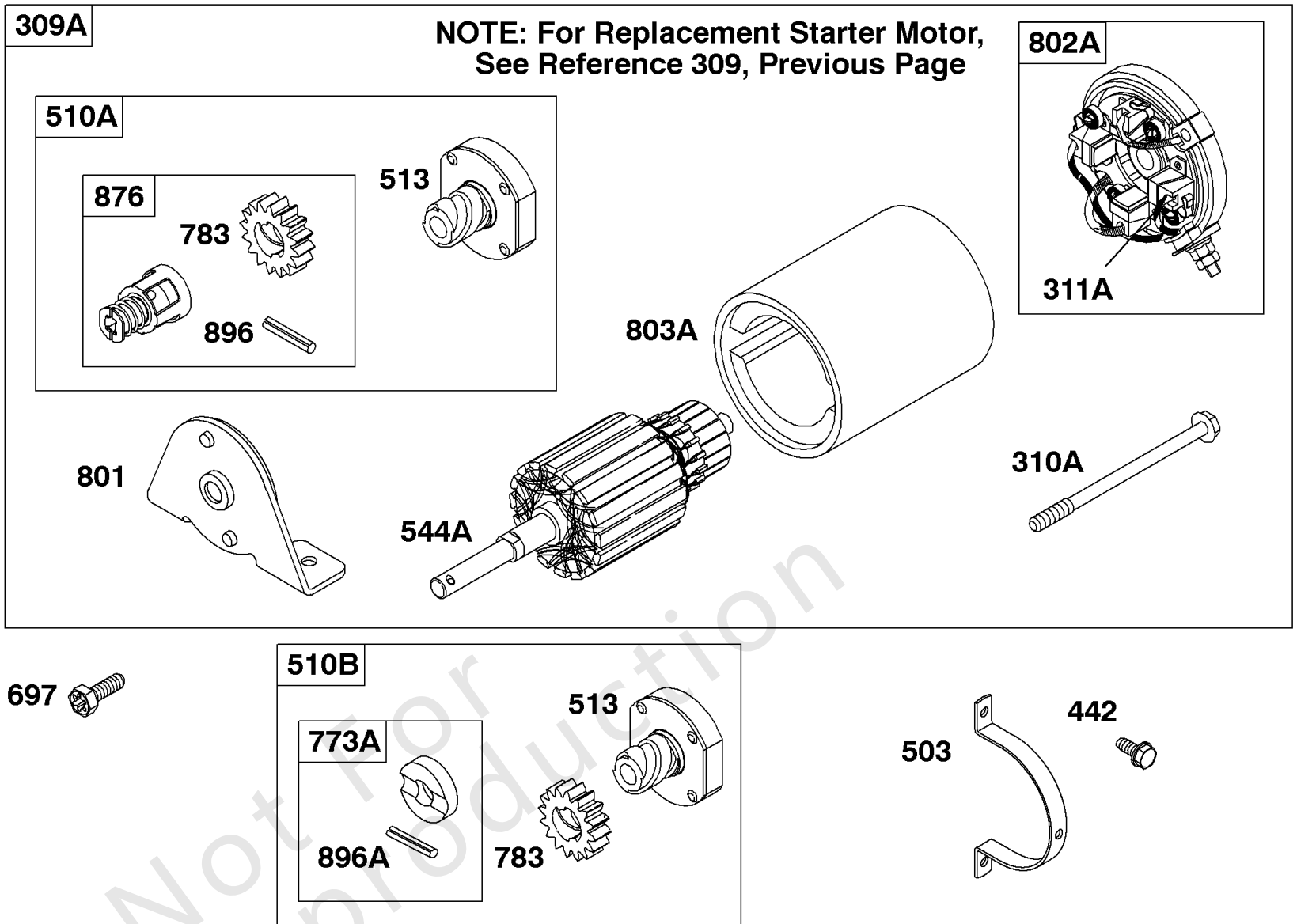




REF. NO.	PART NO.	DESCRIPTION	REF. NO.	PART NO.	DESCRIPTION	REF. NO.	PART NO.	DESCRIPTION
309	396306	Motor-Starter	668B	396515	Spacer	797	691029	Nut (Brush Retainer)
310B	691263	Screw (Starter Motor) (4 3/4" Long)	675	691261	Washer (Brush Retainer)	801	394802	Cap-Drive
311	497608	Brush Set	697	691058	Screw (Drive Cap)	802	691286	Cap-End
510	696541	Drive-Starter	727	692338	Cover-Starter Drive	803		Housing-Starter (Serviced By 396306 Starter Motor Only)
513	692024	Clutch-Drive	732	93410	Screw (Starter Drive Cover)	1051	691265	Ring-Retaining
544		Armature-Starter (Serviced By 396306 Starter Motor Only)	783	695708	Gear-Pinion	1090	691293	Retainer-Brush

## 电启动器1

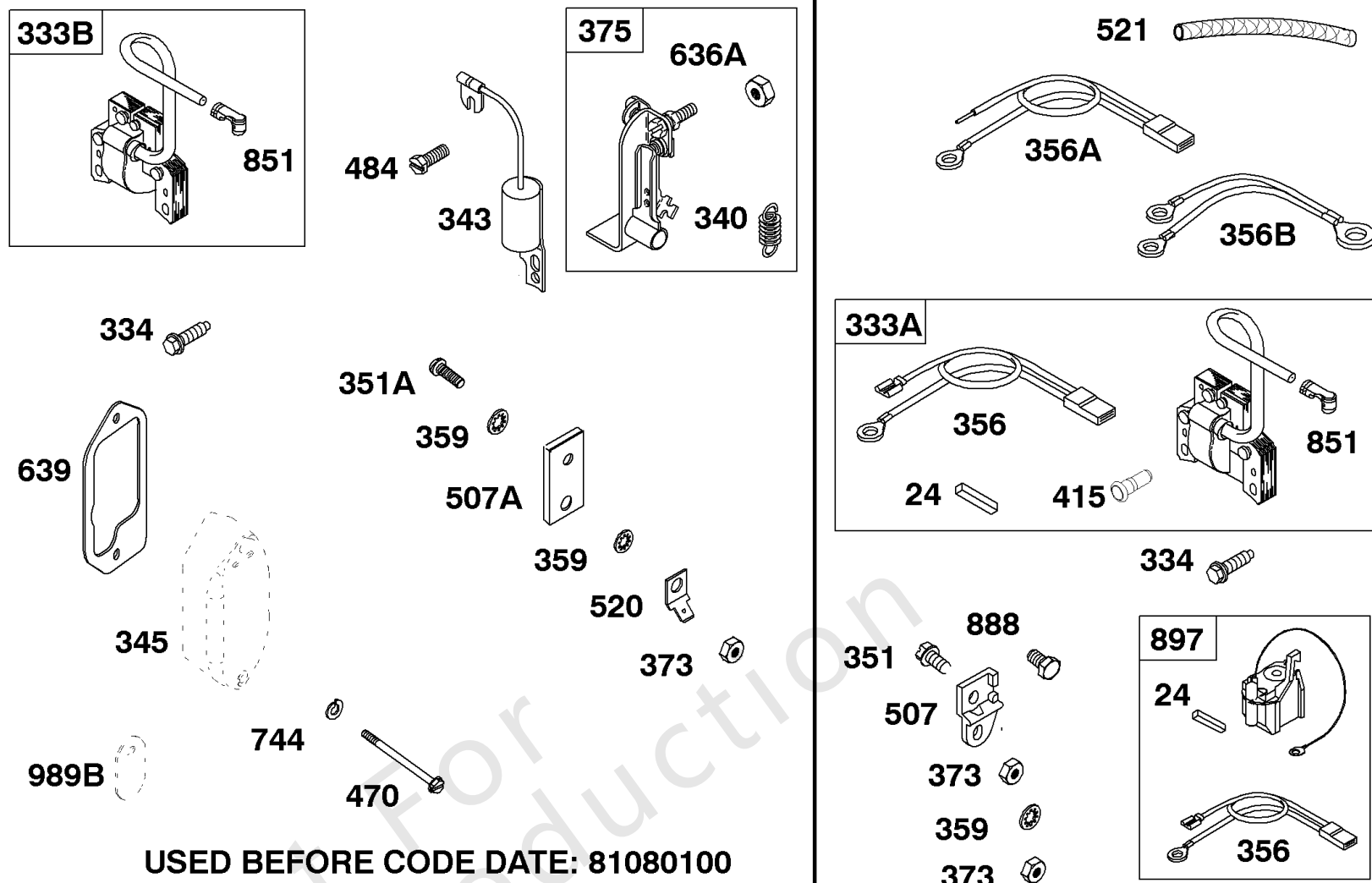
参考编号	零件号	数量	描述
309	396306		马达, 启动
310B	691263		螺栓 - (启动马达) (4 3/4) (4 3/8外壳)
311	497608		套装, 刷子
510	696541		驱动, 启动
513	692024		离合器, 驱动器
544	-----		Armature-Starter - (仅与396306启动马达一起使用)
668B	396515		垫片
675	691261		垫圈 - (刷子保持器)
697	691058		拧 - (传动帽)
727	692338		COVER-STARTER DRIVE
732	93410		拧 - (入门驱动器盖)
783	695708		GEAR-PINION
797	691029		坚果 - (刷子保持器)
801	394802		盖, 驱动
802	691286		盖, 结束
803	-----		房屋起动 - (仅与396306启动马达一起使用)
1051	691265		戒指, 保留
1090	691293		固定器, 刷子



REF. NO.	PART NO.	DESCRIPTION	REF. NO.	PART NO.	DESCRIPTION	REF. NO.	PART NO.	DESCRIPTION
<b>309A</b>		Motor-Starter (For Replacement Starter Motor, See Reference 309, Previous Page)	<b>503</b>	<b>690406</b>	Strap-Starter	<b>801</b>	<b>394802</b>	Cap-Drive
			<b>510A</b>	<b>696540</b>	Drive-Starter	<b>802A</b>	<b>395537</b>	Cap-End
			<b>510B</b>	<b>696535</b>	Drive-Starter	<b>803A</b>	<b>494205</b>	Housing-Starter
			<b>513</b>	<b>692024</b>	Clutch-Drive	<b>876</b>	<b>696539</b>	Kit-Pinion Spring
<b>310A</b>	<b>692329</b>	Screw (Starter Motor) (5" Long)	<b>544A</b>	<b>490309</b>	Armature Starter	<b>896</b>	<b>691641</b>	Pin-Drive Retainer (Copper)
			<b>697</b>	<b>691058</b>	Screw (Drive Cap)	<b>896A</b>	<b>94192</b>	Pin-Drive Retainer (Black)
<b>311A</b>	<b>395538</b>	Brush Set	<b>773A</b>	<b>391462</b>	Retainer			
<b>442</b>	<b>691693</b>	Screw (Starter Strap)	<b>783</b>	<b>693059</b>	Gear-Pinion			

## 电启动器2

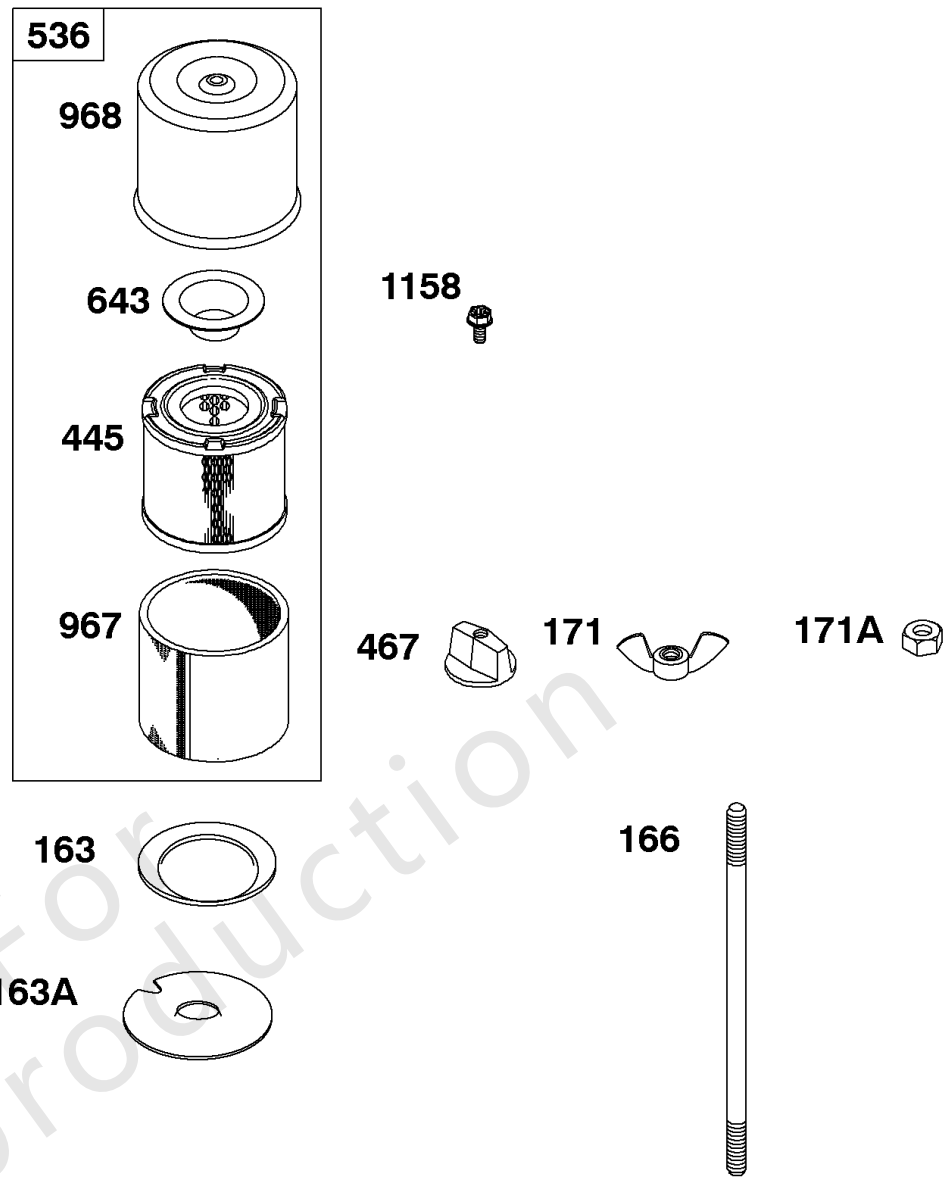
参考编号	零件号	数量	描述
309A	-----		启动马达 - (对于更换启动马达, 订货参考309)
310A	692329		螺栓 - (启动马达) (5) (4 1/2和4 3/8外壳)
311A	395538		套装, 刷子 - (3 5/8壳)
442	691693		拧 - (入门表带)
503	690406		吊带, 启动
510A	696540		驱动, 启动
510B	696535		驱动, 启动
513	692024		离合器, 驱动器
544A	490309		电枢, 启动 - (4 1/2和4 3/8房屋)
697	691058		拧 - (传动帽)
773A	391462		固定器
783	695708		GEAR-PINION
801	394802		盖, 驱动
802A	395537		盖, 结束 - (3 5/8壳)
803A	494205		壳, 初学者 - (4 3/8房屋)
876	696539		套件, 销弹簧
896	691641		销, 驱动固定器 - (铜)
896A	94192		销, 驱动固定器 - (黑色)



REF. NO.	PART NO.	DESCRIPTION	REF. NO.	PART NO.	DESCRIPTION	REF. NO.	PART NO.	DESCRIPTION
24	222698S	Key-Flywheel	356	398808	Wire-Stop	507	690584	Insulator
333A	398811	Armature-Magneto (Breaker Ignition) (Used After Code Date 81073100).	356A	690650	Wire-Stop (Used With Magneto Armature, Reference 333A)	507A	66895	Insulator
333B	298968	Armature-Magneto (Breaker Ignition) (Used Before Code Date 81080100).	356B	396585	Wire-Stop (Used on Type No(s). 0643, 0646, 0735.)	<p>----- <b>Note</b> -----  <b>299598</b> Insulator                      Used on Type No(s). 0131.</p>		
334	691061	Screw (Magneto Armature)	359	691077	Washer (Ground Terminal)	520	691084	Terminal-Ground
340	26018	Spring-Breaker Arm	373	691612	Nut (Ground Terminal)	521	291508	Shield-Cable
343	298060	Condenser	375	298185	Breaker-Ignition	636A	230783	Nut (Starting Switch)
345		Cover-Breaker <b>(NO LONGER AVAILABLE)</b>	415	692882	Plug	639	692913	Gasket-Breaker Box
351	690292	Screw (Ground Terminal)	470	692836	Screw (Breaker Cover)	744	690277	Washer (Breaker Cover)
351A	690295	Screw (Ground Terminal)	484	690294	Screw (Condenser)	851	493880S	Terminal-Spark Plug
						888	690295	Screw (Insulator)
						897	394970	Kit-MAGNETRON® Ignition (Used After Code Date 81080100 and Before Code Date 85012200).
						989B		Stop Switch-Spark Plug <b>(NO LONGER AVAILABLE)</b>

## 电枢, 电线

参考编号	零件号	数量	描述
24	222698S		钥匙, 飞轮
333A	398811		电枢, 磁电机 - (断路器点火) 在代码日期81073100 -之后使用
333B	298968		电枢, 磁电机 - (断路器点火) 在代码日期81080100 -之前使用
334	691061		拧 - (磁电枢)
340	26018		弹簧, 断路器臂
343	298060		冷凝器
345	-----		Cover-Breaker - (不再可用)
351	690292		拧 - (接地端)
351A	690295		拧 - (接地端)
356	398808		线, 停止 - (切成所需长度)
356A	690650		线, 停止 - (与电枢 Magneto一起使用, 参考文献333A)
359	691077		垫圈 - (接地端)
373	691612		坚果 - (接地端)
375	298185		断路器, 点火器
415	692882		插头
470	692836		拧 - (断路器盖)
484	690294		拧 - (冷凝器)
507	690584		绝缘子
507A	66895		绝缘子
520	691084		端子, 地面
521	291508		护罩, 保护性
636A	230783		坚果 - (启动开关)
639	692913		垫片, 断路器箱
744	690277		垫圈 - (断路器盖)
851	493880S		TERMINAL-SPARK PLUG
888	690295		拧 - (绝缘子)
897	394970		套件, 磁控管点火 -代码日期后使用81080100代码日期85012200 -之前使用
989B	-----		Stop Switch-Spark Plug - (不再可用)



REF. NO.	PART NO.	DESCRIPTION	REF. NO.	PART NO.	DESCRIPTION	REF. NO.	PART NO.	DESCRIPTION
163	67247	Gasket-Air Cleaner Used on Type No(s). 0308.	171	691331	Nut (Air Cleaner)	643	691730	Retainer-Air Filter
163A	270987	Gasket-Air Cleaner	171A	690284	Nut (Air Cleaner)	967	271794S	Filter-Pre Cleaner
166	691241	Stud-Air Cleaner (9 1/2" Long)	445	393957S	Filter-Air Cleaner Cartridge	968	691755	Cover-Air Cleaner
			467	691668	Knob-Air Cleaner	1158	690293	Screw (Carburetor) (Used to Plug Air Cleaner Stud Hole)
			536	391063	Cleaner-Air			Used on Type No(s). 0262, 0630.

## 空气滤清器

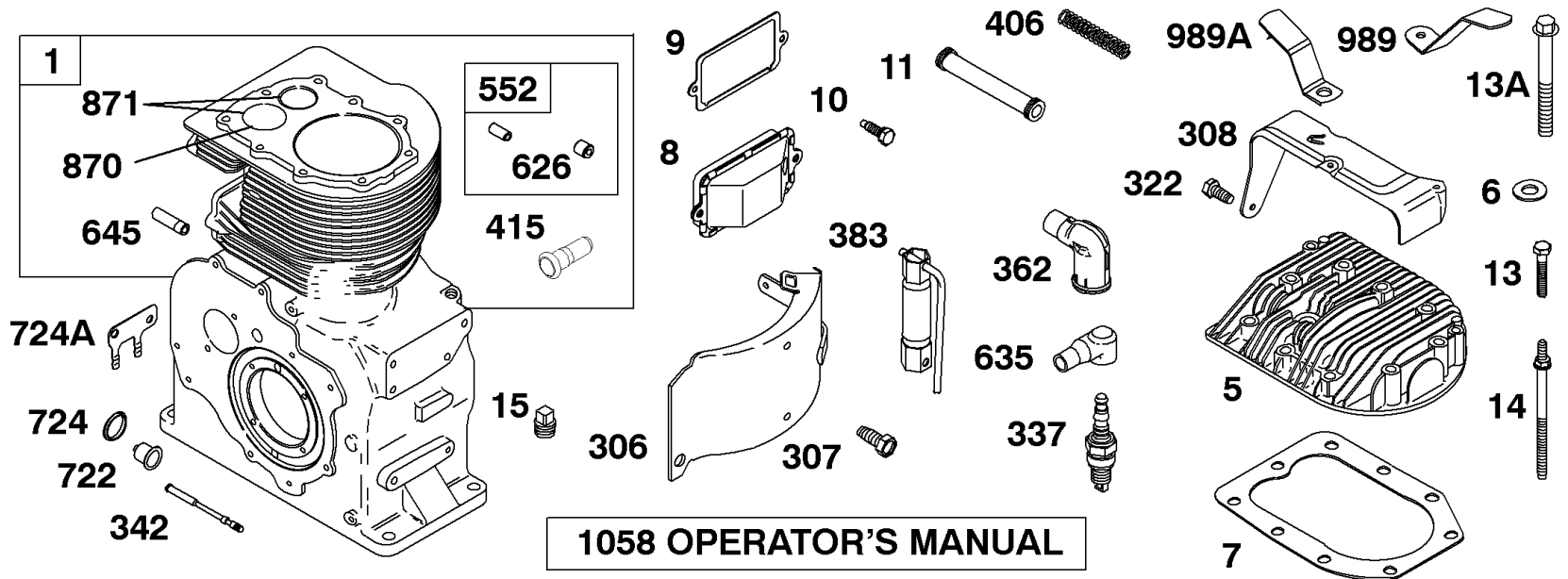
参考编号	零件号	数量	描述
163A	270987		垫片, 空气滤清器 - (空气滤清器)
166	691241		螺柱 - (空气滤清器) (9 1/2)
171	691331		坚果 - (空气滤清器)
171A	690284		坚果 - (空气滤清器)
445	393957S		过滤器, 空气滤清器盒
467	691668		把手, 空气滤清器盖
536	391063		清洁剂, 空气
643	691730		固定器, 空气过滤器
967	271794S		过滤器, 预滤
968	691755		盖子, 空气滤清器

Not For Reproduction



# 缸体, 头, 火花塞

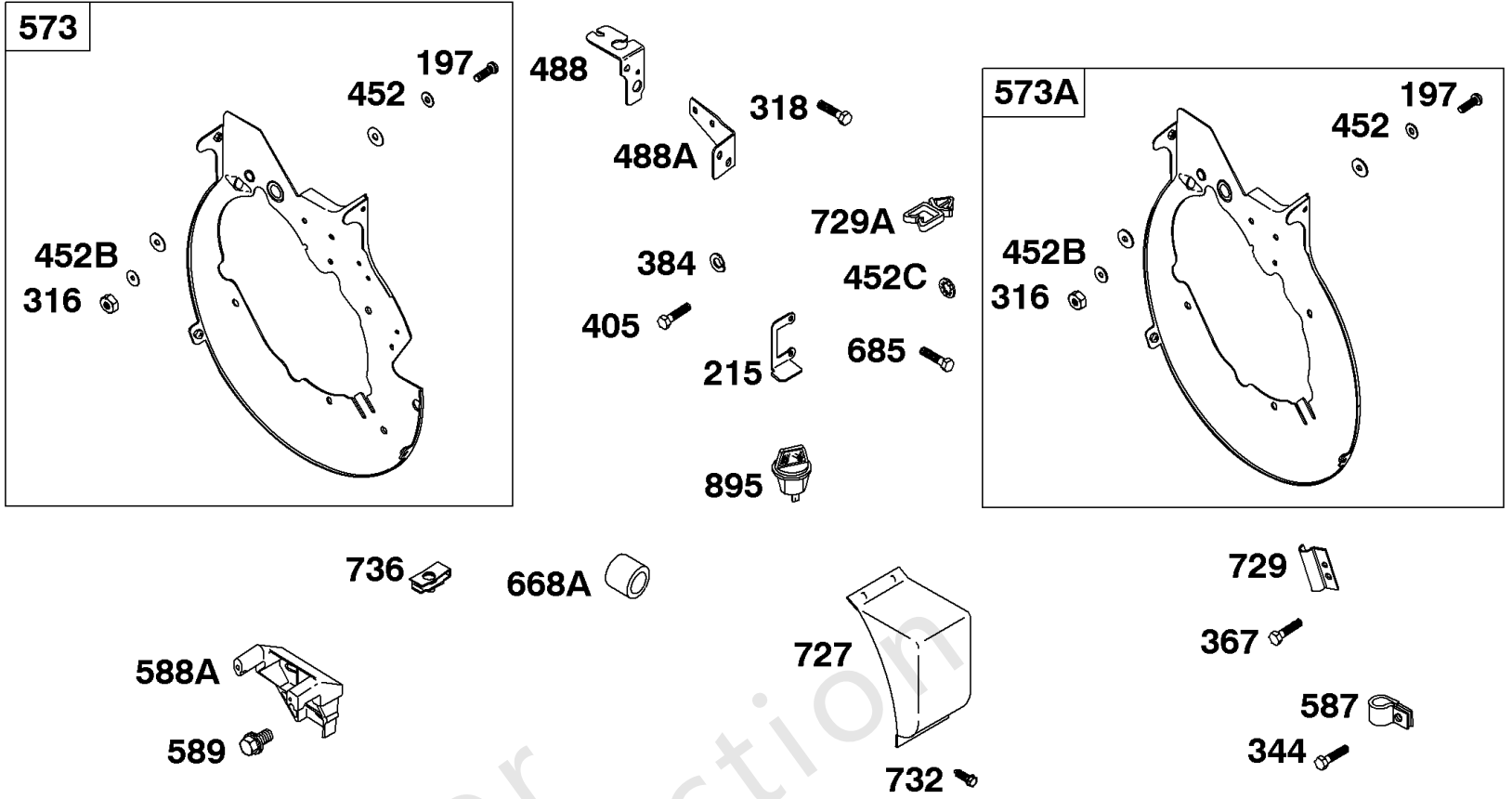
制造编号: 326431-0127-99



REF. NO.	PART NO.	DESCRIPTION	REF. NO.	PART NO.	DESCRIPTION	REF. NO.	PART NO.	DESCRIPTION
1	395663	Cylinder Assembly	308	691731	Cover-Cylinder Head (Used After Code Date 75060800).	870	691583	Seat-Valve (Exhaust)
5	691712	Head-Cylinder				871	231218	Bushing-Valve Guide
6	691261	Washer (Cylinder Head)				989	690578	Stop Switch- Spark Plug
7	692231	Gasket-Cylinder Head						----- Note ----- <b>293739</b> Stop Switch- Spark Plug
8	495738	Breather Assembly						Used on Type No(s). 0200.
9	27803S	Gasket-Breather						<b>298926</b> Stop Switch- Spark Plug
10	690294	Screw (Breather Assembly)						Used on Type No(s). 0028, 0062, 0138, 0187, 0195, 0220, 0232, 0237, 0238, 0243, 0266, 0295, 0320, 0327, 0658, 0663, 0675, 0680, 0681, 0687, 0691, 0729, 0730, 0735, 2528, 2562.
11	691512	Tube-Breather						<b>390785</b> Stop Switch- Spark Plug
13	691614	Screw (Cylinder Head) (1 3/4" Long)	322	692198	Screw (Cylinder Head Cover)			Used on Type No(s). 0640, 0734.
		----- Note ----- <b>691640</b> Screw (Cylinder Head) (2 1/16" Long)	337	802592S	Plug-Spark	989A	690633	Stop Switch- Spark Plug
13A	691441	Screw (Cylinder Head) (2 7/16" Long)	342	298125S	Plunger-Breaker			
14	691690	Stud (Cylinder Head)	362	691954	Shield-Spark Plug	1058	270373	Operator's Manual
15	692833	Plug-Oil Drain	383	89838	Wrench-Spark Plug			
306	299536	Shield-Cylinder	406	690533	Spring-Breather Tube			
307	690294	Screw (Cylinder Shield)	415	692882	Plug			
			552	393666	Bushing-Governor Crank			
			626	690512	Spacer-Governor Crank			
			635	66538S	Boot-Spark Plug			
			645	692880	Bushing-Plunger			
			722	68768	Seal-Plunger			
			724	93516	Retainer-Seal			
			724A	221873	Retainer-Seal			

## 缸体, 头, 火花塞

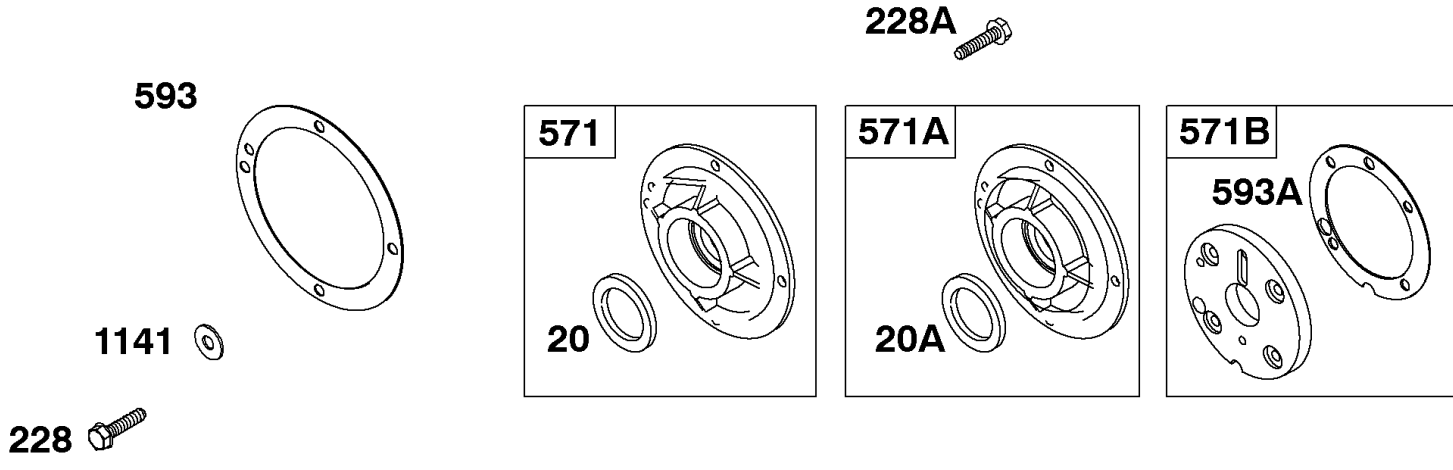
参考编号	零件号	数量	描述
1	395663		缸体组件
5	691712		头, 缸体
6	691261		垫圈 - (缸头)
7	692231		垫片, 缸头
8	495738		呼吸器 组件
9	27803S		垫片, 呼吸器
10	690294		拧 - (呼吸器组装)
11	691512		管子, 呼吸器
13	691640		拧 - (缸头) (2 1/16)
13	691614		拧 - (缸头) (1 3/4)
13A	691441		拧 - (缸头) (2 7/16)
14	691690		螺柱 - (缸头)
15	692833		插头, 排油
306	299536		护罩, 缸体
307	690294		拧 - (缸体护罩)
308	691731		盖子, 缸头 -在代码日期75060800 -之后使用
322	692198		拧 - (缸头罩)
337	802592S		塞, 火花 - (电阻器)
342	298125S		柱塞, 断路器
362	691954		护罩, 火花塞
383	89838S		Wrench-Spark Plug
406	690533		弹簧, 呼吸管
415	692882		插头
552	393666		布什, 调速克拉克
626	690512		垫片 - (调速杠杆)
635	66538S		帽, 火花塞
645	692880		衬套, 柱塞
722	68768		密封, 柱塞
724	93516		保留, 密封
724A	221873		保留, 密封
870	691583		座椅, 阀门 - (排气)
871	231218		套管, 阀门导轨 - (录取)
989	690578		开关, 火花塞停止
989A	690633		开关, 火花塞停止
1058	270373		手动, 操作员



REF. NO.	PART NO.	DESCRIPTION	REF. NO.	PART NO.	DESCRIPTION	REF. NO.	PART NO.	DESCRIPTION
197	90072	Screw (Back Plate)	452	92864	Washer (Back Plate)	668A	231065	Spacer Used on Type No(s). 0164, 0240.
215	222445	Guide-Air	452B	26404	Washer (Back Plate)	685	690661	Screw (Rectifier)
316	691612	Nut (Back Plate)	452C	691077	Washer (Back Plate)	727	692338	Cover-Starter Drive
318	691666	Screw (Mounting Bracket)	488	222211	Bracket-Fuse	729	690432	Clip-Wire (Alternator)
344	690305	Screw (Cable Clamp)	488A	222345	Bracket-Fuse	729A	690588	Clip-Wire
367	690305	Screw (Wire Clip)	573	391220	Plate-Back <b>(Used on Engines With Electric Start Only)</b>	732	93410	Screw (Starter Drive Cover)
384	690371	Washer (Back Plate)	573A	299450	Plate-Back	736	690302	Nut-Clip
405	690290	Screw (Back Plate)	587	690389	Clamp-Cable	895	692309	Switch-Rotary
			588A	690375	Bracket-Armature <b>(Used on Engines With Electric Starter)</b>			
			589	690300	Screw (Armature Bracket)			

## 背板

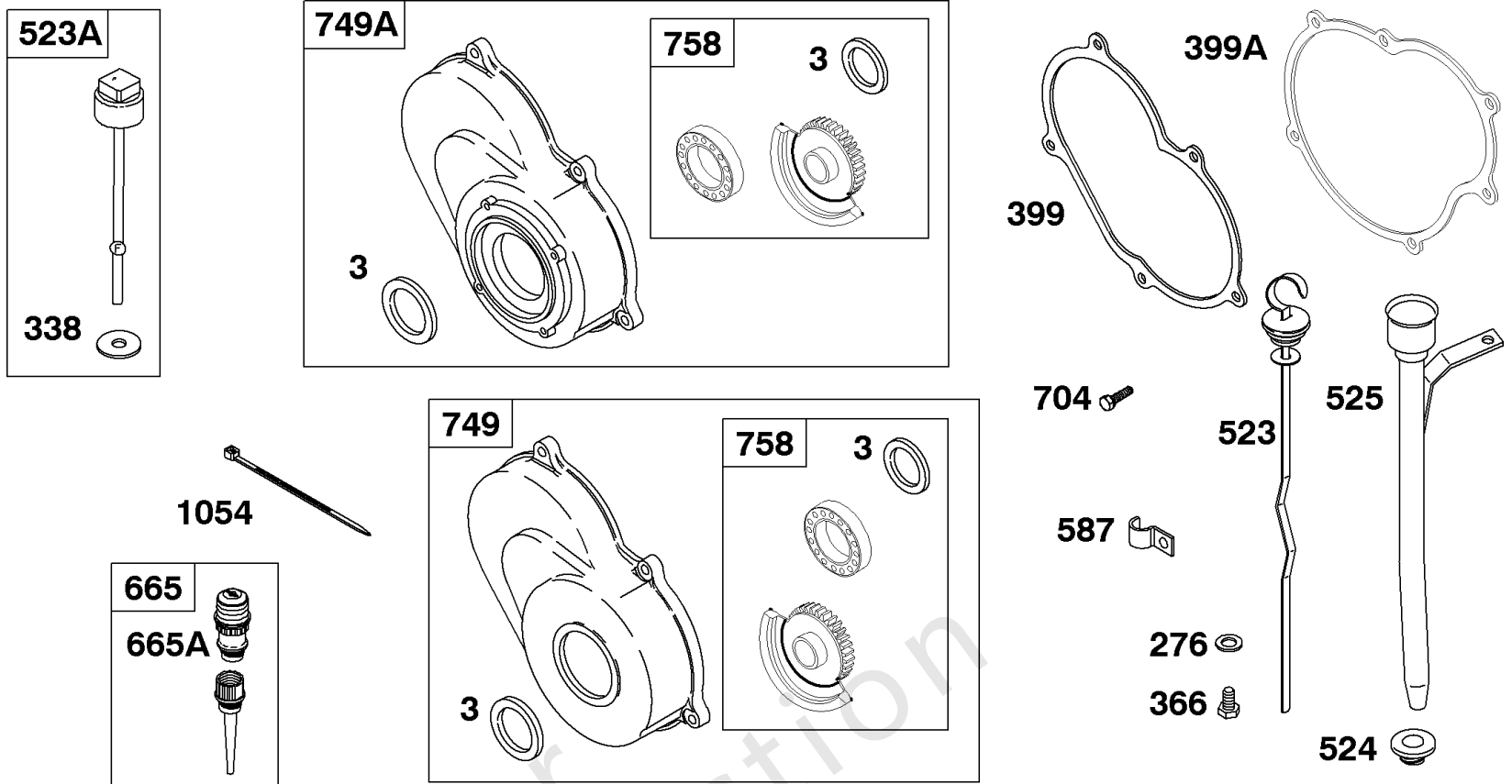
参考编号	零件号	数量	描述
197	90072		拧 - (背板)
215	222445		指南, 空气
316	691612		坚果 - (背板)
318	691666		拧 - (安装支架)
344	690305		拧 - (电缆夹)
367	690305		拧 - (线夹)
384	690371		垫圈 - (背板)
405	690290		拧 - (背板)
452	92864		垫圈 - (背板)
452B	26404		垫圈 - (背板)
452C	691077		垫圈 - (背板)
488	222211		支架, 安装
488A	222345		支架, 安装
573	391220		板, 返回 - (编号0484)
573A	299450		板, 返回
587	690389		夹子, 电缆
588A	690375		支架, 电枢 - (编号0484)
589	690300		拧 - (电枢支架)
685	690661		拧 - (整流器)
727	692338		COVER-STARTER DRIVE
729	690432		夹子, 线 - (发电线圈)
729A	690588		夹子, 线
732	93410		拧 - (入门驱动器盖)
736	690302		坚果
895	692309		旋转, 旋转



REF. NO.	PART NO.	DESCRIPTION	REF. NO.	PART NO.	DESCRIPTION	REF. NO.	PART NO.	DESCRIPTION	
20	691948	Seal-Oil (PTO Side)			0359, 0361, 0368, 0373, 0374, 0383, 0385, 0395, 0396, 0634, 0636, 0648, 0650, 0656, 0661, 0666, 0670, 0671, 0674, 0675, 0684, 0686, 0690, 0692, 0693, 0696, 0698, 0699, 0702, 0703, 0706, 0708, 0709, 0714, 0717, 0721, 0724, 0726, 0732, 0733, 0735, 0737, 0739, 0740, 0743, 0744, 0745, 0746, 0750, 0751, 0752, 0753, 0754, 0755, 0757, 0759, 0771, 0776, 0780, 0783, 0784, 0789, 0794, 0801, 0802, 2522, 2550, 2562, 2563, 2596.	571B	299705	Support-Bearing (Magneto Side)	
20A	291675S	Seal-Oil (PTO Side)				593	691311	Gasket-Bearing Support	
228	691681	Screw (Bearing Support)				593A	270513	Gasket-Bearing Support (.015" Thick)	
228A	691058	Screw (Bearing Support)				<p>----- Note -----</p>			
571	391062	Support-Bearing					270514	Gasket-Bearing Support (.010" Thick)	
571A	291665	Support-Bearing Used on Type No(s). 0022, 0050, 0062, 0063, 0112, 0113, 0114, 0116, 0130, 0143, 0147, 0149, 0150, 0151, 0153, 0156, 0160, 0167, 0171, 0172, 0173, 0174, 0175, 0176, 0183, 0185, 0186, 0188, 0192, 0193, 0196, 0197, 0198, 0205, 0208, 0209, 0216, 0217, 0219, 0224, 0233, 0235, 0236, 0241, 0242, 0244, 0247, 0255, 0256, 0257, 0260, 0261, 0265, 0266, 0269, 0272, 0273, 0277, 0278, 0279, 0285, 0286, 0287, 0290, 0291, 0292, 0296, 0297, 0302, 0303, 0304, 0310, 0312, 0318, 0327, 0329, 0334, 0337, 0338, 0340, 0344, 0345, 0347, 0357,						270515	Gasket-Bearing Support (.005" Thick)
						1141	690402	Washer (Bearing Support)	
						<p>----- Note -----</p>			
							291710	Support-Bearing Used on Type No(s). 0647, 0668, 0682, 0713, 0717, 0755, 0772, 0782, 0788, 0790, 0792, 0793, 0801, 0804, 2521, 2530.	

## 轴承支撑, 垫圈

参考编号	零件号	数量	描述
20	691948		海豹油 - (PTO方)
20A	291675S		海豹油 - (PTO方)
228	691681		拧 - (轴承支撑)
228A	691058		拧 - (轴承支撑)
571	391062		支持, 轴承
571B	299705		支持, 轴承 - (磁铁侧)
593	691311		GASKET-CRANKCASE COVER
593A	270515		垫圈, 轴承支撑 -(.005)
593A	270514		垫圈, 轴承支撑 -(.010)
593A	270513		垫圈, 轴承支撑 -(.015)
1141	690402		垫圈 - (轴承支撑)

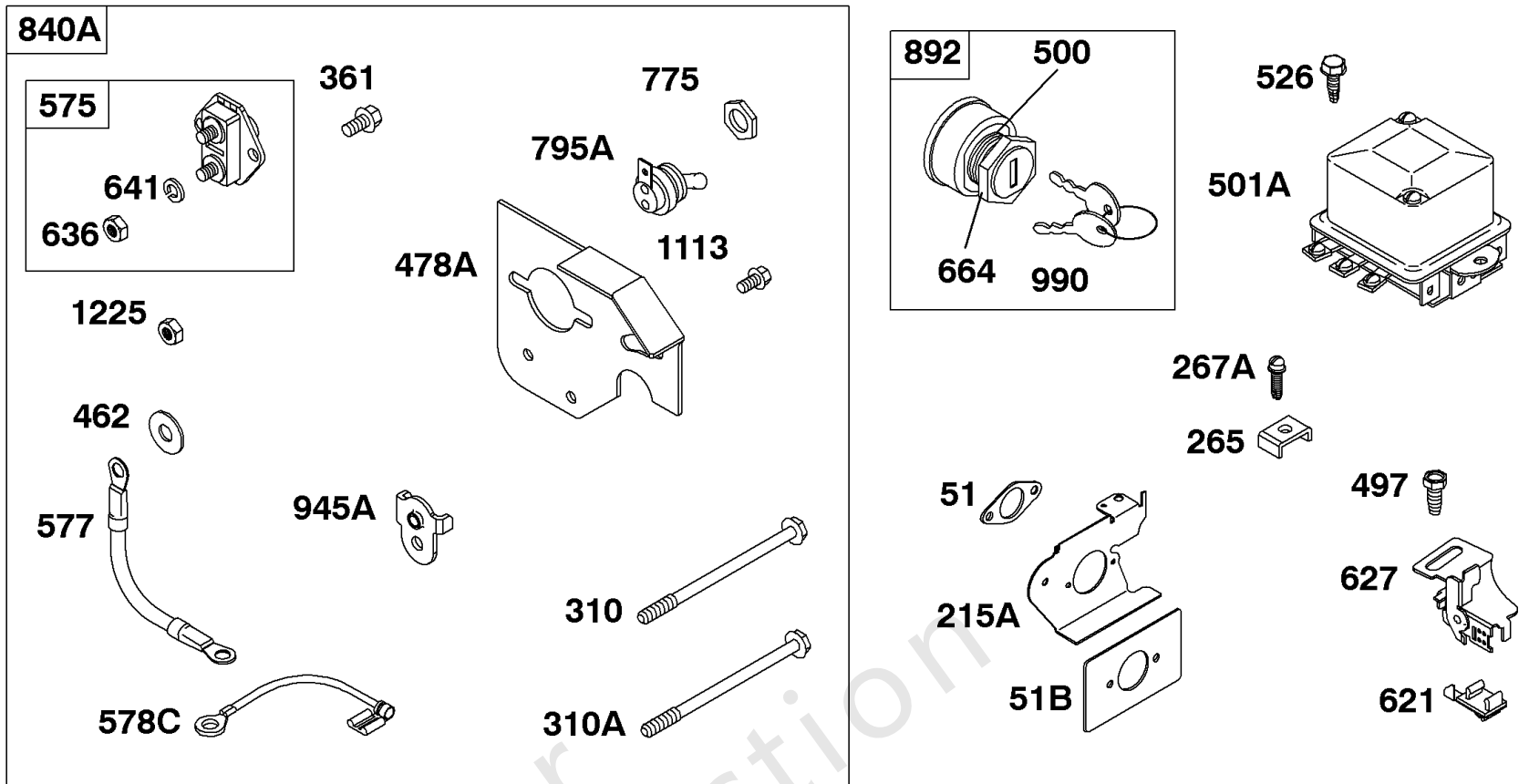


REF. NO.	PART NO.	DESCRIPTION	REF. NO.	PART NO.	DESCRIPTION	REF. NO.	PART NO.	DESCRIPTION
3	691948	Seal-Oil (Magneto Side)	525	690622	Tube-Dipstick ----- Note ----- 690623 Tube-Dipstick Used on Type No(s). 0121, 0144, 0157, 0158, 0164, 0165, 0169, 0170, 0182, 0184, 0192, 0198, 0210, 0222, 0234, 0235, 0240, 0248, 0262, 0266, 0309, 0312, 0316, 0331, 0338, 0341, 0351, 0358, 0630, 0638, 0679, 0705, 0707, 0724, 0744, 0750, 0755, 0770, 1160, 2581.	587	690389	Clamp-Cable
276	690258	Washer-Sealing				665	298860	Minder-Oil
338	690270	Gasket-Dipstick				665A	692939	Minder-Oil
366	690304	Screw (Timing Hole Plug)				704	691083	Screw (Counterweight Cover)
399	691310	Gasket-Counterweight Cover (Magneto Side)				749	391061	Cover-Counterweight
399A	692914	Gasket-Counterweight Cover (PTO Side)				749A	391361	Cover-Counterweight <b>(Used on Alternator Equipped Engines)</b>
523	691352	Dipstick				758	393164	Counterweight
523A	690620	Dipstick				1054	280275	Tie-Cable
524	281370S	Seal-Dipstick Tube						

## 配重盖, 加油

参考编号	零件号	数量	描述
3	691948		海豹油 - (磁铁侧)
276	690258		垫片, 密封
338	690270		密封圈, O形圈 - (试纸管)
366	690304		拧 - (定时孔塞)
399	691310		垫片, 配重盖 - (磁铁侧)
399A	692914		垫片, 配重盖 - (PTO方)
523	691352		机油尺
523A	690620		销, 开口销
524	281370S		Seal-Dipstick Tube - (试纸管)
525	690622		TUBE-DIPSTICK
587	690389		夹子, 电缆
665	298860		保护, 机油
665A	692939		保护, 机油
704	691083		拧 - (配重盖)
749	391061		盖子, 齿轮
749A	391361		盖子, 齿轮 - (用于配备发电线圈的发动机)
758	393164		平衡块
1054	280275		束, 电缆

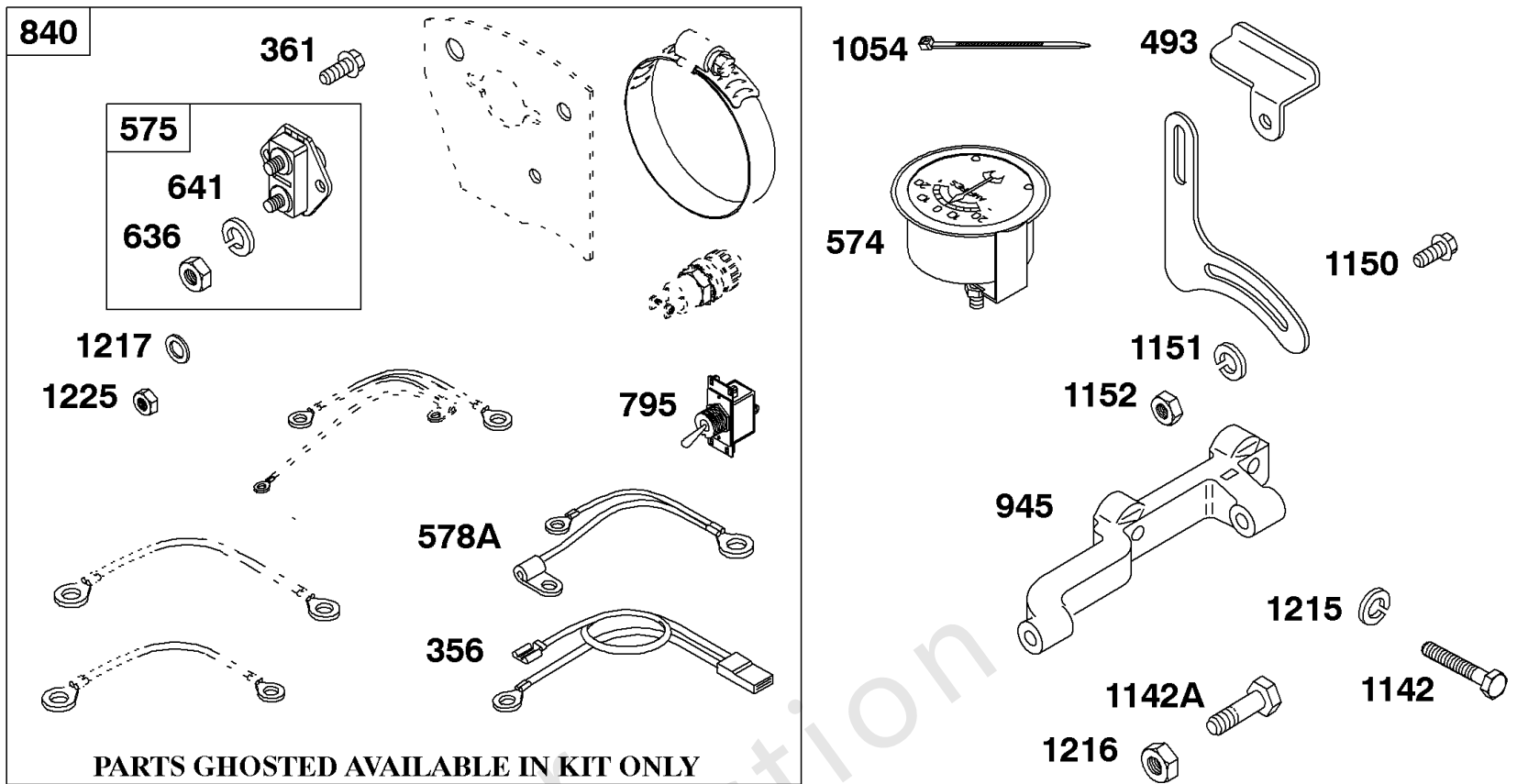




REF. NO.	PART NO.	DESCRIPTION	REF. NO.	PART NO.	DESCRIPTION	REF. NO.	PART NO.	DESCRIPTION
51	27381	Gasket-Intake	500	691086	Washer (Key Switch)	775	690315	Nut (Toggle Switch)
51B	692917	Gasket-Intake	501A	295924	Regulator (Flat Mount) (Delco Remy No. 1118988) Used on Type No(s). 0199.	795A	496590	Switch-Toggle
215A	291871	Guide-Air	526	690297	Screw (Regulator)	840A	395408	Kit-Panel (Toggle Switch) ----- Note ----- 395409 Kit-Panel (Key Switch)
265	692179	Clamp-Casing	575	692303	Switch-Starting	892	392833	Switch-Key
267A	93107	Screw (Casing Clamp) ----- Note ----- 691044 Screw (Casing Clamp) Used on Type No(s). 0644, 0672.	577	690630	Cable-Starter	945A	692132	Bracket-Starter Motor
310	690323	Screw (Starter Motor) (4" Long)	578C	690647	Wire Assembly	990	691959	Key Set
310A	692329	Screw (Starter Motor) (5" Long)	621	297472S	Switch-Stop	1113	691681	Screw (Panel)
361	93415	Screw (Starting Switch)	627	392884	Bracket-Stopswitch	1225	691029	Nut (Starting Switch)
462	690282	Washer (Starter Cable)	636	696198	Nut (Starting Switch) (Terminal)			
478A	395410	Panel	641	691075	Washer (Starting Switch)			
497	692198	Screw (Stopswitch Bracket)	664	691087	Nut (Key Switch)			

## 面板套件, 整流器, 钥匙开关

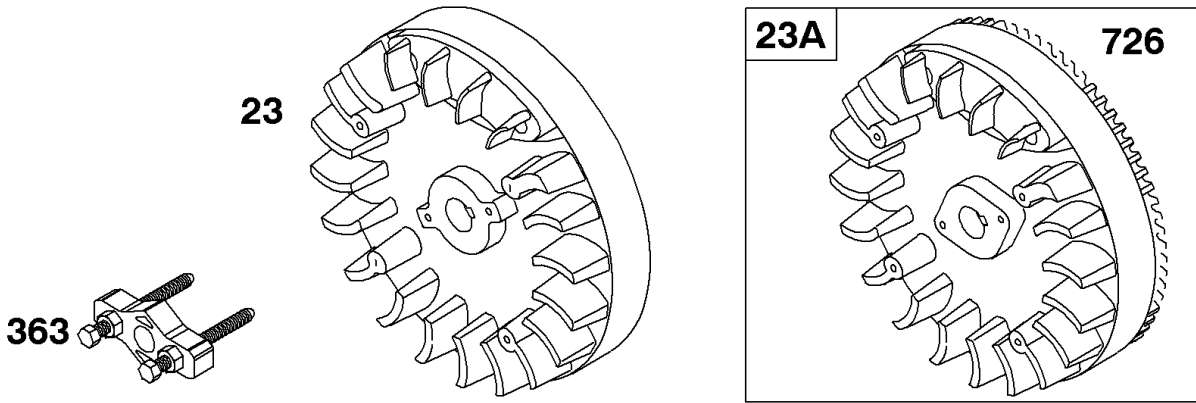
参考编号	零件号	数量	描述
51	27381S		垫片, 进气管
51B	692917		垫片, 进气管
215A	291871		指南, 空气
265	692179		CLAMP-CASING
267A	93107		拧 - (线夹)
310	690323		拧 - (启动马达)
310A	692329		螺栓 - (启动马达) (5) (4 1/2和4 3/8外壳)
361	691681		拧 - (启动开关)
462	690282		垫圈 - (入门电缆)
478A	395410		套件, 小组
497	692198		拧 - (熄火开关支架)
500	691086		垫圈 - (钥匙开关)
526	690297		拧 - (整流器)
575	692303		SWITCH-STARTING
577	690630		电缆, 启动
578C	690647		线组 - (1线, 23) (绝缘支撑环端子和Push-OnInsulated支持母刀架端子)
621	297472S		转, 停
627	392884		支架, 熄火开关
636	696198		坚果 - (启动开关) (终端)
641	691075		垫圈 - (启动开关) (终端)
664	691087		坚果 - (钥匙开关)
775	690315		坚果 - (拨动开关)
795A	496590		切换, 切换
840A	395409		套件, 小组 - (钥匙开关)
840A	395408		套件, 小组 - (拨动开关)
892	392833		开关, 钥匙
945A	692132		支架, 启动马达
990	691959		套装, Key
1113	691681		拧 - (面板)
1225	691029		坚果 - (启动开关)



REF. NO.	PART NO.	DESCRIPTION	REF. NO.	PART NO.	DESCRIPTION	REF. NO.	PART NO.	DESCRIPTION
356	398808	Wire-Stop	795	298590	Switch-Toggle	1215	691075	Washer (Starter Bracket)
361	93415	Screw (Starting Switch)	840	298561	Kit-Panel (Generator Panel)	1216	691105	Nut (Starter Bracket)
493	221933	Bracket-Mounting	945	211785	Bracket-Starter Motor	1217	690282	Washer (Starting Switch)
574	295158	Ammeter (Stewart Warner Number 357-W)	1054	280275	Tie-Cable	1225	691029	Nut (Starting Switch)
575	692303	Switch-Starting	1142	690303	Screw (Starter Motor Bracket)			
578A	298582	Wire Assembly	1142A	691614	Screw (Starter Motor Bracket) (1 3/4" Long)			
636	696198	Nut (Starting Switch) (Terminal)	1150	691058	Screw (Adjusting Strap)			
641	691075	Washer (Starting Switch) (Terminal)	1151	690282	Washer (Adjusting Strap)			
			1152	691105	Nut (Adjusting Strap)			

## 面板套件, 量具, 电线

参考编号	零件号	数量	描述
356	398808		线, 停止 - (切成所需长度)
361	691681		拧 - (启动开关)
493	221933		支架, 启动马达
574	295158		电表 - (斯图尔特华纳编号357-W)
575	692303		SWITCH-STARTING
578A	298582		线组装 - (2线, 5-7 / 16和3-7 / 8) (绝缘支撑环端子, 绝缘支撑环端子和标志环端子)
578A	692306		线组装
636	696198		坚果 - (启动开关) (终端)
641	691075		垫圈 - (启动开关) (终端)
795	298590		切换, 切换
840	298561		套件, 小组 - (发马达组)
945	211785		支架, 启动马达
1054	280275		束, 电缆
1142	690303		拧 - (启动马达支架)
1142A	691614		拧 - (启动马达支架) (1 3/4)
1150	691058		拧 - (调整表带)
1151	690282		垫圈 - (调整表带)
1152	691105		锁紧螺母 - (调整表带)
1215	691075		垫圈 - (入门支架)
1216	691105		锁紧螺母 - (入门支架)
1217	690282		垫圈 - (启动开关)
1225	691029		坚果 - (启动开关)



REF. NO.	PART NO.	DESCRIPTION	REF. NO.	PART NO.	DESCRIPTION	REF. NO.	PART NO.	DESCRIPTION
23	395250	Flywheel (For Magnetron Ignition, Identified by Two Red Stripes) Used on Type No(s). 0611, 0620, 0632, 0633, 0635, 0637, 0640, 0641, 0642, 0644, 0645, 0646, 0647, 0648, 0650, 0651, 0652, 0655, 0656, 0657, 0659, 0662, 0664, 0670, 0674, 0677, 0681, 0683, 0686, 0689, 0690, 0691, 0694, 0695, 0696, 0700, 0706, 0709, 0710, 0713, 0717, 0722, 0723, 0727, 0728, 0730, 0734, 0735, 0737, 0739, 0743, 0744, 0745, 0747, 0750, 0755, 0756, 0757, 0759, 0762, 0763, 0766, 0775, 0778, 0780, 0785, 0786, 0790, 0791, 0792, 0793, 0794, 0799, 0801, 0802, 0803, 0804, 2520, 2521, 2522, 2529, 2530, 2550, 2560, 2561, 2562, 2580, 2581, 2582, 2583.	23A	395251	Flywheel (For Magnetron Ignition, Identified by Two Red Stripes) ----- Note ----- Flywheel <b>(NO LONGER AVAILABLE)</b> (For Magnetron Ignition, Identified by Two Red Stripes) Used on Type No(s). 0736. <b>391363</b> Flywheel (10 Amp) (Used With Breaker Points and Condenser System) Used on Type No(s). 0027, 0028, 0063, 0115, 0123, 0126, 0135, 0143, 0148, 0149, 0162, 0163, 0164, 0165, 0167, 0168, 0170, 0171, 0172, 0174, 0178, 0180, 0182, 0184, 0185, 0188, 0189, 0192, 0193, 0198, 0201, 0209, 0210, 0211, 0213, 0215, 0217, 0221, 0222, 0224, 0229, 0230, 0231, 0234, 0235, 0236, 0238, 0240, 0248, 0249, 0250, 0251, 0252, 0257, 0261, 0262, 0265, 0271, 0273, 0274, 0275, 0276, 0277, 0278, 0279, 0281,			0282, 0283, 0284, 0285, 0286, 0287, 0288, 0296, 0298, 0303, 0304, 0306, 0307, 0309, 0310, 0311, 0315, 0316, 0317, 0318, 0319, 0320, 0321, 0322, 0323, 0324, 0325, 0326, 0328, 0330, 0331, 0332, 0333, 0334, 0337, 0338, 0340, 0343, 0347, 0348, 0349, 0350, 0351, 0353, 0355, 0358, 0359, 0360, 0363, 0364, 0367, 0370, 0371, 0372, 0374, 0375, 0376, 0377, 0378, 0379, 0381, 0382, 0383, 0388, 0389, 0392, 0394, 0399.
	363	19203						Puller-Flywheel
	726	391362						Gear-Ring (Includes Mounting Hardware)

## 飞轮

参考编号	零件号	数量	描述
23A	395251		飞轮 - (磁控点火, 由两条红色条纹识别)
363	19203		拉拔器, 飞轮
726	391362		齿轮, 环 - (包括安装硬件)

Not For Reproduction

