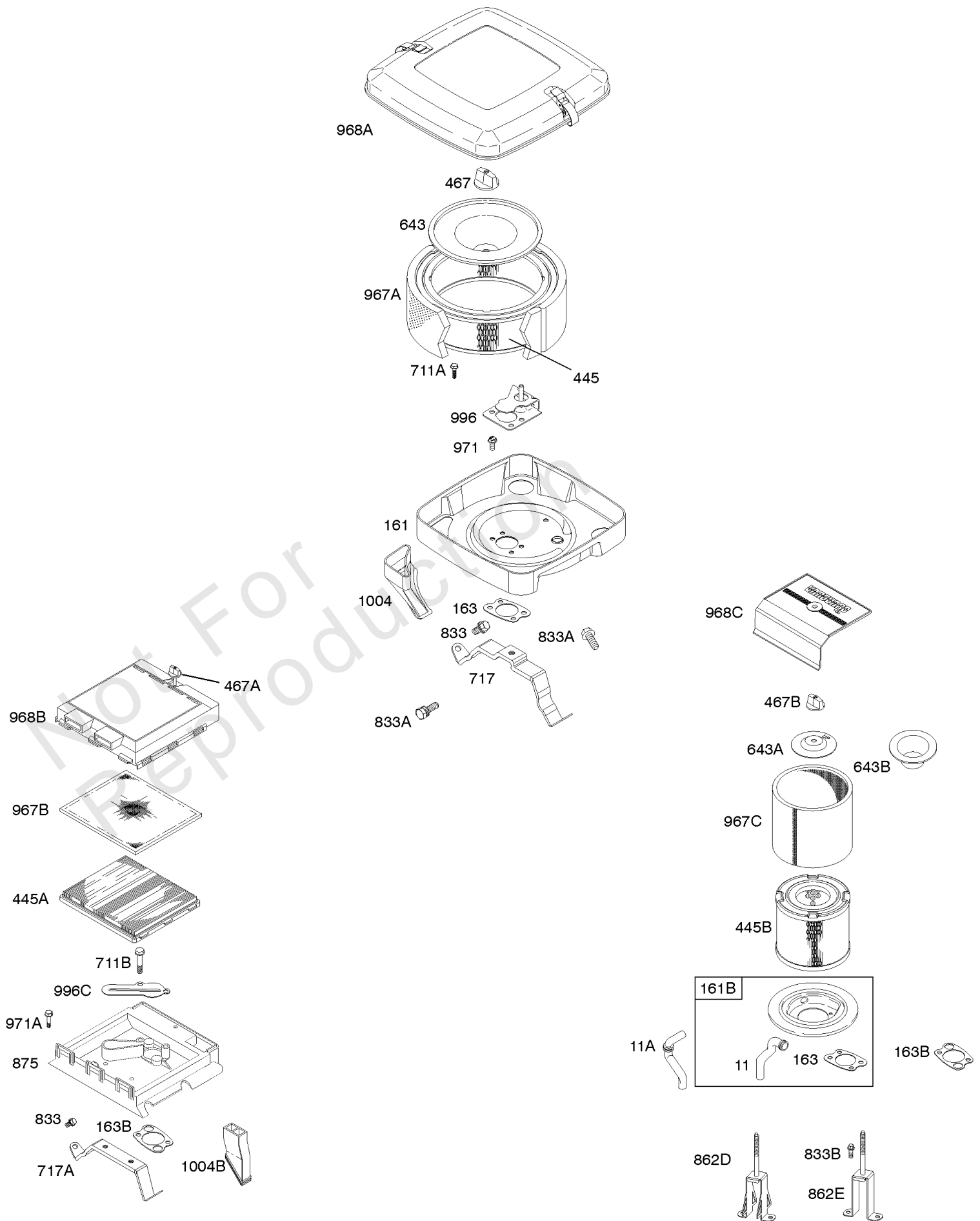




Parts Manual

Mfg. No: 303447-1147-A2

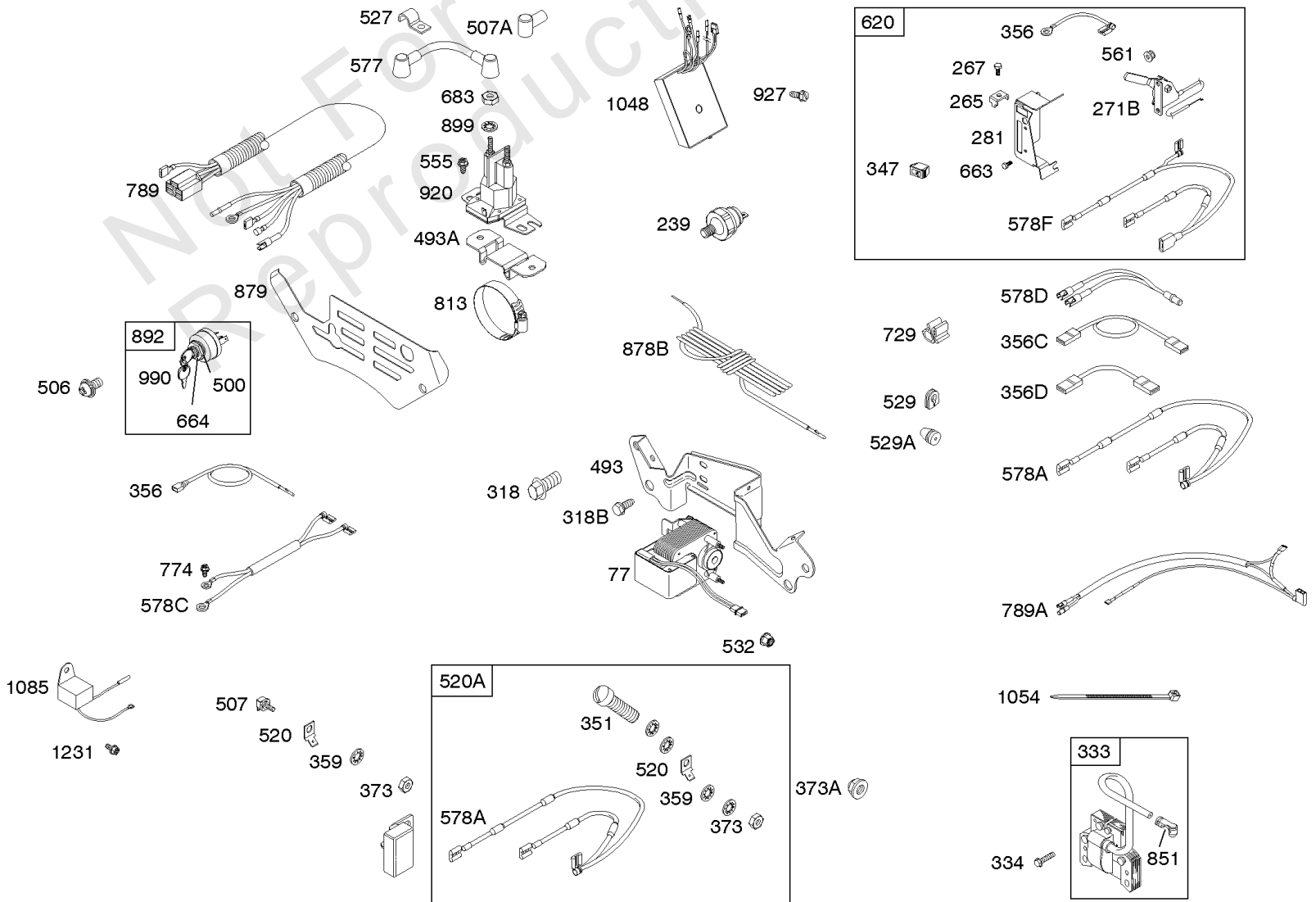
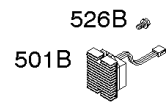
Model Components	Page
Air Cleaner.....	4
Alternator, Ignition, Wires.....	6
Blower Housing.....	12
Camshaft, Crankshaft, Cylinder, Piston, Rings, Connecting Rod.....	14
Carburetor.....	18
Carburetor Overhaul Kit, Engine & Valve Gasket Sets.....	22
Controls, Springs.....	26
Crankcase Cover, Intake Manifold.....	30
Cylinder Head, Valves, Rocker Covers.....	32
Electric Starter #1.....	36
Electric Starter #2.....	38
Electronic Governor.....	40
Exhaust System #1.....	42
Exhaust System #2.....	44
Flywheel, Starter Kit, Rotating Screens.....	48
Fuel Supply.....	50
Lubrication.....	54
Replacement Engine - US & Canada.....	56
Rewind Starter.....	57
Shrouds, Air Guides.....	59
Model 29, 30, 35 & 38 Engine Accessories Catalog.....	61
Maintenance Kits.....	62
Lubrication.....	64
Starter Motor Side Outlet Mufflers.....	66
Oil Filter Side Outlet Mufflers.....	68
Oil Filter Side Outlet Manifolds.....	70
Starter Motor Side Outlet Manifolds.....	72
Mufflers.....	74
Center Outlet Mufflers.....	76
Muffler Guards and Shields.....	78
Spark Arrestors and Deflectors.....	80
Muffler Mounting Hardware.....	82
Flywheel and Air Intake Guards.....	84
PTO.....	86
Electrical.....	88
Speed Control.....	90



Air Cleaner

REF NO	PART NO	QTY	DESCRIPTION
11	691556		TUBE, Breather
11A	806083S		TUBE, Breather
161	691561		BASE, Air Cleaner -(Metal)
161B	808414		BASE, Air Cleaner -(Metal)
163	692081		GASKET, Air Cleaner -(Air Cleaner)
163B	692052		GASKET, Air Cleaner -(Air Cleaner)
445	394018S		FILTER, A/C Cartridge
445A	805113		FILTER, A/C Cartridge
445B	393957S		FILTER, A/C Cartridge
467	691985		KNOB, Air Cleaner Cover
467A	690895		KNOB, Air Cleaner Cover
467B	691668		KNOB, Air Cleaner Cover
643	692079		RETAINER, Air Filter
643A	690447		RETAINER, Air Filter
643B	691730		RETAINER, Air Filter
711A	691492		SCREW -(Carburetor Shield)
711B	690699		SCREW -(Carburetor Shield)
717	692153		BRACKET, Air Cleaner
717A	807563		STRAP/STUD, Air Cleaner Mounting
833	841233		SCREW -(Air Cleaner Mounting Strap/Stud)
833A	807084		SCREW -(Air Cleaner Mounting Strap/Stud)
833B	691593		SCREW -(Air Cleaner Mounting Strap/Stud)
862D	691565		STRAP/STUD, Air Cleaner Mounting
862E	492133		STRAP/STUD, Air Cleaner Mounting
875	-----		Base-Air Cleaner -(Plastic) (NO LONGER AVAILABLE)
967A	272490S		FILTER, Pre Cleaner
967C	271794S		FILTER, Pre Cleaner
967B	805267S		FILTER, Pre Cleaner
968A	699959		COVER, Air Cleaner -(Metal)
968B	-----		Cover-Air Cleaner -(NO LONGER AVAILABLE)
968C	691910		COVER, Air Cleaner
971	807084		SCREW -(Air Cleaner Base to Carburetor)
971A	690699		SCREW -(Air Cleaner Base to Carburetor)
996	691577		SHIELD, Carburetor
996C	690696		SHIELD, Carburetor
1004	690743		DUCT, Air
1004B	692538		DUCT, Air -(Used With Plastic Air Cleaner Base)

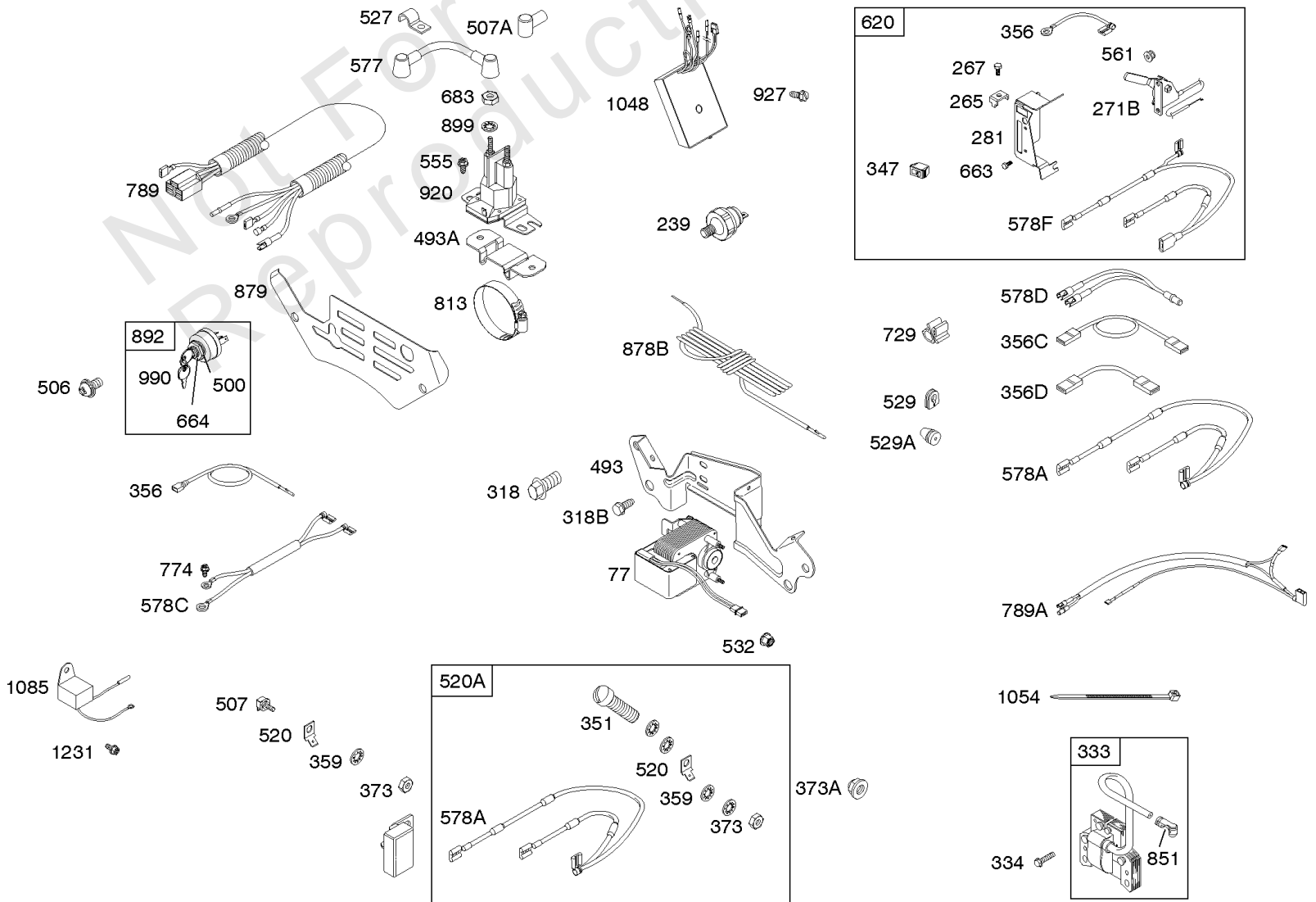
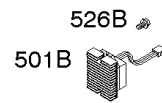
DUAL CIRCUIT		5 - 9 AMP	10 - 16 AMP
474B	1059	474C	474D
877			877C
		578	578
<p>NOTE: All stators use a No. 1119 mounting screw. </p>		526A	526
		501A	501



Alternator, Ignition, Wires

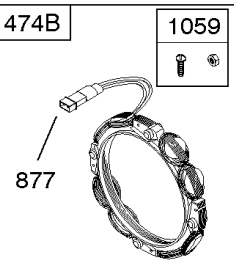
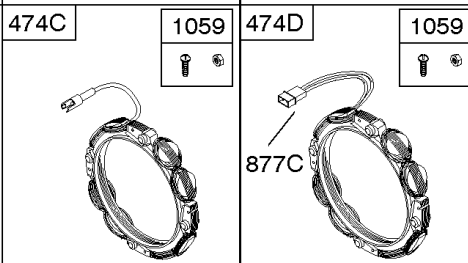
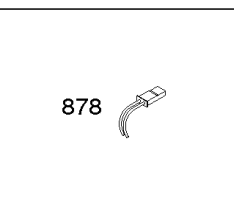
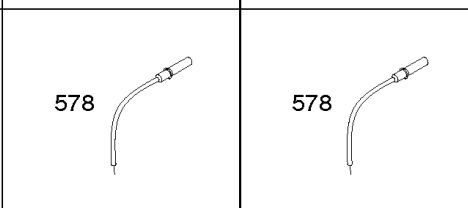
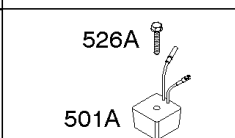
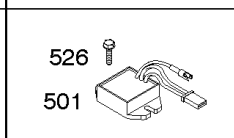
REF NO	PART NO	QTY	DESCRIPTION
5	809200		HEAD, Cylinder -(Cylinder 1)
10	690751		SCREW -(Breather Assembly) -Used After Code Date 90111400
10	805194		SCREW -(Breather Assembly) -Used Before Code Date 90111500
77	690819		MOTOR, Servo -(Motor-Servo is)(See ref#1463 for Replacement Kit)
239	491657S		SWITCH, Oil Pressure -(Normally Closed)
239	690233		SWITCH, Oil Pressure -(Lower Pressure to Open)
265	691024		CLAMP, Casing
267	692083		SCREW -(Casing Clamp)
271B	691028		LEVER, Control
281	690742		PANEL, Control
318	806870		SCREW -(Mounting Bracket)
318B	690932		SCREW -(Mounting Bracket)
333	844548		ARMATURE, Magneto -Used After Code Date 09100700
333	492341		ARMATURE, Magneto -Used Before Code Date 09100800
334	692066		SCREW -(Magneto Armature)
347	691995		SWITCH-ROCKER -(Without Light)
351	691615		SCREW -(Ground Terminal)
356	690796		WIRE, Stop
356C	807593		WIRE, Stop -(Cylinder 2)
356D	807594		WIRE, Stop -(Cylinder 1)
359	691077		WASHER -(Ground Terminal)
373	691612		NUT -(Ground Terminal)
373A	690713		NUT -(Ground Terminal)
474C	696457		ALTERNATOR -(5 and 9 Amp Regulated)
493	691518		BRACKET, Mounting
493A	691177		BRACKET, Mounting -(Regulator)
500	691086		WASHER -(Key Switch)
501	797375		REGULATOR -(10 Amp Regulated)
501A	794360		REGULATOR -(5/9 Amp. Regulated)
506	690677		SCREW -(Carburetor Cover)
507	691972		INSULATOR
507A	281223		INSULATOR

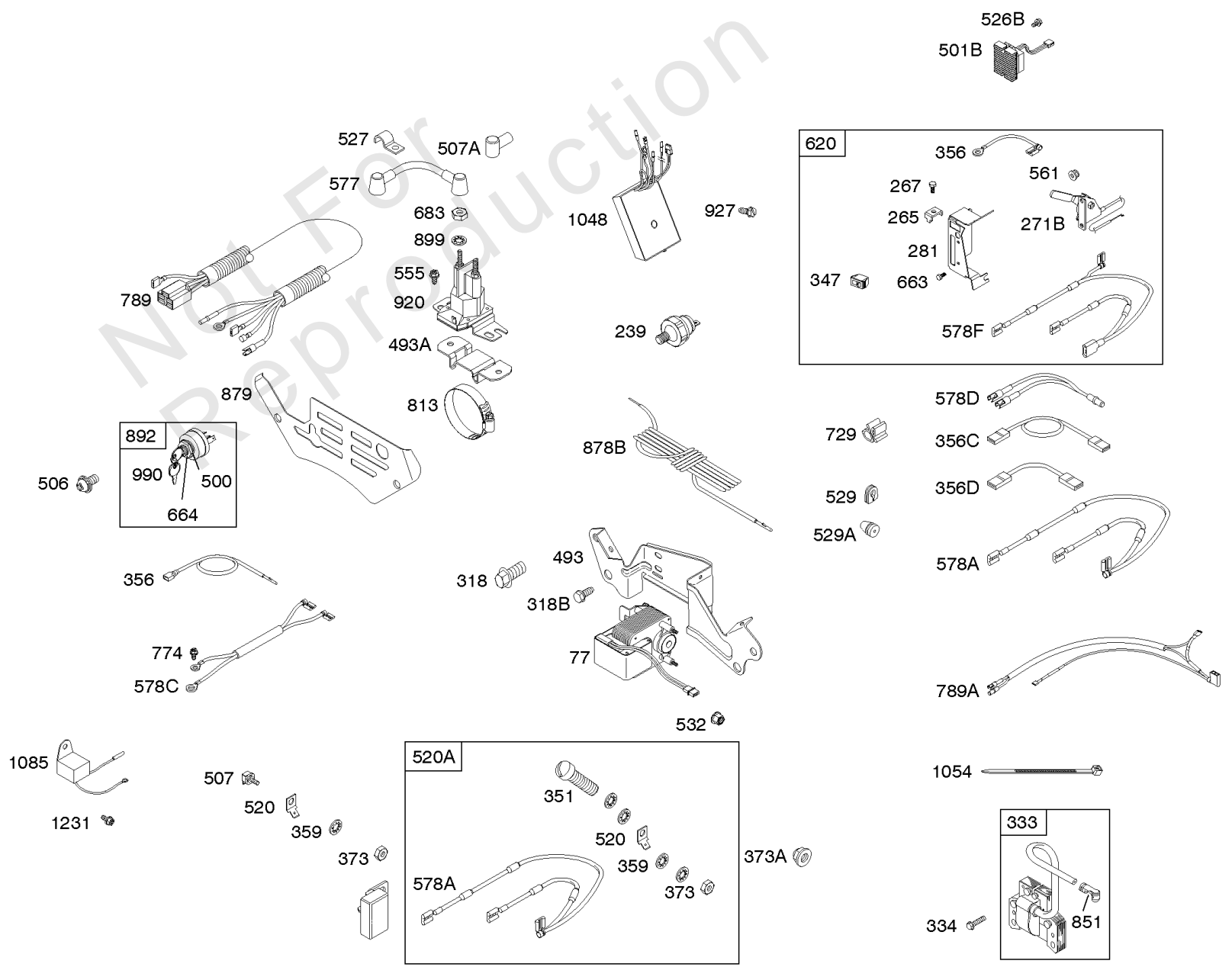
DUAL CIRCUIT		5 - 9 AMP	10 - 16 AMP
474B	1059	474C	474D
877			877C
<p>NOTE: All stators use a No. 1119 mounting screw. </p>		526A	526
		501A	501



Alternator, Ignition, Wires

REF NO	PART NO	QTY	DESCRIPTION
520	691084		TERMINAL, Ground
520A	809077		TERMINAL, Ground -(Ignition Shutoff)
526	692067		SCREW -(Regulator) (10-16 Amp Regulated)
526A	690717		SCREW -(Regulator) (5/9 Amp. Regulated) -Used After Code Date 90021100
526A	810084		SCREW -(Regulator) (5/9 Amp. Regulated) -Used Before Code Date 90021200
527	690423		CLAMP, Tube
529	690744		GROMMET
529A	691527		GROMMET
532	691115		NUT -(Mounting Bracket)
555	692067		SCREW -(Starter Solenoid)
561	690713		NUT -(Control Lever)
577	690795		CABLE, Starter
578	692306		WIRE ASSEMBLY
578A	844547		HARNESS, Wiring -(Ignition Coil)
578D	692961		WIRE ASSEMBLY
578C	690809		WIRE ASSEMBLY
578F	691999		WIRE ASSEMBLY -(Ignition Coil)
620	494052		BRACKET, Control -(Ignition Coil)
663	692083		SCREW -(Control Panel)
664	691087		NUT -(Key Switch)
683	691029		NUT -(Starter Solenoid)
729	690586		CLIP, Wire
774	692067		SCREW -(Stop Wire)
789	691996		HARNESS, Wiring
789A	844549		HARNESS-WIRING
813	690635		CLAMP
851	493880S		TERMINAL-SPARK PLUG
877	393456		WIRE/CONNECTOR, Alternator
877C	399916		WIRE/CONN-ALTERNATOR
878	398661		HARNESS, Wiring -(Dual Circuit)
878B	691362		HARNESS, Wiring
879	-----		Cover-Carburetor -(NO LONGER AVAILABLE)
892	692318		SWITCH, Key
899	691077		WASHER -(Starter Solenoid)
920	691656		SOLENOID, Starter
927	691116		SCREW -(Electronic Governor Module)
990	691959		SET, Key

DUAL CIRCUIT		5 - 9 AMP	10 - 16 AMP
474B	1059	474C	1059
			
			
<p>NOTE: All stators use a No. 1119 mounting screw.</p>			

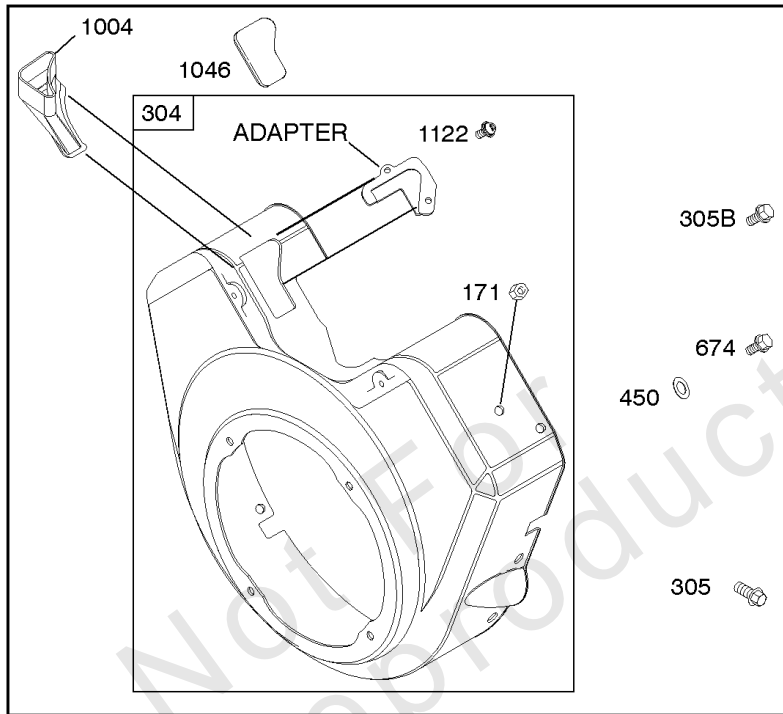


Alternator, Ignition, Wires

REF NO	PART NO	QTY	DESCRIPTION
1048	690669		MODULE, Electronic Governor
1054	280275		TIE, Cable
1059	698516		KIT, Screw/Washer
1085	809093		MODULE, Ignition
1119	691552		SCREW -(Alternator)
1231	692067		SCREW -(Ignition Module)

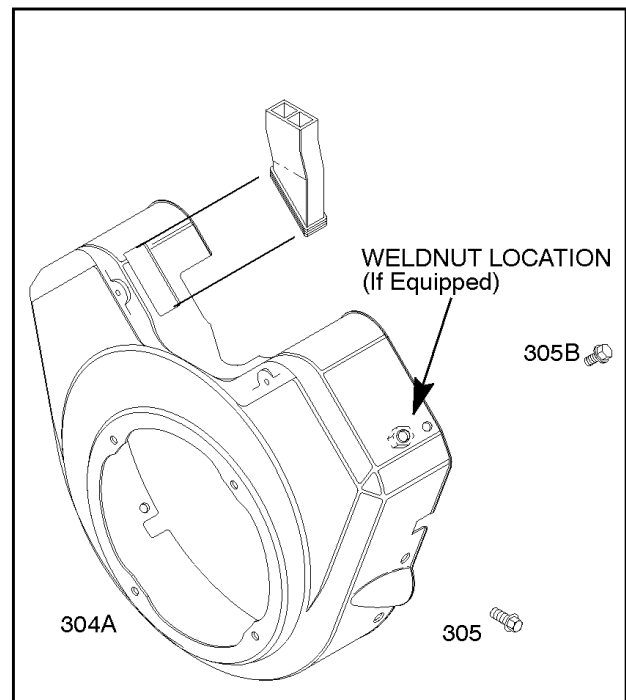
Not For Reproduction

METAL AIR CLEANER BASE



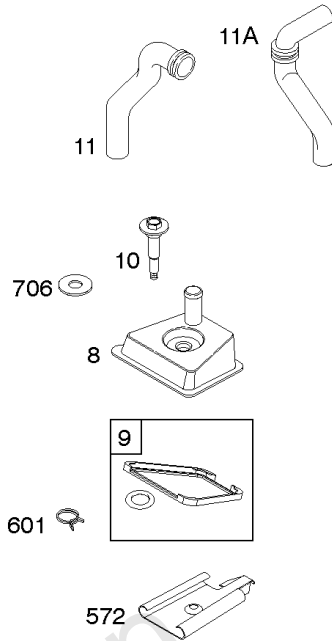
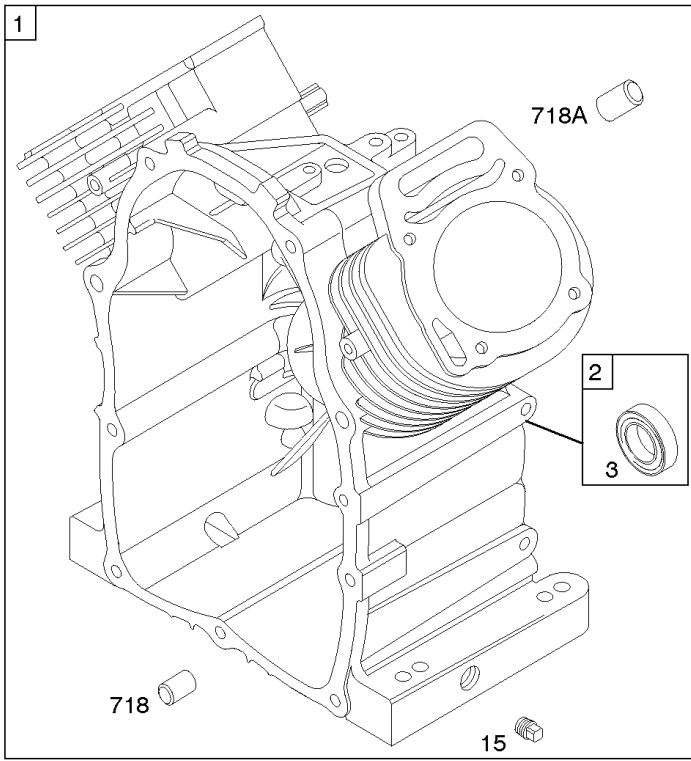
1036 EMISSIONS LABEL

PLASTIC AIR CLEANER BASE



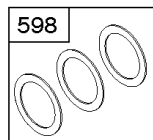
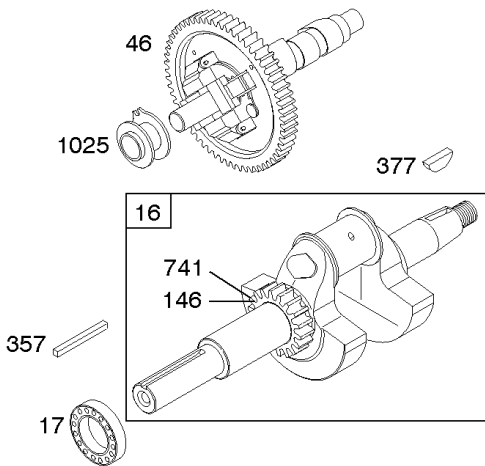
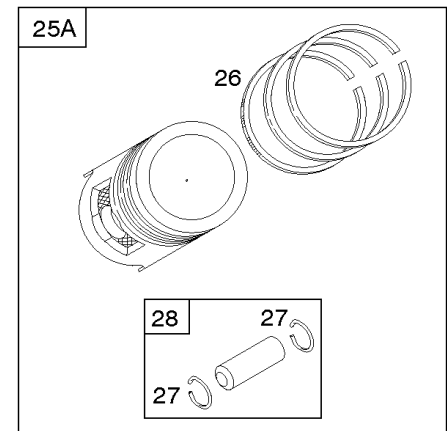
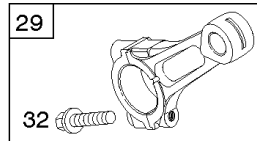
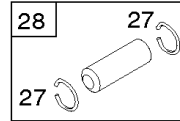
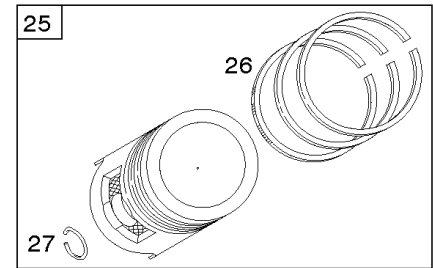
Blower Housing

REF NO	PART NO	QTY	DESCRIPTION
171	810056		NUT -(Air Cleaner)
304	-----		Housing-Blower -(NO LONGER AVAILABLE)
304A	808408		HOUSING, Blower -(Black)
305	692056		SCREW -(Blower Housing) (14 mm)
305	807163		SCREW -(Blower Housing) (10mm)
305	841233		SCREW -(Blower Housing)
305B	692062		SCREW -(Blower Housing) (18mm Long)
450	806497		WASHER -(Fuel Tank Bracket)
674	692056		SCREW -(Fuel Tank Bracket) (M8 X 14)
1004	690743		DUCT, Air
1036	-----		Label-Emissions -(Available From A Briggs & Stratton Authorized Dealer)
1046	692082		PLUG, Blower Housing
1122	93410		SCREW -(Blower Housing Adapter)



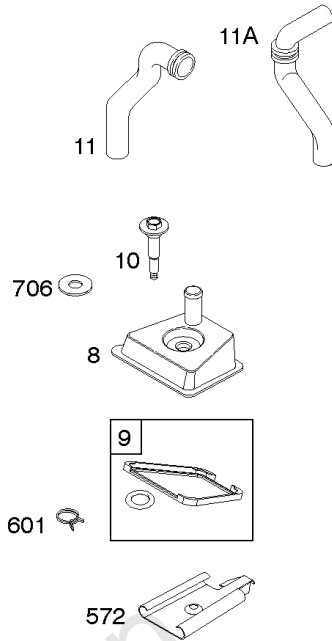
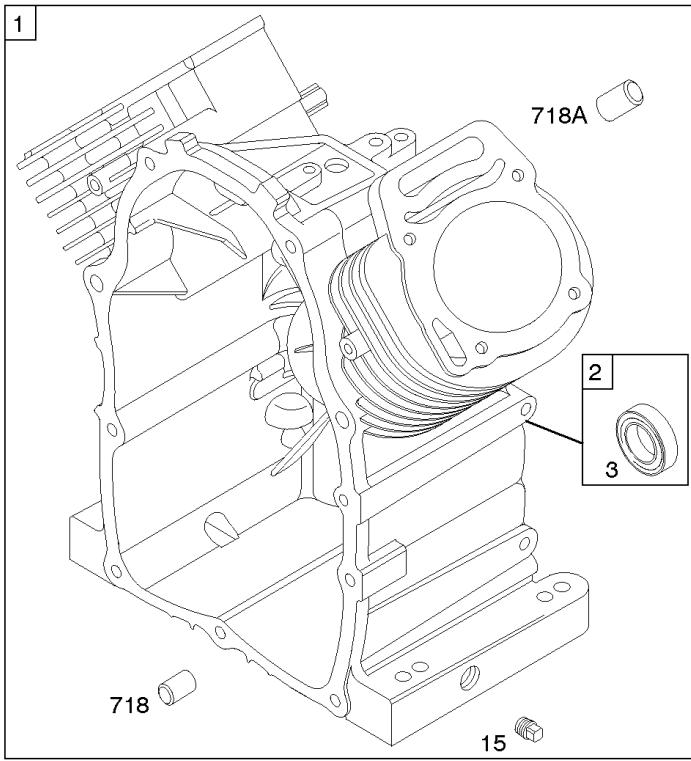
1036 EMISSIONS LABEL
1058 OPERATOR'S MANUAL
1330 REPAIR MANUAL
1319 WARNING LABEL
WARNING
Read and follow Operating Instructions before running engine.
Gasoline is flammable. Allow engine to cool at least 2 minutes before refueling.
Engines emit carbon monoxide. DO NOT run in enclosed area.
Muffler area temperature may exceed 150°F. Do not touch hot parts.
REQUIRED when replacing parts with warning labels affixed.

Not For Reproduction



Camshaft, Crankshaft, Cylinder, Piston, Rings, Connecting Rod

REF NO	PART NO	QTY	DESCRIPTION
1	692178		CYLINDER ASSEMBLY -Used After Code Date 97043000
1	807521		CYLINDER ASSEMBLY -Used Before Code Date 97050100
2	808534		KIT, Bushing/Seal -(Magneto Side) -Used After Code Date 97043000
2	807687		KIT, Bushing/Seal -(Magneto Side) -Used Before Code Date 97050100
3	805101S		SEAL, Oil -(Magneto Side)
8	808984		BREATHER ASSEMBLY
9	844986		GASKET, Breather
10	805194		SCREW -(Breather Assembly) -Used Before Code Date 90111500
10	690751		SCREW -(Breather Assembly) -Used After Code Date 90111400
11	691556		TUBE, Breather
11A	806083S		TUBE, Breather
15	690946		PLUG, Oil Drain -(3/8"-18 NPTF-External 7/16" Sq)
15	691680		PLUG, Oil Drain -(3/8"-18 NPTF - Internal 3/8" Sq)
16	-----		Crankshaft -(NO LONGER AVAILABLE) -Used Before Code Date 97050100
16	692161		CRANKSHAFT -Used After Code Date 97043000
17	843827		BEARING, Ball
25	843952		PISTON ASSEMBLY -(Standard) -Used After Code Date 07122300
25	843956		PISTON ASSEMBLY -(Standard) -Used After Code Date 07122300
25A	843951		PISTON ASSEMBLY -(Standard) -Used Before Code Date 07122400
25A	843958		PISTON ASSEMBLY -(.020 Oversize) -Used Before Code Date 07122400
26	-----		Ring Set -(For Replacement Rings Order Ref #25A) -Used Before Code Date 07122400
26	843953		SET, Ring -(Standard) -Used After Code Date 07122300
26	843957		SET, Ring -(.020 Oversize)
27	690683		LOCK, Piston Pin
28	807621		PIN, Piston -(Standard) -Used Before Code Date 07122400
28	844541		PIN, Piston -(Standard) -Used After Code Date 07122300
29	807900S		ROD, Connecting -(Standard)



1036 EMISSIONS LABEL

1058 OPERATOR'S MANUAL

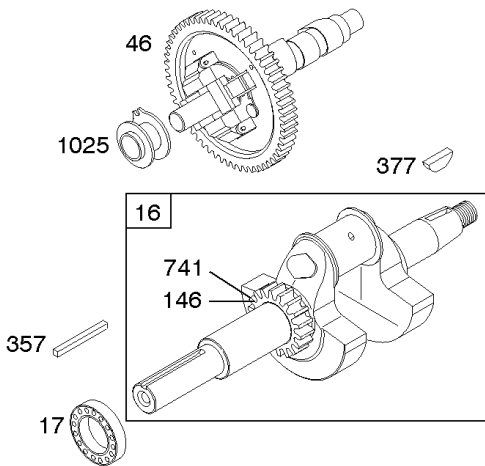
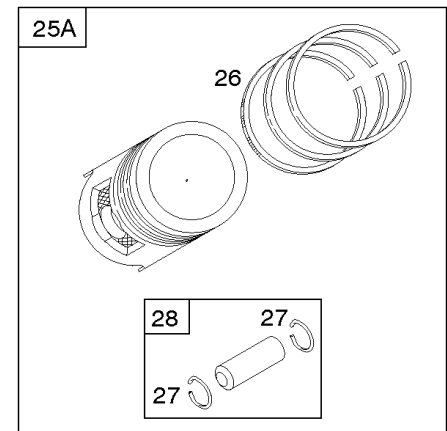
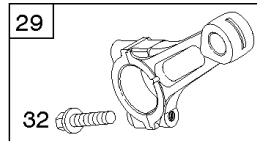
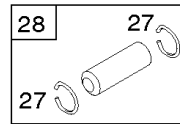
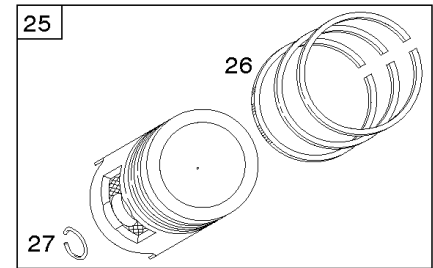
1330 REPAIR MANUAL

1319 WARNING LABEL

WARNING	
	Read and follow Operating Instructions before running engine.
	Gasoline is flammable. Allow engine to cool at least 2 minutes before refueling.
	Engines emit carbon monoxide. DO NOT run in enclosed area.
	Muffler area temperature may exceed 150°F. Do not touch hot parts.

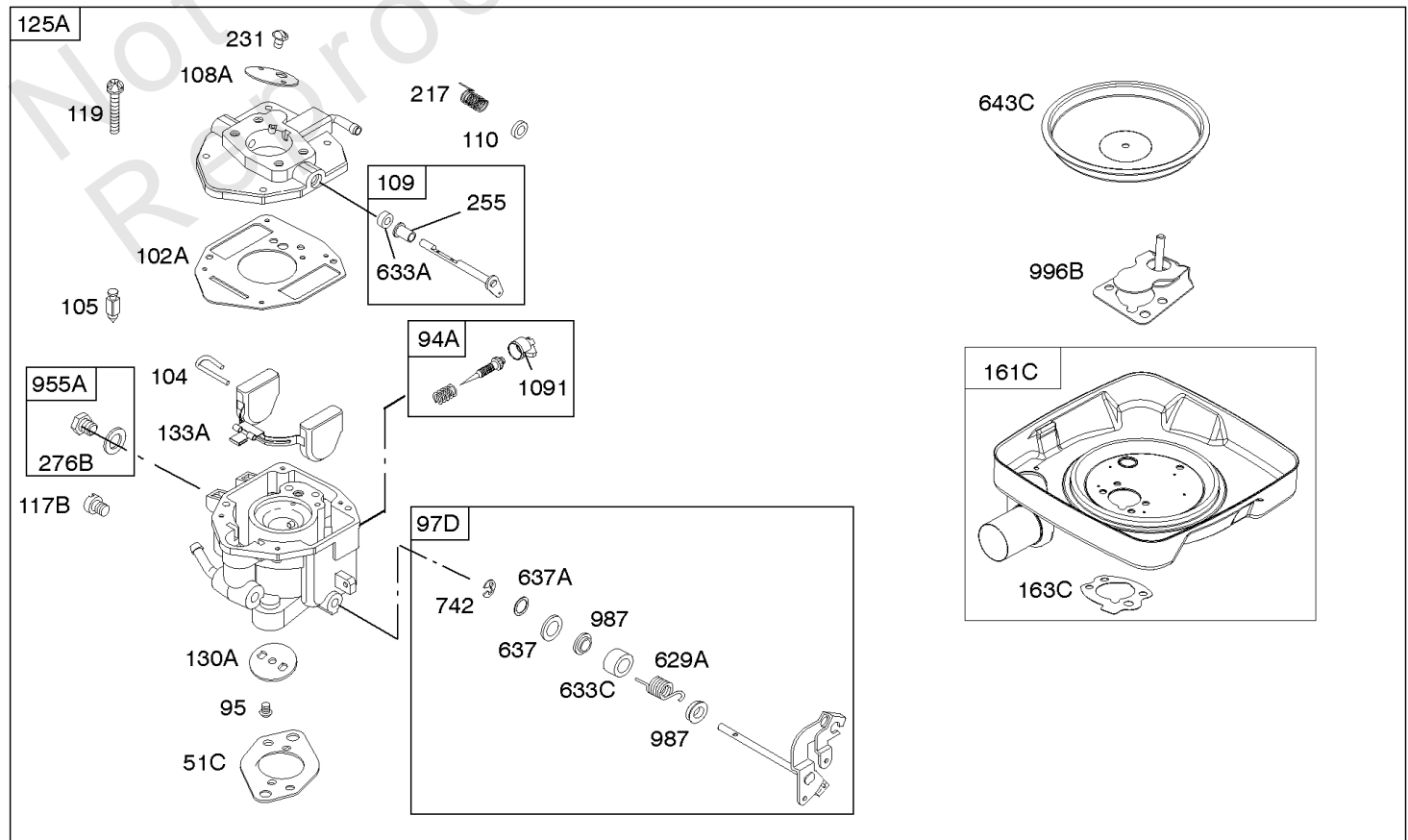
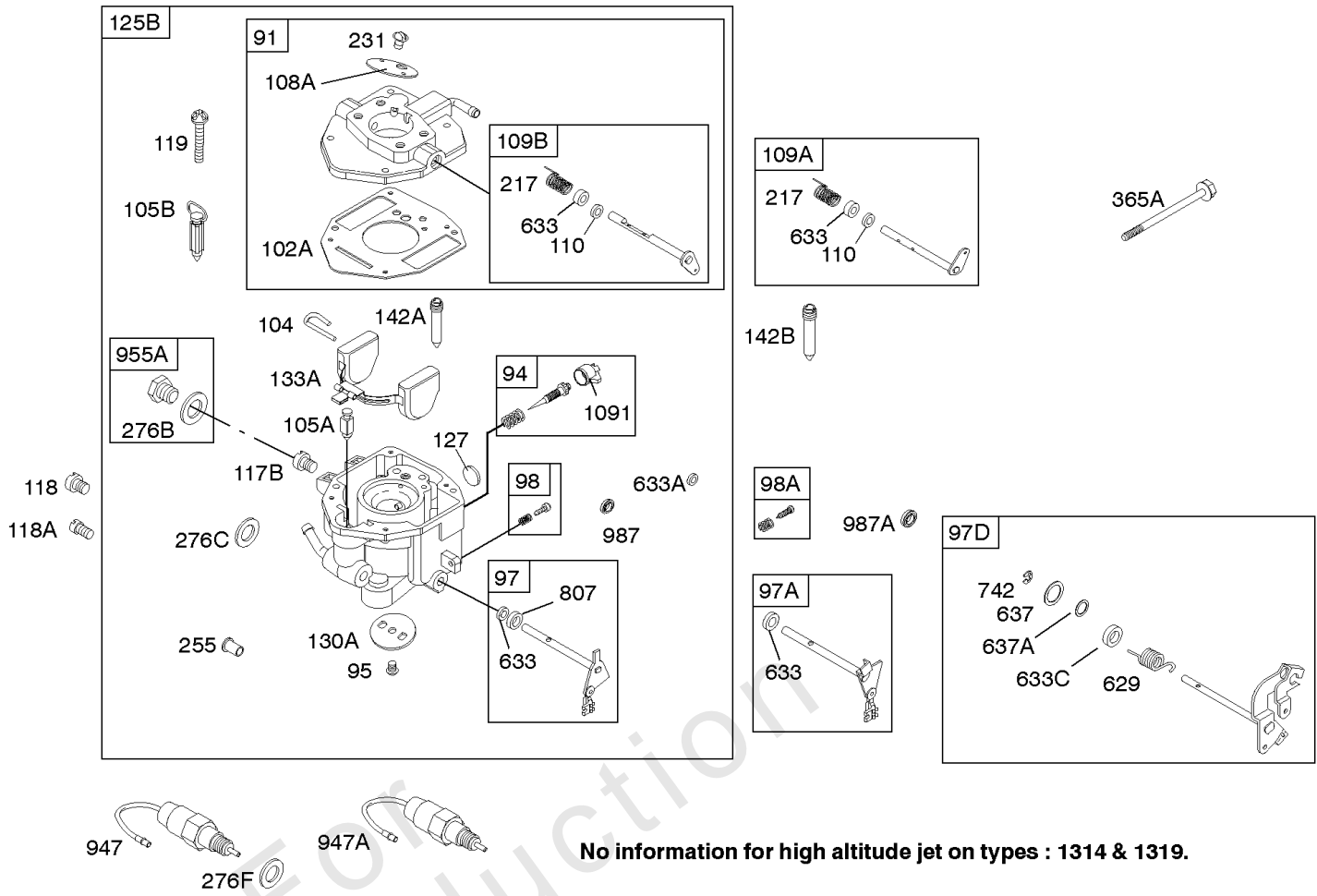
REQUIRED when replacing parts with warning labels affixed.

Not For Reproduction



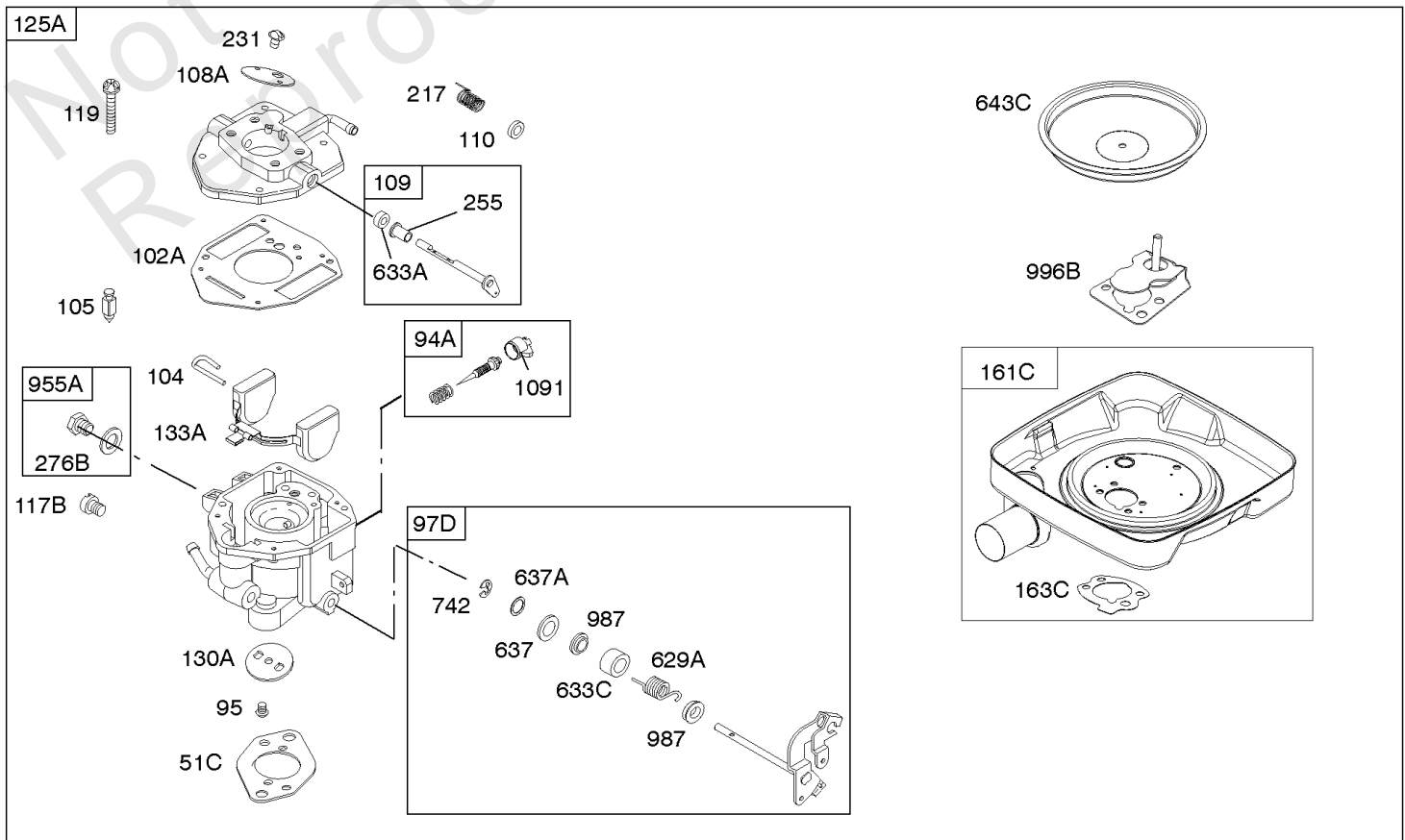
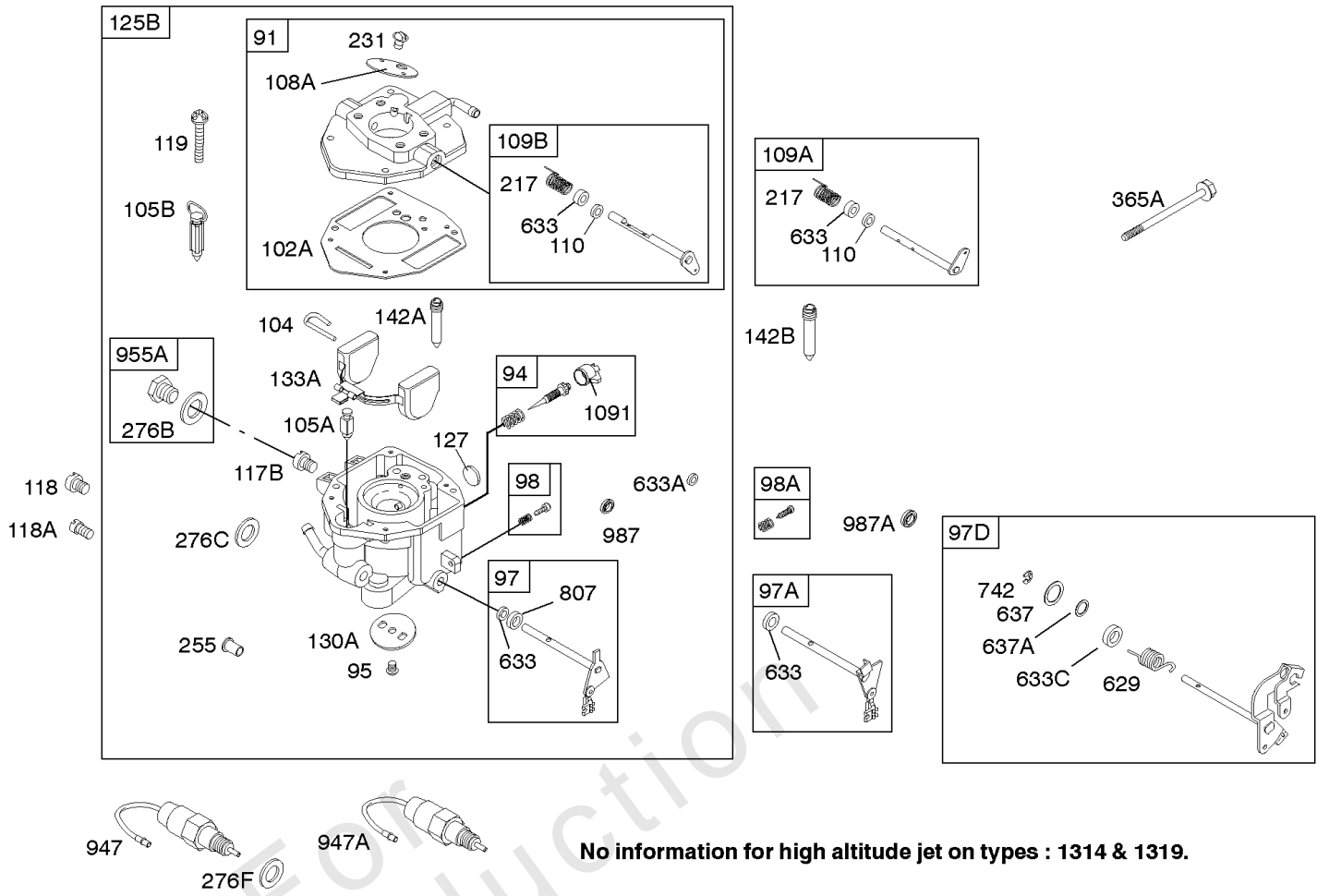
Camshaft, Crankshaft, Cylinder, Piston, Rings, Connecting Rod

REF NO	PART NO	QTY	DESCRIPTION
32	690698		SCREW -(Connecting Rod)
46	845649		CAMSHAFT
146	691639		KEY, Woodruff
357	691483		KEY, Drive Pulley
377	808095		KEY, Flywheel
572	690686		BAFFLE, Breather -Used Before Code Date 04060100
598	807625		SHIM, End Play -(Crankshaft or Camshaft Bearing)
601	691038		CLAMP, Hose
706	805484		WASHER -(Breather Assembly) -Used Before Code Date 90111500
718	806469		PIN, Locating
718A	805102		PIN, Locating -Used Before Code Date 90091100
741	691530		GEAR, Timing
1025	690689		SPOOL, Governor
1036	-----		Label-Emissions -(Available From A Briggs & Stratton Authorized Dealer)
1058	276344TRI		MANUAL, Operator's
1319	794467		LABEL, Warning
1330	272144		MANUAL, Repair



Carburetor

REF NO	PART NO	QTY	DESCRIPTION
51C	691694		GASKET, Intake -(Carburetor To Manifold)
91	809208		BODY, Upper Carburetor
94	842870		KIT, Idle Mixture
95	690718		SCREW -(Throttle Valve)
97	807720		SHAFT, Throttle -Used Before Code Date 00071200
97	809007		KIT, Throttle Shaft -Used After Code Date 00071100
98	808177		KIT, Idle Speed
102A	692077		GASKET, Carburetor Body
104	690723		PIN, Float Hinge
105	797410		VALVE, Float Needle
105A	805620		VALVE, Float Needle -(Gravity Feed Carburetor)
105B	808798		VALVE, Float Needle
108A	690719		VALVE, Choke
109B	809096		SHAFT-CHOKE
110	806861		WASHER -(Choke Shaft)
117B	690862		JET, Main -(Standard)
118	842311		JET, Main -(High Altitude)
119	690720		SCREW -(Upper Carburetor Body to Lower Carburetor Body)
125B	809011		CARBURETOR -(Pump Feed Without Solenoid)
127	690727		PLUG, Welch
130A	690726		VALVE, Throttle
133A	806961		FLOAT, Carburetor
142A	690725		NOZZLE, Carburetor
217	806862		SPRING, Choke Return
231	690718		SCREW -(Choke Valve)
255	690721		BUSHING, Choke Shaft
276B	690724		WASHER, Sealing -(Carburetor Plug)
276F	693497		WASHER, Sealing -(Carburetor Plug)
365A	690711		SCREW -(Carburetor)
629	806717		SPRING, Throttle Return -(Throttle Return)
629A	806716		SPRING, Throttle Return -(Throttle Return)
633	806131		SEAL, Choke/Throttle Shaft
633A	690722		SEAL, Choke/Throttle Shaft
637	806999		WASHER -(Throttle Shaft)
637A	807000		WASHER -(Throttle Shaft)
742	807001		RETAINER, E Ring
807	805557		SPACER -(Throttle)
947A	692094		SOLENOID, Fuel

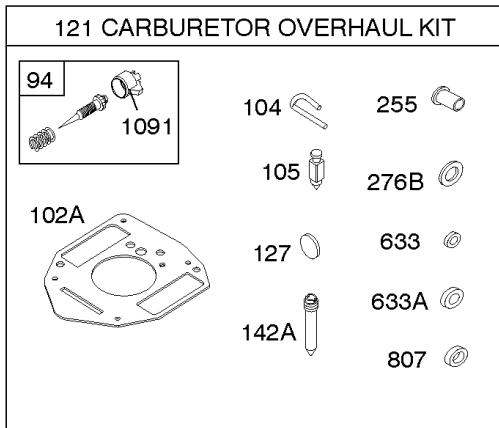


Carburetor

REF NO	PART NO	QTY	DESCRIPTION
955A	807723		PLUG, Carburetor -(Jet)
987	807002		SEAL, Choke/Throttle Shaft
987A	806864		SEAL, Choke/Throttle Shaft
1091	691516		CAP, Limiter

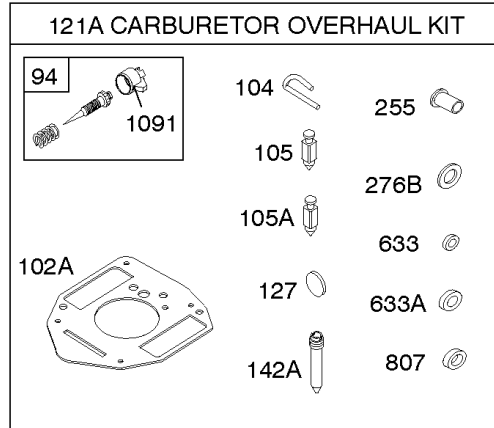
Not For Reproduction

121 CARBURETOR OVERHAUL KIT



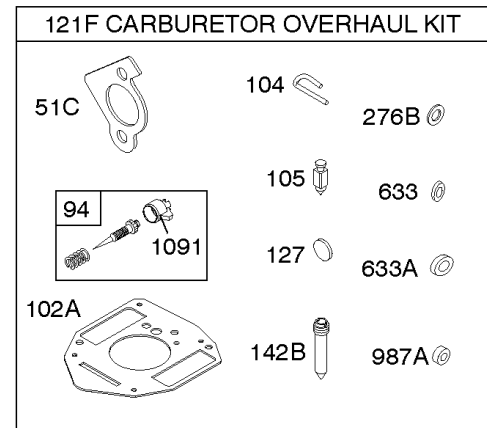
94 1091
102A
104 255
105 276B
127 633
142A 633A 807

121A CARBURETOR OVERHAUL KIT



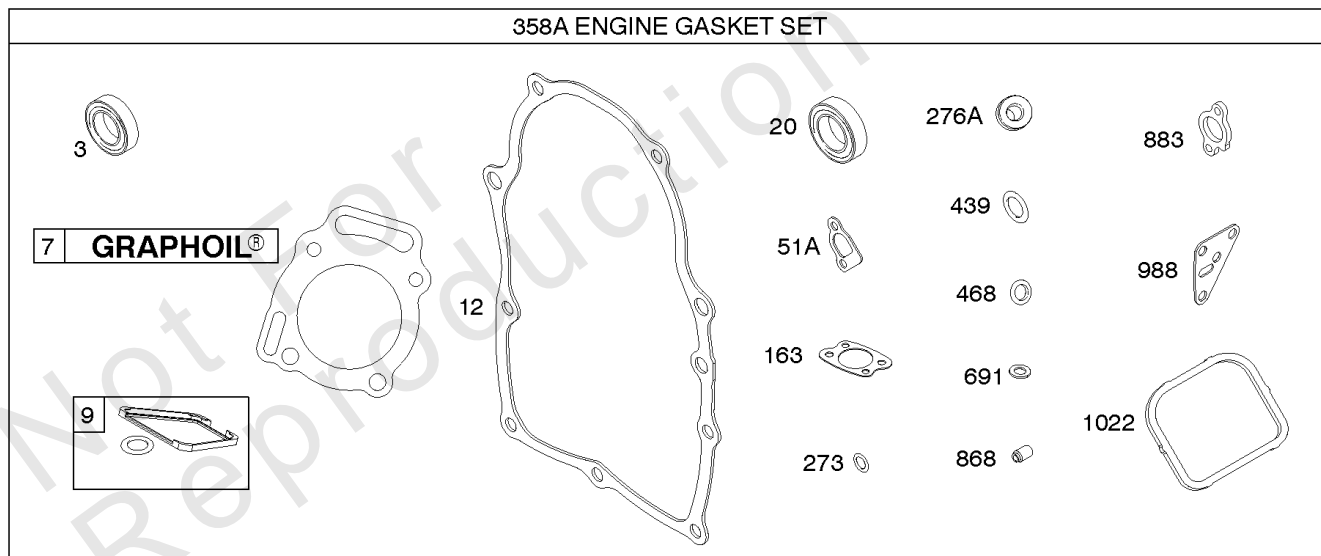
94 1091
102A
104 255
105 276B
105A 633
127 633A
142A 807

121F CARBURETOR OVERHAUL KIT



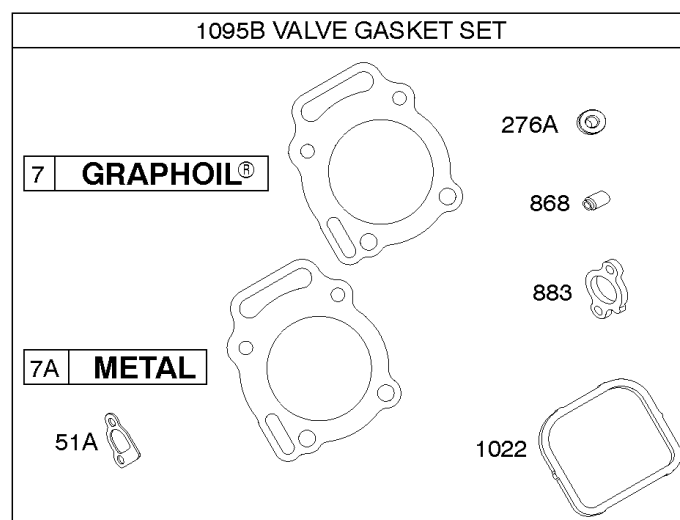
51C 104 276B
94 1091 105 633
102A 127 633A
142B 987A

358A ENGINE GASKET SET



3 7 **GRAPHOIL®** 9
12 20 276A 883
51A 439 988
163 468 1022
273 691 868

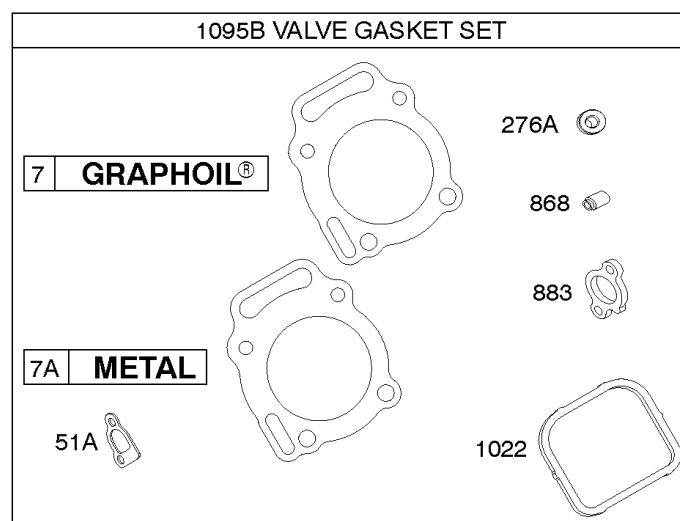
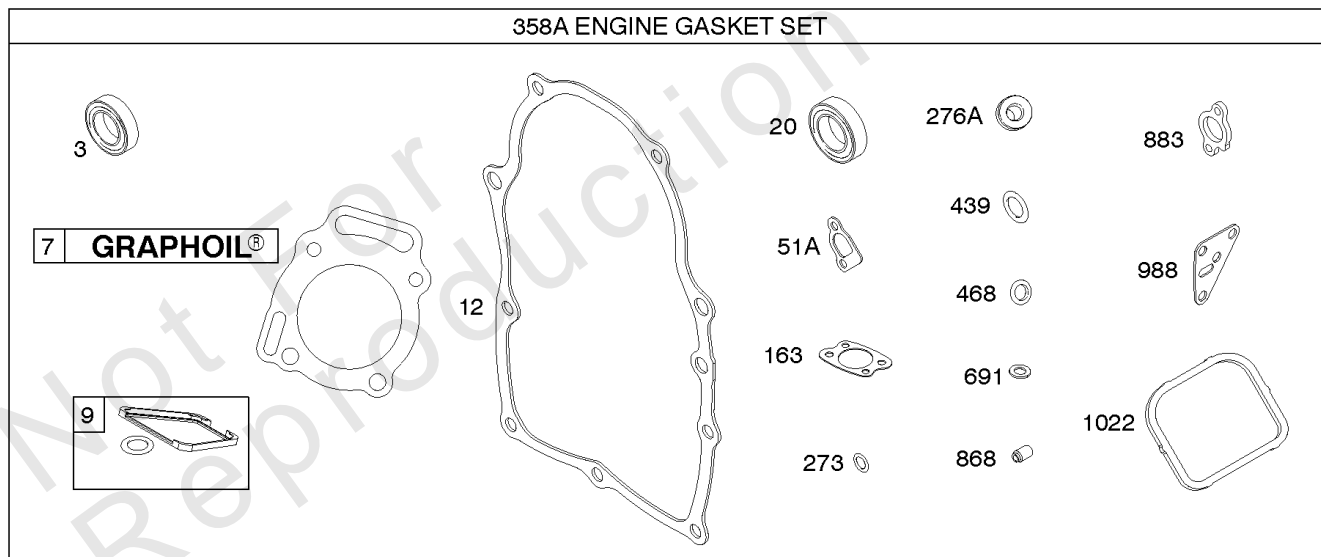
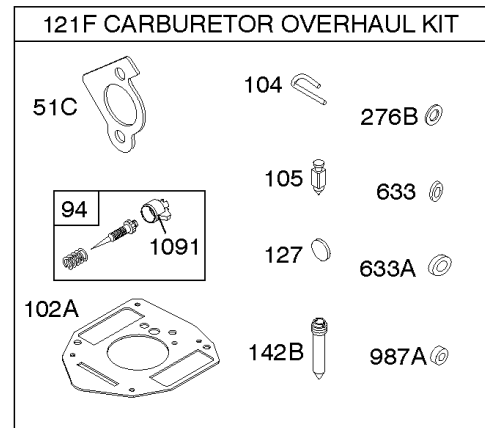
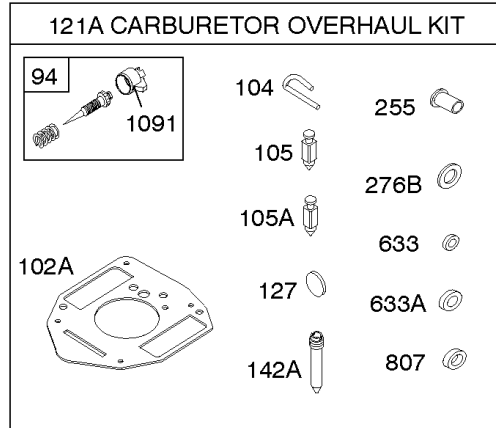
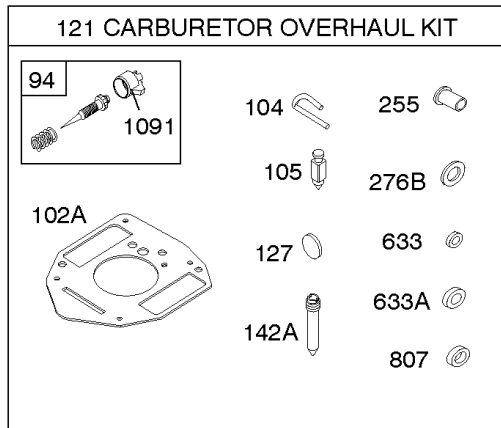
1095B VALVE GASKET SET



7 **GRAPHOIL®** 7A **METAL**
51A 276A 868 883 1022

Carburetor Overhaul Kit, Engine & Valve Gasket Sets

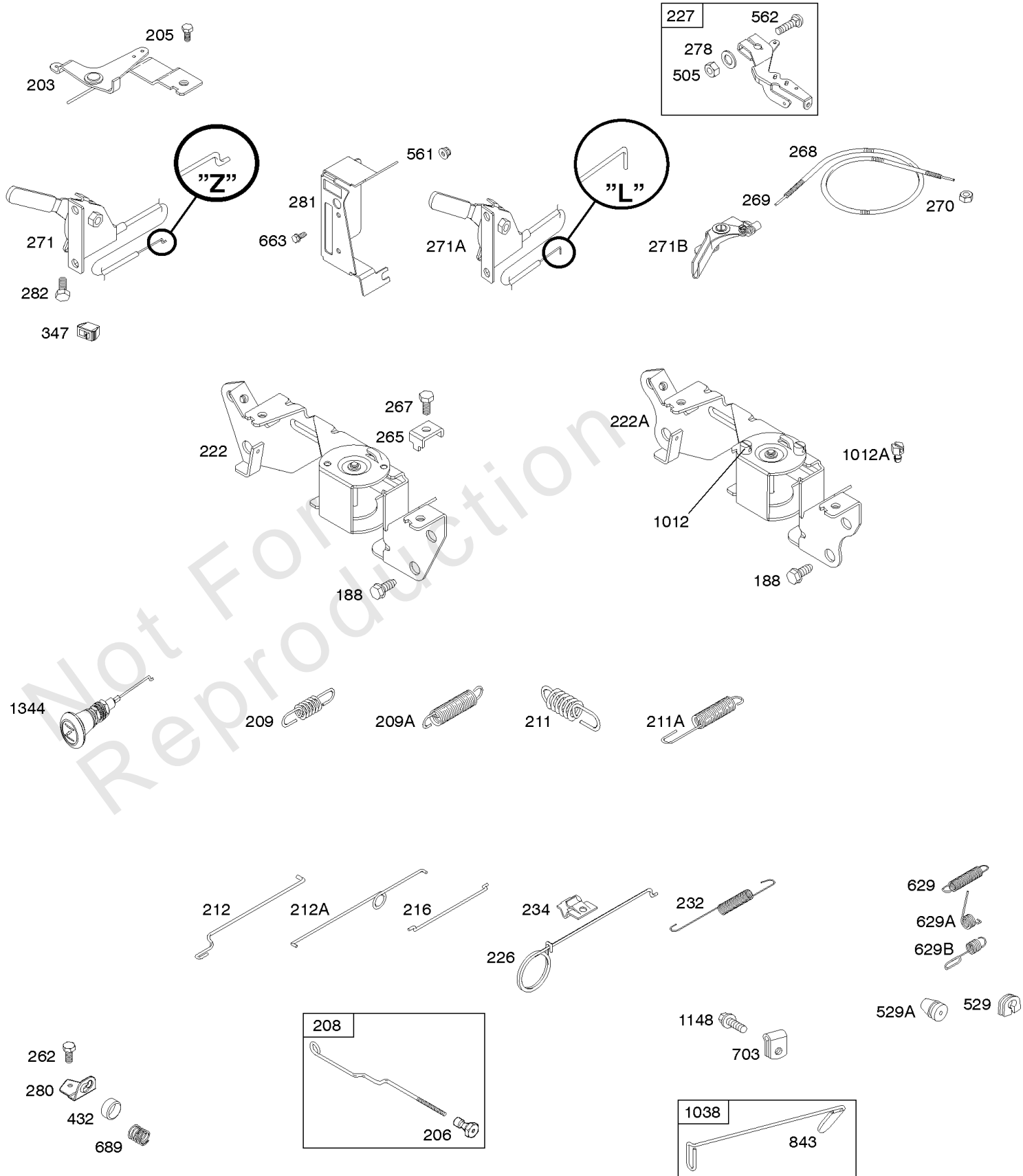
REF NO	PART NO	QTY	DESCRIPTION
3	805101S		SEAL, Oil -(Magneto Side)
7	806085S		GASKET, Cylinder Head -(Graphoil) -Used After Code Date 96033100
7A	807986		GASKET, Cylinder Head -(Metal) -Used Before Code Date 96040100
9	844986		GASKET, Breather
12	845254		GASKET-CRANKCASE
20	805049S		SEAL, Oil -(PTO Side)
51A	692035		GASKET, Intake -(Manifold to Cylinder Head)
51C	691694		GASKET, Intake -(Carburetor To Manifold)
94	842870		KIT, Idle Mixture
102A	692077		GASKET, Carburetor Body
104	690723		PIN, Float Hinge
105	797410		VALVE, Float Needle
105A	805620		VALVE, Float Needle -(Gravity Feed Carburetor)
121	842877		KIT, Carburetor Overhaul
127	690727		PLUG, Welch
142A	690725		NOZZLE, Carburetor
163	692081		GASKET, Air Cleaner -(Air Cleaner)
255	690721		BUSHING, Choke Shaft
273	690681		SEAL, O-Ring -(Oil Pump)
276A	691766		WASHER, Sealing -(Cylinder Head) -Used Before Code Date 01120300
276A	807085		WASHER, Sealing -(Cylinder Head) -Used After Code Date 01120200
276B	690724		WASHER, Sealing -(Carburetor Plug)
358A	808390		GASKET SET, Engine -Used Before Code Date 01120300
358A	808704		GASKET SET, Engine -Used After Code Date 01120200
439	692154		O-RING, Oil Gallery -(Crankcase Cover/Sump or Cylinder Assembly) -Used After Code Date 97043000
439	805198		SEAL, O-Ring -(Crankcase Cover/Sump or Cylinder Assembly) -Used Before Code Date 97050100
468	690690		SEAL, O-Ring -(Oil Pump Screen)
633	806131		SEAL, Choke/Throttle Shaft
633A	690722		SEAL, Choke/Throttle Shaft
691	842826		SEAL, Governor Shaft
807	805557		SPACER -(Throttle)
868	691963		SEAL, Valve
883	691613		GASKET, Exhaust
987A	806864		SEAL, Choke/Throttle Shaft



Carburetor Overhaul Kit, Engine & Valve Gasket Sets

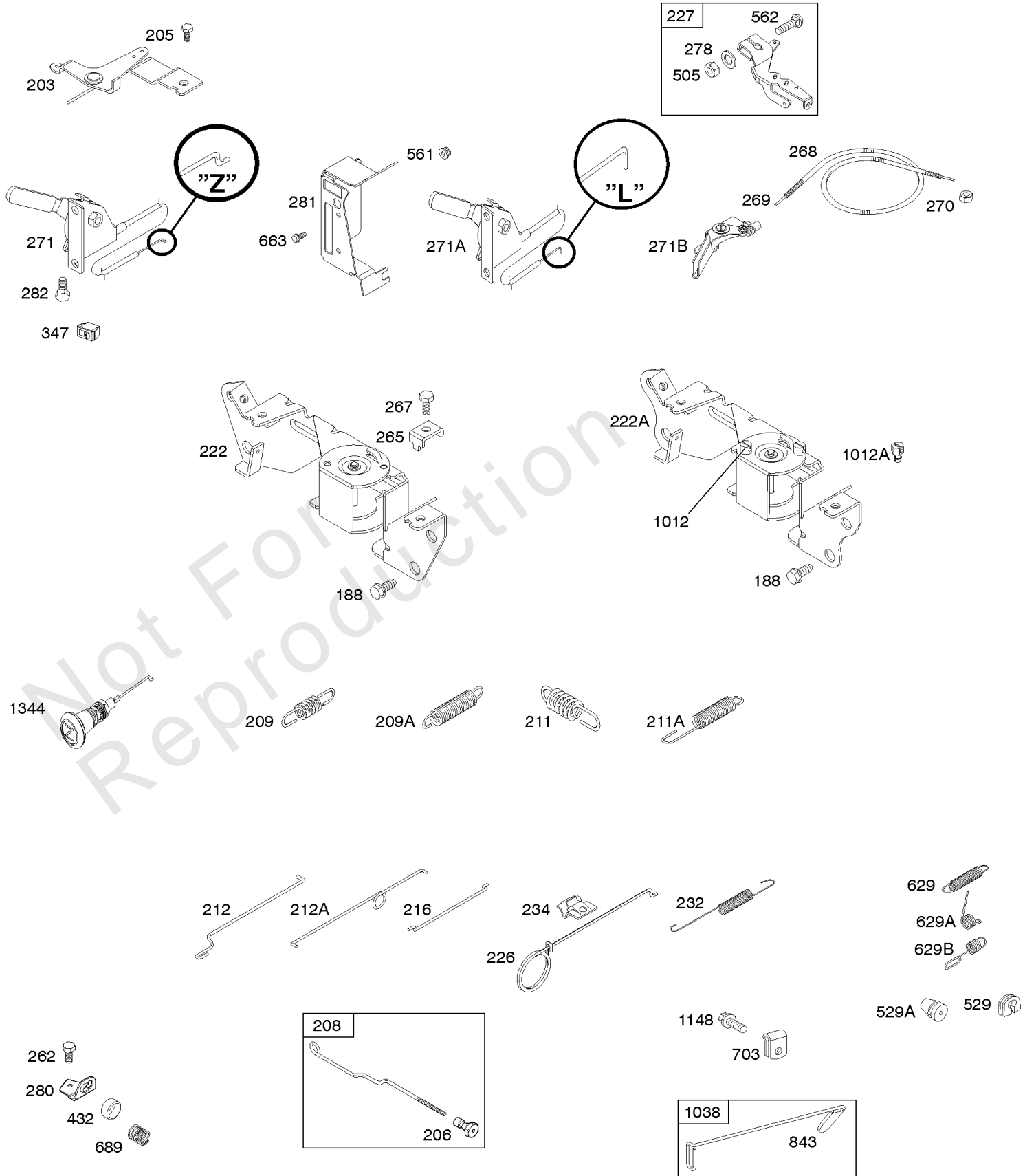
REF NO	PART NO	QTY	DESCRIPTION
988	692063		GASKET, Oil Adapter
1022	806039S		GASKET, Rocker Cover
1091	691516		CAP, Limiter
1095B	808392		GASKET SET, Valve -Used Before Code Date 01120300
1095B	842723		GASKET SET, Valve -Used After Code Date 01120200

Not For Reproduction



Controls, Springs

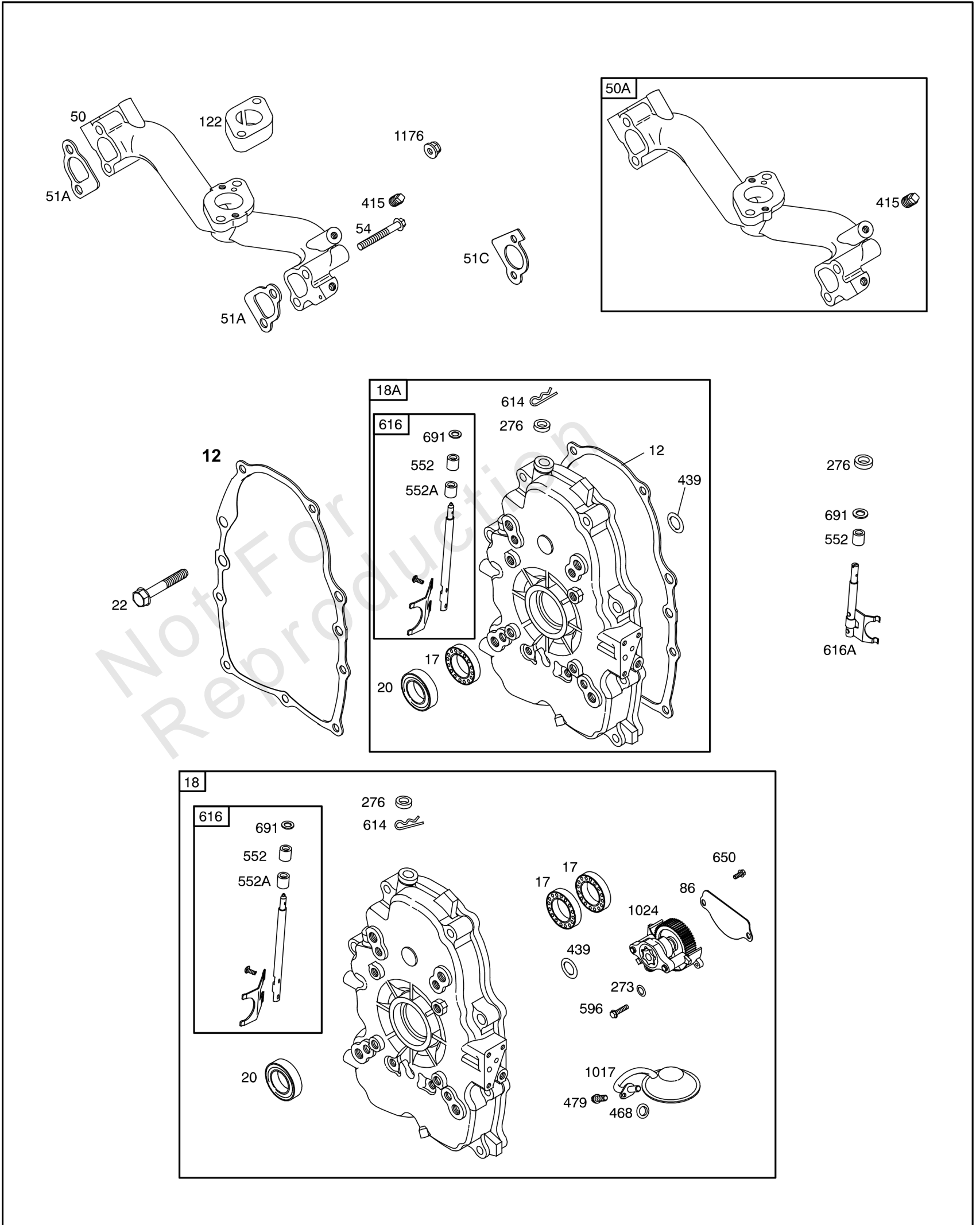
REF NO	PART NO	QTY	DESCRIPTION
188	692056		SCREW -(Control Bracket)
203	690923		CRANK, Bell
205	692083		SCREW -(Bell Crank)
206	691244		NUT, Governor Adjusting
208	808453		ROD, Governor Control
209	692070		SPRING, Governor
211	692069		SPRING, Governed Idle
211A	692068		SPRING, Governed Idle
212	690712		LINK, Throttle
212A	691519		LINK-THROTTLE
216	690705		LINK, Choke
222	845305		BRACKET, Control -(Used With Control Lever And/Or Wire With Z Formed End) -Used After Code Date 94113000
226	692075		ROD, Choke
227	690236		LEVER, Governor Control
232	692073		SPRING, Governor Link
234	691723		CLIP, Control Rod
262	692083		SCREW -(Rod Bracket)
265	691024		CLAMP, Casing
267	692083		SCREW -(Casing Clamp)
268	691025		CASING, Control Wire -(Cut To Required Length)
269	691026		WIRE, Control -(Cut To Required Length)
270	691027		NUT -(Control Wire Casing)
271	692541		LEVER, Control -(Cable Wire With Z Formed End)
271A	692105		LEVER, Control -(Cable Wire With L Formed End)
271B	691028		LEVER, Control
278	842122		WASHER -(Governor Control Lever)
280	691526		BRACKET, Fixed Speed
281	690742		PANEL, Control
282	692083		SCREW -(Control Lever)
347	691995		SWITCH-ROCKER -(Without Light)
432	691509		CAP, Spring
505	690238		NUT -(Governor Lever)
529	690744		GROMMET
529A	691527		GROMMET
561	690713		NUT -(Control Lever)
562	690239		BOLT -(Governor Control Lever)
629	806717		SPRING, Throttle Return -(Throttle Return)
629A	806716		SPRING, Throttle Return -(Throttle Return)



Controls, Springs

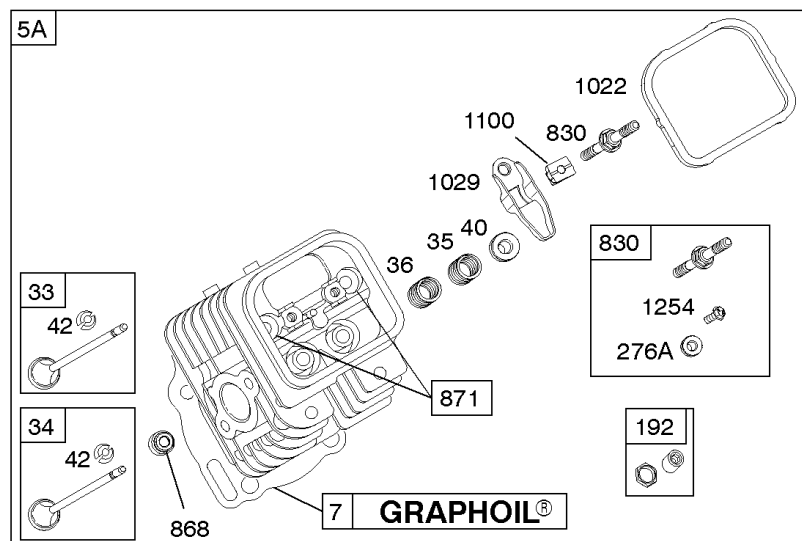
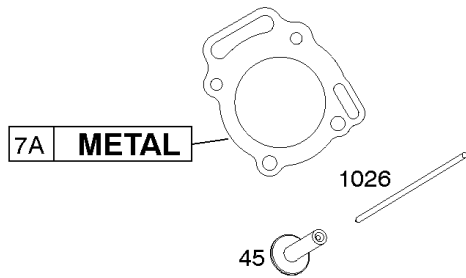
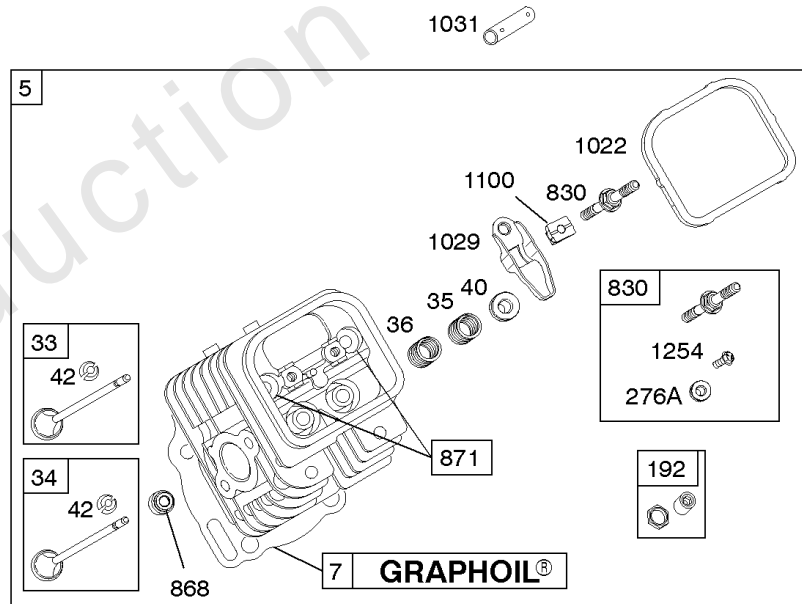
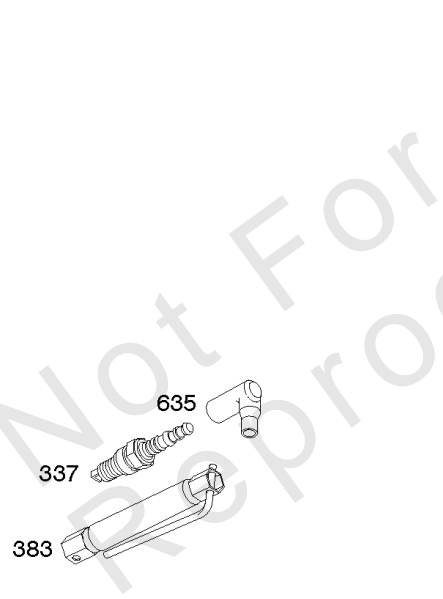
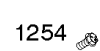
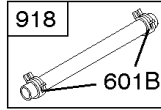
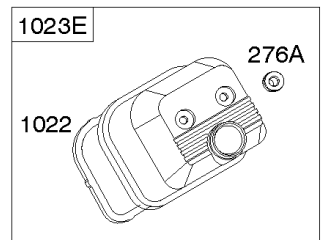
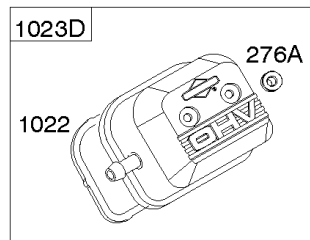
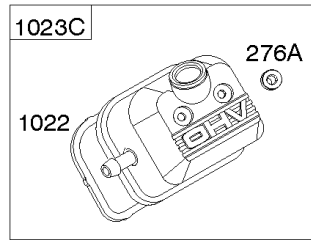
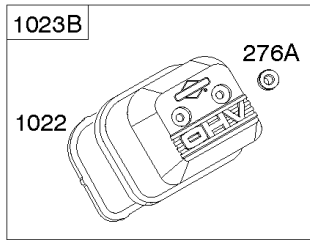
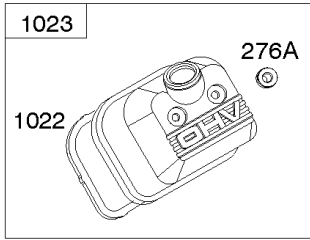
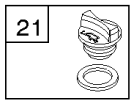
REF NO	PART NO	QTY	DESCRIPTION
663	692083		SCREW -(Control Panel)
689	691272		SPRING, Friction
703	94484		CLAMP
843	691322		SLEEVE, Lever
1012	690592		RETAINER, Link
1012A	691521		RETAINER, Link
1038	492374		ROD, Fuel Shut Off
1148	94504		SCREW -(Clip)

Not For Reproduction



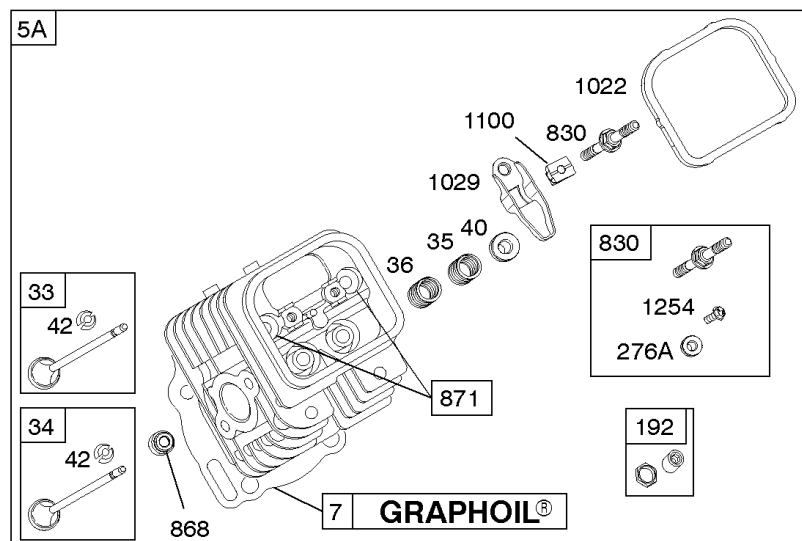
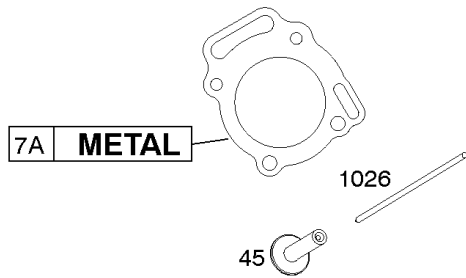
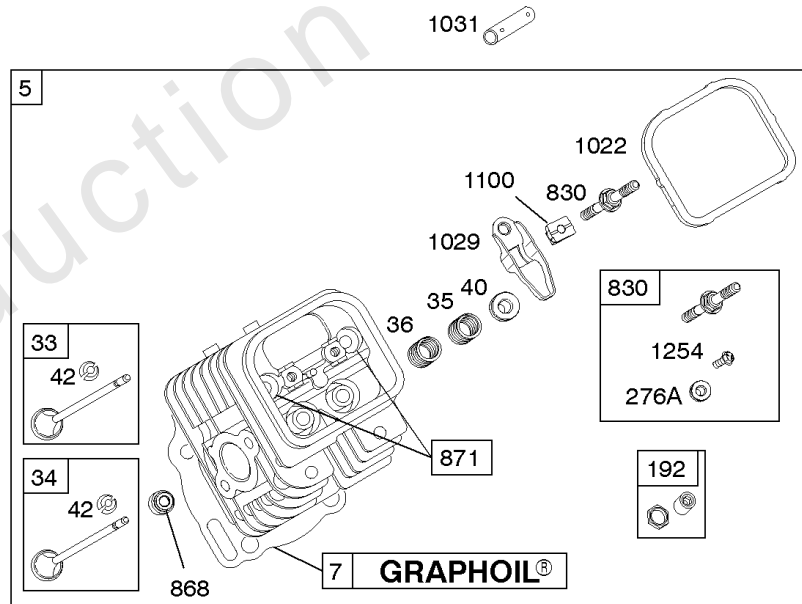
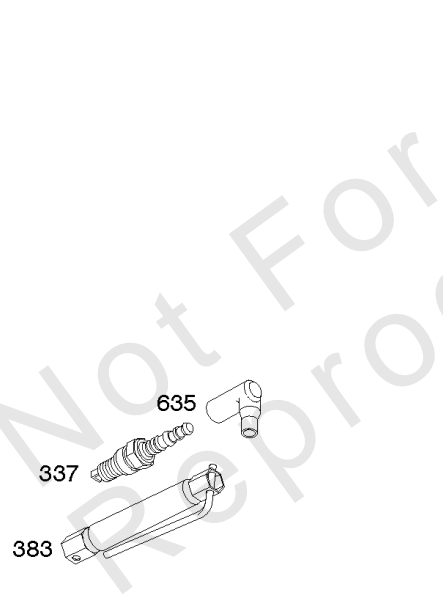
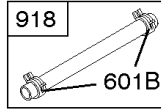
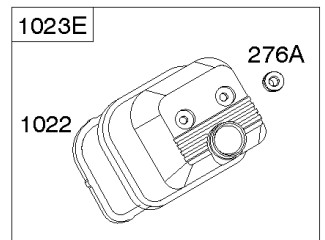
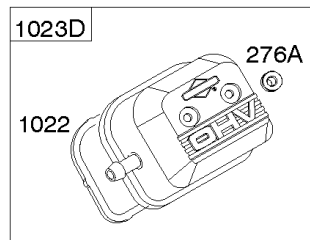
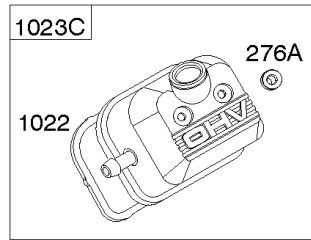
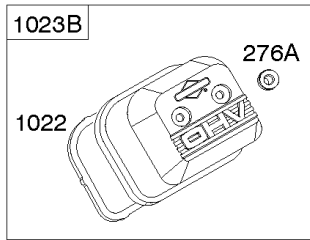
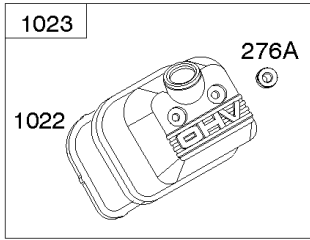
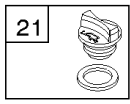
Crankcase Cover, Intake Manifold

REF NO	PART NO	QTY	DESCRIPTION
12	845254		GASKET-CRANKCASE
17	843827		BEARING, Ball
18	844588		COVER, Crankcase
18A	808849		COVER, Crankcase
20	805049S		SEAL, Oil -(PTO Side)
22	807362		SCREW -(Crankcase Cover/Sump)
50	690754		MANIFOLD, Intake
50A	805772		MANIFOLD, Intake
51A	692035		GASKET, Intake -(Manifold to Cylinder Head)
51C	691694		GASKET, Intake -(Carburetor To Manifold)
54	690676		SCREW -(Intake Manifold)
86	690745		COVER, Gear
122	690691		SPACER, Carburetor
273	690681		SEAL, O-Ring -(Oil Pump)
276	690704		WASHER
415	794903		PLUG -(Intake Manifold)
439	805198		SEAL, O-Ring -(Crankcase Cover/Sump or Cylinder Assembly) -Used Before Code Date 97050100
439	692154		O-RING, Oil Gallery -(Crankcase Cover/Sump or Cylinder Assembly) -Used After Code Date 97043000
468	690690		SEAL, O-Ring -(Oil Pump Screen)
479	807084		SCREW -(Oil Pump Screen)
552	690701		BUSHING, Governor Crank -(Output End)
552A	806686		BUSHING, Governor Crank -(Flanged)
596	691492		SCREW -(Oil Pump)
614	691550		PIN, Cotter
616	806685		CRANK, Governor -Used After Code Date 99072000
616A	690899		CRANK, Governor -Used Before Code Date 99072100
650	841233		SCREW -(Oil Deflector)
691	842826		SEAL, Governor Shaft
1017	690900		SCREEN, Oil Pump
1024	843825		PUMP, Oil -Used After Code Date 07101400
1024	-----		Pump-Oil -(Oil Pump is No Longer Available) (See Reference 18 for correct replacement Crankcase Cover) -Used Before Code Date 07101500
1176	842067		NUT -(Exhaust Manifold)



Cylinder Head, Valves, Rocker Covers

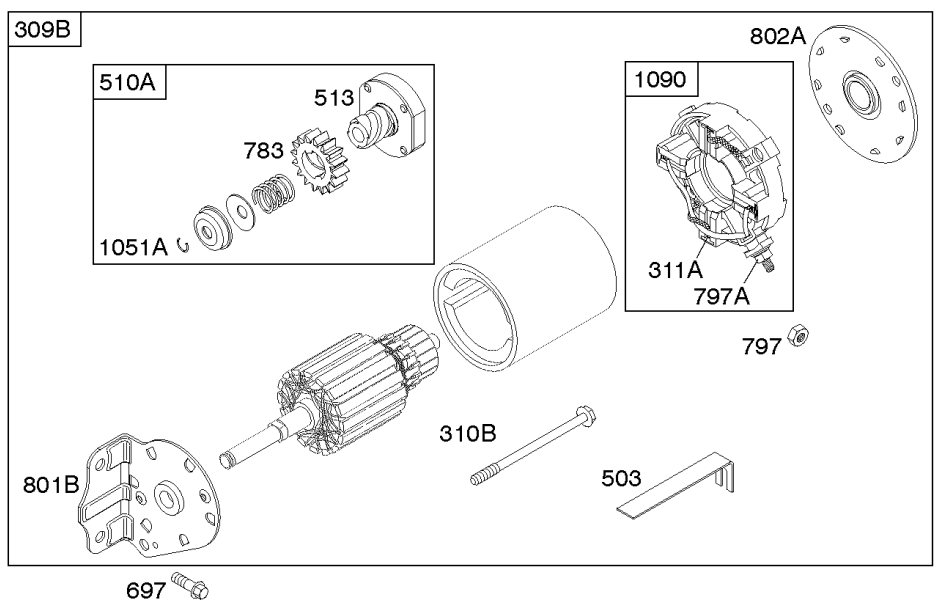
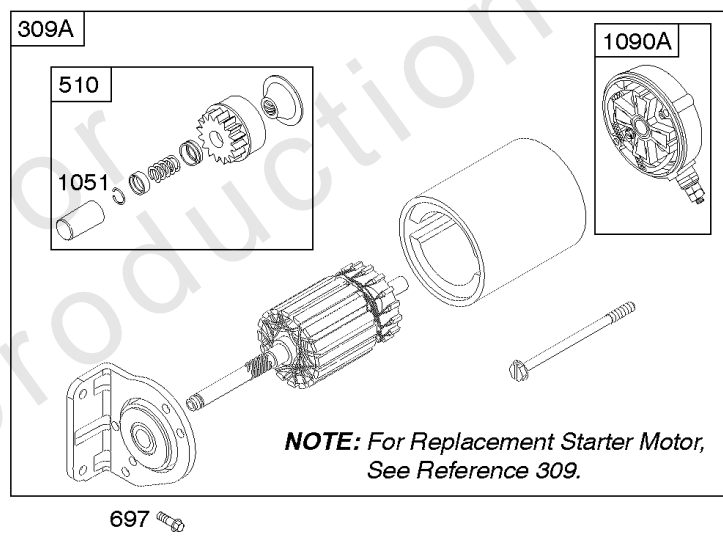
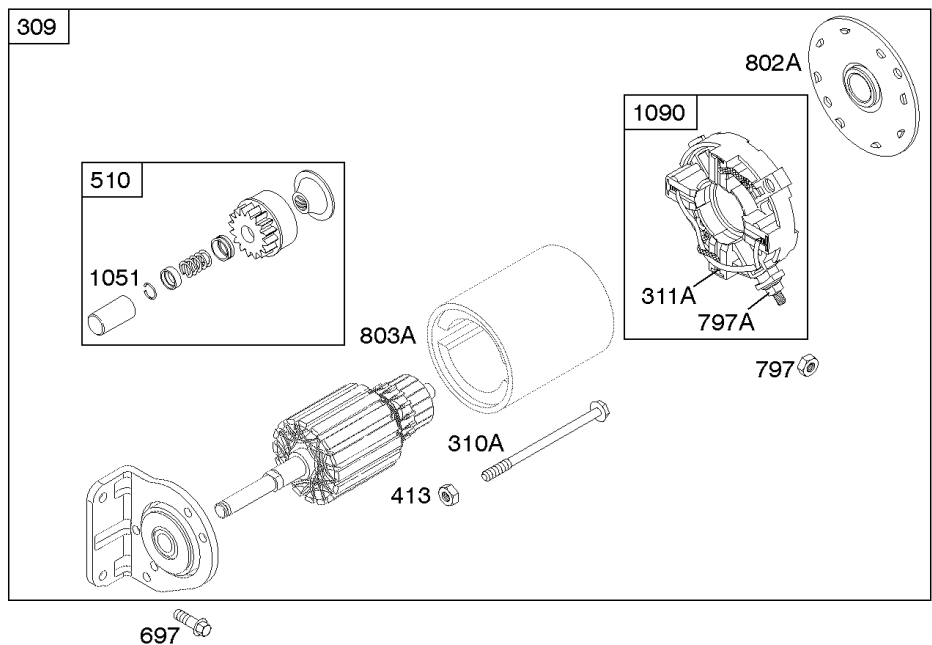
REF NO	PART NO	QTY	DESCRIPTION
5	809200		HEAD, Cylinder -(Cylinder 1)
5A	845716		HEAD, Cylinder -(Cylinder 2)
6	805193		WASHER -(Cylinder Head) -Used Before Code Date 94050100
6	842122		WASHER -(Cylinder Head) -Used After Code Date 94043000
7	806085S		GASKET, Cylinder Head -(Graphoil) -Used After Code Date 96033100
7A	807986		GASKET, Cylinder Head -(Metal) -Used Before Code Date 96040100
13	692059		SCREW -(Cylinder Head)
21	809500		CAP, Oil Fill
33	807681		VALVE, Exhaust
34	807680		VALVE, Intake
35	692084		SPRING, Valve -(Intake)
36	692084		SPRING, Valve -(Exhaust)
40	692058		RETAINER, Valve
42	807683		KEEPER, Valve
45	843379		TAPPET, Valve
192	807623		ADJUSTER, Rocker Arm
276A	691766		WASHER, Sealing -(Cylinder Head) -Used Before Code Date 01120300
276A	807085		WASHER, Sealing -(Cylinder Head) -Used After Code Date 01120200
337	491055S		PLUG, Spark
337	84007216	2	PLUG, SPARK -(China Only)
383	19576S		WRENCH, Spark Plug
601B	791850		CLAMP, Hose
635	692076		BOOT, Spark Plug
812	692055		NUT -(Rocker Cover) -Used Before Code Date 01120300
830	809157		STUD, Rocker Arm -(Rocker Arm) -Used After Code Date 96033100
830	----		Stud-Rocker Arm -(NO LONGER AVAILABLE) -Used Before Code Date 96040100
868	691963		SEAL, Valve
871	692057		BUSHING, Valve Guide
918	791880		HOSE, Vacuum -(Rocker Cover To Impulse Pump)(Cut To Required Length)
1022	806039S		GASKET, Rocker Cover
1023	843749		COVER, Rocker
1023B	691494		COVER, Rocker
1023C	690910		COVER, Rocker



Cylinder Head, Valves, Rocker Covers

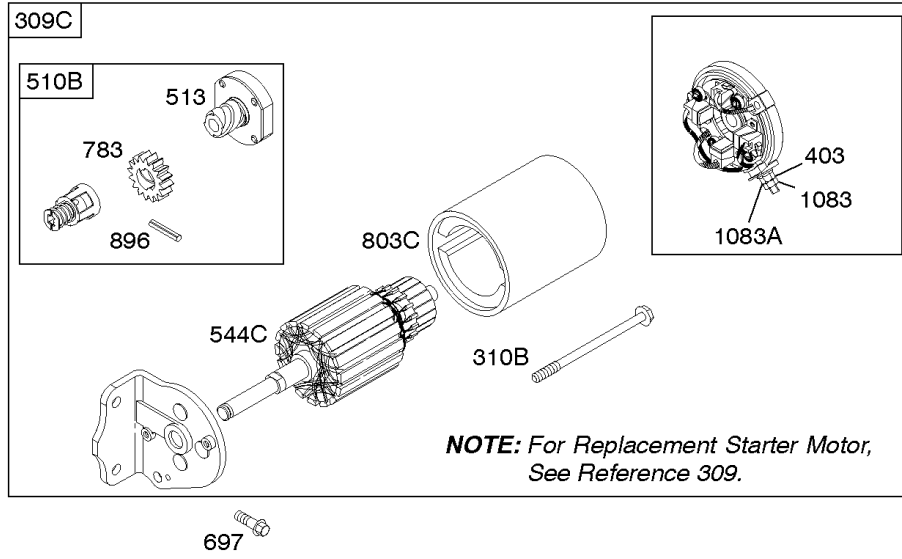
REF NO	PART NO	QTY	DESCRIPTION
1023E	691531		COVER, Rocker
1023D	691558		COVER, Rocker
1026	691758		ROD, Push -(Aluminum)
1026	691836		ROD, Push -(Steel)
1029	807323		ARM, Rocker
1031	690693		SHAFT, Rocker Arm
1100	791959		PIVOT, Rocker Arm
1254	807084		SCREW -(Rocker Arm Stud) (Used on Stud For Rocker Cover) -Used After Code Date 01120200

Not For Reproduction

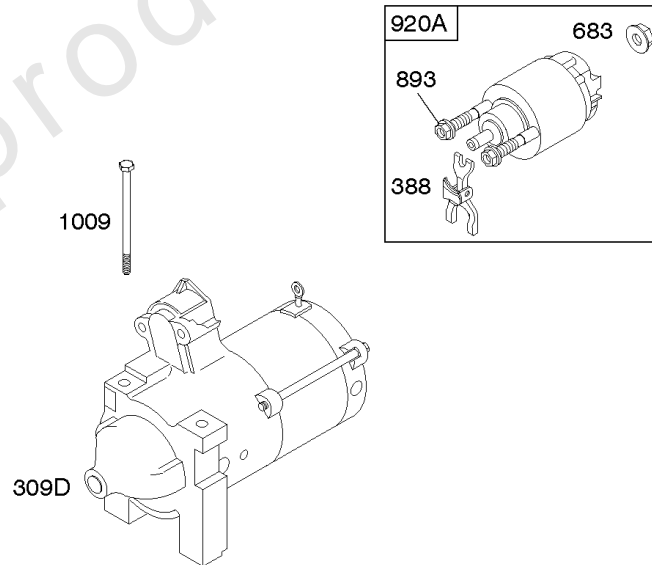


Electric Starter #1

REF NO	PART NO	QTY	DESCRIPTION
309	691564		MOTOR-STARTER -(Steel Ring Gear Only)
309A	-----		Motor-Starter -(NO LONGER AVAILABLE)
309B	795121		MOTOR-STARTER -(Services Aluminum Ring Gear Only)
310A	690323		SCREW -(Starter Motor) (4 7/16" Long)
310B	691263		BOLT -(Starter Motor) (5-3/8) (4 3/8 Housing)
311A	497608		SET, Brush
413	693587		NUT -(Starter Motor)
503	691532		STRAP, Starter
510	496881		DRIVE, Starter -(Steel Pinion Gear)
510A	696541		DRIVE, Starter
513	692024		CLUTCH, Drive
697	692062		SCREW -(Drive Cap)
783	695708		GEAR-PINION -(Services Aluminum Ring Gear Only)
797	691029		NUT -(Brush Retainer)
797A	693167		NUT -(Brush Retainer)
801B	691283		CAP, Drive
802A	691286		CAP, End
803A	693547		HOUSING, Starter -(Replacement Starter Motor, Order Reference 309)
1051	691124		RING, Retaining
1051A	691265		RING, Retaining
1090	691293		RETAINER, Brush
1090A	496813		RETAINER, Brush

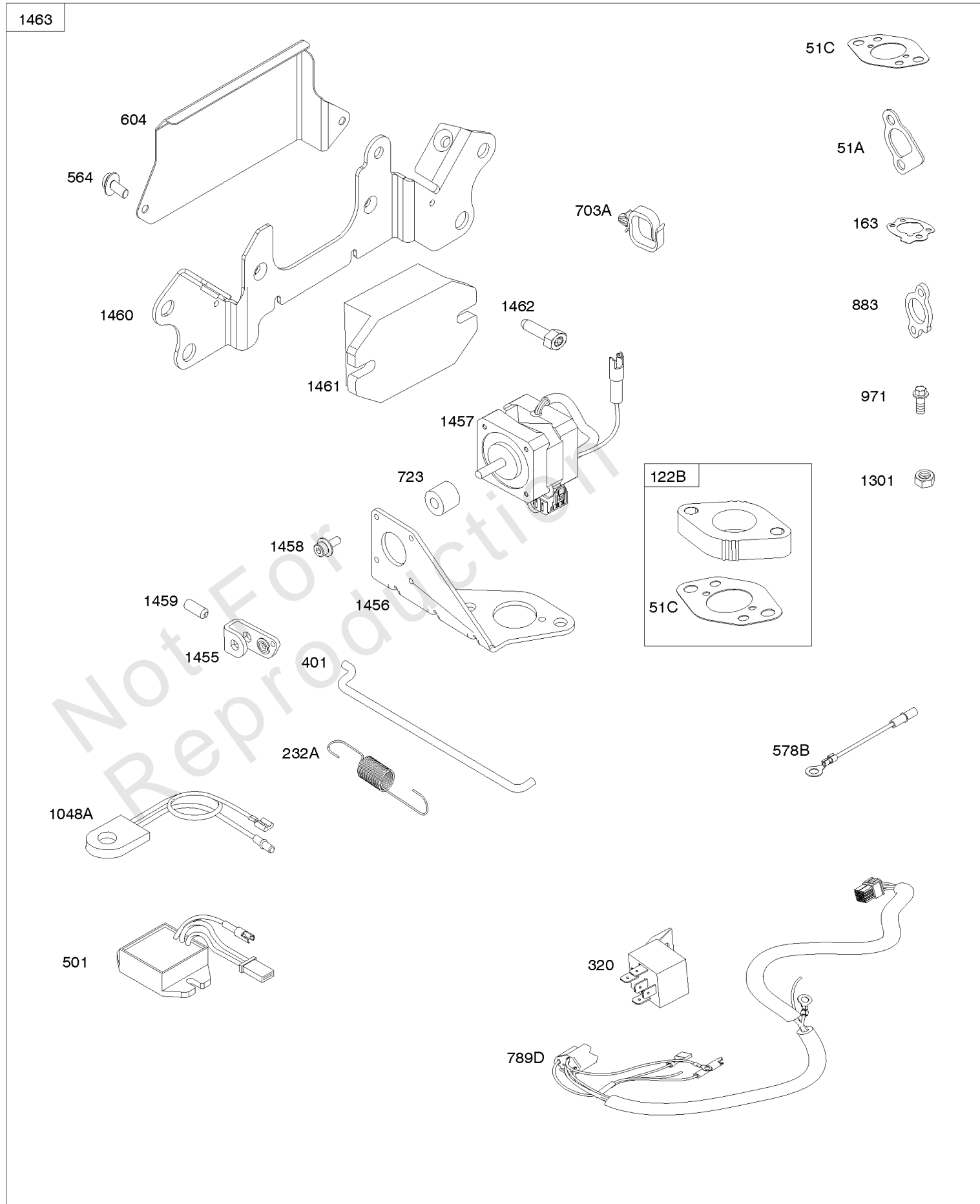


Not For
Reproduction



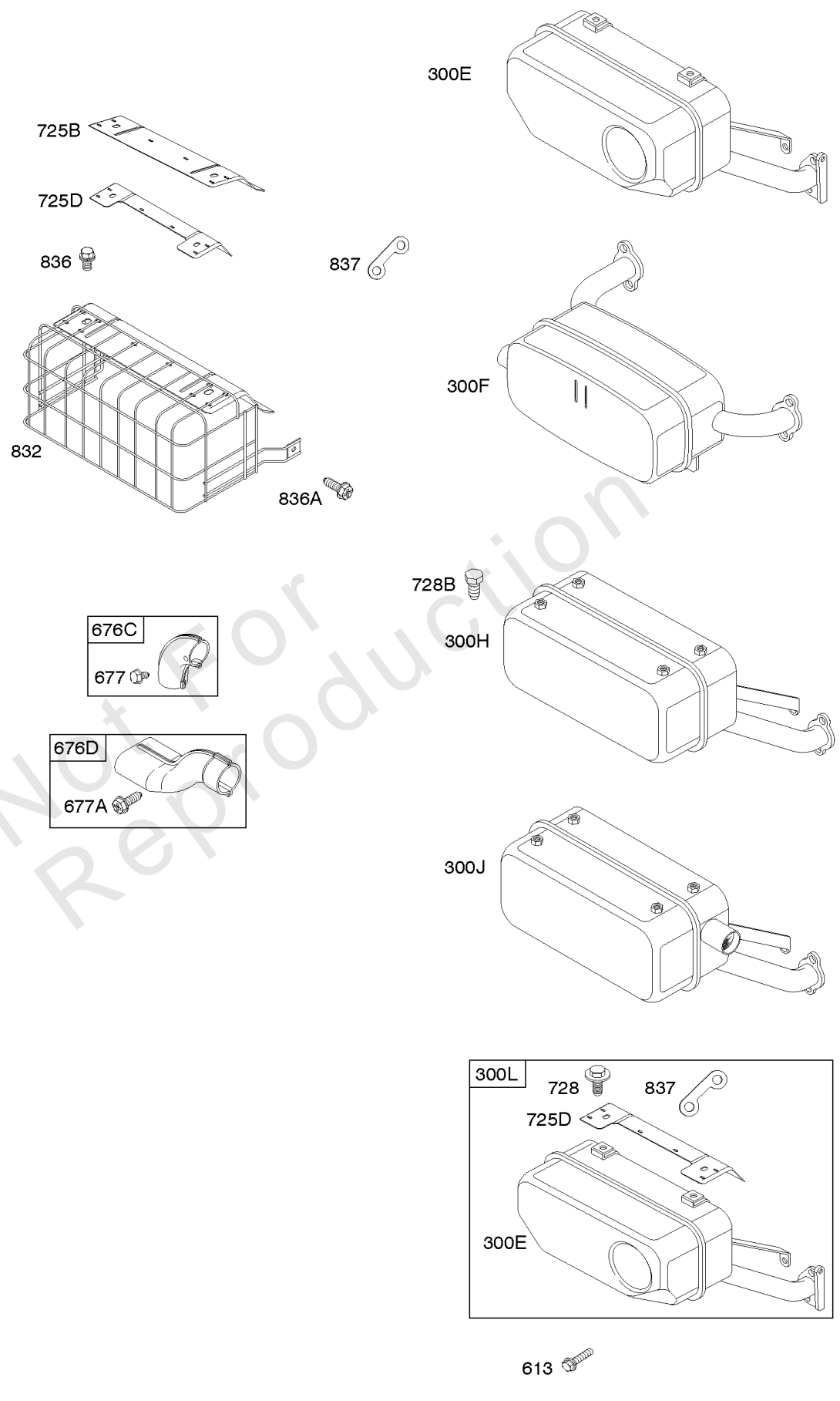
Electric Starter #2

REF NO	PART NO	QTY	DESCRIPTION
309C	-----		Motor-Starter -(NO LONGER AVAILABLE)
310B	691263		BOLT -(Starter Motor) (5-3/8) (4 3/8 Housing)
403	690288		WASHER -(End Cap)
510B	696540		DRIVE, Starter -(4 3/8 Housing)
513	692024		CLUTCH, Drive
544C	490309		ARMATURE, Starter -(4 1/2 And 4 3/8 Housing)
683	691029		NUT -(Starter Solenoid)
697	692062		SCREW -(Drive Cap)
783	695708		GEAR-PINION -(Services Aluminum Ring Gear Only)
803C	494205		HOUSING, Starter -(4 3/8 Housing)
803C	398892		HOUSING, Starter -(4 9/16 Housing)
896	691641		PIN, Drive Retainer
1009	806474		SCREW -(Starter Motor)
1083	691626		NUT -(End Cap)
1083A	690958		NUT -(End Cap)



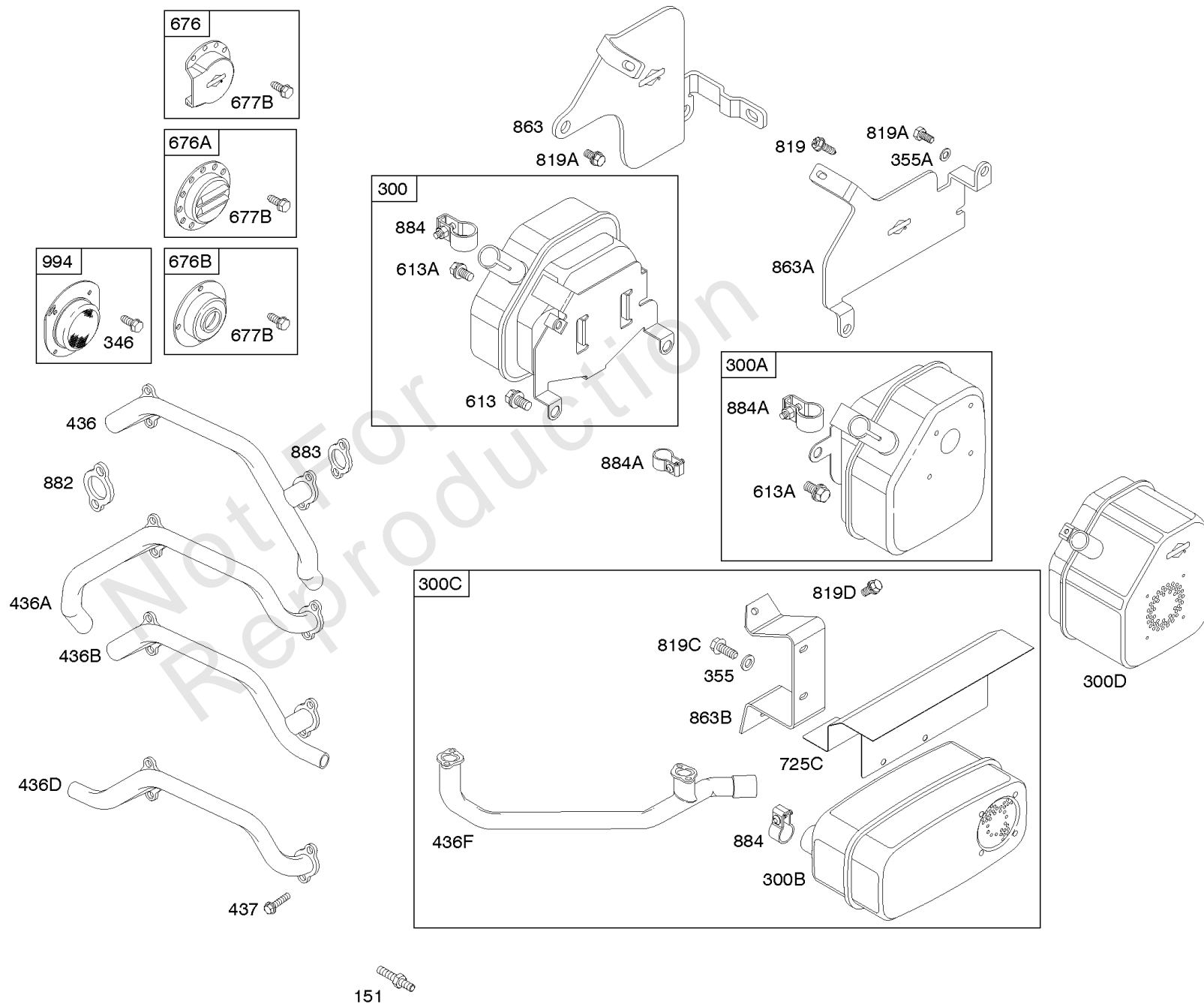
Electronic Governor

REF NO	PART NO	QTY	DESCRIPTION
51A	692035		GASKET, Intake -(Manifold to Cylinder Head)
51C	691694		GASKET, Intake -(Carburetor To Manifold)
122B	845817		SPACER, Carburetor
163	692081		GASKET, Air Cleaner -(Air Cleaner)
232A	845816		SPRING/LINK, Governor
320	1726829SM		RELAY(S)
401	845814		LINK, Actuator
501	797375		REGULATOR -(10 Amp Regulated)
564	690677		SCREW -(Control Cover)
578B	845849		WIRE ASSEMBLY
604	845821		COVER, Control
703A	691010		CLIP
723	845818		SEAL, Foam
789D	845788		HARNESS, Wiring
883	691613		GASKET, Exhaust
971	807084		SCREW -(Air Cleaner Base to Carburetor)
1048A	845556		MODULE, Electronic Governor
1301	845823		NUT -(Wiring Harness)
1455	845813		LEVER, Actuator
1456	845815		BRACKET, Mounting
1457	845819		MOTOR, Stepper
1458	845812		SCREW -(Stepper Motor)
1459	845820		SCREW
1460	845822		BRACKET, Control
1461	845824		UNIT, Engine Control
1462	792629		SCREW -(Engine Control Unit) (ECU)



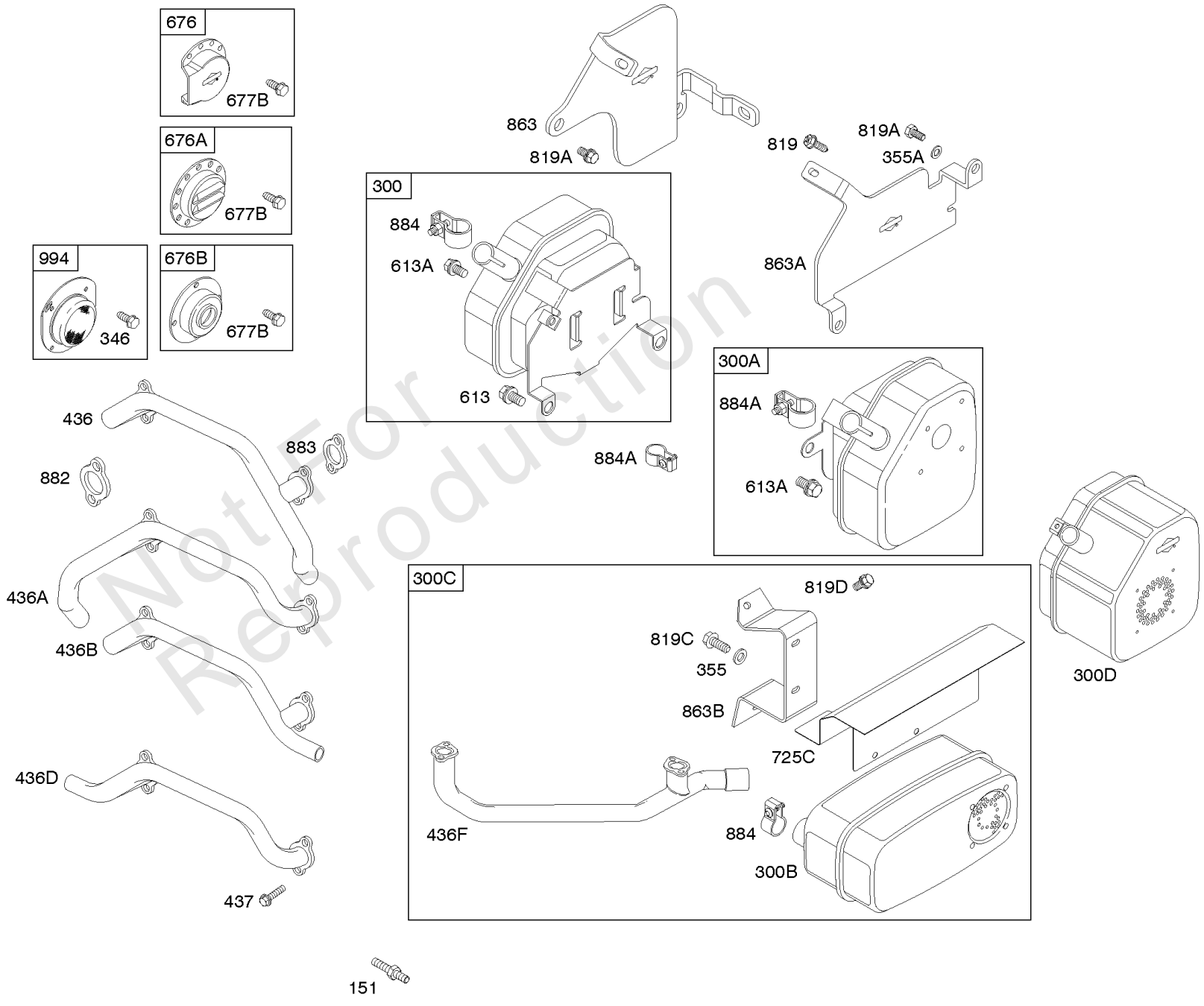
Exhaust System #1

REF NO	PART NO	QTY	DESCRIPTION
300E	690906		MUFFLER -(Cylinder 1)(Side Outlet)(Starter Motor Side)
300F	690931		MUFFLER -(Hi Mount)(Starter Side Exit)
300J	807799		MUFFLER -(Cylinder 2)(Side Outlet)(Oil Filter Side)
300H	807831		MUFFLER -(Cylinder 1)(Side Outlet)(Starter Motor Side)
300L	808380		MUFFLER -(Cylinder 1)(Side Outlet)(Starter Motor Side)
613	691902		SCREW -(Muffler)
676C	495518		DEFLECTOR, Muffler
676D	808394		DEFLECTOR, Muffler
677	810079		SCREW -(Muffler Deflector)
677A	690688		SCREW -(Muffler Deflector)
725B	691498		SHIELD, Heat
725D	805702		SHIELD, Heat
728	691514		SCREW -(Heat Shield)
728B	805704		SCREW -(Heat Shield)
832	691571		GUARD, Muffler
836	691514		SCREW -(Muffler Guard)
836A	692067		SCREW -(Muffler Guard)
837	808085		SPACER, Muffler -(Includes 2)



Exhaust System #2

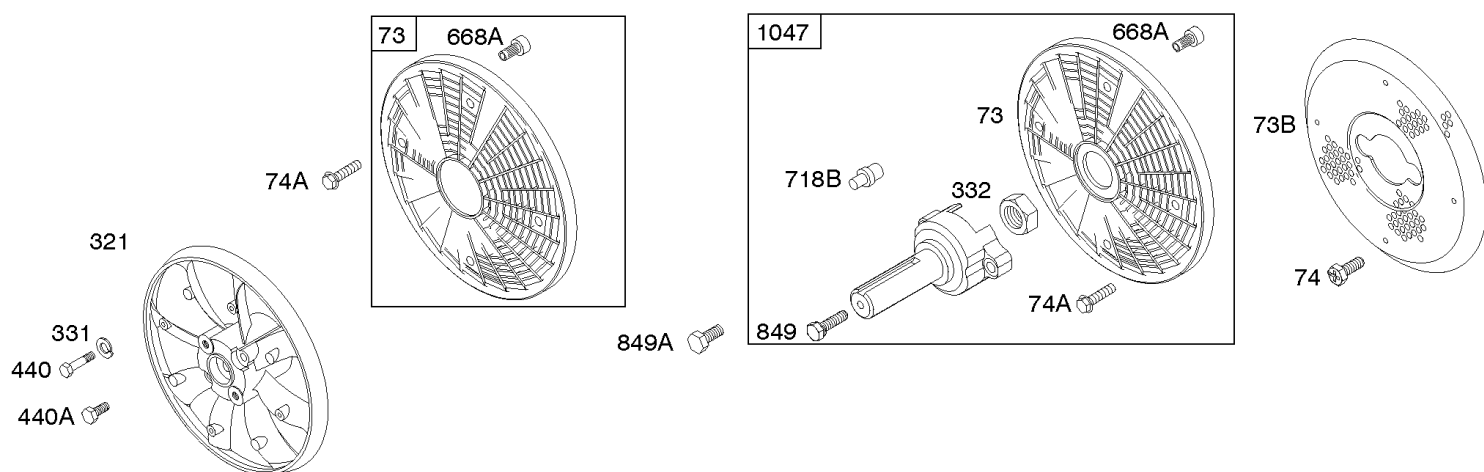
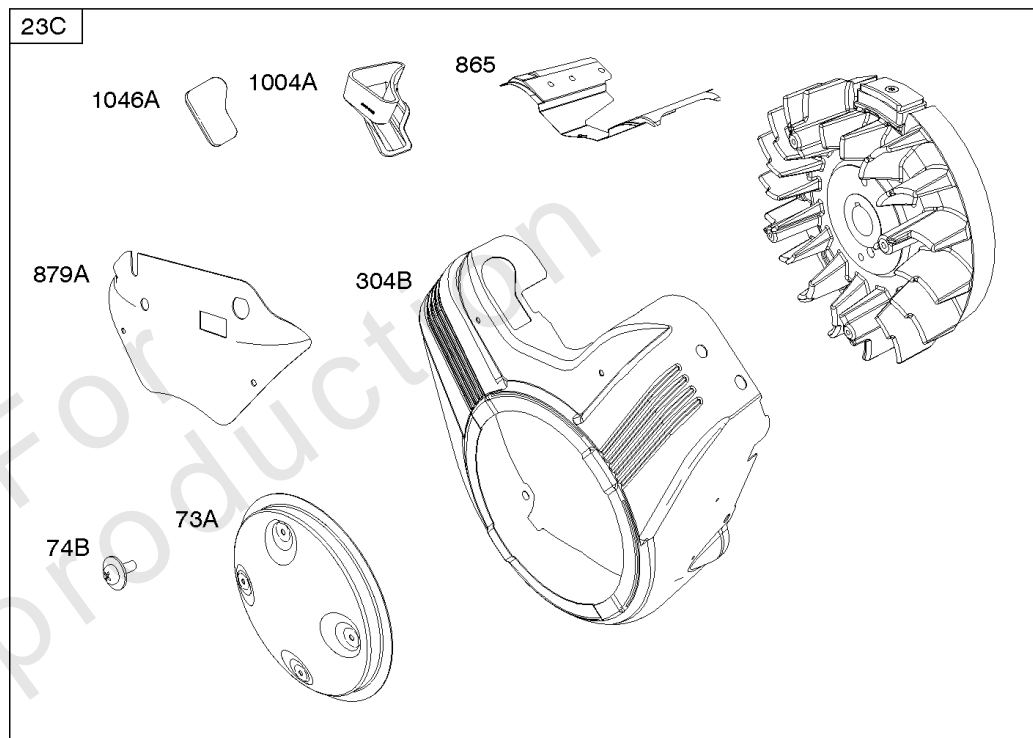
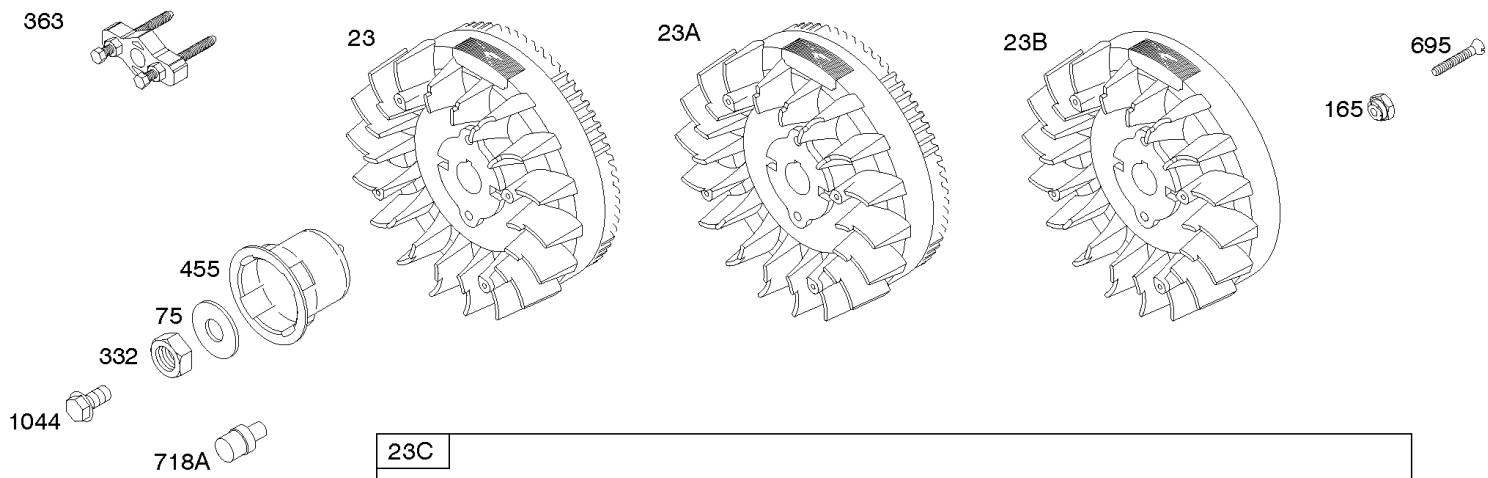
REF NO	PART NO	QTY	DESCRIPTION
151	841185		STUD -(Exhaust Manifold)
300	-----		Muffler -(For Replacement Muffler, Order 692099)
300A	807742		MUFFLER -(Cylinder 2) (Side Outlet)
300B	498984S		MUFFLER -(Super Lo Tone)
300D	692099		MUFFLER
300C	807752		MUFFLER -(Low Mount)
346	690661		SCREW -(Spark Arrestor)
355	842122		WASHER -(Muffler Bracket)
355A	690944		WASHER -(Muffler Bracket)
436	692061		MANIFOLD, Exhaust -(Cylinder 2) (Side Outlet)
436A	691499		MANIFOLD, Exhaust -(Cylinder 2) (Side Outlet)
436B	691501		MANIFOLD, Exhaust -(Cylinder 1) (Side Outlet)
436D	691502		MANIFOLD, Exhaust -(Used With Muffler Supplied By Customer)
436F	805609		MANIFOLD, Exhaust -(Used With Muffler Supplied By Customer)
437	691902		SCREW -(Exhaust Manifold)
613	691902		SCREW -(Muffler)
613A	692067		SCREW -(Muffler)
676	795036		DEFLECTOR, Muffler -(Side Out)
676A	795038		DEFLECTOR, Muffler -(Louvered)
676B	396903		DEFLECTOR, Muffler -(Direct Out)
677B	690661		SCREW -(Muffler Deflector)
725C	806102		SHIELD, Heat
819	690297		SCREW -(Muffler Bracket) -Used After Code Date 97012300
819	692198		SCREW -(Muffler Bracket) -Used Before Code Date 97012400
819A	692056		SCREW -(Muffler Bracket) (14 mm)
819A	690943		SCREW -(Muffler Bracket) (16mm)
819D	692062		SCREW -(Muffler Bracket)
819C	692067		SCREW -(Muffler Bracket) (12 mm Long)
819C	807084		SCREW -(Muffler Bracket)
863	691513		BRACKET, Muffler -(Cylinder 2 Side)



Exhaust System #2

REF NO	PART NO	QTY	DESCRIPTION
863A	690756		BRACKET, Muffler -(Cylinder 2 Side)
863B	806759		BRACKET, Muffler
882	692074		FLANGE, Exhaust
883	691613		GASKET, Exhaust
884	690898		CLAMP, Muffler
884A	691956		CLAMP, Muffler
994	794945		ARRESTOR, Spark

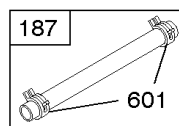
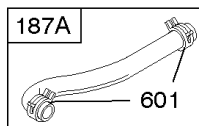
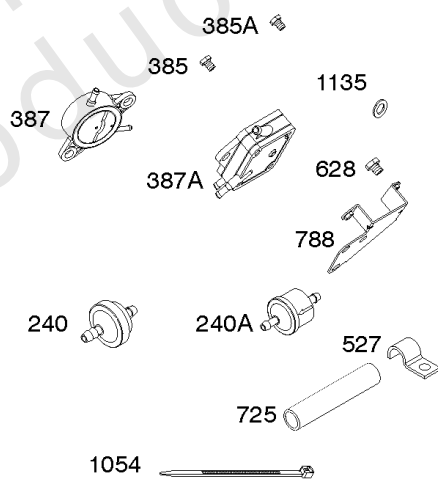
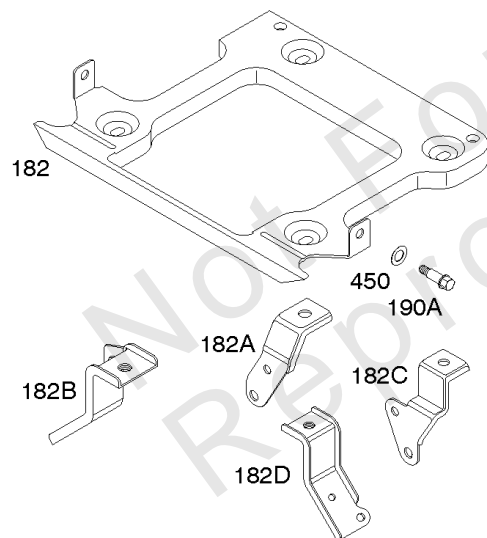
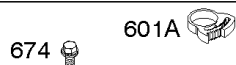
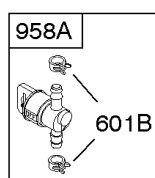
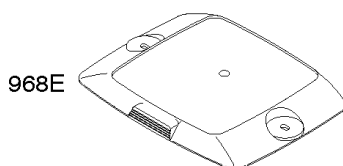
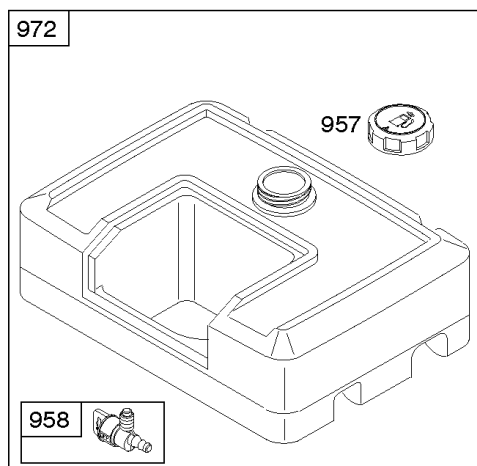
Not For Reproduction



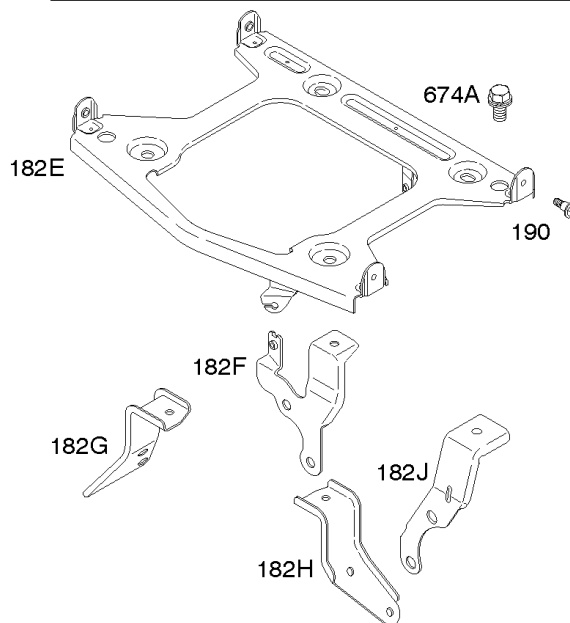
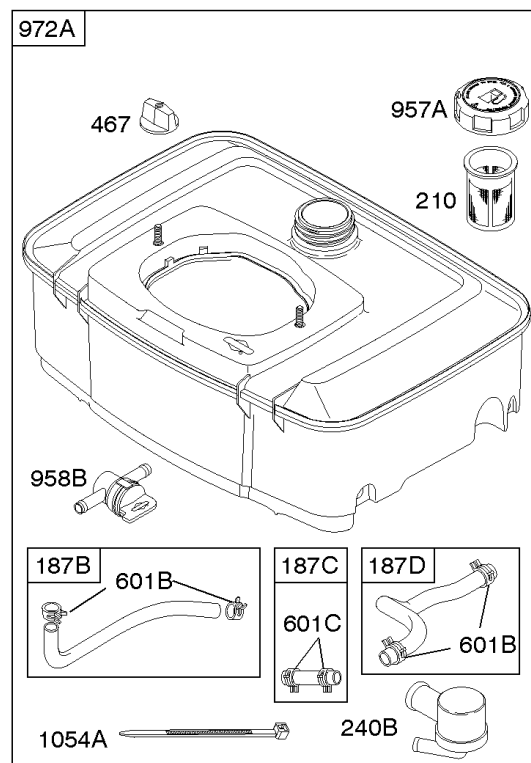
Flywheel, Starter Kit, Rotating Screens

REF NO	PART NO	QTY	DESCRIPTION
23	808770		FLYWHEEL -(Replacement Flywheel, Order Part Number 844818 Flywheel ConversionKit)
23B	690889		FLYWHEEL -(Rewind Starter)
23C	844818		FLYWHEEL
73	494439		SCREEN, Rotating -(Flush)
73A	841440		SCREEN, Rotating
73B	690478		SCREEN-ROTATING
74	691655		SCREW -(Rotating Screen)
74A	691647		SCREW -(Rotating Screen)
74B	841441		SCREW -(Rotating Screen)
75	691490		WASHER -(Flywheel)
165	693148		NUT -(Ring Gear)
304B	842681		HOUSING, Blower
321	690379		FAN, Booster
331	691075		WASHER -(Booster Fan)
332	690887		NUT -(Flywheel)
363	19203		PULLER, Flywheel
440	690335		SCREW -(Booster Fan)
440A	690342		SCREW -(Booster Fan)
455	805153		CUP, Flywheel -Used Before Code Date 93072600
455	691517		CUP, Flywheel -Used After Code Date 93072500
668A	691500		SPACER
695	693109		SCREW -(Ring Gear)
718A	805102		PIN, Locating -Used Before Code Date 90091100
718B	690740		PIN, Locating
849	691088		SCREW -(Stub Shaft)
849A	690342		SCREW -(Stub Shaft)
879A	842123		COVER, Carburetor/EFI
1004A	841656		DUCT, Air
1044	692056		SCREW -(Flywheel)
1046A	843068		PLUG, Blower Housing
1047	841580		SHAFT, Stub

7 QUART



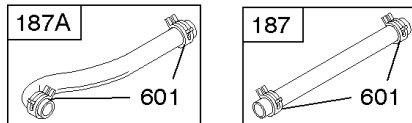
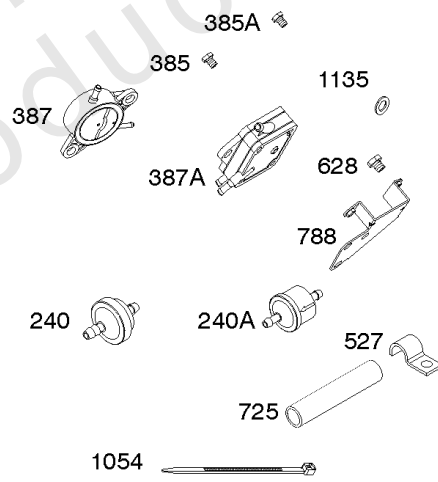
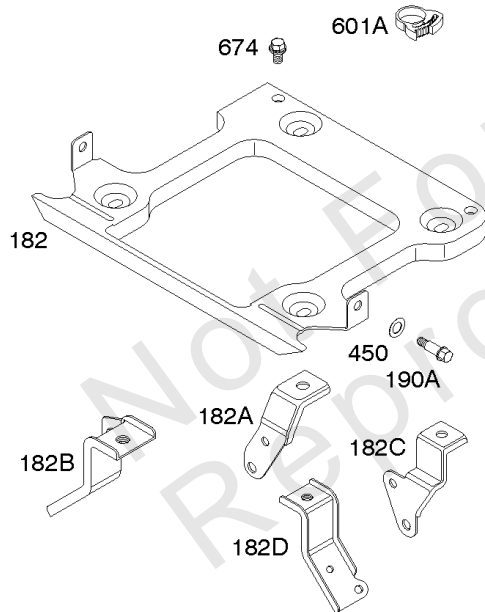
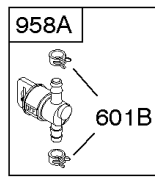
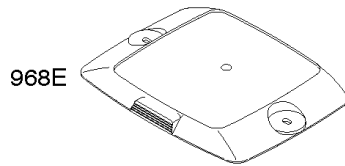
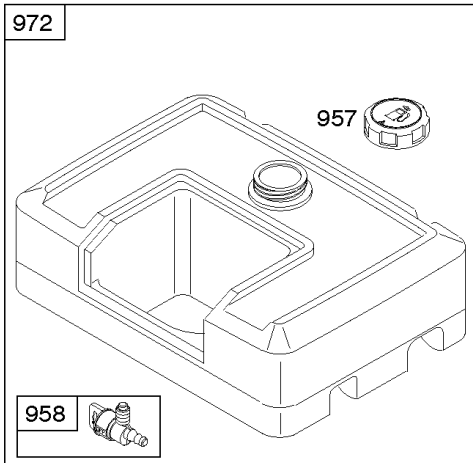
9 QUART



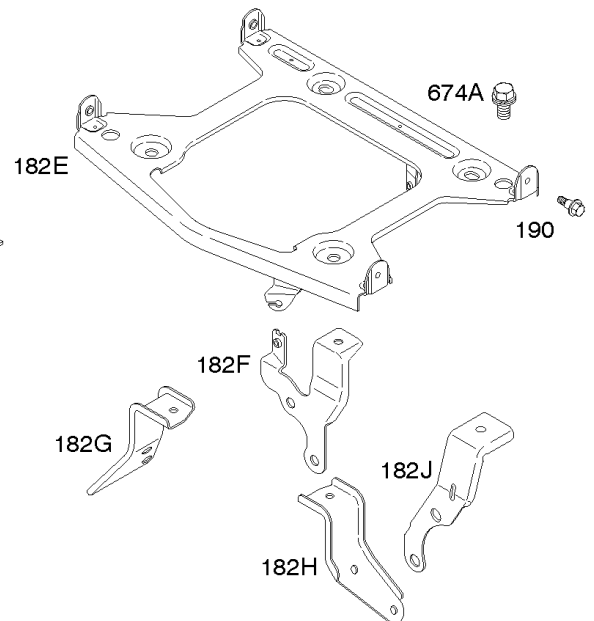
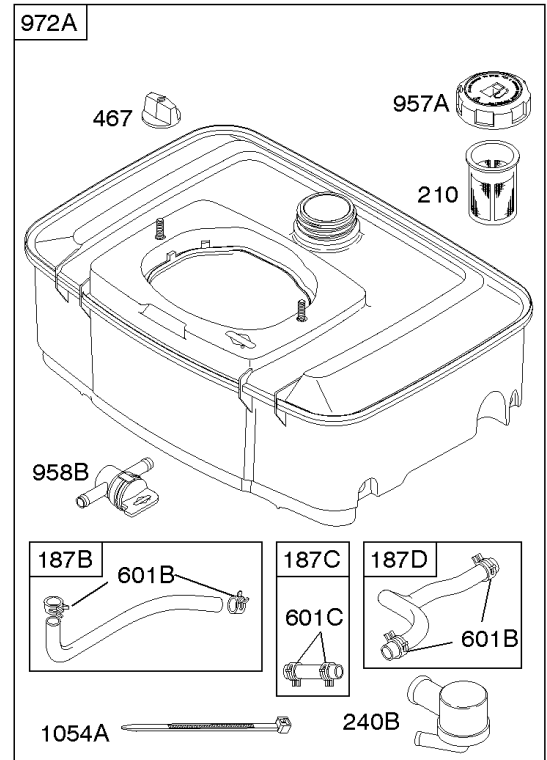
Fuel Supply

REF NO	PART NO	QTY	DESCRIPTION
7	806085S		GASKET, Cylinder Head -(Graphoil) -Used After Code Date 96033100
9	844986		GASKET, Breather
182	492317		BRACKET, Fuel Tank
182A	690778		BRACKET, Fuel Tank
182E	841601		BRACKET-FUEL TANK
182B	690779		BRACKET, Fuel Tank
182C	690780		BRACKET, Fuel Tank
182D	690781		BRACKET, Fuel Tank
182F	691520		BRACKET, Fuel Tank
182H	691524		BRACKET, Fuel Tank
182J	691525		BRACKET, Fuel Tank
182G	841600		BRACKET, Fuel Tank
187	791745		LINE, Fuel -(Cut To Required Length)
187A	791801		HOSE, Vacuum -(Molded)
187B	692107		LINE, Fuel
187C	692106		LINE, Fuel
187D	692108		LINE, Fuel
190	692199		SCREW -(Fuel Tank)
190A	94536		SCREW -(Fuel Tank)
210	691370		STRAINER, Fuel
240	298090S		FILTER, Fuel
240A	84001895		FILTER, Fuel
240B	808116S		FILTER, Fuel
385	807084		SCREW -(Fuel Pump)
385A	693169		SCREW -(Fuel Pump)
387	808656		PUMP, Fuel
450	806497		WASHER -(Fuel Tank Bracket)
467	691985		KNOB, Air Cleaner Cover
527	690423		CLAMP, Tube
601	691038		CLAMP, Hose
601A	805813		CLAMP, Hose
601B	791850		CLAMP, Hose
601C	691522		CLAMP, Hose
628	806660		SCREW -(Fuel Pump Bracket)
674	692056		SCREW -(Fuel Tank Bracket) (M8 X 14)
674A	692062		SCREW -(Fuel Tank Bracket) (M8X18mm)
725	-----		Shield-Heat -(NO LONGER AVAILABLE)
788	691559		BRACKET, Fuel Pump
957	491367S		CAP, Fuel Tank -(Plastic)
957A	795027		CAP, Fuel Tank -(Plastic)

7 QUART



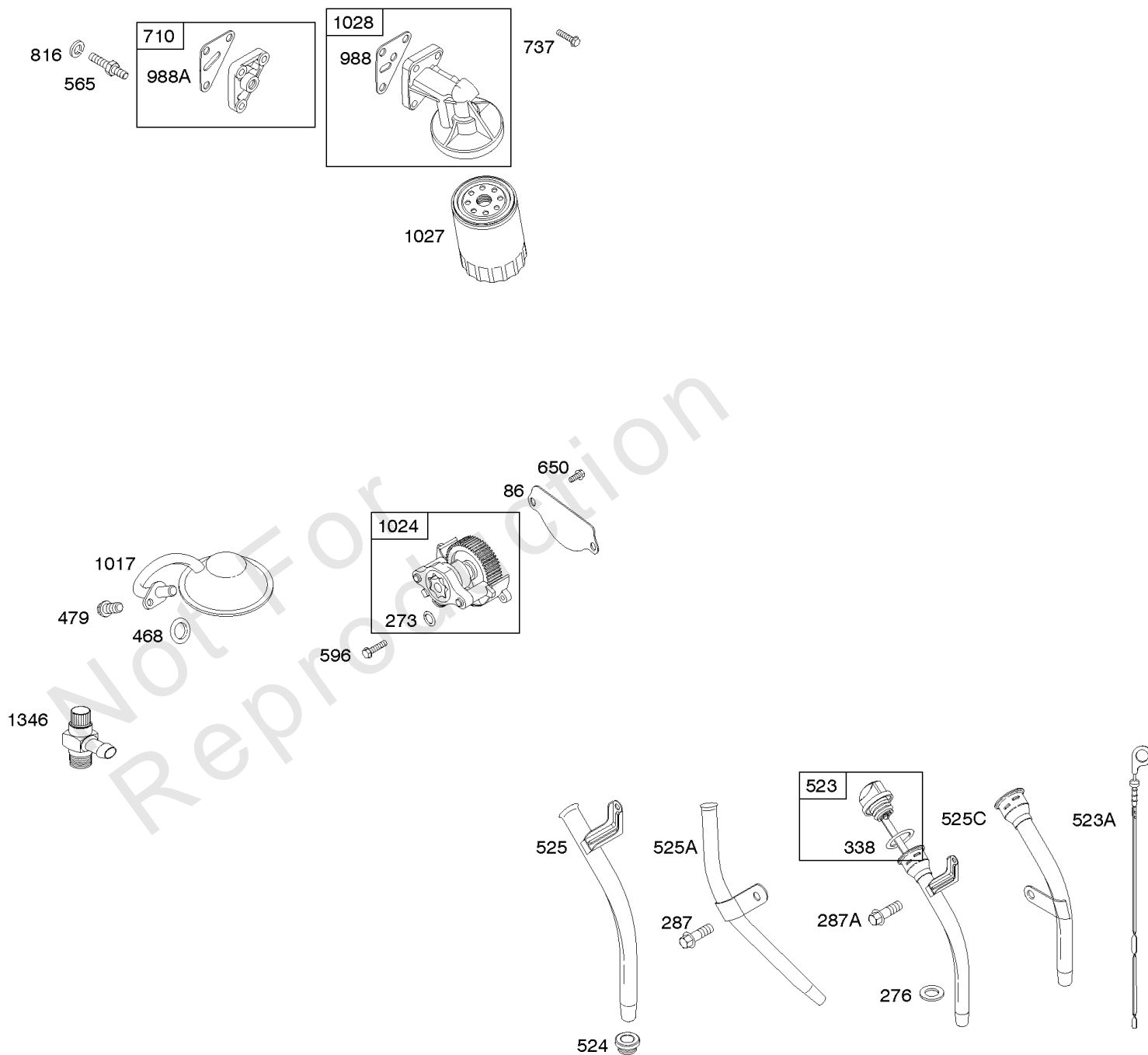
9 QUART



Fuel Supply

REF NO	PART NO	QTY	DESCRIPTION
958	698182		VALVE, Fuel Shut Off -(Plastic)
958B	692008		VALVE, Fuel Shut Off -(Plastic)
968E	691334		COVER, Air Cleaner
972	492369		TANK, Fuel -(Plastic) (7 Quart)(Plastic)
972A	845137		TANK-FUEL -(Plastic) (9 Quart)
1054	280275		TIE, Cable
1054A	710349		TIE, Cable
1135	806497		WASHER -(Crankcase Cover/Sump)

Not For Reproduction



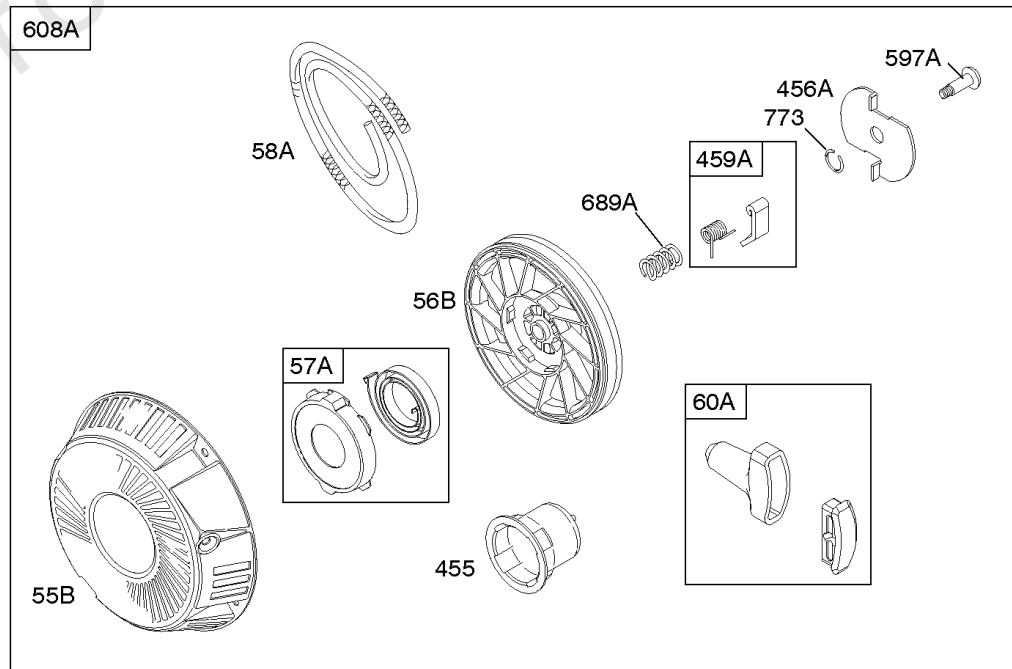
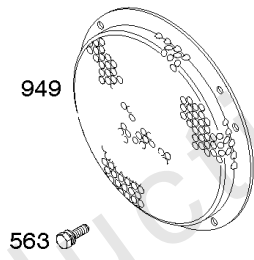
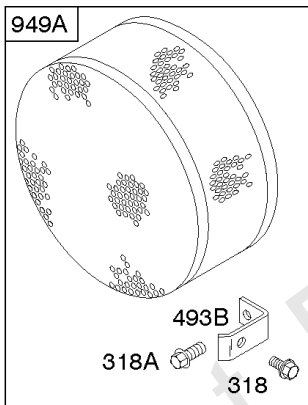
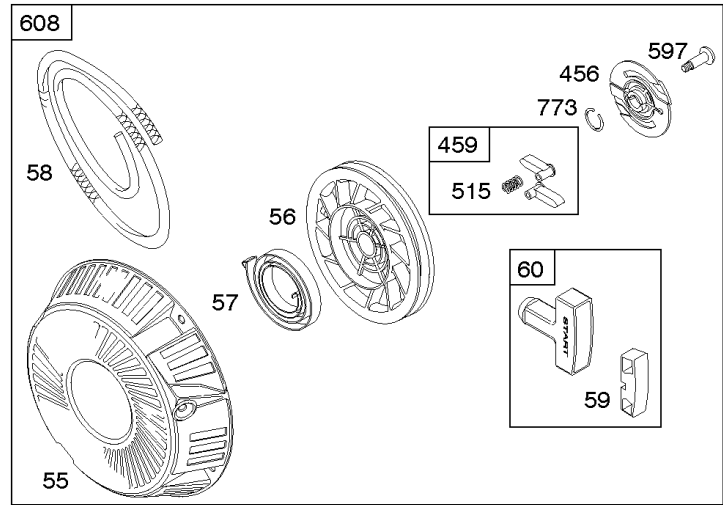
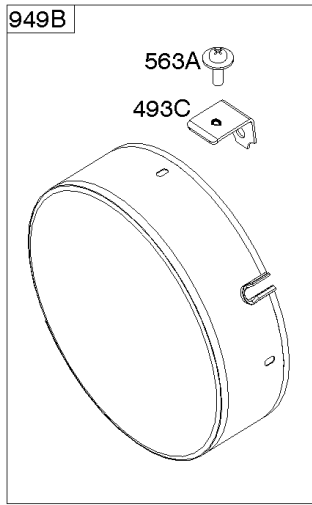
Lubrication

REF NO	PART NO	QTY	DESCRIPTION
86	690745		COVER, Gear
273	690681		SEAL, O-Ring -(Oil Pump)
276	690704		WASHER
287	806660		SCREW -(Dipstick Tube) (Special)
287A	692062		SCREW -(Dipstick Tube)
338	690611		SEAL, O-Ring -(Dipstick Tube)
468	690690		SEAL, O-Ring -(Oil Pump Screen)
479	807084		SCREW -(Oil Pump Screen)
523	692100		DIPSTICK -(Standard) -Used Before Code Date 98060100
523A	693175		DIPSTICK -(Special) -Used After Code Date 98053100
524	693172		SEAL, O-Ring -(Dipstick Tube) -Used After Code Date 98053100
524	281370S		SEAL-DIPSTICK TUBE -(Dipstick Tube) -Used Before Code Date 98060100
525A	693173		TUBE, Dipstick -Used After Code Date 98053100
525C	690907		TUBE, Dipstick -Used Before Code Date 98060100
565	690682		STUD -(Oil Filter Adapter)
596	691492		SCREW -(Oil Pump)
650	841233		SCREW -(Oil Deflector)
710	807689		COVER, Oil Filter
737	690679		SCREW -(Oil Filter Adapter)
816	690706		WASHER -(Oil Filter Adapter)
988	692063		GASKET, Oil Adapter
988A	690687		GASKET, Oil Adapter
1017	690900		SCREEN, Oil Pump
1024	-----		Pump-Oil -(Oil Pump is No Longer Available) (See Reference 18 for correct replacement Crankcase Cover) -Used Before Code Date 07101500
1024	843825		PUMP, Oil -Used After Code Date 07101400
1027	491056		FILTER-OIL -(3 1/4)
1027	842921		FILTER, Oil
1028	808235		ADAPTER, Oil Filter

Replacement Engine - US & Canada

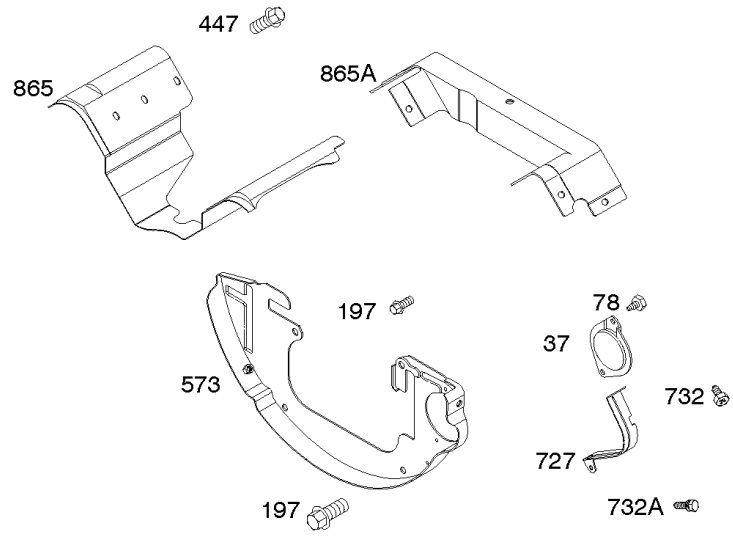
REF NO	PART NO	QTY	DESCRIPTION
	3054473079	1	Replacement Engine
	494054	1	Replacement Short Block
	-----		Top No-Load Speed: 3600 -Trim: ALL
	-----		Service Note: Transfer Blower Housing, Flywheel and Booster Fan Group to replacement engine. Transfer Electric Starter if original Flywheel is equipped with an aluminum ring gear .
	-----		Service Note: Transfer Exhaust Ducting and/or Muffler Assembly from original engine to replacement engine.
	-----		Service Note: For all Go-Karts use only a Model 136200 series engine as a replacement, regardless of the original Model.
	-----		Service Note: Transfer the Muffler and/or Spark Arrester Assembly from the original engine if suitable for additional service, or add new parts as required. In some cases it maybe necessary to transfer the Oil Filter Adapter to the replacement engine.

Not For Reproduction

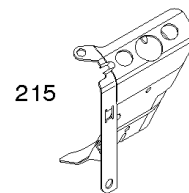
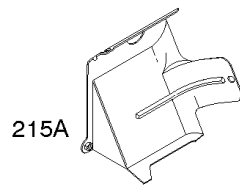
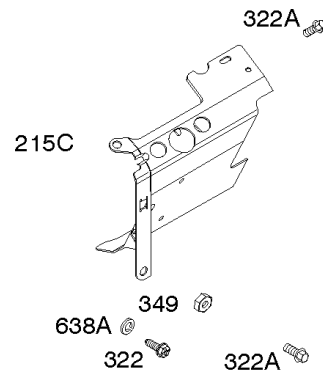
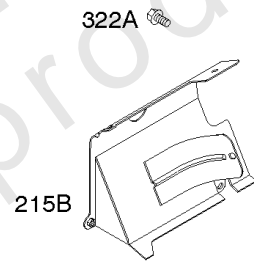


Rewind Starter

REF NO	PART NO	QTY	DESCRIPTION
55	691568		HOUSING, Rewind Starter
55B	492193		HOUSING, Rewind Starter
56	692085		PULLEY, Rope Starter
57	692086		SPRING, Rewind Starter
57A	492194		SPRING, Rewind Starter
58	66574		ROPE, Starter -(Cut To Required Length)
58A	695002		ROPE, Starter -(Cut To Required Length)
59	805957		INSERT, Grip
60	808167		GRIP, Starter Rope
60A	490652		GRIP-STARTER ROPE
65	691982		SCREW -(Rewind Starter)
65A	841233		SCREW -(Rewind Starter) -Used After Code Date 03120900
318	806870		SCREW -(Mounting Bracket)
318A	691982		SCREW -(Mounting Bracket)
455	691517		CUP, Flywheel -Used After Code Date 93072500
455	805153		CUP, Flywheel -Used Before Code Date 93072600
456	691529		PLATE, Pawl Friction
456A	224228		PLATE, Pawl Friction
459	808166		PAWL, Ratchet
459A	492431		PAWL, Ratchet
493B	691503		BRACKET, Mounting
493C	845729		BRACKET, Mounting
515	691528		SPRING, Pawl
563	691982		SCREW -(Debris Screen Guard)
563A	841735		SCREW -(Debris Screen Guard)
597	690876		SCREW -(Pawl Friction Plate)
597A	94463		SCREW -(Pawl Friction Plate)
608	692102		STARTER, Rewind -Used After Code Date 93072500
608A	808152		STARTER, Rewind -Used Before Code Date 93072600
689A	262564		SPRING, Friction
773	690875		RETAINER
949	690475		GUARD, Debris Screen
949A	808226		GUARD, Debris Screen
949B	845728		GUARD, Debris Screen



Not For
Reproduction



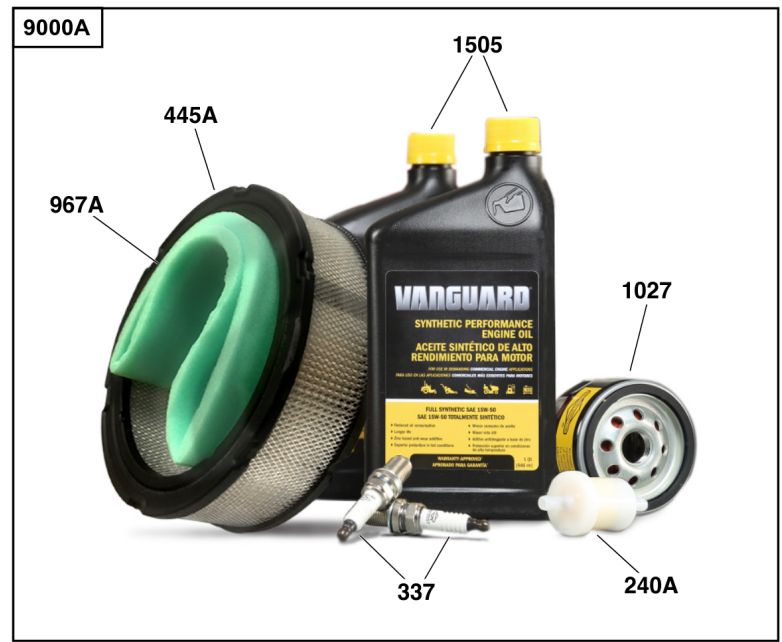
Shrouds, Air Guides

REF NO	PART NO	QTY	DESCRIPTION
37	841309		GUARD, Flywheel -(Black)
78	690688		SCREW -(Flywheel Guard)
197	807163		SCREW -(Back Plate)
215	807656		COVER, Cylinder Head -(Cylinder 1)(Black) -Used Before Code Date 93072300
215	841183		GUIDE, Air -(Cylinder 1)(Black) -Used After Code Date 93072200
215C	841317		GUIDE, Air -(Cylinder 1)
322	841233		SCREW -(Cylinder Head Cover)
322A	692067		SCREW -(Cylinder Head Cover)
349	690238		NUT -(Cylinder Head Cover)
447	841233		SCREW -(Air Guide Cover)
573	841310		PLATE, Back -(Black)
638A	690706		WASHER -(Cylinder Head Cover) (Head Cover)(Spring)
727	841313		COVER, Starter Drive -(Black)
732	690688		SCREW -(Starter Drive Cover)
732A	841233		SCREW -(Starter Drive Cover) -Used After Code Date 03120900
865A	690908		COVER, Air Guide -(Black)



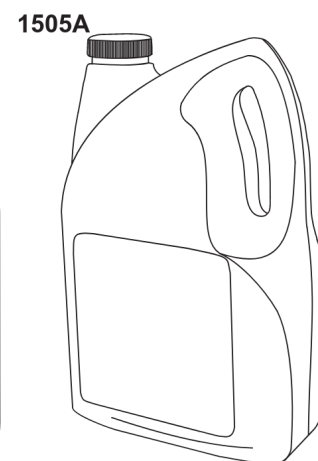
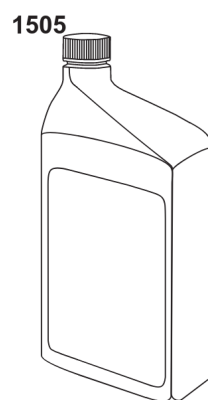
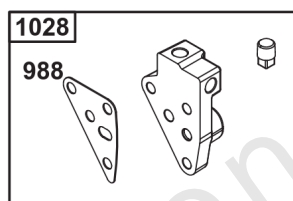
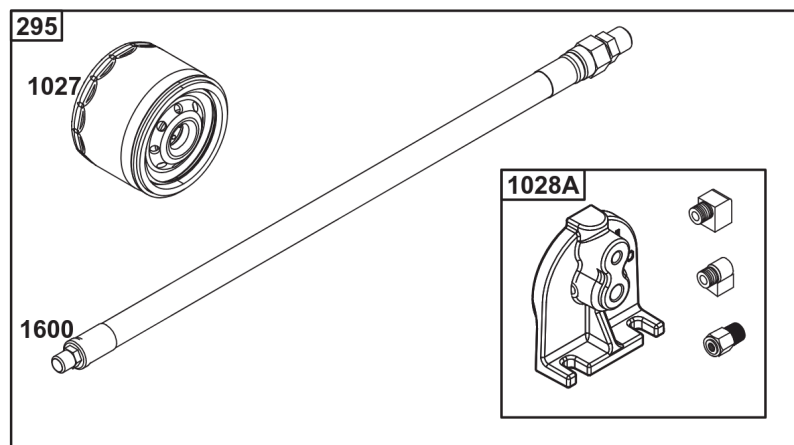
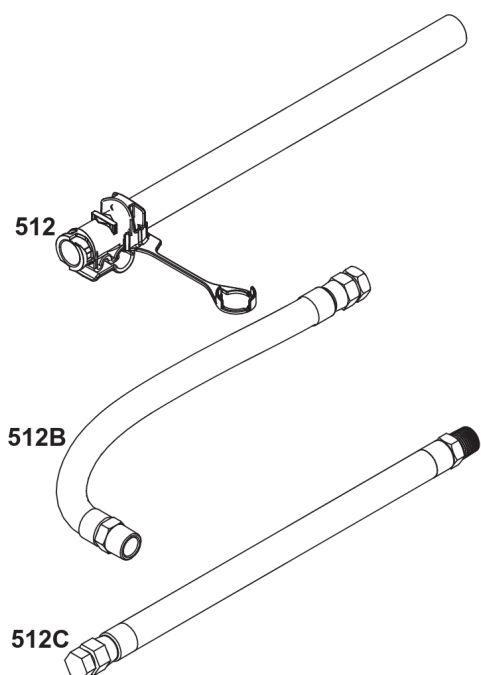
Model 29, 30, 35 & 38 Engine Accessories Catalog

Not For
Reproduction



Maintenance Kits

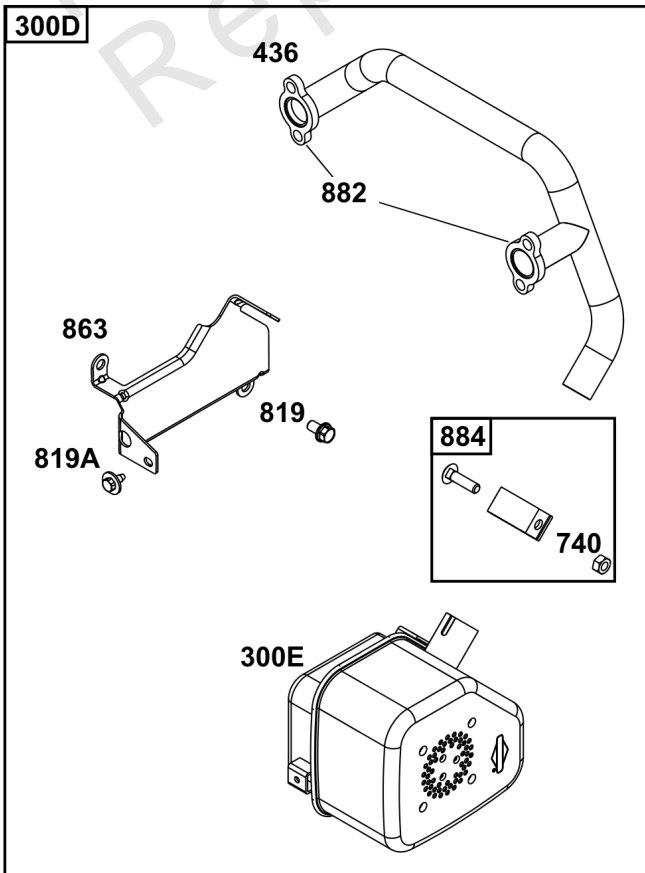
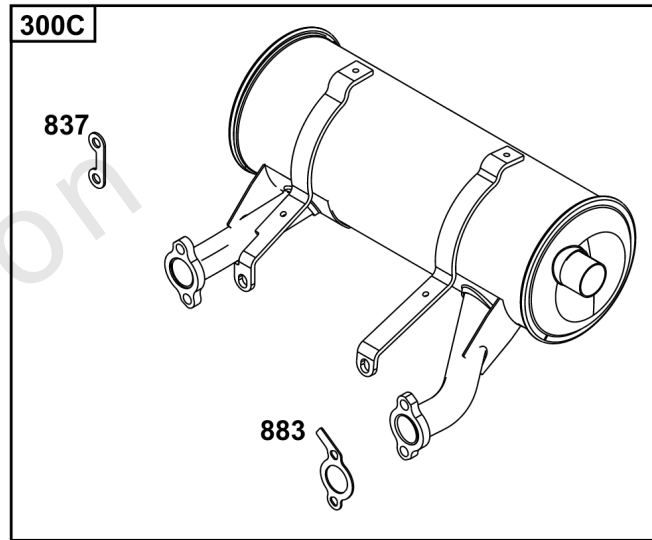
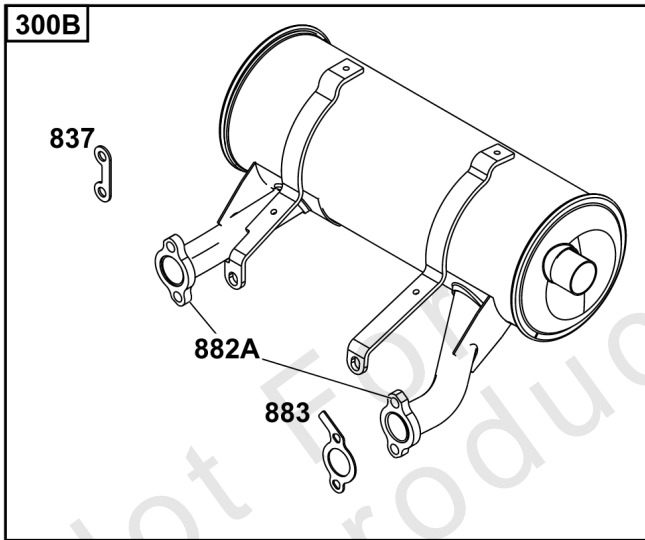
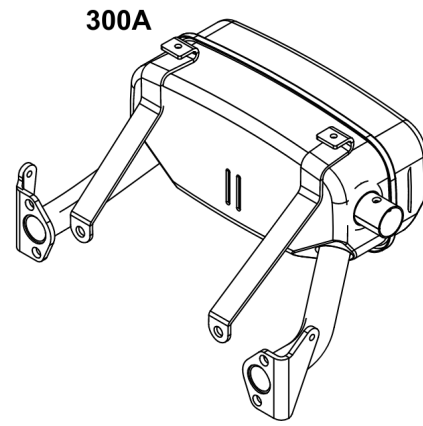
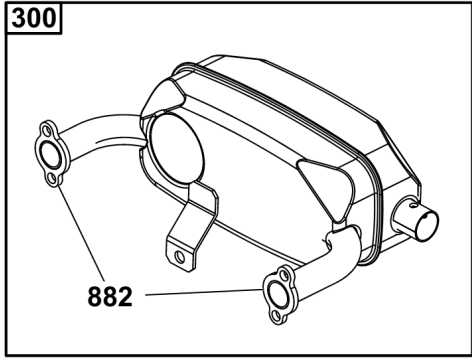
REF NO	PART NO	QTY	DESCRIPTION
9000	84004936		KIT, Maintenance -(Non-Oil Guard™ Engines) (20 - 23 HP)
9000A	84004937		KIT, Maintenance -(Non-Oil Guard™ Engines) (12.5 - 18 HP)
9000B	84002315		KIT, Maintenance -(Non-Oil Guard™ Engines)
240	845125	1	FILTER, Fuel
240A	84001895	1	FILTER, Fuel
337	491055S	2	PLUG, Spark
337	84007216	2	PLUG, SPARK -(China Only)
445	692519	1	FILTER, A/C Cartridge -"Professional / PXi" & "Commercial / CXi".
445A	394018S	1	FILTER, A/C Cartridge -"Professional / PXi" & "Commercial / CXi".
445B	841497	1	FILTER, A/C Cartridge -"Professional / PXi" & "Commercial / CXi".
967	692520	1	FILTER, Pre Cleaner
967A	272490S	1	FILTER, Pre Cleaner
1027	842921	1	FILTER, Oil -(Vanguard®)
1505	100169		OIL-1QT VANGUARD (CASE) -(1 qt. Bottle)



Not For
Reproduction

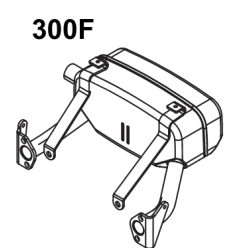
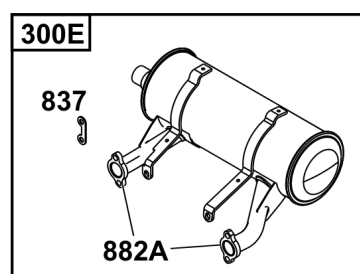
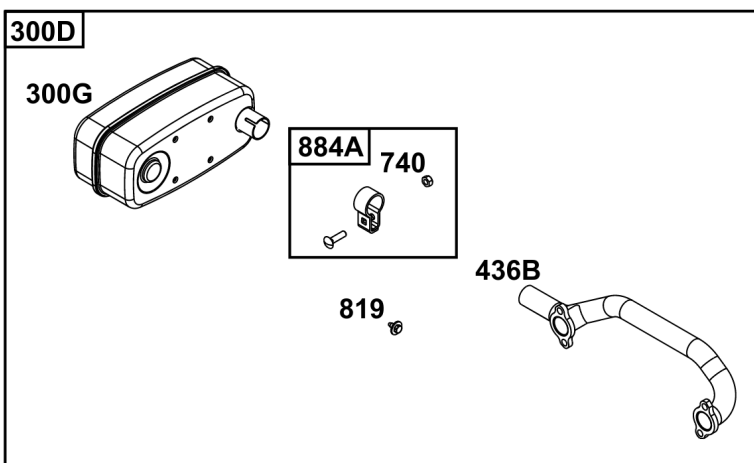
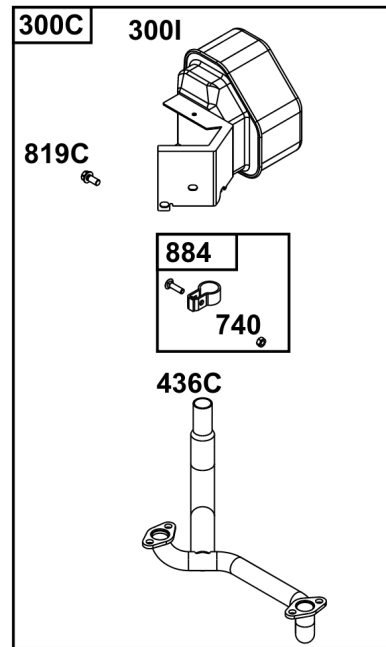
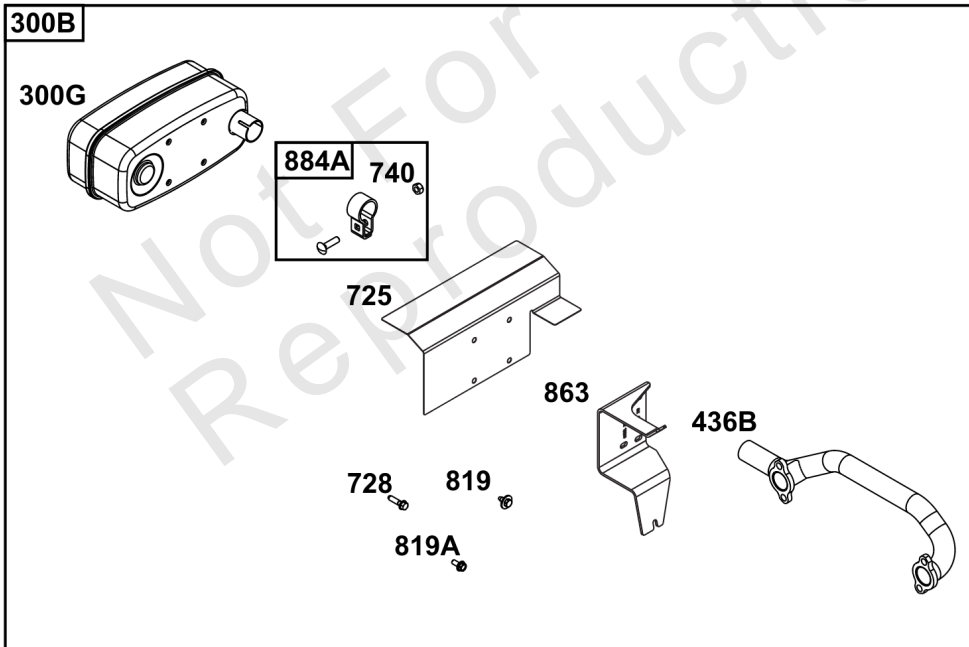
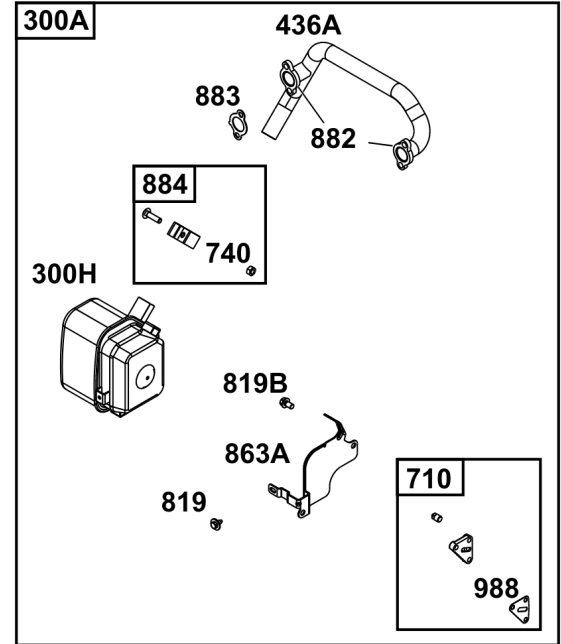
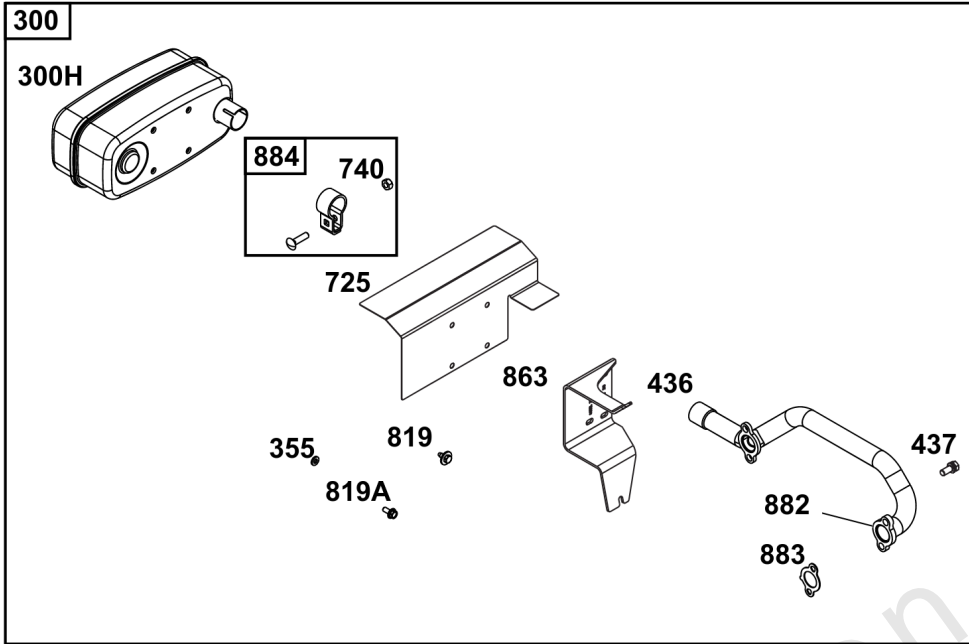
Lubrication

REF NO	PART NO	QTY	DESCRIPTION
186	796532	1	CONNECTOR, Hose -(Threaded Engine Block Connector for EZ-Oil Drain Hose)(Order hose separate)
239	690233	1	SWITCH, Oil Pressure -(2-4 PSI Normally-Closed Switch)
239A	491657S	1	SWITCH, Oil Pressure -(3-5 PSI Normally-Closed Switch)
239B	841281	1	SWITCH, Oil Pressure -(7-10 PSI Normally-Closed Switch)
239C	694115	1	SWITCH, Oil Pressure -(9-13 PSI Normally-Closed Switch)
239D	697049	1	SWITCH, Oil Pressure -(3-6 PSI Normally-Open Switch)
295	492061	1	ADAPTER, Remote Oil Filter -(Remote oil filter head with 18" (48 cm) hoses)
295	492062	1	ADAPTER, Remote Oil Filter -(Remote oil filter head with 30" (76 cm) hoses)
512	594200	1	HOSE, Oil Drain -(EZ-Oil Drain Hose, 10.5")(Order threaded engine block connector separate)
512	593635	1	HOSE, Oil Drain -(EZ-Oil Drain Hose, 13.75")(Order threaded engine block connector separate)
512B	1723165SM	1	HOSE, Oil Drain, 10-1/2" Long, 3/8-18 Fittings -(10.5")
512C	5048681SM	1	HOSE, OIL DRAIN -(12.5")
517	593633	1	RETAINER, Oil Drain
988	692063	1	GASKET, Oil Adapter
1027	492932S	1	FILTER, Oil
1028	492687	1	ADAPTER, Oil Filter -(Adapter Kit for mounting remote oil filter)
1028A	495244	1	ADAPTER-OIL FILTER -(Remote oil filter mounting head with fittings)
1346	844802	1	VALVE, Oil Drain Shut Off
1346A	492031	1	VALVE, Oil Drain Shut Off
1346B	5401WEB	1	VALVE, Oil Drain Shut Off -(1/4 Turn Oil Drain Valve with Hose)
1505	100169		OIL-1QT VANGUARD (CASE) -(1 qt. Bottle)
1505A	100170		OIL-5QT VANGUARD (CASE) -(5 qt. Bottle)
1600	494724	2	HOSE, Remote Oil Filter -(Hoses only (2) 18" (48 cm))
1600	494725	2	HOSE, Remote Oil Filter -(Hoses only (2) 30" (76 cm))



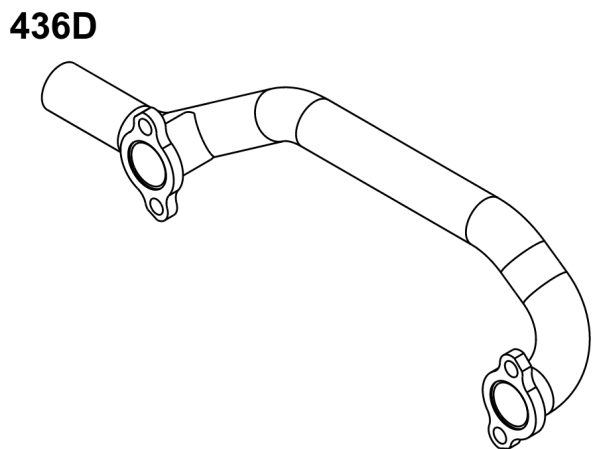
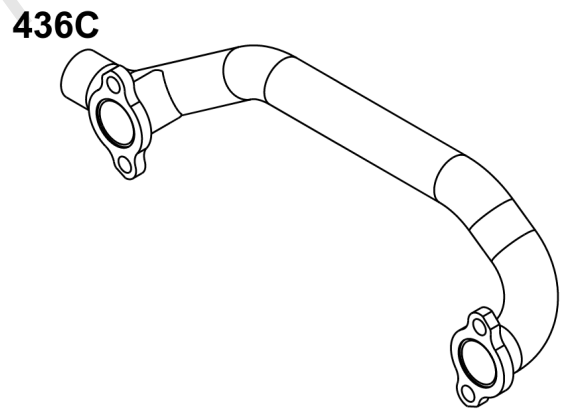
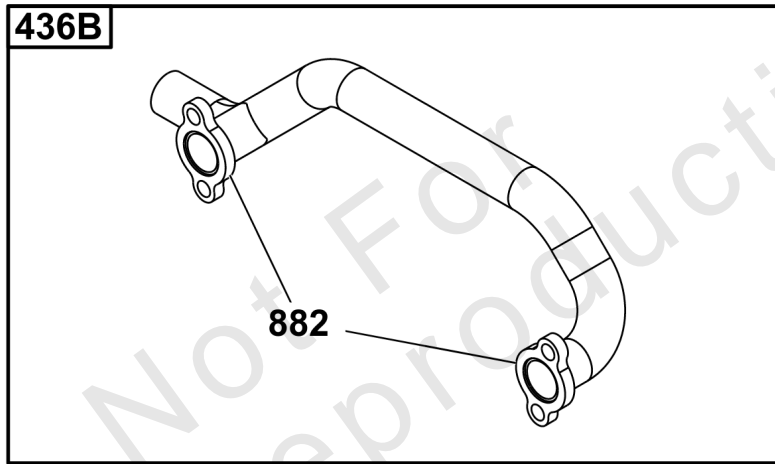
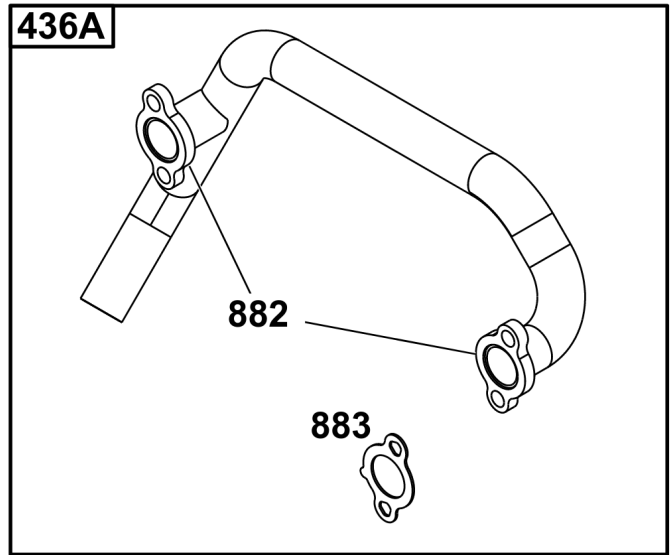
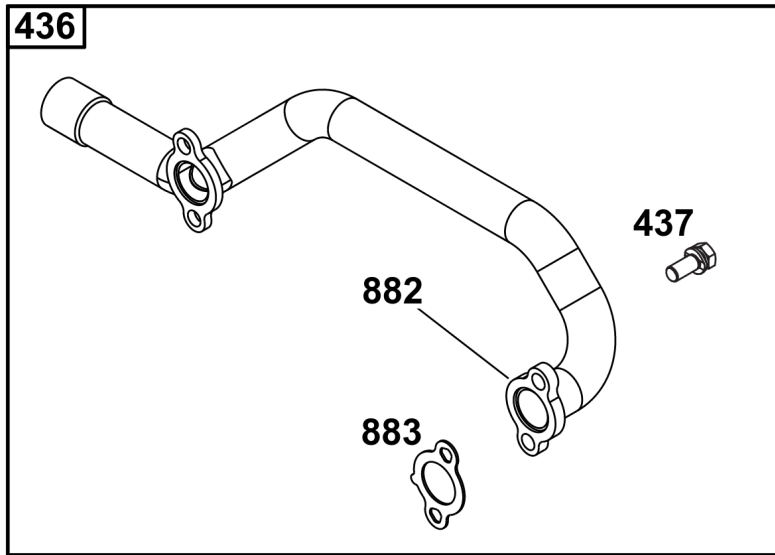
Starter Motor Side Outlet Mufflers

REF NO	PART NO	QTY	DESCRIPTION
300	690931	1	MUFFLER -(Super Lo-Tone) (Horizontal: 3054, 3564)
300A	690906	1	MUFFLER -(Super Lo-Tone) (Horizontal: 3054, 3564)
300B	808705	1	MUFFLER -(5" Round) (Horizontal: 3854, 3864)
300C	845873	1	MUFFLER -(5" Round, Stainless Steel) (Horizontal: 3854, 3864)
300D	995005	1	MUFFLER ASSY -(Lo-Tone) (Horizontal: 3054, 3564)
300E	692099	1	MUFFLER -(Lo Mount)
436	691499	1	MANIFOLD, Exhaust -(Cylinder 1) (Side Outlet)
740	793859	1	NUT
819	692056	2	SCREW -(Muffler Bracket) (M8x1.25)
819A	691514	2	SCREW -(Muffler Bracket) (M6 X 1.0)
837	808085	2	SPACER, Muffler -(Includes 2)
863	690756	1	BRACKET, Muffler -(Cylinder 1) (Side Outlet)
882	692074	2	FLANGE, Exhaust
882A	806965	2	FLANGE, Exhaust
883	806425	2	GASKET, Exhaust
884	690898	1	CLAMP, Muffler



Oil Filter Side Outlet Mufflers

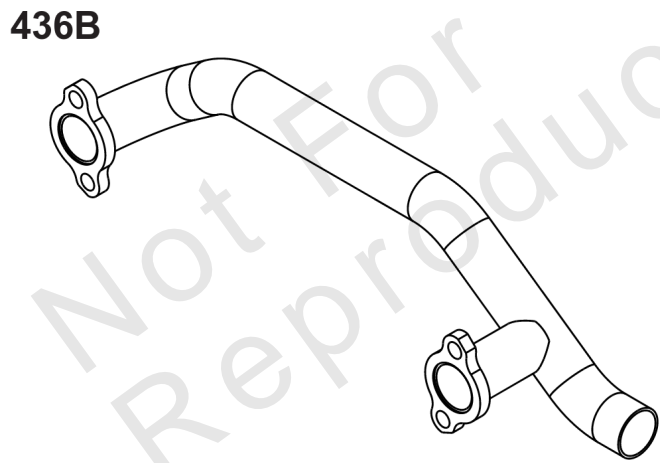
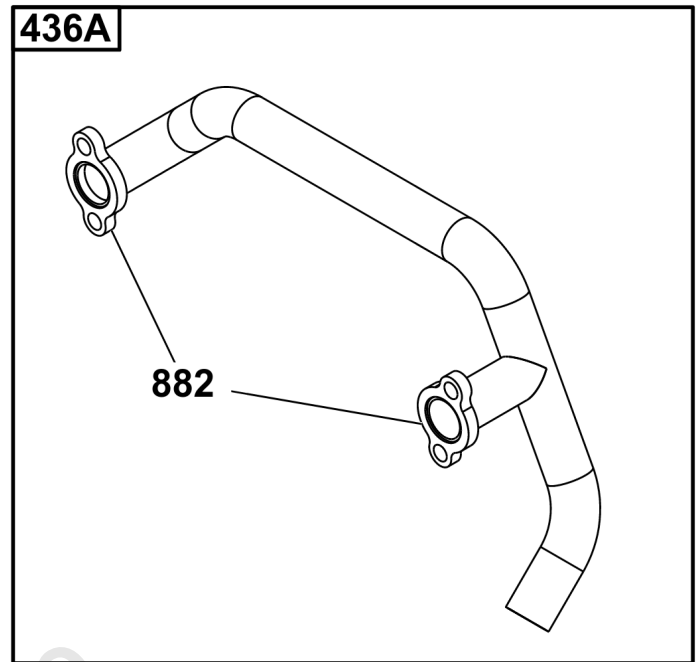
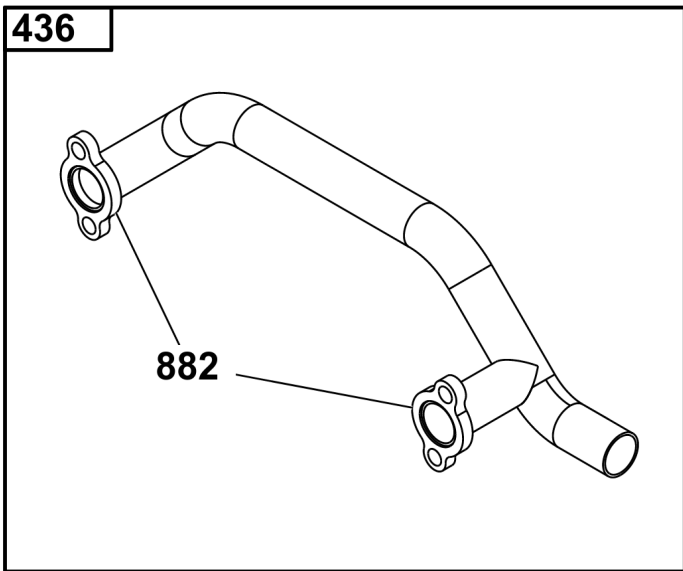
REF NO	PART NO	QTY	DESCRIPTION
300	995002	1	HIGH MNT SPR LO-TONE OIL FLTR SIDE -(Super Lo-Tone) (Horizontal: 3054, 3564) (Vertical: 3567)
300A	995000	1	OIL FILTER SIDE LO-MT -(Lo-Tone) (Horizontal: 3054, 3564) (Requires 808033 Oil Filter Adaptor)
300B	995004	1	HI MNT SPR LO-TONE OIL FLT SIDE -(Super Lo-Tone) (Horizontal: 3854, 3864) (Vertical: 3867)
300C	995009	1	COMMERCIAL MOWERS KIT -(For Wide Area Walker) (Vertical: 3567)
300D	995010	1	COMMERCIAL MOWERS KIT -(Vertical: 3867)
300E	808896	1	MUFFLER
300F	691562	1	MUFFLER -(Super Lo-Tone) (Horizontal: 3054, 3564)
300G	498984S	1	MUFFLER -(Super Lo Tone)
300H	692099	1	MUFFLER -(Lo Mount)
300I	807953	1	MUFFLER
355	842122	2	WASHER -(Muffler Bracket)
436	805609	1	MANIFOLD, Exhaust -(Cylinder 2) (Side Outlet)
436A	692061	1	MANIFOLD, Exhaust -(Cylinder 2) (Side Outlet)
436B	808916	1	MANIFOLD, Exhaust -(Cylinder 2) (Side Outlet)
436C	805778	1	MANIFOLD, Exhaust -(Wide Area Walker)
437	691902	4	SCREW -(Exhaust Manifold)
710	807689	1	COVER, Oil Filter
725	806102	1	SHIELD, Heat
728	690297	2	SCREW
740	793859	1	NUT
819	691514	2	SCREW -(Muffler Bracket) (M6 X 1.0)
819A	807084	2	SCREW -(Muffler Bracket)
819B	692056	2	SCREW -(Muffler Bracket) (M8x1.25)
819C	692062	2	SCREW -(Muffler Bracket)
837	808085	2	SPACER, Muffler -(Includes 2)
863	806759	1	BRACKET, Muffler
863A	691513	1	BRACKET, Muffler
882	692074	2	FLANGE, Exhaust -(3054 & 3564)
882A	806965	2	FLANGE, Exhaust
883	691613	2	GASKET, Exhaust
884	690898	1	CLAMP, Muffler
884A	691956	1	CLAMP, Muffler
988	690687	1	GASKET, Oil Adapter



Oil Filter Side Outlet Manifolds

REF NO	PART NO	QTY	DESCRIPTION
436	805609	1	MANIFOLD, Exhaust -(Vertical: 3567)
436A	692061	1	MANIFOLD, Exhaust -(Horizontal: 3054, 3564)
436B	691501	1	MANIFOLD, Exhaust -(Horizontal: 3054, 3564)
436C	808908	1	MANIFOLD, Exhaust -(Horizontal: 3854, 3864)
436D	808916	1	MANIFOLD, Exhaust -(Horizontal: 3854, 3864) (Vertical: 3867)
437	691902	4	SCREW -(Exhaust Manifold)
882	692074	2	FLANGE, Exhaust
883	691613	2	GASKET, Exhaust

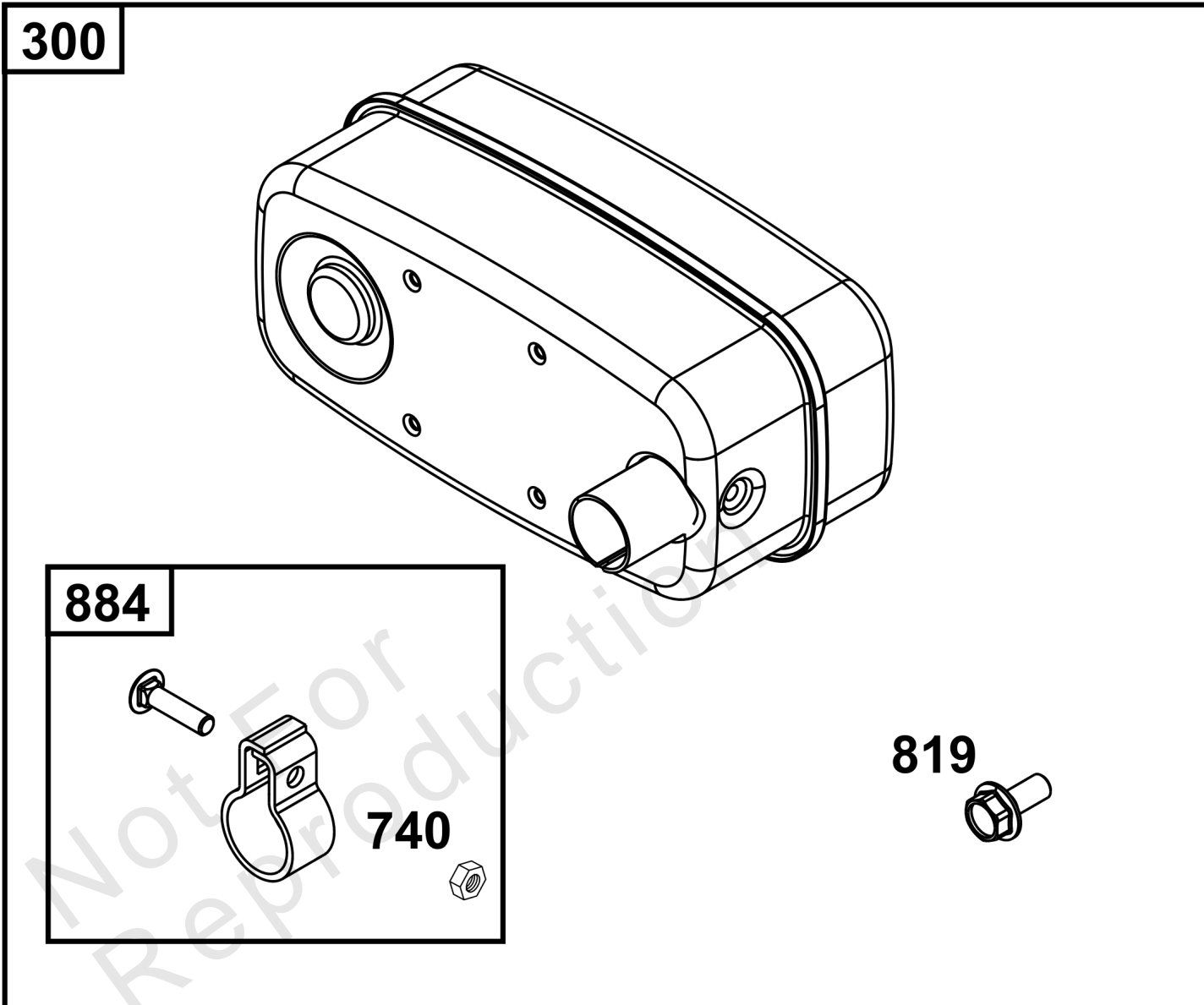
Not For Reproduction



Starter Motor Side Outlet Manifolds

REF NO	PART NO	QTY	DESCRIPTION
436	691502	1	MANIFOLD, Exhaust -(Horizontal: 3054, 3564)
436A	691499	1	MANIFOLD, Exhaust -(Horizontal: 3054, 3564)
436B	808909	1	MANIFOLD, Exhaust -(Horizontal: 3854, 3864) (Vertical: 3867)
882	692074	2	FLANGE, Exhaust

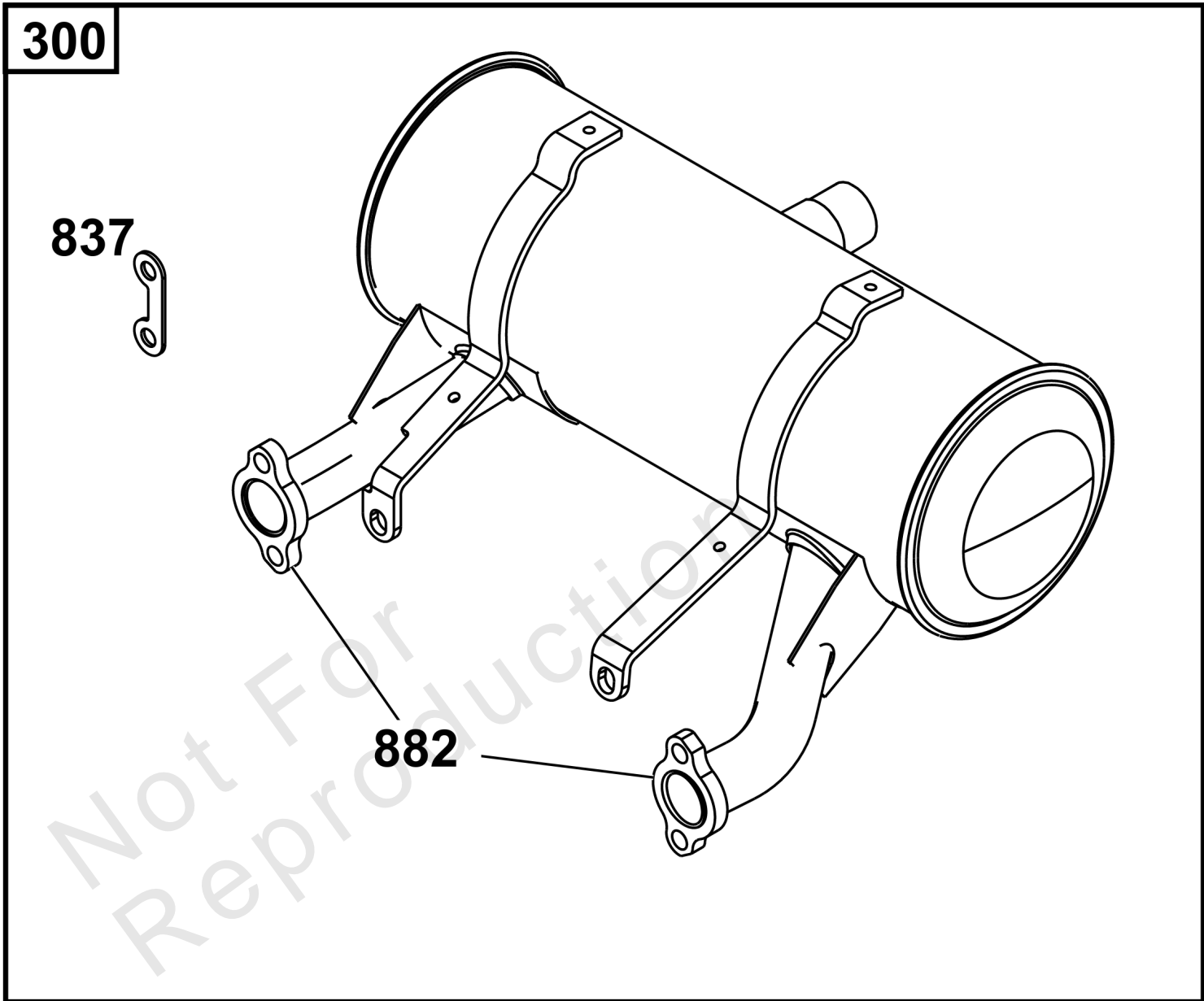
Not For Reproduction



Mufflers

REF NO	PART NO	QTY	DESCRIPTION
300	995018	1	MUFFLER -(Inlet I.D. 1.14" (28.9mm))
740	793859	1	NUT
819	807084	4	SCREW
884	691956	1	CLAMP, Muffler

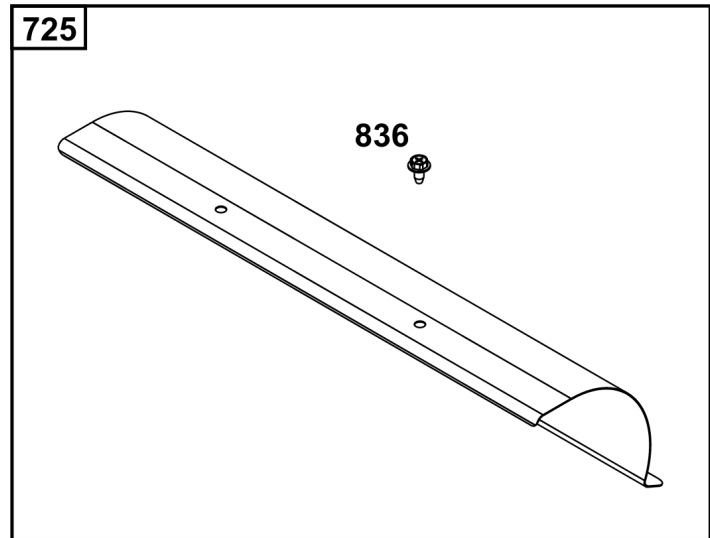
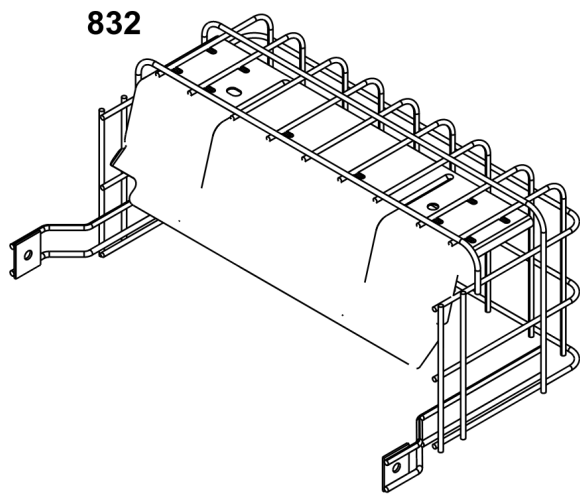
Not For Reproduction



Center Outlet Mufflers

REF NO	PART NO	QTY	DESCRIPTION
300	808911	1	MUFFLER -(5" Round) (Horizontal: 3854, 3864)
837	808085	2	SPACER, Muffler
882	806965	2	FLANGE, Exhaust

Not For Reproduction

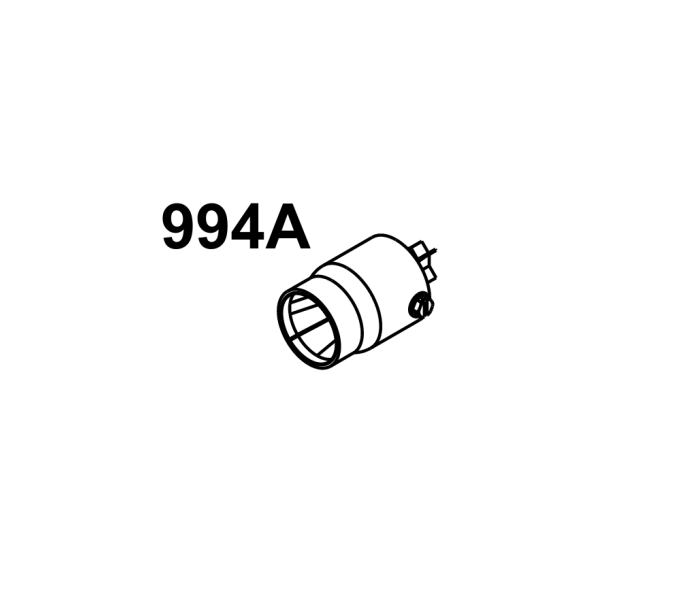
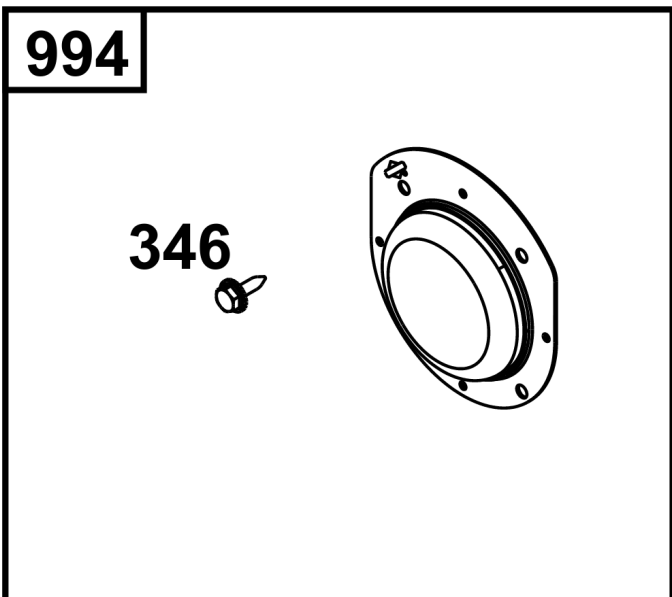
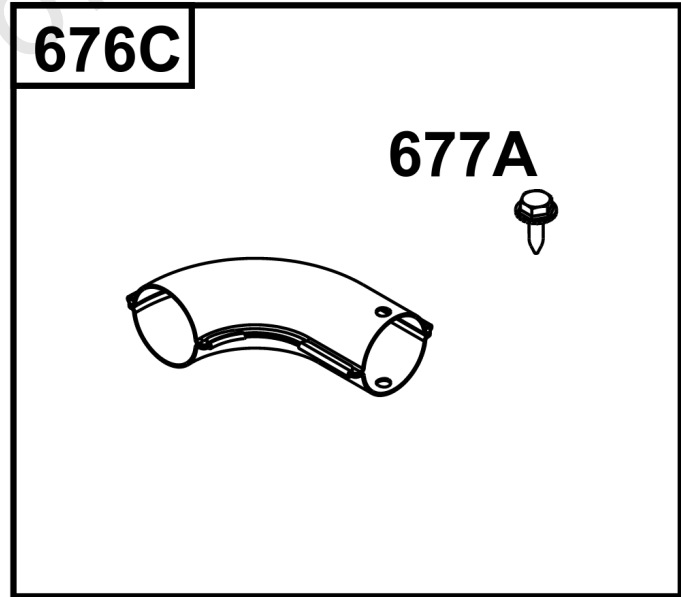
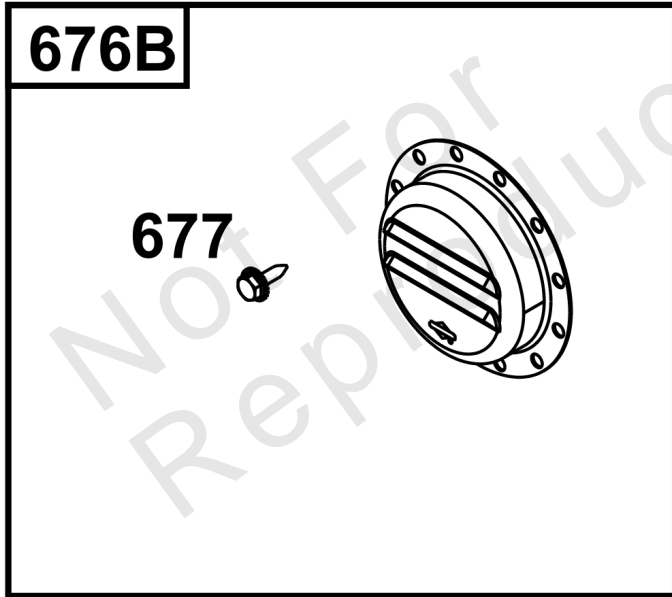
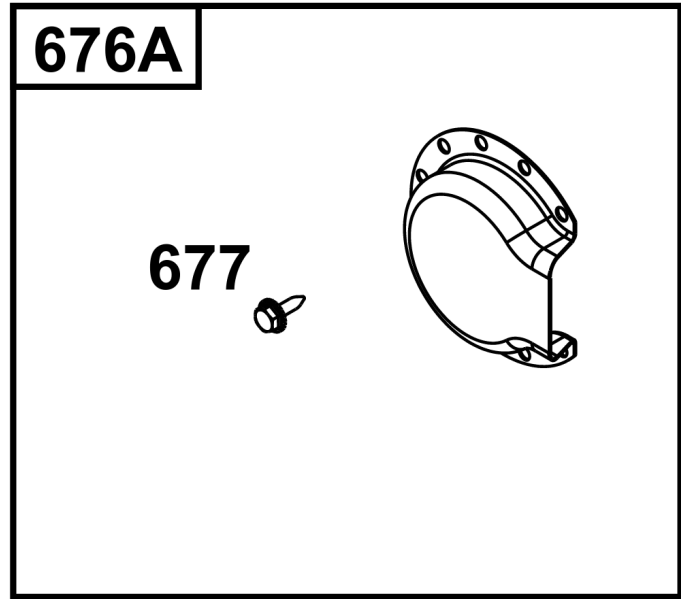
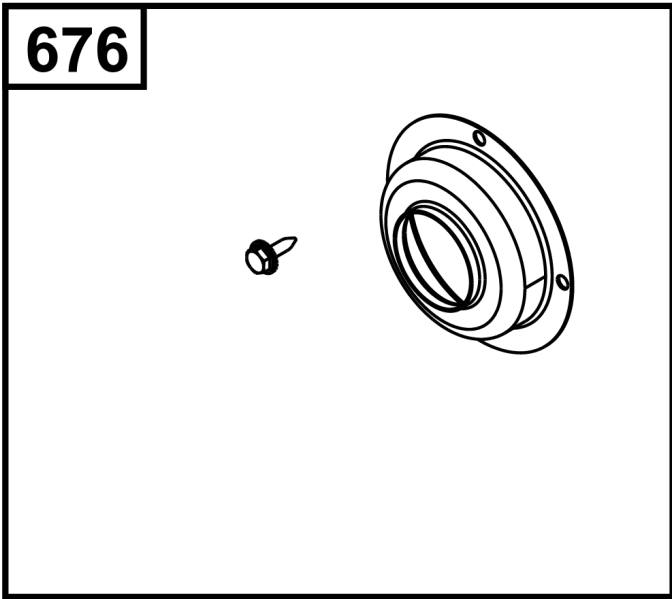


Not For
Reproduction

Muffler Guards and Shields

REF NO	PART NO	QTY	DESCRIPTION
725	846568	1	SHIELD, Heat -(For 5" Round Mufflers) (Horizontal: 3854, 3864)
832	691571	1	GUARD, Muffler -(Assembly for 690906 & 691562) (Horizontal: 3054, 3564)
836	692067	4	SCREW

Not For Reproduction



Spark Arrestors and Deflectors

REF NO	PART NO	QTY	DESCRIPTION
346	794845	4	SCREW -(Spark Arrestor)
676	396903	1	DEFLECTOR, Muffler -(Direct Outlet) (Face Mounting with 4 Screws)
676A	795036	1	DEFLECTOR, Muffler -(Deflector 90 Degree) (Face Mounting with 4 Screws)
676B	795038	1	DEFLECTOR, Muffler -(Deflector Louvered) (Face Mounting with 4 Screws)
676C	495518	1	DEFLECTOR, Muffler -(Elbow for Muffler Assembly) (For Exit Pipe O.D. of 1.10" (28mm))
677	794845	4	SCREW -(Muffler Deflector)
677A	810079	1	SCREW -(Muffler Deflector)
994	794945	1	ARRESTOR, Spark -(Spark Arrestor) (Face Mounting with 4 Screws)
994A	594562	1	ARRESTOR-SPARK -(Spark Arrestor) (For Exit Pipe O.D. of 1.10" (28mm))

Not For Reproduction

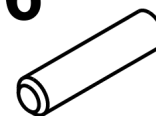
613



1177



296



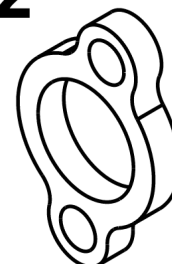
883



883A



882



882A

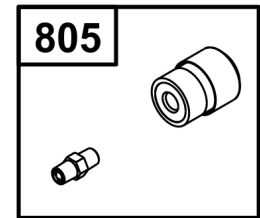
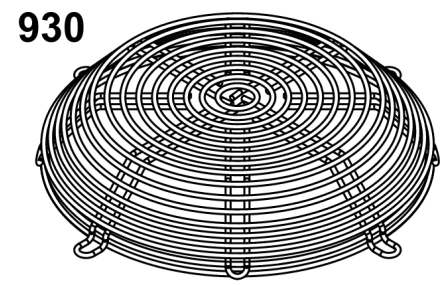
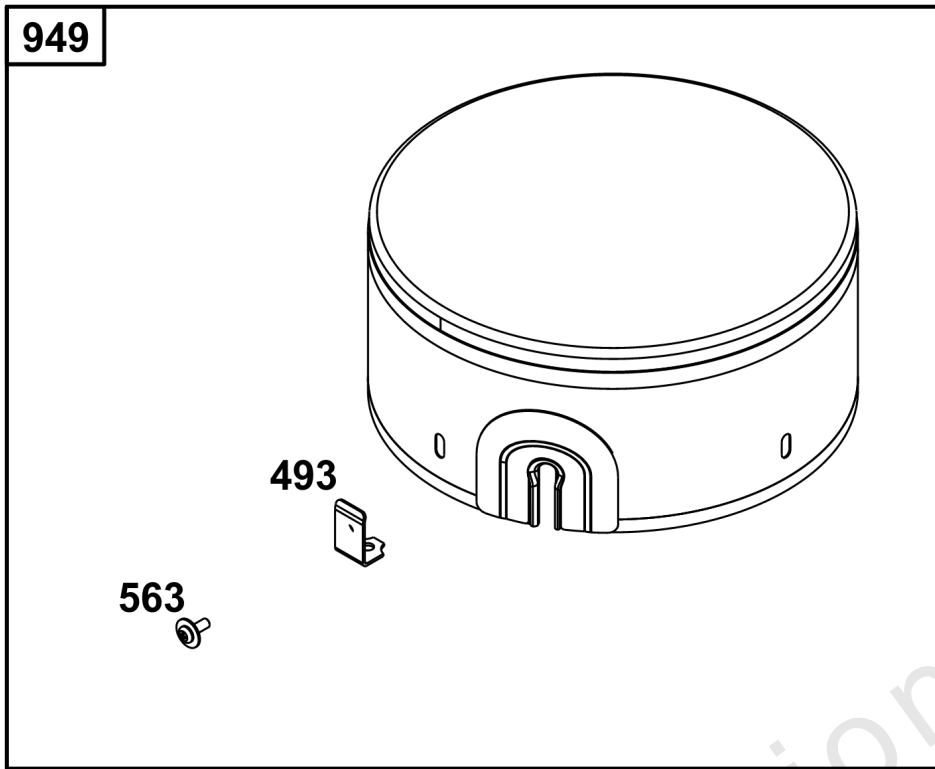


Not for
Reproduction

Muffler Mounting Hardware

REF NO	PART NO	QTY	DESCRIPTION
296	841185	4	STUD -(Mounting Mufflers)
613	691902	4	SCREW -(Mounting Mufflers)
882	692074	2	FLANGE, Exhaust -(3054 & 3564)
882A	806965	2	FLANGE, Exhaust -(3854 & 3864)
883	806425	2	GASKET, Exhaust -(Horizontal: 3854, 3864) (Vertical: 3567)
883A	691613	2	GASKET, Exhaust -(Horizontal: 3054, 3564) (Vertical: 3567)
1177	842067	4	NUT -(Required if Using 841185)

Not For Reproduction

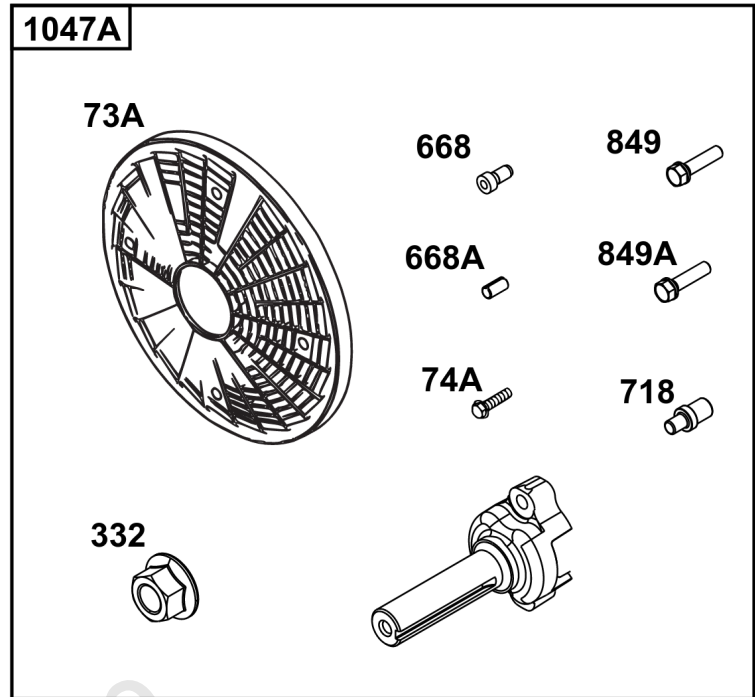
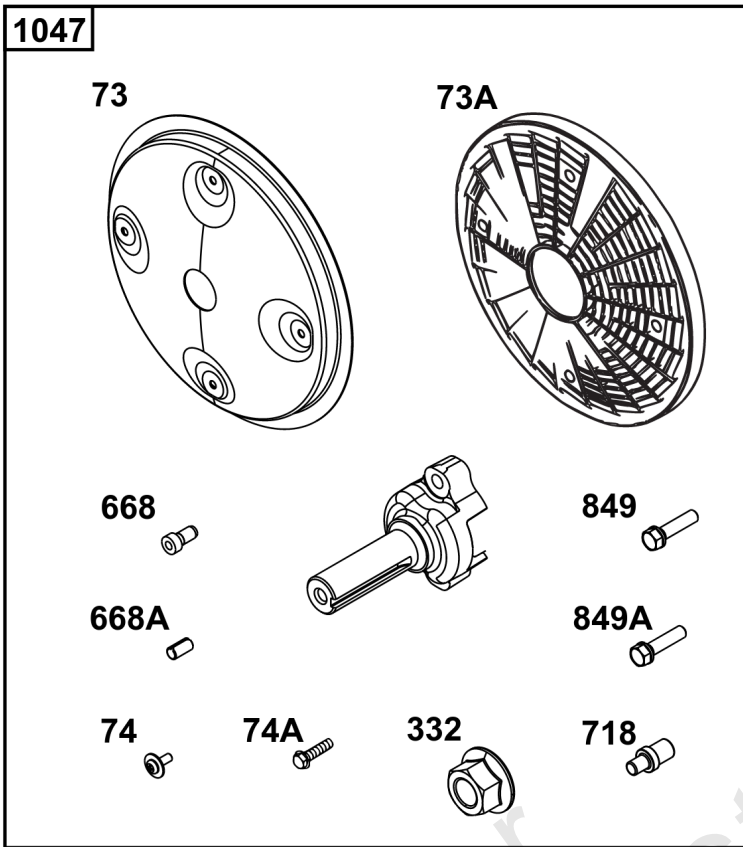


Not For
Reproduction

Flywheel and Air Intake Guards

REF NO	PART NO	QTY	DESCRIPTION
493	845729	4	BRACKET, Mounting
563	841441	4	SCREW
805	843024	1	MINDER, Filter -(For Engines with Cyclonic Air Filter)
930	846284	1	GUARD, Flywheel Fan
949	845728	1	GUARD, Debris Screen -(Vertical: 3867)

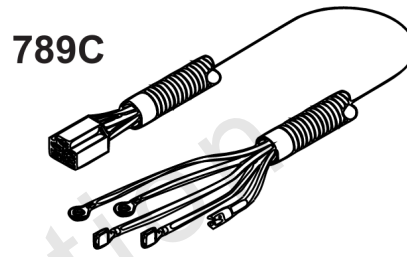
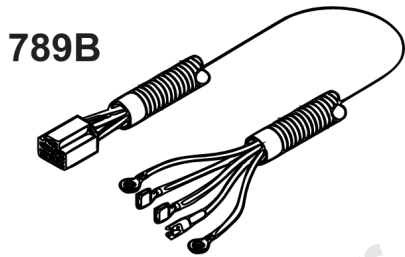
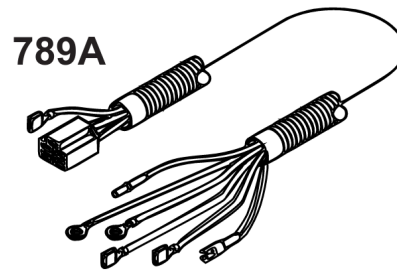
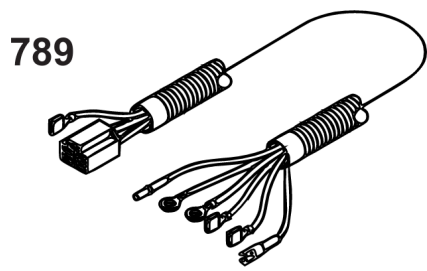
Not For Reproduction



Not For
Reproduction

PTO

REF NO	PART NO	QTY	DESCRIPTION
73	841582	1	SCREEN, Rotating
73A	494439	1	SCREEN, Rotating
74	841441	4	SCREW -(Rotating Screen)
74A	691647	4	SCREW -(Rotating Screen)
332	690887	1	NUT -(Flywheel)
668	691500	4	SPACER -(Rotating Screen)
668A	691215	4	SPACER -(Rotating Screen)
718	841581	1	PIN, Locating -(32MM)
849	691088	2	SCREW -(Stub Shaft)
849A	846236	2	SCREW -(Stub Shaft)
1047	841580	1	SHAFT, Stub -(1" Diameter) (4.75" Length)
1047A	842655	1	SHAFT, Stub -(1" Diameter) (5.43" Length)



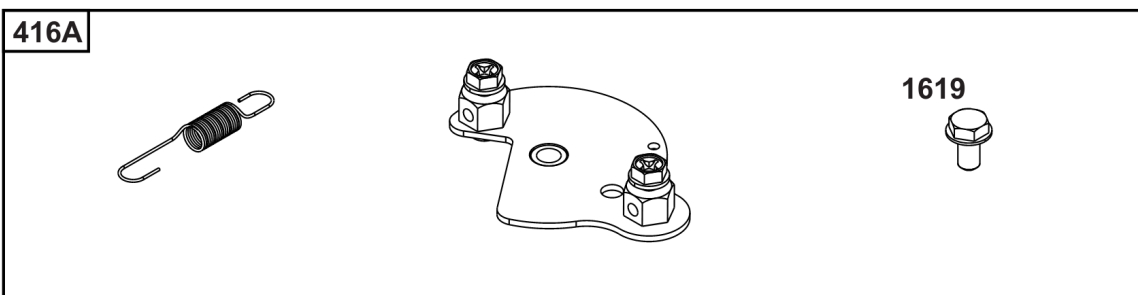
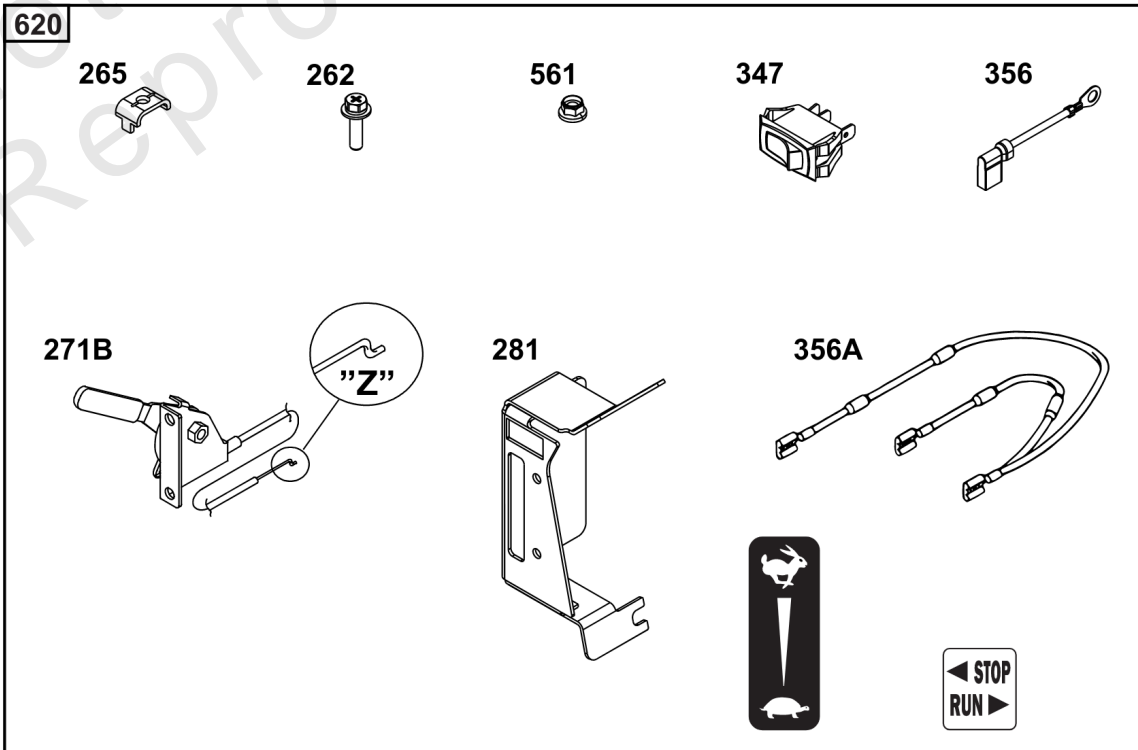
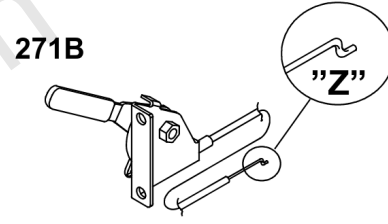
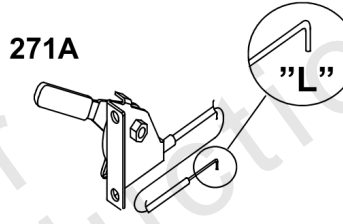
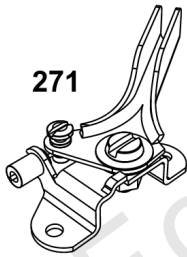
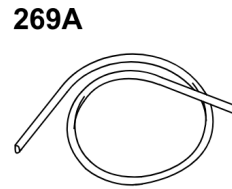
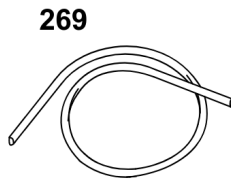
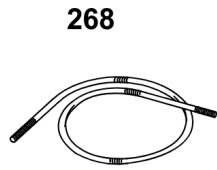
578

LOOSE CONNECTOR:
TE # 1-480704-0
MATE-N-LOK 6 POSITION HOUSING

Electrical

REF NO	PART NO	QTY	DESCRIPTION
415	1714480SM	1	PLUG -(Plug for Ignition Switch Removal)
578	84007350	1	WIRE ASSEMBLY -(Aids in Repowering Engine Application with 6-Pin Connector and Wires with Terminals to Create Custom Adapter Configurations)
789	691996	1	HARNESS, Wiring -(For 16 Amp Alternators)
789A	841318	1	HARNESS, Wiring -(For 16 Amp Alternators with Solenoid Shift Starter)
789B	847601	1	HARNESS, Wiring -(For 20 Amp Alternators)
789C	847602	1	HARNESS, Wiring -(For 20 Amp Alternators with Solenoid Shift Starter)

Not For Reproduction



Speed Control

REF NO	PART NO	QTY	DESCRIPTION
262	841552	1	SCREW
265	691024	1	CLAMP, Casing -(Casing Clamp for Hard Casing)
265A	690798	1	CLAMP, Casing -(Casing Clamp for Soft Casing)
267	792629	1	SCREW -(Screw for Casing Clamp)
268	691025	1	CASING, Control Wire -(Wire Casing 72")
269	26634	1	WIRE, Control -(Control Wire 78")
269A	93907	1	WIRE, Control -(Control Wire 100")
270	691027	1	NUT -(Nut for Wire Casing)
271	691028	1	LEVER, Control -(Speed Control Lever Assembly)
271A	692105	1	LEVER, Control -(Speed Control Lever Assembly) ('L' Shaped End)
271B	692541	1	LEVER, Control -(Speed Control Lever Assembly) ('Z' Shaped End)
281	690742	1	PANEL, Control
347	691995	1	SWITCH-ROCKER
356	690796	1	WIRE, Stop
356A	691999	1	WIRE ASSEMBLY
416	595196	1	BRACKET, Throttle Cable -(Casing Clamp for Snap-In Casing)
416A	84006945	1	BRACKET, Throttle Cable
561	806447	1	NUT
620	494052	1	BRACKET, Control -(Throttle Control for Vanguard V-Twin Horizontal Small Block)
1619	691693	1	SCREW

