

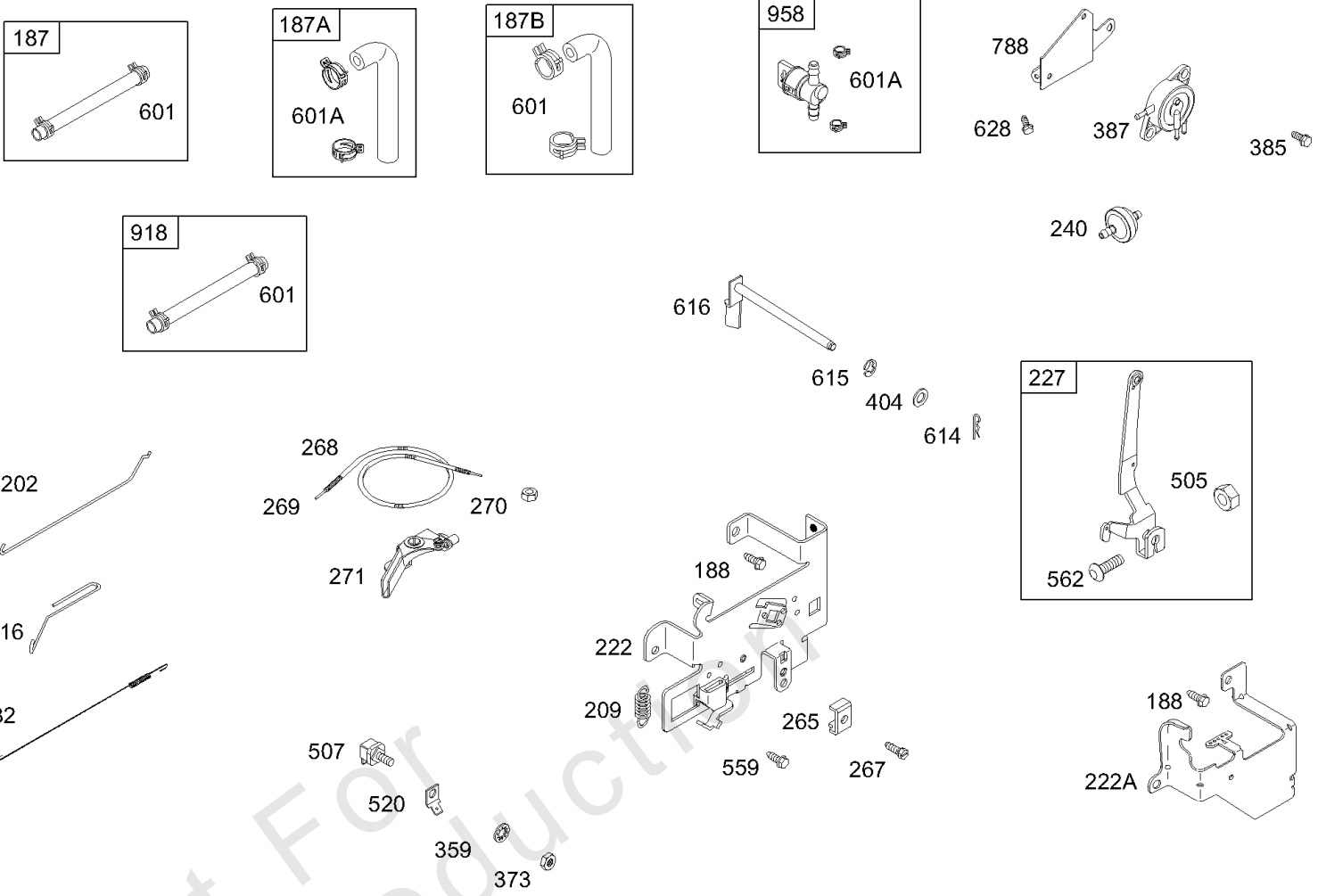


Parts Manual

Mfg. No: 287707-0153-01

| Model Components | Page |
|--|-------------|
| Blower Housing, Controls, Fuel Pump..... | 4 |
| Carburetor, Overhaul Kits..... | 8 |
| Cylinder, Piston/Ring, Crankshaft, Sump, Kits..... | 14 |
| Electric Starter, Alternator, Magneto..... | 20 |
| Head, Valve Gaskets, Oil Filter, Dipstick..... | 24 |
| Muffler, Air Cleaner..... | 28 |
| Replacement Engine - US & Canada..... | 30 |
| Rewind Starter/Fan, Flywheel..... | 31 |

Not For
Reproduction

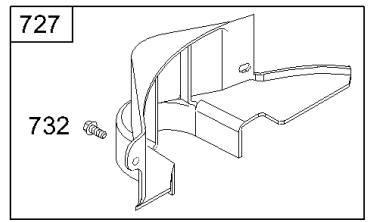
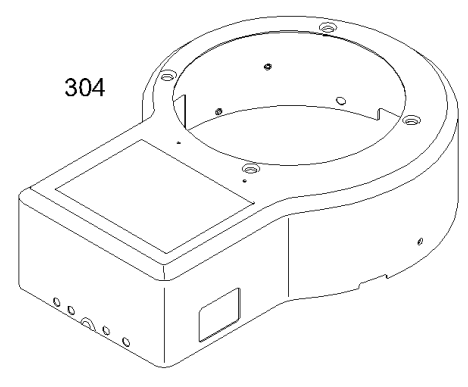
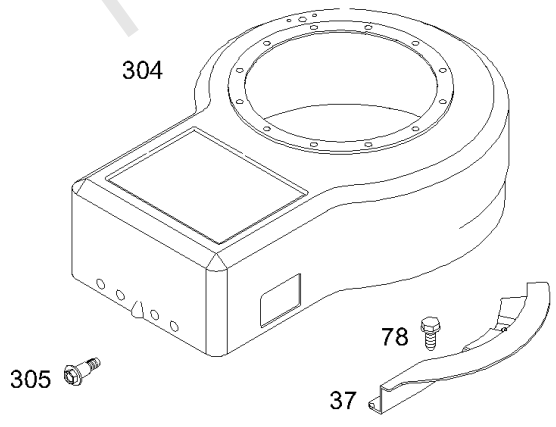


1036 EMISSION LABEL

1019 LABEL KIT

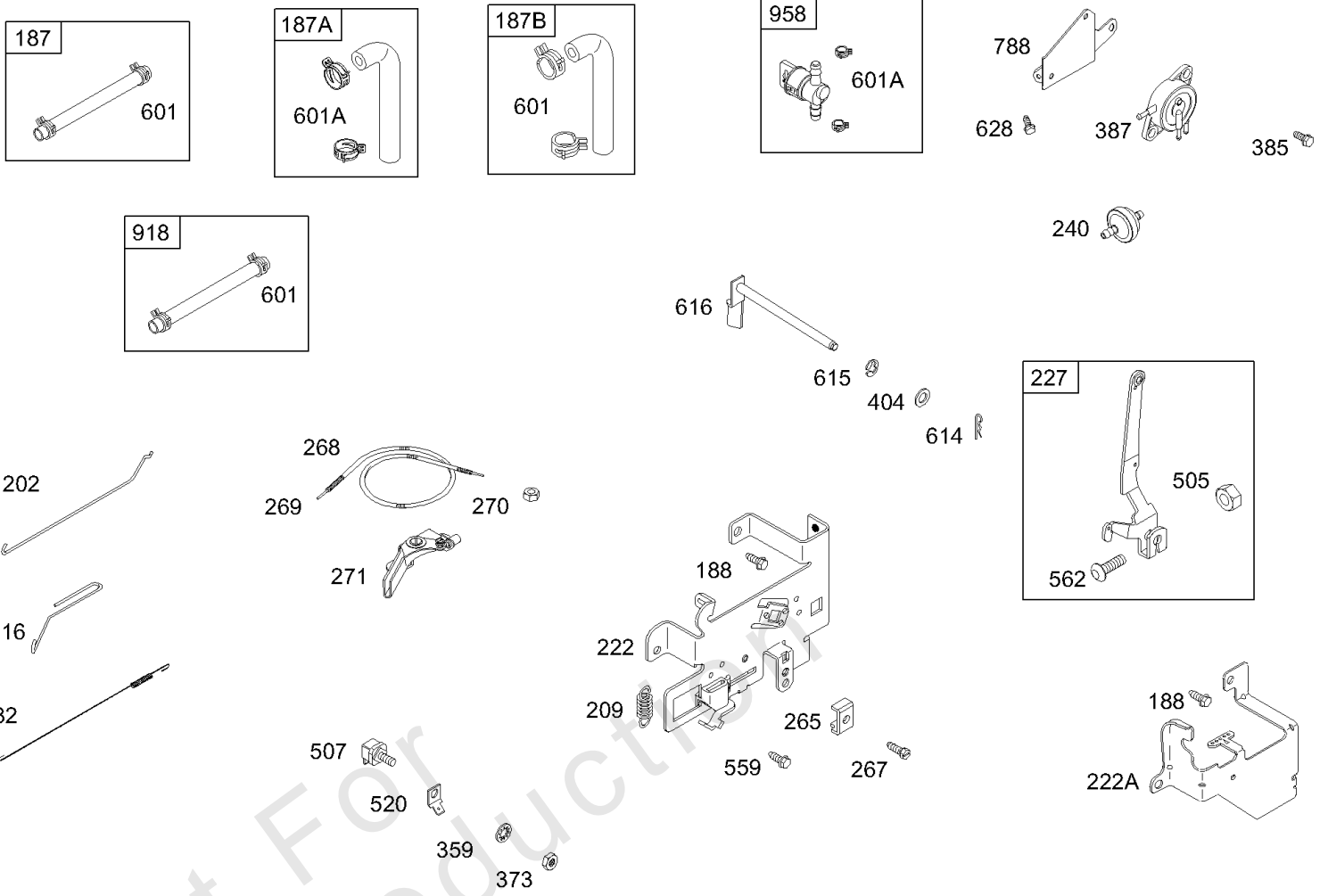
SMALL FAN

LARGE FAN



Blower Housing, Controls, Fuel Pump

| REF NO | PART NO | QTY | DESCRIPTION |
|--------|---------|-----|--|
| 37 | 690456 | | GUARD, Flywheel |
| 78 | 697561 | | SCREW -(Flywheel Guard) |
| 187 | 691050 | | LINE, Fuel -(Cut To Required Length) |
| 187A | 698417 | | LINE, Fuel -(Formed)(10-1/4 Inches)(Cut to Required Length) |
| 187A | 697907 | | LINE, Fuel -(Formed)(9-5/8 Inches)(Cut To Required Length) |
| 187B | 698600 | | LINE, Fuel -(Formed)(9 Inches) |
| 188 | 691693 | | SCREW -(Control Bracket) |
| 202 | 691841 | | LINK, Mechanical Governor |
| 209 | 692208 | | SPRING, Governor -(Green) |
| 216 | 691840 | | LINK, Choke |
| 222 | 694042 | | BRACKET, Control |
| 227 | 691374 | | LEVER, Governor Control |
| 232 | 691842 | | SPRING, Governor Link |
| 240 | 298090S | | FILTER, Fuel -(Red) |
| 240 | 394358S | | FILTER, Fuel -(White) |
| 265 | 691024 | | CLAMP, Casing |
| 267 | 690804 | | SCREW -(Casing Clamp) (5/8) |
| 267 | 695134 | | SCREW -(Casing Clamp) (TORX HEAD) |
| 268 | 691025 | | CASING, Control Wire -(Cut To Required Length) |
| 269 | 691026 | | WIRE, Control -(Cut To Required Length) |
| 270 | 691027 | | NUT -(Control Wire Casing) |
| 271 | 691028 | | LEVER, Control |
| 304 | 494268 | | HOUSING, Blower -(RED)(SMALL FAN) -Used Before Code Date 93071900 |
| 304 | 690846 | | HOUSING, Blower -(BLACK)(SMALL FAN) -Used After Code Date 97072100 |
| 305 | 691108 | | SCREW -(Blower Housing) (19/32" Long) |
| 305 | 692127 | | SCREW -(Blower Housing) (13/16) |
| 359 | 691077 | | WASHER -(Ground Terminal) |
| 373 | 691612 | | NUT -(Ground Terminal) |
| 385 | 691108 | | SCREW -(Fuel Pump) |
| 387 | 808656 | | PUMP, Fuel |
| 404 | 691691 | | WASHER -(Governor Crank) |
| 505 | 691251 | | NUT -(Governor Control Lever) |
| 507 | 691972 | | INSULATOR |

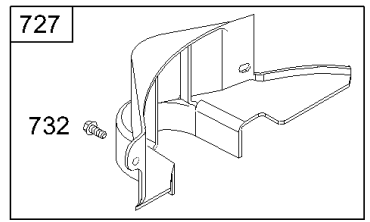
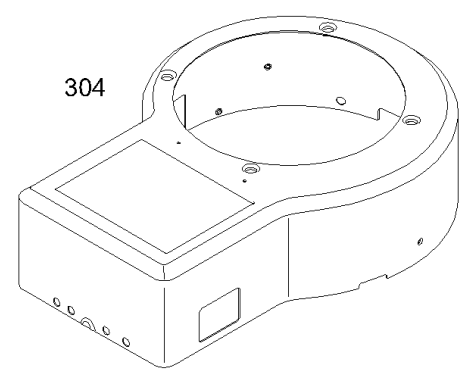
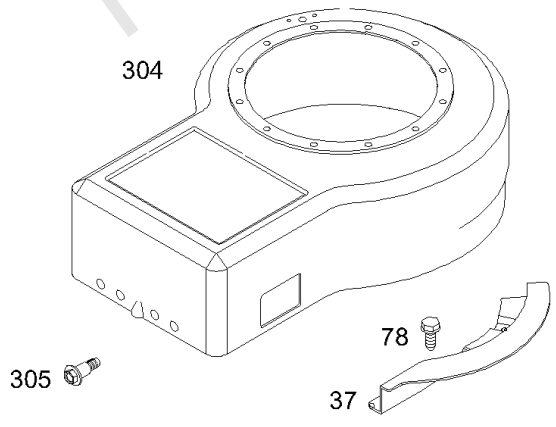


1036 EMISSION LABEL

1019 LABEL KIT

SMALL FAN

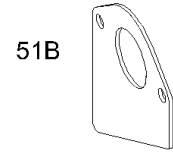
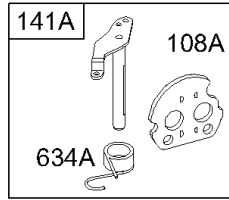
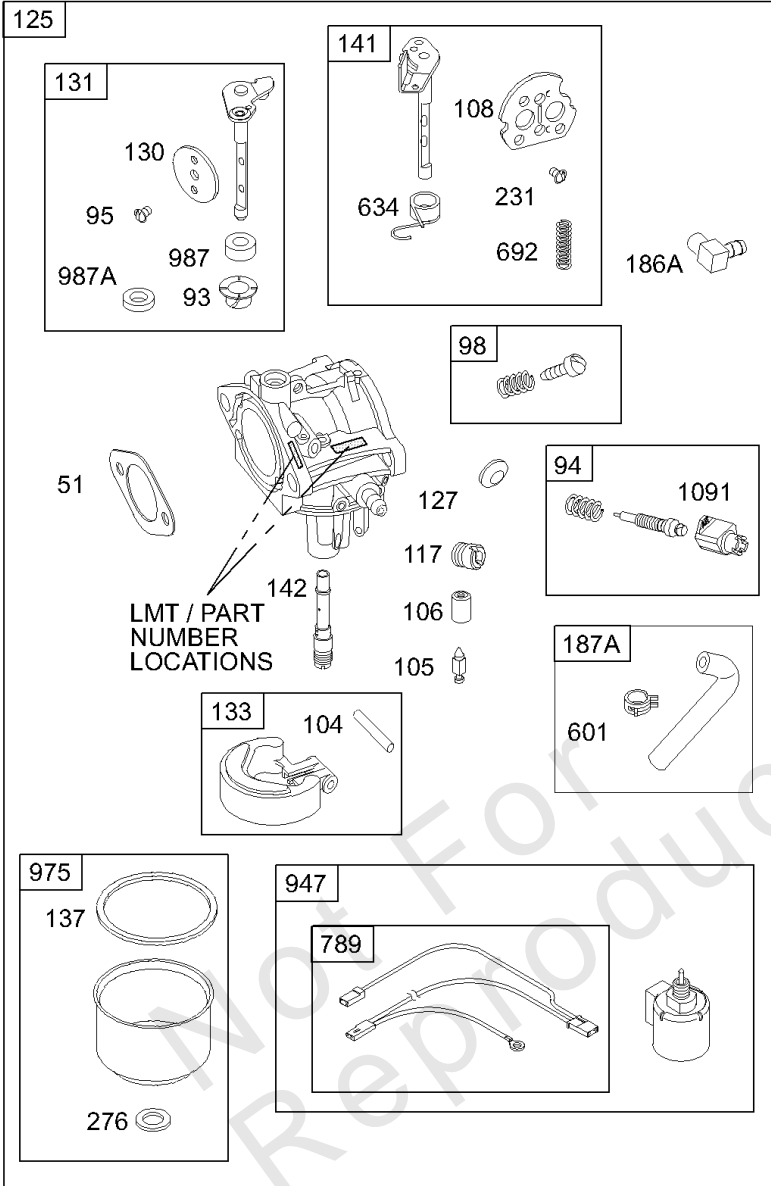
LARGE FAN



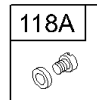
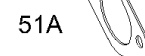
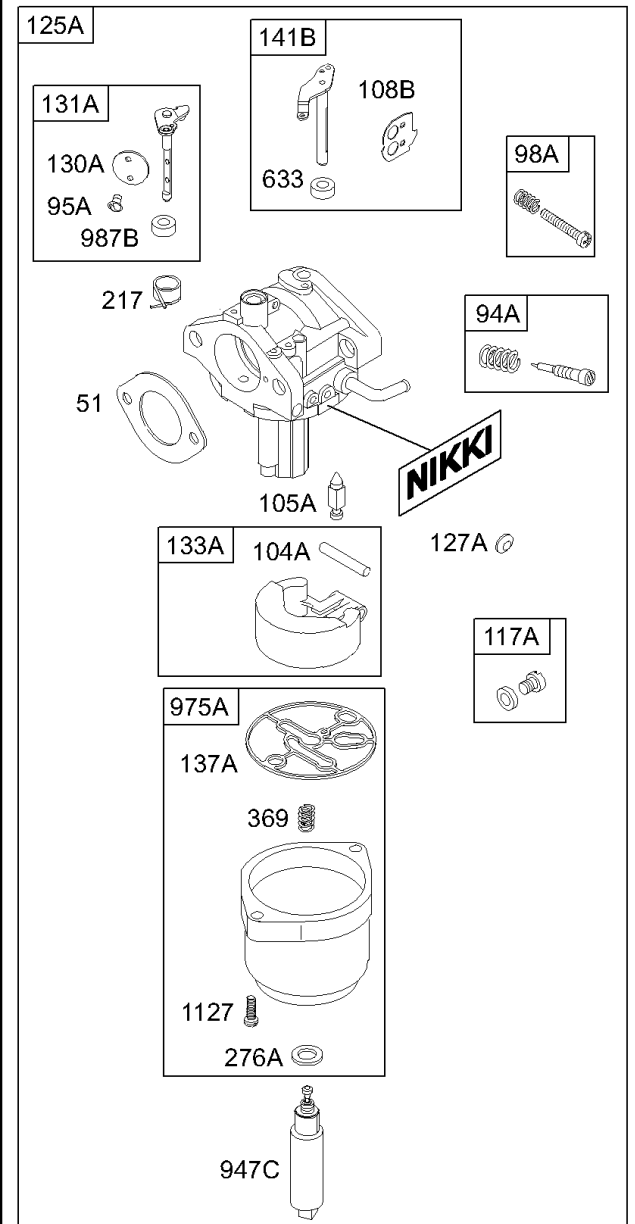
Blower Housing, Controls, Fuel Pump

| REF NO | PART NO | QTY | DESCRIPTION |
|--------|---------|-----|---|
| 520 | 691084 | | TERMINAL, Ground |
| 559 | 697561 | | SCREW -(Remote Choke Stop) (#8-32) |
| 559 | 690661 | | SCREW -(Remote Choke Stop) (#8-18) |
| 562 | 92613 | | BOLT -(Governor Lever) |
| 601 | 95162S | | CLAMP, Hose |
| 601A | 691038 | | CLAMP, Hose -(Black) |
| 614 | 691620 | | PIN, Cotter |
| 615 | 93307 | | RETAINER, Governor Shaft |
| 616 | 692012 | | CRANK, Governor |
| 628 | 692198 | | SCREW -(Fuel Pump Bracket) |
| 727 | 490324 | | COVER, Starter Drive -(Includes Mounting Hardware) |
| 732 | 691002 | | SCREW -(Starter Drive Cover) |
| 788 | 690458 | | BRACKET, Fuel Pump |
| 918 | 393815 | | HOSE, Vacuum -(Cylinder To Impulse Pump)(Cut to Required Length) |
| 958 | 698183 | | VALVE, Fuel Shut Off -(Plastic) |
| 1019 | 496758 | | KIT, Label |
| 1036 | 694318 | | LABEL, Emissions -Used After Code Date 98123100 -Used Before Code Date 99100100 |
| 1036 | 694997 | | LABEL, Emissions -Used After Code Date 99093000 -Used Before Code Date 00070100 |
| 1036 | 499363 | | LABEL, Emissions -Used Before Code Date 97052600 |
| 1036 | 499364 | | LABEL, Emissions -Used After Code Date 97052500 -Used Before Code Date 99010100 |
| 1036 | 695700 | | LABEL, Emissions -Used After Code Date 00063000 |

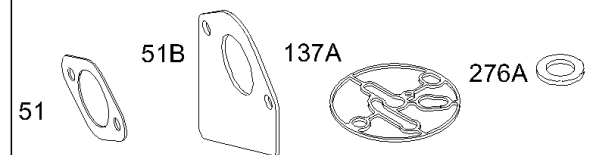
WALBRO



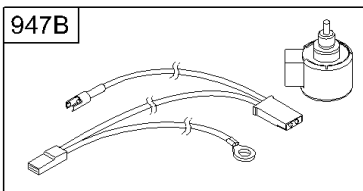
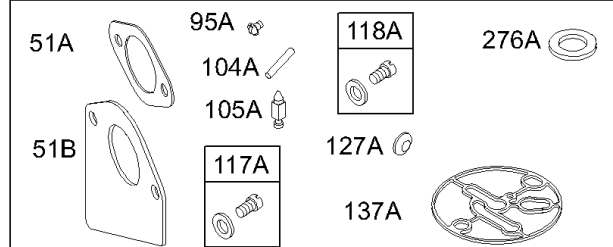
NIKKI



977A CARBURETOR GASKET SET



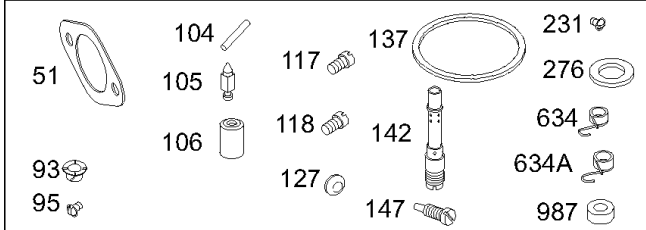
121A CARBURETOR OVERHAUL KIT



977 CARBURETOR GASKET SET



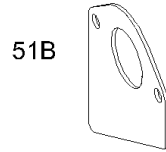
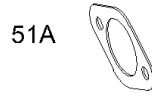
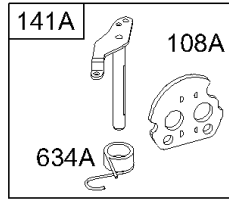
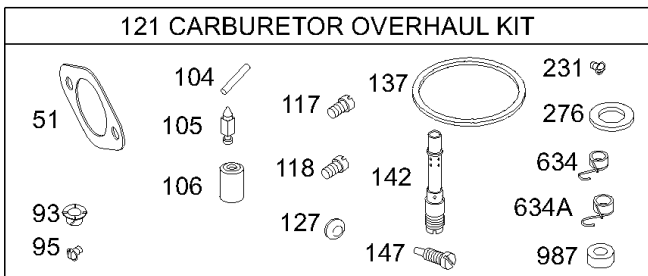
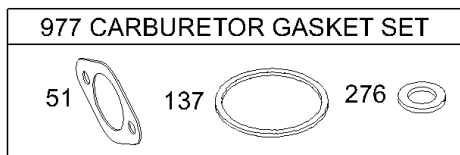
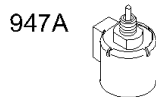
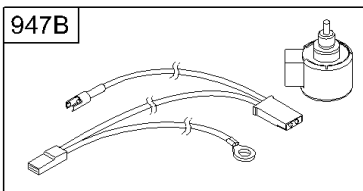
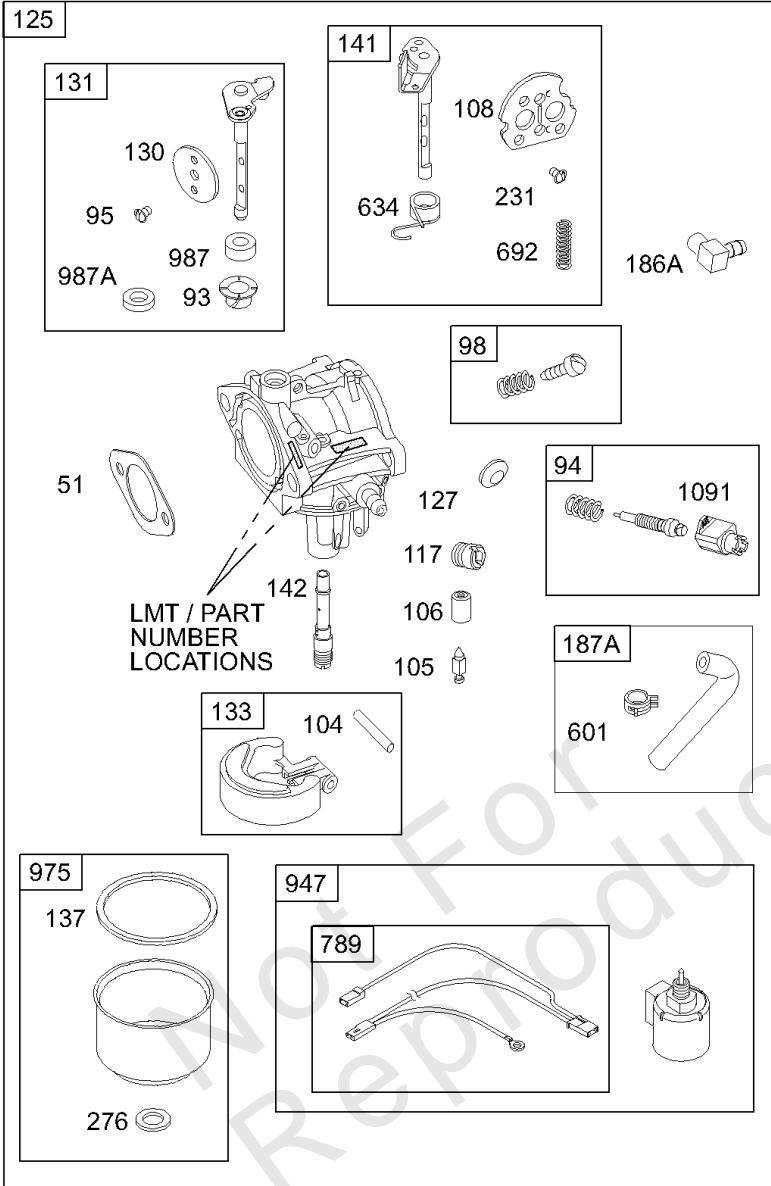
121 CARBURETOR OVERHAUL KIT



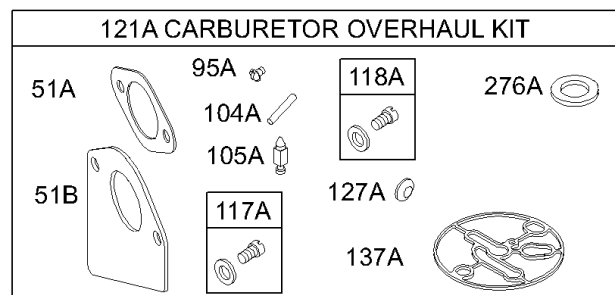
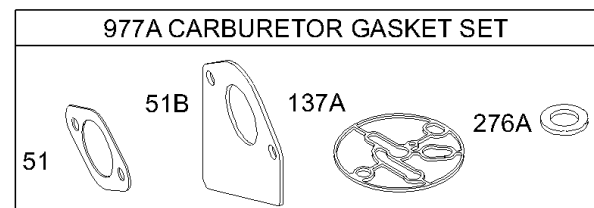
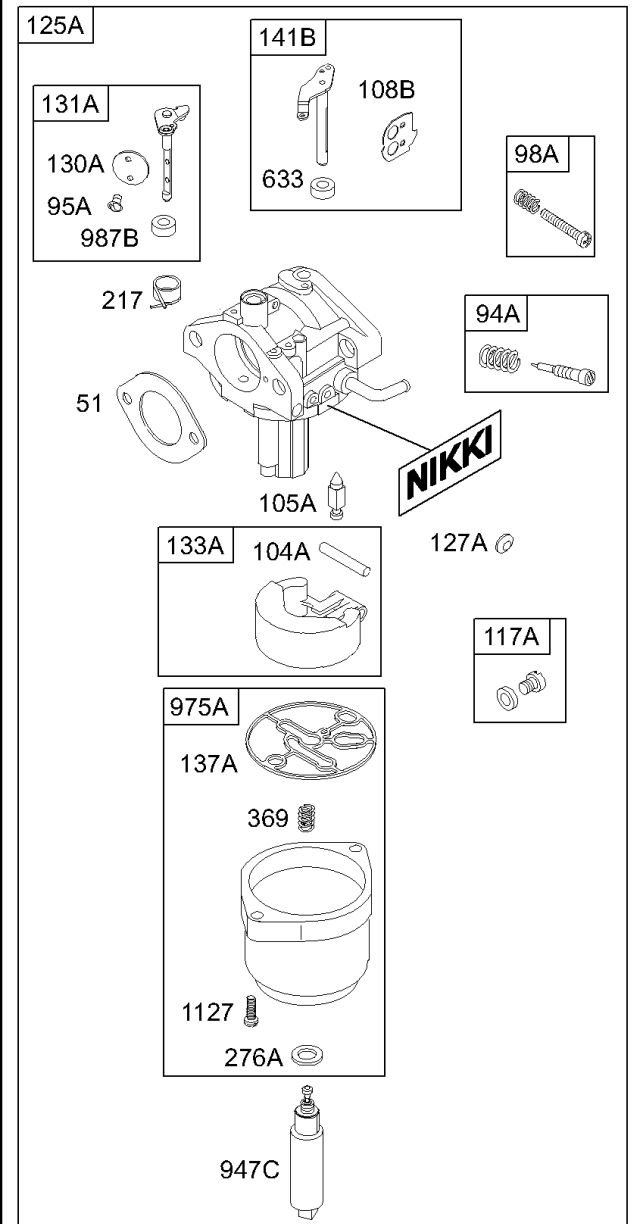
Carburetor, Overhaul Kits

| REF NO | PART NO | QTY | DESCRIPTION |
|--------|---------|-----|---|
| 51 | 692137 | | GASKET-INTAKE |
| 51A | 272569S | | GASKET, Intake |
| 51B | 692284 | | GASKET, Intake |
| 93 | 690602 | | BUSHING, Throttle Shaft |
| 94 | 498032 | | KIT, Idle Mixture -(LMT 130, 137, 138) |
| 94 | 498030 | | KIT, Idle Mixture -(Lmt 153154,155,156) |
| 94A | 495932 | | VALVE, Idle Mixture -(LMT 73, 74, 75, 76, 121, 122, 123, 124, 153, 154, 155, 156) |
| 95 | 691636 | | SCREW -(Throttle Valve) |
| 95A | 690718 | | SCREW -(Throttle Valve) |
| 98 | 495800 | | KIT, Idle Speed -(Idle Speed) (Lmt 54, 55, 91) |
| 98A | 695408 | | KIT, Idle Speed |
| 104 | 690525 | | PIN, Float Hinge |
| 104A | 694918 | | PIN, Float Hinge |
| 105 | 231855S | | VALVE-FLOAT NEEDLE |
| 105A | 694922 | | VALVE, Float Needle |
| 106 | 690577 | | SEAT, Inlet -(Gravity Feed) |
| 106 | 691780 | | SEAT, Inlet -(Pump Feed) |
| 108 | 690464 | | VALVE, Choke -(Manual Choke) |
| 108A | 692344 | | VALVE, Choke -(Choke A Matic) |
| 108B | 695419 | | VALVE, Choke |
| 117 | 692408 | | JET, Main -(Standard) (LMT 149, 150, 152, 153, 154, 155, 156, 697480, 697481, 697482, 697483) |
| 117 | 697228 | | JET, Main -(Standard) (LMT 33, 34, 73, 74, 76, 121, 122, 130, 137, 138) |
| 117A | 695415 | | JET, Main -(Standard) (Standard) |
| 118 | 231850 | | JET, Main -(High Altitude) (LMT 33, 34, 73, 74, 76, 121, 122, 130, 137, 138) |
| 118 | 692411 | | JET, Main -(High Altitude) (LMT 149, 150, 152, 153, 154, 155, 156, 697480, 697481, 697482, 697483) |
| 118A | 695416 | | JET, Main -(High Altitude) (Nikki Carburetor) |
| 121 | 499233 | | KIT, Carburetor Overhaul -Used After Code Date 96072500 -Used Before Code Date 97100600 |
| 121 | 690191 | | KIT, Carburetor Overhaul -Used After Code Date 97100500 |
| 121 | 498116 | | KIT, Carburetor Overhaul -Used Before Code Date 96072600 |
| 121A | 695427 | | KIT, Carburetor Overhaul |
| 125 | 698620 | | CARBURETOR -(Gravity Feed) |
| 125A | ----- | | Carburetor -(Nikki Carburetor, Service With Walbro Carburetor) -Used After Code Date 02091500 |
| 125A | ----- | | Carburetor -(Nikki Carburetor, Service With Walbro Carburetor) -Used Before Code Date 02091600 |

WALBRO



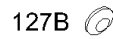
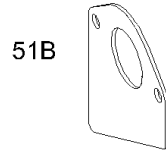
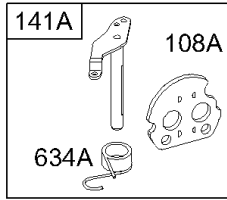
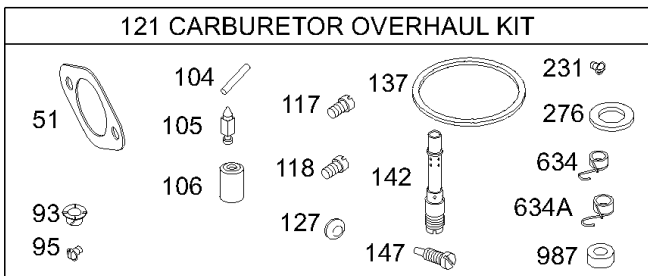
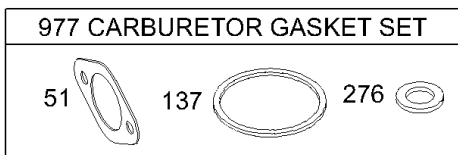
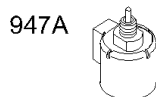
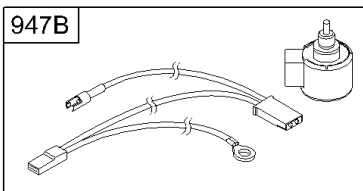
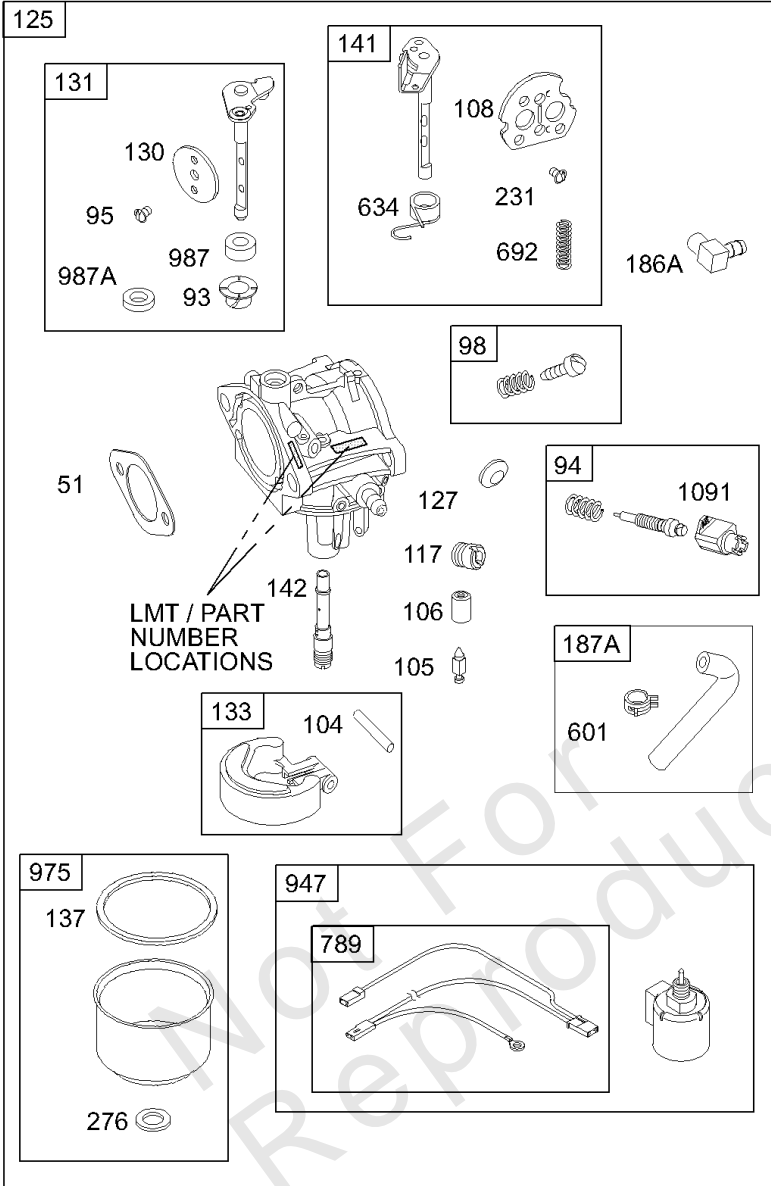
NIKKI



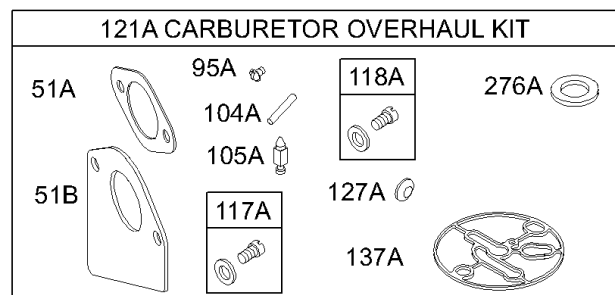
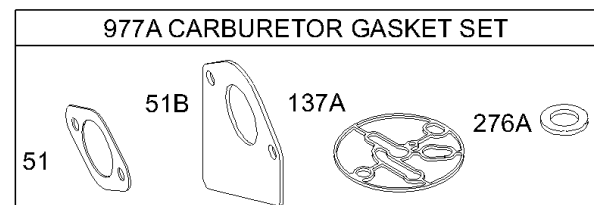
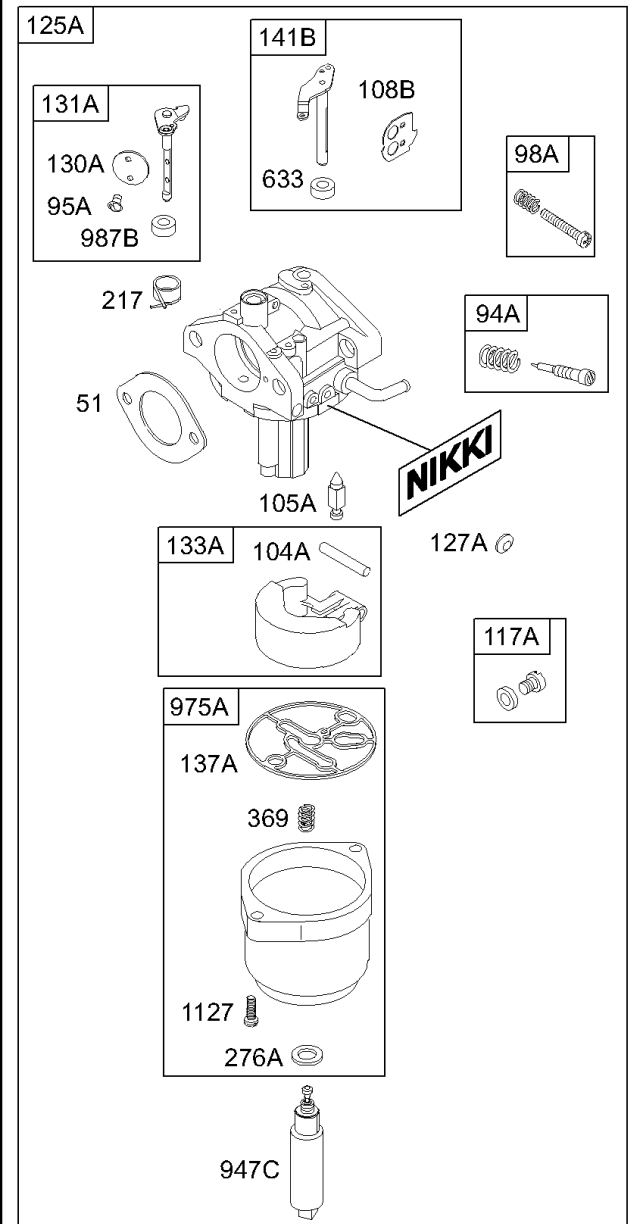
Carburetor, Overhaul Kits

| REF NO | PART NO | QTY | DESCRIPTION |
|--------|---------|-----|---|
| 127 | 695005 | | PLUG, Welch |
| 127A | 690727 | | PLUG, Welch |
| 127B | 694530 | | PLUG, Welch -(LMT 153, 154, 155) |
| 130 | 691750 | | VALVE, Throttle |
| 130A | 695418 | | VALVE, Throttle |
| 131 | 494379 | | KIT, Throttle Shaft |
| 131A | 695421 | | KIT, Throttle Shaft |
| 133 | 494381 | | FLOAT, Carburetor |
| 133A | 694914 | | FLOAT, Carburetor |
| 137 | 281165S | | GASKET, Float Bowl |
| 137A | 695426 | | GASKET, Float Bowl |
| 141 | 495097 | | KIT, Choke Shaft -(Manual Choke) |
| 141A | 495931 | | KIT, Choke Shaft -(Choke A Matic) |
| 141B | 695420 | | KIT, Choke Shaft |
| 142 | 692412 | | NOZZLE, Carburetor -(Standard) (LMT 149, 150, 152, 153, 154, 155, 156, 697480, 697481, 697482, 697483) |
| 142 | 231990 | | NOZZLE, Carburetor -(Standard) |
| 147 | 231985 | | JET, Pilot -(LMT 73, 74, 121, 122, 125, 129, 130, 131, 132, 137, 138) |
| 147 | 497472 | | JET, Pilot -(LMT 33, 34) |
| 186A | 692317 | | CONNECTOR-HOSE -(Carburetor) |
| 187A | 698417 | | LINE, Fuel -(Formed)(10-1/4 Inches)(Cut to Required Length) |
| 187A | 697907 | | LINE, Fuel -(Formed)(9-5/8 Inches)(Cut To Required Length) |
| 217 | 695409 | | SPRING, Choke Return |
| 231 | 691636 | | SCREW -(Choke Valve) |
| 276 | 692255 | | WASHER, Sealing -(Float Bowl) |
| 276A | 695410 | | WASHER, Sealing -(Float Bowl) |
| 369 | 695422 | | SPRING, Float Bowl |
| 601 | 95162S | | CLAMP, Hose |
| 633 | 695414 | | SEAL, Choke/Throttle Shaft |
| 634 | 690801 | | SPRING/SEAL ASSEMBLY -(Manual Choke) |
| 634A | 690802 | | SPRING/SEAL ASSEMBLY -(Choke A Matic) |
| 692 | 690572 | | SPRING, Detent |
| 729 | 691335 | | CLIP, Wire -(Wiring Harness/Solenoid) |
| 789 | 692037 | | HARNES-WIRING -(Fuel Solenoid) |
| 947 | 692734 | | SOLENOID, Fuel |
| 947B | 497672 | | SOLENOID, Fuel |
| 947C | 695423 | | SOLENOID, Fuel |
| 975 | 495933 | | BOWL, Float -(Float Bowl) |
| 975A | 695417 | | BOWL, Float |

WALBRO



NIKKI



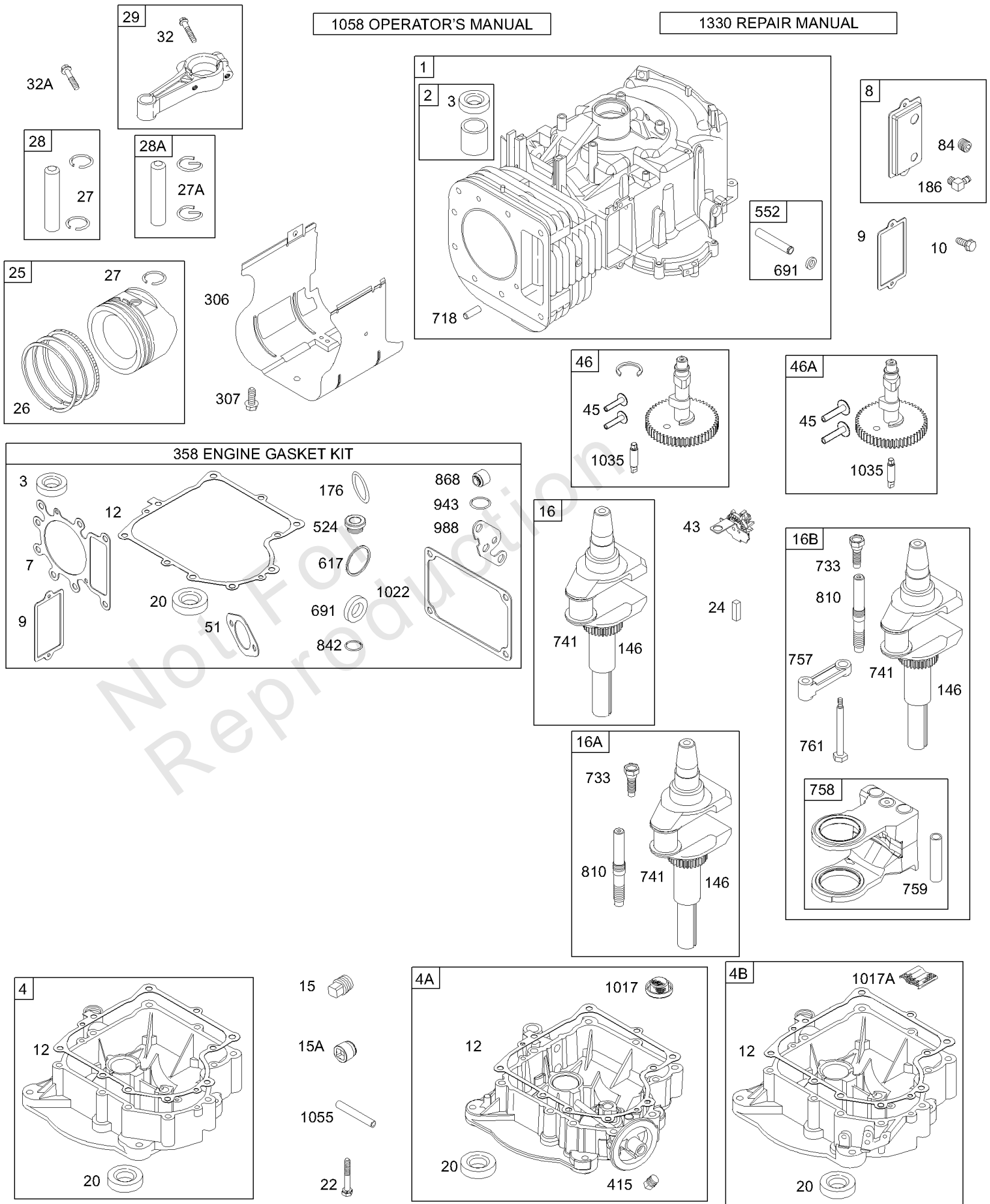
Carburetor, Overhaul Kits

| REF NO | PART NO | QTY | DESCRIPTION |
|--------|---------|-----|---|
| 977 | 690192 | | SET, Carburetor Gasket |
| 977A | 695428 | | SET, Carburetor Gasket |
| 987 | 691326 | | SEAL, Choke/Throttle Shaft |
| 987A | 692001 | | SEAL, Choke/Throttle Shaft -(LMT 33, 34) |
| 987B | 698777 | | SEAL, Choke/Throttle Shaft |
| 1091 | 691333 | | CAP, Limiter |
| 1127 | 695407 | | SCREW -(Float Bowl) |

Not For Reproduction

1058 OPERATOR'S MANUAL

1330 REPAIR MANUAL

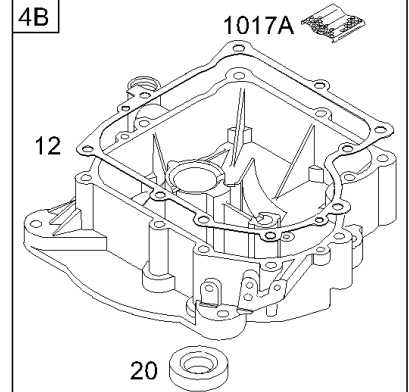
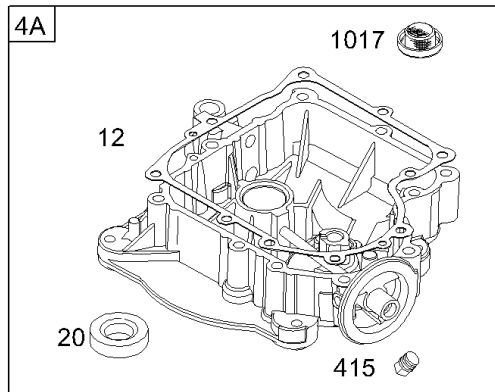
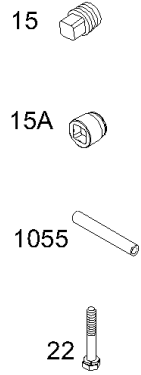
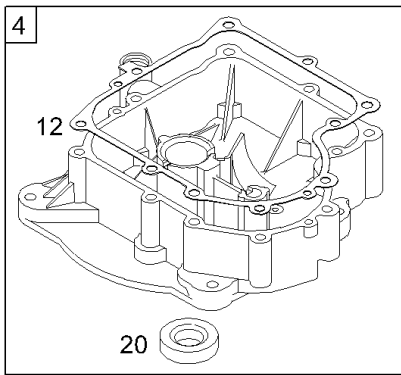
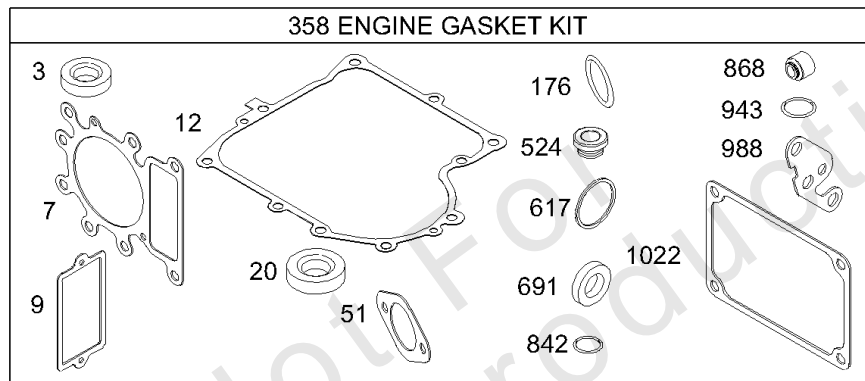
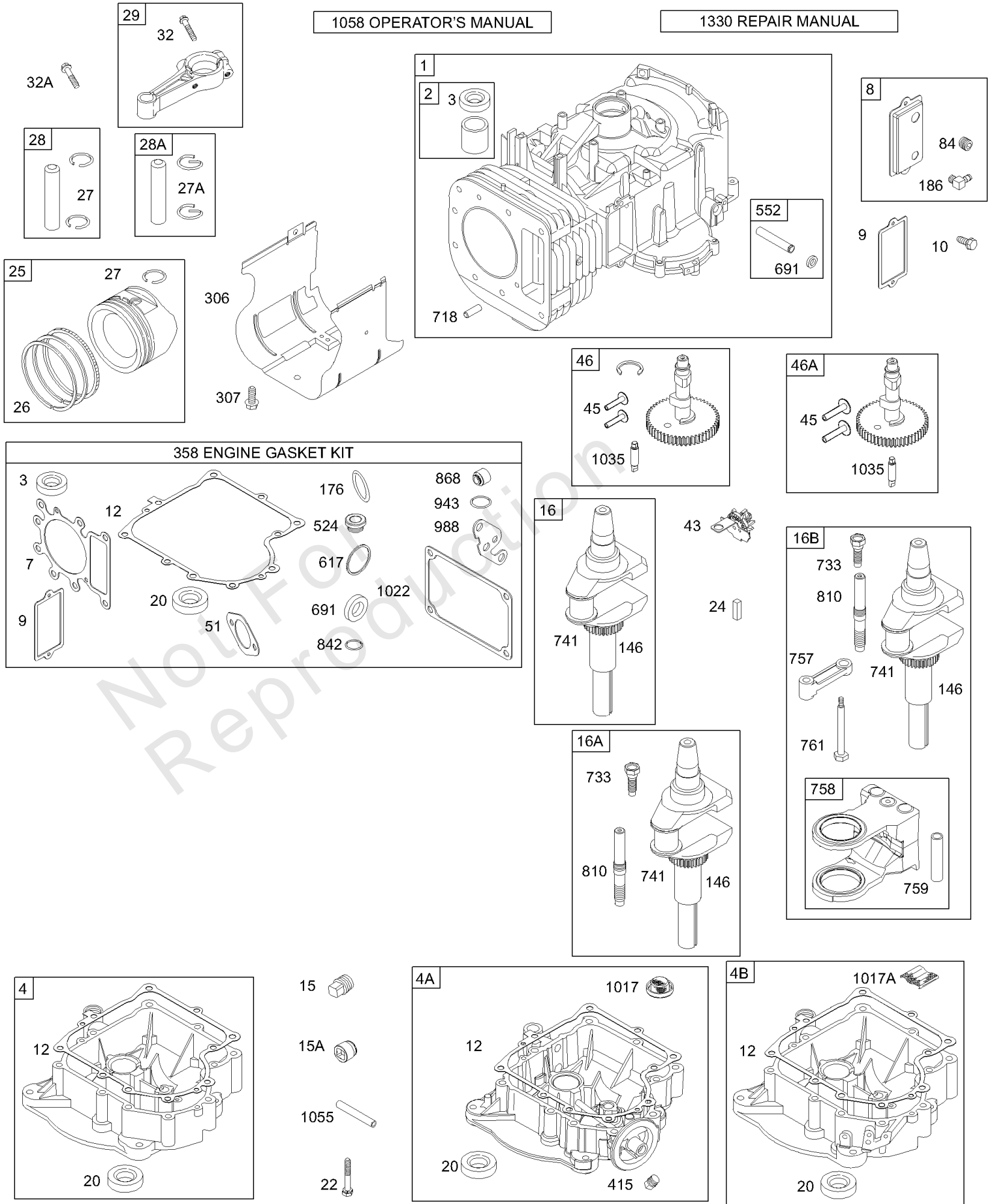


Cylinder, Piston/Ring, Crankshaft, Sump, Kits

| REF NO | PART NO | QTY | DESCRIPTION |
|--------|---------|-----|---|
| 1 | 495867 | | CYLINDER ASSEMBLY -Used Before Code Date 93073000 |
| 1 | 496412 | | CYLINDER ASSEMBLY -Used After Code Date 93072900 |
| 2 | 399265 | | KIT, Bushing/Seal -(Magneto Side) |
| 3 | 391086S | | SEAL, Oil -(Magneto Side) |
| 4 | 494238 | | SUMP, Engine |
| 7 | 273280S | | GASKET, Cylinder Head |
| 8 | 696126 | | BREATHER ASSEMBLY |
| 9 | 27803S | | GASKET, Breather |
| 10 | 691666 | | SCREW -(Breather Assembly) |
| 12 | 692226 | | GASKET, Crankcase -(.015)(Standard) |
| 12 | 692405 | | GASKET, Crankcase -(.009) |
| 12 | 692406 | | GASKET, Crankcase -(.005) |
| 15 | 690946 | | PLUG, Oil Drain |
| 15A | 691680 | | PLUG, Oil Drain |
| 16 | 690136 | | CRANKSHAFT -Used After Code Date 98063000 |
| 16A | 693944 | | CRANKSHAFT -Used After Code Date 95073100 -Used Before Code Date 98070100 |
| 16B | 693653 | | CRANKSHAFT -Used Before Code Date 95080100 |
| 20 | 291675S | | SEAL, Oil -(PTO Side) |
| 22 | 692125 | | SCREW -(Crankcase Cover/Sump) |
| 24 | 222698S | | KEY, Flywheel |
| 25 | 499284 | | PISTON ASSEMBLY -(Standard) -Used Before Code Date 01041900 |
| 25 | 499292 | | PISTON ASSEMBLY -(.020 Oversize) -Used Before Code Date 01041900 |
| 25 | 696397 | | PISTON ASSEMBLY -(Standard) -Used After Code Date 01041800 |
| 25 | 696399 | | PISTON ASSEMBLY -(.020 Oversize) -Used After Code Date 01041800 |
| 25 | 696400 | | PISTON ASSEMBLY -(.030 Oversize) -Used After Code Date 01041800 |
| 26 | 696404 | | SET, Ring -(.010 Oversize) -Used After Code Date 01041800 |
| 26 | 696405 | | SET, Ring -(.020 Oversize) -Used After Code Date 01041800 |
| 26 | 696403 | | SET, Ring -(Standard) -Used After Code Date 01041800 |
| 26 | 495851 | | SET, Ring -(.020 Oversize) -Used Before Code Date 01041900 |

1058 OPERATOR'S MANUAL

1330 REPAIR MANUAL

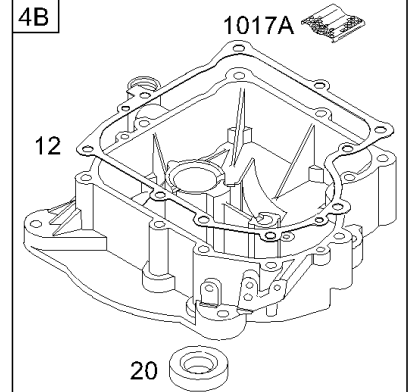
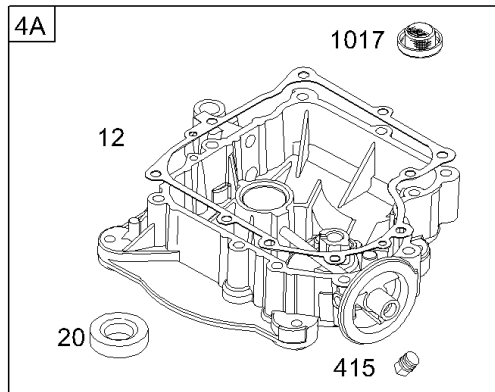
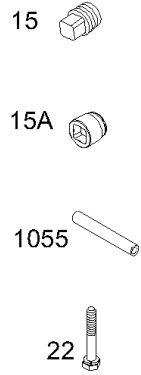
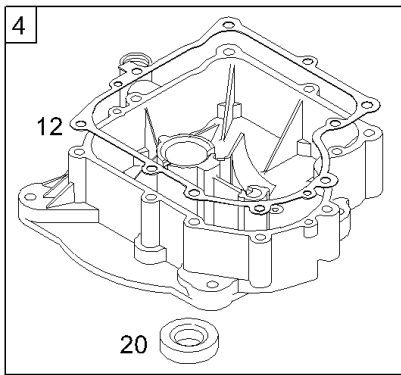
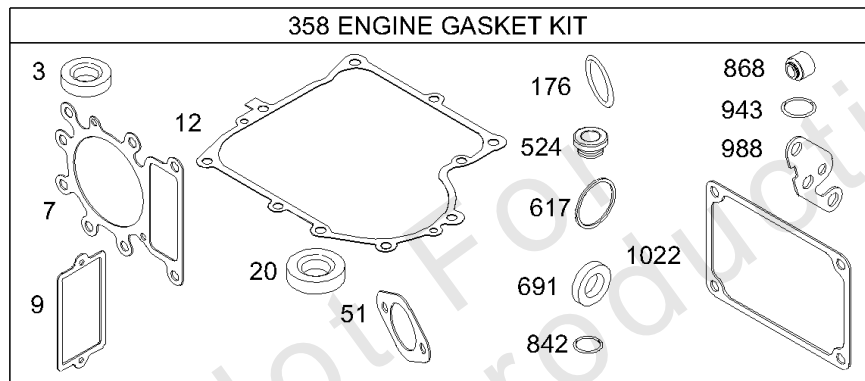
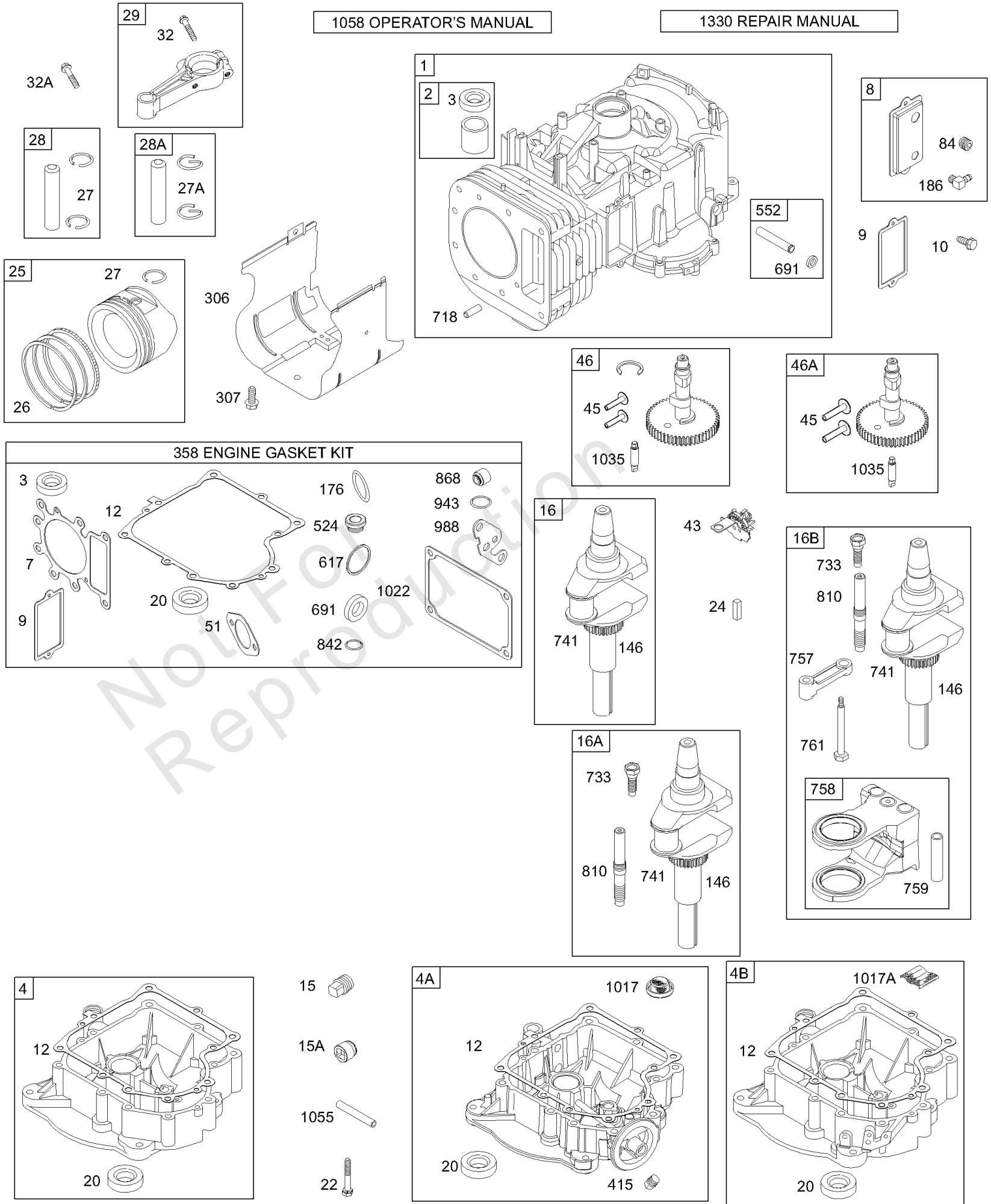


Cylinder, Piston/Ring, Crankshaft, Sump, Kits

| REF NO | PART NO | QTY | DESCRIPTION |
|--------|---------|-----|---|
| 26 | 696406 | | SET, Ring -(.030 Oversize) -Used After Code Date 01041800 |
| 26 | 495854 | | SET, Ring -(Standard) -Used Before Code Date 01041900 |
| 26 | 495855 | | SET, Ring -(.030 Oversize) -Used Before Code Date 01041900 |
| 27 | 691299 | | LOCK, Piston Pin -Used After Code Date 95101500 |
| 27A | 691792 | | LOCK, Piston Pin -Used Before Code Date 95101600 |
| 28 | 498319 | | PIN, Piston -(Standard) -Used After Code Date 95101500 |
| 28 | 498320 | | PIN, Piston -(.005 Oversize) -Used After Code Date 95101500 |
| 28A | 299691 | | PIN, Piston -(Standard) -Used Before Code Date 95101600 |
| 28A | 391286 | | PIN, Piston -(.005 Oversize) -Used Before Code Date 95101600 |
| 29 | 692420 | | ROD, Connecting -(.020 Undersize) -Used After Code Date 98063000 |
| 29 | 692419 | | ROD, Connecting -(Standard) -Used After Code Date 98063000 |
| 29 | 495490 | | ROD, Connecting -(.020 Undersize) -Used Before Code Date 98070100 |
| 29 | 494504S | | ROD, Connecting -(Standard) -Used Before Code Date 98070100 |
| 32 | 690356 | | SCREW -(Connecting Rod) (1 7/8) |
| 32A | 690348 | | SCREW -(Connecting Rod) (1 5/8) |
| 43 | 691968 | | SLINGER, Governor/Oil |
| 45 | 690564 | | TAPPET, Valve |
| 46 | 698492 | | CAMSHAFT |
| 51 | 692137 | | GASKET-INTAKE |
| 84 | 690343 | | PLUG, Oil Drain |
| 146 | 691639 | | KEY, Woodruff |
| 176 | 691917 | | SEAL, O-Ring -(Air Cleaner Base) |
| 186 | 691609 | | CONNECTOR, Hose -(Breather Assembly) |
| 306 | 698454 | | SHIELD-CYLINDER |
| 307 | 691003 | | SCREW -(Cylinder Shield) |
| 358 | 495993 | | GASKET SET, Engine -Used Before Code Date 97100600 |
| 358 | 691580 | | GASKET SET, Engine -Used After Code Date 97100500 |
| 524 | 281370S | | SEAL-DIPSTICK TUBE -(Dipstick Tube) |

1058 OPERATOR'S MANUAL

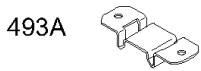
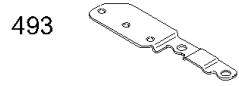
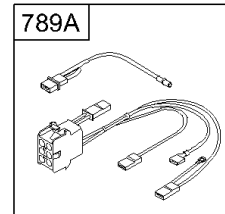
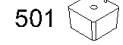
1330 REPAIR MANUAL



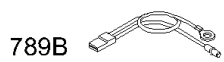
Cylinder, Piston/Ring, Crankshaft, Sump, Kits

| REF NO | PART NO | QTY | DESCRIPTION |
|--------|---------|-----|--|
| 552 | 491986 | | BUSHING, Governor Crank -(1/4 I.D.) |
| 617 | 692138 | | SEAL, O-Ring -(Intake Manifold) -Used After Code Date 97100500 |
| 691 | 692407 | | SEAL, Governor Shaft |
| 718 | 690959 | | PIN, Locating |
| 733 | 691658 | | SCREW -(Crankshaft Extension) |
| 741 | 691284 | | GEAR, Timing |
| 757 | 691714 | | LINK, Counterweight -(-Used After Code Date 78100411) |
| 758 | 692423 | | COUNTERWEIGHT |
| 759 | 691239 | | PIN, Counterweight |
| 761 | 691096 | | SCREW -(Counterweight) |
| 810 | 691779 | | EXTENSION, Crankshaft |
| 842 | 691870 | | SEAL, O-Ring -(Dipstick Tube) |
| 868 | 690968 | | SEAL, Valve |
| 943 | 690589 | | SEAL, O-Ring -(Oil Pump Cover) -Used After Code Date 98063000 |
| 988 | 691317 | | GASKET, Oil Adapter |
| 1017 | 690770 | | SCREEN, Oil Pump |
| 1017A | 691216 | | SCREEN, Oil Pump |
| 1022 | 272475S | | GASKET, Rocker Cover |
| 1035 | 693784 | | SHAFT, Pump |
| 1055 | 690528 | | TUBE, Oil Pump -Used Before Code Date 98070100 |
| 1058 | 275935 | | MANUAL, Operator's |
| 1330 | 272147 | | MANUAL, Repair |

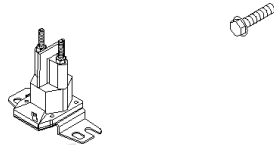
| | DC ONLY | DUAL CIRCUIT | TRI CIRCUIT |
|------|---------|--------------|--------------|
| 474 | 877A | 474A 877 | 474B 877B |
| 1059 | 1059 | 1059 | 1059 |
| 578 | 878 | 878A | |



NOTE: ALL OLD STYLE STATORS USE REFERENCE NUMBER 119 MOUNTING SCREW



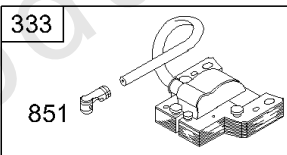
920



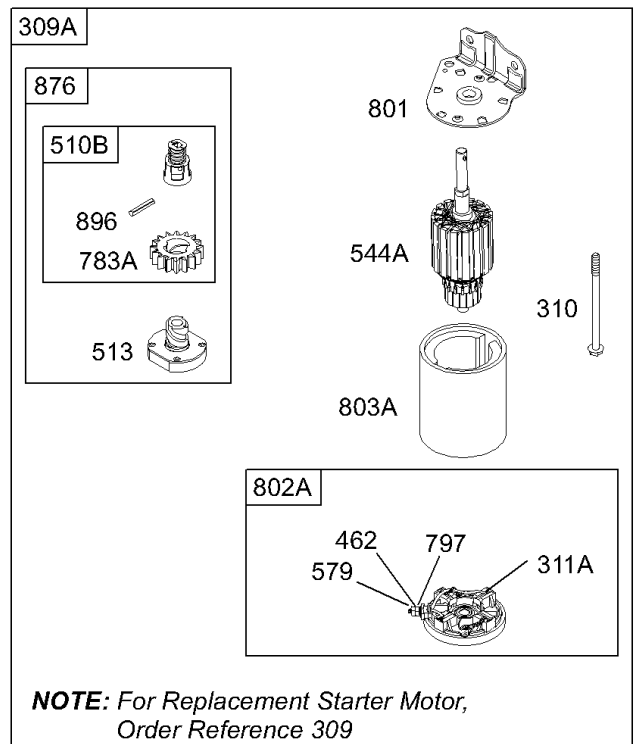
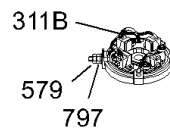
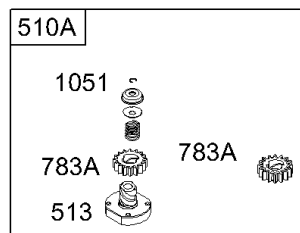
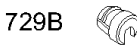
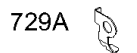
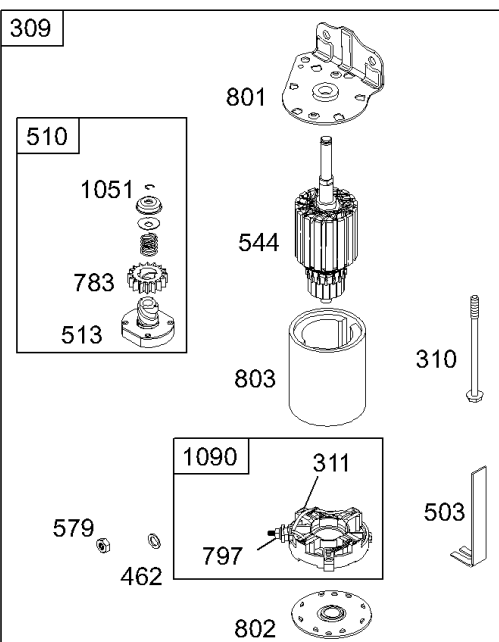
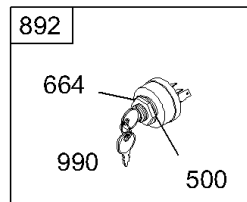
334



333



851

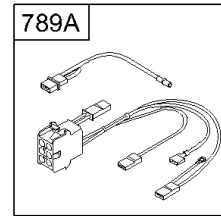
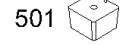
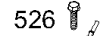


NOTE: For Replacement Starter Motor, Order Reference 309

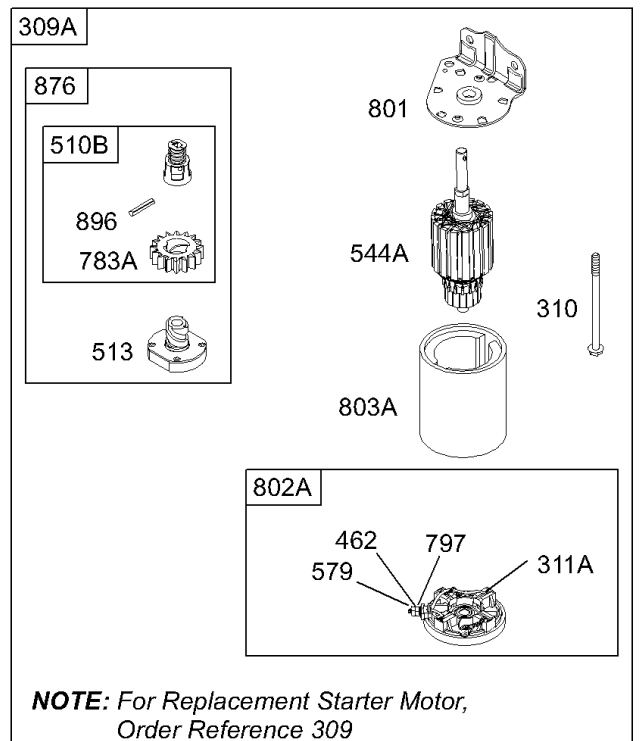
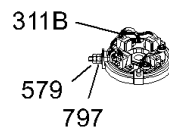
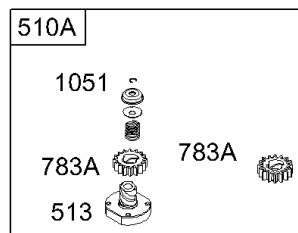
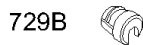
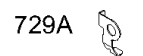
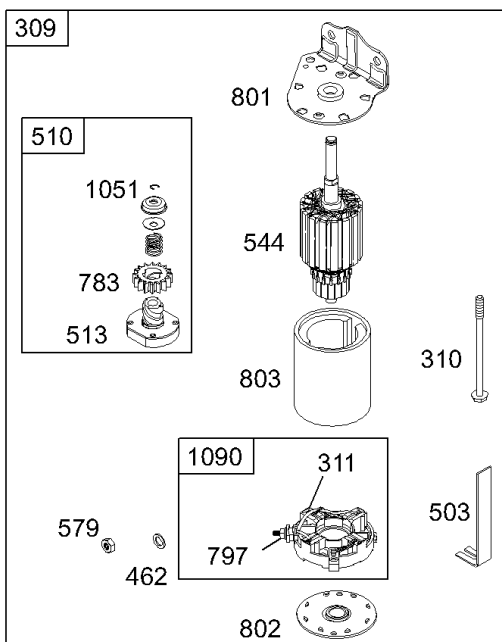
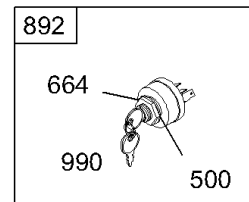
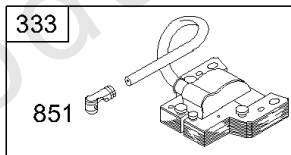
Electric Starter, Alternator, Magneto

| REF NO | PART NO | QTY | DESCRIPTION |
|--------|---------|-----|--|
| 309 | 499521 | | MOTOR, Starter -(4 3/8 Housing Length For Aluminum Ring Gear Only) |
| 309 | 693054 | | MOTOR, Starter -(3 5/8) (Aluminum Ring Gear) |
| 309 | 693551 | | MOTOR, Starter -(3 5/8 Housing Length For Steel Ring Gear Only) |
| 309 | 693552 | | MOTOR, Starter -(4 3/8 Housing Length For Steel Ring Gear Only) |
| 309 | 497401 | | MOTOR, Starter -(4 3/8 Housing Length For Plastic Ring Gear Only) |
| 309 | 497595 | | MOTOR, Starter -(3 5/8) (Plastic Ring Gear) |
| 309A | ----- | | Motor-Starter -(For Replacement Starter Motor, Order Reference 309) |
| 310 | 691263 | | BOLT -(Starter Motor) (4 3/8 Housing) |
| 310 | 692329 | | BOLT -(Starter Motor) (4 9/16 Housing) |
| 310 | 690323 | | SCREW -(Starter Motor) (3 5/8" Housing Length) |
| 311 | 497608 | | SET, Brush |
| 311A | 395538 | | SET, Brush -(3 5/8 Housing) |
| 311B | 490311 | | SET, Brush -(4 9/16 Housing) |
| 333 | 492341 | | ARMATURE, Magneto |
| 334 | 691061 | | SCREW -(Magneto Armature) |
| 356 | 690807 | | WIRE, Stop |
| 462 | 691261 | | WASHER -(Starter Cable) |
| 474 | 696578 | | ALTERNATOR -(DC Only) |
| 474A | 696459 | | ALTERNATOR -(Dual Circuit) |
| 474B | 696457 | | ALTERNATOR -(Tri Circuit) |
| 493 | 694475 | | BRACKET, Mounting -(Regulator) |
| 493A | 691177 | | BRACKET, Mounting -(Regulator) |
| 500 | 691086 | | WASHER -(Key Switch) |
| 501 | 691188 | | REGULATOR -(9 Amp Regulated) |
| 503 | 691532 | | STRAP, Starter |
| 510 | 693699 | | DRIVE, Starter -(Used With Steel Ring Gear) |
| 510A | 696541 | | DRIVE, Starter -(Used With Aluminum And Plastic Ring Gears) |
| 510B | 696540 | | DRIVE, Starter |
| 513 | 692024 | | CLUTCH, Drive |
| 521 | 690581 | | SHIELD, Cable |
| 526 | 694476 | | SCREW -(Regulator) |
| 544 | 692034 | | ARMATURE, Starter -(3 5/8 Housing) |
| 544A | 390837 | | ARMATURE, Starter -(3 5/8 Housing) |

| | DC ONLY | DUAL CIRCUIT | TRI CIRCUIT |
|------|---------|--------------|--------------|
| 474 | 877A | 474A 877 | 474B 877B |
| 1059 | 1059 | 1059 | 1059 |
| 578 | 878 | 878A | |



NOTE: ALL OLD STYLE STATORS USE REFERENCE NUMBER 119 MOUNTING SCREW



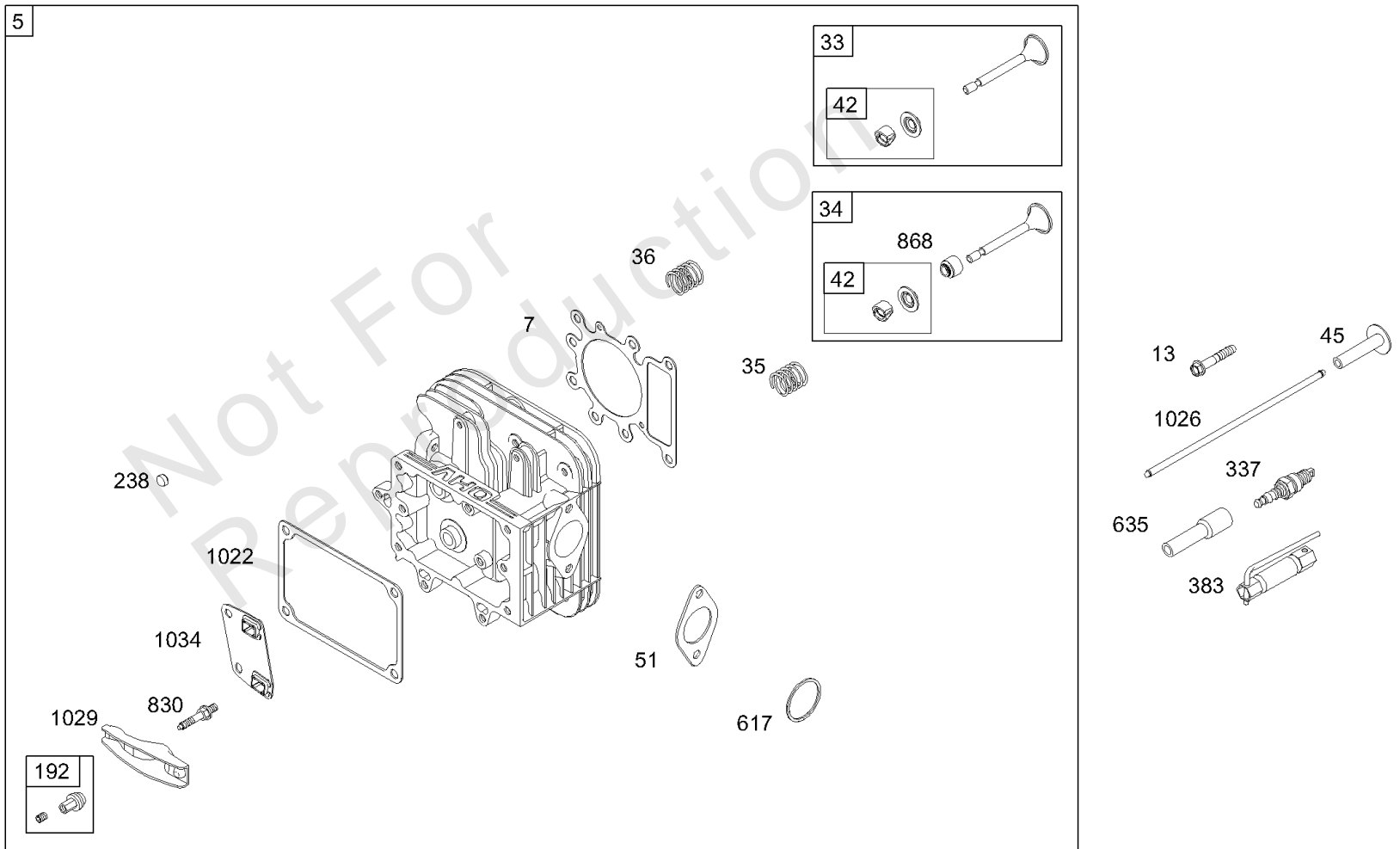
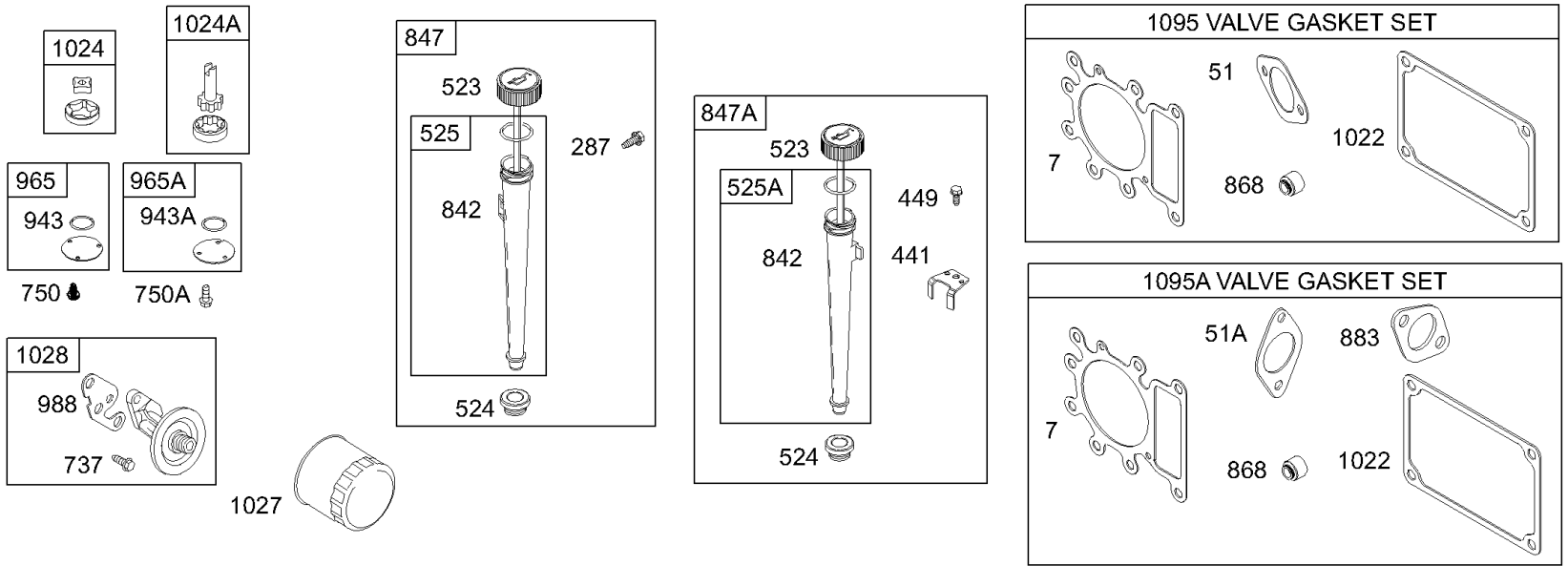
NOTE: For Replacement Starter Motor, Order Reference 309

Electric Starter, Alternator, Magneto

| REF NO | PART NO | QTY | DESCRIPTION |
|--------|---------|-----|---|
| 544A | 490309 | | ARMATURE, Starter -(4 3/8 Housing) |
| 579 | 691029 | | NUT -(Starter Cable) |
| 664 | 691087 | | NUT -(Key Switch) |
| 697 | 690372 | | SCREW -(Drive Cap) (11/16) |
| 697A | 691058 | | SCREW -(Drive Cap) (3/4) |
| 729A | 691224 | | CLIP, Wire -(Starter Motor) |
| 729B | 224723 | | CLIP, Wire -(Starter Motor) |
| 783 | 693713 | | GEAR, Pinion -(Steel Ring Gear Only) |
| 783A | 695708 | | GEAR-PINION -(Aluminum And Plastic Ring Gears) |
| 789A | 698329 | | HARNESS, Wiring -(Alternator) |
| 789B | 693000 | | HARNESS, Wiring |
| 797 | 693167 | | NUT -(Brush Retainer) |
| 801 | 691283 | | CAP, Drive |
| 802 | 691286 | | CAP, End |
| 802A | 395537 | | CAP, End -(3 5/8 Housing) |
| 803 | 693757 | | HOUSING, Starter -(3 5/8 Housing) |
| 803A | 494205 | | HOUSING, Starter -(4 3/8 Housing) |
| 803A | 398159 | | HOUSING, Starter -(3 5/8 Housing) |
| 813 | 690635 | | CLAMP -(Regulator) |
| 851 | 692424 | | TERMINAL, Spark Plug |
| 876 | 696539 | | KIT, Pinion Spring |
| 877 | 393456 | | WIRE/CONNECTOR, Alternator -(Dual Circuit) |
| 877A | 393814 | | WIRE/CONNECTOR, Alternator -(DC CIRCUIT) |
| 877B | 393537 | | WIRE/CONNECTOR, Alternator -(Tri Circuit) |
| 878 | 691237 | | HARNESS, Alternator |
| 878A | 691955 | | HARNESS, Alternator |
| 892 | 692318 | | SWITCH, Key |
| 896 | 691641 | | PIN, Drive Retainer |
| 990 | 691959 | | SET, Key |
| 1051 | 691265 | | RING, Retaining |
| 1054 | 280275 | | TIE, Cable |
| 1059 | 698516 | | KIT, Screw/Washer -(Alternator) |
| 1090 | 691293 | | RETAINER, Brush |
| 1119 | 691183 | | SCREW -(Alternator) |

Head, Valve Gaskets, Oil Filter, Dipstick

Mfg. No: 287707-0153-01

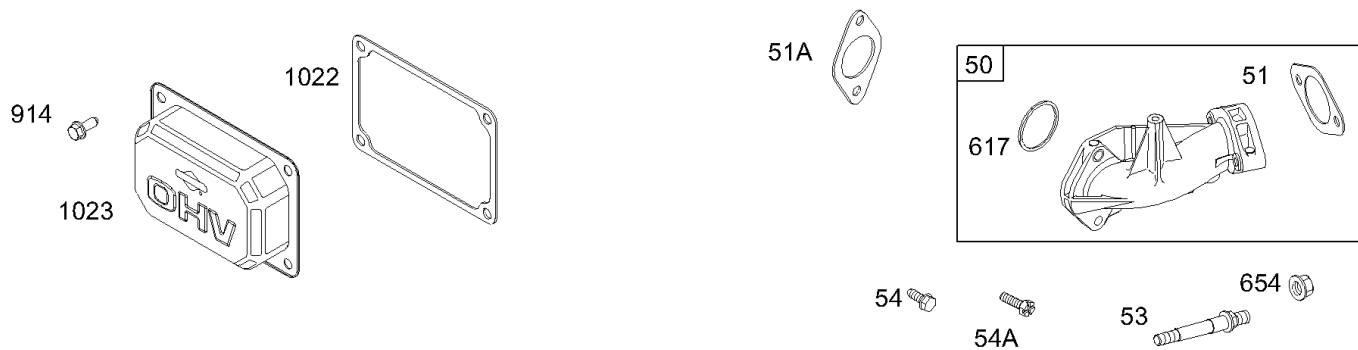
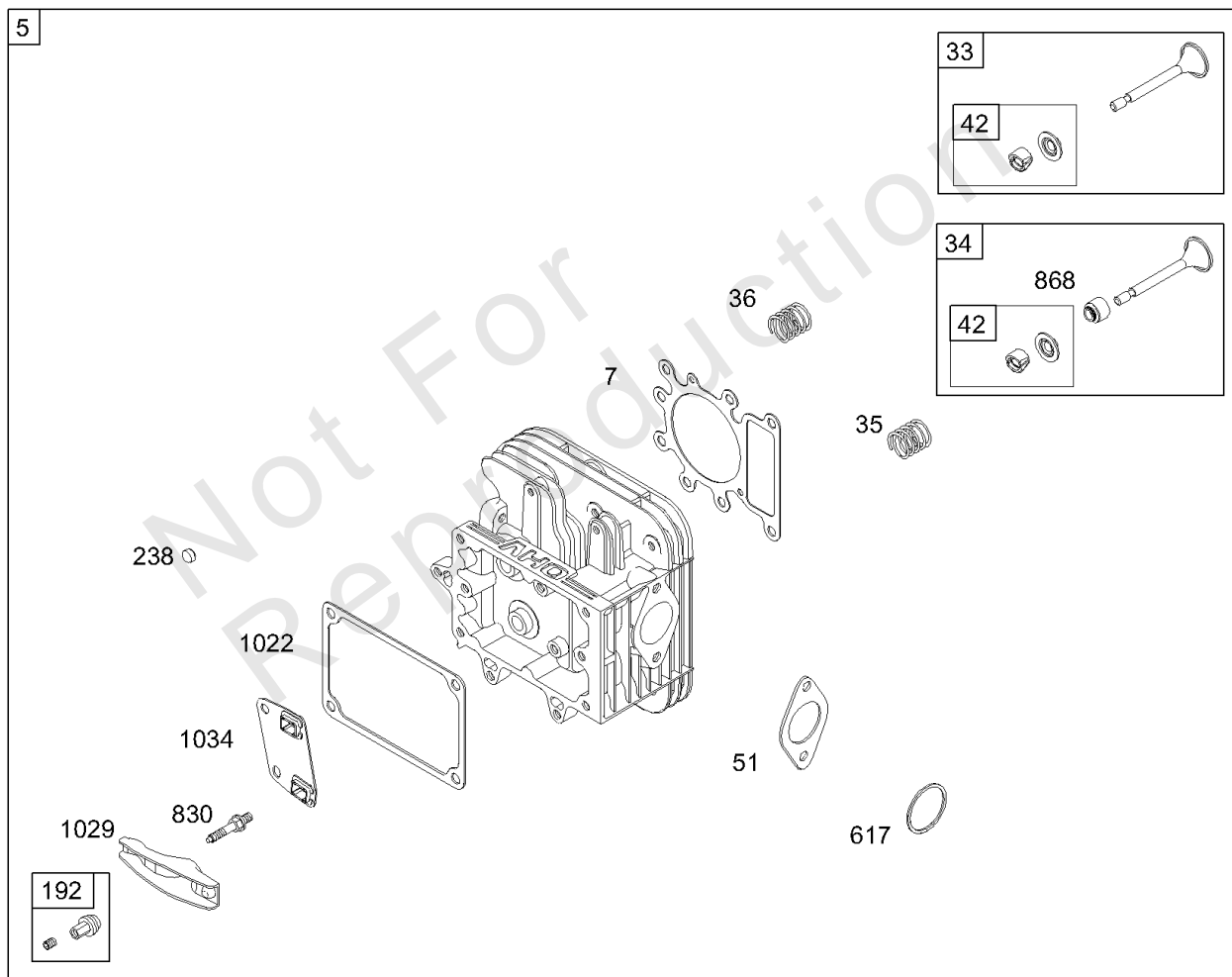
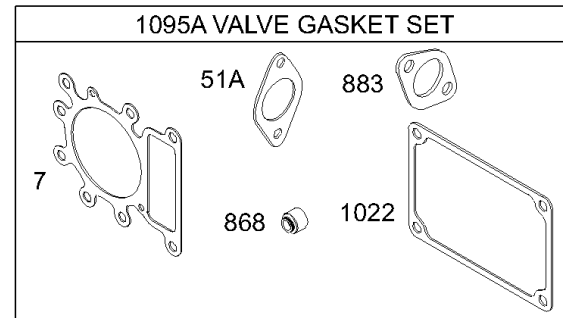
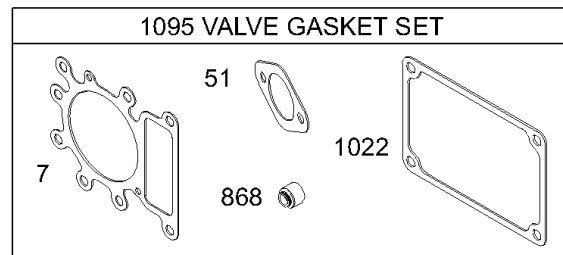
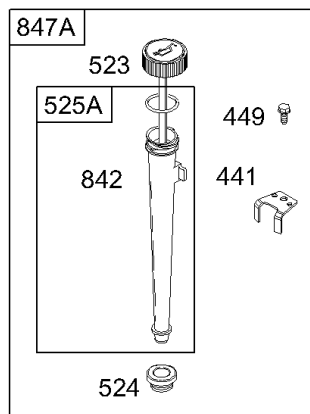
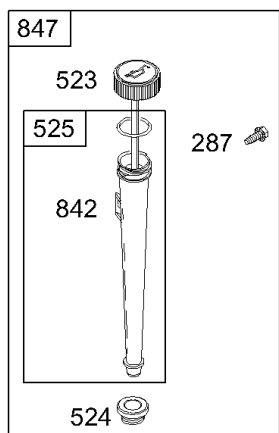
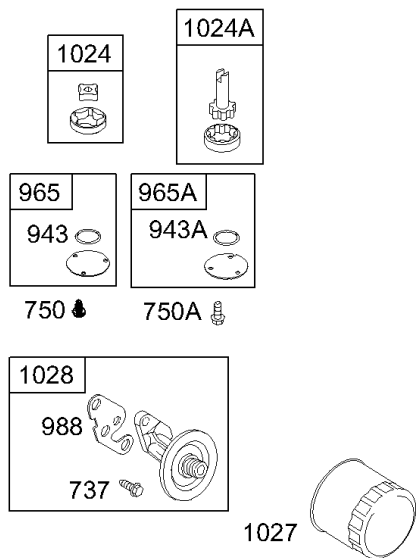


Head, Valve Gaskets, Oil Filter, Dipstick

| REF NO | PART NO | QTY | DESCRIPTION |
|--------|----------|-----|---|
| 5 | 698148 | | HEAD, Cylinder |
| 7 | 273280S | | GASKET, Cylinder Head |
| 13 | 690360 | | SCREW -(Cylinder Head) |
| 33 | 695760 | | VALVE, Exhaust |
| 34 | 695761 | | VALVE, Intake |
| 35 | 691279 | | SPRING, Valve -(Intake) |
| 36 | 691279 | | SPRING, Valve -(Exhaust) |
| 42 | 499586 | | KEEPER, Valve |
| 45 | 690564 | | TAPPET, Valve |
| 50 | 690193 | | MANIFOLD, Intake |
| 51 | 692137 | | GASKET-INTAKE |
| 51A | 272569S | | GASKET, Intake |
| 53 | 690227 | | STUD -(Carburetor) |
| 54 | 691148 | | SCREW -(Intake Manifold) (1" Long) -Used After Code Date 97100500 |
| 54A | 690953 | | SCREW -(Intake Manifold) (3/4) -Used Before Code Date 97100600 |
| 192 | 691986 | | ADJUSTER, Rocker Arm |
| 238 | 691843 | | CAP, Valve |
| 287 | 691002 | | SCREW -(Dipstick Tube) |
| 337 | 491055S | | PLUG, Spark -(Resistor) |
| 337 | 84007216 | 1 | PLUG, SPARK -(China Only) |
| 383 | 89838S | | WRENCH-SPARK PLUG |
| 441 | 224390 | | BRACKET, Oil Fill |
| 449 | 690664 | | SCREW -(Oil Fill Bracket) |
| 523 | 692014 | | DIPSTICK |
| 524 | 281370S | | SEAL-DIPSTICK TUBE -(Dipstick Tube) |
| 525 | 691398 | | TUBE, Dipstick |
| 525A | 495768 | | TUBE, Dipstick |
| 617 | 692138 | | SEAL, O-Ring -(Intake Manifold) -Used After Code Date 97100500 |
| 635 | 691909 | | BOOT, Spark Plug |
| 654 | 690958 | | NUT -(Carburetor) |
| 737 | 690372 | | SCREW -(Oil Filter Adapter) |
| 750 | 691033 | | SCREW -(Oil Pump Cover) -Used After Code Date 98063000 |
| 750A | 692198 | | SCREW -(Oil Pump Cover) -Used Before Code Date 98070100 |
| 830 | 691095 | | STUD, Rocker Arm |
| 842 | 691870 | | SEAL, O-Ring -(Dipstick Tube) |
| 847 | 496415 | | DIPSTICK/TUBE ASSEMBLY |

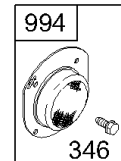
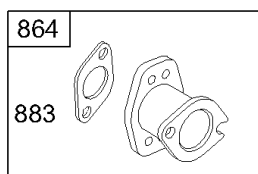
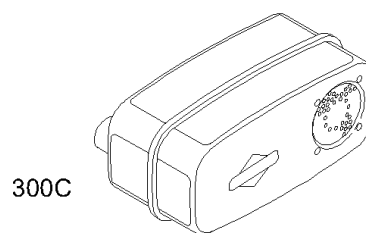
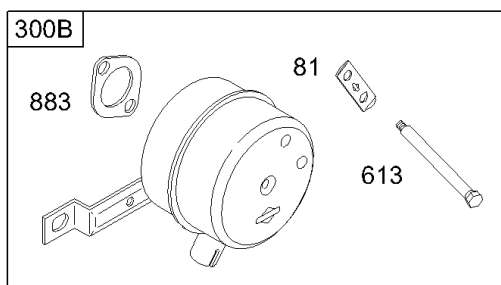
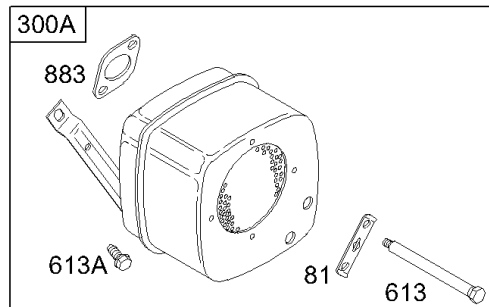
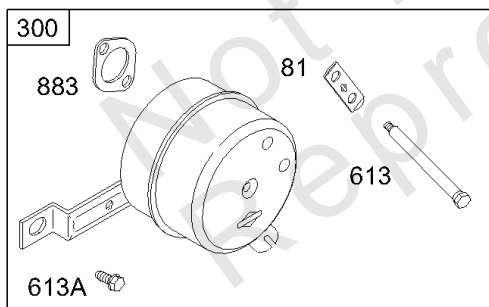
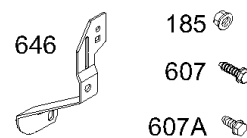
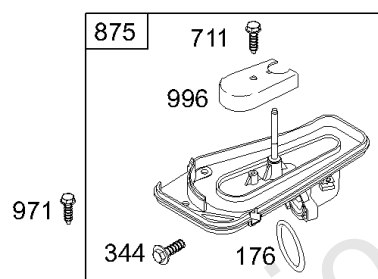
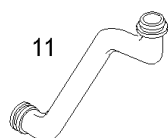
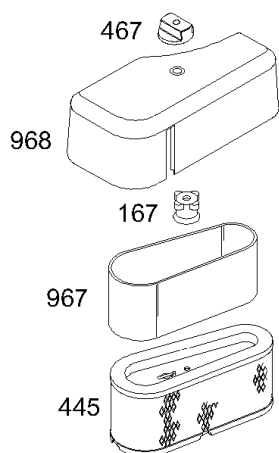
Head, Valve Gaskets, Oil Filter, Dipstick

Mfg. No: 287707-0153-01



Head, Valve Gaskets, Oil Filter, Dipstick

| REF NO | PART NO | QTY | DESCRIPTION |
|--------|---------|-----|--|
| 847A | 490474 | | DIPSTICK/TUBE ASSEMBLY |
| 868 | 690968 | | SEAL, Valve |
| 883 | 692236 | | GASKET, Exhaust |
| 914 | 691108 | | SCREW -(Rocker Cover) |
| 943 | 690589 | | SEAL, O-Ring -(Oil Pump Cover) -Used After Code Date 98063000 |
| 943A | 690604 | | SEAL, O-Ring -(Oil Pump Cover) -Used Before Code Date 98070100 |
| 965 | 499613 | | COVER, Oil Pump -Used After Code Date 98063000 |
| 965A | 496745 | | COVER, Oil Pump -Used Before Code Date 98070100 |
| 988 | 691317 | | GASKET, Oil Adapter |
| 1022 | 272475S | | GASKET, Rocker Cover |
| 1023 | 691192 | | COVER, Rocker |
| 1024 | 499054 | | PUMP, Oil -Used After Code Date 98063000 |
| 1024A | 493884 | | PUMP-OIL -Used Before Code Date 98070100 |
| 1026 | 692003 | | ROD, Push -(Intake) |
| 1026 | 692011 | | ROD, Push -(Exhaust) |
| 1027 | 492932S | | FILTER, Oil |
| 1028 | 496744 | | ADAPTER, Oil Filter |
| 1029 | 691751 | | ARM, Rocker |
| 1034 | 690822 | | GUIDE, Push Rod |
| 1095 | 691581 | | GASKET SET, Valve -Used After Code Date 97100500 |
| 1095A | 495992 | | GASKET SET, Valve -Used Before Code Date 97100600 |



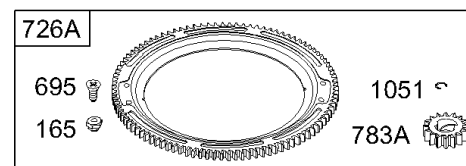
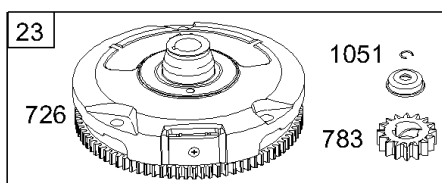
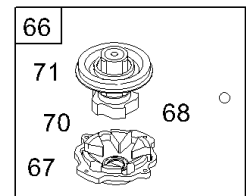
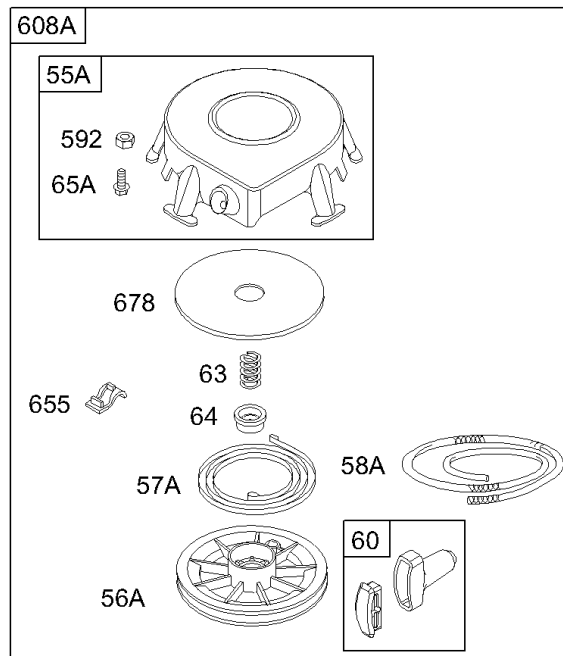
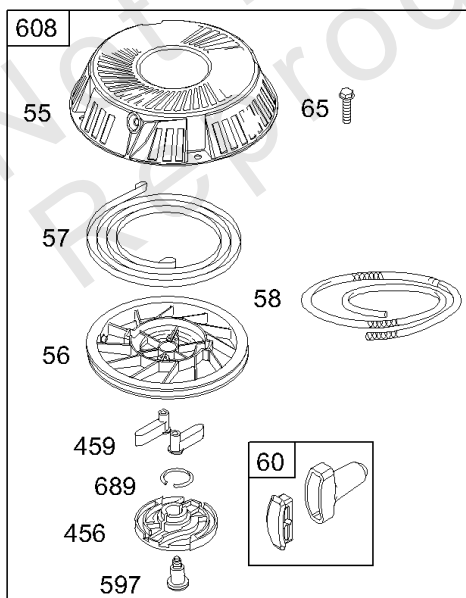
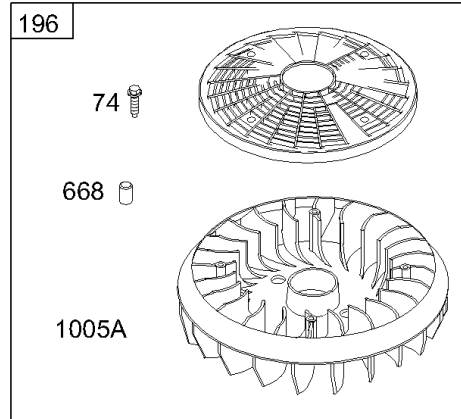
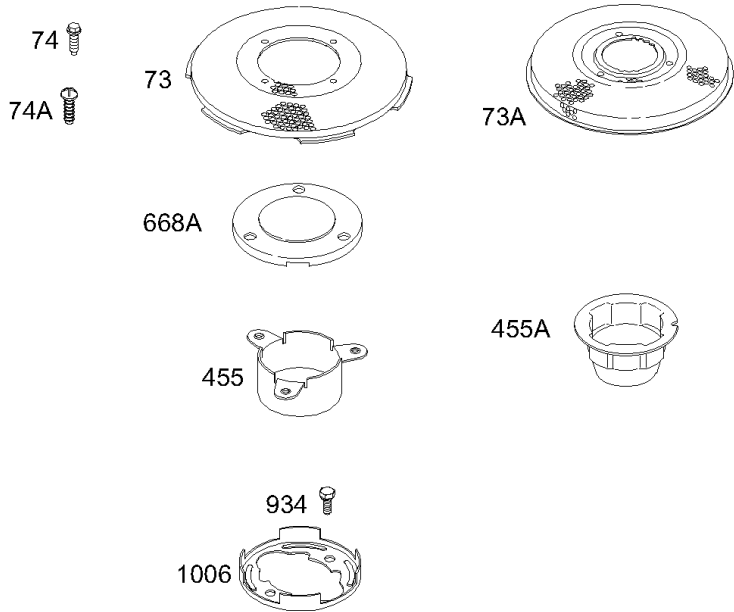
Muffler, Air Cleaner

| REF NO | PART NO | QTY | DESCRIPTION |
|--------|---------|-----|---|
| 11 | 691328 | | TUBE, Breather |
| 81 | 691178 | | LOCK, Muffler Screw |
| 167 | 692297 | | SEAL-A/C NUT |
| 176 | 691917 | | SEAL, O-Ring -(Air Cleaner Base) |
| 185 | 690958 | | NUT -(Air Cleaner Base) |
| 300 | 495805S | | MUFFLER |
| 300A | 496022S | | MUFFLER |
| 300B | 495882 | | MUFFLER |
| 300C | 498984S | | MUFFLER |
| 344 | 693675 | | SCREW -(Cable Clamp) |
| 346 | 690661 | | SCREW -(Spark Arrestor) |
| 445 | 496894S | | FILTER-A/C CARTRIDGE |
| 467 | 691668 | | KNOB, Air Cleaner Cover |
| 607 | 691693 | | SCREW -(Air Cleaner Brace) (3/8" Long) |
| 607A | 690703 | | SCREW -(Air Cleaner Brace) (7/16) |
| 613 | 691416 | | SCREW -(Muffler) |
| 613A | 691678 | | SCREW -(Muffler) (Muffler Bracket) |
| 613B | 690297 | | SCREW -(Muffler) (Muffler Bracket) |
| 646 | 690460 | | BRACE, Air Cleanr |
| 676 | 393761 | | DEFLECTOR, Muffler -(Side Outlet) |
| 677 | 690661 | | SCREW -(Muffler Deflector) |
| 711 | 690703 | | SCREW -(Carburetor Shield) |
| 823 | 698941 | | SCREW -(Muffler Adapter) |
| 864 | 697346 | | ADAPTER, Muffler |
| 875 | 696129 | | BASE, Air Cleaner -(Plastic) |
| 883 | 692236 | | GASKET, Exhaust |
| 967 | 272403S | | FILTER-PRE CLEANER |
| 968 | 691916 | | COVER, Air Cleaner |
| 971 | 690810 | | SCREW -(Air Cleaner Base to Carburetor) -Used Before Code Date 97100600 |
| 971 | 692129 | | SCREW -(Air Cleaner Base to Carburetor) -Used After Code Date 97100500 |
| 994 | 392390 | | ARRESTOR, Spark |
| 996 | 690678 | | SHIELD, Carburetor |

Replacement Engine - US & Canada

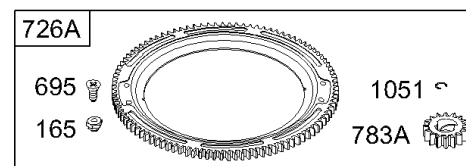
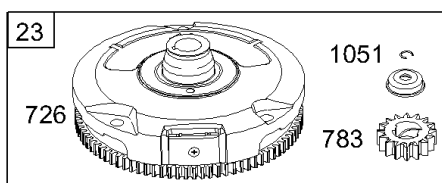
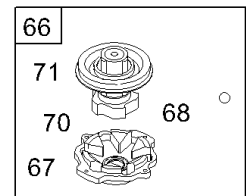
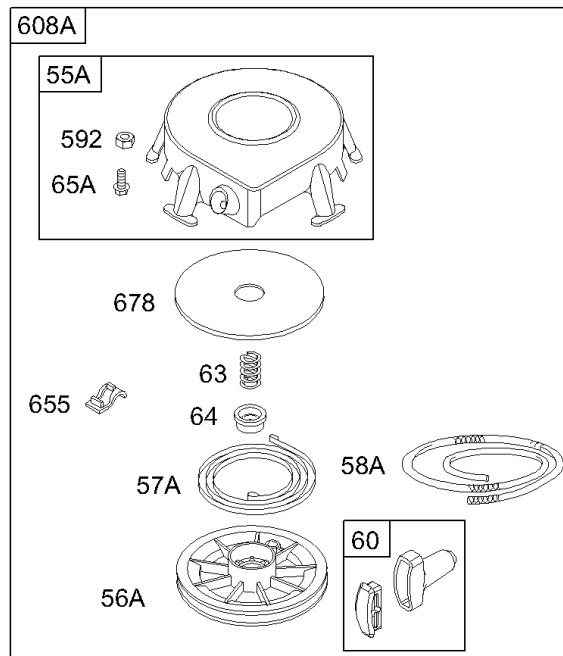
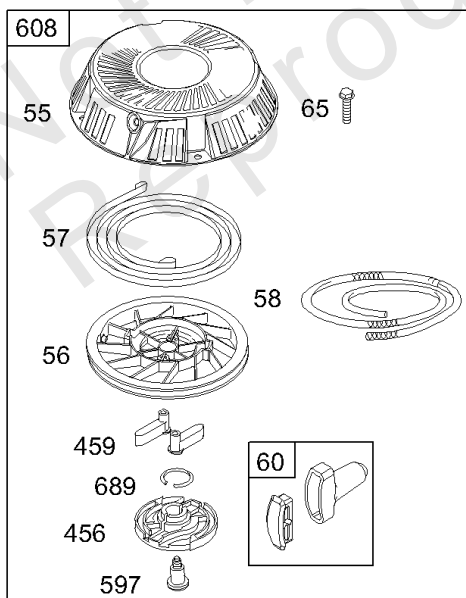
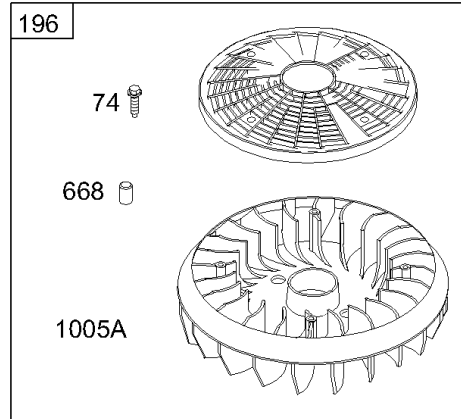
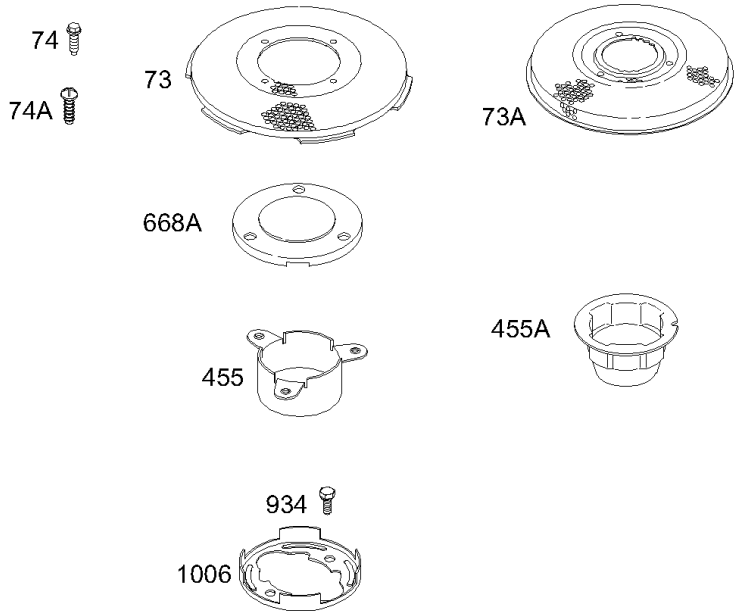
| REF NO | PART NO | QTY | DESCRIPTION |
|--------|------------|-----|--|
| | 31A6070026 | 1 | Replacement Engine |
| | 697761 | 1 | Replacement Short Block |
| | ----- | | Top No-Load Speed: 3300 -Trim: ALL |
| | ----- | | Service Note: If the replacement engine supersedes to or is a Model 310000 series engine, refer to the illustrations located after the conversion data for this model series. The overall dimensions which differ, are shown in the illustrations. |
| | ----- | | Service Note: If after making a visual inspection and it is determined the Model 310000 series engine cannot be used because of equipment interference, the original engine should be repaired with a short block and/or individual parts. |
| | ----- | | Short Block Note: If repair would also require the Cylinder Head Assembly Order Short Block Part Number 791116. |

Not For Reproduction



Rewind Starter/Fan, Flywheel

| REF NO | PART NO | QTY | DESCRIPTION |
|--------|---------|-----|--|
| 23 | 693557 | | FLYWHEEL -(Steel Ring Gear) |
| 55 | 695130 | | HOUSING, Rewind Starter |
| 55A | 393576 | | HOUSING, Rewind Starter |
| 56 | 695129 | | PULLEY, Starter |
| 56A | 295871 | | PULLEY, Starter -(63 Rope) |
| 57 | 695131 | | SPRING, Rewind Starter |
| 57A | 490179 | | SPRING-REWIND STR |
| 58 | 695132 | | ROPE, Starter -(59" Long) |
| 58A | 692188 | | ROPE, Starter -(63) |
| 60 | 494212 | | GRIP, Starter Rope |
| 63 | 690547 | | SPRING, Ratchet |
| 64 | 691920 | | ADAPTER, Ratchet Spring |
| 65 | 695453 | | SCREW -(Rewind Starter) (3/8) |
| 65A | 690837 | | SCREW -(Rewind Starter) |
| 66 | 399671 | | CLUTCH-STARTER -Used Before Code Date 99102500 |
| 67 | 394897 | | HOUSING, Clutch |
| 68 | 691604 | | BALL, Clutch |
| 70 | 691945 | | RATCHET-CLUTCH |
| 71 | 691359 | | COVER, Ratchet |
| 73A | 691748 | | SCREEN-ROTATING |
| 74 | 691627 | | SCREW -(Rotating Screen) (7/16) |
| 74A | 691655 | | SCREW -(Rotating Screen) (13/32) |
| 165 | 693148 | | NUT -(Ring Gear) |
| 196 | 695493 | | FAN/SCREEN ASSEMBLY |
| 363 | 19203 | | PULLER, Flywheel |
| 455 | 691173 | | CUP, Flywheel |
| 455A | 695113 | | CUP, Flywheel |
| 456 | 695128 | | PLATE, Pawl Friction |
| 459 | 281505S | | PAWL-RATCHET |
| 592 | 690800 | | NUT -(Rewind Starter) |
| 597 | 691696 | | SCREW -(Pawl Friction Plate) |
| 608 | 695058 | | STARTER, Rewind -Used After Code Date 99102400 |
| 608A | 390391 | | STARTER, Rewind -Used Before Code Date 99102500 |
| 655 | 691734 | | ANCHOR-REWIND SPRING |
| 668 | 690510 | | SPACER -(FAN/SCREEN ASSEMBLY) |
| 668A | 691323 | | SPACER -(Flywheel Cup) |
| 678 | 490817 | | SPACER-REWIND -(Rewind) |
| 689 | 691855 | | SPRING-FRICTION |
| 695 | 693109 | | SCREW -(Ring Gear) |



Rewind Starter/Fan, Flywheel

| REF NO | PART NO | QTY | DESCRIPTION |
|--------|---------|-----|--|
| 726 | ----- | | Gear-Ring -(Steel)(See Reference 23 for Service) |
| 726A | 696537 | | GEAR, Ring -(Aluminum)(Services Plastic Ring Gear Only) |
| 783 | 693713 | | GEAR, Pinion -(Steel Ring Gear Only) |
| 783A | 695708 | | GEAR-PINION -(Aluminum And Plastic Ring Gears) |
| 934 | 690372 | | SCREW -(Fan Retainer) |
| 1005 | 691905 | | FAN, Flywheel |
| 1005A | 697853 | | FAN, Flywheel |
| 1005B | 695056 | | FAN, Flywheel |
| 1006 | 690452 | | RETAINER, Fan |
| 1051 | 691265 | | RING, Retaining |

Not For Reproduction

