

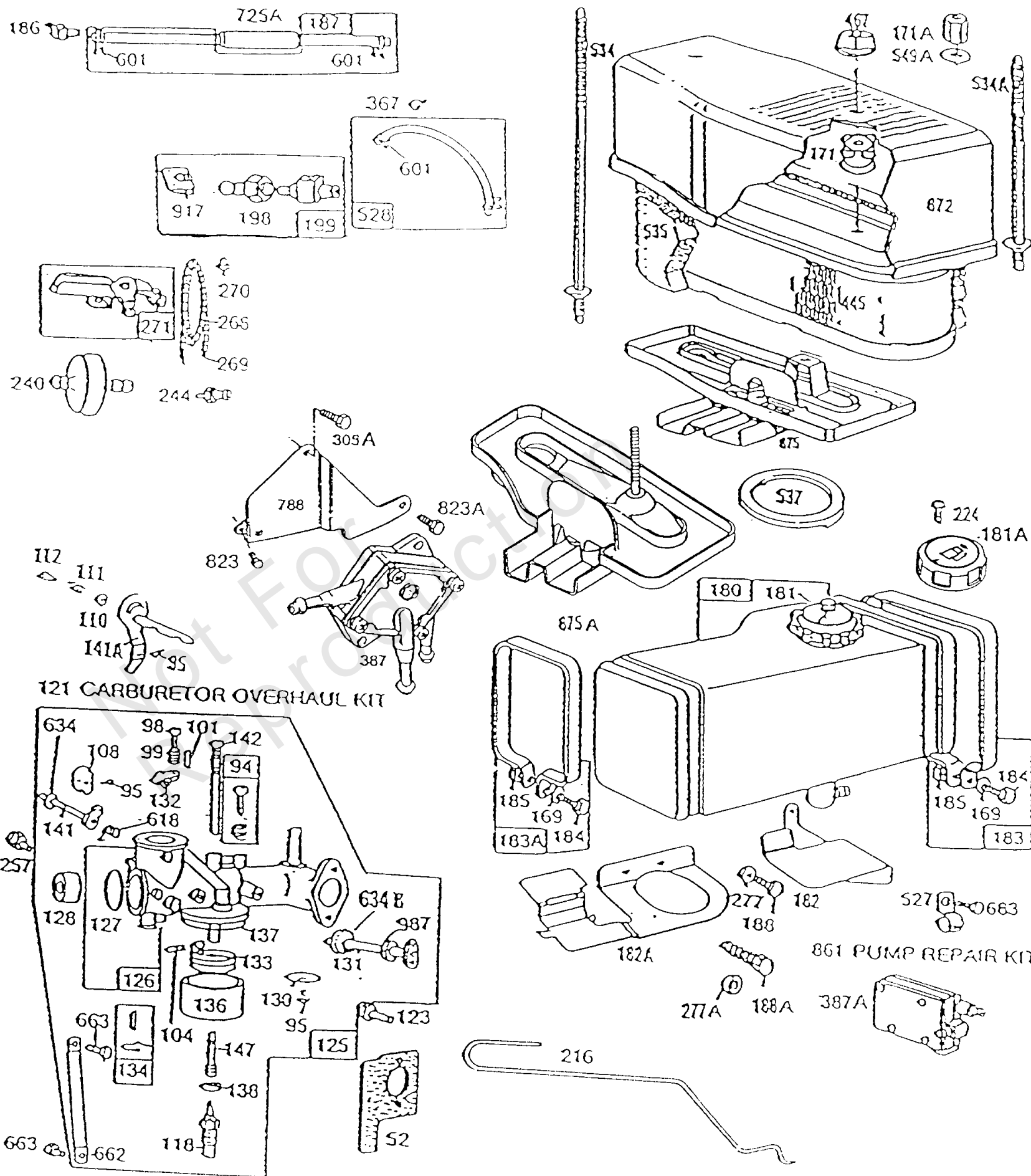


Parts Manual

Mfg. No: 281707-0412-01

Model Components	Page
Air Cleaner,Carburetor,Fuel.....	4
Alternator Chart.....	10
Cyl,Sump,Piston,Oil Fill.....	12
Electric Starter and Chart.....	20
Mufflers,Rewind,Flywheels.....	22
Replacement Engine - Europe, Middle East & Africa.....	26
Replacement Engine - US & Canada.....	27

Not For
Reproduction

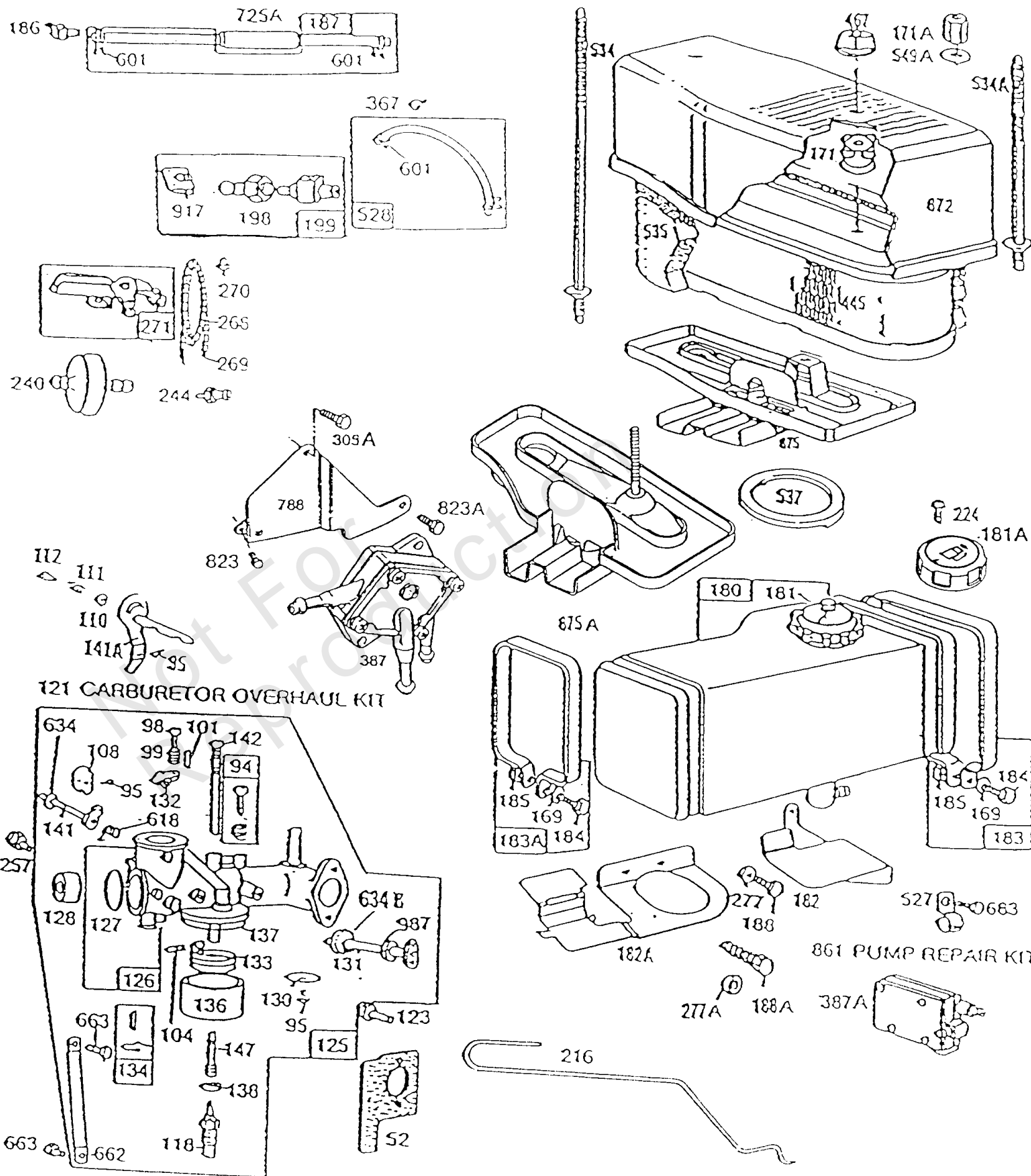


121 CARBURETOR OVERHAUL KIT

861 PUMP REPAIR KIT

Air Cleaner, Carburetor, Fuel

REF NO	PART NO	QTY	DESCRIPTION
52	272554		GASKET, Intake -Included in Gasket Set-Part No. 490525
94	292681		VALVE, Idle Mixture -Included in Carburetor Overhaul Kit-Part No. 394698
95	93499		SCREW -(Throttle Valve)
98	91920		SCREW -(8-32 X 5/8)
99	26157		SPRING, Compression
101	93043		PIN, Shaft
104	230896		PIN, Float Hinge -Included in Carburetor Overhaul Kit-Part No. 394698
108	222010		VALVE, Choke
110	220899		WASHER -(Choke Lever)
111	26229		SPRING, Choke Return
112	23270		SCREW -(Choke Lever)
118	396568		VALVE, Float Needle -Includes: 22235 Washer-Brass 26336 Spring 65978 O-Ring 230590 Nut-Hex.
121	394698		KIT, Carburetor Overhaul
123	93357		SCREW
125	491031		CARBURETOR -(Choke-A-Matic)
126	490473		BODY, Carburetor
127	221997		PLUG, Welch -Included in Carburetor Overhaul Kit-Part No. 394698
128	211960		VENTURI, Carburetor
130	222433		VALVE, Throttle
131	491006		KIT, Throttle Shaft
132	211712		STOP, Throttle
133	299707		FLOAT, Carburetor
134	394681		KIT, Needle/Seat -(Gravity Feed) Included in Carburetor Overhaul Kit-Part No. 394698
134	394683		KIT, Needle/Seat -(Pump Feed)
136	221995		BOWL, Float
137	270511		GASKET, Float Bowl -Included in Carburetor Overhaul Kit-Part No. 394698
138	222014		WASHER -(Float Bowl) Included in Carburetor Overhaul Kit-Part No. 394698
141A	299647		SHAFT, Choke
141	390684		SHAFT, Choke -(Choke-A-Matic)
142	299740		NOZZLE, Carburetor -Included in Carburetor Overhaul Kit-Part No. 394698
147	231323		SCREW -(Nozzle) Included in Carburetor Overhaul Kit-Part No. 394698
169	90832		SCREW -(Blower Housing)
171A	231532		NUT -(Air Cleaner)
171	281051		NUT
180	390225		TANK, Fuel -(3 Quart) (Plastic)
181	397975		CAP, Fuel Tank -(Plastic) (2 1/4 I.D.)



121 CARBURETOR OVERHAUL KIT

861 PUMP REPAIR KIT

Air Cleaner, Carburetor, Fuel

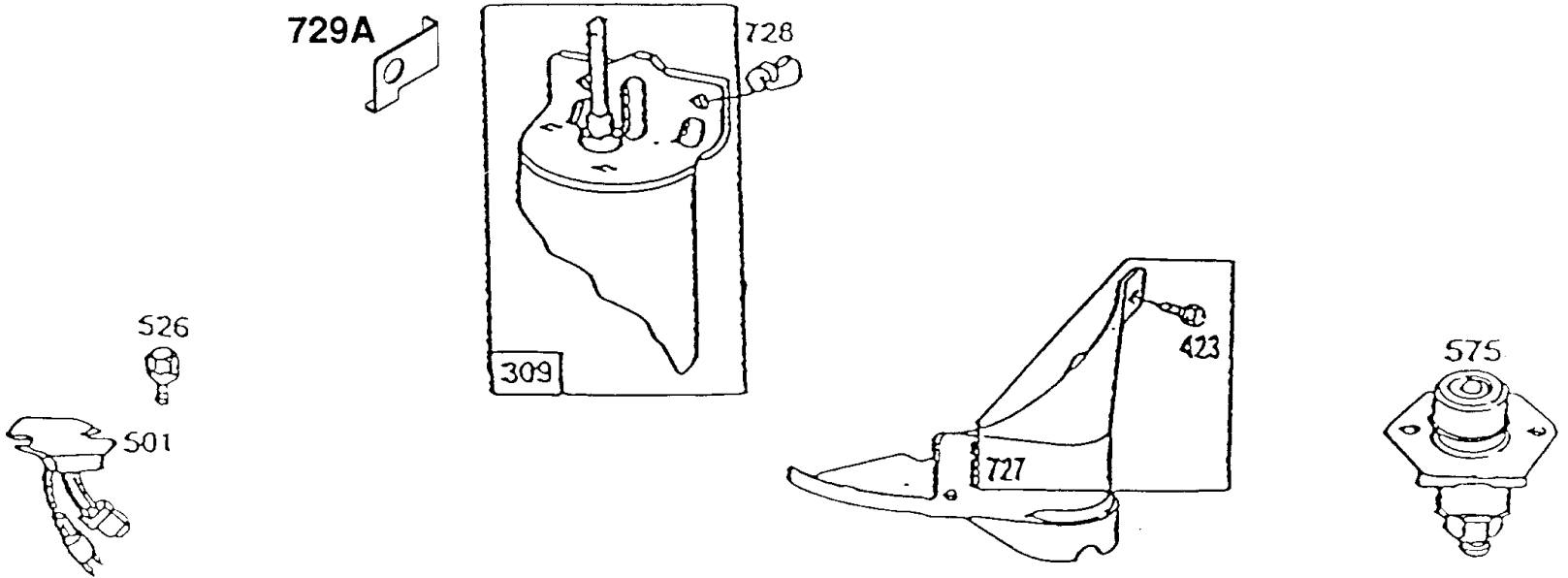
REF NO	PART NO	QTY	DESCRIPTION
182A	223866		BRACKET, Fuel Tank -(L.H.)
182	223925		BRACKET, Fuel Tank -(R.H.)
183A	390405		STRAP, Fuel Tank -(L.H.)
183	390406		STRAP, Fuel Tank -(R.H.)
184	93803		SCREW
185	90970		NUT -(1/4-20)
186	67218		CONNECTOR, Hose
187	299146		LINE, Fuel -(Cut To Required Length)
187	393815		HOSE, Vacuum -(Cylinder To Impulse Pump)(Cut To Required Length)
188A	93634		SCREW -(5/16-18 X 7/8)
188	93535		SCREW -(5/16-18 X 3/4)
198	293934		VALVE, Fuel Shut Off
199	399949		OUTLET, Tank
216	261610		LINK, Choke
224	94018		SCREW
240	298090		FILTER, Fuel
240	394358		FILTER, Fuel -(Fuel Pump)
244	230318		CONNECTOR, Hose
257	93543		SCREW -(10-32 X 3/8)
268	65616		CASING, Control Wire -(Cut To Required Length)
269	26633		WIRE, Control -(Cut To Required Length) If Longer Wire is Required, Specify Length in Inches; if Shorter Wire is Needed, Order Part No. 26633 and Cut to Required Length.
270	63426		NUT -(Control Wire Casing)
271	290568		LEVER, Control
277A	22963		WASHER
277	22776		WASHER
367	93380		SCREW
387A	390818		PUMP, Fuel
387	491922		PUMP, Fuel
445	399806		FILTER, A/C Cartridge
467	212706		KNOB, Choke Shaft
527	221428		CLAMP, Tube
528	393815		HOSE, Vacuum -(Cylinder To Impulse Pump)(Cut To Required Length)
534A	94246		STUD -(Air Cleaner)
534	94248		STUD -(Air Cleaner)
535	271962		FILTER, Air Cleaner Foam
537	270853		GASKET, Air Cleaner -(Air Cleaner)
601	93053		CLAMP, Hose -(Green)

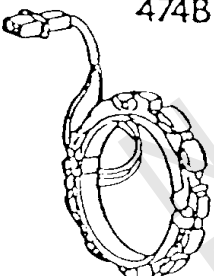
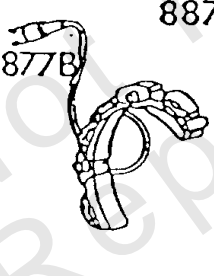
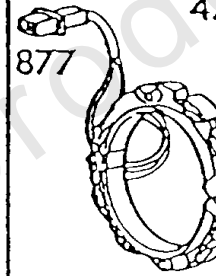
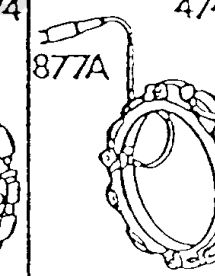
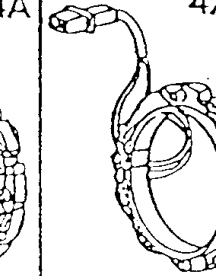
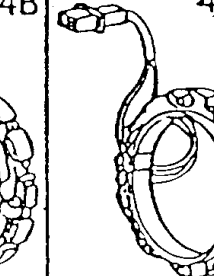
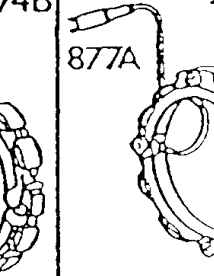
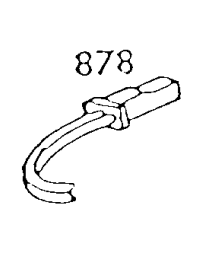
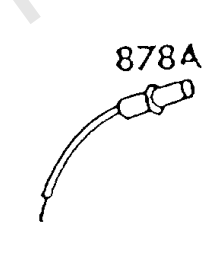
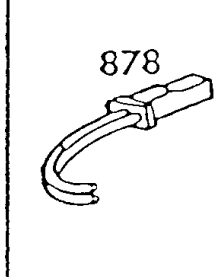
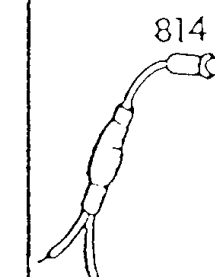
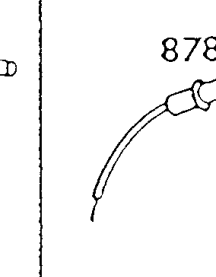
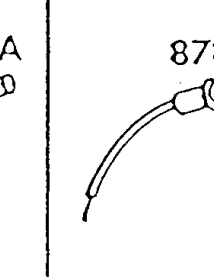
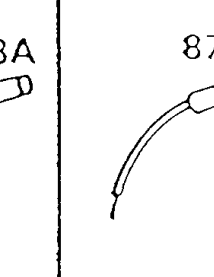
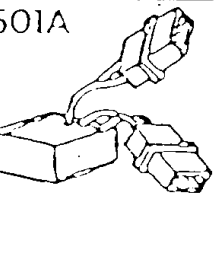
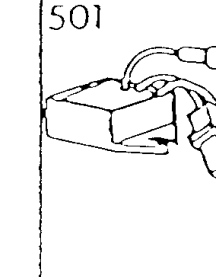
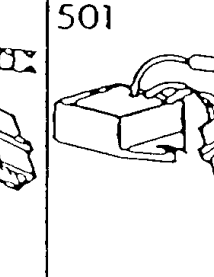
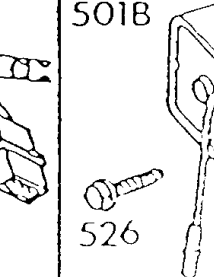
Air Cleaner, Carburetor, Fuel

REF NO	PART NO	QTY	DESCRIPTION
618	261116		SPRING, Choke Return
634B	271853		WASHER -(Foam)
634	270382		WASHER -(Foam)
662	224440		BRACKET, Support
663	93572		SCREW -(10-32 X 3/8)
683	93572		SCREW -(10-32 X 3/8)
725A	222175		SHIELD, Heat
788	224431		BRACKET, Fuel Pump
823A	93559		SCREW -(Tank) (Fuel Tank)
823	93705		SCREW -(8-32 X 3/8)
861	394462		KIT, Fuel Pump -(Use With Pump 390818 Only)
872	223700		COVER, Air Cleaner
875A	491877		BASE, Air Cleaner
875	490332		BASE, Air Cleaner
917	223271		VALVE, Handle Shutoff
987	398970		SEAL, Throttle Shaft -(Lmt 46, 49, 50, 51, 53, 86)

Alternator Chart

Mfg. No: 281707-0412-01



QUAD CIRCUIT	DC ONLY	DUAL CIRCUIT	TRI-CIRCUIT	10 AMP	16 AMP	9 AMP
23	23	23	23	23	Note Under Ref. 23 and 726.	Note Under Ref. 23 and 726.
 474B	 887	 474	 474A	 474B	 474B	 474A
 878	 878A	 878	 814	 878A	 878A	 878A
 501A				 501	 501	 501B

Note: All stators use No. 482 Mtg. Screw.

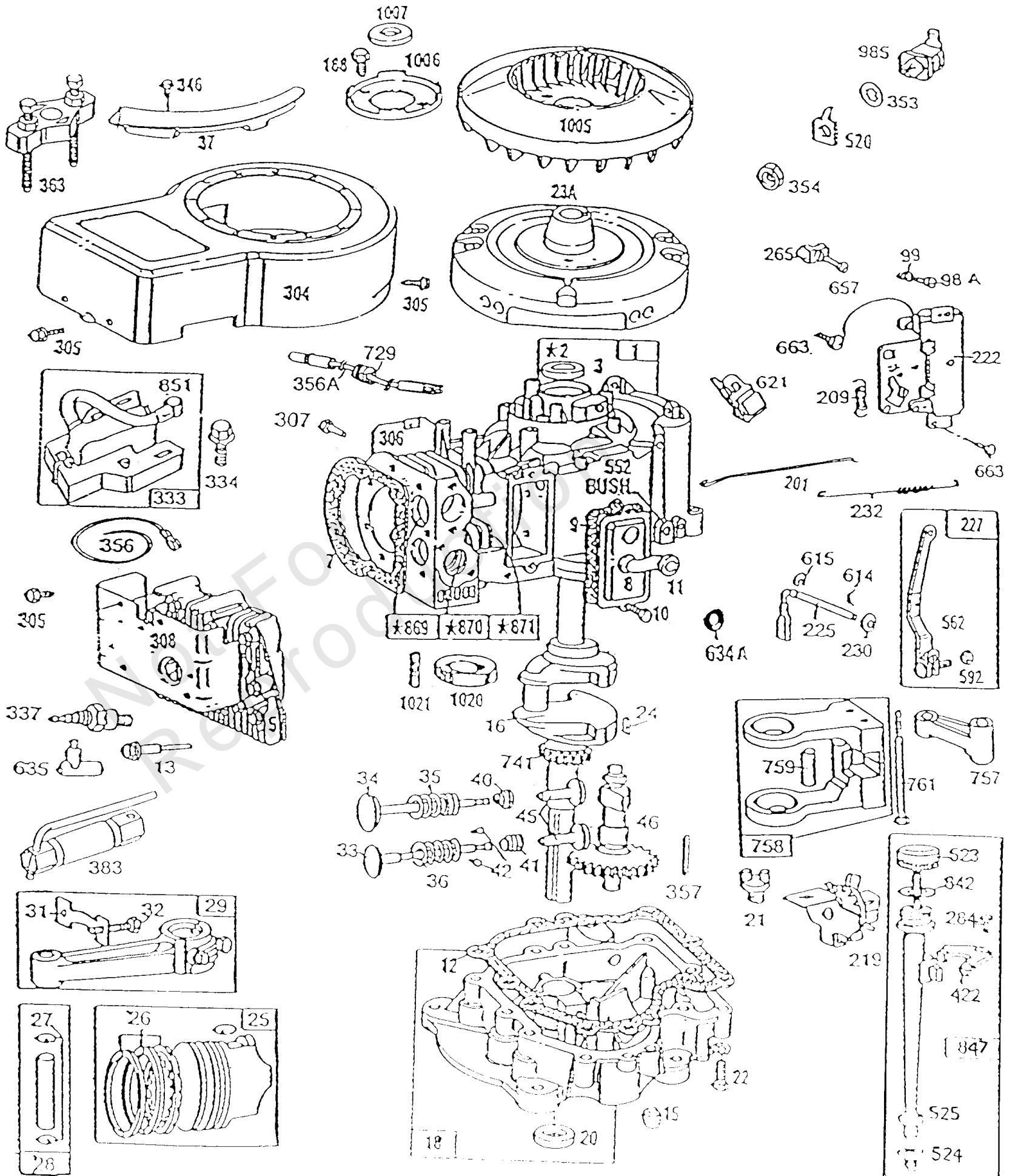


Alternator Chart

REF NO	PART NO	QTY	DESCRIPTION
23	492325		FLYWHEEL -(16 Amp) -Used After Code Date 88090500
23	492326		FLYWHEEL
309	394805		MOTOR, Starter -(3 1/16 Housing)
309	399169		MOTOR, Starter -(4 9/16 Housing)
309	490420		MOTOR, Starter -(4 3/8 Housing) (Briggs & Stratton 12V)
423	94625		SCREW
474B	393295		ALTERNATOR -(10, 13, or 16 Amp-Depending on Size of Flywheel Magnets) (Regulated)
474A	392595		ALTERNATOR -(Tri Circuit) (9 Amp Regulated)
474	393474		ALTERNATOR -(Dual Circuit)
482	93621		SCREW -(Tapping)
501B	491546		REGULATOR -(9 Amp)
501A	397809		REGULATOR
501	394890		REGULATOR -(10, 13, or 16 Amp, Depending on Size of Flywheel Magnets)
526	93343		SCREW -(Control Panel)
575	299139		SWITCH, Starting
727	490324		COVER, Starter Drive -(Includes Mounting Hardware)
728	93535		SCREW -(5/16-18 X 3/4)
729A	224723		CLIP, Wire
814	392606		HARNESS, Alternator -(Tri Circuit)
877B	393814		WIRE/CONNECTOR, Alternator -(10 Amp Regulated)
877A	393537		WIRE/CONNECTOR, Alternator -(Tri Circuit) (9 Amp)
877	393456		WIRE/CONNECTOR, Alternator
878A	393422		WIRE ASSEMBLY -(Dc Only)
878	393362		HARNESS, Alternator -(Dual Circuit)
887	391529		ALTERNATOR -(DC Only)

Cyl,Sump,Piston,Oil Fill

REF NO	PART NO	QTY	DESCRIPTION
1	490450		CYLINDER ASSEMBLY
2	399265		KIT, Bushing/Seal -(Magneto Side)
3	391086		SEAL, Oil -(Magneto Side)
7	271866		GASKET, Cylinder Head -Included in Gasket Set-Part No. 490525
8	391406		BREATHER ASSEMBLY
9	27803		GASKET, Rocker Cover -Included in Gasket Set-Part No. 490525
10	94621		SCREW -(Breather Assembly)
11	280100		TUBE, Breather
12	271916		GASKET, Crankcase -(.015) Included in Gasket Set-Part No. 490525
12	271996		GASKET, Crankcase -(.009) Included in Gasket Set-Part No. 490525
12	271997		GASKET, Crankcase -(.005) Included in Gasket Set-Part No. 490525
13	93723		SCREW -(3)
15	91084		PLUG, Oil Drain -(3/8)
16	490466		CRANKSHAFT -Order Part No. 94196 For Timing Gear Key.
18	490452		SUMP, Engine
20	291675		SEAL, Oil -(Crankcase Cover)
21	66768		PLUG, Oil
22	94305		SCREW
23A	490428		FLYWHEEL -Used Before Code Date 88090600
23A	492135		FLYWHEEL -(Rewind Starter)
24	222698		KEY, Flywheel
25	394661		PISTON ASSEMBLY -(Standard)
25	394662		PISTON ASSEMBLY -(.010 Oversize)
25	394663		PISTON ASSEMBLY -(.020 Oversize)
25	394664		PISTON ASSEMBLY -(.030 Oversize)
26	394665		SET, Ring -(Standard)
27	260924		LOCK, Piston Pin
28	299691		PIN, Piston -(Standard)
28	391286		PIN, Piston -(.005 Oversize)
29	490348		ROD, Connecting -For Connecting Rod With .020 Undersize Crankpin Bore-Order Part No. 490469
31	222299		LOCK, Rod Screw
32	92909		SCREW
33	262246		VALVE, Exhaust
34	262247		VALVE, Intake
35	65906		SPRING, Valve -(Intake)



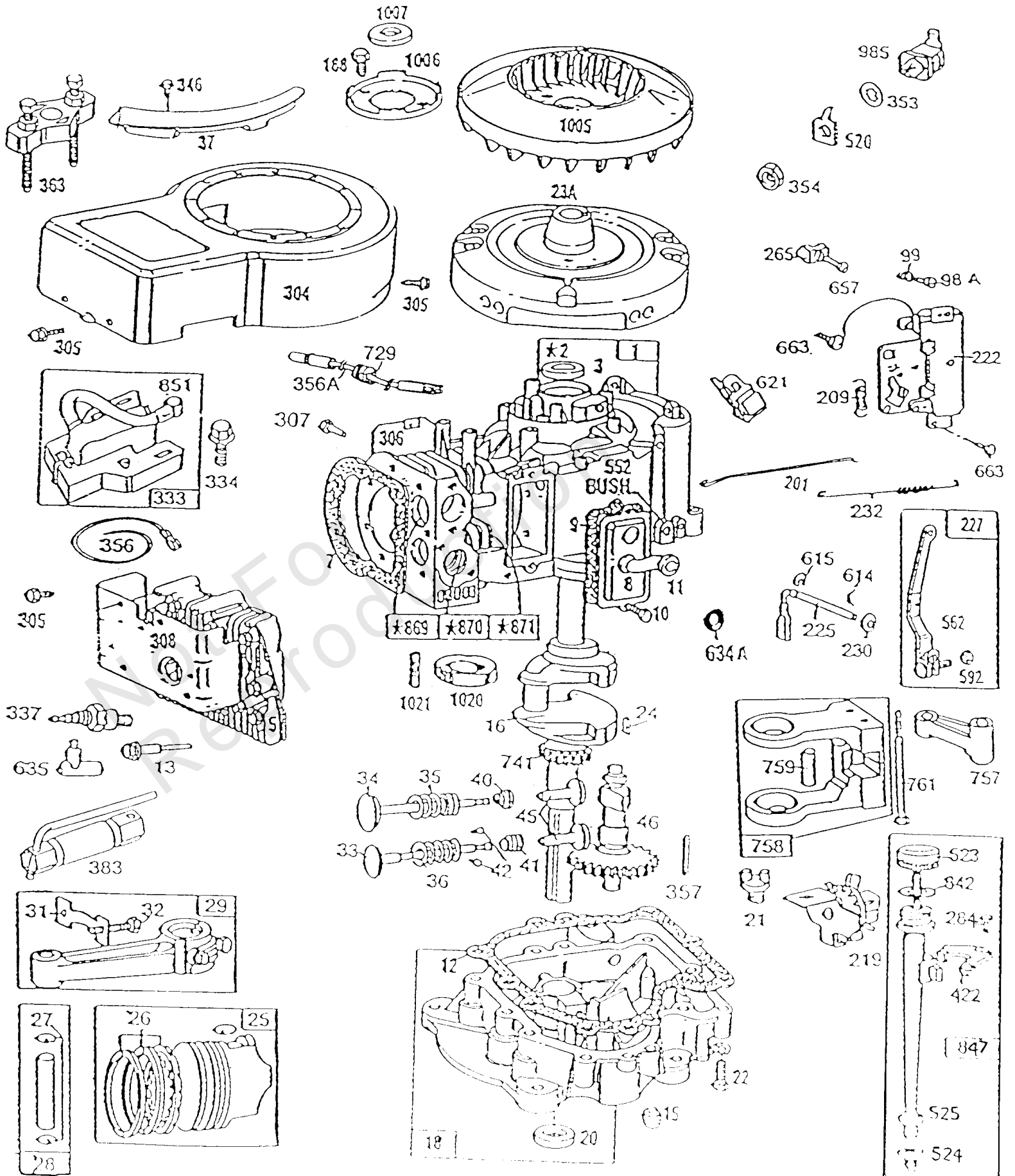
* REQUIRES SPECIAL TOOLS TO INSTALL.
SEE REPAIR INSTRUCTION MANUAL.

358 GASKET SET

1019 LABEL KIT

Cyl,Sump,Piston,Oil Fill

REF NO	PART NO	QTY	DESCRIPTION
36	26828		SPRING, Valve -(Exhaust)
37	223752		GUARD, Flywheel
40	221596		RETAINER, Valve -(Valves With Groove In Stem)
41	292260		RETAINER, Valve -(Exhaust Valve) (Exhaust)
42	93630		KEEPER, Valve -(2)
45	262248		TAPPET, Valve
46	212897		CAMSHAFT
98A	90200		SCREW -(8-32 X 1/2)
99	26157		SPRING, Compression
188	93535		SCREW -(5/16-18 X 3/4)
201	261609		LINK, Mechanical Governor -Used Before Code Date 87010700
201	262348		LINK, Mechanical Governor -Used After Code Date 87010600
209	260695		SPRING, Governor -Used After Code Date 87010600
209	260871		SPRING, Governor -(2700 To 3300 RPM) -Used After Code Date 87010600
209	260902		SPRING, Governor -Used After Code Date 87010600
209	261126		SPRING, Governor -Used After Code Date 87010600
209	261129		SPRING, Governor -Used Before Code Date 87010700
219	391764		SLINGER, Governor/Oil -Used Before Code Date 87010700
219	490815		GEAR, Governor -Used After Code Date 87010600
222	491594		BRACKET, Control -(Choke-A-Matic)
225	231058		CRANK, Governor -(1/4 Diameter)
227	391733		LEVER, Governor Control -(1/4 Diameter) -Used Before Code Date 87010700
227	490927		LEVER, Governor Control -(1/4 Diameter) -Used After Code Date 87010600
230	94742		WASHER
232	260584		SPRING/LINK, Mechanical Governor -Used After Code Date 87010600
232	261911		SPRING/LINK, Governor -Used Before Code Date 87010700
265	221535		CLAMP, Casing -(Stamped Steel)
284	93572		SCREW -(10-32 X 3/8)
304	490689		HOUSING, Blower
305	93158		SCREW -(1/4-20 X 5/8)
306	224545		SHIELD, Cylinder
307	93163		SCREW -Used Before Code Date 90051400



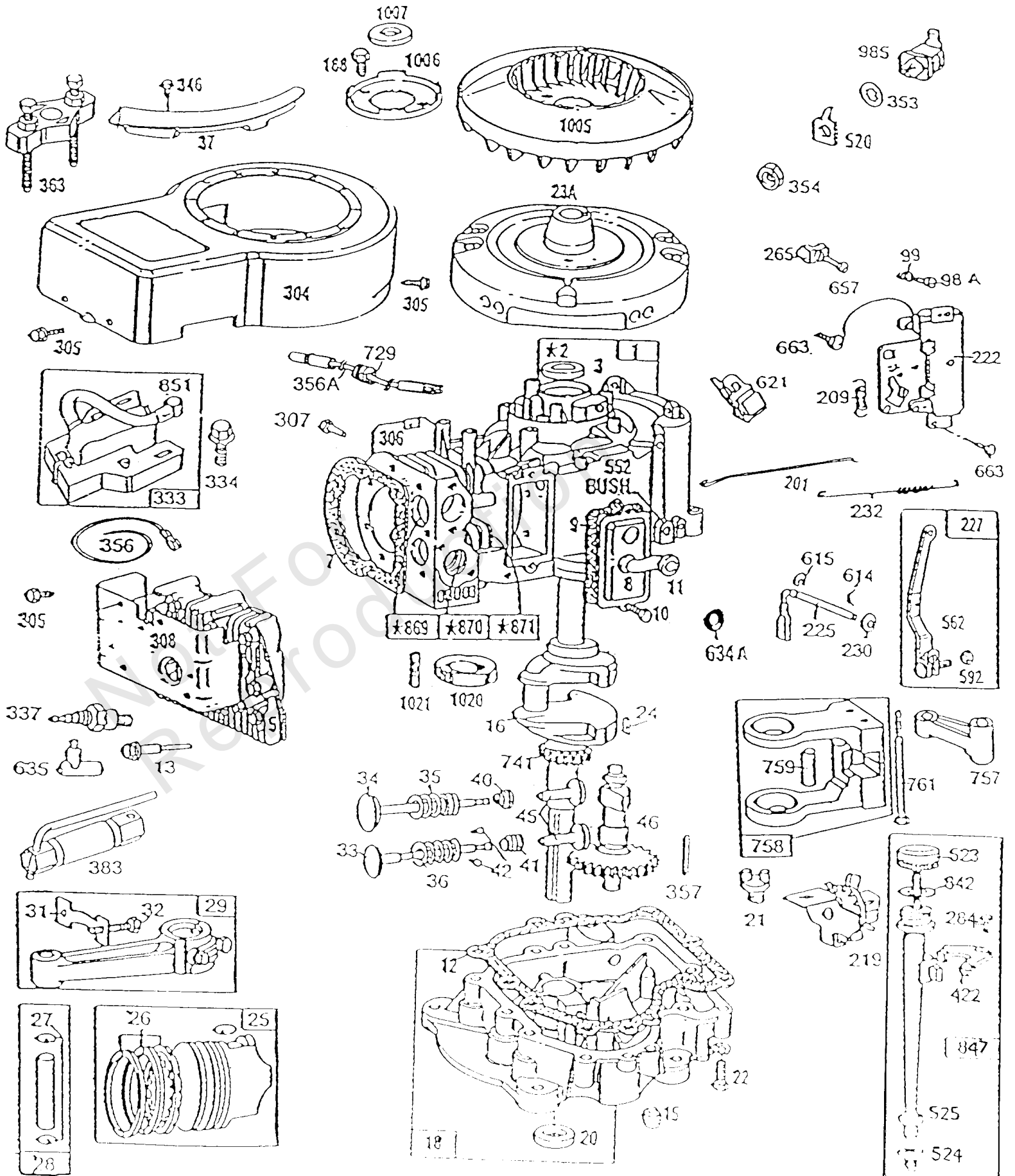
* REQUIRES SPECIAL TOOLS TO INSTALL.
SEE REPAIR INSTRUCTION MANUAL.

358 GASKET SET

1019 LABEL KIT

Cyl,Sump,Piston,Oil Fill

REF NO	PART NO	QTY	DESCRIPTION
307	93949		SCREW -Used After Code Date 90051300
308	223718		COVER, Cylinder Head -Used Before Code Date 87090900
308	491490		COVER, Cylinder Head -Used After Code Date 87090800
333	398811		ARMATURE, Magneto -(Magnetron Ignition) -Used Before Code Date 88090600
333	492341		ARMATURE, Magneto -Used After Code Date 88090500
334	93381		SCREW
337	293918		PLUG, Spark
337	298809		PLUG, Spark
337	802592		PLUG, Spark -(Resistor)
346	93705		SCREW -(8-32 X 3/8)
353	92791		WASHER
354	90576		NUT -(Ground Terminal)
356A	494328		WIRE, Stop
356	398808		WIRE, Stop -(Cut To Required Length)
357	91540		KEY, Drive Pulley -(1/4)
358	490525		GASKET SET, Engine
363	19203		PULLER, Flywheel
383	89838		WRENCH, Spark Plug
422	223721		CLAMP, Tube
520	93722		TERMINAL, Ground
523	490327		DIPSTICK
524	68838		SEAL, O-Ring -(Dipstick Tube)
525	280741		TUBE, Dipstick
552	231597		BUSHING, Governor Crank -(1/4 I.D.) -Used After Code Date 88041700
552	491986		BUSHING, Governor Crank -(1/4 I.D.) -Used Before Code Date 88041800
562	92613		BOLT -(Governor Lever)
592	231082		NUT -(Governor Control)
614	93306		PIN, Cotter
615	93307		RETAINER, Governor Shaft
621	396847		SWITCH, Stop
634A	491323		SEAL, Governor Shaft
635	66538		BOOT, Spark Plug
657	93496		SCREW -(10-32 X 5/8)
663	93572		SCREW -(10-32 X 3/8)
729	281159		CLIP, Wire
741	262135		GEAR, Timing -(Key)



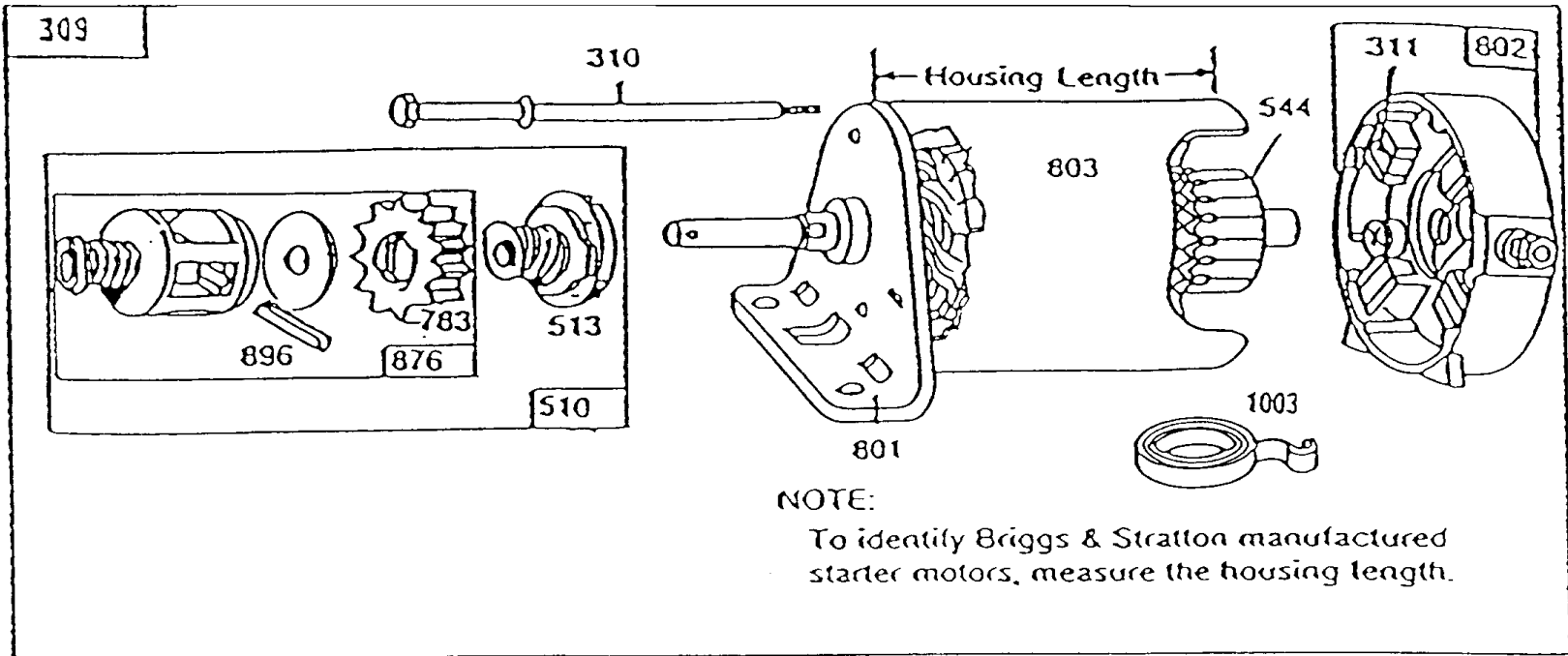
* REQUIRES SPECIAL TOOLS TO INSTALL.
SEE REPAIR INSTRUCTION MANUAL.

358 GASKET SET

1019 LABEL KIT

Cyl,Sump,Piston,Oil Fill

REF NO	PART NO	QTY	DESCRIPTION
757	212359		LINK, Counterweight
758	399891		COUNTERWEIGHT
759	298909		PIN, Piston
761	93875		SCREW
842	270920		SEAL, O-Ring -(Dipstick Tube) (Oil Fill)
847	490474		DIPSTICK/TUBE ASSEMBLY
851	221798		TERMINAL, Spark Plug
869	261463		SEAT, Valve -(Intake)
870	210940		SEAT, Valve -(Exhaust) (Standard)
871	231218		BUSHING, Valve Guide -(Intake)
871	261961		BUSHING, Valve Guide -(Exhaust)
985	398525		INSULATOR
1005	280687		FAN, Flywheel
1006	223726		RETAINER, Fan
1007	231531		SPACER -(Clutch) -Used Before Code Date 88090600
1007	231582		SPACER -(Clutch) -Used Before Code Date 87052900
1019	491255		KIT, Label
1020	262243		ECCENTRIC
1021	94160		PIN, Retainer



Reference Number	309	310	311	510	544	801	802	803	1003	
Manufacturer	Motor and Drive Ass'y.	Thru Bolt Assembly	Brush Assembly	Drive Assembly	Armature Assembly	Drive End Cap Assembly	End Cap Ass'y. Commutator	Housing Assembly	Brush Spring	
Briggs & Stratton	Housing Length									
12V	4-3/8"	490420	94004	395538	490421**	391160	394856	395537*	394544	-
12V	4-9/16"	399169	94169	490311	490421**	490309	394856	490310*	399172	490316
12V	3-21/32"	394805	94003	395538	490421**	390837	394856	395537*	398159	-

*Includes Brush Set

**Includes #398003 Clutch Assembly (Ref. No. 513)
 #280104 Gear (Ref. No. 783)
 #490467 Retainer and Pin (Ref. No. 876)
 # 94288 Roll Pin (Ref. No. 896)

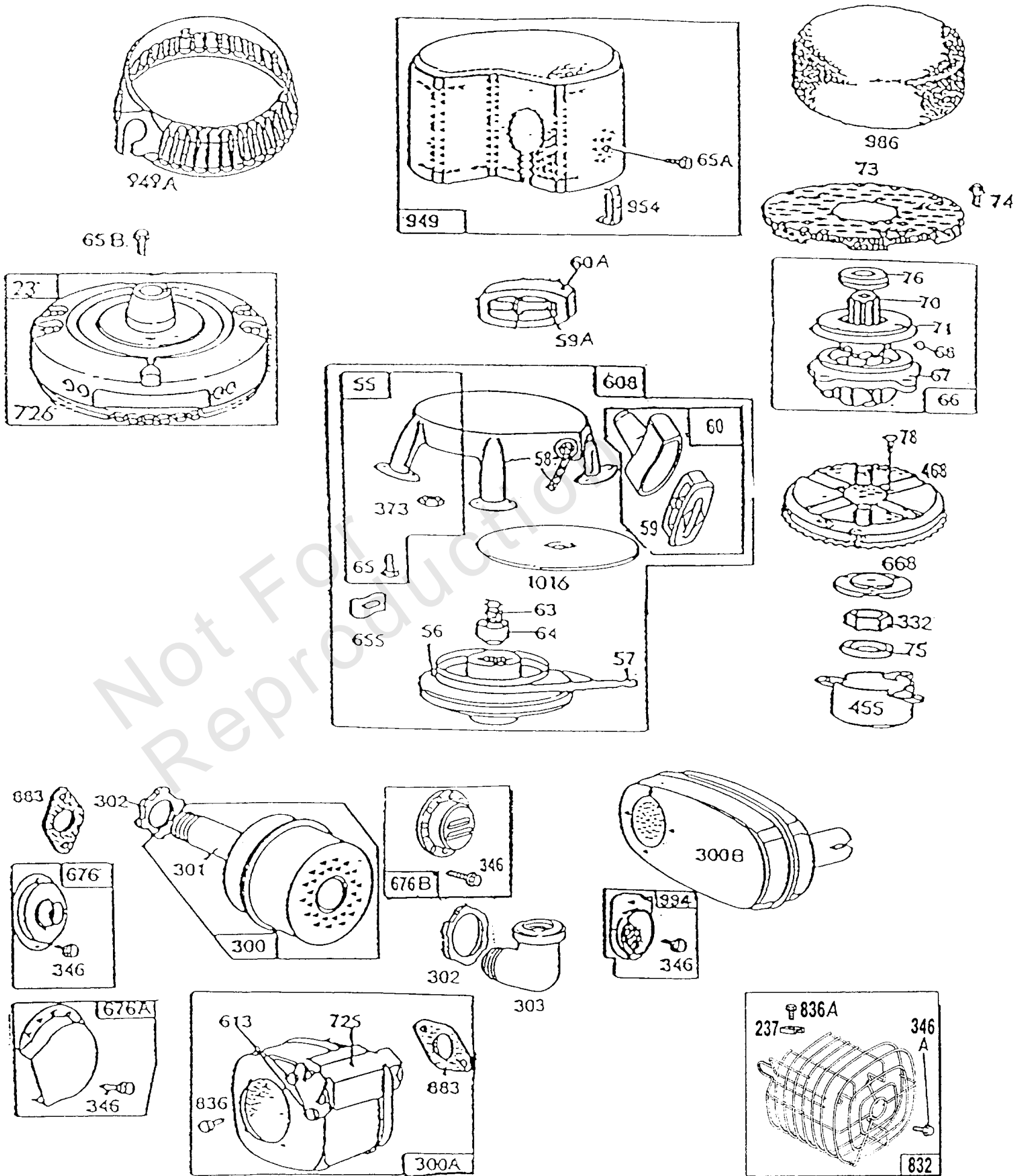
Not For Reproduction

Electric Starter and Chart

REF NO	PART NO	QTY	DESCRIPTION
309	394805		MOTOR, Starter -(3 1/16 Housing)
309	399169		MOTOR, Starter -(4 9/16 Housing)
309	490420		MOTOR, Starter -(4 3/8 Housing) (Briggs & Stratton 12V)
310	94003		SCREW -(3 5/8 Housing)
310	94004		SCREW -(4 3/8 Housing)
310	94169		SCREW -(4 1/2 Housing)
311	395538		SET, Brush -(3-5/8 or 4 3/8 Housing)
311	490311		SET, Brush -(4 9/16 Housing)
510	490421		DRIVE, Starter -Includes #398003 Clutch Assembly (Ref. No. 513) #280104 Gear (Ref. No. 783) #490457 Retainer and Pin (Ref. No. 876) #94288 Roll Pin (Ref. No. 896) (3-21/32 or 4 9/16 Housing)
544	390837		ARMATURE, Starter -(3 5/8 Housing)
544	391160		ARMATURE, Starter -(3 5/8 or 4 3/8 Housing)
544	490309		ARMATURE, Starter -(4 9/16 or 4 3/8 Housing)
801	394856		CAP, Drive
802	395537		CAP, End -(3 5/8 Housing) Includes Brush Set
802	490310		HOUSING, Brush End -Includes Brush Set (4 1/2 or 4 9/16 Housing)
803	394544		HOUSING, Starter -(4 3/8 Housing)
803	398159		HOUSING, Starter -(3 5/8 Housing)
803	399172		HOUSING, Starter -(4 1/2 or 4 9/16 Housing)
1003	490316		SPRING, Brush -(4 1/2 or 4 9/16 Housing)

Mufflers,Rewind,Flywheels

REF NO	PART NO	QTY	DESCRIPTION
23	492325		FLYWHEEL -(16 Amp) -Used After Code Date 88090500
23	492326		FLYWHEEL
55	393576		HOUSING, Rewind Starter
56	295871		PULLEY, Starter -(63 Rope)
57	490179		SPRING-REWIND STR
58	66884		ROPE, Starter -(Cut To Required Length)
59A	230228		PIN, Starter Grip
59	490653		INSERT, Grip
60A	66728		GRIP, Starter Rope
60	490652		GRIP-STARTER ROPE
63	260414		SPRING, Ratchet
64	230543		ADAPTER, Ratchet Spring
65B	93067		SCREW -(3/8)
65A	94018		SCREW
65	94128		SCREW
66	399671		CLUTCH-STARTER -(Uses Rubber Coated Retainer Washer-Ref. 71)
67	394897		HOUSING, Clutch
68	63770		BALL, Clutch
70	298799		RATCHET, Clutch -(engine W/Ring Gear on FW equipped for Elec Start)
71	394506		COVER, Ratchet -(Rubber Coated)
73	223859		SCREEN, Rotating
74	93758		SCREW -(Rotating Screen)
75	224061		WASHER -(5/8 Hole)
76	68238		SEAL, Ratchet
78	93805		SCREW
237	222379		RETAINER, Muffler Guard
300B	493963		MUFFLER -(Super Lo Tone)
300A	490600		MUFFLER -Used Before Code Date 87090900
300A	491413		MUFFLER -(Square Lo Tone) -Used After Code Date 87090800
300	391569		MUFFLER
301	93768		PIPE, Exhaust -(5 1/4)
302	261564		LOCKNUT -(Muffler and Elbow)
303	91308		MANIFOLD, Exhaust -(1 Street)
332	92284		NUT -(Flywheel)
346A	93587		SCREW -(1/4-20 X 1)
346	93705		SCREW -(8-32 X 3/8)
373	92987		STARTER, Rewind



Mufflers, Rewind, Flywheels

REF NO	PART NO	QTY	DESCRIPTION
455	222561		CUP, Flywheel
468	222562		SCREEN, Rotating -Used After Code Date 88052500
468	223713		SCREEN, Rotating -Used Before Code Date 88052600
608	390391		STARTER, Rewind
613	93927		SCREW -(Muffler)
655	222598		ANCHOR, Rewind Spring -(Stamped Rewind Housing)
668	280848		SPACER
676B	397630		DEFLECTOR, Muffler -(Louvered Outlet)
676A	393761		DEFLECTOR, Muffler -(Side Outlet)
676	396903		DEFLECTOR, Muffler
725	223023		SHIELD, Heat
726	392134		GEAR, Ring
832	398247		GUARD, Muffler
836A	94186		SCREW -(Tapping)
836	94513		SCREW -(Blower Housing)
883	272293		GASKET, Exhaust -Included in Gasket Set-Part No. 490525
949A	280685		GUARD, Rewind
949	397530		GUARD, Debris Screen -(Rewind Starter)
949	398857		GUARD, Debris Screen -(Electric Starter)
954	223379		BRACKET, Mounting
986	271735		FILTER, Debris Foam
994	392390		ARRESTOR, Spark
1016	490817		SPACER-REWIND -(Rewind)

Replacement Engine - Europe, Middle East & Africa

REF NO	PART NO	QTY	DESCRIPTION
	21R8770014B5CC0001		Replacement Engine
	496606R		Replacement Short Block
	-----		Top No-Load Speed: 3200
	-----		Service Note: 9A REGULATED ALTERNATOR EQUIPPED
	-----		Service Note: IF ORIGINAL ENGINE IS L-HEAD/SIDEVALVE, CHECK NEW ENGINE DIMENSIONS WILL FIT EQUIPMENT
	-----		Service Note: IF ORIGINAL ENGINE IS L-HEAD/SIDEVALVE EXHAUST MODIFICATION/FABRICATION WILL BE REQUIRED
	-----		Service Note: NEW ENGINE HAS OIL FILTER (CHECK DIMENSIONS)
	-----		Service Note: NO FUEL PUMP

Not For Reproduction

Replacement Engine - US & Canada

REF NO	PART NO	QTY	DESCRIPTION
	2199073026	1	Replacement Engine
	-----		Top No-Load Speed: 3500 -Trim: ALL
	-----		Service Note: If the replacement engine supersedes to or is a Model 210000 series engine, refer to the illustrations located after the conversion data for this model series. The overall dimensions which differ, are shown in the illustrations.
	-----		Service Note: If after making a visual inspection and it is determined the Model 210000 series engine cannot be used because of equipment interference, the original engine should be repaired with a short block and/or individual parts.

Not For Reproduction

