

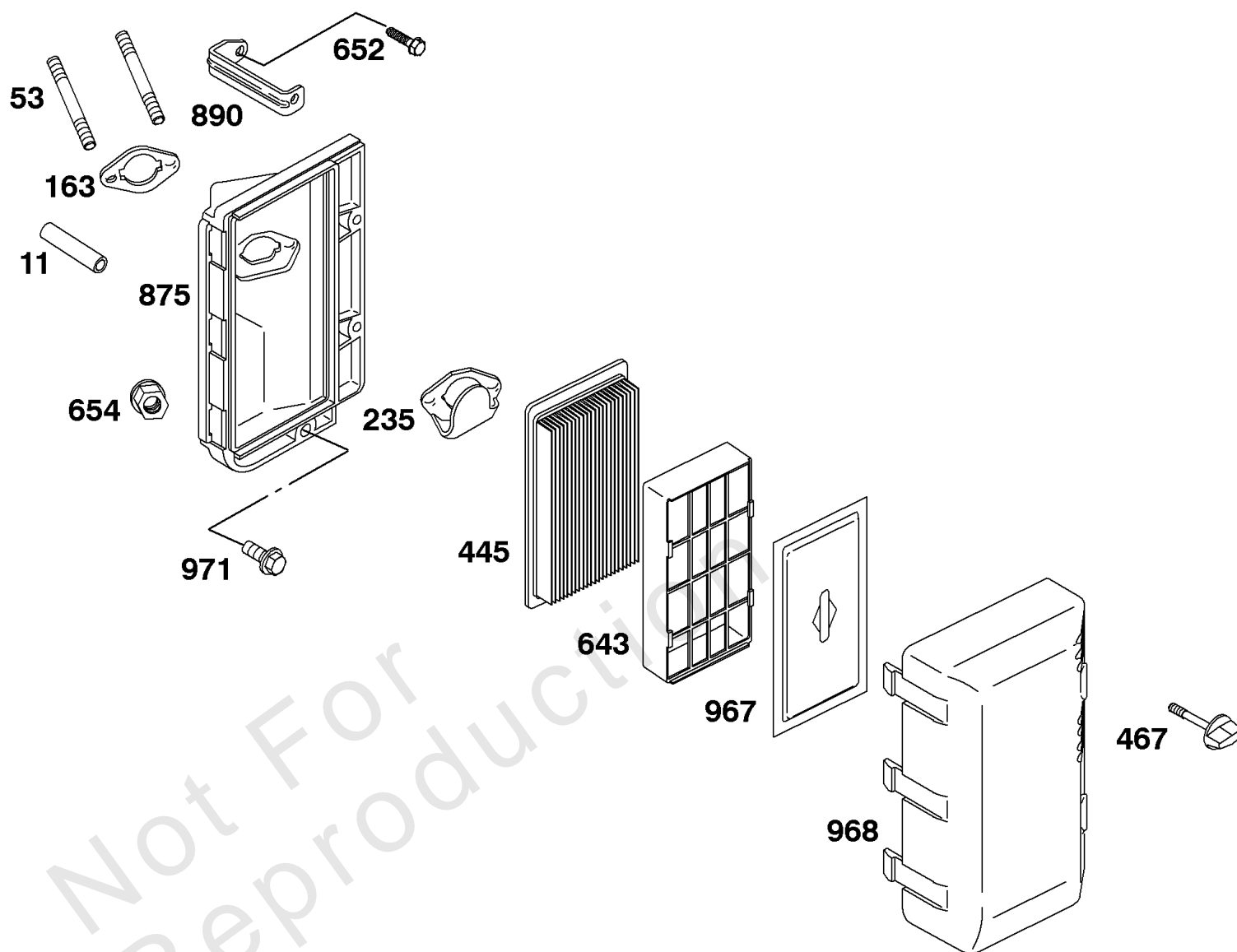


Parts Manual

Mfg. No: 235437-0084-01

Model Components	Page
Air Cleaner.....	4
Alternator, Ignition.....	6
Blower Housing, Control Panel, Flywheel.....	8
Camshaft, Crankshaft, Piston, Rings, Connecting Rod.....	10
Carburetor.....	12
Controls.....	14
Crankcase Cover, Lubrication.....	16
Cylinder Head, Valves.....	18
Electric Starter.....	20
Exhaust System.....	22
Fuel Supply.....	24
Fuel Supply.....	26
Gasket Set-Carburetor, Gasket Set-Valve.....	28
Gasket Set-Engine, Kit-Carburetor Overhaul.....	30
Oil Sensor Group, Operator's Manual, Repair Manual, Warning Label.....	32
Replacement Engine - Europe, Middle East & Africa.....	34
Replacement Engine - US & Canada.....	35
Rewind Starter.....	36

Not For
Reproduction

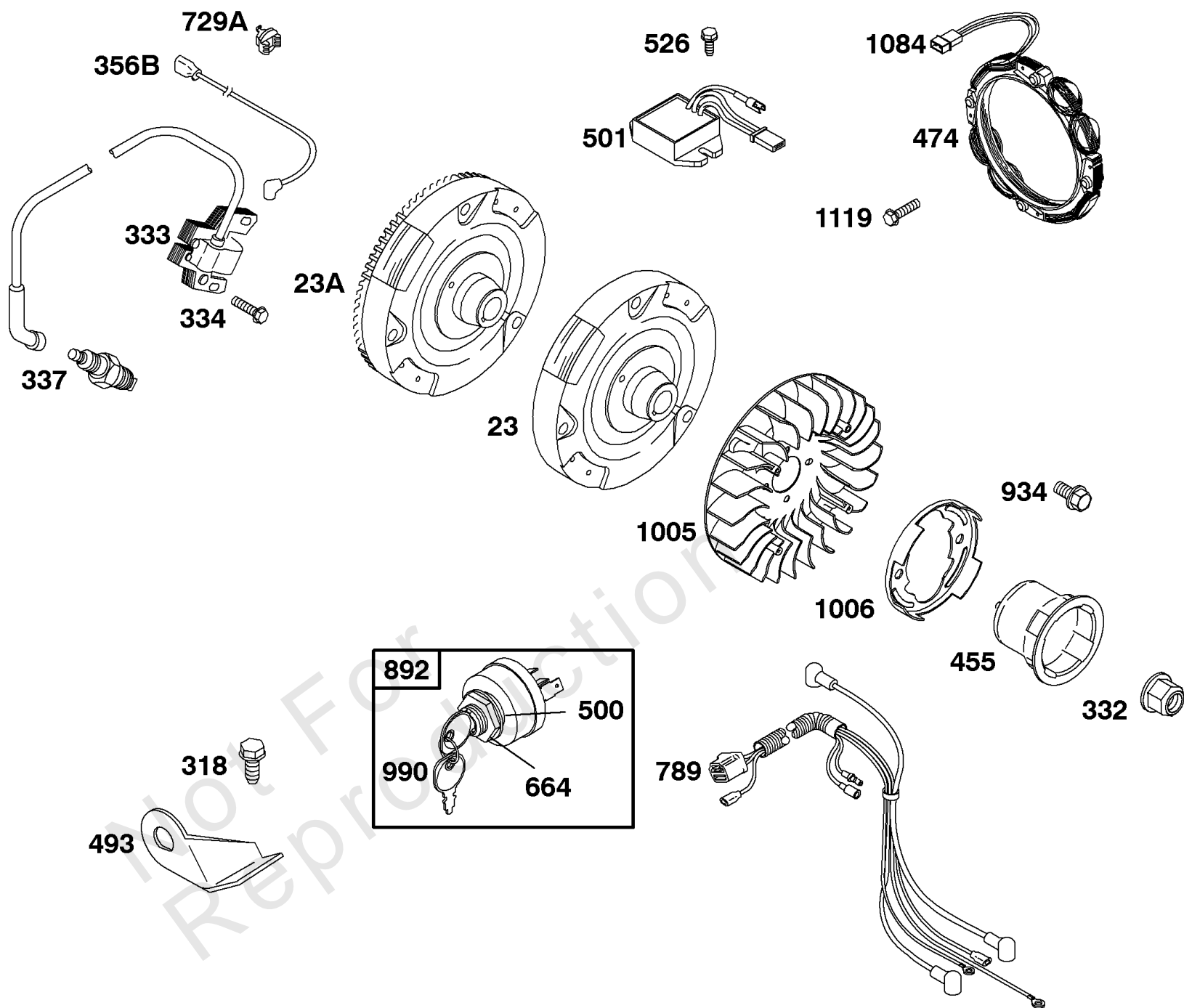


REF. NO.	PART NO.	DESCRIPTION	REF. NO.	PART NO.	DESCRIPTION	REF. NO.	PART NO.	DESCRIPTION
11	710115	Tube-Breather	643	710228	Retainer-Air Filter	967	710268	Filter-Pre Cleaner
53	710556	Stud (Carburetor)	652	710248	Screw (Support Bracket)	968	710579	Cover-Air Cleaner
163★◆	710557	Gasket-Air Cleaner	654	710068	Nut (Carburetor)	971	710234	Screw (Air Cleaner Base To Carburetor)
235	710553	Shield-Fuel Spray	875	710551	Base-Air Cleaner (Plastic)			
445	710266	Filter-Air Cleaner Cartridge	890	710554	Bracket-Support			
467	710113	Knob-Air Cleaner						

Air Cleaner

REF NO	PART NO	QTY	DESCRIPTION
11	710115		TUBE, Breather
53	710556		STUD -(Carburetor)
163	710557		GASKET, Air Cleaner -(Air Cleaner)
235	710553		SHIELD, Fuel Spray
445	710266		FILTER, A/C Cartridge
467	710113		KNOB, Air Cleaner Cover
643	710228		RETAINER, Air Filter
652	710248		SCREW -(Support Bracket)
654	710068		LOCKNUT -(Carburetor)
875	710551		BASE, Air Cleaner -(Plastic)
890	710554		BRACKET, Support
967	710268		FILTER, Pre Cleaner
968	710579		COVER, Air Cleaner
971	710234		SCREW -(Air Cleaner Base) (Remote Choke)

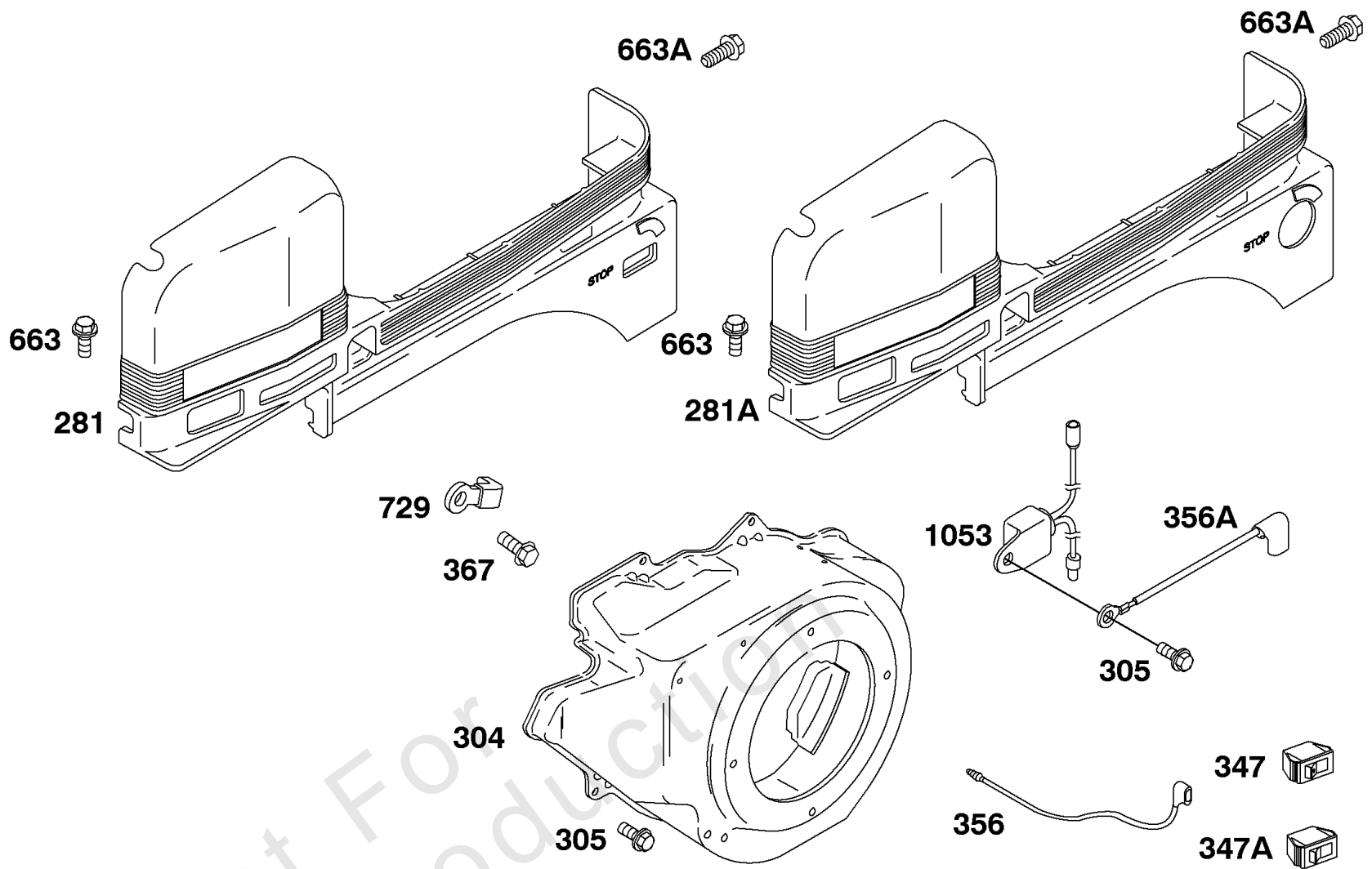
Not For Reproduction



REF. NO.	PART NO.	DESCRIPTION	REF. NO.	PART NO.	DESCRIPTION	REF. NO.	PART NO.	DESCRIPTION
23	715265	Flywheel			(Magneto Armature)	729A	710046	Clip-Wire
23A	715258	Flywheel	337	491055s	Plug-Spark	789	710576	Harness-Wiring
		----- Note -----	356B	710324	Wire-Stop	892	692318	Switch-Key
		715260 Flywheel	455	710588	Cup-Flywheel	934	710550	Screw
		Used on Type No(s).	474	715798	Alternator			(Fan Retainer)
		0084, 0122, 0284,	493	710575	Bracket-Mounting	990	392832	Key Set
		0522.	500	691086	Washer	1005	280687	Fan-Flywheel
318	710057	Screw			(Key Switch)	1006	690452	Retainer-Fan
		(Mounting Bracket)	501	394890	Regulator	1084	710386	Terminal Connector
332	710345	Nut	526	710057	Screw	1119	690938	Screw
		(Flywheel)			(Regulator)			(Alternator)
333	492341	Armature-Magneto	664	691087	Nut			
334	690938	Screw			(Key Switch)			

Alternator, Ignition

REF NO	PART NO	QTY	DESCRIPTION
23A	715260		FLYWHEEL
318	710057		SCREW -(Mounting Bracket)
332	710345		NUT -(Flywheel)
333	492341		ARMATURE, Magneto
334	690938		SCREW -(Magneto Armature)
337	491055S		PLUG, Spark
337	84007216		PLUG, SPARK -(China Only)
356B	710324		WIRE, Stop
455	710588		CUP, Flywheel
474	715798		ALTERNATOR
493	710575		BRACKET, Mounting
500	691086		WASHER -(Key Switch)
501	691185		REGULATOR -(16 Amp Regulated)
526	710057		SCREW -(Regulator)
664	691087		NUT -(Key Switch)
729A	710046		CLIP, Wire
789	710576		HARNESS, Wiring
892	692318		SWITCH, Key
934	710550		SCREW -(Fan Retainer)
990	691959		SET, Key
1005	691905		FAN, Flywheel
1006	690452		RETAINER, Fan
1084	710386		CONNECTOR, Terminal
1119	690938		SCREW -(Alternator)



1036 EMISSIONS LABEL

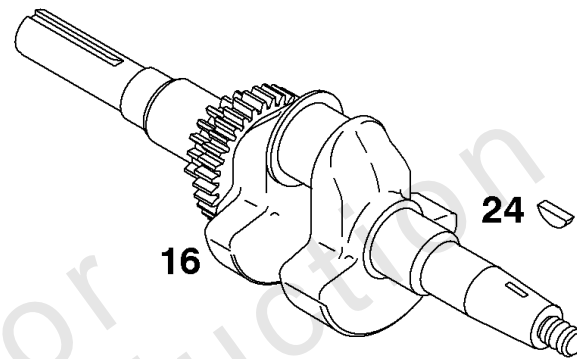
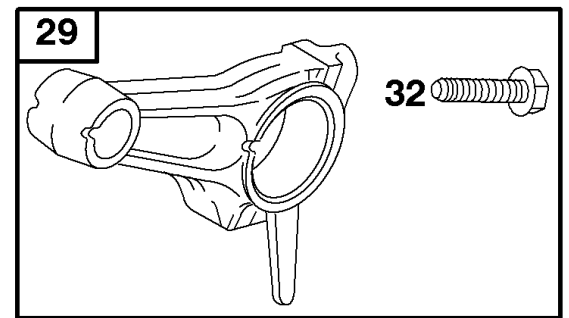
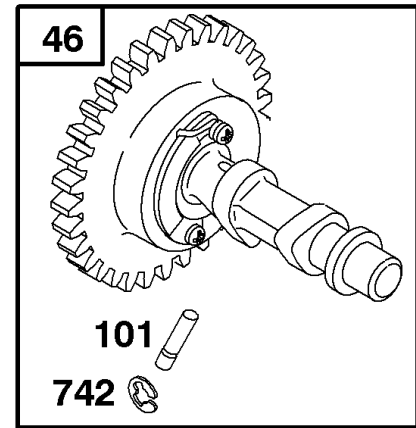
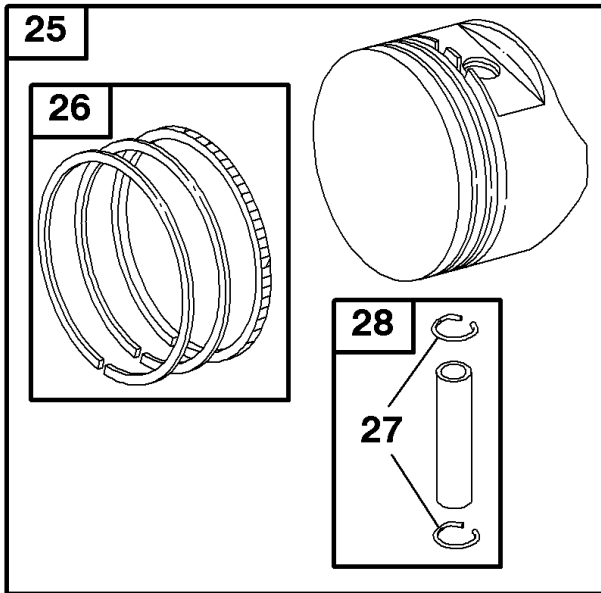
REF. NO.	PART NO.	DESCRIPTION	REF. NO.	PART NO.	DESCRIPTION	REF. NO.	PART NO.	DESCRIPTION
281	710570	Panel-Control ----- Note ----- 710571 Panel-Control Used on Type No(s). 0037, 0042, 0595. 711151 Panel-Control Used on Type No(s). 0596.	304	711286	Housing-Blower ----- Note ----- 710574 Housing-Blower Used on Type No(s). 0043, 0074, 0076, 0080, 0084, 0122, 0276, 0284, 0522.	356	710087	Wire-Stop
281A	710577	Panel-Control Used on Type No(s). 0074, 0076, 0080, 0084, 0276, 0280, 0284, 0522.	305	710023	Screw (Blower Housing)	356A	710120	Wire-Stop
			347	691995	Switch-Rocker (Without Lamp)	367	710023	Screw (Wire Clip)
			347A	495098s	Switch-Rocker (With Lamp)	663	710234	Screw (Control Panel)
						663A	710095	Screw (Control Panel)
						729	710083	Clip-Wire
						1036		Label-Emission (Available From A Briggs & Stratton Authorized Dealer)
						1053	710305	Module-Oil Gard®

Blower Housing, Control Panel, Flywheel

REF NO	PART NO	QTY	DESCRIPTION
281A	710577		PANEL, Control
304	710574		HOUSING, Blower
305	710023		SCREW -(Blower Housing)
347	691995		SWITCH-ROCKER -(Without Light)
347A	495098S		SWITCH, Rocker -(With Light)
356	710087		WIRE, Stop -(1 Wire, 5)(Insulated Flag Female Blade Terminal, And RingTerminal)
356A	710120		WIRE, Stop
367	710023		SCREW -(Wire Clip)
663	710234		SCREW -(Control Panel)
663A	710095		SCREW -(Control Panel)
729	710083		CLIP, Wire
1036	-----		Label-Emissions -(Available From A Briggs & Stratton Authorized Dealer)
1053	710305		MODULE, Oil Guard

Camshaft, Crankshaft, Piston, Rings, Connecting Rod

Mfg. No: 235437-0084-01



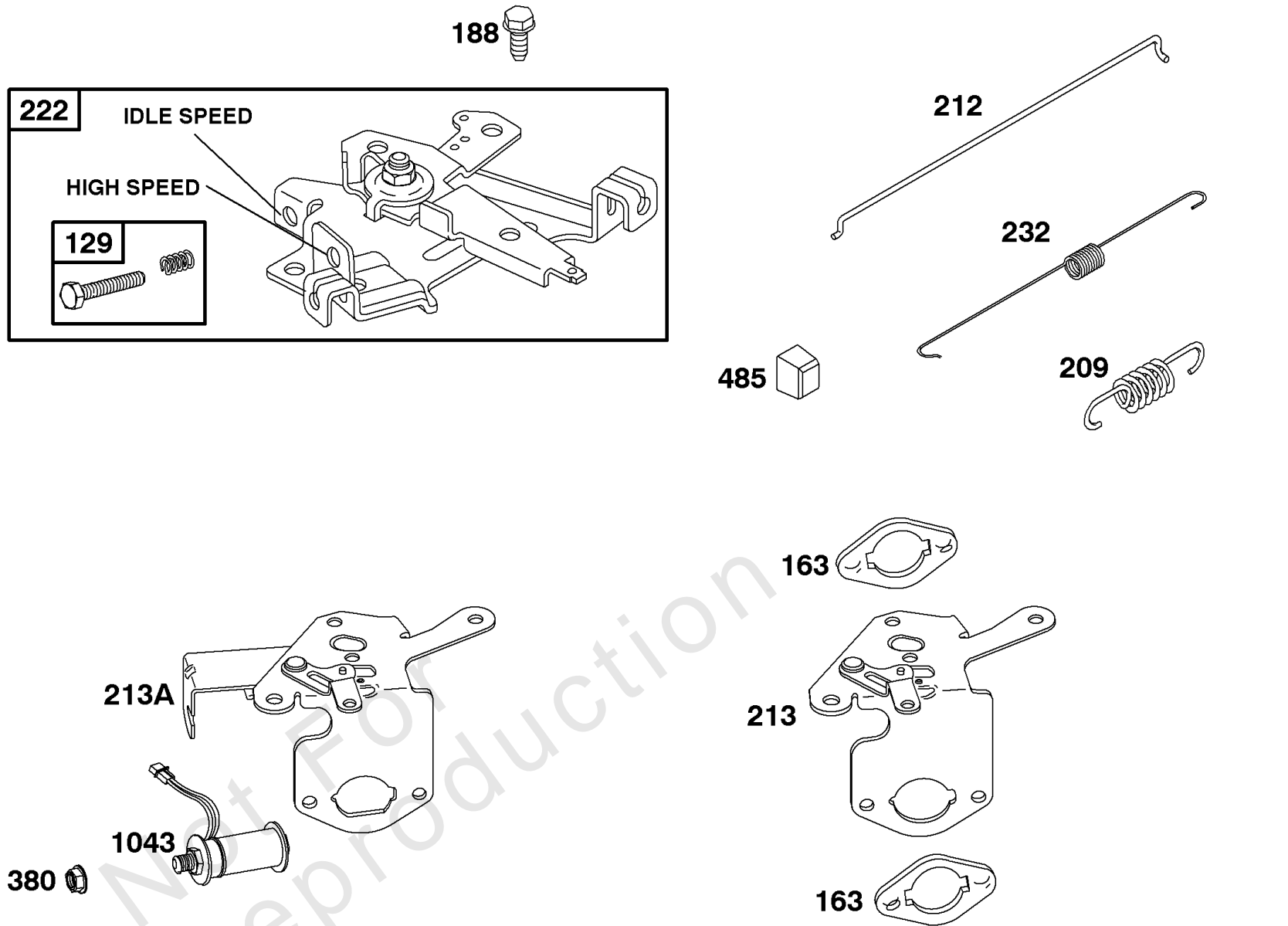
REF. NO.	PART NO.	DESCRIPTION	REF. NO.	PART NO.	DESCRIPTION	REF. NO.	PART NO.	DESCRIPTION
16	715342	Crankshaft (SAE 1" Keyway) Used on Type No(s). 0035, 0037, 0076, 0084, 0120, 0122, 0235, 0276, 0284, 0520, 0522, 0540. ----- Note ----- 715343 Crankshaft (SAE Taper) Used on Type No(s). 0042, 0070, 0071, 0074, 0080, 0083, 0090, 0280 0290, 0595, 0596. 715344 Crankshaft (SAE 1" Thread) Used on Type No(s). 0043, 0047, 0247, 0561. 715700 Crankshaft (JIS Taper) Used on Type No(s). 0058.	24	710037	Key-Flywheel	27	691792	Lock-Piston Pin
			25	715793	Piston Assembly (Standard) ----- Note ----- 715797 Piston Assembly (.020" Oversize)	28	715407	Pin-Piston (Standard)
			26	715346	Ring Set (Standard) ----- Note ----- 715368 Ring Set (.020" Oversize)	29	715345	Rod-Connecting ----- Note ----- 715366 Rod- Connecting (.020" Undersize)
						32	710221	Screw (Connecting Rod)
						46	716237	Camshaft
						101	710547	Pin-Shaft
						742	710548	Retainer-E Ring

Camshaft, Crankshaft, Piston, Rings, Connecting Rod

REF NO	PART NO	QTY	DESCRIPTION
16	715342		CRANKSHAFT -(SAE 1 Keyway)
24	710037		KEY, Flywheel
25	715797		PISTON ASSEMBLY -(.020 Oversize)
25	715793		PISTON ASSEMBLY -(Standard)
26	715368		SET, Ring -(.020 Oversize)
26	715346		SET, Ring -(Standard)
27	691792		LOCK, Piston Pin
28	715407		PIN, Piston -(Standard)
29	715345		ROD, Connecting
29	715366		ROD, Connecting -(.020 Undersize)
32	710221		SCREW -(Connecting Rod)
46	715369		CAMSHAFT
101	710547		PIN, Shaft
742	710548		RETAINER, E Ring

Carburetor

REF NO	PART NO	QTY	DESCRIPTION
51	710559		GASKET, Intake
93	690602		BUSHING, Throttle Shaft
94	498030		KIT, Idle Mixture -(Carburetor Part Number 715331)
94	716236		KIT, Idle Mixture -(Carburetor Part Number 715742)
94A	496589		KIT, Idle Mixture -(Carburetor Part Number 715400)
95	691636		SCREW -(Throttle Valve)
98	495800		KIT, Idle Speed -(Idle Speed) (Lmt 54, 55, 91)
104	690525		PIN, Float Hinge
105	231855S		VALVE-FLOAT NEEDLE
108	691227		VALVE, Choke
122	715377		SPACER, Carburetor
125	715782		CARBURETOR -(Carburetor Part Number 715742)
130	690468		VALVE, Throttle
131	715388		KIT, Throttle Shaft -(Carburetor Part Number 715331)
131A	715379		KIT, Throttle Shaft -(Carburetor Part Number 715400)
133	494381		FLOAT, Carburetor
137	281165S		GASKET, Float Bowl
141	715382		KIT, Choke Shaft
142	498547		NOZZLE, Carburetor -(Standard) (Carburetor Part Number 715331)
142	690668		NOZZLE, Carburetor -(Standard) (Carburetor Part Number 715400)
143	498173		NOZZLE, Carburetor -(High Altitude) (Carburetor Part Number 715400)
276	692255		WASHER, Sealing
633	690597		SEAL, Choke/Throttle Shaft
692	691301		SPRING, Detent
950	691657		SCREW -(Float Bowl)
975	495933		BOWL, Float -(Float Bowl)
987	691326		SEAL, Choke/Throttle Shaft
1091	691333		CAP, Limiter



REF. NO.	PART NO.	DESCRIPTION	REF. NO.	PART NO.	DESCRIPTION	REF. NO.	PART NO.	DESCRIPTION
129	715024	Screw/Spring-Governor Speed (Idle & High Speed Adjustment) ----- Note ----- 715170 Screw/Spring-Governor Speed (Idle & High Speed Adjustment) Used on Type No(s). 0042, 0058, 0071, 0074, 0080, 0083, 0090.	209	710705	Spring-Governor ----- Note ----- 710564 Spring-Governor Used on Type No(s). 0042, 0070, 0071, 0074, 0595, 0596. 710580 Spring-Governor Used on Type No(s). 0058, 0080, 0083, 0090, 0280, 0290. 711177 Spring-Governor Used on Type No(s). 0540, 0561.	213	715347	Bracket-Choke Control
163★◆710557		Gasket-Air Cleaner				213A	715348	Bracket-Choke Control
188	710057	Screw (Control Bracket)	212	710562	Link-Throttle	222	715025	Bracket-Control ----- Note ----- 715046 Bracket-Control Used on Type No(s). 0042, 0058, 0070, 0071, 0074, 0080, 0083, 0090, 0280, 0290, 0595, 0596.
						232	710563	Spring-Governor Link
						380	710081	Nut (Electro Magnet)
						485	692295	Knob-Control
						1043	692955	Magnet-Electro

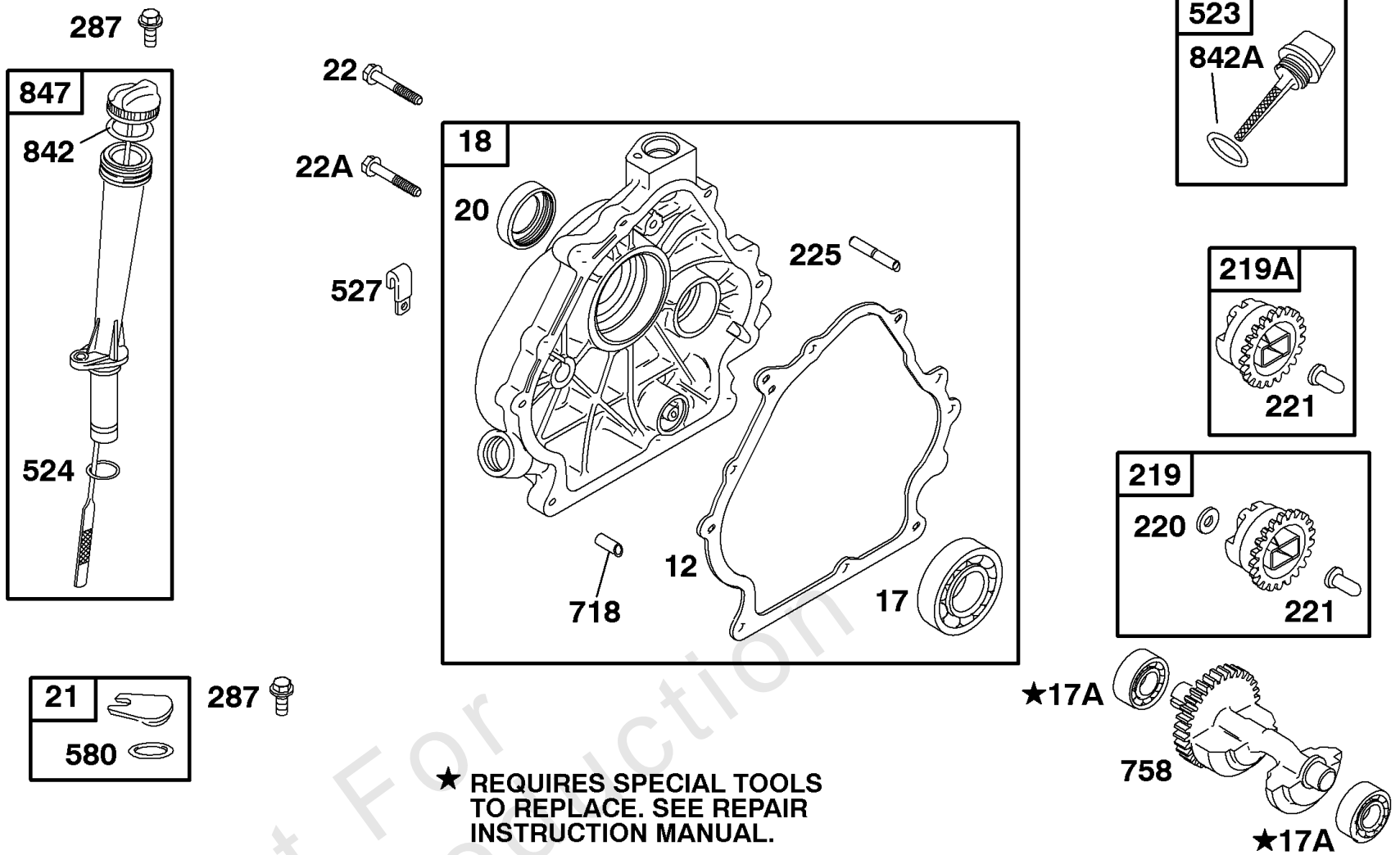
Controls

REF NO	PART NO	QTY	DESCRIPTION
129	715024		SCREW -(Governor) (Idle And High Speed Adjustment)
163	710557		GASKET, Air Cleaner -(Air Cleaner)
188	710057		SCREW -(Control Bracket)
209	710705		SPRING, Governor
212	710562		LINK, Throttle
213	715347		BRACKET, Choke Control
213A	715348		BRACKET, Choke Control
222	715025		BRACKET, Control
232	710563		SPRING/LINK, Governor
380	710081		NUT -(Electro Magnet)
485	692295		KNOB, Air Cleaner Cover
1043	692955		MAGNET, Electro

Not For Reproduction

Crankcase Cover, Lubrication

Mfg. No: 235437-0084-01

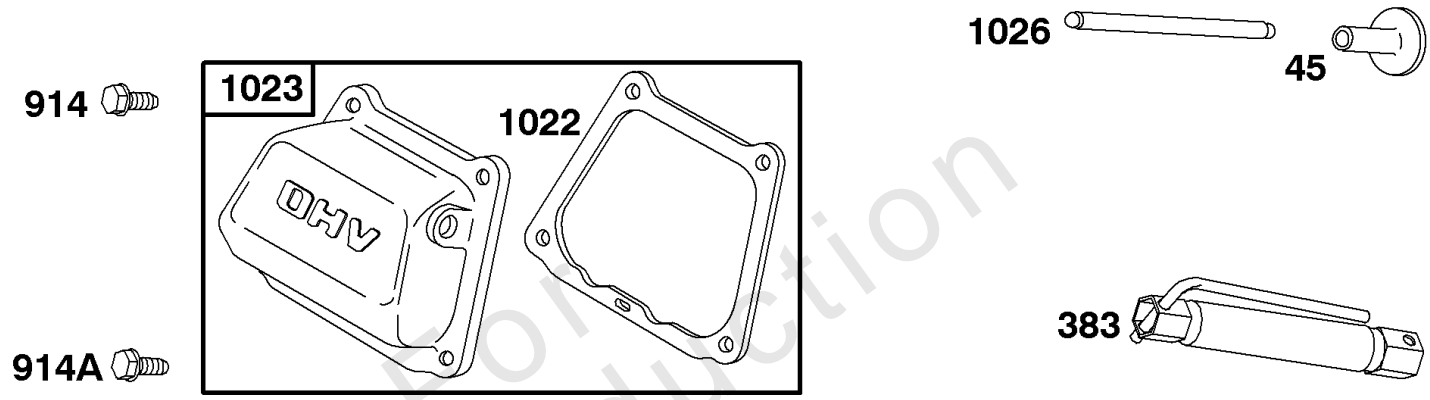
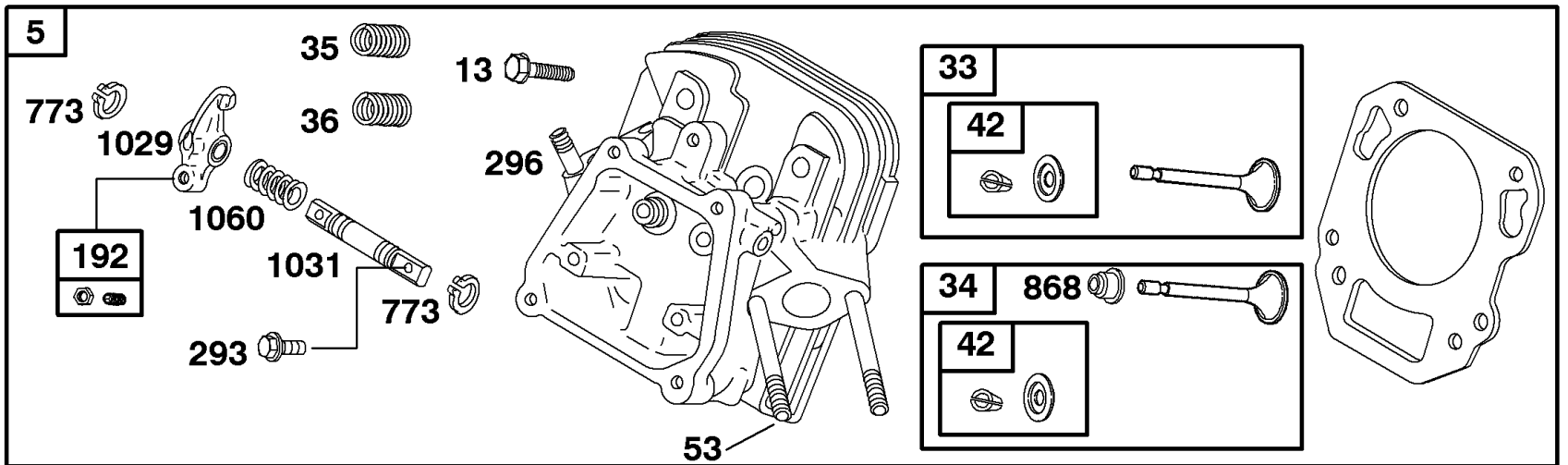


★ REQUIRES SPECIAL TOOLS TO REPLACE. SEE REPAIR INSTRUCTION MANUAL.

REF. NO.	PART NO.	DESCRIPTION	REF. NO.	PART NO.	DESCRIPTION	REF. NO.	PART NO.	DESCRIPTION
12	★710378	Gasket-Crankcase	20	★291675s	Seal-Oil (PTO Side)	287	710234	Screw (Dipstick Tube)
17	710528	Bearing-Ball	21	493668	Cap-Oil Fill	523	710817	Dipstick (Yellow)
		----- Note -----	22	710032	Screw (Crankcase Cover)	524	280854	Seal-Dipstick Tube
		710657 Bearing-Ball	22A	710306	Screw (Crankcase Cover)	527	710100	Clamp-Tube
		Used on Type No(s). 0047, 0247, 0561.	219	715679	Gear-Governor (Used After Code Date 99073100)	580	280854	Seal-O Ring (Oil Fill Cap)
17A	710482	Bearing-Ball	219A	715696	Gear-Governor (Used Before Code Date 99080100)	718	710005	Pin-Locating
18	715359	Cover-Crankcase	220	710545	Washer (Governor Gear)	758	710542	Counterweight
		----- Note -----	221	710027	Cup-Governor	842	691870	Seal-O Ring (Dipstick Tube)
		715358 Cover-Crankcase	225	710028	Shaft-Governor Gear	842A	★710218	Seal-O Ring (Dipstick Tube)
		Used on Type No(s). 0042, 0595.				847	710543	Dipstick/Tube Assembly
		715526 Cover-Crankcase						
		Used on Type No(s). 0058.						

Crankcase Cover, Lubrication

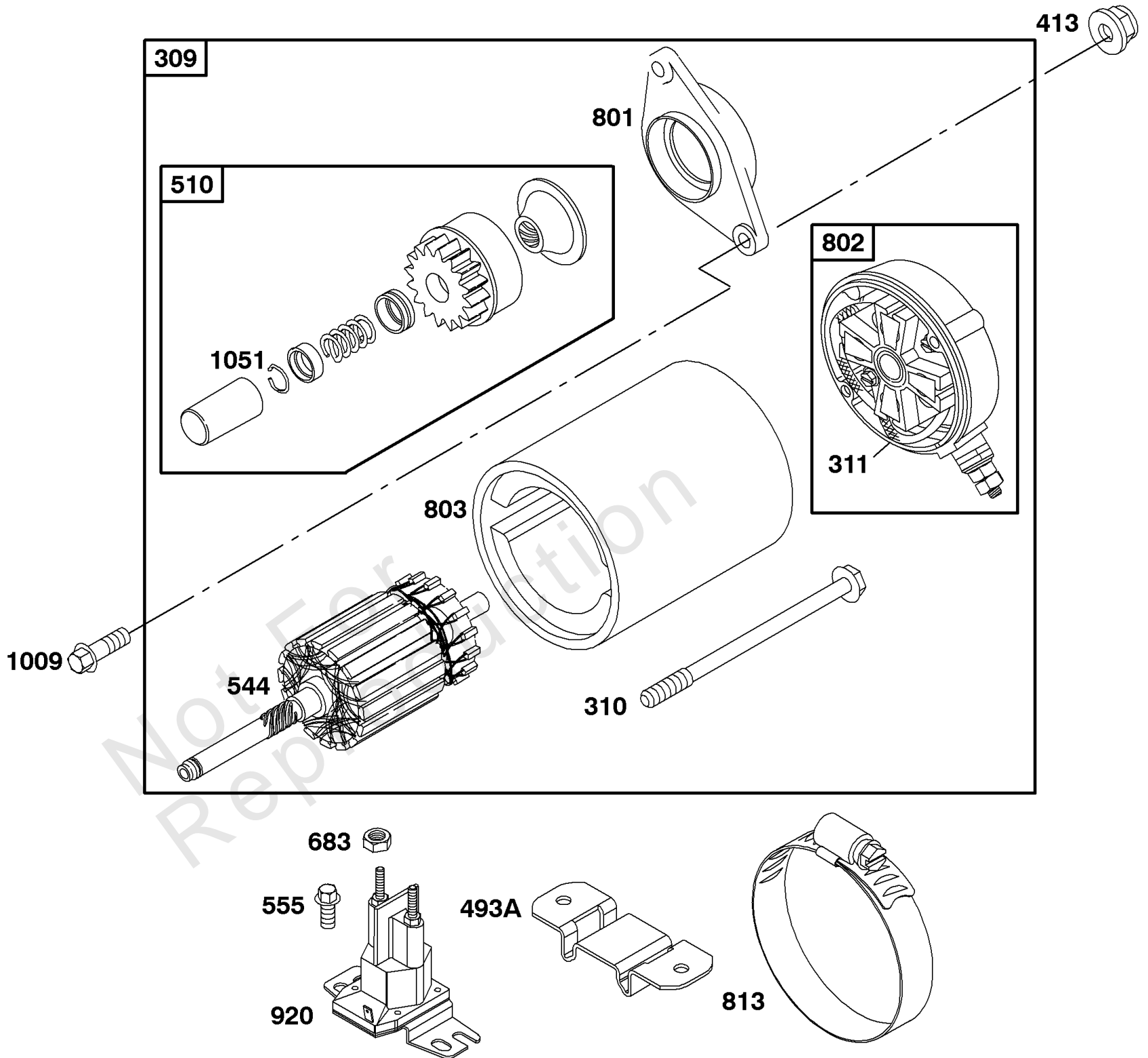
REF NO	PART NO	QTY	DESCRIPTION
12	710378		GASKET, Crankcase
17	710528		BEARING, Ball
17A	710482		BEARING, Ball
18	715359		COVER, Crankcase
20	291675S		SEAL, Oil -(PTO Side)
21	493668		CAP, Oil Fill
22	710032		SCREW -(Crankcase Cover/Sump)
22A	710306		SCREW -(Crankcase Cover/Sump)
219	715679		GEAR, Governor -Used After Code Date 99073100
219A	715696		GEAR, Governor -Used Before Code Date 99080100
220	710545		WASHER -(Governor Gear)
221	710027		CUP, Governor
225	710028		SHAFT, Governor Gear
287	710234		SCREW -(Dipstick Tube)
523	710817		DIPSTICK -(Yellow)
524	280854		SEAL, O-Ring -(Dipstick Tube)
527	710100		CLAMP, Hose
580	280854		SEAL, O-Ring -(Oil Fill Cap)
718	710005		PIN, Locating
758	710542		COUNTERWEIGHT
842	691870		SEAL, O-Ring -(Dipstick Tube)
842A	710218		WASHER, Sealing -(Dipstick Tube)
847	710543		DIPSTICK/TUBE ASSEMBLY



REF. NO.	PART NO.	DESCRIPTION	REF. NO.	PART NO.	DESCRIPTION	REF. NO.	PART NO.	DESCRIPTION
5	715375	Head-Cylinder	192	715372	Adjuster-Rocker Arm	1022	Δ710377	Gasket-Rocker Cover
7	Δ710539	Gasket-Cylinder Head	293	710538	Screw (Rocker Arm Shaft)	1023	715376	Cover-Rocker
13	710204	Screw (Cylinder Head)	296	710099	Stud (Muffler)	1026	710373	Rod-Push
33	716079	Valve-Exhaust	383	19576s	Wrench-Spark Plug	1029	710534	Arm-Rocker
34	716080	Valve-Intake	773	710537	Retainer	1031	710533	Shaft-Rocker Arm
35	691279	Spring-Valve (Intake)	868	Δ710979	Seal-Valve	1060	710535	Spring-Rocker Shaft
36	691279	Spring-Valve (Exhaust)	914	710023	Screw (Quantity 3)(Rocker Cover)			
42	715130	Keeper-Valve	914A	710248	Screw (Quantity 1)(Rocker Cover)			
45	710530	Tappet-Valve						
53	710556	Stud (Carburetor)						

Cylinder Head, Valves

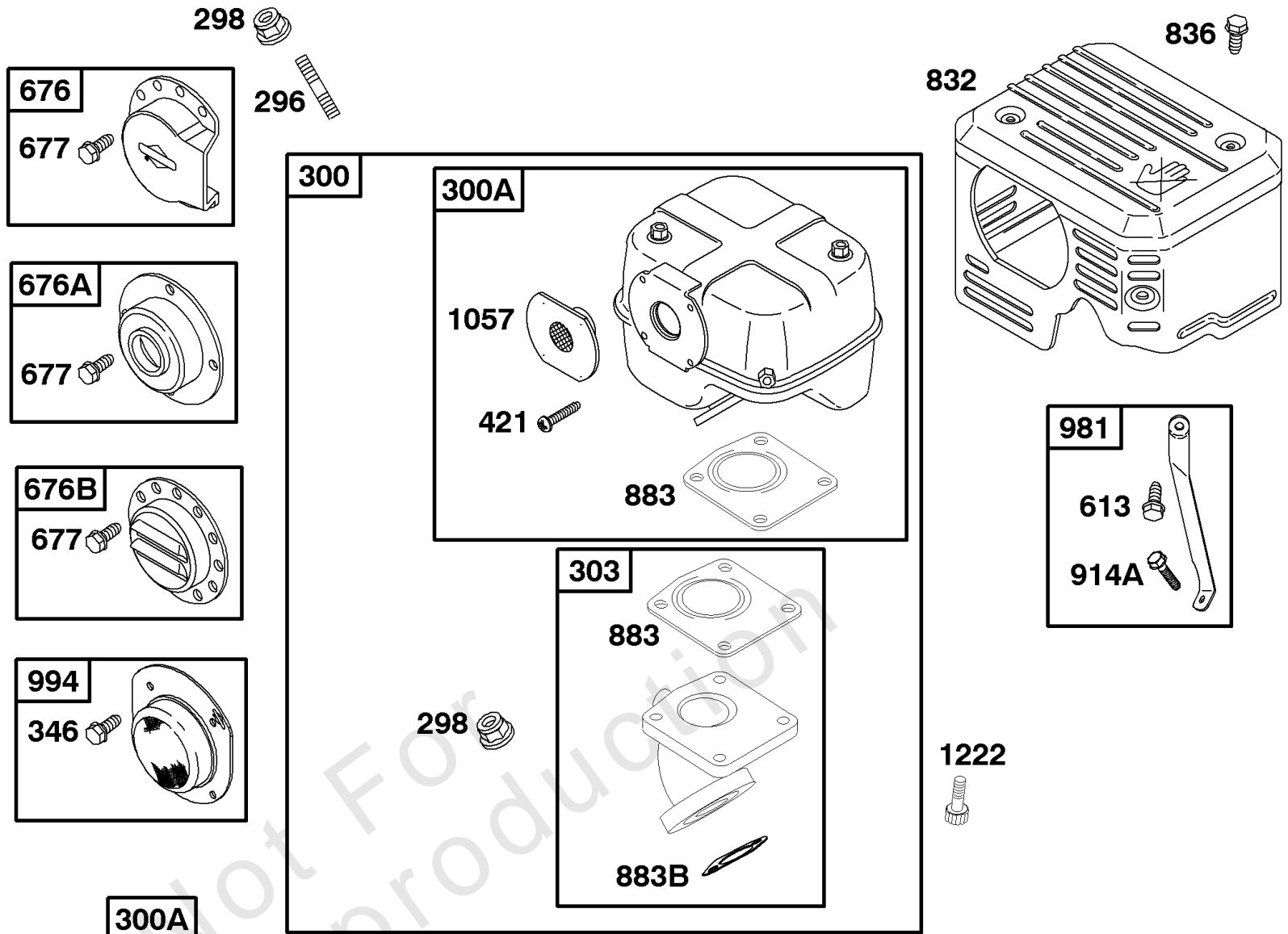
REF NO	PART NO	QTY	DESCRIPTION
5	715375		HEAD, Cylinder
13	710204		SCREW -(Cylinder Head)
33	716079		VALVE, Exhaust
34	716080		VALVE, Intake
35	691279		SPRING, Valve -(Intake)
36	691279		SPRING, Valve -(Exhaust)
42	715130		KEEPER, Valve
45	710530		TAPPET, VALVE
53	710556		STUD -(Carburetor)
192	715372		ADJUSTER, Rocker Arm
293	710538		SCREW -(Rocker Arm Shaft)
296	710099		STUD -(Muffler)
383	19576S		WRENCH, Spark Plug
773	710537		RETAINER
868	710979		SEAL, Valve
914	710023		SCREW -(Rocker Cover) (Quantity 3)
914A	710248		SCREW -(Rocker Cover) (Quantity 1)
1022	710377		GASKET, Rocker Cover
1023	715376		COVER, Rocker
1026	710373		ROD, Push
1029	710534		ARM, Rocker
1031	710533		SHAFT, Rocker Arm
1060	710535		SPRING, Rocker Shaft



REF. NO.	PART NO.	DESCRIPTION	REF. NO.	PART NO.	DESCRIPTION	REF. NO.	PART NO.	DESCRIPTION
309	715208	Motor-Starter (Steel Pinion)	544		Armature-Starter (Service With Starter Motor 715208)	801	715394	Cap-Drive
310	710589	Bolt (Starter Motor)	555	810059	Screw (Starter Solenoid)	802	715393	Cap-End
311	496887	Brush Set	683	691029	Nut Starter Solenoid Terminal)	803	690854	Housing-Starters
413	710081	Nut (Starter Motor)				813	690635	Clamp
493A	691177	Bracket-Mounting				920	691656	Solenoid-Starter
510	496881	Drive-Starters				1009	710348	Screw (Starter Motor)
						1051	691124	Ring-Retaining

Electric Starter

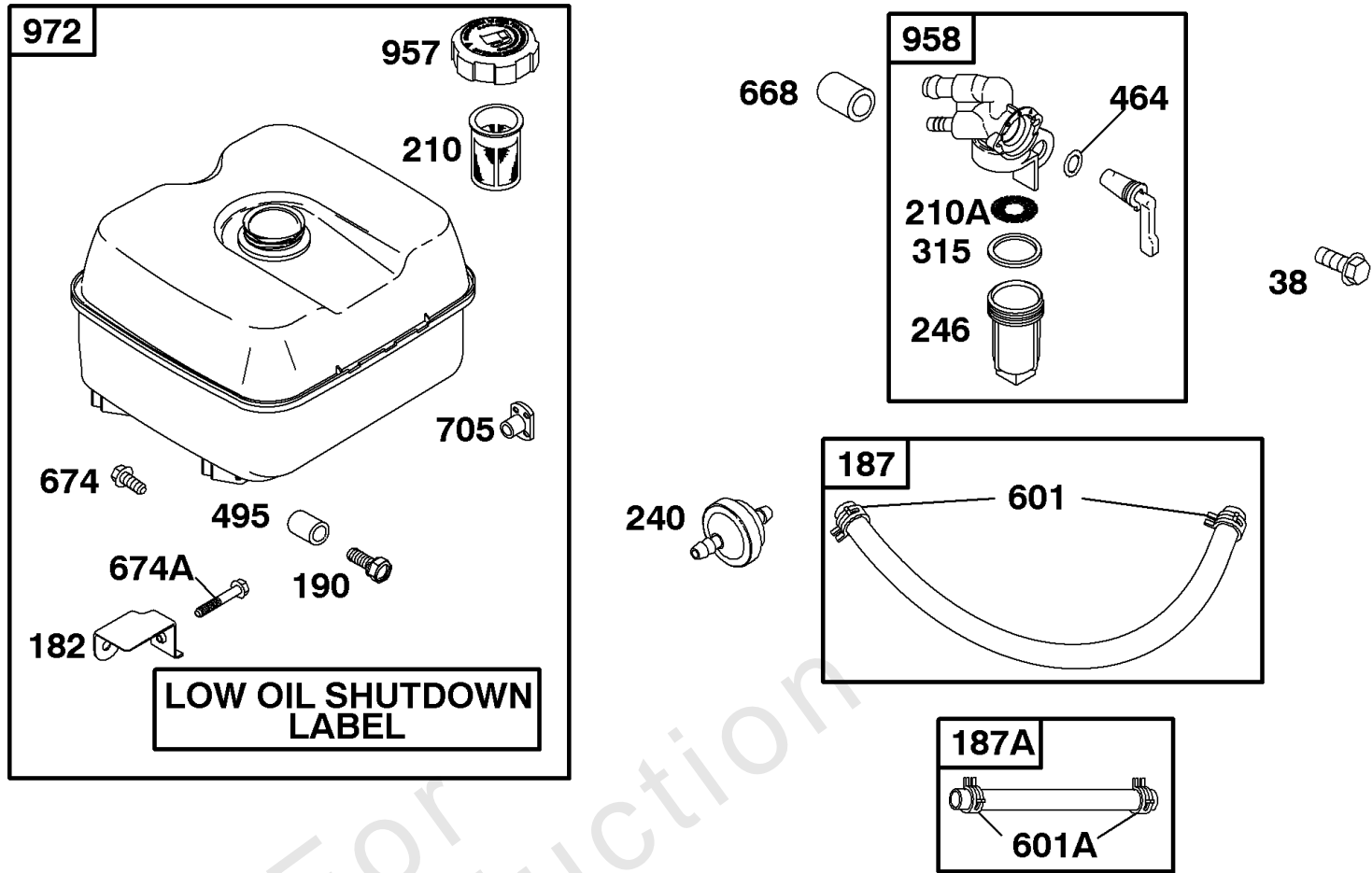
REF NO	PART NO	QTY	DESCRIPTION
309	715208		MOTOR, Starter -(Steel Pinion)
310	710589		SCREW -(Starter Motor)
311	496887		SET, Brush
413	710081		NUT -(Starter Motor)
493A	691177		BRACKET, Mounting
510	496881		DRIVE, Starter
544	-----		Armature-Starter -(Service With Starter Motor 715208)
555	810059		SCREW -(Starter Solenoid)
683	691029		NUT -(Starter Solenoid)
801	715394		CAP, Drive
802	715393		CAP, End
803	690854		HOUSING, Starter -(Air Cleaner Base)
813	690635		CLAMP
920	691656		SOLENOID, Starter
1009	710348		SCREW -(Starter Motor)
1051	691124		RING, Retaining



REF. NO.	PART NO.	DESCRIPTION	REF. NO.	PART NO.	DESCRIPTION	REF. NO.	PART NO.	DESCRIPTION
296	710099	Stud (Muffler)	677	690661	Screw (Muffler Deflector)			(Quantity 1)(Rocker Cover)
298	710090	Locknut-Muffler/Elbow	832	710586	Guard-Muffler	981	715422	Brace-Muffler
300	715894	Muffler	836	710074	Screw (Muffler Guard)	994	392390	Arrestor-Spark
300A	715826	Muffler	883	Δ★711182	Gasket-Exhaust (Used After Code Date 01063000).	1057	710585	Screen-Outlet
303	715824	Elbow-Exhaust	883A	Δ★710250	Gasket-Exhaust (Used Before Code Date 01070100).	1222	711183	Screw (Exhaust Pipe)
346	690661	Screw (Spark Arrester)	883B	Δ★711181	Gasket-Exhaust (Used After Code Date 01063000).			
421	710307	Screw (Outlet Screen)	914A	710248	Screw			
613	710976	Screw (Muffler)						
676	393761	Deflector-Muffler						
676A	396903	Deflector-Muffler						
676B	397630	Deflector-Muffler						

Exhaust System

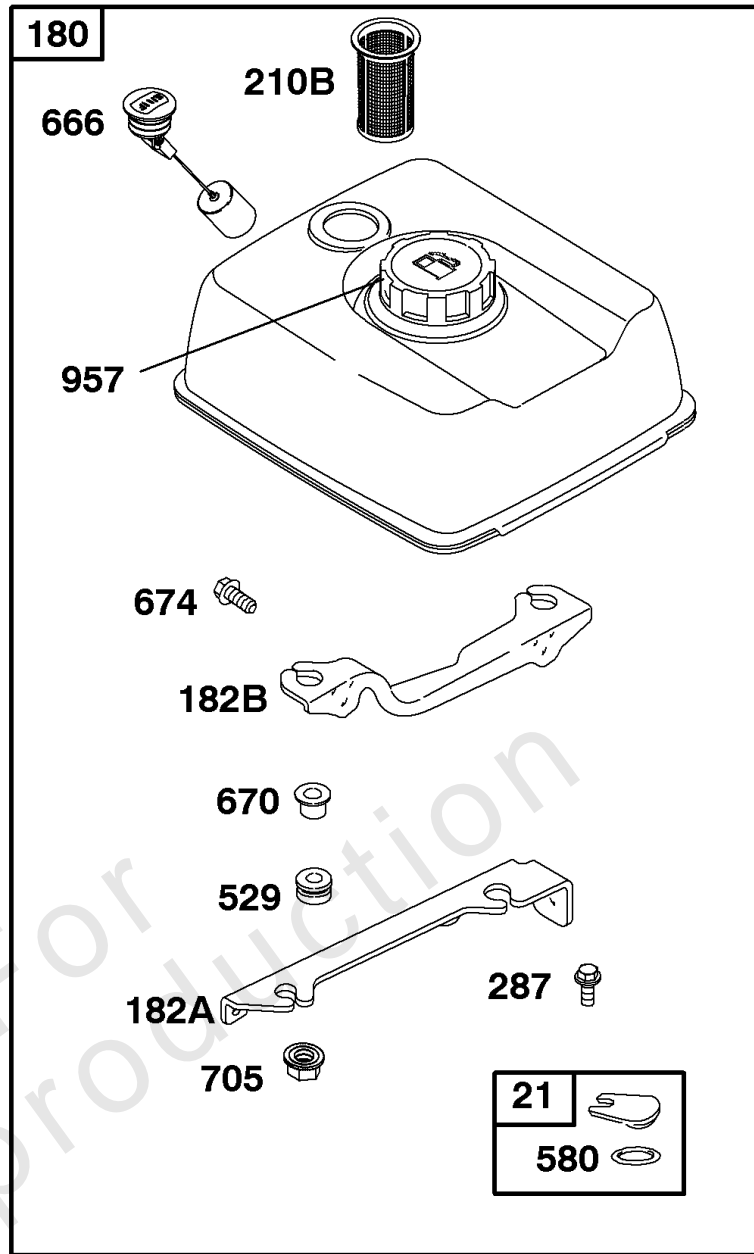
REF NO	PART NO	QTY	DESCRIPTION
296	710099		STUD -(Muffler)
298	710090		LOCKNUT -(Muffler and Elbow)
300	715894		MUFFLER
300A	715826		MUFFLER
303	715824		MANIFOLD, Exhaust
346	690661		SCREW -(Spark Arrestor)
421	710307		SCREW -(Outlet Screen)
613	710976		SCREW -(Muffler)
676	393761		DEFLECTOR, Muffler -(Side Outlet)
676A	396903		DEFLECTOR, Muffler
676B	397630		DEFLECTOR, Muffler -(Louvered Outlet)
677	690661		SCREW -(Muffler Deflector)
832	710586		GUARD, Muffler
836	710074		SCREW -(Muffler Guard)
883	711182		GASKET, Exhaust -Used After Code Date 01063000
883B	711181		GASKET, Exhaust -Used After Code Date 01063000
914A	710248		SCREW -(Rocker Cover) (Quantity 1)
981	715422		BRACE, Muffler
994	392390		ARRESTOR, Spark
1057	710585		SCREEN, Outlet
1222	711183		SCREW -(Exhaust Pipe)



REF. NO.	PART NO.	DESCRIPTION	REF. NO.	PART NO.	DESCRIPTION	REF. NO.	PART NO.	DESCRIPTION
38	710160	Screw (Fuel Shut Off Valve)	210	691370	Strainer-Fuel	705	710509	Nut (Fuel Tank)
182	710491	Bracket-Fuel Tank	210A	710071	Strainer-Fuel	957	491367	Cap-Fuel Tank (Plastic)
187	716125	Line-Fuel (Fuel Tank To Fuel Shut Off Valve) (Cut To Required Length)	240	298090s	Filter-Fuel	958	715224	Valve-Fuel Shut Off
187A	716123	Line-Fuel (Fuel Shut Off Valve To Carburetor) (Cut To Required Length)	246	710070	Bowl-Filter	972	715516	Tank-Fuel (Plastic)
190	710047	Screw (Fuel Tank)	315	710072	Seal-O Ring (Filter Bowl)			
			464	★710069	Seal-O-Ring (Fuel Shut Off Valve)			
			495	710508	Bushing			
			601	711998	Clamp-Hose			
			601A	711925	Clamp-Hose			
			668	710159	Spacer			
			674	710023	Screw (Fuel Tank Bracket)			
			674A	710095	Screw (Fuel Tank Bracket)			

Fuel Supply

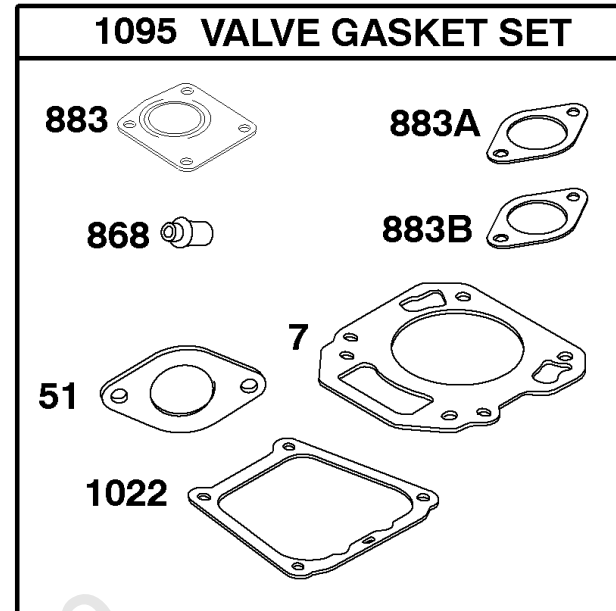
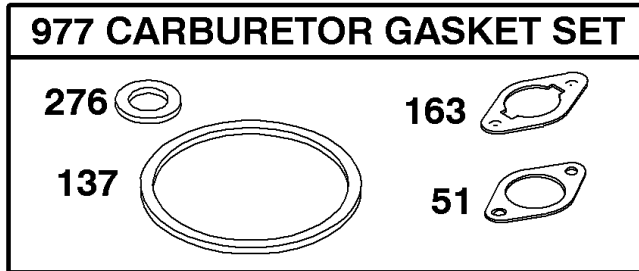
REF NO	PART NO	QTY	DESCRIPTION
38	710160		SCREW -(Shut Off Valve)
182	710491		BRACKET, Fuel Tank
187	715125		LINE, Fuel -(Fuel Tank To Fuel Shut Off Valve)(Cut to Required Length)
187A	716123		LINE, Fuel -(Fuel Shut Off Valve To Carburetor)(Cut To Required Length)
190	710047		SCREW -(Fuel Tank)
210	691370		STRAINER, Fuel
210A	710071		STRAINER, Fuel
240	298090S		FILTER, Fuel
246	710070		BOWL, Fuel Filter
315	710072		SEAL, O-Ring -(Filter Bowl)
464	710069		SEAL, O-Ring -(Fuel Shut-off Valve)
495	710508		SPACER, Fuel Tank
601	711998		CLAMP, Hose
601A	711925		CLAMP, Hose
668	710159		SPACER, Fuel Tank
674	710023		SCREW -(Fuel Tank Bracket)
674	710248		SCREW -(Fuel Tank Bracket)
674A	710095		SCREW -(Fuel Tank Bracket)
705	710068		LOCKNUT -(Fuel Tank)
705	710509		NUT -(Fuel Tank)
957	491367S		CAP, Fuel Tank -(Plastic)
957	710490		CAP, Fuel Tank -(Plastic)
958	715224		VALVE, Fuel Shut Off -(Plastic)
972	715516		TANK, Fuel -(Plastic) (Plastic)



REF. NO.	PART NO.	DESCRIPTION	REF. NO.	PART NO.	DESCRIPTION	REF. NO.	PART NO.	DESCRIPTION
21	493668	Cap-Oil Fill	287	710234	Screw (Dipstick Tube)	670	710247	Spacer-Fuel Tank
180	716177	Tank-Fuel (Metal) (Black)	529	710246	Grommet	674	710248	Screw (Fuel Tank Bracket)
182B	710244	Bracket-Fuel Tank	580	280854	Seal-O Ring (Oil Fill Cap)	705	710068	Nut (Fuel Tank)
182A	710795	Bracket-Fuel Tank	666	710243	Gauge-Fuel	957	710490	Cap-Fuel Tank (Plastic)
210B	710065	Strainer-Fuel						

Fuel Supply

REF NO	PART NO	QTY	DESCRIPTION
21	493668		CAP, Oil Fill
180	716177		TANK, Fuel -(Metal) (Black)
182A	710795		BRACKET, Fuel Tank
182B	710244		BRACKET, Fuel Tank
210B	710065		STRAINER-FUEL
287	710234		SCREW -(Dipstick Tube)
529	710246		GROMMET
580	280854		SEAL, O-Ring -(Oil Fill Cap)
666	710243		GAUGE, Fuel
670	710247		SPACER, Fuel Tank
674	710023		SCREW -(Fuel Tank Bracket)
674	710248		SCREW -(Fuel Tank Bracket)
705	710068		LOCKNUT -(Fuel Tank)
705	710509		NUT -(Fuel Tank)
957	491367S		CAP, Fuel Tank -(Plastic)
957	710490		CAP, Fuel Tank -(Plastic)

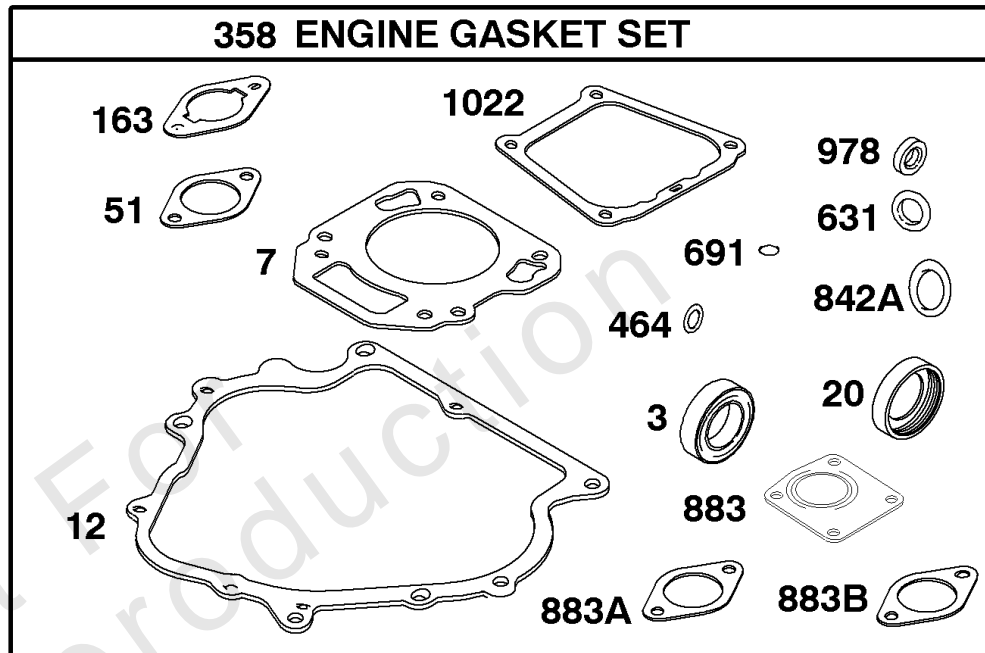
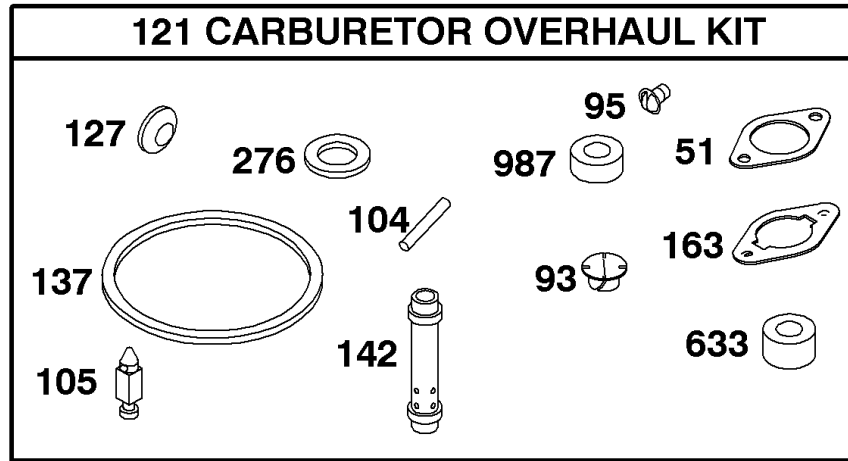


REF. NO.	PART NO.	DESCRIPTION	REF. NO.	PART NO.	DESCRIPTION	REF. NO.	PART NO.	DESCRIPTION
7	Δ★710539	Gasket-Cylinder Head	883	Δ★711182	Gasket-Exhaust (Used After Code Date 01063000).	883B	Δ★711181	Gasket-Exhaust (Used After Code Date 01063000).
51	★◆◆Δ710559	Gasket-Intake	883A	Δ★710250	Gasket-Exhaust (Used Before Code Date 01070100).	977	715391	Gasket Set-Carburetor
137	◆◆281165	Gasket-Float Bowl				1022	Δ★710377	Gasket-Rocker Cover
163	★◆◆710557	Gasket-Air Cleaner				1095	715386	Gasket Set-Valve
276	◆◆692255	Washer-Sealing						
868	Δ710979	Seal-Valve						

Gasket Set-Carburetor, Gasket Set-Valve

REF NO	PART NO	QTY	DESCRIPTION
7	710539		GASKET, Cylinder Head
51	710559		GASKET, Intake
137	281165S		GASKET, Float Bowl
163	710557		GASKET, Air Cleaner -(Air Cleaner)
276	692255		WASHER, Sealing
868	710979		SEAL, Valve
883	711182		GASKET, Exhaust -Used After Code Date 01063000
883A	710250		GASKET, Exhaust -Used Before Code Date 01070100
883B	711181		GASKET, Exhaust -Used After Code Date 01063000
977	715391		SET, Carburetor Gasket
1022	710377		GASKET, Rocker Cover
1095	715386		GASKET SET, Valve

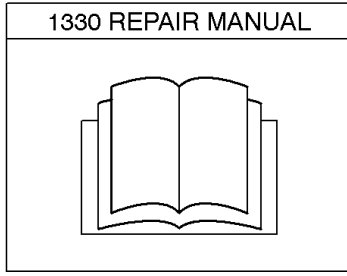
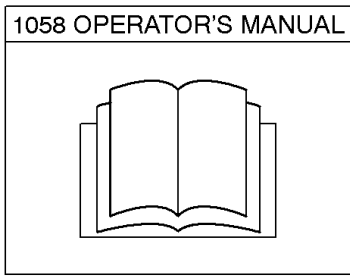
Not For Reproduction



REF. NO.	PART NO.	DESCRIPTION	REF. NO.	PART NO.	DESCRIPTION	REF. NO.	PART NO.	DESCRIPTION
3	★291675	Seal-Oil (Magneto Side)	137	●◆281165	Gasket-Float Bowl	883A	Δ★710250	Gasket-Exhaust (Used Before Code Date 01070100).
7	Δ★710539	Gasket-Cylinder Head	142	●◆498547	Nozzle-Carburetor (Carburetor Part Number 715331)	883B	Δ★711181	Gasket-Exhaust (Used After Code Date 01063000).
12	★710378	Gasket-Crankcase	----- Note -----			978	★710091	Gasket-Oil Gard®
20	★291675	Seal-Oil (PTO Side)	●690668 Nozzle-Carburetor (Carburetor Part Number 715331)			987	●691326	Seal-Throttle Shaft
51	★◆Δ710559	Gasket-Intake				163	★◆710557	Gasket-Air Cleaner
93	●690602	Bushing-Throttle Shaft	276	●◆692255	Washer-Sealing			
95	●94098	Screw (Throttle Valve)	358	715383	Gasket Set-Engine			
104	●690525	Pin-Float Hinge	464	★710069	O-Ring Seal (Fuel Shut Off Valve)			
105	●231855	Valve-Float Needle	631	★710004	Washer (Oil Drain Plug)			
121	715718	Kit-Carburetor Overhaul (Carburetor Part Number 715331)	633	●690597	Seal-Choke/Throttle Shaft			
			----- Note -----					
			691	★710055	Seal-Governor Shaft			
			842A	★710218	Seal-O Ring (Dipstick Tube)			
127	●695005	Plug-Welch						

Gasket Set-Engine, Kit-Carburetor Overhaul

REF NO	PART NO	QTY	DESCRIPTION
3	291675S		SEAL, Oil -(Magneto Side)
7	710539		GASKET, Cylinder Head
12	710378		GASKET, Crankcase
20	291675S		SEAL, Oil -(PTO Side)
51	710559		GASKET, Intake
93	690602		BUSHING, Throttle Shaft
95	691636		SCREW -(Throttle Valve)
104	690525		PIN, Float Hinge
105	231855S		VALVE-FLOAT NEEDLE
121	715718		KIT, Carburetor Overhaul -(Carburetor Part Number 715331)
121	715387		KIT, Carburetor Overhaul -(Carburetor Part Number 715400)
127	695005		PLUG, Welch
137	281165S		GASKET, Float Bowl
142	690668		NOZZLE, Carburetor -(Standard) (Carburetor Part Number 715400)
142	498547		NOZZLE, Carburetor -(Standard) (Carburetor Part Number 715331)
163	710557		GASKET, Air Cleaner -(Air Cleaner)
276	692255		WASHER, Sealing
358	715383		GASKET SET, Engine
464	710069		SEAL, O-Ring -(Fuel Shut-off Valve)
631	710004		WASHER -(Oil Drain Plug)
633	690597		SEAL, Choke/Throttle Shaft
691	710055		SEAL, Governor Shaft
842A	710218		WASHER, Sealing -(Dipstick Tube)
883	711182		GASKET, Exhaust -Used After Code Date 01063000
883A	710250		GASKET, Exhaust -Used Before Code Date 01070100
883B	711181		GASKET, Exhaust -Used After Code Date 01063000
978	710091		GASKET, Oil Guard
987	691326		SEAL, Choke/Throttle Shaft
1022	710377		GASKET, Rocker Cover

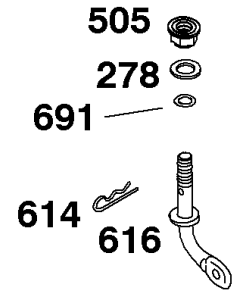
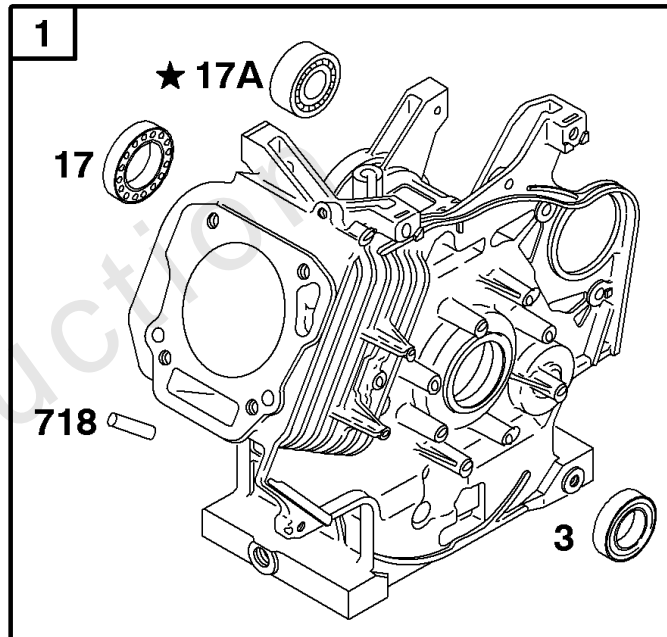
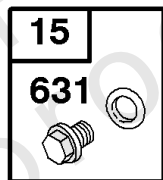
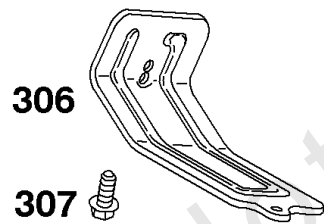
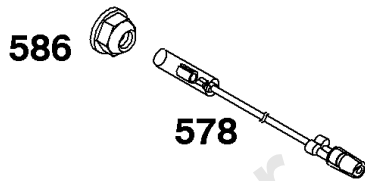
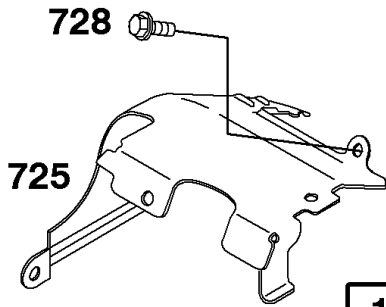
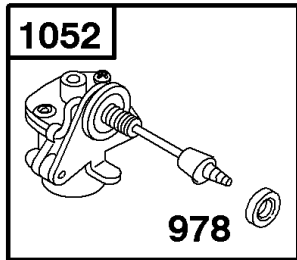


1319 WARNING LABEL

WARNING

- Read and follow Operating Instructions before running engine.
- Gasoline is flammable. Allow engine to cool at least 2 minutes before refueling.
- Engines emit carbon monoxide, DO NOT run in enclosed area.
- Muffler area temperature may exceed 150°F. Do not touch hot parts.

REQUIRED when replacing parts with warning labels affixed.



★ **REQUIRES SPECIAL TOOLS TO REPLACE. SEE REPAIR INSTRUCTION MANUAL.**

REF. NO.	PART NO.	DESCRIPTION	REF. NO.	PART NO.	DESCRIPTION	REF. NO.	PART NO.	DESCRIPTION
1	715355	Cylinder Assembly ----- Note ----- 715356 Cylinder Assembly Used on Type No(s). 0120, 0520. 715357 Cylinder Assembly Used on Type No(s). 0043, 0074, 0076, 0080, 0084, 0280, 0284, 0522.	17	710528	Bearing-Ball			(Oil Sensor)
			17A	710482	Bearing-Ball	614	710056	Pin-Cotter
			227	710561	Lever-Governor Control	616	710560	Crank-Governor
			278	710058	Washer (Governor Control Lever)	631	★710004	Washer (Oil Drain Plug)
			306	710242	Shield-Cylinder	691	★710055	Seal-Governor Shaft
			307	710023	Screw (Cylinder Shield)	718	710005	Pin-Locating
			505	710059	Nut (Governor Control Lever)	725	710568	Shield-Heat
3	★291675	Oil-Seal (Magneto Side)	578	710308	Wire Assembly	728	710023	Screw (Heat Shield)
15	715000	Plug-Oil Drain	586	710090	Nut	978	★710091	Gasket-Oil Gard®
						1052	715353	Sensor-Oil
						1058	MS3824	Owner's Manual
						1319	794467	Label-Warning
						1330	272147	Repair Manual

Oil Sensor Group, Operator's Manual, Repair Manual, Warning Label

REF NO	PART NO	QTY	DESCRIPTION
1	715357		CYLINDER ASSEMBLY
3	291675S		SEAL, Oil -(Magneto Side)
15	715000		PLUG, Oil Drain
17	710528		BEARING, Ball
17A	710482		BEARING, Ball
227	710561		LEVER, Governor Control
278	710058		WASHER -(Governor Lever)
306	710242		SHIELD, Cylinder
307	710023		SCREW -(Cylinder Shield)
505	710059		NUT -(Governor Lever)
578	710308		WIRE ASSEMBLY -(1 Wire, 11-13/16)(Supported Snap Connect Pin terminal WithGroove, And Snap Connect Female Blade Terminal))
586	710090		LOCKNUT -(Oil Sensor)
614	710056		PIN, Cotter
616	710560		CRANK, Governor
631	710004		WASHER -(Oil Drain Plug)
691	710055		SEAL, Governor Shaft
718	710005		PIN, Locating
725	710568		SHIELD, Heat
728	710023		SCREW -(Heat Shield)
978	710091		GASKET, Oil Guard
1052	715353		SENSOR, Oil
1058	MS3824		MANUAL, Operator's
1319	794467		LABEL, Warning
1330	272147		MANUAL, Repair

Replacement Engine - Europe, Middle East & Africa

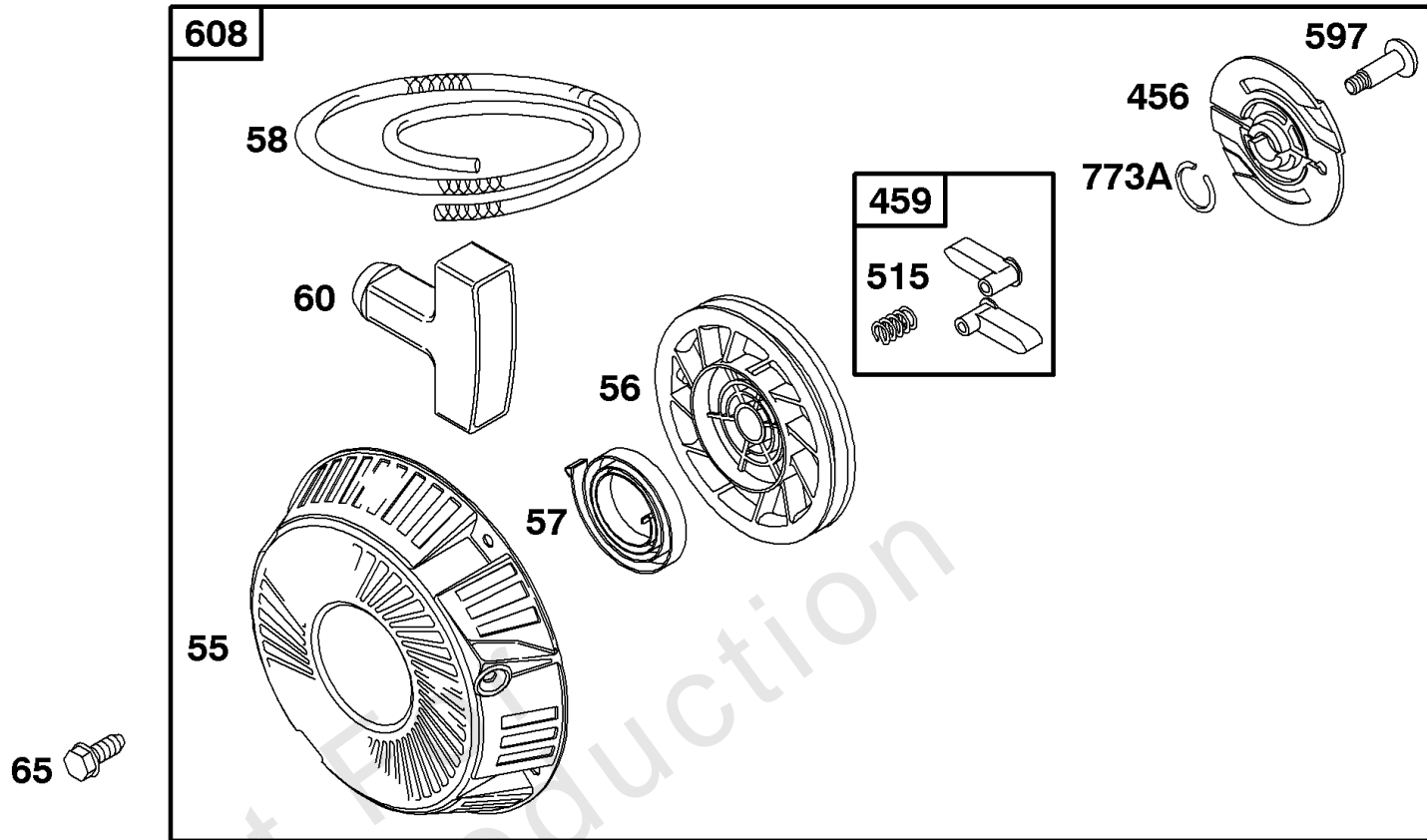
REF NO	PART NO	QTY	DESCRIPTION
	25T2370109F1BR7001		Replacement Engine
	-----		Top No-Load Speed: 3600
	-----		Service Note: 6.6L FUEL TANK
	-----		Service Note: CHECK NEW ENGINE DIMENSION WILL FIT EQUIPMENT
	-----		Service Note: ELECTRIC START

Not For Reproduction

Replacement Engine - US & Canada

REF NO	PART NO	QTY	DESCRIPTION
	2454370284	1	Replacement Engine
	-----		Top No-Load Speed: 3600 -Trim: ALL
	-----		Service Note: For all Go-Karts use only a Model 136200 series engine as a replacement, regardless of the original Model.

Not For Reproduction



REF. NO.	PART NO.	DESCRIPTION	REF. NO.	PART NO.	DESCRIPTION	REF. NO.	PART NO.	DESCRIPTION
55	691568	Housing-Rewind Starter	60	490652	Grip-Starter Rope	597	690876	Screw (Pawl Friction Plate)
56	692085	Pulley-Starter	65	710074	Screw (Rewind Starter)	608	692102	Starter-Rewind
57	692086	Spring-Rewind Starter	456	691529	Plate-Pawl Friction	773A	690875	Retainer
58	66574	Rope-Starter (Cut To Required Length)	459	808166	Pawl-Ratchet			
			515	691528	Spring-Pawl			

Rewind Starter

REF NO	PART NO	QTY	DESCRIPTION
55	691568		HOUSING, Rewind Starter
56	692085		PULLEY, Rope Starter
57	692086		SPRING, Rewind Starter
58	66574		ROPE, Starter -(Cut To Required Length)
60	490652		GRIP-STARTER ROPE
65	710074		SCREW -(Rewind Starter)
456	691529		PLATE, Pawl Friction
459	808166		PAWL, Ratchet
515	691528		SPRING, Pawl
597	690876		SCREW -(Pawl Friction Plate)
608	692102		STARTER, Rewind
773A	690875		RETAINER

Not For Reproduction

WANGUARD[®]

COMMERCIAL POWER



BRIGGS & STRATTON[®]