



# 零件手册

制造编号: 235437-0084-01



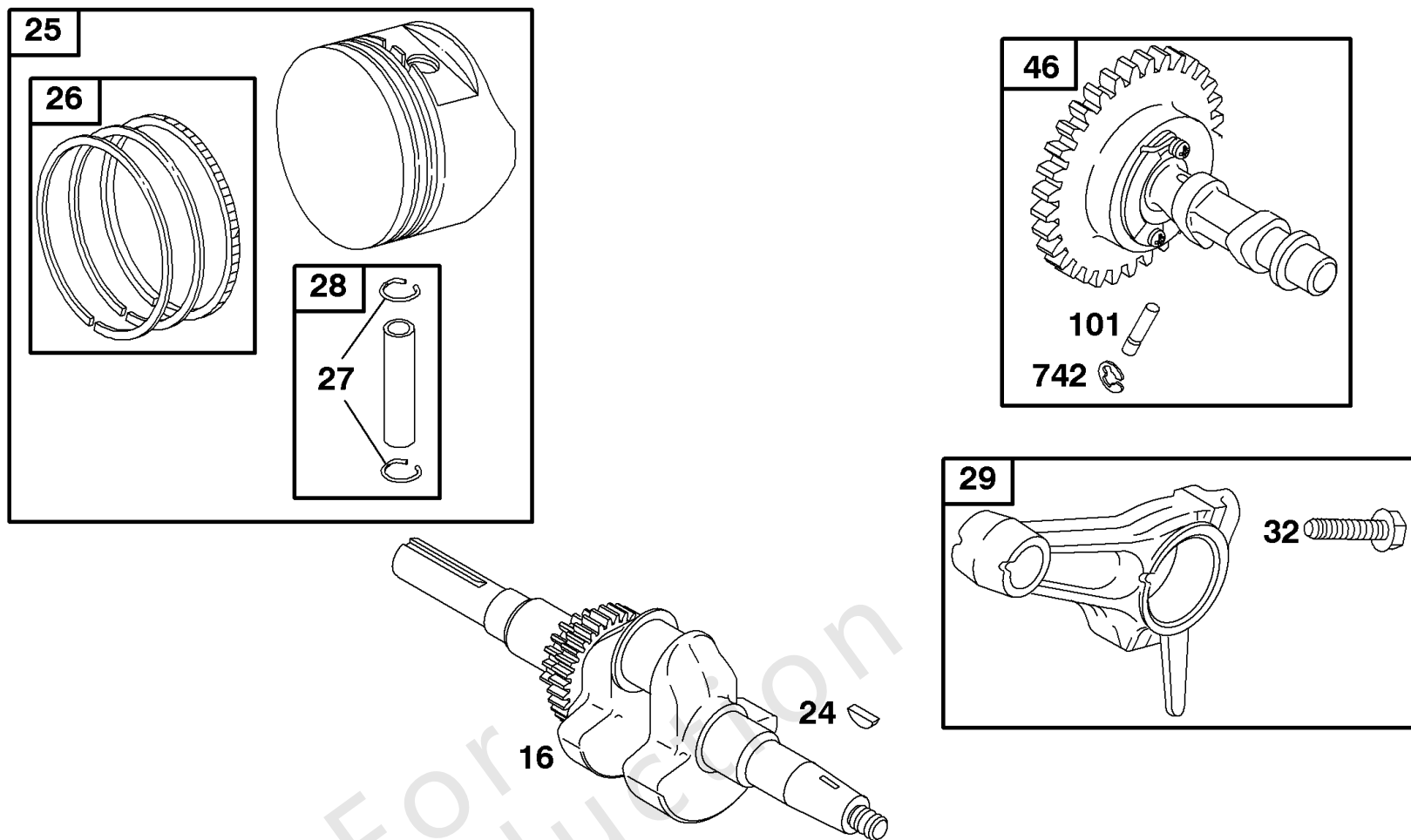
模型组件	页
Replacement Engine - Europe, Middle East & Africa.....	4
凸轮轴, 曲轴, 活塞, 环, 连杆.....	5
化油器.....	7
发电线圈, 点火.....	9
启动拉盘.....	11
垫片组 - 化油器, 垫片组 - 阀门.....	13
垫片组 - 发动机, 套件 - 化油器大修.....	15
导风罩, 控制面板, 飞轮.....	17
排气系统.....	19
控制.....	21
曲轴箱盖, 润滑.....	23
替代发动机-美国和加拿大.....	25
机油传感器组, 操作员手册, 维修手册, 警告标签.....	26
燃料供应.....	28
燃料供应.....	30
电启动器.....	32
空气滤清器.....	34
缸头, 阀门.....	36

Not For  
Reproduction

## Replacement Engine - Europe, Middle East & Africa

参考编号	零件号	数量	描述
	25T2370109F1BR7001		更换发动机
	-----		Top No-Load Speed: 3600
	-----		Service Note: 6.6L FUEL TANK
	-----		Service Note: CHECK NEW ENGINE DIMENSION WILL FIT EQUIPMENT
	-----		Service Note: ELECTRIC START

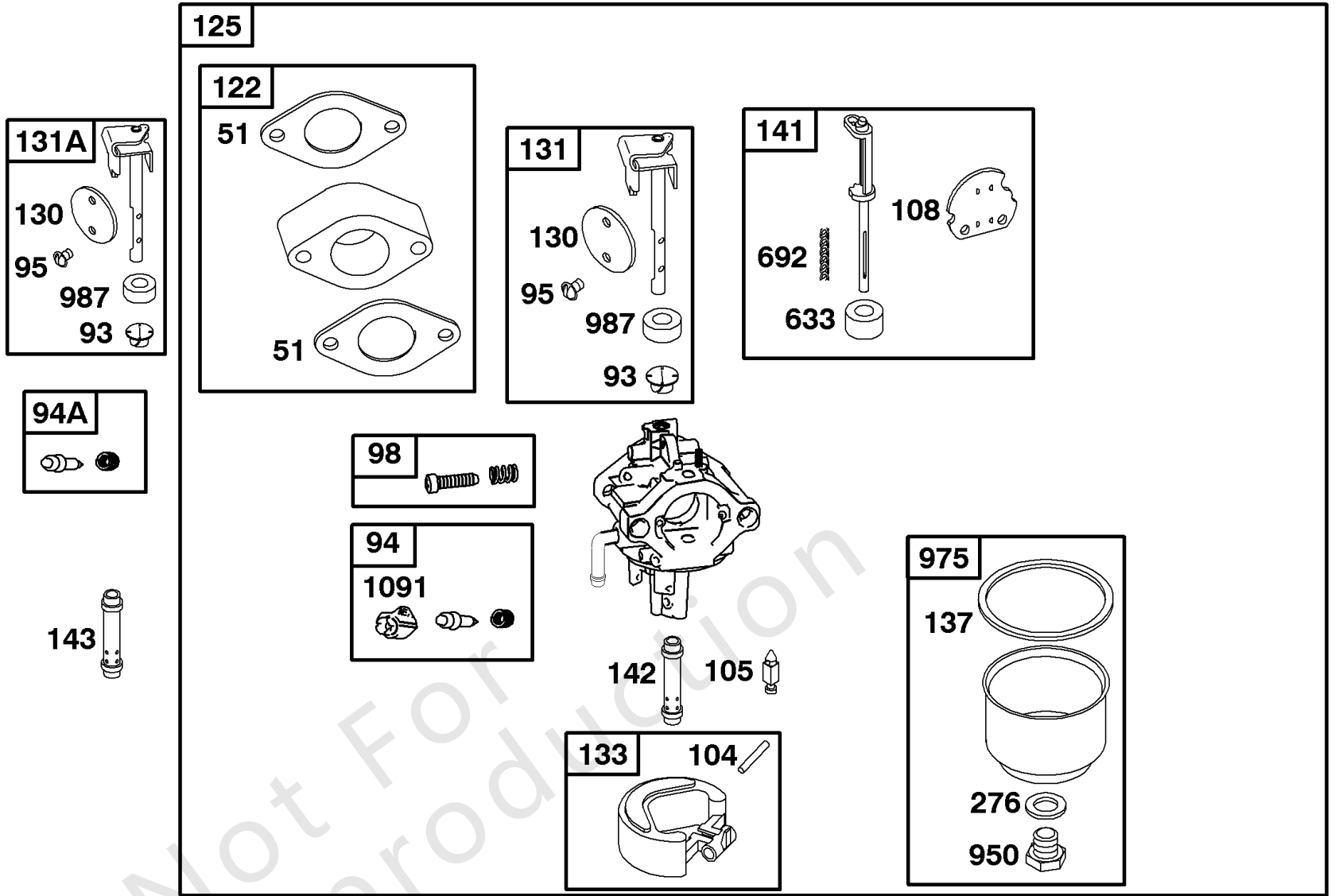
Not For Reproduction



REF. NO.	PART NO.	DESCRIPTION	REF. NO.	PART NO.	DESCRIPTION	REF. NO.	PART NO.	DESCRIPTION
16	715342	Crankshaft (SAE 1" Keyway) Used on Type No(s). 0035, 0037, 0076, 0084, 0120, 0122, 0235, 0276, 0284, 0520, 0522, 0540. ----- <b>Note</b> ----- 715343 Crankshaft (SAE Taper) Used on Type No(s). 0042, 0070, 0071, 0074, 0080, 0083, 0090, 0280 0290, 0595, 0596. 715344 Crankshaft (SAE 1" Thread) Used on Type No(s). 0043, 0047, 0247, 0561. 715700 Crankshaft (JIS Taper) Used on Type No(s). 0058.	24	710037	Key-Flywheel	27	691792	Lock-Piston Pin
			25	715793	Piston Assembly (Standard) ----- <b>Note</b> ----- 715797 Piston Assembly (.020" Oversize)	28	715407	Pin-Piston (Standard)
			26	715346	Ring Set (Standard) ----- <b>Note</b> ----- 715368 Ring Set (.020" Oversize)	29	715345	Rod-Connecting ----- <b>Note</b> ----- 715366 Rod- Connecting (.020" Undersize)
						32	710221	Screw (Connecting Rod)
						46	716237	Camshaft
						101	710547	Pin-Shaft
						742	710548	Retainer-E Ring

## 凸轮轴, 曲轴, 活塞, 环, 连杆

参考编号	零件号	数量	描述
16	715342		曲轴 - (SAE 1键槽)
24	710037		钥匙, 飞轮
25	715797		活塞组件 - (.020加大)
25	715793		活塞组件 - (标准)
26	715368		套装, 戒指 - (.020加大)
26	715346		套装, 戒指 - (标准)
27	691792		锁, 活塞销
28	715407		销, 活塞 - (标准)
29	715345		杆, 连接
29	715366		杆, 连接 - (.020 Undersize)
32	710221		拧 - (连杆)
46	715369		凸轮轴
101	710547		销, 轴
742	710548		固定器, E戒指

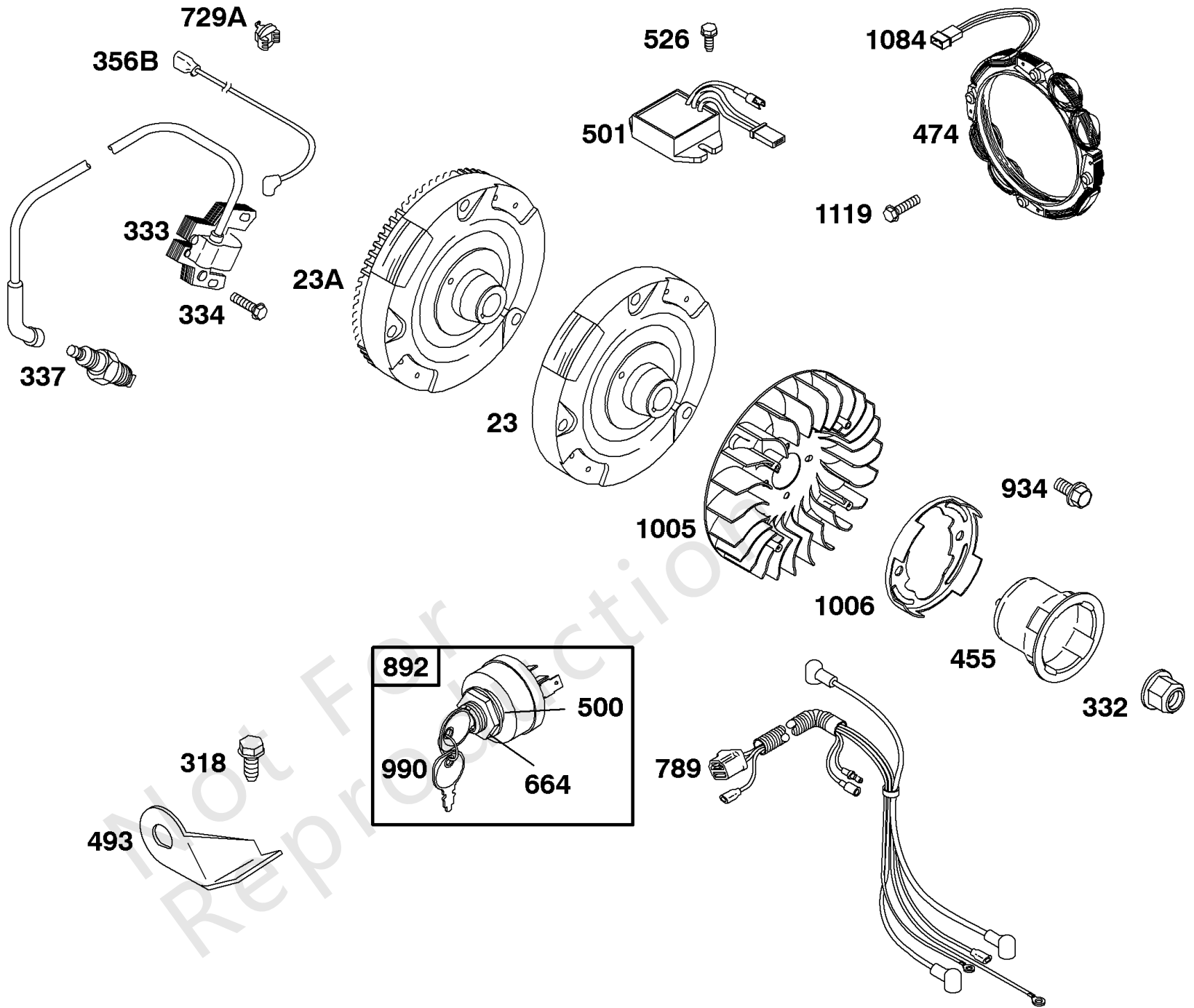


REF. NO.	PART NO.	DESCRIPTION	REF. NO.	PART NO.	DESCRIPTION	REF. NO.	PART NO.	DESCRIPTION
51	710559	Gasket-Intake	130	690468	Valve-Throttle	143	498173	Nozzle-Carburetor (High Altitude) (Carburetor Part Number 715400)
93	690602	Bushing-Throttle Shaft	131	715388	Kit-Throttle Shaft (Carburetor Part Number 715331)	276	692255	Washer-Sealing
94	498030	Kit-Idle Mixture (Carburetor Part Number 715331)	131A	715379	Kit-Throttle Shaft (Carburetor Part Number 715400)	633	690597	Seal-Choke/Throttle Shaft
----- Note -----			133	494381	Float-Carburetor	692	691301	Spring-Detent
	716236	Kit-Idle Mixture (Carburetor Part Number 715792)	137	281165	Gasket-Float Bowl	950	691657	Screw-Float Bowl
94A	496589	Kit-Idle Mixture (Carburetor Part Number 715400)	141	715382	Kit-Choke Shaft	975	495933	Bowl-Float
95	691636	Screw (Throttle Valve)	142	498547	Nozzle-Carburetor (Carburetor Part Number 715331)	987	691326	Seal-Throttle Shaft
98	495800	Kit-Idle Speed	----- Note -----			1091	691333	Cap-Limiter
104	690525	Pin-Float Hinge		690668	Nozzle-Carburetor (Carburetor Part Number 715400)			
105	231855s	Valve-Float Needle						
108	691227	Valve-Choke						
122	715377	Spacer-Carburetor						
125	715782	Carburetor (Carburetor Part Number 715742)						

## 化油器

参考编号	零件号	数量	描述
51	710559		垫片, 进气管
93	690602		衬套, 节流轴
94	498030		套件, 怠速混合物 - (化油器部件号715331)
94	716236		套件, 怠速混合物 - (化油器uretor Part Number 715742)
94A	496589		套件, 怠速混合物 - (化油器部件号715400)
95	691636		拧 - (节气门)
98	495800		套件, 怠速 - (怠速) (Lmt 54,55,91)
104	690525		销, 浮子合页
105	231855S		Valve-Float Needle
108	691227		阀门, 阻风门
122	715377		垫片, 化油器
125	715782		化油器 - (化油器uretor Part Number 715742)
130	690468		阀门, 节气门
131	715388		套件, 节气门轴 - (化油器部件号715331)
131A	715379		套件, 节气门轴 - (化油器部件号715400)
133	494381		浮子, 化油器
137	281165S		垫片, 浮子碗
141	715382		套件, 阻风门 轴
142	498547		喷嘴, 化油器 - (标准) (化油器部件号715331)
142	690668		喷嘴, 化油器 - (标准) (化油器零件号715400)
143	498173		喷嘴, 化油器 - (高海拔) (化油器零件号715400)
276	692255		垫片, 密封
633	690597		密封, 阻风门/节气门轴
692	691301		弹簧, 骑兵
950	691657		拧 - (浮碗)
975	495933		碗, 浮子 - (浮碗)
987	691326		密封, 阻风门/节气门轴
1091	691333		盖, 限制器

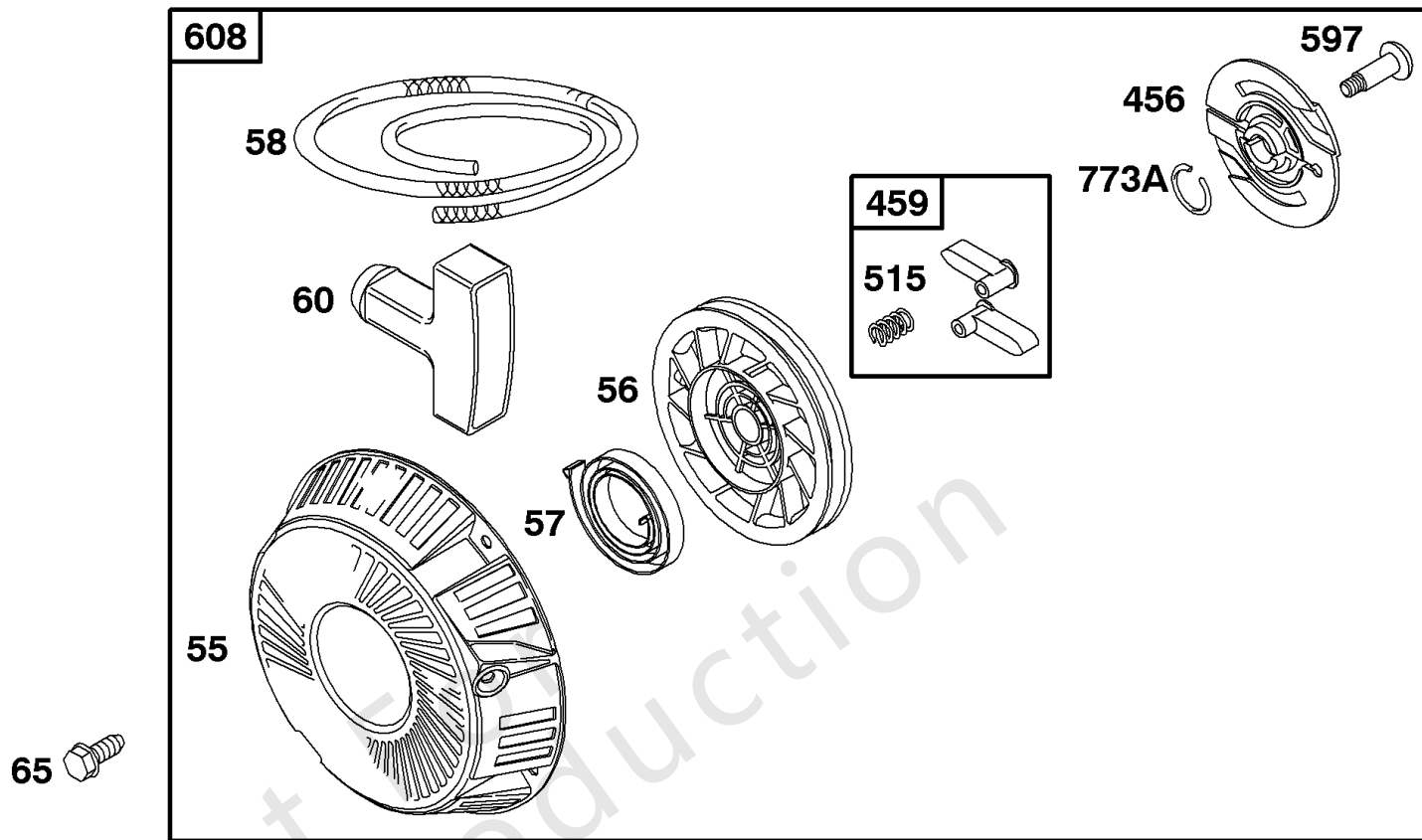




REF. NO.	PART NO.	DESCRIPTION	REF. NO.	PART NO.	DESCRIPTION	REF. NO.	PART NO.	DESCRIPTION
23	715265	Flywheel			(Magneto Armature)	729A	710046	Clip-Wire
23A	715258	Flywheel	337	491055s	Plug-Spark	789	710576	Harness-Wiring
		----- Note -----	356B	710324	Wire-Stop	892	692318	Switch-Key
		715260 Flywheel	455	710588	Cup-Flywheel	934	710550	Screw
		Used on Type No(s).	474	715798	Alternator			(Fan Retainer)
		0084, 0122, 0284,	493	710575	Bracket-Mounting	990	392832	Key Set
		0522.	500	691086	Washer	1005	280687	Fan-Flywheel
318	710057	Screw			(Key Switch)	1006	690452	Retainer-Fan
		(Mounting Bracket)	501	394890	Regulator	1084	710386	Terminal Connector
332	710345	Nut	526	710057	Screw	1119	690938	Screw
		(Flywheel)			(Regulator)			(Alternator)
333	492341	Armature-Magneto	664	691087	Nut			
334	690938	Screw			(Key Switch)			

## 发电线圈, 点火

参考编号	零件号	数量	描述
23A	715260		飞轮
318	710057		拧 - (安装支架)
332	710345		坚果 - (飞轮)
333	492341		电枢, 磁电机
334	690938		拧 - (磁电枢)
337	491055S		塞, 火花
337	84007216		塞, 火花 -(China Only)
356B	710324		线, 停止
455	710588		杯, 飞轮
474	715798		发马达
493	710575		支架, 安装
500	691086		垫圈 - (钥匙开关)
501	691185		整流器 - (16安培调节)
526	710057		拧 - (整流器)
664	691087		坚果 - (钥匙开关)
729A	710046		夹子, 线
789	710576		线束, 接线
892	692318		开关, 钥匙
934	710550		拧 - (风扇保持器)
990	691959		套装, Key
1005	691905		风扇, 飞轮
1006	690452		保留者, 范
1084	710386		连接器, 终端
1119	690938		拧 - (发电线圈)

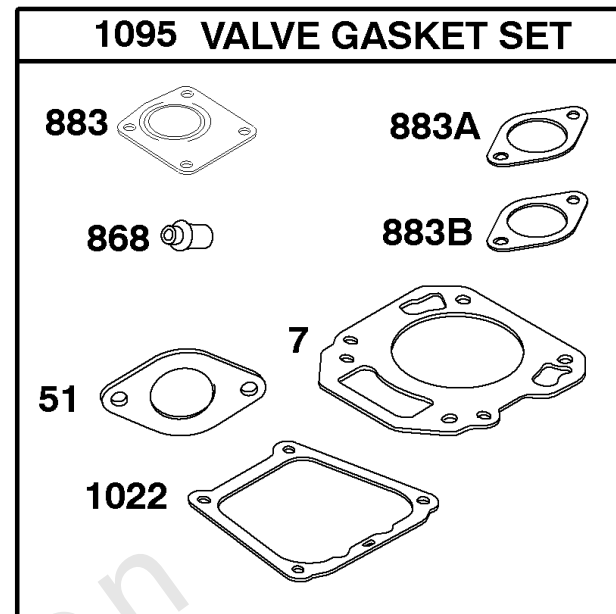
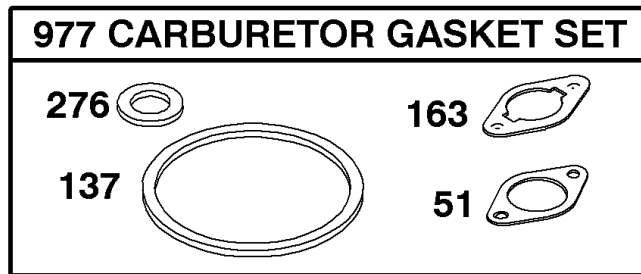


REF. NO.	PART NO.	DESCRIPTION	REF. NO.	PART NO.	DESCRIPTION	REF. NO.	PART NO.	DESCRIPTION
55	691568	Housing-Rewind Starter	60	490652	Grip-Starter Rope	597	690876	Screw (Pawl Friction Plate)
56	692085	Pulley-Starter	65	710074	Screw (Rewind Starter)	608	692102	Starter-Rewind
57	692086	Spring-Rewind Starter	456	691529	Plate-Pawl Friction	773A	690875	Retainer
58	66574	Rope-Starter (Cut To Required Length)	459	808166	Pawl-Ratchet			
			515	691528	Spring-Pawl			

## 启动拉盘

参考编号	零件号	数量	描述
55	691568		壳, 自绕回弹入门
56	692085		滑轮, 绳启动
57	692086		弹簧, 启动拉盘
58	66574		绳, 启动 - (切成所需长度)
60	490652		GRIP-STARTER ROPE
65	710074		拧 - (启动拉盘)
456	691529		板, 棘爪摩擦
459	808166		爪, 棘轮
515	691528		弹簧, 爪
597	690876		拧 - (棘爪摩擦片)
608	692102		启动, 自绕回弹
773A	690875		固定器

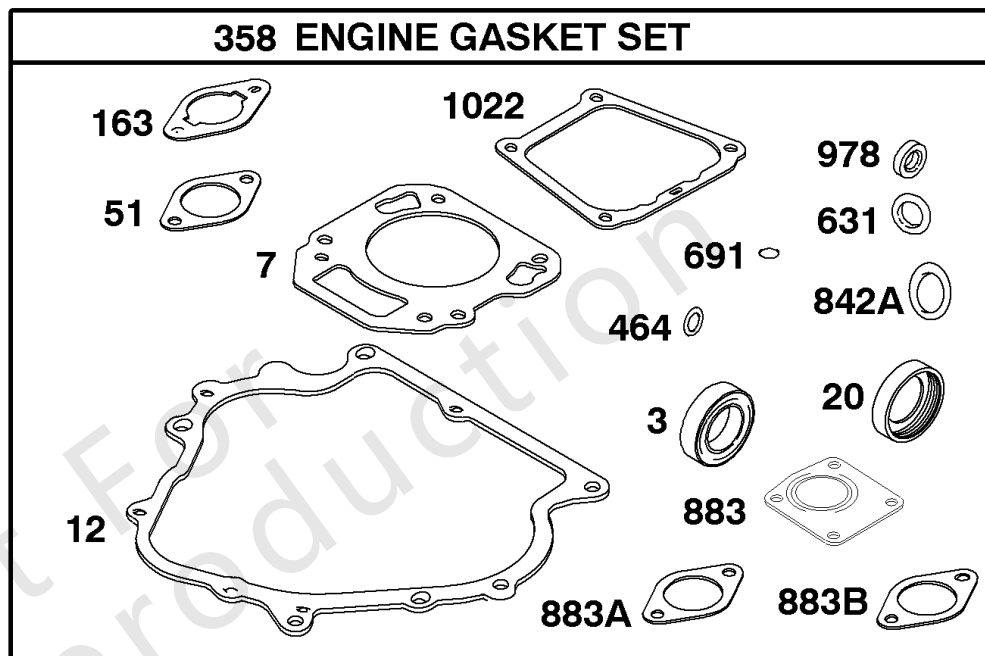
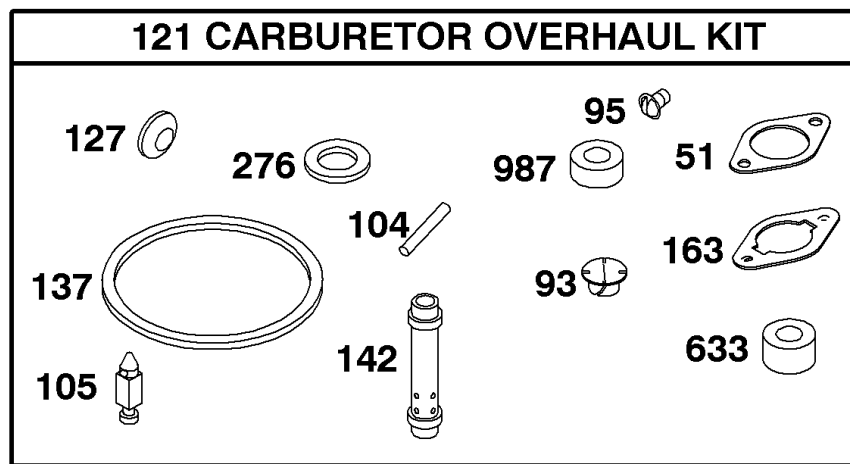
Not For Reproduction



REF. NO.	PART NO.	DESCRIPTION	REF. NO.	PART NO.	DESCRIPTION	REF. NO.	PART NO.	DESCRIPTION
7	Δ★710539	Gasket-Cylinder Head	883	Δ★711182	Gasket-Exhaust (Used After Code Date 01063000).	883B	Δ★711181	Gasket-Exhaust (Used After Code Date 01063000).
51	★◆Δ710559	Gasket-Intake	883A	Δ★710250	Gasket-Exhaust (Used Before Code Date 01070100).	977	715391	Gasket Set-Carburetor
137	◆◆281165	Gasket-Float Bowl				1022	Δ★710377	Gasket-Rocker Cover
163	★◆◆710557	Gasket-Air Cleaner				1095	715386	Gasket Set-Valve
276	◆◆692255	Washer-Sealing						
868	Δ710979	Seal-Valve						

## 垫片组 - 化油器, 垫片组 - 阀门

参考编号	零件号	数量	描述
7	710539		垫片, 缸头
51	710559		垫片, 进气管
137	281165S		垫片, 浮子碗
163	710557		垫片, 空气滤清器 - (空气滤清器)
276	692255		垫片, 密封
868	710979		密封, 阀门
883	711182		垫片, 排气 -在代码日期01063000 -之后使用
883A	710250		垫片, 排气 -在代码日期01070100 -之前使用
883B	711181		垫片, 排气 -在代码日期01063000 -之后使用
977	715391		套装, 化油器垫片
1022	710377		垫片, 摇杆盖
1095	715386		垫片包, 阀门

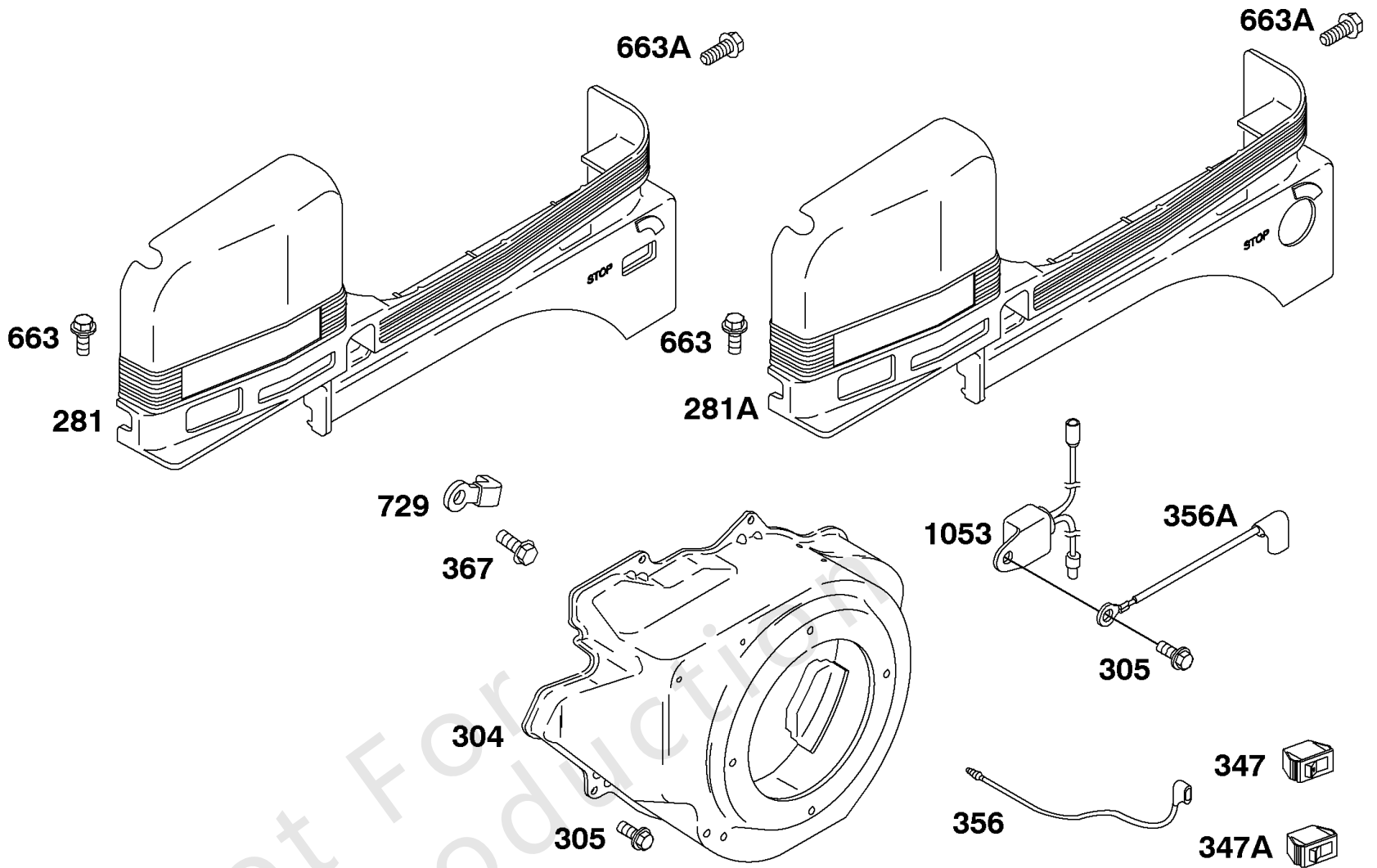


REF. NO.	PART NO.	DESCRIPTION	REF. NO.	PART NO.	DESCRIPTION	REF. NO.	PART NO.	DESCRIPTION
3	★291675	Seal-Oil (Magneto Side)	137	●◆281165	Gasket-Float Bowl	883A	Δ★710250	Gasket-Exhaust (Used Before Code Date 01070100).
7	Δ★710539	Gasket-Cylinder Head	142	●◆498547	Nozzle-Carburetor (Carburetor Part Number 715331)	883B	Δ★711181	Gasket-Exhaust (Used After Code Date 01063000).
12	★710378	Gasket-Crankcase	----- Note -----			978	★710091	Gasket-Oil Gard®
20	★291675	Seal-Oil (PTO Side)	●◆690668 Nozzle-Carburetor (Carburetor Part Number 715331)			987	●◆691326	Seal-Throttle Shaft
51	★◆Δ710559	Gasket-Intake				163	★◆710557	Gasket-Air Cleaner
93	●◆690602	Bushing-Throttle Shaft	276	●◆692255	Washer-Sealing			
95	●◆94098	Screw (Throttle Valve)	358	715383	Gasket Set-Engine			
104	●◆690525	Pin-Float Hinge	464	★710069	O-Ring Seal (Fuel Shut Off Valve)			
105	●◆231855	Valve-Float Needle	631	★710004	Washer (Oil Drain Plug)			
121	715718	Kit-Carburetor Overhaul (Carburetor Part Number 715331)	633	●◆690597	Seal-Choke/Throttle Shaft			
			----- Note -----					
			691	★710055	Seal-Governor Shaft			
			842A	★710218	Seal-O Ring (Dipstick Tube)			
127	●◆695005	Plug-Welch	715387		Kit-Carburetor Overhaul (Carburetor Part Number 715400)			

## 垫片组 - 发动机, 套件 - 化油器大修

参考编号	零件号	数量	描述
3	291675S		海豹油 - (磁铁侧)
7	710539		垫片, 缸头
12	710378		垫片, 曲轴箱盖
20	291675S		海豹油 - (PTO方)
51	710559		垫片, 进气管
93	690602		衬套, 节流轴
95	691636		拧 - (节气门)
104	690525		销, 浮子合页
105	231855S		Valve-Float Needle
121	715718		套件, 化油器大修 - (化油器部件号715331)
121	715387		套件, 化油器大修 - (化油器部件号715400)
127	695005		塞, 韦尔奇
137	281165S		垫片, 浮子碗
142	690668		喷嘴, 化油器 - (标准) (化油器零件号715400)
142	498547		喷嘴, 化油器 - (标准) (化油器部件号715331)
163	710557		垫片, 空气滤清器 - (空气滤清器)
276	692255		垫片, 密封
358	715383		垫片包, 发动机
464	710069		密封圈, O形圈 - (燃油切断阀)
631	710004		垫圈 - (排油塞)
633	690597		密封, 阻风门/节气门轴
691	710055		海豹, 调速轴
842A	710218		垫片, 密封 - (试纸管)
883	711182		垫片, 排气 -在代码日期01063000 -之后使用
883A	710250		垫片, 排气 -在代码日期01070100 -之前使用
883B	711181		垫片, 排气 -在代码日期01063000 -之后使用
978	710091		垫片, 机油保护
987	691326		密封, 阻风门/节气门轴
1022	710377		垫片, 摇杆盖



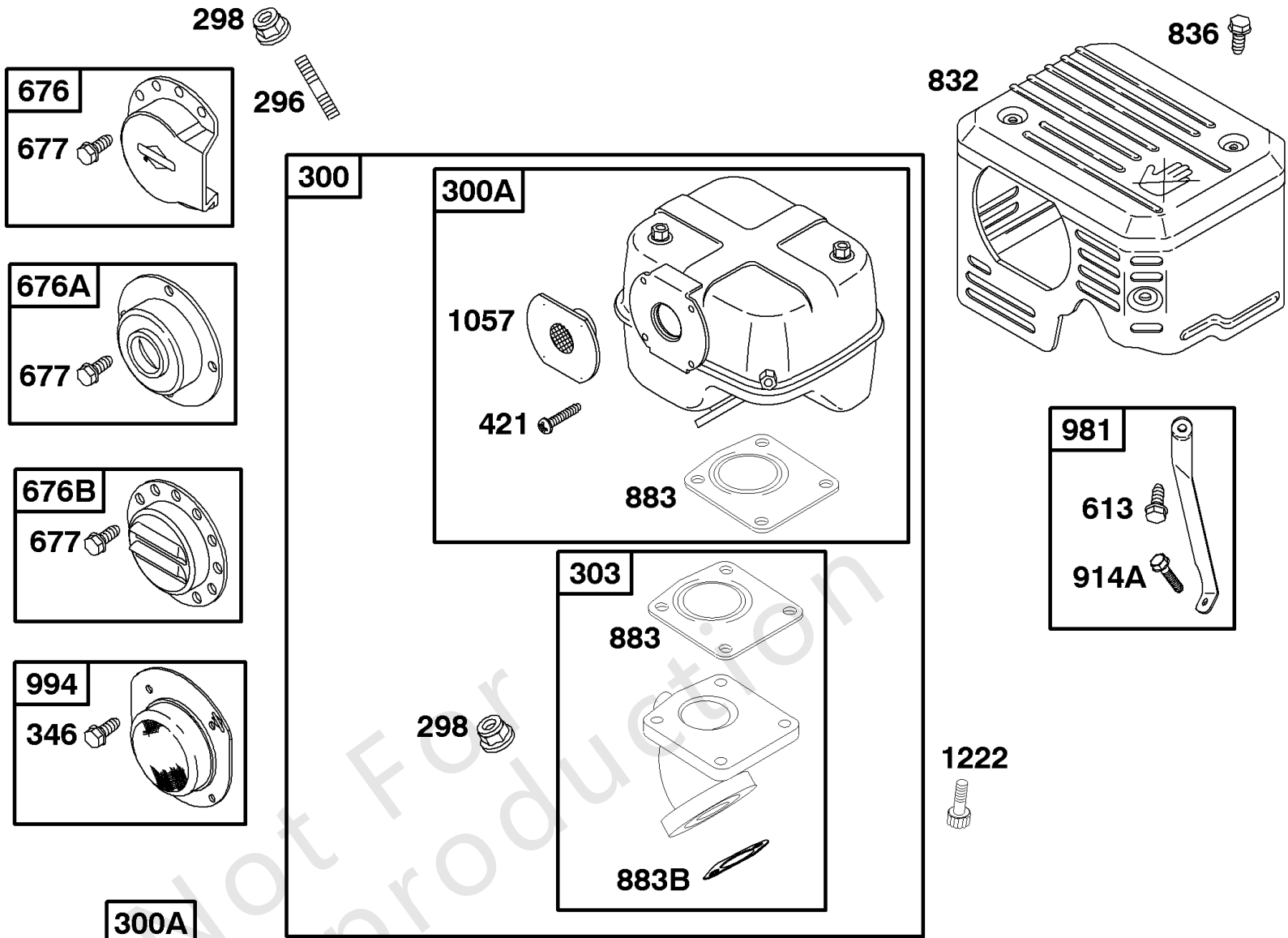


**1036 EMISSIONS LABEL**

REF. NO.	PART NO.	DESCRIPTION	REF. NO.	PART NO.	DESCRIPTION	REF. NO.	PART NO.	DESCRIPTION
281	710570	Panel-Control ----- Note ----- 710571 Panel-Control Used on Type No(s). 0037, 0042, 0595. 711151 Panel-Control Used on Type No(s). 0596.	304	711286	Housing-Blower ----- Note ----- 710574 Housing-Blower Used on Type No(s). 0043, 0074, 0076, 0080, 0084, 0122, 0276, 0284, 0522.	356	710087	Wire-Stop
281A	710577	Panel-Control Used on Type No(s). 0074, 0076, 0080, 0084, 0276, 0280, 0284, 0522.	305	710023	Screw (Blower Housing)	356A	710120	Wire-Stop
			347	691995	Switch-Rocker (Without Lamp)	367	710023	Screw (Wire Clip)
			347A	495098s	Switch-Rocker (With Lamp)	663	710234	Screw (Control Panel)
						663A	710095	Screw (Control Panel)
						729	710083	Clip-Wire
						1036		Label-Emission (Available From A Briggs & Stratton Authorized Dealer)
						1053	710305	Module-Oil Gard®

## 导风罩, 控制面板, 飞轮

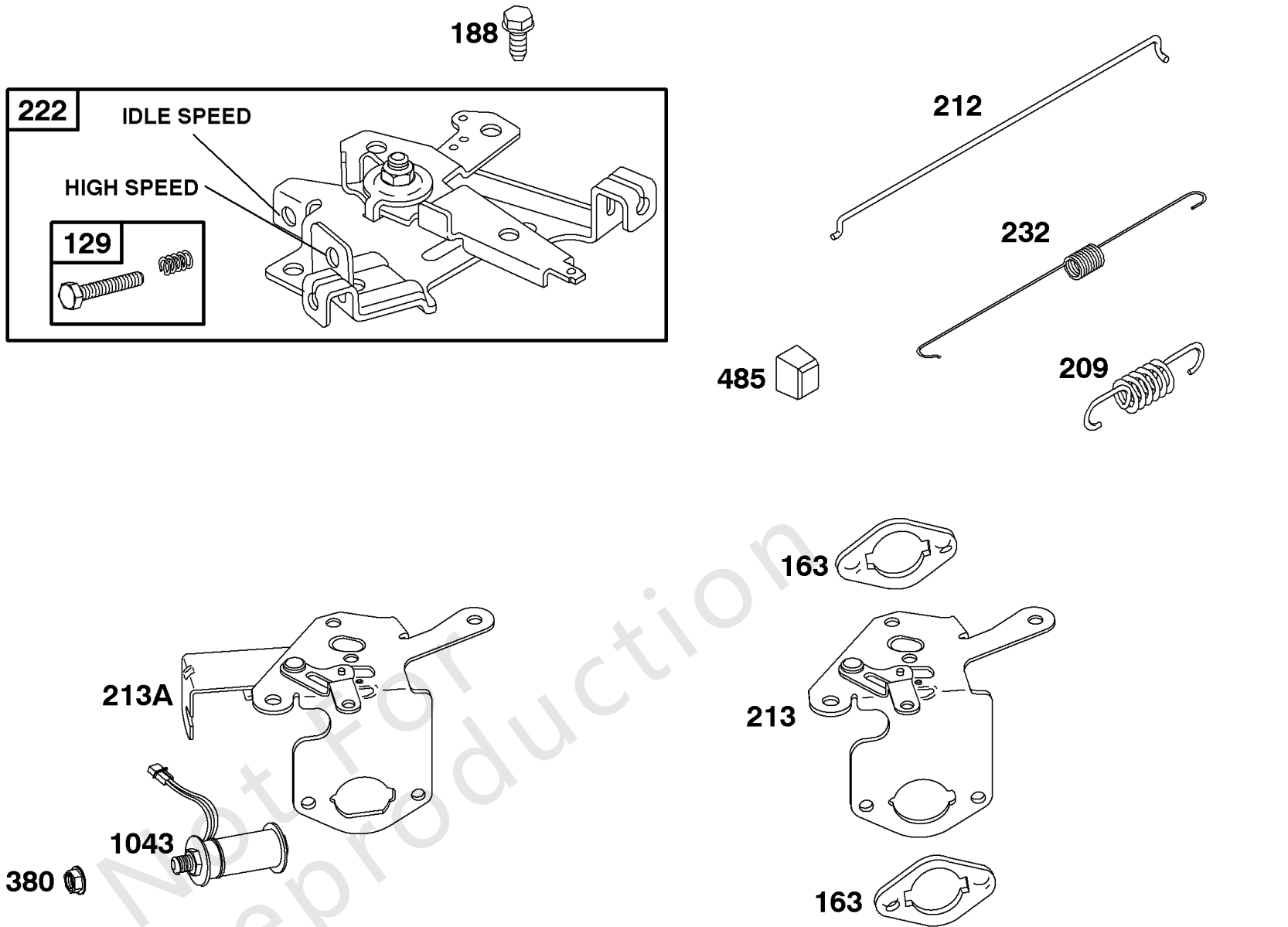
参考编号	零件号	数量	描述
281A	710577		面板, 控制
304	710574		壳, 导风罩
305	710023		拧 - (导风罩房)
347	691995		Switch-Rocker - (没有光)
347A	495098S		开关, 摇杆 - (带光)
356	710087		线, 停止 - (1线, 5) (绝缘标志母刀片端子和环端子)
356A	710120		线, 停止
367	710023		拧 - (线夹)
663	710234		拧 - (控制面板)
663A	710095		拧 - (控制面板)
729	710083		夹子, 线
1036	-----		Label-Emissions - (可从百力通授权经销商处获得)
1053	710305		模块, 机油保护



REF. NO.	PART NO.	DESCRIPTION	REF. NO.	PART NO.	DESCRIPTION	REF. NO.	PART NO.	DESCRIPTION
296	710099	Stud (Muffler)	677	690661	Screw (Muffler Deflector)			(Quantity 1)(Rocker Cover)
298	710090	Locknut-Muffler/Elbow	832	710586	Guard-Muffler	981	715422	Brace-Muffler
300	715894	Muffler	836	710074	Screw (Muffler Guard)	994	392390	Arrestor-Spark
300A	715826	Muffler	883	Δ★711182	Gasket-Exhaust (Used After Code Date 01063000).	1057	710585	Screen-Outlet
303	715824	Elbow-Exhaust	883A	Δ★710250	Gasket-Exhaust (Used Before Code Date 01070100).	1222	711183	Screw (Exhaust Pipe)
346	690661	Screw (Spark Arrester)	883B	Δ★711181	Gasket-Exhaust (Used After Code Date 01063000).			
421	710307	Screw (Outlet Screen)	914A	710248	Screw			
613	710976	Screw (Muffler)						
676	393761	Deflector-Muffler						
676A	396903	Deflector-Muffler						
676B	397630	Deflector-Muffler						

## 排气系统

参考编号	零件号	数量	描述
296	710099		螺柱 - (围巾)
298	710090		锁紧螺母 - (围巾和肘部)
300	715894		围巾
300A	715826		围巾
303	715824		歧管, 排气
346	690661		拧 - (火花捕捉器)
421	710307		拧 - (插座屏)
613	710976		拧 - (围巾)
676	393761		消除器, 消音器 - (侧面插座)
676A	396903		消除器, 消音器
676B	397630		消除器, 消音器 - (百叶窗出口)
677	690661		拧 - (消音器导流板)
832	710586		保护, 围巾
836	710074		拧 - (消音器卫队)
883	711182		垫片, 排气 - 在代码日期01063000 - 之后使用
883B	711181		垫片, 排气 - 在代码日期01063000 - 之后使用
914A	710248		拧 - (摇杆盖) (数量1)
981	715422		布莱尔, 消音器
994	392390		捕捉器, 火花
1057	710585		屏, 插座
1222	711183		拧 - (排气管)

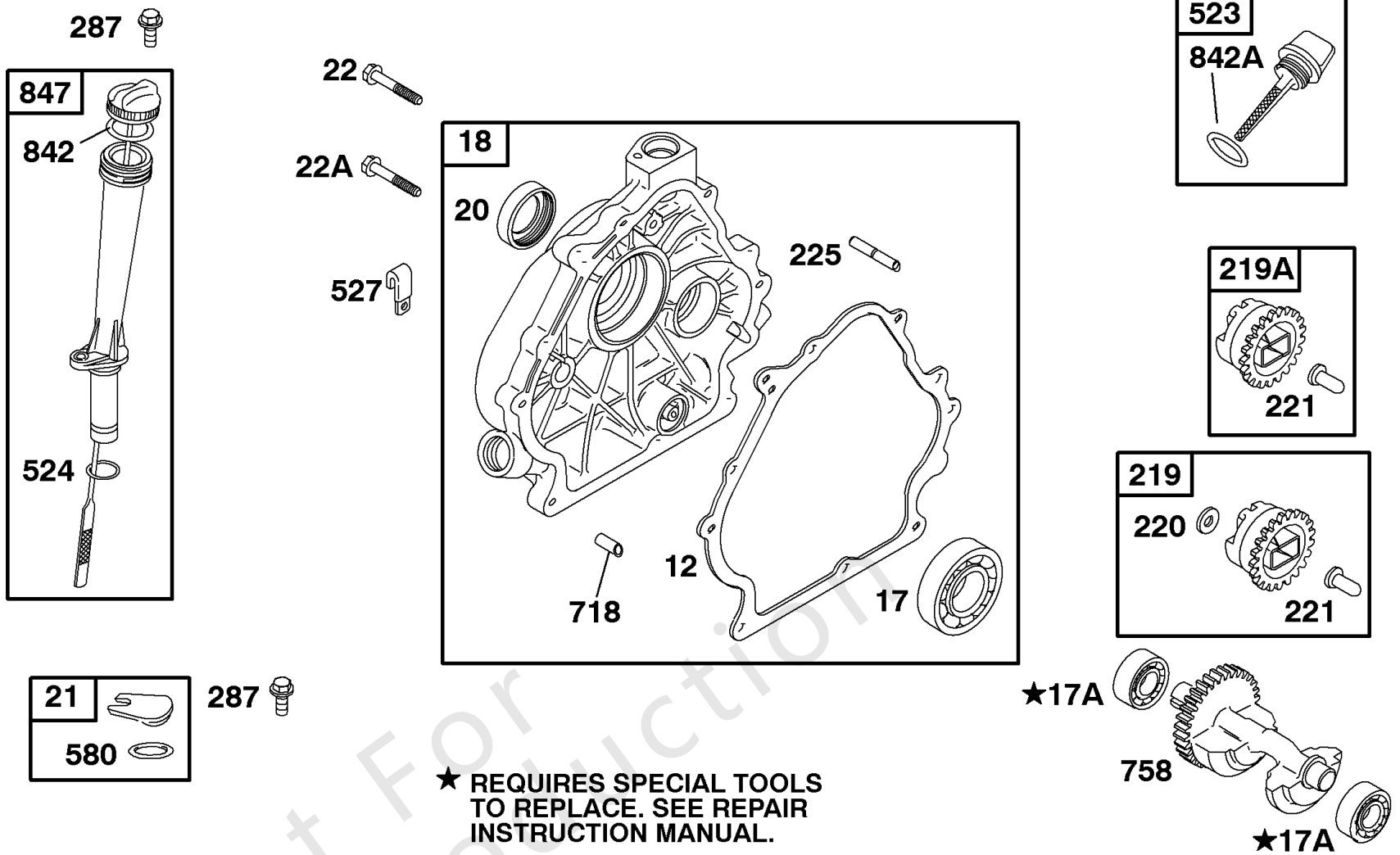


REF. NO.	PART NO.	DESCRIPTION	REF. NO.	PART NO.	DESCRIPTION	REF. NO.	PART NO.	DESCRIPTION
129	715024	Screw/Spring-Governor Speed (Idle & High Speed Adjustment) ----- <b>Note</b> ----- 715170 Screw/Spring-Governor Speed (Idle & High Speed Adjustment) Used on Type No(s). 0042, 0058, 0071, 0074, 0080, 0083, 0090.	209	710705	Spring-Governor ----- <b>Note</b> ----- 710564 Spring-Governor Used on Type No(s). 0042, 0070, 0071, 0074, 0595, 0596. 710580 Spring-Governor Used on Type No(s). 0058, 0080, 0083, 0090, 0280, 0290. 711177 Spring-Governor Used on Type No(s). 0540, 0561.	213	715347	Bracket-Choke Control
163★◆710557		Gasket-Air Cleaner				213A	715348	Bracket-Choke Control
188	710057	Screw (Control Bracket)	212	710562	Link-Throttle	222	715025	Bracket-Control ----- <b>Note</b> ----- 715046 Bracket-Control Used on Type No(s). 0042, 0058, 0070, 0071, 0074, 0080, 0083, 0090, 0280, 0290, 0595, 0596.
						232	710563	Spring-Governor Link
						380	710081	Nut (Electro Magnet)
						485	692295	Knob-Control
						1043	692955	Magnet-Electro

## 控制

参考编号	零件号	数量	描述
129	715024		拧 - (调速) (空闲和高速调整)
163	710557		垫片, 空气滤清器 - (空气滤清器)
188	710057		拧 - (控制支架)
209	710705		调速斯普林
212	710562		连接, 节气门
213	715347		支架, 阻风门控制
213A	715348		支架, 阻风门控制
222	715025		支架, 控制
232	710563		调速/ 弹簧 / 连接
380	710081		坚果 - (电磁铁)
485	692295		把手, 空气滤清器盖
1043	692955		磁, 电

Not For Reproduction



★ REQUIRES SPECIAL TOOLS TO REPLACE. SEE REPAIR INSTRUCTION MANUAL.

REF. NO.	PART NO.	DESCRIPTION	REF. NO.	PART NO.	DESCRIPTION	REF. NO.	PART NO.	DESCRIPTION
12	★710378	Gasket-Crankcase	20	★291675s	Seal-Oil (PTO Side)	287	710234	Screw (Dipstick Tube)
17	710528	Bearing-Ball	21	493668	Cap-Oil Fill	523	710817	Dipstick (Yellow)
		----- Note -----	22	710032	Screw (Crankcase Cover)	524	280854	Seal-Dipstick Tube
		710657 Bearing-Ball	22A	710306	Screw (Crankcase Cover)	527	710100	Clamp-Tube
		Used on Type No(s). 0047, 0247, 0561.	219	715679	Gear-Governor (Used After Code Date 99073100)	580	280854	Seal-O Ring (Oil Fill Cap)
17A	710482	Bearing-Ball	219A	715696	Gear-Governor (Used Before Code Date 99080100)	718	710005	Pin-Locating
18	715359	Cover-Crankcase	220	710545	Washer (Governor Gear)	758	710542	Counterweight
		----- Note -----	221	710027	Cup-Governor	842	691870	Seal-O Ring (Dipstick Tube)
		715358 Cover-Crankcase	225	710028	Shaft-Governor Gear	842A	★710218	Seal-O Ring (Dipstick Tube)
		Used on Type No(s). 0042, 0595.				847	710543	Dipstick/Tube Assembly
		715526 Cover-Crankcase						
		Used on Type No(s). 0058.						

## 曲轴箱盖, 润滑

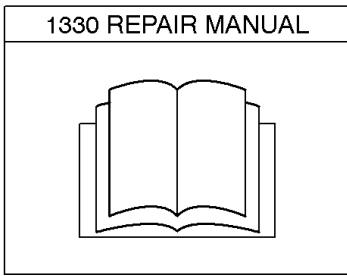
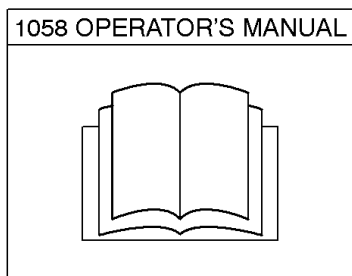
参考编号	零件号	数量	描述
12	710378		垫片, 曲轴箱盖
17	710528		轴承, 球
17A	710482		轴承, 球
18	715359		盖子, 曲轴箱
20	291675S		海豹油 - (PTO方)
21	493668		盖, 加油
22	710032		拧 - (曲轴箱盖/油底壳)
22A	710306		拧 - (曲轴箱盖/油底壳)
219	715679		调速, 齿轮 - 在代码日期99073100 - 之后使用
219A	715696		调速, 齿轮 - 在代码日期99080100 - 之前使用
220	710545		垫圈 - (调速齿轮)
221	710027		银联, 调速
225	710028		轴, 调速齿轮
287	710234		拧 - (试纸管)
523	710817		机油尺 - (黄色)
524	280854		密封圈, O形圈 - (试纸管)
527	710100		夹子, 软管
580	280854		密封圈, O形圈 - (加油盖)
718	710005		销, 定位
758	710542		平衡块
842	691870		密封圈, O形圈 - (试纸管)
842A	710218		垫片, 密封 - (试纸管)
847	710543		机油尺 / 管子组装



## 替代发动机-美国和加拿大

参考编号	零件号	数量	描述
	2454370284	1	更换发动机
	-----		Top No-Load Speed: 3600 -类型: 全部
	-----		Service Note: For all Go-Karts use only a Model 136200 series engine as a replacement, regardless of the original Model.

Not For Reproduction

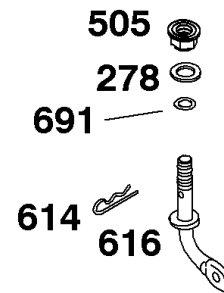
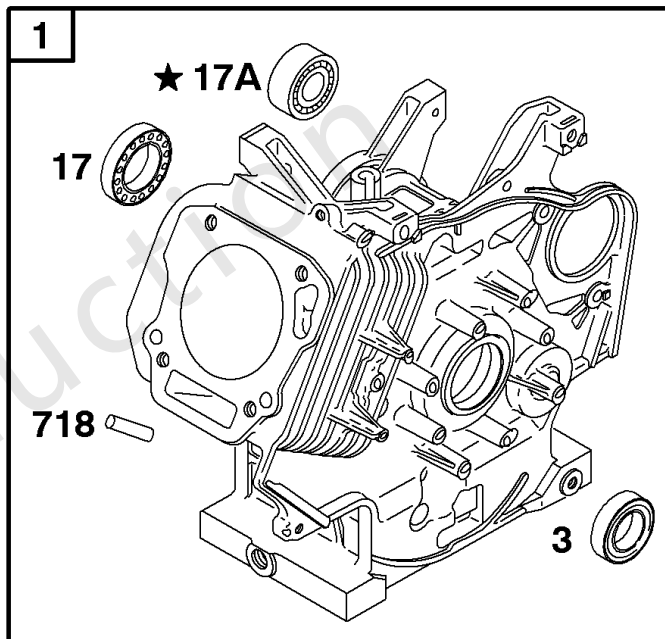
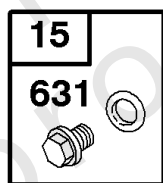
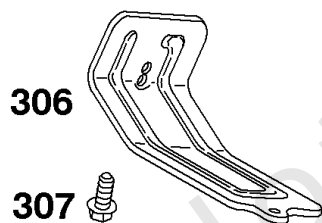
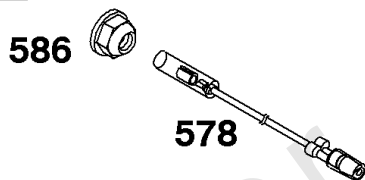
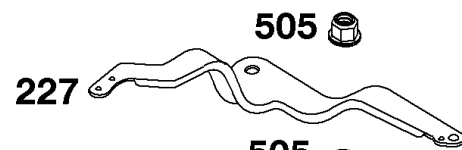
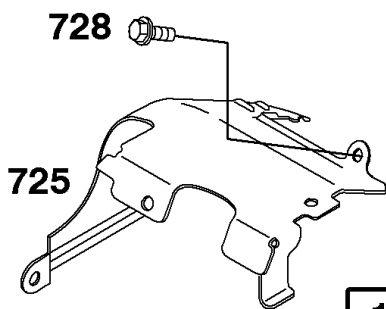
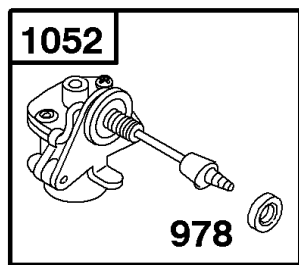


1319 WARNING LABEL

**WARNING**

- Read and follow Operating Instructions before running engine.
- Gasoline is flammable. Allow engine to cool at least 2 minutes before refueling.
- Engines emit carbon monoxide, DO NOT run in enclosed area.
- Muffler area temperature may exceed 150°F. Do not touch hot parts.

**REQUIRED** when replacing parts with warning labels affixed.

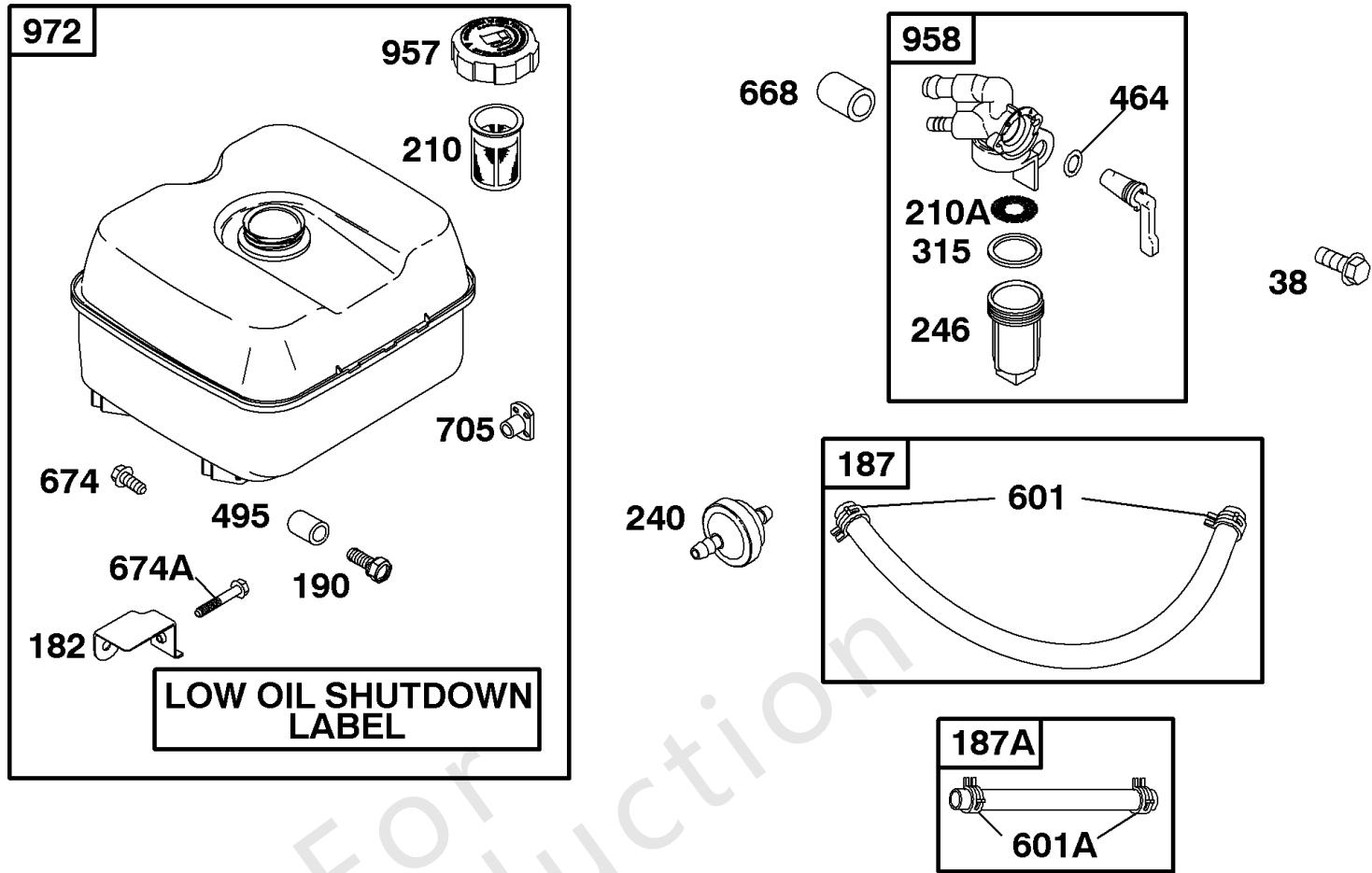


★ REQUIRES SPECIAL TOOLS TO REPLACE. SEE REPAIR INSTRUCTION MANUAL.

REF. NO.	PART NO.	DESCRIPTION	REF. NO.	PART NO.	DESCRIPTION	REF. NO.	PART NO.	DESCRIPTION
1	715355	Cylinder Assembly	17	710528	Bearing-Ball			(Oil Sensor)
		----- Note -----	17A	710482	Bearing-Ball	614	710056	Pin-Cotter
	715356	Cylinder Assembly	227	710561	Lever-Governor Control	616	710560	Crank-Governor
		Used on Type No(s). 0120, 0520.	278	710058	Washer (Governor Control Lever)	631	★710004	Washer (Oil Drain Plug)
	715357	Cylinder Assembly	306	710242	Shield-Cylinder	691	★710055	Seal-Governor Shaft
		Used on Type No(s). 0043, 0074, 0076, 0080, 0084, 0280, 0284, 0522.	307	710023	Screw (Cylinder Shield)	718	710005	Pin-Locating
3	★291675	Oil-Seal (Magneto Side)	505	710059	Nut (Governor Control Lever)	725	710568	Shield-Heat
15	715000	Plug-Oil Drain	578	710308	Wire Assembly	728	710023	Screw (Heat Shield)
			586	710090	Nut	978	★710091	Gasket-Oil Gard®
						1052	715353	Sensor-Oil
						1058	MS3824	Owner's Manual
						1319	794467	Label-Warning
						1330	272147	Repair Manual

## 机油传感器组, 操作员手册, 维修手册, 警告标签

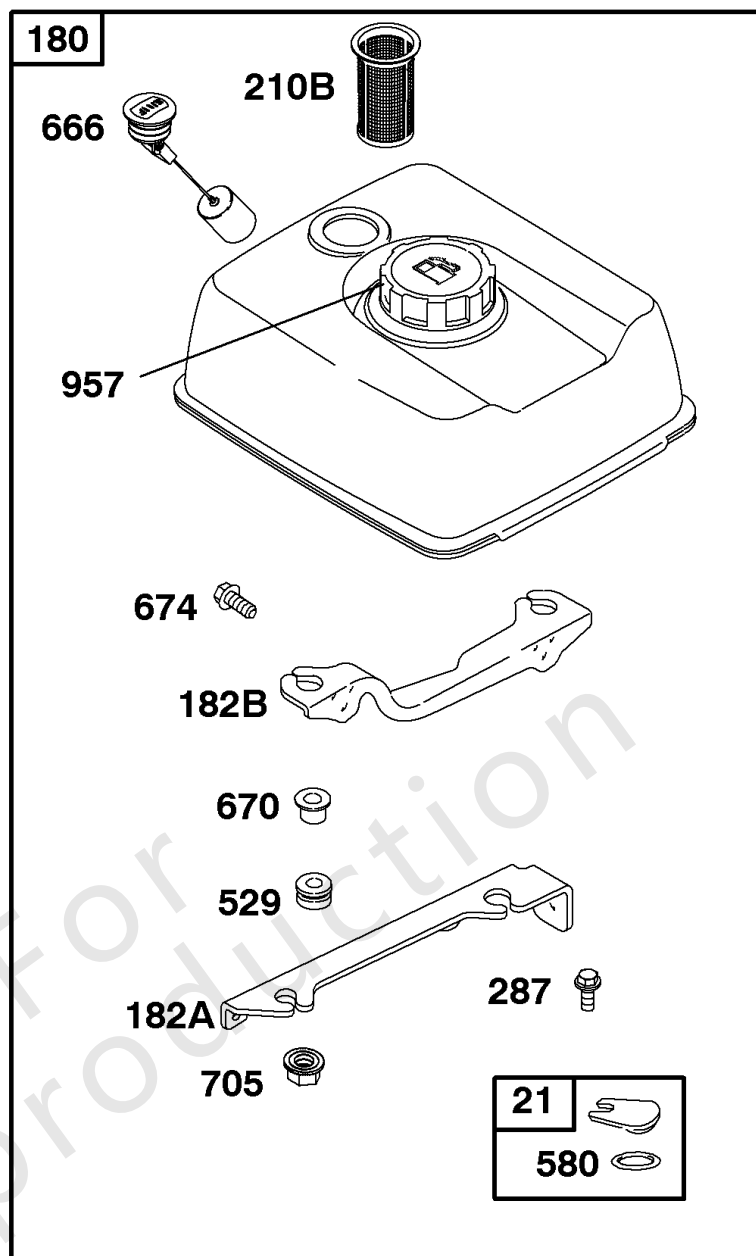
参考编号	零件号	数量	描述
1	715357		缸体组件
3	291675S		海豹油 - (磁铁侧)
15	715000		插头, 排油
17	710528		轴承, 球
17A	710482		轴承, 球
227	710561		杠杆, 调速控制
278	710058		垫圈 - (调速杠杆)
306	710242		护罩, 缸体
307	710023		拧 - (缸体护罩)
505	710059		坚果 - (调速杠杆)
578	710308		线组装 - (1线, 11-13 / 16) (支持快速连接引脚端子带槽, 和快速连接母刀片端子)
586	710090		锁紧螺母 - (机油传感器)
614	710056		销, 开口销
616	710560		曲柄, 调速
631	710004		垫圈 - (排油塞)
691	710055		海豹, 调速轴
718	710005		销, 定位
725	710568		护罩, 热
728	710023		拧 - (隔热板)
978	710091		垫片, 机油保护
1052	715353		传感器, 油
1058	MS3824		手动, 操作员
1319	794467		标签, 警告
1330	272147		手动, 修理



REF. NO.	PART NO.	DESCRIPTION	REF. NO.	PART NO.	DESCRIPTION	REF. NO.	PART NO.	DESCRIPTION
38	710160	Screw (Fuel Shut Off Valve)	210	691370	Strainer-Fuel	705	710509	Nut (Fuel Tank)
182	710491	Bracket-Fuel Tank	210A	710071	Strainer-Fuel	957	491367	Cap-Fuel Tank (Plastic)
187	716125	Line-Fuel (Fuel Tank To Fuel Shut Off Valve) (Cut To Required Length)	240	298090s	Filter-Fuel	958	715224	Valve-Fuel Shut Off
187A	716123	Line-Fuel (Fuel Shut Off Valve To Carburetor) (Cut To Required Length)	246	710070	Bowl-Filter	972	715516	Tank-Fuel (Plastic)
190	710047	Screw (Fuel Tank)	315	710072	Seal-O Ring (Filter Bowl)			
			464	★710069	Seal-O-Ring (Fuel Shut Off Valve)			
			495	710508	Bushing			
			601	711998	Clamp-Hose			
			601A	711925	Clamp-Hose			
			668	710159	Spacer			
			674	710023	Screw (Fuel Tank Bracket)			
			674A	710095	Screw (Fuel Tank Bracket)			

## 燃料供应

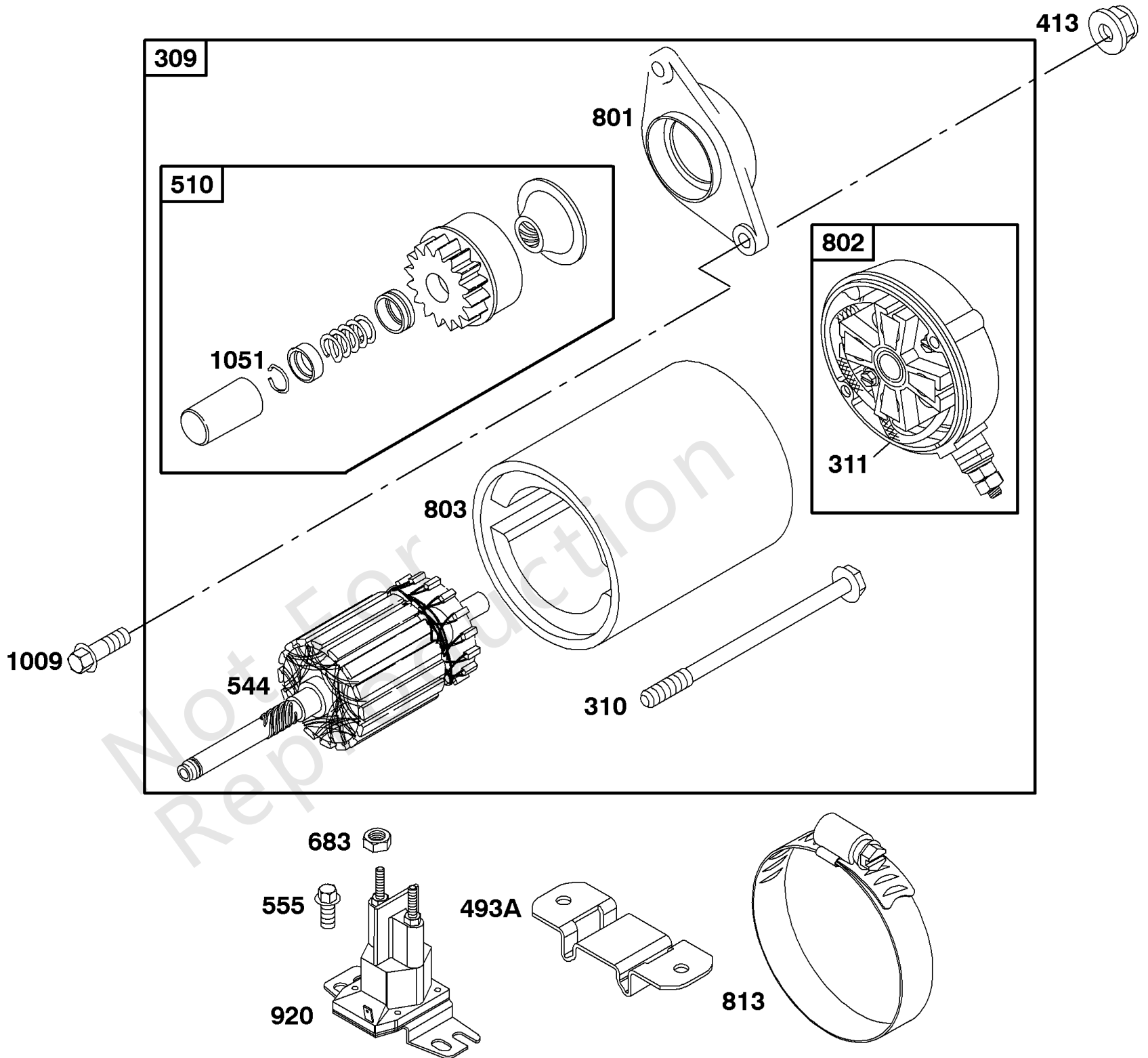
参考编号	零件号	数量	描述
38	710160		拧 - (关闭阀)
182	710491		支架, 油箱
187	715125		管, 燃油 - (燃油箱加油关闭阀门) (切割到所需长度)
187A	716123		管, 燃油 - (燃油切断阀到化油器) (切割到所需长度)
190	710047		拧 - (油箱)
210	691370		过滤器, 燃料
210A	710071		过滤器, 燃料
240	298090S		过滤器, 燃料
246	710070		碗, 燃油滤清器
315	710072		密封圈, O形圈 - (滤杯)
464	710069		密封圈, O形圈 - (燃油切断阀)
495	710508		垫片, 油箱
601	711998		夹子, 软管
601A	711925		夹子, 软管
668	710159		垫片, 油箱
674	710023		拧 - (油箱支架)
674	710248		拧 - (油箱支架)
674A	710095		拧 - (油箱支架)
705	710068		锁紧螺母 - (油箱)
705	710509		坚果 - (油箱)
957	491367S		盖, 油箱 - (塑料)
957	710490		盖, 油箱 - (塑料)
958	715224		阀门, 燃油关闭 - (塑料)
972	715516		油箱, 燃料 - (塑胶) (塑胶)



REF. NO.	PART NO.	DESCRIPTION	REF. NO.	PART NO.	DESCRIPTION	REF. NO.	PART NO.	DESCRIPTION
21	493668	Cap-Oil Fill	287	710234	Screw (Dipstick Tube)	670	710247	Spacer-Fuel Tank
180	716177	Tank-Fuel (Metal) (Black)	529	710246	Grommet	674	710248	Screw (Fuel Tank Bracket)
182B	710244	Bracket-Fuel Tank	580	280854	Seal-O Ring (Oil Fill Cap)	705	710068	Nut (Fuel Tank)
182A	710795	Bracket-Fuel Tank	666	710243	Gauge-Fuel	957	710490	Cap-Fuel Tank (Plastic)
210B	710065	Strainer-Fuel						

## 燃料供应

参考编号	零件号	数量	描述
21	493668		盖, 加油
180	716177		油箱, 燃料 - (金属) (黑色)
182A	710795		支架, 油箱
182B	710244		支架, 油箱
210B	710065		STRAINER-FUEL
287	710234		拧 - (试纸管)
529	710246		索环
580	280854		密封圈, O形圈 - (加油盖)
666	710243		测量, 燃料
670	710247		垫片, 油箱
674	710023		拧 - (油箱支架)
674	710248		拧 - (油箱支架)
705	710068		锁紧螺母 - (油箱)
705	710509		坚果 - (油箱)
957	491367S		盖, 油箱 - (塑料)
957	710490		盖, 油箱 - (塑料)

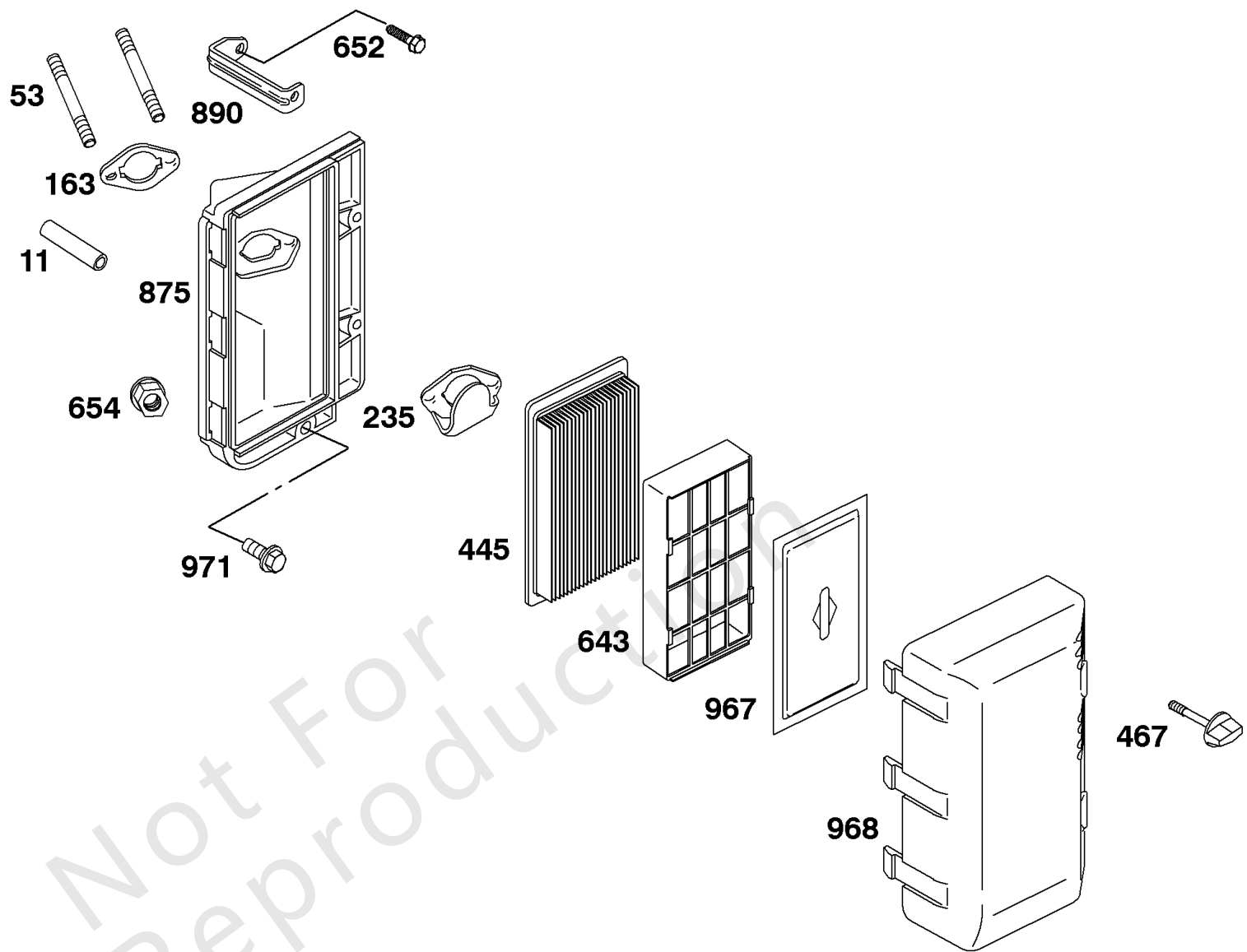


REF. NO.	PART NO.	DESCRIPTION	REF. NO.	PART NO.	DESCRIPTION	REF. NO.	PART NO.	DESCRIPTION
309	715208	Motor-Starter (Steel Pinion)	544		Armature-Starter (Service With Starter Motor 715208)	801	715394	Cap-Drive
310	710589	Bolt (Starter Motor)	555	810059	Screw (Starter Solenoid)	802	715393	Cap-End
311	496887	Brush Set	683	691029	Nut Starter Solenoid Terminal)	803	690854	Housing-Starter
413	710081	Nut (Starter Motor)				813	690635	Clamp
493A	691177	Bracket-Mounting				920	691656	Solenoid-Starter
510	496881	Drive-Starter				1009	710348	Screw (Starter Motor )
						1051	691124	Ring-Retaining



## 电启动器

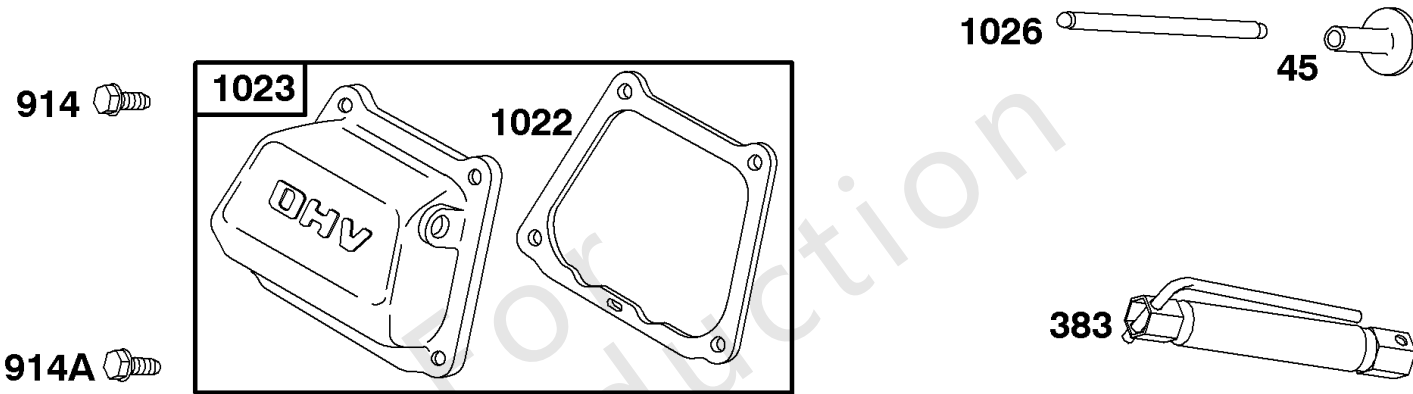
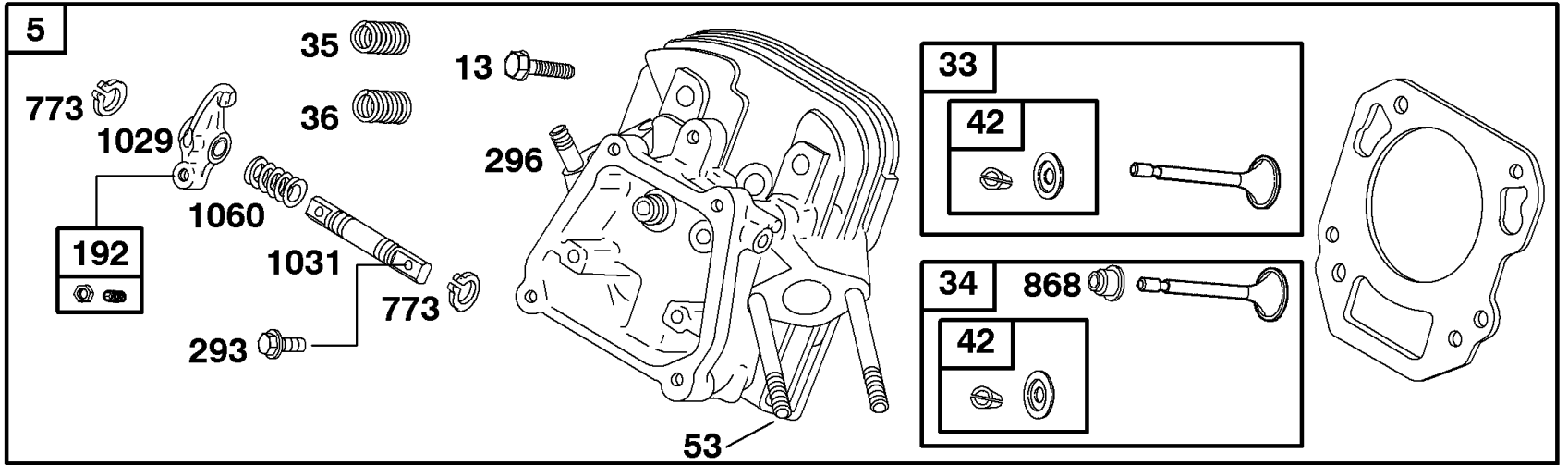
参考编号	零件号	数量	描述
309	715208		马达, 启动 - (钢齿轮)
310	710589		拧 - (启动马达)
311	496887		套装, 刷子
413	710081		坚果 - (启动马达)
493A	691177		支架, 安装
510	496881		驱动, 启动
544	-----		Armature-Starter - (与启动马达715208一起使用)
555	810059		拧 - (起动机电磁阀)
683	691029		坚果 - (起动机电磁阀)
801	715394		盖, 驱动
802	715393		盖, 结束
803	690854		壳, 初学者 - (空气滤清器底座)
813	690635		钳
920	691656		电磁阀, 启动器
1009	710348		拧 - (启动马达)
1051	691124		戒指, 保留



REF. NO.	PART NO.	DESCRIPTION	REF. NO.	PART NO.	DESCRIPTION	REF. NO.	PART NO.	DESCRIPTION
11	710115	Tube-Breather	643	710228	Retainer-Air Filter	967	710268	Filter-Pre Cleaner
53	710556	Stud (Carburetor)	652	710248	Screw (Support Bracket)	968	710579	Cover-Air Cleaner
163★◆	710557	Gasket-Air Cleaner	654	710068	Nut (Carburetor)	971	710234	Screw (Air Cleaner Base To Carburetor)
235	710553	Shield-Fuel Spray	875	710551	Base-Air Cleaner (Plastic)			
445	710266	Filter-Air Cleaner Cartridge	890	710554	Bracket-Support			
467	710113	Knob-Air Cleaner						

## 空气滤清器

参考编号	零件号	数量	描述
11	710115		管子, 呼吸器
53	710556		螺柱 - (化油器)
163	710557		垫片, 空气滤清器 - (空气滤清器)
235	710553		护罩, 燃油喷雾
445	710266		过滤器, 空气滤清器盒
467	710113		把手, 空气滤清器盖
643	710228		固定器, 空气过滤器
652	710248		拧 - (支架)
654	710068		锁紧螺母 - (化油器)
875	710551		底座, 空气滤清器 - (塑料)
890	710554		支架, 支持
967	710268		过滤器, 预滤
968	710579		盖子, 空气滤清器
971	710234		拧 - (空气滤清器底座) (远程阻风门)



REF. NO.	PART NO.	DESCRIPTION	REF. NO.	PART NO.	DESCRIPTION	REF. NO.	PART NO.	DESCRIPTION
5	715375	Head-Cylinder	192	715372	Adjuster-Rocker Arm	1022	Δ710377	Gasket-Rocker Cover
7	Δ710539	Gasket-Cylinder Head	293	710538	Screw (Rocker Arm Shaft)	1023	715376	Cover-Rocker
13	710204	Screw (Cylinder Head)	296	710099	Stud (Muffler)	1026	710373	Rod-Push
33	716079	Valve-Exhaust	383	19576s	Wrench-Spark Plug	1029	710534	Arm-Rocker
34	716080	Valve-Intake	773	710537	Retainer	1031	710533	Shaft-Rocker Arm
35	691279	Spring-Valve (Intake)	868	Δ710979	Seal-Valve	1060	710535	Spring-Rocker Shaft
36	691279	Spring-Valve (Exhaust)	914	710023	Screw (Quantity 3)(Rocker Cover)			
42	715130	Keeper-Valve	914A	710248	Screw (Quantity 1)(Rocker Cover)			
45	710530	Tappet-Valve						
53	710556	Stud (Carburetor)						

## 缸头, 阀门

参考编号	零件号	数量	描述
5	715375		头, 缸体
13	710204		拧 - (缸头)
33	716079		排气阀门
34	716080		阀门, 摄入量
35	691279		弹簧, 阀门 - (录取)
36	691279		弹簧, 阀门 - (排气)
42	715130		固定, 阀门
45	710530		挺杆, 阀门
53	710556		螺柱 - (化油器)
192	715372		调节器。摇臂
293	710538		拧 - (摇臂轴)
296	710099		螺柱 - (围巾)
383	19576S		扳手, 火花塞
773	710537		固定器
868	710979		密封, 阀门
914	710023		拧 - (摇杆盖) (数量3)
914A	710248		拧 - (摇杆盖) (数量1)
1022	710377		垫片, 摇杆盖
1023	715376		盖子, 摇杆
1026	710373		杆, 推
1029	710534		臂, 摇杆
1031	710533		轴, 摇臂
1060	710535		弹簧, 摇臂轴

