



# Parts Manual

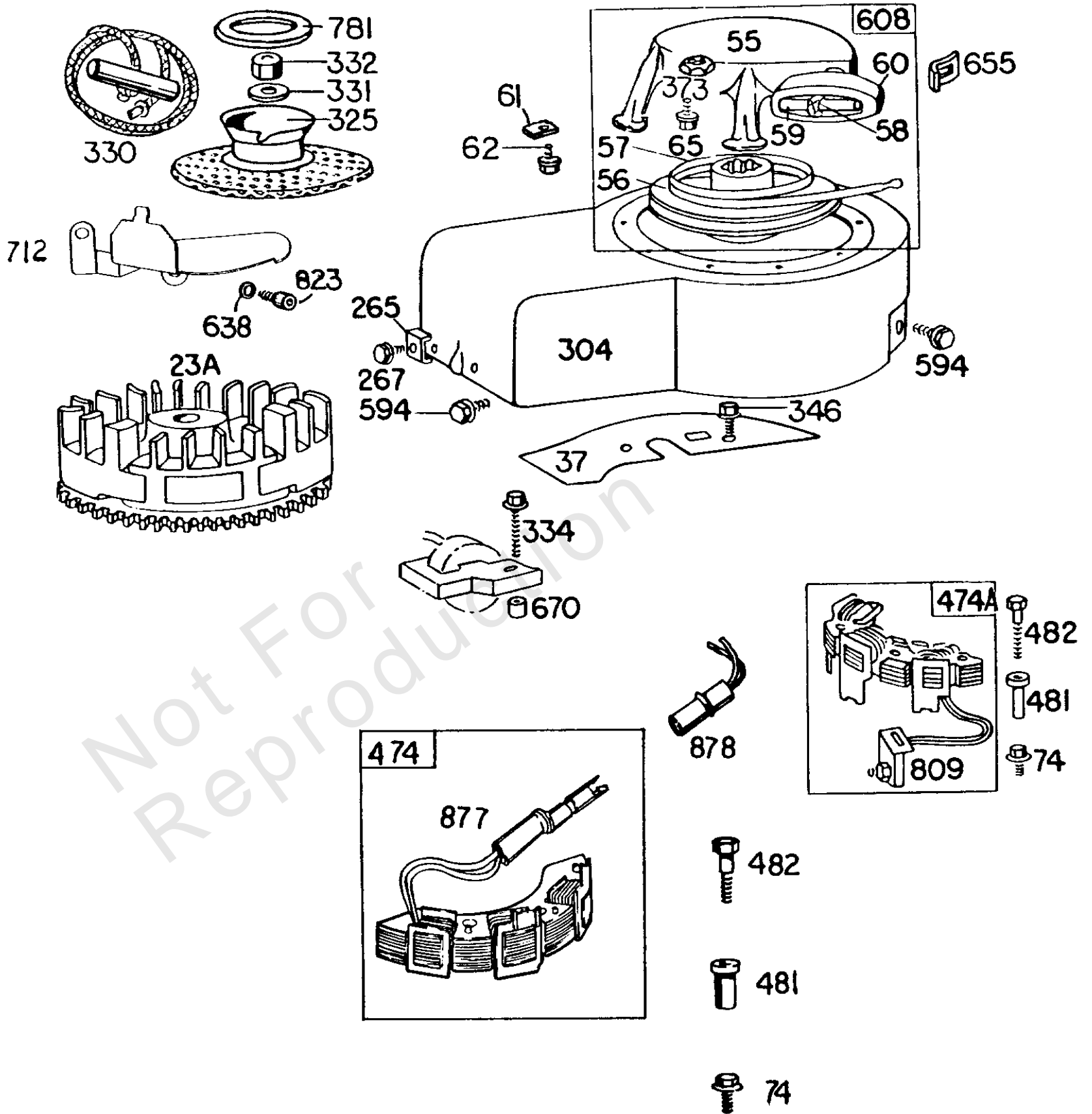
Mfg. No: 130902-0388-99



---

<b>Model Components</b>	<b>Page</b>
Blower Hsg,Rewind,Elect. ....	4
Carburetor, FuelTank, A/C. ....	8
Cyl, Mufflers, Piston, Sump. ....	12
Electric Starter and Chart. ....	22
Replacement Engine - Europe, Middle East & Africa. ....	24
Replacement Engine - US & Canada. ....	25

Not For  
Reproduction

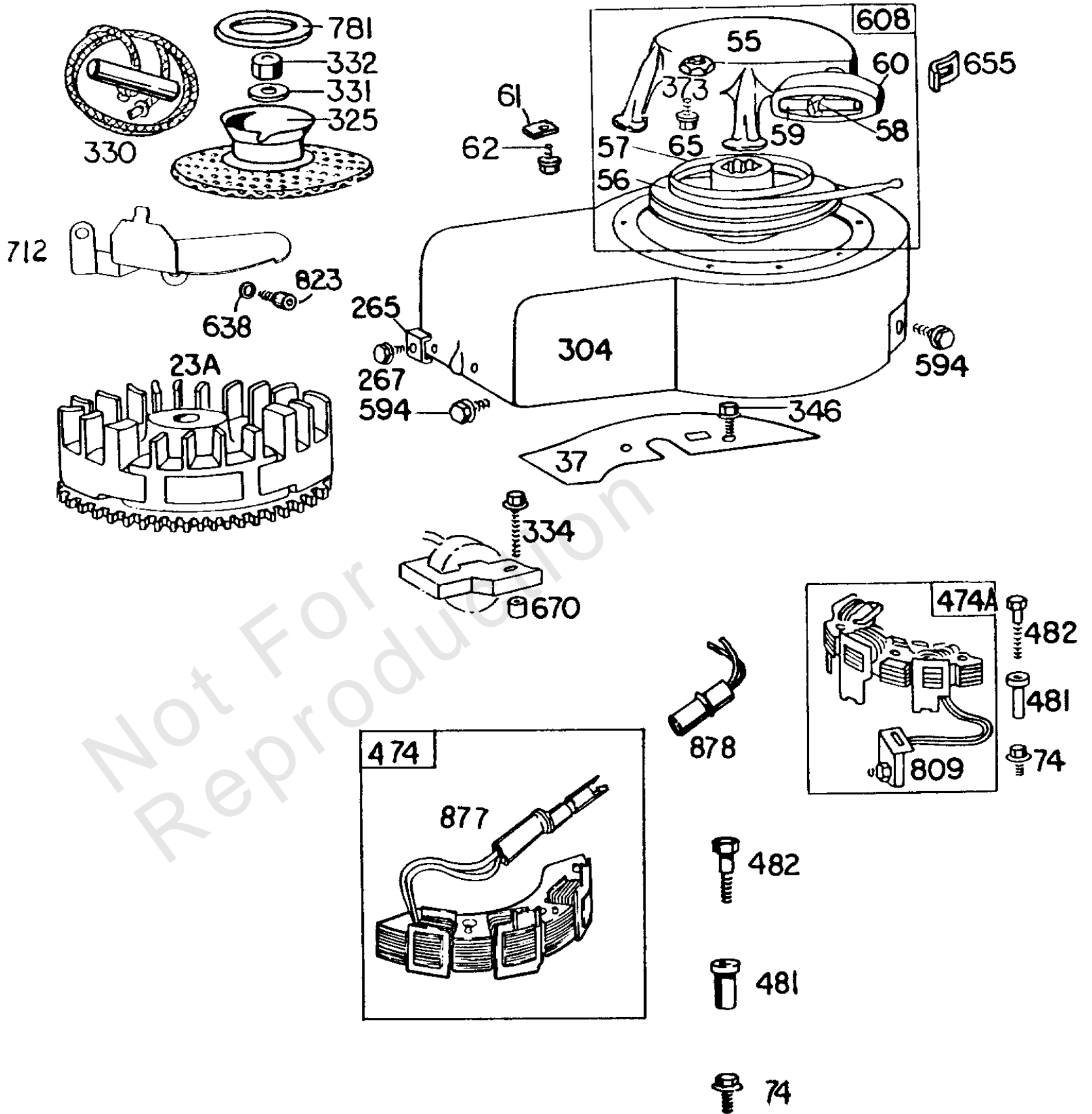


## Blower Hsg,Rewind,Elect

REF NO	PART NO	QTY	DESCRIPTION
23A	390509		FLYWHEEL -(Includes Steel Ring Gear)
37	222443		GUARD, Flywheel
37	222579		GUARD, Flywheel -(Electric Starter)
55	299431		HOUSING, Rewind Starter
56	295871		PULLEY, Starter -(63 Rope)
57	294303		SPRING, Rewind Starter
58	66564		ROPE, Starter -(63 Rope) If longer Rope is required, order Rope No. 66574 and cut to length.
58	66884		ROPE, Starter -(Cut To Required Length) If longer Rope is required, order Rope No. 66894 and cut to length.
59	230228		PIN, Starter Grip
61	68848		BUMPER, Starter Pulley
62	93254		SCREW -(Pulley)
65	93067		SCREW -(3/8)
65	93163		SCREW -Used Before Code Date 6909157
65	93572		SCREW -(10-32 X 3/8) -Used After Code Date 6909127
74	93490		SCREW -(Rotating Screen)
265	22372		CLAMP, Casing
267	93469		SCREW
304	392277		HOUSING, Blower
325	299421		PULLEY, Rope Starter -(With Screen)
330	69932		GRIP, Starter Rope
331	220865		WASHER -(Heavy Flywheel)
332	92284		NUT -(Flywheel)
334	93613		SCREW -(Armature)
346	93705		SCREW -(8-32 X 3/8)
346	93712		SCREW
373	92987		STARTER, Rewind
474A	390410		ALTERNATOR
474	394173		ALTERNATOR
481	230970		BUSHING, Alternator
482	93639		SCREW
594	93559		SCREW -(Tank) (Fuel Tank)
608	390463		STARTER-REWIND
638	93713		WASHER
655	221014		ANCHOR, Rewind Spring -Used Before Code Date 73061111
655	222598		ANCHOR, Rewind Spring -(Stamped Rewind Housing)

### Footnotes:

(For Stamped Rewind Housing)



## **Blower Hsg,Rewind,Elect**

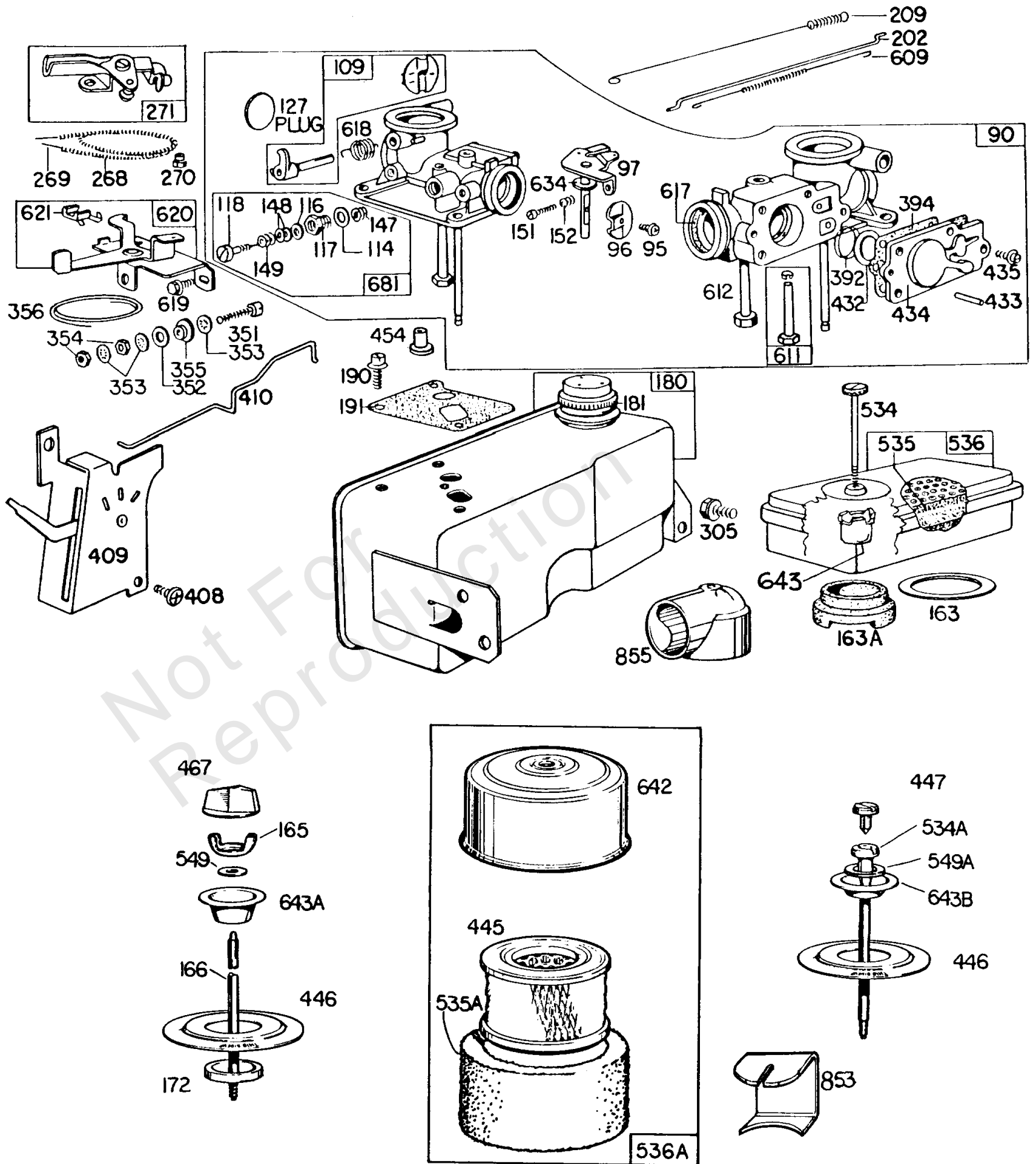
REF NO	PART NO	QTY	DESCRIPTION
670	261065		SPACER
712	222491		GUARD, Flywheel -(With One Tab for 1-1/8 Cut Out in Blower Hsg)
712	223141		GUARD, Flywheel -(With One Tab for 1-5/8 Cut Out in Blower Hsg)
781	280068		CAP, Starter Pulley
809	390414		RECTIFIER
823	93712		SCREW
877	393854		WIRE/CONNECTOR, Alternator
878	393422		WIRE ASSEMBLY -(Dc Only)

Not For  
Reproduction

---

**Footnotes:**

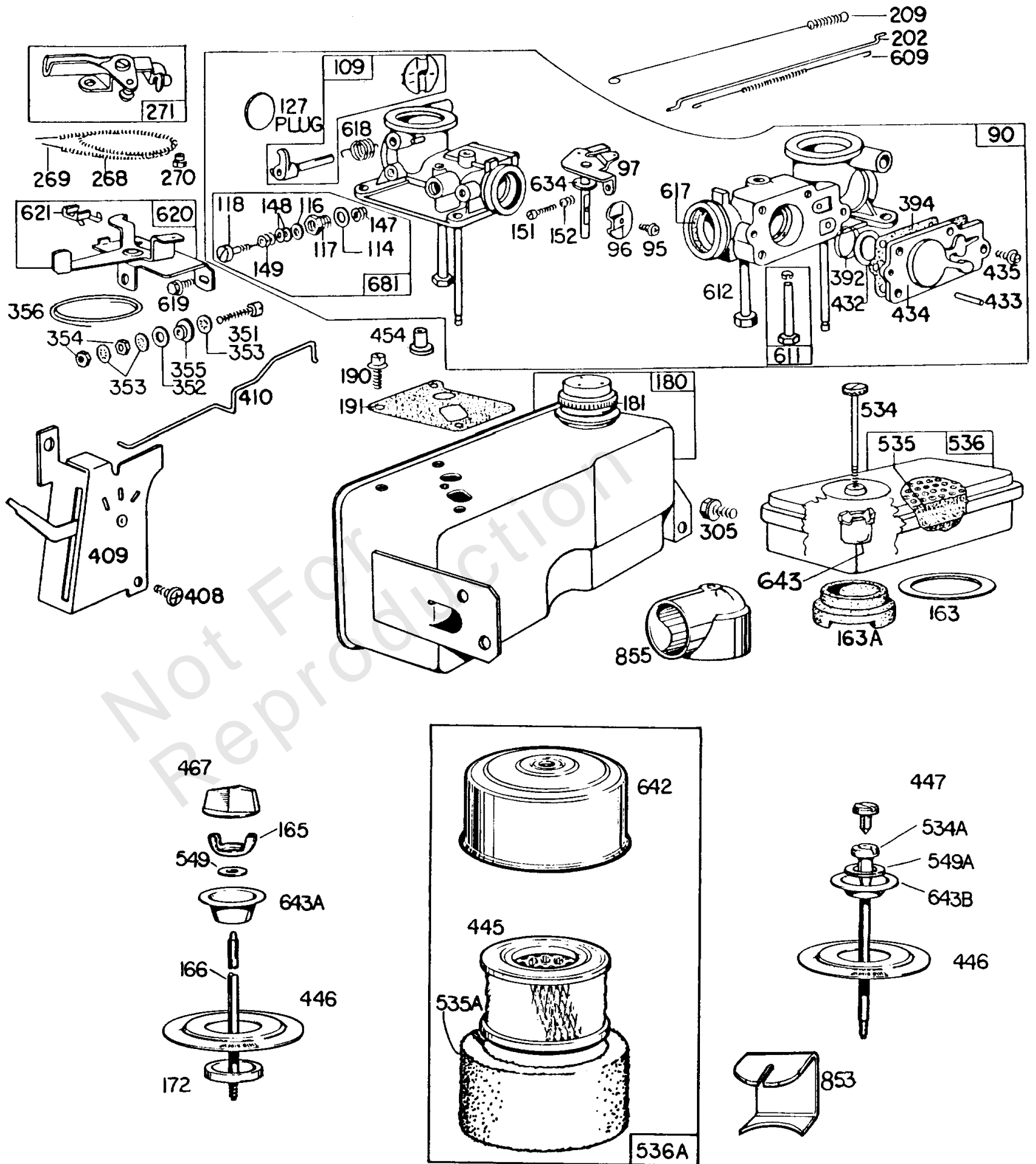
(For Stamped Rewind Housing)





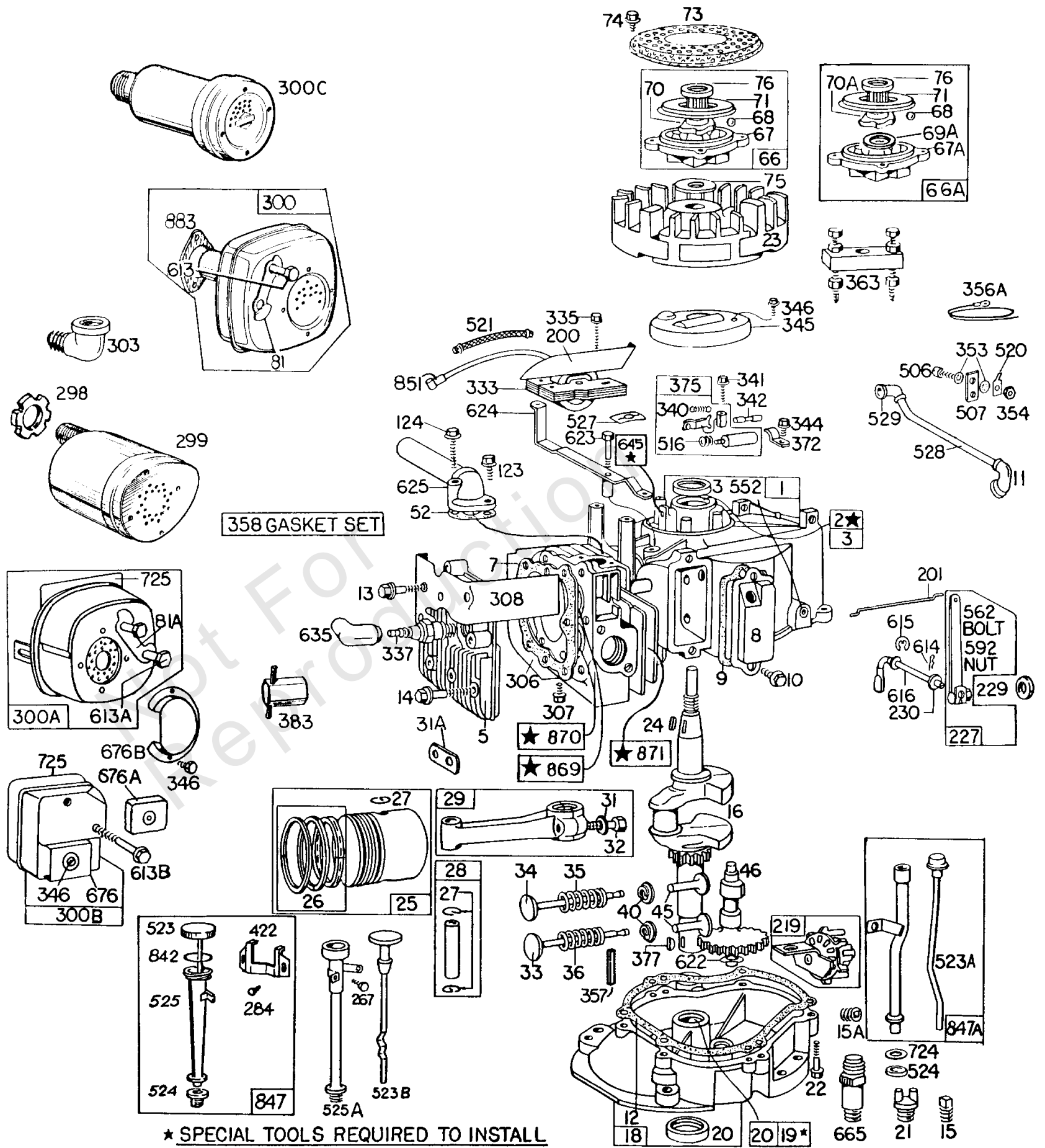
## Carburetor, FuelTank, A/C

REF NO	PART NO	QTY	DESCRIPTION
90	299448		CARBURETOR
95	93499		SCREW -(Throttle Valve)
96	211237		VALVE, Throttle
97	299692		SHAFT, Throttle
109	390076		SHAFT, Choke
114	66594		WASHER, Sealing -(Needle Valve)
116	65978		SEAL, O-Ring -(Needle Valve)
117	230590		NUT
118	23433		VALVE, Float Needle
127	22831		PLUG, Welch
147	230591		SEAT, Needle Valve
148	22235		WASHER
149	26336		SPRING, Needle Valve
151	93527		SCREW -(5-40 X 5/8)
152	260575		SPRING, Throttle Return
163A	27660		GASKET, Air Cleaner
163	271139		GASKET, Air Cleaner -(Above Spacer)
165	93856		NUT -(10-32)
166	231175		STUD -(Air Cleaner)
172	271077		SPACER, Air Cleaner
180	297257		TANK, Fuel
181	392304		CAP, Fuel Tank
190	93440		SCREW
191	270073		GASKET, Fuel Tank -Included in Gasket Set-Part No. 297616
202	260654		LINK, Throttle
209	260703		SPRING, Governor
268	66986		CASING, Control Wire -(Cut To Required Length)
269	26099		WIRE, Control -(Cut To Required Length) If longer wire is needed, specify length in inches; if shorter wire is needed order No. 26099 and cut to required length.
270	63426		NUT -(Control Wire Casing)
271	290568		LEVER, Control
305	93158		SCREW -(1/4-20 X 5/8)
351	91920		SCREW -(8-32 X 5/8)
352	66794		WASHER -(Insulating)
353	92791		WASHER
354	90576		NUT -(Ground Terminal)
355	66554		WASHER -(Insulating)
356	298479		WIRE, Stop
392	260455		SPRING, Pump Diaphragm
394	270026		DIAPHRAGM, Carburetor



## Carburetor, FuelTank, A/C

REF NO	PART NO	QTY	DESCRIPTION
408	93537		SCREW
409	299509		CONTROL, Speed
410	260948		LINK, Throttle
432	221377		CAP, Spring
433	93265		PIN, Locating
434	210959		COVER, Diaphragm
435	93141		SCREW -(Diaphragm Cover)
445	392308		FILTER, A/C Cartridge
446	222844		BASE, Air Cleaner
447	93913		SCREW
454	296178		FILTER, Fuel -(3/16 O.D. Brass Pipe)
467	212293		KNOB, Choke Shaft
534A	93818		SCREW -(Air Cleaner)
534	63949		STUD -(Air Cleaner)
534	93374		SCREW -(Air Cleaner)
535A	270979		FILTER, Air Cleaner Foam
535	270447		FILTER, Air Cleaner Foam
535	390492		FILTER, A/C Cartridge -Uses: 390588 Cover
536A	392368		CLEANER, Air -For Dual Element Air Cleaner Kit Order No. 393018
536	299447		CLEANER, Air
549A	270978		WASHER -(Below Internal Screw Head)
549	271118		WASHER
609	260029		SPRING, Throttle Return
611	391813		TUBE-PICK UP -(2 And 3 Quart Tanks)
612	296811		TUBE, Pick Up
617	270074		SEAL, O-Ring -(Intake)
618	260648		SPRING, Choke Return
619	93380		SCREW
620	297548		BRACKET, Control
621	297472		SWITCH, Stop
634	270167		SEAL, Choke/Throttle Shaft -(Felt)
642	222626		COVER, Air Cleaner
643A	222845		SUPPORT, Foam Element -(1/2 Deep)
643B	222594		SUPPORT, Foam Element -(1/4 Deep)
643	221321		CUP, Air Cleaner
681	299060		VALVE, High Speed -(Threaded)
853	394850		BRACKET, Air Cleaner
855	211982		ADAPTER, Air Cleaner



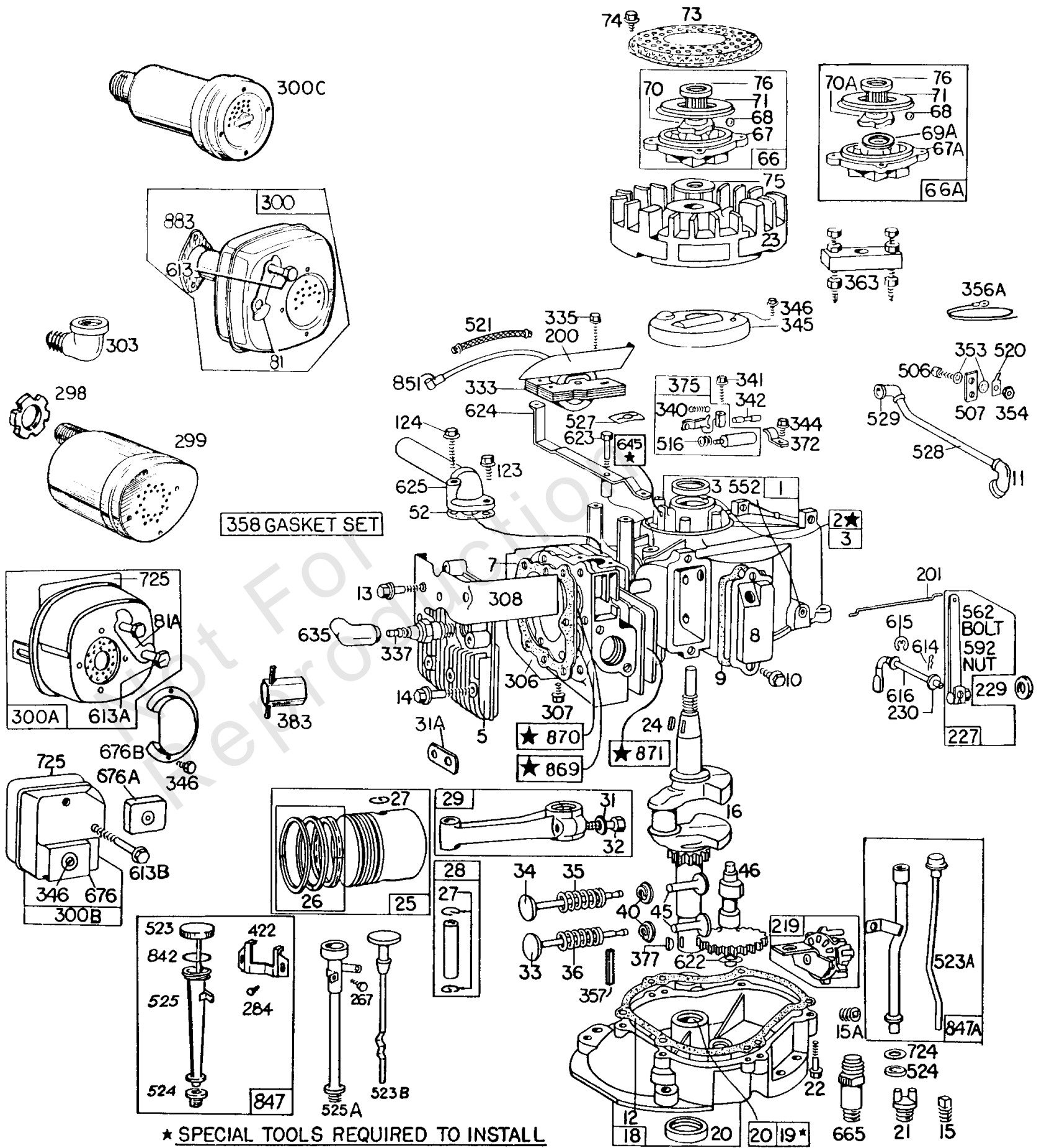
1309-1-33

## Cyl, Mufflers, Piston, Sump

REF NO	PART NO	QTY	DESCRIPTION
1	391981		CYLINDER ASSEMBLY
2	297565		KIT, Bushing/Seal
3	299819		SEAL, Oil -(Plain Bearing)
5	211542		HEAD, Cylinder
7	270383		GASKET, Cylinder Head -Included in Gasket Set-Part No. 297616
8	297261		BREATHER ASSEMBLY
9	27549		GASKET, Rocker Cover -Included in Gasket Set-Part No. 297616
10	93394		SCREW
11	67738		TUBE, Breather
12	270069		GASKET, Crankcase -(.015) Included in Gasket Set-Part No. 297616
12	270122		GASKET, Crankcase -(.005) Included in Gasket Set-Part No. 297616
12	270123		GASKET, Crankcase -(.009) Included in Gasket Set-Part No. 297616
13	93368		SCREW -(2 3/32)
13	93583		STUD -(Cylinder Head)
14	93369		SCREW -(2-15/32)(Cylinder Head)
14	93583		STUD -(Cylinder Head)
15A	93418		PLUG, Oil Drain -(Flush)
15	91084		PLUG, Oil Drain -(3/8)
16	260922		CRANKSHAFT
18	297587		SUMP, Engine
19	297604		KIT, Bushing/Seal
20	391485		SEAL, Oil -(Crankshaft- PTO Side)
21	66768		PLUG, Oil
22	93032		SCREW -(Fuel Tank) (Tank)
23	297229		FLYWHEEL
24	61760		KEY, Flywheel -(Breaker Ignition)
25	298904		PISTON ASSEMBLY -(Standard)
25	298905		PISTON ASSEMBLY -(.010 Oversize)
25	298906		PISTON ASSEMBLY -(.020 Oversize)
25	298907		PISTON ASSEMBLY -(.030 Oversize)
26	298982		RING SET-STD -(Standard)
26	298983		SET, Ring -(.010 Oversize)
26	298984		RING SET-020 -(.020 Oversize)

### Footnotes:

(For Stamped Rewind Housing)



★ SPECIAL TOOLS REQUIRED TO INSTALL  
SEE REPAIR INSTRUCTION MANUAL

1309-1-33

## Cyl, Mufflers, Piston, Sump

REF NO	PART NO	QTY	DESCRIPTION
26	298985		SET, Ring -(.030 Oversize)
26	299742		SET, Ring -(Standard)
27	26026		LOCK, Piston Pin
28	298908		PIN, Piston -(.005 Oversize)
28	298909		PIN, Piston
29	299429		ROD, Connecting -For Connecting Rod with .020 undersize Crankpin Bore-order No. 390459
31A	221876		LOCK, Screw Head
31	222282		WASHER
32	92296		SCREW -(Connecting Rod)
33	211119		VALVE, Exhaust
34	260961		VALVE, Intake -Used Before Code Date 6907241
34	261044		VALVE, Intake -Used After Code Date 6907231
35	260552		SPRING, Valve -(Exhaust)
36	26478		SPRING, Valve -(Exhaust)
40	230126		PIN, Retainer
40	292259		RETAINER, Valve -(Exhaust)
40	93312		RETAINER, Valve -(Valves With Groove In Stem)
45	260642		TAPPET, Valve
46	211117		CAMSHAFT
52	270070		GASKET, Intake -Included in Gasket Set-Part No. 297616
66A	393117		CLUTCH, Starter -For engines with Ring Gear on Flywheel equipped for or with Electric Motor.
66	298310		CLUTCH, Starter -(Rewind Starter)
67A	261453		HOUSING, Clutch -(5/8-18 For Engines Equipped For Electric Start) For engines with Ring Gear on Flywheel-equipped for or with Electric Motor.
67	212131		HOUSING, Clutch
68	63770		BALL, Clutch
69A	66718		WASHER -(1-1/16 O.D. X 17/32 I.D.) (1 1/16 O.D. X 17/32 I.D.)
70A	298799		RATCHET, Clutch -For engines with Ring Gear on Flywheel equipped for with Electric Motor. (engine W/Ring Gear on FW equipped for Elec Start)
70	298436		RATCHET, Clutch
71	221653		WASHER
73	221923		SCREEN, Rotating
74	93490		SCREW -(Rotating Screen)
75	220865		WASHER -(Heavy Flywheel)
76	68238		SEAL, Ratchet

### Footnotes:

(For Stamped Rewind Housing)





## Cyl, Mufflers, Piston, Sump

REF NO	PART NO	QTY	DESCRIPTION
123	93512		SCREW -(53/64)
124	93367		SCREW -(1-1/8) (1 1/8)
200	221480		GUIDE, Air
201	260649		LINK, Mechanical Governor
219	297249		SLINGER, Governor/Oil
227	297583		LEVER, Governor Control -(3/16 Diameter) -Used Before Code Date 75061010
227	391967		LEVER, Governor Control -(1/4 Diameter) -Used After Code Date 75060910
229	220680		WASHER
230	221559		WASHER -(3/16 I.D.)
230	222450		WASHER
267	93469		SCREW
284	93410		SCREW
298	261409		LOCKNUT -(Muffler and Elbow)
299	392811		MUFFLER -(Lo Tone)
300C	393010		MUFFLER -(Round Lo Tone)
300B	297274		DEFLECTOR, Muffler
300A	391313		MUFFLER
300	393615		MUFFLER -(Lo Tone)
303	91464		ELBOW, Exhaust -(90 Degree Street)
306	221484		SHIELD, Cylinder
307	93042		SCREW
308	221452		COVER, Cylinder Head
333	298316		ARMATURE, Magneto -(Points And Condenser)
335	93414		SCREW
337	293918		PLUG, Spark
337	29693		PLUG, Spark
337	298809		PLUG, Spark
337	392588		PLUG, Spark
340	26018		SPRING, Breaker Arm
341	93381		SCREW
342	65704		PLUNGER, Breaker
344	93042		SCREW
345	220366		COVER, Breaker
346	93705		SCREW -(8-32 X 3/8)
346	93712		SCREW
353	92791		WASHER
354	90576		NUT -(Ground Terminal)
356A	299500		WIRE, Stop -(Used with Armature Refs. 333A and 333B)

### Footnotes:

(For Stamped Rewind Housing)



## Cyl, Mufflers, Piston, Sump

REF NO	PART NO	QTY	DESCRIPTION
357	91540		KEY, Drive Pulley -(1/4)
358	297616		GASKET SET, Engine
363	19069		PULLER, Flywheel
372	220477		CLAMP
375	294628		BREAKER, Ignition
375	299061		BREAKER, Ignition -Includes: 294628 Point Set 65704 Plunger 61760 Key-Flywheel
377	93065		KEY, Woodruff -(#6)
383	89838		WRENCH, Spark Plug
422	222576		CLAMP, Tube
506	90200		SCREW -(8-32 X 1/2)
507	66895		INSULATOR
516	260374		SPRING, Condensor
520	93722		TERMINAL, Ground
521	298529		SHIELD, Protective
523A	298664		DIPSTICK -For complete Oil Fill Cap and Oil Filler Tube Assy.-order No. 298715
523	391840		DIPSTICK/CAP ASSEMBLY -(Screw Cap)
524	270306		SEAL, O-Ring -(Dipstick Tube)
524	68838		SEAL, O-Ring -(Dipstick Tube)
525	280133		TUBE, Dipstick -(Plastic Screw Cap Dipstick)
527	93376		CLAMP, Tube
528	230717		TUBE, Breather
529	67608		GROMMET -(Used with Pull Choke Carburetors)
552	230735		BUSHING, Governor Crank -(3/16 I.D.) -Used Before Code Date 75061010
552	231078		BUSHING, Governor Crank -(1/4 I.D.) -Used After Code Date 75060910
562	92613		BOLT -(Governor Lever)
592	231082		NUT -(Governor Control)
613B	93377		SCREW -(Muffler)
613B	93721		SCREW -(Muffler)
613A	93704		SCREW -(Muffler)
613	93549		SCREW -(1/4-20)
613	93935		SCREW -(Muffler)
614	93306		PIN, Cotter
615	93307		RETAINER, Governor Shaft

### Footnotes:

(For Stamped Rewind Housing)



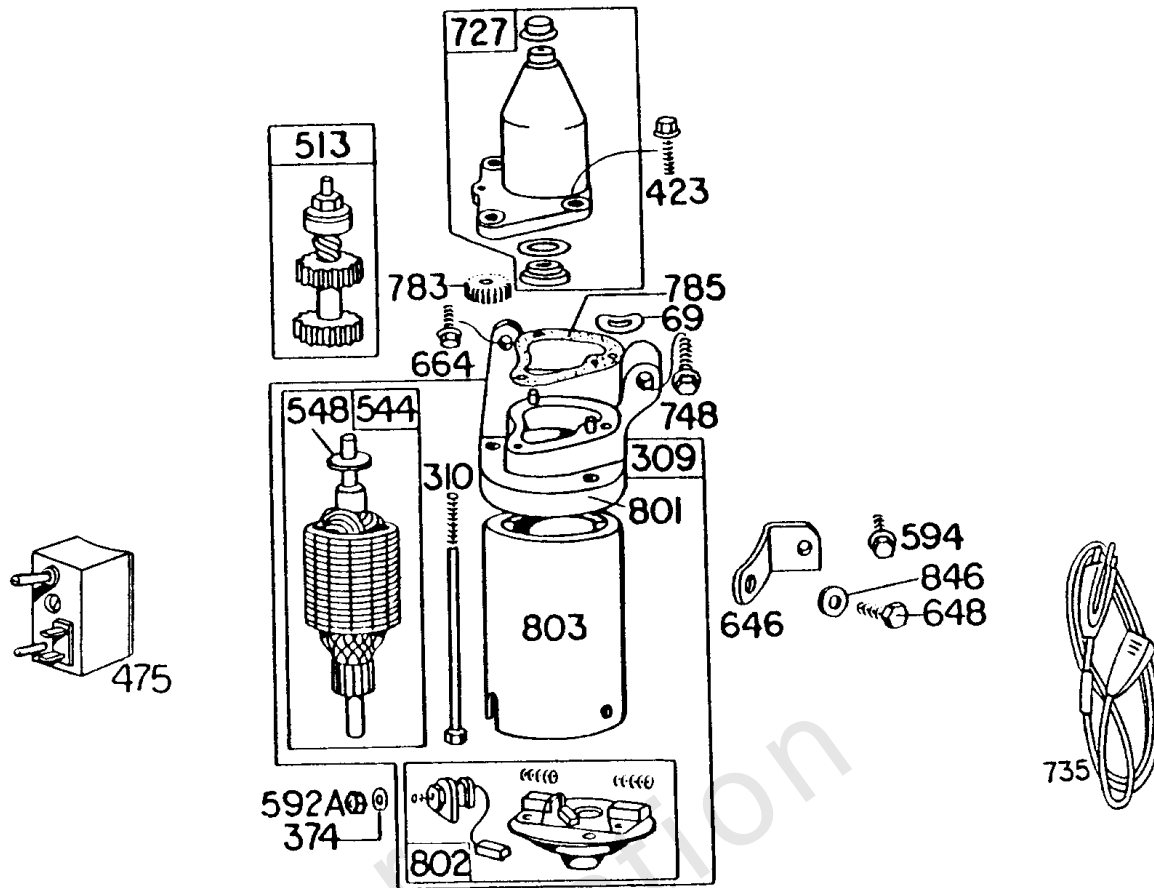
## ***Cyl, Mufflers, Piston, Sump***

<b>REF NO</b>	<b>PART NO</b>	<b>QTY</b>	<b>DESCRIPTION</b>
616	230714		CRANK, Governor -(3/16 Diameter) -Used Before Code Date 75060910
616	231076		CRANK, Governor -(1/4 Diameter) -Used After Code Date 75061010
622	260676		WASHER -(Spring)
623	93838		SCREW -(6-32)
624	297252		LEVER, Linkage
625	297254		MANIFOLD, Intake
635	66538		BOOT, Spark Plug
645	23513		BUSHING, Plunger -(Used only with Breaker Point Ignition)
665	296768		MINDER, Oil
676A	221527		DEFLECTOR, Muffler -(Direct Outlet)
676B	393757		DEFLECTOR, Muffler -(Side Outlet)
676	221488		DEFLECTOR, Muffler -(Side Outlet)
724	231004		RETAINER, Seal
725	221885		SHIELD, Heat
842	270920		SEAL, O-Ring -(Dipstick Tube) (Oil Fill)
847A	298715		TUBE, Dipstick
847	392066		DIPSTICK/TUBE ASSEMBLY
851	221798		TERMINAL, Spark Plug
869	211787		SEAT, Valve -(Intake)
870	211172		SEAT, Valve -(Intake)
871	63709		BUSHING, Valve Guide -(Intake)
883	270918		GASKET, Exhaust

---

**Footnotes:**

(For Stamped Rewind Housing)



Subject	Ref. No. 309	Ref. No. 513	Ref. No. 544	Ref. No. 803	Ref. No. 802	Ref. No. 475
Starter Motor Mfr.	Motor	Drive Assembly	Armature Assembly	Housing Assembly	End Cap Assy. Commutator	Rectifier Assembly
American Bosch						
12V	390232*	390581	390467	390468	390465	
110V	391355	391029	393954	393955	393952	393956

\*Uses #92813 Lockwasher and #231082 Hex Nut.

Parts Common to the 12V and 110V Motors

Ref. No. 423	Ref. No. 727	Ref. No. 785	Ref. No. 783	Ref. No. 69	Ref. No. 310	Ref. No. 548	Ref. No. 664	Ref. No. 748	Ref. No. 801
Sem. Screw 93654	Drive Hsg. 390317	Gasket 270677	Pinion 230972	Washer 93676	Motor Bolt 93648	Washer 93649	Mtg. Screw 93415	Mtg. Screw 93534	Mounting Head 390318

## Electric Starter and Chart

REF NO	PART NO	QTY	DESCRIPTION
69	93676		WASHER -(Spring)
309	390232		MOTOR, Starter -(American Bosch 12V) Uses #92813 Lockwasher and #231082 Hex Nut
309	391355		MOTOR, Starter -(American Bosch 110V)
310	93648		SCREW
374	92813		WASHER
423	93654		SCREW
475	393956		RECTIFIER -(American Bosch 110V)
513	390581		DRIVE, Starter
513	391029		DRIVE, Starter -(American Bosch 110V)
544	390467		ARMATURE, Starter -(American Bosch 12V)
544	393954		ARMATURE, Starter -(American Bosch 110V)
548	93649		WASHER
592A	90356		NUT -(10-24)
594	93559		SCREW -(Tank) (Fuel Tank)
646	222162		BRACKET, Starter Motor
648	91468		SCREW -(1/4-20 X 3/8)
664	93415		SCREW -(1/4-20 X 3/4)
727	390317		COVER, Starter Drive -Flywheel Ring Gear Material Steel
735	390900		CORD, Starter -(Includes Switch)
748	93534		SCREW
783	230972		GEAR, Pinion -Parts Common to the 12V and 110V Motors
785	270677		GASKET, Gear Cover/Housing -Parts Common to the 12V and 110V Motors
801	390318		CAP, Drive -Parts Common to the 12V and 110V Motors
802	390465		CAP, End -(American Bosch 12V)
802	393952		CAP, End -(American Bosch 110V)
803	390468		HOUSING, Starter -(American Bosch 12V)
803	393955		HOUSING, Starter -(American Bosch 110V)
846	93763		WASHER -(Spring)

**Replacement Engine - Europe, Middle East & Africa**

---

REF NO	PART NO	QTY	DESCRIPTION
	-----		REPAIR ORIGINAL ENGINE WITH SPARE PARTS

---

Not For Reproduction



**Replacement Engine - US & Canada**

---

REF NO	PART NO	QTY	DESCRIPTION
	-----		Top No-Load Speed: 3600 -Trim: ALL

---

Not For Reproduction

