



# Parts Manual

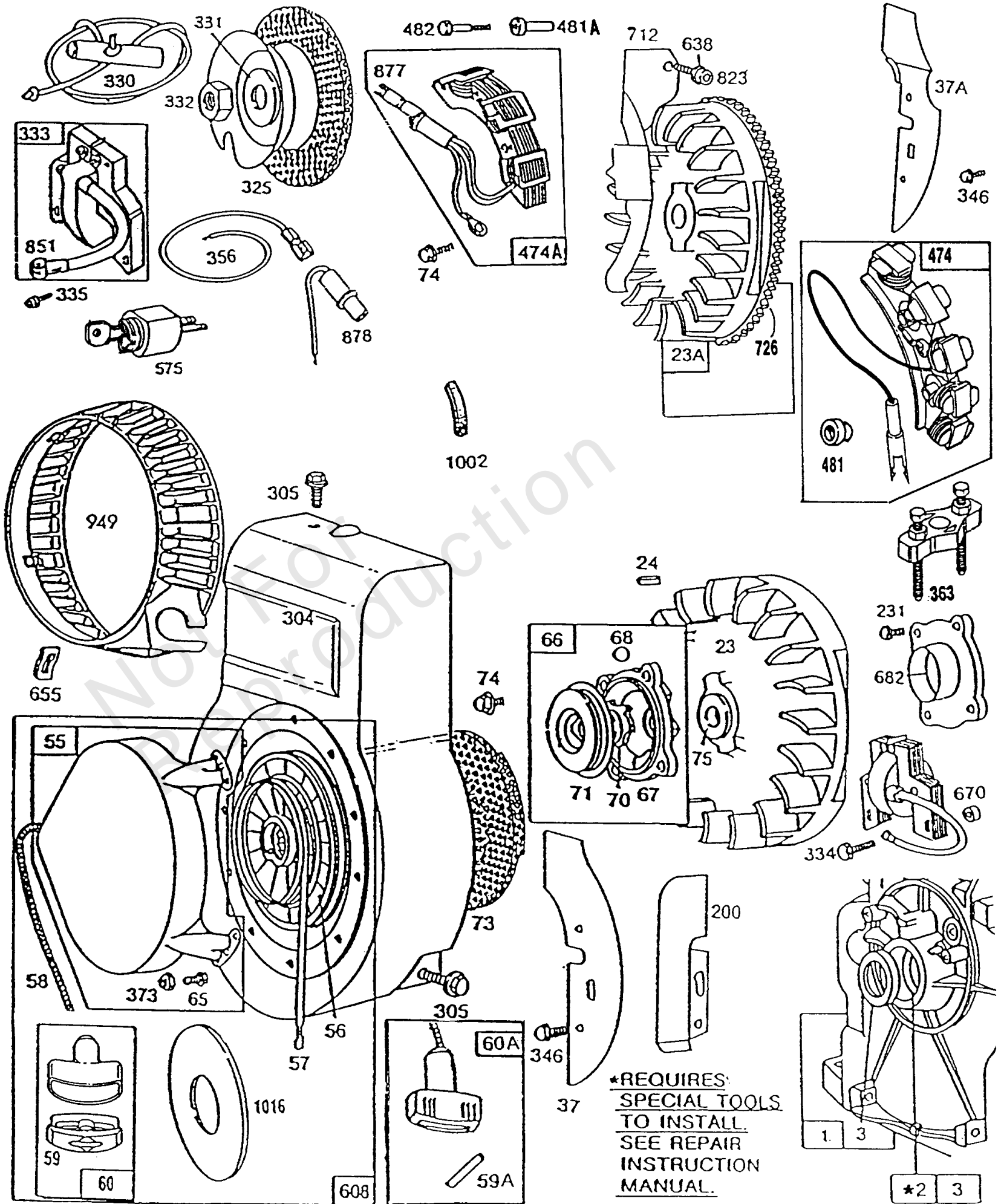
Mfg. No: 130202-3205-01



---

<b>Model Components</b>	<b>Page</b>
Blower Hsg, Flywheel, Rewind. ....	4
Carburetor, Controls, Oil Gard. ....	8
Cylinder, Gear Case, Piston Grp. ....	12
Electric Starter. ....	20
Mufflers, Deflectors, Fuel, A/C. ....	22
Replacement Engine - Europe, Middle East & Africa. ....	28
Replacement Engine - US & Canada. ....	29

Not For  
Reproduction

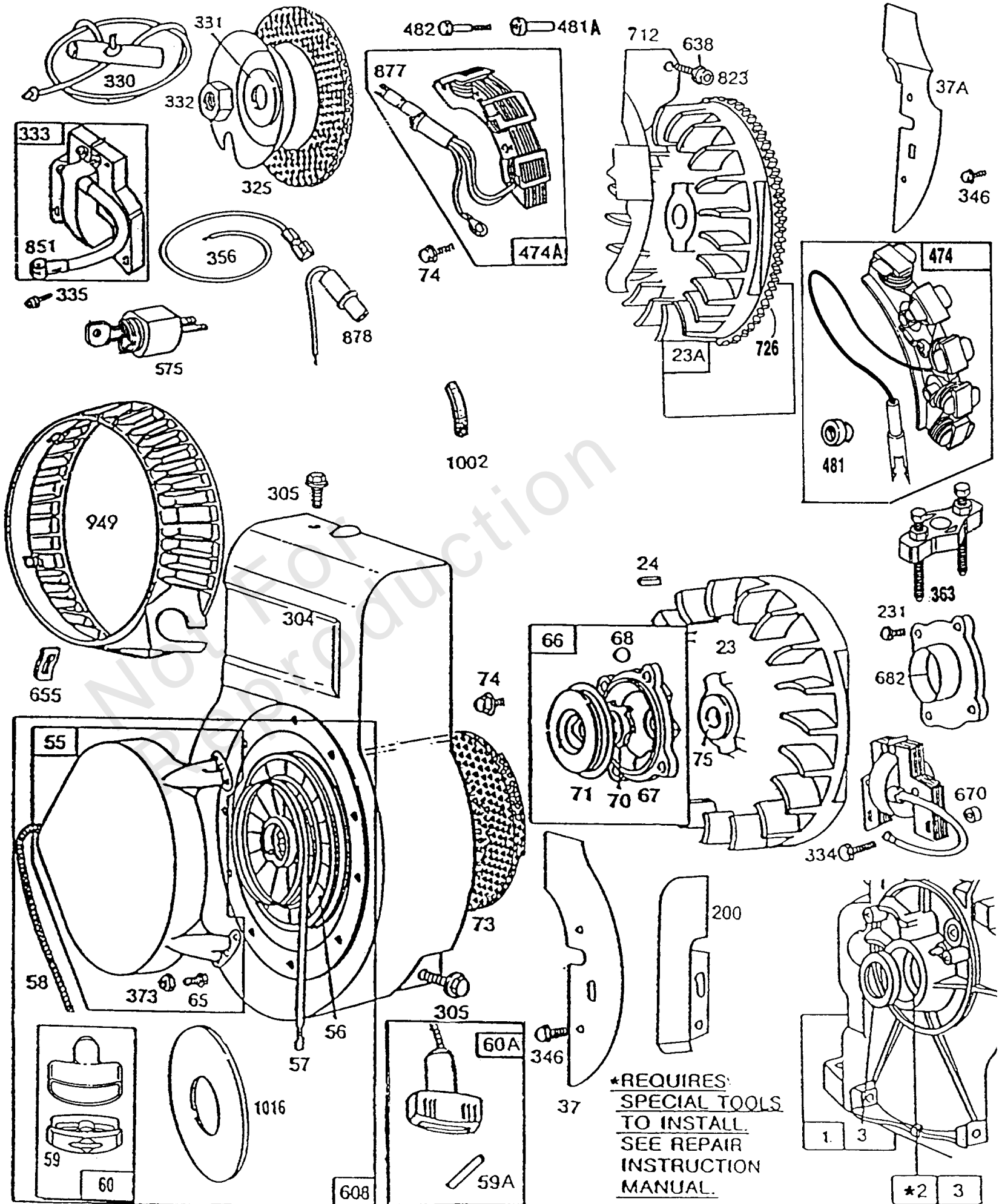


## Blower Hsg, Flywheel, Rewind

REF NO	PART NO	QTY	DESCRIPTION
1	395990		CYLINDER ASSEMBLY
1	398765		CYLINDER ASSEMBLY -(Oil Guard) -Used Before Code Date 91070100
1	494955		CYLINDER ASSEMBLY -Used After Code Date 91063000
2	297565		KIT, Bushing/Seal
3	299819		SEAL, Oil -(Plain Bearing) Included in Gasket Set-Part No. 397145
23A	493456		FLYWHEEL -(Inc Steel Ring Gear) Use w/Steel Pinion Starter
23	297229		FLYWHEEL
24	222698		KEY, Flywheel
37A	222578		GUARD, Flywheel -(Electric Starter)
37	222443		GUARD, Flywheel
55	299431		HOUSING, Rewind Starter
56	295871		PULLEY, Starter -(63 Rope) If Longer Rope is Required, Order Rope No. 66894 and Cut to Length.
57	490179		SPRING-REWIND STR
58	66884		ROPE, Starter -(Cut To Required Length) If Longer Rope is Required, Order Rope No. 66894 and Cut to Length.
59A	230228		PIN, Starter Grip
59	490653		INSERT, Grip
60A	66728		GRIP, Starter Rope
60	490652		GRIP-STARTER ROPE
65	94128		SCREW
66	399671		CLUTCH-STARTER -(Uses Rubber Coated Retainer Washer-Ref. 71)
67	394897		HOUSING, Clutch
68	63770		BALL, Clutch
70	298799		RATCHET, Clutch -(engine W/Ring Gear on FW equipped for Elec Start)
71	394506		COVER, Ratchet -(Rubber Coated)
73	221923		SCREEN, Rotating
74	93490		SCREW -(Rotating Screen)
74	93808		SCREW
75	224061		WASHER -(5/8 Hole)
200	223886		GUIDE, Air -(Rewind Starter)
231	93064		SCREW
304	490169		HOUSING, Blower
305	93158		SCREW -(1/4-20 X 5/8)
325	299421		PULLEY, Rope Starter -(With Screen)
330	69932		GRIP, Starter Rope
331	224061		WASHER -(5/8 Hole)

### Footnotes:

To Replace Crankshaft Gear Pin, Order Part No. 230978



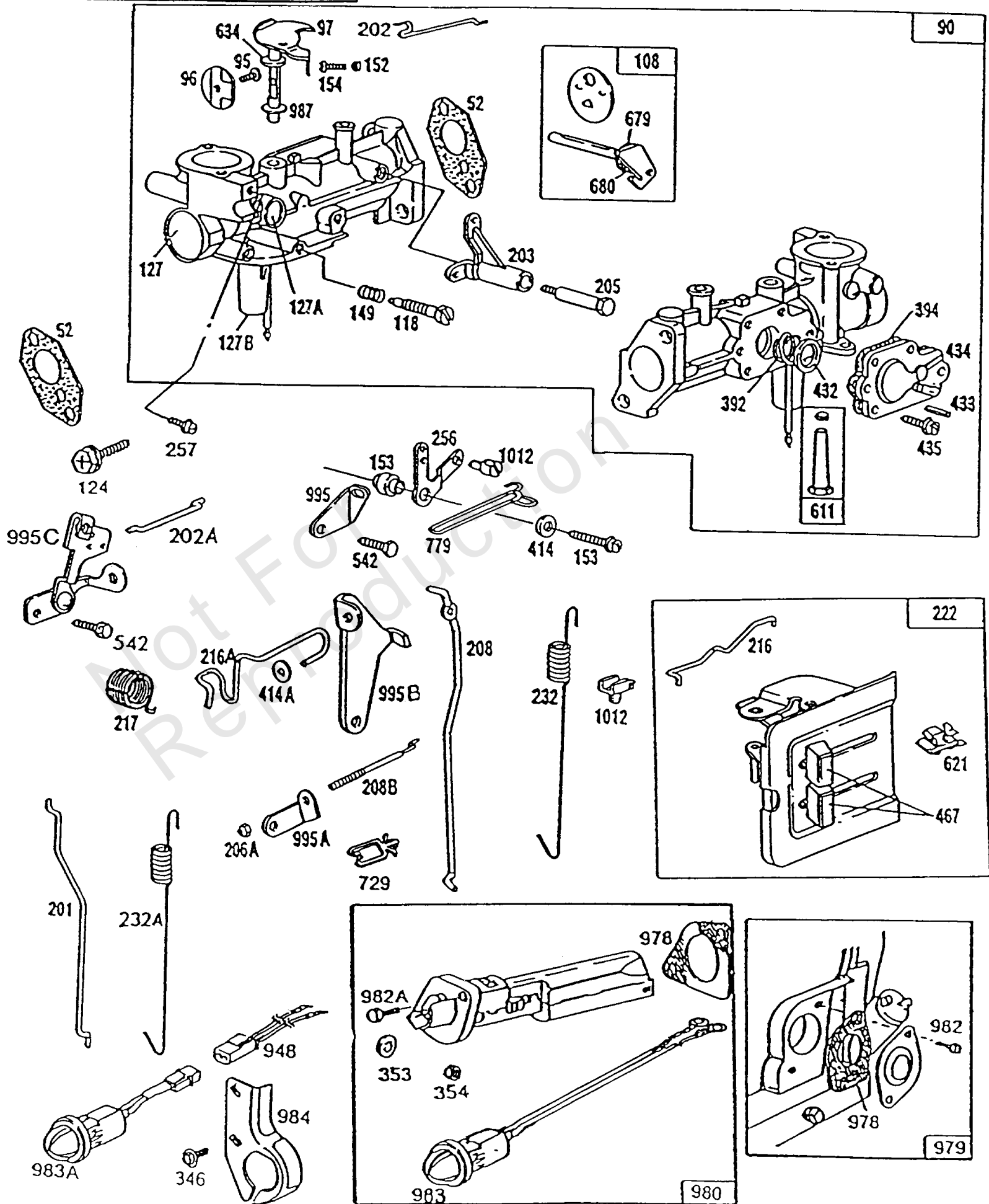
## Blower Hsg, Flywheel, Rewind

REF NO	PART NO	QTY	DESCRIPTION
332	92284		NUT -(Flywheel)
333	397358		ARMATURE-MAGNETO
334	93613		SCREW -(Armature)
335	93414		SCREW
346	93705		SCREW -(8-32 X 3/8)
356	398808		WIRE, Stop -(Cut To Required Length)
363	19069		PULLER, Flywheel
373	92987		STARTER, Rewind
474A	494254		ALTERNATOR -Used Before Code Date 91041500
474	494254		ALTERNATOR -Used After Code Date 91041400
481A	230970		BUSHING, Alternator -Used Before Code Date 91041500
481	231767		BUSHING, Alternator -Used After Code Date 91041400
482	93639		SCREW
575	396291		SWITCH, Starting -Uses: 392832 Key Set
608	390463		STARTER-REWIND
638	93713		WASHER
655	222598		ANCHOR, Rewind Spring -(Stamped Rewind Housing)
670	261065		SPACER
682	211516		SHIELD, Starter
712	223140		GUARD, Flywheel -(With One Tab for 1-5/8 Cut Out in Blower Hsg)
726	494548		GEAR, Ring -(Includes Mounting Hardware)
823	93712		SCREW
851	221798		TERMINAL, Spark Plug
877	393854		WIRE/CONNECTOR, Alternator
878	393422		WIRE ASSEMBLY -(Dc Only)
949	280680		GUARD, Rewind
1002	280783		TRIM, Blower Housing Cover
1016	490817		SPACER-REWIND -(Rewind)

### Footnotes:

To Replace Crankshaft Gear Pin, Order Part No. 230978

121 CARBURETOR OVERHAUL KIT





## Carburetor, Controls, Oil Gard

REF NO	PART NO	QTY	DESCRIPTION
52	271936		GASKET, Intake -Included in Gasket Set-Part No. 397145. Included in Carburetor Overhaul Kit- Part No. 494624
90	492611		CARBURETOR
95	93499		SCREW -(Throttle Valve)
96	223793		VALVE, Throttle
97	490048		SHAFT, Throttle
108	491177		KIT, Choke Shaft
118	231533		VALVE, Float Needle
121	494624		KIT, Carburetor Overhaul
124	93357		SCREW
127B	223472		PLUG, Welch -Used After Code Date 87011100 and Before Code Date 89022500
127A	223789		PLUG, Welch
127B	223790		PLUG, Welch -Used Before Code Date 87011200
127	220352		PLUG, Welch
149	26336		SPRING, Needle Valve
152	260575		SPRING, Throttle Return
153	490589		SCREW -(Carburetor)
154	93527		SCREW -(5-40 X 5/8)
201	262280		LINK, Mechanical Governor
202A	262470		LINK, Throttle
202	262270		LINK, Throttle -(Mechanical Governor)
203	280720		CRANK, Bell -(Mechanical Governor)
205	231520		SCREW -(8-32)
206A	94081		NUT
208B	262321		ROD, Governor Control
208	262279		ROD, Governor Control
216A	262275		LINK, Choke
216	262274		LINK, Choke -Used Before Code Date 87030200
216	262359		LINK, Choke -Used After Code Date 87030100
217	262281		SPRING/LINK, Mechanical Governor
222	490649		BRACKET, Control
232A	262310		SPRING, Governor -(Return)
232	262288		SPRING, Governor -(Return)
256	223813		CRANK, Bell
257	93543		SCREW -(10-32 X 3/8)
346	93705		SCREW -(8-32 X 3/8)
353	92791		WASHER
354	90576		NUT -(Ground Terminal)
392	262328		SPRING, Pump Diaphragm
394	270026		DIAPHRAGM, Carburetor -Included in Carburetor Overhaul Kit-Part No. 494624



## Carburetor, Controls, Oil Gard

REF NO	PART NO	QTY	DESCRIPTION
414A	221198		WASHER
414	220982		WASHER
432	221377		CAP, Spring
433	93265		PIN, Locating
434	210959		COVER, Diaphragm
435	93141		SCREW -(Diaphragm Cover)
467	280715		KNOB, Control
542	93572		SCREW -(10-32 X 3/8)
611	391813		TUBE-PICK UP -(2 And 3 Quart Tanks)
621	396847		SWITCH, Stop
634	271853		WASHER -(Foam)
679	270382		WASHER -(Foam)
680	221839		WASHER
729	280590		CLIP, Wire
779	262276		LINK, Control
948	398661		HARNESS, Wiring
978	271736		GASKET, Oil Guard -(Oil Guard)
979	494807		COVER, Oil Guard
980	398182		KIT, Oil Gard
982A	94657		SCREW
982	94658		SCREW
983A	398660		LIGHT, Indicator -(Mounting With Light Bracket)
983	490489		LIGHT, Indicator -Uses: 280275 Tie-Cable
984	223773		BRACKET, Oil Guard Light
987	398970		SEAL, Throttle Shaft -(Lmt 46, 49, 50, 51, 53, 86)
995C	491577		BRACKET, Link
995B	223814		BRACKET, Link
995A	491577		BRACKET, Link
995	223887		BRACKET, Link
1012	490507		RETAINER, Link



## Cylinder, Gear Case, Piston Grp

REF NO	PART NO	QTY	DESCRIPTION
1	395990		CYLINDER ASSEMBLY
1	398765		CYLINDER ASSEMBLY -(Oil Guard) -Used Before Code Date 91070100
1	494955		CYLINDER ASSEMBLY -Used After Code Date 91063000
3	299819		SEAL, Oil -(Plain Bearing) Included in Gasket Set-Part No. 397145
5	211542		HEAD, Cylinder
7	272157		GASKET, Cylinder Head -Included in Gasket Set-Part No. 397145
8	294178		COVER, Breather Passage
9	27549		GASKET, Rocker Cover -Included in Gasket Set-Part No. 397145
10	94621		SCREW -(Breather Assembly)
12	270080		GASKET, Crankcase -(.015) Included in Gasket Set-Part No. 397145
12	270125		GASKET, CRANKCASE -(.005) Included in Gasket Set-Part No. 397145
12	270126		GASKET-CRKCSE/009 -(.009) Included in Gasket Set-Part No. 397145
13	93368		SCREW -(2 3/32)
13	93583		STUD -(Cylinder Head)
14	93369		SCREW -(2-15/32)(Cylinder Head)
14	93583		STUD -(Cylinder Head)
15	91249		PLUG, Oil Drain -(1/4 Square)
15	93448		PLUG, Oil Drain -(Flush) (1/4-18 NPTF) (Flush) (1/4 18 NPTF)
15	94174		PLUG, Oil Drain
16	397087		CRANKSHAFT -Used After Code Date 91063000
16	397091		CRANKSHAFT -Used After Code Date 91063000
16	397095		CRANKSHAFT -Used After Code Date 91063000
16	397102		CRANKSHAFT -Used After Code Date 91063000
16	492088		CRANKSHAFT -To Replace Crankshaft Gear Pin, Order Part No. 230978
16	493290		CRANKSHAFT -Used After Code Date 91063000
16	494035		CRANKSHAFT -Used After Code Date 91063000
17	99158		BEARING-BALL
18	297602		COVER, Crankcase
19	297603		KIT, Bushing/Seal
20	294606		SEAL, Oil
21A	399195		PLUG, Oil -(High Oil Fill)

### Footnotes:

To Replace Crankshaft Gear Pin, Order Part No. 230978



## Cylinder, Gear Case, Piston Grp

REF NO	PART NO	QTY	DESCRIPTION
21	66768		PLUG, Oil
22	93032		SCREW -(Fuel Tank) (Tank)
22	93656		STUD
22	94067		STUD
25	298904		PISTON ASSEMBLY -(Standard)
25	298905		PISTON ASSEMBLY -(.010 Oversize)
25	298906		PISTON ASSEMBLY -(.020 Oversize)
25	298907		PISTON ASSEMBLY -(.030 Oversize)
26	298982		RING SET-STD -(Standard)
26	298983		SET, Ring -(.010 Oversize)
26	298984		RING SET-020 -(.020 Oversize)
26	298985		SET, Ring -(.030 Oversize)
26	299742		SET, Ring -(Standard)
27	26026		LOCK, Piston Pin
28	298908		PIN, Piston -(.005 Oversize)
28	298909		PIN, Piston
29	299430		ROD, Connecting -For Connecting Rod With .020 Undersize Crankpin Bore-Order No. 390459
30	221890		DIPPER, Connecting Rod
31	221876		LOCK, Screw Head
32	92296		SCREW -(Connecting Rod)
33	211119		VALVE, Exhaust
33	262464		VALVE, Exhaust -Used After Code Date 90051400
34	261044		VALVE, Intake
35	260552		SPRING, Valve -(Exhaust)
36	262750		SPRING, Valve -(Exhaust) -Used After Code Date 90051400
36	26478		SPRING, Valve -(Exhaust)
40	230126		PIN, Retainer
40	292259		RETAINER, Valve -(Exhaust)
40	491442		RETAINER, Valve -(Exhaust) -Used After Code Date 90051400
40	93312		RETAINER, Valve -(Valves With Groove In Stem)
45	260642		TAPPET, Valve
46	212733		CAMSHAFT
79	290779		CASE, Gear Reduction

### Footnotes:

To Replace Crankshaft Gear Pin, Order Part No. 230978



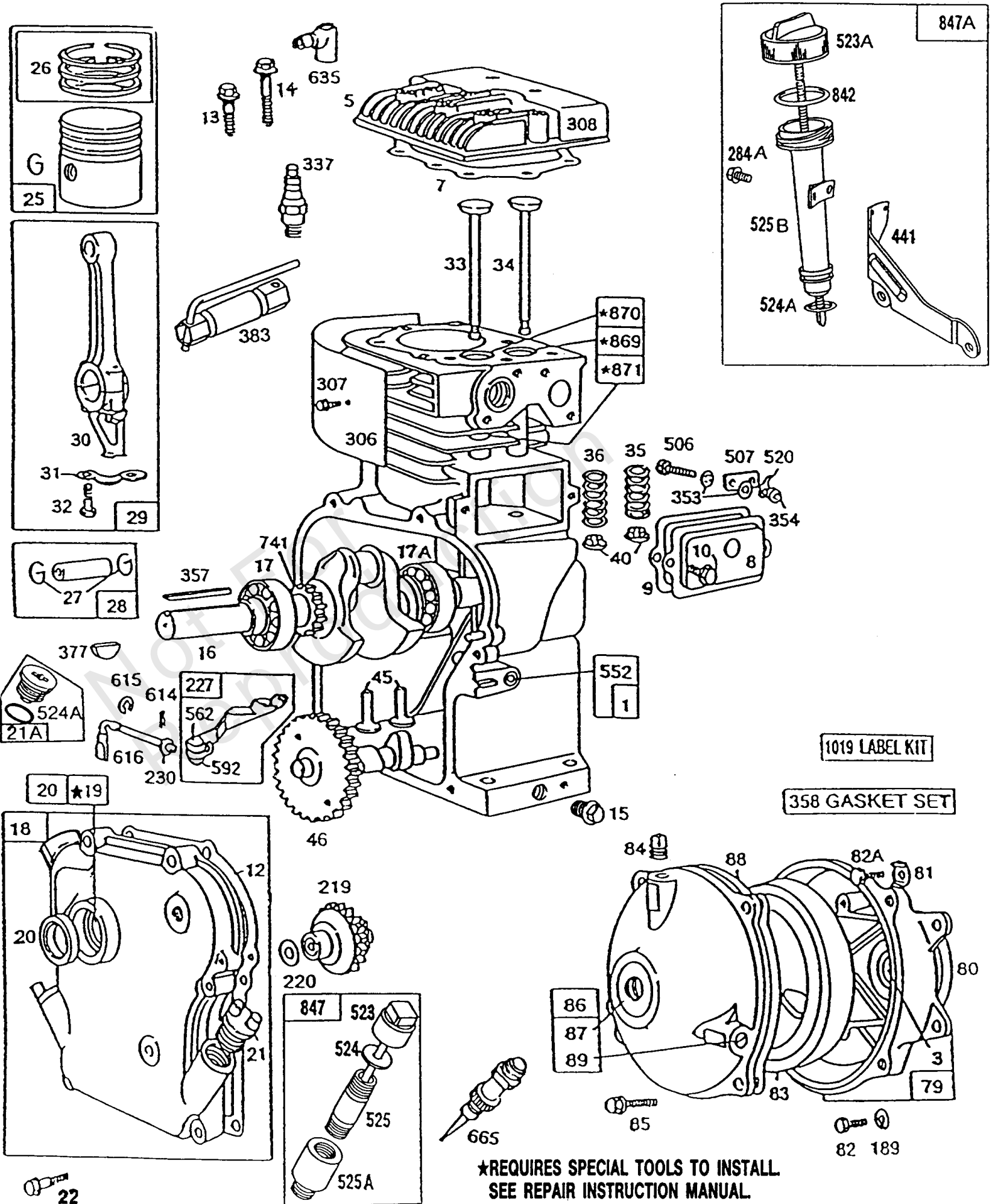


## Cylinder, Gear Case, Piston Grp

REF NO	PART NO	QTY	DESCRIPTION
80	27667		GASKET, Gear Case
81	220234		LOCK, Muffler Screw
82A	92279		SCREW -(5/16-24 X 1/2)
82	91541		SCREW -(5/16-24 X 7/8)
83	211293		SHAFT, Auxiliary Drive
84	92617		SCREW -(Gear Case)
85	92747		SCREW -(Used on Two Top Holes to Mount Cover)
86	291730		COVER, Gear
87	19011		SEAL, Oil
88	27313		GASKET, Gear Cover/Housing
89	93448		PLUG, Oil Drain -(Flush) (1/4-18 NPTF) (Flush) (1/4 18 NPTF)
189	90366		WASHER
219	391737		GEAR, Governor -Used Before Code Date 91061000
219	494845		GEAR, Governor -Used After Code Date 91060900
220	221551		WASHER -(Governor Lever)
227	490374		LEVER, Governor Control
230	222450		WASHER
284A	94620		SCREW -(Control Panel)
306	221511		SHIELD, Cylinder
307	93042		SCREW -Used Before Code Date 87020900
307	93490		SCREW -Used After Code Date 87020800
308	221512		COVER, Cylinder Head
337	293918		PLUG, Spark
337	298809		PLUG, Spark
337	492167		PLUG, Spark
337	802592		PLUG, Spark -(Resistor)
353	92791		WASHER
354	90576		NUT -(Ground Terminal)
357	91539		KEY, Drive Pulley -(3/16 Square)
358	397145		GASKET SET, Engine
377	93065		KEY, Woodruff -(#6)
383	89838		WRENCH, Spark Plug
441	224240		BRACKET, Oil Fill
506	90200		SCREW -(8-32 X 1/2)
507	66895		INSULATOR
520	93722		TERMINAL, Ground
523A	494416		DIPSTICK/CAP ASSEMBLY -Used After Code Date 90102800

### Footnotes:

To Replace Crankshaft Gear Pin, Order Part No. 230978

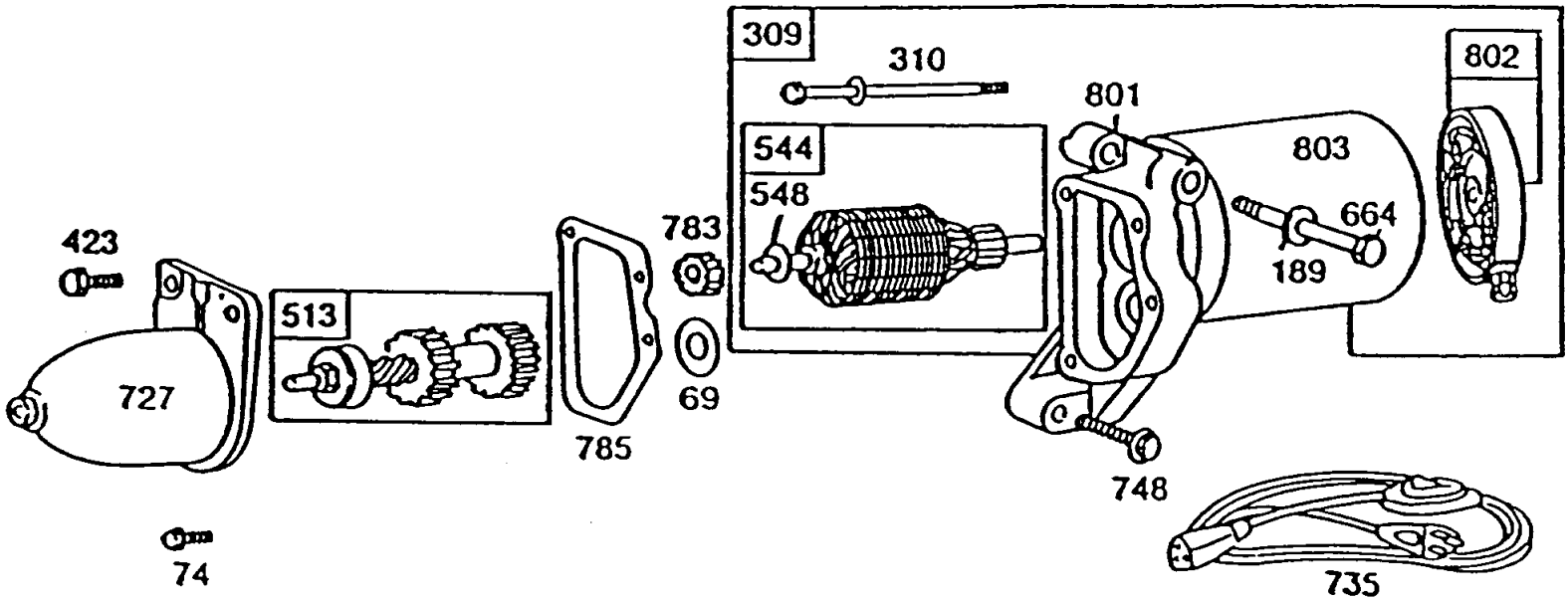


## Cylinder, Gear Case, Piston Grp

REF NO	PART NO	QTY	DESCRIPTION
523A	492249		DIPSTICK/CAP ASSEMBLY -Used Before Code Date 90102900
523	297357		DIPSTICK/CAP ASSEMBLY
524A	271485		SEAL, O-Ring -(Dipstick Tube) (Oil Fill)
524	65304		SEAL, O-Ring -(Dipstick Cap)
525B	280578		TUBE, Dipstick -Used After Code Date 90102800
525A	394884		TUBE, Dipstick
525B	280508		TUBE, Dipstick -(Electric And Vertical Pull Starter) -Used Before Code Date 90102900
525	91258		TUBE, Dipstick -(2 1/2)
552	231079		BUSHING, Governor Crank -(1/4 I.D.)
562	92613		BOLT -(Governor Lever)
592	231082		NUT -(Governor Control)
614	93306		PIN, Cotter
615	93307		RETAINER, Governor Shaft
616	231077		CRANK, Governor -(1/4 Diameter)
635	66538		BOOT, Spark Plug
665	298858		MINDER, Oil
741	261696		GEAR, TIMING -(Plain Bearing)
741	262060		GEAR-TIMING -(Ball Bearing)
842	270920		SEAL, O-Ring -(Dipstick Tube) (Oil Fill)
847A	494417		DIPSTICK/TUBE ASSEMBLY -Used After Code Date 90102800
847A	493367		DIPSTICK/TUBE ASSEMBLY -Used Before Code Date 90102900
847	493955		DIPSTICK/TUBE ASSEMBLY
869	211787		SEAT, Valve -(Intake)
870	211172		SEAT, Valve -(Intake)
871	262001		BUSHING-VALVE GUIDE -(Exhaust)
871	63709		BUSHING, Valve Guide -(Intake)
1019	491100		KIT, Label

### Footnotes:

To Replace Crankshaft Gear Pin, Order Part No. 230978



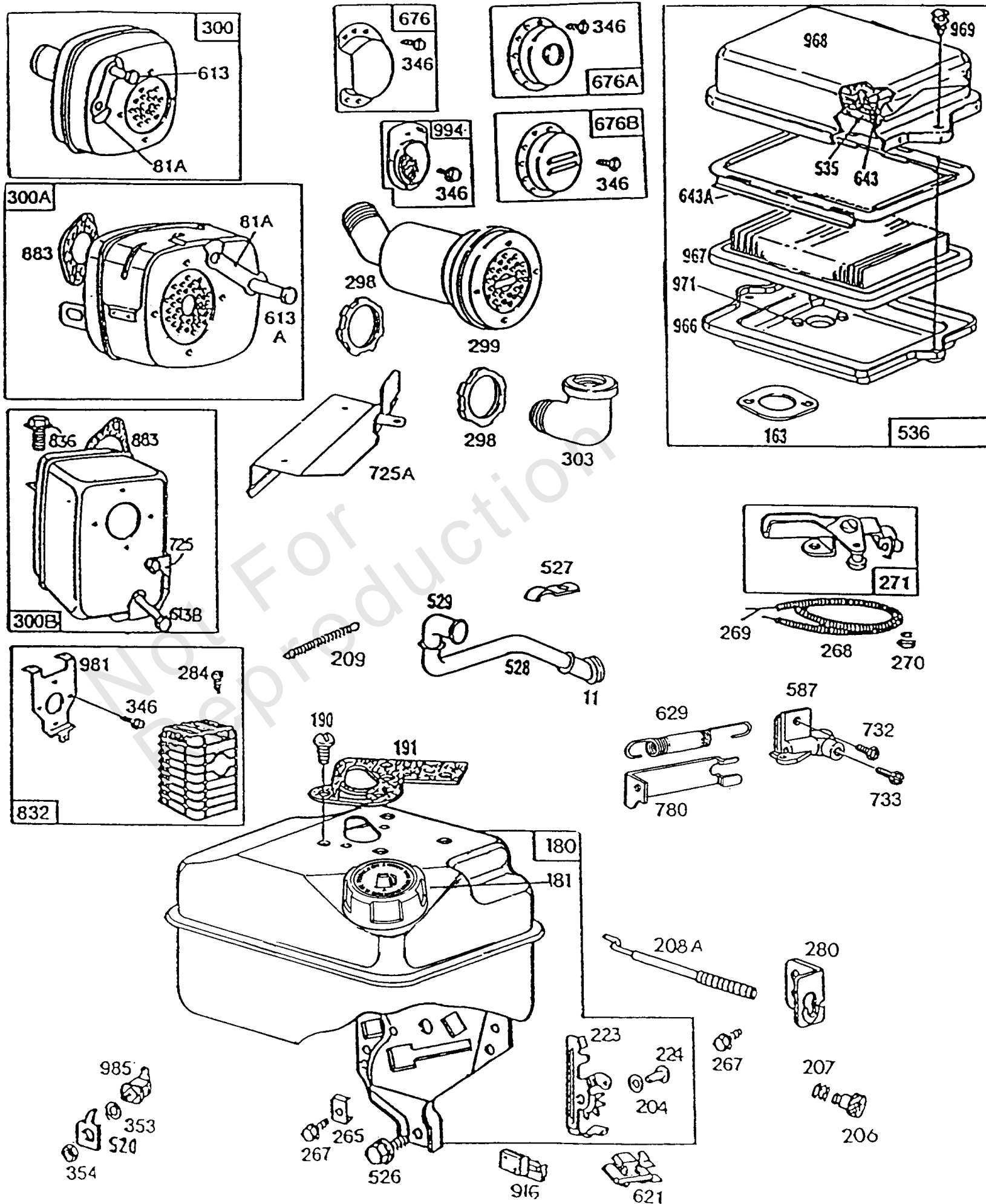
Reference Numbers									
69	310	423	548	664	727	748	783	785	801
Washer	Motor Bolt	Sem. Screw	Washer	Mtg. Screw	Drive Hsg.	Mtg. Screw	Pinion	Gasket	Mtg. Head
93676	93648	93654	93649	93358	390543	93534	230972	270718	390544

Reference Number	309	513	544	802	803
	<b>Motor</b>	<b>Drive Assembly</b>	<b>Armature Assembly</b>	<b>End Cap Assembly Commutator</b>	<b>Housing Assembly</b>
<b>Starter Motor Mfr.</b>					
<b>American</b>					
<b>Bosch</b>					
12V	390551*	391029	390467	390465	390468
120V	393842**	391029	-	-	-

\*Uses #92813 Lockwasher and # 231082 Hex Nut  
 \*\*Includes Entire Motor and Drive Assembly

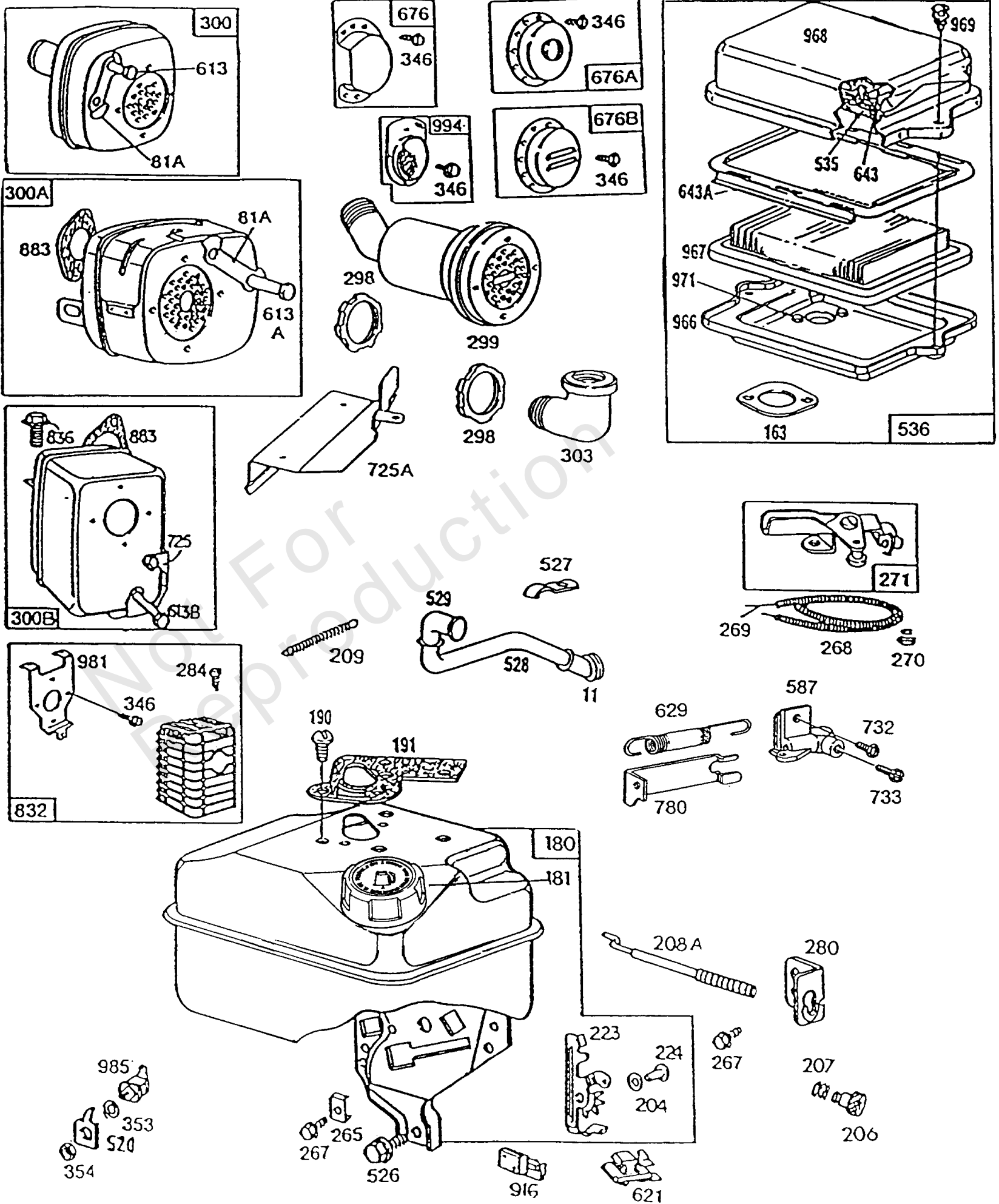
## Electric Starter

REF NO	PART NO	QTY	DESCRIPTION
69	93676		WASHER -(Spring)
74	93490		SCREW -(Rotating Screen)
74	93808		SCREW
189	90366		WASHER
309	390551		MOTOR, Starter -(American Bosch 12V) Uses #92813 Lockwasher and #231082 Hex Nut
309	393842		MOTOR, Starter -(American Bosch 110V) Includes Entire Motor and Drive Assembly
310	93648		SCREW
423	93654		SCREW
513	391029		DRIVE, Starter -(American Bosch 110V)
544	390467		ARMATURE, Starter -(American Bosch 12V)
548	93649		WASHER
664	93358		SCREW
727	390543		COVER, Starter Drive -(Metal Flywheel Ring Gear)
735	390900		CORD, Starter -(Includes Switch)
748	93534		SCREW
783	230972		GEAR, Pinion -Parts Common to the 12V and 110V Motors
785	270718		GASKET, Starter Cover
801	390544		CAP, Drive
802	390465		CAP, End -(American Bosch 12V)
803	390468		HOUSING, Starter -(American Bosch 12V)



## Mufflers, Deflectors, Fuel, A/C

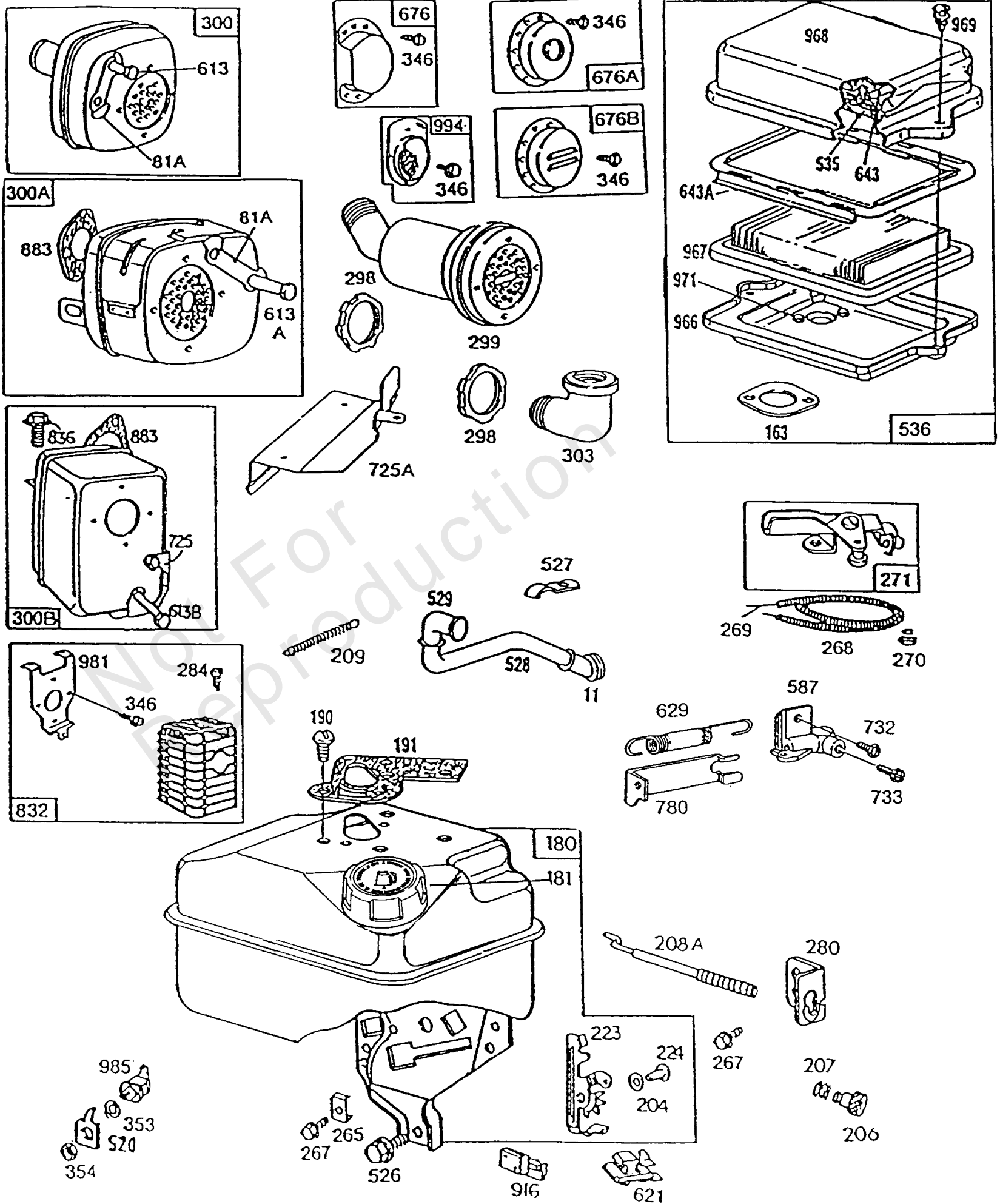
REF NO	PART NO	QTY	DESCRIPTION
11	66578		TUBE, Breather
81A	222263		LOCK, Muffler Screw -(3/8 Diameter Bolt Holes)
163	271935		GASKET, Air Cleaner
180	491424		TANK, Fuel -(1 Quart) Uses: 491266 Bracket-Control
180	491424		TANK, Fuel -(1 Quart) Uses: 495114 Bracket-Control
180	492927		TANK, Fuel
181	490075		CAP, Fuel Tank
190	94094		SCREW
191	271928		GASKET, Fuel Tank -Included in Gasket Set-Part No. 397145. Included in Carburetor Overhaul Kit- Part No. 494624
204	222962		BUSHING, Lever
206	231266		NUT, Governor Adjusting -(6-32)
207	26855		SPRING, Governor Link
208A	262323		ROD, Governor Control
209	262282		SPRING, Governor
223	223455		LEVER, Governor Control
224	93491		RIVET
265	221535		CLAMP, Casing -(Stamped Steel)
267	93496		SCREW -(10-32 X 5/8)
268	66986		CASING, Control Wire -(Cut To Required Length)
269	26099		WIRE, Control -(Cut To Required Length) If Longer Wire is Needed, Specify Length in Inches; if Shorter Wire is Needed, Order No. 26099 and Cut to Required Length.
270	63426		NUT -(Control Wire Casing)
271	290568		LEVER, Control
280	223798		BRACKET, Control
284	93572		SCREW -(10-32 X 3/8)
298	261409		LOCKNUT -(Muffler and Elbow)
299	393368		MUFFLER -(20 Degree )
300A	390918		MUFFLER -(Lo Tone)
300A	391313		MUFFLER -Uses: 223717 Spacer-Muffler Bracket 391232 Guard-Muffler
300A	391313		MUFFLER -Uses: 222361 Brace-Muffler 94153 Screw-Hex. Hd.
300A	222379		RETAINER, Muffler Guard -Used Before Code Date 88090300
300A	93415		SCREW -(1/4-20 X 3/4) -Used Before Code Date 88090300
300B	396001		MUFFLER -(Lo Tone)
300A	94186		SCREW -(Tapping)
300A	391313		MUFFLER -Uses: 222361 Brace-Muffler





## Mufflers, Deflectors, Fuel, A/C

REF NO	PART NO	QTY	DESCRIPTION
300A	94153		SCREW -Used After Code Date 88090200
300	393615		MUFFLER -(Lo Tone) Parts Furnished by Equipment Manufacturer
303	91464		ELBOW, Exhaust -(90 Degree Street)
303	94089		ELBOW, Exhaust -(45 Degree Street)
346	93705		SCREW -(8-32 X 3/8)
353	92791		WASHER
354	90576		NUT -(Ground Terminal)
520	93722		TERMINAL, Ground
526	94409		SCREW -(Fuel Tank)
527	223786		CLAMP, Tube
528	231550		TUBE, Breather
529	67838		GROMMET
535	491435		FILTER, Pre Cleaner -(Pre-Cleaner)
536	494279		CLEANER-AIR
587	213474		CLAMP, Speed Control
613B	94054		SCREW -(Muffler)
613A	94042		SCREW -(Muffler)
613	93935		SCREW -(Muffler)
621	396847		SWITCH, Stop
629	261137		SPRING, Throttle Return -(Throttle Return)
643A	280726		RETAINER, Air Filter
643	280737		SUPPORT, Foam Element
676A	395700		DEFLECTOR, Muffler -(Direct Outlet)
676	393757		DEFLECTOR, Muffler -(Side Outlet)
725A	223867		SHIELD, Heat
725	223303		SHIELD, Heat
732	94414		SCREW
733	94415		SCREW
780	224085		ANCHOR, Spring
832	490534		GUARD, Muffler
836	93559		SCREW -(Tank) (Fuel Tank)
883	270918		GASKET, Exhaust -Included in Gasket Set-Part No. 397145
916	280321		RACK, Governor Gear -(Remote and Manual Choke)
966	490074		BASE, Air Cleaner
967	491588		FILTER, A/C Cartridge
968	223765		COVER, Air Cleaner
969	490073		SCREW -(Air Cleaner)
971	94018		SCREW



## ***Mufflers, Deflectors, Fuel, A/C***

---

<b>REF NO</b>	<b>PART NO</b>	<b>QTY</b>	<b>DESCRIPTION</b>
981	223373		BRACKET, Muffler Guard
985	398525		INSULATOR
994	399541		ARRESTOR, Spark

---

Not For Reproduction

## Replacement Engine - Europe, Middle East & Africa

REF NO	PART NO	QTY	DESCRIPTION
	130G320017H5CC7001		Replacement Engine
	-----		Top No-Load Speed: 3600
	-----		Service Note: CHECK NEW ENGINE DIMENSIONS WILL FIT EQUIPMENT

Not For Reproduction

## Replacement Engine - US & Canada

REF NO	PART NO	QTY	DESCRIPTION
	1263321036	1	Replacement Engine
	-----		Top No-Load Speed: 3600 -Trim: ALL
	-----		Service Note: Replacement engine listed is not available in the State of California. Repair with individual parts.
	-----		Service Note: If the replacement engine supersedes to or is a Model 120000 series engine, refer to the illustrations located after the conversion data for this model series. the overall dimensions that differ, are shown in the illustrations.
	-----		Service Note: If after making a visual inspection and it is determined the Model 120000 series engine cannot be used because of equipment interference, the original engine should be repaired with individual parts.
	-----		Service Note: For all Go-Karts use only a Model 136200 series engine as a replacement, regardless of the original Model.

Not For Reproduction

