

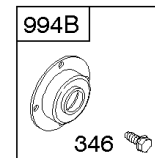
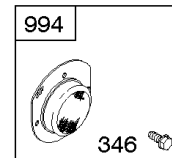
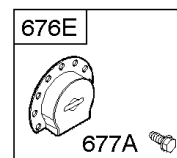
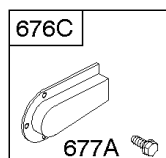
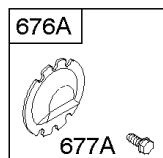
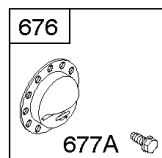
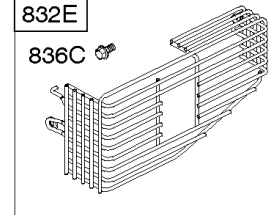
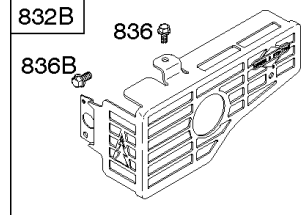
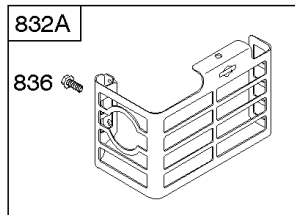
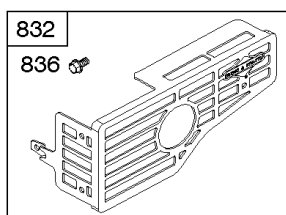
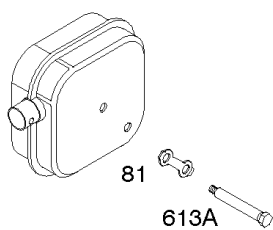
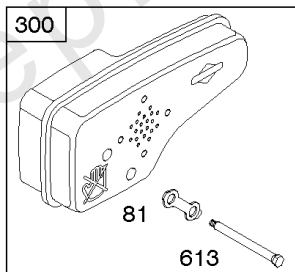
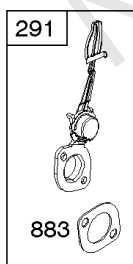
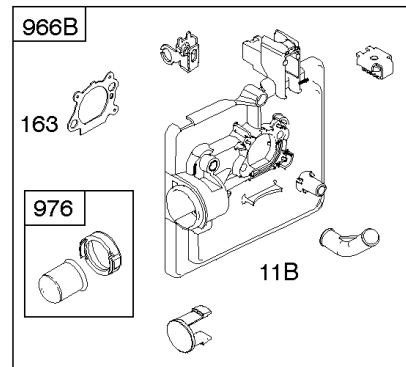
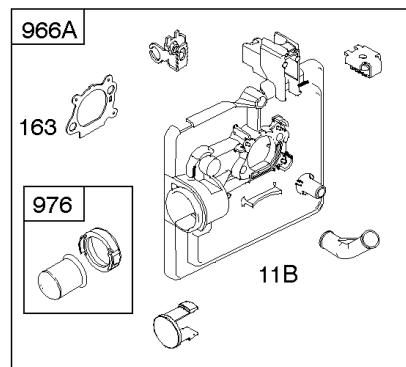
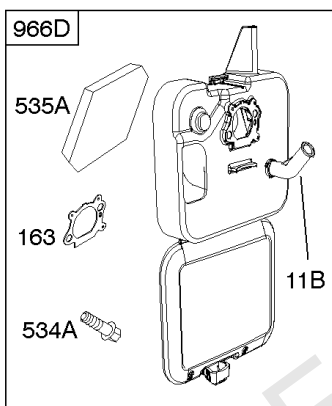
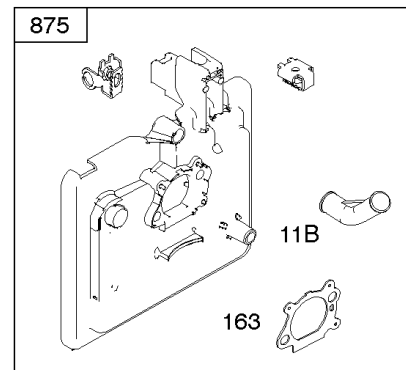
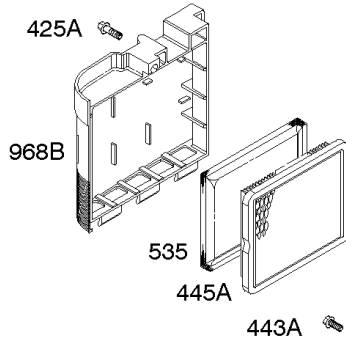
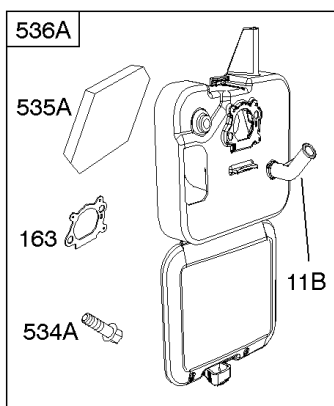


Parts Manual

Mfg. No: 126T02-0675-B2

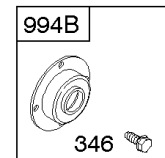
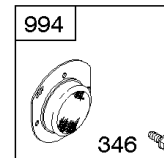
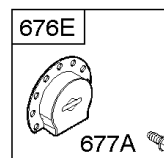
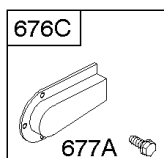
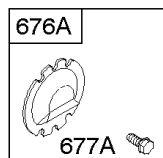
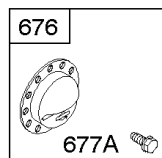
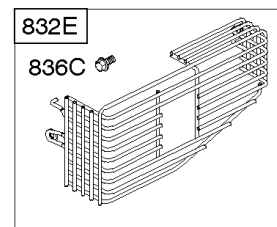
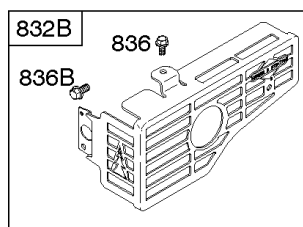
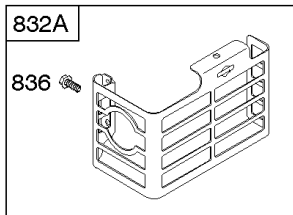
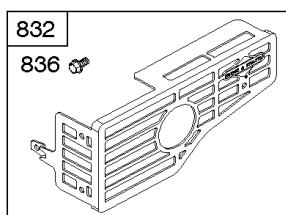
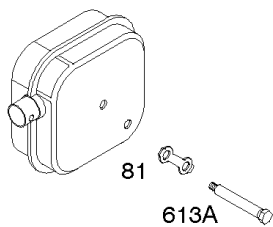
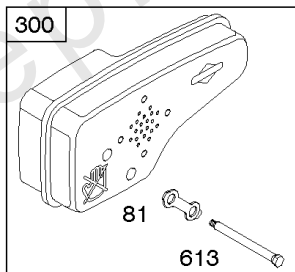
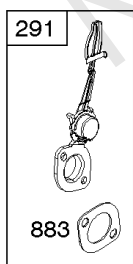
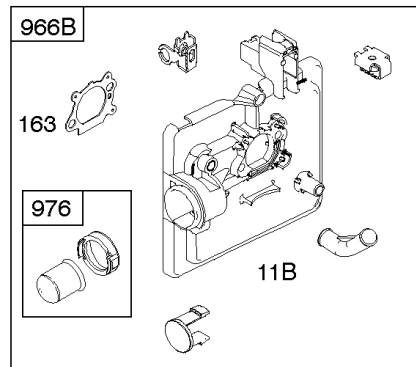
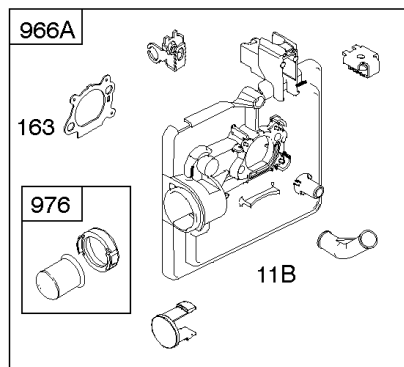
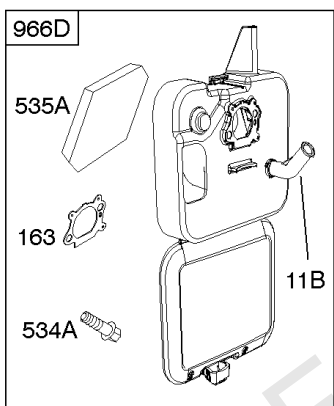
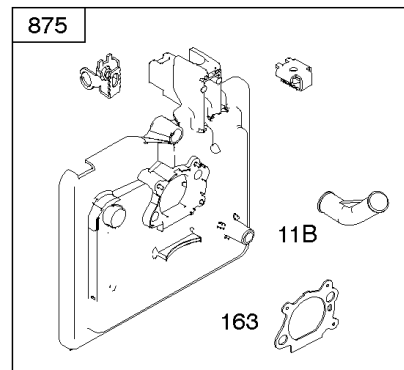
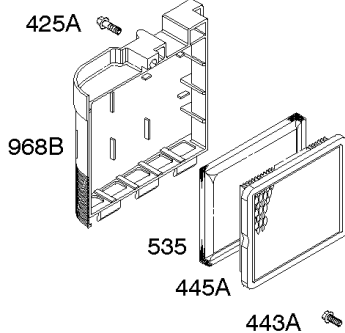
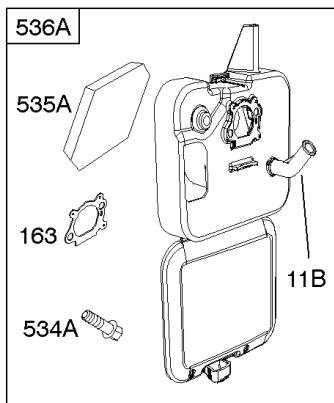
Model Components	Page
Air Cleaner, Exhaust System.....	4
Blower Housing, Flywheel, Rewind Starter.....	8
Camshaft, Crankshaft, Cylinder, Engine Sump, Lubrication, Piston Group, Valves.....	12
Carburetor.....	18
Controls, Electrical, Flywheel Brake, Governor Spring.....	22
Electric Starter, Gasket Kits.....	26
Fuel Supply, Ignition.....	30
Replacement Engine - US & Canada.....	32
Shrouds.....	33

Not For
Reproduction



Air Cleaner, Exhaust System

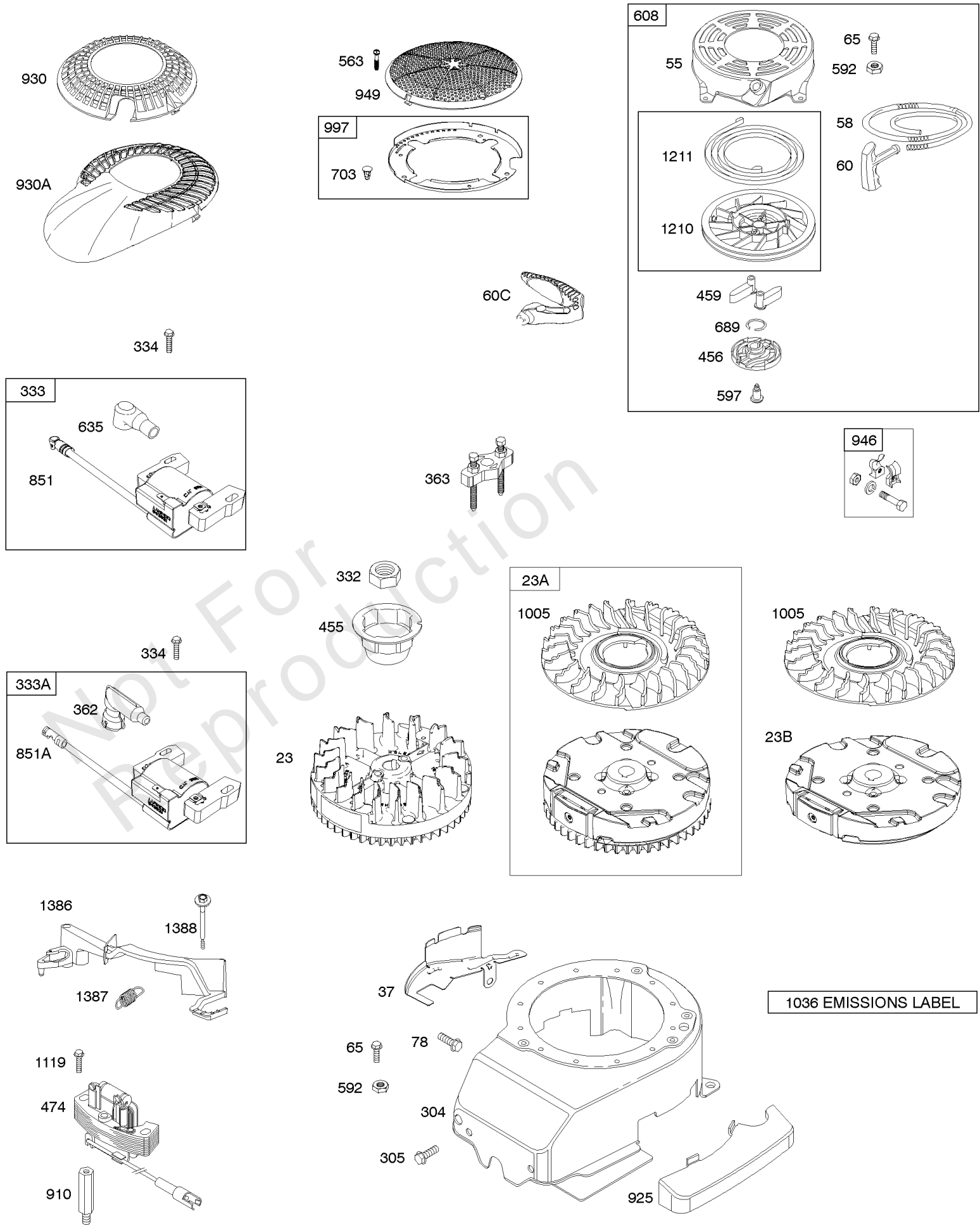
REF NO	PART NO	QTY	DESCRIPTION
11B	691923		TUBE, Breather
81	691740		LOCK, Muffler Screw
163	795629		GASKET-AIR CLEANER -(Air Cleaner)
291	593208		THERMOSTAT
300	593581		MUFFLER -(Ready Start System) -Used After Code Date 13122200
300	790828		MUFFLER -Used Before Code Date 13122300
346	690661		SCREW -(Spark Arrestor)
425A	690670		SCREW -(Air Cleaner Cover)
443A	692523		SCREW -(Air Cleaner Primer Base)
445A	491588S		FILTER, A/C Cartridge
534A	798294		SCREW -(Air Cleaner)
535	493537S		FILTER, Air Cleaner Foam
536A	798293		CLEANER, Air
613	691340		SCREW -(Muffler) (1/4-20 x 2.75 Inches Total Length, 2.25 Inch Shoulder Length)
613	790833		SCREW -(Muffler) (1/4-20 x 2.75 Inches Total Length, 2.08 Inch Shoulder Length)
613	792678		SCREW -(Muffler) (1/4-20 x 3.39 Inches Total Length, 2.71 Inch Shoulder Length)
613A	691653		SCREW -(Muffler) (1/4-20 x 3.39 Inches Total Length, 2.88 Inch Shoulder Length)
676	396548		DEFLECTOR, Muffler
676A	393756		DEFLECTOR, Muffler -(Side Outlet)
676C	493871		DEFLECTOR, Muffler
676E	393760		DEFLECTOR, Muffler
677	690661		SCREW -(Muffler Deflector) (Thread Forming)
677A	593440		SCREW -(Muffler Deflector) (Self-Drilling & Tapping)
832	593875		GUARD, Muffler
832A	691424		MUFFLER
832B	497683		GUARD, Muffler
832E	793568		MUFFLER
836	690664		SCREW -(Muffler Guard)
836B	691147		SCREW -(Muffler Guard)
836C	790745		SCREW -(Muffler Guard)
883	691881		GASKET, Exhaust
966A	593942		BASE, Air Cleaner -(Primer) (2 Point Mounting) -Used After Code Date 14012600
966D	593945		BASE, Air Cleaner -(Primer) -Used After Code Date 14012600
966B	795259		BASE-AIR CLEANER PRIM -(Primer) (3 point mounting) -Used Before Code Date 14012700



Air Cleaner, Exhaust System

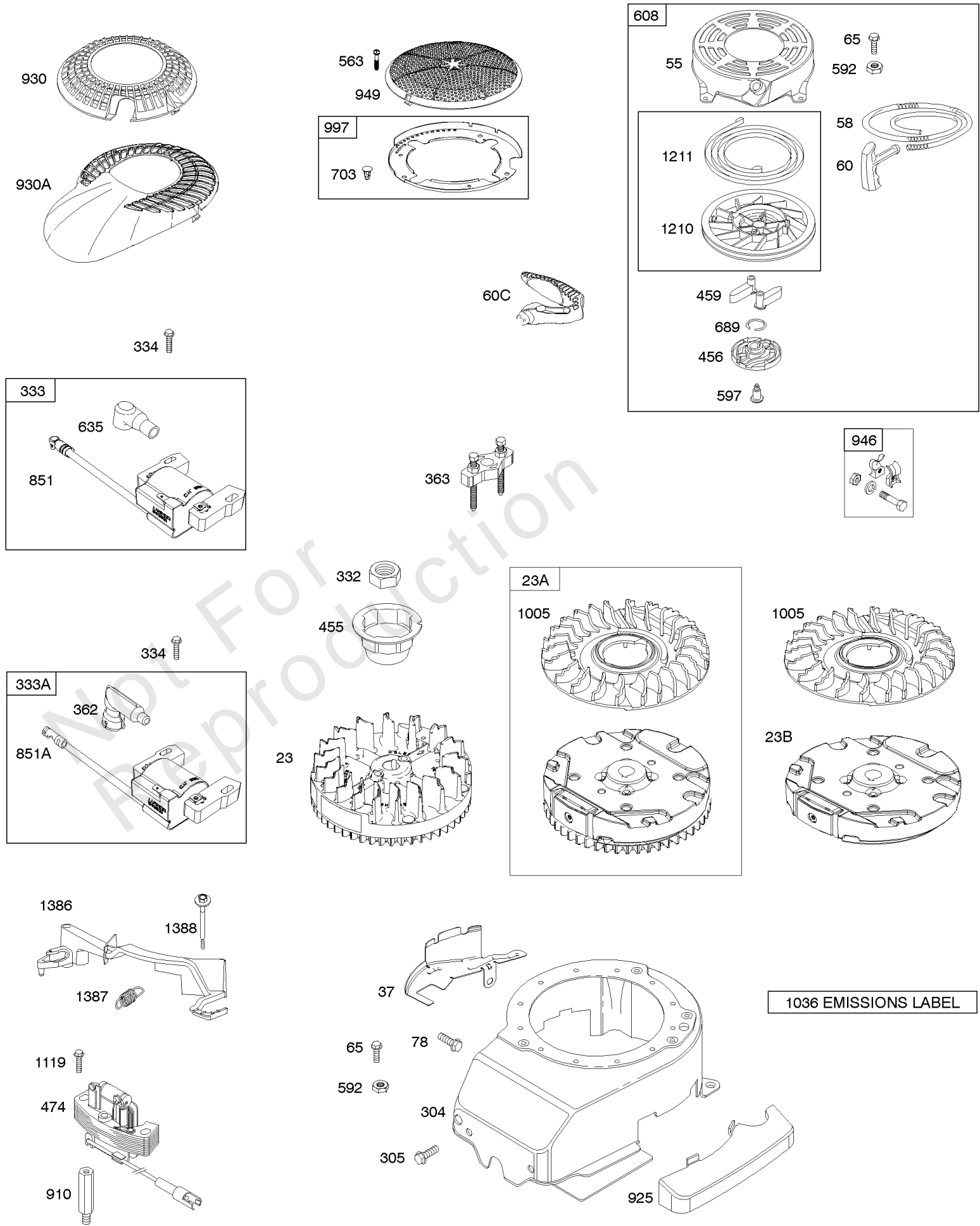
REF NO	PART NO	QTY	DESCRIPTION
968B	692298		COVER, Air Cleaner
976	694395		PRIMER, Carburetor
994	398067		ARRESTOR-SPARK
994B	792245		ARRESTOR, Spark

Not For Reproduction



Blower Housing, Flywheel, Rewind Starter

REF NO	PART NO	QTY	DESCRIPTION
23	691987		FLYWHEEL
37	793756		GUARD-FLYWHEEL
55	691421		HOUSING, Rewind Starter
58	697316		ROPE, Starter -(Cut To Required Length)
60	281434S		GRIP, Starter Rope
60C	799716		GRIP, Starter Rope
65	690837		SCREW -(Rewind Starter)
78	691108		SCREW -(Flywheel Guard)
304	790826		HOUSING, Blower
305	691108		SCREW -(Blower Housing)
332	690662		NUT -(Flywheel)
333	590454		ARMATURE-MAGNETO -Also Order Ref #1386 Air Vane #790848
334	691061		SCREW -(Magneto Armature)
362	793351		SHIELD-SPARK PLUG
363	19069		PULLER, Flywheel
455	791960		CUP, Flywheel
456	692299		PLATE-PAWL FRICTION
459	281505S		PAWL-RATCHET
474	691991		ALTERNATOR
563	691138		SCREW -(Debris Screen Guard)
592	690800		NUT -(Rewind Starter)
597	691696		SCREW -(Pawl Friction Plate)
608	497680		STARTER, Rewind
635	66538S		BOOT, Spark PLug
689	691855		SPRING-FRICTION
703	696309		CLIP
851	493880S		TERMINAL-SPARK PLUG
851A	692424		TERMINAL, Spark Plug
910	691094		STUD -(Alternator)
925	795403		COVER-LINKAGE
930	691919		GUARD, Rewind
930A	691345		GUARD, Rewind
946	691738		STOP, Rope
949	696306		GUARD, Debris Screen
997	696310		SHIELD, Debris
1005	691346		FAN, Flywheel
1036	-----		Label-Emissions -(Available From A Briggs & Stratton Authorized Dealer)
1119	692979		SCREW -(Alternator)
1210	498144		PULLEY/SPRING ASSY -(Pulley)
1211	498144		PULLEY/SPRING ASSY -(Spring)



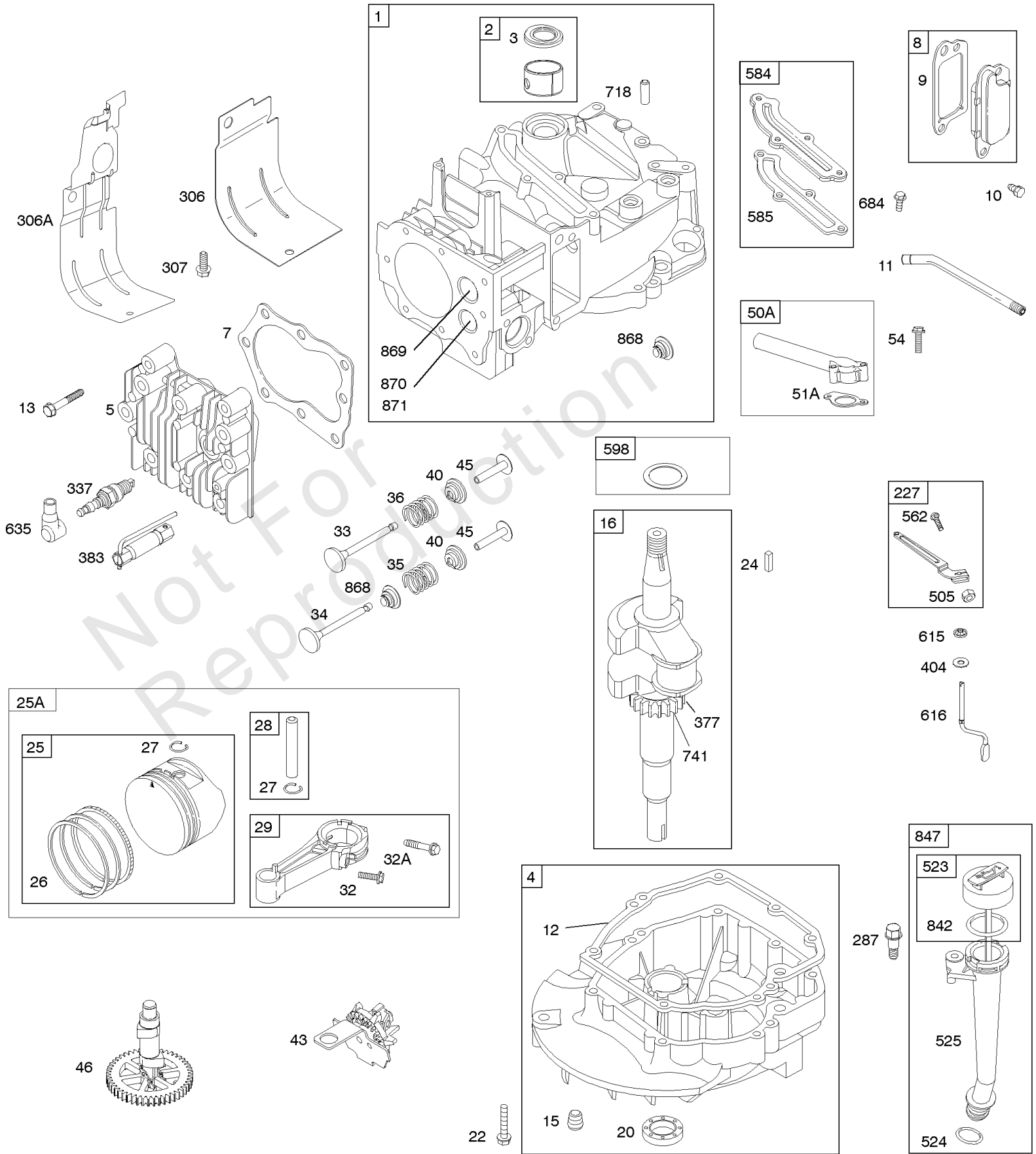
Blower Housing, Flywheel, Rewind Starter

REF NO	PART NO	QTY	DESCRIPTION
1386	790848		VANE, Air -Autochoke System - Required For Use With Replacement Armature Ref#333,590454
1387	790849		SPRING, Air Vane
1388	790850		SCREW -(Air Vane) (Auto Choke System)

Not For Reproduction

1319 WARNING LABEL

1330 REPAIR MANUAL

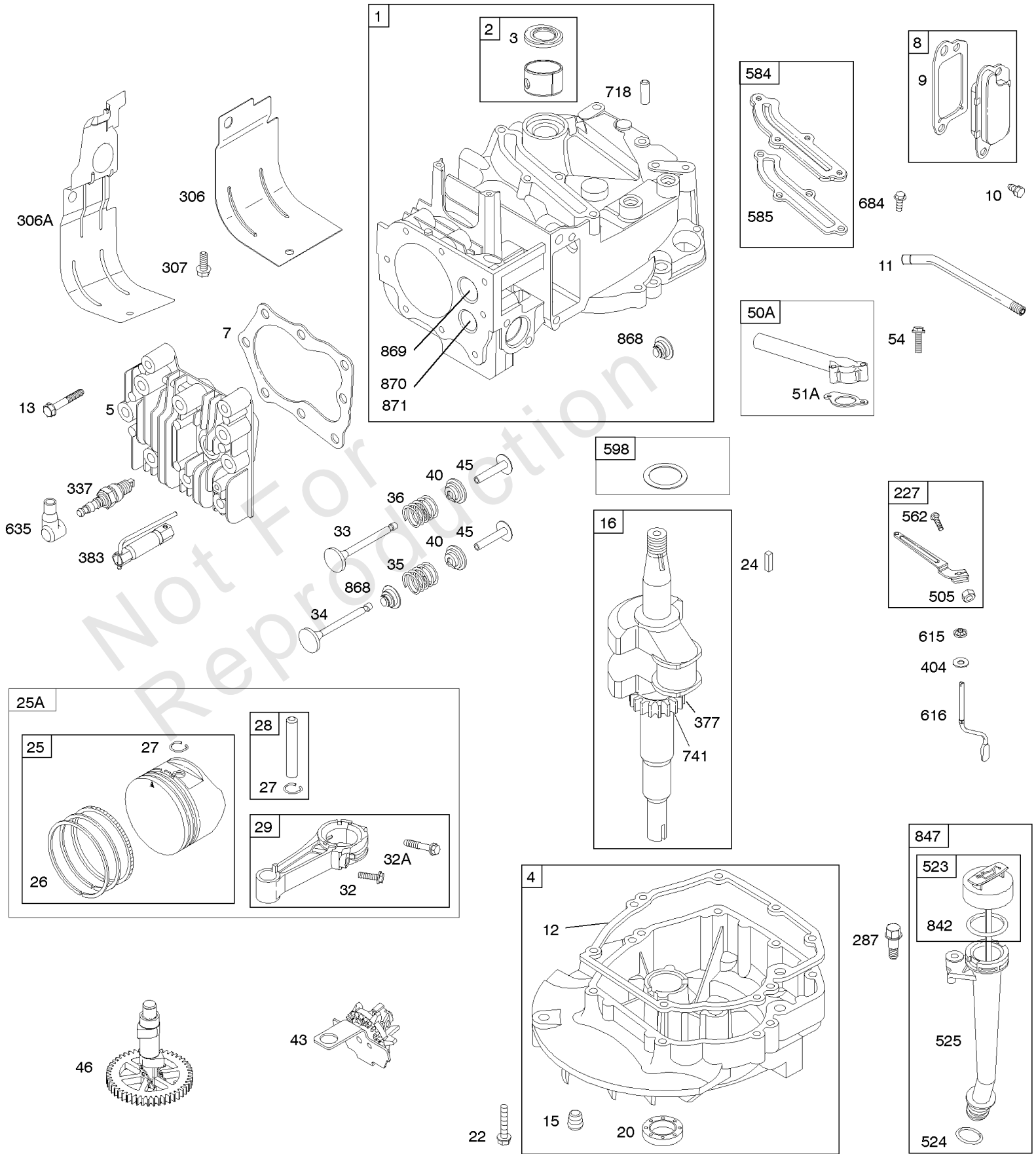


Camshaft, Crankshaft, Cylinder, Engine Sump, Lubrication, Piston Group, Valves

REF NO	PART NO	QTY	DESCRIPTION
1	592645		CYLINDER ASSEMBLY
2	796961		KIT, Bushing/Seal -(Magneto Side)
3	299819S		SEAL, Oil -(Magneto Side)
4	493279		SUMP, Engine
5	594989		HEAD-CYLINDER
7	692249		GASKET, Cylinder Head -Used Before Code Date 11070100
7	799875		GASKET, Cylinder Head -Used After Code Date 11063000
8	590395		BREATHER ASSEMBLY
9	699833		GASKET-BREATHER
10	691125		SCREW -(Breather Assembly)
11	691781		TUBE-BREATHER
12	692232		GASKET, Crankcase
13	690912		SCREW -(Cylinder Head) -Used Before Code Date 11070100
13	590422		SCREW -(Cylinder Head) -Used After Code Date 11063000
15	690946		PLUG, Oil Drain -(3/8"-18 NPTF-External 7/16" Sq)
15	691680		PLUG, Oil Drain -(3/8"-18 NPTF - Internal 3/8" Sq)
16	797017		CRANKSHAFT
20	399781S		SEAL, Oil -(PTO Side)
22	691092		SCREW -(Crankcase Cover/Sump)
24	222698S		KEY, Flywheel
25	799064		PISTON ASSEMBLY -(.020 Oversize) -Used Before Code Date 09041700
25	590404		PISTON ASSEMBLY -(Standard) -Used After Code Date 07090300
25	590405		PISTON ASSEMBLY -(.020 Oversize) -Used After Code Date 09041600
25	799063		PISTON ASSEMBLY -(Standard) -Used Before Code Date 07090400
25A	590406		PISTON ASSEMBLY -(Standard) -Used Before Code Date 09041700
26	797304		SET, Ring -(Replacement, See Ref #25, 590404) -Used After Code Date 09041600 -Used Before Code Date 11070100
26	797305		SET, Ring -(.020 Oversize) -Used After Code Date 09041600 -Used Before Code Date 11070100
26	590402		SET, Ring -(Standard) -Used After Code Date 11063000
26	590403		SET, Ring -(.020 Oversize) -Used After Code Date 11063000

1319 WARNING LABEL

1330 REPAIR MANUAL

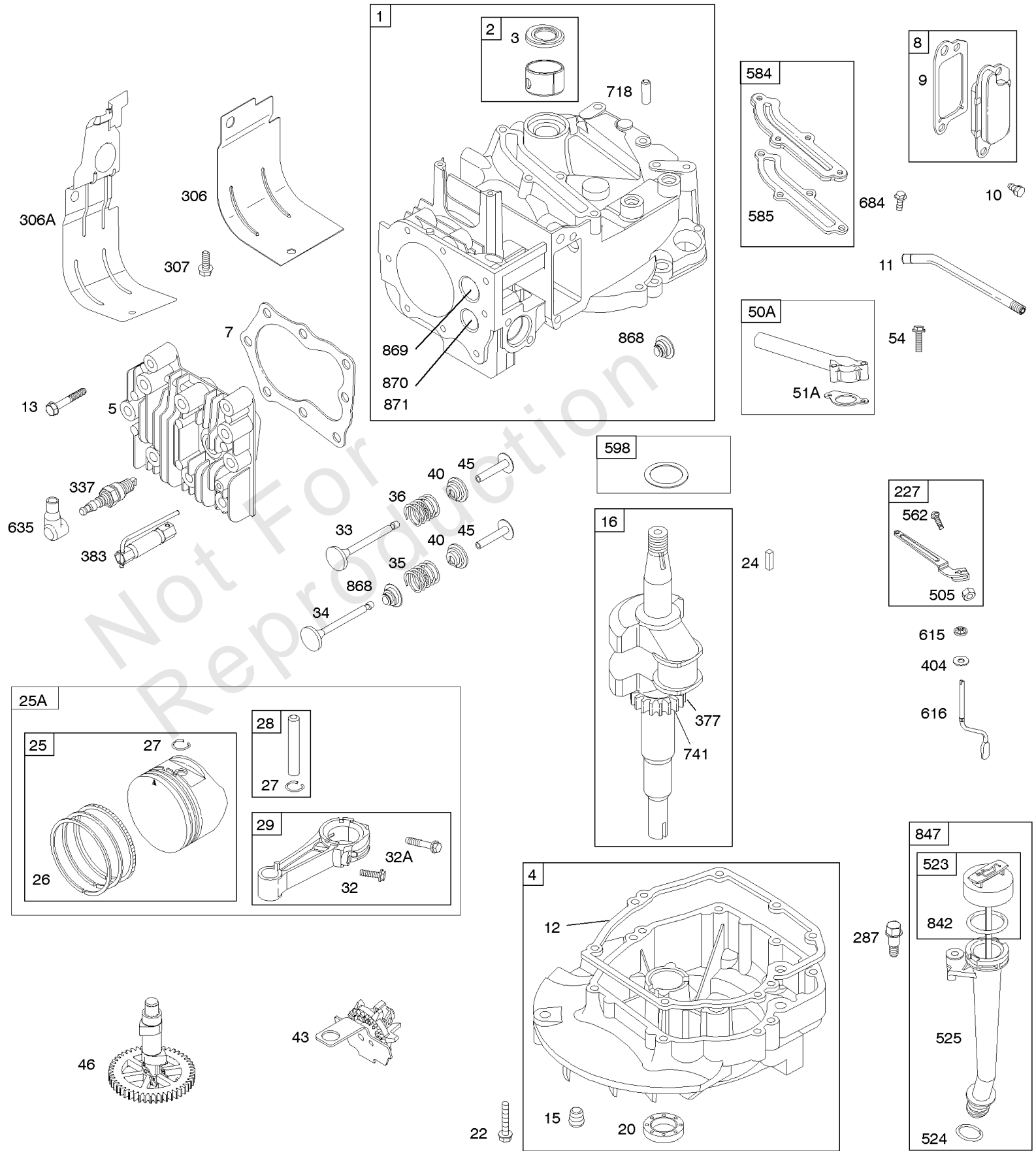


Camshaft, Crankshaft, Cylinder, Engine Sump, Lubrication, Piston Group, Valves

REF NO	PART NO	QTY	DESCRIPTION
26	791098		SET, Ring -(Standard) -Used Before Code Date 07090400
26	791324		SET, Ring -(.020 Oversize) -Used Before Code Date 07090400
26	795431		RING SET -(Standard) -Used After Code Date 07090300 -Used Before Code Date 09041700
26	795432		SET, Ring -(.020 Oversize) -Used After Code Date 07090300 -Used Before Code Date 09041700
27	691866		LOCK-PISTON PIN -Used Before Code Date 09041700
27	691588		LOCK, Piston Pin -Used After Code Date 09041600
28	499423		PIN-PISTON/STD -(Standard) -Used Before Code Date 09041700
28	298909		PIN, Piston -(Standard) -Used After Code Date 09041600
29	797306		ROD, Connecting -(Standard) -Used After Code Date 09041600
29	499424		ROD, Connecting -(Replacement, See Ref #25A, 590406) -Used Before Code Date 09041700
32	691664		SCREW -(Connecting Rod)
32A	695759		SCREW -(Connecting Rod)
33	590394		VALVE-EXHAUST -Used After Code Date 11063000
34	590393		VALVE-INTAKE -Used After Code Date 11063000
35	691270		SPRING, Valve -(Exhaust) (Intake)
36	691270		SPRING, Valve -(Exhaust)
40	692194		RETAINER, Valve
43	691997		SLINGER, Governor/Oil
45	690548		TAPPET, Valve
46	691449		CAMSHAFT
50A	794305		MANIFOLD, Intake
51A	794306		GASKET, Intake
54	691650		SCREW -(Intake Manifold)
227	690783		LEVER-GOV CONTROL
287	690940		SCREW -(Dipstick Tube)
306	690450		SHIELD, Cylinder
306A	790836		SHIELD, Cylinder
307	690345		SCREW -(Breather Assembly) (Cylinder Shield)
337	593941		PLUG, Spark -Used After Code Date 11063000
337	697451		PLUG, Spark -(EMS) -Used Before Code Date 11070100

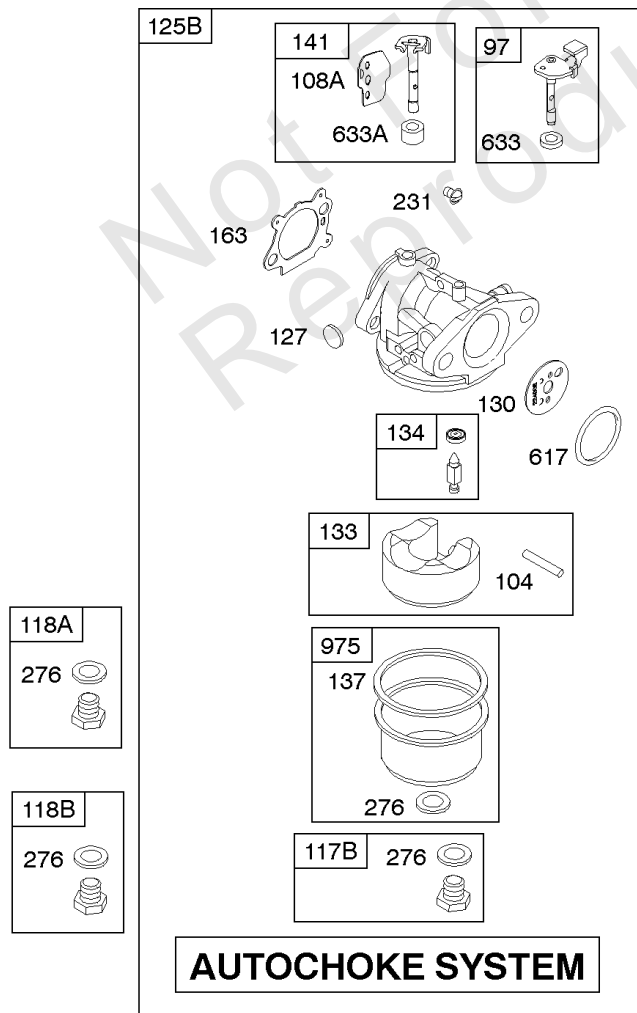
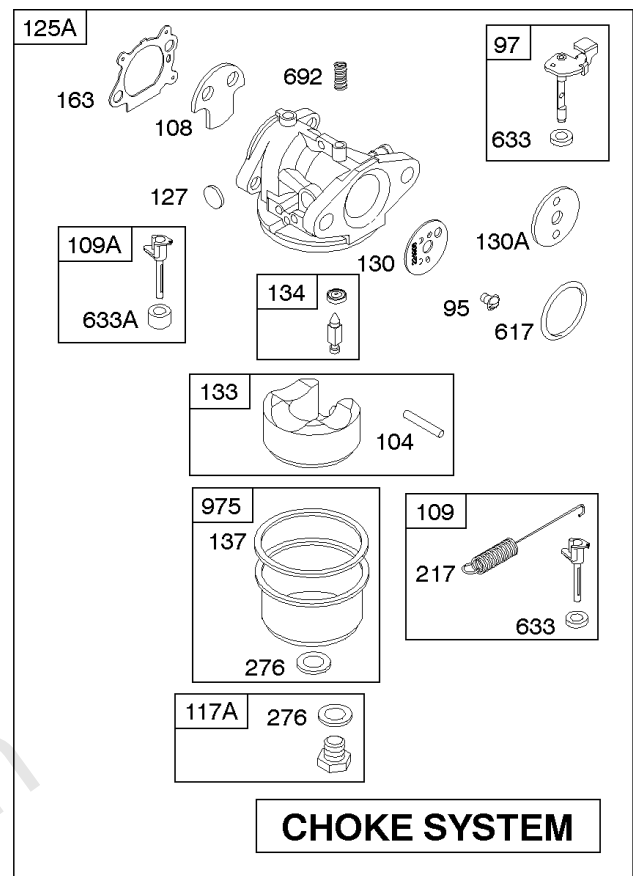
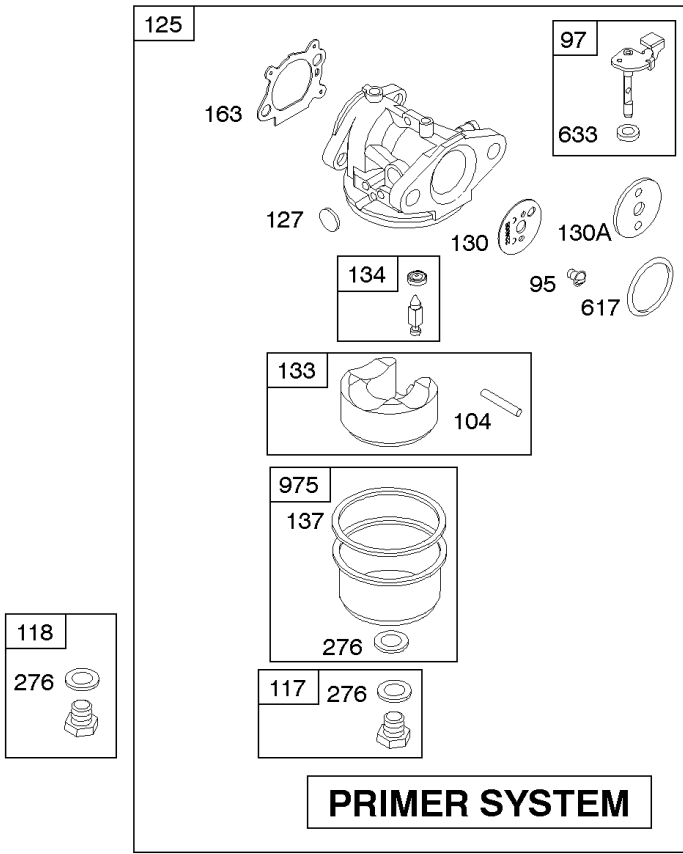
1319 WARNING LABEL

1330 REPAIR MANUAL



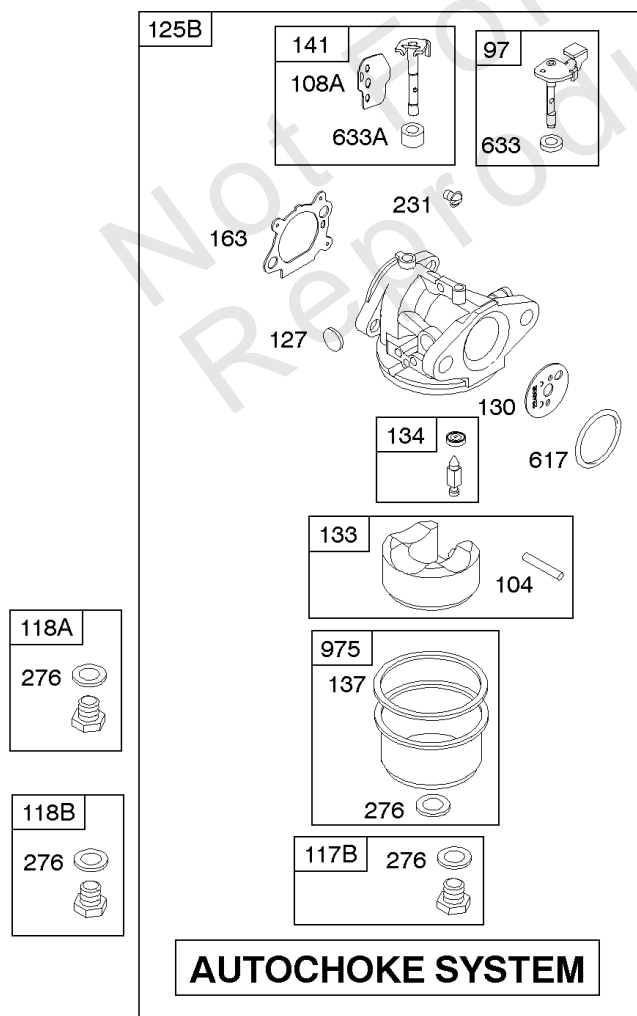
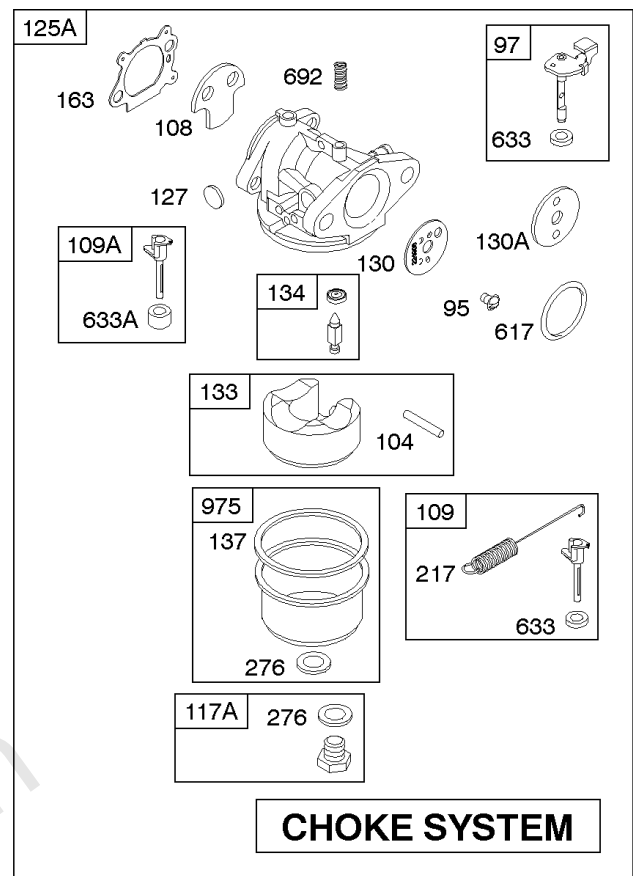
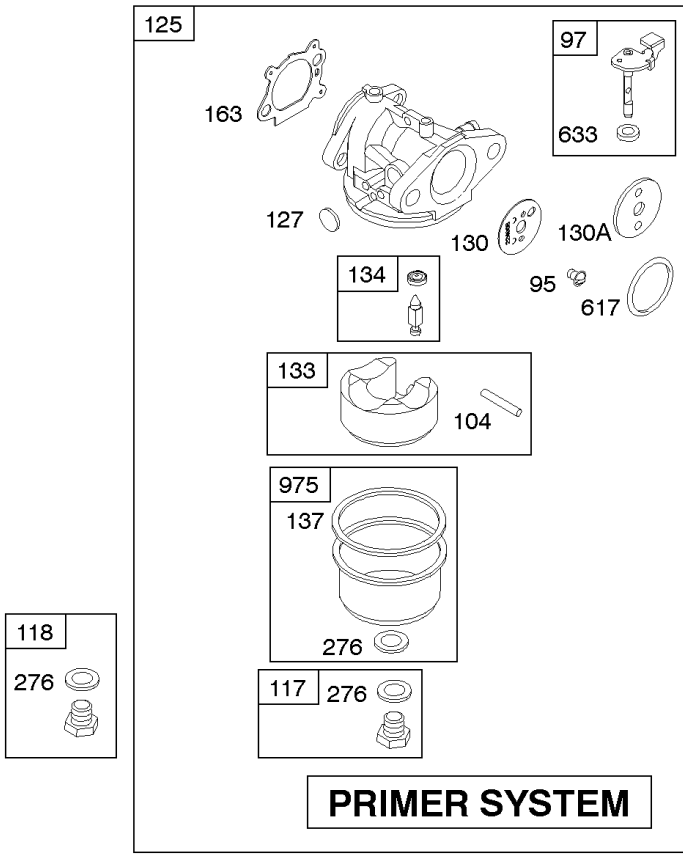
Camshaft, Crankshaft, Cylinder, Engine Sump, Lubrication, Piston Group, Valves

REF NO	PART NO	QTY	DESCRIPTION
337	796112S		PLUG-SPARK -(Resistor) -Used Before Code Date 11070100
377	690979		KEY, Woodruff
383	89838S		WRENCH-SPARK PLUG
404	690272		WASHER -(Governor Crank)
505	691251		NUT -(Governor Control Lever)
523	499621		DIPSTICK
524	692296		SEAL-DIPSTICK TUBE -(Dipstick Tube)
525	495265		TUBE, Dipstick
562	691119		BOLT -(Governor Control Lever)
584	697734		COVER-BREA PASSAGE
585	691879		GASKET-BREA PASSAGE
598	592587		SHIM, End Play -(Crankshaft or Camshaft Bearing) (0.012)
615	690340		RETAINER, Governor Shaft
616	698801		CRANK-GOVERNOR
635	66538S		BOOT, Spark PLug
684	690345		SCREW -(Breather Assembly) (Breather Passage Cover)
718	690959		PIN, Locating
741	797521		GEAR, Timing -(Metal) -Used After Code Date 08021700
741	691830		GEAR-TIMING -(Uses Woodruff Key)
741	790345		GEAR, Timing -(Use Without Woodruff Key) -Used Before Code Date 07100100
741	794388		GEAR, Timing -(Use Without Woodruff Key) -Used After Code Date 07093000 -Used Before Code Date 08021800
842	691031		SEAL, O-Ring -(Dipstick Tube)
847	692047		DIPSTICK/TUBE ASSY
868	697338		SEAL, Valve -Used Before Code Date 11070100
868	590410		SEAL, Valve -Used After Code Date 11063000
869	691155		SEAT, Valve -(Intake)
870	690380		SEAT, Valve -(Exhaust)
871	262001		BUSHING-VALVE GUIDE -(Exhaust) -Used Before Code Date 11070100
871	590409		BUSHING, Valve Guide -(Intake and Exhaust) -Used After Code Date 11063000
871	63709		BUSHING, Valve Guide -(Intake) -Used Before Code Date 11070100
1319	794467		LABEL, Warning
1330	270962		REP MAN-1 CYL L-HD



Carburetor

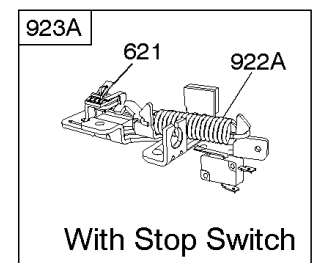
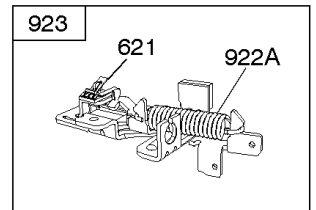
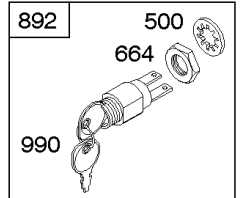
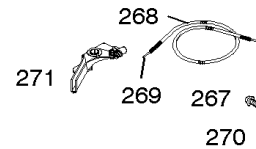
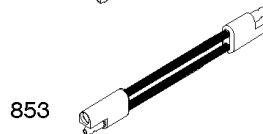
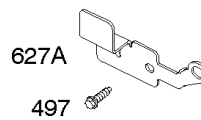
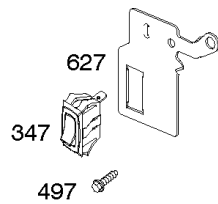
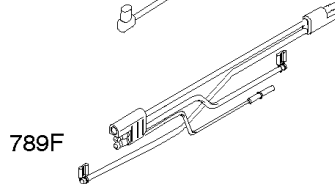
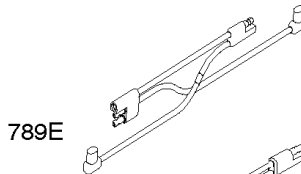
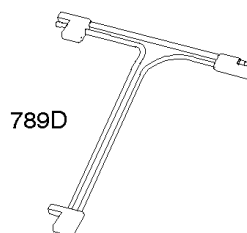
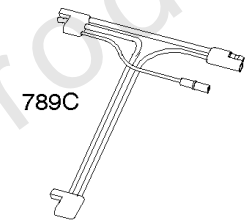
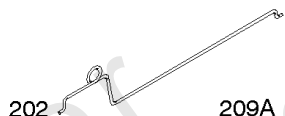
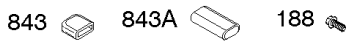
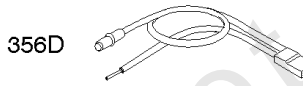
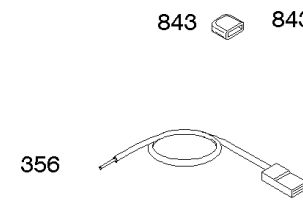
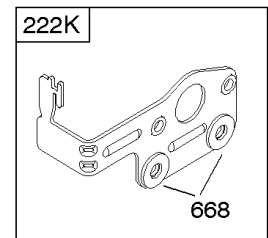
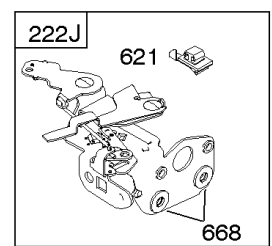
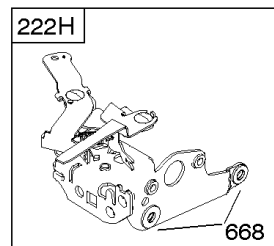
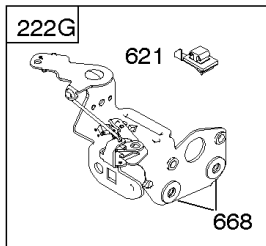
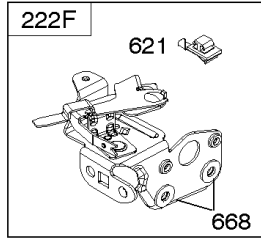
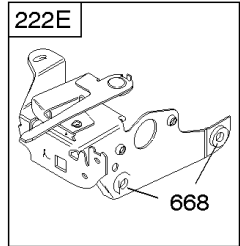
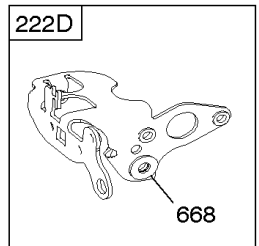
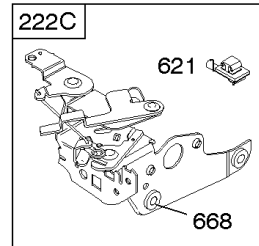
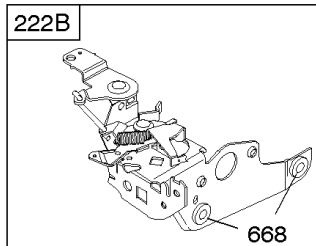
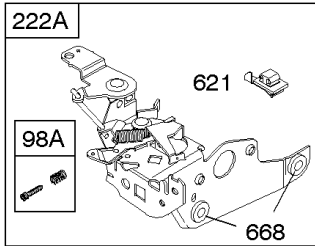
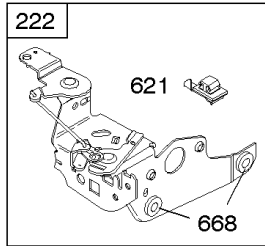
REF NO	PART NO	QTY	DESCRIPTION
95	691636		SCREW -(Throttle Valve)
97	493267		SHAFT-THROTTLE -(Metal)
97	696565		SHAFT, Throttle -(Plastic)
104	797622		PIN-FLOAT HINGE
108	691182		VALVE-CHOKE
108A	795935		VALVE, Choke -Used After Code Date 08031200
108A	790844		VALVE, Choke -Used Before Code Date 08031300
109	494218		KIT, Choke Shaft
109A	498593		SHAFT, Choke
117	498978		JET, Main -(Standard)
117A	498981		JET, Main -(Standard)
117B	498977		JET, Main -(Standard) -Used After Code Date 08061900
117B	697355		JET, Main -(Standard) -Used Before Code Date 07020700
117B	691428		JET, Main -(Standard) -Used After Code Date 07020600 -Used Before Code Date 08062000
118	798660		JET, Main -(High Altitude)
118A	494870		JET, Main -(High Altitude)
118B	695042		JET, Main -(High Altitude) -Used After Code Date 07020600 -Used Before Code Date 08062000
118B	692677		JET, Main -(High Altitude) -Used Before Code Date 07020700
118B	694250		JET, Main -(High Altitude) -Used After Code Date 08061900
125	799868		CARBURETOR -(Primer)
125A	799869		CARBURETOR -(Choke)
125B	799866		CARBURETOR -(Autochoke System) -Used After Code Date 07020600
125B	799871		CARBURETOR -(Autochoke System) -Used Before Code Date 07020700
127	694468		PLUG, Welch -(Bowl Vent)
130	696564		VALVE, Throttle
130A	691203		VALVE, Throttle
133	398187		FLOAT-CARBURETOR
134	398188		KIT-NEEDLE/SEAT
137	796610		GASKET, Float Bowl -(1/8)



Carburetor

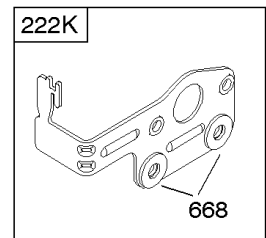
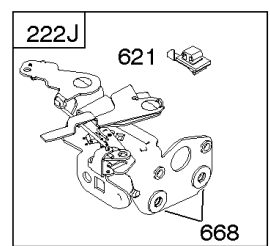
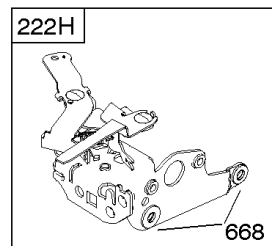
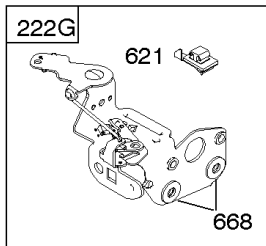
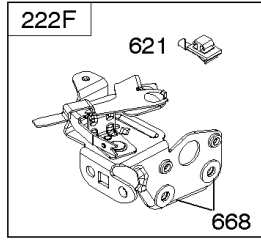
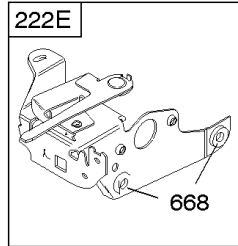
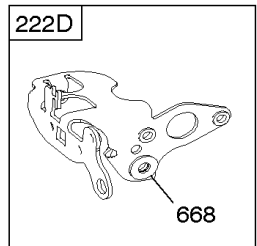
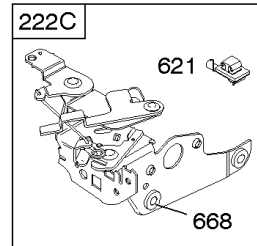
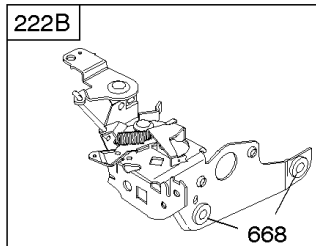
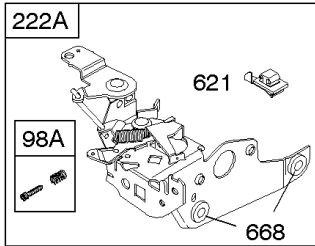
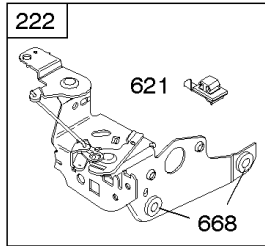
REF NO	PART NO	QTY	DESCRIPTION
137	693981		GASKET-FLOAT BOWL -(1/16)
141	796193		KIT, Choke Shaft -Used After Code Date 08031200
163	795629		GASKET-AIR CLEANER -(Air Cleaner)
217	690354		SPRING, Choke Return
231	691636		SCREW -(Choke Valve)
276	271716		WASHER-SEALING
617	270344S		SEAL, O-Ring -(Intake Manifold)
633	691321		SEAL-CHOKE/THR SHAFT -(Throttle Shaft)
633A	693867		SEAL, Choke/Throttle Shaft
692	590931		SPRING, Detent
975	796611		BOWL, Float

Not For Reproduction

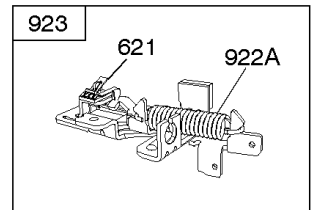
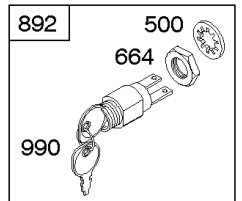
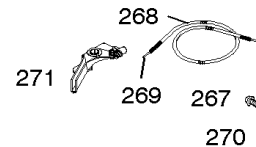
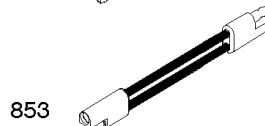
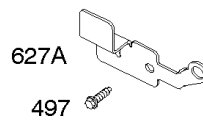
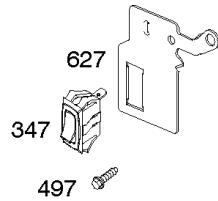
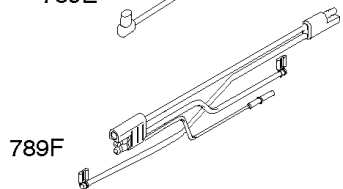
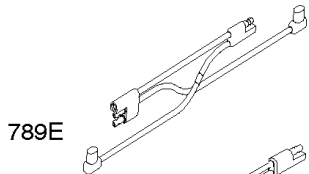
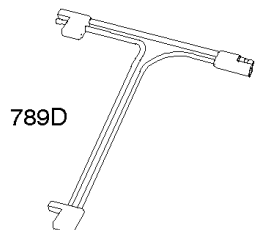
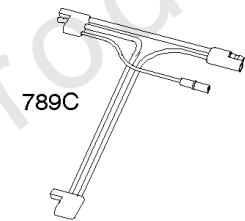
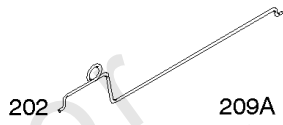
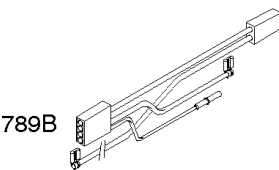
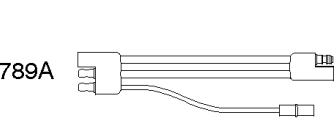
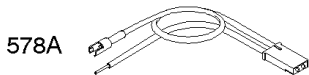
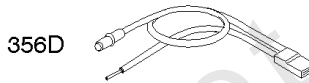


Controls, Electrical, Flywheel Brake, Governor Spring

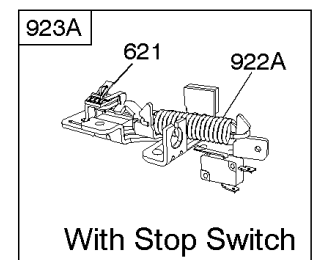
REF NO	PART NO	QTY	DESCRIPTION
98A	493280		KIT-IDLE SPEED -(Idle Speed)
188	693399		SCREW -(Control Bracket)
202	691829		LINK, Mechanical Governor
209B	699056		SPRING, Governor
222K	593582		BRACKET-CONTROL
236	691826		LINK, Lockout
265	690798		CLAMP, Casing
265A	691024		CLAMP, Casing
265B	692179		CLAMP-CASING
267	691044		SCREW -(Casing Clamp)
268	691025		CASING, Control Wire -(Cut To Required Length)
269	691026		WIRE, Control -(Cut To Required Length)
270	691027		NUT -(Control Wire Casing)
271	691028		LEVER, Control
347	691396		SWITCH, Rocker
356	692390		WIRE, Stop
356B	693010		WIRE, Stop
356D	496381		WIRE, Stop
356H	690791		WIRE, Stop
497	690664		SCREW -(Stopswitch Bracket)
500	691086		WASHER -(Key Switch)
578	398153		WIRE ASSEMBLY
578A	695283		WIRE ASSEMBLY
621	692310		SWITCH, Stop
627	792565		BRACKET-STOPSWITCH
627A	793211		BRACKET, Stopswitch
664	691087		NUT -(Key Switch)
668	493823		SPACER -(Includes 2)
745	691648		SCREW -(Brake)
789A	696546		HARNESS, Wiring
789F	594393		HARNESS, Wiring
789B	792685		HARNESS, Wiring
789C	796385		HARNESS, Wiring
789D	796574		HARNESS, Wiring
789E	594392		HARNESS, Wiring
843	691884		SLEEVE, Lever -(Speed Control)
843A	691895		SLEEVE, Lever -(Choke)
853	695268		ADAPTER, Wire
853A	695897		ADAPTER, Wire
892	690646		SWITCH, Key
922A	692135		SPRING, Brake
923	796136		BRAKE -(Rewind Start)



843 843A 188



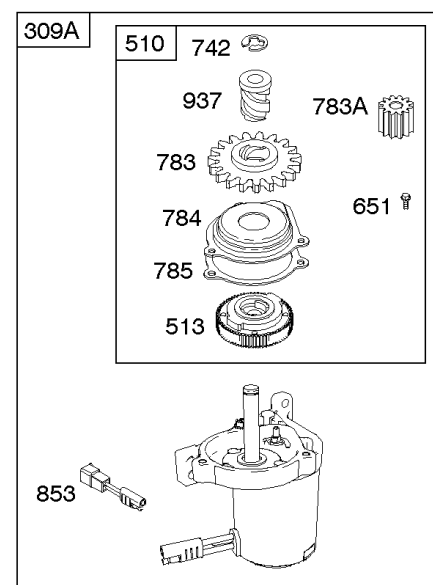
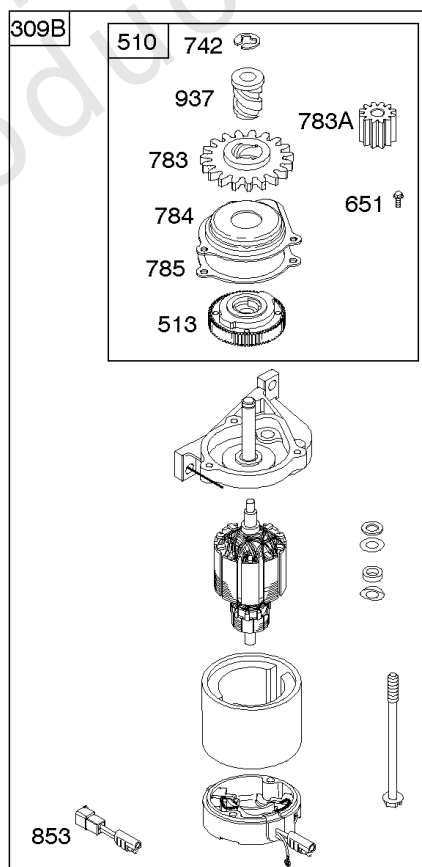
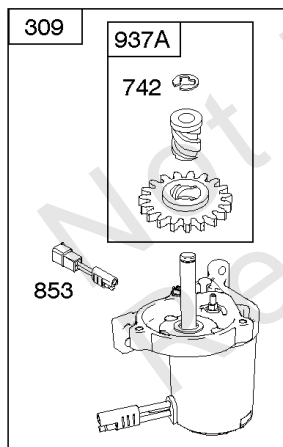
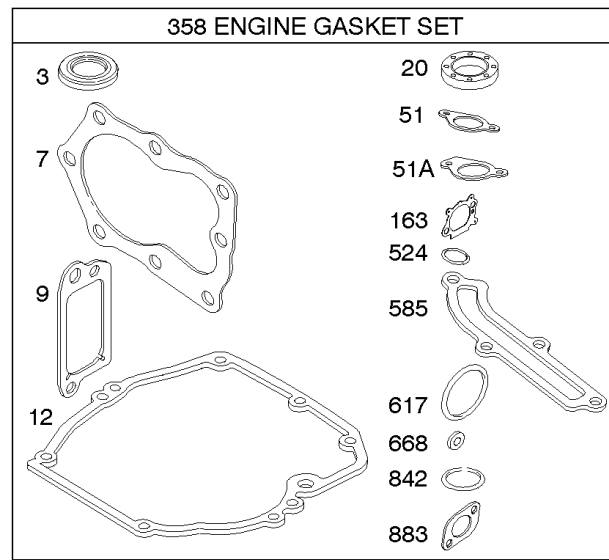
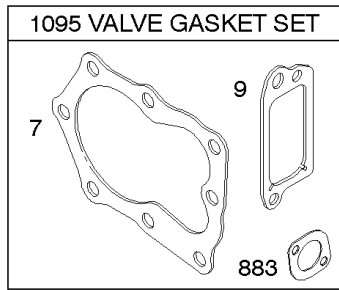
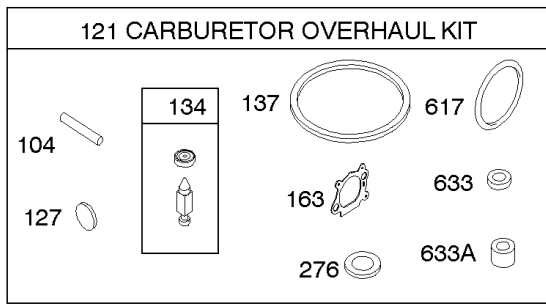
745



Controls, Electrical, Flywheel Brake, Governor Spring

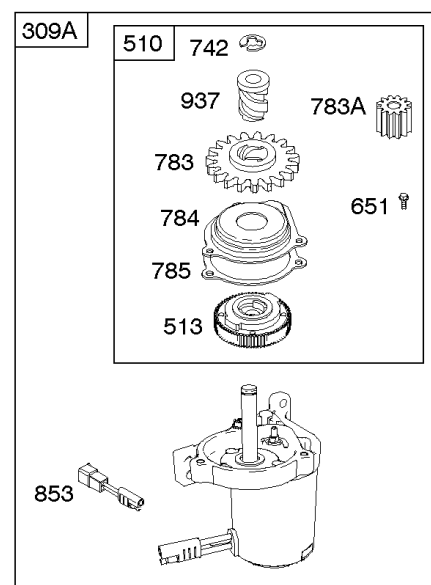
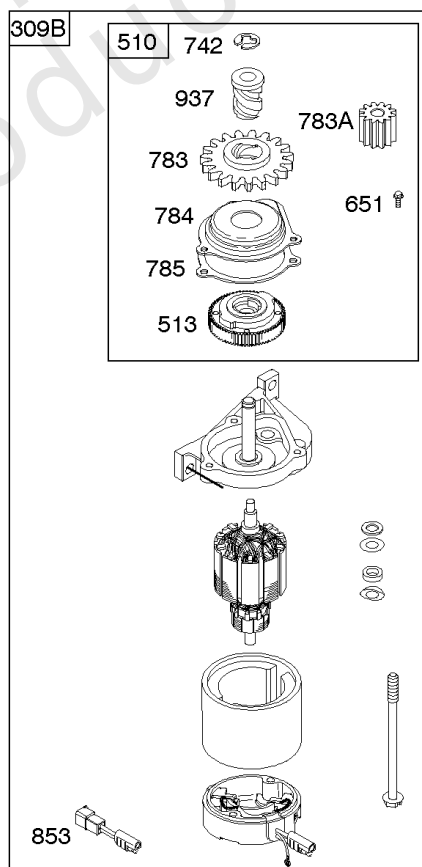
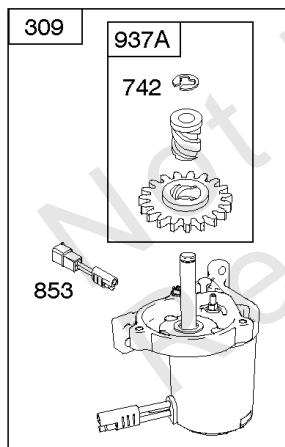
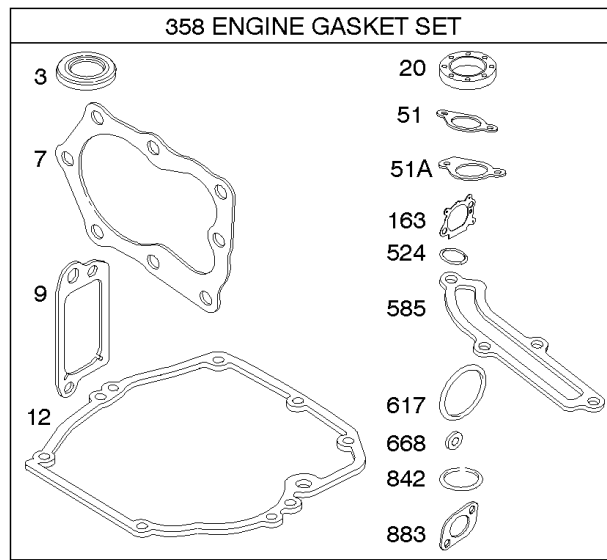
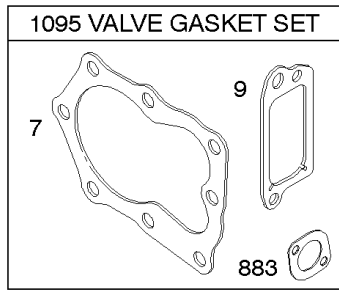
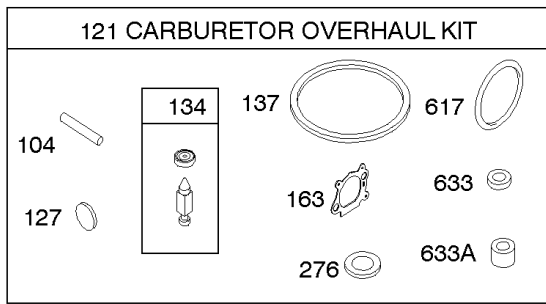
REF NO	PART NO	QTY	DESCRIPTION
923A	796387		BRAKE -(Electric Start)
990	691959		SET, Key

Not For Reproduction



Electric Starter, Gasket Kits

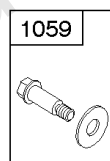
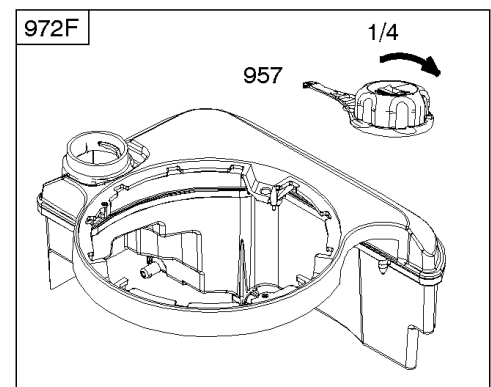
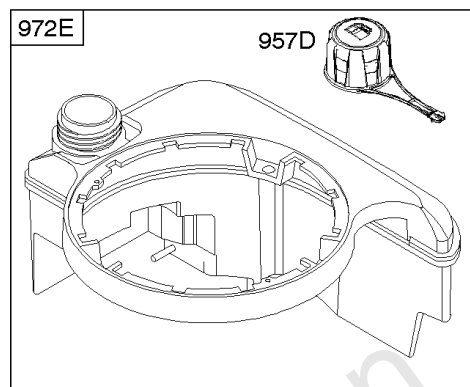
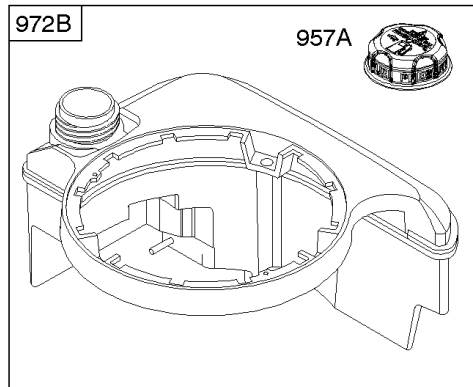
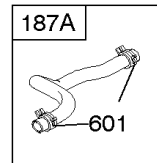
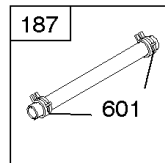
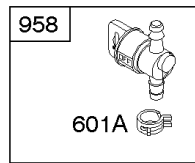
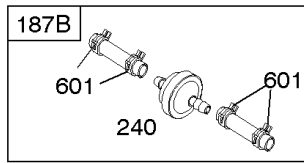
REF NO	PART NO	QTY	DESCRIPTION
3	299819S		SEAL, Oil -(Magneto Side)
7	692249		GASKET, Cylinder Head -Used Before Code Date 11070100
7	799875		GASKET, Cylinder Head -Used After Code Date 11063000
7	799874		GASKET, Cylinder Head
9	699833		GASKET-BREATHER
12	692232		GASKET, Crankcase
20	399781S		SEAL, Oil -(PTO Side)
51	272199S		GASKET, Intake
51A	794306		GASKET, Intake
104	797622		PIN-FLOAT HINGE
121	498260		KIT, Carburetor Overhaul
127	694468		PLUG, Welch -(Bowl Vent)
134	398188		KIT-NEEDLE/SEAT
137	796610		GASKET, Float Bowl -(1/8)
137	693981		GASKET-FLOAT BOWL -(1/16)
163	795629		GASKET-AIR CLEANER -(Air Cleaner)
276	271716		WASHER-SEALING
309	799045		MOTOR-STARTER -Used After Code Date 10112700
309A	-----		Motor-Starter -(For Replacement Starter Motor, Order Reference 309)
309B	-----		Motor-Starter -(No Longer Available) (See Reference 309 For Replacement) -Used After Code Date 07052800 -Used Before Code Date 10112800
358	590508		GASKET SET, Engine
510	795093		DRIVE, Starter
513	795100		CLUTCH-DRIVE
524	692296		SEAL-DIPSTICK TUBE -(Dipstick Tube)
585	691879		GASKET-BREA PASSAGE
617	270344S		SEAL, O-Ring -(Intake Manifold)
633	691321		SEAL-CHOKE/THR SHAFT -(Throttle Shaft)
633A	693867		SEAL, Choke/Throttle Shaft
651	691660		SCREW -(Starter Gear Cover)
668	493823		SPACER -(Includes 2)
697	691127		SCREW -(Starter Motor) (Drive Cap)
742	93941		RETAINER, E Ring
783	795099		GEAR-PINION
783A	795096		GEAR-PINION
784	795095		COVER, Starter Gear
785	692352		GASKET-STARTER COVER
842	691031		SEAL, O-Ring -(Dipstick Tube)



Electric Starter, Gasket Kits

REF NO	PART NO	QTY	DESCRIPTION
853	695268		ADAPTER, Wire
883	691881		GASKET, Exhaust
937	795098		SPLINE-STARTER
937A	799420		SPLINE, Starter
1095	590507		GASKET SET, Valve

Not For Reproduction



Not For
Reproduction

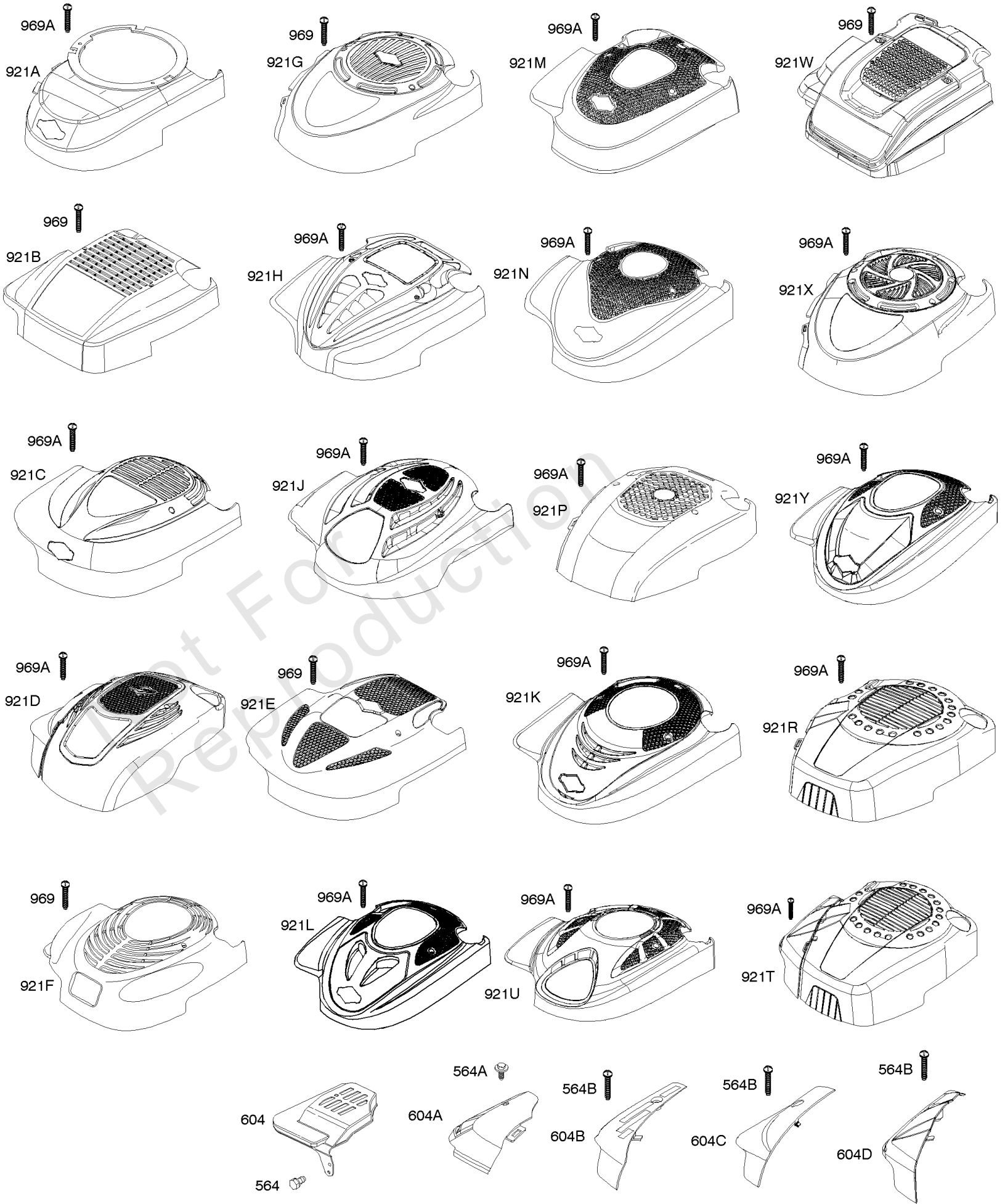
Fuel Supply, Ignition

REF NO	PART NO	QTY	DESCRIPTION
187	791766		LINE, Fuel -(15" Long)(Cut To Required Length)
187A	791873		LINE-FUEL -(Molded)
187B	791891		LINE-FUEL
190	690940		SCREW -(Fuel Tank)
240	298090S		FILTER, Fuel
601	791850		CLAMP, Hose
601A	691038		CLAMP, Hose
670	692294		SPACER, Fuel Tank
957	591003		CAP, Fuel Tank -(1/4 Turn Cap - Red)
957	799585		CAP, Fuel Tank -(1/4 Turn Cap - Black)
957A	692046		CAP, Fuel Tank -(Threaded)(Vented)
957D	796577		CAP-FUEL TANK -(Threaded)(Vented)
958	698183		VALVE, Fuel Shut Off
972B	699374		TANK, Fuel -(Threaded)
972F	590490		TANK, Fuel -(1/4 Turn Cap - Black)
972E	796578		TANK, Fuel -(Flourinated)
1059	692311		KIT, Screw/Washer

Replacement Engine - US & Canada

REF NO	PART NO	QTY	DESCRIPTION
	126L021625	1	Replacement Engine
	792741	1	Replacement Short Block
	-----		Top No-Load Speed: 3100 -Trim: ALL

Not For Reproduction



Shrouds

REF NO	PART NO	QTY	DESCRIPTION
564	690664		SCREW -(Control Cover)
564A	691142		SCREW -(Control Cover)
564B	698589		SCREW -(Control Cover)
604	691757		COVER-CONTROL
604A	691344		COVER, Control
604B	790703		COVER, Control
604C	792418		COVER, Control
604D	793770		COVER, Control -(Replacement, Order Replacement 921T)
921A	695886		COVER-BLOWER HSG
921B	692931		HOUSING, Blower
921D	591955		HOUSING, Blower
921T	592290		HOUSING, Blower
921C	695889		HOUSING, Blower
921E	696262		HOUSING, Blower
921F	697343		HOUSING, Blower
921K	699984		HOUSING, Blower
921J	790036		HOUSING, Blower
921H	790037		HOUSING, Blower
921L	791026		HOUSING, Blower
921M	792652		HOUSING, Blower
921N	792675		HOUSING, Blower
921P	792687		HOUSING, Blower
921R	793771		HOUSING, Blower
921U	794355		HOUSING, Blower
921G	795064		HOUSING, Blower
921X	796706		HOUSING, Blower
921W	796921		HOUSING, Blower
921Y	798277		HOUSING, Blower
969	690700		SCREW -(Blower Housing)
969A	691138		SCREW -(Blower Housing)

