



Parts Manual

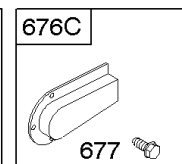
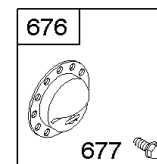
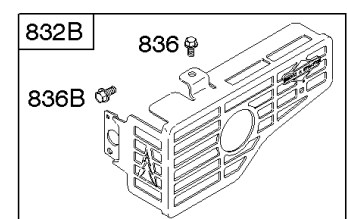
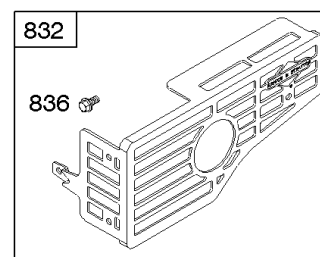
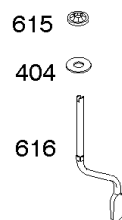
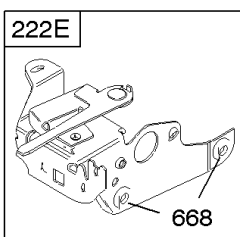
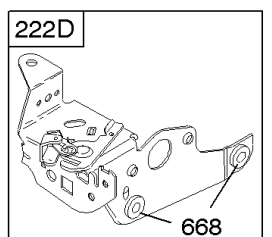
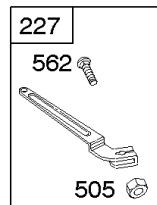
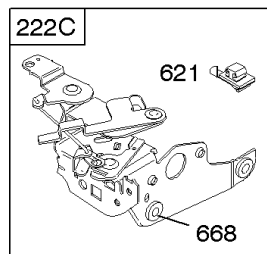
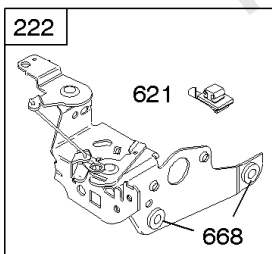
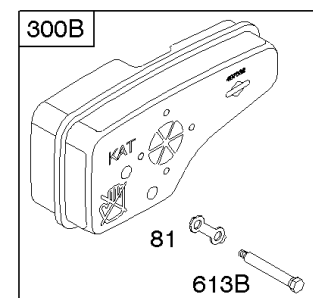
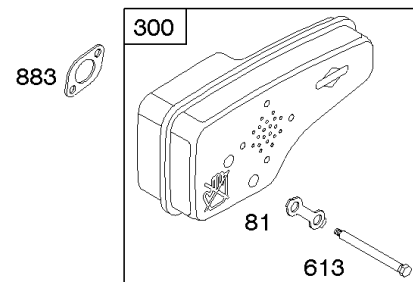
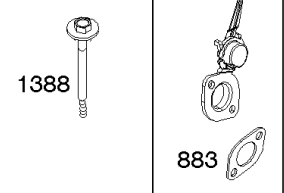
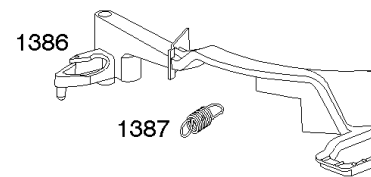
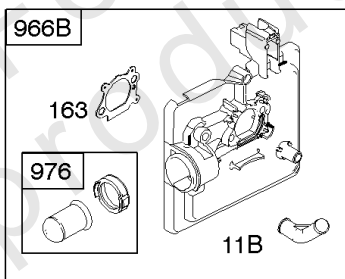
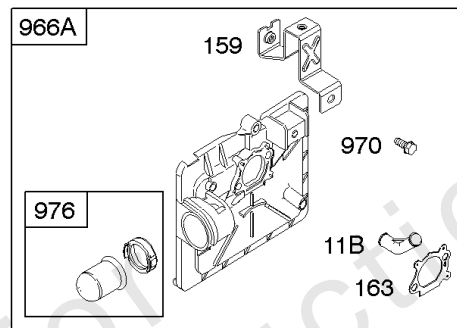
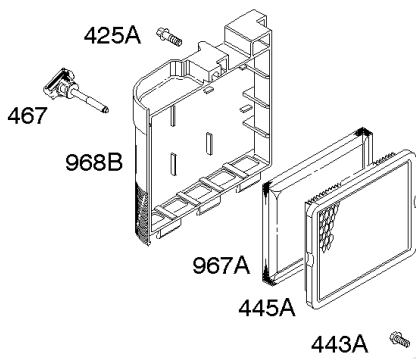
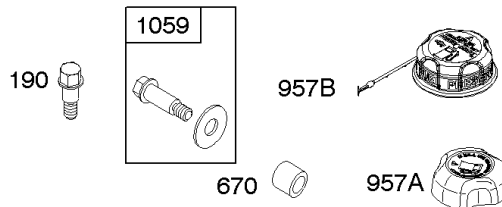
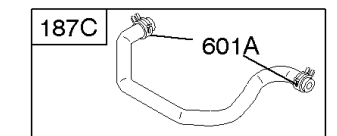
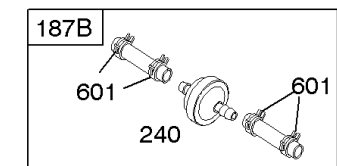
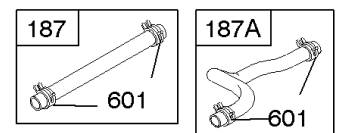
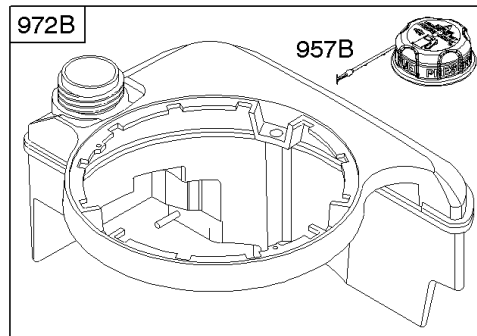
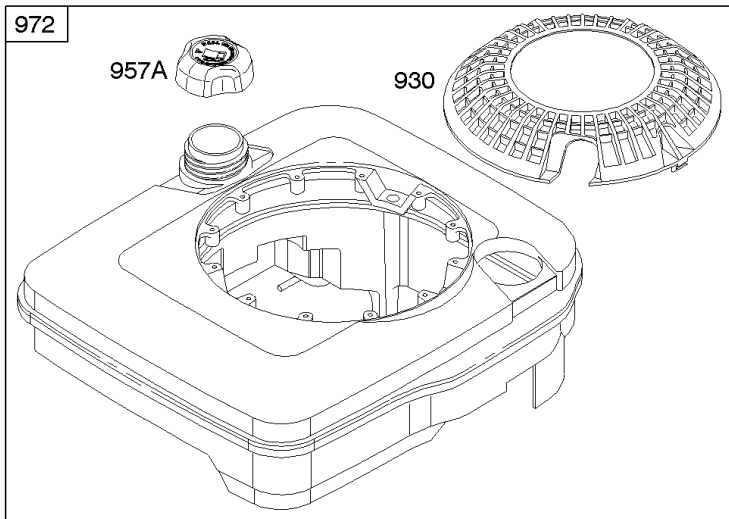
Mfg. No: 123K02-0232-E1

Model Components	Page
Air Cleaner, Controls, Exhaust System, Fuel Supply, Governor Spring.	4
Alternator, Electric Starter, Electrical, Flywheel, Flywheel Brake, Ignition, Rewind Starter.	8
Blower Housing/Shrouds.	12
Camshaft, Crankshaft, Cylinder, Engine Sump, Kit/Gasket, Lubrication, Piston Group, Valves.	14
Carburetor.	22
Replacement Engine - US & Canada.	26

Not For
Reproduction

Air Cleaner, Controls, Exhaust System, Fuel Supply, Governor Spring

Mfg. No: 123K02-0232-E1

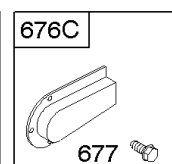
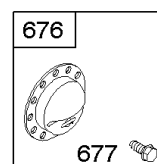
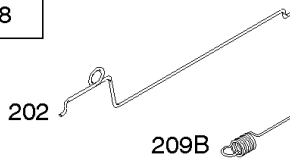
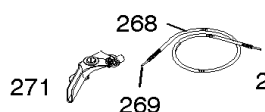
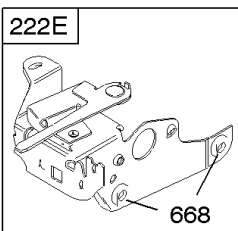
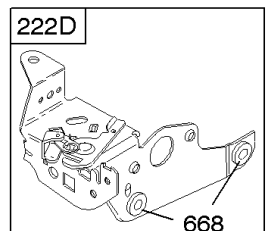
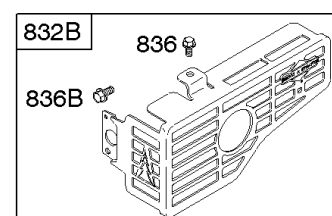
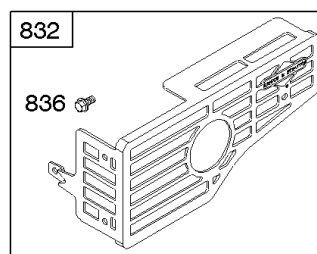
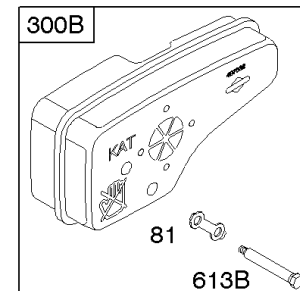
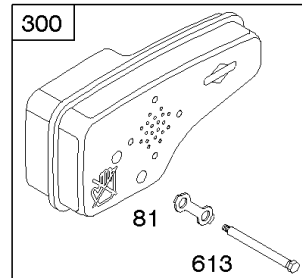
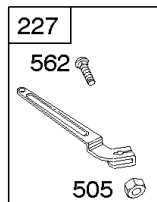
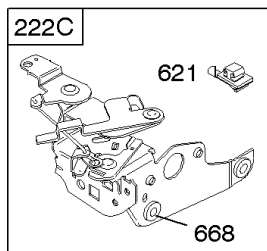
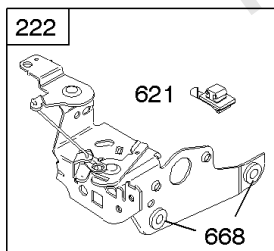
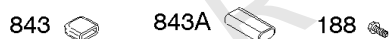
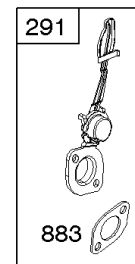
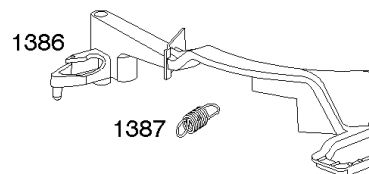
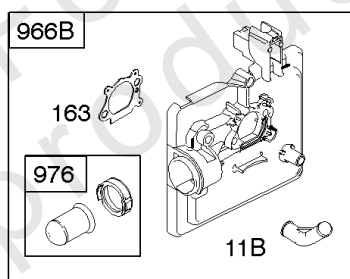
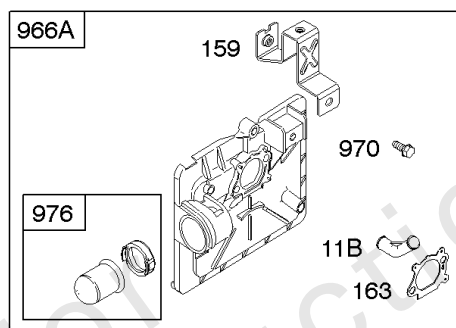
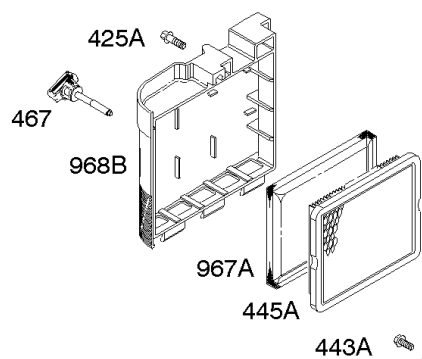
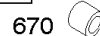
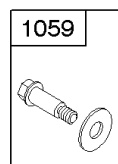
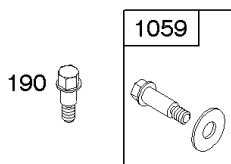
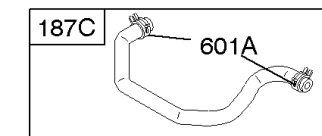
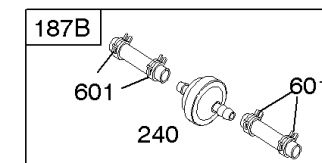
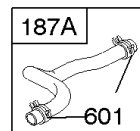
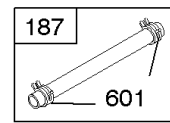
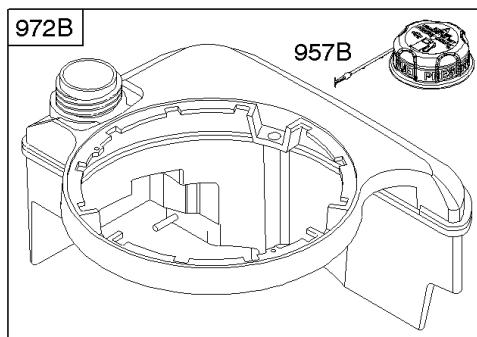
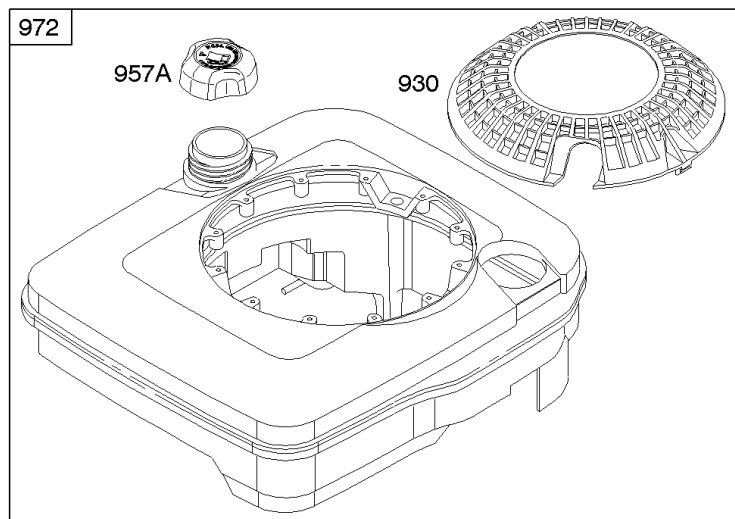


Air Cleaner, Controls, Exhaust System, Fuel Supply, Governor Spring

REF NO	PART NO	QTY	DESCRIPTION
11B	691923		TUBE, Breather
81	691740		LOCK, Muffler Screw
159	691753		BRACKET, Air Cleaner Primer
163	272653S		GASKET, Air Cleaner -(Air Cleaner)
187	791766		LINE, Fuel -(Cut To Required Length)
187A	791873		LINE-FUEL -(Molded)
187B	791891		LINE-FUEL -(Includes Filter)
187C	791875		LINE, Fuel -(Molded)
188	693399		SCREW -(Control Bracket)
190	690940		SCREW -(Fuel Tank)
202	691829		LINK, Mechanical Governor
209B	699056		SPRING, Governor
222	790143		BRACKET-CONTROL -(Remote/Manual Friction)(Primer)
222C	692150		BRACKET, Control -(Variable Speed)(5 Position Manual Choke)
222D	692467		BRACKET, Control -(Fixed Speed)
222E	692982		BRACKET, Control -(Manual Friction, 5 Position Manual Choke)
227	690783		LEVER-GOV CONTROL
240	298090S		FILTER, Fuel
265	690798		CLAMP, Casing
267	691044		SCREW -(Casing Clamp)
268	691025		CASING, Control Wire -(Cut To Required Length)
269	691026		WIRE, Control -(Cut To Required Length)
270	691027		NUT -(Control Wire Casing)
271	691028		LEVER, Control
291	790830		THERMOSTAT
300	692038		MUFFLER
300B	694048		MUFFLER -(Super Lo Tone Catalyst)
404	690272		WASHER -(Governor Crank)
425A	690670		SCREW -(Air Cleaner Cover)
443A	692523		SCREW -(Air Cleaner Primer Base)
445A	491588S		FILTER, A/C Cartridge
467	790842		KNOB, Air Cleaner Cover
505	691251		NUT -(Governor Control Lever)
562	92613		BOLT -(Governor Lever)
601	791850		CLAMP, Hose
601A	691038		CLAMP, Hose

Air Cleaner, Controls, Exhaust System, Fuel Supply, Governor Spring

Mfg. No: 123K02-0232-E1

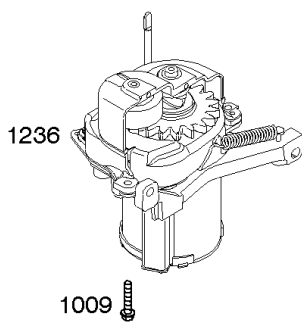
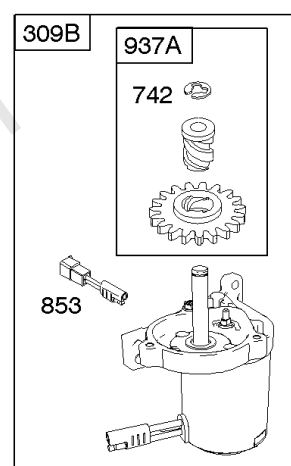
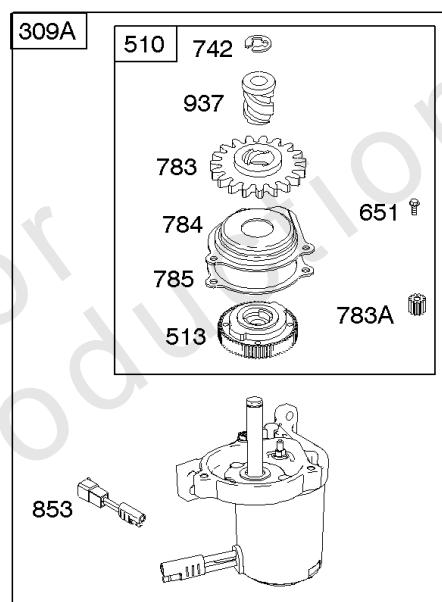
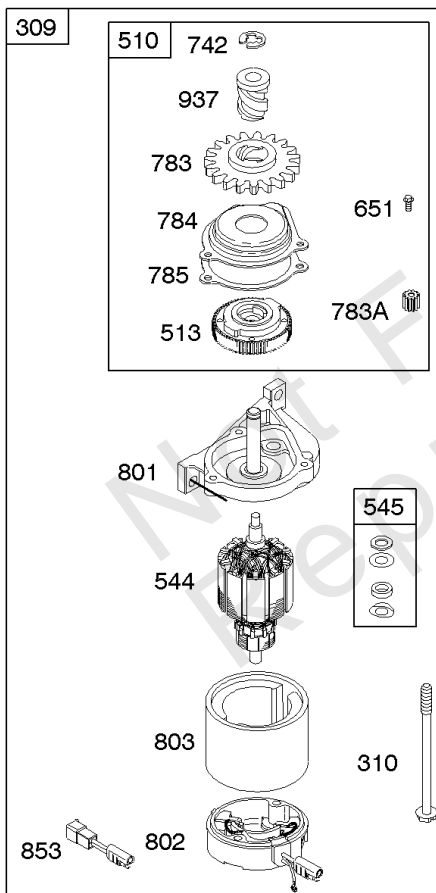
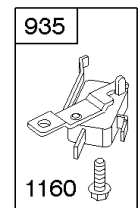
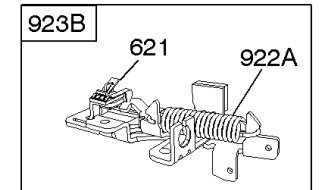
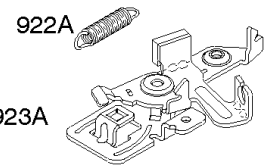
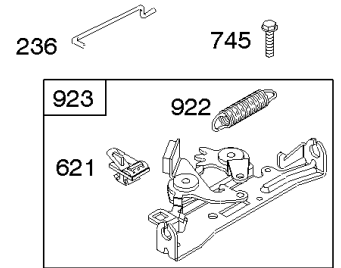
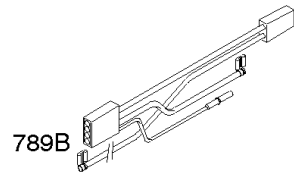
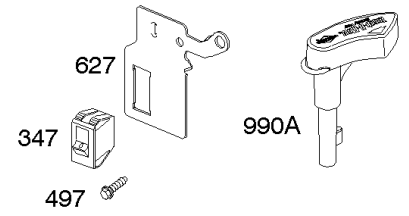
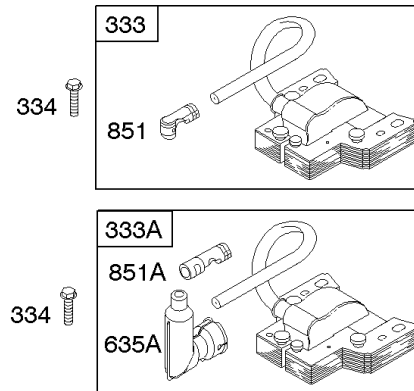
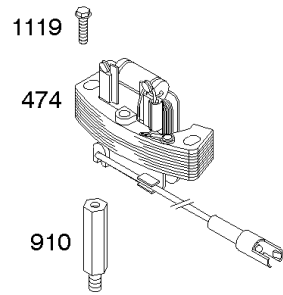
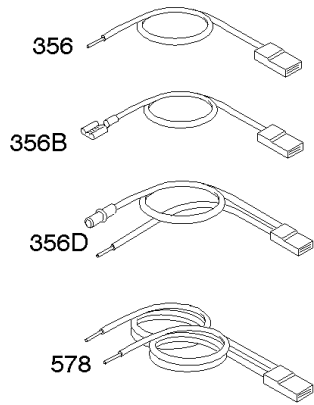


Air Cleaner, Controls, Exhaust System, Fuel Supply, Governor Spring

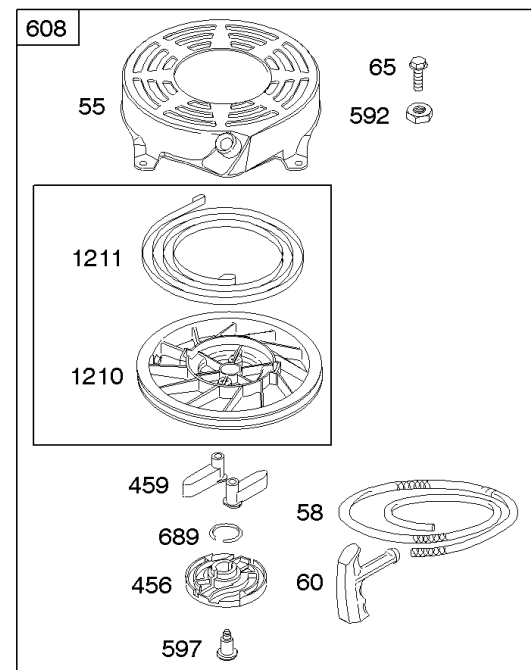
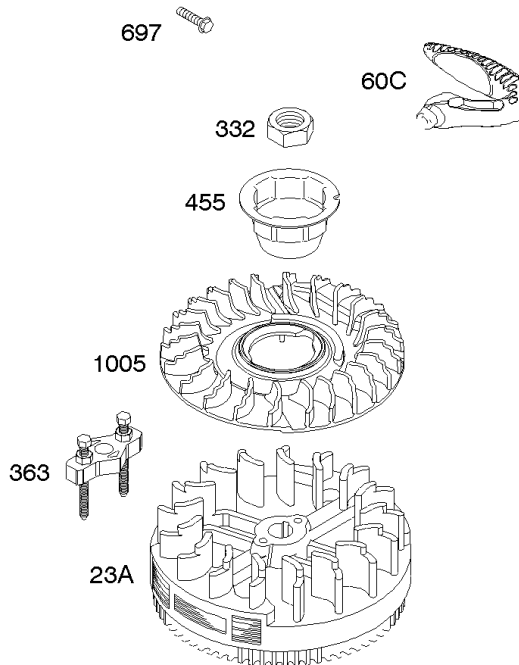
REF NO	PART NO	QTY	DESCRIPTION
613	691340		SCREW -(Muffler)
613B	691114		SCREW -(Muffler)
615	690340		RETAINER, Governor Shaft
616	698801		CRANK-GOVERNOR
621	692310		SWITCH, Stop
668	493823		SPACER -(Includes 2)
670	692294		SPACER, Fuel Tank
676	396548		DEFLECTOR, Muffler -(Louvered)
676C	493871		DEFLECTOR, Muffler -(Side Out)(Extended)
677	690661		SCREW -(Muffler Deflector)
832	590486		GUARD, Muffler -Used After Code Date 11063000
832	499034		GUARD, Muffler -Used Before Code Date 11070100
832B	497683		GUARD, Muffler -(Used With Super Lo Tone Catalyst Muffler)
836	690664		SCREW -(Muffler Guard)
836B	691147		SCREW -(Muffler Guard)
843	691884		SLEEVE, Lever -(Control Bracket)
843A	691895		SLEEVE, Lever -(Choke)
883	691881		GASKET, Exhaust
930	691919		GUARD, Rewind -(Round)
957A	692046		CAP, Fuel Tank -(Plastic)
957B	699985		CAP, Fuel Tank -(Plastic)
966A	496116		BASE, Air Cleaner -(Primer)
966B	792040		BASE, Air Cleaner -(Primer)
967A	493537S		FILTER, Air Cleaner Foam
968B	692298		COVER, Air Cleaner
970	691669		SCREW -(Air Cleaner Primer Bracket)
972	699392		TANK, FUEL -(Plastic)
972B	699374		TANK, Fuel -(Plastic)
976	694395		PRIMER, Carburetor
1059	692311		KIT, Screw/Washer
1059	696293		KIT, Screw/Washer -(Touch N Mow)
1386	790848		VANE, Air -(Autochoke System)
1387	790849		SPRING, Air Vane
1388	790850		SCREW -(Air Vane) (Auto Choke System)

Alternator, Electric Starter, Electrical, Flywheel, Flywheel Brake, Ignition, Rewind Starter

Mfg. No: 123K02-0232-E1



1009

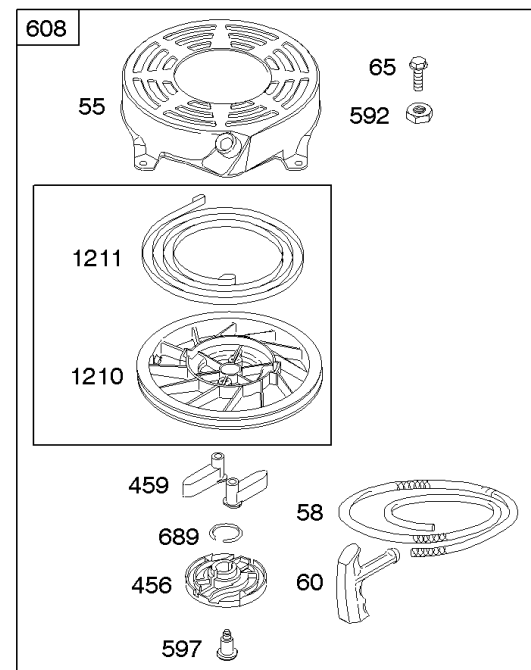
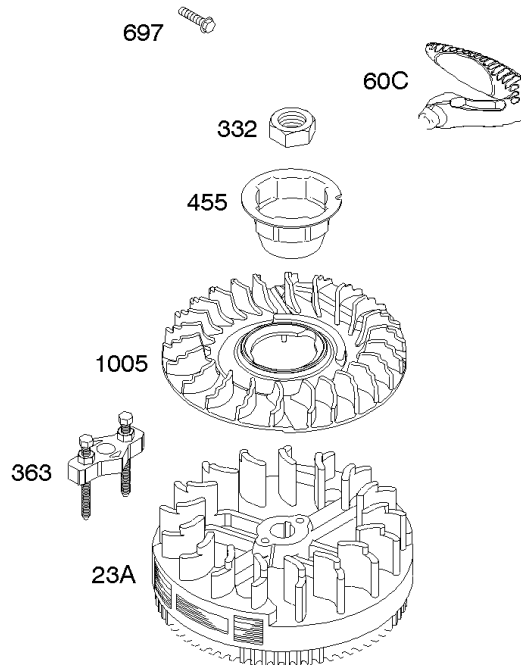
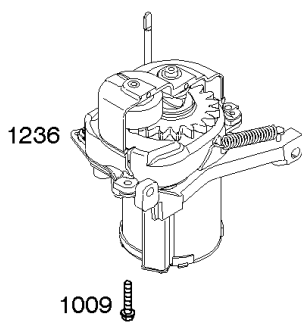
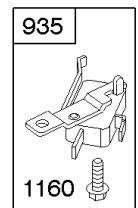
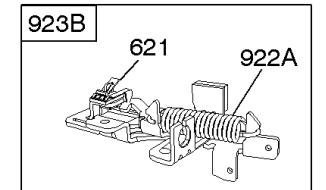
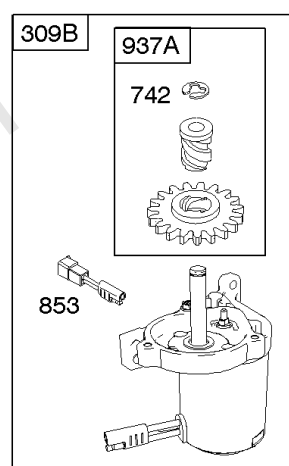
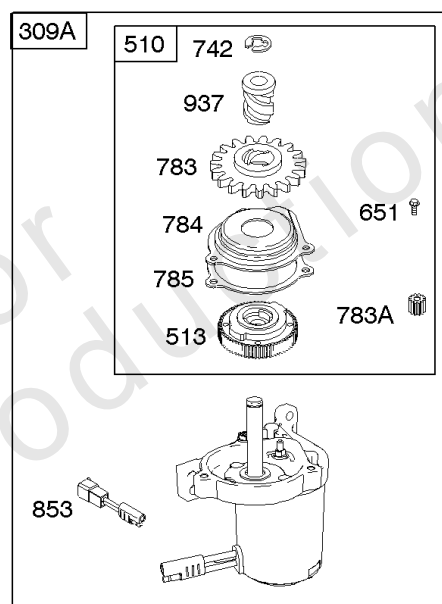
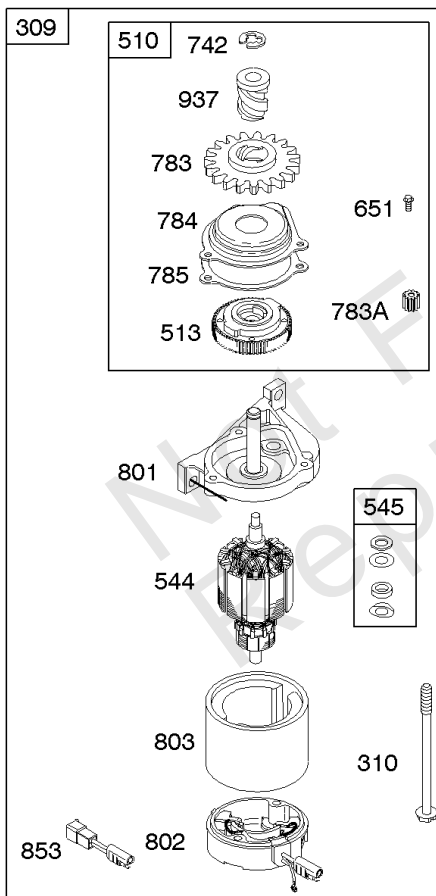
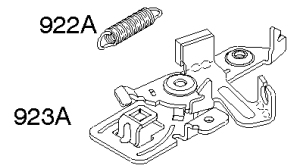
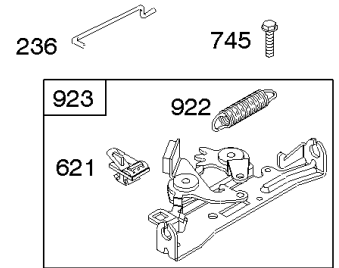
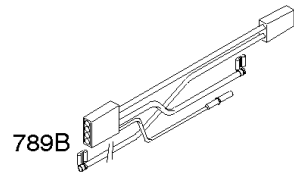
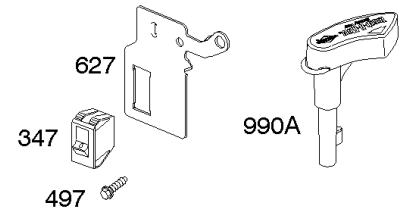
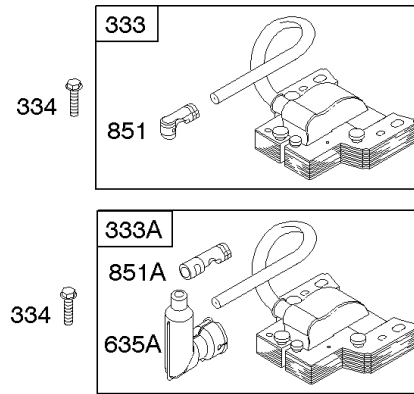
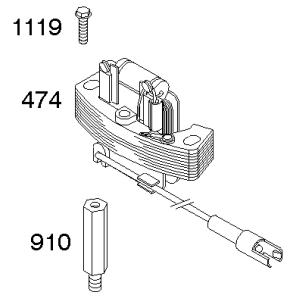
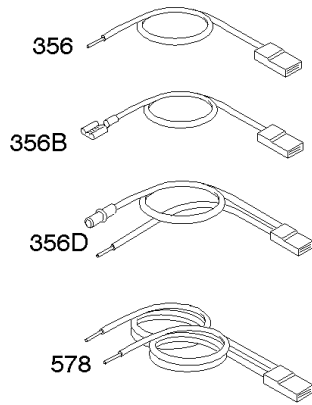


Alternator, Electric Starter, Electrical, Flywheel, Flywheel Brake, Ignition, Rewind Starter

REF NO	PART NO	QTY	DESCRIPTION
23A	691987		FLYWHEEL
55	691421		HOUSING, Rewind Starter
58	697316		ROPE, Starter -(Cut To Required Length)
60	281434S		GRIP, Starter Rope
60C	799716		GRIP, Starter Rope
65	690837		SCREW -(Rewind Starter)
236	691826		LINK, Lockout
309	695550		MOTOR, Starter -Used Before Code Date 07052900
309A	795092		MOTOR, Starter -Used After Code Date 07052800 -Used Before Code Date 10112800
309B	799045		MOTOR-STARTER -Used After Code Date 10112700
310	692327		SCREW -(Starter Motor)
332	690662		NUT -(Flywheel)
333	802574		ARMATURE, Magneto
333A	793353		ARMATURE, Magneto
334	691061		SCREW -(Magneto Armature)
347	691396		SWITCH, Rocker
356	692390		WIRE, Stop
356B	693010		WIRE, Stop
356D	496381		WIRE, Stop
363	19069		PULLER, Flywheel
455	791960		CUP, Flywheel
456	692299		PLATE-PAWL FRICTION
459	281505S		PAWL-RATCHET
474	691991		ALTERNATOR
497	690664		SCREW -(Stopswitch Bracket)
510	795093		DRIVE, Starter
513	692358		CLUTCH, Drive
544	690786		ARMATURE, Starter
545	492919		WASHER -(Starter Motor)
578	398153		WIRE ASSEMBLY
592	690800		NUT -(Rewind Starter)
597	691696		SCREW -(Pawl Friction Plate)
608	497680		STARTER, Rewind
621	692310		SWITCH, Stop
627	692872		BRACKET, Stopswitch
635A	793351		SHIELD-SPARK PLUG
651	691660		SCREW -(Starter Gear Cover)
689	691855		SPRING-FRICTION
697	691127		SCREW -(Drive Cap)
742	93941		RETAINER, E Ring

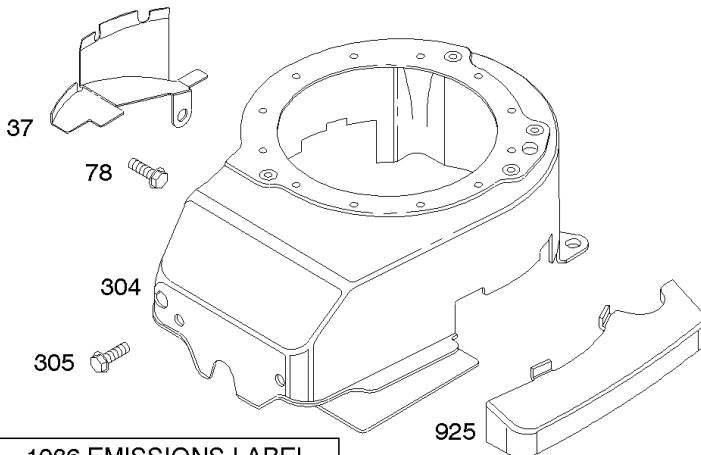
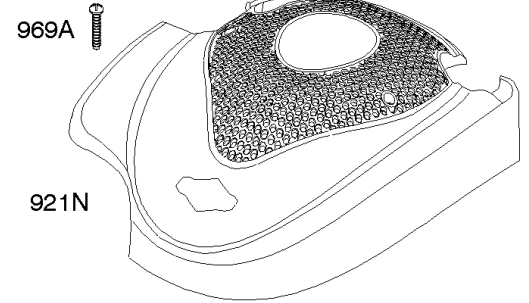
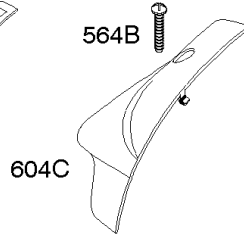
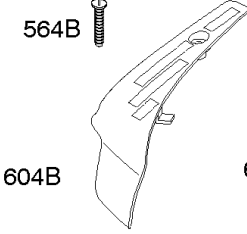
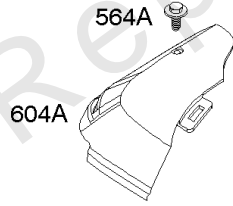
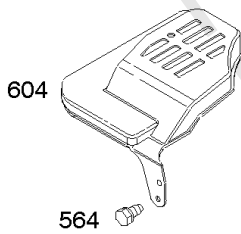
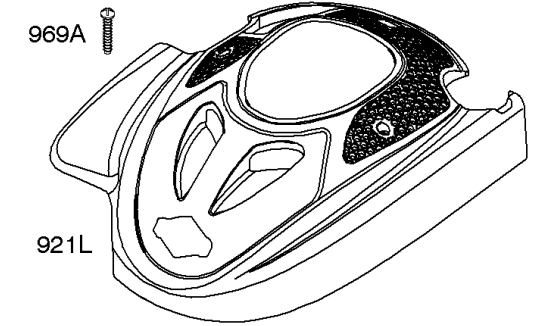
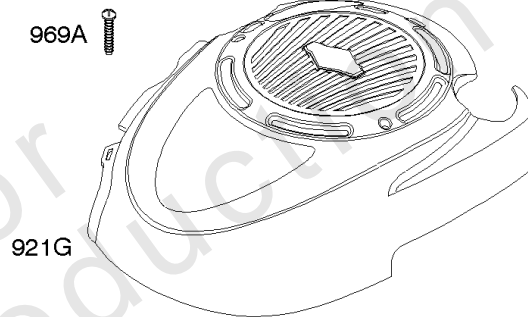
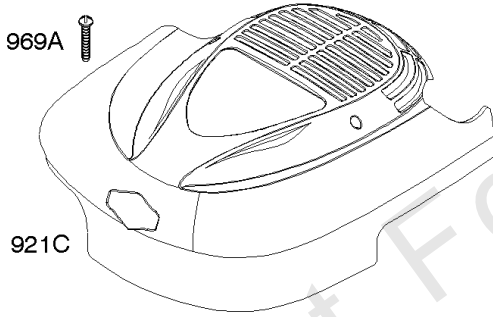
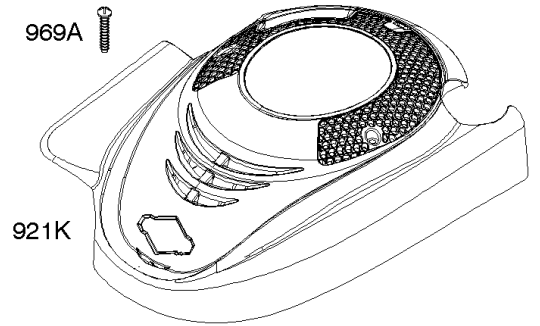
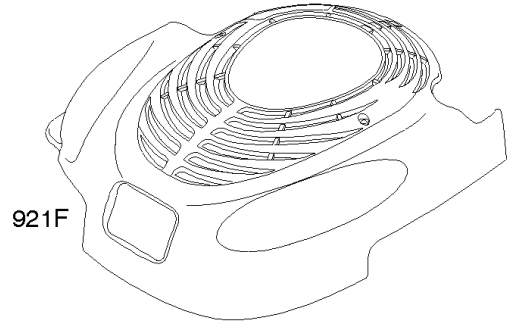
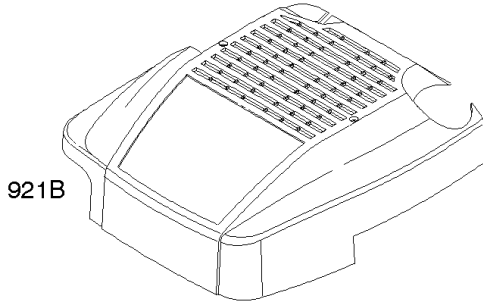
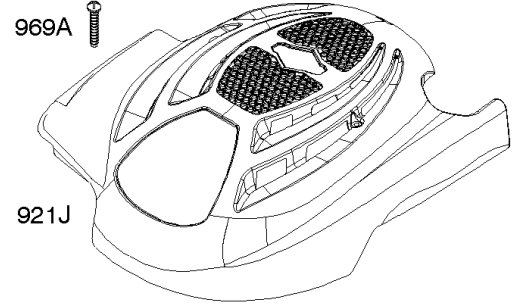
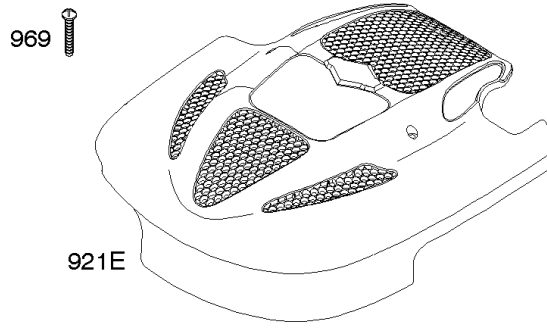
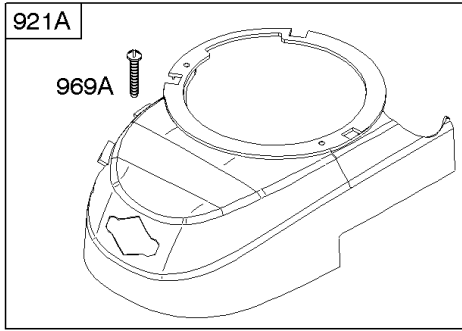
Alternator, Electric Starter, Electrical, Flywheel, Flywheel Brake, Ignition, Rewind Starter

Mfg. No: 123K02-0232-E1

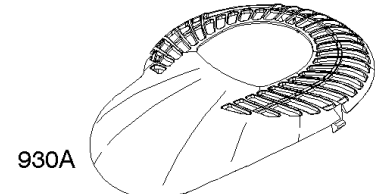
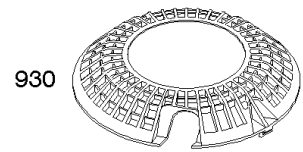


Alternator, Electric Starter, Electrical, Flywheel, Flywheel Brake, Ignition, Rewind Starter

REF NO	PART NO	QTY	DESCRIPTION
745	691648		SCREW -(Brake)
783	691918		GEAR, Pinion
783A	691269		GEAR, Pinion
784	795095		COVER, Starter Gear
785	692352		GASKET-STARTER COVER
789B	696547		HARNESS, Wiring
801	690782		CAP, Drive
802	695267		CAP, End
803	695266		HOUSING, Starter
851	493880S		TERMINAL-SPARK PLUG
851A	692424		TERMINAL, Spark Plug
853	695268		ADAPTER, Wire
910	691094		STUD -(Alternator)
922	691831		SPRING-BRAKE
923A	695891		BRAKE -Used Before Code Date 08050100
923B	796136		BRAKE -Used After Code Date 08043000
935	499421		SWITCH, Interlock -Used Before Code Date 08050100
937	691325		SPLINE, Starter
937A	799420		SPLINE, Starter
990A	695951		SET, Key
1005	691346		FAN, Flywheel
1009	696255		SCREW -(Starter Motor)
1119	692979		SCREW -(Alternator)
1160	690345		SCREW -(Interlock Switch)
1210	498144		PULLEY/SPRING ASSY -(Pulley)
1211	498144		PULLEY/SPRING ASSY -(Spring)
1236	695959		STARTER, Mechanical -(Touch N Mow)(Do Not Service Individual Parts, Only As A Whole)



1036 EMISSIONS LABEL



Blower Housing/Shrouds

REF NO	PART NO	QTY	DESCRIPTION
37	694086		GUARD, Flywheel
78	691108		SCREW -(Flywheel Guard)
304	695892		HOUSING, Blower
305	691108		SCREW -(Blower Housing)
564	690664		SCREW -(Control Cover)
564A	691142		SCREW -(Control Cover)
564B	698589		SCREW -(Control Cover)
604	691757		COVER-CONTROL
604A	691344		COVER, Control
604B	790703		COVER, Control
604C	792418		COVER, Control
921A	695886		COVER-BLOWER HSG -(Black)
921B	692931		HOUSING, Blower
921N	792675		HOUSING, Blower
921C	695889		HOUSING, Blower
921E	696262		HOUSING, Blower
921F	697343		HOUSING, Blower
921K	699984		HOUSING, Blower
921J	790036		HOUSING, Blower
921G	790701		HOUSING, Blower
921L	791026		HOUSING, Blower
925	690595		COVER, Linkage -Used Before Code Date 07100100
925	795403		COVER-LINKAGE -Used After Code Date 07093000
930	691919		GUARD, Rewind -(Round)
930A	691345		GUARD, Rewind -(Tear Drop)
969	690700		SCREW -(Blower Housing)
969A	691138		SCREW -(Blower Housing)
1036	-----		Label-Emissions -(Available From A Briggs & Stratton Authorized Dealer)

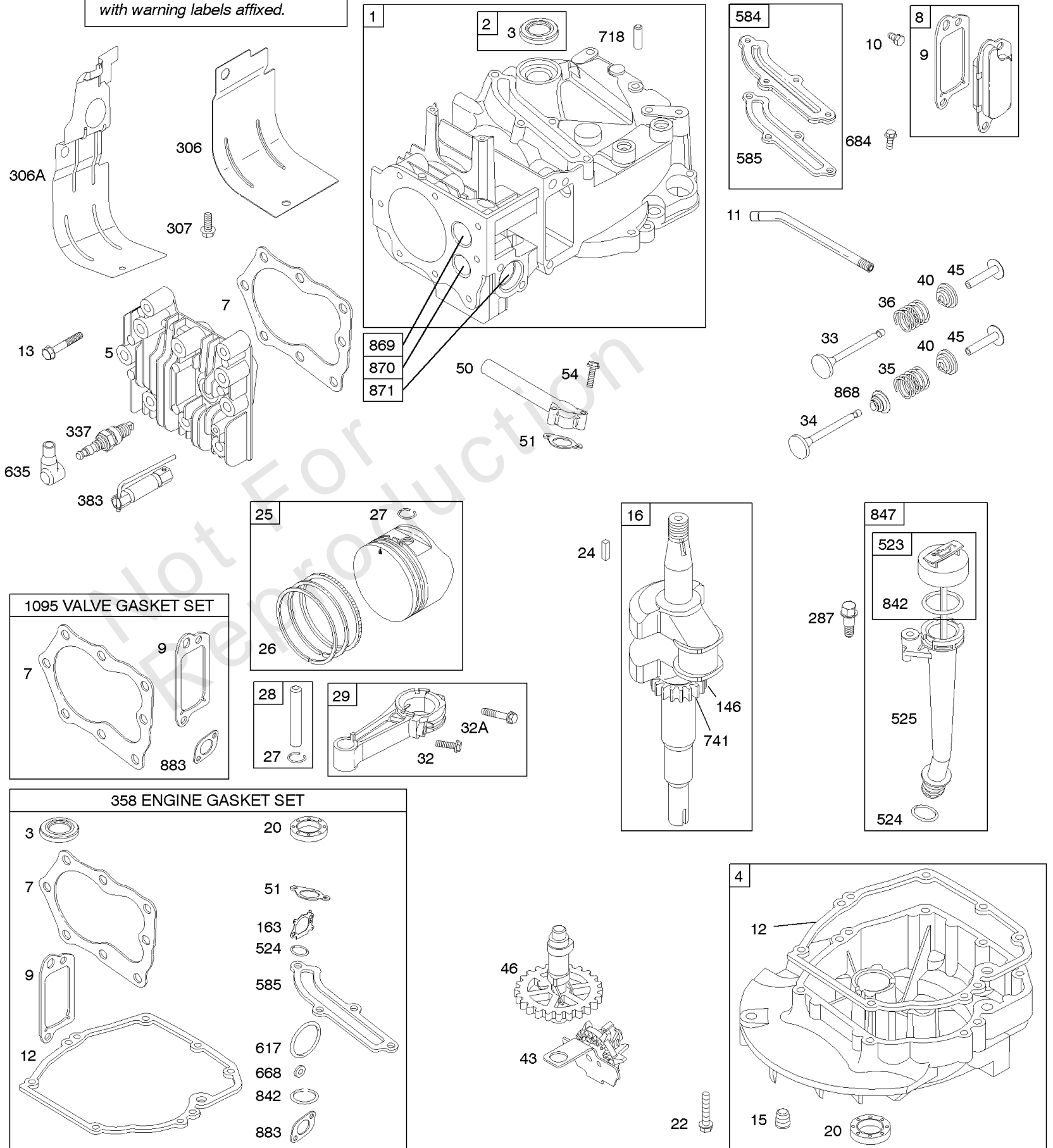
1319 WARNING LABEL

REQUIRED when replacing parts with warning labels affixed.

1058 OPERATOR'S MANUAL

1330 REPAIR MANUAL

1019 LABEL KIT



Camshaft, Crankshaft, Cylinder, Engine Sump, Kit/Gasket, Lubrication, Piston Group,

REF NO	PART NO	QTY	DESCRIPTION
1	590401		CYLINDER ASSEMBLY -Used After Code Date 11063000
1	697322		CYLINDER ASSEMBLY -Used Before Code Date 11070100
2	399269		KIT, Bushing/Seal -(Magneto Side)
3	299819S		SEAL, Oil -(Magneto Side)
4	493279		SUMP, Engine
5	590411		HEAD, Cylinder -Used After Code Date 11063000
5	691160		HEAD, Cylinder -Used Before Code Date 11070100
7	799875		GASKET, Cylinder Head -Used After Code Date 11063000
7	692249		GASKET, Cylinder Head -Used Before Code Date 11070100
8	695250		BREATHER ASSEMBLY -Used Before Code Date 11070100
8	590395		BREATHER ASSEMBLY -Used After Code Date 11063000
9	696125		GASKET, Breather -Used Before Code Date 11070100
9	699472		GASKET, Breather -Used After Code Date 11063000
10	691125		SCREW -(Breather Assembly)
11	691781		TUBE-BREATHER
12	692232		GASKET, Crankcase
13	590422		SCREW -(Cylinder Head) -Used After Code Date 11063000
13	690912		SCREW -(Cylinder Head) -Used Before Code Date 11070100
15	691680		PLUG, Oil Drain -(Square Socket)
16	691451		CRANKSHAFT
20	399781S		SEAL, Oil -(PTO Side)
22	691092		SCREW -(Crankcase Cover/Sump)
24	222698S		KEY, Flywheel
25	797303		PISTON ASSEMBLY -(.020 Oversize) -Used After Code Date 09041600 -Used Before Code Date 11070100
25	590404		PISTON ASSEMBLY -(Standard) -Used After Code Date 11063000
25	590405		PISTON ASSEMBLY -(.020 Oversize) -Used After Code Date 11063000
25	791097		PISTON ASSEMBLY -(Standard) -Used Before Code Date 07090400
25	791326		PISTON ASSEMBLY -(.020 Oversize) -Used Before Code Date 07090400

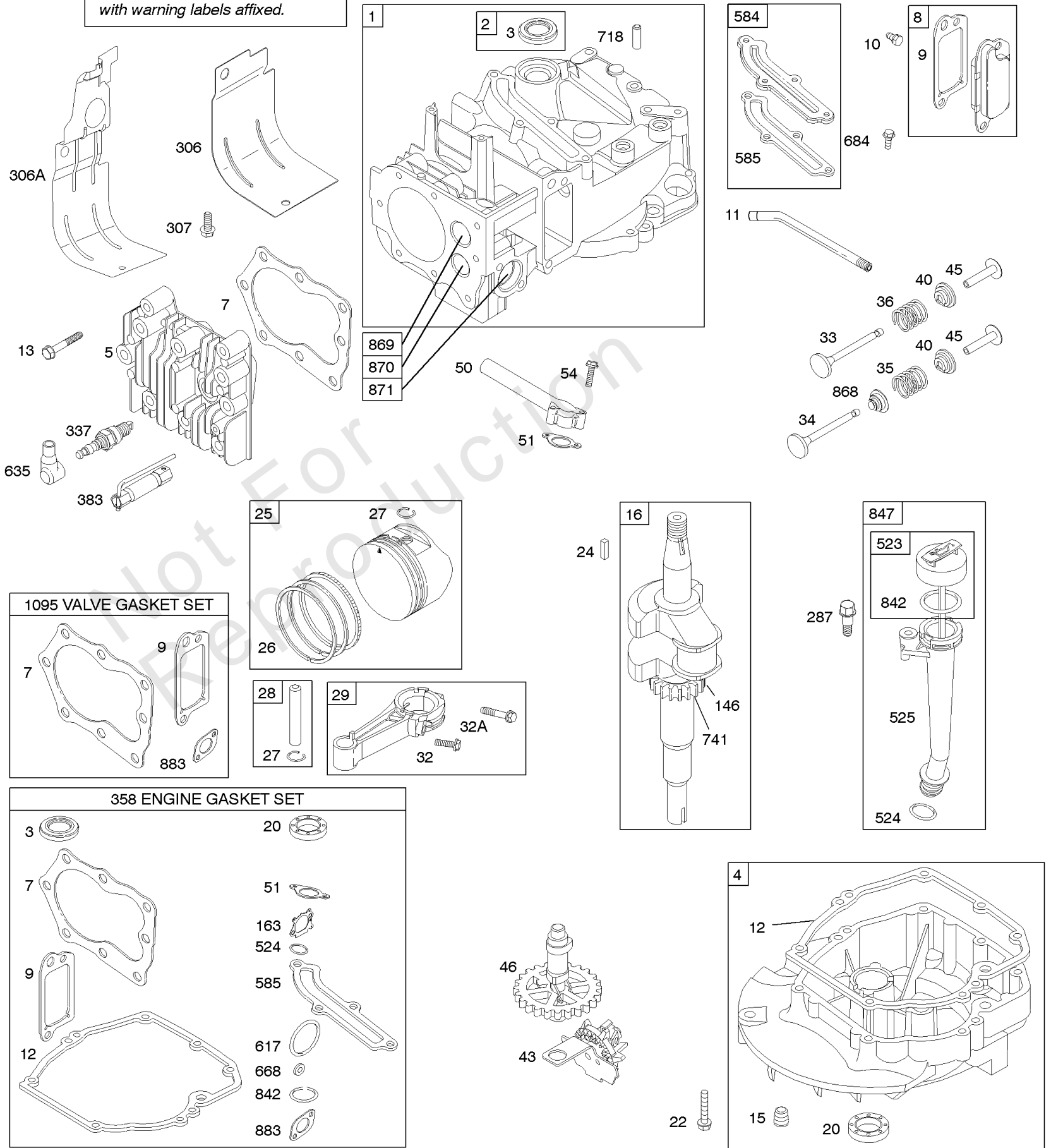
1319 WARNING LABEL

REQUIRED when replacing parts with warning labels affixed.

1058 OPERATOR'S MANUAL

1330 REPAIR MANUAL

1019 LABEL KIT



Camshaft, Crankshaft, Cylinder, Engine Sump, Kit/Gasket, Lubrication, Piston Group,

REF NO	PART NO	QTY	DESCRIPTION
25	795429		PISTON ASSEMBLY -(Standard) -Used After Code Date 07090300 -Used Before Code Date 09041700
25	795430		PISTON ASSEMBLY -(.020 Oversize) -Used After Code Date 07090300 -Used Before Code Date 09041700
25	797302		PISTON ASSEMBLY -(Standard) -Used After Code Date 09041600 -Used Before Code Date 11070100
26	797305		SET, Ring -(.020 Oversize) -Used After Code Date 09041600 -Used Before Code Date 11070100
26	499425		SET, Ring -(Standard) -Used Before Code Date 04031500
26	499427		SET, Ring -(.020 Oversize) -Used Before Code Date 04102200
26	590402		SET, Ring -(Standard) -Used After Code Date 11063000
26	590403		SET, Ring -(.020 Oversize) -Used After Code Date 11063000
26	791098		SET, Ring -(Standard) -Used After Code Date 04031400 -Used Before Code Date 07090400
26	791324		SET, Ring -(.020 Oversize) -Used After Code Date 04102100 -Used Before Code Date 07090400
26	795431		RING SET -(Standard) -Used After Code Date 07090300 -Used Before Code Date 09041700
26	795432		SET, Ring -(.020 Oversize) -Used After Code Date 07090300 -Used Before Code Date 09041700
26	797304		SET, Ring -(Standard) -Used After Code Date 09041600 -Used Before Code Date 11070100
27	691588		LOCK, Piston Pin -Used After Code Date 09041600
27	691866		LOCK-PISTON PIN -Used Before Code Date 09041700
28	298909		PIN, Piston -(Standard) -Used After Code Date 09041600
28	499423		PIN-PISTON/STD -(Standard) -Used Before Code Date 09041700
29	499424		ROD, Connecting -(Standard) -Used Before Code Date 09041700
29	797306		ROD, Connecting -(Standard) -Used After Code Date 09041600

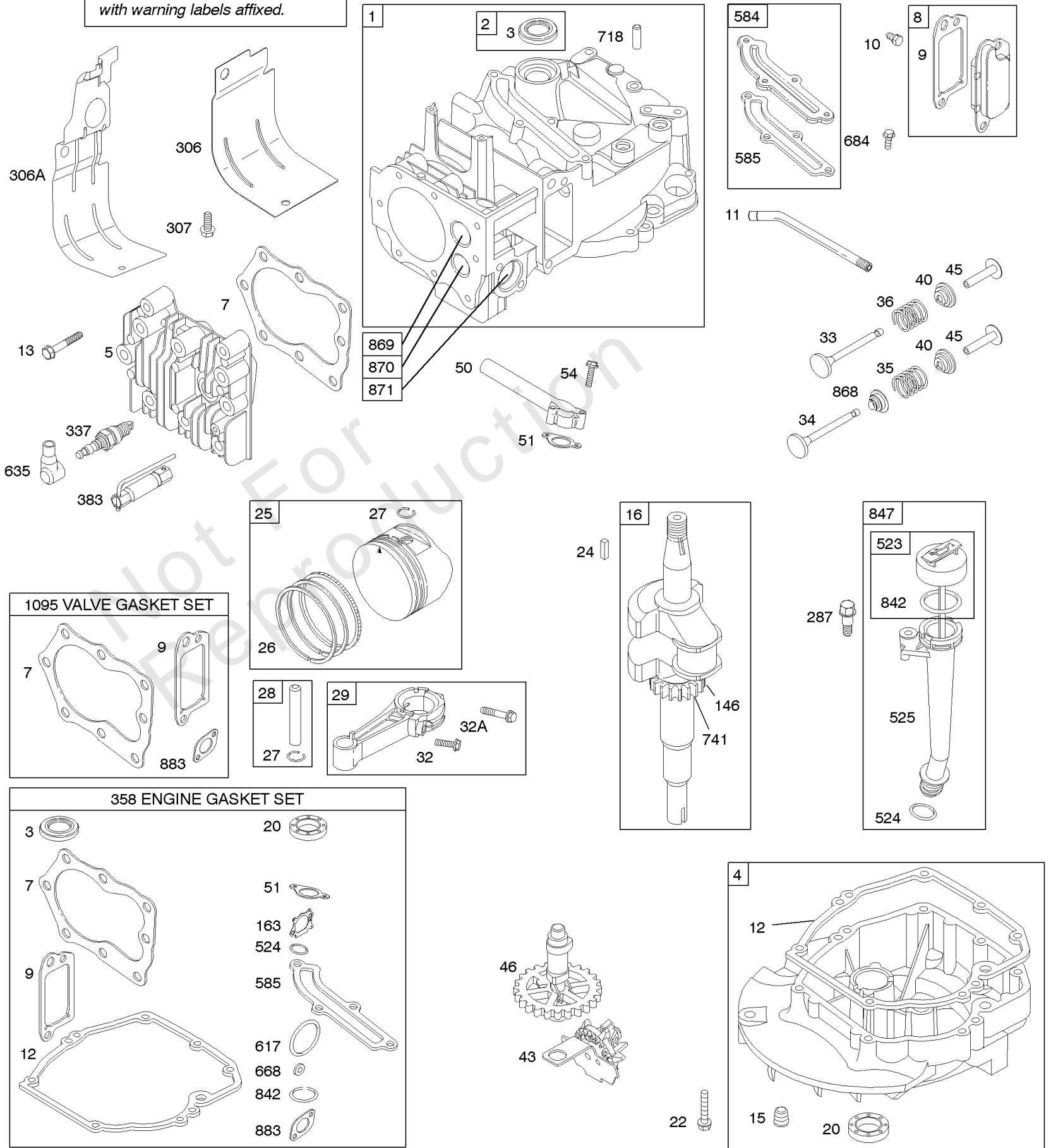
1319 WARNING LABEL

REQUIRED when replacing parts with warning labels affixed.

1058 OPERATOR'S MANUAL

1330 REPAIR MANUAL

1019 LABEL KIT



Camshaft, Crankshaft, Cylinder, Engine Sump, Kit/Gasket, Lubrication, Piston Group,

REF NO	PART NO	QTY	DESCRIPTION
32	691664		SCREW -(Connecting Rod)
32A	695759		SCREW -(Connecting Rod)
33	262651S		VALVE, Exhaust -Used Before Code Date 11070100
33	590394		VALVE-EXHAUST -Used After Code Date 11063000
34	590393		VALVE-INTAKE -Used After Code Date 11063000
34	262652S		VALVE, Intake -Used Before Code Date 11070100
35	691270		SPRING, Valve -(Intake)
36	691270		SPRING, Valve -(Exhaust)
40	692194		RETAINER, Valve
43	691997		SLINGER, Governor/Oil
45	690548		TAPPET, Valve
46	691449		CAMSHAFT
50	497465		MANIFOLD, Intake
51	272199S		GASKET, Intake
54	691650		SCREW -(Intake Manifold)
146	690979		KEY, Woodruff
163	272653S		GASKET, Air Cleaner -(Air Cleaner)
287	690940		SCREW -(Dipstick Tube)
306	690450		SHIELD, Cylinder
306A	790836		SHIELD, Cylinder
307	690345		SCREW -(Cylinder Shield)
337	799876		PLUG, Spark -Used After Code Date 11063000
337	697451		PLUG, Spark -(EMS) -Used Before Code Date 11070100
337	802592S		PLUG, Spark -(Resistor) -Used Before Code Date 11070100
358	590508		GASKET SET, Engine -Used After Code Date 11063000
358	794307		GASKET SET, Engine -Used Before Code Date 11070100
383	89838S		WRENCH-SPARK PLUG
523	499621		DIPSTICK
524	692296		SEAL-DIPSTICK TUBE -(Dipstick Tube)
525	495265		TUBE, Dipstick
584	697734		COVER-BREA PASSAGE
585	691879		GASKET-BREA PASSAGE
617	270344S		SEAL, O-Ring -(Intake Manifold)
635	66538S		BOOT, Spark PLug
668	493823		SPACER -(Includes 2)
684	690345		SCREW -(Breather Passage Cover)

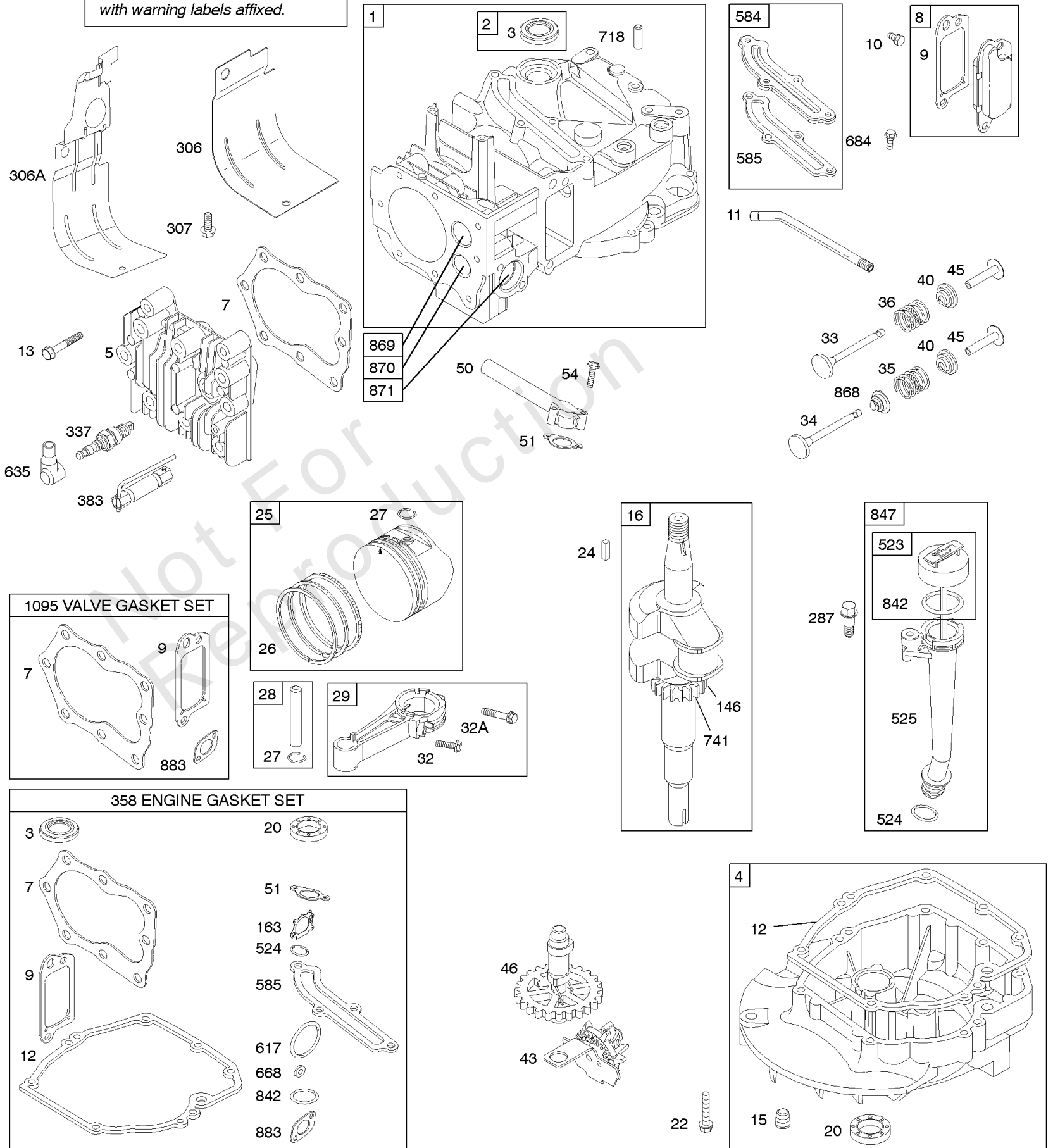
1319 WARNING LABEL

REQUIRED when replacing parts with warning labels affixed.

1058 OPERATOR'S MANUAL

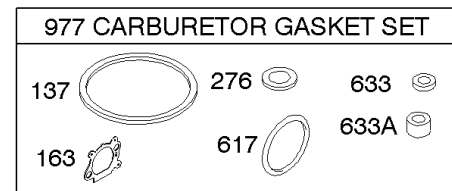
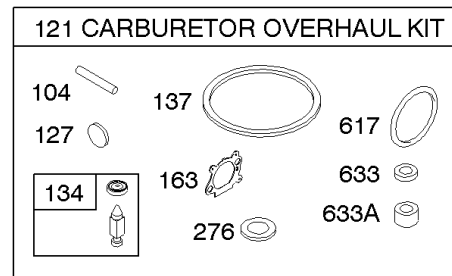
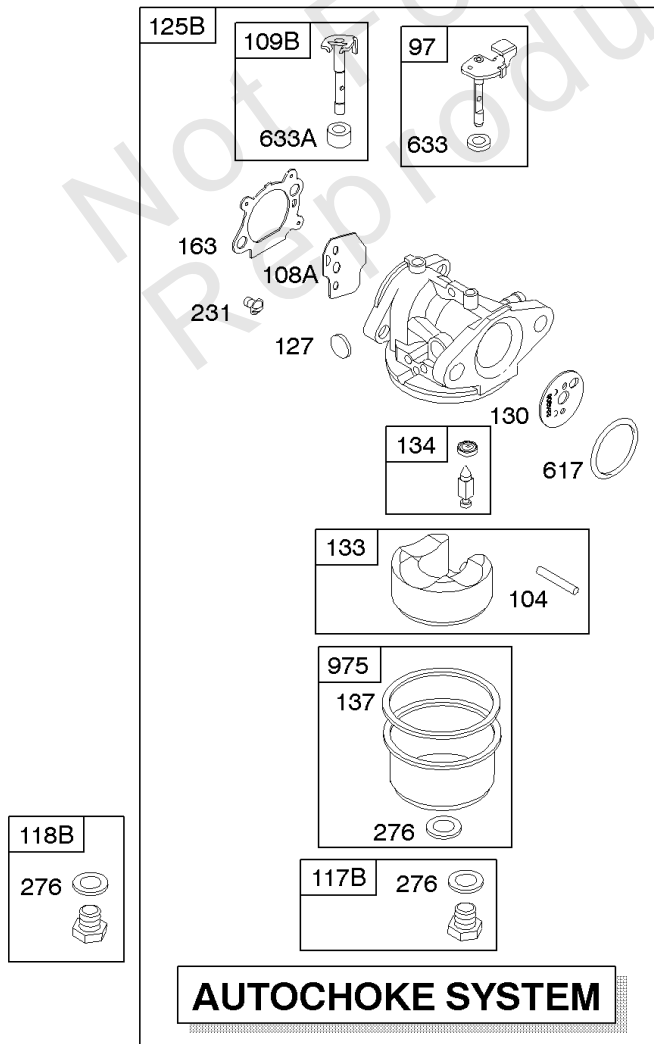
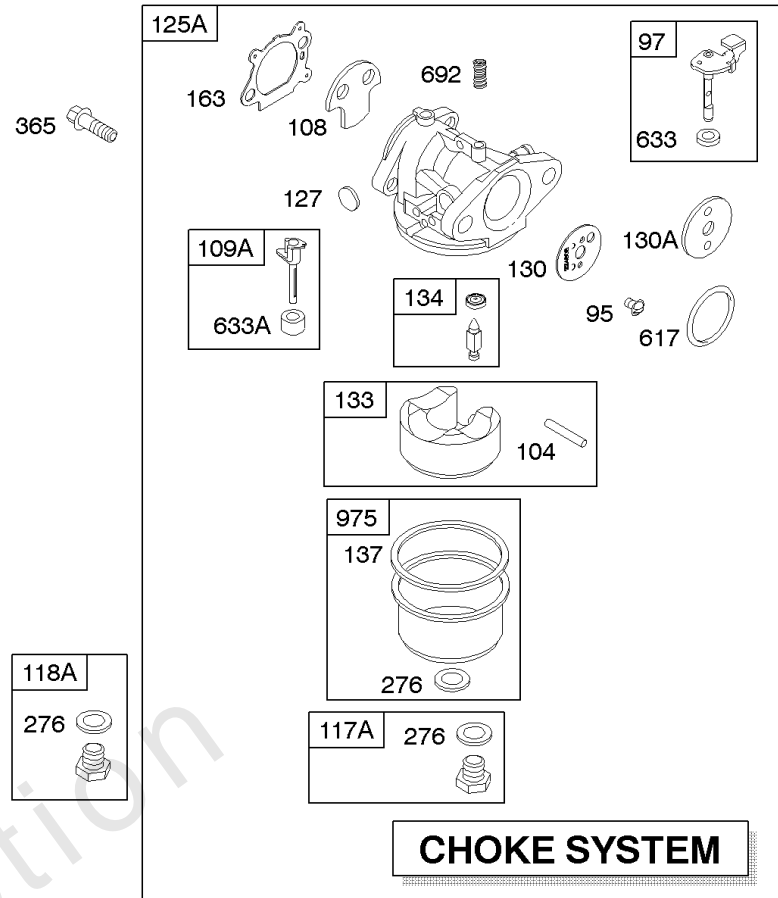
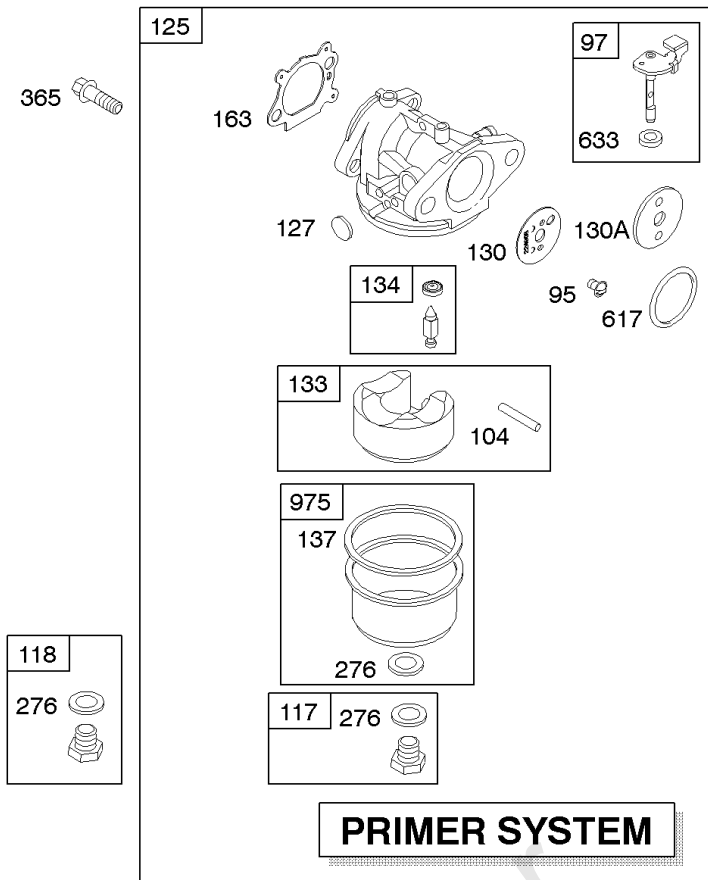
1330 REPAIR MANUAL

1019 LABEL KIT



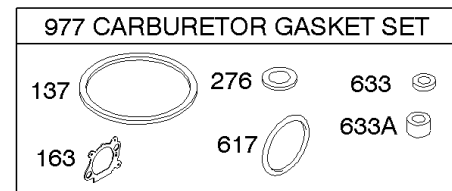
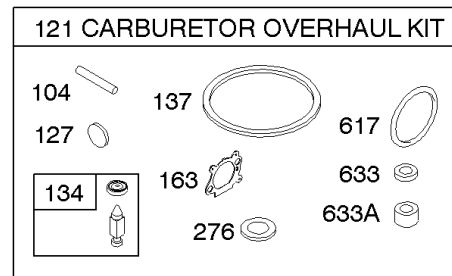
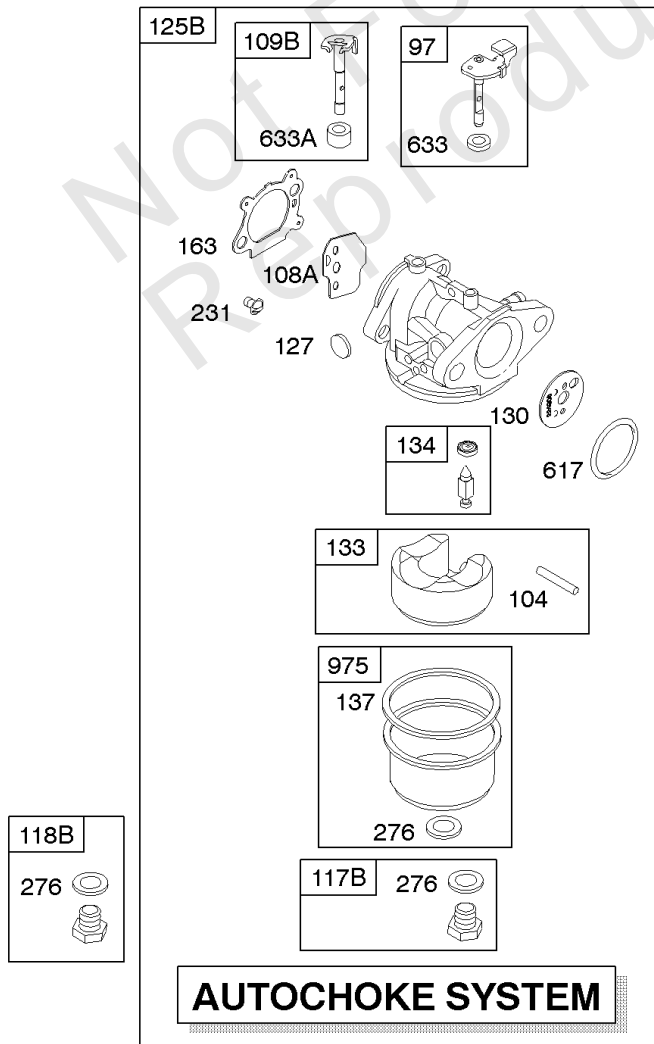
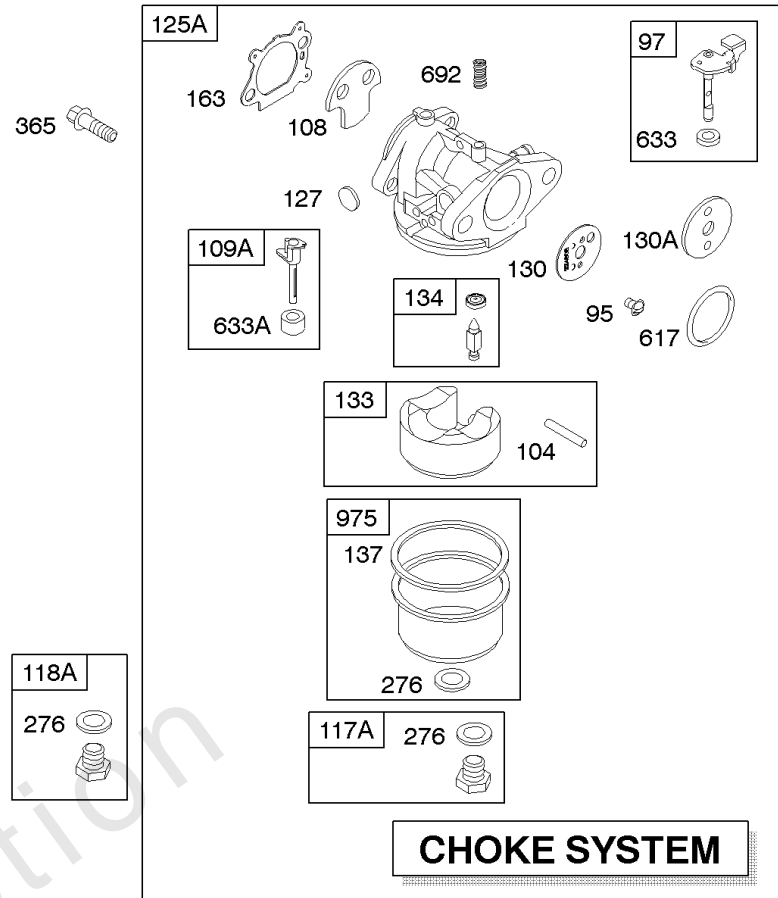
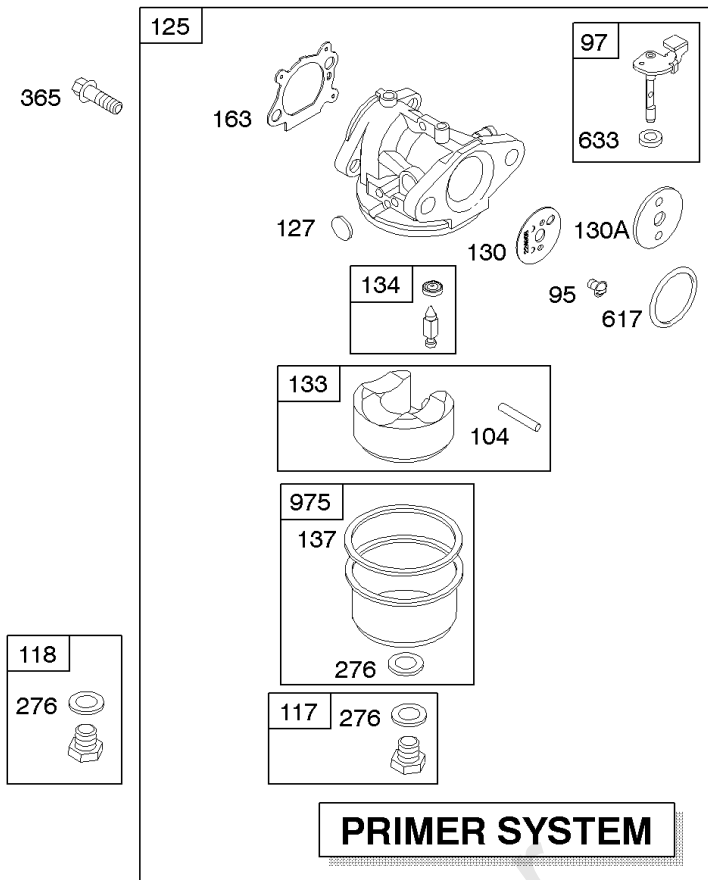
Camshaft, Crankshaft, Cylinder, Engine Sump, Kit/Gasket, Lubrication, Piston Group,

REF NO	PART NO	QTY	DESCRIPTION
718	690959		PIN, Locating
741	691830		GEAR-TIMING -(Uses Woodruff Key)
741	790345		GEAR, Timing -(Use Without Woodruff Key) -Used Before Code Date 07072300
741	794388		GEAR, Timing -(Use Without Woodruff Key) -Used After Code Date 07072200 -Used Before Code Date 08021800
741	795755		GEAR, Timing -(Plastic) -Used After Code Date 08021700
741	797521		GEAR, Timing -(Metal) -Used After Code Date 08021700
842	691031		SEAL, O-Ring -(Dipstick Tube)
847	692047		DIPSTICK/TUBE ASSY
868	697338		SEAL, Valve -Used Before Code Date 11070100
868	590410		SEAL, Valve -Used After Code Date 11063000
869	691155		SEAT, Valve -(Intake)
870	690380		SEAT, Valve -(Exhaust)
871	63709		BUSHING, Valve Guide -(Intake) -Used Before Code Date 11070100
871	590409		BUSHING, Valve Guide -Used After Code Date 11063000
871	262001		BUSHING-VALVE GUIDE -(Exhaust) -Used Before Code Date 11070100
883	691881		GASKET, Exhaust
1019	494256		KIT, Label
1019	790231		KIT, Label -(Touch N Mow)
1058	380567TRI		MANUAL, Operator's -Used After Code Date 11063000
1058	277101		MANUAL, Operator's -(Touch N Mow)
1058	277039TRI		MANUAL, Operator's -Used Before Code Date 11070100
1095	590507		GASKET SET, Valve -Used After Code Date 11063000
1095	498528		GASKET SET, Valve -Used Before Code Date 11070100
1319	794467		LABEL, Warning
1330	270962		REP MAN-1 CYL L-HD



Carburetor

REF NO	PART NO	QTY	DESCRIPTION
95	691636		SCREW -(Throttle Valve)
97	493267		SHAFT-THROTTLE -(Metal)
97	696565		SHAFT, Throttle -(Plastic)
104	691242		PIN, Float Hinge
108	691182		VALVE-CHOKE
108A	795935		VALVE, Choke -Used After Code Date 08031200
108A	790844		VALVE, Choke -Used Before Code Date 08031300
109A	498593		SHAFT, Choke
109B	790843		SHAFT, Choke -Used Before Code Date 08031300
109B	795936		SHAFT, Choke -Used After Code Date 08031200
117	498978S		JET, Main -(Standard)
117A	498978		JET, Main -(Standard)
117B	697355		JET, Main -(Standard)
118	498975		JET, Main -(High Altitude)
118A	497466		JET, Main -(High Altitude)
118B	692677		JET, Main -(High Altitude)
121	498260		KIT, Carburetor Overhaul
125	498170		CARBURETOR -(Primer)
125A	499059		CARBURETOR -(Choke)
125B	790845		CARBURETOR -(Autochoke System)
127	694468		PLUG, Welch -(Bowl Vent)
130	696564		VALVE, Throttle
130A	691203		VALVE, Throttle
133	398187		FLOAT-CARBURETOR
134	398188		KIT-NEEDLE/SEAT
137	796610		GASKET, Float Bowl
137	693981		GASKET-FLOAT BOWL -(1/16)
163	272653S		GASKET, Air Cleaner -(Air Cleaner)
231	691636		SCREW -(Choke Valve)
276	271716		WASHER-SEALING -(Main Jet)
365	691688		SCREW -(Carburetor)
617	270344S		SEAL, O-Ring -(Intake Manifold)
633	691321		SEAL-CHOKE/THR SHAFT -(Throttle Shaft)
633A	693867		SEAL, Choke/Throttle Shaft



Carburetor

REF NO	PART NO	QTY	DESCRIPTION
692	690572		SPRING, Detent
975	493640		BOWL, Float
977	498261		SET, Carburetor Gasket

Not For Reproduction

Replacement Engine - US & Canada

REF NO	PART NO	QTY	DESCRIPTION
	104M020197F1	1	Replacement Engine
	792738	1	Replacement Short Block
	-----		Top No-Load Speed: 3100 -Trim: ALL

Not For Reproduction

