



# Parts Manual

Mfg. No: 10D902-0129-B1



---

<b>Model Components</b>	<b>Page</b>
Air Cleaner, Controls, Governor Spring, Ignition.....	4
Blower Housing/Shrouds, Flywheel, Rewind Starter.....	6
Brake, Exhaust System.....	8
Camshaft, Crankcase Cover/Sump, Crankshaft, Piston/Rings/Connecting Rod.....	10
Carburetor, Fuel Supply.....	14
Cylinder, Cylinder Head, Gasket Set - Engine, Gasket Set - Valve, Lubrication, Operator's Manual, Warning	16
Replacement Engine - US & Canada.....	20

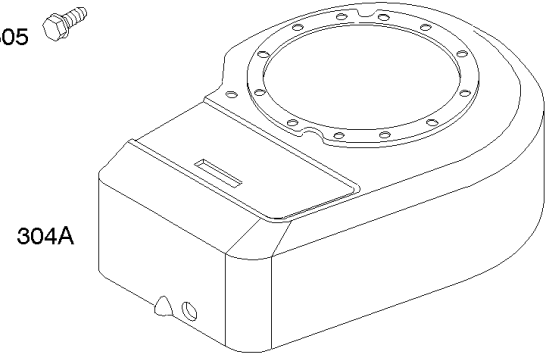
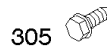
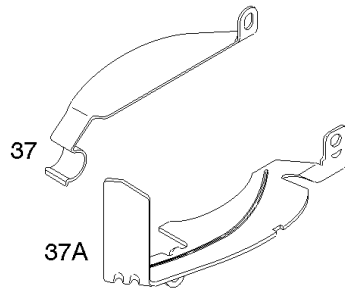
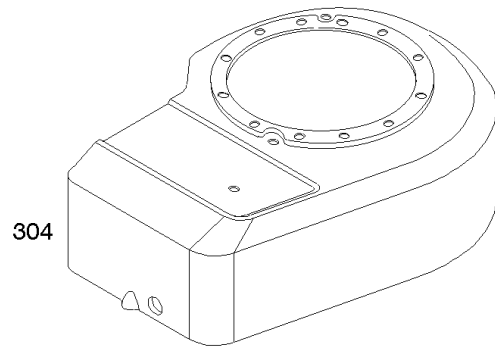
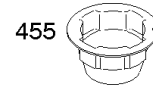
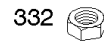
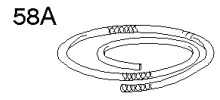
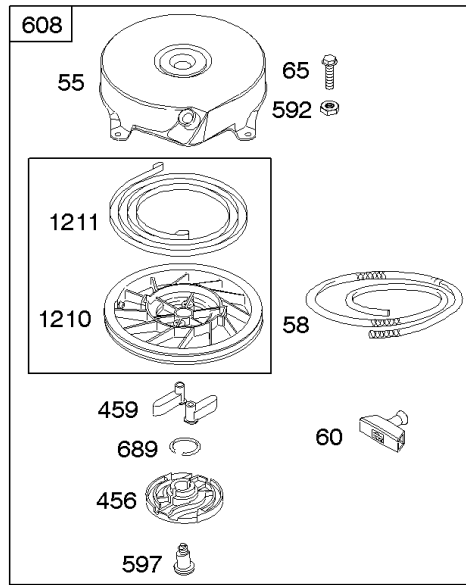
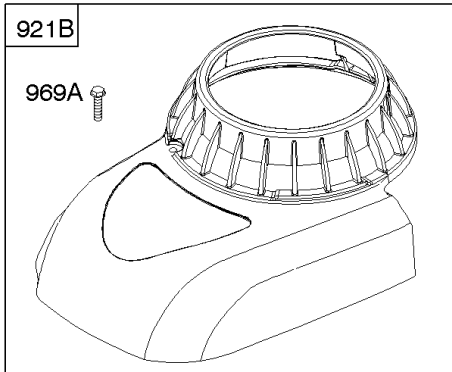
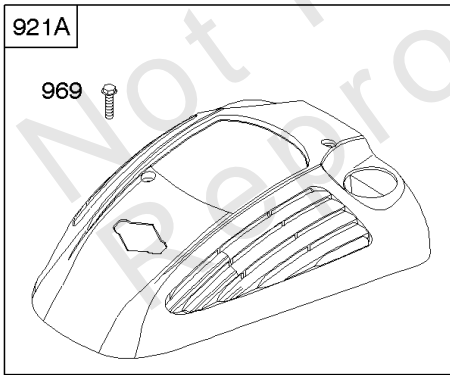
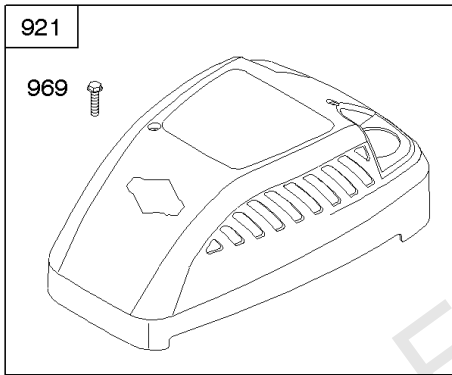
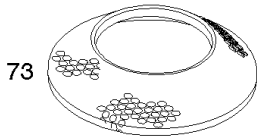
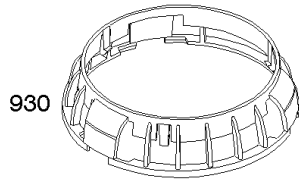
Not For  
Reproduction



## ***Air Cleaner, Controls, Governor Spring, Ignition***

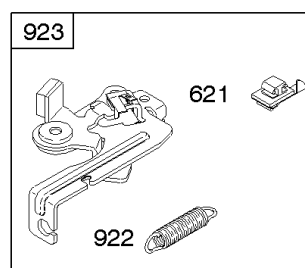
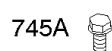
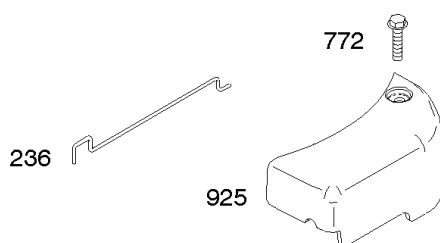
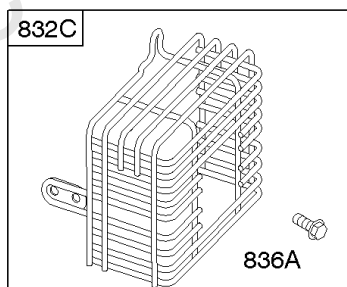
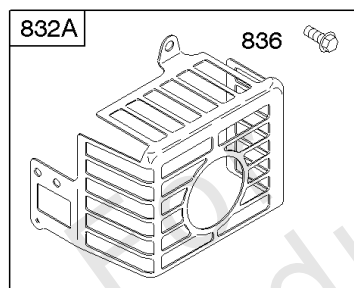
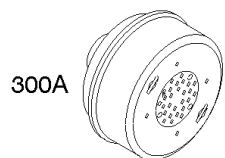
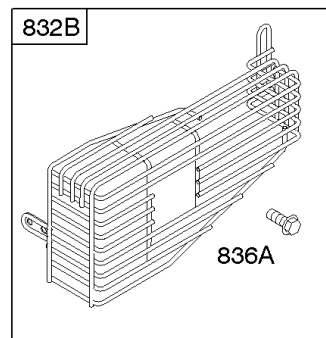
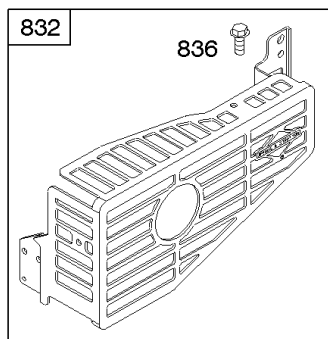
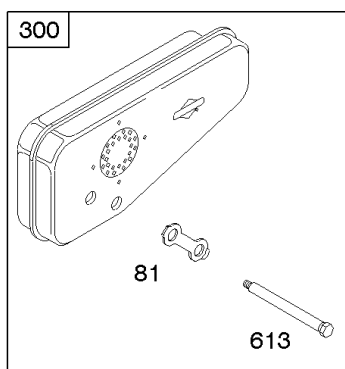
<b>REF NO</b>	<b>PART NO</b>	<b>QTY</b>	<b>DESCRIPTION</b>
24	222698S		KEY, Flywheel
163	271139S		GASKET, Air Cleaner -(Air Cleaner)
188	692198		SCREW -(Control Bracket)
201	690347		LINK, Air Vane
209	690254		SPRING-GOVERNOR -(Light Blue)
211	691859		SPRING, Governed Idle
222A	691446		BRACKET-CONTROL
265A	690798		CLAMP, Casing
267	691044		SCREW -(Casing Clamp)
268	691025		CASING, Control Wire -(72" Long)(Cut To Required Length)
269	691026		WIRE, Control -(78" Long)(Cut To Required Length)
270	691027		NUT -(Control Wire Casing)
271	691028		LEVER, Control
333	793281		ARMATURE, Magneto
334	691061		SCREW -(Magneto Armature) (1" Long)
335	691107		SCREW -(Magneto Armature With Air Vane) (1 15/16 )
356	692390		WIRE, Stop
362	793351		SHIELD-SPARK PLUG
534	691417		SCREW -(Air Cleaner)
535	272235S		FILTER, Air Cleaner Foam -Used Before Code Date 02110600
535A	698369		FILTER, Air Cleaner Foam -Used After Code Date 02110500
536	698472		CLEANER, Air
621	692310		SWITCH, Stop
635	66538S		BOOT, Spark PLug
643	691911		RETAINER, Air Filter -Used Before Code Date 02110600
851	493880S		TERMINAL-SPARK PLUG
851A	692424		TERMINAL, Spark Plug

1036 EMISSIONS LABEL



## Blower Housing/Shrouds, Flywheel, Rewind Starter

REF NO	PART NO	QTY	DESCRIPTION
23	795549		FLYWHEEL
37	690482		GUARD, Flywheel -(Carburetor Side)
37A	691209		GUARD-FLYWHEEL -(Muffler Side)
55	692144		HOUSING, Rewind Starter
58	697316		ROPE, Starter -(88 5/8 )
60	691915		GRIP, Starter Rope
65	690837		SCREW -(Rewind Starter)
73	699850		SCREEN, Rotating
78	692198		SCREW -(Flywheel Guard)
304	692536		HOUSING, Blower -(Non Compliance Engines)
304	691484		HOUSING, Blower -(Compliance Engines)
305	692198		SCREW -(Blower Housing)
332	690662		NUT -(Flywheel)
363	19069		PULLER, Flywheel
455	691236		CUP, Flywheel
456	692299		PLATE-PAWL FRICTION
459	281505S		PAWL-RATCHET
592	690800		NUT -(Rewind Starter)
597	691696		SCREW -(Pawl Friction Plate)
608	499706		STARTER, Rewind -(88 5/8 Rope)
689	691855		SPRING-FRICTION
930	691348		GUARD, Rewind
969	694046		SCREW -(Blower Housing)
1036	-----		Label-Emissions -(Available From A Briggs & Stratton Authorized Dealer)
1210	499901		PULLEY/SPRING ASSY -(Pulley)
1211	499901		PULLEY/SPRING ASSY -(Spring)



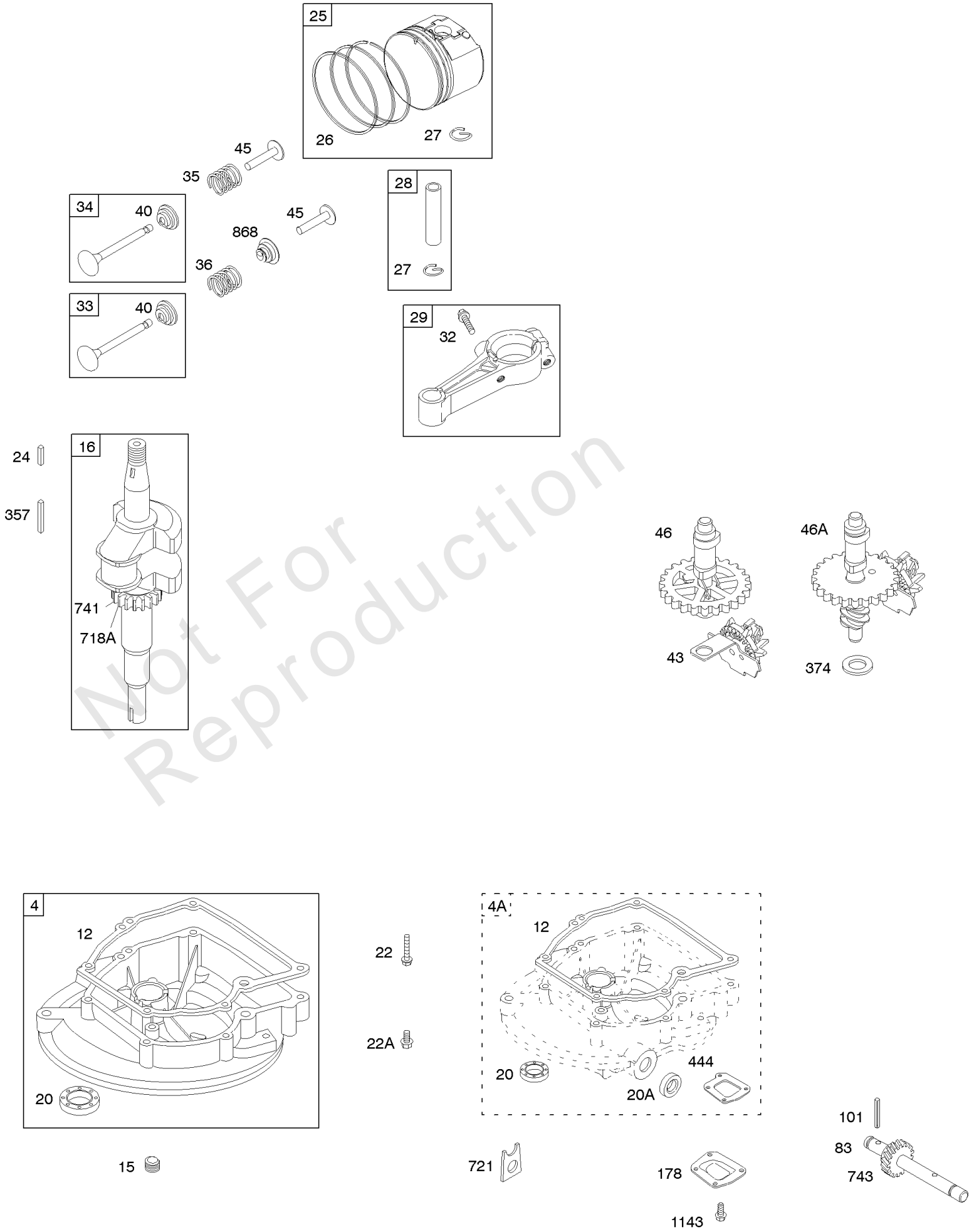


## Brake, Exhaust System

REF NO	PART NO	QTY	DESCRIPTION
81	691179		LOCK, Muffler Screw
300	692307		MUFFLER -(Super Lo Tone)
300A	394569S		MUFFLER -(Round Lo Tone)
613	691413		SCREW -(Muffler)
621	692310		SWITCH, Stop
729	690586		CLIP, Wire
745	691146		SCREW -(Brake) (7/8 )
745A	690859		SCREW -(Brake) (1/2 )
772	691111		SCREW -(Linkage Cover) (1 1/8 )
832	699299		GUARD, Muffler
832A	699670		GUARD-MUFFLER
832B	790743		GUARD, Muffler
836	690664		SCREW -(Muffler Guard) (13/32 )
836A	790745		SCREW -(Muffler Guard) (1/2 )
836B	691125		SCREW -(Muffler Guard) (5/8 ) -Used After Code Date 04082200
922	692135		SPRING, Brake
923	691487		BRAKE
925	691349		COVER, Linkage

# Camshaft, Crankcase Cover/Sump, Crankshaft, Piston/Rings/Connecting Rod

Mfg. No: 10D902-0129-B1

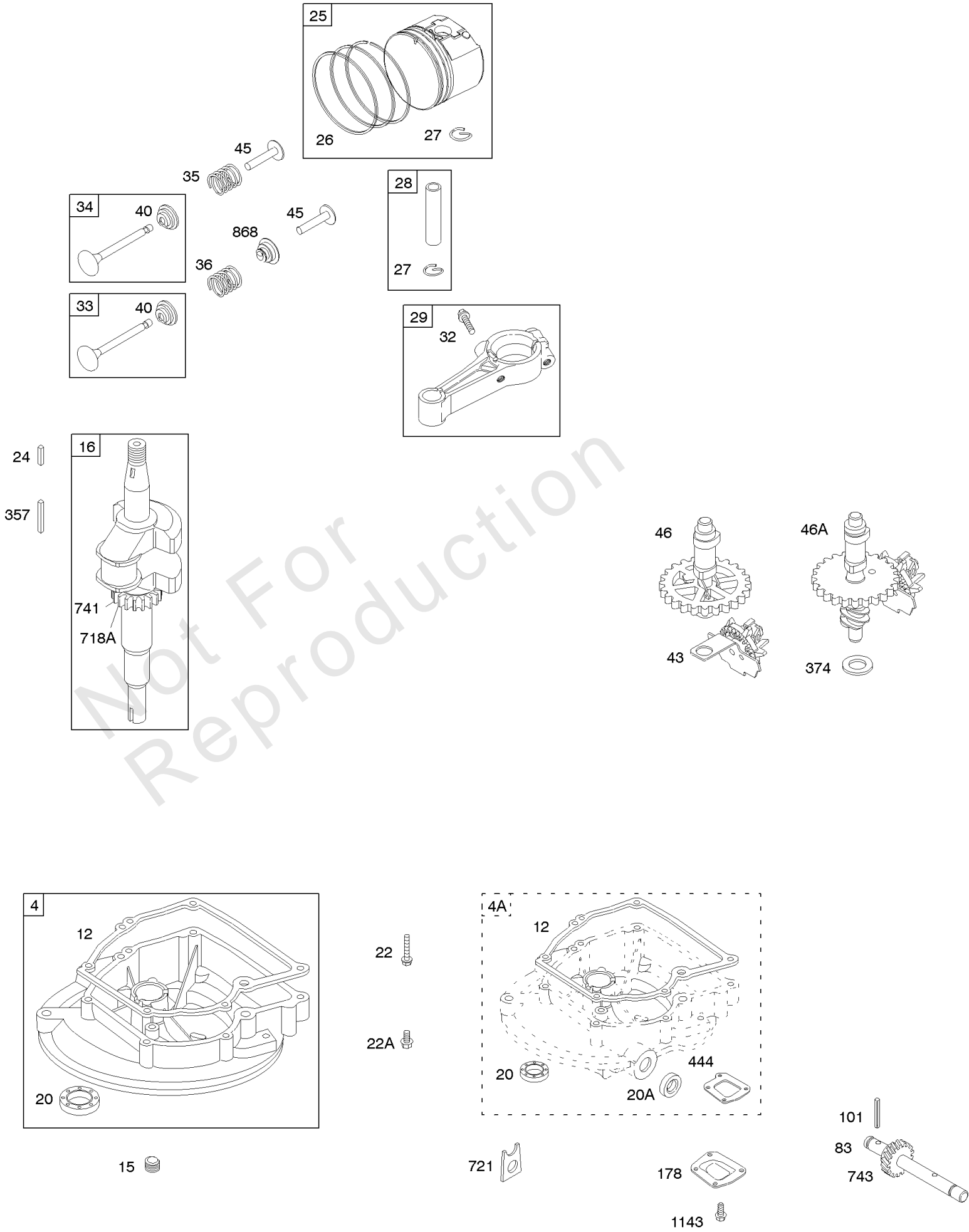


## Camshaft, Crankcase Cover/Sump, Crankshaft, Piston/Rings/Connecting Rod

REF NO	PART NO	QTY	DESCRIPTION
4	395384		SUMP, Engine -Used Before Code Date 02111300
4	698691		SUMP, Engine -Used After Code Date 02111200
12	270895		GASKET, Crankcase -(.005)
12	270896		GASKET, Crankcase -(.009)
12	692218		GASKET, Crankcase -(.015)(Standard)
15	691680		PLUG, Oil Drain
16	691471		CRANKSHAFT
20	391483S		SEAL, Oil -(PTO Side)
22	692551		SCREW -(Crankcase Cover/Sump) (1 1/4 )
22A	691108		SCREW -(Crankcase Cover/Sump) (19/32" Long)
24	222698S		KEY, Flywheel
25	790908		PISTON ASSEMBLY -(Standard) -Used After Code Date 04111400
25	792532		PISTON ASSEMBLY -(.020 Oversize) -Used After Code Date 04111400
25	699657		PISTON ASSEMBLY -(Standard) -Used Before Code Date 04111500
26	498680		RING SET-STD -(Standard) -Used Before Code Date 03100100
26	498682		SET, Ring -(.020 Oversize) -Used Before Code Date 03100100
26	498683		SET, Ring -(.030 Oversize) -Used Before Code Date 03100100
26	699658		SET, Ring -(Standard) -Used After Code Date 03093000 -Used Before Code Date 04111500
26	795132		SET, Ring -(Standard) -Used After Code Date 04111400
26	795134		SET, Ring -(.020 Oversize) -Used After Code Date 04111400
27	691588		LOCK, Piston Pin
28	298909		PIN, Piston -(Standard) -Used Before Code Date 03100100
28	699659		PIN, Piston -(Standard) -Used After Code Date 03093000
28	298908		PIN, Piston -(.005 Oversize) -Used Before Code Date 03100100
29	699654		ROD-CONNECTING
32	691664		SCREW -(Connecting Rod)
33	296676		VALVE, Exhaust -(Grooved Stem-Includes Retainer)

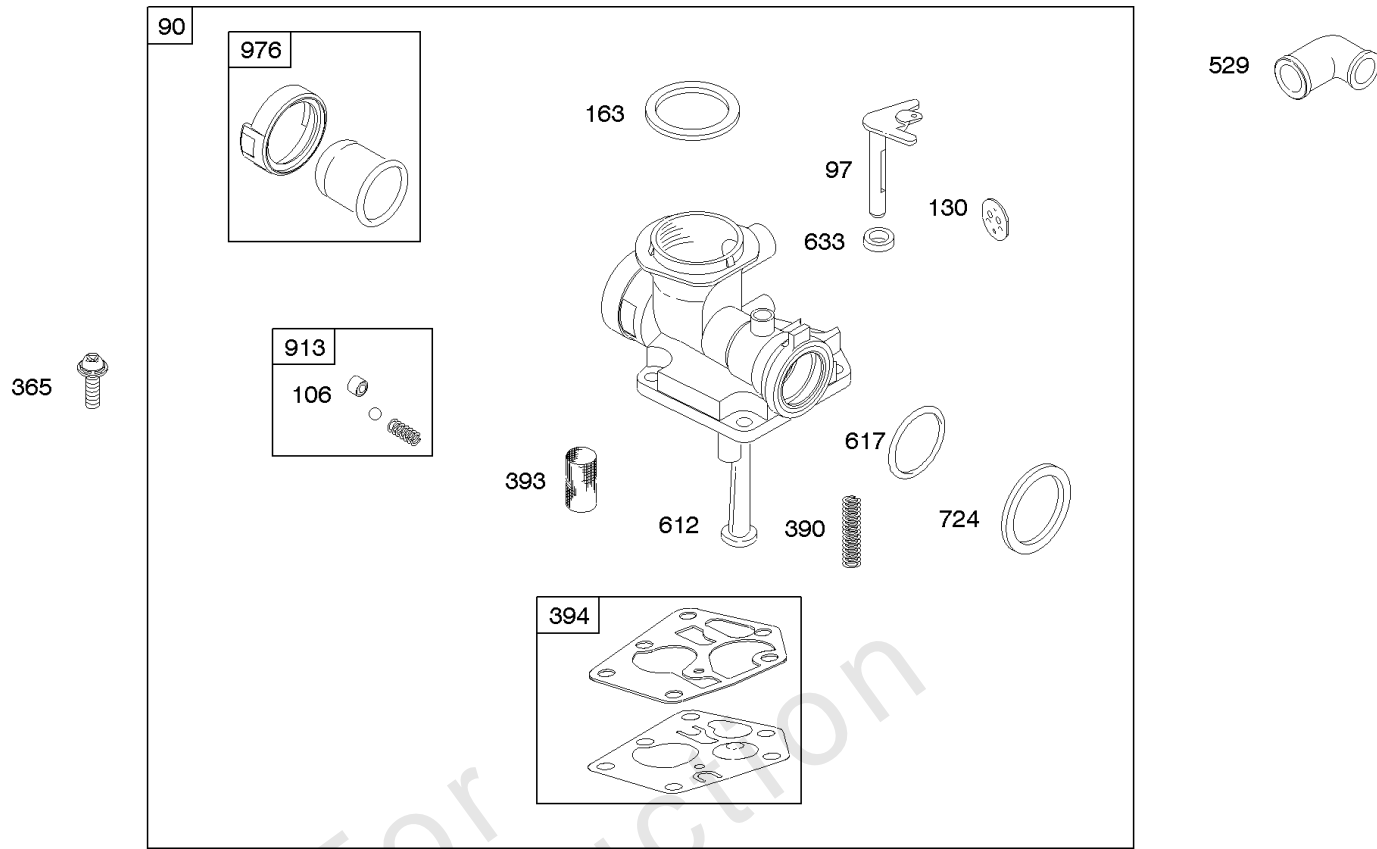
# Camshaft, Crankcase Cover/Sump, Crankshaft, Piston/Rings/Connecting Rod

Mfg. No: 10D902-0129-B1

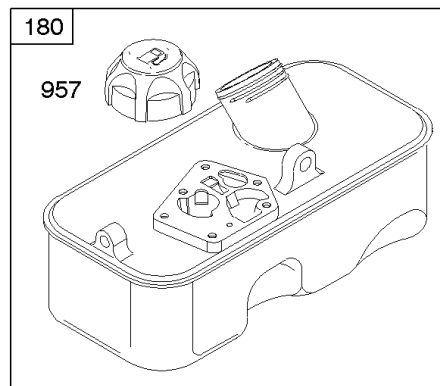
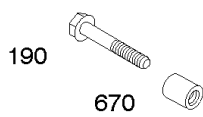
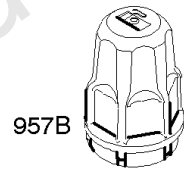


## Camshaft, Crankcase Cover/Sump, Crankshaft, Piston/Rings/Connecting Rod

REF NO	PART NO	QTY	DESCRIPTION
34	296677		VALVE, Intake -(Grooved stem-includes Retainer)
35	690520		SPRING-VALVE -(Intake)
36	690520		SPRING-VALVE -(Exhaust)
40	692194		RETAINER, Valve
43	691983		SLINGER, Governor/Oil -Used Before Code Date 02110500
43	698690		SLINGER-GOVERNOR/OIL -Used After Code Date 02110400
45	691762		TAPPET, Valve
46	691998		CAMSHAFT
444	691868		GASKET, Drive Gear Cover
718A	499047		PIN, Locating -(Crankshaft)
741	691805		GEAR, Timing
868	697338		SEAL, Valve
1143	691141		SCREW -(Drive Gear Cover)

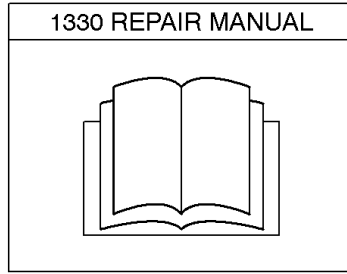
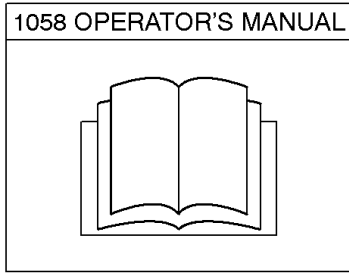


Not For  
Reproduction



## Carburetor, Fuel Supply

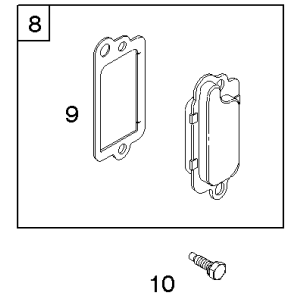
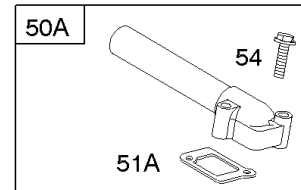
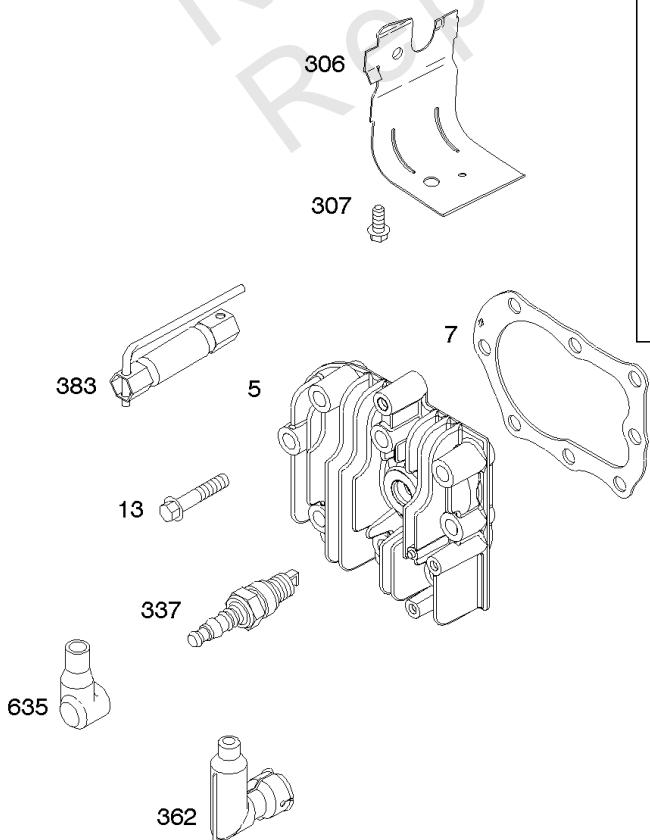
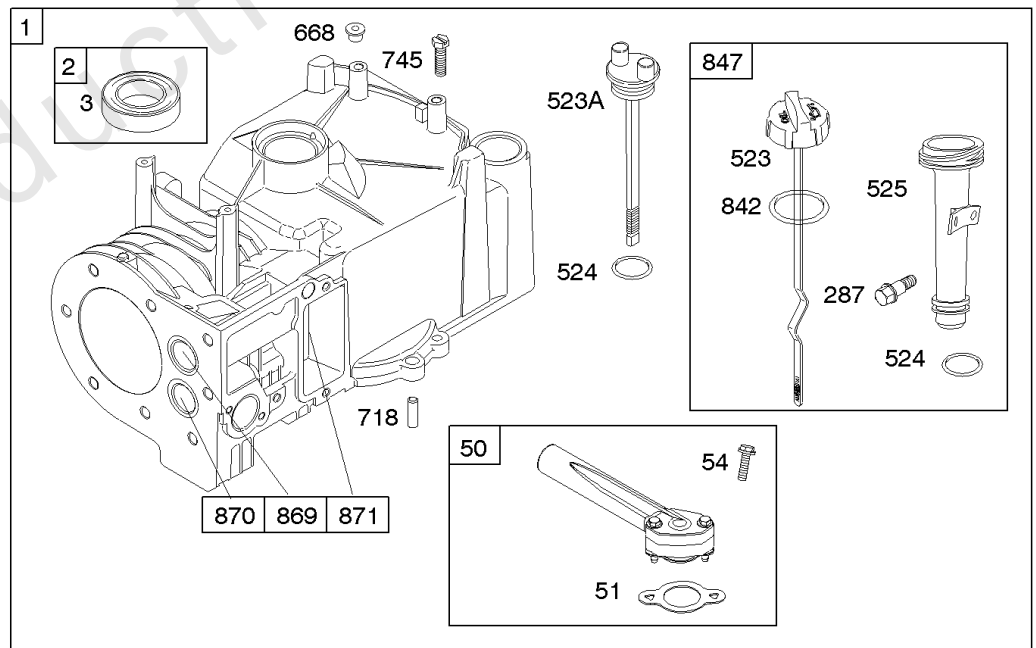
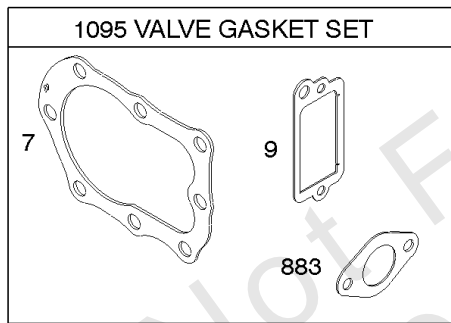
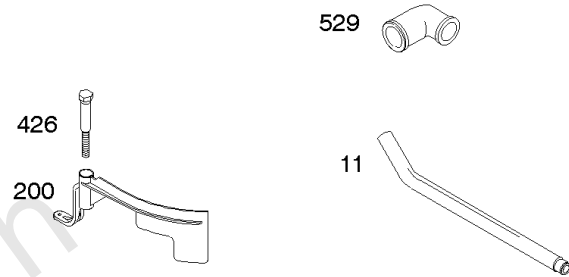
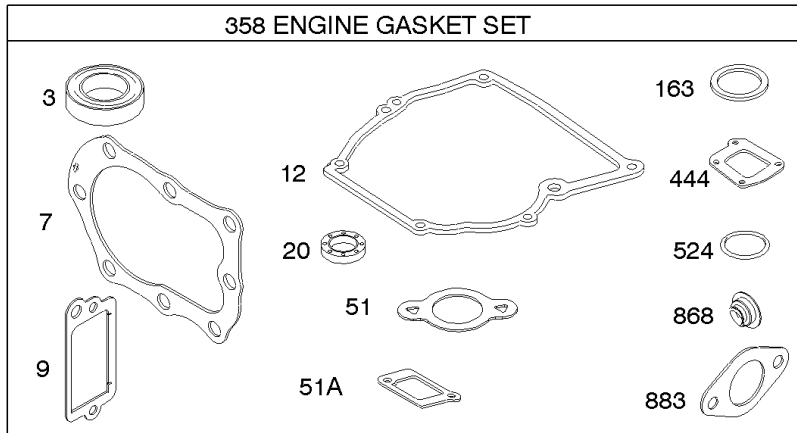
REF NO	PART NO	QTY	DESCRIPTION
90	795477		CARBURETOR
97	691931		SHAFT, Throttle
106	691901		SEAT, Inlet
130	691190		VALVE, Throttle
163	271139S		GASKET, Air Cleaner -(Air Cleaner)
180	494406		TANK, Fuel -(Metal)
190	691640		SCREW -(Fuel Tank) (1 3/4 )
190A	691108		SCREW -(Fuel Tank) (9/16" Long)
365	790029		SCREW -(Carburetor)
390	691839		SPRING-CHOKE DIAPH
393	691837		SCREEN, Carburetor
394	795083		DIAPHRAGM, Carburetor
529	692189		GROMMET
612	496046S		TUBE-PICK UP
617	270344S		SEAL, O-Ring -(Intake Manifold)
633	691321		SEAL-CHOKE/THR SHAFT -(Throttle)
670	691633		SPACER, Fuel Tank
724	697478		RETAINER, Seal
913	494409		SEAT, Valve
957	497929S		CAP, Fuel Tank -(Plastic) (Black)
957B	792878		CAP, Fuel Tank -(Plastic)
976	694394		PRIMER-CARBURETOR



1319 WARNING LABEL

	<b>WARNING</b>
	Read and follow Operating Instructions before running engine.
	Gasoline is flammable. Allow engine to cool at least 2 minutes before refueling.
	Engines emit carbon monoxide, DO NOT run in enclosed area.
	Muffler area temperature may exceed 150°F. Do not touch hot parts.

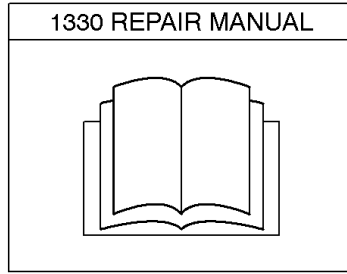
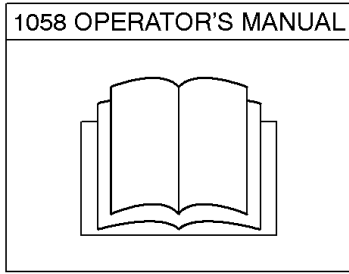
**REQUIRED** when replacing parts with warning labels affixed.





## Cylinder, Cylinder Head, Gasket Set - Engine, Gasket Set - Valve, Lubrication, Operator's

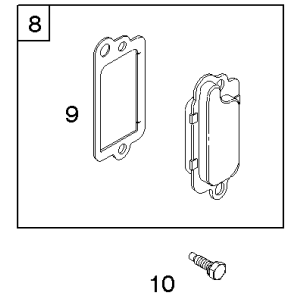
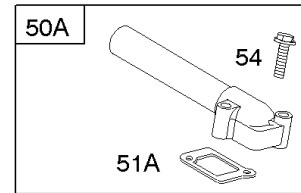
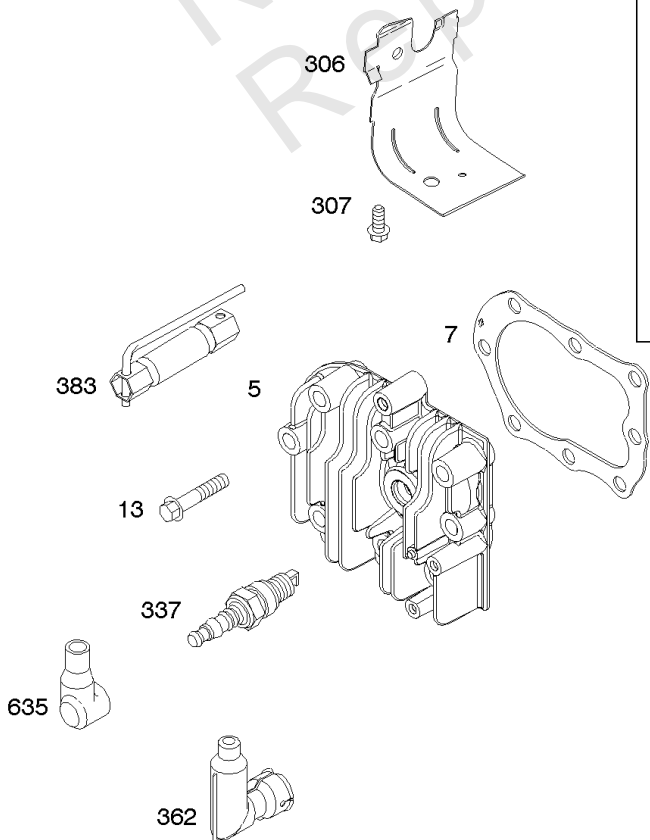
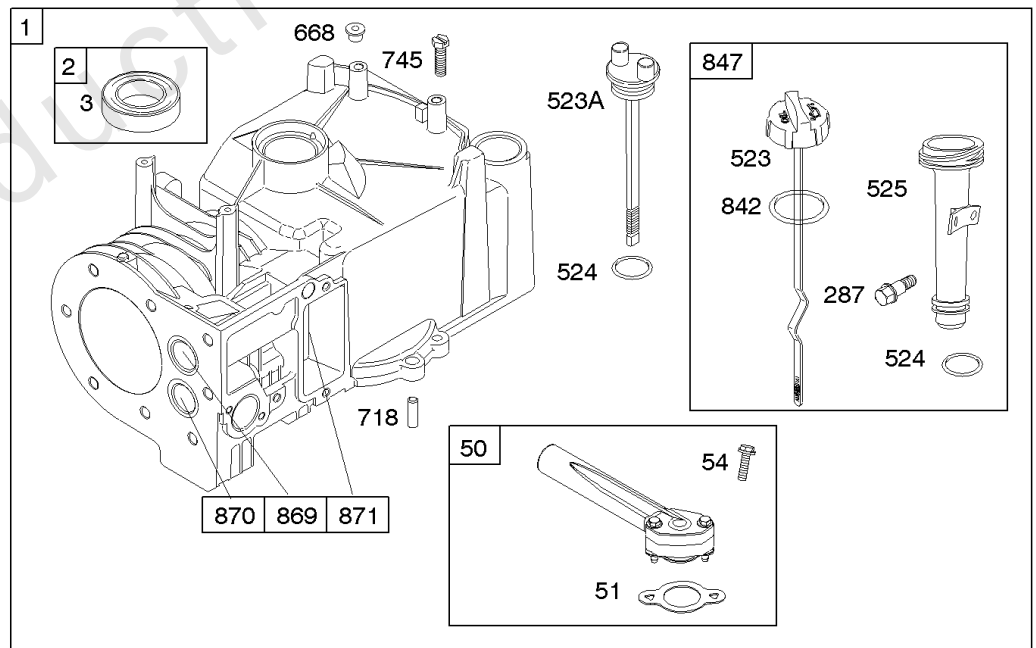
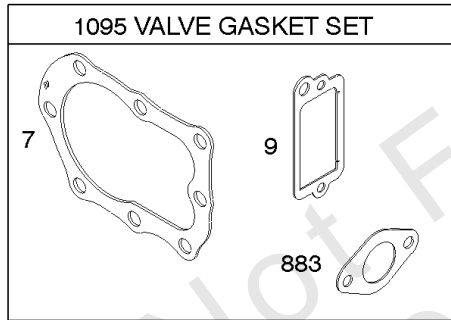
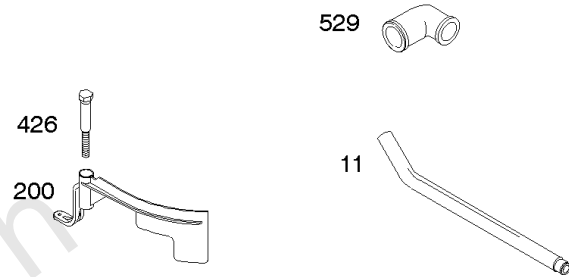
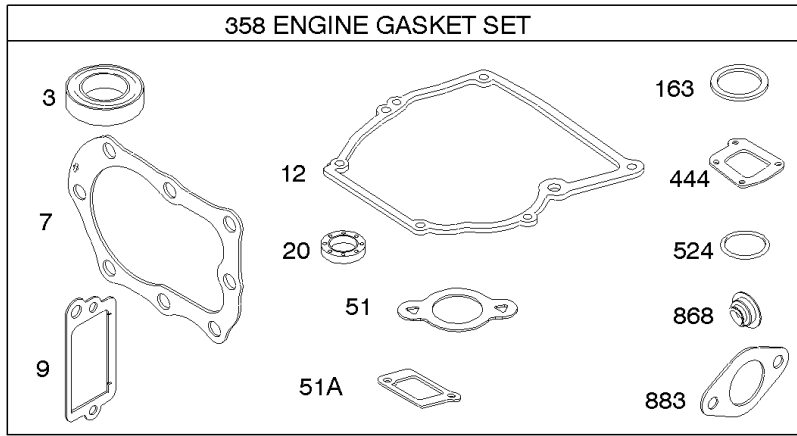
REF NO	PART NO	QTY	DESCRIPTION
1	699653		CYLINDER ASSEMBLY
2	399269		KIT, Bushing/Seal -(Magneto Side)
3	299819S		SEAL, Oil -(Magneto Side)
5	790169		HEAD, Cylinder
7	698717		GASKET-CYL HD
8	791781		BREATHER ASSEMBLY
9	695890		GASKET-BREATHER
10	691666		SCREW -(Breather Assembly)
11	691245		TUBE, Breather
12	270896		GASKET, Crankcase -(.009)
12	692218		GASKET, Crankcase -(.015)(Standard)
12	270895		GASKET, Crankcase -(.005)
13	691640		SCREW -(Cylinder Head)
20	391483S		SEAL, Oil -(PTO Side)
50	699644		MANIFOLD, Intake -Used After Code Date 03080300
50A	693446		MANIFOLD-INTAKE -Used Before Code Date 03080400
51	699649		GASKET, Intake -Used After Code Date 03080300
51A	270345S		GASKET, Intake -Used Before Code Date 03080400
54	691111		SCREW -(Intake Manifold)
163	271139S		GASKET, Air Cleaner -(Air Cleaner)
200	691912		BLADE, Governor
287	691002		SCREW -(Dipstick Tube)
306	690400		SHIELD, Cylinder -Used Before Code Date 04071400
307	690345		SCREW -(Cylinder Shield) -Used Before Code Date 04071400
337	802592S		PLUG, Spark -(Resistor)
358	794209		GASKET SET, Engine
362	793351		SHIELD-SPARK PLUG
383	89838S		WRENCH-SPARK PLUG
426	691107		SCREW -(Governor Blade)
444	691868		GASKET, Drive Gear Cover
523	692040		DIPSTICK
523A	691913		DIPSTICK
524	691876		SEAL, O-Ring
525	691320		TUBE, Dipstick
529	692189		GROMMET
635	66538S		BOOT, Spark PLug
668	692889		SPACER -(Cylinder)



1319 WARNING LABEL

	<b>WARNING</b>
	Read and follow Operating Instructions before running engine.
	Gasoline is flammable. Allow engine to cool at least 2 minutes before refueling.
	Engines emit carbon monoxide, DO NOT run in enclosed area.
	Muffler area temperature may exceed 150°F. Do not touch hot parts.

**REQUIRED** when replacing parts with warning labels affixed.



## Cylinder, Cylinder Head, Gasket Set - Engine, Gasket Set - Valve, Lubrication, Operator's

REF NO	PART NO	QTY	DESCRIPTION
718	690959		PIN, Locating -(Cylinder)
745	691146		SCREW -(Brake) (7/8 )
842	691870		SEAL, O-Ring -(Dipstick Tube)
847	691440		DIPSTICK/TUBE ASSY
868	697338		SEAL, Valve
869	691701		SEAT-VALVE -(Intake) -Used Before Code Date 03080400
869	699641		SEAT, Valve -(Intake) -Used After Code Date 03080300
870	699642		SEAT, Valve -(Exhaust) -Used After Code Date 03080300
870	691702		SEAT, Valve -(Exhaust) -Used Before Code Date 03080400
871	231348		BUSHING-VALVE GUIDE -(Exhaust) -Used Before Code Date 03080400
871	699643		BUSHING, Valve Guide -(Exhaust) -Used After Code Date 03080300
871	63709		BUSHING, Valve Guide -(Intake)
883	691880		GASKET-EXHAUST
1058	277038		MANUAL, Operator's
1095	498526		GASKET SET, Valve
1319	794467		LABEL, Warning
1330	270962		REP MAN-1 CYL L-HD

## Replacement Engine - US & Canada

REF NO	PART NO	QTY	DESCRIPTION
	10T8020016	1	Replacement Engine
	398211	1	Replacement Short Block
-----			Top No-Load Speed: 2900 -Trim: ALL
-----			Service Note: Replacement engine listed is not available in the State of California. Repair with Short Block and individual parts.
-----			Service Note: Transfer Muffler and/or Spark Arrester Assembly from the original engine if suitable for additional service or add new parts as required

Not For Reproduction

