

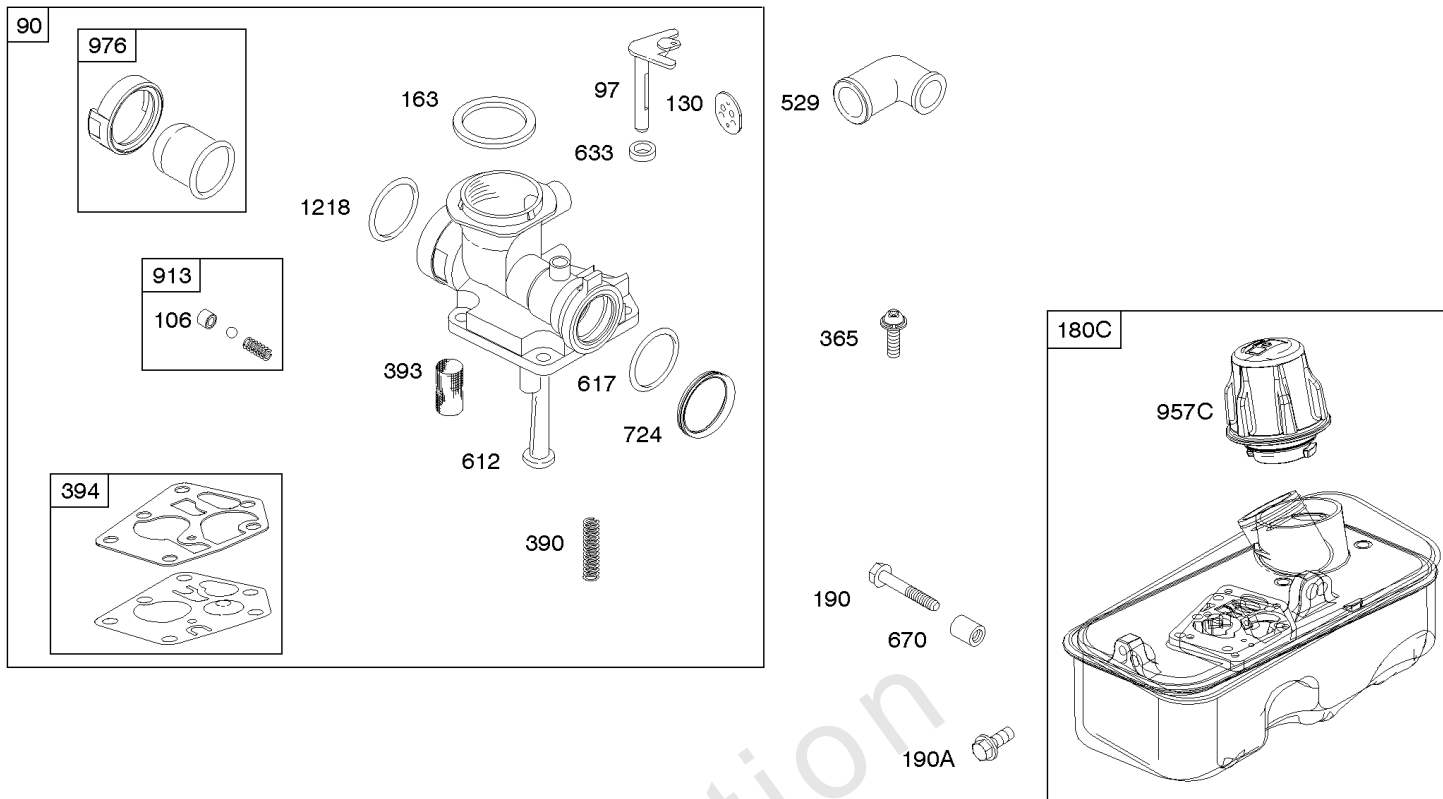


Parts Manual

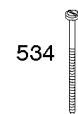
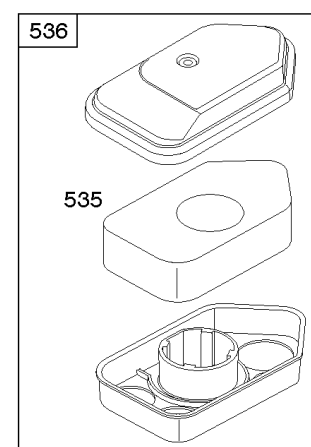
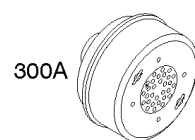
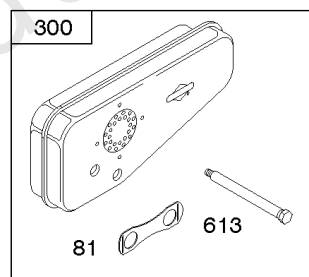
Mfg. No: 09L602-1611-F1

| Model Components | Page |
|--|-------------|
| Air Cleaner, Carburetor, Exhaust System, Fuel Supply. | 4 |
| Blower Housing/Shrouds, Flywheel, Rewind Starter. | 6 |
| Brake, Controls, Covers, Governor Spring, Ignition. | 8 |
| Camshaft, Crankcase Cover/Sump, Crankshaft, Gasket Set - Engine, Gasket Set - Valve, Piston/Rings/ | 10 |
| Cylinder, Cylinder Head, Lubrication, Warning Label. | 12 |
| Replacement Engine - US & Canada. | 14 |

Not For
Reproduction

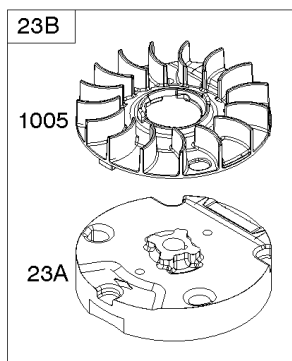
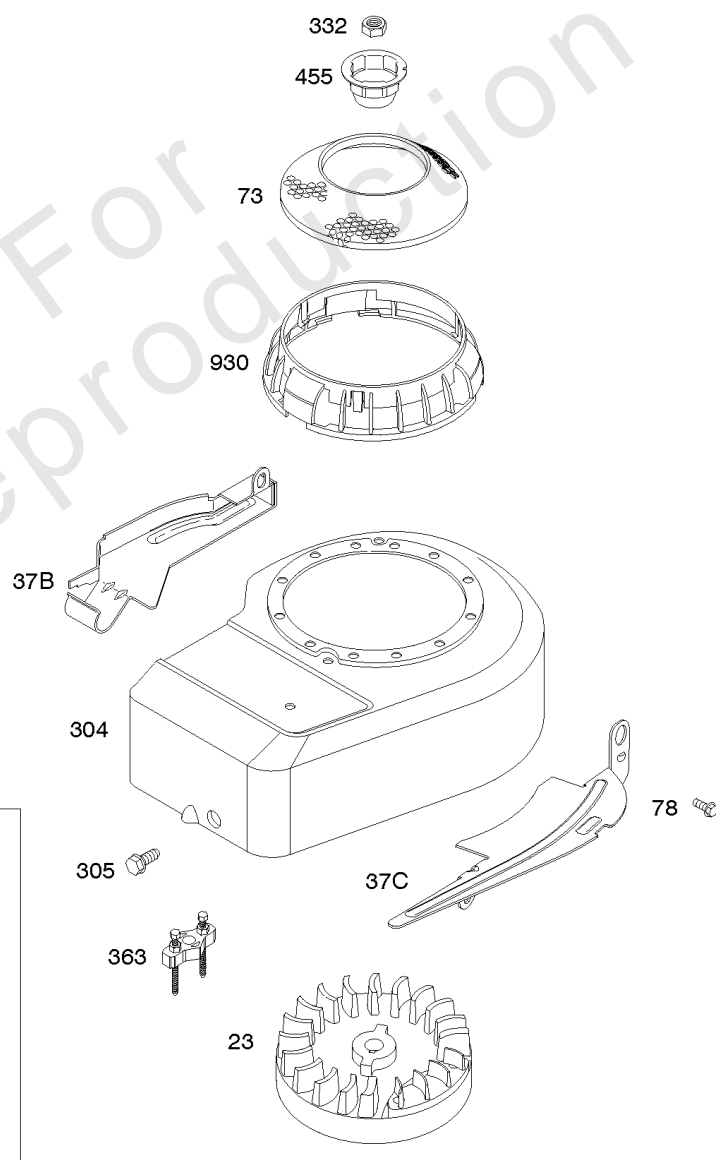
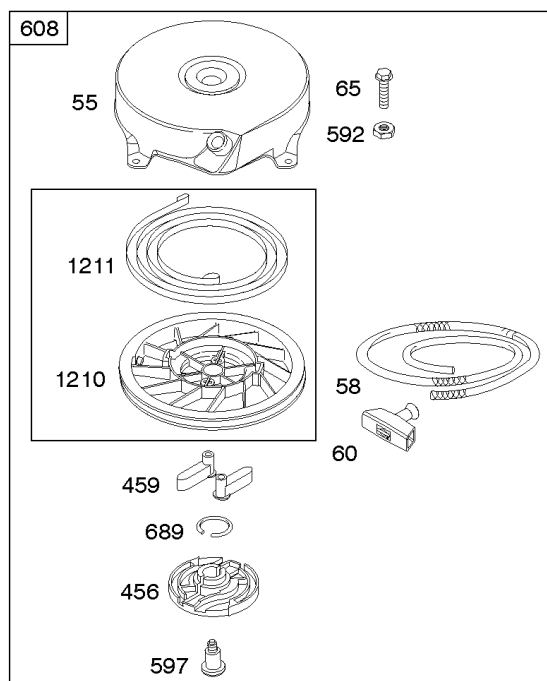


Not For
Reproduction



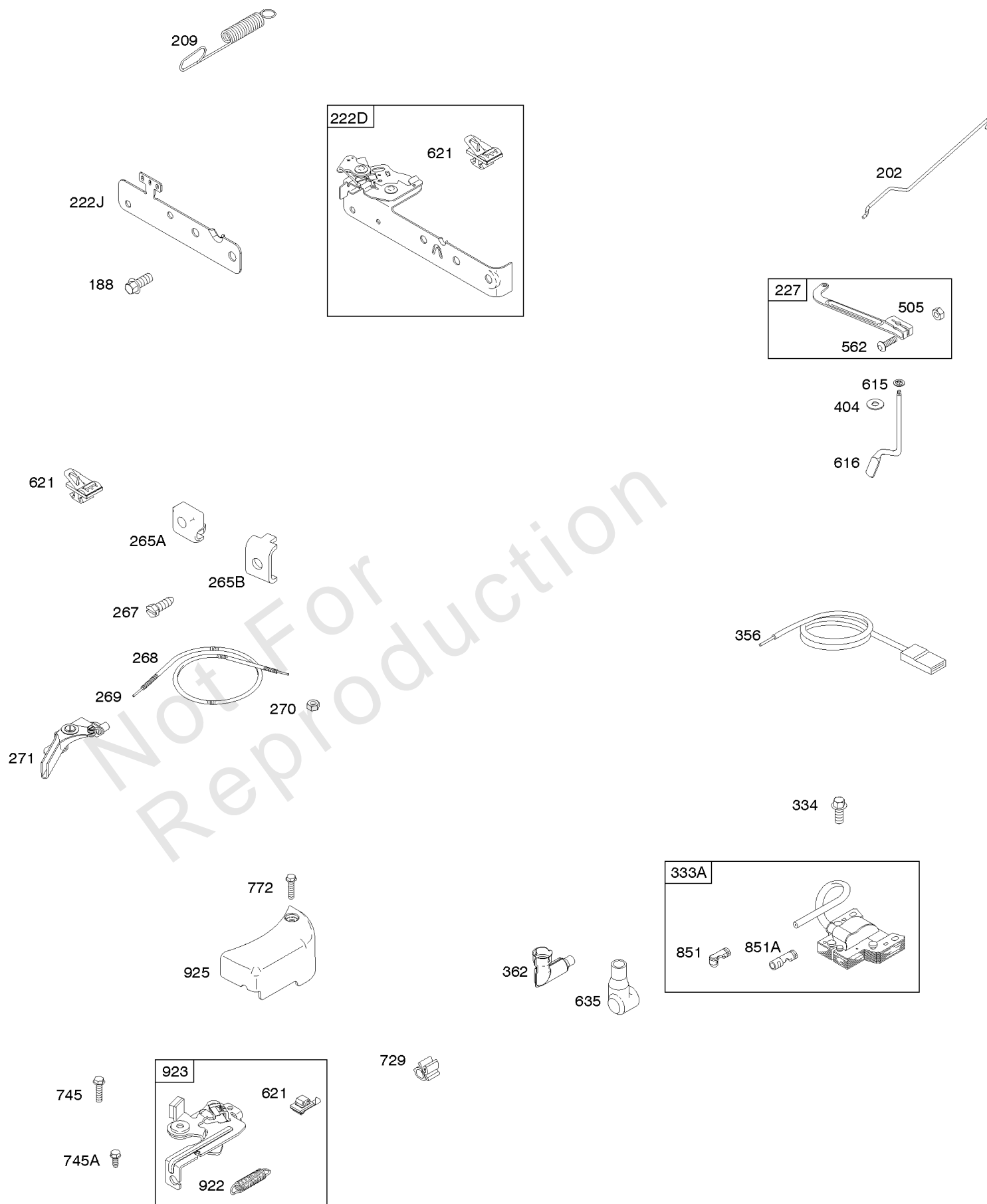
Air Cleaner, Carburetor, Exhaust System, Fuel Supply

| REF NO | PART NO | QTY | DESCRIPTION |
|--------|---------|-----|---------------------------------------|
| 81 | 691179 | | LOCK, Muffler Screw |
| 90 | 795475 | | CARBURETOR |
| 97 | 697414 | | SHAFT, Throttle |
| 106 | 691901 | | SEAT, Inlet |
| 130 | 691190 | | VALVE, Throttle |
| 163 | 271139S | | GASKET, Air Cleaner -(Air Cleaner) |
| 180C | 795473 | | TANK, Fuel -(Metal) |
| 190 | 691640 | | SCREW -(Fuel Tank) (To Cylinder) |
| 190A | 691108 | | SCREW -(Fuel Tank) (9/16" Long) |
| 300 | 692307 | | MUFFLER |
| 300A | 394569S | | MUFFLER |
| 365 | 790029 | | SCREW -(Carburetor) |
| 390 | 691839 | | SPRING-CHOKE DIAPH |
| 393 | 691837 | | SCREEN, Carburetor |
| 394 | 795083 | | DIAPHRAGM, Carburetor |
| 529 | 692189 | | GROMMET |
| 534 | 691417 | | SCREW -(Air Cleaner) |
| 535 | 698369 | | FILTER, Air Cleaner Foam |
| 536 | 698472 | | CLEANER, Air |
| 612 | 496046S | | TUBE-PICK UP |
| 613 | 691413 | | SCREW -(Muffler) |
| 617 | 270344S | | SEAL, O-Ring -(Intake Manifold) |
| 633 | 691321 | | SEAL-CHOKE/THR SHAFT -(Throttle) |
| 670 | 691633 | | SPACER, Fuel Tank |
| 724 | 697478 | | RETAINER, Seal |
| 883 | 691880 | | GASKET-EXHAUST |
| 913 | 494409 | | SEAT, Valve |
| 957C | 795472 | | CAP, Fuel Tank -(Plastic) |
| 976 | 694394 | | PRIMER-CARBURETOR |
| 1218 | 695866 | | SEAL, O-Ring -(Carburetor) |



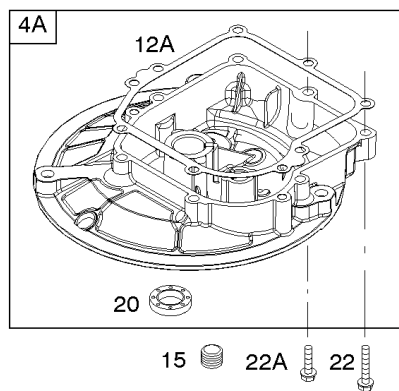
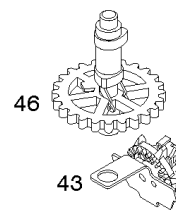
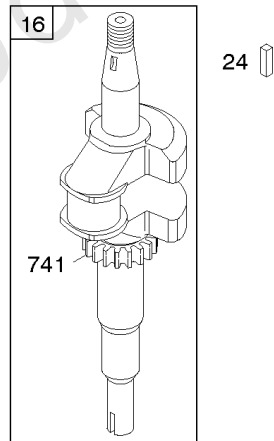
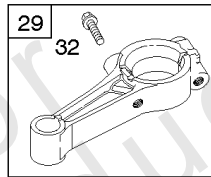
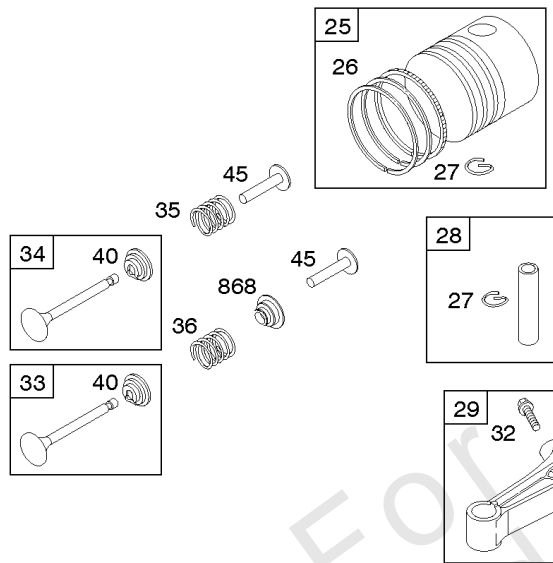
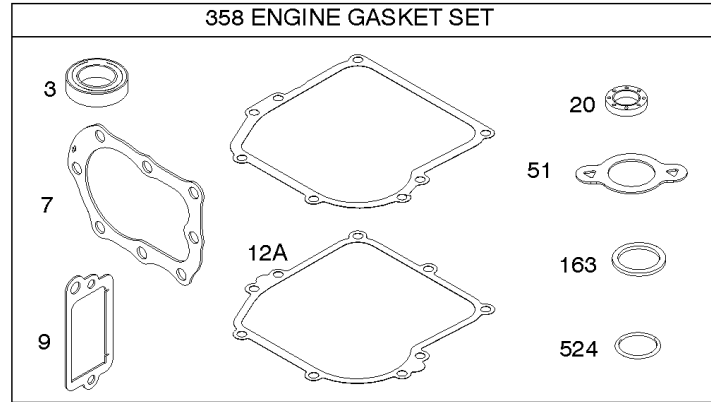
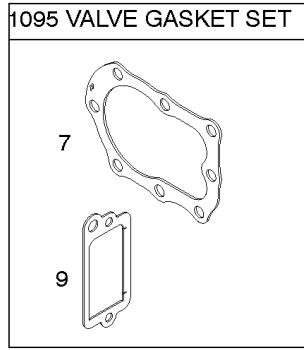
Blower Housing/Shrouds, Flywheel, Rewind Starter

| REF NO | PART NO | QTY | DESCRIPTION |
|--------|---------|-----|---------------------------------------|
| 23 | 799682 | | FLYWHEEL |
| 23A | 592003 | | FLYWHEEL |
| 23B | 592370 | | FLYWHEEL |
| 37B | 697403 | | GUARD, Flywheel -(Carburetor Side) |
| 37C | 793748 | | GUARD, Flywheel -(Muffler Side) |
| 55 | 692144 | | HOUSING, Rewind Starter |
| 58 | 697316 | | ROPE, Starter -(88 5/8) |
| 60 | 691915 | | GRIP, Starter Rope |
| 65 | 690837 | | SCREW -(Rewind Starter) |
| 73 | 699850 | | SCREEN, Rotating |
| 78 | 692198 | | SCREW -(Flywheel Guard) |
| 304 | 697411 | | HOUSING-BLOWER |
| 305 | 692198 | | SCREW -(Blower Housing) |
| 332 | 690662 | | NUT -(Flywheel) |
| 363 | 19069 | | PULLER, Flywheel |
| 455 | 691236 | | CUP, Flywheel |
| 456 | 692299 | | PLATE-PAWL FRICTION |
| 459 | 281505S | | PAWL-RATCHET |
| 592 | 690800 | | NUT -(Rewind Starter) |
| 597 | 691696 | | SCREW -(Pawl Friction Plate) |
| 608 | 499706 | | STARTER, Rewind |
| 689 | 691855 | | SPRING-FRICTION |
| 930 | 691348 | | GUARD, Rewind |
| 1005 | 592366 | | FAN, Flywheel |
| 1210 | 499901 | | PULLEY/SPRING ASSY -(Pulley) |
| 1211 | 499901 | | PULLEY/SPRING ASSY -(Spring) |



Brake, Controls, Covers, Governor Spring, Ignition

| REF NO | PART NO | QTY | DESCRIPTION |
|--------|---------|-----|---|
| 188 | 692198 | | SCREW -(Control Bracket) |
| 202 | 698835 | | LINK, Mechanical Governor |
| 209 | 698719 | | SPRING, Governor |
| 222J | 798686 | | BRACKET-CONTROL |
| 227 | 697402 | | LEVER, Governor Control |
| 265A | 690798 | | CLAMP, Casing |
| 265B | 691024 | | CLAMP, Casing |
| 267 | 691044 | | SCREW -(Casing Clamp) |
| 268 | 691025 | | CASING, Control Wire -(Cut To Required Length) |
| 269 | 691026 | | WIRE, Control -(Cut To Required Length) |
| 270 | 691027 | | NUT -(Control Wire Casing) |
| 271 | 691028 | | LEVER, Control |
| 333A | 591420 | | ARMATURE, Magneto |
| 334 | 691061 | | SCREW -(Magneto Armature) |
| 356 | 692390 | | WIRE, Stop |
| 362 | 793351 | | SHIELD-SPARK PLUG |
| 404 | 690272 | | WASHER -(Governor Crank) |
| 505 | 691251 | | NUT -(Governor Control Lever) |
| 562 | 691119 | | BOLT -(Governor Control Lever) |
| 615 | 690340 | | RETAINER, Governor Shaft |
| 616 | 697405 | | CRANK, Governor |
| 621 | 692310 | | SWITCH, Stop |
| 635 | 66538S | | BOOT, Spark PLug |
| 729 | 690586 | | CLIP, Wire |
| 745 | 691146 | | SCREW -(Brake) (7/8) |
| 745A | 690859 | | SCREW -(Brake) (1/2) |
| 772 | 691111 | | SCREW -(Linkage Cover) |
| 851 | 493880S | | TERMINAL-SPARK PLUG |
| 851A | 692424 | | TERMINAL, Spark Plug |
| 922 | 692135 | | SPRING, Brake |
| 923 | 691487 | | BRAKE |
| 925 | 691349 | | COVER, Linkage |



Not For Reproduction

Camshaft, Crankcase Cover/Sump, Crankshaft, Gasket Set - Engine, Gasket Set - Valve,

| REF NO | PART NO | QTY | DESCRIPTION |
|--------|---------|-----|---|
| 3 | 299819S | | SEAL, Oil -(Magneto Side) |
| 4A | 590569 | | SUMP, Engine -(Engines with 7 Sump Screws) |
| 7 | 698717 | | GASKET-CYL HD |
| 9 | 695890 | | GASKET-BREATHER |
| 12A | 799587 | | GASKET, Crankcase -(Engines with 7 Sump Screws) |
| 15 | 691680 | | PLUG, Oil Drain |
| 16 | 796211 | | CRANKSHAFT |
| 20 | 391483S | | SEAL, Oil -(PTO Side) |
| 22 | 692551 | | SCREW -(Crankcase Cover/Sump) |
| 22A | 590763 | | SCREW -(Crankcase Cover/Sump) |
| 24 | 222698S | | KEY, Flywheel |
| 25 | 795689 | | PISTON ASSEMBLY -(.020 Oversize) |
| 25 | 795691 | | PISTON ASSEMBLY -(Standard) |
| 26 | 795688 | | SET, Ring -(.020 Oversize) |
| 26 | 795690 | | SET, Ring -(Standard) |
| 27 | 691588 | | LOCK, Piston Pin |
| 28 | 699659 | | PIN, Piston |
| 29 | 699655 | | ROD, Connecting |
| 32 | 691664 | | SCREW -(Connecting Rod) |
| 33 | 296676 | | VALVE, Exhaust -(Grooved Stem-Includes Retainer) |
| 34 | 296677 | | VALVE, Intake -(Grooved stem-includes Retainer) |
| 35 | 690520 | | SPRING-VALVE -(Intake) |
| 36 | 690520 | | SPRING-VALVE -(Exhaust) |
| 40 | 692194 | | RETAINER, Valve |
| 43 | 697799 | | SLINGER, Governor/Oil |
| 45 | 691762 | | TAPPET, Valve |
| 46 | 691998 | | CAMSHAFT |
| 51 | 699649 | | GASKET, Intake |
| 163 | 271139S | | GASKET, Air Cleaner -(Air Cleaner) |
| 358 | 590777 | | GASKET SET, Engine |
| 524 | 691876 | | SEAL, O-Ring |
| 741 | 796210 | | GEAR, Timing -(Plastic) |
| 868 | 697338 | | SEAL, Valve |
| 1095 | 498526 | | GASKET SET, Valve |

1319 WARNING LABEL

REQUIRED when replacing parts with warning labels affixed.

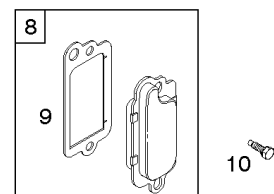
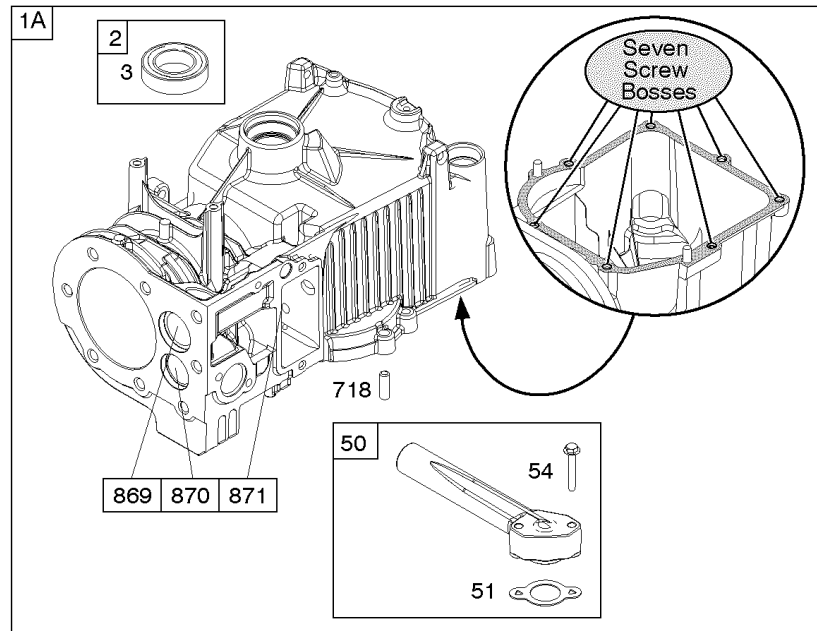
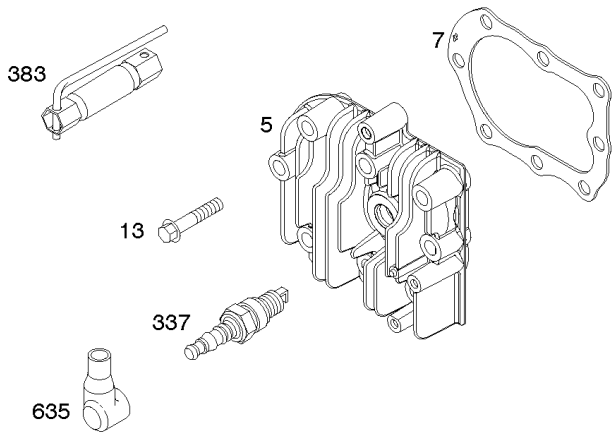
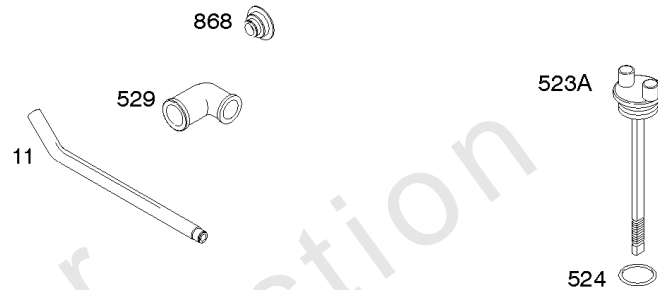
1319A WARNING LABEL

REQUIRED when replacing parts with warning labels affixed.

1058 OPERATOR'S MANUAL

1330 REPAIR MANUAL

1036 EMISSIONS LABEL



Cylinder, Cylinder Head, Lubrication, Warning Label

| REF NO | PART NO | QTY | DESCRIPTION |
|--------|---------|-----|--|
| 1A | 590770 | | CYLINDER ASSEMBLY -(Engines with 7 Sump Screws) |
| 2 | 796961 | | KIT, Bushing/Seal -(Magneto Side) |
| 3 | 299819S | | SEAL, Oil -(Magneto Side) |
| 5 | 790169 | | HEAD, Cylinder |
| 7 | 698717 | | GASKET-CYL HD |
| 8 | 791781 | | BREATHER ASSEMBLY |
| 9 | 695890 | | GASKET-BREATHER |
| 10 | 691666 | | SCREW -(Breather Assembly) |
| 11 | 691245 | | TUBE, Breather |
| 13 | 691640 | | SCREW -(Cylinder Head) |
| 50 | 699644 | | MANIFOLD, Intake |
| 51 | 699649 | | GASKET, Intake |
| 54 | 691111 | | SCREW -(Intake Manifold) |
| 337 | 796112S | | PLUG-SPARK |
| 383 | 89838S | | WRENCH-SPARK PLUG |
| 523A | 691913 | | DIPSTICK |
| 524 | 691876 | | SEAL, O-Ring |
| 529 | 692189 | | GROMMET |
| 635 | 66538S | | BOOT, Spark PLug |
| 718 | 690959 | | PIN, Locating -(Cylinder) |
| 868 | 697338 | | SEAL, Valve |
| 869 | 699641 | | SEAT, Valve -(Intake) |
| 870 | 699642 | | SEAT, Valve -(Exhaust) |
| 871 | 63709 | | BUSHING, Valve Guide -(Intake) |
| 871 | 699643 | | BUSHING, Valve Guide -(Exhaust) |
| 1036 | ----- | | Label-Emissions -(Available From A Briggs & Stratton Authorized Dealer) |
| 1058 | 277038 | | MANUAL, Operator's |
| 1319 | 794467 | | LABEL, Warning |
| 1319A | 797669 | | LABEL, Warning |
| 1330 | 270962 | | REP MAN-1 CYL L-HD |

Replacement Engine - US & Canada

| REF NO | PART NO | QTY | DESCRIPTION |
|--------|------------|-----|---------------------------------------|
| | 10L8020015 | 1 | Replacement Engine |
| | 796216 | 1 | CRANKSHAFT -Add Part |
| | 794674 | 1 | -Remove Part |
| ----- | | | Top No-Load Speed: 3100 -Trim: ALL |

Not For Reproduction

