

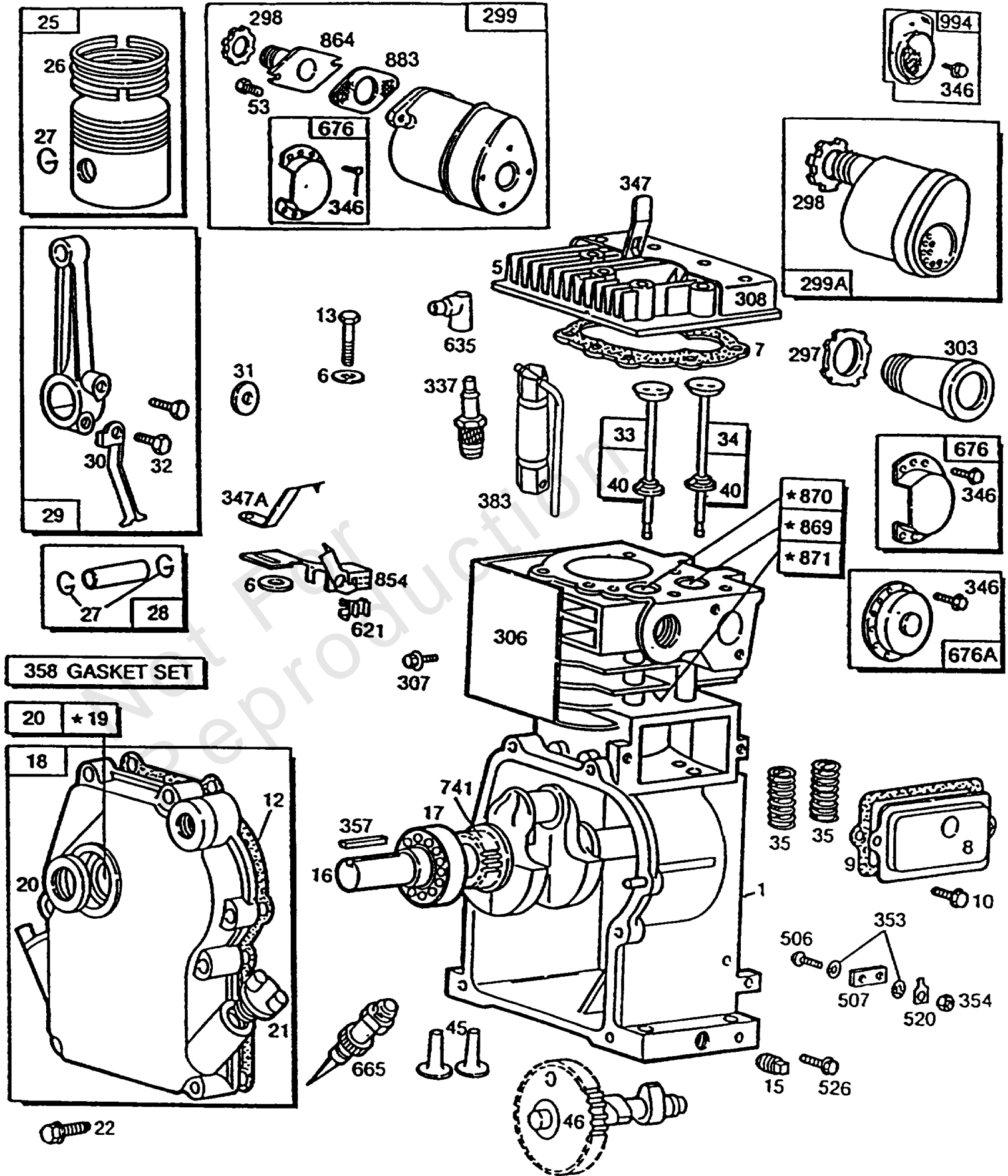


Parts Manual

Mfg. No: 080202-1649-01

Model Components	Page
Cylinder,Crankcase,Cyl. Head.....	4
Fuel Tank,Air Cleaner groups.....	10
Gear Case,Blower Hsg.,Rewind.....	12
Pull Choke Carburetor.....	16
Replacement Engine - US & Canada.....	20
Rotary Choke Carburetor.....	21

Not For
Reproduction



★ REQUIRES SPECIAL TOOLS TO INSTALL.
SEE REPAIR INSTRUCTION MANUAL.

1019 LABEL KIT

Cylinder,Crankcase,Cyl. Head

REF NO	PART NO	QTY	DESCRIPTION
1	395879		CYLINDER ASSEMBLY
5	210812		HEAD, Cylinder
6	22963		WASHER
7	272167		GASKET-CYLINDER HEAD -Included in Gasket Set-Part No. 397144
8	294178		COVER, Breather Passage
9	27549		GASKET, Rocker Cover -Included in Gasket Set-Part No. 397144
10	94688		SCREW -(Valve Cover)
12	270833		GASKET, Crankcase -(.015) Included in Gasket Set-Part No. 397144
12	270895		GASKET, Crankcase -(.005) Included in Gasket Set-Part No. 397144
12	270896		GASKET, Crankcase -(.009) Included in Gasket Set-Part No. 397144
13	93583		STUD -(Cylinder Head)
13	94547		SCREW -(Cylinder Head)
15	91249		PLUG, Oil Drain -(1/4 Square)
15	93448		PLUG, Oil Drain -(Flush) (1/4-18 NPTF) (Flush) (1/4 18 NPTF)
16	493767		CRANKSHAFT -To Replace Crankshaft Gear Pin, Order Part No. 230978. Used Only on Crankshaft With Loose Gear.
17	99158		BEARING-BALL
18	394820		COVER, Crankcase -(Plain Bearing)
19	293708		KIT, Bushing/Seal -(Plain Bearing)
20	299819		SEAL, Oil -(Plain Bearing)
21	66768		PLUG, Oil
22	93032		SCREW -(Fuel Tank) (Tank)
22	93656		STUD
25	295587		PISTON ASSEMBLY -(Standard)
25	295588		PISTON ASSEMBLY -(2-3/8 Bore)
25	295589		PISTON ASSEMBLY -(2-3/8 Bore)
25	295590		PISTON ASSEMBLY -(2-3/8 Bore)
26	294224		SET, Ring -(.010 Oversize)
26	294225		SET, Ring -(.020 Oversize)
26	294226		SET, Ring -(.030 Oversize)
26	294232		SET, Ring -(Standard)
26	297201		SET, Ring -(Standard)

Footnotes:

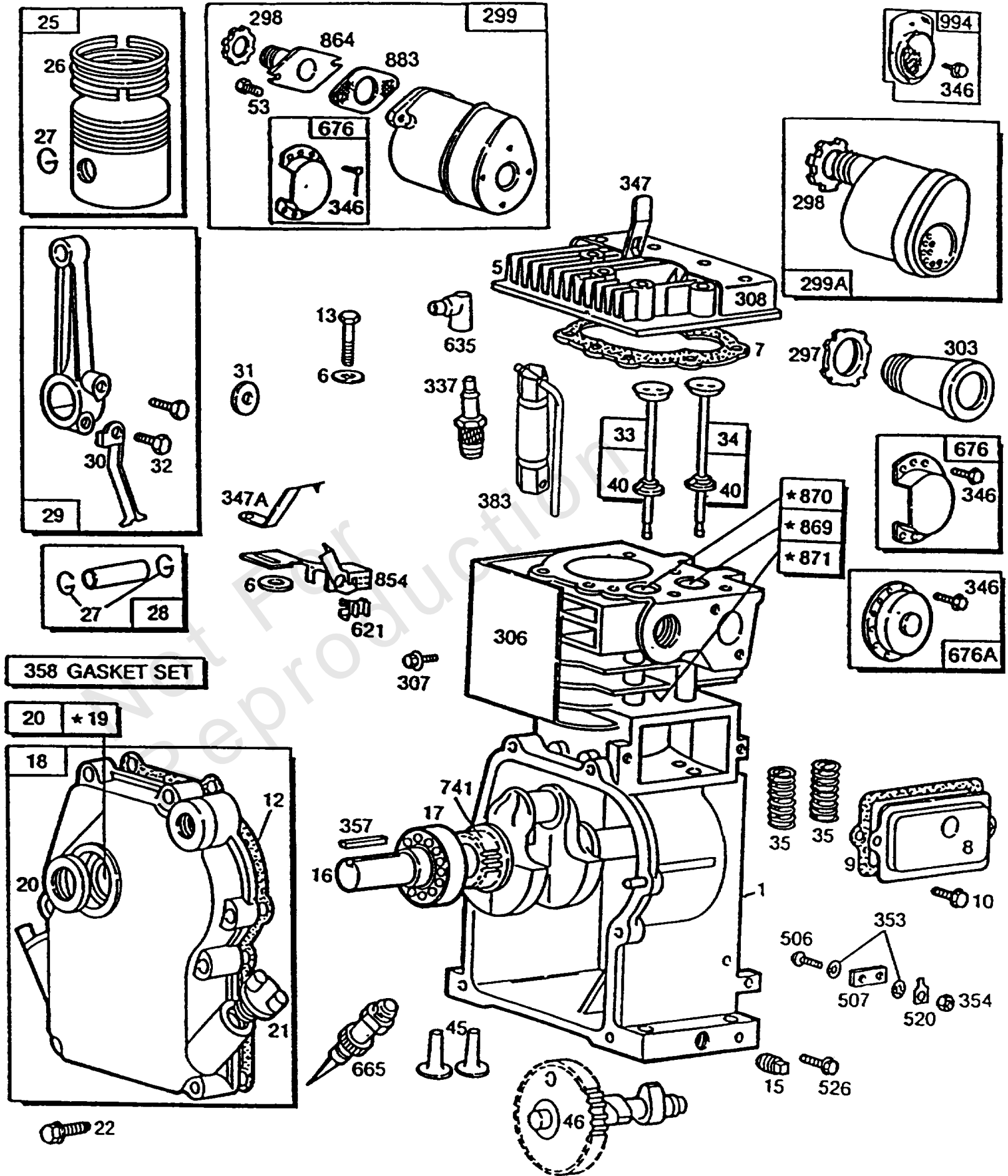
For Options See Repair Manual.

Cylinder,Crankcase,Cyl. Head

REF NO	PART NO	QTY	DESCRIPTION
27	26026		LOCK, Piston Pin
28	298908		PIN, Piston -(.005 Oversize)
28	298909		PIN, Piston
29	294367		ROD, Connecting -For Connecting Rod With .020 Undersize Crankpin Bore-Order Part No. 296079
30	220670		DIPPER, Connecting Rod
31	222282		WASHER
32	94404		SCREW -(Connecting Rod)
33	296676		VALVE, Exhaust -(Grooved Stem-Includes Retainer)
34	296677		VALVE, Intake -(Grooved stem-includes Retainer)
35	260552		SPRING, Valve -(Exhaust)
40	230126		PIN, Retainer
40	292259		RETAINER, Valve -(Exhaust)
40	93312		RETAINER, Valve -(Valves With Groove In Stem)
53	94523		SCREW
297	91811		LOCKNUT -(Elbow)
298	220859		LOCKNUT -(Muffler and Elbow)
299A	493000		MUFFLER -Uses: 93606 Screw (Guard to Muffler Mounting) 62199 Washer (Guard to Bracket) 93873 Screw (Guard to Bracket Mounting)
299A	392811		MUFFLER -(Lo Tone)
299	492591		MUFFLER -(Lo Tone)
299	493000		MUFFLER -Uses: 93606 Screw (Guard to Muffler Mounting) 62199 Washer (Guard to Bracket) 93873 Screw (Guard to Bracket Mounting)
303	92989		MANIFOLD, Exhaust -(45 Degree)
306	220478		SHIELD, Cylinder -Used Before Code Date 89102300
306	224377		SHIELD, Cylinder -Used After Code Date 89102200
307	93758		SCREW -(Rotating Screen)
308	220581		COVER, Cylinder Head
337	293918		PLUG, Spark
337	298809		PLUG, Spark
337	492167		PLUG, Spark
337	802592		PLUG, Spark -(Resistor)
346	93705		SCREW -(8-32 X 3/8)
347A	298926		SWITCH, Spark Plug Stop
347A	293739		SWITCH, Spark Plug Stop
347	220884		SWITCH, Stop

Footnotes:

For Options See Repair Manual.



★ REQUIRES SPECIAL TOOLS TO INSTALL.
SEE REPAIR INSTRUCTION MANUAL.

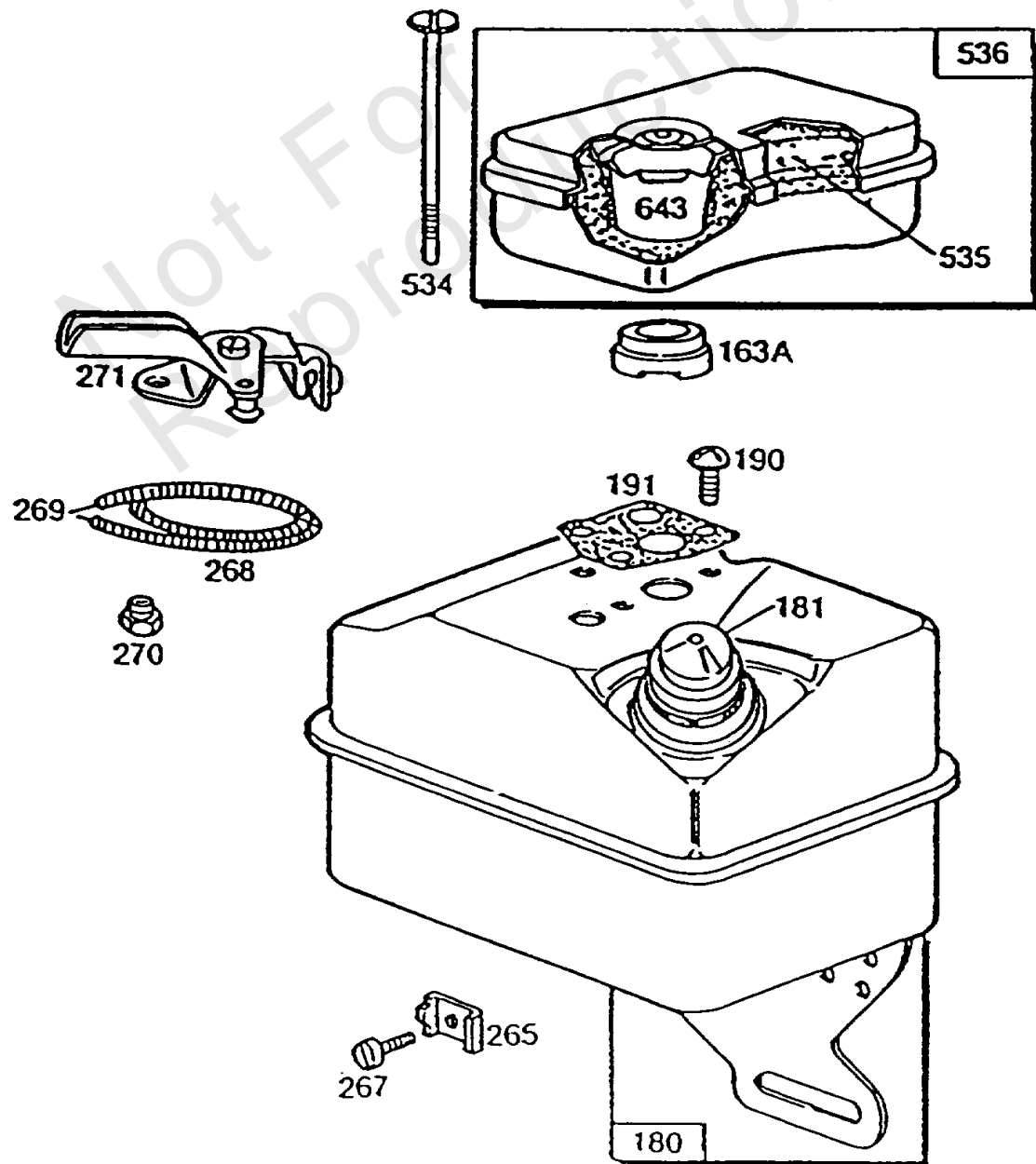
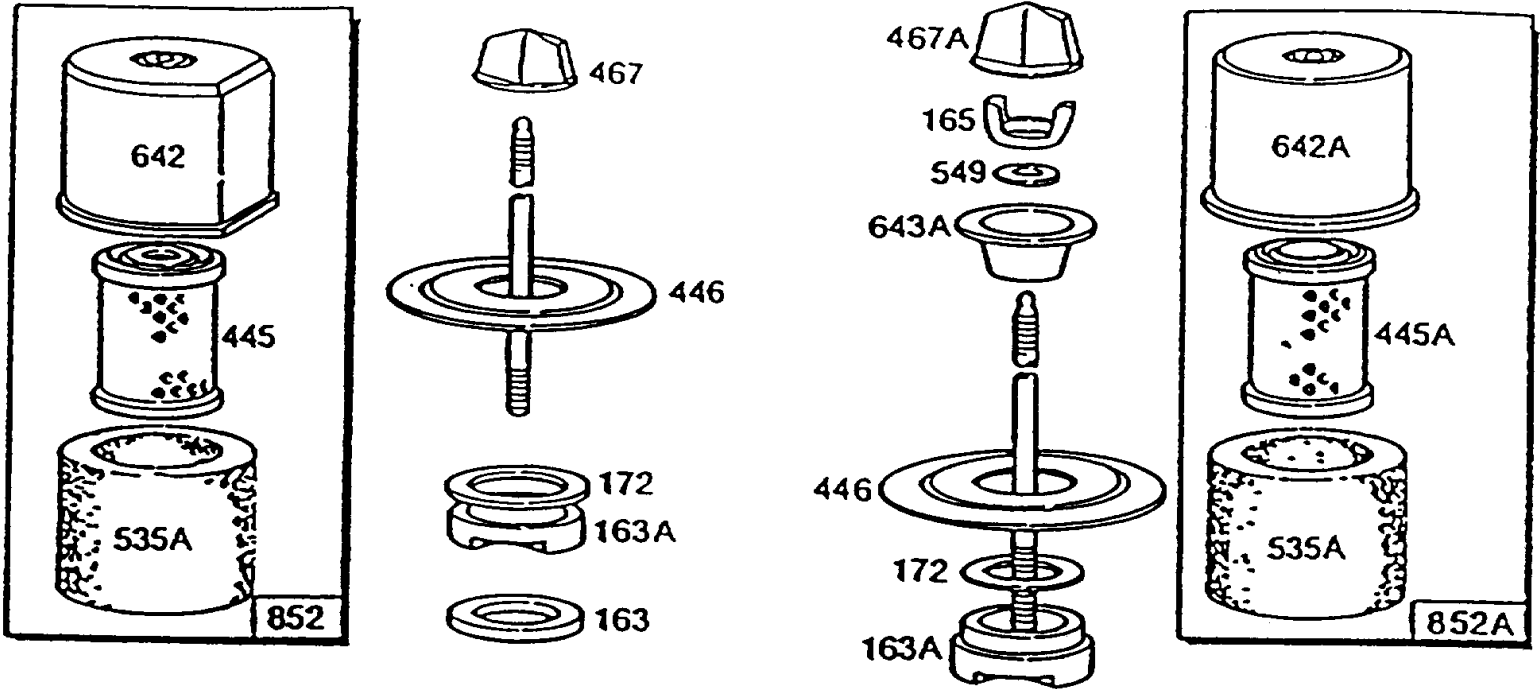
1019 LABEL KIT

Cylinder,Crankcase,Cyl. Head

REF NO	PART NO	QTY	DESCRIPTION
347	221808		SWITCH, Stop
353	92791		WASHER
354	90576		NUT -(Ground Terminal)
357	91539		KEY, Drive Pulley -(3/16 Square)
358	397144		SET, Carburetor Gasket -(Rotary Choke)
383	89838		WRENCH, Spark Plug
506	90200		SCREW -(8-32 X 1/2)
507	66895		INSULATOR
520	93722		TERMINAL, Ground
526	94408		SCREW -(Fuel Tank)
621	297472		SWITCH, Stop
635	66538		BOOT, Spark Plug
665	298858		MINDER, Oil
676A	397931		DEFLECTOR, Muffler
676	393760		DEFLECTOR, Muffler
741	261533		GEAR, Timing -(Plain Bearing 2 Piece Crankshaft)
741	261721		GEAR, Timing -(Ball Bearing)
854	392884		BRACKET, Stopswitch
864	492232		ADAPTER, Muffler
869	210879		SEAT, Valve -(Intake) -Used Before Code Date 88080100
869	211172		SEAT, Valve -(Intake) -Used After Code Date 88073100
870	211291		SEAT, Valve -(Exhaust)
871	231348		BUSHING-VALVE GUIDE -(Exhaust)
871	63709		BUSHING, Valve Guide -(Intake)
883	272203		GASKET, Exhaust
994	398067		ARRESTOR-SPARK
1019	491069		KIT, Label

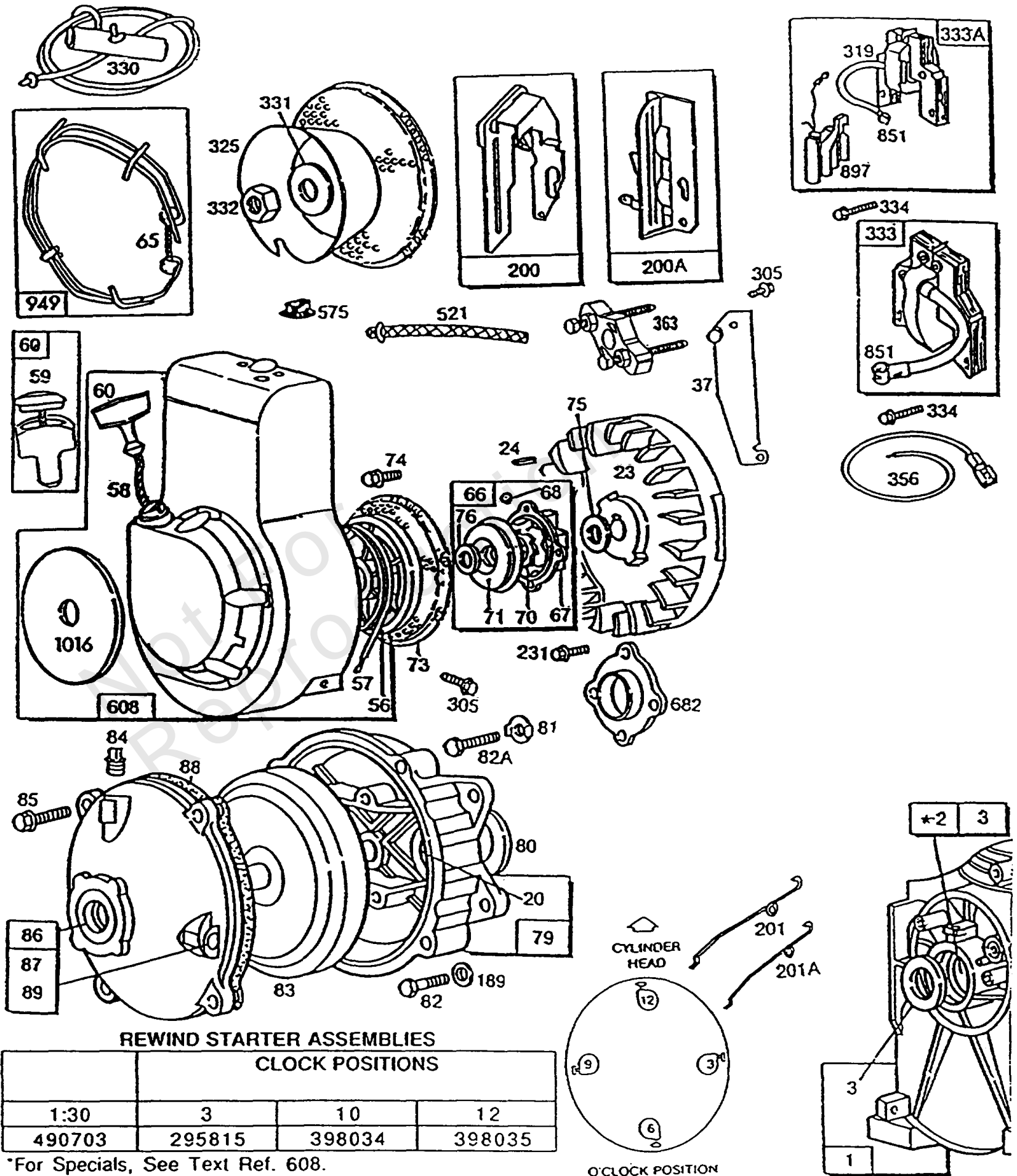
Footnotes:

For Options See Repair Manual.



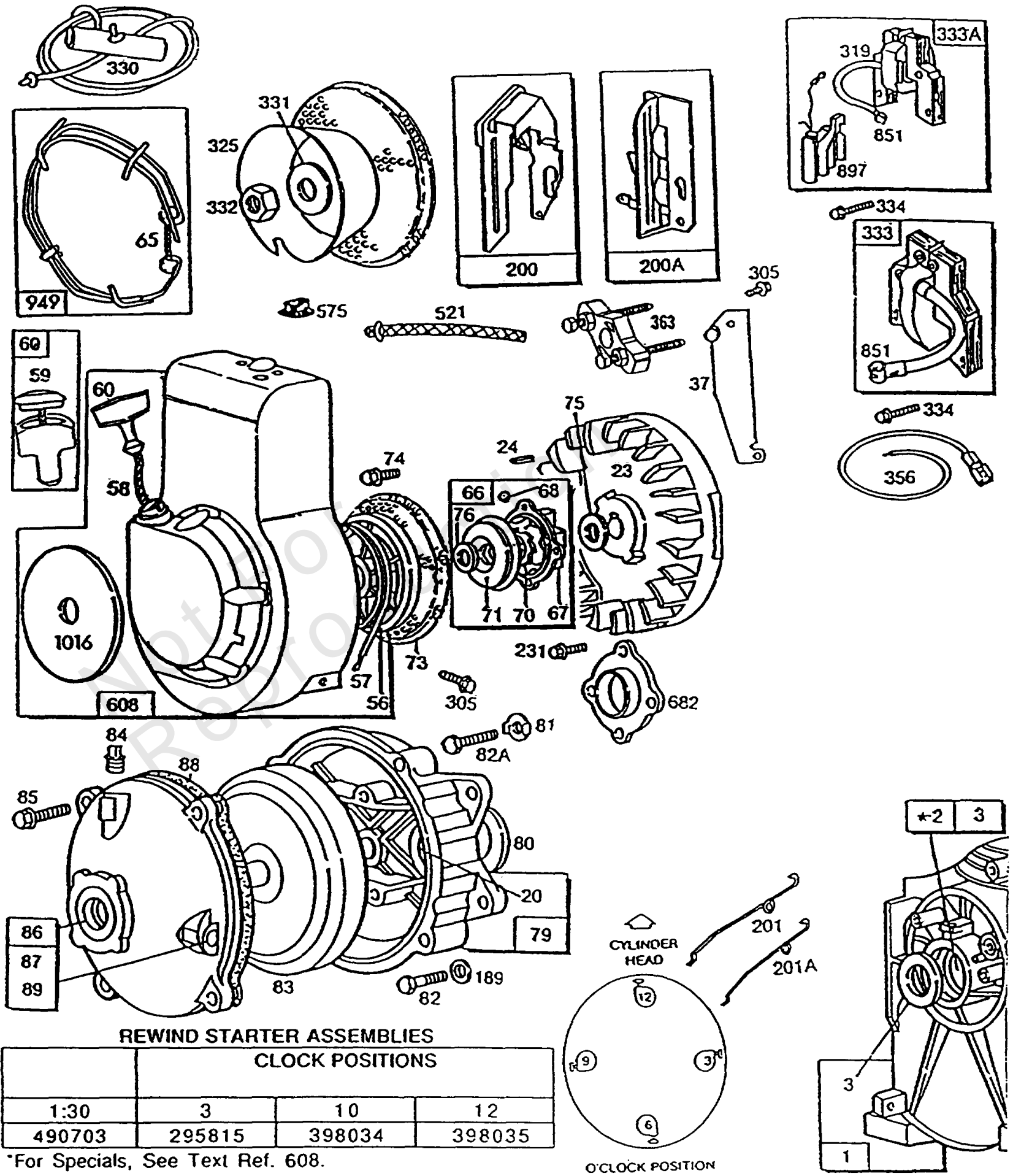
Fuel Tank,Air Cleaner groups

REF NO	PART NO	QTY	DESCRIPTION
163A	27660		GASKET, Air Cleaner
163	271139		GASKET, Air Cleaner -(Above Spacer) Included in Carburetor Overhaul Kit-Part No. 494624
165	93856		NUT -(10-32)
172	271077		SPACER, Air Cleaner
180	397789		TANK, Fuel -(2 Quart Tank)
181	298425		CAP, Fuel Tank -(Metal)
190	93440		SCREW
191	271592		GASKET, Fuel Tank -Included in Carburetor Overhaul Kit-Part No. 494624. Included in Gasket Set- Part No. 397144 (Used with Rotary Choke Carburetors)
265	221370		CLAMP, Casing
267	93496		SCREW -(10-32 X 5/8)
268	66986		CASING, Control Wire -(Cut To Required Length)
269	26099		WIRE, Control -(Cut To Required Length) If Longer Wire is Needed, Specify Length in Inches; if Shorter Wire is Needed Order Part No. 26099 and Cut to Required Length.
270	63426		NUT -(Control Wire Casing)
271	290568		LEVER, Control
445A	392308		FILTER, A/C Cartridge
445	396424		FILTER, Pre Cleaner
446	222844		BASE, Air Cleaner
467A	212293		KNOB, Choke Shaft
467	212706		KNOB, Choke Shaft
534	93322		SCREW -(1 15/16)
534	94071		SCREW
535A	271466		FILTER, Pre Cleaner
535	27987		FILTER, Air Cleaner Foam
536	296766		CLEANER, Air
536	397703		CLEANER, Air
549	271118		WASHER
642A	222626		COVER, Air Cleaner
642	223306		COVER, Air Cleaner
643A	222845		SUPPORT, Foam Element -(1/2 Deep)
643	280374		RETAINER, Air Filter
852A	392368		CLEANER, Air -Dual Element Air Cleaner Kit Part No. 393018
852	396397		CLEANER, Air



Gear Case,Blower Hsg.,Rewind

REF NO	PART NO	QTY	DESCRIPTION
1	395879		CYLINDER ASSEMBLY
2	293708		KIT, Bushing/Seal -(Plain Bearing)
3	299819		SEAL, Oil -(Plain Bearing)
20	299819		SEAL, Oil -(Plain Bearing)
23	296884		FLYWHEEL
24	222698		KEY, Flywheel
37	220971		GUARD, Flywheel
56	280439		PULLEY, Rope Starter
57	490179		SPRING-REWIND STR
58	280406		ROPE, Starter -(Cut To Required Length) If Longer Rope is Needed, Order Part No. 280399 and Cut to Required Length.
59	396892		INSERT-GRIP
60	393152		GRIP-STARTER ROPE
65	94124		SCREW
66	399671		CLUTCH-STARTER -(Uses Rubber Coated Retainer Washer-Ref. 71)
67	394897		HOUSING, Clutch
68	63770		BALL, Clutch
70	298799		RATCHET, Clutch -(engine W/Ring Gear on FW equipped for Elec Start)
71	394506		COVER, Ratchet -(Rubber Coated)
73	221661		SCREEN, Rotating -(Rewind Starter)
74	93490		SCREW -(Rotating Screen)
75	224061		WASHER -(5/8 Hole)
76	68238		SEAL, Ratchet
79	290779		CASE, Gear Reduction
80	27667		GASKET, Gear Case
81	220234		LOCK, Muffler Screw
82A	92279		SCREW -(5/16-24 X 1/2)
82	91541		SCREW -(5/16-24 X 7/8)
83	211293		SHAFT, Auxiliary Drive
84	92617		SCREW -(Gear Case)
85	92747		SCREW -(Used on Two Top Holes to Mount Cover)
86	291730		COVER, Gear
87	19011		SEAL, Oil
88	27313		GASKET, Gear Cover/Housing
89	93448		PLUG, Oil Drain -(Flush) (1/4-18 NPTF) (Flush) (1/4 18 NPTF)
189	90366		WASHER
200A	490529		BLADE, Governor
200	490529		BLADE, Governor
201A	261663		LINK, Air Vane -Ref. 201A is Used With Ref. 200A Gov. Blade.
201	262041		LINK, Choke -Ref. 201 is Used With Ref. 200 Gov. Blade.



REWIND STARTER ASSEMBLIES
CLOCK POSITIONS

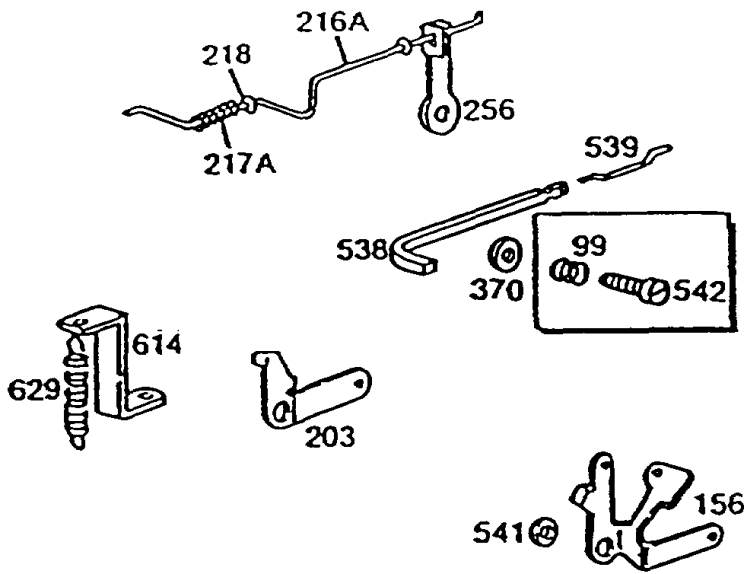
	3	10	12
1:30	3	10	12
490703	295815	398034	398035

*For Specials, See Text Ref. 608.

★ REQUIRES SPECIAL TOOLS TO INSTALL.
SEE REPAIR INSTRUCTION MANUAL.

Gear Case,Blower Hsg.,Rewind

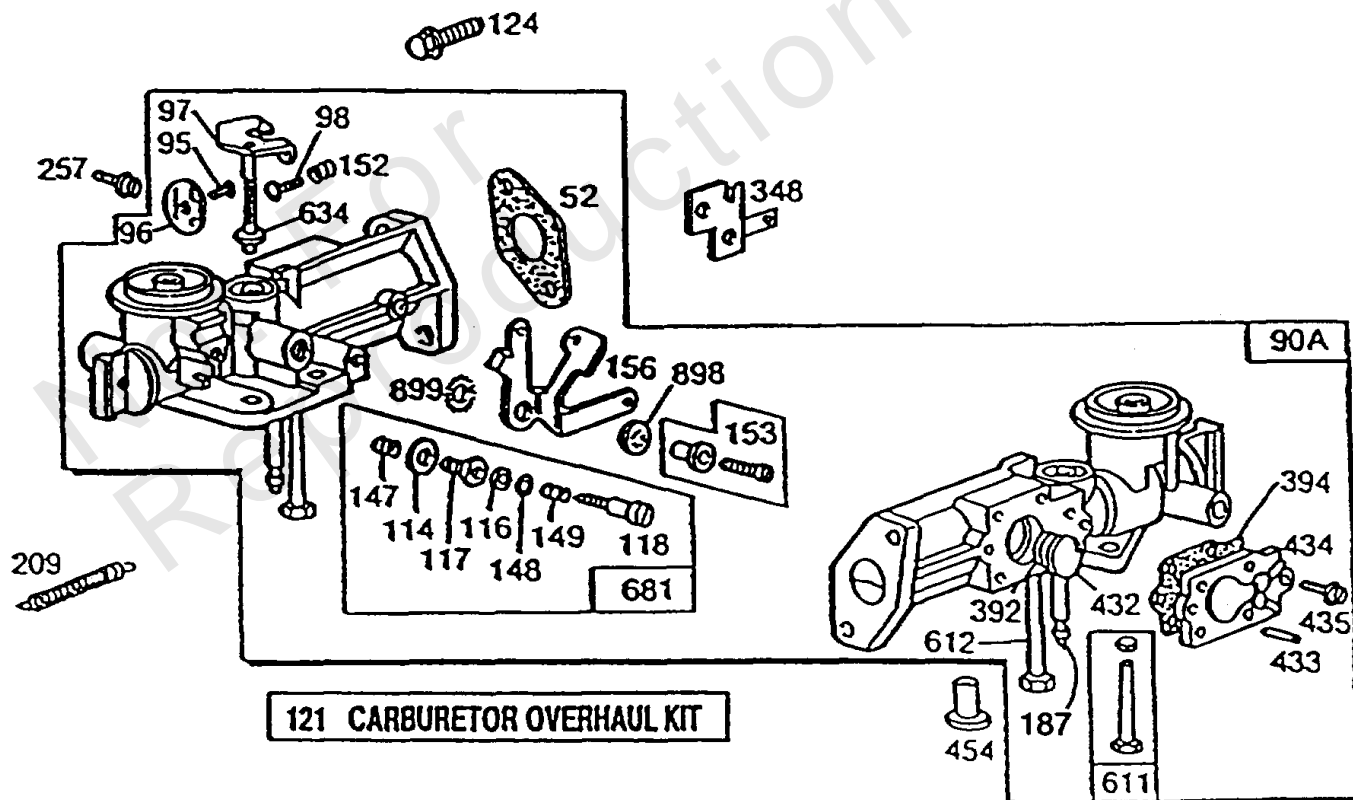
REF NO	PART NO	QTY	DESCRIPTION
231	93064		SCREW
305	93158		SCREW -(1/4-20 X 5/8)
319	298502		ARMATURE, Magneto -(Points And Condenser)
319	398428		ARMATURE, Magneto
325	293959		PULLEY, Rope Starter -(1/2 Hole In Pulley) For Pulley With Screen With 5/8 Hole in Pulley Order Part No. 298731
330	69932		GRIP, Starter Rope
331	62577		WASHER -(1/2 Hole) For Washer With 5/8 Hole-Order Part No. 220865
332	91708		NUT -(1/2-20 L.H. Thread) For Flywheel Nut With 5/8-18 R.H. Thread-Order Part No. 92284
333A	398593		ARMATURE, Magneto -(Magnetron Ignition)
333	398428		ARMATURE, Magneto
333	398593		ARMATURE, Magneto -(Magnetron Ignition)
334	93381		SCREW
356	398808		WIRE, Stop -(Cut To Required Length) Used With Armature Ref. 333
363	19069		PULLER, Flywheel
521	297973		SHIELD, Protective
575	396691		SWITCH, Rotary -(Mechanical Governor)
608	-----		No Nomenclature -See Chart on Illustrated Page.
682	211516		SHIELD, Starter
851	221798		TERMINAL, Spark Plug
897	394970		KIT, Magnetron Ignition
1016	490817		SPACER-REWIND -(Rewind)



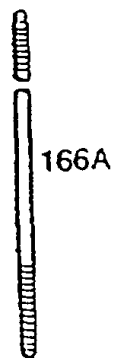
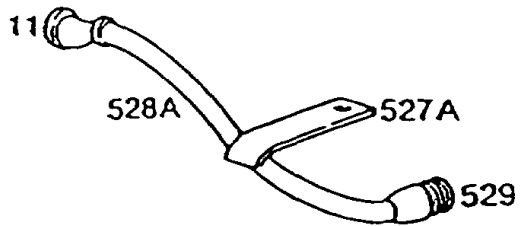
To replace carburetor assembly, determine fuel tank capacity as shown

FUEL TANK CAPACITY (QUARTS)	1	2	3
D (INCHES)	2-5/16	4-1/4	4-7/8

D = Fuel Pipe Length (Approx.)



121 CARBURETOR OVERHAUL KIT



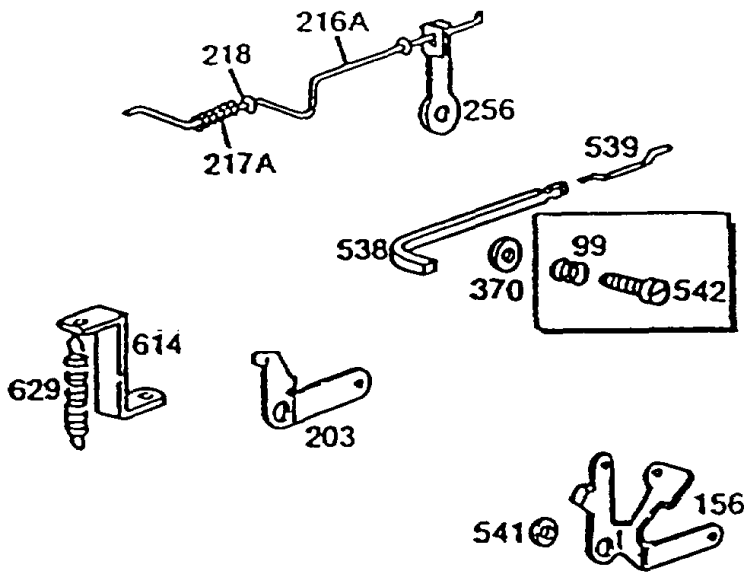
121 CARBURETOR OVERHAUL KIT

Pull Choke Carburetor

REF NO	PART NO	QTY	DESCRIPTION
11	66578		TUBE, Breather
52	27355		GASKET, Intake -(2) Included in Gasket Set-Part No. 397144
90A	393976		CARBURETOR -(Manual Choke) (2 Quart Tank) (Check Illustration.)
90A	393977		CARBURETOR -(Manual Friction) (3 Quart Tank) For Choke-A-Matic Carburetors, See Note and Check Illustration. (All Choke-A-Matic Carb. Use Ref. 256 Speed Adjuster Lever)
90A	393975		CARBURETOR -(1 Quart)
95	93499		SCREW -(Throttle Valve)
96	211203		VALVE, THROTTLE
97	297961		SHAFT, Throttle
98	93527		SCREW -(5-40 X 5/8)
99	393586		SCREW/SPRING, Governor Speed
114	66594		WASHER, Sealing -(Needle Valve) Included in Carburetor Overhaul Kit-Part No. 494624
116	65978		SEAL, O-Ring -(Needle Valve) Included in Carburetor Overhaul Kit-Part No. 494624
117	230590		NUT
118	23433		VALVE, Float Needle -Included in Carburetor Overhaul Kit-Part No. 494624
121	494624		KIT, Carburetor Overhaul
124	93357		SCREW
147	230591		SEAT, Needle Valve -Included in Carburetor Overhaul Kit-Part No. 494624
148	22235		WASHER -Included in Carburetor Overhaul Kit-Part No. 494624
149	26336		SPRING, Needle Valve -Included in Carburetor Overhaul Kit-Part No. 494624
152	260746		SPRING, Throttle Return
153	230531		SCREW
153	298031		SCREW -(Carburetor Lever)
153	93177		SCREW -(Bell Crank)
156	222955		LEVER, Control -For Choke-A-Matic Carb. Use Speed Adjuster Lever Ref. 256
166A	231315		STUD -(Pull Choke) -Used After Code Date 83113103
166A	231176		STUD -(Air Cleaner) (3/16) -Used Before Code Date 83120103
187	231067		LINE, Fuel -(2 Quart Tank)
187	231068		LINE, Fuel -(3 Quart Tank)
203	221147		CRANK, Bell
209	260041		SPRING, Governor
216A	260449		LINK, Choke
217A	260189		SPRING, Friction

Footnotes:

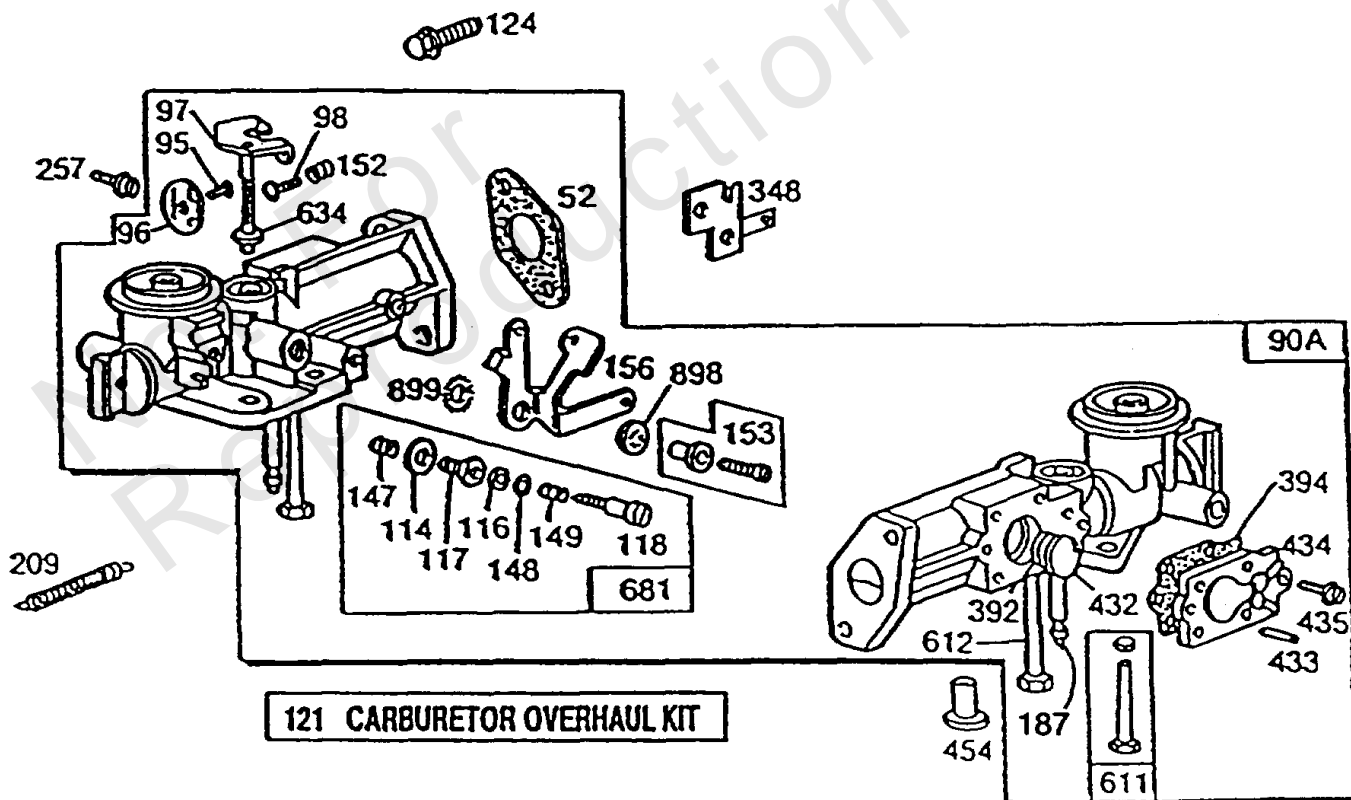
(Used with Pull Choke Carburetors)
on Pull Choke Carbs.-Ref. 90A



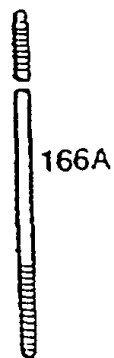
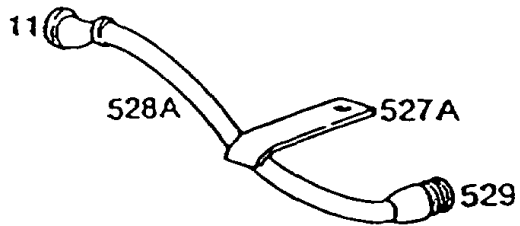
To replace carburetor assembly, determine fuel tank capacity as shown

FUEL TANK CAPACITY (QUARTS)	1	2	3
D (INCHES)	2-5/16	4-1/4	4-7/8

D = Fuel Pipe Length (Approx.)



121 CARBURETOR OVERHAUL KIT



121 CARBURETOR OVERHAUL KIT

Pull Choke Carburetor

REF NO	PART NO	QTY	DESCRIPTION
218	221198		WASHER
256	220952		LEVER, Speed Adjuster
257	93543		SCREW -(10-32 X 3/8)
348	296110		SWITCH, Stop
370	66432		WASHER
392	260455		SPRING, Pump Diaphragm
394	270026		DIAPHRAGM, Carburetor
432	221377		CAP, Spring
433	93265		PIN, Locating
434	210959		COVER, Diaphragm
435	93141		SCREW -(Diaphragm Cover)
527A	221279		CLAMP, Tube -(Pull Choke) -Used Before Code Date 84100200
528A	230634		TUBE, Breather -(Pull Choke) -Used Before Code Date 84100200
528A	231312		TUBE, Breather -(Pull Choke) -Used After Code Date 84100100
529	67608		GROMMET -Used Before Code Date 84100200
529	67838		GROMMET -Used After Code Date 84100100
538	260683		ROD, Control -(Square Rod)
539	260684		LINK, Mechanical Governor -(Square Rod)
541	22398		WASHER
542	393586		SCREW/SPRING, Governor Speed
611	391813		TUBE-PICK UP -(2 And 3 Quart Tanks)
612	296811		TUBE, Pick Up
614	221384		BRACKET, Rod
629	260546		SPRING, Throttle Return -(Throttle Return)
634	270167		SEAL, Choke/Throttle Shaft -Used Before Code Date 85081200
634	271853		WASHER -(Foam) -Used After Code Date 85081100
681	299060		VALVE, High Speed -(Threaded)
898	92507		WASHER
899	396579		GUARD, Debris Screen -(Includes Mounting Hardware)
899	93397		WASHER

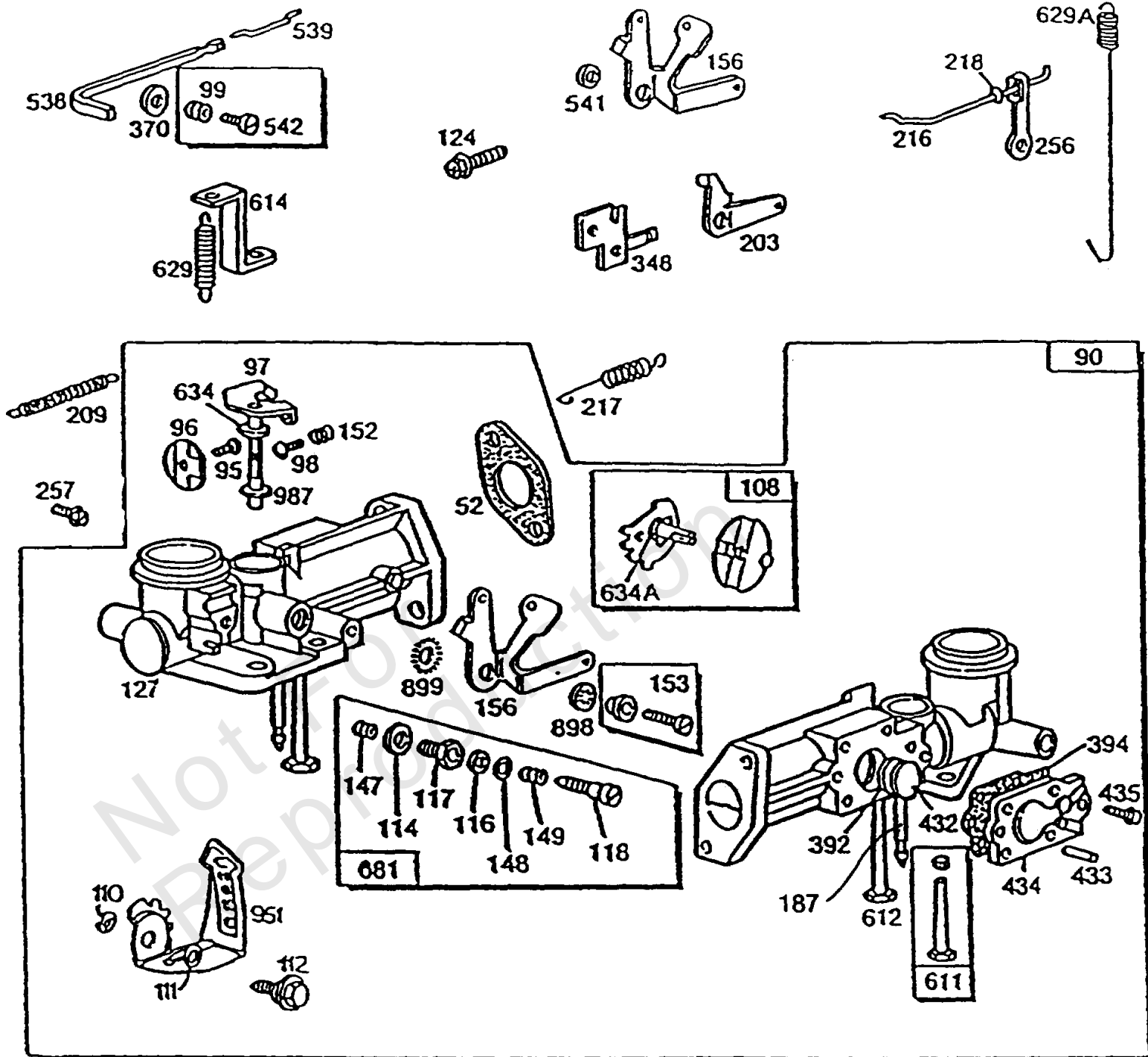
Footnotes:

(Used with Pull Choke Carburetors)
on Pull Choke Carbs.-Ref. 90A

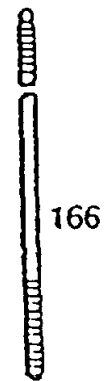
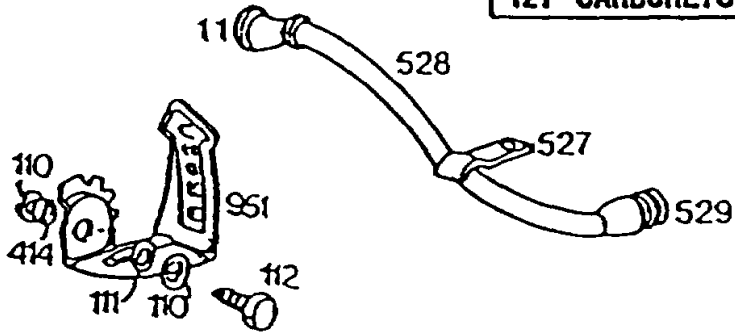
Replacement Engine - US & Canada

REF NO	PART NO	QTY	DESCRIPTION
	831320040	1	Replacement Engine
	-----		Top No-Load Speed: 2600 -Trim: ALL
	-----		Service Note: If the replacement engine supersedes to or is a Model 83100 series engine, refer to the illustrations located after the conversion data for this model series. The overall dimensions which differ, are shown in the illustrations.
	-----		Service Note: If after making a visual inspection and it is determined that the Model 83100 series engine cannot be used because of equipment interference, the engine should be repaired with a short block and/or individual parts.
	-----		Service Note: Replacement engine listed is not available in the State of California. Repair with individual parts.
	-----		Service Note: For all Go-Karts use only a Model 136200 series engine as a replacement, regardless of the original Model.

Not For Reproduction



121 CARBURETOR OVERHAUL KIT



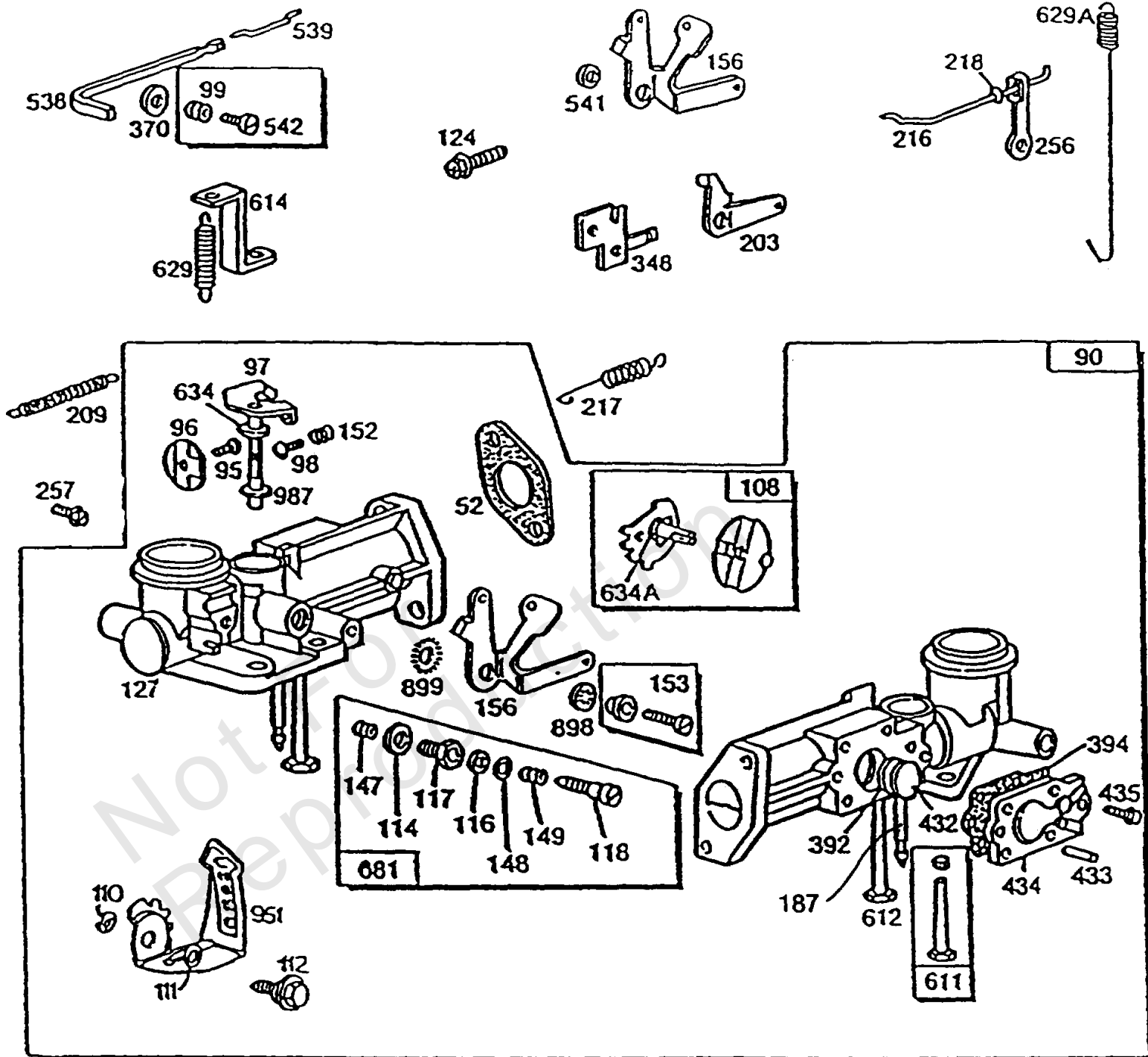
121 CARBURETOR OVERHAUL KIT

Rotary Choke Carburetor

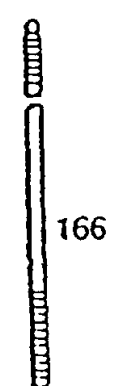
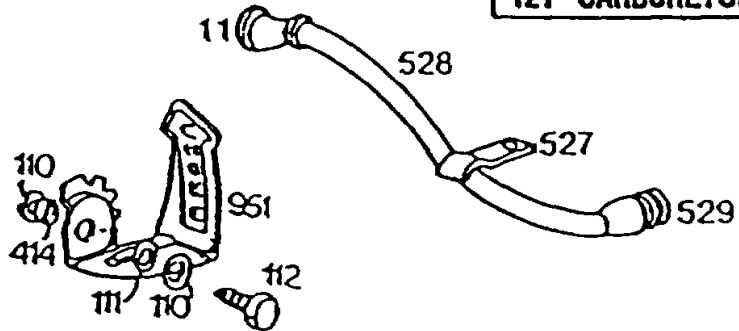
REF NO	PART NO	QTY	DESCRIPTION
11	66578		TUBE, Breather
52	27355		GASKET, Intake -(2) Included in Gasket Set-Part No. 397144
90	397939		CARBURETOR -(Rotary Choke) (2 Quart Tank) (Check Illustration.)
90	398049		CARBURETOR -(3 Quart Tank)
90	399633		CARBURETOR -(1 Quart) For Choke-A-Matic Carburetors, See Note and Check Illustration. (All Choke-a-Matic Carb. Use Ref. 256 Speed Adjuster Lever)
95	93499		SCREW -(Throttle Valve)
96	211203		VALVE, THROTTLE
97	297961		SHAFT, Throttle
98	93527		SCREW -(5-40 X 5/8)
99	393586		SCREW/SPRING, Governor Speed
108	397134		KIT, Choke Shaft
110	66432		WASHER -Used After Code Date 86011200 and Before Code Date 86011300
111	94060		WASHER
112	93686		SCREW -(10-32 X 5/8) -Used Before Code Date 86011300
112	94164		SCREW -Used After Code Date 86011200
114	66594		WASHER, Sealing -(Needle Valve) Included in Carburetor Overhaul Kit-Part No. 494624
116	65978		SEAL, O-Ring -(Needle Valve) Included in Carburetor Overhaul Kit-Part No. 494624
117	230590		NUT
118	23433		VALVE, Float Needle -Included in Carburetor Overhaul Kit-Part No. 494624
121	494624		KIT, Carburetor Overhaul
124	93357		SCREW
127	22831		PLUG, Welch
147	230591		SEAT, Needle Valve -Included in Carburetor Overhaul Kit-Part No. 494624
148	22235		WASHER -Included in Carburetor Overhaul Kit-Part No. 494624
149	26336		SPRING, Needle Valve -Included in Carburetor Overhaul Kit-Part No. 494624
152	260746		SPRING, Throttle Return
153	230531		SCREW
153	298031		SCREW -(Carburetor Lever)
153	93177		SCREW -(Bell Crank)
156	222955		LEVER, Control -For Choke-A-Matic Carb. Use Speed Adjuster Lever Ref. 256
166	231332		STUD -(Rotary Choke)
187	231067		LINE, Fuel -(2 Quart Tank)
187	231068		LINE, Fuel -(3 Quart Tank)

Footnotes:

(Used with Pull Choke Carburetors)



121 CARBURETOR OVERHAUL KIT



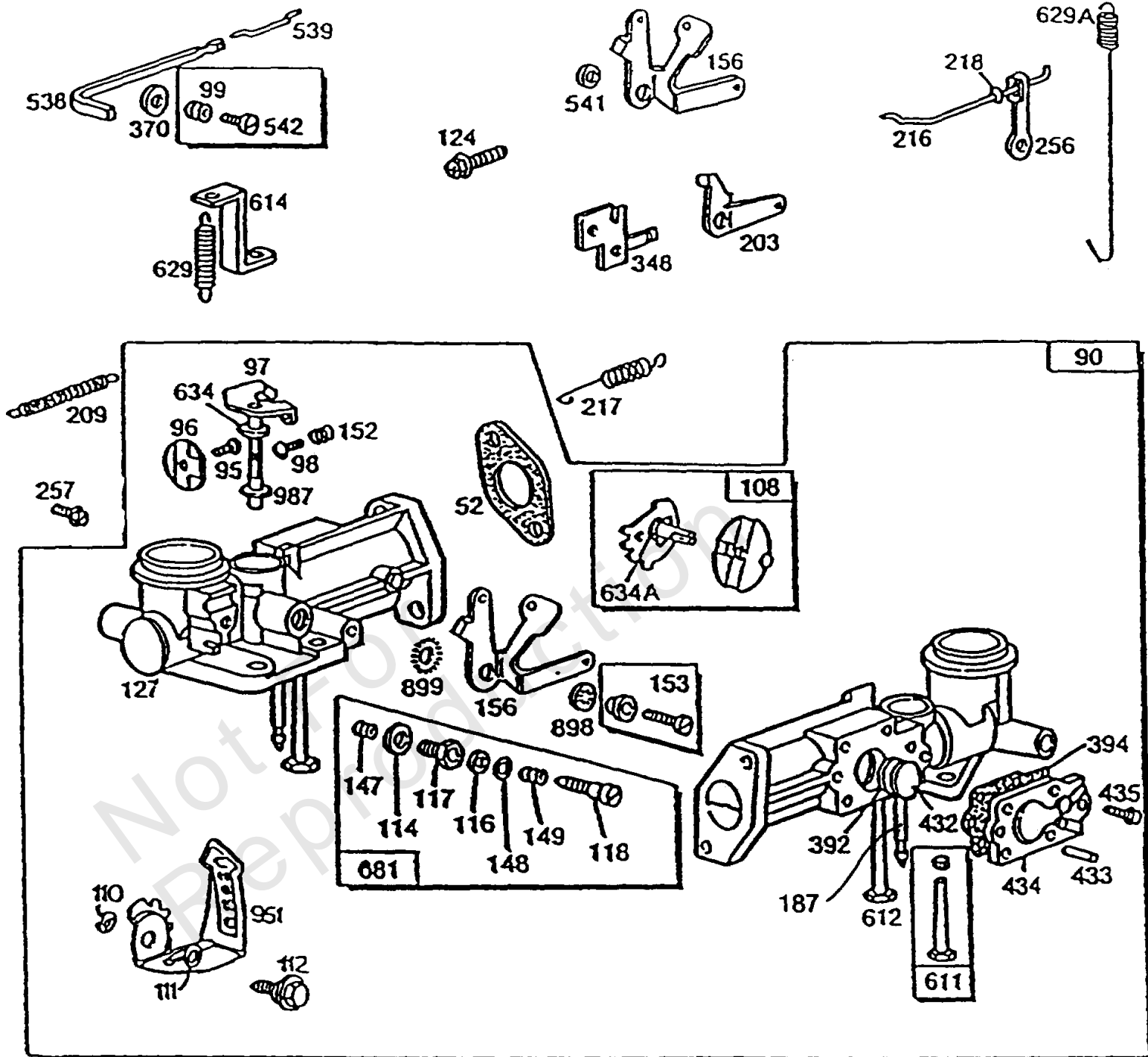
121 CARBURETOR OVERHAUL KIT

Rotary Choke Carburetor

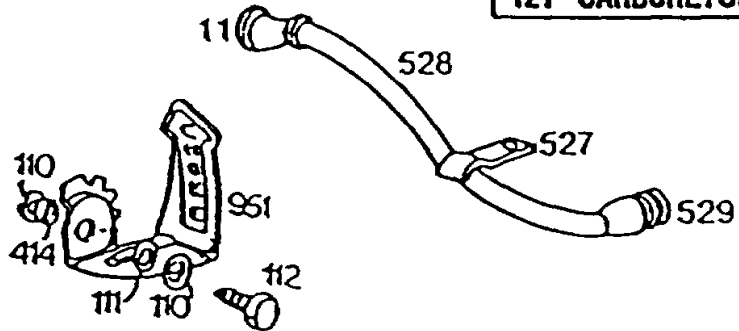
REF NO	PART NO	QTY	DESCRIPTION
203	221147		CRANK, Bell
209	260041		SPRING, Governor
216	262020		LINK, Choke
217	261951		SPRING, Choke Return
218	221198		WASHER
256	220952		LEVER, Speed Adjuster
257	93543		SCREW -(10-32 X 3/8)
346	93705		SCREW -(8-32 X 3/8)
370	66432		WASHER
392	260455		SPRING, Pump Diaphragm
394	270026		DIAPHRAGM, Carburetor
432	221377		CAP, Spring
433	93265		PIN, Locating
434	210959		COVER, Diaphragm
435	93141		SCREW -(Diaphragm Cover)
527	221514		CLAMP, Tube -(Rotary Choke) -Used After Code Date 84100100
528	231383		TUBE, Breather -(Rotary Choke)
529	67608		GROMMET -Used Before Code Date 84100200
529	67838		GROMMET -Used After Code Date 84100100
538	260683		ROD, Control -(Square Rod)
539	260684		LINK, Mechanical Governor -(Square Rod)
541	22398		WASHER
542	393586		SCREW/SPRING, Governor Speed
611	391813		TUBE-PICK UP -(2 And 3 Quart Tanks)
612	296811		TUBE, Pick Up
614	221384		BRACKET, Rod
629	260546		SPRING, Throttle Return -(Throttle Return)
634A	270382		WASHER -(Foam)
634	270167		SEAL, Choke/Throttle Shaft -Used Before Code Date 85081200
634	271853		WASHER -(Foam) -Used After Code Date 85081100
681	299060		VALVE, High Speed -(Threaded)
898	92507		WASHER
899	396579		GUARD, Debris Screen -(Includes Mounting Hardware)
899	93397		WASHER
951	223286		LEVER, Choke

Footnotes:

(Used with Pull Choke Carburetors)



121 CARBURETOR OVERHAUL KIT



121 CARBURETOR OVERHAUL KIT

Rotary Choke Carburetor

REF NO	PART NO	QTY	DESCRIPTION
987	398970		SEAL, Throttle Shaft -(Lmt 46, 49, 50, 51, 53, 86) -Used After Code Date 85081100

Not For
Reproduction

Footnotes:

(Used with Pull Choke Carburetors)

