

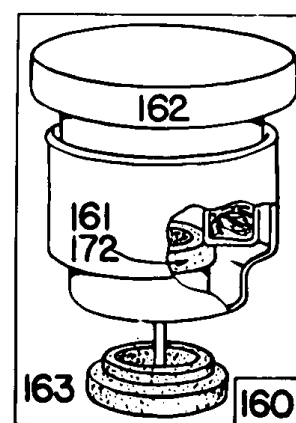
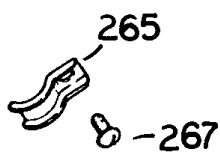
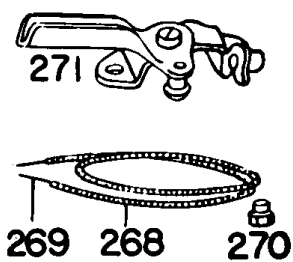
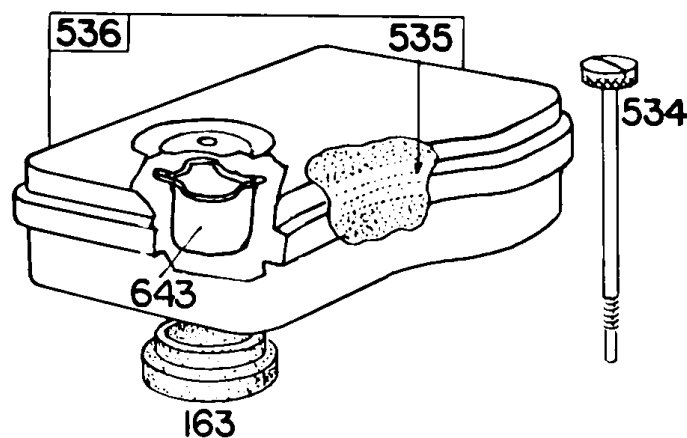
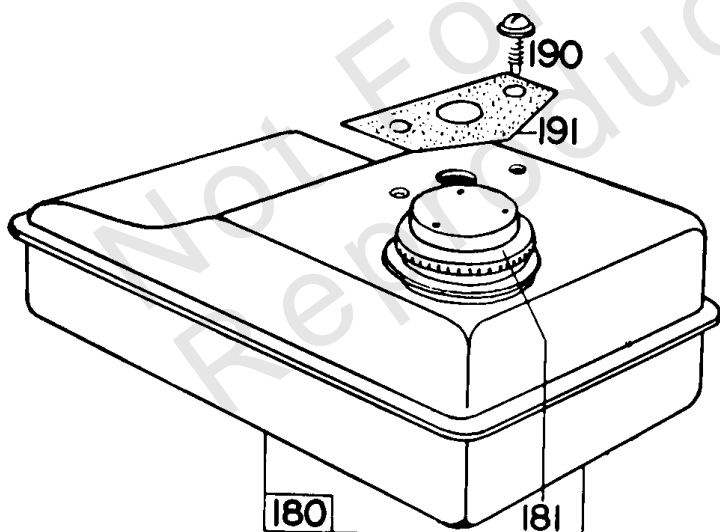
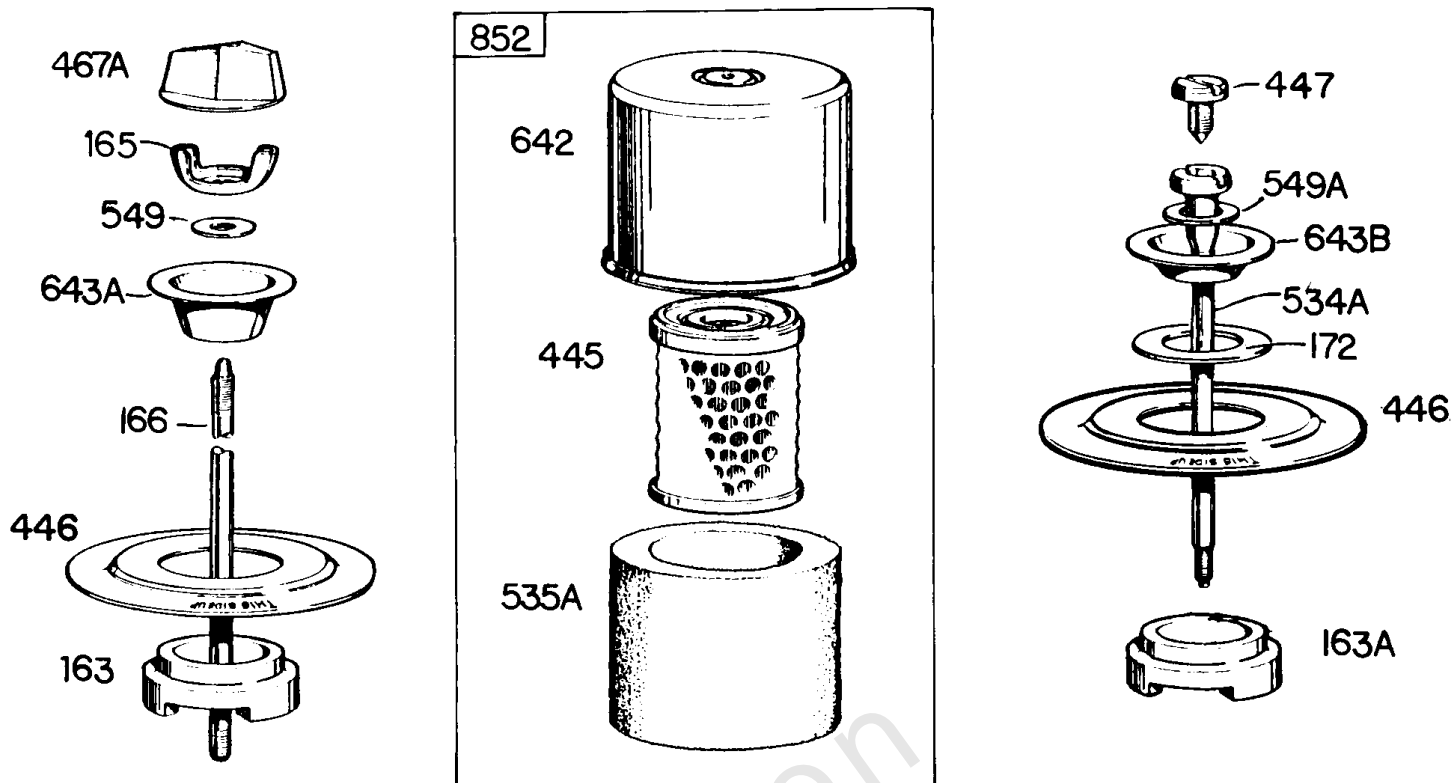


Parts Manual

Mfg. No: 061102-0136-99

Model Components	Page
Air Cleaner Grp, Fuel Grp.	4
Carburetor Assy.	8
Cylinder, Cover, Muffler.	12
Flywheel, Blower Hsg, Elect.	22
Replacement Engine - US & Canada.	28
Starters.	29

Not For
Reproduction

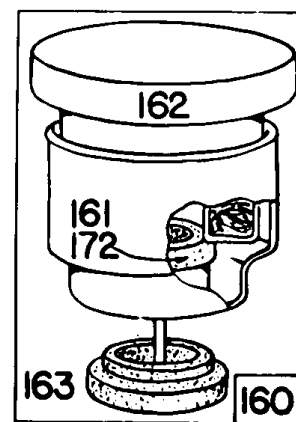
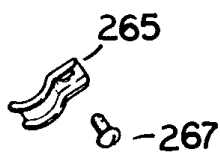
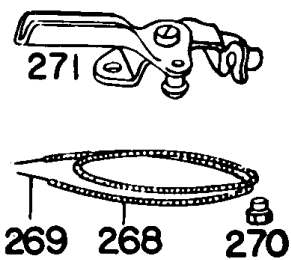
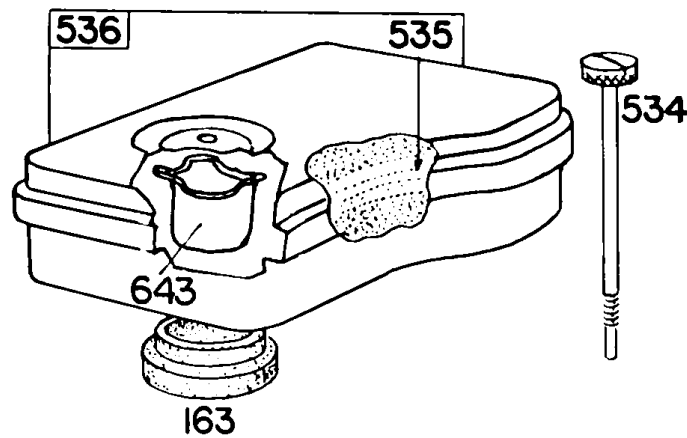
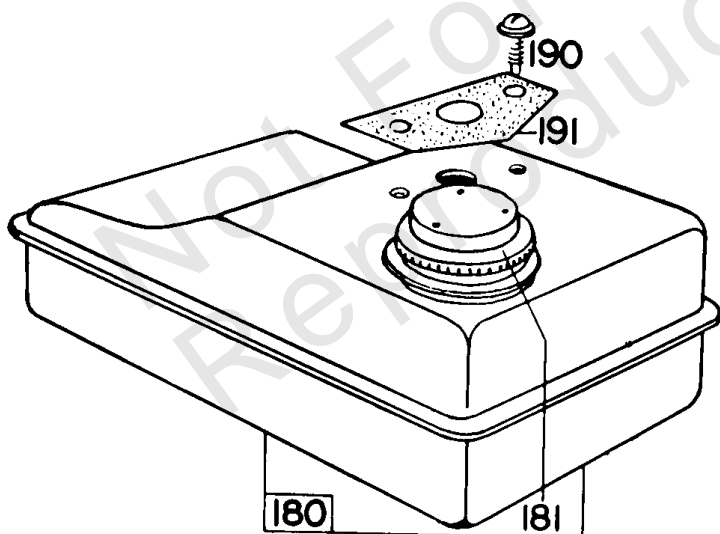
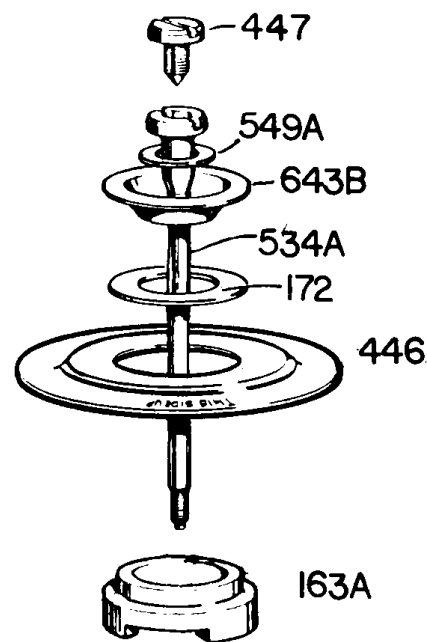
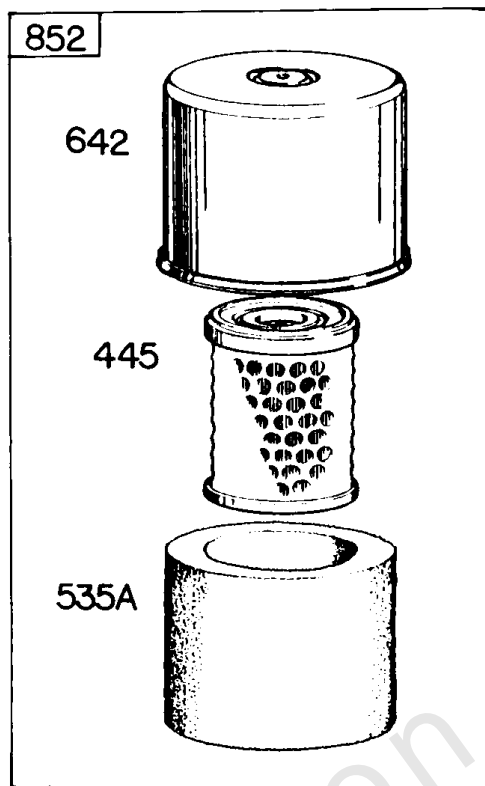
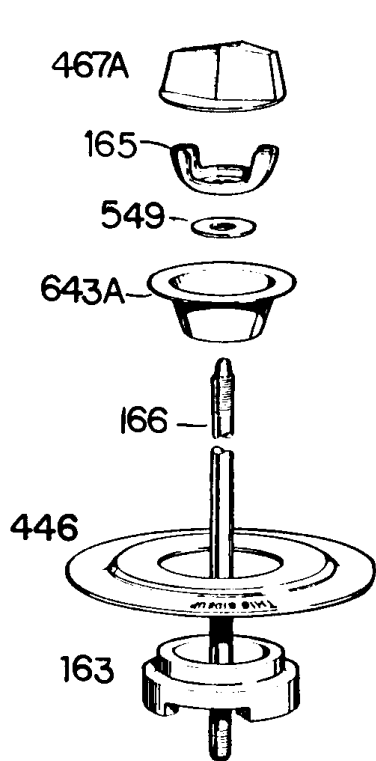


Air Cleaner Grp, Fuel Grp

REF NO	PART NO	QTY	DESCRIPTION
160	294870		CLEANER, Air -(With Mounting Stud)
161	293991		CLEANER, Air
162	294861		COVER, Air Cleaner -(With Mounting Stud)
163A	270488		GASKET, Air Cleaner -(Yellow)
163	27660		GASKET, Air Cleaner
165	93856		NUT -(10-32)
166	231176		STUD -(Air Cleaner) (3/16)
172	27795		GASKET, Air Cleaner -(Air Cleaner)
180	291834		TANK, Fuel -Used Before Code Date 80030300
180	29865		TANK, Fuel -Uses: 29863 Outlet Assy. 62007 Clamp-Tank Holding (2) 63058 Connector 65294 Gasket-Outlet Assembly 65787 Gasket-Connector
180	394522		TANK, Fuel
180	395502		TANK, Fuel -Used After Code Date 80030200
181	298425		CAP, Fuel Tank -(Metal)
181	69221		CAP, Fuel Tank -(1 3/4 O.D. Top) -Used Before Code Date 6108030
190	93440		SCREW
191	27404		GASKET, Fuel Tank -Included in Gasket Set-Part No. 297275
265	221407		CLAMP, Casing
267	93067		SCREW -(3/8)
268	66986		CASING, Control Wire -(Cut To Required Length)
269	26099		WIRE, Control -(Cut To Required Length) If longer wire is needed specify length in inches; if shorter wire is needed order No. 26099 and cut to required length.
270	63426		NUT -(Control Wire Casing)
271	290568		LEVER, Control
445	392308		FILTER, A/C Cartridge
446	222844		BASE, Air Cleaner
447	93913		SCREW
467A	212293		KNOB, Choke Shaft
534A	93825		SCREW -(Air Cleaner)
534	93322		SCREW -(1 15/16)
534	93568		SCREW -(Air Cleaner)
535A	270979		FILTER, Air Cleaner Foam
535	27987		FILTER, Air Cleaner Foam

Footnotes:

on cables integral with Ignition Coil
Cables used after this Serial No. are integral with the Ignition Coil
Used on engines



Air Cleaner Grp, Fuel Grp

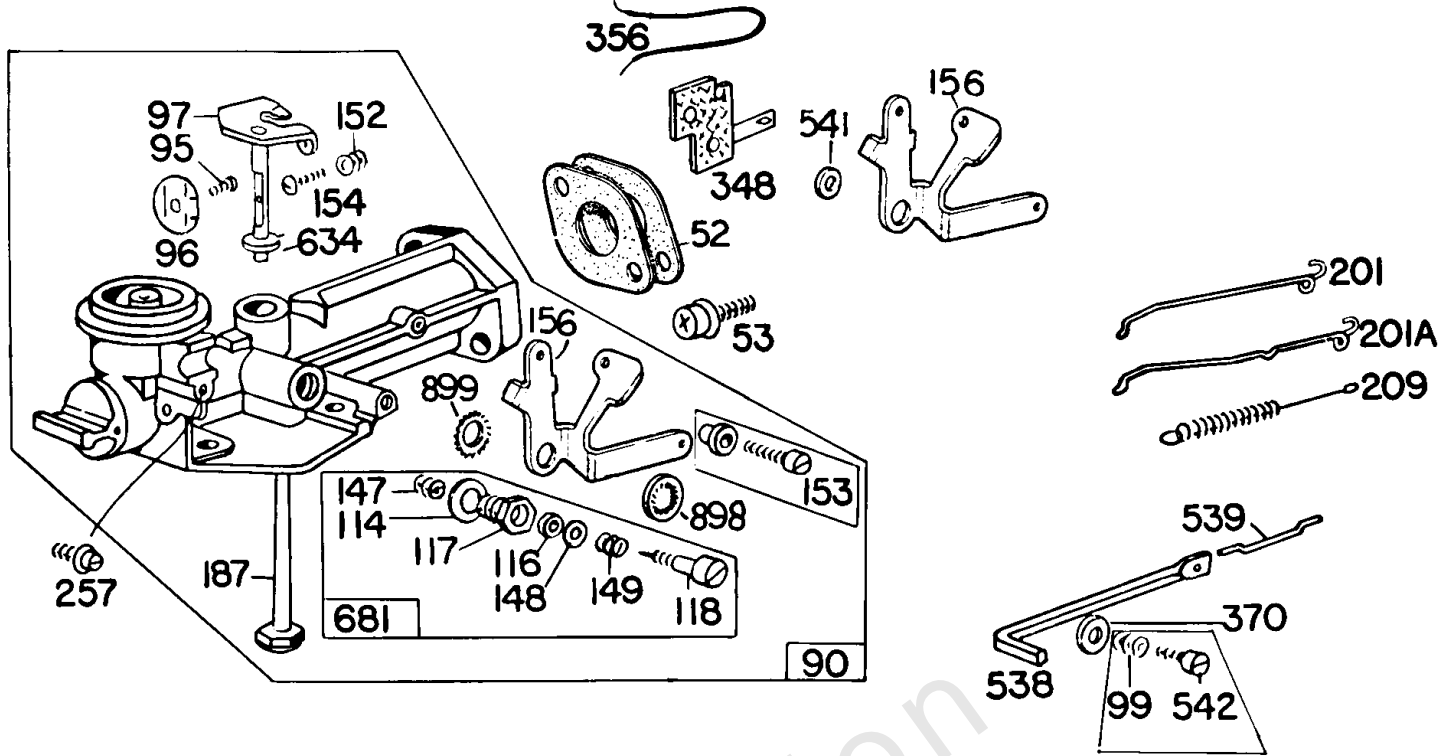
REF NO	PART NO	QTY	DESCRIPTION
536	296767		CLEANER, Air
549A	270978		WASHER -(Below Internal Screw Head)
549	271118		WASHER
642	222626		COVER, Air Cleaner
643A	222845		SUPPORT, Foam Element -(1/2 Deep)
643B	222594		SUPPORT, Foam Element -(1/4 Deep)
643	222991		CUP, Air Cleaner
852	392368		CLEANER, Air -For Dual Element Air Cleaner Kit Order Part No. 393018

Not For
Reproduction

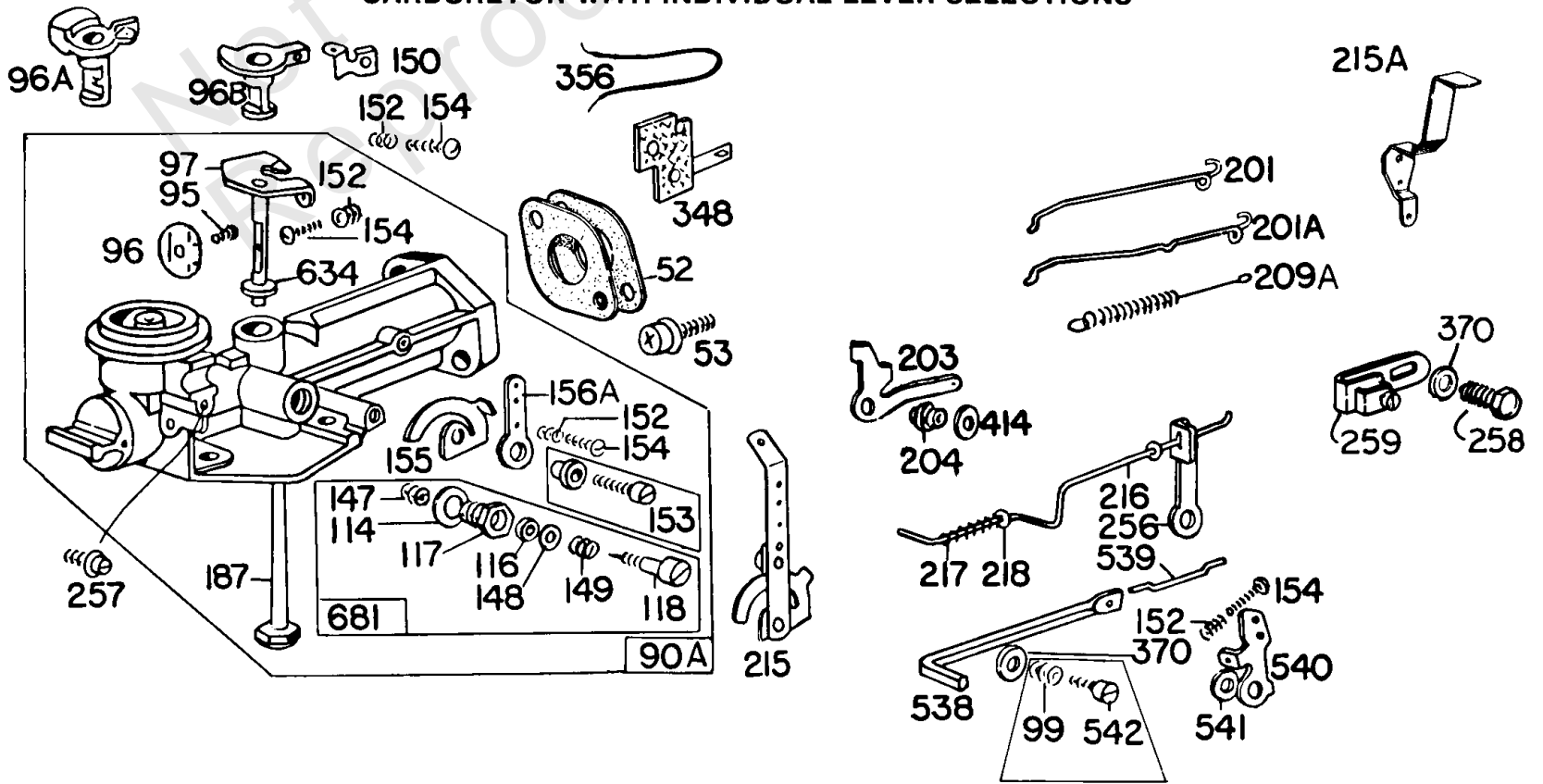
Footnotes:

on cables integral with Ignition Coil
Cables used after this Serial No. are integral with the Ignition Coil
Used on engines

CARBURETOR WITH MULTI-PURPOSE SPEED ADJUSTER LEVER



CARBURETOR WITH INDIVIDUAL LEVER SELECTIONS



Carburetor Assy

REF NO	PART NO	QTY	DESCRIPTION
52	27355		GASKET, Intake -(2) Included in Gasket Set-Part No. 297275
53	93357		SCREW
90A	296396		CARBURETOR -(Choke-A-Matic)
90A	295492		CARBURETOR -(Choke-A-Matic)
90	393974		CARBURETOR -(Uses 222955 Ref. 156 Lever)
95	93499		SCREW -(Throttle Valve)
96	211286		VALVE, Throttle
97	392819		SHAFT, Throttle
99	393586		SCREW/SPRING, Governor Speed
114	65787		SEAT, Needle Valve
116	65978		SEAL, O-Ring -(Needle Valve)
117	23431		NUT, Needle Valve
118	23433		VALVE, Float Needle
147	23432		SEAT, Needle Valve
148	22235		WASHER
149	26336		SPRING, Needle Valve
150	220105		LINK, Mechanical Governor -Used Before Code Date 6610122
152	260575		SPRING, Throttle Return
153	298031		SCREW -(Carburetor Lever)
154	93527		SCREW -(5-40 X 5/8)
155	220107		LEVER, Speed Adjuster
156A	220949		LEVER, Control
156	222955		LEVER, Control
187	293700		LINE, Fuel -(Used To Replace Brass Pipes)
187	296476		TUBE, Pick Up -(Used To Replace Plastic Pipes)
201A	260716		LINK, Choke -Used Before Code Date 6610121
201	260040		LINK, Choke -Used After Code Date 6610111
204	230531		SCREW
209A	260041		SPRING, Governor -To replace Governor Spring
209A	260662		SPRING, Governor
209	260041		SPRING, Governor
215A	222110		LEVER, Control -Uses: 222108 Plate-Detent 230943 Bushing-Lever 261053 Link-Control 93569 Washer-Spring
215	293424		LEVER, Governor Control
216	260188		LINK, Choke
217	260189		SPRING, Friction
218	220968		WASHER -(Choke Link)

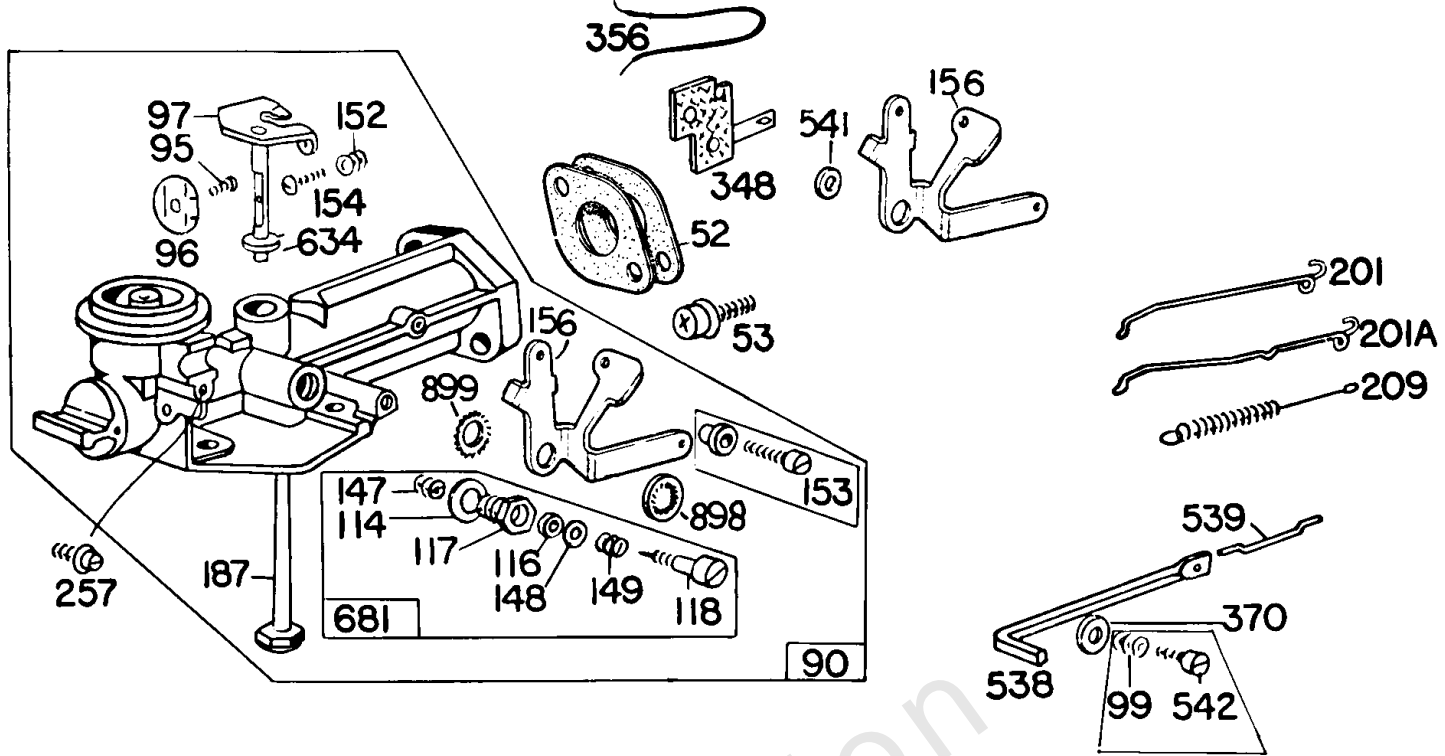
Footnotes:

on cables integral with Ignition Coil

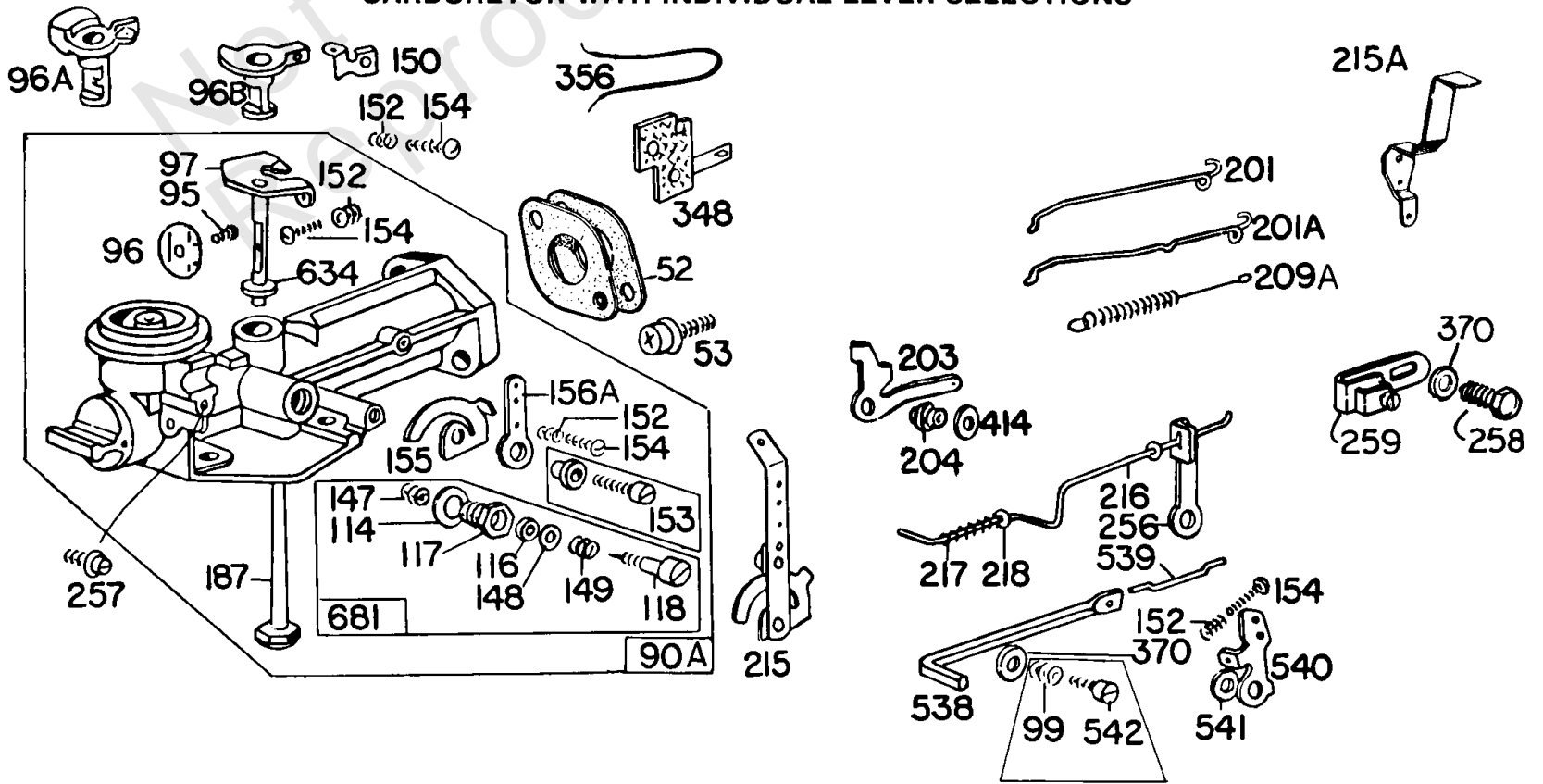
Cables used after this Serial No. are integral with the Ignition Coil

Used on engines

CARBURETOR WITH MULTI-PURPOSE SPEED ADJUSTER LEVER



CARBURETOR WITH INDIVIDUAL LEVER SELECTIONS



Carburetor Assy

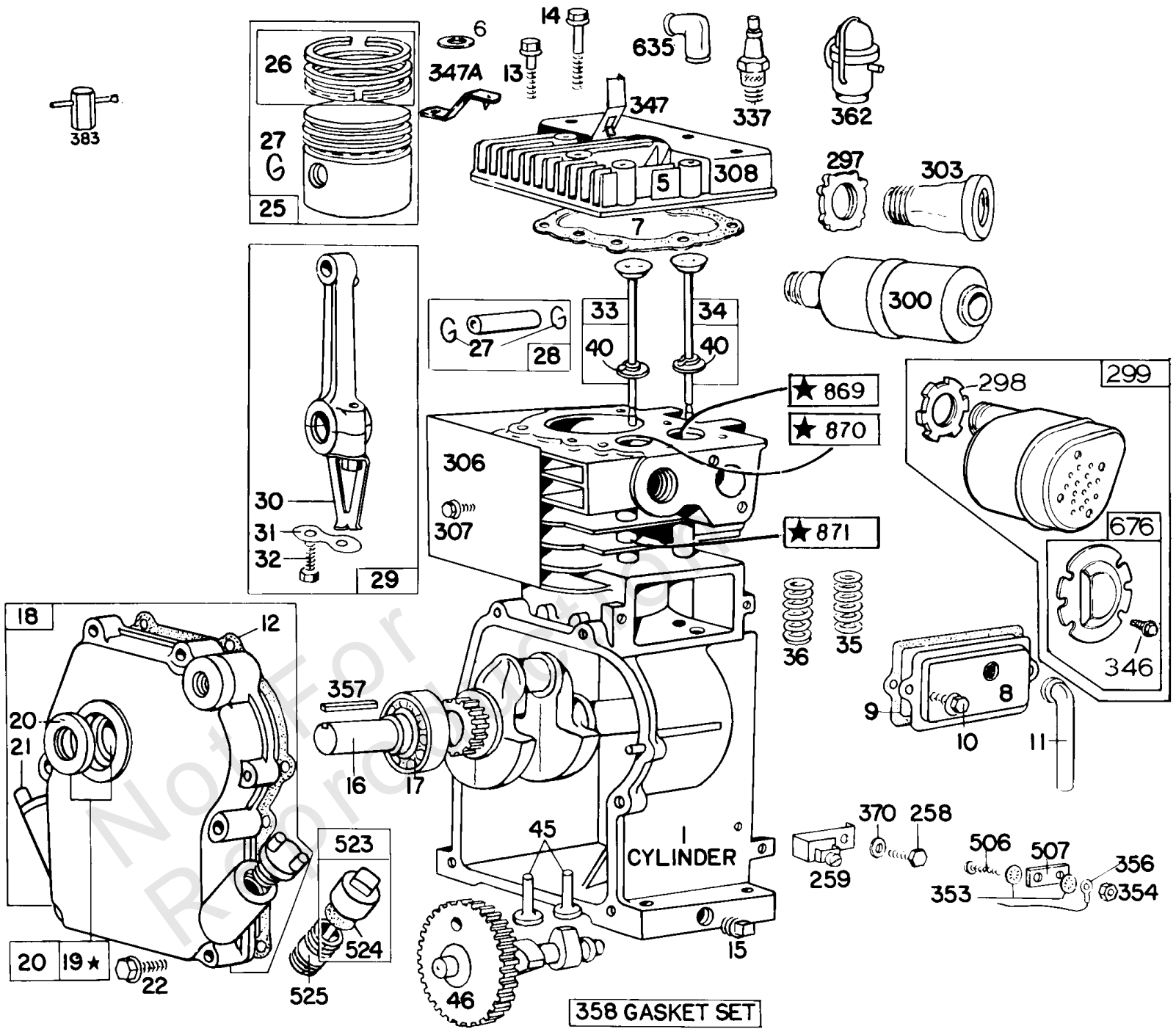
REF NO	PART NO	QTY	DESCRIPTION
256	296370		LEVER, Governor Control
257	93543		SCREW -(10-32 X 3/8)
258	93062		SCREW
259	294502		BRACKET, Control
348	296110		SWITCH, Stop
356	391115		WIRE, Stop
356	93167		SCREW -Used to fasten Ground Wire to Stop Switch (Ref. No. 348) on earlier model engines.
370	66432		WASHER
414	220982		WASHER
538	260683		ROD, Control -(Square Rod) For Round Wire Rod Order: 260560 Rod-Speed Control
539	260684		LINK, Mechanical Governor -(Square Rod)
540	221380		LEVER, Control
541	22398		WASHER
542	221372		CLIP, Control Rod -Used only with Round Wire Control Rod.
542	393586		SCREW/SPRING, Governor Speed
542	93686		SCREW -(10-32 X 5/8)
634	270167		SEAL, Choke/Throttle Shaft -(Felt)
681	299059		KIT, Needle Valve
898	92507		WASHER
899	93397		WASHER

Footnotes:

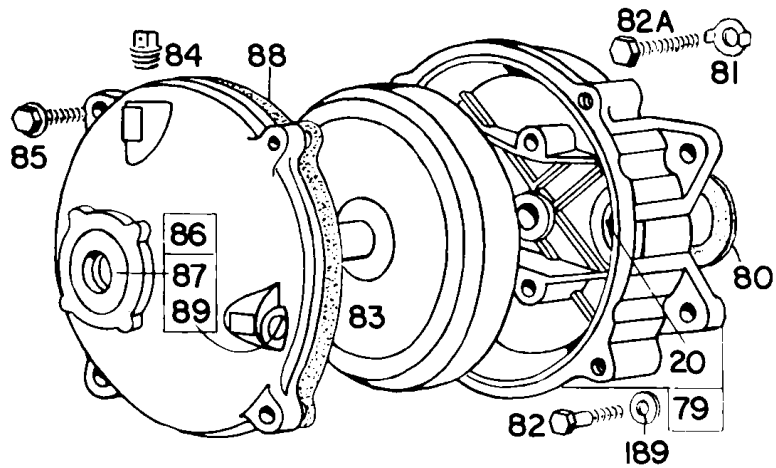
on cables integral with Ignition Coil

Cables used after this Serial No. are integral with the Ignition Coil

Used on engines



*** SPECIAL TOOLS REQUIRED TO INSTALL**
SEE REPAIR INSTRUCTION MANUAL

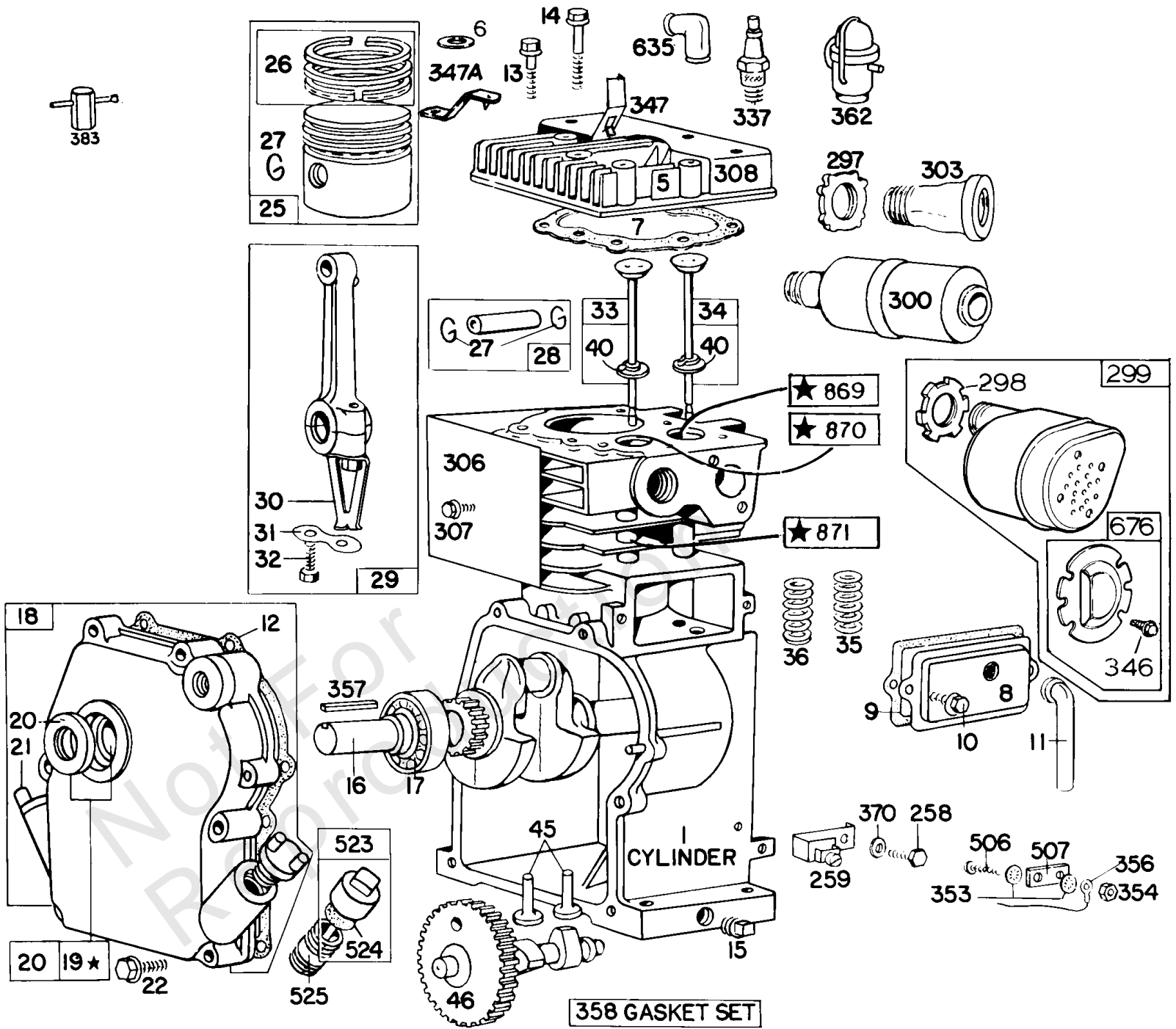


Cylinder, Cover, Muffler

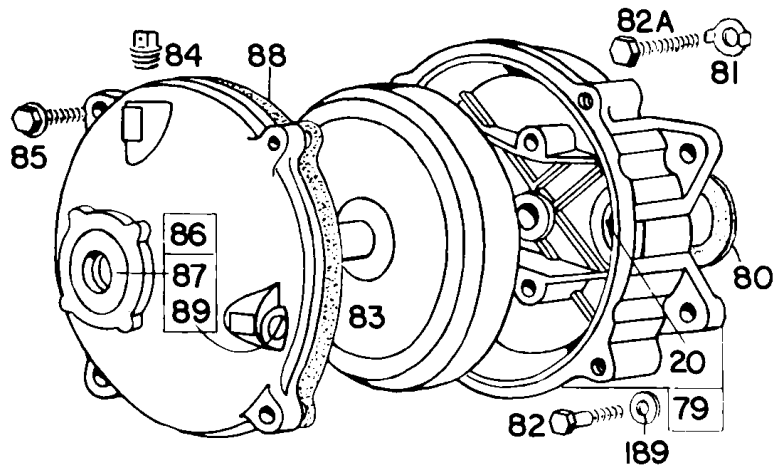
REF NO	PART NO	QTY	DESCRIPTION
1	294301		CYLINDER ASSEMBLY -Used Before Code Date 5810060
1	295469		CYLINDER ASSEMBLY -Used Before Code Date 5810060
1	296561		CYLINDER ASSEMBLY -Used After Code Date 5810030
1	296610		CYLINDER ASSEMBLY -Used After Code Date 5810030
5	210209		HEAD, Cylinder -Used Before Code Date 5810060
5	210812		HEAD, Cylinder -Used After Code Date 5810030
6	22963		WASHER
7	27670		GASKET, Cylinder Head -Included in Gasket Set-Part No. 297275
8	294178		COVER, Breather Passage
9	27549		GASKET, Rocker Cover -Included in Gasket Set-Part No. 297275
10	93394		SCREW
11	66638		TUBE, Breather
12	270833		GASKET, Crankcase -(.015) Included in Gasket Set-Part No. 297275
12	270895		GASKET, Crankcase -(.005) Included in Gasket Set-Part No. 297275
12	270896		GASKET, Crankcase -(.009) Included in Gasket Set-Part No. 297275
13	93111		SCREW -(15/16)
13	93583		STUD -(Cylinder Head)
14	93113		SCREW -(2 5/16) (2-5/16)
14	93583		STUD -(Cylinder Head)
15	91249		PLUG, Oil Drain -(1/4 Square)
16	260271		CRANKSHAFT
17	99158		BEARING-BALL
18	394820		COVER, Crankcase -(Plain Bearing) -Used After Code Date 81120800
18	394879		COVER, Crankcase -Used After Code Date 81120800
18	394909		COVER, Crankcase -Used After Code Date 81120800
18	395259		COVER, Crankcase -Used After Code Date 81120800
19	293708		KIT, Bushing/Seal -(Plain Bearing)
20	299819		SEAL, Oil -(Plain Bearing)
21	66768		PLUG, Oil
22	93032		SCREW -(Fuel Tank) (Tank)

Footnotes:

on cables integral with Ignition Coil
Cables used after this Serial No. are integral with the Ignition Coil
Order No. 394516 Muffler-Exhaust (Includes 270488 Gasket-Air Cleaner)
Used on engines



*** SPECIAL TOOLS REQUIRED TO INSTALL**
SEE REPAIR INSTRUCTION MANUAL

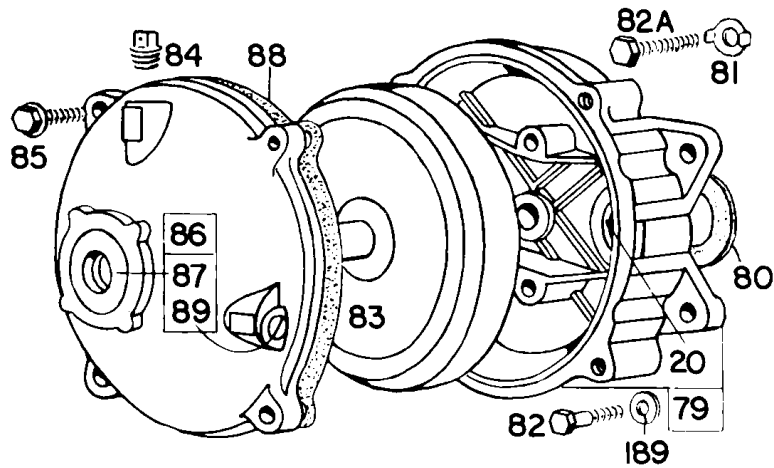
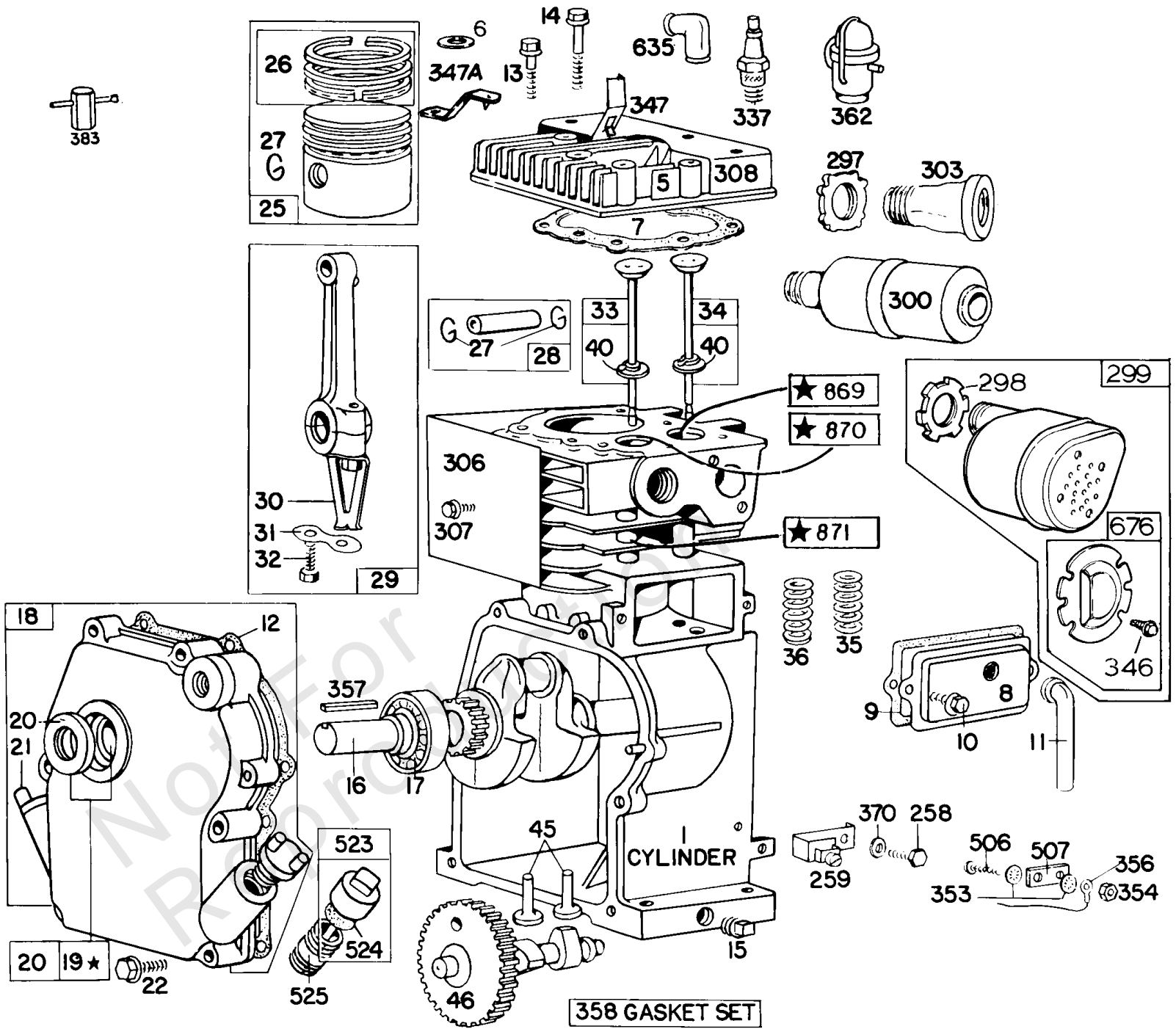


Cylinder, Cover, Muffler

REF NO	PART NO	QTY	DESCRIPTION
22	93656		STUD
25	293400		PISTON ASSEMBLY -(2-5/16 Bore) -Used Before Code Date 5810060
25	293401		PISTON ASSEMBLY -(2-5/16 Bore) -Used Before Code Date 5810060
25	293402		PISTON ASSEMBLY -(2-5/16 Bore) -Used Before Code Date 5810060
25	293403		PISTON ASSEMBLY -(2-5/16 Bore) -Used Before Code Date 5810060
25	295455		PISTON ASSEMBLY -Used After Code Date 5810030
25	295456		PISTON ASSEMBLY -(.010 Oversize) -Used After Code Date 5810030
25	295457		PISTON ASSEMBLY -(.020) -Used After Code Date 5810030
25	295458		PISTON ASSEMBLY -(.030 Oversize) -Used After Code Date 5810030
25	295479		PISTON ASSEMBLY -(2-5/16 Bore) -Used Before Code Date 5810060
25	295480		PISTON ASSEMBLY -(2-5/16 Bore) -Used Before Code Date 5810060
25	295481		PISTON ASSEMBLY -(2-5/16 Bore) -Used Before Code Date 5810060
25	295482		PISTON ASSEMBLY -(2-5/16 Bore) -Used Before Code Date 5810060
25	295587		PISTON ASSEMBLY -Used After Code Date 5810030
25	295588		PISTON ASSEMBLY -(2-3/8 Bore) -Used After Code Date 5810030
25	295589		PISTON ASSEMBLY -(2-3/8 Bore) -Used After Code Date 5810030
25	295590		PISTON ASSEMBLY -(2-3/8 Bore) -Used After Code Date 5810030
26	293506		SET, Ring -Used Before Code Date 5810060
26	293507		SET, Ring -(.010 Oversize) -Used Before Code Date 5810060
26	293508		SET, Ring -(.020 Oversize) -Used Before Code Date 5810060
26	293509		SET, Ring -(.030 Oversize) -Used Before Code Date 5810060

Footnotes:

on cables integral with Ignition Coil
Cables used after this Serial No. are integral with the Ignition Coil
Order No. 394516 Muffler-Exhaust (Includes 270488 Gasket-Air Cleaner)
Used on engines



*** SPECIAL TOOLS REQUIRED TO INSTALL**

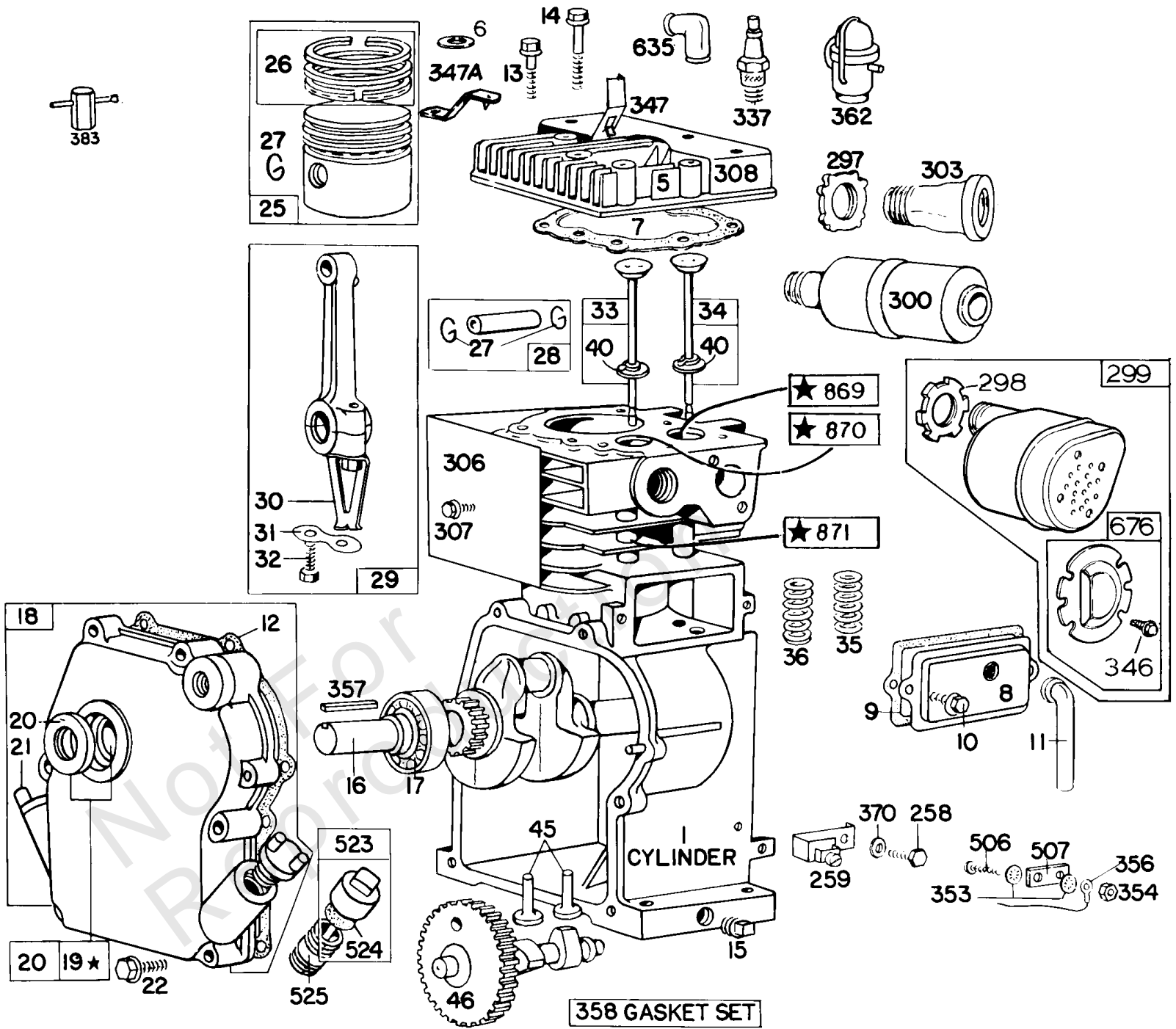
SEE REPAIR INSTRUCTION MANUAL

Cylinder, Cover, Muffler

REF NO	PART NO	QTY	DESCRIPTION
26	294224		SET, Ring -(.010 Oversize) -Used After Code Date 5810030
26	294225		SET, Ring -(.020 Oversize) -Used After Code Date 5810030
26	294226		SET, Ring -(.030 Oversize) -Used After Code Date 5810030
26	294232		SET, Ring -Used After Code Date 5810030
26	295649		SET, Ring -Used Before Code Date 5810060
26	295650		SET, Ring -(.010 Oversize) -Used Before Code Date 5810060
26	295651		SET, Ring -(.020 Oversize) -Used Before Code Date 5810060
26	295652		SET, Ring -(.030 Oversize) -Used Before Code Date 5810060
26	295657		SET, Ring -Used After Code Date 5810030
26	295658		SET, Ring -(.010 Oversize) -Used After Code Date 5810030
26	295659		SET, Ring -(.020 Oversize) -Used After Code Date 5810030
26	295660		SET, Ring -(.030 Oversize) -Used Before Code Date 5810030
26	297201		SET, Ring -(Standard)
27	26026		LOCK, Piston Pin
28	298908		PIN, Piston -(.005 Oversize)
28	298909		PIN, Piston
29	294300		ROD, Connecting
30	220459		DIPPER, Connecting Rod
31	220460		LOCK, Rod Screw
32	92296		SCREW -(Connecting Rod)
33	296676		VALVE, Exhaust -(Grooved Stem-Includes Retainer)
34	23386		VALVE, Intake -(With Hole In Stem) -Used Before Code Date 5810060
34	296677		VALVE, Intake -(Grooved stem-includes Retainer) -Used After Code Date 5810030
35	260552		SPRING, Valve -(Exhaust)
36	26478		SPRING, Valve -(Exhaust)

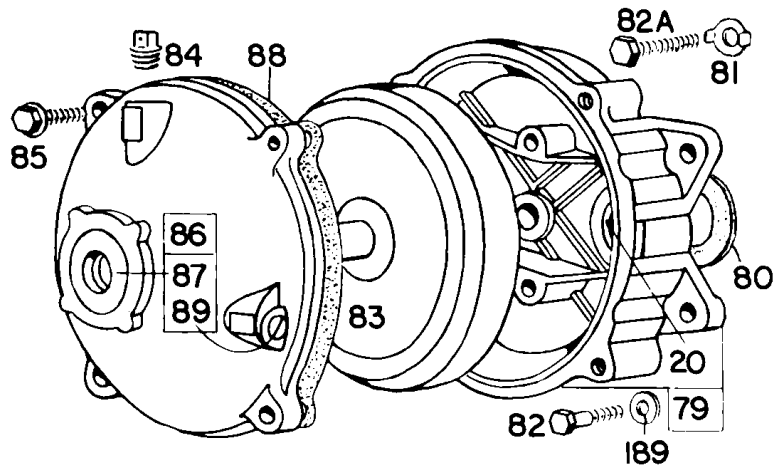
Footnotes:

on cables integral with Ignition Coil
Cables used after this Serial No. are integral with the Ignition Coil
Order No. 394516 Muffler-Exhaust (Includes 270488 Gasket-Air Cleaner)
Used on engines



*** SPECIAL TOOLS REQUIRED TO INSTALL**

SEE REPAIR INSTRUCTION MANUAL

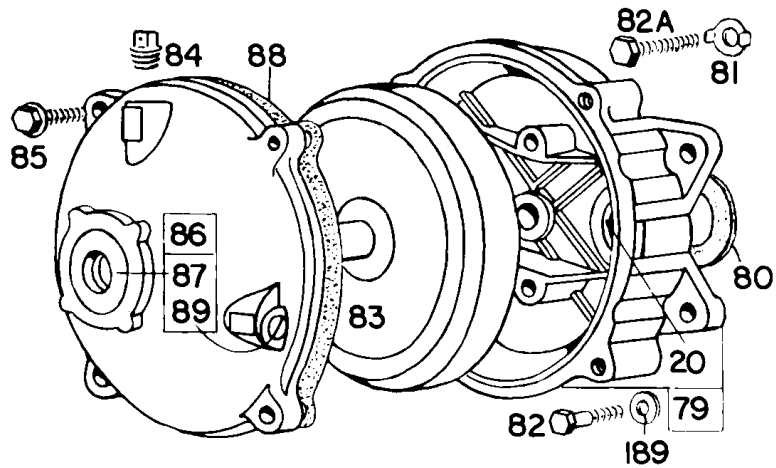
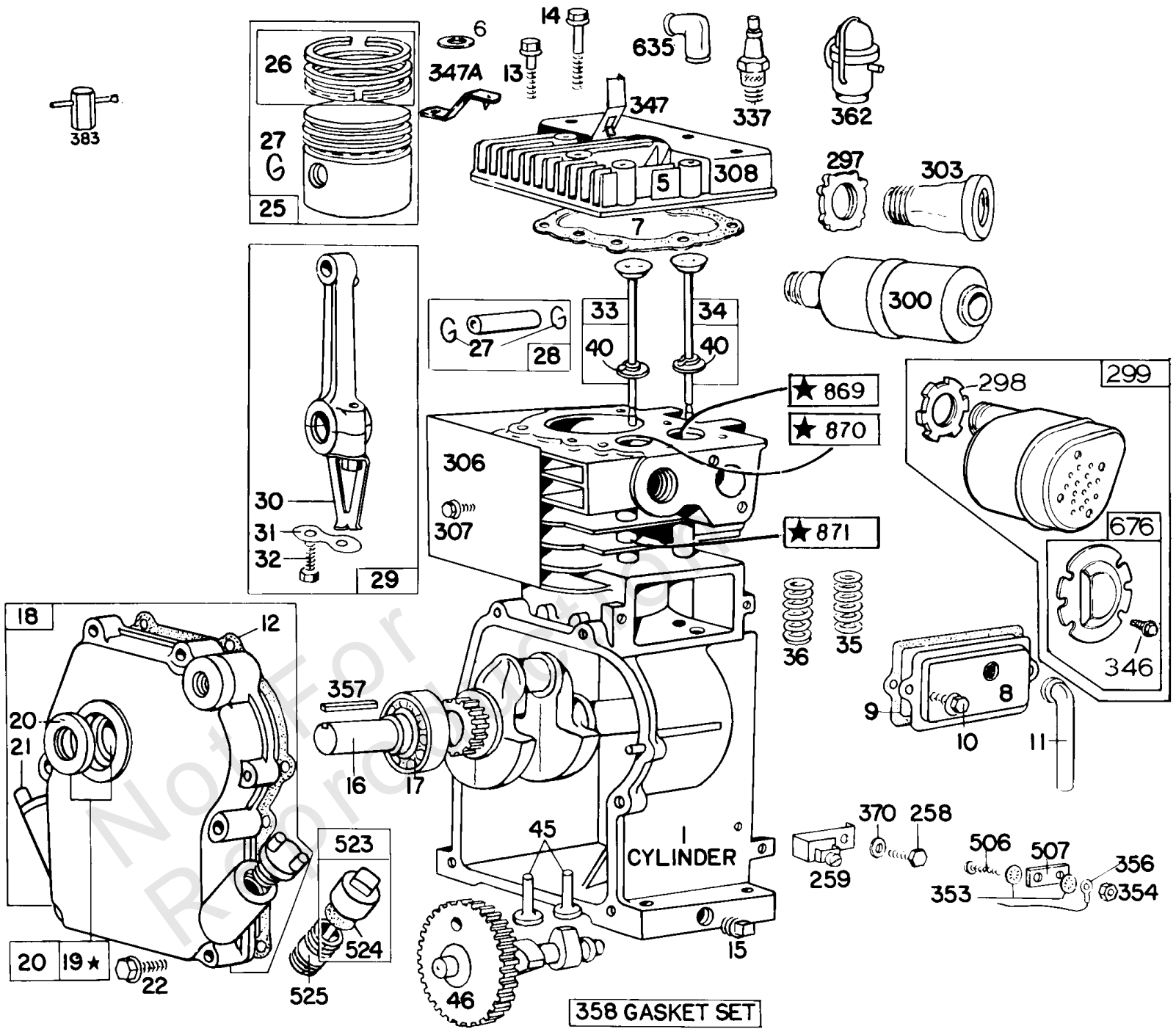


Cylinder, Cover, Muffler

REF NO	PART NO	QTY	DESCRIPTION
40	230126		PIN, Retainer
40	23184		RETAINER, Valve
40	23187		PIN, Locating -(Use with valves with hole in stem except with rotocap)
40	292259		RETAINER, Valve -(Exhaust)
40	93312		RETAINER, Valve -(Valves With Groove In Stem)
45	230173		TAPPET, Valve
46	210453		CAMSHAFT
79	290779		CASE, Gear Reduction
80	27667		GASKET, Gear Case
81	220234		LOCK, Muffler Screw
82A	92279		SCREW -(5/16-24 X 1/2)
82	91541		SCREW -(5/16-24 X 7/8)
83	211293		SHAFT, Auxiliary Drive
84	92617		SCREW -(Gear Case)
85	92747		SCREW -(Used on Two Top Holes to Mount Cover)
86	291730		COVER, Gear
87	19011		SEAL, Oil
88	27313		GASKET, Gear Cover/Housing
89	92015		PLUG, Oil Drain -(1/8 Standard) -Used Before Code Date 6304180
89	93448		PLUG, Oil Drain -(Flush) (1/4-18 NPTF) -Used Before Code Date 6304170
189	90366		WASHER
258	93062		SCREW
259	294502		BRACKET, Control
297	91811		LOCKNUT -(Elbow)
298	220859		LOCKNUT -(Muffler and Elbow)
299	392811		MUFFLER -(Lo Tone) -Used Before Code Date 80030300
300	89966		MUFFLER
303	91810		ELBOW, Exhaust -(45 Degree Street)
306	220478		SHIELD, Cylinder
307	93490		SCREW -(Rotating Screen)
337	293918		PLUG, Spark
337	29693		PLUG, Spark
337	298809		PLUG, Spark
337	392588		PLUG, Spark

Footnotes:

on cables integral with Ignition Coil
Cables used after this Serial No. are integral with the Ignition Coil
Order No. 394516 Muffler-Exhaust (Includes 270488 Gasket-Air Cleaner)
Used on engines



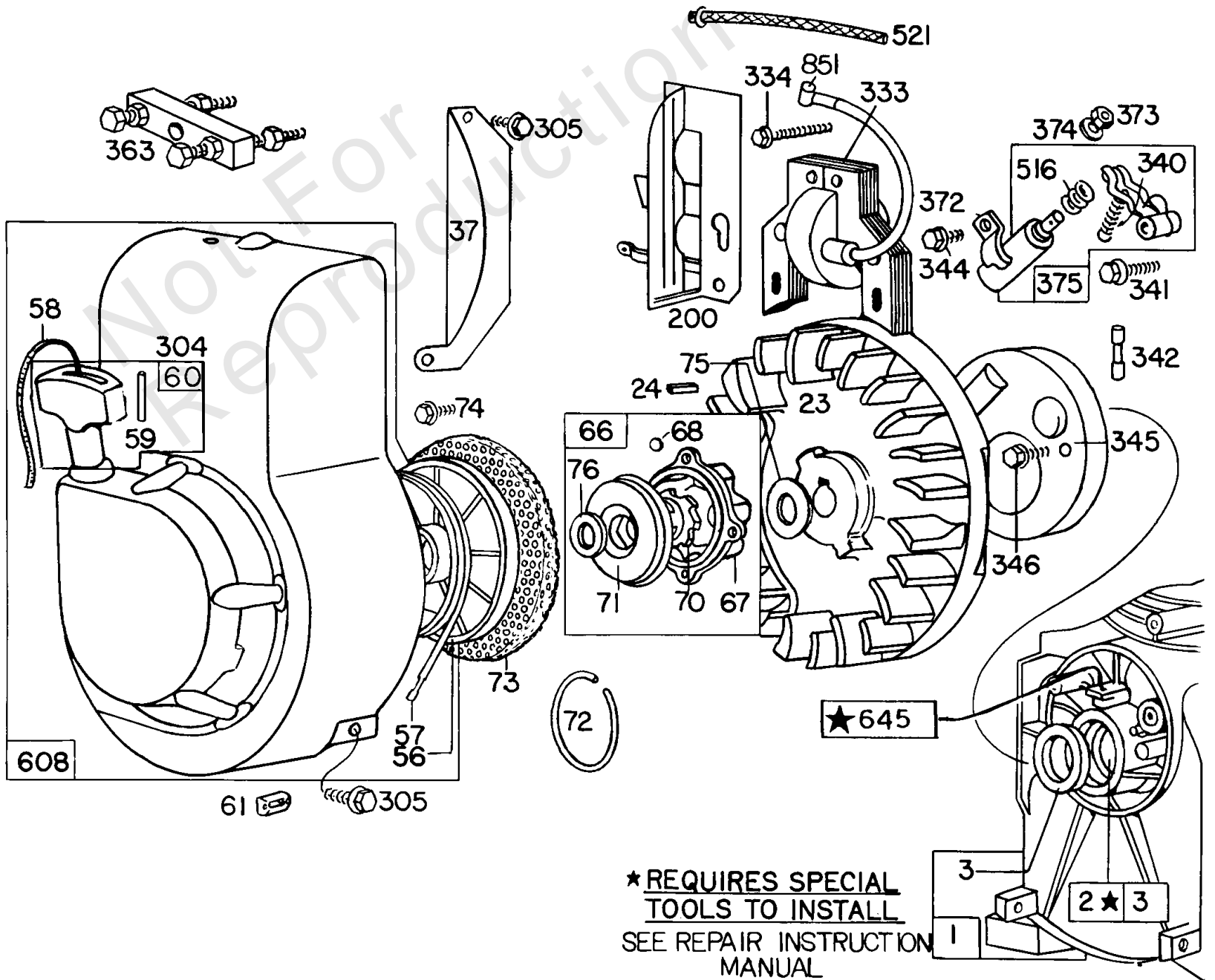
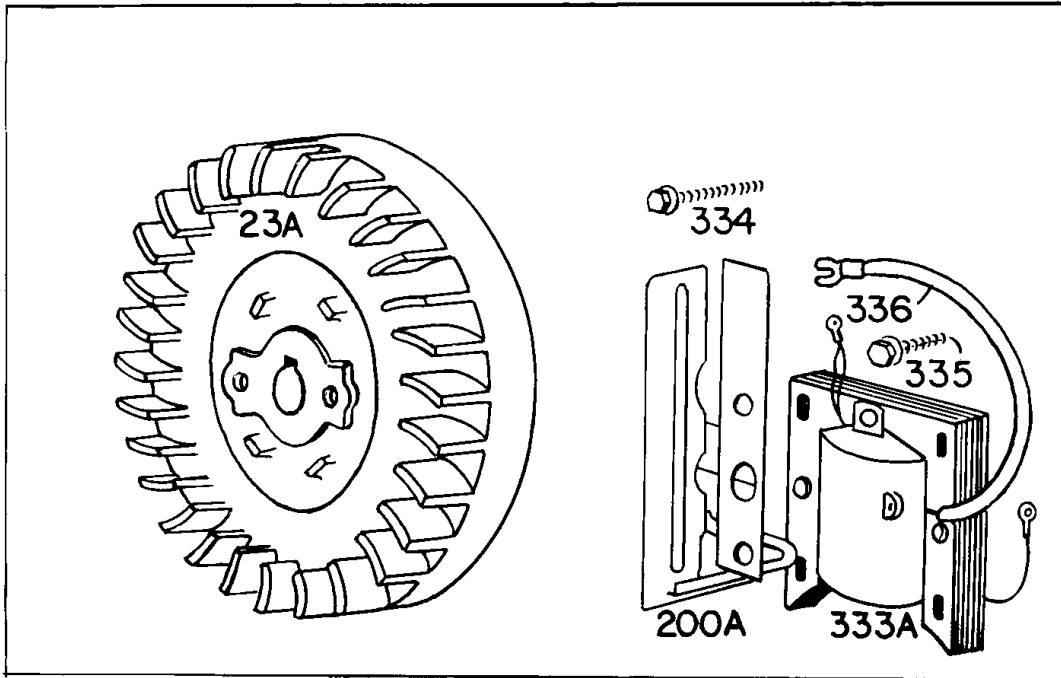
★ SPECIAL TOOLS REQUIRED TO INSTALL
SEE REPAIR INSTRUCTION MANUAL

Cylinder, Cover, Muffler

REF NO	PART NO	QTY	DESCRIPTION
337	394539		PLUG, Spark -(Resistor)
346	93705		SCREW -(8-32 X 3/8)
347A	298926		SWITCH, Spark Plug Stop
347	220884		SWITCH, Stop
347	221808		SWITCH, Stop
353	92791		WASHER
354	90576		NUT -(Ground Terminal)
356	391115		WIRE, Stop
356	93167		SCREW -Used to fasten Ground Wire to Stop Switch (Ref. No. 348) on earlier model engines.
357	91539		KEY, Drive Pulley -(3/16 Square)
358	297275		GASKET SET, Engine -(Used with Rotary Choke Carburetors)
362	291630		SHIELD, Spark Plug -(With Stop Switch)
370	66432		WASHER
383	89838		WRENCH, Spark Plug
506	90200		SCREW -(8-32 X 1/2)
507	66895		INSULATOR
523	69345		CAP, Oil Fill
524	65304		SEAL, O-Ring -(Dipstick Cap)
525	91258		TUBE, Dipstick -(2 1/2) Use 394884 Adapter-Oil Filler with Nipple
635	66538		BOOT, Spark Plug
676	393760		DEFLECTOR, Muffler
869	210879		SEAT, Valve -(Intake)
870	211291		SEAT, Valve -(Exhaust)
871	63709		BUSHING, Valve Guide -(Intake)

Footnotes:

on cables integral with Ignition Coil
Cables used after this Serial No. are integral with the Ignition Coil
Order No. 394516 Muffler-Exhaust (Includes 270488 Gasket-Air Cleaner)
Used on engines

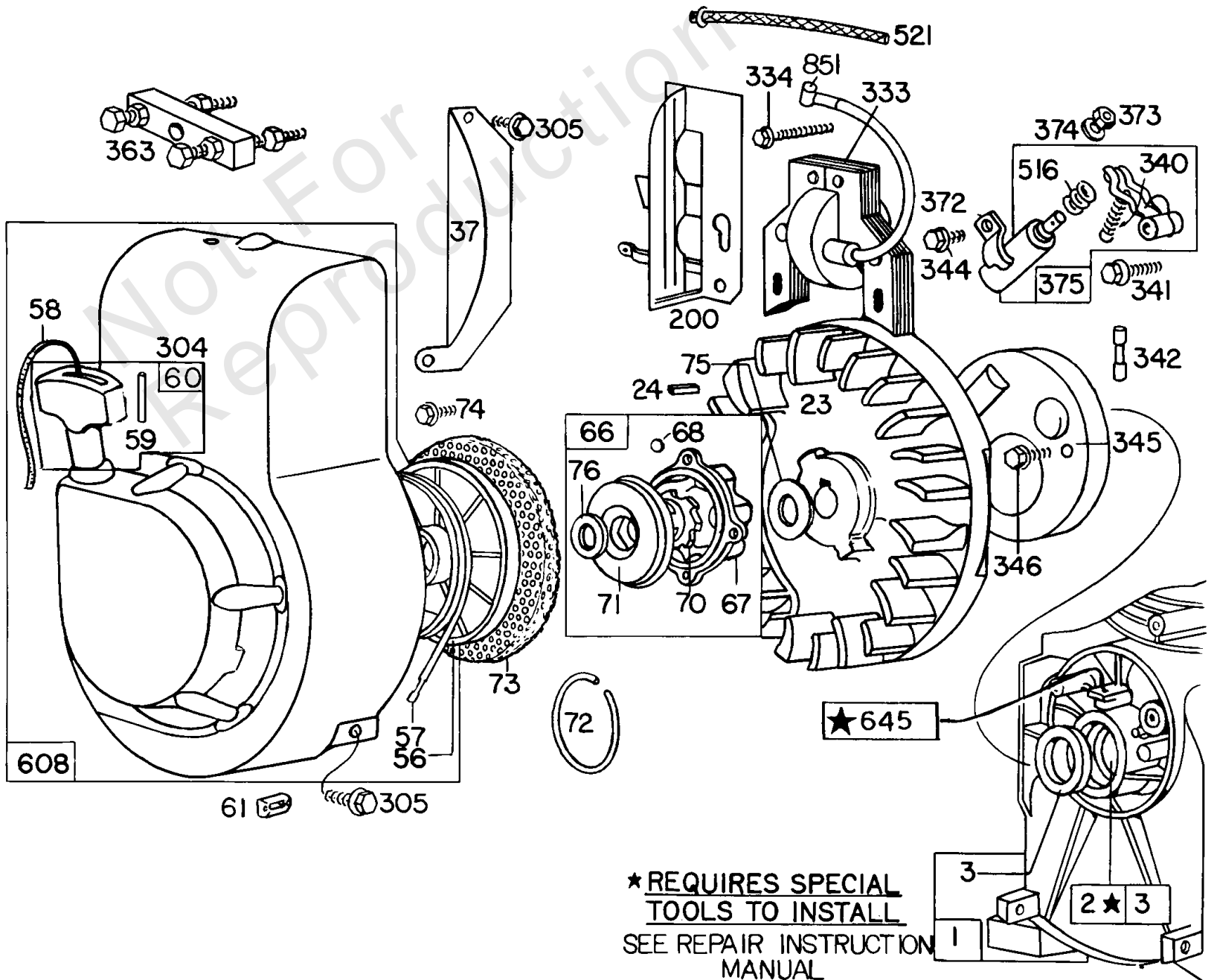
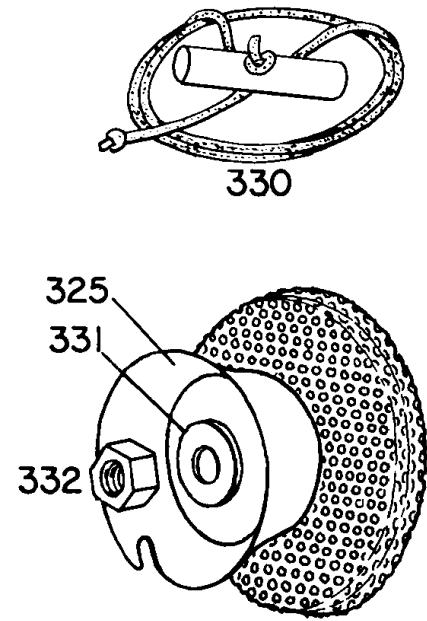
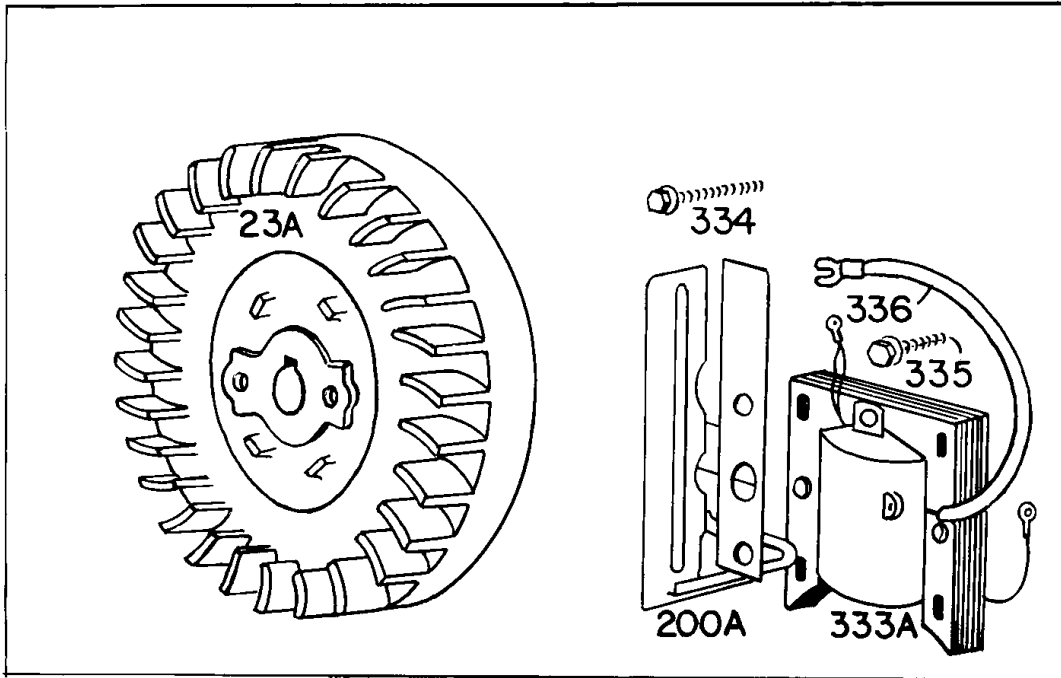


Flywheel, Blower Hsg, Elect

REF NO	PART NO	QTY	DESCRIPTION
1	294301		CYLINDER ASSEMBLY -Used Before Code Date 5810060
1	295469		CYLINDER ASSEMBLY -Used Before Code Date 5810060
1	296561		CYLINDER ASSEMBLY -Used After Code Date 5810030
1	296610		CYLINDER ASSEMBLY -Used After Code Date 5810030
2	293708		KIT, Bushing/Seal -(Plain Bearing)
3	299819		SEAL, Oil -(Plain Bearing)
23A	295936		FLYWHEEL -Used Before Code Date 6212310
23	296884		FLYWHEEL -Used After Code Date 6201310
24	61760		KEY, Flywheel -(Breaker Ignition)
37	220971		GUARD, Flywheel
56	280117		PULLEY, Rope Starter -Used After Code Date 6506301
56	294088		PULLEY, Starter -Used Before Code Date 6507011
57	294303		SPRING, Rewind Starter
58	395022		GRIP, Starter Rope -(47-1/8) If longer rope is needed, order No. 66684 or No. 66514 and cut to required length -Used After Code Date 6506301 and Before Code Date 6507011
58	66694		ROPE, Starter -(47-1/8) -Used After Code Date 6506301
59	230228		PIN, Starter Grip
60	393152		GRIP-STARTER ROPE
61	68618		BUMPER, Starter Pulley -(Used with Steel Pulley only)
66	298310		CLUTCH, Starter -(Rewind Starter) -Used After Code Date 6405220
66	298798		CLUTCH, Starter -(Rewind Starter) -Used Before Code Date 6405250
67	210400		HOUSING, Clutch -Used Before Code Date 6405250
67	212131		HOUSING, Clutch -Used After Code Date 6405220
68	63770		BALL, Clutch
70	296597		RATCHET, Clutch -Used Before Code Date 6405250
70	298436		RATCHET, Clutch -Used After Code Date 6405220
71	220575		WASHER
71	221301		WASHER -Used Before Code Date 6405250
71	221653		WASHER -Used After Code Date 6405220

Footnotes:

on cables integral with Ignition Coil
Cables used after this Serial No. are integral with the Ignition Coil
Order No. 394516 Muffler-Exhaust (Includes 270488 Gasket-Air Cleaner)
Used on engines



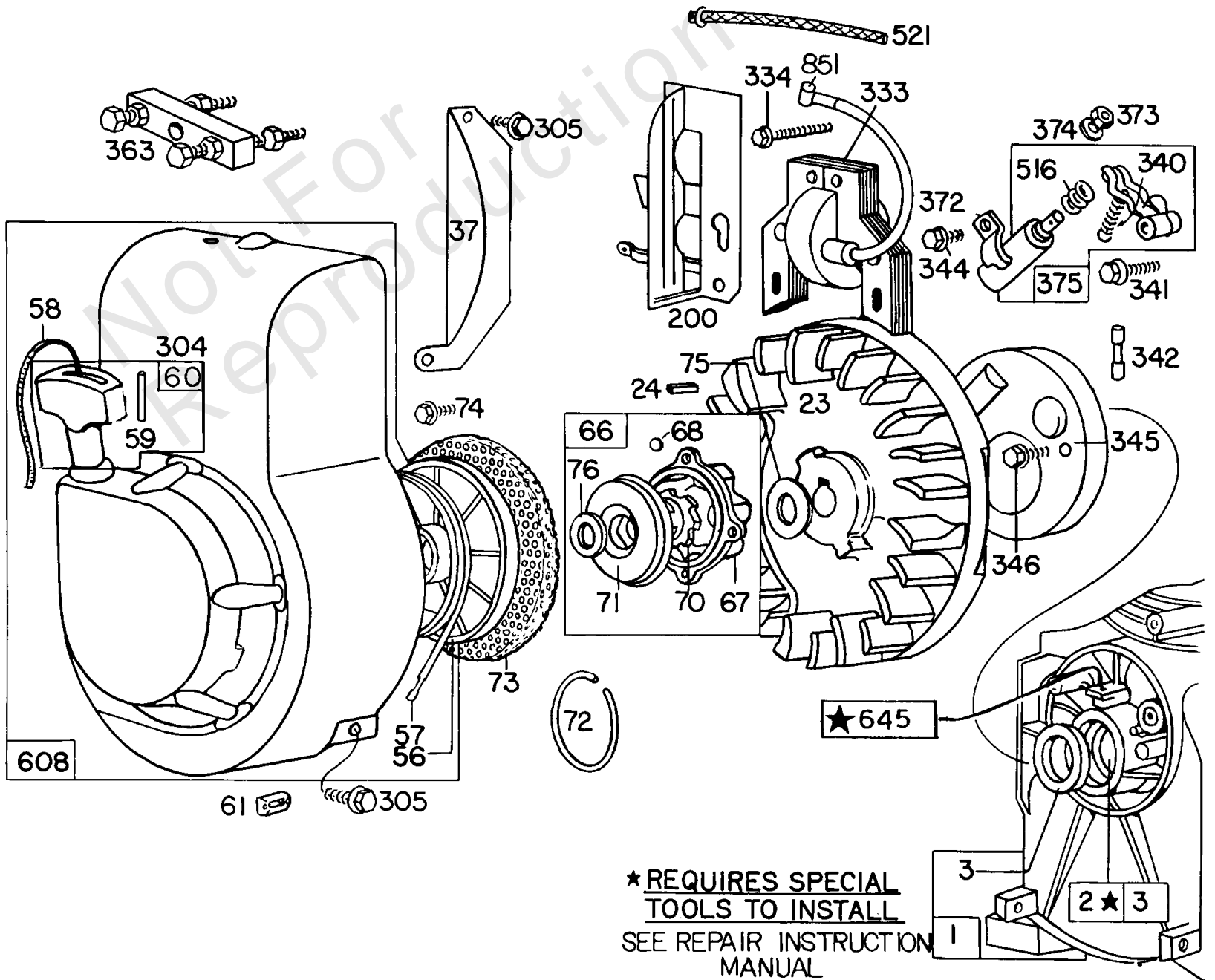
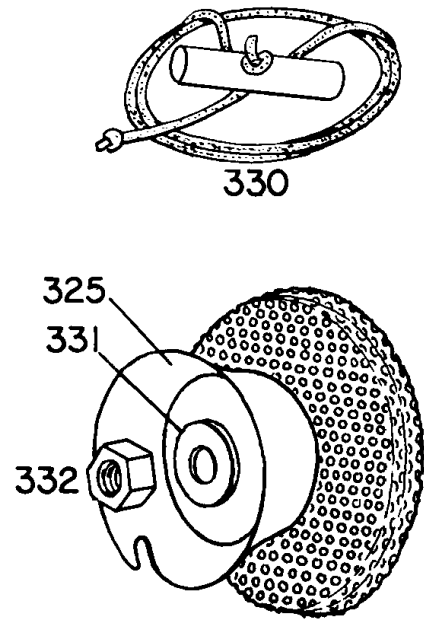
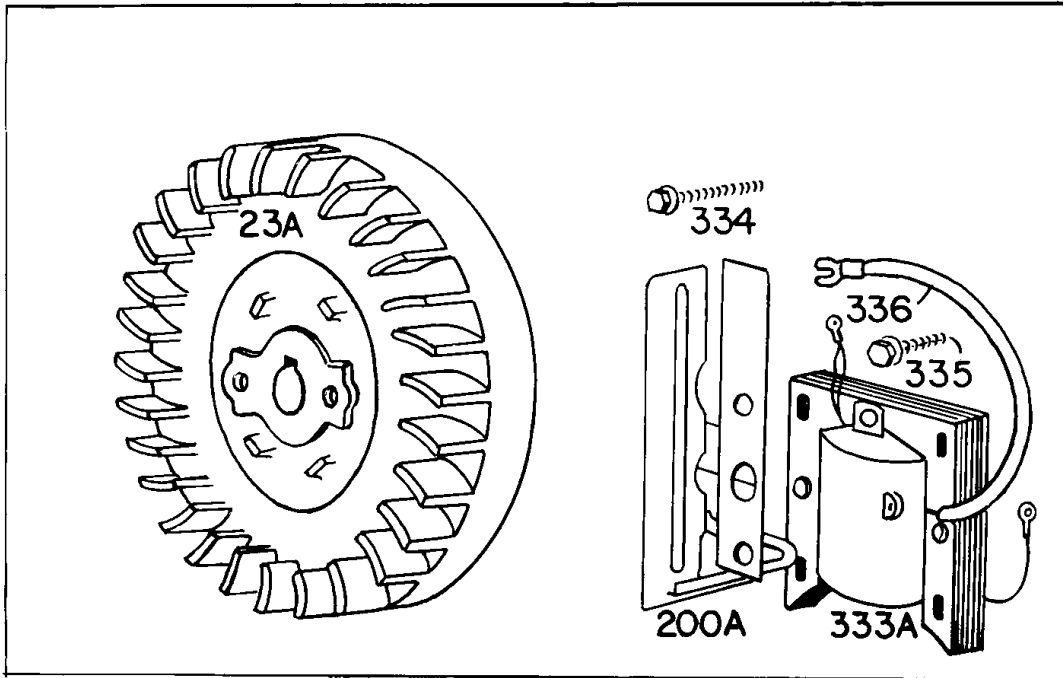
★ REQUIRES SPECIAL TOOLS TO INSTALL
SEE REPAIR INSTRUCTION MANUAL

Flywheel, Blower Hsg, Elect

REF NO	PART NO	QTY	DESCRIPTION
72	26032		RETAINER -Used Before Code Date 6405250
73	220648		SCREEN, Rotating -Used Before Code Date 6405250
73	221661		SCREEN, Rotating -(Rewind Starter) -Used After Code Date 6405220
74	93490		SCREW -(Rotating Screen)
75	220865		WASHER -(Heavy Flywheel)
76	68238		SEAL, Ratchet -Used After Code Date 6405220
200A	294298		BLADE, Governor -Used Before Code Date 6212310
200	297310		BLADE, Governor -Used After Code Date 6212310
304	-----		No Nomenclature -For type numbers not listed below, see Ref. No. 608
305	93158		SCREW -(1/4-20 X 5/8)
330	395022		GRIP, Starter Rope -(47-1/8)
331	62577		WASHER -(1/2 Hole) For Washer with 5/8 Hole-Order No. 220865
332	91708		NUT -(1/2-20 L.H. Thread) For Nut with 5/8-18 Right Hand Thread-Order No. 92284
333A	291617		ARMATURE, Magneto -Used Before Code Date 6212310
333	298502		ARMATURE, Magneto -(Points And Condenser) -Used After Code Date 6212310
334	93381		SCREW
335	93381		SCREW
336	292149		CABLE, Ignition -Used Before Code Date 6212310
340	26018		SPRING, Breaker Arm
341	93381		SCREW
342	65704		PLUNGER, Breaker
344	93042		SCREW
345	220366		COVER, Breaker
346	93705		SCREW -(8-32 X 3/8)
363	19069		PULLER, Flywheel
373	220477		CLAMP
373	92987		STARTER, Rewind
374	92813		WASHER
375	294628		BREAKER, Ignition

Footnotes:

on cables integral with Ignition Coil
Cables used after this Serial No. are integral with the Ignition Coil
Order No. 394516 Muffler-Exhaust (Includes 270488 Gasket-Air Cleaner)
Used on engines



★ REQUIRES SPECIAL TOOLS TO INSTALL
SEE REPAIR INSTRUCTION MANUAL

Flywheel, Blower Hsg, Elect

REF NO	PART NO	QTY	DESCRIPTION
375	299061		BREAKER, Ignition -Includes: 294628 Point Set 65704 Plunger 61760 Key-Flywheel
516	260374		SPRING, Condensor
608	294259		HOUSING, Blower -(10 O'clock)
645	23513		BUSHING, Plunger -(Used only with Breaker Point Ignition)
851	221798		TERMINAL, Spark Plug

Not For
Reproduction

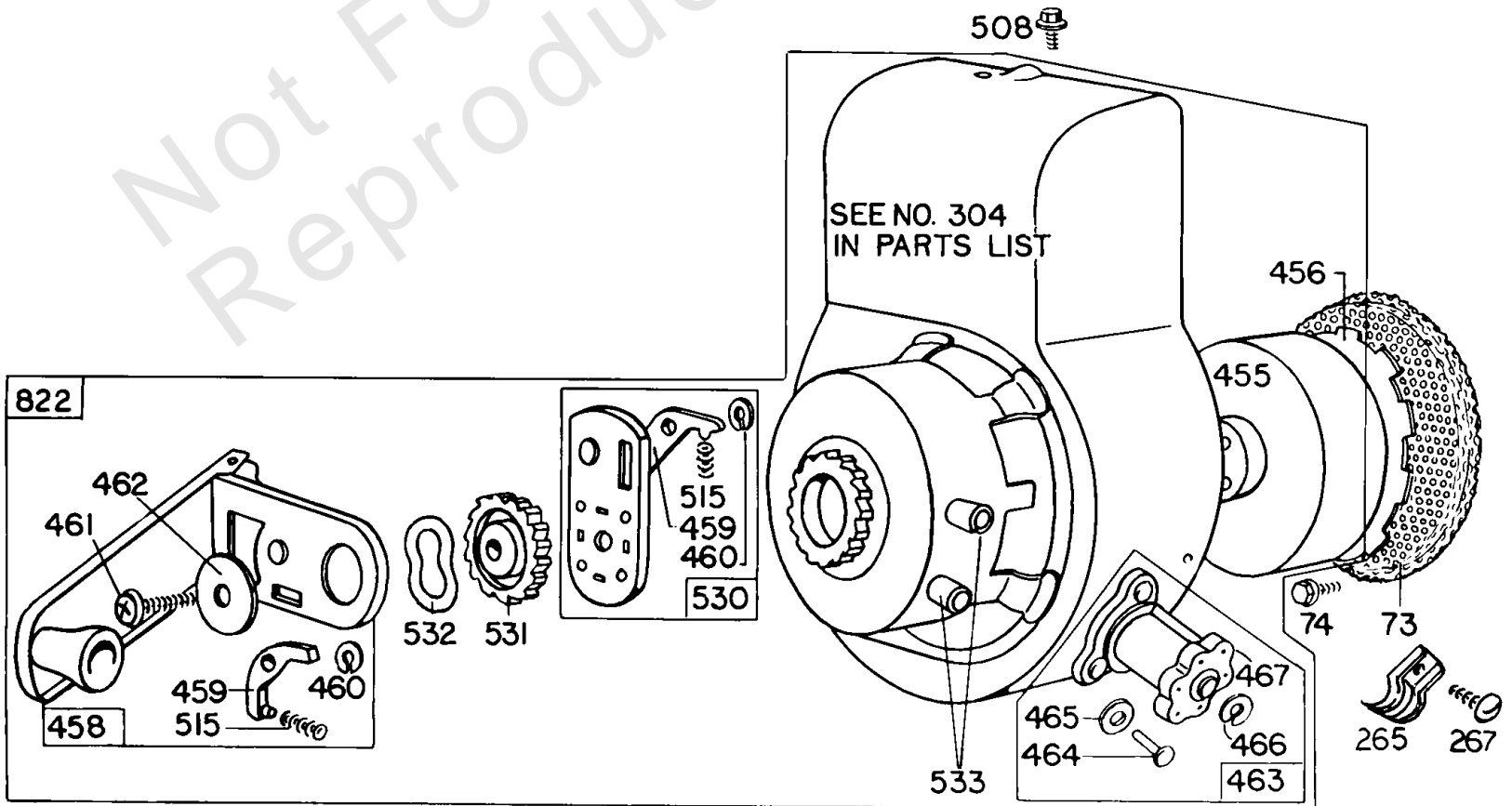
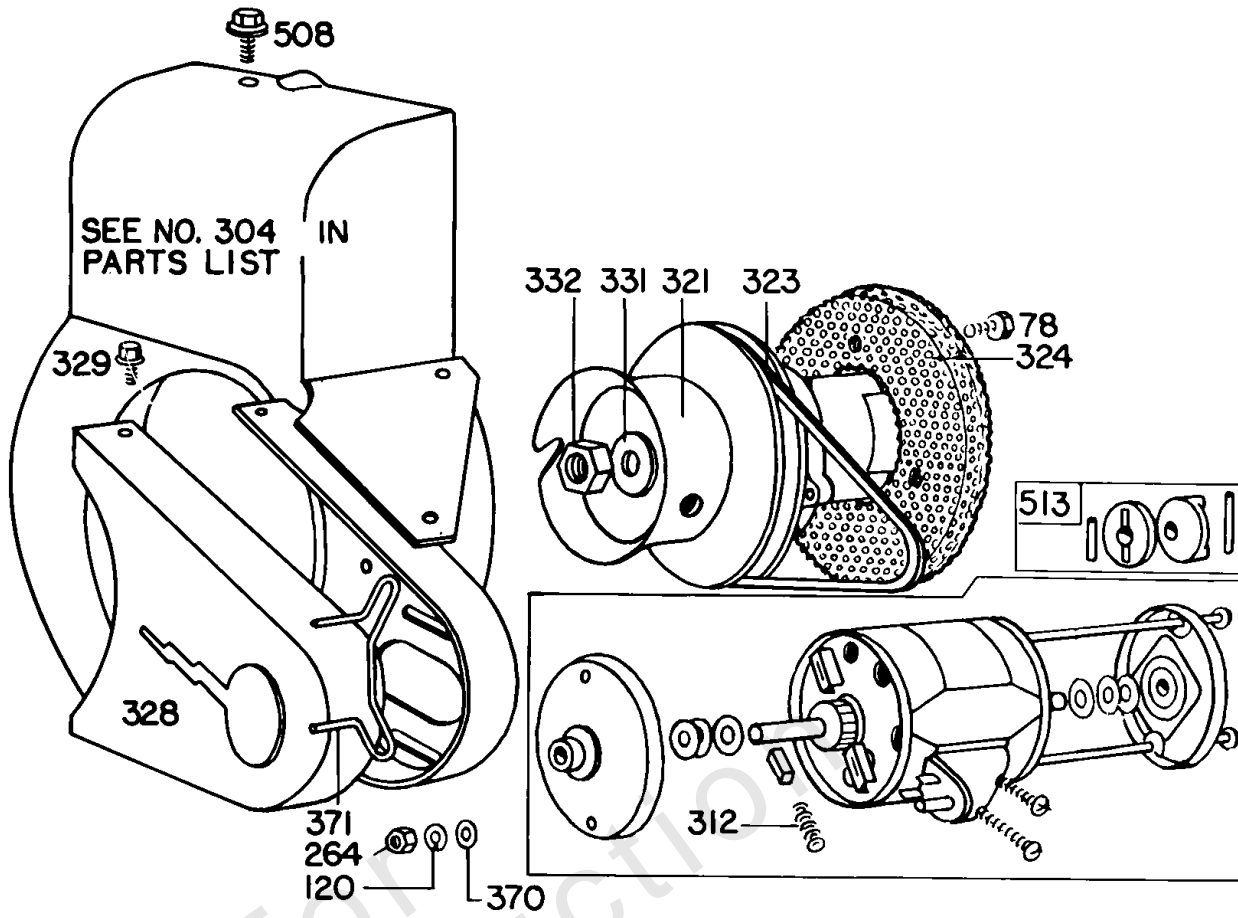
Footnotes:

on cables integral with Ignition Coil
Cables used after this Serial No. are integral with the Ignition Coil
Order No. 394516 Muffler-Exhaust (Includes 270488 Gasket-Air Cleaner)
Used on engines

Replacement Engine - US & Canada

REF NO	PART NO	QTY	DESCRIPTION
	831320040	1	Replacement Engine
	-----		Top No-Load Speed: 3650 -Trim: ALL
	-----		Service Note: If the replacement engine supersedes to or is a Model 83100 series engine, refer to the illustrations located after the conversion data for this model series. The overall dimensions which differ, are shown in the illustrations.
	-----		Service Note: If after making a visual inspection and it is determined that the Model 83100 series engine cannot be used because of equipment interference, the engine should be repaired with a short block and/or individual parts.
	-----		Service Note: Replacement engine listed is not available in the State of California. Repair with individual parts.
	-----		Service Note: For all Go-Karts use only a Model 136200 series engine as a replacement, regardless of the original Model.

Not For Reproduction

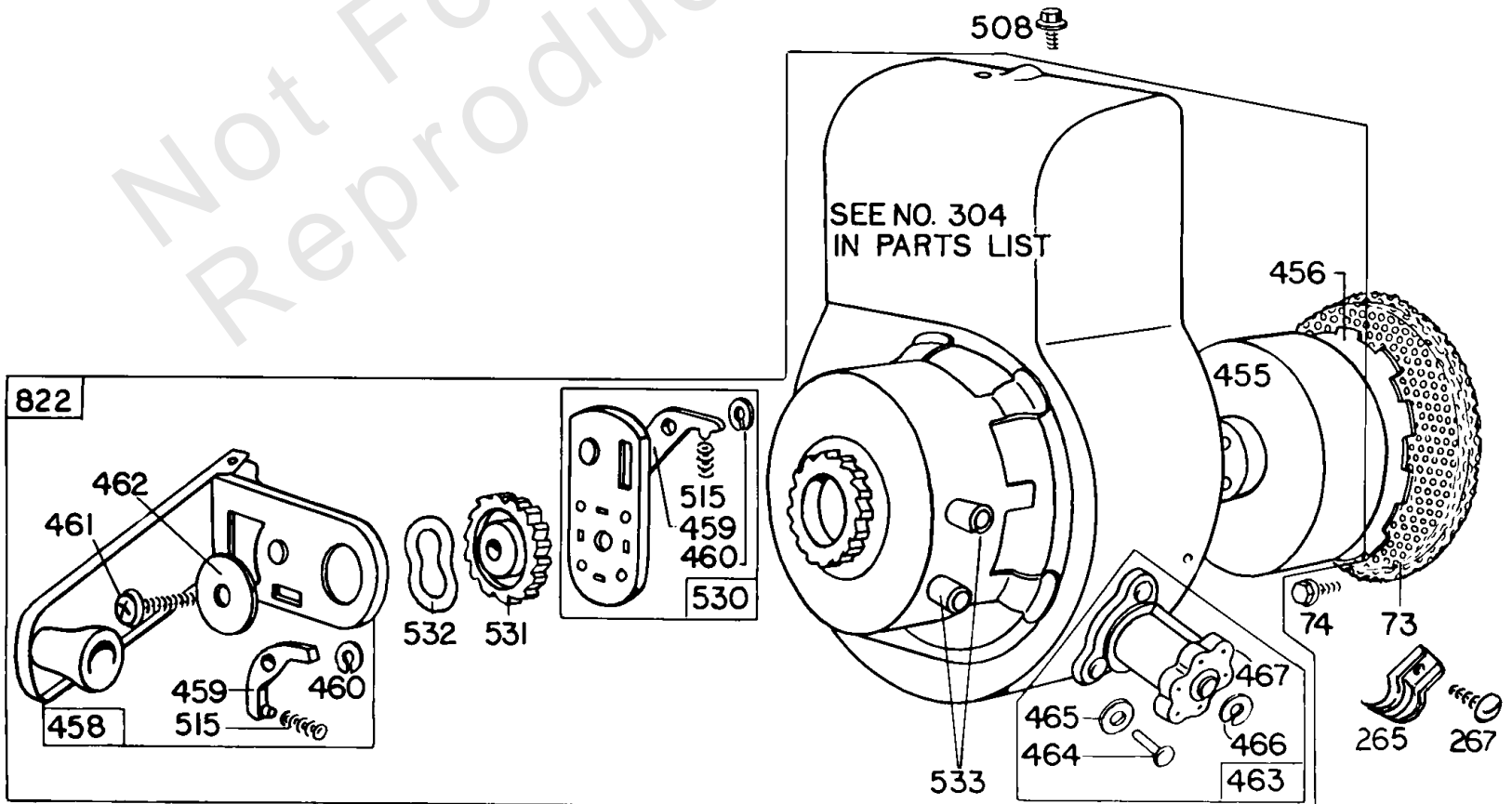
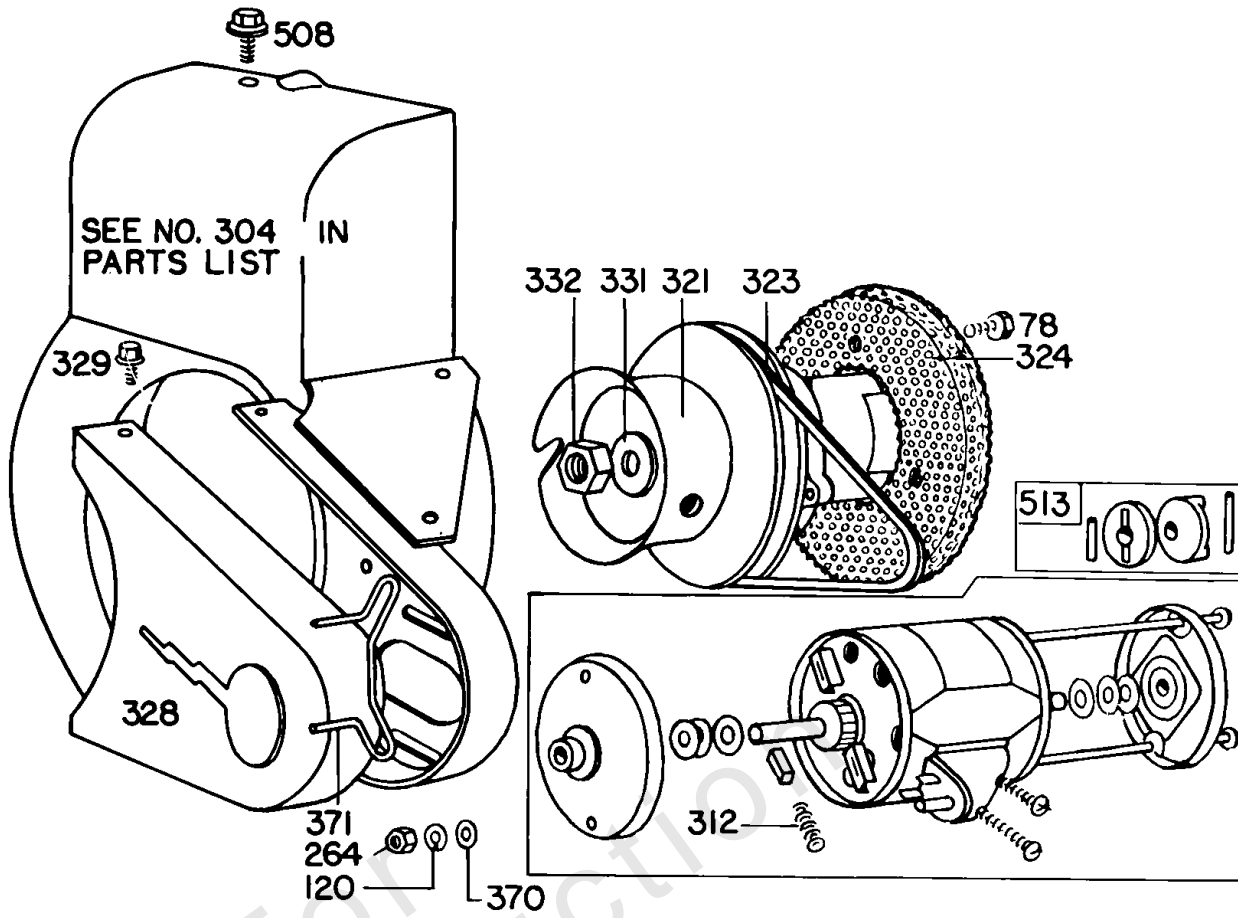


Starters

REF NO	PART NO	QTY	DESCRIPTION
73	220648		SCREEN, Rotating -Used Before Code Date 6405250
73	221661		SCREEN, Rotating -(Rewind Starter) -Used After Code Date 6405220
74	93490		SCREW -(Rotating Screen)
78	93705		SCREW -(8-32 X 3/8)
120	92290		WASHER
264	90355		NUT, Hex
265	221407		CLAMP, Casing
267	93067		SCREW -(3/8)
304	-----		No Nomenclature -For type numbers not listed below, see Ref. No. 608
312	260404		SPRING, Brush
321	210711		PULLEY, Starter -(Fits Crankshafts With 1/2-20 Thread) When order this Pulley, order Vee-Belt part No. 67228 also.
323	67038		BELT, Vee -Used Before Code Date 5905040
323	67228		BELT, Vee
324	220648		SCREEN, Rotating
324	29395		PULLEY, Rope Starter
328	221038		GUARD, Belt
329	93705		SCREW -(8-32 X 3/8)
331	62577		WASHER -(1/2 Hole) For Washer with 5/8 Hole-Order No. 220865
332	91708		NUT -(1/2-20 L.H. Thread) For Nut with 5/8-18 Right Hand Thread-Order No. 92284
370	66432		WASHER
371	260275		GUARD, Belt
455	296455		CUP, Flywheel -(With Pinned Spring)
456	221222		PLATE, Retainer
458	296305		HANDLE, Cranking
459	221332		PAWL, Ratchet
460	93272		RETAINER, E Ring
461	93231		SCREW
462	221237		WASHER
463	296445		HOUSING, Flywheel
464	93291		RIVET -(2)
465	221226		WASHER
466	93272		RETAINER, E Ring
467	211017		KNOB, Air Cleaner Cover
508	93294		SCREW -(5/8)
513	296567		CLUTCH, Starter

Footnotes:

on cables integral with Ignition Coil
Cables used after this Serial No. are integral with the Ignition Coil
Order No. 394516 Muffler-Exhaust (Includes 270488 Gasket-Air Cleaner)
Used on engines



Starters

REF NO	PART NO	QTY	DESCRIPTION
515	260537		SPRING, Ratchet
530	296304		PLATE, Pawl Friction
531	230615		PAWL, Ratchet
532	260500		WASHER -(Spring)
533	67478		SWITCH, Stop
822	296732		STARTER SUB ASSEMBLY

Not For
Reproduction

Footnotes:

on cables integral with Ignition Coil
Cables used after this Serial No. are integral with the Ignition Coil
Order No. 394516 Muffler-Exhaust (Includes 270488 Gasket-Air Cleaner)
Used on engines

