

Parts Manual

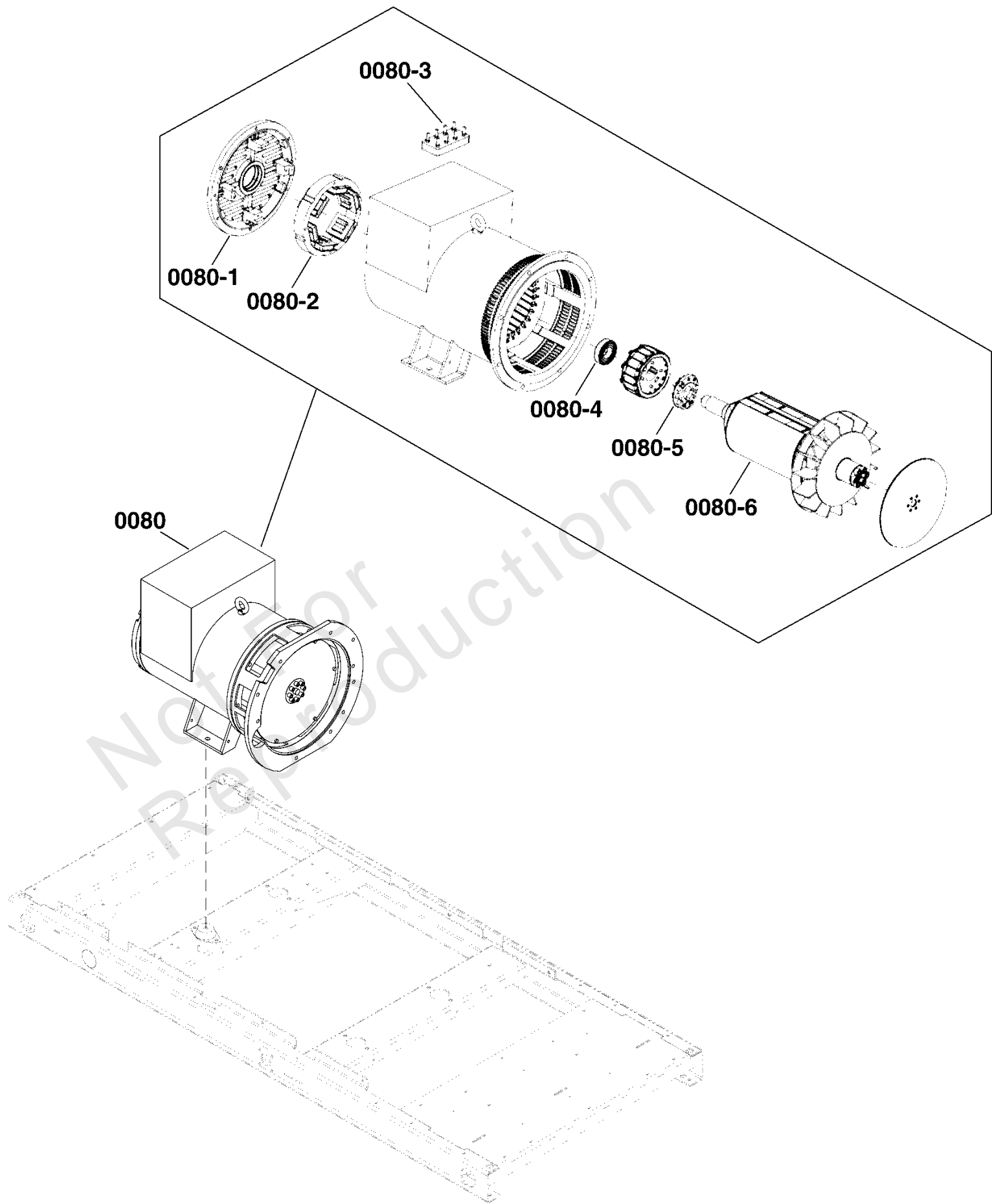
Mfg. No: 076331-02
35,000 Watt LC Standby Generator
(Briggs & Stratton)

Model Components	Page
Alternator Group.....	4
Circuit Breaker and Accessories Group.....	6
Control Box Group.....	10
Control Panel Group.....	12
Decals Group - Circuit Protection.....	14
Enclosure Group.....	16
Engine Group.....	18
Engine Group - Alternator.....	20
Engine Group - Balancer Shaft.....	22
Engine Group - Camshaft.....	24
Engine Group - Coolant Fittings.....	26
Engine Group - Crankshaft.....	28
Engine Group - Crankshaft Balancer.....	30
Engine Group - Cylinder Block.....	32
Engine Group - Cylinder Gasket & Hardware.....	34
Engine Group - Cylinder Head.....	36
Engine Group - Dipstick & Tube.....	38
Engine Group - Distributor Parts.....	40
Engine Group - Electrical.....	42
Engine Group - EPR & Mixer.....	44
Engine Group - Exhaust Manifold.....	46
Engine Group - Flywheel.....	48
Engine Group - Front Cover.....	50
Engine Group - Front Pedestal Mount.....	52
Engine Group - Fuel.....	54
Engine Group - Ignition Coil.....	56
Engine Group - Ignition Wires.....	58
Engine Group - Intake Manifold & Distributor.....	60
Engine Group - Lift Eye & Belt.....	62
Engine Group - Oil Drain.....	64
Engine Group - Oil Pan.....	66
Engine Group - Oil Pump.....	68
Engine Group - Piston & Connecting Rod.....	70
Engine Group - Pulleys.....	72
Engine Group - Starter.....	74
Engine Group - Thermostat.....	76
Engine Group - Throttle Body.....	78
Engine Group - Timing Chain.....	80
Engine Group - Valve Actuation.....	82
Engine Group - Valve Cover.....	84
Engine Group - Water Pump.....	86
Heater Group.....	88
Torque Specification Chart.....	90

Alternator Group

Note: Unless noted otherwise, use the standard torque specifications

Mfg. No: 076331-02



Alternator Group

REF NO	PART NO	QTY	DESCRIPTION
0080	317980GS		ALTERNATOR -(Reference model list on page to verify parts list applies to your model.)
0080-1	706011		COVER
0080-2	706006		EXCITER-STATOR
0080-3	706022		TERMINAL BLOCK
0080-4	313281GS		BEARING
0080-5	706004		RECTIFIER ASSEMBLY
0080-6	706017		ROTOR

Not For Reproduction

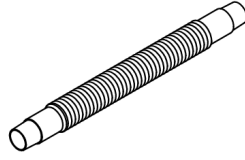
Circuit Breaker and Accessories Group

Note: Unless noted otherwise, use the standard torque specifications

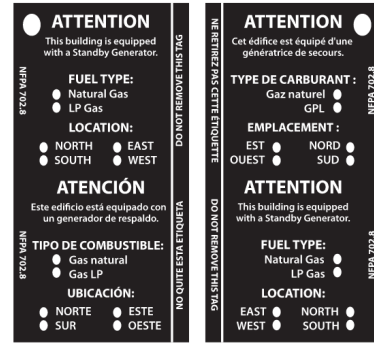
Mfg. No: 076331-02



0020



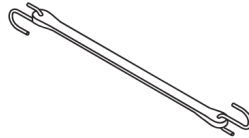
0030



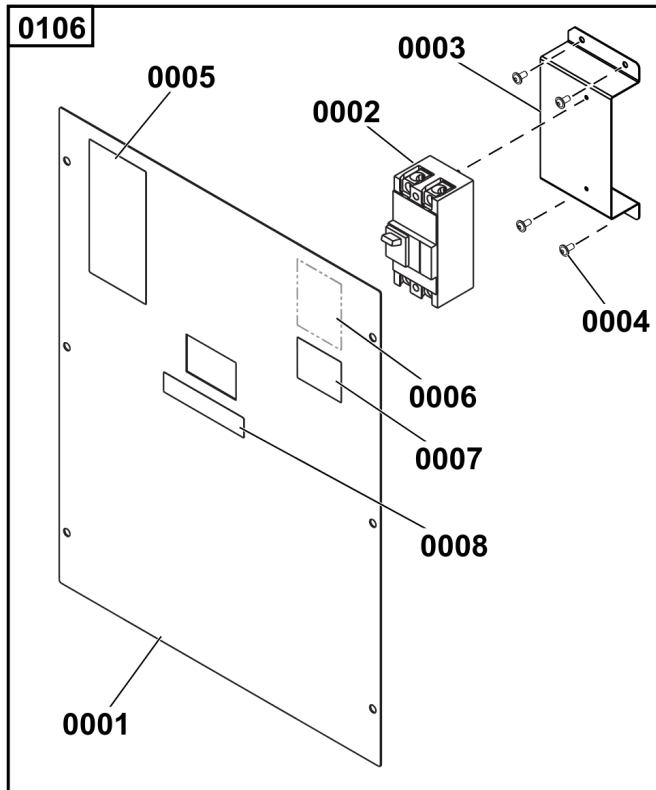
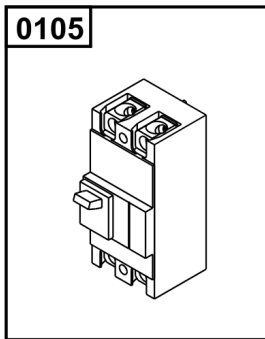
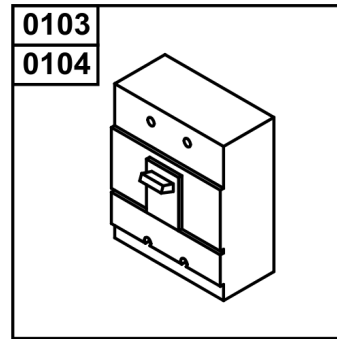
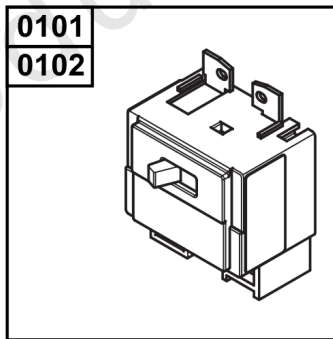
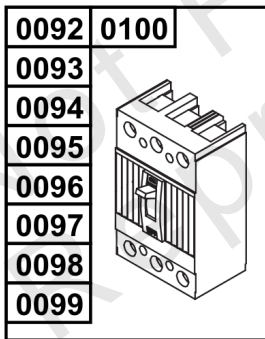
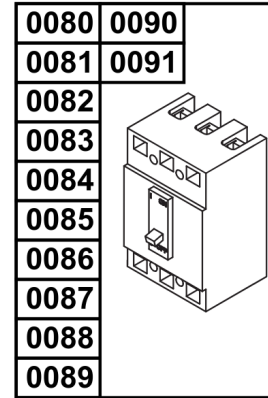
0040



0050



0060



Circuit Breaker and Accessories Group

REF NO	PART NO	QTY	DESCRIPTION
0020	207652GS	1	SET, Latch Key, Plain
0030	205206GS	1	FUEL HOSE, Flexible
0040	195200GS	1	HANG TAG, Attn Standby Equipment
0050	319693GS	1	PAINT, Touch Up, Cont. Charcoal, Texture
0060	316869GS	1	STRAP-BATTERY TIEDOWN
0080	314842GS	1	BREAKER-CIRCUIT, 125A, 3 Pole -(Use on 076131-03, 076133-00, 076133-02, 076141-04, 076141-05, 076141-06, 076167-00, 076331-03, 076333-00, 076333-02, 076341-02)
0081	318132GS	1	BREAKER-CIRCUIT, 60A, 3 Pole -(Use on 076135-00, 076135-02, 076137-00, 076137-02, 076137-03, 076145-02, 076147-00, 076147-01, 076335-00, 076335-02, 076335-03, 076345-02, 076356-03, 076356-04)
0082	84007422	1	CIRCUIT BREAKER, 125A, 3 Pole -(Use on 076131-04, 076133-03, 076331-04, 076331-05, 076333-03, 076333-04)
0083	318135GS	1	BREAKER-CIRCUIT, 90A, 3 Pole -(Use on 076155-02, 076355-02, 076366-01)
0084	318134GS	1	BREAKER-CIRCUIT, 80A, 3 Pole -(Use on 076155-03, 076157-01, 076157-02, 076355-03, 076355-04, 073366-02)
0085	318136GS	1	BREAKER-CIRCUIT, 100A, 3 Pole -(Use on 076154-02, 076157-00, 075165-01, 076354-02)
0086	314843GS	1	CIRCUIT BREAKER, 100A, 3 Pole -(Use on 076167-01, 076167-02)
0087	318131GS	1	BREAKER-CIRCUIT, 50A, 3 Pole -(Use on 076197-00, 076336-00, 076336-01)
0088	318256GS	1	CIRCUIT BREAKER, 110A, 3 Pole -(Use on 076143-02, 076343-02)
0089	772327	1	BREAKER-CIRCUIT, 40A, 3 Pole -(Use on 076177-00)
0090	318130GS	1	BREAKER-CIRCUIT, 45A, 3 Pole -(Use on 076346-02)
0091	318133GS	1	BREAKER-CIRCUIT, 70A, 3 Pole -(Use on 076134-00, 076134-02, 076334-00, 076334-02, 076356-02)
0092	314746GS	1	CIRCUIT BREAKER, 225A, 3 Pole -(Use on 076161-03, 076361-01)
0093	314841GS	1	BREAKER-CIRCUIT, 150A, 3 Pole -(Use on 076131-00, 076131-02, 076141-03, 076153-03, 076331-00, 076331-02, 076353-03)
0094	314458GS	1	CIRCUIT BREAKER, 200A, 3 Pole -(Use on 076151-05, 076151-06, 076163-01, 076163-02, 076351-02, 076363-01)
0095	314840GS	1	BREAKER-CIRCUIT, 175A, 3 Pole -(Use on 076152-05, 076153-02, 076351-03, 076352-02, 076353-02)
0096	319607GS	1	BREAKER-CIRCUIT, 175A, 2 Pole -(Use on 076330-00, 076330-02, 076340-00, 076340-01, 076340-02)
0097	84007585	1	CIRCUIT BREAKER, 150A, 3 Pole -(Use on 076153-04, 076353-04, 076353-05)
0098	84007587	1	CIRCUIT BREAKER, 175A, 3 Pole -(Use on 076151-07, 076351-04, 076351-05)
0099	84007591	1	CIRCUIT BREAKER, 225A, 3 Pole -(Use on 076161-04, 076361-02)
0100	84007589	1	CIRCUIT BREAKER, 200A, 3 Pole -(Use on 076363-02)
0101	204144GS	1	BREAKER, Circuit, 150A -(Use on 076330-03, 076330-04)
0102	209069GS	1	BREAKER-CIRCUIT, 200A, 2 Pole -(Use on 076350-02, 076350-03)
0103	315550GS	1	BREAKER-CIRCUIT, 300A, 2 Pole -(Use on 076360-01)

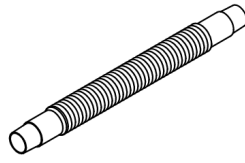
Circuit Breaker and Accessories Group

Note: Unless noted otherwise, use the standard torque specifications

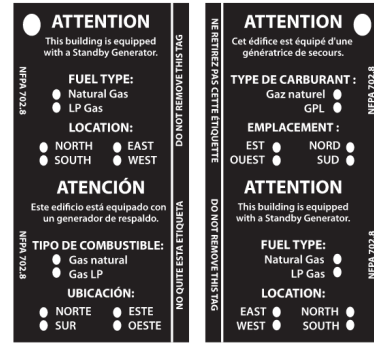
Mfg. No: 076331-02



0020



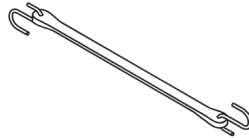
0030



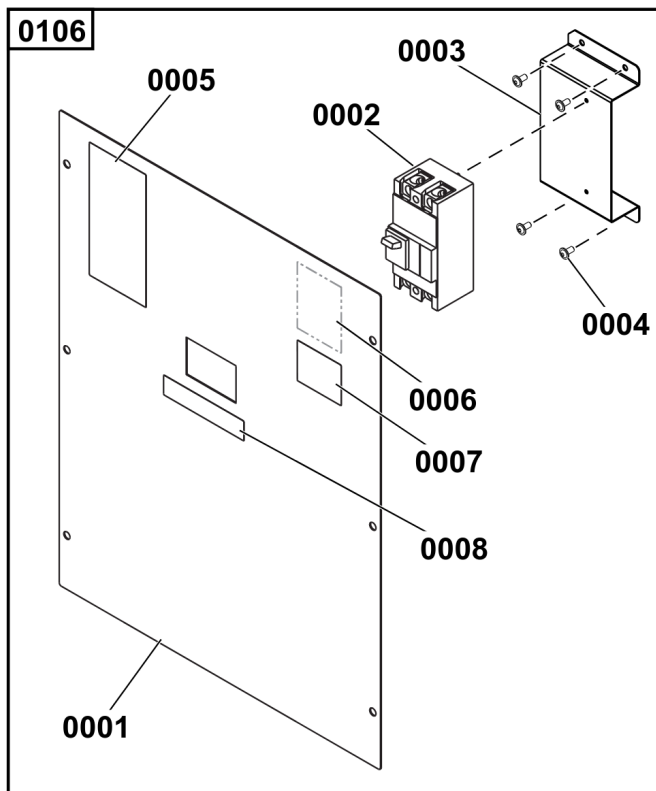
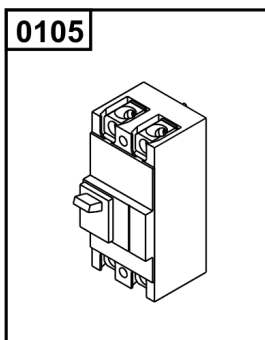
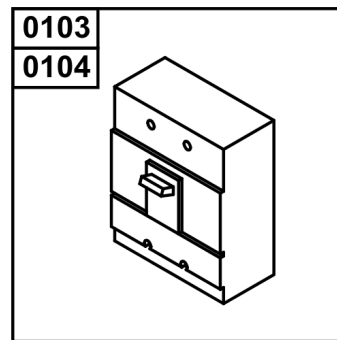
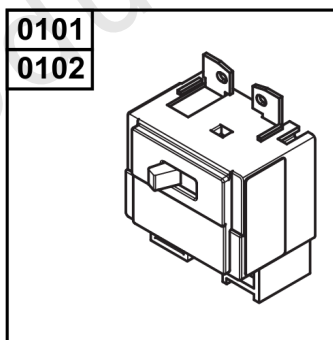
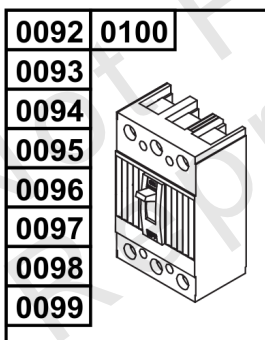
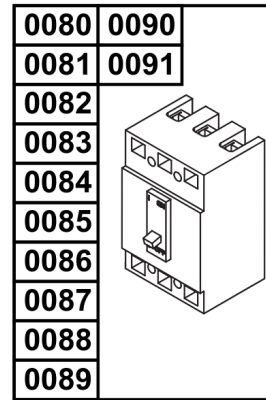
0040



0050



0060



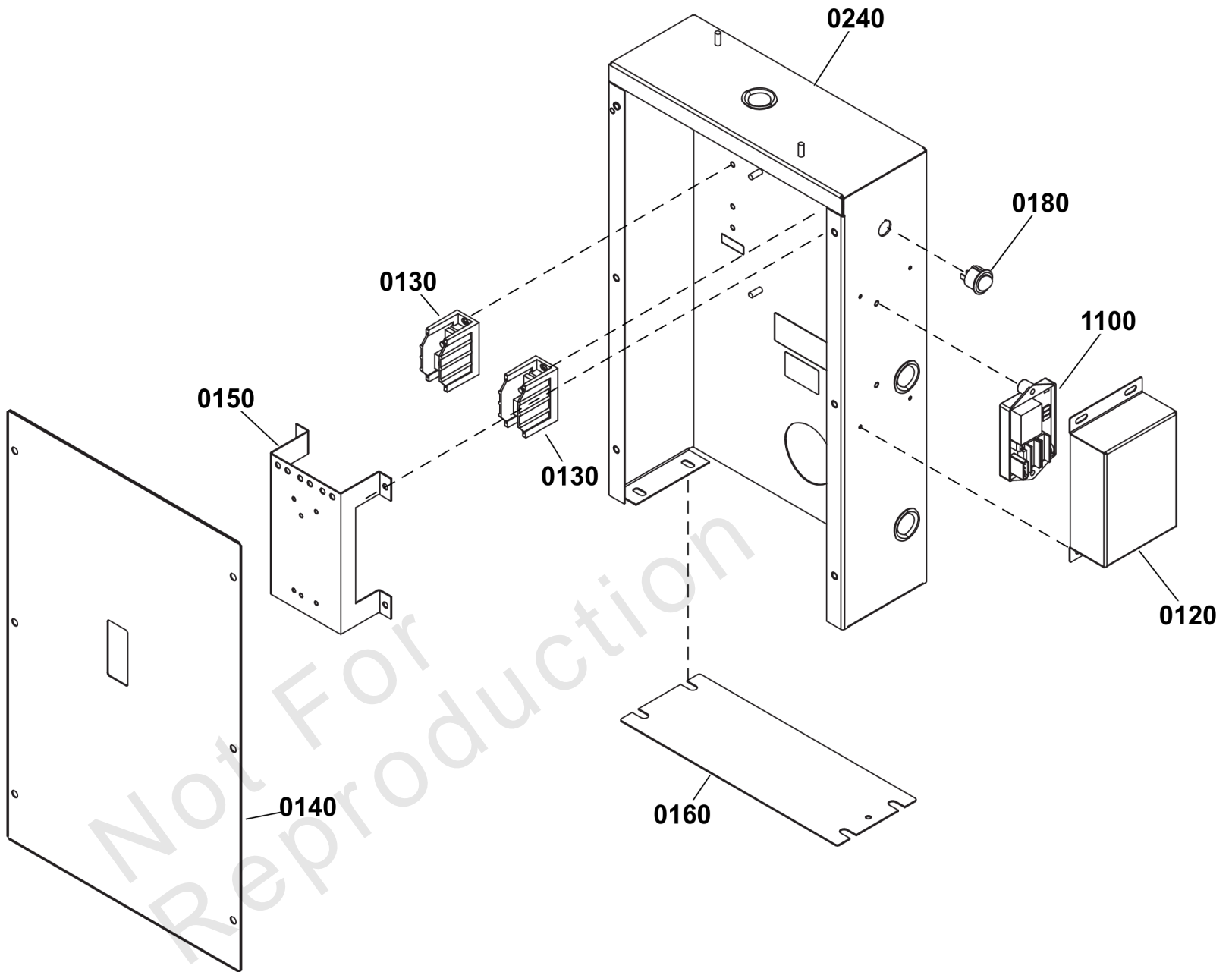
Circuit Breaker and Accessories Group

REF NO	PART NO	QTY	DESCRIPTION
0104	772305	1	BREAKER, Circuit, 250A, 2 Pole -(Use on 076360-02)
0105	84011526	1	BREAKER, Circuit, 250A, 2 Pole -(Use on 076360-02)
0106	84011532	1	KIT, Circuit Breaker -(Order when Ref. # 0104 is NLA) (Includes Ref. Nos. 0001, 0002, 0003, 0004, 0005, 0006, 0007, 0008)
0001	-----	1	COVER
0002	84011526	1	BREAKER, Circuit, 250A, 2 Pole
0003	-----	1	BRACKET
0004	5025299X4SM	4	SCREW, ALLEN HEAD 1/4-20 X .500 ZINC PHOS
0005	-----	1	DECAL-WARNING, OPERATOR MANUAL
0006	-----	1	DECAL-WARNING, FUSE
0007	-----	1	DECAL, Warning
0008	-----	1	DECAL-DISCONNECT
--	319677GS		PAINT, Spray, Cont. Charcoal, Texture -(Optional Accessory - Not Included)
--	6428		KIT, Communication Cable -(Optional Accessory - Not Included)
--	6429		KIT-COMMUNICATION CABLE -(Optional Accessory - Not Included)
--	6514		KIT, Maintenance -(Optional Accessory - Not Included)

Control Box Group

Note: Unless noted otherwise, use the standard torque specifications

Mfg. No: 076331-02



Control Box Group

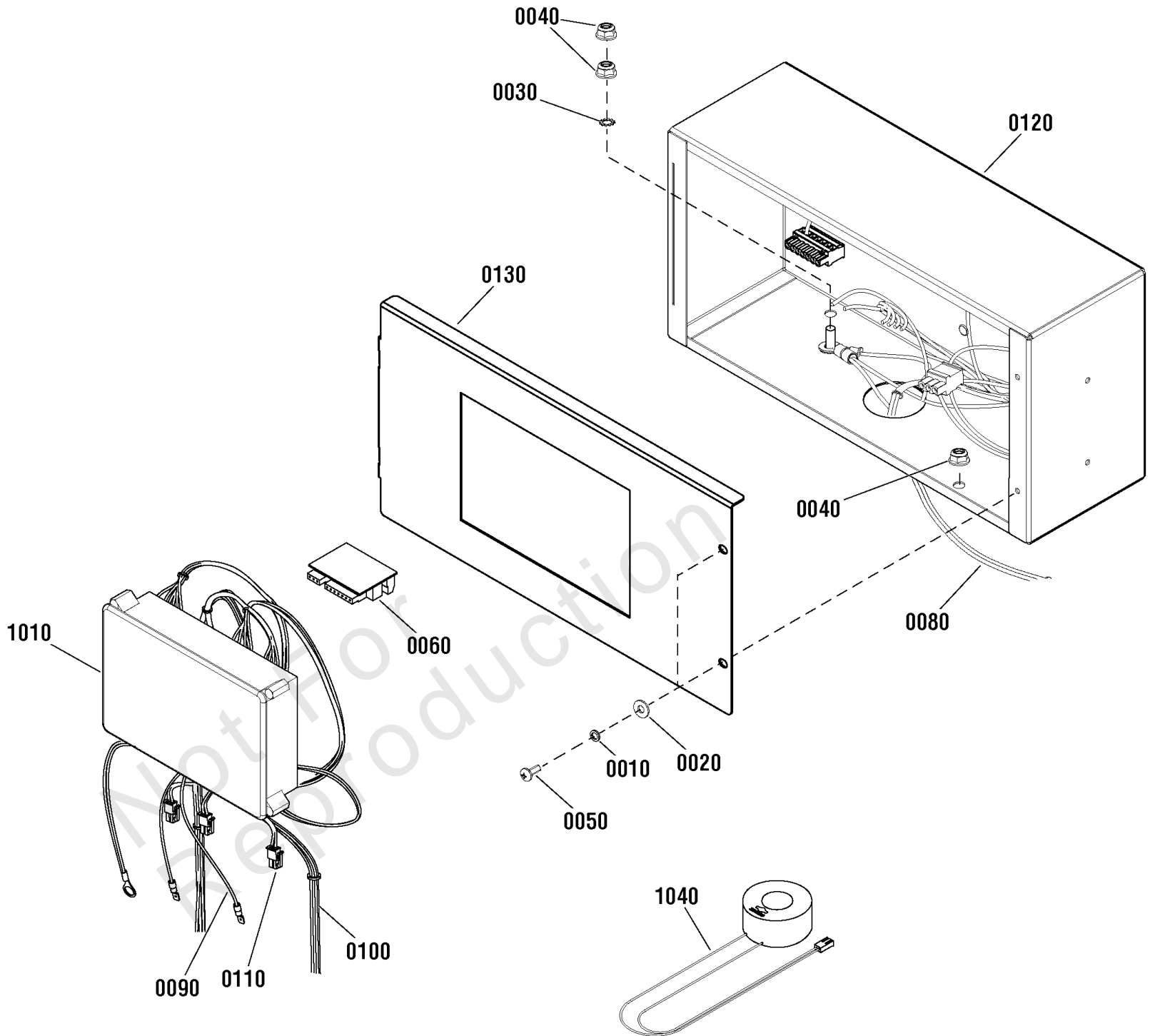
REF NO	PART NO	QTY	DESCRIPTION
0120	BA209747GS		COVER
0130	312612GS		TERMINAL -(3/8"-16 x 1" stud)
0140	BA314457GS		COVER
0150	BA314460GS		BRACKET
0160	BA314461GS		COVER
0180	315551GS		SWITCH, Rocker
0240	708791		BOX-CONTROL PANEL
1100	209856GS		REGULATOR, Voltage
--	770128		CONNECTOR-AVR -(Not Illustrated)

Not For Reproduction

Control Panel Group

Note: Unless noted otherwise, use the standard torque specifications

Mfg. No: 076331-02

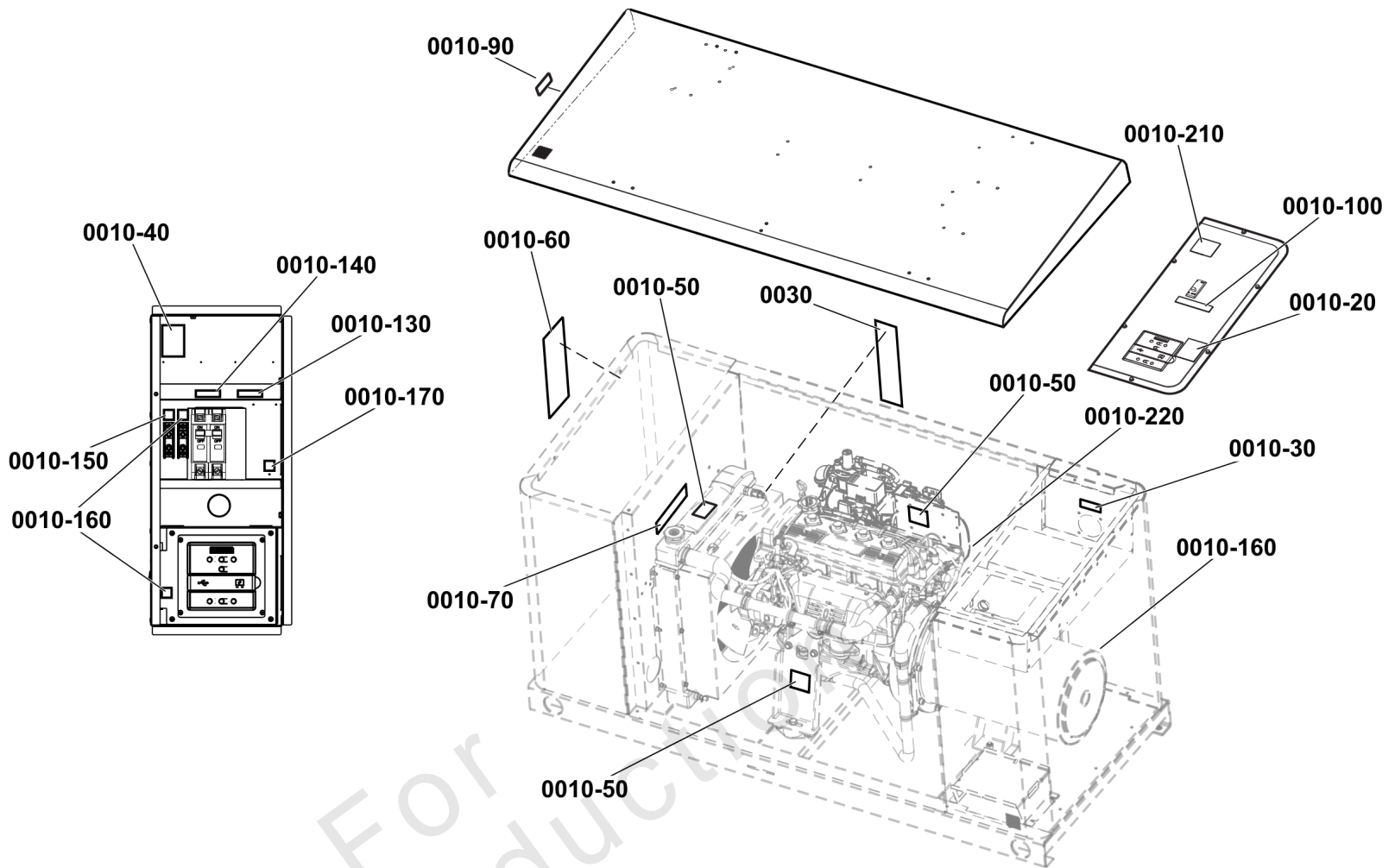


Control Panel Group

REF NO	PART NO	QTY	DESCRIPTION
0010	-----		* WASHER, Split Lock #10 -(*See footnote)
0020	-----		* WASHER, Flat, #10 - M5 -(*See footnote)
0030	-----		* WASHER, Shakeproof, M6-1/4 -(*See footnote)
0040	-----		* NUT, Flange, Nylock, 1/4-20 -(*See footnote)
0050	-----		* SCREW, Trilobular, #10-32 x 3/4 -(*See footnote)
0060	708781		CIRCUIT BOARD
0080	708790		HARNESS-WIRE
0090	708787		HARNESS-WIRE
0100	708784		HARNESS-WIRE
0110	708785		HARNESS-WIRE
0120	770303		BOX-CONTROL
0130	770306		COVER-CONTROL BOX -(Intelilite Controller)
1010	317970GS		CONTROL PANEL
1040	708786		CURRENT TRANSFORMER, 200/240V -(300A)
1040	708788		CURRENT TRANSFORMER, 416/480/600V -(100A)

Footnotes:

* Items without part numbers are common fasteners. Purchase locally.



NOTICE AVIS AVISO

FUEL REQUIREMENTS
Estimated generator fuel supply requirements for both natural gas and LP vapor:

Model	Natural Gas		LP Vapor	
	BTU/H	m ³ /h	BTU/H	m ³ /h
35kW	344,452	9.8	399,116	4.5
48kW	470,963	13.3	505,670	5.7
60kW	681,500	19.3	800,300	9.1

Fuel inlet pressure requirements at full load are:
Inches of WC mm of WC
7-11 178-279

Model	Natural Gas		LP Vapor	
	BTU/H	m ³ /h	BTU/H	m ³ /h
25kW	368,100	10.42	387,000	4.38
30kW	414,500	11.74	436,800	4.95

Fuel inlet pressure requirements at full load are:
Inches of WC mm of WC
5-11 127-279

EXIGENCES EN MATIERE DE CARBURANT
Approximativement approximatif en carburant pour le gaz naturel et le propane gazeux:

Modèle	Gaz naturel		Propane gazeux	
	BTU/H	m ³ /h	BTU/H	m ³ /h
35kW	344,452	9.8	399,116	4.5
48kW	470,963	13.3	505,670	5.7
60kW	681,500	19.3	800,300	9.1

Les exigences de pression d'admission du carburant à plein rendement sont:
Pouces CE mm de CE
7-11 178-279

Modèle	Gaz naturel		Propane gazeux	
	BTU/H	m ³ /h	BTU/H	m ³ /h
25kW	368,100	10.42	387,000	4.38
30kW	414,500	11.74	436,800	4.95

Les exigences de pression d'admission du carburant à plein rendement sont:
Pouces CE mm de CE
5-11 127-279

REQUERIMIENTOS DE COMBUSTIBLE
Requerimientos estimados de combustible para el generador para gas natural y gas LP:

Modelo	Gas Natural		Gas LP	
	BTU/H	m ³ /h	BTU/H	m ³ /h
35kW	344,452	9.8	399,116	4.5
48kW	470,963	13.3	505,670	5.7
60kW	681,500	19.3	800,300	9.1

Los requerimientos de presión de entrada de combustible a carga completa son de:
pulgadas de columna de agua mm de columna de agua
7-11 178-279

Modelo	Gas Natural		Gas LP	
	BTU/H	m ³ /h	BTU/H	m ³ /h
25kW	368,100	10.42	387,000	4.38
30kW	414,500	11.74	436,800	4.95

Los requerimientos de presión de entrada de combustible a carga completa son de:
pulgadas de columna de agua mm de columna de agua
5-11 127-279

0010

WARNING AVERTISSEMENT ADVERTENCIA

To reduce the risk of fire, replace only with same type and rating of fuse.

2.5AMP TYPE AGC

Pour réduire le risque d'incendie, remplacez avec un fusible de même type et classification.

2.5 A TYPE AGC

Para reducir el riesgo de incendio, reemplaza solamente con un fusible del mismo tipo y capacidad.

2.5 AMP TIPO AGC

NOTICE AVIS AVISO

ALL TERMINAL AND BUS LUGS ARE SUITABLE FOR COPPER WIRE 60/75°C RATING

TOUTES LES BORNES ET COSSES DE COLLECTEURS CONVIENTENT AUX FILS DE CUIVRE DE CALIBRE 60/75°C

TODOS LOS CONECTORES DE TERMINAL Y DE BUS SON APROPIADOS PARA CABLE DE COBRE CON CAPACIDAD DE 60/75°C

0010-40

WARNING AVERTISSEMENT ADVERTENCIA

Engine exhaust contains carbon monoxide, a poisonous gas that could kill you in minutes. You cannot smell it or see it. Install outdoors only. Install carbon monoxide alarms in home.

Hot surface could result in serious injury. Do not touch.

Engine exhaust could ignite combustibles resulting in death or serious injury. Exhaust side of weatherproof enclosure shall have 5 ft. (1.5m) min clearance from any structures, shrubs, trees or any vegetation.

This equipment may create sparks that could start fires around dry vegetation. A spark arrester may be required. Contact local fire agencies for regulations relating to fire prevention requirements.

L'échappement du moteur contient du monoxyde de carbone, un gaz toxique pouvant tuer en quelques minutes. Vous ne pouvez ni le sentir ni le voir. Installez à l'extérieur seulement. Installez les alarmes de monoxyde de carbone dans la maison. La surface chaude pourrait entraîner des blessures graves. Ne touchez pas.

L'échappement du moteur peut enflammer les combustibles, ce qui peut provoquer des blessures graves, voire la mort. La sortie pour l'échappement de l'enceinte à l'épreuve des intempéries doit avoir un dégagement d'au moins 1,5 m (5 pi) de toutes structures, buissons, arbres ou autres végétaux. Cet équipement peut produire des étincelles pouvant déclencher des incendies autour de la végétation sèche. Un pare-étincelles pourrait être nécessaire. Contactez les responsables locaux des incendies pour connaître les exigences réglementaires liées à la prévention des incendies.

Los gases de escape del motor contienen monóxido de carbono, un gas venenoso que podría matarlo en minutos. No puede verlo ni olerlo. Instále solamente en exteriores. Instale alarmas de monóxido de carbono en el hogar. La superficie caliente podría causar lesiones serias. No tocar.

Los gases de escape del motor podrían incendiar materiales combustibles, lo que podría causar la muerte o lesiones serias. El lado de escape del gabinete impermeable debe tener un espacio libre de 5 pies (1.5 m) de distancia desde cualquier estructura, arbusto, árbol o cualquier vegetación. Este equipo puede causar chispas que podrían iniciar incendios en vegetación seca. Podría requerirse un supresor de chispas. Póngase en contacto con las agencias locales de combate a incendios para consultar las regulaciones referentes a requisitos de prevención de incendios.

0010-10

RAINPROOF ENCLOSURE **ÉTANCHE À LA PLUIE ENCEINTE** **GABINETE A PRUEBA DE LLUVIA**

GENERATOR SERVICE DISCONNECT **GÉNÉRATRICE ENTRETIEN DÉBRANCHER** **DESCONECTOR DE SERVICIO DEL GENERADOR**

0010-10

WARNING AVERTISSEMENT ADVERTENCIA

To reduce the risk of fire, replace only with same type and rating of fuse.

15AMP TYPE ATO

Pour réduire le risque d'incendie, remplacez avec un fusible de même type et classification.

15 A TYPE ATO

Para reducir el riesgo de incendio, reemplaza solamente con un fusible del mismo tipo y capacidad.

15 AMP TIPO ATO

WARNING AVERTISSEMENT ADVERTENCIA

Hot surface could result in serious injury. Do not touch.

La surface chaude pourrait entraîner des blessures graves. Ne touchez pas.

La superficie caliente podría causar lesiones serias. No tocar.

0010-50

Replace with UL listed fuse of same type and rating 600 volt, 10 amp

Remplacez avec un fusible homologue UL de même type et classification de 600 volts, 10 amp.

Reemplaza con un fusible certificado por UL del mismo tipo y clasificación: 600 voltios, 10 amperios

0010-110

0010-90

0010-100

0010-130 **0010-180**

0010-190 **0010-200**

0010-140

0010-150

0010-160

0010-170

0010-210

0010-220

0010-230

WARNING AVERTISSEMENT ADVERTENCIA

Cancer and Reproductive Harm
www.P65Warnings.ca.gov

Cancer et Troubles de l'Appareil Reproducteur
www.P65Warnings.ca.gov

Cáncer y Problemas Reproductivos
www.P65Warnings.ca.gov

0010-210

NOTICE AVIS AVISO

CONDUIT ENTRY AREA
ZONE D'ENTRÉE DU CONDUIT
ÁREA DE ENTRADA DE CONDUIT

0010-30

CAUTION MISE EN GARDE PRECAUCION

Connect output of generator to suitably rated transfer switch in accordance with the Canadian Electrical Code, Part 1.

Branchez la sortie de la génératrice à un commutateur converteur de classification convenable, selon le Code canadien de l'électricité, partie 1.

Conecte la salida del generador a un interruptor de transferencia de la capacidad adecuada de acuerdo con el Código Eléctrico Canadiense, Parte 1.

0010-60

WARNING AVERTISSEMENT ADVERTENCIA

Hot pressurized coolant could result in severe injury. Do not open when hot. Allow coolant to cool before servicing.

Le liquide de refroidissement pourrait provoquer de sévères blessures. Ne pas ouvrir lorsque le liquide de refroidissement est chaud. Laissez refroidir le liquide de refroidissement avant d'effectuer l'entretien.

El refrigerante caliente a presión podría causar lesiones severas. No abra cuando esté caliente. Permita que el refrigerante se enfríe antes de dar servicio.

0010-70

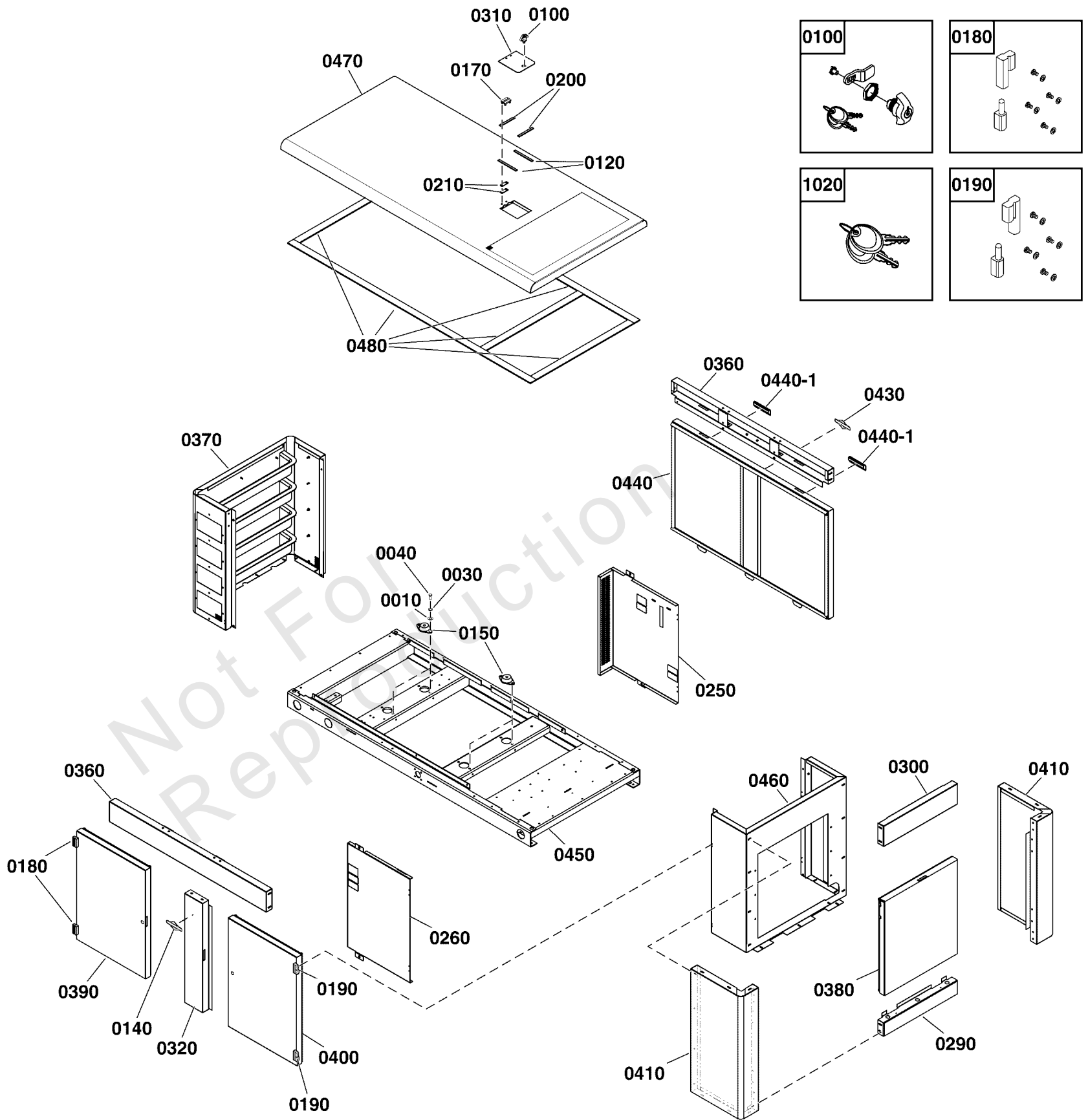
Decals Group - Circuit Protection

REF NO	PART NO	QTY	DESCRIPTION
0010	84011107	1	DECAL SHEET, Warnings -(Includes all decals shown on sheet.)
0010-10	-----	1	DECAL-WARNING, RISK OF FIRE
0010-20	-----	1	DECAL-WARNING, FUSE
0010-30	-----	1	DECAL-NOTICE, CONDUIT ENTRY
0010-40	-----	1	DECAL-NOTICE, TERMINAL & BUS LUGS
0010-50	-----	3	DECAL-WARNING, HOT SURFACE
0010-60	-----	1	DECAL-WARNING, EXHAUST
0010-70	-----	1	DECAL-WARNING, HOT COOLANT
0010-90	-----	1	DECAL-RAINPROOF ENCLOSURE
0010-100	-----	1	DECAL-DISCONNECT
0010-110	-----	1	DECAL-FUSE REPLACEMENT
0010-120	-----	1	DECAL-CIRCUIT BREAKER
0010-130	-----	1	DECAL, Terminal Strip, Numbers 8-1
0010-140	-----	1	DECAL-L1 / L2
0010-150	-----	1	DECAL-NEUTRAL
0010-160	-----	3	DECAL-GROUND
0010-170	-----	1	DECAL-TERMINAL, 25/26
0010-180	-----	1	DECAL-TERMINAL STRIP
0010-190	-----	1	DECAL-TERMINAL STRIP
0010-200	-----	1	DECAL-TERMINAL STRIP
0010-210	-----	1	DECAL, Warning -(The installation of this decal is required for units manufactured after 08/30/2018 and sold in the state of California.)
0010-220	-----	1	DECAL
0010-230	-----	1	DECAL
0030	771702	1	DECAL-NOTICE, FUEL REQUIREMENTS

Enclosure Group

Note: Unless noted otherwise, use the standard torque specifications

Mfg. No: 076331-02



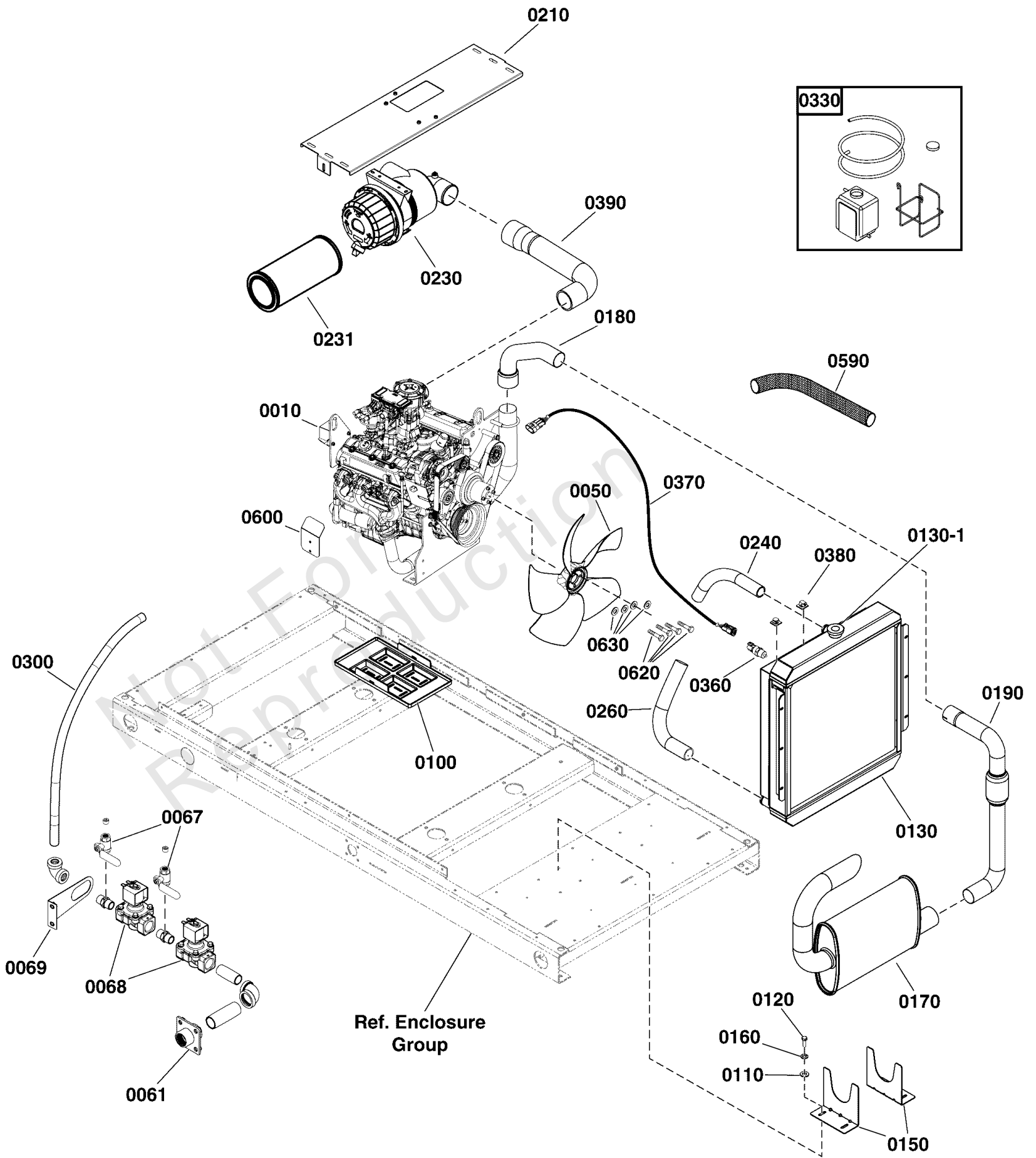
Enclosure Group

REF NO	PART NO	QTY	DESCRIPTION
0010	22131GS	8	WASHER, Flat 3/8"
0030	22237GS	8	WASHER, Locking, 3/8
0040	23152GS	8	HHCS, 3/8" - 16 x 3/4"
0100	204700GS	1	KIT, Door Latch
0120	197316GS	2	SEAL, Foam
0140	203442GS	1	DECAL -(4.5")
0150	204653GS	4	MOUNT, Vibration
0170	205225GS	1	HINGE, Plate Cover
0180	204920GS	2	KIT, Door Hinge, Right
0190	204852GS	2	KIT, Door Hinge, Left
0200	207758GS	2	SEAL, Foam
0210	BA310477GS	2	PLATE-COVER
0250	314301GS	1	PANEL-GUARD -(Includes Warning Decals)
0260	314302GS	1	PANEL-GUARD -(Includes Warning Decals)
0290	708909	1	RAIL, Support
0300	708908	1	RAIL-SUPPORT
0310	708891	1	COVER
0320	708916	1	SUPPORT
0360	708910	2	RAIL-SUPPORT
0370	708885	1	BULKHEAD-ALTERNATOR
0380	708893	1	DOOR
0390	708896	1	DOOR, LH
0400	708898	1	DOOR, RH
0410	708889	2	CORNER
0430	770025	1	DECAL -(9")
0440	770036	1	DOOR -(Includes Ref. No. 0440-1)
0440-1	186049GS	2	HANDLE, Door, Recessed Pull
0450	-----	1	BASE
0460	770049	1	BULKHEAD-ENGINE
0470	770050	1	ROOF
0480	205368GS	5	SEAL TAPE, Vinyl
1020	207652GS	1	SET, Latch Key, Plain

Engine Group

Note: Unless noted otherwise, use the standard torque specifications

Mfg. No: 076331-02



Engine Group

REF NO	PART NO	QTY	DESCRIPTION
0010	80021386	1	ENGINE, 4.3L
0050	312710GS	1	FAN
0061	BC310518GS	1	COUPLING
0067	312788GS	2	BALL, Valve, 1/8
0068	706433	2	SOLENOID-GAS FUEL
0069	84006780	1	BRACKET, Fuel Solenoid
0100	205623GS	1	TRAY, Battery
0110	-----	20	*WASHER, 1/4, SS -(*See footnote)
0120	-----	18	*HHCS, 1/4-20 X 3/4 SS -(*See footnote)
0130	312322GS	1	RADIATOR
0130-1	314566GS	1	CAP-RADIATOR
--	314551GS	1	VALVE-DRAIN -(Not Illustrated)
0150	707174	2	BRACKET
0160	83896GS	4	WSHR, 1/4-M6, SS, LOCK
0170	707173	1	MUFFLER
0180	770047	1	PIPE-EXHAUST
0190	770048	1	DOWNPIPE-EXHAUST
0210	708758	1	BRACKET-AIR CLEANER
0230	709905	1	FILTER-AIR
0231	770029	1	FILTER-CARTRIDGE
0240	313211GS	1	HOSE, Radiator
0260	770027	1	HOSE
0300	208354GS	1	HOSE-FUEL
0330	205226GS	1	KIT, Bottle Overflow
0350	708763	1	HARNES-WIRE -(Not Illustrated)
0360	84011155	1	SENSOR, Low Coolant
0370	708762	1	HARNES-WIRE, LOW COOLANT SENSOR
0380	197355GS	2	CLIP, Latching Wire
0390	770028	1	TUBE-INTAKE
0540	192669GS	1	Clamp, Hose, "J" -(Not Illustrated)
0555	310811GS	1	CABLE-BATTERY, BLACK -(Not Illustrated)
0560	310812GS	1	CABLE-BATTERY, POS -(Not Illustrated)
0590	206985GS	1	SLEEVE, Insulation
0600	-----	1	*HEAT SHIELD
0620	42914GS	4	CAPSCREW, Hex Head, M8- 1 1/4 x 90
0630	22145GS	4	WASHER, Flat, 5/16 - M8

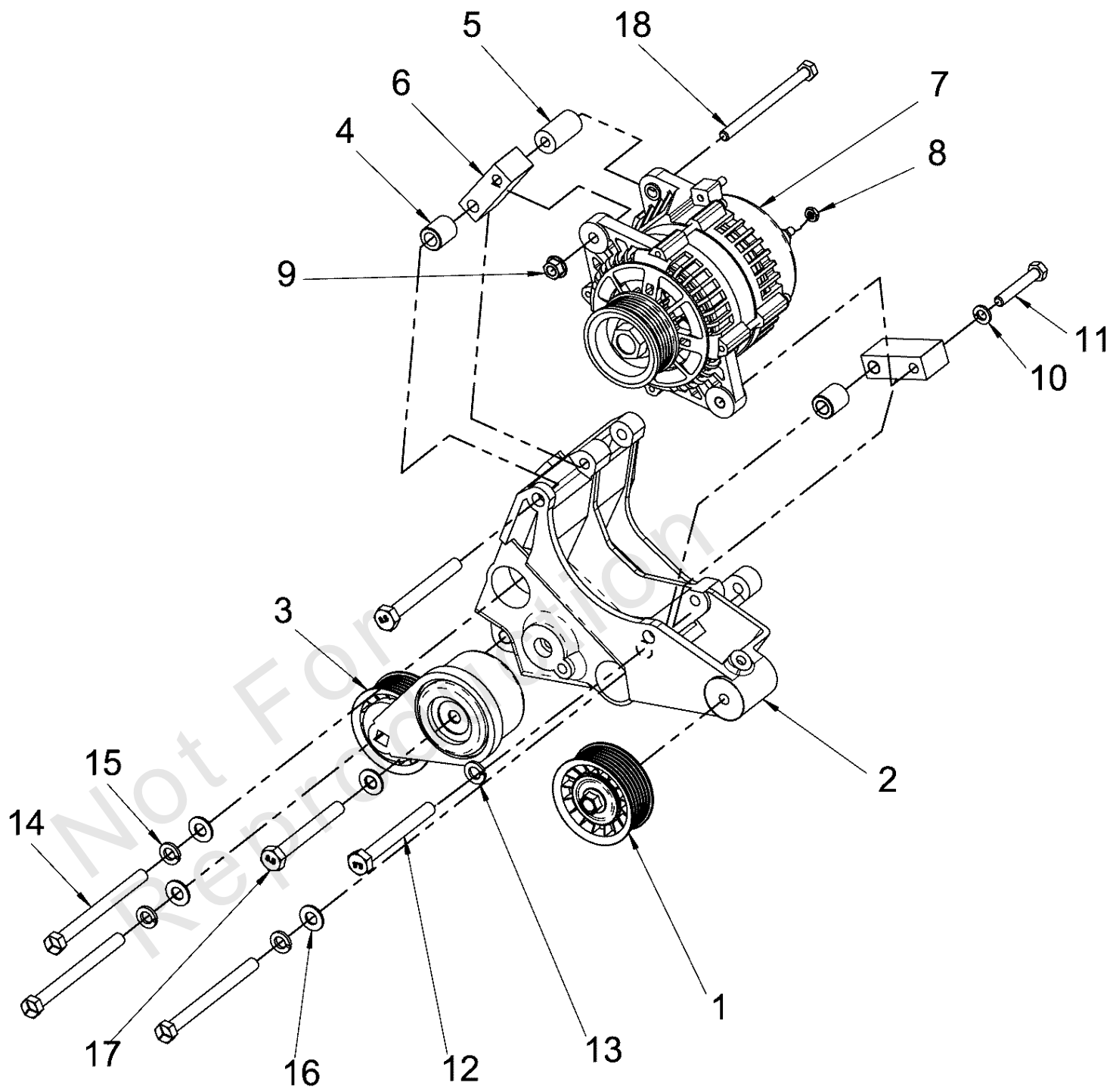
Footnotes:

* Items without part numbers are common fasteners and are available at your local hardware store.

Engine Group - Alternator

Note: Unless noted otherwise, use the standard torque specifications

Mfg. No: 076331-02



Engine Group - Alternator

REF NO	PART NO	QTY	DESCRIPTION
1	708971		IDLER PULLEY
2	-----		*BRACKET -(*See footnote)
3	708972		PULLEY
4	-----		* SPACER -(*See footnote)
5	-----		* SPACER -(*See footnote)
6	-----		* BLOCK MOUNT -(*See footnote)
7	708998		ALTERNATOR
8	-----		*NUT -(*See footnote)
9	-----		*NUT -(*See footnote)
10	-----		*WASHER -(*See footnote)
11	-----		*BOLT -(*See footnote)
12	-----		*BOLT -(*See footnote)
13	-----		*WASHER -(*See footnote)
14	-----		*BOLT -(*See footnote)
15	-----		*WASHER -(*See footnote)
16	-----		*WASHER -(*See footnote)
17	-----		*BOLT -(*See footnote)
18	-----		*BOLT -(*See footnote)

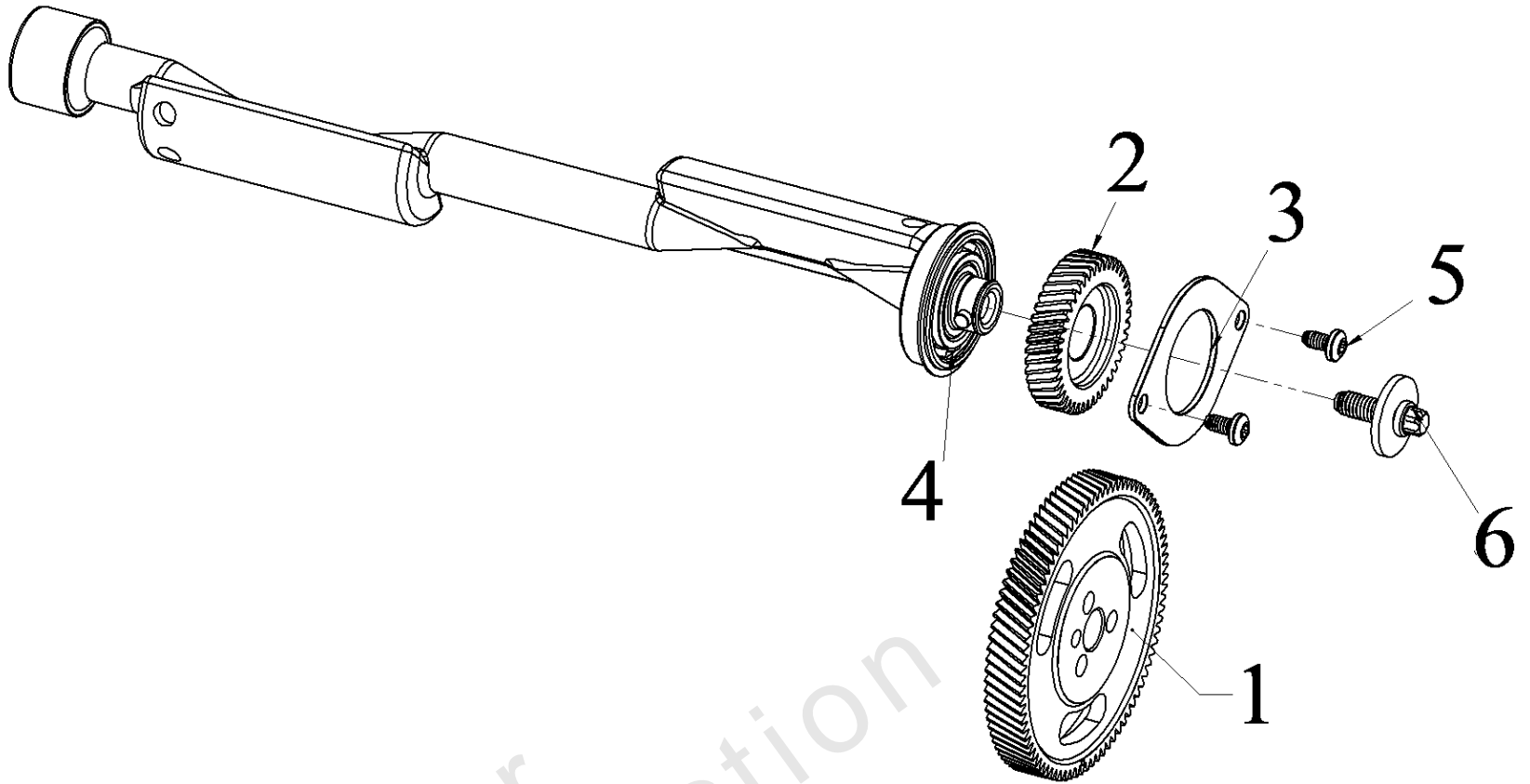
Footnotes:

Note:* Speak to your authorized Briggs & Stratton dealer. For dealers, speak to Briggs & Stratton Technical Support.

Engine Group - Balancer Shaft

Note: Unless noted otherwise, use the standard torque specifications

Mfg. No: 076331-02



Engine Group - Balancer Shaft

REF NO	PART NO	QTY	DESCRIPTION
1	-----	1	*GEAR, BALANCER SHAFT DRIVE -(*See footnote)
2	-----	1	*GEAR, BALANCER SHAFT DRIVE -(*See footnote)
3	-----	1	*RETAINER, BALANCER SHAFT -(*See footnote)
4	-----	1	*KIT, BALANCE SHAFT -(*See footnote)
5	-----	2	*BOLT, BALANCER SHAFT RETAINER -(*See footnote)
6	-----	1	*BOLT -(*See footnote)

Not For
Reproduction

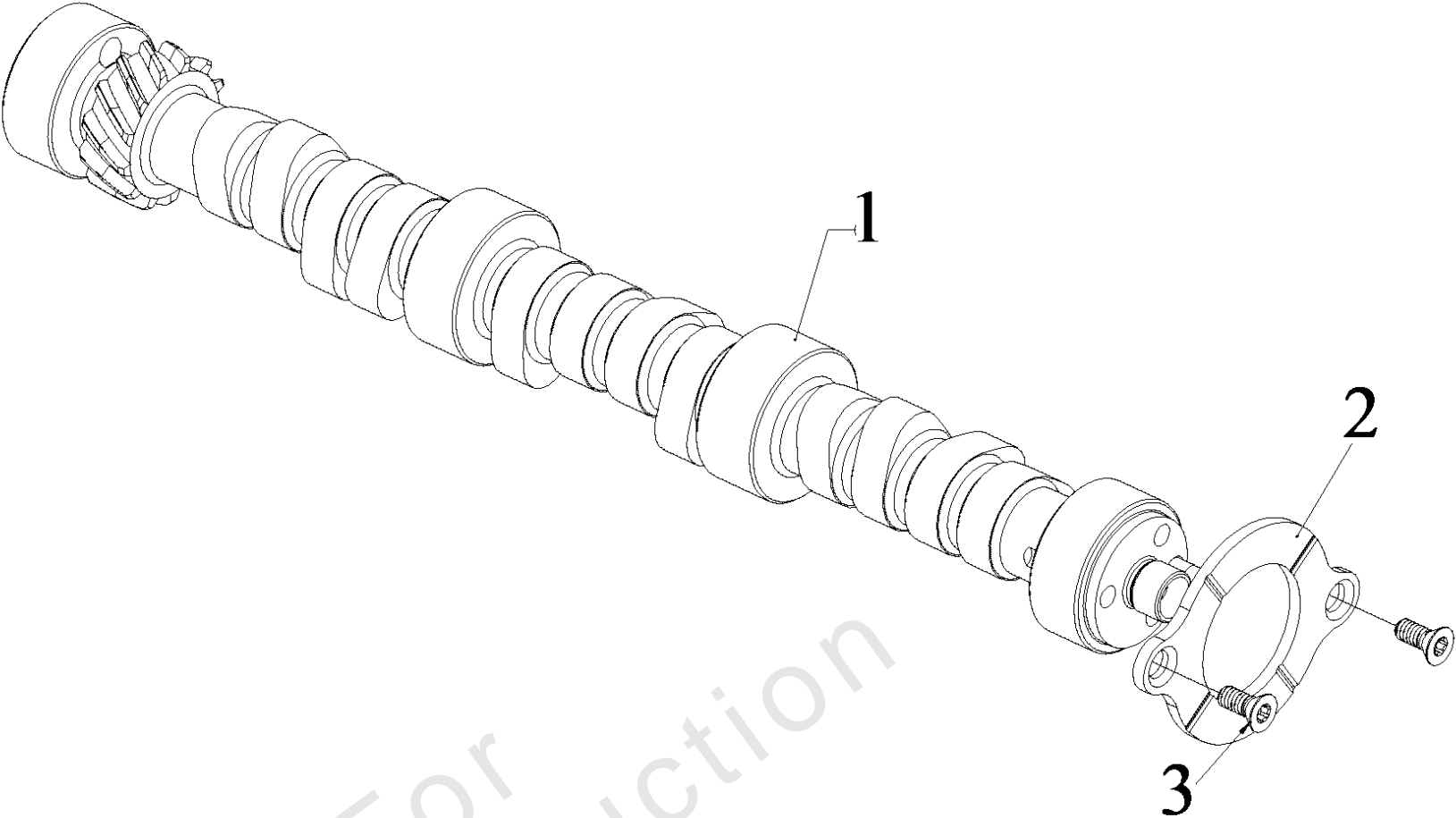
Footnotes:

Note:* Speak to your authorized Briggs & Stratton dealer. For dealers, speak to Briggs & Stratton Technical Support.

Engine Group - Camshaft

Note: Unless noted otherwise, use the standard torque specifications

Mfg. No: 076331-02



Engine Group - Camshaft

REF NO	PART NO	QTY	DESCRIPTION
1	-----	1	*CAMSHAFT -(*See footnote)
2	-----	1	*RETAINER, CAMSHAFT -(*See footnote)
3	-----	2	*BOLT -(*See footnote)

Not For
Reproduction

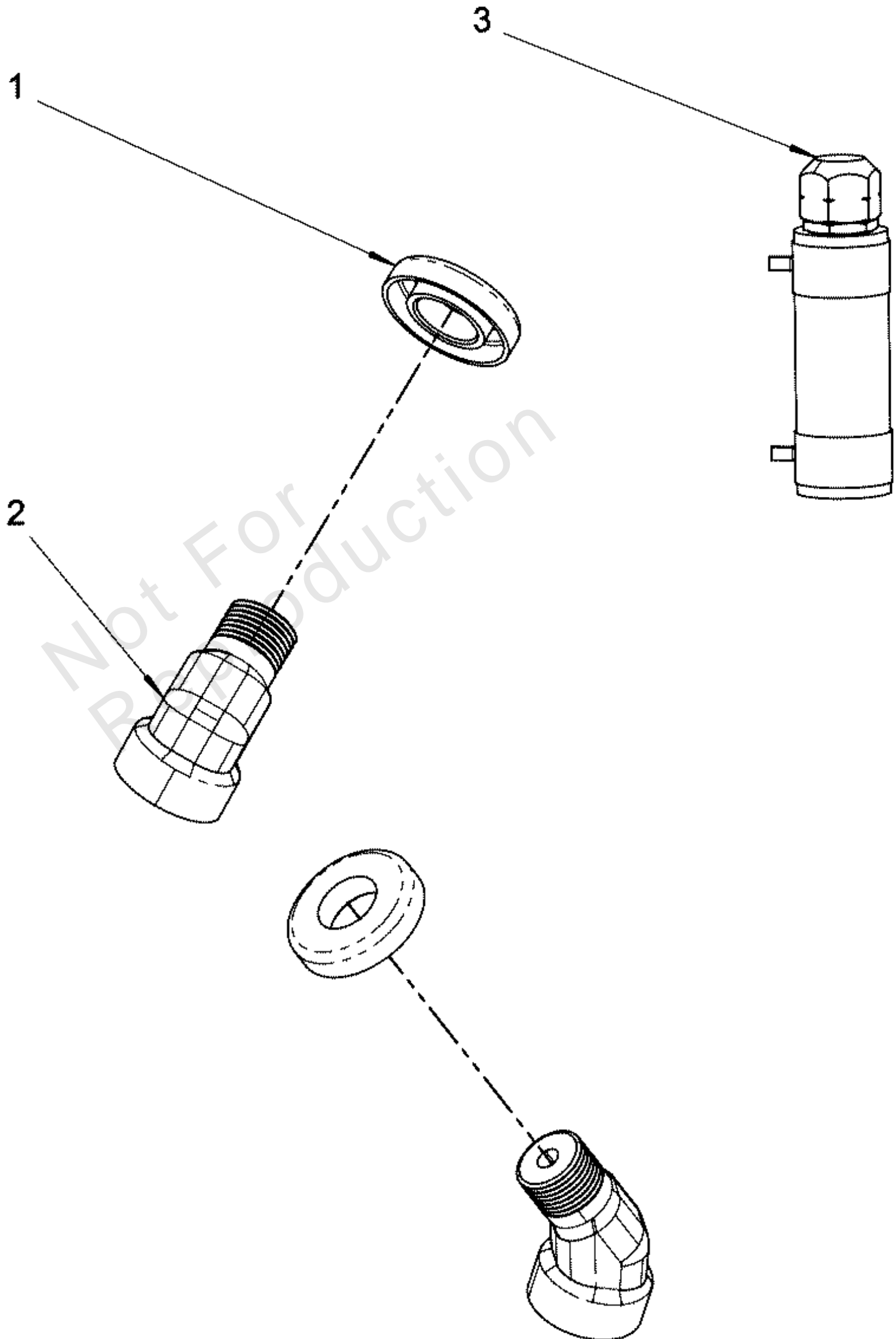
Footnotes:

Note:* Speak to your authorized Briggs & Stratton dealer. For dealers, speak to Briggs & Stratton Technical Support.

Engine Group - Coolant Fittings

Note: Unless noted otherwise, use the standard torque specifications

Mfg. No: 076331-02



Engine Group - Coolant Fittings

REF NO	PART NO	QTY	DESCRIPTION
1	80024746	2	ADAPTER, FR/PLUG
2	-----	2	*PIPE, STR ELBOW -(*See footnote)
3	80024728	1	CAP, W/PMP HOSE
4	708983	1	CLAMP, HOSE -(Not Illustrated)
--	80024764	1	COOLANT FITTING ASSEMBLY

Not For
Reproduction

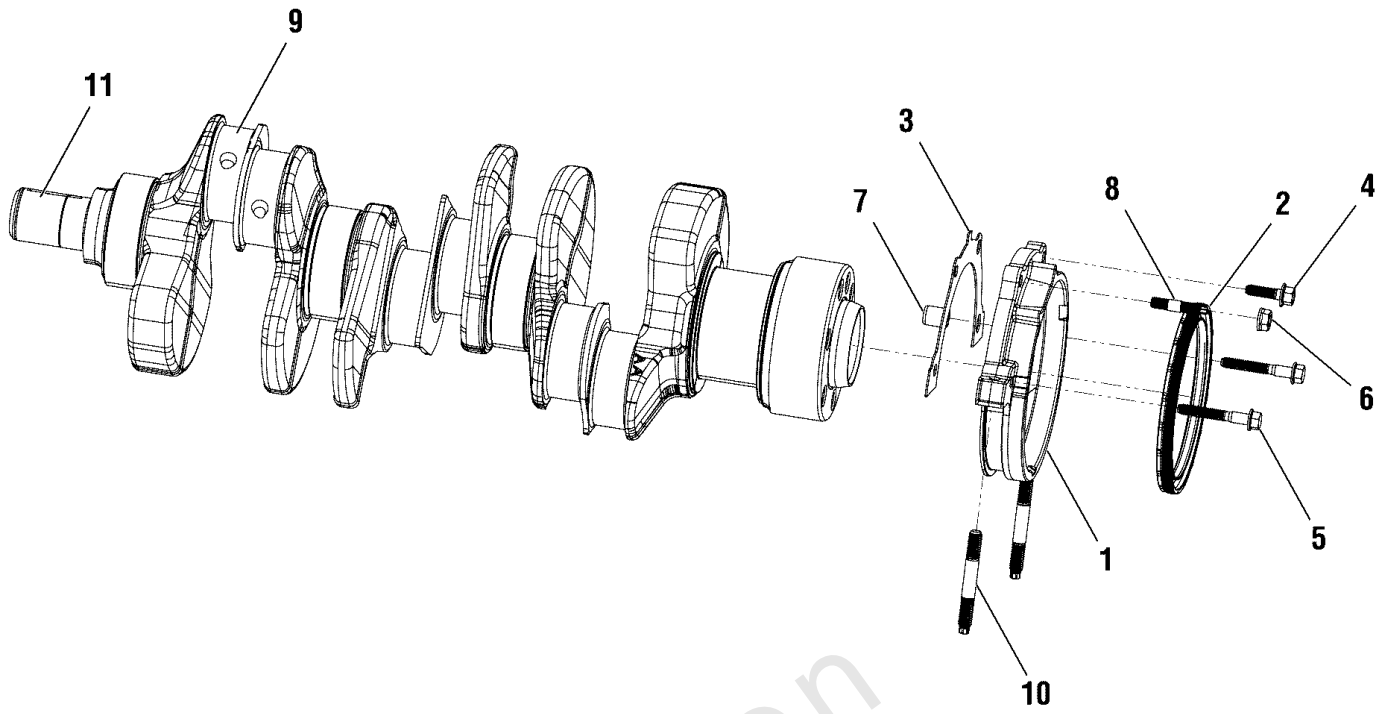
Footnotes:

Note:* Speak to your authorized Briggs & Stratton dealer. For dealers, speak to Briggs & Stratton Technical Support.

Engine Group - Crankshaft

Note: Unless noted otherwise, use the standard torque specifications

Mfg. No: 076331-02



Not For
Reproduction

Engine Group - Crankshaft

REF NO	PART NO	QTY	DESCRIPTION
1	-----	1	*HOUSING, CRK/SHF RR OIL SEAL -(*See footnote)
2	770914	1	SEAL, CRANKSHAFT
3	80024748	1	GASKET, CRK/SHF RR OIL SEAL HOUSING
4	-----	1	*BOLT, OIL SEAL HOUSING -(*See footnote)
5	-----	2	*BOLT -(*See footnote)
6	-----	1	*NUT -(*See footnote)
7	-----	1	*PIN, LOCATING -(*See footnote)
8	-----	1	*STUD, OIL SEAL RETAINER (RR) -(*See footnote)
9	-----	1	*SET, MAIN BEARING -(*See footnote)
10	-----	2	*STUD, OIL SEAL RETAINER (RR) -(*See footnote)
11	-----	1	*CRANKSHAFT -(*See footnote)

Not For
Reproduction

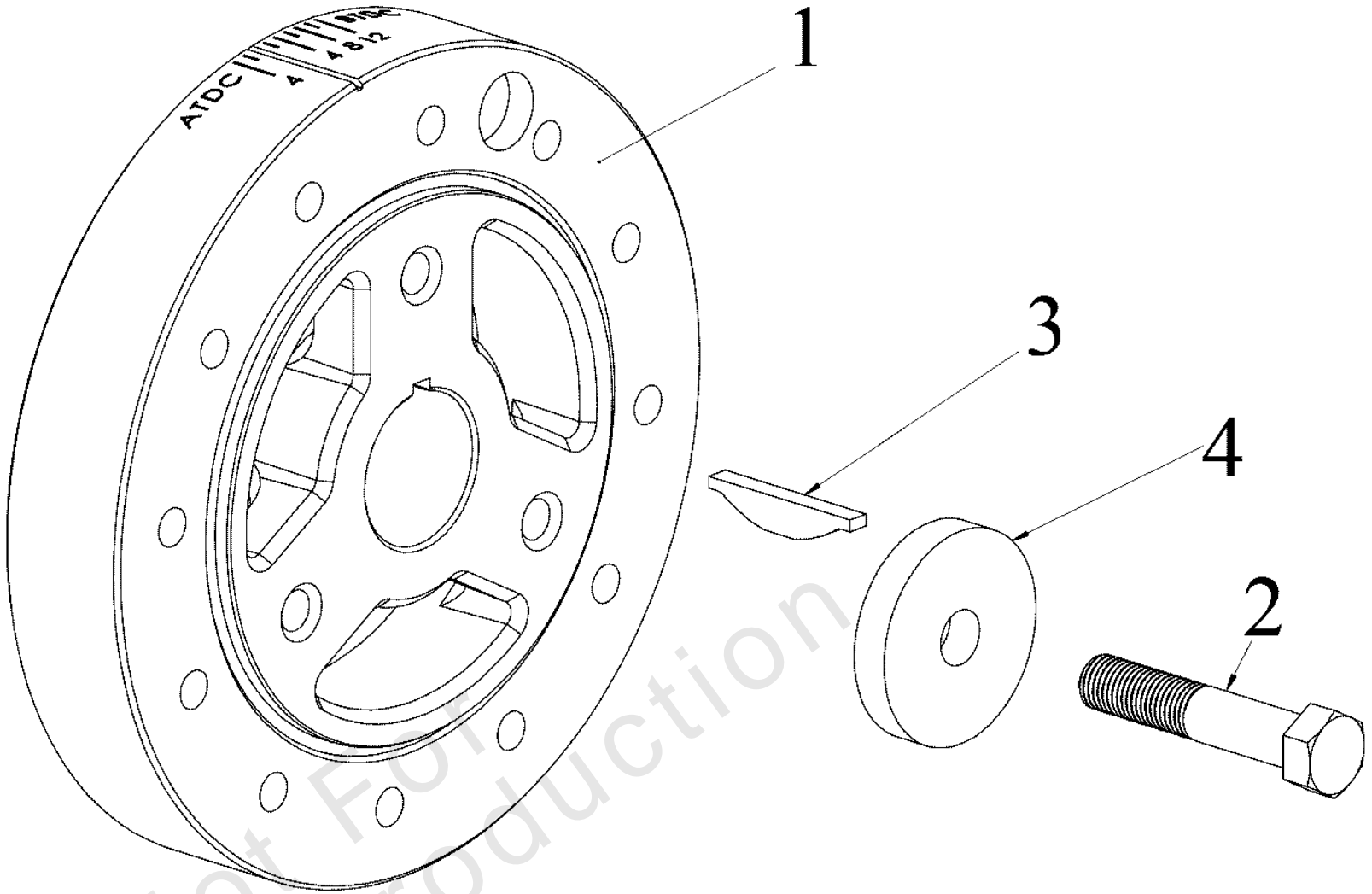
Footnotes:

Note:* Speak to your authorized Briggs & Stratton dealer. For dealers, speak to Briggs & Stratton Technical Support.

Engine Group - Crankshaft Balancer

Note: Unless noted otherwise, use the standard torque specifications

Mfg. No: 076331-02



Engine Group - Crankshaft Balancer

REF NO	PART NO	QTY	DESCRIPTION
1	80024975	1	DAMPER
2	-----	1	BOLT, DAMPER -(*See footnote)
3	-----	1	*KEY, CRANKSHAFT -(*See footnote)
4	-----	1	WASHER -(*See footnote)

Not For
Reproduction

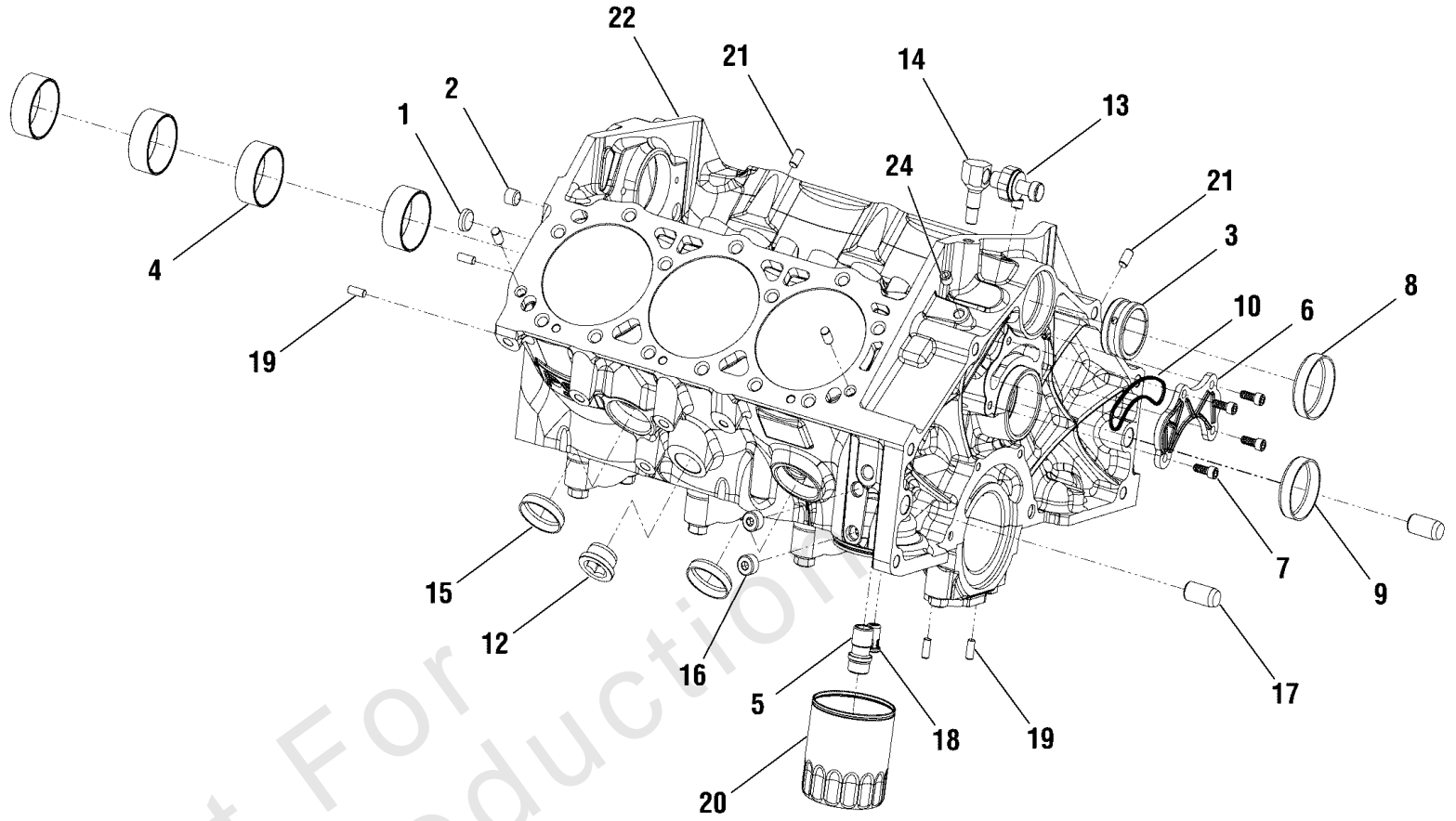
Footnotes:

Note:* Speak to your authorized Briggs & Stratton dealer. For dealers, speak to Briggs & Stratton Technical Support.

Engine Group - Cylinder Block

Note: Unless noted otherwise, use the standard torque specifications

Mfg. No: 076331-02



Engine Group - Cylinder Block

REF NO	PART NO	QTY	DESCRIPTION
1	770900	1	PLUG, CORE
2	770901	1	PLUG, CORE
3	-----	1	*BEARING, BALANCER SHAFT -(*See footnote)
4	-----	1	* SET, BEARING CAMSHAFT -(*See footnote)
5	-----	1	* ADAPTOR, OIL FILTER -(*See footnote)
6	-----	1	* COVER, REAR OIL CROSSOVER -(*See footnote)
7	-----	4	* BOLT, REAR OIL CROSSOVER COVER -(*See footnote)
8	80024678	1	PLUG, REAR BALANCE SHAFT
9	80024679	1	PLUG, REAR CAM
10	80024680	1	O-RING
11	-----	1	*BALL, PLUG -(*See footnote)
12	-----	2	*PLUG, COOLANT DRAIN -(*See footnote)
13	708873	1	OIL PRESSURE SENSOR
14	80024681	1	FITTING, OIL PRESSURE GAUGE
15	770863	4	CORE PLUG
16	-----	2	*PLUG OIL GALLEY -(*See footnote)
17	-----	2	*PIN, F/W HOUSING -(*See footnote)
18	-----	1	*VALVE, OIL FILTER BYPASS -(*See footnote)
19	-----	4	*DOWEL PIN -(*See footnote)
20	80024683	1	FILTER, OIL
21	-----	4	*PIN, CYLINDER HEAD -(*See footnote)
22	-----	1	*CRANKCASE -(*See footnote)
24	-----	2	*PLUG, OIL GALLEY -(*See footnote)

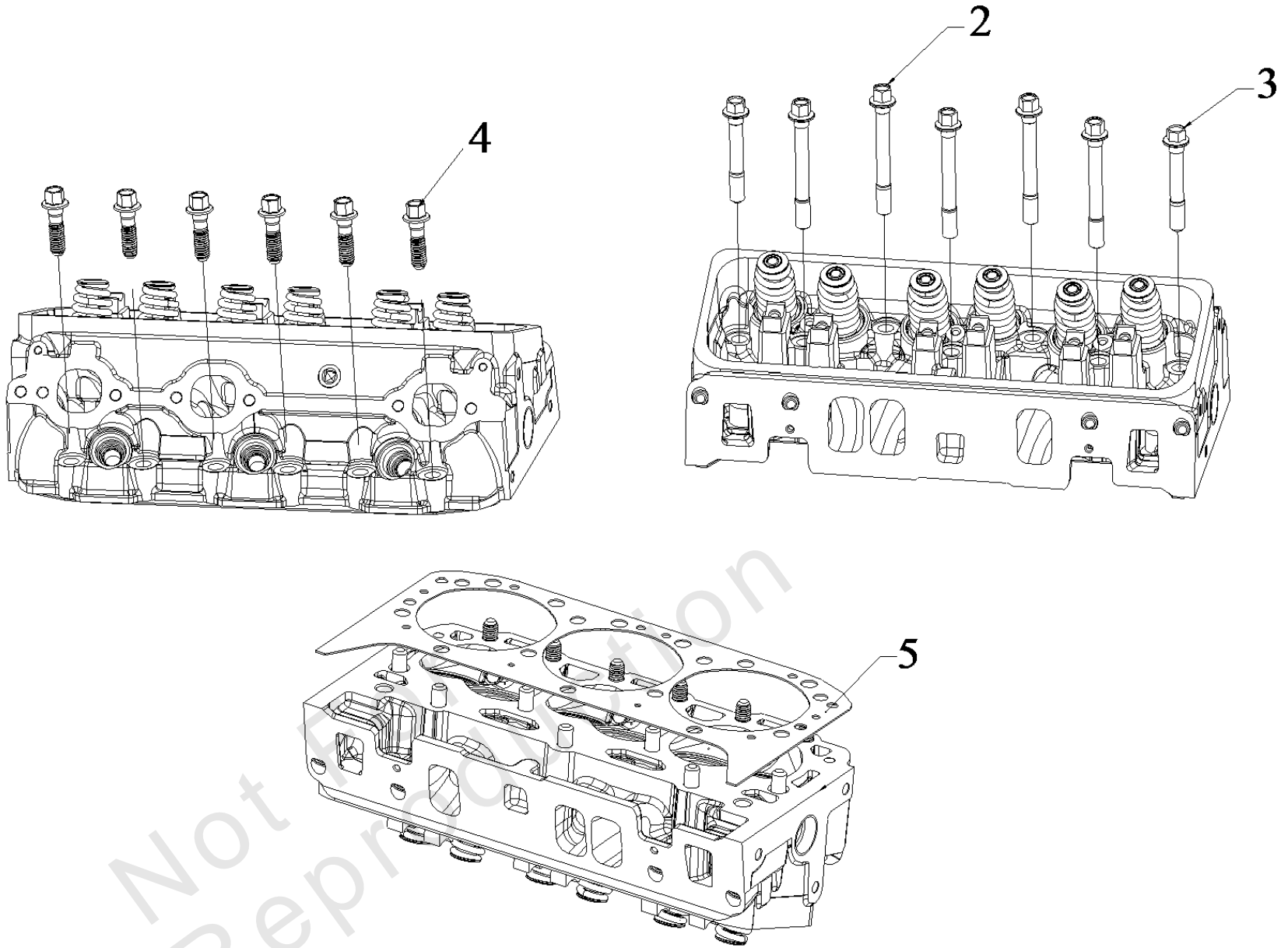
Footnotes:

Note:* Speak to your authorized Briggs & Stratton dealer. For dealers, speak to Briggs & Stratton Technical Support.

Engine Group - Cylinder Gasket & Hardware

Note: Unless noted otherwise, use the standard torque specifications

Mfg. No: 076331-02



Engine Group - Cylinder Gasket & Hardware

REF NO	PART NO	QTY	DESCRIPTION
2	-----	10	* BOLT -(*See footnote)
3	-----	4	* BOLT -(*See footnote)
4	-----	12	* BOLT -(*See footnote)
5	770919	2	GASKET, CYLINDER HEAD

Not For
Reproduction

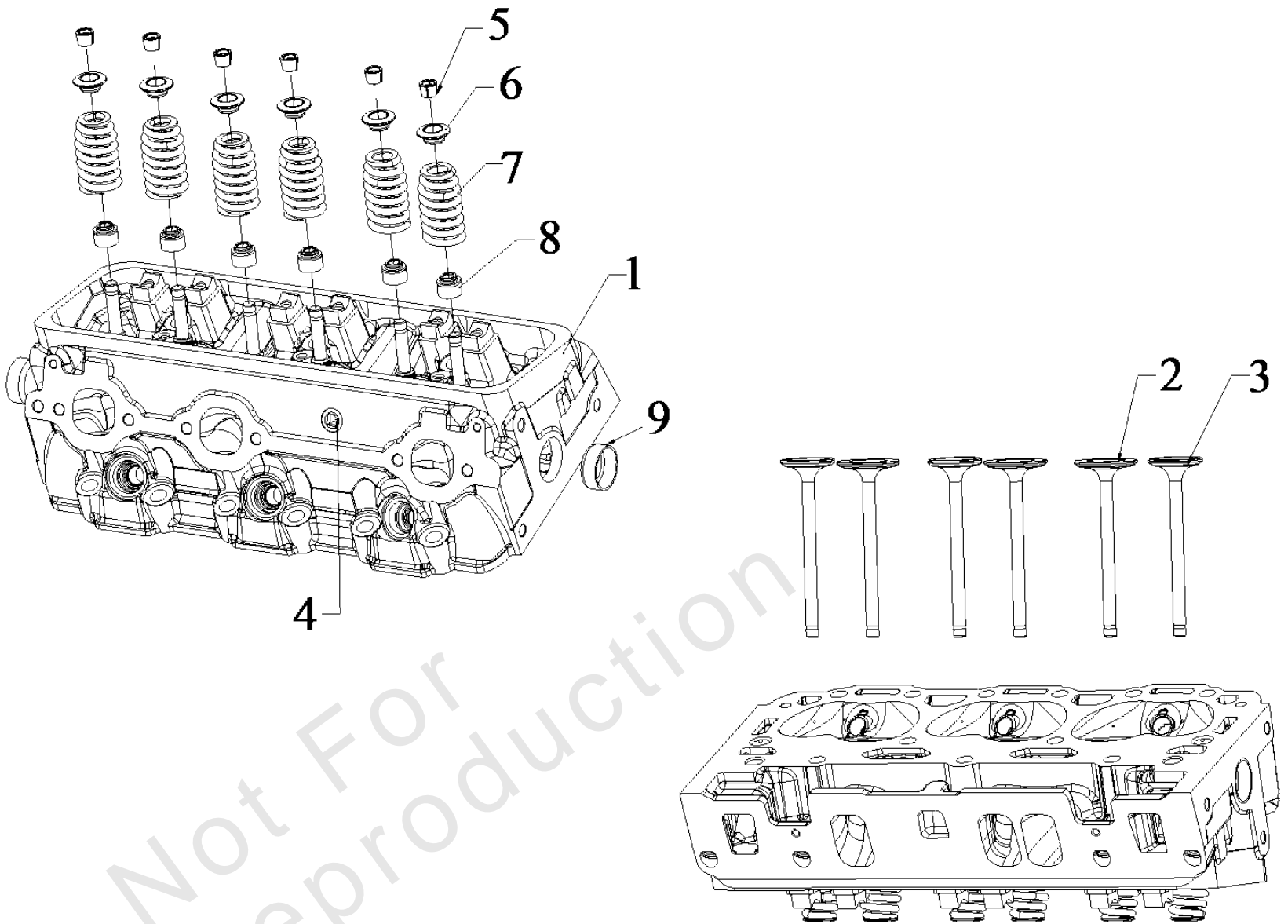
Footnotes:

Note:* Speak to your authorized Briggs & Stratton dealer. For dealers, speak to Briggs & Stratton Technical Support.

Engine Group - Cylinder Head

Note: Unless noted otherwise, use the standard torque specifications

Mfg. No: 076331-02



Engine Group - Cylinder Head

REF NO	PART NO	QTY	DESCRIPTION
1	-----	2	CYLINDER HEAD -(*See footnote)
2	-----	3	*VALVE, INTAKE -(*See footnote)
3	-----	3	*VALVE, EXHAUST -(*See footnote)
4	-----	1	*PLUG -(*See footnote)
5	-----	6	KEY -(*See footnote)
6	-----	6	RETAINER -(*See footnote)
7	-----	6	VALVE SPRING -(*See footnote)
8	-----	6	*SEAL, VALVE STEM -(*See footnote)
9	80024752	2	PLUG
--	80024765	1	CYLINDER HEAD ASSEMBLY

Not For
Reproduction

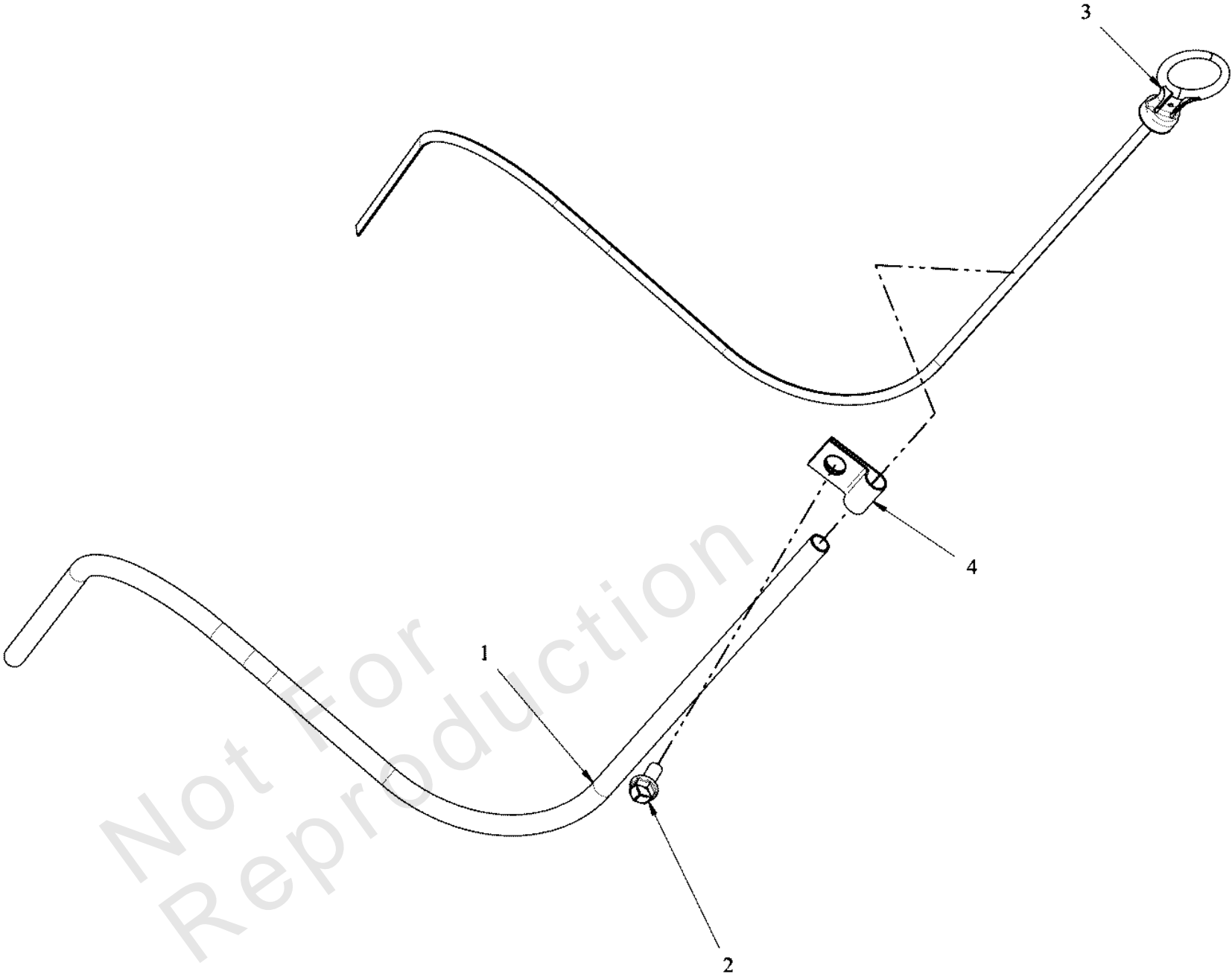
Footnotes:

Note:* Speak to your authorized Briggs & Stratton dealer. For dealers, speak to Briggs & Stratton Technical Support.

Engine Group - Dipstick & Tube

Note: Unless noted otherwise, use the standard torque specifications

Mfg. No: 076331-02



Engine Group - Dipstick & Tube

REF NO	PART NO	QTY	DESCRIPTION
1	-----	1	*TUBE, DIPSTICK -(*See footnote)
2	-----	1	*BOLT -(*See footnote)
3	-----	1	*DIPSTICK -(*See footnote)
4	-----	1	*CLAMP, D/S TUBE -(*See footnote)
--	80024979	1	DIPSTICK ASSEMBLY

Not For
Reproduction

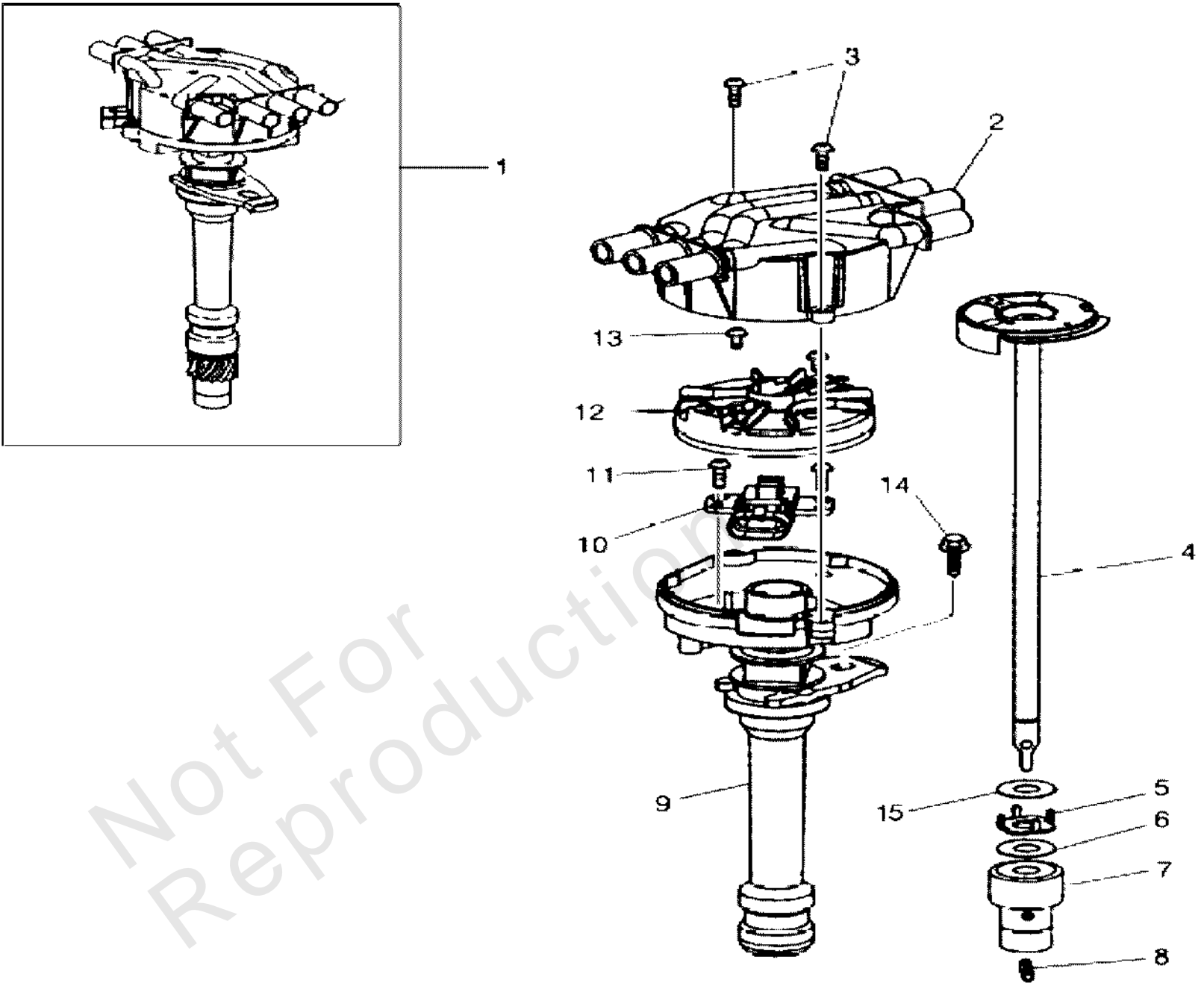
Footnotes:

Note:* Speak to your authorized Briggs & Stratton dealer. For dealers, speak to Briggs & Stratton Technical Support.

Engine Group - Distributor Parts

Note: Unless noted otherwise, use the standard torque specifications

Mfg. No: 076331-02



Engine Group - Distributor Parts

REF NO	PART NO	QTY	DESCRIPTION
1	770936	1	DISTRIBUTOR
2	770937	1	CAP, DISTRIBUTOR
3	-----	2	BOLT -(*See footnote)
4	-----		SHAFT -(*See footnote)
5	-----		WASHER -(*See footnote)
6	-----		WASHER -(*See footnote)
7	-----	1	GEAR KIT -(*See footnote)
8	-----	1	PIN -(*See footnote)
9	-----		HOUSING -(*See footnote)
10	708844	1	SENSOR
11	-----	2	BOLT -(*See footnote)
12	709461	1	ROTOR, DISTRIBUTOR
13	-----	2	BOLT -(*See footnote)
14	-----	2	BOLT -(*See footnote)
15	-----	1	GASKET -(*See footnote)

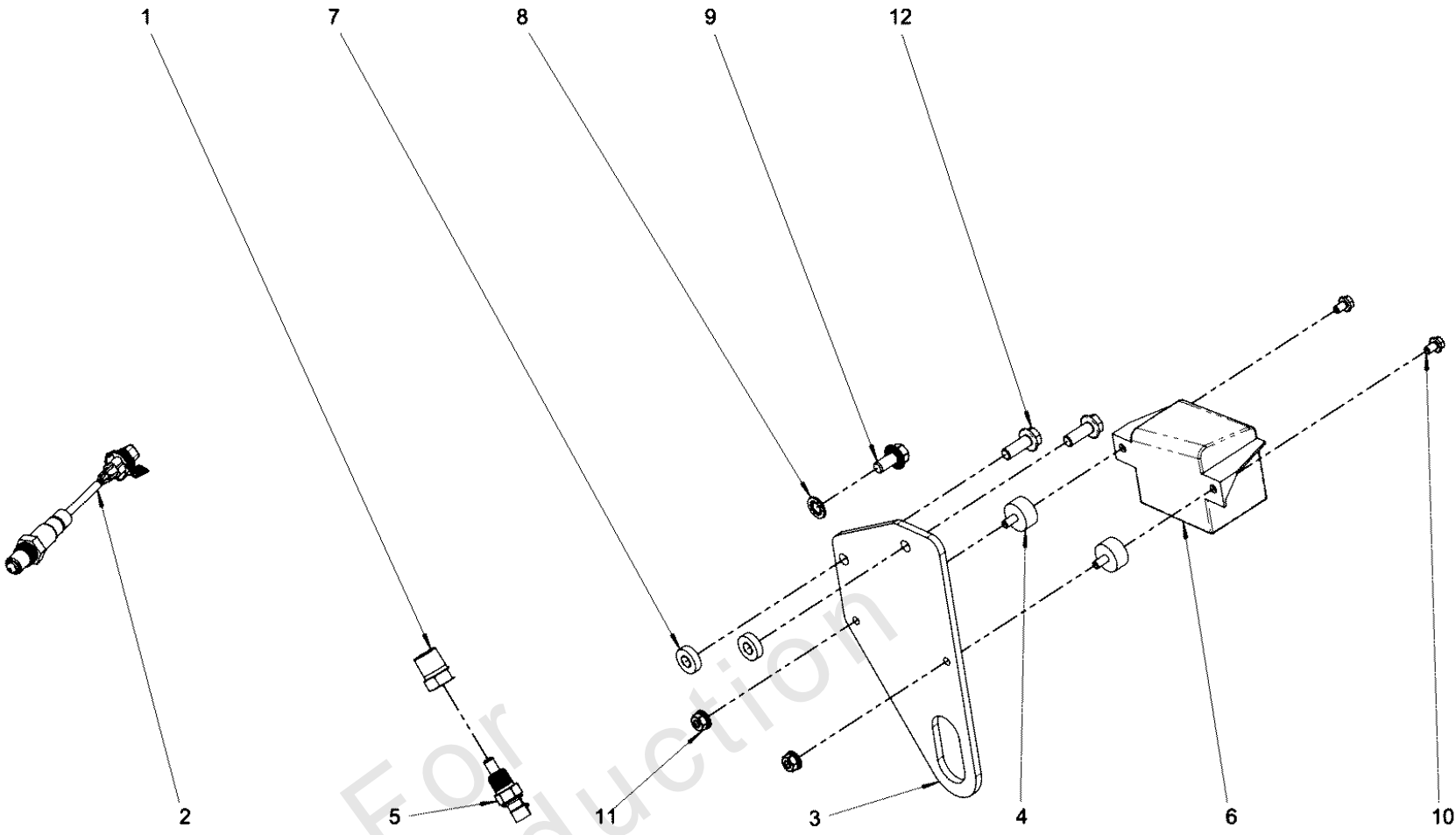
Footnotes:

Note:* Speak to your authorized Briggs & Stratton dealer. For dealers, speak to Briggs & Stratton Technical Support.

Engine Group - Electrical

Note: Unless noted otherwise, use the standard torque specifications

Mfg. No: 076331-02



Engine Group - Electrical

REF NO	PART NO	QTY	DESCRIPTION
1	-----	1	*FITTING -(*See footnote)
2	708872	1	SENSOR, O2
3	-----	1	*BRKT, LFTG EYE -(*See footnote)
4	-----	2	*ISOLATOR, RUBBER -(*See footnote)
5	708995	1	SENSOR, COOLANT
6	770946	1	HARNESS
7	-----	2	*WASHER -(*See footnote)
8	-----	1	*WASHER, STAR -(*See footnote)
9	-----	1	*BOLT -(*See footnote)
10	-----	2	*BOLT -(*See footnote)
11	-----	2	*NUT, FLANGE -(*See footnote)
12	-----	2	*BOLT -(*See footnote)

Not For
Reproduction

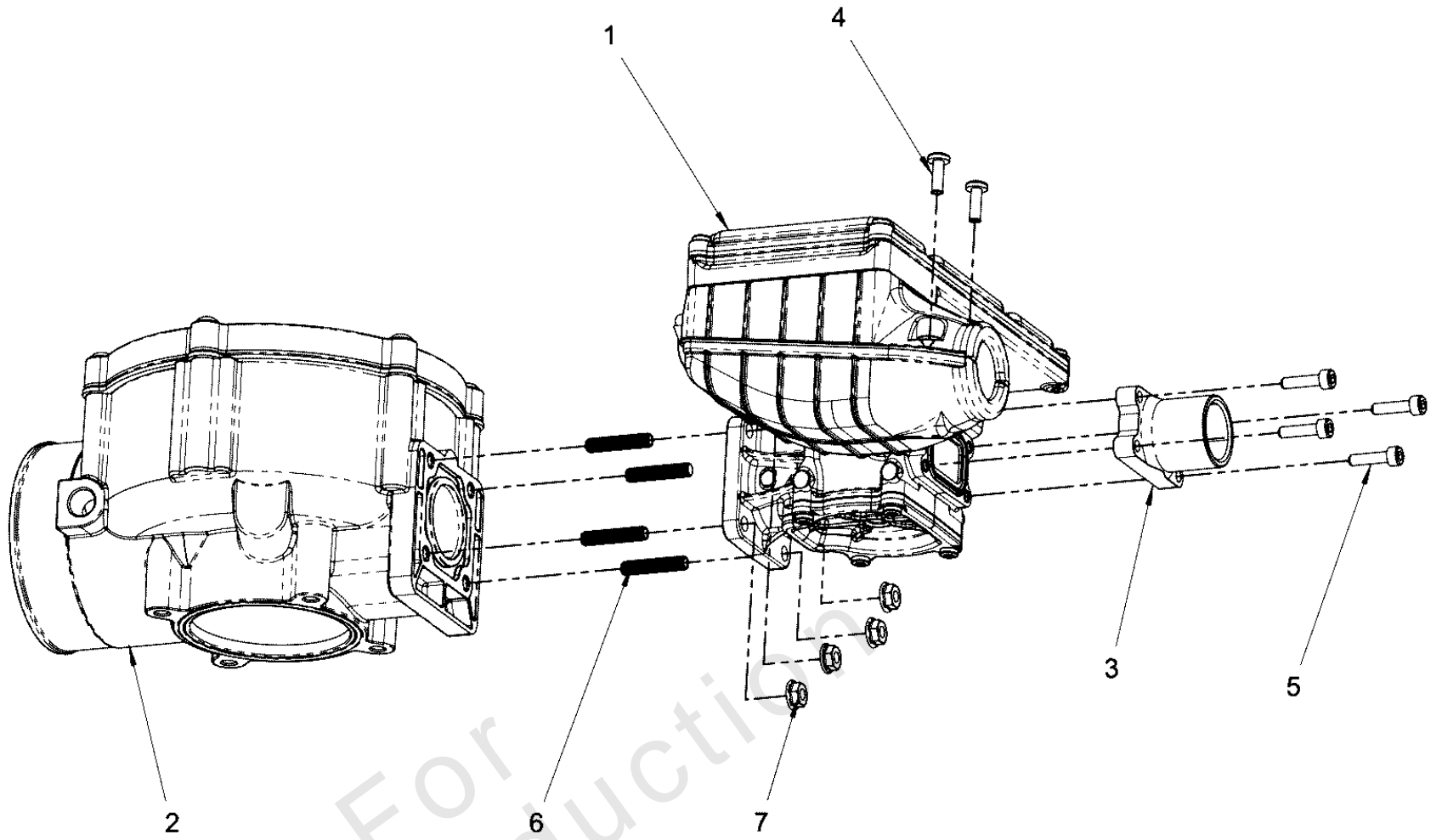
Footnotes:

Note:* Speak to your authorized Briggs & Stratton dealer. For dealers, speak to Briggs & Stratton Technical Support.

Engine Group - EPR & Mixer

Note: Unless noted otherwise, use the standard torque specifications

Mfg. No: 076331-02



Engine Group - EPR & Mixer

REF NO	PART NO	QTY	DESCRIPTION
1	80024747	1	I EPR
2	770954	1	MIXER
3	708868	1	ADAPTER, EPR
4	-----	2	*SCREW -(*See footnote)
5	-----	4	*BOLT -(*See footnote)
6	-----	4	*STUD -(*See footnote)
7	-----	4	*NUT -(*See footnote)

Not For
Reproduction

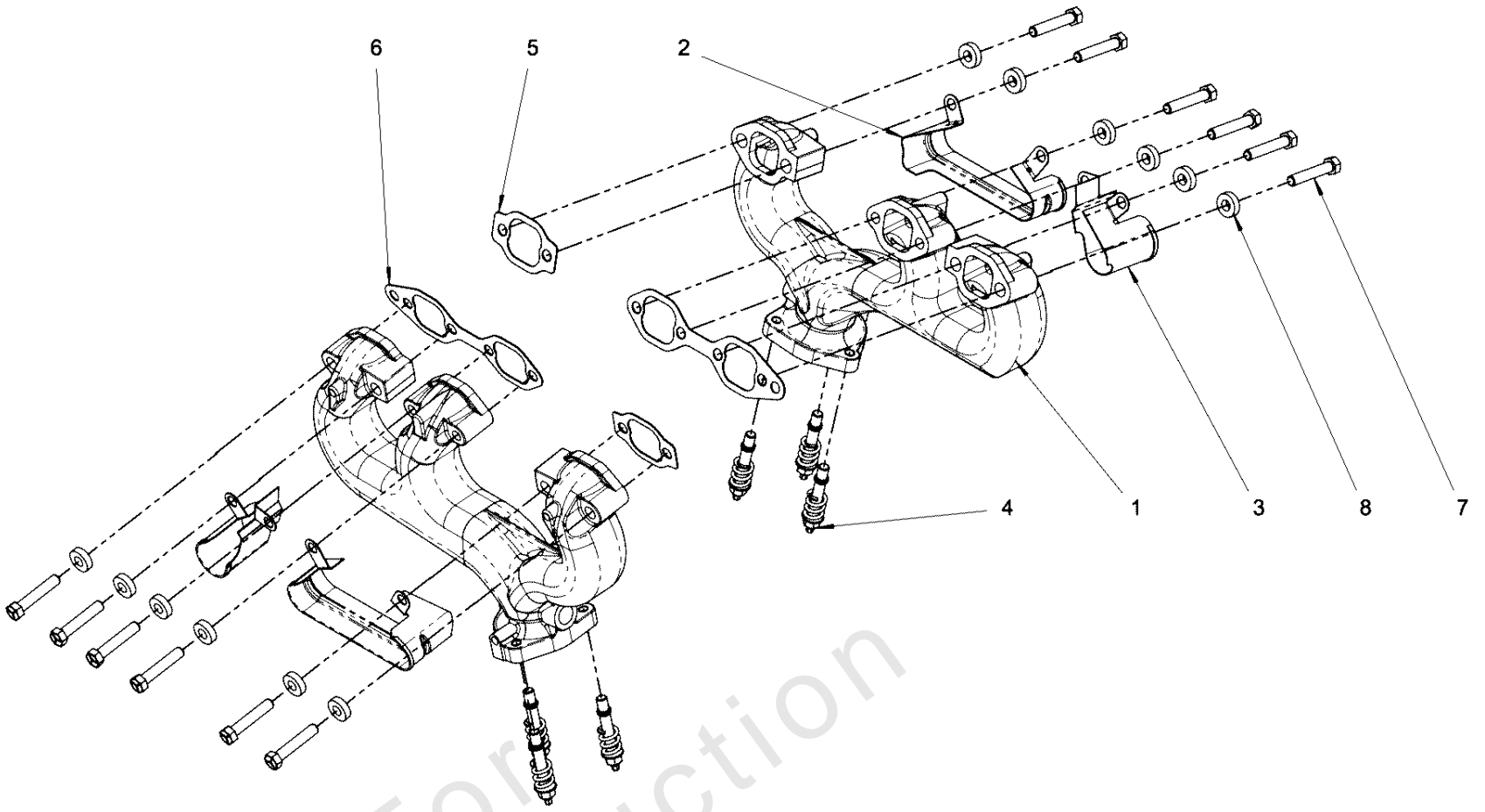
Footnotes:

Note:* Speak to your authorized Briggs & Stratton dealer. For dealers, speak to Briggs & Stratton Technical Support.

Engine Group - Exhaust Manifold

Note: Unless noted otherwise, use the standard torque specifications

Mfg. No: 076331-02



Engine Group - Exhaust Manifold

REF NO	PART NO	QTY	DESCRIPTION
1	-----	2	*MANIFOLD, EXHAUST -(*See footnote)
2	-----	2	SHIELD, HEAT -(*See footnote)
3	-----	2	*SHIELD, SPARK PLUG WIRE -(*See footnote)
4	-----	2	*KIT, EXHAUST -(*See footnote)
5	80024743	2	GASKET, E/MNFLD
6	80024744	2	GASKET, EXHAUST MANIFOLD
7	-----	12	*BOLT -(*See footnote)
8	-----	12	*WASHER -(*See footnote)

Not For
Reproduction

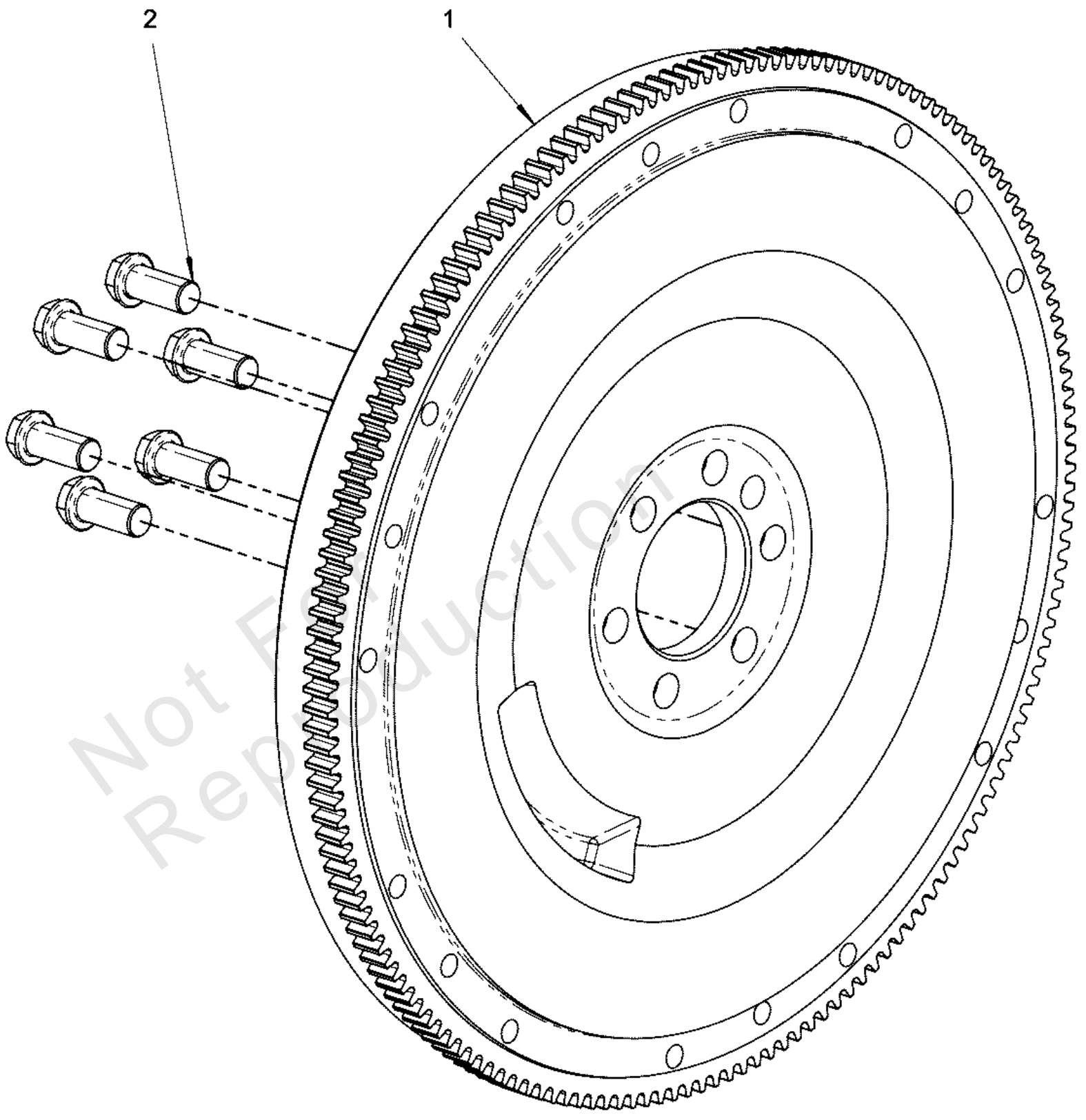
Footnotes:

Note:* Speak to your authorized Briggs & Stratton dealer. For dealers, speak to Briggs & Stratton Technical Support.

Engine Group - Flywheel

Note: Unless noted otherwise, use the standard torque specifications

Mfg. No: 076331-02



Engine Group - Flywheel

REF NO	PART NO	QTY	DESCRIPTION
1	-----	1	*FLYWHEEL -(*See footnote)
2	-----	6	*BOLT, FLYWHEEL -(*See footnote)

Not For
Reproduction

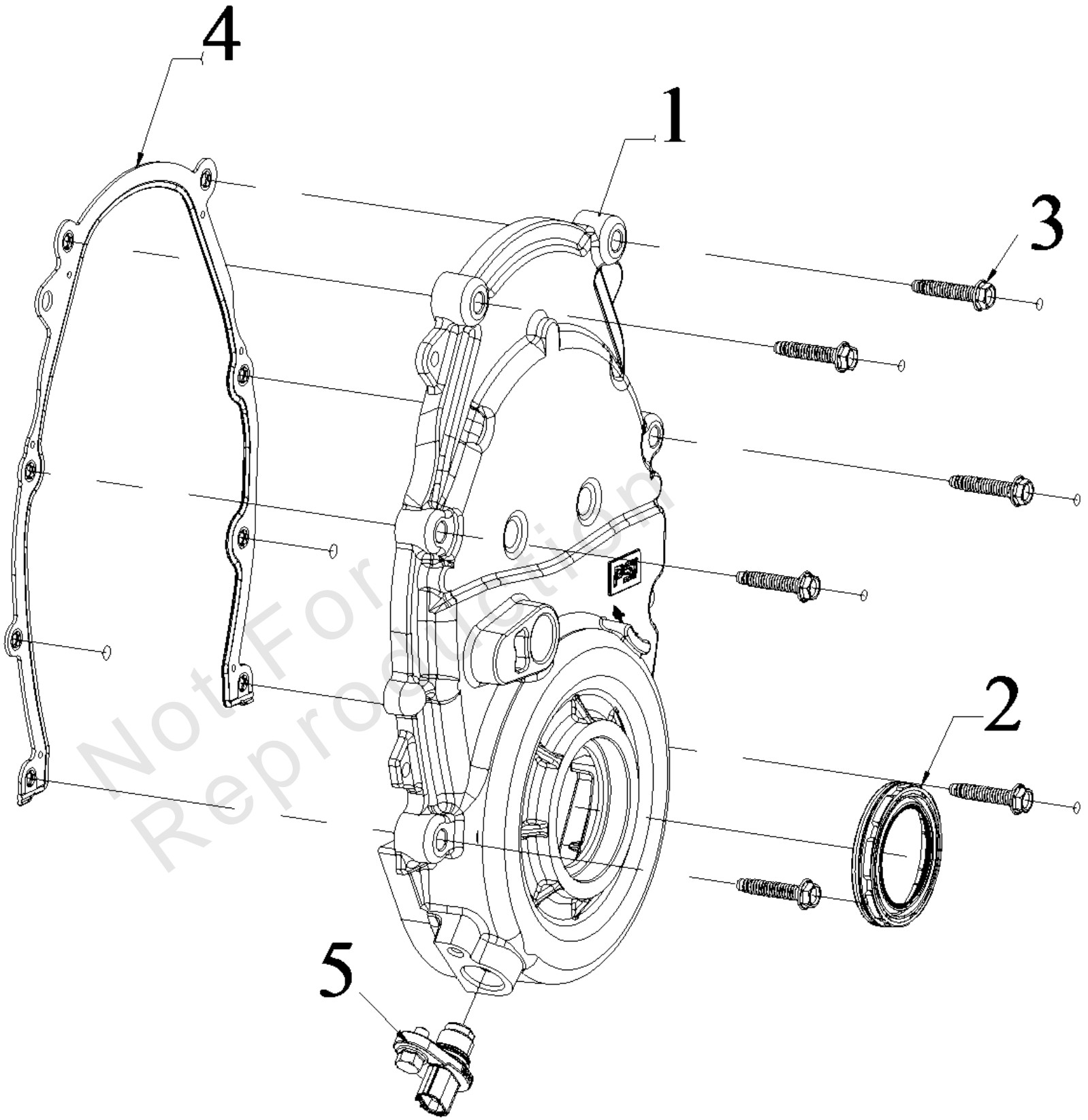
Footnotes:

Note:* Speak to your authorized Briggs & Stratton dealer. For dealers, speak to Briggs & Stratton Technical Support.

Engine Group - Front Cover

Note: Unless noted otherwise, use the standard torque specifications

Mfg. No: 076331-02



Engine Group - Front Cover

REF NO	PART NO	QTY	DESCRIPTION
1	80024751	1	COVER, FRONT COVER
2	770928	1	SEAL, ENGINE FRONT COVER
3	-----	6	*BOLT -(*See footnote)
4	80024978	1	GASKET, ENGINE FRONT COVER
5	80024742	1	SENSOR, CRANKSHAFT

Not For
Reproduction

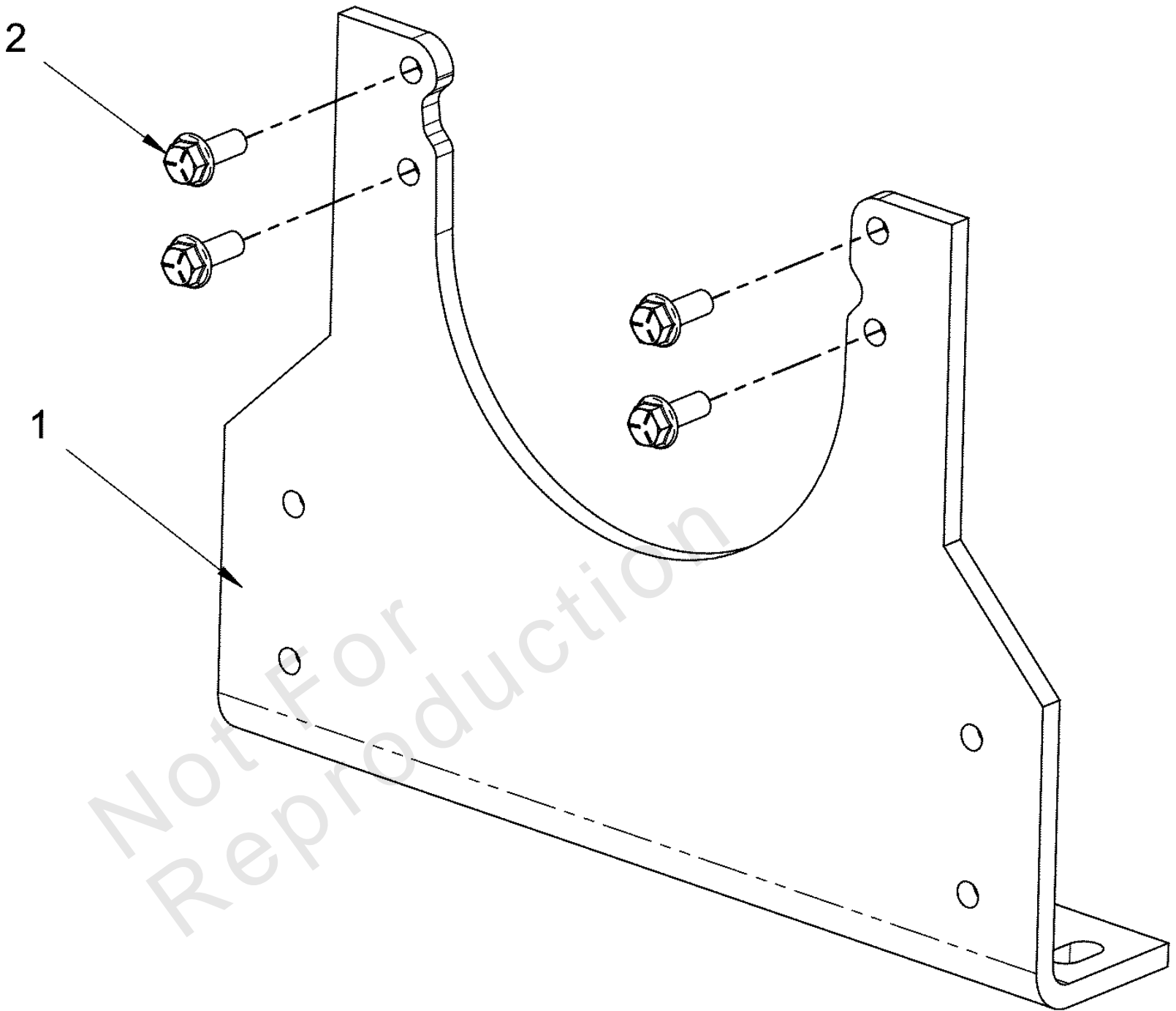
Footnotes:

Note:* Speak to your authorized Briggs & Stratton dealer. For dealers, speak to Briggs & Stratton Technical Support.

Engine Group - Front Pedestal Mount

Note: Unless noted otherwise, use the standard torque specifications

Mfg. No: 076331-02



Engine Group - Front Pedestal Mount

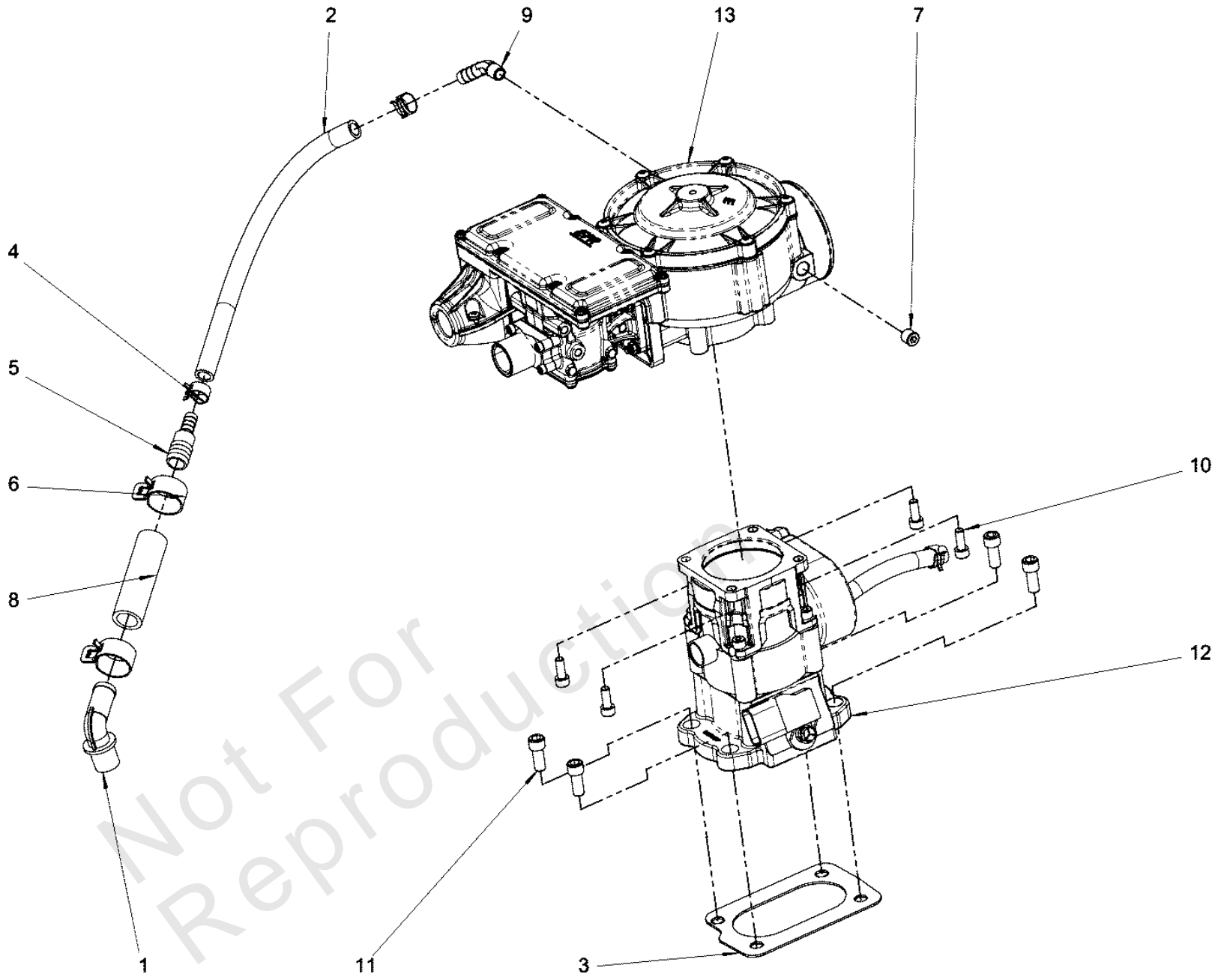
REF NO	PART NO	QTY	DESCRIPTION
1	-----		* PEDESTAL MOUNT -(*See footnote)
2	-----		* BOLT -(*See footnote)

Not For Reproduction

Engine Group - Fuel

Note: Unless noted otherwise, use the standard torque specifications

Mfg. No: 076331-02



Engine Group - Fuel

REF NO	PART NO	QTY	DESCRIPTION
1	708978	1	ELBOW, PCV
2	708980	1	HOSE, FUEL, 22"
3	770948	1	GASKET, ADAPTER
4	708992	2	SPACER
5	708861	1	ADAPTER
6	708983	2	CLAMP, HOSE
7	-----	1	*PLUG -(*See footnote)
8	708986	1	HOSE, VAPOR, 3"
9	80024745	1	FITTING
10	-----	4	*BOLT -(*See footnote)
11	-----	4	*BOLT -(*See footnote)
12	80024759	1	THROTTLE BODY ASSEMBLY
13	80024760	1	EPR and MIXER ASSEMBLY
--	80024761	1	FUEL ASSEMBLY

Not For
Reproduction

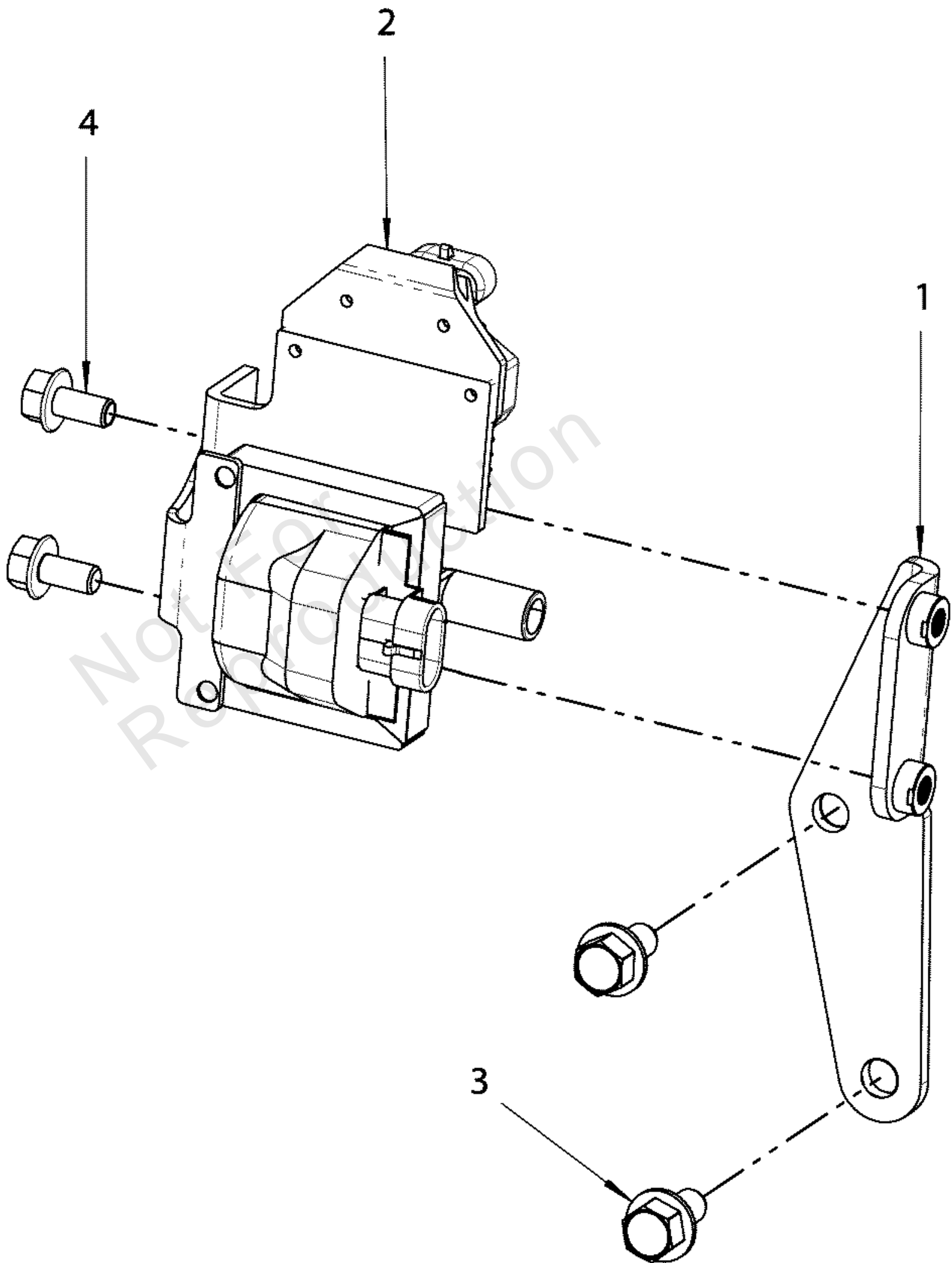
Footnotes:

Note:* Speak to your authorized Briggs & Stratton dealer. For dealers, speak to Briggs & Stratton Technical Support.

Engine Group - Ignition Coil

Note: Unless noted otherwise, use the standard torque specifications

Mfg. No: 076331-02



Engine Group - Ignition Coil

REF NO	PART NO	QTY	DESCRIPTION
1	-----	1	BRACKET -(*See footnote)
2	770940	1	COIL, IGNITION
3	-----	2	BOLT -(*See footnote)
4	-----	2	SCREW -(*See footnote)

Not For
Reproduction

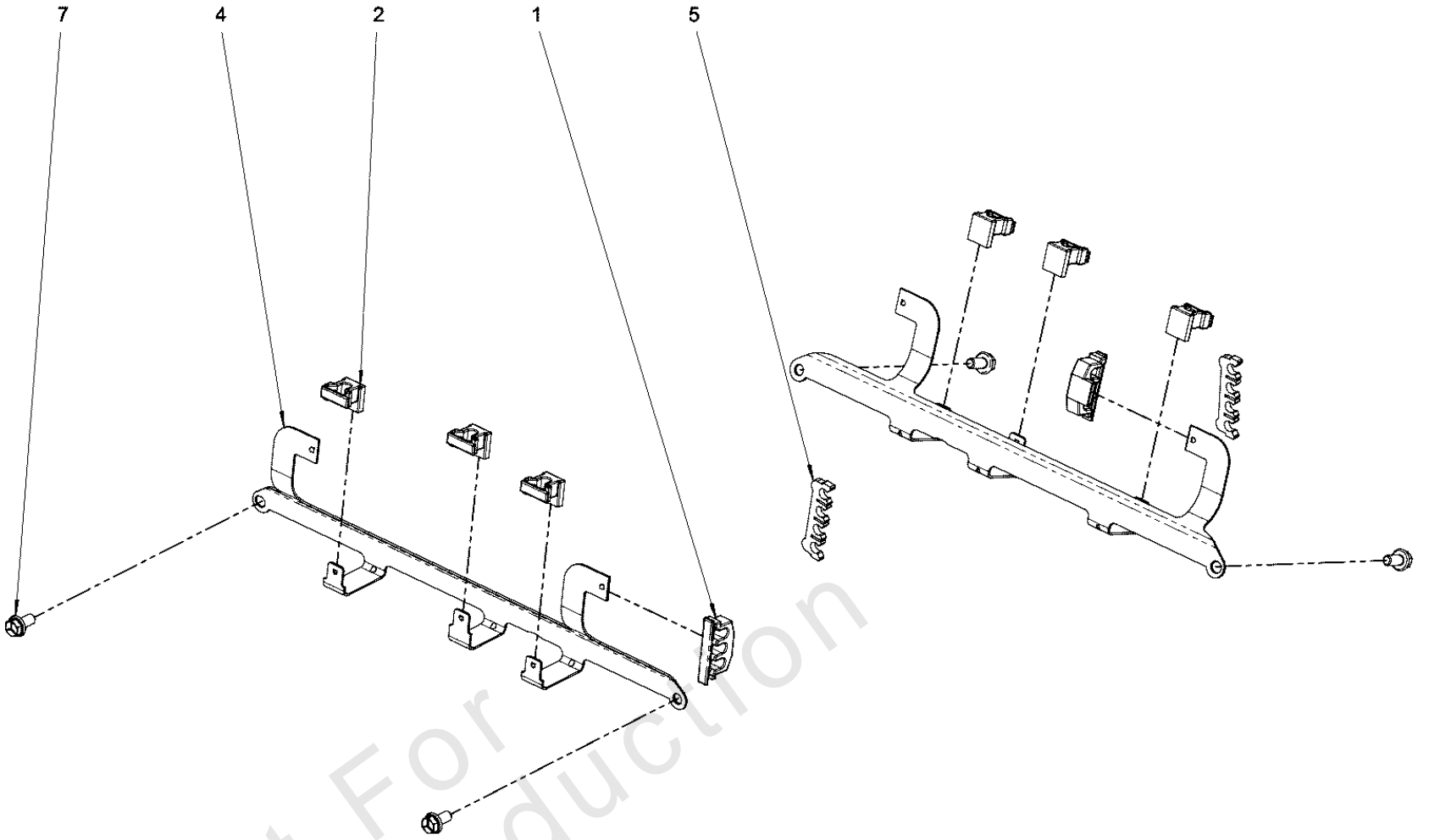
Footnotes:

Note:* Speak to your authorized Briggs & Stratton dealer. For dealers, speak to Briggs & Stratton Technical Support.

Engine Group - Ignition Wires

Note: Unless noted otherwise, use the standard torque specifications

Mfg. No: 076331-02



Engine Group - Ignition Wires

REF NO	PART NO	QTY	DESCRIPTION
1	80024730	2	RETAINER, WIRE #3
2	80024734	6	RETAINER, WIRE #1
3	80024735	1	WIRE, SPARK PLUG -(Not Illustrated)
4	-----	2	SUPPORT, S/P WIRE -(*See footnote)
5	80024736	2	RETAINER, WIRE #4
6	80024737	1	LOOM, SPLIT -(Not Illustrated)
7	-----	4	BOLT -(*See footnote)
8	770935	6	SPARK PLUG -(Not Illustrated)

Not For
Reproduction

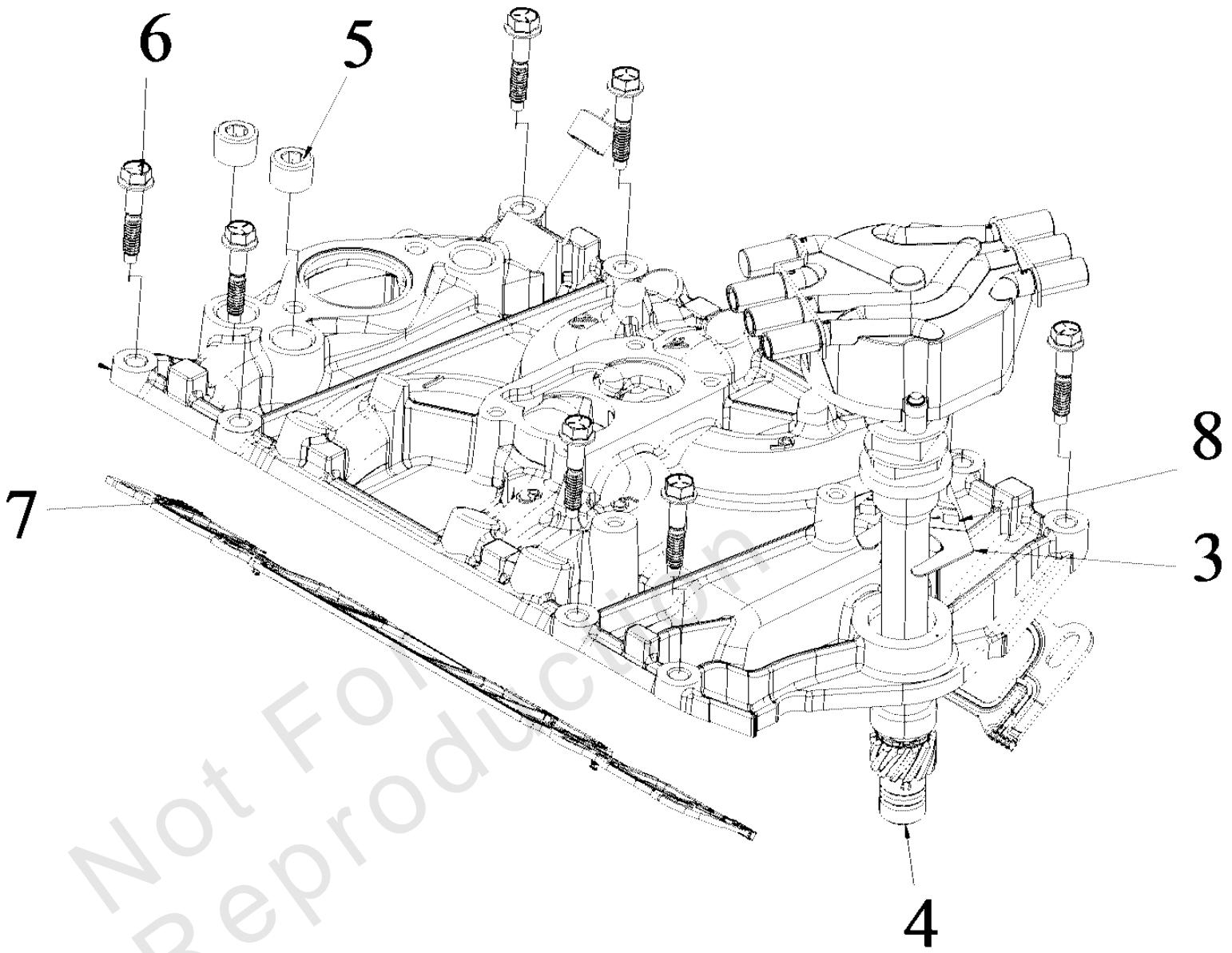
Footnotes:

Note:* Speak to your authorized Briggs & Stratton dealer. For dealers, speak to Briggs & Stratton Technical Support.

Engine Group - Intake Manifold & Distributor

Note: Unless noted otherwise, use the standard torque specifications

Mfg. No: 076331-02



Engine Group - Intake Manifold & Distributor

REF NO	PART NO	QTY	DESCRIPTION
3	770920	1	YOLK, DIST ALGMT
4	770921	1	DISTRIBUTOR
5	-----	3	PLUG, 1/2" NPT -(*See footnote)
6	-----	8	*BOLT, INTAKE MANIFOLD -(*See footnote)
7	80024753	2	GASKET, INTAKE MANIFOLD
8	80024754	1	MANIFOLD, INTAKE

Not For
Reproduction

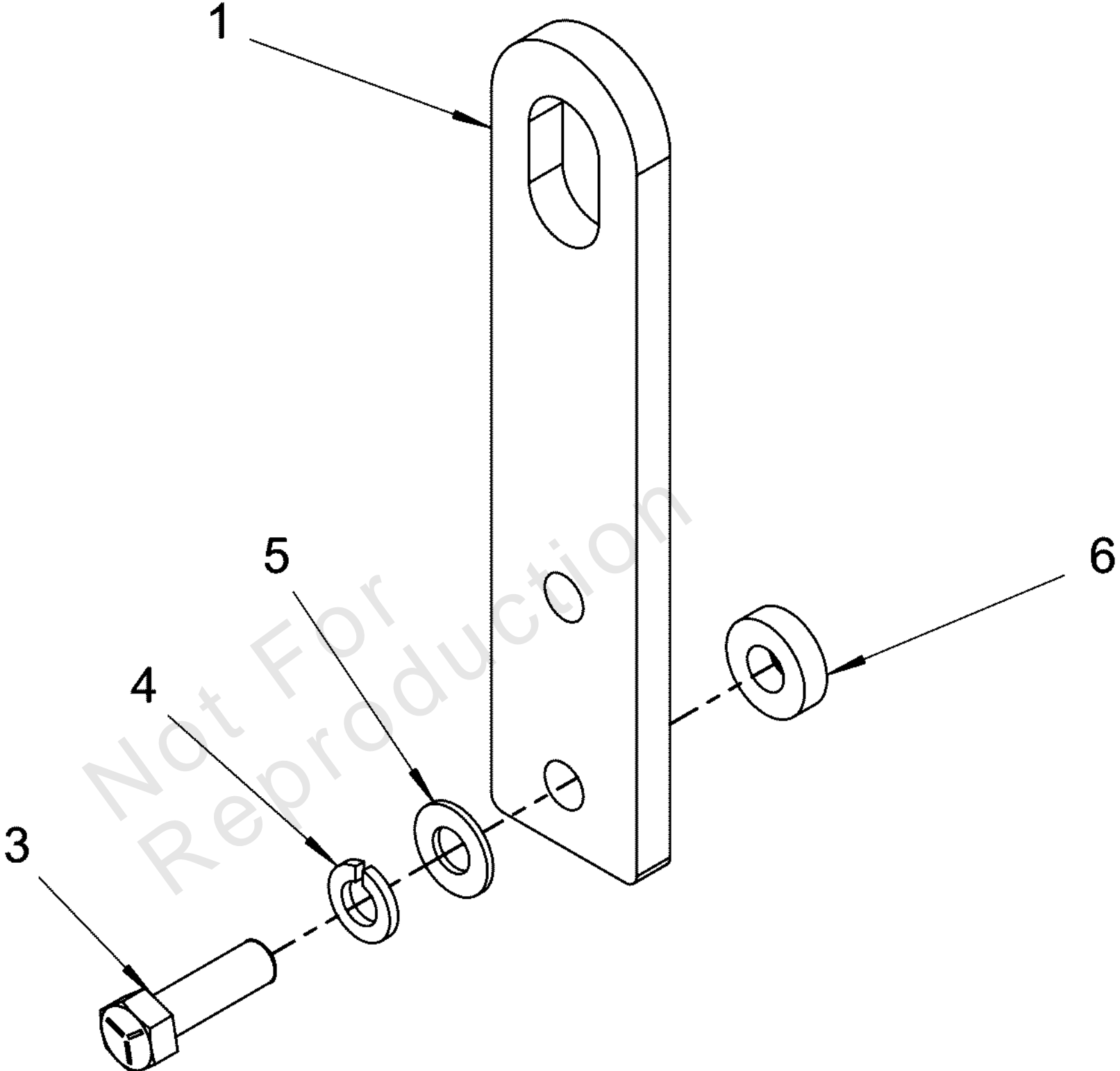
Footnotes:

Note:* Speak to your authorized Briggs & Stratton dealer. For dealers, speak to Briggs & Stratton Technical Support.

Engine Group - Lift Eye & Belt

Note: Unless noted otherwise, use the standard torque specifications

Mfg. No: 076331-02



Engine Group - Lift Eye & Belt

REF NO	PART NO	QTY	DESCRIPTION
1	-----	1	LIFTING EYE -(*See footnote)
2	770038		BELT, ALTERNATOR -(Not Illustrated)
3	-----	1	BOLT -(*See footnote)
4	-----	1	WASHER, LOCK -(*See footnote)
5	-----	1	WASHER, FLAT -(*See footnote)
6	-----	1	WASHER -(*See footnote)

Not For
Reproduction

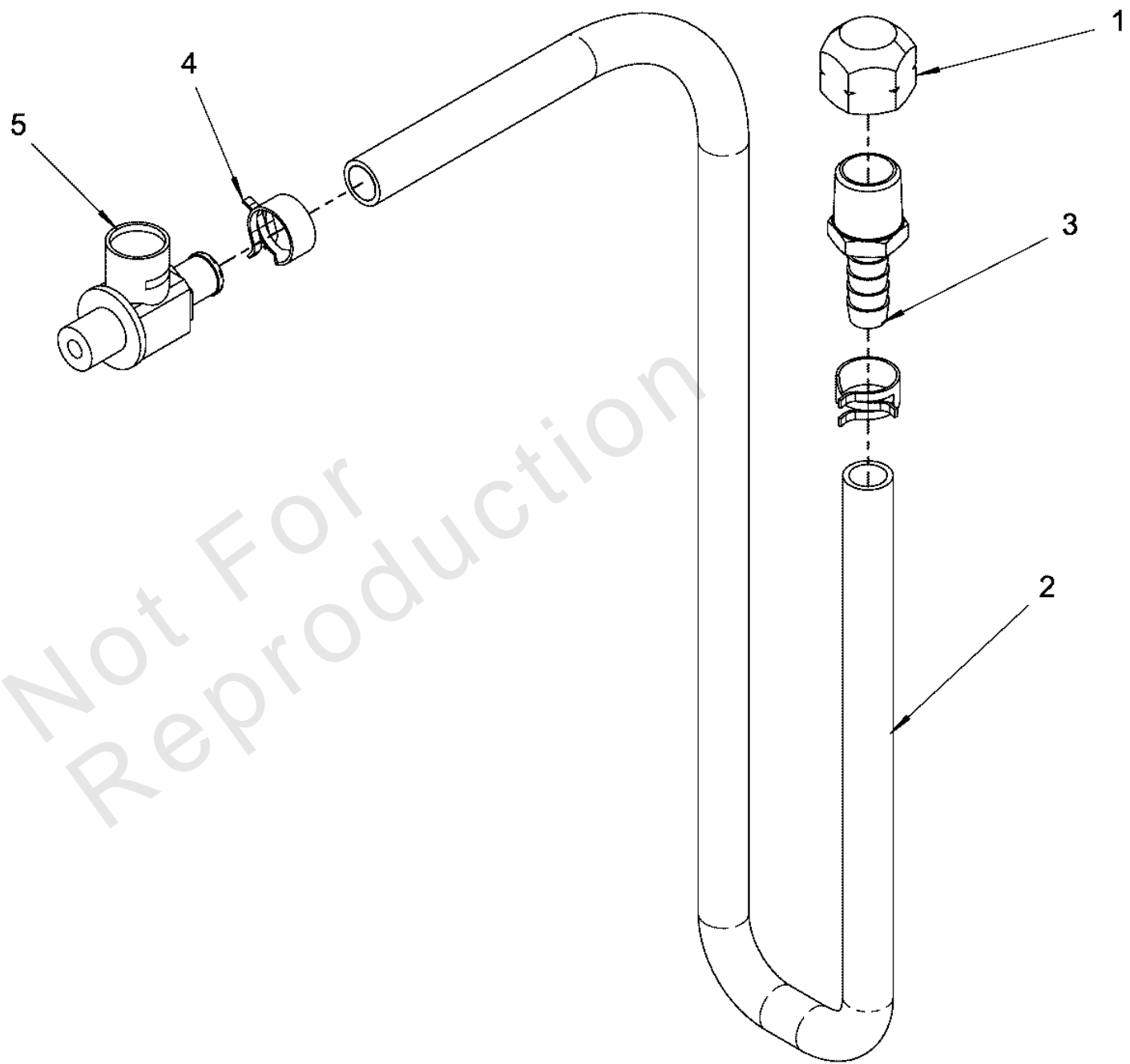
Footnotes:

Note:* Speak to your authorized Briggs & Stratton dealer. For dealers, speak to Briggs & Stratton Technical Support.

Engine Group - Oil Drain

Note: Unless noted otherwise, use the standard torque specifications

Mfg. No: 076331-02



Engine Group - Oil Drain

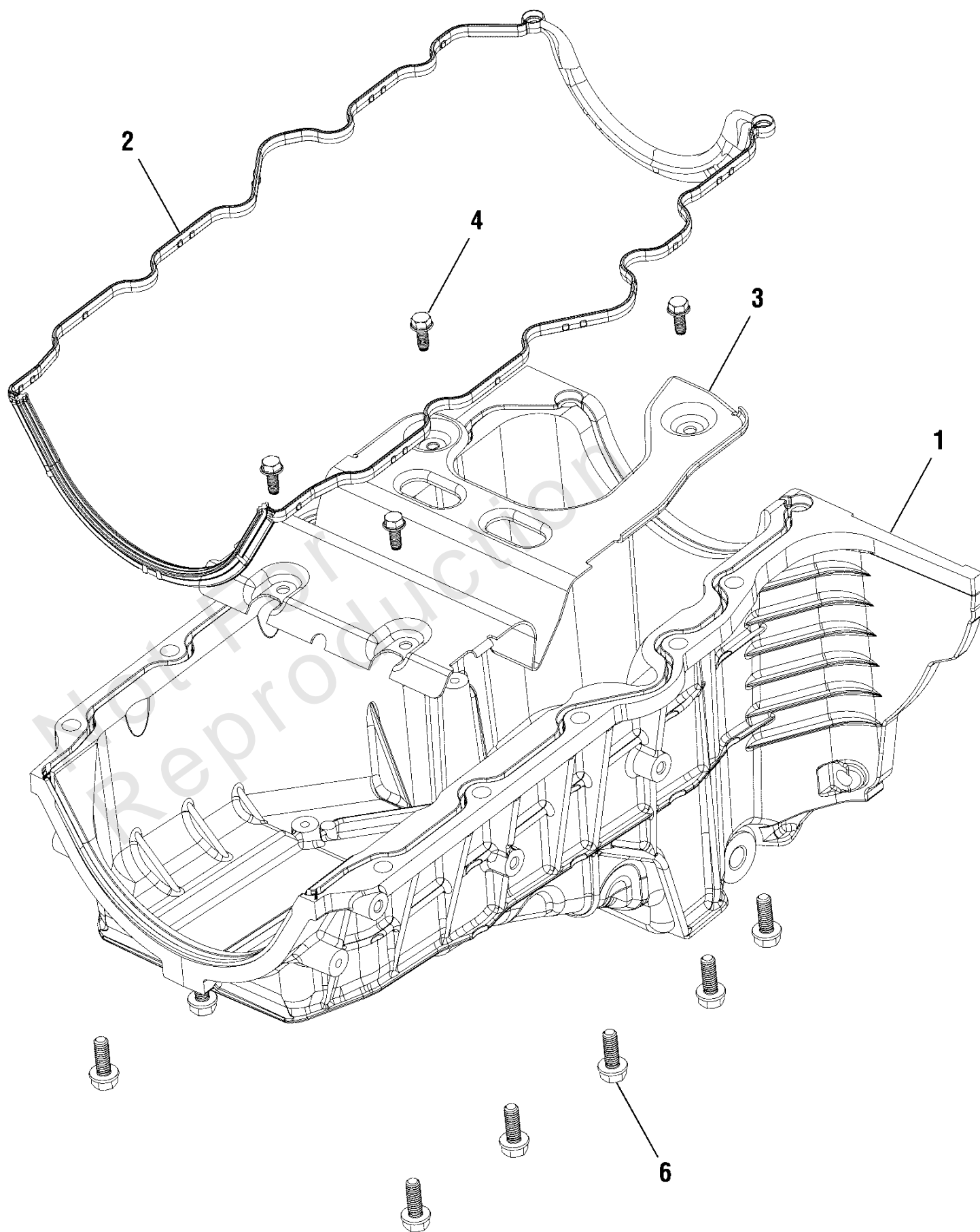
REF NO	PART NO	QTY	DESCRIPTION
1	-----	1	CAP
2	708980	1	HOSE, FUEL, 22"
3	-----	1	FITTING
4	708982	2	CLAMP
5	708994	1	VALVE, OIL DRAIN
--	80024758	1	OIL DRAIN ASSEMBLY

Not For Reproduction

Engine Group - Oil Pan

Note: Unless noted otherwise, use the standard torque specifications

Mfg. No: 076331-02



Engine Group - Oil Pan

REF NO	PART NO	QTY	DESCRIPTION
1	80024749	1	PAN, OIL
2	770926	1	SEAL, OIL PAN
3	-----	1	*BAFFLE, OIL PAN -(*See footnote)
4	-----	4	*BOLT -(*See footnote)
6	-----	10	*BOLT -(*See footnote)

Not For
Reproduction

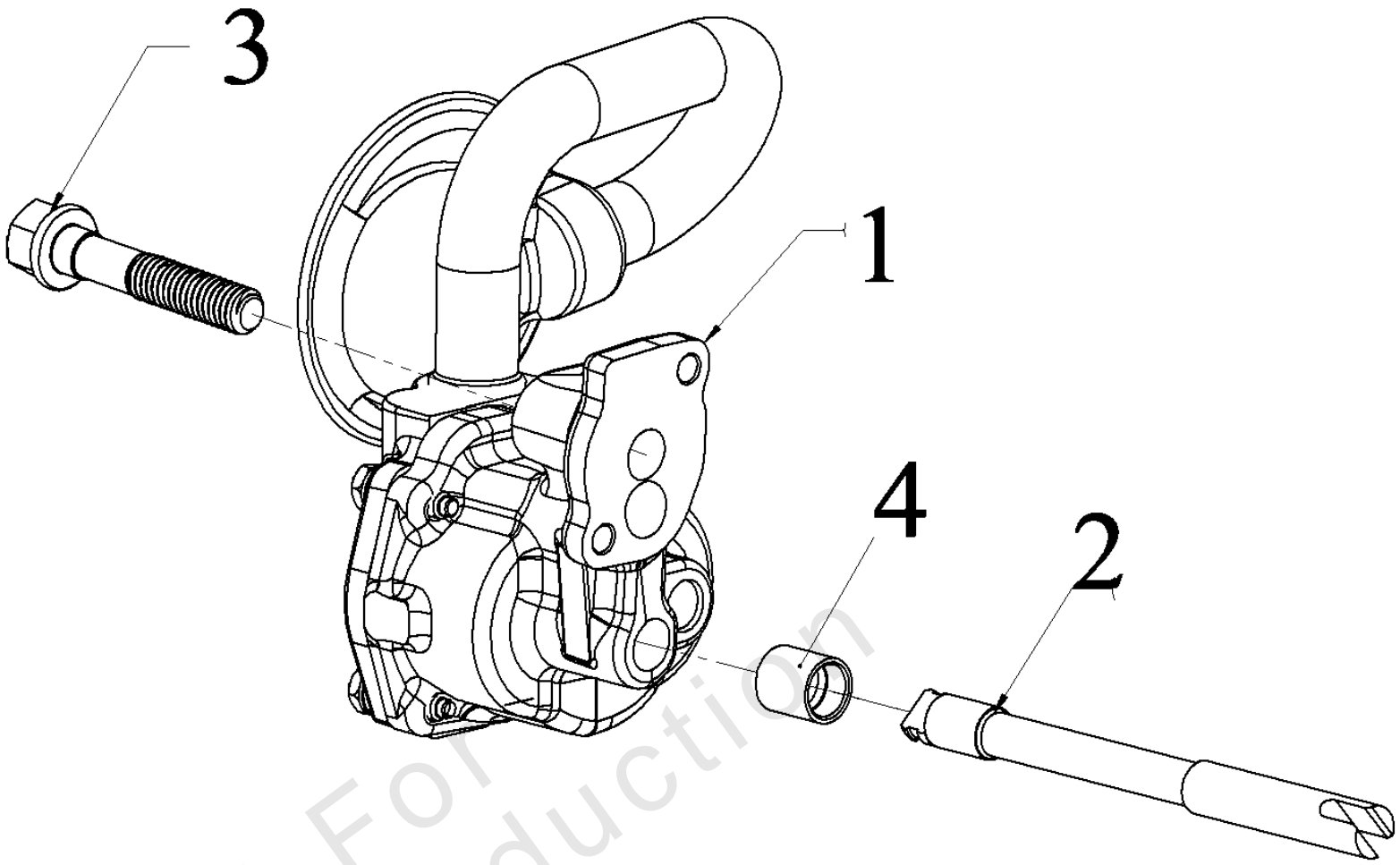
Footnotes:

Note:* Speak to your authorized Briggs & Stratton dealer. For dealers, speak to Briggs & Stratton Technical Support.

Engine Group - Oil Pump

Note: Unless noted otherwise, use the standard torque specifications

Mfg. No: 076331-02



Engine Group - Oil Pump

REF NO	PART NO	QTY	DESCRIPTION
1	770924	1	PUMP, OIL
2	-----	1	*SHAFT, OIL PUMP DRIVE -(*See footnote)
3	-----	1	*BOLT, OIL PUMP -(*See footnote)
4	-----	1	*RETAINER, OIL PUMP SHAFT -(*See footnote)

Not For
Reproduction

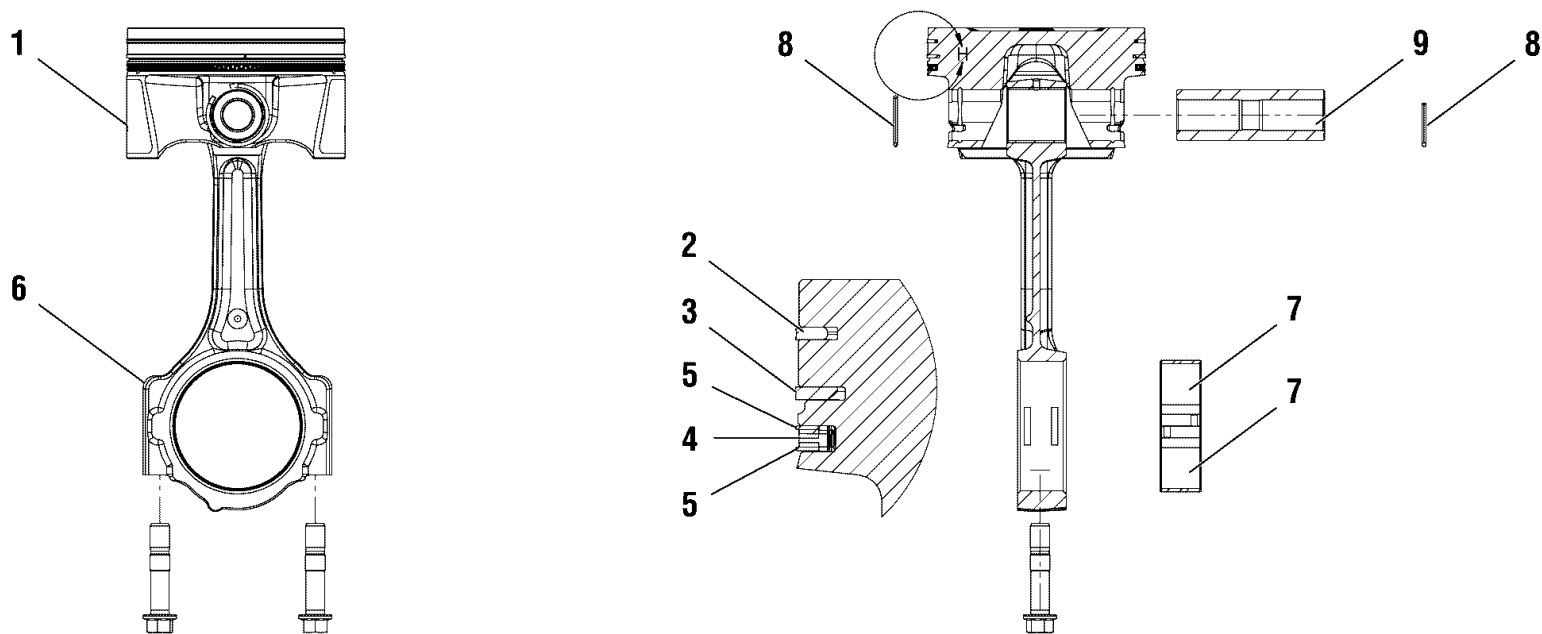
Footnotes:

Note:* Speak to your authorized Briggs & Stratton dealer. For dealers, speak to Briggs & Stratton Technical Support.

Engine Group - Piston & Connecting Rod

Note: Unless noted otherwise, use the standard torque specifications

Mfg. No: 076331-02



Not For
Reproduction

Engine Group - Piston & Connecting Rod

REF NO	PART NO	QTY	DESCRIPTION
1	-----	6	*PISTON -(*See footnote)
2	-----	1	*SET, PISTON RING -(*See footnote)
3	-----	1	*SET, PISTON RING -(*See footnote)
4	-----	1	*SET, PISTON RING -(*See footnote)
5	-----	1	*SET, PISTON RING -(*See footnote)
6	-----	6	*ROD, CONNECTING -(*See footnote)
7	-----	1	*BEARING SET, C/ROD -(*See footnote)
8	-----	6	*CLIP, PISTON -(*See footnote)
9	-----	6	*PIN, PISTON -(*See footnote)

Not For
Reproduction

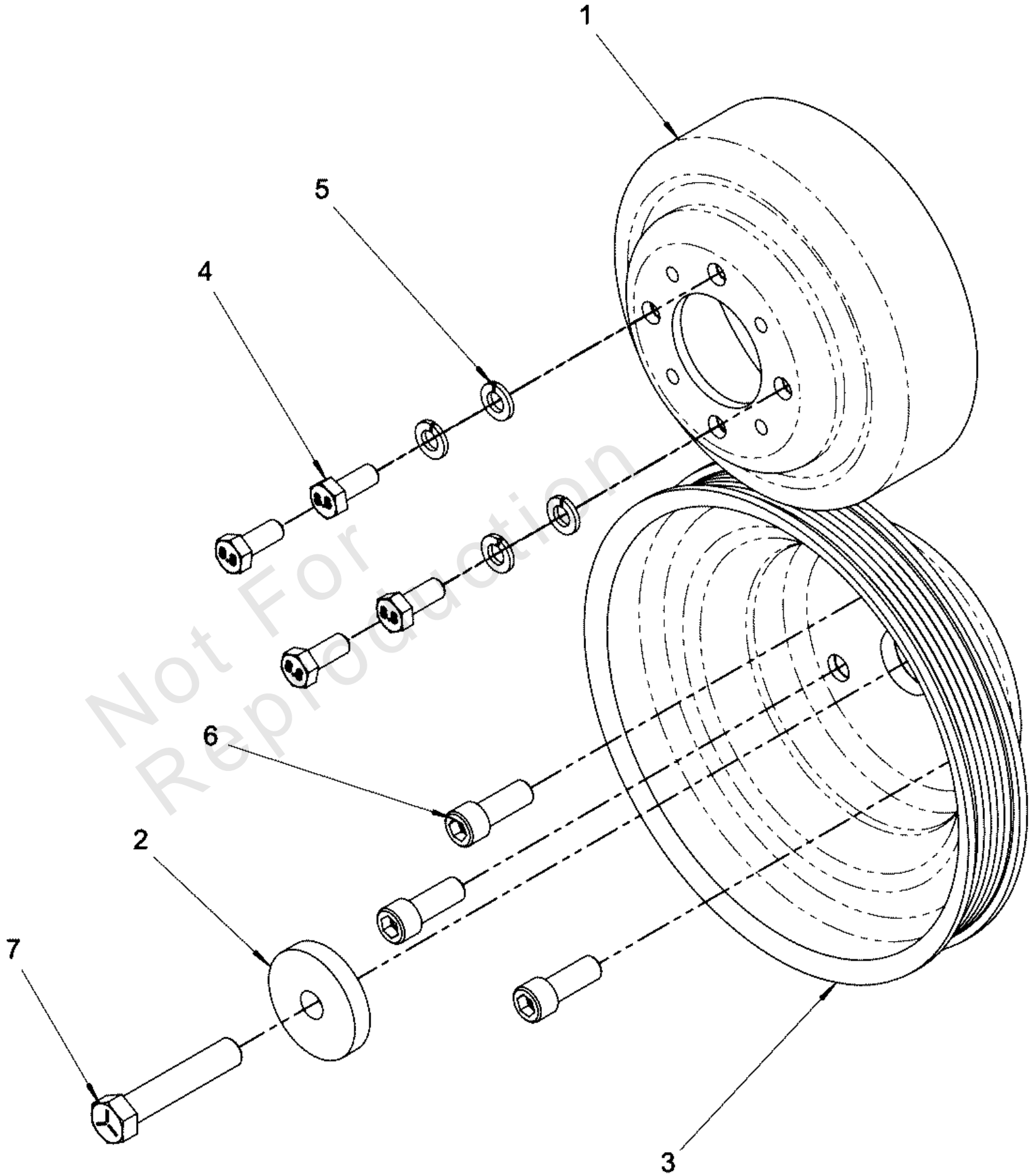
Footnotes:

Note:* Speak to your authorized Briggs & Stratton dealer. For dealers, speak to Briggs & Stratton Technical Support.

Engine Group - Pulleys

Note: Unless noted otherwise, use the standard torque specifications

Mfg. No: 076331-02



Engine Group - Pulleys

REF NO	PART NO	QTY	DESCRIPTION
1	708973	1	PULLEY, FAN
2	-----	1	WASHER, C/SHAFT -(*See footnote)
3	708974	1	PULLEY, CRANK
4	-----	4	BOLT -(*See footnote)
5	-----	4	WASHER, LOCK -(*See footnote)
6	-----	3	BOLT -(*See footnote)
7	-----	1	BOLT -(*See footnote)

Not For
Reproduction

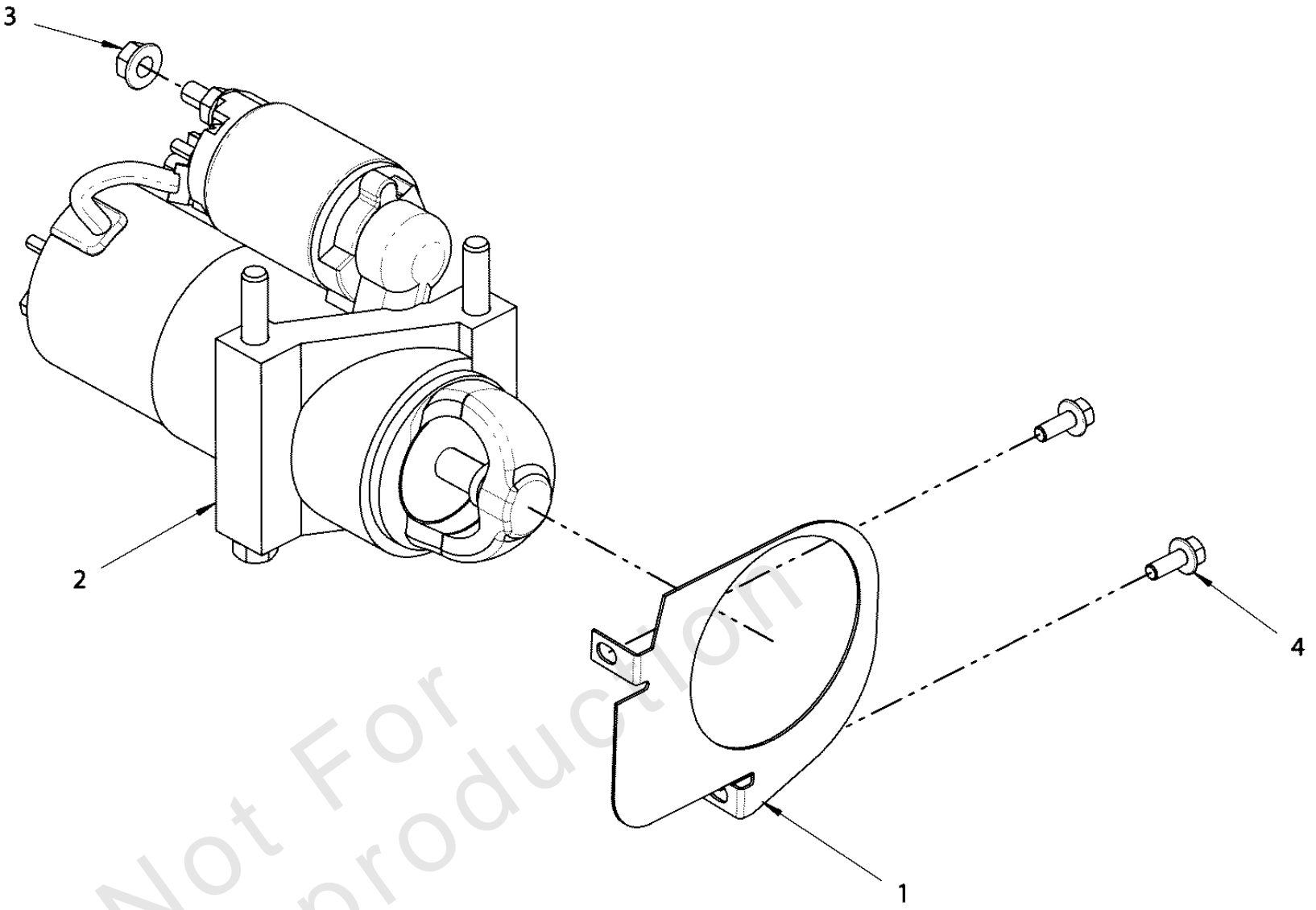
Footnotes:

Note:* Speak to your authorized Briggs & Stratton dealer. For dealers, speak to Briggs & Stratton Technical Support.

Engine Group - Starter

Note: Unless noted otherwise, use the standard torque specifications

Mfg. No: 076331-02



Engine Group - Starter

REF NO	PART NO	QTY	DESCRIPTION
1	-----	1	*COVER, STARTER MOUNT -(*See footnote)
2	770939	1	STARTER
3	-----	1	*NUT -(*See footnote)
4	-----	2	*BOLT -(*See footnote)

Not For
Reproduction

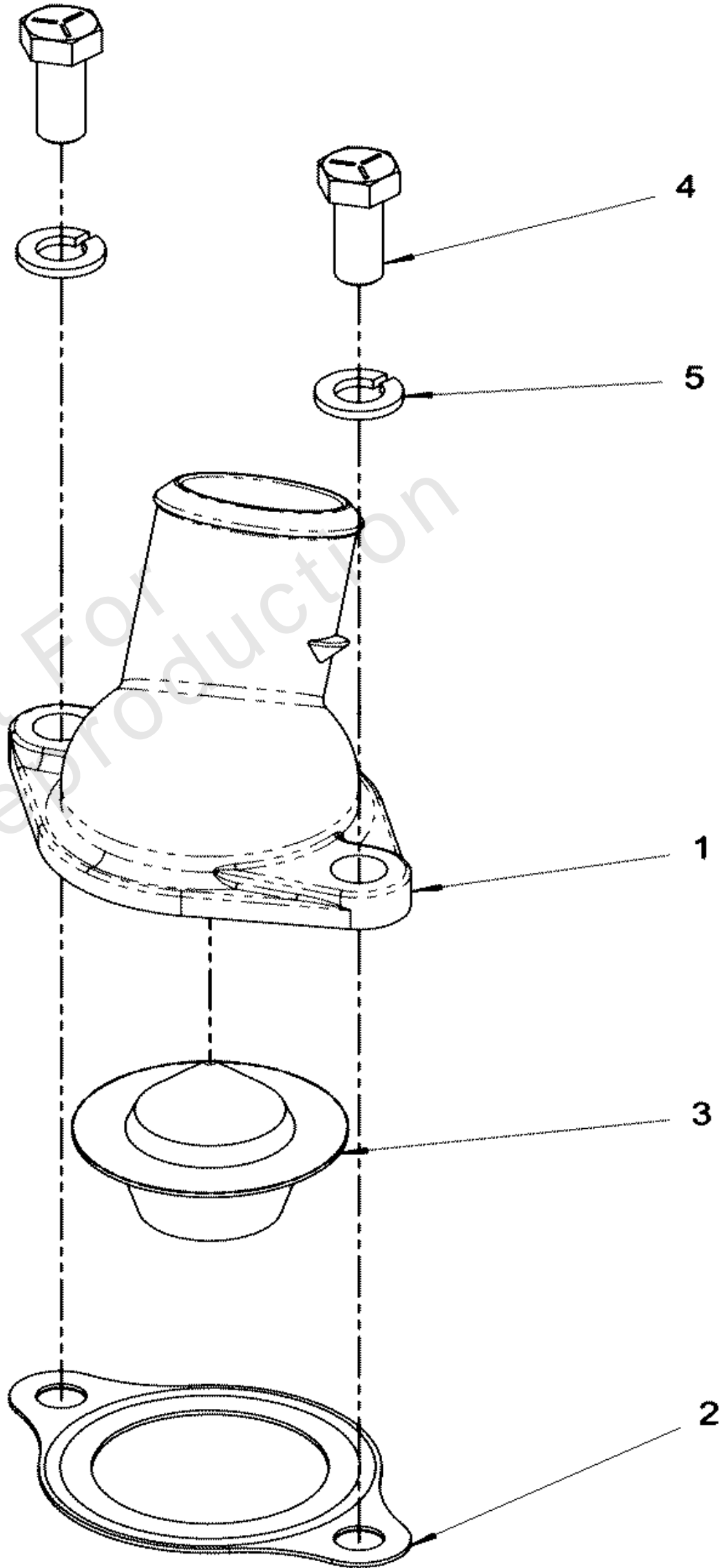
Footnotes:

Note:* Speak to your authorized Briggs & Stratton dealer. For dealers, speak to Briggs & Stratton Technical Support.

Engine Group - Thermostat

Note: Unless noted otherwise, use the standard torque specifications

Mfg. No: 076331-02



Engine Group - Thermostat

REF NO	PART NO	QTY	DESCRIPTION
1	708970	1	COVER, WATER OUTLET
2	708836	1	GASKET, TSTAT CVR
3	708835	1	THERMOSTAT
4	-----	2	*BOLT -(*See footnote)
5	-----	2	*WASHER -(*See footnote)
--	80024762	1	THERMOSTAT ASSEMBLY -(Incl. Ref. Nos. 1, 2, 3)

Not For
Reproduction

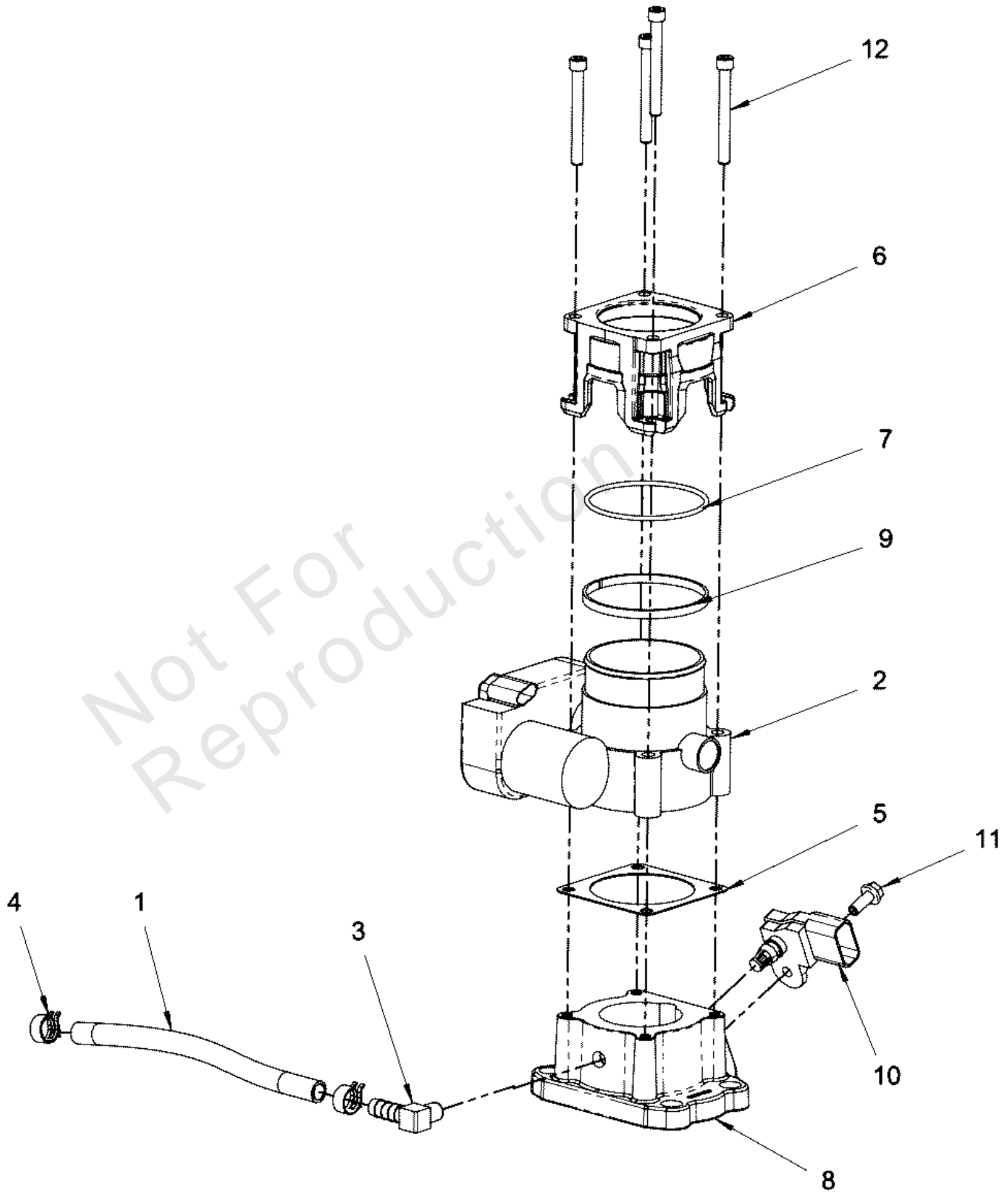
Footnotes:

Note:* Speak to your authorized Briggs & Stratton dealer. For dealers, speak to Briggs & Stratton Technical Support.

Engine Group - Throttle Body

Note: Unless noted otherwise, use the standard torque specifications

Mfg. No: 076331-02



Engine Group - Throttle Body

REF NO	PART NO	QTY	DESCRIPTION
1	708980	1	HOSE, FUEL, 22"
2	708981	1	BODY, THROTTLE
3	708860	1	FITTING
4	708982	2	CLAMP
5	708984	1	GSKT, MFLD/ADPTR
6	708987	1	ADAPTER, MIXER
7	708990	1	O-RING
8	80024732	1	ADAPTER, INTAKE
9	708992	1	SPACER
10	708863	1	SENSOR, T MAP
11	-----	1	*BOLT -(*See footnote)
12	-----	4	*BOLT -(*See footnote)
13	80024759		THROTTLE BODY ASSEMBLY

Not For
Reproduction

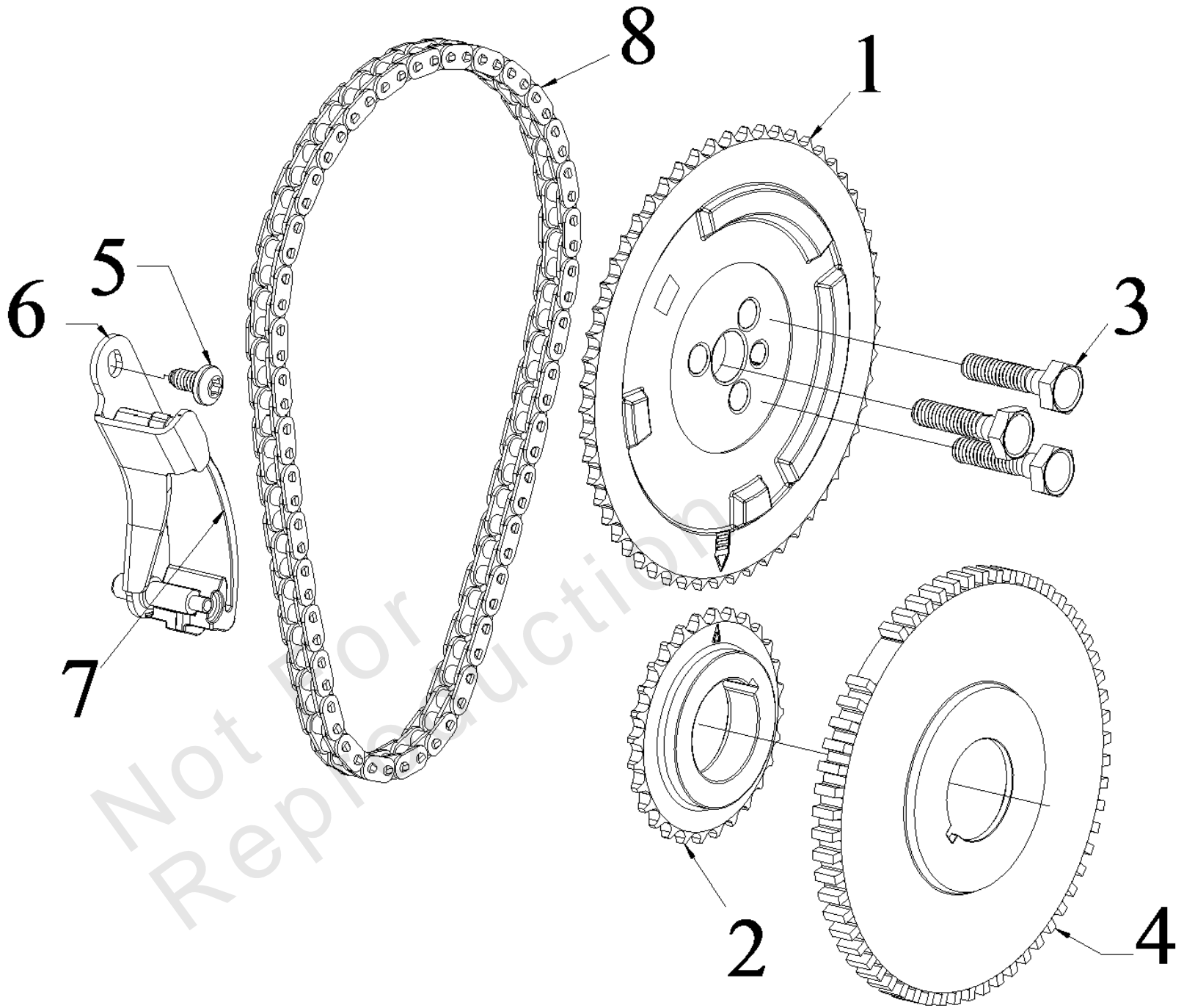
Footnotes:

Note:* Speak to your authorized Briggs & Stratton dealer. For dealers, speak to Briggs & Stratton Technical Support.

Engine Group - Timing Chain

Note: Unless noted otherwise, use the standard torque specifications

Mfg. No: 076331-02



Engine Group - Timing Chain

REF NO	PART NO	QTY	DESCRIPTION
1	-----	1	*KIT, TIMING CHAIN AND SPROCKETS -(*See footnote)
2	-----	1	*KIT, TIMING CHAIN AND SPROCKETS -(*See footnote)
3	-----	3	*BOLT, CAMSHAFT SPROCKET -(*See footnote)
4	-----	1	*RING, CRANKSHAFT POSITIONER -(*See footnote)
5	-----	1	*BOLT, BALANCER SHAFT RETAINER -(*See footnote)
6	-----	1	*GUIDE, TIMING CHAIN -(*See footnote)
7	-----	1	*GUIDE, TIMING CHAIN -(*See footnote)
8	-----	1	*KIT, TIMING CHAIN AND SPROCKETS -(*See footnote)

Not For
Reproduction

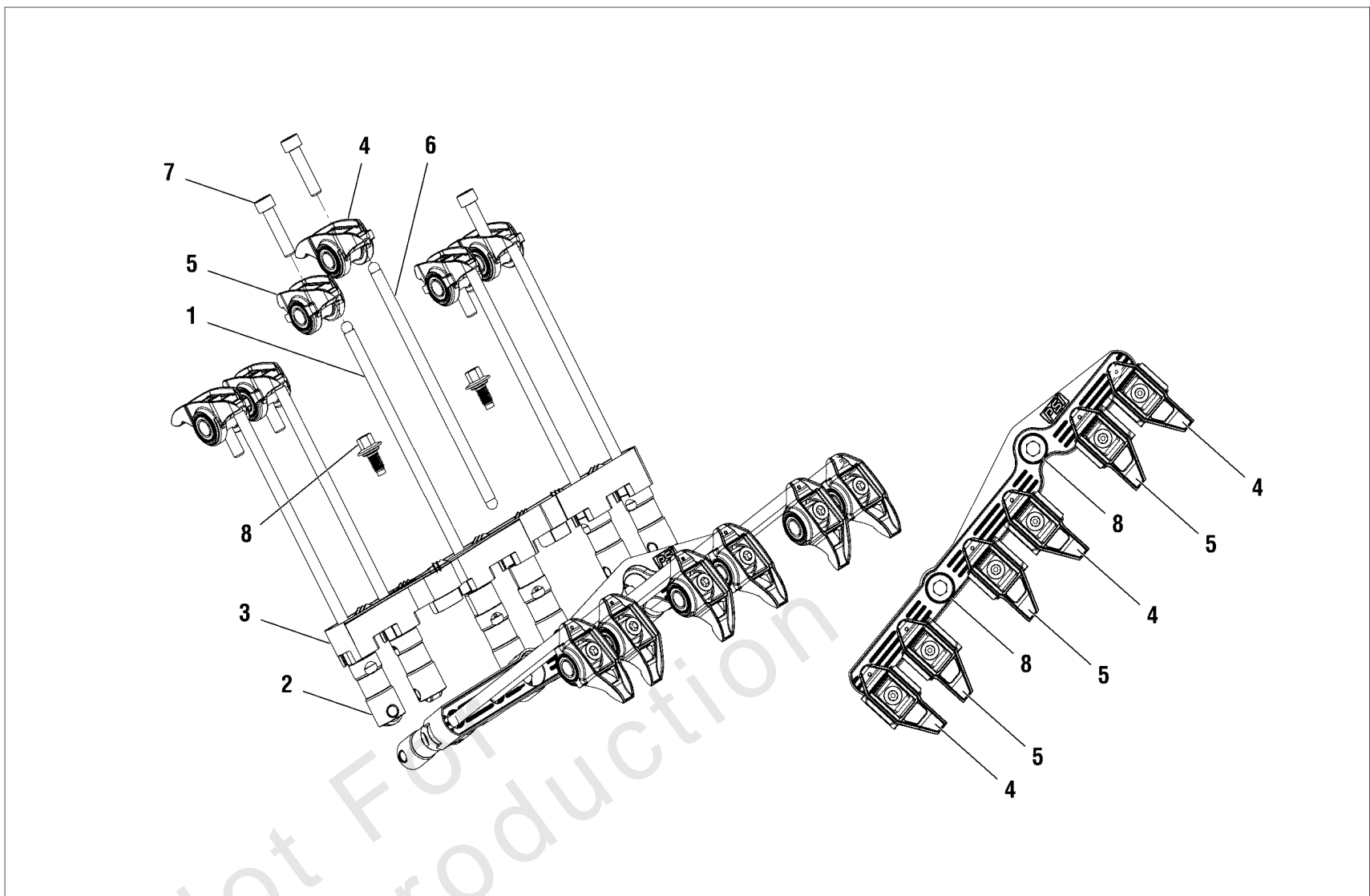
Footnotes:

Note:* Speak to your authorized Briggs & Stratton dealer. For dealers, speak to Briggs & Stratton Technical Support.

Engine Group - Valve Actuation

Note: Unless noted otherwise, use the standard torque specifications

Mfg. No: 076331-02



Engine Group - Valve Actuation

REF NO	PART NO	QTY	DESCRIPTION
1	-----	6	*PUSH ROD (INTAKE) -(*See footnote)
2	-----	12	*LIFTER -(*See footnote)
3	-----	2	*LIFTER, BUCKET -(*See footnote)
4	-----	6	*ROCKER ARM ASSEMBLY -(*See footnote)
5	-----	6	*ROCKER ARM -(*See footnote)
6	-----	6	*PUSH ROD (EXHAUST) -(*See footnote)
7	-----	12	*BOLT, ROCKER ARM -(*See footnote)
8	-----	4	*BOLT, LIFTER BUCKET -(*See footnote)

Not For
Reproduction

Footnotes:

Note:* Speak to your authorized Briggs & Stratton dealer. For dealers, speak to Briggs & Stratton Technical Support.

Engine Group - Valve Cover

REF NO	PART NO	QTY	DESCRIPTION
1	770907	2	GASKET, VALVE COVER
2	80024685	6	GROMMET
3	770909	1	PCV
4	80024687	1	VALVE COVER
5	80024688	1	VALVE COVER - OIL FILL
6	-----	6	BOLT, VALVE COVER -(*See footnote)
7	80024689	1	GROMMET
8	770857	1	OIL CAP
9	80024691	1	PIPE

Not For
Reproduction

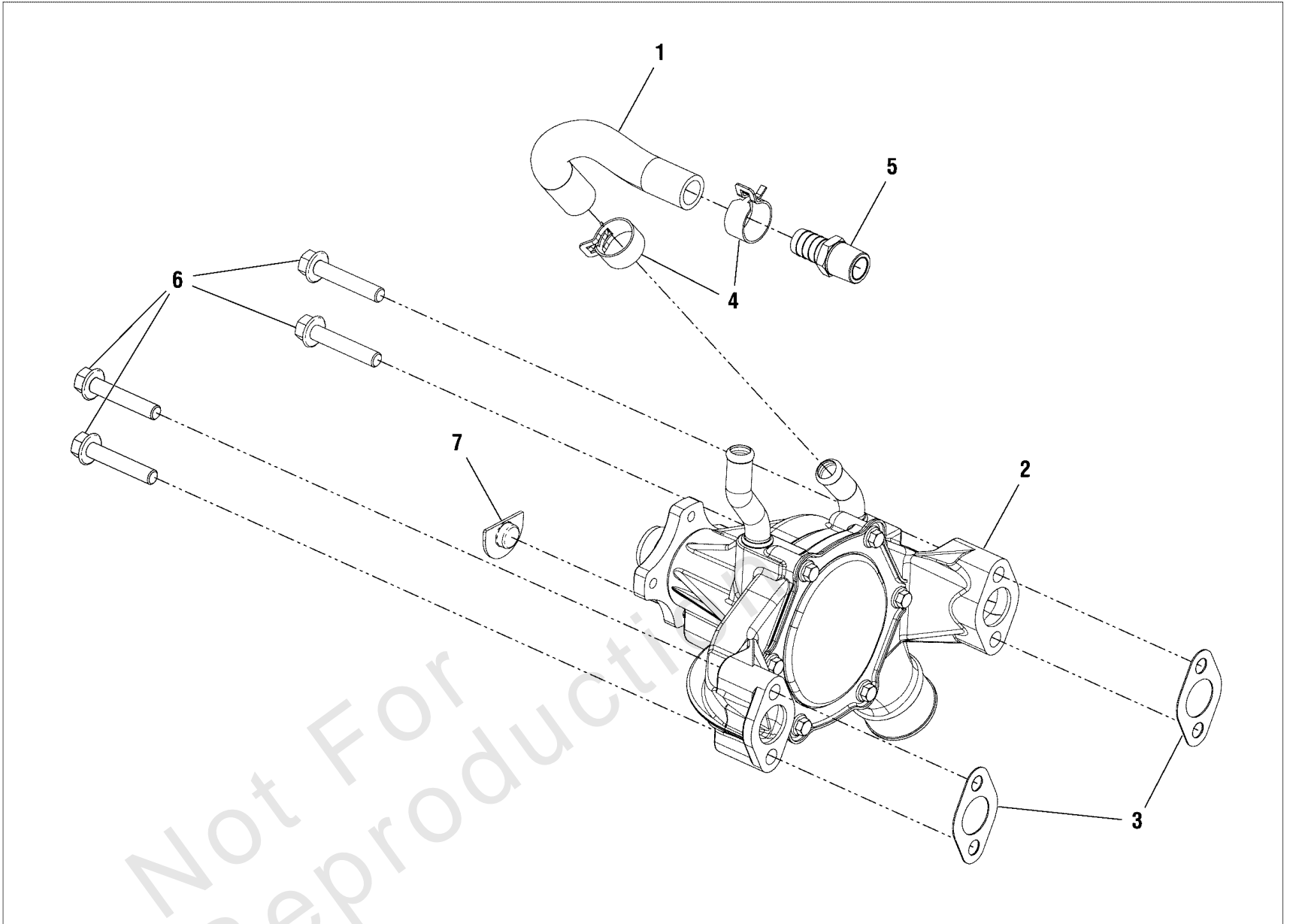
Footnotes:

Note:* Speak to your authorized Briggs & Stratton dealer. For dealers, speak to Briggs & Stratton Technical Support.

Engine Group - Water Pump

Note: Unless noted otherwise, use the standard torque specifications

Mfg. No: 076331-02



Engine Group - Water Pump

REF NO	PART NO	QTY	DESCRIPTION
1	770932	1	HOSE, W/PUMP
2	770933	1	PUMP, WATER
3	770934	2	GASKET, WATER PUMP
4	708983	2	CLAMP, HOSE
5	-----	1	*FITTING, BARB -(*See footnote)
6	-----	4	*BOLT -(*See footnote)
7	-----	1	*SEAL -(*See footnote)
--	80024763	1	WATER PUMP ASSEMBLY

Not For
Reproduction

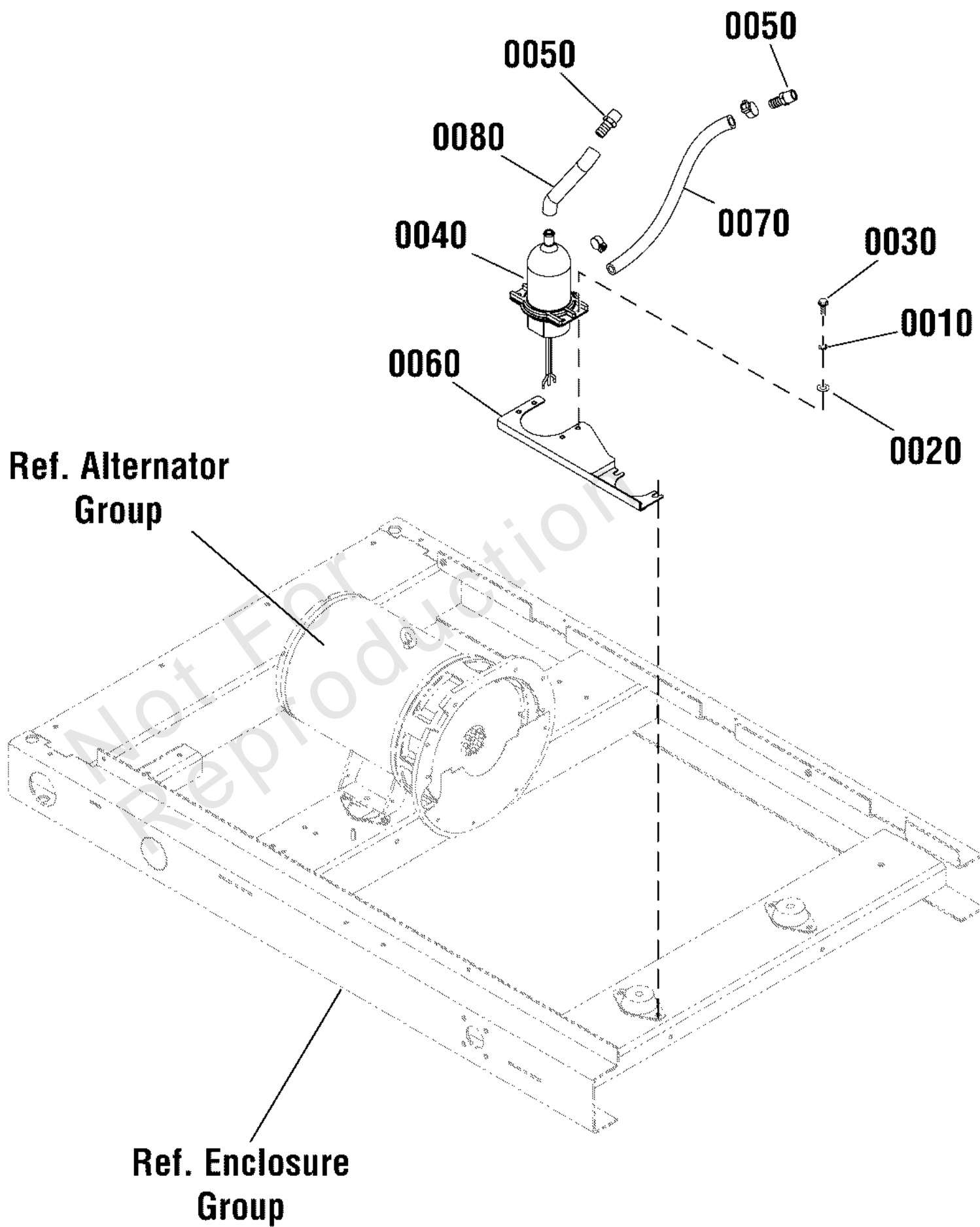
Footnotes:

Note:* Speak to your authorized Briggs & Stratton dealer. For dealers, speak to Briggs & Stratton Technical Support.

Heater Group

Note: Unless noted otherwise, use the standard torque specifications

Mfg. No: 076331-02



Heater Group

REF NO	PART NO	QTY	DESCRIPTION
0010	-----	4	* WASHER, Lock, 1/4 -(*See footnote)
0020	-----	4	* WASHER, 1/4 -(*See footnote)
0030	-----	4	* CAPSCREW, Hex Head, 1/4-20 x 3/4 -(*See footnote)
0040	708798	1	HEATER, 120V
0050	-----	2	BARB, 5/8", 1/2" MNPT -(Not a serviceable part)
0060	770680	1	BRACKET, Heater
0070	770504	1	HOSE, Heater, 5/8" x 19.5"
0080	770505	1	HOSE, Heater, 5/8" x 6.5"

Not For
Reproduction

Footnotes:

* Items without part numbers are common fasteners. Purchase locally.

Hardware Identification & Torque Specifications

Torque Specification Chart								
FOR STANDARD METRIC MACHINE HARDWARE (Tolerance ± 20%)								
Property Class	5.6		8.8		10.9		12.9	
	Class 5.6		Class 8.8		Class 10.9		Class 12.9	
Size Of Hardware	in/lbs	Nm.	in/lbs	Nm.	in/lbs	Nm.	in/lbs	Nm.
	ft/lbs		ft/lbs		ft/lbs		ft/lbs	
M3	5.88	.56	13.44	1.28	19.2	1.80	22.92	2.15
M4	13.44	1.28	30.72	2.90	43.44	4.10	52.56	4.95
M5	26.4	2.50	60.96	5.75	5.97	8.10	7.15	9.7
M6	44.64	4.3	7.3	9.9	10.3	14	12.1	16.5
M7	5.2	7.1	12.1	16.5	16.9	23	19.9	27
M8	7.7	10.5	17.7	24	25	34	29	40
M10	15	21	35	48	50	67	59	81
M12	26	36	61	83	86.2	117	103	140
M14	42	58	101	132	136	185	162	220
M16	64	88	147	200	210	285	250	340
M18	89	121	202	275	287	390	346	470
M20	126	171	290	390	405	550	486	660
M22	169	230	390	530	559	745	656	890
M24	217	295	497	375	708	960	840	1140
M27	320	435	733	995	1032	1400	1239	1680
M30	435	590	995	1350	1401	1900	1681	2280
M33	590	800	1349	1830	1902	2580	2278	3090
M36	759	1030	1740	2360	2441	3310	2935	3980
M39	988	1340	2249	3050	3163	4290	3798	5150

Torque Specification Chart						
FOR STANDARD MACHINE HARDWARE (Tolerance ± 20%)						
Hardware Grade	No Marks		SAE Grade 5		SAE Grade 8	
	SAE Grade 2		SAE Grade 5		SAE Grade 8	
Size Of Hardware	in/lbs	Nm.	in/lbs	Nm.	in/lbs	Nm.
	ft/lbs		ft/lbs		ft/lbs	
8-32	19	2.1	30	3.4	41	4.6
8-36	20	2.3	31	3.5	43	4.9
10-24	27	3.1	43	4.9	60	6.8
10-32	31	3.5	49	5.5	68	7.7
1/4-20	66	7.6	8	10.9	12	16.3
1/4-28	76	8.6	10	13.6	14	19.0
5/16-18	11	15.0	17	23.1	25	34.0
5/16-24	12	16.3	19	25.8	29	34.0
3/8-16	20	27.2	30	40.8	45	61.2
3/8-24	23	31.3	35	47.6	50	68.0
7/16-14	30	40.8	50	68.0	70	95.2
7/16-20	35	47.6	55	74.8	80	108.8
1/2-13	50	68.0	75	102.0	110	149.6
1/2-20	55	74.8	90	122.4	120	163.2
9/16-12	65	88.4	110	149.6	150	204.0
9/16-18	75	102.0	120	163.2	170	231.2
5/8-11	90	122.4	150	204.0	220	299.2
5/8-18	100	136	180	244.8	240	326.4
3/4-10	160	217.6	260	353.6	386	525.0
3/4-16	180	244.8	300	408.0	420	571.2
7/8-9	140	190.4	400	544.0	600	816.0
7/8-14	155	210.8	440	598.4	660	897.6
1-8	220	299.2	580	788.8	900	1,244.0
1-12	240	326.4	640	870.4	1,000	1,360.0

The guides and ruler furnished below are designed to help you select the appropriate hardware.

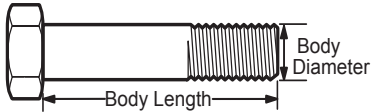


Nut, M8

Thread Diameter (mm)

Inside Diameter (in) Threads per inch

Nut, 1/2-16



Screw, M8- 1.25 x 25

Thread Diameter (mm) Distance between threads (mm) Body Length (mm)

Body Diameter Threads per inch Body Length (in)

Screw, 1/2- 16 x 2



Standard Hardware Sizing

When a washer or nut is identified as 1/2" (M8), this is the *Nominal size*, meaning the *inside diameter* is 1/2 inch (8mm metric thread diameter); if a second number is present it represents the *threads per inch* (distance between threads).

When bolt or capscrew is identified as 1/2 - 16 x 2" (M8 - 1.25 x 50), this means the *Nominal size*, or body diameter is 1/2 inch (8mm metric thread diameter), the second number, 16, represents the *threads per inch*, (*distance between threads*). The final number is the body length of the bolt or screw, 2 inches (50mm).

NOTES

- These torque values are to be used for all hardware excluding: locknuts, self-tapping screws, thread forming screws, sheet metal screws and socket head setscrews.
- Recommended seating torque values for locknuts:
 - for prevailing torque locknuts - use 65% of grade 5 torques.
 - for flange whizlock nuts and screws - use 135% of grade 5 torques.
- Unless otherwise noted on assembly drawings, all torque values must meet this specification.

Common Hardware Types

Hex Head Capscrew



Washer



Carriage Bolt



Hex Nut

Wrench & Fastener Size Guide

1/4" Bolt or Nut Wrench—7/16"	5/16" Bolt or Nut Wrench—1/2"	3/8" Bolt or Nut Wrench—9/16"	7/16" Bolt or Nut Wrench (Bolt)—5/8" Wrench (Nut)—11/16"	1/2" Bolt or Nut Wrench—3/4"
M6 Bolt or Nut Wrench—10mm	M8 Bolt or Nut Wrench—13mm	M10 Bolt or Nut Wrench—17mm	M12 Bolt or Nut Wrench—19mm	M14 Bolt or Nut Wrench—22mm

